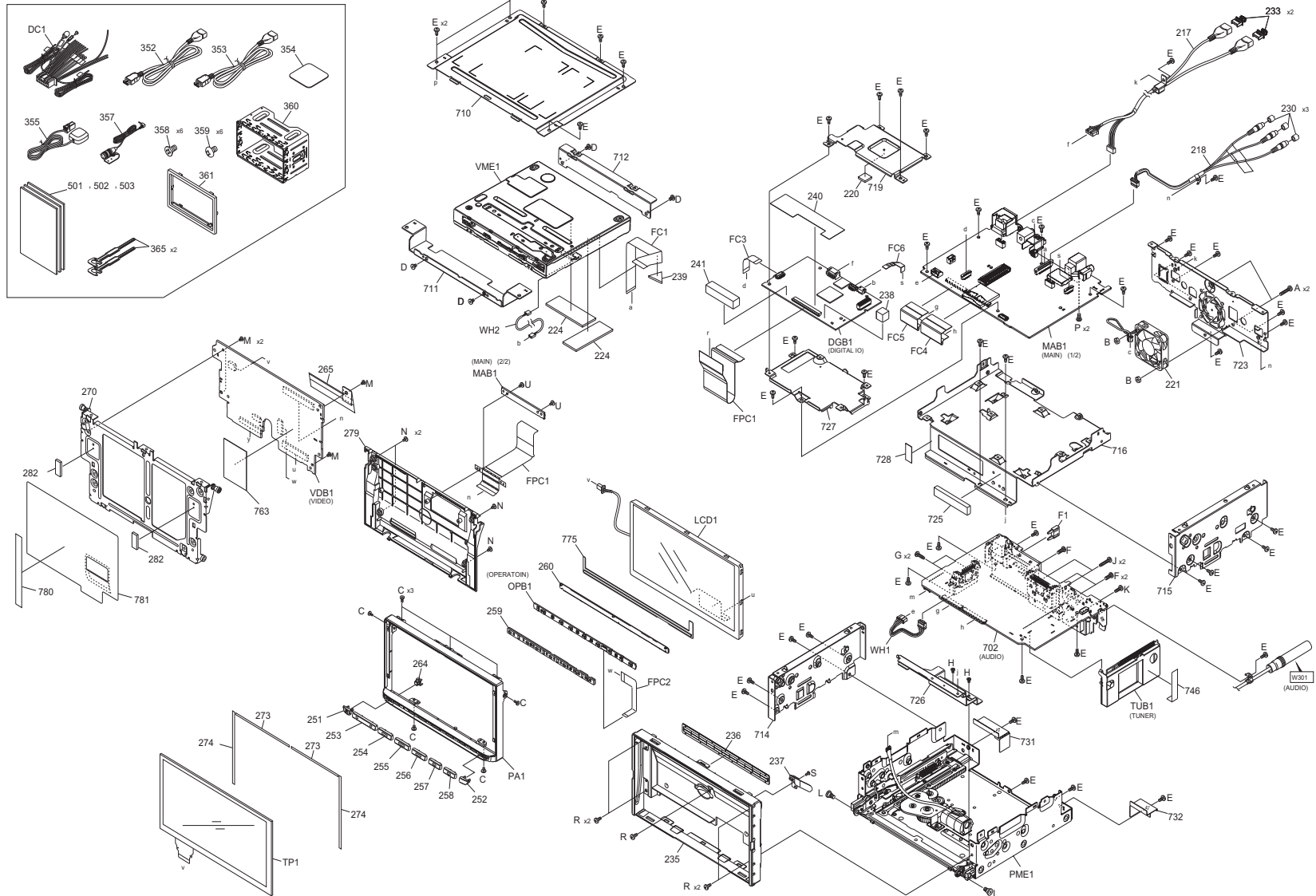


EXPLODED VIEW (UNIT)



MODEL	MARK
DNX875S	

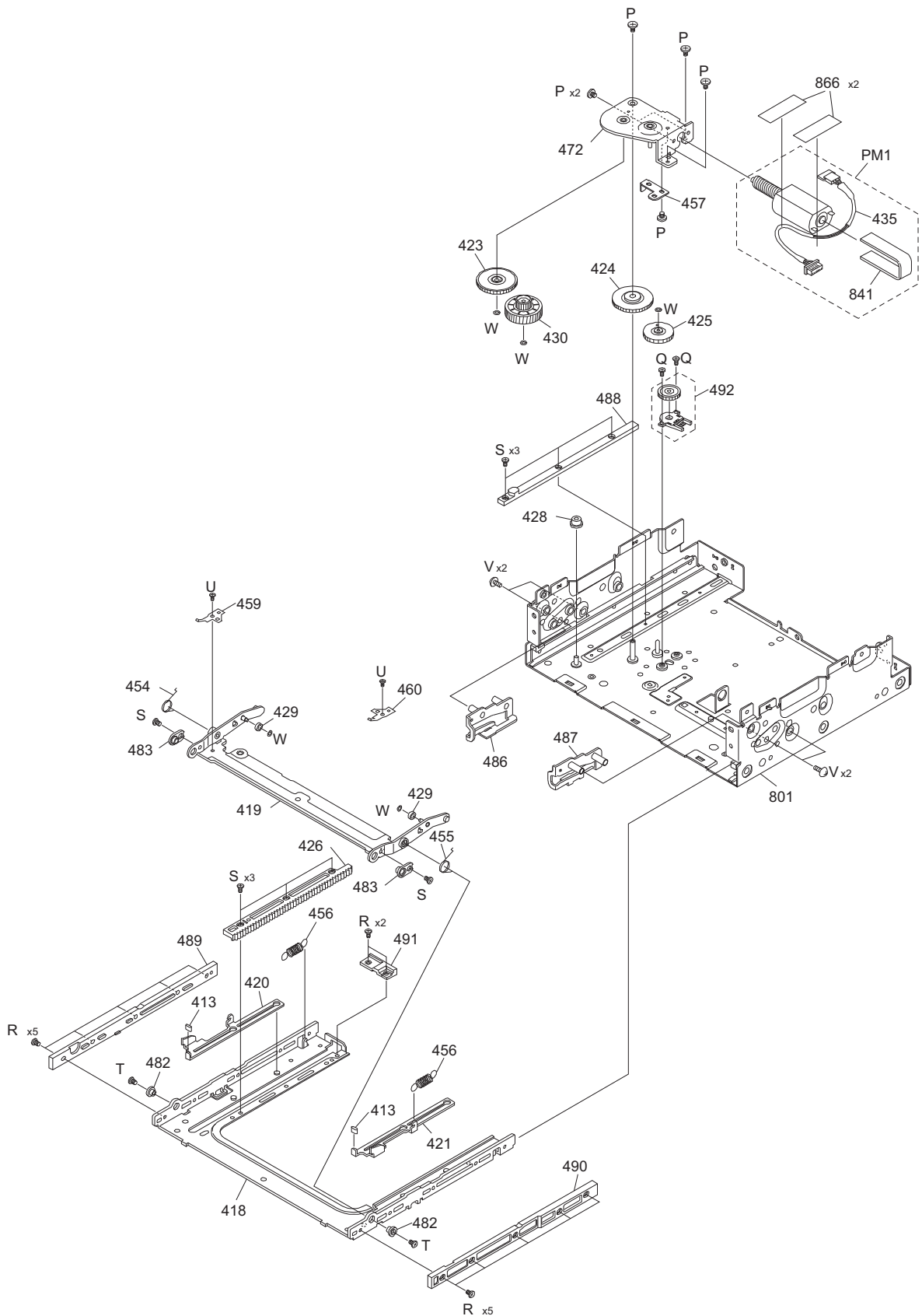
Safe	Symbol No.	Parts No.	Parts Name	Description	QTY	Local
EXPLODED VIEW (UNIT) <M1MM>						
	DC1	E3A-0358-00	DC CORD		1	
	DGB1	CB-XJA059K00N	DIGITAL IO PWB ASSY	XJA-059K-00	1	
	MAB1	CB-XJ1221K00N	MAIN PWB ASSY	XJ1-221K-00	1	
	OPB1	CB-XJ7042K00N	OPERATION PWB ASSY	XJ7-042K-00	1	
	TUB1	XJH-192K-01	TUNER PWB ASSY	XJM-019K-02	1	
	VDB1	CB-XJ8023K05N	VIDEO PWB ASSY	XJ8-023K-05	1	
△	F1	FZB10AU-150	BLADE FUSE	15A	1	
	FC1	E3F-0111-00	FLAT CABLE		1	
	FC3	EF0AA051503AC	FFC WIRE		1	
	FC4	EF0AD0560X4BC	FFC WIRE		1	
	FC5	EF0AD0550X4BC	FFC WIRE		1	
	FC6	E3G-0048-10	FFC WIRE		1	
	FPC1	J8K-0020-00	FLEX P.BOARD		1	
	FPC2	E3J-0011-00	FPC		1	
	LCD1	B3H-0015-10	LCD		1	
	PA1	A6C-0063-0M	PANEL		1	
	PME1	A1A-0073-30	CHASSIS ASSY		1	
	TP1	W0C-0328-00	TOUCH PANEL		1	
	VME1	FD2-3A00NXN	DVD MECHA MODUL		1	
	WH1	E3F-0116-00	WIRING HARNESS		1	
	WH2	E3F-0112-00	WIRING HARNESS		1	
	A	LV45522-001A	SPECIAL SCREW		2	
	B	QYN2S2600ZA	NUT	M2.6	2	
	C	LV45701-002A	SPECIAL SCREW		7	
	D	LV45552-003A	SPECIAL SCREW		4	
	E	QYSDST2606ZA	TAP SCREW	M2.6 x 6mm	45	
	F	QYSPSG3008ZA	TAP SCREW	M3 x 8mm	3	
	G	QYSDST2610ZA	TAP SCREW	M2.6 x 10mm	2	
	H	VKZ4539-054	MINI SCREW		2	
	J	QYSPST2614ZA	TAP SCREW	M2.6 x 14mm	2	
	K	QYSDSF2608ZA	TAP SCREW	M2.6 x 8mm	1	
	L	N09-6490-05	STEPPED SCREW		2	
	M	QYSDSP2003ZA	SCREW	M2 x 3mm	4	
	N	LV45701-004A	SPECIAL SCREW		4	
	R	QYSDST2606MA	TAP SCREW	M2.6 x 6mm	5	
	S	N09-6904-05	TAPTITE SCREW		1	
	U	QYSDSF2005ZA	TAP SCREW	M2 x 5mm	2	
	217	E3A-0362-10	CORD W.CON.		1	
	218	E3A-0421-00	CORD W.CON.		1	
	220	LV46006-002A	COOLING RUBBER		1	
	221	F0K-0264-00	FAN		1	
	224	G1B-0071-0G	CUSHION		2	
	230	F2K-0012-00	INS.COVER		3	
	233	LV45959-001A	CAP		2	
	235	A2C-0036-0F	SUB PANEL		1	
	236	LV45134-003A	BLIND		1	
	237	B1K-0049-00	LIGHTING BOARD		1	
	238	G1D-0034-0B	CONDUCT CUSHION		1	
	239	G1B-0278-00	CUSHION		1	
	240	F2A-0072-00	INS.SHEET		1	
	241	G1D-0034-0Y	CONDUCT CUSHION		1	
	251	A2B-0103-03	DRESSING PANEL		1	
	252	A2B-0104-03	DRESSING PANEL		1	
	253	K2K-0235-01	KNOB ASSY	VOLUME	1	
	254	K2K-0236-17	KNOB ASSY	NAV	1	
	255	K2K-0237-02	KNOB ASSY	HOME	1	
	256	K2K-0238-12	KNOB ASSY	MENU	1	
	257	K2K-0239-15	KNOB ASSY	APPS	1	
	258	K2K-0240-11	KNOB ASSY	EJECT	1	
	259	B1K-0071-00	LIGHTING BOARD		1	
	260	J1K-0419-10	HOLDER		1	
	264	B1A-0070-00	FRONT GLASS		1	
	265	LV45980-001A	SHIELD SHEET		1	
	270	LV23156-001A	M.H ASSY		1	
	273	F0K-0224-00	SHEET		2	
	274	F0K-0224-01	SHEET		2	
	279	LV11920-002A	REAR COVER		1	
	282	G1D-0034-02	CONDUCT CUSHION		2	
	352	E3A-0364-00	USB CORD	BLACK	1	
	353	E3A-0365-00	USB CORD	GRAY	1	
	354	LV45939-001A	GPS BRACKET		1	
	355	QAL1550-001	ANTENNA		1	
	357	QAN0137-001	MICROPHONE		1	
	358	QYSSSP5008ZA	SCREW	M5 x 8mm	6	
	359	QYSTSP5008ZA	SCREW	M5 x 8mm	6	
	360	LV22876-001A	SLEEVE ASSY		1	
	361	B07-3237-41	ESCUTCHEON		1	
	365	LV45516-001A	LEVER		2	
	501	B5A-2482-00	INST.MANUAL	ENG	1	
	502	B5A-2482-01	INST.MANUAL	FRE	1	
	503	B5A-2482-02	INST.MANUAL	SPA	1	
	702	-----	AUDIO PWB ASSY	NO SERVICE PART	1	
	710	-----	TOP PLATE	NO SERVICE PART	1	
	711	-----	BRACKET	NO SERVICE PART	1	
	712	-----	BRACKET	NO SERVICE PART	1	
	714	-----	SIDE PLATE	NO SERVICE PART	1	
	715	-----	SIDE PLATE	NO SERVICE PART	1	
	716	-----	SUB CHASSIS	NO SERVICE PART	1	
	719	-----	HEAT SINK	NO SERVICE PART	1	
	723	-----	REAR PANEL	NO SERVICE PART	1	
	725	-----	CONDUCT CUSHION	NO SERVICE PART	1	
	726	-----	BRACKET	NO SERVICE PART	1	
	727	-----	BRACKET	NO SERVICE PART	1	

MODEL	MARK
DNX875S	

Safe	Symbol No.	Parts No.	Parts Name	Description	QTY	Local
	728	-----	SPACER(H)	NO SERVICE PART	1	
	731	-----	BRACKET	NO SERVICE PART	1	
	732	-----	BRACKET	NO SERVICE PART	1	
	746	-----	SPACER	NO SERVICE PART	1	
	763	-----	SPACER	NO SERVICE PART	1	
	775	-----	HOLDER ASSY	NO SERVICE PART	1	
	780	-----	SPACER	NO SERVICE PART	1	
	781	-----	SPACER	NO SERVICE PART	1	

EXPLODED VIEW (PANEL MECHA ASSY)

Block No.M2MM



Parts with the exploded numbers larger than 800 are not supplied.

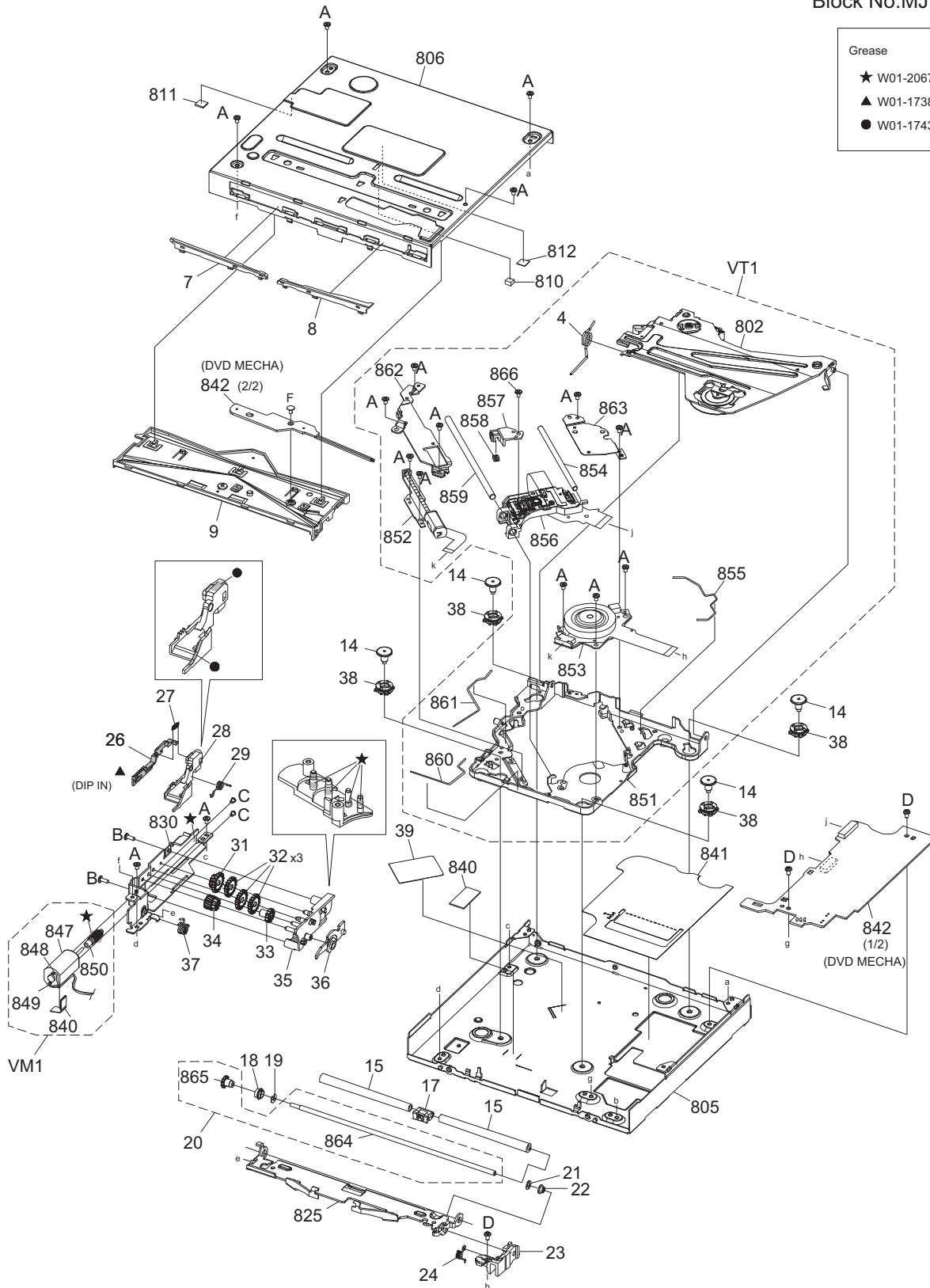
MODEL	MARK
DNX875S	

Safe	Symbol No.	Parts No.	Parts Name	Description	QTY	Local
EXPLODED VIEW (PANEL MECHA ASSY) <M2MM>						
	PM1	T42-1368-04	MOTOR ASSY		1	
	P	N09-6361-05	MACHINE SCREW	M2X2.5	6	
	Q	N09-6363-05	MACHINE SCREW	M1.7X3.7	2	
	R	N09-6375-05	MACHINE SCREW	M2X2.5	12	
	S	N09-6376-05	MACHINE SCREW	M2X3.5	8	
	T	N09-6377-05	MACHINE SCREW	M2X2.5	2	
	U	N09-6378-05	TAPTITE SCREW	M2X2	2	
	V	N09-6379-05	MACHINE SCREW	M2.6X4	4	
	W	N19-2321-04	FLAT WASHER		5	
413		B09-0541-04	CAP		2	
418		D10-4895-32	SLIDER ASSY		1	
419		D10-4897-13	ARM ASSY		1	
420		D10-4899-03	LEVER		1	
421		D10-4900-03	LEVER		1	
423		D13-2394-04	GEAR		1	
424		D13-2395-04	GEAR		1	
425		D13-2396-04	GEAR		1	
426		D13-2397-03	RACK GEAR		1	
428		D14-1010-04	ROLLER		1	
429		D14-1011-14	ROLLER		2	
430		D19-0653-23	CLUTCH ASSY		1	
435		E39-1174-05	WIRING HARNESS		1	
454		G01-3288-04	TOR.COIL SPRING		1	
455		G01-3289-04	TOR.COIL SPRING		1	
456		G01-3290-04	EXTEN.SPRING		2	
457		G02-1539-04	FLAT SPRING		1	
459		G02-1544-04	FLAT SPRING		1	
460		G02-1545-04	FLAT SPRING		1	
472		J22-0444-13	MOUNTING ASSY		1	
482		J31-1075-14	COLLAR		2	
483		J31-1077-04	COLLAR		2	
486		J90-1126-13	GUIDE ASSY		1	
487		J90-1124-13	GUIDE ASSY		1	
488		J90-1128-03	RAIL		1	
489		J90-1129-23	RAIL		1	
490		J90-1130-23	RAIL		1	
491		J90-1131-03	GUIDE		1	
492		R31-0248-05	VARIABLE RESISTOR		1	
801		-----	CHAS.CALK.ASSY	NO SERVICE PART	1	
841		-----	SHEET	NO SERVICE PART	1	
866		-----	SHEET	NO SERVICE PART	2	

EXPLODED VIEW (DVD MECHANISM: FD2-3A00NXN)

Block No.MJMM

Grease	
★	W01-2067-08
▲	W01-1738-08
●	W01-1743-08



MODEL	MARK
DNX875S	

Safe	Symbol No.	Parts No.	Parts Name	Description	QTY	Local
EXPLODED VIEW (DVD MECHANISM: FD2-3A00NXN) <MJMM>						
	VM1	CM-FD2-ALM	LOADING M ASSY		1	
	VT1	CM-FD2-ATM2	TM ASSY		1	
	A	LV44959-002A	SPECIAL SCREW		16	
	B	LV45727-001A	GEAR SCREW		2	
	C	QYSPSPU1425MA	SCREW	M1.4 x 2.5mm	2	
	D	VKZ4539-054	MINI SCREW		3	
	F	LV44586-001A	SPECIAL SCREW		1	
	4	LV45709-002A	CLAMP SPRING		1	
	7	LV23006-002A	GUIDE 2 L		1	
	8	LV23007-002A	GUIDE 2 R		1	
	9	LV11842-004A	DISC GUIDE		1	
	14	LV45704-001A	DAMPER SHAFT		4	
	15	LV45724-001A	RUBBER ROLLER		2	
	17	LV37652-002A	SHAFT GUIDE		1	
	18	LV39938-001A	GEAR RETAINER		1	
	19	LV45730-001A	ROLLER C WASHER		1	
	20	CM-FD2-AROS	RO SHAFT ASSY		1	
	21	LV45731-001A	ROLLER WASHER		1	
	22	LV45718-001A	ROLLER RETAINER		1	
	23	LV23003-002A	ROLLER HOLDER		1	
	24	LV45982-001A	ROLLER SPG R2		1	
	26	LV39932-003A	TRIGGER SLIDER		1	
	27	LV45715-001A	TRIGGER SPRING		1	
	28	LV23004-004A	SLIDER		1	
	29	LV39935-003A	SLIDER SPRING		1	
	31	LV39929-001A	DRIVE GEAR 4		1	
	32	LV39928-001A	DRIVE GEAR 3		3	
	33	LV39927-001A	DRIVE GEAR 2		1	
	34	LV39926-001A	DRIVE GEAR 1		1	
	35	LV23005-001A	GEAR HOLDER		1	
	36	LV39923-003A	UD LEVER		1	
	37	LV45983-001A	ROLLER SPG L2		1	
	38	LV39934-001A	DAMPER		4	
	39	LV45719-001A	PU FPC SHEET		1	
	802	-----	CLAMP ARM ASSY	NO SERVICE PART	1	
	805	-----	BOTTOM CHASSIS	NO SERVICE PART	1	
	806	-----	TOP CHASSIS	NO SERVICE PART	1	
	810	-----	CLAMPER CUSHION	NO SERVICE PART	1	
	811	-----	CL A CUSHION B	NO SERVICE PART	1	
	812	-----	CL A CUSHION A	NO SERVICE PART	1	
	825	-----	ROLLER ARM	NO SERVICE PART	1	
	830	-----	GEAR BKT	NO SERVICE PART	1	
	840	-----	SPACER(H)	NO SERVICE PART	2	
	841	-----	BOTTOM SHEET	NO SERVICE PART	1	
	842	-----	DVD MECHA PWB ASSY	NO SERVICE PART	1	
	847	-----	LOADING MOTOR	NO SERVICE PART	1	
	848	-----	SIN TWIST WIRE	NO SERVICE PART	1	
	849	-----	SIN TWIST WIRE	NO SERVICE PART	1	
	850	-----	WORM	NO SERVICE PART	1	
	851	-----	TM CHASSIS ASSY	NO SERVICE PART	1	
	852	-----	FEED MOTOR	NO SERVICE PART	1	
	853	-----	SPINDLE MOTOR	NO SERVICE PART	1	
	854	-----	SUB SHAFT	NO SERVICE PART	1	
	855	-----	SUB SHAFT SP	NO SERVICE PART	1	
	856	-----	DVD OPT.PICKUP	NO SERVICE PART	1	
	857	-----	PICKUP ARM	NO SERVICE PART	1	
	858	-----	PICKUP ARM SP	NO SERVICE PART	1	
	859	-----	SHAFT	NO SERVICE PART	1	
	860	-----	MAIN SHAFT SP 2	NO SERVICE PART	1	
	861	-----	MAIN SHAFT SP	NO SERVICE PART	1	
	862	-----	TM COVER MAIN	NO SERVICE PART	1	
	863	-----	TM COVER SUB	NO SERVICE PART	1	
	864	-----	ROLLER SHAFT	NO SERVICE PART	1	
	865	-----	ROLLER GEAR	NO SERVICE PART	1	
	866	-----	SCREW	NO SERVICE PART	1	

MODEL	MARK
DNX875S	

Safe	Symbol No.	Parts No.	Parts Name	Description	QTY	Local
MAIN PWB ASSY(XJ1-221K-00) <XJ1>						
	IC31	MP9943AGQ	ANALOG IC		1	
	IC51	MP9943AGQ	ANALOG IC		1	
	IC52	TC7SH08FUJC	MOS IC		1	
	IC91	MP9942AGJ	ANALOG IC		1	
	IC92	TC7SH08FUJC	MOS IC		1	
	IC93	INA199B3DCK	ANALOG IC		1	
	IC94	BU7252FVM	MOS IC		1	
	IC131	MP9942AGJ	ANALOG IC		1	
	IC132	TC7SH08FUJC	MOS IC		1	
	IC133	INA199B3DCK	ANALOG IC		1	
	IC201	NJM2819ADL333	BIPOLAR IC		1	
	IC202	TC7SET04FUJC	MOS IC		1	
	IC205	XC6223B331P-G	ANALOG IC		1	
	IC301	W3F-0388-00	MCU IC		1	
	IC302	XC6120N282N-G	MOS IC		1	
	IC303	TC7SH08FUJC	MOS IC		1	
	IC304	BR24T32FVT-W	ROM IC		1	
	IC305	NJU7108F3	MOS IC		1	
	IC501	AK7738VQ	MOS IC		1	
	IC502	AK4388AET	ANALOG IC		1	
	IC503	AK4388AET	ANALOG IC		1	
	IC506	AK4388AET	ANALOG IC		1	
	IC507	XC6209B502P-G	MOS IC		1	
	IC508	BU33TD3WG	MOS IC		1	
	IC601	NJM4580CV	ANALOG IC		1	
	IC602	NJM2871BF05	ANALOG IC		1	
	IC721	TC7SH08FUJC	MOS IC		1	
	IC722	TC7SZ125FUJC	MOS IC		1	
	IC723	TC7SET08FUJC	MOS IC		1	
	IC731	TC7SH08FUJC	MOS IC		1	
	IC732	TC7SZ125FUJC	MOS IC		1	
	IC734	TC7SET08FUJC	MOS IC		1	
	IC871	NJW1341VC3	MOS IC		1	
	IC872	XC6209B502P-G	MOS IC		1	
	IC921	UBX-M8030-KT	MOS IC		1	
	IC923	XC6223B331P-G	ANALOG IC		1	
	IC924	BU18TD3WG	MOS IC		1	
	IC951	BD00KA5WFP	MOS IC		1	
	Q1	MCQ4435	FET		1	
	Q3	LTC014YEBFS8	DIGI TRANSISTOR		1	
	Q4	LSCR523EBFS8	TRANSISTOR		1	
	Q5	LSAR523EBFS8	TRANSISTOR		1	
	Q6	LTA014TEBFS8	DIGI TRANSISTOR		1	
	Q7	LSCR523EBFS8	TRANSISTOR		1	
	Q8	LSAR523EBFS8	TRANSISTOR		1	
	Q9	LTC014YEBFS8	DIGI TRANSISTOR		1	
	Q10	LTC014YEBFS8	DIGI TRANSISTOR		1	
	Q11	LSCR523EBFS8	TRANSISTOR		1	
	Q12	LSAR523EBFS8	TRANSISTOR		1	
	Q51	LTC044EEBFS8	DIGI TRANSISTOR		1	
	Q52	LTA014YEBFS8	DIGI TRANSISTOR		1	
	Q91	LTC014YEBFS8	DIGI TRANSISTOR		1	
	Q110	LTA014YEBFS8	DIGI TRANSISTOR		1	
	Q112	LSCR523EBFS8	TRANSISTOR		1	
	Q113	LSAR523EBFS8	TRANSISTOR		1	
	Q114	LTC014YEBFS8	DIGI TRANSISTOR		1	
	Q115	LTC014YEBFS8	DIGI TRANSISTOR		1	
	Q116	LTC044EEBFS8	DIGI TRANSISTOR		1	
	Q117	LTA014YEBFS8	DIGI TRANSISTOR		1	
	Q131	LTC014YEBFS8	DIGI TRANSISTOR		1	
	Q152	LSCR523EBFS8	TRANSISTOR		1	
	Q153	LSAR523EBFS8	TRANSISTOR		1	
	Q154	LTC014YEBFS8	DIGI TRANSISTOR		1	
	Q155	LTC014YEBFS8	DIGI TRANSISTOR		1	
	Q156	LTC044EEBFS8	DIGI TRANSISTOR		1	
	Q157	LTA014YEBFS8	DIGI TRANSISTOR		1	
	Q301	2SB1689	TRANSISTOR		1	
	Q302	LTC014YEBFS8	DIGI TRANSISTOR		1	
	Q303	LSAR523EBFS8	TRANSISTOR		1	
	Q304	LSAR523EBFS8	TRANSISTOR		1	
	Q305	LTC044EEBFS8	DIGI TRANSISTOR		1	
	Q306	LTC014YEBFS8	DIGI TRANSISTOR		1	
	Q307	LTC014YEBFS8	DIGI TRANSISTOR		1	
	Q312	LTA014TEBFS8	DIGI TRANSISTOR		1	
	Q313	LTC014EEBFS8	DIGI TRANSISTOR		1	
	Q314	LTC014EEBFS8	DIGI TRANSISTOR		1	
	Q315	LTC014YEBFS8	DIGI TRANSISTOR		1	
	Q316	LTC014YEBFS8	DIGI TRANSISTOR		1	
	Q317	LSCR523EBFS8	TRANSISTOR		1	
	Q318	LSAR523EBFS8	TRANSISTOR		1	
	Q319	LTC014YEBFS8	DIGI TRANSISTOR		1	
	Q501	LTC014YEBFS8	DIGI TRANSISTOR		1	
	Q502	LTC014YEBFS8	DIGI TRANSISTOR		1	
	Q821	LSCR523UBFS8	TRANSISTOR		1	
	Q921	LTC014YEBFS8	DIGI TRANSISTOR		1	
	Q922	LTC014YEBFS8	DIGI TRANSISTOR		1	
	D1	RB080LAM-30	SCHOTTKY DIODE		1	
	D2	1SS355VM	DIODE		1	
	D3	UDZV16B	ZENER DIODE		1	
	D5	UDZV6.2B	ZENER DIODE		1	
	D6	UDZV6.2B	ZENER DIODE		1	

MODEL	MARK
DNX875S	

Safe	Symbol No.	Parts No.	Parts Name	Description	QTY	Local
	D91	UDZV6.2B	ZENER DIODE		1	
	D92	DAP202UM	DIODE		1	
	D131	UDZV6.2B	ZENER DIODE		1	
	D201	GS1J-LTP	DIODE		1	
	D202	1SS355VM	DIODE		1	
	D301	1SS355VM	DIODE		1	
	D601	UDZV11B	ZENER DIODE		1	
	D602	UDZV11B	ZENER DIODE		1	
	D603	1SS355VM	DIODE		1	
	D721	UDZV5.6B	ZENER DIODE		1	
	D722	UDZV5.6B	ZENER DIODE		1	
	D732	UDZV5.6B	ZENER DIODE		1	
	D733	UDZV5.6B	ZENER DIODE		1	
	D734	1SS355VM	DIODE		1	
	D921	1SS355VM	DIODE		1	
	D951	1SS355VM	DIODE		1	
	C1	CK73HXR1H104K	C CAPACITOR	0.1uF 50V K	1	
	C2	CK73HXR1H104K	C CAPACITOR	0.1uF 50V K	1	
	C4	CK73HXR1H104K	C CAPACITOR	0.1uF 50V K	1	
	C7	CD040CP1C222M	E CAPACITOR	2200uF 16V M	1	
	C31	CK73HXR1H104K	C CAPACITOR	0.1uF 50V K	1	
	C32	CK73HXR1H103K	C CAPACITOR	0.01uF 50V K	1	
	C33	CK73FXR1E106K	C CAPACITOR	10uF 25V K	1	
	C34	CK73FXR1E106K	C CAPACITOR	10uF 25V K	1	
	C35	CK73HXR1H104K	C CAPACITOR	0.1uF 50V K	1	
	C36	CK73HXR1H103K	C CAPACITOR	0.01uF 50V K	1	
	C37	CK73HXR1H104K	C CAPACITOR	0.1uF 50V K	1	
	C38	CK73HXR1E104K	C CAPACITOR	0.1uF 25V K	1	
	C40	CC73HCH1H560J	C CAPACITOR	56pF 50V J	1	
	C41	CK73EXR1A476K	C CAPACITOR	47uF 10V K	1	
	C43	CK73HXR1A104K	C CAPACITOR	0.1uF 10V K	1	
	C44	CK73HXR1H103K	C CAPACITOR	0.01uF 50V K	1	
	C48	CC73HCH1H220J	C CAPACITOR	22pF 50V J	1	
	C51	CK73HXR1H104K	C CAPACITOR	0.1uF 50V K	1	
	C52	CK73HXR1H103K	C CAPACITOR	0.01uF 50V K	1	
	C53	CK73FXR1E106K	C CAPACITOR	10uF 25V K	1	
	C54	CK73FXR1E106K	C CAPACITOR	10uF 25V K	1	
	C55	CK73HXR1H104K	C CAPACITOR	0.1uF 50V K	1	
	C56	CK73HXR1H103K	C CAPACITOR	0.01uF 50V K	1	
	C57	CK73HXR1H104K	C CAPACITOR	0.1uF 50V K	1	
	C58	CK73HXR1E104K	C CAPACITOR	0.1uF 25V K	1	
	C60	CC73HCH1H560J	C CAPACITOR	56pF 50V J	1	
	C61	CK73EXR1A476K	C CAPACITOR	47uF 10V K	1	
	C63	CK73HXR1A104K	C CAPACITOR	0.1uF 10V K	1	
	C64	CK73HXR1H103K	C CAPACITOR	0.01uF 50V K	1	
	C65	CC73HCH1H050C	C CAPACITOR	5pF 50V C	1	
	C66	CC73HCH1H050C	C CAPACITOR	5pF 50V C	1	
	C67	CC73HCH1H050C	C CAPACITOR	5pF 50V C	1	
	C69	CK73HXR1H102K	C CAPACITOR	1000pF 50V K	1	
	C70	CK73HXR1H103K	C CAPACITOR	0.01uF 50V K	1	
	C91	CK73HXR1H104K	C CAPACITOR	0.1uF 50V K	1	
	C92	CK73HXR1H103K	C CAPACITOR	0.01uF 50V K	1	
	C93	CK73FXR1E106K	C CAPACITOR	10uF 25V K	1	
	C94	CK73FXR1E106K	C CAPACITOR	10uF 25V K	1	
	C95	CK73HXR1H104K	C CAPACITOR	0.1uF 50V K	1	
	C96	CK73HXR1H103K	C CAPACITOR	0.01uF 50V K	1	
	C97	CK73HXR1H104K	C CAPACITOR	0.1uF 50V K	1	
	C98	CK73HXR1E104K	C CAPACITOR	0.1uF 25V K	1	
	C100	CC73HCH1H560J	C CAPACITOR	56pF 50V J	1	
	C101	CK730DT1C476K	C CAPACITOR	47uF 16V K	1	
	C103	CK73HXR1A104K	C CAPACITOR	0.1uF 10V K	1	
	C104	CK73HXR1H103K	C CAPACITOR	0.01uF 50V K	1	
	C105	CK73HXR1H103K	C CAPACITOR	0.01uF 50V K	1	
	C110	CK73HXR1C105K	C CAPACITOR	1uF 16V K	1	
	C111	CK73HXR1A104K	C CAPACITOR	0.1uF 10V K	1	
	C112	CK73HXR1C105K	C CAPACITOR	1uF 16V K	1	
	C113	CK73HXR1A104K	C CAPACITOR	0.1uF 10V K	1	
	C114	CK73HXR1H102K	C CAPACITOR	1000pF 50V K	1	
	C131	CK73HXR1H104K	C CAPACITOR	0.1uF 50V K	1	
	C132	CK73HXR1H103K	C CAPACITOR	0.01uF 50V K	1	
	C133	CK73FXR1E106K	C CAPACITOR	10uF 25V K	1	
	C134	CK73FXR1E106K	C CAPACITOR	10uF 25V K	1	
	C135	CK73HXR1H104K	C CAPACITOR	0.1uF 50V K	1	
	C136	CK73HXR1H103K	C CAPACITOR	0.01uF 50V K	1	
	C137	CK73HXR1H104K	C CAPACITOR	0.1uF 50V K	1	
	C138	CK73HXR1E104K	C CAPACITOR	0.1uF 25V K	1	
	C140	CC73HCH1H560J	C CAPACITOR	56pF 50V J	1	
	C141	CK730DT1C476K	C CAPACITOR	47uF 16V K	1	
	C143	CK73HXR1A104K	C CAPACITOR	0.1uF 10V K	1	
	C144	CK73HXR1H103K	C CAPACITOR	0.01uF 50V K	1	
	C145	CK73HXR1H103K	C CAPACITOR	0.01uF 50V K	1	
	C150	CK73HXR1C105K	C CAPACITOR	1uF 16V K	1	
	C151	CK73HXR1A104K	C CAPACITOR	0.1uF 10V K	1	
	C152	CK73HXR1C105K	C CAPACITOR	1uF 16V K	1	
	C154	CK73HXR1H102K	C CAPACITOR	1000pF 50V K	1	
	C201	CK73FXR1C106K	C CAPACITOR	10uF 16V K	1	
	C202	CK73GXR0J106K	C CAPACITOR	10uF 6.3V K	1	
	C203	CK73FXR1C106K	C CAPACITOR	10uF 16V K	1	
	C204	CK73HXR1H103K	C CAPACITOR	0.01uF 50V K	1	
	C210	CK73HXR1C105K	C CAPACITOR	1uF 16V K	1	
	C211	CK73HXR1C105K	C CAPACITOR	1uF 16V K	1	
	C251	CK730DT1C476K	C CAPACITOR	47uF 16V K	1	

MODEL	MARK
DNX875S	

Safe	Symbol No.	Parts No.	Parts Name	Description	QTY	Local
	C252	CK730DT1C476K	C CAPACITOR	47uF 16V K	1	
	C253	CK730DT1C476K	C CAPACITOR	47uF 16V K	1	
	C254	CK73HXR1H103K	C CAPACITOR	0.01uF 50V K	1	
	C255	CK730DT1C476K	C CAPACITOR	47uF 16V K	1	
	C256	CK730DT1C476K	C CAPACITOR	47uF 16V K	1	
	C257	CK730DT1C476K	C CAPACITOR	47uF 16V K	1	
	C258	CK73HXR1H103K	C CAPACITOR	0.01uF 50V K	1	
	C261	CK73EXR1A476K	C CAPACITOR	47uF 10V K	1	
	C262	CK73HXR1A104K	C CAPACITOR	0.1uF 10V K	1	
	C263	CK73GXR0J106K	C CAPACITOR	10uF 6.3V K	1	
	C303	CE32CC1C221M	E CAPACITOR	220uF 16V M	1	
	C304	CE32CC1C221M	E CAPACITOR	220uF 16V M	1	
	C305	CK73GXR0J106K	C CAPACITOR	10uF 6.3V K	1	
	C306	CK73HXR1H222K	C CAPACITOR	2200pF 50V K	1	
	C307	CK73HXR1C105K	C CAPACITOR	1uF 16V K	1	
	C308	CK73HXR1C105K	C CAPACITOR	1uF 16V K	1	
	C309	CC73HCH1H330J	C CAPACITOR	33pF 50V J	1	
	C310	CC73HCH1H040C	C CAPACITOR	4pF 50V C	1	
	C311	CC73HCH1H080D	C CAPACITOR	8pF 50V D	1	
	C312	CC73HCH1H080D	C CAPACITOR	8pF 50V D	1	
	C313	CK73HXR1A104K	C CAPACITOR	0.1uF 10V K	1	
	C314	CK73HXR1A104K	C CAPACITOR	0.1uF 10V K	1	
	C315	CK73HXR1C105K	C CAPACITOR	1uF 16V K	1	
	C316	CK73HXR1A104K	C CAPACITOR	0.1uF 10V K	1	
	C317	CK73HXR1A104K	C CAPACITOR	0.1uF 10V K	1	
	C318	CK73HXR1A104K	C CAPACITOR	0.1uF 10V K	1	
	C319	CK73HXR1A104K	C CAPACITOR	0.1uF 10V K	1	
	C320	CK73HXR1H103K	C CAPACITOR	0.01uF 50V K	1	
	C321	CK73HXR1H103K	C CAPACITOR	0.01uF 50V K	1	
	C322	CK73HXR1A104K	C CAPACITOR	0.1uF 10V K	1	
	C324	CK73HXR1H103K	C CAPACITOR	0.01uF 50V K	1	
	C329	CK73HXR1H103K	C CAPACITOR	0.01uF 50V K	1	
	C330	CK73HXR1H103K	C CAPACITOR	0.01uF 50V K	1	
	C331	CK73HXR1H103K	C CAPACITOR	0.01uF 50V K	1	
	C339	CK73HXR1H103K	C CAPACITOR	0.01uF 50V K	1	
	C340	CK73EXR1A476K	C CAPACITOR	47uF 10V K	1	
	C341	CK73EXR1A476K	C CAPACITOR	47uF 10V K	1	
	C342	CK73EXR1A476K	C CAPACITOR	47uF 10V K	1	
	C343	CK73HXR1A104K	C CAPACITOR	0.1uF 10V K	1	
	C344	CK73EXR1A476K	C CAPACITOR	47uF 10V K	1	
	C345	CK73EXR1A476K	C CAPACITOR	47uF 10V K	1	
	C346	CK73EXR1A476K	C CAPACITOR	47uF 10V K	1	
	C501	CK73HXR1H222K	C CAPACITOR	2200pF 50V K	1	
	C502	CK73HXR1H222K	C CAPACITOR	2200pF 50V K	1	
	C503	CK73HXR1H222K	C CAPACITOR	2200pF 50V K	1	
	C504	CK73HXR1H222K	C CAPACITOR	2200pF 50V K	1	
	C505	CK73HXR1C105K	C CAPACITOR	1uF 16V K	1	
	C506	CK73HXR1C105K	C CAPACITOR	1uF 16V K	1	
	C507	CK73HXR1C105K	C CAPACITOR	1uF 16V K	1	
	C512	CK73HXR1H222K	C CAPACITOR	2200pF 50V K	1	
	C513	CK73HXR1H222K	C CAPACITOR	2200pF 50V K	1	
	C514	CK73HXR1H222K	C CAPACITOR	2200pF 50V K	1	
	C515	CK73HXR1H222K	C CAPACITOR	2200pF 50V K	1	
	C520	CK73HXR1A104K	C CAPACITOR	0.1uF 10V K	1	
	C521	CK73GXR0J106K	C CAPACITOR	10uF 6.3V K	1	
	C522	CK73GXR1A106K	C CAPACITOR	10uF 10V K	1	
	C523	CK73HXR1H222K	C CAPACITOR	2200pF 50V K	1	
	C524	CK73HXR1H222K	C CAPACITOR	2200pF 50V K	1	
	C525	CK73HXR1H222K	C CAPACITOR	2200pF 50V K	1	
	C526	CK73HXR1H222K	C CAPACITOR	2200pF 50V K	1	
	C527	CK73HXR1A104K	C CAPACITOR	0.1uF 10V K	1	
	C528	CK73GXR1A106K	C CAPACITOR	10uF 10V K	1	
	C529	CK73HXR1C105K	C CAPACITOR	1uF 16V K	1	
	C530	CK73HXR1A104K	C CAPACITOR	0.1uF 10V K	1	
	C531	CK73GXR1A106K	C CAPACITOR	10uF 10V K	1	
	C532	CK73HXR1A104K	C CAPACITOR	0.1uF 10V K	1	
	C533	CK73GXR1A106K	C CAPACITOR	10uF 10V K	1	
	C534	CK73GXR1E225K	C CAPACITOR	2.2uF 25V K	1	
	C535	CK73HXR1A104K	C CAPACITOR	0.1uF 10V K	1	
	C536	CK73GXR1A106K	C CAPACITOR	10uF 10V K	1	
	C537	CK73HXR1A104K	C CAPACITOR	0.1uF 10V K	1	
	C538	CK73GXR1A106K	C CAPACITOR	10uF 10V K	1	
	C539	CK73HXR1A104K	C CAPACITOR	0.1uF 10V K	1	
	C540	CK73GXR1A106K	C CAPACITOR	10uF 10V K	1	
	C541	CK73GXR1E225K	C CAPACITOR	2.2uF 25V K	1	
	C542	CK73HXR1A104K	C CAPACITOR	0.1uF 10V K	1	
	C543	CK73GXR1A106K	C CAPACITOR	10uF 10V K	1	
	C544	CK73HXR1A104K	C CAPACITOR	0.1uF 10V K	1	
	C545	CK73HXR1A104K	C CAPACITOR	0.1uF 10V K	1	
	C549	CC73HCH1H120J	C CAPACITOR	12pF 50V J	1	
	C550	CC73HCH1H120J	C CAPACITOR	12pF 50V J	1	
	C551	CK73GXR0J106K	C CAPACITOR	10uF 6.3V K	1	
	C552	CK73GXR1A106K	C CAPACITOR	10uF 10V K	1	
	C553	CK73HXR1A104K	C CAPACITOR	0.1uF 10V K	1	
	C554	CK73GXR0J106K	C CAPACITOR	10uF 6.3V K	1	
	C558	CK73HXR1H332K	C CAPACITOR	3300pF 50V K	1	
	C559	CK73HXR1H332K	C CAPACITOR	3300pF 50V K	1	
	C560	CK73HXR1H332K	C CAPACITOR	3300pF 50V K	1	
	C561	CK73HXR1H222K	C CAPACITOR	2200pF 50V K	1	
	C562	CK73HXR1H222K	C CAPACITOR	2200pF 50V K	1	
	C563	CK73HXR1H222K	C CAPACITOR	2200pF 50V K	1	
	C564	CK73HXR1H222K	C CAPACITOR	2200pF 50V K	1	
	C565	CK73HXR1H222K	C CAPACITOR	2200pF 50V K	1	

MODEL	MARK
DNX875S	

Safe	Symbol No.	Parts No.	Parts Name	Description	QTY	Local
	C566	CK73HXR1H222K	C CAPACITOR	2200pF 50V K	1	
	C567	CK73HXR1H222K	C CAPACITOR	2200pF 50V K	1	
	C568	CK73HXR1H222K	C CAPACITOR	2200pF 50V K	1	
	C569	CK73HXR0J474K	C CAPACITOR	0.47uF 6.3V K	1	
	C571	CK73GXR0J106K	C CAPACITOR	10uF 6.3V K	1	
	C603	CK73HXR1H102K	C CAPACITOR	1000pF 50V K	1	
	C605	CK73HXR1C105K	C CAPACITOR	1uF 16V K	1	
	C606	CK73HXR1C105K	C CAPACITOR	1uF 16V K	1	
	C607	CC73HCH1H220J	C CAPACITOR	22pF 50V J	1	
	C609	CC73HCH1H220J	C CAPACITOR	22pF 50V J	1	
	C611	CK73HXR1E104K	C CAPACITOR	0.1uF 25V K	1	
	C613	CK73EXR1A476K	C CAPACITOR	47uF 10V K	1	
	C615	CK73HXR1A683K	C CAPACITOR	0.068uF 10V K	1	
	C616	CK73HXR1A683K	C CAPACITOR	0.068uF 10V K	1	
	C617	CK73EXR1A476K	C CAPACITOR	47uF 10V K	1	
	C621	CK73HXR1C105K	C CAPACITOR	1uF 16V K	1	
	C622	CK73HXR1C105K	C CAPACITOR	1uF 16V K	1	
	C623	CK73HXR1H103K	C CAPACITOR	0.01uF 50V K	1	
	C721	CK73HXR1H103K	C CAPACITOR	0.01uF 50V K	1	
	C722	CK73HXR1H103K	C CAPACITOR	0.01uF 50V K	1	
	C723	CK73HXR1H103K	C CAPACITOR	0.01uF 50V K	1	
	C734	CK73HXR1H104K	C CAPACITOR	0.1uF 50V K	1	
	C736	CK73HXR1H103K	C CAPACITOR	0.01uF 50V K	1	
	C737	CK73HXR1H103K	C CAPACITOR	0.01uF 50V K	1	
	C739	CK73HXR1H103K	C CAPACITOR	0.01uF 50V K	1	
	C751	CE32CC1C221M	E CAPACITOR	220uF 16V M	1	
	C752	CK73HXR1A104K	C CAPACITOR	0.1uF 10V K	1	
	C753	CK73HXR1H103K	C CAPACITOR	0.01uF 50V K	1	
	C760	CK73HXR1E223K	C CAPACITOR	0.022uF 25V K	1	
	C761	CK73FXR0J226M	C CAPACITOR	22uF 6.3V M	1	
	C791	CK73HXR1H102K	C CAPACITOR	1000pF 50V K	1	
	C792	CK73HXR1H102K	C CAPACITOR	1000pF 50V K	1	
	C793	CK73HXR1E223K	C CAPACITOR	0.022uF 25V K	1	
	C794	CC73HCH1H221J	C CAPACITOR	220pF 50V J	1	
	C795	CC73HCH1H221J	C CAPACITOR	220pF 50V J	1	
	C821	CK73FXR1C106K	C CAPACITOR	10uF 16V K	1	
	C832	CK73FXR0J226M	C CAPACITOR	22uF 6.3V M	1	
	C833	CK73HXR1E224K	C CAPACITOR	0.22uF 25V K	1	
	C879	CK73HXR1C105K	C CAPACITOR	1uF 16V K	1	
	C881	CK73HXR1C105K	C CAPACITOR	1uF 16V K	1	
	C882	CK73HXR1C105K	C CAPACITOR	1uF 16V K	1	
	C884	CK73HXR1C105K	C CAPACITOR	1uF 16V K	1	
	C885	CK73HXR1C105K	C CAPACITOR	1uF 16V K	1	
	C887	CK73HXR1C105K	C CAPACITOR	1uF 16V K	1	
	C888	CK73HXR1C105K	C CAPACITOR	1uF 16V K	1	
	C890	CK73HXR1A104K	C CAPACITOR	0.1uF 10V K	1	
	C891	CK73HXR1C105K	C CAPACITOR	1uF 16V K	1	
	C892	CE32BJ1C470M	E CAPACITOR	47uF 16V M	1	
	C893	CK73HXR1H104K	C CAPACITOR	0.1uF 50V K	1	
	C895	CK73HXR1C105K	C CAPACITOR	1uF 16V K	1	
	C896	CK73HXR1C105K	C CAPACITOR	1uF 16V K	1	
	C897	CK73HXR1C105K	C CAPACITOR	1uF 16V K	1	
	C898	CK73FXR1C106K	C CAPACITOR	10uF 16V K	1	
	C899	CK73HXR1C105K	C CAPACITOR	1uF 16V K	1	
	C921	CK73HXR1C105K	C CAPACITOR	1uF 16V K	1	
	C922	CK73HXR1H103K	C CAPACITOR	0.01uF 50V K	1	
	C923	CC73HCH1H470J	C CAPACITOR	47pF 50V J	1	
	C924	CC730BP1H1R8B	C CAPACITOR	1.8pF 50V M	1	
	C925	CK73HXR1C105K	C CAPACITOR	1uF 16V K	1	
	C926	CK73HXR1C105K	C CAPACITOR	1uF 16V K	1	
	C927	CK73HXR1C105K	C CAPACITOR	1uF 16V K	1	
	C930	CK73HXR1C105K	C CAPACITOR	1uF 16V K	1	
	C931	CK73GXR1E225K	C CAPACITOR	2.2uF 25V K	1	
	C932	CK73HXR1C105K	C CAPACITOR	1uF 16V K	1	
	C933	CK73HXR1C105K	C CAPACITOR	1uF 16V K	1	
	C934	CK73HXR1C105K	C CAPACITOR	1uF 16V K	1	
	C936	CC73HCH1H070D	C CAPACITOR	7pF 50V D	1	
	C937	CC73HCH1H060D	C CAPACITOR	6pF 50V D	1	
	C938	CK73HXR1C105K	C CAPACITOR	1uF 16V K	1	
	C940	CK73HXR1C105K	C CAPACITOR	1uF 16V K	1	
	C941	CC73HCH1H120J	C CAPACITOR	12pF 50V J	1	
	C942	CC73HCH1H120J	C CAPACITOR	12pF 50V J	1	
	C943	CK73HXR1C105K	C CAPACITOR	1uF 16V K	1	
	C951	CK73HXR1C105K	C CAPACITOR	1uF 16V K	1	
	C952	CK73GXR0J475K	C CAPACITOR	4.7uF 6.3V K	1	
	C953	CK73GXR0J475K	C CAPACITOR	4.7uF 6.3V K	1	
	C954	CK73HXR1A104K	C CAPACITOR	0.1uF 10V K	1	
	C955	CC73HCH1H470J	C CAPACITOR	47pF 50V J	1	
	C956	CC73HCH1H470J	C CAPACITOR	47pF 50V J	1	
	C957	CC73HCH1H020C	C CAPACITOR	2pF 50V C	1	
	C958	CC73HCH1H040C	C CAPACITOR	4pF 50V C	1	
	C960	CC73HCH1H470J	C CAPACITOR	47pF 50V J	1	
	C961	CC73HCH1H470J	C CAPACITOR	47pF 50V J	1	
	C962	CC73HCH1H470J	C CAPACITOR	47pF 50V J	1	
	C963	CC73HCH1H470J	C CAPACITOR	47pF 50V J	1	
	C964	CC73HCH1H470J	C CAPACITOR	47pF 50V J	1	
	C965	CC73HCH1H470J	C CAPACITOR	47pF 50V J	1	
	C966	CC73HCH1H470J	C CAPACITOR	47pF 50V J	1	
	C967	CC73HCH1H470J	C CAPACITOR	47pF 50V J	1	
	C968	CC73HCH1H470J	C CAPACITOR	47pF 50V J	1	
	C969	CC73HCH1H150J	C CAPACITOR	15pF 50V J	1	
	C970	CC73HCH1H470J	C CAPACITOR	47pF 50V J	1	

MODEL	MARK
DNX875S	

Safe	Symbol No.	Parts No.	Parts Name	Description	QTY	Local
C971		CK73HXR1A104K	C CAPACITOR	0.1uF 10V K	1	
C972		CK73GXR0J475K	C CAPACITOR	4.7uF 6.3V K	1	
C973		CC73HCH1H470J	C CAPACITOR	47pF 50V J	1	
C974		CK73HXR1A104K	C CAPACITOR	0.1uF 10V K	1	
C975		CK73GXR0J475K	C CAPACITOR	4.7uF 6.3V K	1	
C976		CC73HCH1H470J	C CAPACITOR	47pF 50V J	1	
R1		RK73GB2A103J	MG RESISTOR	10kΩ 1/10W J	1	
R2		RK73GB2A202J	MG RESISTOR	2kΩ 1/10W J	1	
R3		RK73HB1J334J	MG RESISTOR	330kΩ 1/16W J	1	
R4		RK73HH1J753D	MG RESISTOR	75kΩ 1/16W D	1	
R5		RK73HH1J753D	MG RESISTOR	75kΩ 1/16W D	1	
R6		RK73HH1J333D	MG RESISTOR	33kΩ 1/16W D	1	
R7		RK73HB1J224J	MG RESISTOR	220kΩ 1/16W J	1	
R8		RK73HB1J224J	MG RESISTOR	220kΩ 1/16W J	1	
R9		RK73HB1J000J	MG RESISTOR	0Ω 1/16W J	1	
R10		RK73HH1J104D	MG RESISTOR	100kΩ 1/16W D	1	
R11		RK73HH1J134D	MG RESISTOR	130kΩ 1/16W D	1	
R12		RK73HB1J224J	MG RESISTOR	220kΩ 1/16W J	1	
R13		RK73HB1J224J	MG RESISTOR	220kΩ 1/16W J	1	
R14		RK73HH1J304D	MG RESISTOR	300kΩ 1/16W D	1	
R15		RK73HH1J304D	MG RESISTOR	300kΩ 1/16W D	1	
R16		RK73HH1J822D	MG RESISTOR	8.2kΩ 1/16W D	1	
R17		RK73HH1J104D	MG RESISTOR	100kΩ 1/16W D	1	
R18		RK73HH1J683D	MG RESISTOR	68kΩ 1/16W D	1	
R19		RK73HB1J224J	MG RESISTOR	220kΩ 1/16W J	1	
R20		RK73HB1J224J	MG RESISTOR	220kΩ 1/16W J	1	
R31		RK73GB2A200J	MG RESISTOR	20Ω 1/10W J	1	
R33		RK73HB1J333J	MG RESISTOR	33kΩ 1/16W J	1	
R34		RK73HB1J000J	MG RESISTOR	0Ω 1/16W J	1	
R35		RK73HB1J000J	MG RESISTOR	0Ω 1/16W J	1	
R36		RK73HH1J393D	MG RESISTOR	39kΩ 1/16W D	1	
R37		RK73HH1J222D	MG RESISTOR	2.2kΩ 1/16W D	1	
R38		RK73HH1J752D	MG RESISTOR	7.5kΩ 1/16W D	1	
R39		RK73HH1J101D	MG RESISTOR	100Ω 1/16W D	1	
R40		RK73HB1J101J	MG RESISTOR	100Ω 1/16W J	1	
R51		RK73GB2A200J	MG RESISTOR	20Ω 1/10W J	1	
R53		RK73HB1J333J	MG RESISTOR	33kΩ 1/16W J	1	
R54		RK73HB1J000J	MG RESISTOR	0Ω 1/16W J	1	
R55		RK73HB1J000J	MG RESISTOR	0Ω 1/16W J	1	
R56		RK73HH1J393D	MG RESISTOR	39kΩ 1/16W D	1	
R57		RK73HH1J222D	MG RESISTOR	2.2kΩ 1/16W D	1	
R58		RK73HH1J752D	MG RESISTOR	7.5kΩ 1/16W D	1	
R59		RK73HH1J101D	MG RESISTOR	100Ω 1/16W D	1	
R60		RK73HB1J473J	MG RESISTOR	47kΩ 1/16W J	1	
R62		RK73HH1J100D	MG RESISTOR	10Ω 1/16W D	1	
R64		RK73HB1J272J	MG RESISTOR	2.7kΩ 1/16W J	1	
R65		RK73HB1J101J	MG RESISTOR	100Ω 1/16W J	1	
R66		RK73HB1J102J	MG RESISTOR	1kΩ 1/16W J	1	
R91		RK73GB2A200J	MG RESISTOR	20Ω 1/10W J	1	
R92		RK73HB1J473J	MG RESISTOR	47kΩ 1/16W J	1	
R94		RK73HB1J333J	MG RESISTOR	33kΩ 1/16W J	1	
R95		RK73HB1J000J	MG RESISTOR	0Ω 1/16W J	1	
R96		RK73HH1J100D	MG RESISTOR	10Ω 1/16W D	1	
R97		RK73HH1J393D	MG RESISTOR	39kΩ 1/16W D	1	
R98		RK73HH1J222D	MG RESISTOR	2.2kΩ 1/16W D	1	
R99		RK73HH1J752D	MG RESISTOR	7.5kΩ 1/16W D	1	
R100		RK73HB1J000J	MG RESISTOR	0Ω 1/16W J	1	
R101		RK73EB2E151J	MG RESISTOR	150Ω 1/4W J	1	
R102		RK73HB1J223J	MG RESISTOR	22kΩ 1/16W J	1	
R104		RK73HB1J101J	MG RESISTOR	100Ω 1/16W J	1	
R105		RK73HB1J272J	MG RESISTOR	2.7kΩ 1/16W J	1	
R106		RK73HB1J102J	MG RESISTOR	1kΩ 1/16W J	1	
R107		RK73HB1J000J	MG RESISTOR	0Ω 1/16W J	1	
R110		RZ73F0CH30LJ	RESISTOR	0.03Ω 1/3W J	1	
R111		RZ73F0CH30LJ	RESISTOR	0.03Ω 1/3W J	1	
R112		RK73HB1J100J	MG RESISTOR	10Ω 1/16W J	1	
R113		RK73HB1J100J	MG RESISTOR	10Ω 1/16W J	1	
R114		RK73HB1J101J	MG RESISTOR	100Ω 1/16W J	1	
R115		RK73HH1J104D	MG RESISTOR	100kΩ 1/16W D	1	
R116		RK73HH1J363D	MG RESISTOR	36kΩ 1/16W D	1	
R117		RK73HH1J564D	MG RESISTOR	560kΩ 1/16W D	1	
R118		RK73HB1J101J	MG RESISTOR	100Ω 1/16W J	1	
R119		RK73HH1J102D	MG RESISTOR	1kΩ 1/16W D	1	
R120		RK73HH1J104D	MG RESISTOR	100kΩ 1/16W D	1	
R121		RK73HB1J224J	MG RESISTOR	220kΩ 1/16W J	1	
R122		RK73HB1J224J	MG RESISTOR	220kΩ 1/16W J	1	
R123		RK73HB1J473J	MG RESISTOR	47kΩ 1/16W J	1	
R125		RK73HB1J223J	MG RESISTOR	22kΩ 1/16W J	1	
R126		RZ73F0CH30LJ	RESISTOR	0.03Ω 1/3W J	1	
R127		RZ73F0CH30LJ	RESISTOR	0.03Ω 1/3W J	1	
R131		RK73GB2A200J	MG RESISTOR	20Ω 1/10W J	1	
R132		RK73HB1J473J	MG RESISTOR	47kΩ 1/16W J	1	
R134		RK73HB1J333J	MG RESISTOR	33kΩ 1/16W J	1	
R135		RK73HB1J000J	MG RESISTOR	0Ω 1/16W J	1	
R136		RK73HH1J100D	MG RESISTOR	10Ω 1/16W D	1	
R137		RK73HH1J393D	MG RESISTOR	39kΩ 1/16W D	1	
R138		RK73HH1J222D	MG RESISTOR	2.2kΩ 1/16W D	1	
R139		RK73HH1J752D	MG RESISTOR	7.5kΩ 1/16W D	1	
R140		RK73HB1J000J	MG RESISTOR	0Ω 1/16W J	1	
R141		RK73EB2E151J	MG RESISTOR	150Ω 1/4W J	1	
R142		RK73HB1J223J	MG RESISTOR	22kΩ 1/16W J	1	
R144		RK73HB1J101J	MG RESISTOR	100Ω 1/16W J	1	

MODEL	MARK
DNX875S	

Safe	Symbol No.	Parts No.	Parts Name	Description	QTY	Local
R145		RK73HB1J272J	MG RESISTOR	2.7kΩ 1/16W J	1	
R146		RK73HB1J102J	MG RESISTOR	1kΩ 1/16W J	1	
R147		RK73HB1J000J	MG RESISTOR	0Ω 1/16W J	1	
R150		RZ73F0CH30LJ	RESISTOR	0.03Ω 1/3W J	1	
R151		RZ73F0CH30LJ	RESISTOR	0.03Ω 1/3W J	1	
R152		RK73HB1J100J	MG RESISTOR	10Ω 1/16W J	1	
R153		RK73HB1J100J	MG RESISTOR	10Ω 1/16W J	1	
R154		RK73HB1J101J	MG RESISTOR	100Ω 1/16W J	1	
R155		RK73HH1J104D	MG RESISTOR	100kΩ 1/16W D	1	
R156		RK73HH1J363D	MG RESISTOR	36kΩ 1/16W D	1	
R157		RK73HH1J564D	MG RESISTOR	560kΩ 1/16W D	1	
R158		RK73HB1J101J	MG RESISTOR	100Ω 1/16W J	1	
R159		RK73HH1J102D	MG RESISTOR	1kΩ 1/16W D	1	
R160		RK73HH1J104D	MG RESISTOR	100kΩ 1/16W D	1	
R161		RK73HB1J224J	MG RESISTOR	220kΩ 1/16W J	1	
R162		RK73HB1J224J	MG RESISTOR	220kΩ 1/16W J	1	
R165		RK73HB1J223J	MG RESISTOR	22kΩ 1/16W J	1	
R166		RZ73F0CH30LJ	RESISTOR	0.03Ω 1/3W J	1	
R167		RZ73F0CH30LJ	RESISTOR	0.03Ω 1/3W J	1	
R188		RK73GB2A000J	MG RESISTOR	0Ω 1/10W J	1	
R189		RK73GB2A000J	MG RESISTOR	0Ω 1/10W J	1	
R202		RK73GB2A000J	MG RESISTOR	0Ω 1/10W J	1	
R203		RK73HB1J104J	MG RESISTOR	100kΩ 1/16W J	1	
R206		RK73GB2A000J	MG RESISTOR	0Ω 1/10W J	1	
R207		RK73GB2A000J	MG RESISTOR	0Ω 1/10W J	1	
R208		RK73GB2A000J	MG RESISTOR	0Ω 1/10W J	1	
R209		RK73GB2A000J	MG RESISTOR	0Ω 1/10W J	1	
R210		RK73GB2A000J	MG RESISTOR	0Ω 1/10W J	1	
R211		RK73GB2A000J	MG RESISTOR	0Ω 1/10W J	1	
R215		RK73HB1J101J	MG RESISTOR	100Ω 1/16W J	1	
R216		RK73HB1J000J	MG RESISTOR	0Ω 1/16W J	1	
R261		RK73HB1J101J	MG RESISTOR	100Ω 1/16W J	1	
R262		RK73HB1J101J	MG RESISTOR	100Ω 1/16W J	1	
R263		RK73HB1J101J	MG RESISTOR	100Ω 1/16W J	1	
R264		RK73HB1J100J	MG RESISTOR	10Ω 1/16W J	1	
R265		RK73HB1J101J	MG RESISTOR	100Ω 1/16W J	1	
R266		RK73HB1J101J	MG RESISTOR	100Ω 1/16W J	1	
R301		RK73HB1J223J	MG RESISTOR	22kΩ 1/16W J	1	
R306		RK73HB1J000J	MG RESISTOR	0Ω 1/16W J	1	
R307		RK73HB1J000J	MG RESISTOR	0Ω 1/16W J	1	
R308		RK73HB1J101J	MG RESISTOR	100Ω 1/16W J	1	
R309		RK73HB1J101J	MG RESISTOR	100Ω 1/16W J	1	
R310		RK73HB1J102J	MG RESISTOR	1kΩ 1/16W J	1	
R311		RK73HB1J101J	MG RESISTOR	100Ω 1/16W J	1	
R312		RK73HB1J473J	MG RESISTOR	47kΩ 1/16W J	1	
R313		RK73HB1J101J	MG RESISTOR	100Ω 1/16W J	1	
R314		RK73HB1J101J	MG RESISTOR	100Ω 1/16W J	1	
R315		RK73HB1J102J	MG RESISTOR	1kΩ 1/16W J	1	
R316		RK73HB1J154J	MG RESISTOR	150kΩ 1/16W J	1	
R317		RK73HB1J154J	MG RESISTOR	150kΩ 1/16W J	1	
R318		RK73HB1J101J	MG RESISTOR	100Ω 1/16W J	1	
R320		RK73HB1J103J	MG RESISTOR	10kΩ 1/16W J	1	
R321		RK73HB1J103J	MG RESISTOR	10kΩ 1/16W J	1	
R322		RK73HB1J473J	MG RESISTOR	47kΩ 1/16W J	1	
R323		RK73HB1J103J	MG RESISTOR	10kΩ 1/16W J	1	
R324		RK73HB1J101J	MG RESISTOR	100Ω 1/16W J	1	
R325		RK73HB1J473J	MG RESISTOR	47kΩ 1/16W J	1	
R326		RK73HB1J473J	MG RESISTOR	47kΩ 1/16W J	1	
R327		RK73HB1J223J	MG RESISTOR	22kΩ 1/16W J	1	
R329		RK73HB1J223J	MG RESISTOR	22kΩ 1/16W J	1	
R330		RK73HB1J222J	MG RESISTOR	2.2kΩ 1/16W J	1	
R331		RK73HB1J101J	MG RESISTOR	100Ω 1/16W J	1	
R332		RK73HB1J101J	MG RESISTOR	100Ω 1/16W J	1	
R333		RK73HB1J272J	MG RESISTOR	2.7kΩ 1/16W J	1	
R334		RK73HB1J101J	MG RESISTOR	100Ω 1/16W J	1	
R335		RK73HB1J101J	MG RESISTOR	100Ω 1/16W J	1	
R337		RK73HB1J101J	MG RESISTOR	100Ω 1/16W J	1	
R338		RK73HB1J000J	MG RESISTOR	0Ω 1/16W J	1	
R339		RK73HB1J101J	MG RESISTOR	100Ω 1/16W J	1	
R340		RK73HB1J472J	MG RESISTOR	4.7kΩ 1/16W J	1	
R341		RK73HB1J472J	MG RESISTOR	4.7kΩ 1/16W J	1	
R342		RK73HB1J101J	MG RESISTOR	100Ω 1/16W J	1	
R343		RK73HB1J101J	MG RESISTOR	100Ω 1/16W J	1	
R344		RK73HB1J101J	MG RESISTOR	100Ω 1/16W J	1	
R347		RK73HB1J101J	MG RESISTOR	100Ω 1/16W J	1	
R348		RK73HB1J104J	MG RESISTOR	100kΩ 1/16W J	1	
R349		RK73HB1J101J	MG RESISTOR	100Ω 1/16W J	1	
R352		RK73HB1J473J	MG RESISTOR	47kΩ 1/16W J	1	
R355		RK73HB1J101J	MG RESISTOR	100Ω 1/16W J	1	
R357		RK73HB1J101J	MG RESISTOR	100Ω 1/16W J	1	
R358		RK73HB1J101J	MG RESISTOR	100Ω 1/16W J	1	
R359		RK73HB1J101J	MG RESISTOR	100Ω 1/16W J	1	
R360		RK73HB1J101J	MG RESISTOR	100Ω 1/16W J	1	
R361		RK73HB1J101J	MG RESISTOR	100Ω 1/16W J	1	
R362		RK73HB1J104J	MG RESISTOR	100kΩ 1/16W J	1	
R363		RK73HB1J101J	MG RESISTOR	100Ω 1/16W J	1	
R365		RK73HB1J101J	MG RESISTOR	100Ω 1/16W J	1	
R366		RK73HB1J222J	MG RESISTOR	2.2kΩ 1/16W J	1	
R367		RK73HB1J222J	MG RESISTOR	2.2kΩ 1/16W J	1	
R368		RK73HB1J101J	MG RESISTOR	100Ω 1/16W J	1	
R369		RK73HB1J473J	MG RESISTOR	47kΩ 1/16W J	1	
R370		RK73HB1J101J	MG RESISTOR	100Ω 1/16W J	1	
R371		RK73HB1J101J	MG RESISTOR	100Ω 1/16W J	1	

MODEL	MARK
DNX875S	

Safe	Symbol No.	Parts No.	Parts Name	Description	QTY	Local
	R372	RK73HB1J101J	MG RESISTOR	100Ω 1/16W J	1	
	R373	RK73HB1J101J	MG RESISTOR	100Ω 1/16W J	1	
	R374	RK73HB1J101J	MG RESISTOR	100Ω 1/16W J	1	
	R375	RK73HB1J101J	MG RESISTOR	100Ω 1/16W J	1	
	R376	RK73HB1J101J	MG RESISTOR	100Ω 1/16W J	1	
	R378	RK73HB1J104J	MG RESISTOR	100kΩ 1/16W J	1	
	R379	RK73HB1J102J	MG RESISTOR	1kΩ 1/16W J	1	
	R380	RK73HB1J101J	MG RESISTOR	100Ω 1/16W J	1	
	R381	RK73HB1J102J	MG RESISTOR	1kΩ 1/16W J	1	
	R382	RK73HB1J223J	MG RESISTOR	22kΩ 1/16W J	1	
	R383	RK73HB1J101J	MG RESISTOR	100Ω 1/16W J	1	
	R384	RK73HB1J102J	MG RESISTOR	1kΩ 1/16W J	1	
	R385	RK73HB1J223J	MG RESISTOR	22kΩ 1/16W J	1	
	R386	RK73HB1J102J	MG RESISTOR	1kΩ 1/16W J	1	
	R387	RK73HB1J223J	MG RESISTOR	22kΩ 1/16W J	1	
	R388	RK73HB1J101J	MG RESISTOR	100Ω 1/16W J	1	
	R389	RK73HB1J101J	MG RESISTOR	100Ω 1/16W J	1	
	R390	RK73HB1J223J	MG RESISTOR	22kΩ 1/16W J	1	
	R391	RK73HB1J104J	MG RESISTOR	100kΩ 1/16W J	1	
	R392	RK73HB1J101J	MG RESISTOR	100Ω 1/16W J	1	
	R393	RK73HB1J101J	MG RESISTOR	100Ω 1/16W J	1	
	R394	RK73HB1J104J	MG RESISTOR	100kΩ 1/16W J	1	
	R396	RK73HB1J104J	MG RESISTOR	100kΩ 1/16W J	1	
	R397	RK73HB1J473J	MG RESISTOR	47kΩ 1/16W J	1	
	R398	RK73HB1J101J	MG RESISTOR	100Ω 1/16W J	1	
	R399	RK73HB1J222J	MG RESISTOR	2.2kΩ 1/16W J	1	
	R400	RK73HB1J222J	MG RESISTOR	2.2kΩ 1/16W J	1	
	R401	RK73HB1J473J	MG RESISTOR	47kΩ 1/16W J	1	
	R403	RK73HB1J104J	MG RESISTOR	100kΩ 1/16W J	1	
	R404	RK73HB1J101J	MG RESISTOR	100Ω 1/16W J	1	
	R405	RK73HB1J101J	MG RESISTOR	100Ω 1/16W J	1	
	R407	RK73HB1J104J	MG RESISTOR	100kΩ 1/16W J	1	
	R409	RK73HB1J104J	MG RESISTOR	100kΩ 1/16W J	1	
	R410	RK73HB1J101J	MG RESISTOR	100Ω 1/16W J	1	
	R411	RK73HB1J101J	MG RESISTOR	100Ω 1/16W J	1	
	R412	RK73HB1J101J	MG RESISTOR	100Ω 1/16W J	1	
	R413	RK73HB1J101J	MG RESISTOR	100Ω 1/16W J	1	
	R415	RK73HB1J104J	MG RESISTOR	100kΩ 1/16W J	1	
	R417	RK73HB1J104J	MG RESISTOR	100kΩ 1/16W J	1	
	R420	RK73HB1J223J	MG RESISTOR	22kΩ 1/16W J	1	
	R421	RK73HB1J331J	MG RESISTOR	330Ω 1/16W J	1	
	R422	RK73HB1J821J	MG RESISTOR	820Ω 1/16W J	1	
	R423	RK73HB1J271J	MG RESISTOR	270Ω 1/16W J	1	
	R424	RK73HB1J224J	MG RESISTOR	220kΩ 1/16W J	1	
	R425	RK73HB1J471J	MG RESISTOR	470Ω 1/16W J	1	
	R426	RK73HB1J823J	MG RESISTOR	82kΩ 1/16W J	1	
	R427	RK73HB1J103J	MG RESISTOR	10kΩ 1/16W J	1	
	R428	RK73HB1J124J	MG RESISTOR	120kΩ 1/16W J	1	
	R429	RK73HB1J472J	MG RESISTOR	4.7kΩ 1/16W J	1	
	R430	RK73HB1J103J	MG RESISTOR	10kΩ 1/16W J	1	
	R431	RK73HB1J473J	MG RESISTOR	47kΩ 1/16W J	1	
	R432	RK73HB1J473J	MG RESISTOR	47kΩ 1/16W J	1	
	R433	RK73HB1J473J	MG RESISTOR	47kΩ 1/16W J	1	
	R434	RK73HB1J473J	MG RESISTOR	47kΩ 1/16W J	1	
	R437	RK73HB1J000J	MG RESISTOR	0Ω 1/16W J	1	
	R443	RK73HB1J473J	MG RESISTOR	47kΩ 1/16W J	1	
	R444	RK73HB1J473J	MG RESISTOR	47kΩ 1/16W J	1	
	R446	RK73HB1J104J	MG RESISTOR	100kΩ 1/16W J	1	
	R447	RK73HB1J101J	MG RESISTOR	100Ω 1/16W J	1	
	R448	RK73HB1J000J	MG RESISTOR	0Ω 1/16W J	1	
	R449	RK73HB1J101J	MG RESISTOR	100Ω 1/16W J	1	
	R450	RK73HB1J472J	MG RESISTOR	4.7kΩ 1/16W J	1	
	R503	RK73HB1J223J	MG RESISTOR	22kΩ 1/16W J	1	
	R504	RK73HB1J223J	MG RESISTOR	22kΩ 1/16W J	1	
	R506	RK73HB1J223J	MG RESISTOR	22kΩ 1/16W J	1	
	R507	RK73HB1J223J	MG RESISTOR	22kΩ 1/16W J	1	
	R510	RK73HB1J221J	MG RESISTOR	220Ω 1/16W J	1	
	R511	RK73HB1J221J	MG RESISTOR	220Ω 1/16W J	1	
	R512	RK73HB1J221J	MG RESISTOR	220Ω 1/16W J	1	
	R513	RK73HB1J221J	MG RESISTOR	220Ω 1/16W J	1	
	R514	RK73HB1J000J	MG RESISTOR	0Ω 1/16W J	1	
	R515	RK73HB1J000J	MG RESISTOR	0Ω 1/16W J	1	
	R518	RK73HB1J221J	MG RESISTOR	220Ω 1/16W J	1	
	R519	RK73HB1J221J	MG RESISTOR	220Ω 1/16W J	1	
	R520	RK73HB1J000J	MG RESISTOR	0Ω 1/16W J	1	
	R521	RK73HB1J221J	MG RESISTOR	220Ω 1/16W J	1	
	R522	RK73HB1J221J	MG RESISTOR	220Ω 1/16W J	1	
	R523	RK73HB1J000J	MG RESISTOR	0Ω 1/16W J	1	
	R524	RK73HB1J000J	MG RESISTOR	0Ω 1/16W J	1	
	R531	RK73HB1J223J	MG RESISTOR	22kΩ 1/16W J	1	
	R532	RK73HB1J223J	MG RESISTOR	22kΩ 1/16W J	1	
	R533	RK73HB1J000J	MG RESISTOR	0Ω 1/16W J	1	
	R534	RK73HB1J100J	MG RESISTOR	10Ω 1/16W J	1	
	R535	RK73HB1J100J	MG RESISTOR	10Ω 1/16W J	1	
	R536	RK73HB1J100J	MG RESISTOR	10Ω 1/16W J	1	
	R538	RK73GB2A2R2J	MG RESISTOR	2.2Ω 1/10W J	1	
	R539	RK73HB1J221J	MG RESISTOR	220Ω 1/16W J	1	
	R540	RK73HB1J221J	MG RESISTOR	220Ω 1/16W J	1	
	R541	RK73HB1J221J	MG RESISTOR	220Ω 1/16W J	1	
	R542	RK73HB1J221J	MG RESISTOR	220Ω 1/16W J	1	
	R543	RK73HB1J000J	MG RESISTOR	0Ω 1/16W J	1	
	R544	RK73HB1J000J	MG RESISTOR	0Ω 1/16W J	1	

MODEL	MARK
DNX875S	

Safe	Symbol No.	Parts No.	Parts Name	Description	QTY	Local
R545		RK73HB1J101J	MG RESISTOR	100Ω 1/16W J	1	
R546		RK73HB1J101J	MG RESISTOR	100Ω 1/16W J	1	
R547		RK73HB1J000J	MG RESISTOR	0Ω 1/16W J	1	
R550		RK73HB1J000J	MG RESISTOR	0Ω 1/16W J	1	
R551		RK73HB1J222J	MG RESISTOR	2.2kΩ 1/16W J	1	
R552		RK73HB1J101J	MG RESISTOR	100Ω 1/16W J	1	
R553		RK73HB1J101J	MG RESISTOR	100Ω 1/16W J	1	
R554		RK73HB1J101J	MG RESISTOR	100Ω 1/16W J	1	
R555		RK73HB1J101J	MG RESISTOR	100Ω 1/16W J	1	
R556		RK73HB1J101J	MG RESISTOR	100Ω 1/16W J	1	
R558		RK73HB1J000J	MG RESISTOR	0Ω 1/16W J	1	
R559		RK73HB1J101J	MG RESISTOR	100Ω 1/16W J	1	
R560		RK73HB1J101J	MG RESISTOR	100Ω 1/16W J	1	
R561		RK73HB1J101J	MG RESISTOR	100Ω 1/16W J	1	
R562		RK73HB1J000J	MG RESISTOR	0Ω 1/16W J	1	
R563		RK73HB1J000J	MG RESISTOR	0Ω 1/16W J	1	
R564		RK73HB1J000J	MG RESISTOR	0Ω 1/16W J	1	
R565		RK73HB1J101J	MG RESISTOR	100Ω 1/16W J	1	
R566		RK73HB1J100J	MG RESISTOR	10Ω 1/16W J	1	
R567		RK73HB1J100J	MG RESISTOR	10Ω 1/16W J	1	
R568		RK73HB1J181J	MG RESISTOR	180Ω 1/16W J	1	
R569		RK73HB1J223J	MG RESISTOR	22kΩ 1/16W J	1	
R570		RK73HB1J100J	MG RESISTOR	10Ω 1/16W J	1	
R573		RK73HB1J101J	MG RESISTOR	100Ω 1/16W J	1	
R574		RK73HB1J100J	MG RESISTOR	10Ω 1/16W J	1	
R575		RK73HB1J100J	MG RESISTOR	10Ω 1/16W J	1	
R576		RK73HB1J000J	MG RESISTOR	0Ω 1/16W J	1	
R577		RK73HB1J100J	MG RESISTOR	10Ω 1/16W J	1	
R578		RK73GB2A2R2J	MG RESISTOR	2.2Ω 1/10W J	1	
R579		RK73GB2A2R2J	MG RESISTOR	2.2Ω 1/10W J	1	
R582		RK73HB1J000J	MG RESISTOR	0Ω 1/16W J	1	
R583		RK73HB1J000J	MG RESISTOR	0Ω 1/16W J	1	
R584		RK73HB1J000J	MG RESISTOR	0Ω 1/16W J	1	
R585		RK73GB2A000J	MG RESISTOR	0Ω 1/10W J	1	
R586		RK73GB2A000J	MG RESISTOR	0Ω 1/10W J	1	
R588		RK73HH1J221D	MG RESISTOR	220Ω 1/16W D	1	
R589		RK73HH1J221D	MG RESISTOR	220Ω 1/16W D	1	
R590		RK73HH1J221D	MG RESISTOR	220Ω 1/16W D	1	
R591		RK73HH1J221D	MG RESISTOR	220Ω 1/16W D	1	
R592		RK73HH1J221D	MG RESISTOR	220Ω 1/16W D	1	
R593		RK73HH1J221D	MG RESISTOR	220Ω 1/16W D	1	
R594		RK73HH1J221D	MG RESISTOR	220Ω 1/16W D	1	
R595		RK73HH1J221D	MG RESISTOR	220Ω 1/16W D	1	
R596		RK73HB1J223J	MG RESISTOR	22kΩ 1/16W J	1	
R599		RK73GB2A000J	MG RESISTOR	0Ω 1/10W J	1	
R600		RK73GB2A000J	MG RESISTOR	0Ω 1/10W J	1	
R604		RK73HB1J000J	MG RESISTOR	0Ω 1/16W J	1	
R609		RK73HB1J203J	MG RESISTOR	20kΩ 1/16W J	1	
R610		RK73HB1J203J	MG RESISTOR	20kΩ 1/16W J	1	
R611		RK73HB1J473J	MG RESISTOR	47kΩ 1/16W J	1	
R612		RK73HB1J304J	MG RESISTOR	300kΩ 1/16W J	1	
R614		RK73HB1J304J	MG RESISTOR	300kΩ 1/16W J	1	
R615		RK73GB2A000J	MG RESISTOR	0Ω 1/10W J	1	
R616		RK73HB1J223J	MG RESISTOR	22kΩ 1/16W J	1	
R617		RK73HB1J223J	MG RESISTOR	22kΩ 1/16W J	1	
R618		RK73HB1J333J	MG RESISTOR	33kΩ 1/16W J	1	
R620		RK73HB1J123J	MG RESISTOR	12kΩ 1/16W J	1	
R621		RK73GB2A101J	MG RESISTOR	100Ω 1/10W J	1	
R622		RK73GB2A2R2J	MG RESISTOR	2.2Ω 1/10W J	1	
R624		RK73HB1J752J	MG RESISTOR	7.5kΩ 1/16W J	1	
R625		RK73GB2A000J	MG RESISTOR	0Ω 1/10W J	1	
R638		RK73HB1J000J	MG RESISTOR	0Ω 1/16W J	1	
R721		RK73GB2A101J	MG RESISTOR	100Ω 1/10W J	1	
R722		RK73GB2A220J	MG RESISTOR	22Ω 1/10W J	1	
R724		RK73GB2A000J	MG RESISTOR	0Ω 1/10W J	1	
R725		RK73HB1J101J	MG RESISTOR	100Ω 1/16W J	1	
R726		RK73HB1J101J	MG RESISTOR	100Ω 1/16W J	1	
R727		RK73HB1J473J	MG RESISTOR	47kΩ 1/16W J	1	
R728		RK73HB1J101J	MG RESISTOR	100Ω 1/16W J	1	
R734		RK73GB2A101J	MG RESISTOR	100Ω 1/10W J	1	
R735		RK73GB2A101J	MG RESISTOR	100Ω 1/10W J	1	
R741		RK73HB1J272J	MG RESISTOR	2.7kΩ 1/16W J	1	
R743		RK73HB1J473J	MG RESISTOR	47kΩ 1/16W J	1	
R750		RK73HB1J101J	MG RESISTOR	100Ω 1/16W J	1	
R754		RK73HB1J000J	MG RESISTOR	0Ω 1/16W J	1	
R755		RK73HB1J000J	MG RESISTOR	0Ω 1/16W J	1	
R756		RK73HB1J000J	MG RESISTOR	0Ω 1/16W J	1	
R757		RK73HB1J000J	MG RESISTOR	0Ω 1/16W J	1	
R758		RK73HB1J000J	MG RESISTOR	0Ω 1/16W J	1	
R759		RK73HB1J000J	MG RESISTOR	0Ω 1/16W J	1	
R760		RK73GB2A000J	MG RESISTOR	0Ω 1/10W J	1	
R791		RK73HB1J223J	MG RESISTOR	22kΩ 1/16W J	1	
R792		RK73HB1J223J	MG RESISTOR	22kΩ 1/16W J	1	
R793		RK73HB1J100J	MG RESISTOR	10Ω 1/16W J	1	
R794		RK73HB1J100J	MG RESISTOR	10Ω 1/16W J	1	
R795		RK73HB1J4R7J	MG RESISTOR	4.7Ω 1/16W J	1	
R796		RK73GB2A000J	MG RESISTOR	0Ω 1/10W J	1	
R803		RK73GH2A472D	MG RESISTOR	4.7kΩ 1/10W D	1	
R804		RK73GH2A472D	MG RESISTOR	4.7kΩ 1/10W D	1	
R807		RK73HB1J152J	MG RESISTOR	1.5kΩ 1/16W J	1	
R808		RK73HB1J152J	MG RESISTOR	1.5kΩ 1/16W J	1	
R809		RK73HB1J681J	MG RESISTOR	680Ω 1/16W J	1	
R810		RK73HB1J681J	MG RESISTOR	680Ω 1/16W J	1	

MODEL					MARK
DNX875S					
Safe	Symbol No.	Parts No.	Parts Name	Description	QTY Local
	R823	RK73HB1J303J	MG RESISTOR	30kΩ 1/16W J	1
	R824	RK73HH1J750D	MG RESISTOR	75Ω 1/16W D	1
	R825	RK73GB2A000J	MG RESISTOR	0Ω 1/10W J	1
	R826	RK73HB1J100J	MG RESISTOR	10Ω 1/16W J	1
	R827	RK73HB1J100J	MG RESISTOR	10Ω 1/16W J	1
	R829	RK73HB1J303J	MG RESISTOR	30kΩ 1/16W J	1
	R839	RK73HB1J750J	MG RESISTOR	75Ω 1/16W J	1
	R871	RK73GB2A000J	MG RESISTOR	0Ω 1/10W J	1
	R873	RK73HB1J000J	MG RESISTOR	0Ω 1/16W J	1
	R874	RK73HB1J000J	MG RESISTOR	0Ω 1/16W J	1
	R876	RK73HB1J000J	MG RESISTOR	0Ω 1/16W J	1
	R877	RK73HB1J100J	MG RESISTOR	10Ω 1/16W J	1
	R878	RK73HH1J391D	MG RESISTOR	390Ω 1/16W D	1
	R879	RK73HH1J201D	MG RESISTOR	200Ω 1/16W D	1
	R884	RK73HB1J100J	MG RESISTOR	10Ω 1/16W J	1
	R886	RK73HB1J220J	MG RESISTOR	22Ω 1/16W J	1
	R887	RK73HB1J220J	MG RESISTOR	22Ω 1/16W J	1
	R888	RK73HB1J000J	MG RESISTOR	0Ω 1/16W J	1
	R889	RK73HH1J683D	MG RESISTOR	68kΩ 1/16W D	1
	R890	RK73HH1J683D	MG RESISTOR	68kΩ 1/16W D	1
	R891	RK73HB1J000J	MG RESISTOR	0Ω 1/16W J	1
	R921	RK73HB1J220J	MG RESISTOR	22Ω 1/16W J	1
	R922	RK73HB1J220J	MG RESISTOR	22Ω 1/16W J	1
	R923	RK73HB1J000J	MG RESISTOR	0Ω 1/16W J	1
	R926	RK73HB1J000J	MG RESISTOR	0Ω 1/16W J	1
	R929	RK73HB1J103J	MG RESISTOR	10kΩ 1/16W J	1
	R930	RK73HB1J103J	MG RESISTOR	10kΩ 1/16W J	1
	R938	RK73HB1J000J	MG RESISTOR	0Ω 1/16W J	1
	R939	RK73HB1J000J	MG RESISTOR	0Ω 1/16W J	1
	R940	RK73HB1J000J	MG RESISTOR	0Ω 1/16W J	1
	R951	RK73HH1J753D	MG RESISTOR	75kΩ 1/16W D	1
	R952	RK73HH1J393D	MG RESISTOR	39kΩ 1/16W D	1
	R953	RK73HH1J303D	MG RESISTOR	30kΩ 1/16W D	1
	R954	RK73GB2A330J	MG RESISTOR	33Ω 1/10W J	1
	R955	RK73GB2A391J	MG RESISTOR	390Ω 1/10W J	1
	R956	RK73HB1J103J	MG RESISTOR	10kΩ 1/16W J	1
	R957	RK73HB1J000J	MG RESISTOR	0Ω 1/16W J	1
	R958	RK73GB2A000J	MG RESISTOR	0Ω 1/10W J	1
	R959	RK73HB1J103J	MG RESISTOR	10kΩ 1/16W J	1
	R960	RK73GB2A000J	MG RESISTOR	0Ω 1/10W J	1
	R961	RK73HB1J103J	MG RESISTOR	10kΩ 1/16W J	1
	R962	RK73GB2A331J	MG RESISTOR	330Ω 1/10W J	1
	R964	RK73GB2A000J	MG RESISTOR	0Ω 1/10W J	1
	R967	RK73HB1J820J	MG RESISTOR	82Ω 1/16W J	1
	R969	RK73GB2A000J	MG RESISTOR	0Ω 1/10W J	1
	R971	RK73HB1J820J	MG RESISTOR	82Ω 1/16W J	1
	R973	RK73GB2A101J	MG RESISTOR	100Ω 1/10W J	1
	R975	RK73HB1J103J	MG RESISTOR	10kΩ 1/16W J	1
	R976	RK73HB1J103J	MG RESISTOR	10kΩ 1/16W J	1
	R977	RK73HB1J102J	MG RESISTOR	1kΩ 1/16W J	1
	R979	RK73HB1J000J	MG RESISTOR	0Ω 1/16W J	1
	R980	RK73HB1J000J	MG RESISTOR	0Ω 1/16W J	1
	R981	RK73HB1J000J	MG RESISTOR	0Ω 1/16W J	1
	R982	RK73HB1J000J	MG RESISTOR	0Ω 1/16W J	1
	R983	RK73HB1J000J	MG RESISTOR	0Ω 1/16W J	1
	R984	RK73HB1J000J	MG RESISTOR	0Ω 1/16W J	1
	R985	RK73HB1J000J	MG RESISTOR	0Ω 1/16W J	1
	R986	RK73HB1J000J	MG RESISTOR	0Ω 1/16W J	1
	R997	RK73HB1J470J	MG RESISTOR	47Ω 1/16W J	1
	RA791	RK74GB1J301J	NET RESISTOR	300Ω 1/16W J	1
	RA821	RK74GB1J301J	NET RESISTOR	300Ω 1/16W J	1
	RA822	RK74GB1J301J	NET RESISTOR	300Ω 1/16W J	1
	L32	NQR0723-001X	CHOKE COIL	10uF	1
	L52	NQR0723-001X	CHOKE COIL	10uF	1
	L92	NQR0723-001X	CHOKE COIL	10uF	1
	L132	NQR0723-001X	CHOKE COIL	10uF	1
	L301	LB73G0FK-001	CHIP FERRITE		1
	L751	LR79Z0AG100M	CHIP INDUCTOR	10uH	1
	L871	LR73Z0AC100K	CHIP INDUCTOR	10uH	1
	L921	LK73H0AM27NJ	M.CHIP INDUCTOR	27nH	1
	L922	LR79H0HU7N5G	CHIP INDUCTOR		1
	L925	LB73H0DZ-001	CHIP FERRITE		1
	L951	LB73G0AM-004	CHIP FERRITE		1
	L952	LK73H0AM2N2S	M.CHIP INDUCTOR		1
	L953	LB73G0AM-004	CHIP FERRITE		1
	L954	LB73G0AM-004	CHIP FERRITE		1
	L955	LB73G0AM-004	CHIP FERRITE		1
	L956	LB73G0AM-004	CHIP FERRITE		1
	P	QYSDSG3006ZA	TAP SCREW	M3 x 6mm	2
	A951	W0C-0191-00	CIRCUIT MODULE		1
	AT951	T9A-0052-00	CHIP ANTENNA		1
	CN1	QGA2001F1-04	W TO B CONNE	W-B (1-4)	1
	CN201	QGA1002C1-04X	W TO B CONNE	W-B (1-4)	1
	CN251	QGA2001C1-04	W TO B CONNE	W-B (1-4)	1
	CN261	EC710AM-0515A	FFC FPC CONNE	15P	1
	CN301	QGA1002F1-08X	W TO B CONNE	W-B (1-8)	1
	CN601	EB770AX-05C0A	B TO B CONNE	120P	1
	CN602	EC720AA-0550A	FFC FPC CONNE	50P	1
	CN603	EC720AA-0560A	FFC FPC CONNE	60P	1
	CN721	EA120CE-2503A	W TO B CONNE	3P	1
	CN731	QGA2021F1-04	W TO B CONNE	W-B (1-4)	1
	CN751	EC710AM-0535A	FFC FPC CONNE	35P	1

MODEL	MARK
DNX875S	

Safe	Symbol No.	Parts No.	Parts Name	Description	QTY	Local
	CN802	QGA2001C1-04	W TO B CONNE	W-B (1-4)	1	
	CN951	EC710AM-0512A	FFC FPC CONNE		1	
△	F1	FZA10BZ-7R0	FUSE (CC)	63A	1	
△	F721	F53-0513-08	PATTERN FUSE	4A	1	
△	F731	F53-0513-08	PATTERN FUSE	4A	1	
△	F732	F53-0513-08	PATTERN FUSE	4A	1	
△	F751	FZA10BF-1R0	FUSE (CC)	1A	1	
△	F791	F53-0513-08	PATTERN FUSE	4A	1	
△	F801	F53-0513-08	PATTERN FUSE	4A	1	
△	F832	F53-0513-08	PATTERN FUSE	4A	1	
	J261	NNZ0256-001X	SD CARD CONNE		1	
	J601	QNS0307-001	3.5 JACK		1	
	J791	QNS0291-001	3.5 JACK		1	
	J921	E5J-0023-00	R.RECEPTACLE	3P	1	
	VA721	SDV1005A14//0	VARISTOR		1	
	VA722	SDV1005A14//0	VARISTOR		1	
	VA734	SDV1005A14//0	VARISTOR		1	
	VA735	SDV1005A14//0	VARISTOR		1	
	VA791	SDV1005A14//0	VARISTOR		1	
	VA792	SDV1005A14//0	VARISTOR		1	
	VA793	SDV1005E18//1	VARISTOR		1	
	VA794	SDV1005E18//1	VARISTOR		1	
	VA823	SDV1005E18//1	VARISTOR		1	
	VA824	SDV1005E18//1	VARISTOR		1	
	VA835	SDV1005E18//1	VARISTOR		1	
	VA922	F0K-0040-00	SURGE ABSORBER		1	
	X301	NAX1248-001X	CRYSTAL		1	
	X302	NAX1137-001X	CRYSTAL		1	
	X501	NAX1204-001X	CRYSTAL		1	
	X921	L7H-0098-00	TCXO		1	
	X922	NAX1248-001X	CRYSTAL		1	
	X951	L7H-0052-00	SPXO		1	
DIGITAL IO PWB ASSY(XJA-059K-00) <XJA>						
	IC501	TCC8974F-0AX1	MPU IC	BGA	1	
	IC503	-----	ROM IC	NO SERVICE PART	1	
	IC525	-----	ROM IC	NO SERVICE PART	1	
	IC531	H5TQ463CFRRDJ	DRAM IC	BGA	1	
	IC532	H5TQ463CFRRDJ	DRAM IC	BGA	1	
	IC541	ML86250LAZ07F	MOS IC	BGA	1	
	IC543	TC7WBL3305CFK	MOS IC		1	
	IC544	TC7SH08FUJC	MOS IC		1	
	IC563	MFI337S395901	MCU IC		1	
	IC571	TPS2543RTE	MOS IC		1	
	IC573	CYUSB230268LI	MOS IC		1	
	IC574	XC6223B121P-G	ANALOG IC		1	
	IC591	MP9943AGQ	ANALOG IC		1	
	IC592	MP9943AGQ	ANALOG IC		1	
	IC593	BD33KA5WFP	MOS IC		1	
	IC594	TC7SH08FUJC	MOS IC		1	
	IC595	BU18TD3WG	MOS IC		1	
	IC596	BD00IC0EEFJ-M	ANALOG IC		1	
	IC597	BD15KA5WFP	MOS IC		1	
	IC601	MP9942AGJ	ANALOG IC		1	
	IC631	NJM2561F1	BIPOLAR IC		1	
	Q5401	LSCR523EBFS8	TRANSISTOR		1	
	Q5402	LSCR523EBFS8	TRANSISTOR		1	
	Q5403	LSCR523EBFS8	TRANSISTOR		1	
	Q5405	LSCR523EBFS8	TRANSISTOR		1	
	Q5603	LTC014YEBFS8	DIGI TRANSISTOR		1	
	Q5604	LTC014YEBFS8	DIGI TRANSISTOR		1	
	Q5605	LTC014YEBFS8	DIGI TRANSISTOR		1	
	Q5606	LTC014YEBFS8	DIGI TRANSISTOR		1	
	Q5607	LSAR523EBFS8	TRANSISTOR		1	
	Q5608	2SC4617EB/QR/	TRANSISTOR		1	
	Q5871	LTA014YEBFS8	DIGI TRANSISTOR		1	
	Q5872	LTC014YEBFS8	DIGI TRANSISTOR		1	
	Q5901	LTA014EEBFS8	DIGI TRANSISTOR		1	
	Q5902	LSCR523EBFS8	TRANSISTOR		1	
	Q6301	LTC014YEBFS8	DIGI TRANSISTOR		1	
	D5871	QSMR-C13SBCMN	LED		1	
	C631	CK73HXR1C105K	C CAPACITOR	1uF 16V K	1	
	C632	CK73HXR1A104K	C CAPACITOR	0.1uF 10V K	1	
	C633	CK73FXR1C106K	C CAPACITOR	10uF 16V K	1	
	C5001	CK73HXR1A104K	C CAPACITOR	0.1uF 10V K	1	
	C5002	CK73HXR1A104K	C CAPACITOR	0.1uF 10V K	1	
	C5003	CK73HXR1A104K	C CAPACITOR	0.1uF 10V K	1	
	C5004	CK73HXR1A104K	C CAPACITOR	0.1uF 10V K	1	
	C5005	CK73HXR1A104K	C CAPACITOR	0.1uF 10V K	1	
	C5006	CK73HXR1A104K	C CAPACITOR	0.1uF 10V K	1	
	C5007	CK73HXR1A104K	C CAPACITOR	0.1uF 10V K	1	
	C5008	CK73HXR1A104K	C CAPACITOR	0.1uF 10V K	1	
	C5009	CK73HXR1A104K	C CAPACITOR	0.1uF 10V K	1	
	C5010	CK73HXR1A104K	C CAPACITOR	0.1uF 10V K	1	
	C5011	CK73HXR1A104K	C CAPACITOR	0.1uF 10V K	1	
	C5012	CK73HXR1A104K	C CAPACITOR	0.1uF 10V K	1	
	C5013	CK73HXR1A104K	C CAPACITOR	0.1uF 10V K	1	
	C5014	CK73HXR1A104K	C CAPACITOR	0.1uF 10V K	1	
	C5015	CK73HXR1A104K	C CAPACITOR	0.1uF 10V K	1	
	C5016	CK73HXR1A104K	C CAPACITOR	0.1uF 10V K	1	
	C5017	CK73HXR1A104K	C CAPACITOR	0.1uF 10V K	1	
	C5018	CK73HXR1A104K	C CAPACITOR	0.1uF 10V K	1	
	C5019	CK73HXR1A104K	C CAPACITOR	0.1uF 10V K	1	

MODEL	MARK
DNX875S	

Safe	Symbol No.	Parts No.	Parts Name	Description	QTY	Local
	C5121	CK73HXR1A104K	C CAPACITOR	0.1uF 10V K	1	
	C5122	CK73HXR1A104K	C CAPACITOR	0.1uF 10V K	1	
	C5123	CK73HXR1A104K	C CAPACITOR	0.1uF 10V K	1	
	C5124	CK73HXR1A104K	C CAPACITOR	0.1uF 10V K	1	
	C5126	CS77FBK0J101M	TA E CAPACITOR	100uF 6.3V M	1	
	C5128	CS77FBK0J101M	TA E CAPACITOR	100uF 6.3V M	1	
	C5130	CS77FBK0J101M	TA E CAPACITOR	100uF 6.3V M	1	
	C5132	CS77FBK0J101M	TA E CAPACITOR	100uF 6.3V M	1	
	C5201	CS77FBK0J101M	TA E CAPACITOR	100uF 6.3V M	1	
	C5202	CC73HCH1H102J	C CAPACITOR	1000pF 50V J	1	
	C5203	CK73HXR1A104K	C CAPACITOR	0.1uF 10V K	1	
	C5204	CK73HXR1A104K	C CAPACITOR	0.1uF 10V K	1	
	C5251	CK73FXR1C106K	C CAPACITOR	10uF 16V K	1	
	C5252	CK73FXR1C106K	C CAPACITOR	10uF 16V K	1	
	C5253	CK73HXR1A104K	C CAPACITOR	0.1uF 10V K	1	
	C5255	CK73HXR1A104K	C CAPACITOR	0.1uF 10V K	1	
	C5259	CK73HXR1A104K	C CAPACITOR	0.1uF 10V K	1	
	C5263	CK73FXR1C106K	C CAPACITOR	10uF 16V K	1	
	C5269	CK73FXR1C106K	C CAPACITOR	10uF 16V K	1	
	C5301	CS77FBK0J101M	TA E CAPACITOR	100uF 6.3V M	1	
	C5302	CC73HCH1H121J	C CAPACITOR	120pF 50V J	1	
	C5303	CK73HXR1A104K	C CAPACITOR	0.1uF 10V K	1	
	C5304	CC73HCH1H121J	C CAPACITOR	120pF 50V J	1	
	C5305	CK73HXR1A104K	C CAPACITOR	0.1uF 10V K	1	
	C5306	CC73HCH1H121J	C CAPACITOR	120pF 50V J	1	
	C5307	CK73HXR1A104K	C CAPACITOR	0.1uF 10V K	1	
	C5308	CC73HCH1H121J	C CAPACITOR	120pF 50V J	1	
	C5309	CK73HXR1A104K	C CAPACITOR	0.1uF 10V K	1	
	C5311	CK73HXR1A104K	C CAPACITOR	0.1uF 10V K	1	
	C5312	CC73HCH1H121J	C CAPACITOR	120pF 50V J	1	
	C5313	CK73HXR1A104K	C CAPACITOR	0.1uF 10V K	1	
	C5314	CC73HCH1H121J	C CAPACITOR	120pF 50V J	1	
	C5315	CK73HXR1A104K	C CAPACITOR	0.1uF 10V K	1	
	C5316	CC73HCH1H121J	C CAPACITOR	120pF 50V J	1	
	C5317	CC73HCH1H121J	C CAPACITOR	120pF 50V J	1	
	C5318	CK73HXR1A104K	C CAPACITOR	0.1uF 10V K	1	
	C5319	CK73HXR1A104K	C CAPACITOR	0.1uF 10V K	1	
	C5320	CC73HCH1H121J	C CAPACITOR	120pF 50V J	1	
	C5321	CC73HCH1H121J	C CAPACITOR	120pF 50V J	1	
	C5322	CK73HXR1A104K	C CAPACITOR	0.1uF 10V K	1	
	C5323	CK73HXR1A104K	C CAPACITOR	0.1uF 10V K	1	
	C5324	CK73HXR1A104K	C CAPACITOR	0.1uF 10V K	1	
	C5325	CK73HXR1A104K	C CAPACITOR	0.1uF 10V K	1	
	C5326	CK73HXR1A104K	C CAPACITOR	0.1uF 10V K	1	
	C5327	CK73HXR1A104K	C CAPACITOR	0.1uF 10V K	1	
	C5328	CK73HXR1A104K	C CAPACITOR	0.1uF 10V K	1	
	C5329	CK73HXR1A104K	C CAPACITOR	0.1uF 10V K	1	
	C5330	CC73HCH1H121J	C CAPACITOR	120pF 50V J	1	
	C5331	CK73HXR1A104K	C CAPACITOR	0.1uF 10V K	1	
	C5332	CC73HCH1H121J	C CAPACITOR	120pF 50V J	1	
	C5333	CK73HXR1A104K	C CAPACITOR	0.1uF 10V K	1	
	C5334	CC73HCH1H121J	C CAPACITOR	120pF 50V J	1	
	C5335	CK73HXR1A104K	C CAPACITOR	0.1uF 10V K	1	
	C5336	CC73HCH1H121J	C CAPACITOR	120pF 50V J	1	
	C5337	CK73HXR1A104K	C CAPACITOR	0.1uF 10V K	1	
	C5338	CC73HCH1H121J	C CAPACITOR	120pF 50V J	1	
	C5339	CK73HXR1A104K	C CAPACITOR	0.1uF 10V K	1	
	C5340	CC73HCH1H121J	C CAPACITOR	120pF 50V J	1	
	C5341	CK73HXR1A104K	C CAPACITOR	0.1uF 10V K	1	
	C5342	CC73HCH1H121J	C CAPACITOR	120pF 50V J	1	
	C5343	CK73HXR1A104K	C CAPACITOR	0.1uF 10V K	1	
	C5344	CC73HCH1H121J	C CAPACITOR	120pF 50V J	1	
	C5345	CK73HXR1A104K	C CAPACITOR	0.1uF 10V K	1	
	C5346	CC73HCH1H121J	C CAPACITOR	120pF 50V J	1	
	C5347	CK73HXR1A104K	C CAPACITOR	0.1uF 10V K	1	
	C5348	CC73HCH1H121J	C CAPACITOR	120pF 50V J	1	
	C5349	CC73HCH1H121J	C CAPACITOR	120pF 50V J	1	
	C5350	CC73HCH1H121J	C CAPACITOR	120pF 50V J	1	
	C5351	CC73HCH1H121J	C CAPACITOR	120pF 50V J	1	
	C5352	CK73HXR1A104K	C CAPACITOR	0.1uF 10V K	1	
	C5353	CC73HCH1H121J	C CAPACITOR	120pF 50V J	1	
	C5354	CK73HXR1A104K	C CAPACITOR	0.1uF 10V K	1	
	C5355	CC73HCH1H121J	C CAPACITOR	120pF 50V J	1	
	C5356	CK73HXR1A104K	C CAPACITOR	0.1uF 10V K	1	
	C5357	CC73HCH1H121J	C CAPACITOR	120pF 50V J	1	
	C5358	CK73HXR1A104K	C CAPACITOR	0.1uF 10V K	1	
	C5359	CK73HXR1A104K	C CAPACITOR	0.1uF 10V K	1	
	C5360	CK73HXR1A104K	C CAPACITOR	0.1uF 10V K	1	
	C5361	CK73HXR1A104K	C CAPACITOR	0.1uF 10V K	1	
	C5362	CK73HXR1A104K	C CAPACITOR	0.1uF 10V K	1	
	C5363	CK73HXR1A104K	C CAPACITOR	0.1uF 10V K	1	
	C5364	CK73HXR1A104K	C CAPACITOR	0.1uF 10V K	1	
	C5365	CC73HCH1H121J	C CAPACITOR	120pF 50V J	1	
	C5366	CK73HXR1A104K	C CAPACITOR	0.1uF 10V K	1	
	C5367	CC73HCH1H121J	C CAPACITOR	120pF 50V J	1	
	C5368	CK73HXR1A104K	C CAPACITOR	0.1uF 10V K	1	
	C5369	CC73HCH1H121J	C CAPACITOR	120pF 50V J	1	
	C5370	CC73HCH1H121J	C CAPACITOR	120pF 50V J	1	
	C5372	CK73HXR1A104K	C CAPACITOR	0.1uF 10V K	1	
	C5373	CC73HCH1H121J	C CAPACITOR	120pF 50V J	1	
	C5374	CK73HXR1A104K	C CAPACITOR	0.1uF 10V K	1	
	C5375	CC73HCH1H121J	C CAPACITOR	120pF 50V J	1	

MODEL	MARK
DNX875S	

Safe	Symbol No.	Parts No.	Parts Name	Description	QTY	Local
	C5376	CK73HXR1A104K	C CAPACITOR	0.1uF 10V K	1	
	C5377	CC73HCH1H121J	C CAPACITOR	120pF 50V J	1	
	C5378	CK73HXR1A104K	C CAPACITOR	0.1uF 10V K	1	
	C5379	CC73HCH1H121J	C CAPACITOR	120pF 50V J	1	
	C5380	CK73HXR1A104K	C CAPACITOR	0.1uF 10V K	1	
	C5381	CC73HCH1H121J	C CAPACITOR	120pF 50V J	1	
	C5382	CC73HCH1H121J	C CAPACITOR	120pF 50V J	1	
	C5383	CK73HXR1A104K	C CAPACITOR	0.1uF 10V K	1	
	C5385	CC73HCH1H102J	C CAPACITOR	1000pF 50V J	1	
	C5401	CC73HCH1H221J	C CAPACITOR	220pF 50V J	1	
	C5471	CK73HXR1A104K	C CAPACITOR	0.1uF 10V K	1	
	C5472	CK73HXR1A104K	C CAPACITOR	0.1uF 10V K	1	
	C5475	CC73HCH1H221J	C CAPACITOR	220pF 50V J	1	
	C5479	CK73HXR1A104K	C CAPACITOR	0.1uF 10V K	1	
	C5480	CK73HXR1A104K	C CAPACITOR	0.1uF 10V K	1	
	C5481	CK73HXR1A104K	C CAPACITOR	0.1uF 10V K	1	
	C5482	CK73HXR1A104K	C CAPACITOR	0.1uF 10V K	1	
	C5484	CK73HXR1A104K	C CAPACITOR	0.1uF 10V K	1	
	C5485	CK73HXR1A104K	C CAPACITOR	0.1uF 10V K	1	
	C5486	CK73HXR1A104K	C CAPACITOR	0.1uF 10V K	1	
	C5487	CK73HXR1A104K	C CAPACITOR	0.1uF 10V K	1	
	C5488	CK73HXR1A104K	C CAPACITOR	0.1uF 10V K	1	
	C5489	CK73HXR1A104K	C CAPACITOR	0.1uF 10V K	1	
	C5490	CK73HXR1A104K	C CAPACITOR	0.1uF 10V K	1	
	C5491	CK73FXR1C106K	C CAPACITOR	10uF 16V K	1	
	C5493	CK73FXR1C106K	C CAPACITOR	10uF 16V K	1	
	C5494	CK73GXR0J106M	C CAPACITOR	10uF 6.3V M	1	
	C5495	CK73GXR0J106M	C CAPACITOR	10uF 6.3V M	1	
	C5496	CK73FXR1C106K	C CAPACITOR	10uF 16V K	1	
	C5497	CK73GXR0J106M	C CAPACITOR	10uF 6.3V M	1	
	C5498	CK73FXR1C106K	C CAPACITOR	10uF 16V K	1	
	C5499	CK73GXR0J106M	C CAPACITOR	10uF 6.3V M	1	
	C5500	CK73HXR1H103K	C CAPACITOR	0.01uF 50V K	1	
	C5501	CK73HXR1H103K	C CAPACITOR	0.01uF 50V K	1	
	C5502	CK73HXR1H103K	C CAPACITOR	0.01uF 50V K	1	
	C5503	CK73HXR1H103K	C CAPACITOR	0.01uF 50V K	1	
	C5504	CC73HCH1H102J	C CAPACITOR	1000pF 50V J	1	
	C5505	CC73HCH1H102J	C CAPACITOR	1000pF 50V J	1	
	C5506	CC73HCH1H102J	C CAPACITOR	1000pF 50V J	1	
	C5507	CK73HXR1C105K	C CAPACITOR	1uF 16V K	1	
	C5508	CK73HXR1C105K	C CAPACITOR	1uF 16V K	1	
	C5509	CK73HXR1C105K	C CAPACITOR	1uF 16V K	1	
	C5510	CK73HXR1C105K	C CAPACITOR	1uF 16V K	1	
	C5511	CC73HCH1H100D	C CAPACITOR	10pF 50V D	1	
	C5512	CC73HCH1H120J	C CAPACITOR	12pF 50V J	1	
	C5513	CK73HXR1C105K	C CAPACITOR	1uF 16V K	1	
	C5514	CK73HXR1C105K	C CAPACITOR	1uF 16V K	1	
	C5515	CK73HXR1C105K	C CAPACITOR	1uF 16V K	1	
	C5516	CK73GXR0J106M	C CAPACITOR	10uF 6.3V M	1	
	C5517	CK73GXR0J106M	C CAPACITOR	10uF 6.3V M	1	
	C5518	CK73FXR1C106K	C CAPACITOR	10uF 16V K	1	
	C5519	CK73FXR1C106K	C CAPACITOR	10uF 16V K	1	
	C5521	CK73HXR1C105K	C CAPACITOR	1uF 16V K	1	
	C5523	CK73HXR1C105K	C CAPACITOR	1uF 16V K	1	
	C5524	CK73HXR1C105K	C CAPACITOR	1uF 16V K	1	
	C5534	CK73HXR1C105K	C CAPACITOR	1uF 16V K	1	
	C5535	CK73HXR1C105K	C CAPACITOR	1uF 16V K	1	
	C5536	CK73HXR1C105K	C CAPACITOR	1uF 16V K	1	
	C5537	CK73HXR1C105K	C CAPACITOR	1uF 16V K	1	
	C5538	CK73FXR1C106K	C CAPACITOR	10uF 16V K	1	
	C5632	CK73HXR1A104K	C CAPACITOR	0.1uF 10V K	1	
	C5684	CC73HCH1H120J	C CAPACITOR	12pF 50V J	1	
	C5701	CK73HXR1H104K	C CAPACITOR	0.1uF 50V K	1	
	C5704	CC73HCH1H080D	C CAPACITOR	8pF 50V D	1	
	C5705	CC73HCH1H080D	C CAPACITOR	8pF 50V D	1	
	C5710	CK73HXR1A104K	C CAPACITOR	0.1uF 10V K	1	
	C5711	CK73HXR1A104K	C CAPACITOR	0.1uF 10V K	1	
	C5712	CK73HXR1A104K	C CAPACITOR	0.1uF 10V K	1	
	C5713	CK73HXR1A104K	C CAPACITOR	0.1uF 10V K	1	
	C5714	CK73HXR1A104K	C CAPACITOR	0.1uF 10V K	1	
	C5715	CK73HXR1A104K	C CAPACITOR	0.1uF 10V K	1	
	C5716	CK73HXR1A104K	C CAPACITOR	0.1uF 10V K	1	
	C5717	CK73HXR1A104K	C CAPACITOR	0.1uF 10V K	1	
	C5718	CK73HXR1A104K	C CAPACITOR	0.1uF 10V K	1	
	C5719	CK73HXR1A104K	C CAPACITOR	0.1uF 10V K	1	
	C5720	CK73HXR1A104K	C CAPACITOR	0.1uF 10V K	1	
	C5721	CK73HXR1A104K	C CAPACITOR	0.1uF 10V K	1	
	C5722	CK73HXR1A104K	C CAPACITOR	0.1uF 10V K	1	
	C5723	CK73HXR1A104K	C CAPACITOR	0.1uF 10V K	1	
	C5724	CK73HXR1A104K	C CAPACITOR	0.1uF 10V K	1	
	C5725	CK73HXR1A104K	C CAPACITOR	0.1uF 10V K	1	
	C5726	CK73HXR1A104K	C CAPACITOR	0.1uF 10V K	1	
	C5727	CK73HXR1A104K	C CAPACITOR	0.1uF 10V K	1	
	C5728	CK73HXR1A104K	C CAPACITOR	0.1uF 10V K	1	
	C5729	CK73HXR1A104K	C CAPACITOR	0.1uF 10V K	1	
	C5730	CK73FXR1C106K	C CAPACITOR	10uF 16V K	1	
	C5731	CK73FXR1C106K	C CAPACITOR	10uF 16V K	1	
	C5740	CK73FXR1C106K	C CAPACITOR	10uF 16V K	1	
	C5741	CK73FXR1C106K	C CAPACITOR	10uF 16V K	1	
	C5903	CK73EXR1E106K	C CAPACITOR	10uF 25V K	1	
	C5904	CK73EXR1E106K	C CAPACITOR	10uF 25V K	1	
	C5905	CK73GXR1E224K	C CAPACITOR	0.022uF 25V K	1	
	C5907	CK73HXR1H104K	C CAPACITOR	0.1uF 50V K	1	

MODEL	MARK
DNX875S	

Safe	Symbol No.	Parts No.	Parts Name	Description	QTY	Local
	C5908	CK73HXR1H104K	C CAPACITOR	0.1uF 50V K	1	
	C5910	CC73HCH1H560J	C CAPACITOR	56pF 50V J	1	
	C5911	CK73EXR1A476K	C CAPACITOR	47uF 10V K	1	
	C5912	CK73EXR1A476K	C CAPACITOR	47uF 10V K	1	
	C5913	CC73HCH1H221J	C CAPACITOR	220pF 50V J	1	
	C5916	CK73EXR1E106K	C CAPACITOR	10uF 25V K	1	
	C5917	CK73EXR1E106K	C CAPACITOR	10uF 25V K	1	
	C5918	CK73GXR1E224K	C CAPACITOR	0.022uF 25V K	1	
	C5920	CK73HXR1H104K	C CAPACITOR	0.1uF 50V K	1	
	C5921	CK73HXR1H104K	C CAPACITOR	0.1uF 50V K	1	
	C5923	CC73HCH1H470J	C CAPACITOR	47pF 50V J	1	
	C5924	CK73EXR1A476K	C CAPACITOR	47uF 10V K	1	
	C5925	CK73EXR1A476K	C CAPACITOR	47uF 10V K	1	
	C5926	CC73HCH1H221J	C CAPACITOR	220pF 50V J	1	
	C5927	CK73FXR1C106K	C CAPACITOR	10uF 16V K	1	
	C5928	CK73FXR1C106K	C CAPACITOR	10uF 16V K	1	
	C5933	CK73HXR1C105K	C CAPACITOR	1uF 16V K	1	
	C5934	CK73HXR1C105K	C CAPACITOR	1uF 16V K	1	
	C5936	CK73FXR1C106K	C CAPACITOR	10uF 16V K	1	
	C5937	CK73FXR1C106K	C CAPACITOR	10uF 16V K	1	
	C5938	CK73FXR1C106K	C CAPACITOR	10uF 16V K	1	
	C5940	CK73FXR1C106K	C CAPACITOR	10uF 16V K	1	
	C5941	CK73FXR1C106K	C CAPACITOR	10uF 16V K	1	
	C5951	CK73HXR1H104K	C CAPACITOR	0.1uF 50V K	1	
	C5961	CC73HCH1H220J	C CAPACITOR	22pF 50V J	1	
	C5983	CK73EXR1E106K	C CAPACITOR	10uF 25V K	1	
	C5984	CK73EXR1E106K	C CAPACITOR	10uF 25V K	1	
	C5985	CK73GXR1E224K	C CAPACITOR	0.022uF 25V K	1	
	C5991	CK73HXR1H104K	C CAPACITOR	0.1uF 50V K	1	
	C5993	CK73HXR1H104K	C CAPACITOR	0.1uF 50V K	1	
	C5995	CC73HCH1H560J	C CAPACITOR	56pF 50V J	1	
	C5996	CK73EXR1A476K	C CAPACITOR	47uF 10V K	1	
	C5997	CK73EXR1A476K	C CAPACITOR	47uF 10V K	1	
	C5998	CC73HCH1H221J	C CAPACITOR	220pF 50V J	1	
	C6025	CC73HCH1H221J	C CAPACITOR	220pF 50V J	1	
	C6026	CK73FXR1C106K	C CAPACITOR	10uF 16V K	1	
	C6027	CC73HCH1H221J	C CAPACITOR	220pF 50V J	1	
	C6028	CK73HXR1H104K	C CAPACITOR	0.1uF 50V K	1	
	C6029	CK73HXR1H103K	C CAPACITOR	0.01uF 50V K	1	
	C6030	CK73HXR1H104K	C CAPACITOR	0.1uF 50V K	1	
	C6301	CK73HXR1H103K	C CAPACITOR	0.01uF 50V K	1	
	R632	RK73HH1J271D	MG RESISTOR	270Ω 1/16W D	1	
	R633	RK73HH1J750D	MG RESISTOR	75Ω 1/16W D	1	
	R5003	RK73HB1J000J	MG RESISTOR	0Ω 1/16W J	1	
	R5004	RK73HB1J000J	MG RESISTOR	0Ω 1/16W J	1	
	R5005	RK73HB1J103J	MG RESISTOR	10kΩ 1/16W J	1	
	R5006	RK73HB1J105J	MG RESISTOR	1MΩ 1/16W J	1	
	R5007	RK73HB1J103J	MG RESISTOR	10kΩ 1/16W J	1	
	R5008	RK73HB1J101J	MG RESISTOR	100Ω 1/16W J	1	
	R5012	RK73HB1J752J	MG RESISTOR	7.5kΩ 1/16W J	1	
	R5016	RK73HB1J103J	MG RESISTOR	10kΩ 1/16W J	1	
	R5017	RK73HB1J103J	MG RESISTOR	10kΩ 1/16W J	1	
	R5018	RK73HB1J103J	MG RESISTOR	10kΩ 1/16W J	1	
	R5021	RK73HB1J000J	MG RESISTOR	0Ω 1/16W J	1	
	R5023	RK73HB1J472J	MG RESISTOR	4.7kΩ 1/16W J	1	
	R5024	RK73HB1J470J	MG RESISTOR	47Ω 1/16W J	1	
	R5025	RK73HB1J470J	MG RESISTOR	47Ω 1/16W J	1	
	R5026	RK73HB1J470J	MG RESISTOR	47Ω 1/16W J	1	
	R5027	RK73HH1J432D	MG RESISTOR	4.3kΩ 1/16W D	1	
	R5028	RK73HB1J103J	MG RESISTOR	10kΩ 1/16W J	1	
	R5029	RK73HB1J470J	MG RESISTOR	47Ω 1/16W J	1	
	R5030	RK73HB1J470J	MG RESISTOR	47Ω 1/16W J	1	
	R5031	RK73HB1J470J	MG RESISTOR	47Ω 1/16W J	1	
	R5032	RK73HB1J470J	MG RESISTOR	47Ω 1/16W J	1	
	R5034	RK73HB1J182J	MG RESISTOR	1.8kΩ 1/16W J	1	
	R5036	RK73HB1J472J	MG RESISTOR	4.7kΩ 1/16W J	1	
	R5037	RK73HB1J470J	MG RESISTOR	47Ω 1/16W J	1	
	R5038	RK73HB1J470J	MG RESISTOR	47Ω 1/16W J	1	
	R5039	RK73HB1J182J	MG RESISTOR	1.8kΩ 1/16W J	1	
	R5040	RK73HB1J103J	MG RESISTOR	10kΩ 1/16W J	1	
	R5041	RK73HB1J103J	MG RESISTOR	10kΩ 1/16W J	1	
	R5042	RK73HH1J102D	MG RESISTOR	1kΩ 1/16W D	1	
	R5043	RK73HH1J102D	MG RESISTOR	1kΩ 1/16W D	1	
	R5044	RK73HB1J473J	MG RESISTOR	47kΩ 1/16W J	1	
	R5046	RK73HH1J201D	MG RESISTOR	200Ω 1/16W D	1	
	R5047	RK73HB1J272J	MG RESISTOR	2.7kΩ 1/16W J	1	
	R5048	RK73HB1J102J	MG RESISTOR	1kΩ 1/16W J	1	
	R5049	RK73HH1J201D	MG RESISTOR	200Ω 1/16W D	1	
	R5050	RK73HB1J102J	MG RESISTOR	1kΩ 1/16W J	1	
	R5051	RK73HB1J272J	MG RESISTOR	2.7kΩ 1/16W J	1	
	R5052	RK73HB1J472J	MG RESISTOR	4.7kΩ 1/16W J	1	
	R5053	RK73HB1J472J	MG RESISTOR	4.7kΩ 1/16W J	1	
	R5054	RK73HB1J103J	MG RESISTOR	10kΩ 1/16W J	1	
	R5055	RK73HB1J103J	MG RESISTOR	10kΩ 1/16W J	1	
	R5056	RK73HB1J472J	MG RESISTOR	4.7kΩ 1/16W J	1	
	R5058	RK73HB1J473J	MG RESISTOR	47kΩ 1/16W J	1	
	R5059	RK73HB1J272J	MG RESISTOR	2.7kΩ 1/16W J	1	
	R5060	RK73HB1J472J	MG RESISTOR	4.7kΩ 1/16W J	1	
	R5062	RK73HB1J472J	MG RESISTOR	4.7kΩ 1/16W J	1	
	R5064	RK73HB1J472J	MG RESISTOR	4.7kΩ 1/16W J	1	
	R5068	RK73HB1J103J	MG RESISTOR	10kΩ 1/16W J	1	
	R5070	RK73HB1J103J	MG RESISTOR	10kΩ 1/16W J	1	

MODEL	MARK
DNX875S	

Safe	Symbol No.	Parts No.	Parts Name	Description	QTY	Local
	R5072	RK73HB1J472J	MG RESISTOR	4.7kΩ 1/16W J	1	
	R5073	RK73HH1J104D	MG RESISTOR	100kΩ 1/16W D	1	
	R5074	RK73HB1J103J	MG RESISTOR	10kΩ 1/16W J	1	
	R5075	RK73HB1J103J	MG RESISTOR	10kΩ 1/16W J	1	
	R5076	RK73HB1J103J	MG RESISTOR	10kΩ 1/16W J	1	
	R5077	RK73HH1J241D	MG RESISTOR	240Ω 1/16W D	1	
	R5081	RK73HB1J000J	MG RESISTOR	0Ω 1/16W J	1	
	R5090	RK73HB1J103J	MG RESISTOR	10kΩ 1/16W J	1	
	R5091	RK73HB1J103J	MG RESISTOR	10kΩ 1/16W J	1	
	R5092	RK73HB1J103J	MG RESISTOR	10kΩ 1/16W J	1	
	R5094	RK73HB1J103J	MG RESISTOR	10kΩ 1/16W J	1	
	R5095	RK73HB1J103J	MG RESISTOR	10kΩ 1/16W J	1	
	R5097	RK73HB1J223J	MG RESISTOR	22kΩ 1/16W J	1	
	R5098	RK73HB1J103J	MG RESISTOR	10kΩ 1/16W J	1	
	R5100	RK73HB1J103J	MG RESISTOR	10kΩ 1/16W J	1	
	R5101	RK73HB1J103J	MG RESISTOR	10kΩ 1/16W J	1	
	R5102	RK73HB1J103J	MG RESISTOR	10kΩ 1/16W J	1	
	R5103	RK73HB1J103J	MG RESISTOR	10kΩ 1/16W J	1	
	R5104	RK73HB1J472J	MG RESISTOR	4.7kΩ 1/16W J	1	
	R5105	RK73HB1J103J	MG RESISTOR	10kΩ 1/16W J	1	
	R5106	RK73HB1J472J	MG RESISTOR	4.7kΩ 1/16W J	1	
	R5109	RK73HB1J272J	MG RESISTOR	2.7kΩ 1/16W J	1	
	R5111	RK73HB1J103J	MG RESISTOR	10kΩ 1/16W J	1	
	R5112	RK73HB1J103J	MG RESISTOR	10kΩ 1/16W J	1	
	R5113	RK73HB1J103J	MG RESISTOR	10kΩ 1/16W J	1	
	R5114	RK73HB1J103J	MG RESISTOR	10kΩ 1/16W J	1	
	R5115	RK73HB1J103J	MG RESISTOR	10kΩ 1/16W J	1	
	R5116	RK73HB1J272J	MG RESISTOR	2.7kΩ 1/16W J	1	
	R5117	RK73HB1J103J	MG RESISTOR	10kΩ 1/16W J	1	
	R5118	RK73HB1J103J	MG RESISTOR	10kΩ 1/16W J	1	
	R5119	RK73HB1J103J	MG RESISTOR	10kΩ 1/16W J	1	
	R5120	RK73HB1J272J	MG RESISTOR	2.7kΩ 1/16W J	1	
	R5121	RK73HB1J103J	MG RESISTOR	10kΩ 1/16W J	1	
	R5122	RK73HB1J103J	MG RESISTOR	10kΩ 1/16W J	1	
	R5123	RK73HB1J103J	MG RESISTOR	10kΩ 1/16W J	1	
	R5124	RK73HB1J272J	MG RESISTOR	2.7kΩ 1/16W J	1	
	R5126	RK73HB1J103J	MG RESISTOR	10kΩ 1/16W J	1	
	R5127	RK73HB1J103J	MG RESISTOR	10kΩ 1/16W J	1	
	R5128	RK73HB1J103J	MG RESISTOR	10kΩ 1/16W J	1	
	R5137	RK73HB1J000J	MG RESISTOR	0Ω 1/16W J	1	
	R5145	RK73HH1J123D	MG RESISTOR	12kΩ 1/16W D	1	
	R5146	RK73HH1J243D	MG RESISTOR	24kΩ 1/16W D	1	
	R5147	RK73HB1J473J	MG RESISTOR	47kΩ 1/16W J	1	
	R5148	RK73HB1J272J	MG RESISTOR	2.7kΩ 1/16W J	1	
	R5151	RK73HB1J103J	MG RESISTOR	10kΩ 1/16W J	1	
	R5203	RK73HB1J103J	MG RESISTOR	10kΩ 1/16W J	1	
	R5204	RK73HB1J472J	MG RESISTOR	4.7kΩ 1/16W J	1	
	R5205	RK73HB1J272J	MG RESISTOR	2.7kΩ 1/16W J	1	
	R5206	RK73HB1J103J	MG RESISTOR	10kΩ 1/16W J	1	
	R5207	RK73HB1J103J	MG RESISTOR	10kΩ 1/16W J	1	
	R5265	RK73HB1J103J	MG RESISTOR	10kΩ 1/16W J	1	
	R5266	RK73HB1J473J	MG RESISTOR	47kΩ 1/16W J	1	
	R5268	RK73HB1J101J	MG RESISTOR	100Ω 1/16W J	1	
	R5269	RK73HB1J220J	MG RESISTOR	22Ω 1/16W J	1	
	R5270	RK73HB1J100J	MG RESISTOR	10Ω 1/16W J	1	
	R5301	RK73HH1J102D	MG RESISTOR	1kΩ 1/16W D	1	
	R5302	RK73HH1J102D	MG RESISTOR	1kΩ 1/16W D	1	
	R5303	RK73HH1J102D	MG RESISTOR	1kΩ 1/16W D	1	
	R5304	RK73HH1J102D	MG RESISTOR	1kΩ 1/16W D	1	
	R5305	RK73HH1J241D	MG RESISTOR	240Ω 1/16W D	1	
	R5306	RK73HH1J102D	MG RESISTOR	1kΩ 1/16W D	1	
	R5307	RK73HH1J102D	MG RESISTOR	1kΩ 1/16W D	1	
	R5308	RK73HH1J102D	MG RESISTOR	1kΩ 1/16W D	1	
	R5309	RK73HH1J102D	MG RESISTOR	1kΩ 1/16W D	1	
	R5310	RK73HH1J241D	MG RESISTOR	240Ω 1/16W D	1	
	R5311	RK73HH1J201D	MG RESISTOR	200Ω 1/16W D	1	
	R5312	RK73HH1J201D	MG RESISTOR	200Ω 1/16W D	1	
	R5407	RK73HB1J101J	MG RESISTOR	100Ω 1/16W J	1	
	R5410	RK73HB1J221J	MG RESISTOR	220Ω 1/16W J	1	
	R5411	RK73HB1J221J	MG RESISTOR	220Ω 1/16W J	1	
	R5412	RK73HB1J390J	MG RESISTOR	39Ω 1/16W J	1	
	R5413	RK73GB2A000J	MG RESISTOR	0Ω 1/10W J	1	
	R5422	RK73HH1J201D	MG RESISTOR	200Ω 1/16W D	1	
	R5424	RK73HH1J201D	MG RESISTOR	200Ω 1/16W D	1	
	R5425	RK73HH1J201D	MG RESISTOR	200Ω 1/16W D	1	
	R5428	RK73HB1J473J	MG RESISTOR	47kΩ 1/16W J	1	
	R5429	RK73HB1J102J	MG RESISTOR	1kΩ 1/16W J	1	
	R5430	RK73HB1J105J	MG RESISTOR	1MΩ 1/16W J	1	
	R5434	RK73HB1J000J	MG RESISTOR	0Ω 1/16W J	1	
	R5435	RK73HB1J101J	MG RESISTOR	100Ω 1/16W J	1	
	R5444	RK73HB1J103J	MG RESISTOR	10kΩ 1/16W J	1	
	R5445	RK73HB1J000J	MG RESISTOR	0Ω 1/16W J	1	
	R5450	RK73HB1J000J	MG RESISTOR	0Ω 1/16W J	1	
	R5451	RK73HB1J000J	MG RESISTOR	0Ω 1/16W J	1	
	R5452	RK73HB1J000J	MG RESISTOR	0Ω 1/16W J	1	
	R5453	RK73HB1J000J	MG RESISTOR	0Ω 1/16W J	1	
	R5471	RK73HB1J103J	MG RESISTOR	10kΩ 1/16W J	1	
	R5473	RK73HB1J103J	MG RESISTOR	10kΩ 1/16W J	1	
	R5474	RK73HB1J101J	MG RESISTOR	100Ω 1/16W J	1	
	R5477	RK73HB1J101J	MG RESISTOR	100Ω 1/16W J	1	
	R5478	RK73HB1J101J	MG RESISTOR	100Ω 1/16W J	1	
	R5481	RK73HB1J101J	MG RESISTOR	100Ω 1/16W J	1	

MODEL	MARK
DNX875S	

Safe	Symbol No.	Parts No.	Parts Name	Description	QTY	Local
	R5482	RK73HB1J101J	MG RESISTOR	100Ω 1/16W J	1	
	R5484	RK73HB1J101J	MG RESISTOR	100Ω 1/16W J	1	
	R5485	RK73HB1J101J	MG RESISTOR	100Ω 1/16W J	1	
	R5486	RK73HB1J101J	MG RESISTOR	100Ω 1/16W J	1	
	R5487	RK73HB1J101J	MG RESISTOR	100Ω 1/16W J	1	
	R5488	RK73HB1J101J	MG RESISTOR	100Ω 1/16W J	1	
	R5489	RK73HB1J101J	MG RESISTOR	100Ω 1/16W J	1	
	R5490	RK73HB1J101J	MG RESISTOR	100Ω 1/16W J	1	
	R5491	RK73HB1J101J	MG RESISTOR	100Ω 1/16W J	1	
	R5494	RK73HB1J000J	MG RESISTOR	0Ω 1/16W J	1	
	R5498	RK73HB1J101J	MG RESISTOR	100Ω 1/16W J	1	
	R5501	RK73HH1J201D	MG RESISTOR	200Ω 1/16W D	1	
	R5502	RK73HB1J823J	MG RESISTOR	82kΩ 1/16W J	1	
	R5503	RK73HB1J224J	MG RESISTOR	220kΩ 1/16W J	1	
	R5504	RK73HH1J201D	MG RESISTOR	200Ω 1/16W D	1	
	R5505	RK73HB1J823J	MG RESISTOR	82kΩ 1/16W J	1	
	R5506	RK73HB1J224J	MG RESISTOR	220kΩ 1/16W J	1	
	R5507	RK73HH1J201D	MG RESISTOR	200Ω 1/16W D	1	
	R5508	RK73HB1J823J	MG RESISTOR	82kΩ 1/16W J	1	
	R5509	RK73HB1J224J	MG RESISTOR	220kΩ 1/16W J	1	
	R5510	RK73HH1J201D	MG RESISTOR	200Ω 1/16W D	1	
	R5511	RK73HB1J823J	MG RESISTOR	82kΩ 1/16W J	1	
	R5512	RK73HB1J224J	MG RESISTOR	220kΩ 1/16W J	1	
	R5513	RK73HB1J000J	MG RESISTOR	0Ω 1/16W J	1	
	R5514	RK73HB1J000J	MG RESISTOR	0Ω 1/16W J	1	
	R5515	RK73HB1J000J	MG RESISTOR	0Ω 1/16W J	1	
	R5516	RK73HB1J000J	MG RESISTOR	0Ω 1/16W J	1	
	R5517	RK73HB1J000J	MG RESISTOR	0Ω 1/16W J	1	
	R5518	RK73HB1J000J	MG RESISTOR	0Ω 1/16W J	1	
	R5519	RK73HB1J000J	MG RESISTOR	0Ω 1/16W J	1	
	R5520	RK73HB1J000J	MG RESISTOR	0Ω 1/16W J	1	
	R5521	RK73HB1J000J	MG RESISTOR	0Ω 1/16W J	1	
	R5641	RK73HB1J122J	MG RESISTOR	1.2kΩ 1/16W J	1	
	R5643	RK73HB1J103J	MG RESISTOR	10kΩ 1/16W J	1	
	R5644	RK73HB1J272J	MG RESISTOR	2.7kΩ 1/16W J	1	
	R5645	RK73HB1J101J	MG RESISTOR	100Ω 1/16W J	1	
	R5646	RK73HB1J101J	MG RESISTOR	100Ω 1/16W J	1	
	R5647	RK73HB1J101J	MG RESISTOR	100Ω 1/16W J	1	
	R5648	RK73HB1J101J	MG RESISTOR	100Ω 1/16W J	1	
	R5649	RK73HB1J473J	MG RESISTOR	47kΩ 1/16W J	1	
	R5651	RK73HB1J101J	MG RESISTOR	100Ω 1/16W J	1	
	R5654	RK73HB1J101J	MG RESISTOR	100Ω 1/16W J	1	
	R5658	RK73HB1J473J	MG RESISTOR	47kΩ 1/16W J	1	
	R5665	RK73HB1J472J	MG RESISTOR	4.7kΩ 1/16W J	1	
	R5666	RK73HB1J103J	MG RESISTOR	10kΩ 1/16W J	1	
	R5667	RK73HB1J102J	MG RESISTOR	1kΩ 1/16W J	1	
	R5668	RK73HB1J472J	MG RESISTOR	4.7kΩ 1/16W J	1	
	R5669	RK73HB1J272J	MG RESISTOR	2.7kΩ 1/16W J	1	
	R5670	RK73HB1J472J	MG RESISTOR	4.7kΩ 1/16W J	1	
	R5674	RK73HB1J473J	MG RESISTOR	47kΩ 1/16W J	1	
	R5675	RK73HB1J473J	MG RESISTOR	47kΩ 1/16W J	1	
	R5676	RK73HB1J473J	MG RESISTOR	47kΩ 1/16W J	1	
	R5677	RK73HB1J473J	MG RESISTOR	47kΩ 1/16W J	1	
	R5678	RK73HB1J473J	MG RESISTOR	47kΩ 1/16W J	1	
	R5680	RK73HB1J101J	MG RESISTOR	100Ω 1/16W J	1	
	R5681	RK73HB1J103J	MG RESISTOR	10kΩ 1/16W J	1	
	R5682	RK73HB1J820J	MG RESISTOR	82Ω 1/16W J	1	
	R5683	RK73HB1J820J	MG RESISTOR	82Ω 1/16W J	1	
	R5684	RK73HB1J470J	MG RESISTOR	47Ω 1/16W J	1	
	R5685	RK73HB1J820J	MG RESISTOR	82Ω 1/16W J	1	
	R5686	RK73HB1J820J	MG RESISTOR	82Ω 1/16W J	1	
	R5687	RK73HB1J820J	MG RESISTOR	82Ω 1/16W J	1	
	R5688	RK73HB1J101J	MG RESISTOR	100Ω 1/16W J	1	
	R5703	RK73HB1J473J	MG RESISTOR	47kΩ 1/16W J	1	
	R5704	RK73HB1J473J	MG RESISTOR	47kΩ 1/16W J	1	
	R5705	RK73HB1J272J	MG RESISTOR	2.7kΩ 1/16W J	1	
	R5707	RK73HB1J000J	MG RESISTOR	0Ω 1/16W J	1	
	R5709	RK73HB1J473J	MG RESISTOR	47kΩ 1/16W J	1	
	R5713	RK73HB1J103J	MG RESISTOR	10kΩ 1/16W J	1	
	R5714	RK73HB1J103J	MG RESISTOR	10kΩ 1/16W J	1	
	R5717	RK73HB1J103J	MG RESISTOR	10kΩ 1/16W J	1	
	R5718	RK73HB1J103J	MG RESISTOR	10kΩ 1/16W J	1	
	R5719	RK73HB1J000J	MG RESISTOR	0Ω 1/16W J	1	
	R5723	RK73HB1J103J	MG RESISTOR	10kΩ 1/16W J	1	
	R5724	RK73HB1J272J	MG RESISTOR	2.7kΩ 1/16W J	1	
	R5727	RK73HB1J000J	MG RESISTOR	0Ω 1/16W J	1	
	R5729	RK73HB1J103J	MG RESISTOR	10kΩ 1/16W J	1	
	R5731	RK73HB1J103J	MG RESISTOR	10kΩ 1/16W J	1	
	R5732	RK73HB1J103J	MG RESISTOR	10kΩ 1/16W J	1	
	R5733	RK73HH1J201D	MG RESISTOR	200Ω 1/16W D	1	
	R5734	RK73HH1J362D	MG RESISTOR	3.6kΩ 1/16W D	1	
	R5735	RK73HH1J222D	MG RESISTOR	2.2kΩ 1/16W D	1	
	R5736	RK73HH1J241D	MG RESISTOR	240Ω 1/16W D	1	
	R5737	RK73HB1J000J	MG RESISTOR	0Ω 1/16W J	1	
	R5738	RK73HB1J000J	MG RESISTOR	0Ω 1/16W J	1	
	R5739	RK73HB1J000J	MG RESISTOR	0Ω 1/16W J	1	
	R5740	RK73HB1J000J	MG RESISTOR	0Ω 1/16W J	1	
	R5790	RK73HB1J101J	MG RESISTOR	100Ω 1/16W J	1	
	R5791	RK73HB1J101J	MG RESISTOR	100Ω 1/16W J	1	
	R5804	RK73HB1J101J	MG RESISTOR	100Ω 1/16W J	1	
	R5805	RK73HB1J101J	MG RESISTOR	100Ω 1/16W J	1	
	R5806	RK73HB1J101J	MG RESISTOR	100Ω 1/16W J	1	
	R5808	RK73HB1J101J	MG RESISTOR	100Ω 1/16W J	1	

MODEL	MARK
DNX875S	

Safe	Symbol No.	Parts No.	Parts Name	Description	QTY	Local
	R5809	RK73HB1J101J	MG RESISTOR	100Ω 1/16W J	1	
	R5810	RK73HB1J101J	MG RESISTOR	100Ω 1/16W J	1	
	R5811	RK73HB1J101J	MG RESISTOR	100Ω 1/16W J	1	
	R5815	RK73HB1J101J	MG RESISTOR	100Ω 1/16W J	1	
	R5816	RK73HB1J101J	MG RESISTOR	100Ω 1/16W J	1	
	R5817	RK73HB1J000J	MG RESISTOR	0Ω 1/16W J	1	
	R5828	RK73HB1J101J	MG RESISTOR	100Ω 1/16W J	1	
	R5830	RK73HB1J101J	MG RESISTOR	100Ω 1/16W J	1	
	R5831	RK73HB1J000J	MG RESISTOR	0Ω 1/16W J	1	
	R5832	RK73HB1J101J	MG RESISTOR	100Ω 1/16W J	1	
	R5833	RK73HB1J000J	MG RESISTOR	0Ω 1/16W J	1	
	R5834	RK73HB1J101J	MG RESISTOR	100Ω 1/16W J	1	
	R5836	RK73HB1J331J	MG RESISTOR	330Ω 1/16W J	1	
	R5838	RK73HB1J101J	MG RESISTOR	100Ω 1/16W J	1	
	R5839	RK73HB1J101J	MG RESISTOR	100Ω 1/16W J	1	
	R5840	RK73HB1J101J	MG RESISTOR	100Ω 1/16W J	1	
	R5841	RK73HB1J101J	MG RESISTOR	100Ω 1/16W J	1	
	R5842	RK73HB1J000J	MG RESISTOR	0Ω 1/16W J	1	
	R5843	RK73HB1J101J	MG RESISTOR	100Ω 1/16W J	1	
	R5844	RK73HB1J000J	MG RESISTOR	0Ω 1/16W J	1	
	R5845	RK73HB1J000J	MG RESISTOR	0Ω 1/16W J	1	
	R5846	RK73HB1J000J	MG RESISTOR	0Ω 1/16W J	1	
	R5847	RK73HB1J101J	MG RESISTOR	100Ω 1/16W J	1	
	R5853	RK73HB1J101J	MG RESISTOR	100Ω 1/16W J	1	
	R5855	RK73HB1J101J	MG RESISTOR	100Ω 1/16W J	1	
	R5857	RK73HB1J101J	MG RESISTOR	100Ω 1/16W J	1	
	R5858	RK73HB1J101J	MG RESISTOR	100Ω 1/16W J	1	
	R5859	RK73HB1J101J	MG RESISTOR	100Ω 1/16W J	1	
	R5871	RK73GB2A271J	MG RESISTOR	270Ω 1/10W J	1	
	R5887	RK73HB1J000J	MG RESISTOR	0Ω 1/16W J	1	
	R5911	RK73HB1J000J	MG RESISTOR	0Ω 1/16W J	1	
	R5912	RK73HB1J000J	MG RESISTOR	0Ω 1/16W J	1	
	R5913	RK73HB1J000J	MG RESISTOR	0Ω 1/16W J	1	
	R5918	RK73GB2A200J	MG RESISTOR	20Ω 1/10W J	1	
	R5920	RK73HH1J103D	MG RESISTOR	10kΩ 1/16W D	1	
	R5921	RK73HB1J000J	MG RESISTOR	0Ω 1/16W J	1	
	R5922	RK73HH1J102D	MG RESISTOR	1kΩ 1/16W D	1	
	R5923	RK73HH1J222D	MG RESISTOR	2.2kΩ 1/16W D	1	
	R5924	RK73HH1J393D	MG RESISTOR	39kΩ 1/16W D	1	
	R5925	RK73HH1J123D	MG RESISTOR	12kΩ 1/16W D	1	
	R5926	RK73GB2A331J	MG RESISTOR	330Ω 1/10W J	1	
	R5927	RK73HB1J101J	MG RESISTOR	100Ω 1/16W J	1	
	R5928	RK73GB2A200J	MG RESISTOR	20Ω 1/10W J	1	
	R5930	RK73HH1J273D	MG RESISTOR	27kΩ 1/16W D	1	
	R5931	RK73HB1J000J	MG RESISTOR	0Ω 1/16W J	1	
	R5932	RK73HH1J563D	MG RESISTOR	56kΩ 1/16W D	1	
	R5933	RK73HH1J222D	MG RESISTOR	2.2kΩ 1/16W D	1	
	R5934	RK73HH1J393D	MG RESISTOR	39kΩ 1/16W D	1	
	R5935	RK73HH1J823D	MG RESISTOR	82kΩ 1/16W D	1	
	R5937	RK73HB1J103J	MG RESISTOR	10kΩ 1/16W J	1	
	R5938	RK73HB1J104J	MG RESISTOR	100kΩ 1/16W J	1	
	R5954	RK73HH1J183D	MG RESISTOR	18kΩ 1/16W D	1	
	R5955	RK73HH1J153D	MG RESISTOR	15kΩ 1/16W D	1	
	R5956	RK73HH1J751D	MG RESISTOR	750Ω 1/16W D	1	
	R5960	RK73HB1J102J	MG RESISTOR	1kΩ 1/16W J	1	
	R5961	RK73HB1J473J	MG RESISTOR	47kΩ 1/16W J	1	
	R5962	RK73HB1J223J	MG RESISTOR	22kΩ 1/16W J	1	
	R5964	RK73HB1J101J	MG RESISTOR	100Ω 1/16W J	1	
	R5965	RK73HB1J102J	MG RESISTOR	1kΩ 1/16W J	1	
	R5966	RK73HB1J221J	MG RESISTOR	220Ω 1/16W J	1	
	R5970	RK73GB2A331J	MG RESISTOR	330Ω 1/10W J	1	
	R5971	RK73GB2A331J	MG RESISTOR	330Ω 1/10W J	1	
	R5987	RK73HB1J101J	MG RESISTOR	100Ω 1/16W J	1	
	R5988	RK73GB2A200J	MG RESISTOR	20Ω 1/10W J	1	
	R5990	RK73HH1J273D	MG RESISTOR	27kΩ 1/16W D	1	
	R5991	RK73HB1J000J	MG RESISTOR	0Ω 1/16W J	1	
	R5992	RK73HH1J243D	MG RESISTOR	24kΩ 1/16W D	1	
	R5993	RK73HH1J222D	MG RESISTOR	2.2kΩ 1/16W D	1	
	R5994	RK73HH1J393D	MG RESISTOR	39kΩ 1/16W D	1	
	R5995	RK73HH1J823D	MG RESISTOR	82kΩ 1/16W D	1	
	R6009	RK73HB1J101J	MG RESISTOR	100Ω 1/16W J	1	
	R6017	RK73HB1J4R7J	MG RESISTOR	4.7Ω 1/16W J	1	
	R6018	RK73HB1J000J	MG RESISTOR	0Ω 1/16W J	1	
	R6019	RK73HB1J4R7J	MG RESISTOR	4.7Ω 1/16W J	1	
	R6020	RK73HB1J4R7J	MG RESISTOR	4.7Ω 1/16W J	1	
	R6021	RK73HB1J4R7J	MG RESISTOR	4.7Ω 1/16W J	1	
	R6022	RK73HB1J4R7J	MG RESISTOR	4.7Ω 1/16W J	1	
	R6023	RK73HB1J4R7J	MG RESISTOR	4.7Ω 1/16W J	1	
	R6024	RK73HB1J4R7J	MG RESISTOR	4.7Ω 1/16W J	1	
	R6025	RK73HB1J4R7J	MG RESISTOR	4.7Ω 1/16W J	1	
	R6026	RK73HB1J4R7J	MG RESISTOR	4.7Ω 1/16W J	1	
	R6027	RK73HB1J4R7J	MG RESISTOR	4.7Ω 1/16W J	1	
	R6028	RK73HB1J4R7J	MG RESISTOR	4.7Ω 1/16W J	1	
	R6029	RK73HB1J4R7J	MG RESISTOR	4.7Ω 1/16W J	1	
	R6030	RK73HB1J4R7J	MG RESISTOR	4.7Ω 1/16W J	1	
	R6031	RK73HB1J4R7J	MG RESISTOR	4.7Ω 1/16W J	1	
	R6032	RK73HB1J4R7J	MG RESISTOR	4.7Ω 1/16W J	1	
	R6033	RK73HB1J4R7J	MG RESISTOR	4.7Ω 1/16W J	1	
	R6034	RK73HB1J4R7J	MG RESISTOR	4.7Ω 1/16W J	1	
	R6035	RK73HB1J4R7J	MG RESISTOR	4.7Ω 1/16W J	1	
	R6036	RK73HB1J4R7J	MG RESISTOR	4.7Ω 1/16W J	1	
	R6037	RK73HB1J4R7J	MG RESISTOR	4.7Ω 1/16W J	1	

MODEL	MARK
DNX875S	

Safe	Symbol No.	Parts No.	Parts Name	Description	QTY	Local
	R6038	RK73HB1J100J	MG RESISTOR	10Ω 1/16W J	1	
	R6039	RK73HB1J4R7J	MG RESISTOR	4.7Ω 1/16W J	1	
	R6040	RK73HB1J4R7J	MG RESISTOR	4.7Ω 1/16W J	1	
	R6041	RK73HB1J4R7J	MG RESISTOR	4.7Ω 1/16W J	1	
	R6042	RK73HB1J4R7J	MG RESISTOR	4.7Ω 1/16W J	1	
	R6043	RK73HB1J000J	MG RESISTOR	0Ω 1/16W J	1	
	R6044	RK73HB1J000J	MG RESISTOR	0Ω 1/16W J	1	
	R6045	RK73HB1J000J	MG RESISTOR	0Ω 1/16W J	1	
	R6046	RK73HB1J000J	MG RESISTOR	0Ω 1/16W J	1	
	R6047	RK73HB1J000J	MG RESISTOR	0Ω 1/16W J	1	
	R6048	RK73HB1J000J	MG RESISTOR	0Ω 1/16W J	1	
	R6049	RK73HB1J000J	MG RESISTOR	0Ω 1/16W J	1	
	R6050	RK73HB1J000J	MG RESISTOR	0Ω 1/16W J	1	
	R6051	RK73HB1J000J	MG RESISTOR	0Ω 1/16W J	1	
	R6052	RK73HB1J000J	MG RESISTOR	0Ω 1/16W J	1	
	R6053	RK73HB1J000J	MG RESISTOR	0Ω 1/16W J	1	
	R6054	RK73HB1J000J	MG RESISTOR	0Ω 1/16W J	1	
	R6055	RK73HB1J000J	MG RESISTOR	0Ω 1/16W J	1	
	R6056	RK73HB1J000J	MG RESISTOR	0Ω 1/16W J	1	
	R6057	RK73HB1J000J	MG RESISTOR	0Ω 1/16W J	1	
	R6058	RK73HB1J000J	MG RESISTOR	0Ω 1/16W J	1	
	R6059	RK73HB1J000J	MG RESISTOR	0Ω 1/16W J	1	
	R6060	RK73HB1J000J	MG RESISTOR	0Ω 1/16W J	1	
	R6061	RK73HB1J000J	MG RESISTOR	0Ω 1/16W J	1	
	R6062	RK73HB1J000J	MG RESISTOR	0Ω 1/16W J	1	
	R6063	RK73HB1J000J	MG RESISTOR	0Ω 1/16W J	1	
	R6064	RK73HB1J000J	MG RESISTOR	0Ω 1/16W J	1	
	R6065	RK73HB1J000J	MG RESISTOR	0Ω 1/16W J	1	
	R6066	RK73HB1J000J	MG RESISTOR	0Ω 1/16W J	1	
	R6081	RK73HB1J123J	MG RESISTOR	12kΩ 1/16W J	1	
	R6082	RK73HB1J123J	MG RESISTOR	12kΩ 1/16W J	1	
	R6301	RK73HB1J220J	MG RESISTOR	22Ω 1/16W J	1	
	R6302	RK73HB1J220J	MG RESISTOR	22Ω 1/16W J	1	
	R6314	RK73HB1J103J	MG RESISTOR	10kΩ 1/16W J	1	
	R6315	RK73HB1J103J	MG RESISTOR	10kΩ 1/16W J	1	
	R6317	RK73HB1J472J	MG RESISTOR	4.7kΩ 1/16W J	1	
	R6318	RK73HB1J472J	MG RESISTOR	4.7kΩ 1/16W J	1	
	R6320	RK73HB1J472J	MG RESISTOR	4.7kΩ 1/16W J	1	
	R6321	RK73HB1J472J	MG RESISTOR	4.7kΩ 1/16W J	1	
	R6322	RK73HB1J472J	MG RESISTOR	4.7kΩ 1/16W J	1	
	R6323	RK73HB1J103J	MG RESISTOR	10kΩ 1/16W J	1	
	R6324	RK73HB1J472J	MG RESISTOR	4.7kΩ 1/16W J	1	
	R6327	RK73HB1J223J	MG RESISTOR	22kΩ 1/16W J	1	
	R6331	RK73HB1J272J	MG RESISTOR	2.7kΩ 1/16W J	1	
	RA5201	RK74HB1J680J	NET RESISTOR	68Ω 1/16W J	1	
	RA5202	RK74HB1J680J	NET RESISTOR	68Ω 1/16W J	1	
	RA5203	RK74HB1J680J	NET RESISTOR	68Ω 1/16W J	1	
	RA5204	RK74HB1J680J	NET RESISTOR	68Ω 1/16W J	1	
	RA5251	RK74HB1J473J	NET RESISTOR	47kΩ 1/16W J	1	
	RA5252	RK74HB1J473J	NET RESISTOR	47kΩ 1/16W J	1	
	RA5253	RK74HB1J220J	NET RESISTOR	22Ω 1/16W J	1	
	RA5254	RK74HB1J220J	NET RESISTOR	22Ω 1/16W J	1	
	RA5651	RK74HB1J220J	NET RESISTOR	22Ω 1/16W J	1	
	RA5652	RK74HB1J220J	NET RESISTOR	22Ω 1/16W J	1	
	RA5653	RK74HB1J473J	NET RESISTOR	47kΩ 1/16W J	1	
	RA5654	RK74HB1J473J	NET RESISTOR	47kΩ 1/16W J	1	
	RA6001	RK74HB1J101J	NET RESISTOR	100Ω 1/16W J	1	
	RA6002	RK74HB1J101J	NET RESISTOR	100Ω 1/16W J	1	
	RA6003	RK74HB1J101J	NET RESISTOR	100Ω 1/16W J	1	
	RA6301	RK74HB1J101J	NET RESISTOR	100Ω 1/16W J	1	
	RA6302	RK74HB1J220J	NET RESISTOR	22Ω 1/16W J	1	
	RA6303	RK74HB1J220J	NET RESISTOR	22Ω 1/16W J	1	
	L631	LB73G0ED-004	CHIP FERRITE		1	
	L5001	LB73G0ED-003	CHIP FERRITE		1	
	L5002	LB73G0ED-003	CHIP FERRITE		1	
	L5402	LB73G0ED-004	CHIP FERRITE		1	
	L5403	LB73G0ED-004	CHIP FERRITE		1	
	L5405	LB73G0ED-004	CHIP FERRITE		1	
	L5406	LB73G0ED-004	CHIP FERRITE		1	
	L5501	LB73G0ED-004	CHIP FERRITE		1	
	L5704	LB73G0ED-004	CHIP FERRITE		1	
	L5705	LB73G0ED-004	CHIP FERRITE		1	
	L5706	LB73G0ED-004	CHIP FERRITE		1	
	L5901	LR79Z0EW5R1N	CHIP INDUCTOR	5.1uF	1	
	L5902	LR79Z0EW5R1N	CHIP INDUCTOR	5.1uF	1	
	L5903	LR79Z0EW5R1N	CHIP INDUCTOR	5.1uF	1	
	L5904	LB73G0ED-004	CHIP FERRITE		1	
	L6025	LR79Z0JP5R1N	CHIP INDUCTOR	5.1uF	1	
	CN527	EC720AT-0516A	FFC FPC CONNE		1	
	CN561	EC720AA-0515A	FFC FPC CONNE	15P	1	
	CN562	EC720AA-0512A	FFC FPC CONNE		1	
	CN571	QGA2001F6-05X	W TO B CONNE	W-B (1-5)	1	
	CN572	QGA1501F4-03W	W TO B CONNE	W-B (1-3)	1	
	CN581	EB760AX-05C0B	B TO B CONNE	120P	1	
	CN601	EC720AB-0570A	FFC FPC CONNE	70P	1	
	F5901	FZA10BF-R50	FUSE (CC)	0.5A	1	
	F5902	FZA10BF-R50	FUSE (CC)	0.5A	1	
	VA5730	SDV1005H26//0	VARIISTOR		1	
	VA5731	SDV1005H26//0	VARIISTOR		1	
	VA5732	SDV1005H26//0	VARIISTOR		1	
	VA5733	SDV1005H26//0	VARIISTOR		1	
	VA6301	SDV1005H26//0	VARIISTOR		1	
	VA6302	SDV1005H26//0	VARIISTOR		1	

△
△

MODEL	MARK
DNX875S	

Safe	Symbol No.	Parts No.	Parts Name	Description	QTY	Local
	VA6303	SDV1005H26//0	VARIATOR		1	
	X5001	L7J-0138-00	QUARTZ CRYSTAL		1	
	X5401	L7J-0146-00	QUARTZ CRYSTAL		1	
	X5701	L7J-0156-00	QUARTZ CRYSTAL		1	
AUDIO PWB ASSY(XJ6-119K-01) <XJ6>						
	IC1	LV5680NPVC-H	MOS IC		1	
	IC41	XC6223B331P-G	ANALOG IC		1	
	IC42	XC6216B852P-G	ANALOG IC		1	
	IC101	JCV8031	IC		1	
	IC115	TC7SH17FUJC	MOS IC		1	
	IC201	TDA7715	ANALOG IC		1	
	IC260	TC74HCT4053FT	MOS IC		1	
	IC261	NJM2794RB2	BIPOLAR IC		1	
	IC301	XC6223B331P-G	ANALOG IC		1	
	IC511	TC7SET32FUJC	MOS IC		1	
	IC512	TC7SH17FUJC	MOS IC		1	
	IC601	NJW1240V	MOS IC		1	
	IC781	BA6956AN	IC		1	
	IC790	BD00C0AWFP	MOS IC		1	
	Q31	LSCR523EBFS8	TRANSISTOR		1	
	Q32	LSAR523EBFS8	TRANSISTOR		1	
	Q51	LSCR523EBFS8	TRANSISTOR		1	
	Q60	LSAR523EBFS8	TRANSISTOR		1	
	Q61	LSCR523EBFS8	TRANSISTOR		1	
	Q62	LSAR523EBFS8	TRANSISTOR		1	
	Q63	LSCR523EBFS8	TRANSISTOR		1	
	Q80	LTA014YEBFS8	DIGI TRANSISTOR		1	
	Q81	LSAR523EBFS8	TRANSISTOR		1	
	Q82	LSCR523EBFS8	TRANSISTOR		1	
	Q90	LTC024EEBFS8	DIGI TRANSISTOR		1	
	Q96	LSCR523EBFS8	TRANSISTOR		1	
	Q151	LTC014YEBFS8	DIGI TRANSISTOR		1	
	Q152	LTA043ZEBFS8	DIGI TRANSISTOR		1	
	Q155	LTC014YEBFS8	DIGI TRANSISTOR		1	
	Q156	LTA043ZEBFS8	DIGI TRANSISTOR		1	
	Q161	LTC043TEBFS8	DIGI TRANSISTOR		1	
	Q162	LTC043TEBFS8	DIGI TRANSISTOR		1	
	Q163	LTC043TEBFS8	DIGI TRANSISTOR		1	
	Q164	LTC043TEBFS8	DIGI TRANSISTOR		1	
	Q165	LTC043TEBFS8	DIGI TRANSISTOR		1	
	Q191	LTA043ZEBFS8	DIGI TRANSISTOR		1	
	Q193	LTC043TEBFS8	DIGI TRANSISTOR		1	
	Q194	LTC043TEBFS8	DIGI TRANSISTOR		1	
	Q781	LTC014YEBFS8	DIGI TRANSISTOR		1	
	D1	1N5402-BPC07	DIODE		1	
	D11	RB161MM-20	SCHOTTKY DIODE		1	
	D32	UDZV11B	ZENER DIODE		1	
	D41	GS1J-LTP	DIODE		1	
	D42	GS1J-LTP	DIODE		1	
	D43	GS1J-LTP	DIODE		1	
	D44	GS1J-LTP	DIODE		1	
	D55	UDZV6.2B	ZENER DIODE		1	
	D60	1SS355VM	DIODE		1	
	D61	1SS355VM	DIODE		1	
	D71	DAP202UM	DIODE		1	
	D80	1SS355VM	DIODE		1	
	D90	1SS355VM	DIODE		1	
	D96	UDZV16B	ZENER DIODE		1	
	D101	DAP202UM	DIODE		1	
	D151	DAP202UM	DIODE		1	
	D155	DAP202UM	DIODE		1	
	D191	DAP202UM	DIODE		1	
	D202	1SS355VM	DIODE		1	
	D203	DAP202UM	DIODE		1	
	D204	DAP202UM	DIODE		1	
	D205	DAP202UM	DIODE		1	
	D260	1SS355VM	DIODE		1	
	D261	UDZV4.7B	ZENER DIODE		1	
	D302	GS1J-LTP	DIODE		1	
	D781	UDZV5.1B	ZENER DIODE		1	
	C1	CD04AZ1C332M2	E CAPACITOR	3300uF 16V M	1	
	C11	CE32CB1V101M	E CAPACITOR	100uF 35V M	1	
	C12	CK73HXR1H103K	C CAPACITOR	0.01uF 50V K	1	
	C13	CE32CB1C470M	E CAPACITOR	47uF 16V M	1	
	C14	CE32CB1C470M	E CAPACITOR	47uF 16V M	1	
	C15	CE32CB1A101M	E CAPACITOR	100uF 10V M	1	
	C16	CE32CC1C221M	E CAPACITOR	220uF 16V M	1	
	C18	CK73FXR1E106K	C CAPACITOR	10uF 25V K	1	
	C19	CK73FXR1E106K	C CAPACITOR	10uF 25V K	1	
	C20	CE32CC1C221M	E CAPACITOR	220uF 16V M	1	
	C21	CK73HXR1H104K	C CAPACITOR	0.1uF 50V K	1	
	C23	CK73HXR1C105K	C CAPACITOR	1uF 16V K	1	
	C24	CK73HXR1E104K	C CAPACITOR	0.1uF 25V K	1	
	C25	CK73HXR1E224K	C CAPACITOR	0.22uF 25V K	1	
	C26	CK73HXR1A104K	C CAPACITOR	0.1uF 10V K	1	
	C27	CE32CC1C221M	E CAPACITOR	220uF 16V M	1	
	C31	CK73HXR1H104K	C CAPACITOR	0.1uF 50V K	1	
	C32	CK73HXR1E333K	C CAPACITOR	0.033uF 25V K	1	
	C41	CK73GXR1E225K	C CAPACITOR	2.2uF 25V K	1	
	C42	CK73GXR1E225K	C CAPACITOR	2.2uF 25V K	1	
	C43	CK73GXR1E225K	C CAPACITOR	2.2uF 25V K	1	

MODEL	MARK
DNX875S	

Safe	Symbol No.	Parts No.	Parts Name	Description	QTY	Local
	C44	CK73GXR1E225K	C CAPACITOR	2.2uF 25V K	1	
	C51	CK73HXR1H103K	C CAPACITOR	0.01uF 50V K	1	
	C52	CK73HXR1C105K	C CAPACITOR	1uF 16V K	1	
	C60	CC73HCH1H101J	C CAPACITOR	100pF 50V J	1	
	C71	CK73HXR1H104K	C CAPACITOR	0.1uF 50V K	1	
	C80	CK73GXR1E225K	C CAPACITOR	2.2uF 25V K	1	
	C90	CK73HXR1H103K	C CAPACITOR	0.01uF 50V K	1	
	C96	CK73HXR1H103K	C CAPACITOR	0.01uF 50V K	1	
	C97	CK73HXR1H103K	C CAPACITOR	0.01uF 50V K	1	
	C100	CE32CB1C100M	E CAPACITOR	10uF 16V M	1	
	C101	CK73HXR1E474K	C CAPACITOR	0.47uF 25V K	1	
	C102	CK73HXR1E474K	C CAPACITOR	0.47uF 25V K	1	
	C103	CK73HXR1E474K	C CAPACITOR	0.47uF 25V K	1	
	C104	CK73HXR1E474K	C CAPACITOR	0.47uF 25V K	1	
	C105	CC73HCH1H050C	C CAPACITOR	5pF 50V C	1	
	C106	CC73HCH1H050C	C CAPACITOR	5pF 50V C	1	
	C109	CK73HXR1E474K	C CAPACITOR	0.47uF 25V K	1	
	C110	CK73HXR1E474K	C CAPACITOR	0.47uF 25V K	1	
	C111	CK73HXR1E474K	C CAPACITOR	0.47uF 25V K	1	
	C112	CK73HXR1E474K	C CAPACITOR	0.47uF 25V K	1	
	C113	CK73HXR1E474K	C CAPACITOR	0.47uF 25V K	1	
	C114	CK73HXR1E474K	C CAPACITOR	0.47uF 25V K	1	
	C115	CK73HXR1A104K	C CAPACITOR	0.1uF 10V K	1	
	C121	CK73HXR1H102K	C CAPACITOR	1000pF 50V K	1	
	C122	CK73HXR1H102K	C CAPACITOR	1000pF 50V K	1	
	C123	CK73HXR1H102K	C CAPACITOR	1000pF 50V K	1	
	C124	CK73HXR1H102K	C CAPACITOR	1000pF 50V K	1	
	C125	CK73HXR1H102K	C CAPACITOR	1000pF 50V K	1	
	C126	CK73HXR1H102K	C CAPACITOR	1000pF 50V K	1	
	C127	CK73HXR1H102K	C CAPACITOR	1000pF 50V K	1	
	C128	CK73HXR1H102K	C CAPACITOR	1000pF 50V K	1	
	C131	CC73HCH1H221J	C CAPACITOR	220pF 50V J	1	
	C132	CC73HCH1H221J	C CAPACITOR	220pF 50V J	1	
	C133	CC73HCH1H221J	C CAPACITOR	220pF 50V J	1	
	C134	CC73HCH1H221J	C CAPACITOR	220pF 50V J	1	
	C135	CC73HCH1H221J	C CAPACITOR	220pF 50V J	1	
	C136	CC73HCH1H221J	C CAPACITOR	220pF 50V J	1	
	C137	CC73HCH1H221J	C CAPACITOR	220pF 50V J	1	
	C138	CC73HCH1H221J	C CAPACITOR	220pF 50V J	1	
	C145	CK73HXR1C105K	C CAPACITOR	1uF 16V K	1	
	C146	CK73HXR1C105K	C CAPACITOR	1uF 16V K	1	
	C151	CE32CB1C100M	E CAPACITOR	10uF 16V M	1	
	C152	CE32CB1C100M	E CAPACITOR	10uF 16V M	1	
	C153	CK73EXR1E106K	C CAPACITOR	10uF 25V K	1	
	C154	CK73EXR1E106K	C CAPACITOR	10uF 25V K	1	
	C155	CK73EXR1E106K	C CAPACITOR	10uF 25V K	1	
	C171	CK73HXR1H102K	C CAPACITOR	1000pF 50V K	1	
	C172	CK73HXR1H102K	C CAPACITOR	1000pF 50V K	1	
	C173	CK73HXR1H102K	C CAPACITOR	1000pF 50V K	1	
	C174	CK73HXR1H102K	C CAPACITOR	1000pF 50V K	1	
	C175	CK73HXR1H102K	C CAPACITOR	1000pF 50V K	1	
	C177	CK73HXR1H102K	C CAPACITOR	1000pF 50V K	1	
	C191	CK73EXR1E106K	C CAPACITOR	10uF 25V K	1	
	C192	CK73EXR1E106K	C CAPACITOR	10uF 25V K	1	
	C195	CK73HXR1H102K	C CAPACITOR	1000pF 50V K	1	
	C196	CK73HXR1H102K	C CAPACITOR	1000pF 50V K	1	
	C197	CK73HXR1H102K	C CAPACITOR	1000pF 50V K	1	
	C201	CE32CB1C470M	E CAPACITOR	47uF 16V M	1	
	C202	CK73HXR1H103K	C CAPACITOR	0.01uF 50V K	1	
	C203	CK73HXR1H103K	C CAPACITOR	0.01uF 50V K	1	
	C204	CK73FXR1E106K	C CAPACITOR	10uF 25V K	1	
	C205	CK73HXR1C105K	C CAPACITOR	1uF 16V K	1	
	C206	CK73HXR1C105K	C CAPACITOR	1uF 16V K	1	
	C207	CK73HXR0J474K	C CAPACITOR	0.47uF 6.3V K	1	
	C208	CK73HXR1C105K	C CAPACITOR	1uF 16V K	1	
	C209	CK73HXR0J474K	C CAPACITOR	0.47uF 6.3V K	1	
	C211	CK73HXR1C105K	C CAPACITOR	1uF 16V K	1	
	C212	CK73HXR1C105K	C CAPACITOR	1uF 16V K	1	
	C215	CK73HXR1C105K	C CAPACITOR	1uF 16V K	1	
	C216	CK73HXR1C105K	C CAPACITOR	1uF 16V K	1	
	C217	CK73HXR1C105K	C CAPACITOR	1uF 16V K	1	
	C218	CK73HXR1C105K	C CAPACITOR	1uF 16V K	1	
	C219	CK73HXR1C105K	C CAPACITOR	1uF 16V K	1	
	C220	CK73HXR1C105K	C CAPACITOR	1uF 16V K	1	
	C223	CK73HXR1C105K	C CAPACITOR	1uF 16V K	1	
	C224	CK73HXR1C105K	C CAPACITOR	1uF 16V K	1	
	C225	CK73FXR1E106K	C CAPACITOR	10uF 25V K	1	
	C227	CK73HXR1C105K	C CAPACITOR	1uF 16V K	1	
	C228	CK73HXR1C105K	C CAPACITOR	1uF 16V K	1	
	C229	CK73FXR1E106K	C CAPACITOR	10uF 25V K	1	
	C234	CK73HXR1H103K	C CAPACITOR	0.01uF 50V K	1	
	C235	CK73HXR1H103K	C CAPACITOR	0.01uF 50V K	1	
	C264	CK73HXR1H102K	C CAPACITOR	1000pF 50V K	1	
	C265	CK73HXR1H102K	C CAPACITOR	1000pF 50V K	1	
	C266	CK73HXR1H102K	C CAPACITOR	1000pF 50V K	1	
	C267	CK73FXR1E106K	C CAPACITOR	10uF 25V K	1	
	C268	CK73HXR1E104K	C CAPACITOR	0.1uF 25V K	1	
	C272	CK73GXR1E225K	C CAPACITOR	2.2uF 25V K	1	
	C273	CK73GXR1E225K	C CAPACITOR	2.2uF 25V K	1	
	C274	CK73GXR1E225K	C CAPACITOR	2.2uF 25V K	1	
	C275	CK73HXR1C105K	C CAPACITOR	1uF 16V K	1	
	C276	CK73HXR1C105K	C CAPACITOR	1uF 16V K	1	
	C277	CK73HXR1C105K	C CAPACITOR	1uF 16V K	1	

MODEL	MARK
DNX875S	

Safe	Symbol No.	Parts No.	Parts Name	Description	QTY	Local
	C278	CK73HXR1C105K	C CAPACITOR	1uF 16V K	1	
	C279	CK73HXR1H103K	C CAPACITOR	0.01uF 50V K	1	
	C280	CK73FXR1E106K	C CAPACITOR	10uF 25V K	1	
	C281	CK73FXR1E106K	C CAPACITOR	10uF 25V K	1	
	C282	CK73FXR1E106K	C CAPACITOR	10uF 25V K	1	
	C283	CK73HXR1H102K	C CAPACITOR	1000pF 50V K	1	
	C284	CK73HXR1H102K	C CAPACITOR	1000pF 50V K	1	
	C285	CK73HXR1H102K	C CAPACITOR	1000pF 50V K	1	
	C286	CK73FXR1E106K	C CAPACITOR	10uF 25V K	1	
	C302	CK73GXR1E225K	C CAPACITOR	2.2uF 25V K	1	
	C303	CK73HXR1A104K	C CAPACITOR	0.1uF 10V K	1	
	C304	CK73HXR1H102K	C CAPACITOR	1000pF 50V K	1	
	C305	CK73HXR1A104K	C CAPACITOR	0.1uF 10V K	1	
	C306	CK73GXR1A106K	C CAPACITOR	10uF 10V K	1	
	C308	CK73HXR1A104K	C CAPACITOR	0.1uF 10V K	1	
	C309	CK73HXR1H103K	C CAPACITOR	0.01uF 50V K	1	
	C321	CK73HXR1A104K	C CAPACITOR	0.1uF 10V K	1	
	C322	CK73HXR1H103K	C CAPACITOR	0.01uF 50V K	1	
	C501	CK73GXR1E225K	C CAPACITOR	2.2uF 25V K	1	
	C502	CK73GXR1E225K	C CAPACITOR	2.2uF 25V K	1	
	C503	CK73GXR1E225K	C CAPACITOR	2.2uF 25V K	1	
	C511	CK73HXR1A104K	C CAPACITOR	0.1uF 10V K	1	
	C512	CK73HXR1A104K	C CAPACITOR	0.1uF 10V K	1	
	C601	CE32CB1C100M	E CAPACITOR	10uF 16V M	1	
	C602	CE32CB1C100M	E CAPACITOR	10uF 16V M	1	
	C603	CK73EXR1E106K	C CAPACITOR	10uF 25V K	1	
	C604	CK73EXR1E106K	C CAPACITOR	10uF 25V K	1	
	C605	CK73EXR1E106K	C CAPACITOR	10uF 25V K	1	
	C610	CK73FXR1E106K	C CAPACITOR	10uF 25V K	1	
	C611	CK73HXR1H103K	C CAPACITOR	0.01uF 50V K	1	
	C612	CK73HXR1C105K	C CAPACITOR	1uF 16V K	1	
	C613	CK73HXR1C105K	C CAPACITOR	1uF 16V K	1	
	C614	CK73HXR1C105K	C CAPACITOR	1uF 16V K	1	
	C616	CK73HXR1C105K	C CAPACITOR	1uF 16V K	1	
	C618	CK73HXR1C105K	C CAPACITOR	1uF 16V K	1	
	C619	CK73HXR1H102K	C CAPACITOR	1000pF 50V K	1	
	C711	CK73GXR1C475K	C CAPACITOR	4.7uF 16V K	1	
	C712	CK73GXR1C475K	C CAPACITOR	4.7uF 16V K	1	
	C713	CK73GXR1C475K	C CAPACITOR	4.7uF 16V K	1	
	C714	CK73GXR1C475K	C CAPACITOR	4.7uF 16V K	1	
	C715	CK73GXR1C475K	C CAPACITOR	4.7uF 16V K	1	
	C716	CK73GXR1C475K	C CAPACITOR	4.7uF 16V K	1	
	C721	CK73GXR1C475K	C CAPACITOR	4.7uF 16V K	1	
	C722	CK73GXR1C475K	C CAPACITOR	4.7uF 16V K	1	
	C781	CE32CB1V101M	E CAPACITOR	100uF 35V M	1	
	C790	CK73EXR1H106K	C CAPACITOR	10uF 50V K	1	
	C791	CK73FXR1E106K	C CAPACITOR	10uF 25V K	1	
	C792	CK73FXR1E106K	C CAPACITOR	10uF 25V K	1	
	R15	RK73HH1J273D	MG RESISTOR	27kΩ 1/16W D	1	
	R17	RK73HH1J472D	MG RESISTOR	4.7kΩ 1/16W D	1	
	R18	RK73HB1J101J	MG RESISTOR	100Ω 1/16W J	1	
	R19	RK73HB1J101J	MG RESISTOR	100Ω 1/16W J	1	
	R23	RK73FB2B000J	MG RESISTOR	0Ω 1/8W J	1	
	R24	RK73FB2B000J	MG RESISTOR	0Ω 1/8W J	1	
	R25	RK73FB2B000J	MG RESISTOR	0Ω 1/8W J	1	
	R27	RK73FB2B000J	MG RESISTOR	0Ω 1/8W J	1	
	R31	RK73EB2E622J	MG RESISTOR	6.2kΩ 1/4W J	1	
	R32	RK73EB2E622J	MG RESISTOR	6.2kΩ 1/4W J	1	
	R33	RK73HH1J753D	MG RESISTOR	75kΩ 1/16W D	1	
	R34	RK73HH1J104D	MG RESISTOR	100kΩ 1/16W D	1	
	R35	RK73HH1J474D	MG RESISTOR	470kΩ 1/16W D	1	
	R36	RK73HB1J224J	MG RESISTOR	220kΩ 1/16W J	1	
	R37	RK73EB2E153J	MG RESISTOR	15kΩ 1/4W J	1	
	R38	RK73GB2A101J	MG RESISTOR	100Ω 1/10W J	1	
	R41	RK73FB2B472J	MG RESISTOR	4.7kΩ 1/8W J	1	
	R42	RK73FB2B472J	MG RESISTOR	4.7kΩ 1/8W J	1	
	R50	RK73HB1J223J	MG RESISTOR	22kΩ 1/16W J	1	
	R51	RK73GB2A472J	MG RESISTOR	4.7kΩ 1/10W J	1	
	R52	RK73GB2A472J	MG RESISTOR	4.7kΩ 1/10W J	1	
	R53	RK73GB2A223J	MG RESISTOR	22kΩ 1/10W J	1	
	R54	RK73HB1J333J	MG RESISTOR	33kΩ 1/16W J	1	
	R55	RK73GB2A152J	MG RESISTOR	1.5kΩ 1/10W J	1	
	R60	RK73HB1J182J	MG RESISTOR	1.8kΩ 1/16W J	1	
	R61	RK73GB2A111J	MG RESISTOR	110Ω 1/10W J	1	
	R62	RK73HB1J103J	MG RESISTOR	10kΩ 1/16W J	1	
	R63	RK73HB1J243J	MG RESISTOR	24kΩ 1/16W J	1	
	R64	RK73HB1J472J	MG RESISTOR	4.7kΩ 1/16W J	1	
	R65	RK73HB1J472J	MG RESISTOR	4.7kΩ 1/16W J	1	
	R66	RK73HB1J103J	MG RESISTOR	10kΩ 1/16W J	1	
	R67	RK73HB1J473J	MG RESISTOR	47kΩ 1/16W J	1	
	R68	RK73HB1J223J	MG RESISTOR	22kΩ 1/16W J	1	
	R69	RK73HB1J472J	MG RESISTOR	4.7kΩ 1/16W J	1	
	R70	RK73HB1J473J	MG RESISTOR	47kΩ 1/16W J	1	
	R72	RK73HB1J123J	MG RESISTOR	12kΩ 1/16W J	1	
	R73	RK73HB1J683J	MG RESISTOR	68kΩ 1/16W J	1	
	R74	RK73HB1J103J	MG RESISTOR	10kΩ 1/16W J	1	
	R80	RK73HB1J471J	MG RESISTOR	470Ω 1/16W J	1	
	R81	RK73HB1J473J	MG RESISTOR	47kΩ 1/16W J	1	
	R82	RK73FB2B103J	MG RESISTOR	10kΩ 1/8W J	1	
	R83	RK73HB1J223J	MG RESISTOR	22kΩ 1/16W J	1	
	R84	RK73HB1J473J	MG RESISTOR	47kΩ 1/16W J	1	
	R90	RK73GB2A272J	MG RESISTOR	2.7kΩ 1/10W J	1	

MODEL	MARK
DNX875S	

Safe	Symbol No.	Parts No.	Parts Name	Description	QTY	Local
R91		RK73HB1J102J	MG RESISTOR	1kΩ 1/16W J	1	
R96		RK73FB2B752J	MG RESISTOR	7.5kΩ 1/8W J	1	
R97		RK73HB1J753J	MG RESISTOR	75kΩ 1/16W J	1	
R98		RK73HB1J223J	MG RESISTOR	22kΩ 1/16W J	1	
R100		RK73HB1J473J	MG RESISTOR	47kΩ 1/16W J	1	
R101		RK73HB1J000J	MG RESISTOR	0Ω 1/16W J	1	
R102		RK73HB1J000J	MG RESISTOR	0Ω 1/16W J	1	
R103		RK73HB1J000J	MG RESISTOR	0Ω 1/16W J	1	
R104		RK73HB1J000J	MG RESISTOR	0Ω 1/16W J	1	
R115		RK73HB1J101J	MG RESISTOR	100Ω 1/16W J	1	
R142		RK73HB1J331J	MG RESISTOR	330Ω 1/16W J	1	
R143		RK73HB1J223J	MG RESISTOR	22kΩ 1/16W J	1	
R144		RK73HB1J751J	MG RESISTOR	750Ω 1/16W J	1	
R145		RK73HB1J333J	MG RESISTOR	33kΩ 1/16W J	1	
R146		RK73HB1J3R0J	MG RESISTOR	3Ω 1/16W J	1	
R147		RK73HB1J000J	MG RESISTOR	0Ω 1/16W J	1	
R148		RK73HB1J000J	MG RESISTOR	0Ω 1/16W J	1	
R151		RK73HB1J471J	MG RESISTOR	470Ω 1/16W J	1	
R152		RK73HB1J471J	MG RESISTOR	470Ω 1/16W J	1	
R153		RK73HB1J471J	MG RESISTOR	470Ω 1/16W J	1	
R154		RK73HB1J471J	MG RESISTOR	470Ω 1/16W J	1	
R155		RK73HB1J471J	MG RESISTOR	470Ω 1/16W J	1	
R156		RK73HB1J473J	MG RESISTOR	47kΩ 1/16W J	1	
R157		RK73HB1J000J	MG RESISTOR	0Ω 1/16W J	1	
R159		RK73HB1J473J	MG RESISTOR	47kΩ 1/16W J	1	
R161		RK73HB1J223J	MG RESISTOR	22kΩ 1/16W J	1	
R162		RK73HB1J223J	MG RESISTOR	22kΩ 1/16W J	1	
R163		RK73HB1J223J	MG RESISTOR	22kΩ 1/16W J	1	
R164		RK73HB1J223J	MG RESISTOR	22kΩ 1/16W J	1	
R165		RK73HB1J223J	MG RESISTOR	22kΩ 1/16W J	1	
R171		RK73GB2A101J	MG RESISTOR	100Ω 1/10W J	1	
R172		RK73GB2A101J	MG RESISTOR	100Ω 1/10W J	1	
R173		RK73GB2A101J	MG RESISTOR	100Ω 1/10W J	1	
R174		RK73GB2A101J	MG RESISTOR	100Ω 1/10W J	1	
R175		RK73GB2A101J	MG RESISTOR	100Ω 1/10W J	1	
R191		RK73HB1J471J	MG RESISTOR	470Ω 1/16W J	1	
R192		RK73HB1J471J	MG RESISTOR	470Ω 1/16W J	1	
R193		RK73HB1J223J	MG RESISTOR	22kΩ 1/16W J	1	
R194		RK73HB1J223J	MG RESISTOR	22kΩ 1/16W J	1	
R195		RK73GB2A101J	MG RESISTOR	100Ω 1/10W J	1	
R196		RK73GB2A101J	MG RESISTOR	100Ω 1/10W J	1	
R201		RK73GB2A2R2J	MG RESISTOR	2.2Ω 1/10W J	1	
R202		RK73HB1J102J	MG RESISTOR	1kΩ 1/16W J	1	
R204		RK73HB1J103J	MG RESISTOR	10kΩ 1/16W J	1	
R205		RK73HB1J101J	MG RESISTOR	100Ω 1/16W J	1	
R206		RK73HB1J101J	MG RESISTOR	100Ω 1/16W J	1	
R209		RK73HB1J101J	MG RESISTOR	100Ω 1/16W J	1	
R264		RK73HB1J473J	MG RESISTOR	47kΩ 1/16W J	1	
R265		RK73HB1J473J	MG RESISTOR	47kΩ 1/16W J	1	
R266		RK73HB1J473J	MG RESISTOR	47kΩ 1/16W J	1	
R274		RK73HB1J473J	MG RESISTOR	47kΩ 1/16W J	1	
R275		RK73HB1J473J	MG RESISTOR	47kΩ 1/16W J	1	
R276		RK73HB1J473J	MG RESISTOR	47kΩ 1/16W J	1	
R279		RK73HB1J473J	MG RESISTOR	47kΩ 1/16W J	1	
R280		RK73HB1J473J	MG RESISTOR	47kΩ 1/16W J	1	
R281		RK73HB1J473J	MG RESISTOR	47kΩ 1/16W J	1	
R283		RK73HB1J473J	MG RESISTOR	47kΩ 1/16W J	1	
R284		RK73HB1J473J	MG RESISTOR	47kΩ 1/16W J	1	
R285		RK73HB1J473J	MG RESISTOR	47kΩ 1/16W J	1	
R290		RK73HB1J102J	MG RESISTOR	1kΩ 1/16W J	1	
R291		RK73HB1J222J	MG RESISTOR	2.2kΩ 1/16W J	1	
R293		RK73GB2A2R2J	MG RESISTOR	2.2Ω 1/10W J	1	
R294		RK73HB1J473J	MG RESISTOR	47kΩ 1/16W J	1	
R301		RK73HB1J473J	MG RESISTOR	47kΩ 1/16W J	1	
R331		RK73HB1J000J	MG RESISTOR	0Ω 1/16W J	1	
R332		RK73HB1J000J	MG RESISTOR	0Ω 1/16W J	1	
R333		RK73HB1J000J	MG RESISTOR	0Ω 1/16W J	1	
R334		RK73HB1J000J	MG RESISTOR	0Ω 1/16W J	1	
R500		RK73EB2E000J	MG RESISTOR	0Ω 1/4W J	1	
R501		RK73GB2A100J	MG RESISTOR	10Ω 1/10W J	1	
R502		RK73GB2A100J	MG RESISTOR	10Ω 1/10W J	1	
R503		RK73GB2A100J	MG RESISTOR	10Ω 1/10W J	1	
R511		RK73GB2A101J	MG RESISTOR	100Ω 1/10W J	1	
R512		RK73GB2A101J	MG RESISTOR	100Ω 1/10W J	1	
R513		RK73GB2A101J	MG RESISTOR	100Ω 1/10W J	1	
R514		RK73HB1J2R2J	MG RESISTOR	2.2Ω 1/16W J	1	
R515		RK73HB1J272J	MG RESISTOR	2.7kΩ 1/16W J	1	
R516		RK73HB1J473J	MG RESISTOR	47kΩ 1/16W J	1	
R517		RK73HB1J272J	MG RESISTOR	2.7kΩ 1/16W J	1	
R581		RK73HB1J100J	MG RESISTOR	10Ω 1/16W J	1	
R582		RK73HB1J100J	MG RESISTOR	10Ω 1/16W J	1	
R583		RK73HB1J100J	MG RESISTOR	10Ω 1/16W J	1	
R611		RK73GB2A2R2J	MG RESISTOR	2.2Ω 1/10W J	1	
R612		RK73HB1J103J	MG RESISTOR	10kΩ 1/16W J	1	
R614		RK73HB1J102J	MG RESISTOR	1kΩ 1/16W J	1	
R615		RK73HB1J100J	MG RESISTOR	10Ω 1/16W J	1	
R616		RK73HB1J684J	MG RESISTOR	680kΩ 1/16W J	1	
R781		RK73HB1J102J	MG RESISTOR	1kΩ 1/16W J	1	
R782		RK73HB1J222J	MG RESISTOR	2.2kΩ 1/16W J	1	
R784		RK73FB2B000J	MG RESISTOR	0Ω 1/8W J	1	
R787		RK73HB1J105J	MG RESISTOR	1MΩ 1/16W J	1	
R788		RK73HB1J000J	MG RESISTOR	0Ω 1/16W J	1	

MODEL	MARK
DNX875S	

Safe	Symbol No.	Parts No.	Parts Name	Description	QTY	Local
	R789	RK73HB1J000J	MG RESISTOR	0Ω 1/16W J	1	
	R792	RK73HH1J752D	MG RESISTOR	7.5kΩ 1/16W D	1	
	R793	RK73HH1J823D	MG RESISTOR	82kΩ 1/16W D	1	
	R794	RK73HH1J752D	MG RESISTOR	7.5kΩ 1/16W D	1	
	R795	RK73HB1J101J	MG RESISTOR	100Ω 1/16W J	1	
	R1101	RK73HB1J000J	MG RESISTOR	0Ω 1/16W J	1	
	R1102	RK73HB1J000J	MG RESISTOR	0Ω 1/16W J	1	
	R1103	RK73HB1J000J	MG RESISTOR	0Ω 1/16W J	1	
	R1104	RK73HB1J000J	MG RESISTOR	0Ω 1/16W J	1	
	R1111	RK73HB1J120J	MG RESISTOR	12Ω 1/16W J	1	
	R1112	RK73HB1J120J	MG RESISTOR	12Ω 1/16W J	1	
	R1113	RK73HB1J120J	MG RESISTOR	12Ω 1/16W J	1	
	R1114	RK73HB1J120J	MG RESISTOR	12Ω 1/16W J	1	
	R1146	RK73HB1J000J	MG RESISTOR	0Ω 1/16W J	1	
	L1	QQR1927-001	CHOKE COIL		1	
	L301	LR73Z0AD4R7M	CHIP INDUCTOR	4.7uH	1	
	L601	LK73G0AQ1R0K	M.CHIP INDUCTOR	1uH	1	
	CN201	EC720AA-0560A	FFC FPC CONNE	60P	1	
	CN301	EC720AA-0550A	FFC FPC CONNE	50P	1	
	CN302	QGA2001C1-04	W TO B CONNE	W-B (1-4)	1	
	CN781	QGA1201F2-05X	W TO B CONNE	W-B (1-5)	1	
△	F6	F53-0513-08	PATTERN FUSE	4A	1	
△	F7	F53-0513-08	PATTERN FUSE	4A	1	
△	F171	F53-0513-08	PATTERN FUSE	4A	1	
△	F191	F53-0513-08	PATTERN FUSE	4A	1	
△	F581	F53-0513-08	PATTERN FUSE	4A	1	
	J1	E5J-0022-00	R.RECEPTACLE	24P	1	
	J151	QNN0889-001	PIN JACK		1	
	J191	QNS0307-001	3.5 JACK		1	
	J501	QNZ0907-001	CIR CONNECTOR		1	
	J581	QNS0307-001	3.5 JACK		1	
	VA52	SDV1005E18//2	VARIATOR		1	
	VA60	SDV1005E18//2	VARIATOR		1	
	VA62	SDV1005E18//2	VARIATOR		1	
	VA72	SDV1005E18//2	VARIATOR		1	
	VA74	SDV1005E18//2	VARIATOR		1	
	VA75	SDV1005E18//2	VARIATOR		1	
	VA96	SDV1005E18//2	VARIATOR		1	
	VA171	SDV1005A14//0	VARIATOR		1	
	VA172	SDV1005A14//0	VARIATOR		1	
	VA173	SDV1005A14//0	VARIATOR		1	
	VA174	SDV1005A14//0	VARIATOR		1	
	VA175	SDV1005A14//0	VARIATOR		1	
	VA177	SDV1005A14//0	VARIATOR		1	
	VA195	SDV1005A14//0	VARIATOR		1	
	VA196	SDV1005A14//0	VARIATOR		1	
	VA197	SDV1005A14//0	VARIATOR		1	
	VA301	FOK-0010-00	SURGE ABSORBER		1	
	VA501	SDV1005A14//0	VARIATOR		1	
	VA502	SDV1005A14//0	VARIATOR		1	
	VA503	SDV1005A14//0	VARIATOR		1	
	VA511	SDV1005E18//2	VARIATOR		1	
	VA512	SDV1005E18//2	VARIATOR		1	
	VA513	SDV1005E18//2	VARIATOR		1	
	VA581	SDV1005A14//0	VARIATOR		1	
	VA582	SDV1005A14//0	VARIATOR		1	
	VA583	SDV1005A14//0	VARIATOR		1	
	W301	QAM1484-001	CAR CABLE		1	
	VIDEO PWB ASSY(XJ8-023K-05) <XJ8>					
	IC100	W3F-0375-00	MCU IC		1	
	IC102	BU4228F	ANALOG IC		1	
	IC103	XC6223B331P-G	ANALOG IC		1	
	IC105	74AHC1G32GW	MOS IC		1	
	IC106	TC7SH17FUJ	MOS IC		1	
	IC200	LM3481MMXNOPB	ANALOG IC		1	
	IC201	TC7SH17FUJ	MOS IC		1	
	IC202	XC6213B332N-G	MOS IC		1	
	IC300	NJM2831F92	BIPOLAR IC		1	
	IC401	TC7WH125FKJC	MOS IC		1	
	IC402	TC7SH00FUJF	MOS IC		1	
	IC502	-----	MOS IC	NO SERVICE PART	1	
	IC503	XC6223B331P-G	ANALOG IC		1	
	Q100	LTC014YEBFS8	DIGI TRANSISTOR		1	
	Q101	LTC014YEBFS8	DIGI TRANSISTOR		1	
	Q200	LTA043ZEBFS8	DIGI TRANSISTOR		1	
	Q201	LSAR523UBFS8	TRANSISTOR		1	
	Q202	RTQ035N03	FET		1	
	Q203	LSAR523UBFS8	TRANSISTOR		1	
	Q204	LSCR523UBFS8	TRANSISTOR		1	
	Q205	LSCR523UBFS8	TRANSISTOR		1	
	Q206	LSCR523UBFS8	TRANSISTOR		1	
	Q207	LSAR523UBFS8	TRANSISTOR		1	
	Q208	LSCR523UBFS8	TRANSISTOR		1	
	Q209	LSCR523UBFS8	TRANSISTOR		1	
	Q210	LSCR523UBFS8	TRANSISTOR		1	
	Q211	LSCR523UBFS8	TRANSISTOR		1	
	Q212	LSCR523UBFS8	TRANSISTOR		1	
	Q213	LTC043ZEBFS8	DIGI TRANSISTOR		1	
	Q214	LTC043ZEBFS8	DIGI TRANSISTOR		1	
	Q300	LSCR523UBFS8	TRANSISTOR		1	
	Q301	LSCR523UBFS8	TRANSISTOR		1	
	Q302	LSAR523UBFS8	TRANSISTOR		1	

MODEL	MARK
DNX875S	

Safe	Symbol No.	Parts No.	Parts Name	Description	QTY	Local
	Q303	LTA014YEBFS8	DIGI TRANSISTOR		1	
	Q304	LTA014EEBFS8	DIGI TRANSISTOR		1	
	Q305	LTC014YEBFS8	DIGI TRANSISTOR		1	
	Q306	LTC014YEBFS8	DIGI TRANSISTOR		1	
	Q307	LSAR523UBFS8	TRANSISTOR		1	
	Q308	LSCR523UBFS8	TRANSISTOR		1	
	Q309	LSCR523UBFS8	TRANSISTOR		1	
	Q310	LTA014YEBFS8	DIGI TRANSISTOR		1	
	Q311	LTC014YEBFS8	DIGI TRANSISTOR		1	
	Q312	LSCR523UBFS8	TRANSISTOR		1	
	Q313	LSCR523UBFS8	TRANSISTOR		1	
	Q400	LSCR523UBFS8	TRANSISTOR		1	
	Q401	LSAR523UBFS8	TRANSISTOR		1	
	Q402	LTC014YEBFS8	DIGI TRANSISTOR		1	
	Q403	LTC014YEBFS8	DIGI TRANSISTOR		1	
	Q404	LTC014YEBFS8	DIGI TRANSISTOR		1	
	Q405	LTC014YEBFS8	DIGI TRANSISTOR		1	
	Q600	LSCR523UBFS8	TRANSISTOR		1	
	Q601	LSCR523UBFS8	TRANSISTOR		1	
	Q602	LSCR523UBFS8	TRANSISTOR		1	
	D100	RB521S-30	SCHOTTKY DIODE		1	
	D200	SJPB-L4	SCHOTTKY DIODE		1	
	D201	DA2J101	DIODE		1	
	D202	DA2J101	DIODE		1	
	D705	MC2850-1	DIODE ARRAY		1	
	C100	CC73HCH1H221J	C CAPACITOR	220pF 50V J	1	
	C101	CC73HCH1H101J	C CAPACITOR	100pF 50V J	1	
	C102	CC73HCH1H101J	C CAPACITOR	100pF 50V J	1	
	C103	CC73HCH1H101J	C CAPACITOR	100pF 50V J	1	
	C104	CC73HCH1H101J	C CAPACITOR	100pF 50V J	1	
	C105	CC73HCH1H221J	C CAPACITOR	220pF 50V J	1	
	C106	CK73HBB1C473K	C CAPACITOR	0.047uF 16V K	1	
	C107	CK73HBB1A104K	C CAPACITOR	0.1uF 10V K	1	
	C108	CK73HBB1A104K	C CAPACITOR	0.1uF 10V K	1	
	C109	CK73HBB1A104K	C CAPACITOR	0.1uF 10V K	1	
	C111	CK73HXR0J105K	C CAPACITOR	1uF 6.3V K	1	
	C112	CK73HXR0J105K	C CAPACITOR	1uF 6.3V K	1	
	C113	CK73GBB0J105K	C CAPACITOR	1uF 6.3V K	1	
	C114	CK73EBB1A106K	C CAPACITOR	10uF 10V K	1	
	C115	CK73GBB0J105K	C CAPACITOR	1uF 6.3V K	1	
	C116	CK73HBB1A104K	C CAPACITOR	0.1uF 10V K	1	
	C117	CK73HBB1A104K	C CAPACITOR	0.1uF 10V K	1	
	C119	CK73HBB1H472K	C CAPACITOR	4700pF 50V K	1	
	C120	CK73HBB1H102K	C CAPACITOR	1000pF 50V K	1	
	C121	CK73HXR1A105K	C CAPACITOR	1uF 10V K	1	
	C123	RK73HB1J473J	MG RESISTOR	47kΩ 1/16W J	1	
	C124	RK73HB1J473J	MG RESISTOR	47kΩ 1/16W J	1	
	C125	RK73HB1J473J	MG RESISTOR	47kΩ 1/16W J	1	
	C126	RK73HB1J473J	MG RESISTOR	47kΩ 1/16W J	1	
	C127	CK73GXR0J475K	C CAPACITOR	4.7uF 6.3V K	1	
	C200	CK73HXR0J105K	C CAPACITOR	1uF 6.3V K	1	
	C203	CK73GXR1H104K	C CAPACITOR	0.1uF 50V K	1	
	C204	CK730BG1E106K	C CAPACITOR	10uF 25V K	1	
	C205	CK730CW1E103K	C CAPACITOR	0.01uF 25V K	1	
	C206	CK73GXR1H104K	C CAPACITOR	0.1uF 50V K	1	
	C207	CK730BG1E106K	C CAPACITOR	10uF 25V K	1	
	C208	CK730BG1E106K	C CAPACITOR	10uF 25V K	1	
	C209	CK730CW1A104K	C CAPACITOR	0.1uF 10V K	1	
	C210	CK73HXR0J105K	C CAPACITOR	1uF 6.3V K	1	
	C211	CC73GCH1H391J	C CAPACITOR	390pF 50V J	1	
	C212	CK730AV0J105K	C CAPACITOR	1uF 6.3V K	1	
	C213	CK730BG1E106K	C CAPACITOR	10uF 25V K	1	
	C214	CK730CW1A104K	C CAPACITOR	0.1uF 10V K	1	
	C215	CK73GXR1H104K	C CAPACITOR	0.1uF 50V K	1	
	C216	CK730AV0J105K	C CAPACITOR	1uF 6.3V K	1	
	C217	CK73FXR0J226M	C CAPACITOR	22uF 6.3V M	1	
	C218	CK730CW1E103K	C CAPACITOR	0.01uF 25V K	1	
	C219	CK730BG1E106K	C CAPACITOR	10uF 25V K	1	
	C220	CK730BG1E106K	C CAPACITOR	10uF 25V K	1	
	C221	CK730AV0J105K	C CAPACITOR	1uF 6.3V K	1	
	C300	CK73GXR1E105K	C CAPACITOR	1uF 25V K	1	
	C301	CK73FXR1C106K	C CAPACITOR	10uF 16V K	1	
	C302	CK730BF1E475K	C CAPACITOR	4.7uF 25V K	1	
	C303	CK73GXR1H104K	C CAPACITOR	0.1uF 50V K	1	
	C304	CK73GXR1H104K	C CAPACITOR	0.1uF 50V K	1	
	C305	CK730BG1E106K	C CAPACITOR	10uF 25V K	1	
	C306	CK73FXR1E225K	C CAPACITOR	2.2uF 25V K	1	
	C307	CK73FXR1C106K	C CAPACITOR	10uF 16V K	1	
	C308	CK73GXR1E105K	C CAPACITOR	1uF 25V K	1	
	C402	CK730CW1A104K	C CAPACITOR	0.1uF 10V K	1	
	C403	CK730CW1A104K	C CAPACITOR	0.1uF 10V K	1	
	C404	CK730CW1A104K	C CAPACITOR	0.1uF 10V K	1	
	C408	CK73HBB1C104K	C CAPACITOR	0.1uF 16V K	1	
	C409	CK73HXR0J105K	C CAPACITOR	1uF 6.3V K	1	
	C410	CK730BF1E475K	C CAPACITOR	4.7uF 25V K	1	
	C411	CK73GXR1H104K	C CAPACITOR	0.1uF 50V K	1	
	C412	CK73HBB1E103K	C CAPACITOR	0.01uF 25V K	1	
	C413	CK730BF1E475K	C CAPACITOR	4.7uF 25V K	1	
	C414	CK73HBB1A104K	C CAPACITOR	0.1uF 10V K	1	
	C415	CK73HBB1E103K	C CAPACITOR	0.01uF 25V K	1	
	C416	CK73GXR0J106M	C CAPACITOR	10uF 6.3V M	1	
	C417	CK73HBB1A104K	C CAPACITOR	0.1uF 10V K	1	

MODEL	MARK
DNX875S	

Safe	Symbol No.	Parts No.	Parts Name	Description	QTY	Local
	C418	CK73HBB1E103K	C CAPACITOR	0.01uF 25V K	1	
	C419	CK73FXR1C106K	C CAPACITOR	10uF 16V K	1	
	C420	CK73FXR1C106K	C CAPACITOR	10uF 16V K	1	
	C421	CK73GXR1H104K	C CAPACITOR	0.1uF 50V K	1	
	C422	CK73HBB1E103K	C CAPACITOR	0.01uF 25V K	1	
	C423	CK73HBB1A104K	C CAPACITOR	0.1uF 10V K	1	
	C424	CK73HBB1A104K	C CAPACITOR	0.1uF 10V K	1	
	C425	CK73HBB1A104K	C CAPACITOR	0.1uF 10V K	1	
	C426	CK73HBB1A104K	C CAPACITOR	0.1uF 10V K	1	
	C427	CK73HBB1A104K	C CAPACITOR	0.1uF 10V K	1	
	C428	CK73HBB1A104K	C CAPACITOR	0.1uF 10V K	1	
	C429	CK73HBB1A104K	C CAPACITOR	0.1uF 10V K	1	
	C430	CK73HBB1A104K	C CAPACITOR	0.1uF 10V K	1	
	C431	CK73GXR1H104K	C CAPACITOR	0.1uF 50V K	1	
	C432	CK73GXR1H104K	C CAPACITOR	0.1uF 50V K	1	
	C509	CK73GBB0J105K	C CAPACITOR	1uF 6.3V K	1	
	C510	CK73GBB0J105K	C CAPACITOR	1uF 6.3V K	1	
	C511	CK73HBB1C103K	C CAPACITOR	0.01uF 16V K	1	
	C512	CK73GBB1H223K	C CAPACITOR	0.022uF 50V K	1	
	C513	CK73GBB1H223K	C CAPACITOR	0.022uF 50V K	1	
	C514	CK73GBB0J225K	C CAPACITOR	2.2uF 6.3V K	1	
	C515	CK73GBB1H223K	C CAPACITOR	0.022uF 50V K	1	
	C517	CK73GBB1H223K	C CAPACITOR	0.022uF 50V K	1	
	C518	CK73GXR1C105K	C CAPACITOR	1uF 16V K	1	
	C520	CK73GBB0J225K	C CAPACITOR	2.2uF 6.3V K	1	
	C521	CK73GXR0J475K	C CAPACITOR	4.7uF 6.3V K	1	
	C539	CK73GBB0J225K	C CAPACITOR	2.2uF 6.3V K	1	
	C540	CK73GBB1H223K	C CAPACITOR	0.022uF 50V K	1	
	C600	CK73HBB1A104K	C CAPACITOR	0.1uF 10V K	1	
	C601	CK73HBB1A104K	C CAPACITOR	0.1uF 10V K	1	
	C602	CK73HBB1A104K	C CAPACITOR	0.1uF 10V K	1	
	C603	CK73FXR0J226M	C CAPACITOR	22uF 6.3V M	1	
	C604	CK73HBB1H102K	C CAPACITOR	1000pF 50V K	1	
	C605	CK73GXR1H104K	C CAPACITOR	0.1uF 50V K	1	
	C606	CK73HBB1E103K	C CAPACITOR	0.01uF 25V K	1	
	C607	CK73HBB1H102K	C CAPACITOR	1000pF 50V K	1	
	C608	CK73HBB1H102K	C CAPACITOR	1000pF 50V K	1	
	C609	CK73HBB1H102K	C CAPACITOR	1000pF 50V K	1	
	C611	CK73EBB1A106K	C CAPACITOR	10uF 10V K	1	
	C701	CK73HBB1H103K	C CAPACITOR	0.01uF 50V K	1	
	C702	CK73FXR1C106K	C CAPACITOR	10uF 16V K	1	
	R1	RK73HB1J000J	MG RESISTOR	0Ω 1/16W J	1	
	R2	RK73HB1J000J	MG RESISTOR	0Ω 1/16W J	1	
	R3	RK73HB1J000J	MG RESISTOR	0Ω 1/16W J	1	
	R4	RK73HB1J000J	MG RESISTOR	0Ω 1/16W J	1	
	R5	RK73HB1J101J	MG RESISTOR	100Ω 1/16W J	1	
	R6	RK73HB1J000J	MG RESISTOR	0Ω 1/16W J	1	
	R7	RK73HB1J000J	MG RESISTOR	0Ω 1/16W J	1	
	R8	RK73HB1J000J	MG RESISTOR	0Ω 1/16W J	1	
	R9	RK73HB1J000J	MG RESISTOR	0Ω 1/16W J	1	
	R10	RK73HB1J000J	MG RESISTOR	0Ω 1/16W J	1	
	R11	RK73HB1J000J	MG RESISTOR	0Ω 1/16W J	1	
	R12	RK73HB1J000J	MG RESISTOR	0Ω 1/16W J	1	
	R13	RK73HB1J000J	MG RESISTOR	0Ω 1/16W J	1	
	R14	RK73HB1J000J	MG RESISTOR	0Ω 1/16W J	1	
	R15	RK73HB1J000J	MG RESISTOR	0Ω 1/16W J	1	
	R16	RK73HB1J000J	MG RESISTOR	0Ω 1/16W J	1	
	R17	RK73HB1J000J	MG RESISTOR	0Ω 1/16W J	1	
	R18	RK73HB1J000J	MG RESISTOR	0Ω 1/16W J	1	
	R19	RK73HB1J000J	MG RESISTOR	0Ω 1/16W J	1	
	R20	RK73HB1J000J	MG RESISTOR	0Ω 1/16W J	1	
	R21	RK73HB1J000J	MG RESISTOR	0Ω 1/16W J	1	
	R22	RK73HB1J000J	MG RESISTOR	0Ω 1/16W J	1	
	R23	RK73HB1J000J	MG RESISTOR	0Ω 1/16W J	1	
	R24	RK73HB1J000J	MG RESISTOR	0Ω 1/16W J	1	
	R25	RK73HB1J000J	MG RESISTOR	0Ω 1/16W J	1	
	R26	RK73HB1J000J	MG RESISTOR	0Ω 1/16W J	1	
	R27	RK73HB1J000J	MG RESISTOR	0Ω 1/16W J	1	
	R29	RK73HB1J000J	MG RESISTOR	0Ω 1/16W J	1	
	R34	RK73HB1J000J	MG RESISTOR	0Ω 1/16W J	1	
	R35	RK73HB1J000J	MG RESISTOR	0Ω 1/16W J	1	
	R36	RK73HB1J000J	MG RESISTOR	0Ω 1/16W J	1	
	R37	RK73HB1J000J	MG RESISTOR	0Ω 1/16W J	1	
	R39	RK73HB1J000J	MG RESISTOR	0Ω 1/16W J	1	
	R40	RK73HB1J000J	MG RESISTOR	0Ω 1/16W J	1	
	R41	RK73HB1J000J	MG RESISTOR	0Ω 1/16W J	1	
	R42	RK73HB1J000J	MG RESISTOR	0Ω 1/16W J	1	
	R43	RK73HB1J000J	MG RESISTOR	0Ω 1/16W J	1	
	R44	RK73HB1J000J	MG RESISTOR	0Ω 1/16W J	1	
	R45	RK73HB1J000J	MG RESISTOR	0Ω 1/16W J	1	
	R46	RK73HB1J000J	MG RESISTOR	0Ω 1/16W J	1	
	R47	RK73HB1J000J	MG RESISTOR	0Ω 1/16W J	1	
	R48	RK73HB1J000J	MG RESISTOR	0Ω 1/16W J	1	
	R49	RK73HB1J000J	MG RESISTOR	0Ω 1/16W J	1	
	R50	RK73HB1J000J	MG RESISTOR	0Ω 1/16W J	1	
	R51	RK73HB1J000J	MG RESISTOR	0Ω 1/16W J	1	
	R52	RK73HB1J000J	MG RESISTOR	0Ω 1/16W J	1	
	R53	RK73HB1J000J	MG RESISTOR	0Ω 1/16W J	1	
	R54	RK73HB1J000J	MG RESISTOR	0Ω 1/16W J	1	
	R55	RK73HB1J000J	MG RESISTOR	0Ω 1/16W J	1	
	R56	RK73HB1J000J	MG RESISTOR	0Ω 1/16W J	1	
	R57	RK73HB1J000J	MG RESISTOR	0Ω 1/16W J	1	
	R58	RK73HB1J000J	MG RESISTOR	0Ω 1/16W J	1	

MODEL	MARK
DNX875S	

Safe	Symbol No.	Parts No.	Parts Name	Description	QTY	Local
	R59	RK73HB1J000J	MG RESISTOR	0Ω 1/16W J	1	
	R100	RK73HB1J101J	MG RESISTOR	100Ω 1/16W J	1	
	R101	RK73HB1J101J	MG RESISTOR	100Ω 1/16W J	1	
	R102	RK73HB1J101J	MG RESISTOR	100Ω 1/16W J	1	
	R103	RK73HB1J101J	MG RESISTOR	100Ω 1/16W J	1	
	R104	RK73HB1J101J	MG RESISTOR	100Ω 1/16W J	1	
	R105	RK73HB1J101J	MG RESISTOR	100Ω 1/16W J	1	
	R106	RK73HB1J101J	MG RESISTOR	100Ω 1/16W J	1	
	R107	RK73HB1J101J	MG RESISTOR	100Ω 1/16W J	1	
	R108	RK73HB1J272J	MG RESISTOR	2.7kΩ 1/16W J	1	
	R109	RK73HB1J101J	MG RESISTOR	100Ω 1/16W J	1	
	R110	RK73HB1J101J	MG RESISTOR	100Ω 1/16W J	1	
	R111	RK73HB1J101J	MG RESISTOR	100Ω 1/16W J	1	
	R112	RK73HB1J123J	MG RESISTOR	12kΩ 1/16W J	1	
	R113	RK73HB1J101J	MG RESISTOR	100Ω 1/16W J	1	
	R114	RK73HB1J101J	MG RESISTOR	100Ω 1/16W J	1	
	R115	RK73HB1J101J	MG RESISTOR	100Ω 1/16W J	1	
	R116	RK73HB1J101J	MG RESISTOR	100Ω 1/16W J	1	
	R117	RK73HB1J101J	MG RESISTOR	100Ω 1/16W J	1	
	R120	RK73HB1J101J	MG RESISTOR	100Ω 1/16W J	1	
	R121	RK73HB1J272J	MG RESISTOR	2.7kΩ 1/16W J	1	
	R122	RK73HB1J101J	MG RESISTOR	100Ω 1/16W J	1	
	R123	RK73HB1J272J	MG RESISTOR	2.7kΩ 1/16W J	1	
	R125	RK73HB1J101J	MG RESISTOR	100Ω 1/16W J	1	
	R126	RK73HB1J103J	MG RESISTOR	10kΩ 1/16W J	1	
	R127	RK73HB1J102J	MG RESISTOR	1kΩ 1/16W J	1	
	R128	RK73HB1J101J	MG RESISTOR	100Ω 1/16W J	1	
	R129	RK73HB1J101J	MG RESISTOR	100Ω 1/16W J	1	
	R130	RK73HB1J101J	MG RESISTOR	100Ω 1/16W J	1	
	R131	RK73HB1J101J	MG RESISTOR	100Ω 1/16W J	1	
	R132	RK73HB1J101J	MG RESISTOR	100Ω 1/16W J	1	
	R133	RK73HB1J101J	MG RESISTOR	100Ω 1/16W J	1	
	R134	RK73HB1J101J	MG RESISTOR	100Ω 1/16W J	1	
	R135	RK73HB1J101J	MG RESISTOR	100Ω 1/16W J	1	
	R136	RK73HB1J103J	MG RESISTOR	10kΩ 1/16W J	1	
	R137	RK73HB1J103J	MG RESISTOR	10kΩ 1/16W J	1	
	R138	RK73HB1J101J	MG RESISTOR	100Ω 1/16W J	1	
	R139	RK73HB1J101J	MG RESISTOR	100Ω 1/16W J	1	
	R140	RK73HB1J101J	MG RESISTOR	100Ω 1/16W J	1	
	R141	RK73HB1J473J	MG RESISTOR	47kΩ 1/16W J	1	
	R142	RK73HB1J473J	MG RESISTOR	47kΩ 1/16W J	1	
	R143	RK73HB1J472J	MG RESISTOR	4.7kΩ 1/16W J	1	
	R144	RK73HB1J472J	MG RESISTOR	4.7kΩ 1/16W J	1	
	R145	RK73HB1J103J	MG RESISTOR	10kΩ 1/16W J	1	
	R146	RK73HB1J102J	MG RESISTOR	1kΩ 1/16W J	1	
	R147	RK73HB1J101J	MG RESISTOR	100Ω 1/16W J	1	
	R148	RK73HB1J101J	MG RESISTOR	100Ω 1/16W J	1	
	R149	RK73HB1J101J	MG RESISTOR	100Ω 1/16W J	1	
	R150	RK73HB1J101J	MG RESISTOR	100Ω 1/16W J	1	
	R151	RK73HB1J331J	MG RESISTOR	330Ω 1/16W J	1	
	R153	RK73HB1J101J	MG RESISTOR	100Ω 1/16W J	1	
	R164	RK73HB1J000J	MG RESISTOR	0Ω 1/16W J	1	
	R165	RK73HB1J000J	MG RESISTOR	0Ω 1/16W J	1	
	R167	RK73HB1J000J	MG RESISTOR	0Ω 1/16W J	1	
	R200	RK73HB1J000J	MG RESISTOR	0Ω 1/16W J	1	
	R201	RK73HB1J102J	MG RESISTOR	1kΩ 1/16W J	1	
	R203	RK73GB2A511J	MG RESISTOR	510Ω 1/10W J	1	
	R204	RK73GB2A511J	MG RESISTOR	510Ω 1/10W J	1	
	R207	RK73HH1J104D	MG RESISTOR	100kΩ 1/16W D	1	
	R208	RK73HH1J563D	MG RESISTOR	56kΩ 1/16W D	1	
	R209	RK73HB1J000J	MG RESISTOR	0Ω 1/16W J	1	
	R210	RK73HH1J152D	MG RESISTOR	1.5kΩ 1/16W D	1	
	R211	RK73HH1J154D	MG RESISTOR	150kΩ 1/16W D	1	
	R212	RK73HH1J103D	MG RESISTOR	10kΩ 1/16W D	1	
	R213	RK73HH1J751D	MG RESISTOR	750Ω 1/16W D	1	
	R214	RK73HB1J101J	MG RESISTOR	100Ω 1/16W J	1	
	R215	RK73HH1J563D	MG RESISTOR	56kΩ 1/16W D	1	
	R216	RK73HB1J4R7J	MG RESISTOR	4.7Ω 1/16W J	1	
	R217	RK73HB1J000J	MG RESISTOR	0Ω 1/16W J	1	
	R218	RZ73F0AK33LJ	RESISTOR	0.033Ω 1/3W J	1	
	R219	RK73HB1J103J	MG RESISTOR	10kΩ 1/16W J	1	
	R220	RK73GH2A361D	MG RESISTOR	360Ω 1/10W D	1	
	R221	RK73GH2A361D	MG RESISTOR	360Ω 1/10W D	1	
	R222	RK73GH2A361D	MG RESISTOR	360Ω 1/10W D	1	
	R223	RK73HB1J000J	MG RESISTOR	0Ω 1/16W J	1	
	R224	RK73HB1J102J	MG RESISTOR	1kΩ 1/16W J	1	
	R225	RK73HB1J101J	MG RESISTOR	100Ω 1/16W J	1	
	R227	RK73GB2A511J	MG RESISTOR	510Ω 1/10W J	1	
	R228	RK73GB2A511J	MG RESISTOR	510Ω 1/10W J	1	
	R229	RK73GH2A361D	MG RESISTOR	360Ω 1/10W D	1	
	R230	RK73GH2A361D	MG RESISTOR	360Ω 1/10W D	1	
	R231	RK73HB1J473J	MG RESISTOR	47kΩ 1/16W J	1	
	R232	RK73HB1J473J	MG RESISTOR	47kΩ 1/16W J	1	
	R233	RK73GH2A391D	MG RESISTOR	390Ω 1/10W D	1	
	R234	RK73GH2A361D	MG RESISTOR	360Ω 1/10W D	1	
	R235	RK73HB1J101J	MG RESISTOR	100Ω 1/16W J	1	
	R236	RK73GB2A511J	MG RESISTOR	510Ω 1/10W J	1	
	R237	RK73GH2A361D	MG RESISTOR	360Ω 1/10W D	1	
	R238	RK73HB1J101J	MG RESISTOR	100Ω 1/16W J	1	
	R239	RK73HB1J101J	MG RESISTOR	100Ω 1/16W J	1	
	R240	RK73HB1J101J	MG RESISTOR	100Ω 1/16W J	1	
	R241	RK73GH2A391D	MG RESISTOR	390Ω 1/10W D	1	

MODEL	MARK
DNX875S	

Safe	Symbol No.	Parts No.	Parts Name	Description	QTY	Local
	R242	RK73GH2A391D	MG RESISTOR	390Ω 1/10W D	1	
	R243	RK73HB1J101J	MG RESISTOR	100Ω 1/16W J	1	
	R244	RK73GH2A391D	MG RESISTOR	390Ω 1/10W D	1	
	R245	RK73GB2A511J	MG RESISTOR	510Ω 1/10W J	1	
	R246	RZ73F0BS560J	RESISTOR	56Ω 1/3W J	1	
	R247	RK73HB1J102J	MG RESISTOR	1kΩ 1/16W J	1	
	R248	RK73GH2A391D	MG RESISTOR	390Ω 1/10W D	1	
	R249	RK73HB1J473J	MG RESISTOR	47kΩ 1/16W J	1	
	R250	RK73HB1J101J	MG RESISTOR	100Ω 1/16W J	1	
	R251	RK73GH2A391D	MG RESISTOR	390Ω 1/10W D	1	
	R252	RK73GH2A391D	MG RESISTOR	390Ω 1/10W D	1	
	R253	RK73GH2A361D	MG RESISTOR	360Ω 1/10W D	1	
	R254	RK73HB1J101J	MG RESISTOR	100Ω 1/16W J	1	
	R255	RK73GH2A391D	MG RESISTOR	390Ω 1/10W D	1	
	R256	RK73HB1J473J	MG RESISTOR	47kΩ 1/16W J	1	
	R257	RK73HB1J103J	MG RESISTOR	10kΩ 1/16W J	1	
	R259	RK73GB2A000J	MG RESISTOR	0Ω 1/10W J	1	
	R300	RK73HB1J104J	MG RESISTOR	100kΩ 1/16W J	1	
	R301	RK73HB1J392J	MG RESISTOR	3.9kΩ 1/16W J	1	
	R302	RK73HB1J681J	MG RESISTOR	680Ω 1/16W J	1	
	R303	RK73HB1J393J	MG RESISTOR	39kΩ 1/16W J	1	
	R304	RK73HB1J104J	MG RESISTOR	100kΩ 1/16W J	1	
	R305	RK73HH1J222D	MG RESISTOR	2.2kΩ 1/16W D	1	
	R306	RK73HH1J393D	MG RESISTOR	39kΩ 1/16W D	1	
	R307	RK73HH1J103D	MG RESISTOR	10kΩ 1/16W D	1	
	R308	RK73HH1J103D	MG RESISTOR	10kΩ 1/16W D	1	
	R309	RK73HB1J472J	MG RESISTOR	4.7kΩ 1/16W J	1	
	R310	RK73HB1J104J	MG RESISTOR	100kΩ 1/16W J	1	
	R311	RK73HB1J000J	MG RESISTOR	0Ω 1/16W J	1	
	R312	RK73HH1J102D	MG RESISTOR	1kΩ 1/16W D	1	
	R313	RK73HB1J104J	MG RESISTOR	100kΩ 1/16W J	1	
	R314	RK73HB1J821J	MG RESISTOR	820Ω 1/16W J	1	
	R315	RK73HB1J103J	MG RESISTOR	10kΩ 1/16W J	1	
	R316	RK73HB1J103J	MG RESISTOR	10kΩ 1/16W J	1	
	R317	RK73HB1J751J	MG RESISTOR	750Ω 1/16W J	1	
	R318	RK73HB1J103J	MG RESISTOR	10kΩ 1/16W J	1	
	R319	RK73HB1J473J	MG RESISTOR	47kΩ 1/16W J	1	
	R320	RK73HB1J104J	MG RESISTOR	100kΩ 1/16W J	1	
	R321	RK73HB1J000J	MG RESISTOR	0Ω 1/16W J	1	
	R401	RK73HB1J472J	MG RESISTOR	4.7kΩ 1/16W J	1	
	R402	RK73HB1J472J	MG RESISTOR	4.7kΩ 1/16W J	1	
	R403	RK73HB1J102J	MG RESISTOR	1kΩ 1/16W J	1	
	R404	RK73HH1J563D	MG RESISTOR	56kΩ 1/16W D	1	
	R405	RK73HH1J124D	MG RESISTOR	120kΩ 1/16W D	1	
	R406	RK73HH1J184D	MG RESISTOR	180kΩ 1/16W D	1	
	R407	RK73HH1J153D	MG RESISTOR	15kΩ 1/16W D	1	
	R408	RK73HH1J103D	MG RESISTOR	10kΩ 1/16W D	1	
	R409	RK73HH1J273D	MG RESISTOR	27kΩ 1/16W D	1	
	R411	RK73HB1J101J	MG RESISTOR	100Ω 1/16W J	1	
	R412	RK73EB2E392J	MG RESISTOR	3.9kΩ 1/4W J	1	
	R413	RK73HB1J000J	MG RESISTOR	0Ω 1/16W J	1	
	R414	RK73HB1J000J	MG RESISTOR	0Ω 1/16W J	1	
	R415	RK73HH1J620D	MG RESISTOR	62Ω 1/16W D	1	
	R416	RK73HH1J161D	MG RESISTOR	160Ω 1/16W D	1	
	R417	RK73HH1J430D	MG RESISTOR	43Ω 1/16W D	1	
	R418	RK73HH1J390D	MG RESISTOR	39Ω 1/16W D	1	
	R419	RK73HH1J101D	MG RESISTOR	100Ω 1/16W D	1	
	R420	RK73HH1J161D	MG RESISTOR	160Ω 1/16W D	1	
	R421	RK73HH1J101D	MG RESISTOR	100Ω 1/16W D	1	
	R422	RK73HH1J390D	MG RESISTOR	39Ω 1/16W D	1	
	R423	RK73HH1J430D	MG RESISTOR	43Ω 1/16W D	1	
	R424	RK73HH1J161D	MG RESISTOR	160Ω 1/16W D	1	
	R425	RK73HH1J820D	MG RESISTOR	82Ω 1/16W D	1	
	R426	RK73EB2E102J	MG RESISTOR	1kΩ 1/4W J	1	
	R427	RK73HB1J472J	MG RESISTOR	4.7kΩ 1/16W J	1	
	R428	RK73HH1J122D	MG RESISTOR	1.2kΩ 1/16W D	1	
	R469	RK73HB1J473J	MG RESISTOR	47kΩ 1/16W J	1	
	R470	RK73HB1J473J	MG RESISTOR	47kΩ 1/16W J	1	
	R471	RK73HB1J101J	MG RESISTOR	100Ω 1/16W J	1	
	R472	RK73HB1J101J	MG RESISTOR	100Ω 1/16W J	1	
	R475	RK73HB1J101J	MG RESISTOR	100Ω 1/16W J	1	
	R476	RK73HB1J101J	MG RESISTOR	100Ω 1/16W J	1	
	R477	RK73HB1J473J	MG RESISTOR	47kΩ 1/16W J	1	
	R538	RK73HB1J102J	MG RESISTOR	1kΩ 1/16W J	1	
	R539	RK73HB1J102J	MG RESISTOR	1kΩ 1/16W J	1	
	R540	RK73HB1J102J	MG RESISTOR	1kΩ 1/16W J	1	
	R541	RK73HB1J102J	MG RESISTOR	1kΩ 1/16W J	1	
	R542	RK73HB1J102J	MG RESISTOR	1kΩ 1/16W J	1	
	R543	RK73HB1J102J	MG RESISTOR	1kΩ 1/16W J	1	
	R544	RK73HB1J102J	MG RESISTOR	1kΩ 1/16W J	1	
	R545	RK73HB1J102J	MG RESISTOR	1kΩ 1/16W J	1	
	R546	RK73HB1J102J	MG RESISTOR	1kΩ 1/16W J	1	
	R547	RK73HB1J102J	MG RESISTOR	1kΩ 1/16W J	1	
	R548	RK73HB1J102J	MG RESISTOR	1kΩ 1/16W J	1	
	R549	RK73HB1J102J	MG RESISTOR	1kΩ 1/16W J	1	
	R550	RK73HB1J102J	MG RESISTOR	1kΩ 1/16W J	1	
	R551	RK73HB1J102J	MG RESISTOR	1kΩ 1/16W J	1	
	R552	RK73HB1J102J	MG RESISTOR	1kΩ 1/16W J	1	
	R553	RK73HB1J102J	MG RESISTOR	1kΩ 1/16W J	1	
	R554	RK73HB1J102J	MG RESISTOR	1kΩ 1/16W J	1	
	R555	RK73HB1J102J	MG RESISTOR	1kΩ 1/16W J	1	
	R556	RK73HB1J102J	MG RESISTOR	1kΩ 1/16W J	1	

MODEL	MARK
DNX875S	

Safe	Symbol No.	Parts No.	Parts Name	Description	QTY	Local
R557		RK73HB1J102J	MG RESISTOR	1kΩ 1/16W J	1	
R558		RK73HB1J102J	MG RESISTOR	1kΩ 1/16W J	1	
R559		RK73HB1J102J	MG RESISTOR	1kΩ 1/16W J	1	
R560		RK73HB1J102J	MG RESISTOR	1kΩ 1/16W J	1	
R561		RK73HB1J102J	MG RESISTOR	1kΩ 1/16W J	1	
R562		RK73HB1J102J	MG RESISTOR	1kΩ 1/16W J	1	
R563		RK73HB1J103J	MG RESISTOR	10kΩ 1/16W J	1	
R564		RK73HB1J473J	MG RESISTOR	47kΩ 1/16W J	1	
R565		RK73HB1J332J	MG RESISTOR	3.3kΩ 1/16W J	1	
R566		RK73HB1J332J	MG RESISTOR	3.3kΩ 1/16W J	1	
R567		RK73HB1J103J	MG RESISTOR	10kΩ 1/16W J	1	
R568		RK73HB1J103J	MG RESISTOR	10kΩ 1/16W J	1	
R569		RK73HB1J103J	MG RESISTOR	10kΩ 1/16W J	1	
R571		RK73HB1J103J	MG RESISTOR	10kΩ 1/16W J	1	
R572		RK73HB1J102J	MG RESISTOR	1kΩ 1/16W J	1	
R573		RK73HB1J102J	MG RESISTOR	1kΩ 1/16W J	1	
R574		RK73HB1J102J	MG RESISTOR	1kΩ 1/16W J	1	
R575		RK73HB1J102J	MG RESISTOR	1kΩ 1/16W J	1	
R576		RK73HB1J102J	MG RESISTOR	1kΩ 1/16W J	1	
R577		RK73HB1J102J	MG RESISTOR	1kΩ 1/16W J	1	
R578		RK73HB1J102J	MG RESISTOR	1kΩ 1/16W J	1	
R579		RK73HB1J102J	MG RESISTOR	1kΩ 1/16W J	1	
R580		RK73HB1J000J	MG RESISTOR	0Ω 1/16W J	1	
R581		RK73HB1J000J	MG RESISTOR	0Ω 1/16W J	1	
R582		RK73HB1J000J	MG RESISTOR	0Ω 1/16W J	1	
R583		RK73HB1J000J	MG RESISTOR	0Ω 1/16W J	1	
R584		RK73GB2A000J	MG RESISTOR	0Ω 1/10W J	1	
R585		RK73GB2A000J	MG RESISTOR	0Ω 1/10W J	1	
R586		RK73GB2A000J	MG RESISTOR	0Ω 1/10W J	1	
R587		RK73GB2A000J	MG RESISTOR	0Ω 1/10W J	1	
R588		RK73GB2A000J	MG RESISTOR	0Ω 1/10W J	1	
R589		RK73GB2A000J	MG RESISTOR	0Ω 1/10W J	1	
R590		RK73GB2A000J	MG RESISTOR	0Ω 1/10W J	1	
R591		RK73GB2A000J	MG RESISTOR	0Ω 1/10W J	1	
R592		RK73GB2A000J	MG RESISTOR	0Ω 1/10W J	1	
R593		RK73GB2A000J	MG RESISTOR	0Ω 1/10W J	1	
R594		RK73GB2A000J	MG RESISTOR	0Ω 1/10W J	1	
R595		RK73GB2A000J	MG RESISTOR	0Ω 1/10W J	1	
R596		RK73GB2A000J	MG RESISTOR	0Ω 1/10W J	1	
R597		RK73GB2A000J	MG RESISTOR	0Ω 1/10W J	1	
R598		RK73GB2A000J	MG RESISTOR	0Ω 1/10W J	1	
R600		RK73GB2A100J	MG RESISTOR	10Ω 1/10W J	1	
R601		RK73GB2A100J	MG RESISTOR	10Ω 1/10W J	1	
R603		RK73HB1J473J	MG RESISTOR	47kΩ 1/16W J	1	
R604		RK73HB1J473J	MG RESISTOR	47kΩ 1/16W J	1	
R605		RK73HB1J473J	MG RESISTOR	47kΩ 1/16W J	1	
R606		RK73GB2A100J	MG RESISTOR	10Ω 1/10W J	1	
R607		RK73GB2A100J	MG RESISTOR	10Ω 1/10W J	1	
R608		RK73GB2A101J	MG RESISTOR	100Ω 1/10W J	1	
R609		RK73GB2A100J	MG RESISTOR	10Ω 1/10W J	1	
R610		RK73GB2A100J	MG RESISTOR	10Ω 1/10W J	1	
R611		RK73GB2A100J	MG RESISTOR	10Ω 1/10W J	1	
R612		RK73GB2A100J	MG RESISTOR	10Ω 1/10W J	1	
R613		RK73GB2A221J	MG RESISTOR	220Ω 1/10W J	1	
R614		RK73HH1J301D	MG RESISTOR	300Ω 1/16W D	1	
R615		RK73HH1J301D	MG RESISTOR	300Ω 1/16W D	1	
R616		RK73HH1J301D	MG RESISTOR	300Ω 1/16W D	1	
R617		RK73HB1J101J	MG RESISTOR	100Ω 1/16W J	1	
R618		RK73HB1J101J	MG RESISTOR	100Ω 1/16W J	1	
R619		RK73HB1J101J	MG RESISTOR	100Ω 1/16W J	1	
R620		RK73GB2A100J	MG RESISTOR	10Ω 1/10W J	1	
R622		RK73GB2A100J	MG RESISTOR	10Ω 1/10W J	1	
R623		RK73HB1J000J	MG RESISTOR	0Ω 1/16W J	1	
R625		RK73GB2A000J	MG RESISTOR	0Ω 1/10W J	1	
R626		RK73HB1J000J	MG RESISTOR	0Ω 1/16W J	1	
R630		RK73HB1J101J	MG RESISTOR	100Ω 1/16W J	1	
R631		RK73HB1J101J	MG RESISTOR	100Ω 1/16W J	1	
R632		RK73HB1J101J	MG RESISTOR	100Ω 1/16W J	1	
R633		RK73HB1J101J	MG RESISTOR	100Ω 1/16W J	1	
R722		RK73GB2A000J	MG RESISTOR	0Ω 1/10W J	1	
L100		LB73G0BF-002	CHIP FERRITE		1	
L102		LB73G0BF-003	CHIP FERRITE		1	
L200		LR79Z0FB220M	CHIP INDUCTOR	22uF	1	
L201		NQR0716-001X	FERRITE CORE		1	
L404		NQR0717-001X	FERRITE CORE		1	
L502		LB73G0BF-003	CHIP FERRITE		1	
L600		LB73G0BF-003	CHIP FERRITE		1	
L602		LB73G0BF-002	CHIP FERRITE		1	
CN1		EC720AB-0570A	FFC FPC CONNE	70P	1	
CN100		EC720AT-0510A	FFC FPC CONNE	10P	1	
CN200		QGA1002F1-02X	W TO B CONNE	W-B (1-2)	1	
CN400		EC720AA-0560A	FFC FPC CONNE	60P	1	
CN501		QGF0528F4-50X	FFC/FPC CONNE	FFC/FPC (1-50)	1	
CN502		EC720AT-0508A	FFC FPC CONNE	8P	1	
CN600		EC720AA-0522A	FFC FPC CONNE		1	
VA600		EZJP0270EA	VARIATOR		1	
VA601		EZJP0270EA	VARIATOR		1	
VA602		EZJP0080MA	VARIATOR		1	
VA603		EZJP0080MA	VARIATOR		1	
VA604		EZJP0080MA	VARIATOR		1	
OPERATION PWB ASSY(XJ7-042K-00) <XJ7>						
IC1		PICA38603-NV	IR DETECT UNIT		1	

MODEL	MARK
DNX875S	

Safe	Symbol No.	Parts No.	Parts Name	Description	QTY	Local
	D1	NSSM124	LED		1	
	D2	NSSM124	LED		1	
	D3	NSSM124	LED		1	
	D4	NSSM124	LED		1	
	C1	CK73GXR1A105K	C CAPACITOR	1uF 10V K	1	
	C2	CK73HXR1C104K	C CAPACITOR	0.1uF 16V K	1	
	R1	RK73GB2A333J	MG RESISTOR	33kΩ 1/10W J	1	
	R2	RK73GB2A103J	MG RESISTOR	10kΩ 1/10W J	1	
	R3	RK73GB2A472J	MG RESISTOR	4.7kΩ 1/10W J	1	
	R4	RK73GB2A332J	MG RESISTOR	3.3kΩ 1/10W J	1	
	R5	RK73HB1J000J	MG RESISTOR	0Ω 1/16W J	1	
	CN1	QGF0545F2-13X	FFC/FPC CONNE	FFC/FPC (1-13)	1	
	S1	S7A-0001-00	TACTILE PUSH SW		1	
	S2	S7A-0001-00	TACTILE PUSH SW		1	
	S3	S7A-0001-00	TACTILE PUSH SW		1	
	S4	S7A-0001-00	TACTILE PUSH SW		1	
	S5	S7A-0001-00	TACTILE PUSH SW		1	
	S6	S7A-0001-00	TACTILE PUSH SW		1	
	S7	S7A-0001-00	TACTILE PUSH SW		1	
DVD MECHA PWB ASSY (LVA11172-04A) <L17>						
	IC1	AN41250A	ANALOG IC		1	
	IC2	M12L 1281686TN	DRAM IC		1	
	IC3	WZZ-0025-00	PROGRAMMED IC		1	
	IC4	MN2DS0041MD	IC		1	
	IC5	BD12KA5FP	ANALOG IC		1	
	IC6	XC6120N282N-G	IC		1	
	IC8	MM1663DTE	MOS IC		1	
	Q1	2SK3019	FET		1	
	Q2	2SK3019	FET		1	
	Q3	LSCR523EBFS8	TRANSISTOR		1	
	Q4	2SB1709MG	TRANSISTOR		1	
	Q5	LSCR523EBFS8	TRANSISTOR		1	
	Q6	2SB1709MG	TRANSISTOR		1	
	Q11	LTA014TEBFS8	DIGI TRANSISTOR		1	
	Q12	LTA014TEBFS8	DIGI TRANSISTOR		1	
	D1	TAN1102W-22	INFRARED LED		1	
	D4	TAN1102W-22	INFRARED LED		1	
	D5	1SS355VM	DIODE		1	
	C1	CK73HBB1E103K	C CAPACITOR	0.01uF 25V K	1	
	C2	NCJ20JK-106X-R	C CAPACITOR	10uF 6.3V K	1	
	C6	CK73FXR0J226M	C CAPACITOR	22uF 6.3V M	1	
	C7	CK73HBB1E103K	C CAPACITOR	0.01uF 25V K	1	
	C8	CK73HBB1E103K	C CAPACITOR	0.01uF 25V K	1	
	C10	CK73GXR0J475K	C CAPACITOR	4.7uF 6.3V K	1	
	C12	NCJ20JK-106X-R	C CAPACITOR	10uF 6.3V K	1	
	C13	NCJ20JK-106X-R	C CAPACITOR	10uF 6.3V K	1	
	C14	CK73HBB1A104K	C CAPACITOR	0.1uF 10V K	1	
	C16	CK73HBB1C333K	C CAPACITOR	0.033uF 16V K	1	
	C17	CK73HBB1A104K	C CAPACITOR	0.1uF 10V K	1	
	C18	CC73HCH1H120J	C CAPACITOR	12pF 50V J	1	
	C19	CK73HBB1A104K	C CAPACITOR	0.1uF 10V K	1	
	C20	CK73HBB1A104K	C CAPACITOR	0.1uF 10V K	1	
	C21	CK73HBB1A104K	C CAPACITOR	0.1uF 10V K	1	
	C22	CK73HBB1A104K	C CAPACITOR	0.1uF 10V K	1	
	C23	CC73HCH1H120J	C CAPACITOR	12pF 50V J	1	
	C24	CK73HXR0J105K	C CAPACITOR	1uF 6.3V K	1	
	C25	CK73HXR0J105K	C CAPACITOR	1uF 6.3V K	1	
	C26	CC73HCH1H102J	C CAPACITOR	1000pF 50V J	1	
	C28	NCJ20JK-106X-R	C CAPACITOR	10uF 6.3V K	1	
	C29	NCJ20JK-106X-R	C CAPACITOR	10uF 6.3V K	1	
	C31	CK73GXR0J475K	C CAPACITOR	4.7uF 6.3V K	1	
	C33	CK73HBB1H682K	C CAPACITOR	6800pF 50V K	1	
	C34	CK73HBB1H682K	C CAPACITOR	6800pF 50V K	1	
	C35	CC73HCH1H681J	C CAPACITOR	680pF 50V J	1	
	C36	CC73HCH1H471J	C CAPACITOR	470pF 50V J	1	
	C37	NCJ20JK-106X-R	C CAPACITOR	10uF 6.3V K	1	
	C38	NCJ20JK-106X-R	C CAPACITOR	10uF 6.3V K	1	
	C45	CK73HBB1A104K	C CAPACITOR	0.1uF 10V K	1	
	C47	CK73HBB1A104K	C CAPACITOR	0.1uF 10V K	1	
	C48	CK73HBB1H222K	C CAPACITOR	2200pF 50V K	1	
	C49	CK73HBB1A104K	C CAPACITOR	0.1uF 10V K	1	
	C50	CK73HBB1H222K	C CAPACITOR	2200pF 50V K	1	
	C51	CK73HBB1H472K	C CAPACITOR	4700pF 50V K	1	
	C52	CK73HBB1E103K	C CAPACITOR	0.01uF 25V K	1	
	C53	CK73HBB1H222K	C CAPACITOR	2200pF 50V K	1	
	C55	CK73HBB1A104K	C CAPACITOR	0.1uF 10V K	1	
	C56	CK73HBB1H222K	C CAPACITOR	2200pF 50V K	1	
	C57	CK73HBB1E103K	C CAPACITOR	0.01uF 25V K	1	
	C58	CK73HBB1E103K	C CAPACITOR	0.01uF 25V K	1	
	C59	CK73HBB1A104K	C CAPACITOR	0.1uF 10V K	1	
	C60	CK73HBB1A104K	C CAPACITOR	0.1uF 10V K	1	
	C61	CK73HBB1A104K	C CAPACITOR	0.1uF 10V K	1	
	C62	CK73HBB1A104K	C CAPACITOR	0.1uF 10V K	1	
	C63	CK73HBB1A104K	C CAPACITOR	0.1uF 10V K	1	
	C64	CK73HBB1A104K	C CAPACITOR	0.1uF 10V K	1	
	C65	CK73HBB1A104K	C CAPACITOR	0.1uF 10V K	1	
	C66	CK73HBB1A104K	C CAPACITOR	0.1uF 10V K	1	
	C67	CK73HBB1A104K	C CAPACITOR	0.1uF 10V K	1	
	C68	CK73HBB1E103K	C CAPACITOR	0.01uF 25V K	1	
	C70	CK73HXR0J105K	C CAPACITOR	1uF 6.3V K	1	
	C71	CK73HBB1A104K	C CAPACITOR	0.1uF 10V K	1	
	C74	CK73HBB1A104K	C CAPACITOR	0.1uF 10V K	1	
	C75	CC73HCH1H101J	C CAPACITOR	100pF 50V J	1	
	C76	CK73FXR0J226M	C CAPACITOR	22uF 6.3V M	1	

MODEL	MARK
DNX875S	

Safe	Symbol No.	Parts No.	Parts Name	Description	QTY	Local
	C77	CK73HBB1A104K	C CAPACITOR	0.1uF 10V K	1	
	C78	CK73GXR0J475K	C CAPACITOR	4.7uF 6.3V K	1	
	C79	CK73HBB1H222K	C CAPACITOR	2200pF 50V K	1	
	C80	CK73HBB1H222K	C CAPACITOR	2200pF 50V K	1	
	C81	CK73HXR0J105K	C CAPACITOR	1uF 6.3V K	1	
	C82	CK73HXR0J105K	C CAPACITOR	1uF 6.3V K	1	
	C83	CK73HXR0J105K	C CAPACITOR	1uF 6.3V K	1	
	C84	NCJ20JK-106X-R	C CAPACITOR	10uF 6.3V K	1	
	C85	CK73HBB1A104K	C CAPACITOR	0.1uF 10V K	1	
	C86	CK73HBB1A104K	C CAPACITOR	0.1uF 10V K	1	
	C87	CK73HBB1A104K	C CAPACITOR	0.1uF 10V K	1	
	C88	CK73HBB1A104K	C CAPACITOR	0.1uF 10V K	1	
	C89	CK73HBB1A104K	C CAPACITOR	0.1uF 10V K	1	
	C90	CK73HBB1A104K	C CAPACITOR	0.1uF 10V K	1	
	C91	CK73HBB1A104K	C CAPACITOR	0.1uF 10V K	1	
	C92	CK73HBB1A104K	C CAPACITOR	0.1uF 10V K	1	
	C93	CK73HBB1A104K	C CAPACITOR	0.1uF 10V K	1	
	C94	CK73FXR0J226M	C CAPACITOR	22uF 6.3V M	1	
	C95	CK73FXR0J226M	C CAPACITOR	22uF 6.3V M	1	
	C96	CK73FXR0J226M	C CAPACITOR	22uF 6.3V M	1	
	C101	CK73FXR0J226M	C CAPACITOR	22uF 6.3V M	1	
	C102	CK73FXR0J226M	C CAPACITOR	22uF 6.3V M	1	
	C103	CK73HBB1H222K	C CAPACITOR	2200pF 50V K	1	
	C104	CK73HBB1H222K	C CAPACITOR	2200pF 50V K	1	
	C105	CC73HCH1H150J	C CAPACITOR	15pF 50V J	1	
	C112	CK73HBB1A104K	C CAPACITOR	0.1uF 10V K	1	
	C115	CK73HXR0J105K	C CAPACITOR	1uF 6.3V K	1	
	C120	CK73HBB1A104K	C CAPACITOR	0.1uF 10V K	1	
	C121	CK73HBB1A104K	C CAPACITOR	0.1uF 10V K	1	
	R1	RK73GB2A561J	MG RESISTOR	560Ω 1/10W J	1	
	R2	RK73HB1J271J	MG RESISTOR	270Ω 1/16W J	1	
	R3	RK73HB1J301J	MG RESISTOR	300Ω 1/16W J	1	
	R4	RK73GB2A561J	MG RESISTOR	560Ω 1/10W J	1	
	R5	RK73HB1J163J	MG RESISTOR	16kΩ 1/16W J	1	
	R6	RK73HB1J103J	MG RESISTOR	10kΩ 1/16W J	1	
	R7	RK73HB1J103J	MG RESISTOR	10kΩ 1/16W J	1	
	R8	RK73HB1J103J	MG RESISTOR	10kΩ 1/16W J	1	
	R9	RK73HB1J333J	MG RESISTOR	33kΩ 1/16W J	1	
	R10	RK73HB1J103J	MG RESISTOR	10kΩ 1/16W J	1	
	R11	RK73HB1J103J	MG RESISTOR	10kΩ 1/16W J	1	
	R12	RK73HB1J103J	MG RESISTOR	10kΩ 1/16W J	1	
	R15	RK73HB1J102J	MG RESISTOR	1kΩ 1/16W J	1	
	R16	RK73HB1J102J	MG RESISTOR	1kΩ 1/16W J	1	
	R17	RK73HB1J105J	MG RESISTOR	1MΩ 1/16W J	1	
	R18	RK73HH1J303D	MG RESISTOR	30kΩ 1/16W D	1	
	R19	RK73HB1J223J	MG RESISTOR	22kΩ 1/16W J	1	
	R20	RK73HB1J471J	MG RESISTOR	470Ω 1/16W J	1	
	R21	RK73HB1J100J	MG RESISTOR	10Ω 1/16W J	1	
	R22	RK73HB1J560J	MG RESISTOR	56Ω 1/16W J	1	
	R23	RK73HB1J2R2J	MG RESISTOR	2.2Ω 1/16W J	1	
	R25	RK73HB1J471J	MG RESISTOR	470Ω 1/16W J	1	
	R27	RK73HB1J471J	MG RESISTOR	470Ω 1/16W J	1	
	R28	RK73HB1J100J	MG RESISTOR	10Ω 1/16W J	1	
	R29	RK73HB1J560J	MG RESISTOR	56Ω 1/16W J	1	
	R30	RK73HB1J2R2J	MG RESISTOR	2.2Ω 1/16W J	1	
	R31	RK73PB2H270J	MG RESISTOR	27Ω 1/2W J	1	
	R32	RK73HB1J203J	MG RESISTOR	20kΩ 1/16W J	1	
	R33	RK73HB1J333J	MG RESISTOR	33kΩ 1/16W J	1	
	R34	RK73HB1J471J	MG RESISTOR	470Ω 1/16W J	1	
	R35	RK73PB2H270J	MG RESISTOR	27Ω 1/2W J	1	
	R51	RK73HB1J223J	MG RESISTOR	22kΩ 1/16W J	1	
	R52	RK73HB1J223J	MG RESISTOR	22kΩ 1/16W J	1	
	R53	RK73POCMR27J	MG RESISTOR		1	
	R54	RK73HB1J103J	MG RESISTOR	10kΩ 1/16W J	1	
	R55	RK73HB1J101J	MG RESISTOR	100Ω 1/16W J	1	
	R56	RK73HB1J103J	MG RESISTOR	10kΩ 1/16W J	1	
	R57	RK73HB1J103J	MG RESISTOR	10kΩ 1/16W J	1	
	R58	RK73HB1J103J	MG RESISTOR	10kΩ 1/16W J	1	
	R59	RK73HB1J103J	MG RESISTOR	10kΩ 1/16W J	1	
	R60	RK73HB1J821J	MG RESISTOR	820Ω 1/16W J	1	
	R61	RK73HB1J242J	MG RESISTOR	2.4kΩ 1/16W J	1	
	R62	RK73HB1J103J	MG RESISTOR	10kΩ 1/16W J	1	
	R63	RK73HB1J332J	MG RESISTOR	3.3kΩ 1/16W J	1	
	R64	RK73HB1J202J	MG RESISTOR	2kΩ 1/16W J	1	
	R65	RK73HB1J102J	MG RESISTOR	1kΩ 1/16W J	1	
	R66	RK73HB1J102J	MG RESISTOR	1kΩ 1/16W J	1	
	R69	RK73HB1J102J	MG RESISTOR	1kΩ 1/16W J	1	
	R70	RK73HB1J102J	MG RESISTOR	1kΩ 1/16W J	1	
	R73	RK73HB1J472J	MG RESISTOR	4.7kΩ 1/16W J	1	
	R74	RK73HB1J4R7J	MG RESISTOR	4.7Ω 1/16W J	1	
	R75	RK73HB1J000J	MG RESISTOR	0Ω 1/16W J	1	
	R76	RK73HB1J472J	MG RESISTOR	4.7kΩ 1/16W J	1	
	R77	RK73HB1J4R7J	MG RESISTOR	4.7Ω 1/16W J	1	
	R78	RK73HB1J221J	MG RESISTOR	220Ω 1/16W J	1	
	R79	RK73HB1J221J	MG RESISTOR	220Ω 1/16W J	1	
	R80	RK73HB1J103J	MG RESISTOR	10kΩ 1/16W J	1	
	R81	RK73HB1J103J	MG RESISTOR	10kΩ 1/16W J	1	
	R82	RK73HB1J102J	MG RESISTOR	1kΩ 1/16W J	1	
	R86	RK73HB1J102J	MG RESISTOR	1kΩ 1/16W J	1	
	R92	RK73HB1J103J	MG RESISTOR	10kΩ 1/16W J	1	
	R95	RK73HB1J470J	MG RESISTOR	47Ω 1/16W J	1	
	R96	RK73HB1J103J	MG RESISTOR	10kΩ 1/16W J	1	

MODEL	MARK
DNX875S	

Safe	Symbol No.	Parts No.	Parts Name	Description	QTY	Local
	R105	RK73HB1J101J	MG RESISTOR	100Ω 1/16W J	1	
	R106	RK73HB1J103J	MG RESISTOR	10kΩ 1/16W J	1	
	R107	RK73HB1J221J	MG RESISTOR	220Ω 1/16W J	1	
	R108	RK73HB1J221J	MG RESISTOR	220Ω 1/16W J	1	
	R113	RK73HB1J470J	MG RESISTOR	47Ω 1/16W J	1	
	R114	RK73HH1J5901D	MG RESISTOR		1	
	R120	RK73HB1J432J	MG RESISTOR	4.3kΩ 1/16W J	1	
	R121	RK73HB1J242J	MG RESISTOR	2.4kΩ 1/16W J	1	
	R122	RK73HB1J162J	MG RESISTOR	1.6kΩ 1/16W J	1	
	R123	RK73HB1J332J	MG RESISTOR	3.3kΩ 1/16W J	1	
	R125	RK73GB2A000J	MG RESISTOR	0Ω 1/10W J	1	
	R128	RK73GB2A000J	MG RESISTOR	0Ω 1/10W J	1	
	CN1	EC720AA-0526A	FFC/FPC CONNE		1	
	CN4	EC720AA-0535A	FFC FPC CONNE		1	
	CN5	EC720AA-0518A	FFC FPC CONNE		1	
	CN9	QGA1501F4-03W	W TO B CONNE	W-B (1-3)	1	
	PH1	PS1192HB-22-X	OPT TRANSMITTER		1	
	PH2	PS1192HB-22-X	OPT TRANSMITTER		1	
	S1	NSW0351-001X	LEVER SWITCH		1	
	TH1	TH05-3H103F	N THERMISTOR		1	
	X1	NAX1135-001X	CRYSTAL		1	