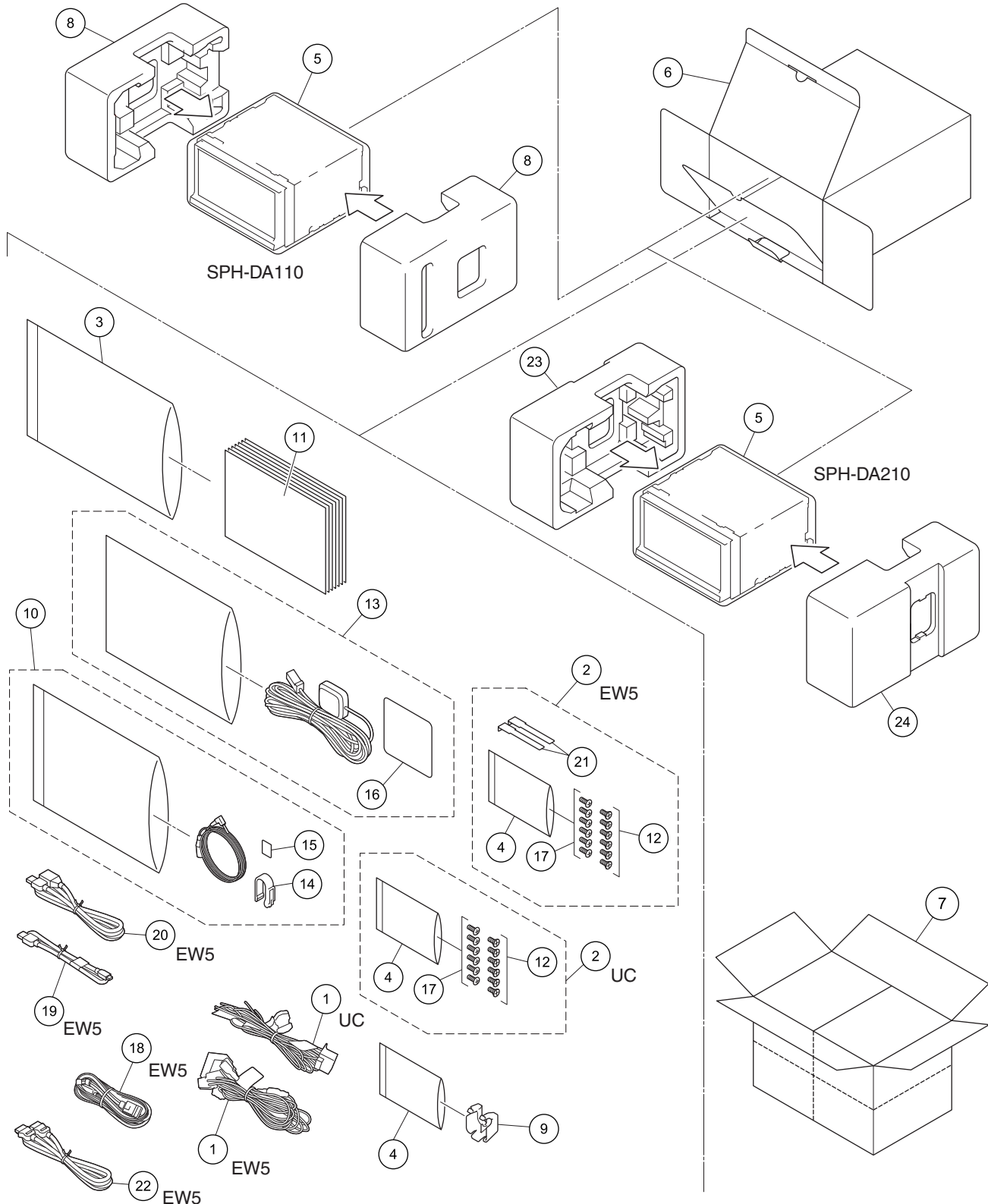


9. EXPLODED VIEWS AND PARTS LIST

NOTES : • Parts marked by " * " are generally unavailable because they are not in our Master Spare Parts List.

- The ⚠ mark found on some component parts indicates the importance of the safety factor of the part. Therefore, when replacing, be sure to use parts of identical designation.
- Screw adjacent to ∇ mark on the product are used for disassembly.
- For the applying amount of lubricants or glue, follow the instructions in this manual.
(In the case of no amount instructions, apply as you think it appropriate.)

9.1 PACKING



PACKING SECTION PARTS LIST

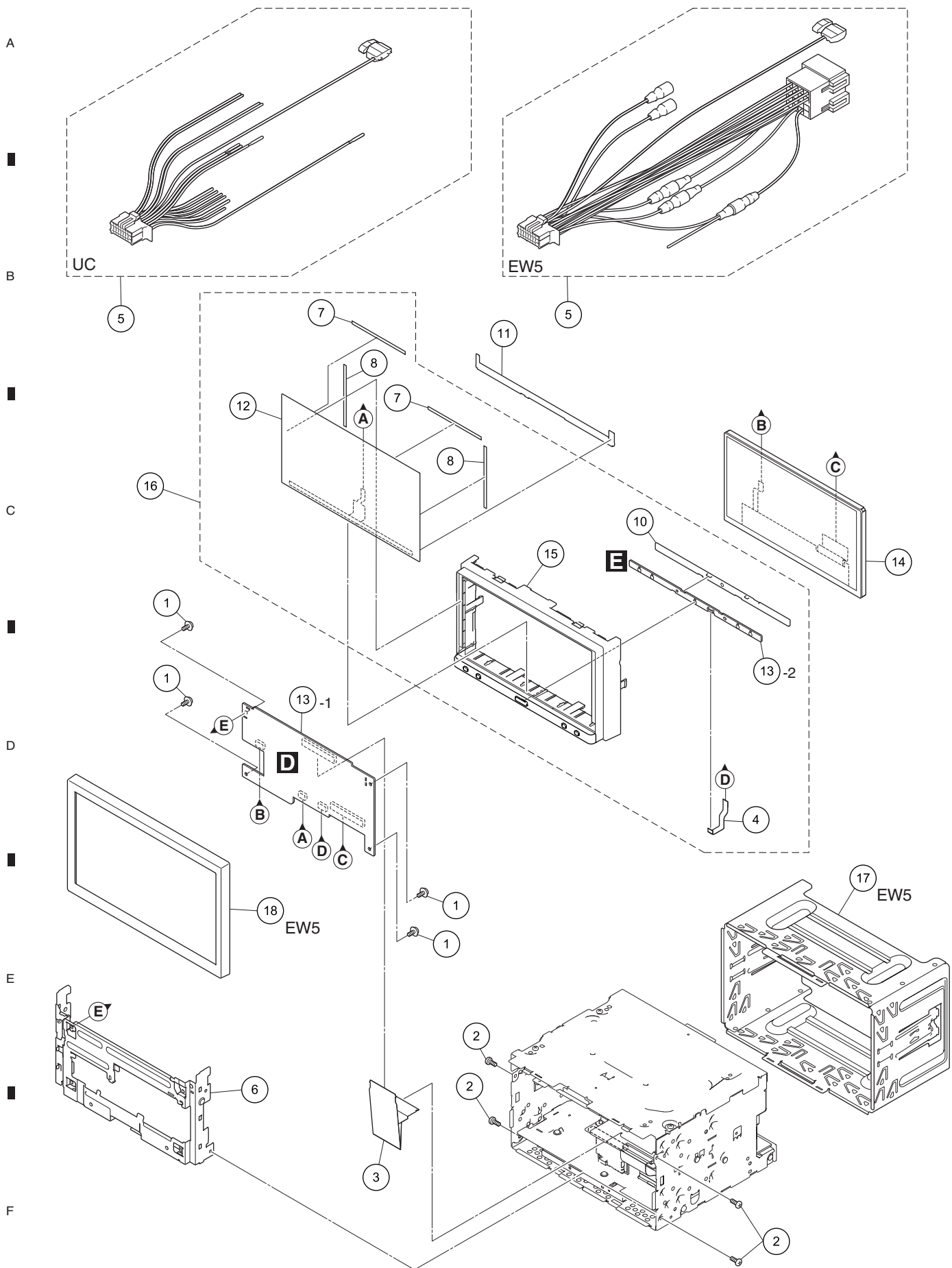
<u>Mark No.</u>	<u>Description</u>	<u>Part No.</u>	<u>Mark No.</u>	<u>Description</u>	<u>Part No.</u>
1	Cord Assy	See Contrast table (2)	11-7	Installation Manual	See Contrast table (2)
* 2	Accessory Assy	See Contrast table (2)	* 11-8	Registration Card	See Contrast table (2)
3	Polyethylene Bag	CEG1116	* 11-9	Warranty Card	See Contrast table (2)
4	Polyethylene Bag	CEG1160	12	Screw	CRZ50P090FTC
5	Polyethylene Bag	See Contrast table (2)	13	GPS Antenna Assy	CXE3204
6	Unit Box	See Contrast table (2)	14	Holder	CZN7192
7	Contain Box	See Contrast table (2)	15	Cushion	CZN7193
8	Protector	See Contrast table (2)	16	Sheet	CZN8510
9	Holder	CNW2508	17	Screw	TRZ50P080FTC
10	Microphone Assy	CPM1083	18	Cord Assy	See Contrast table (2)
11-1	Quick Start Guide	See Contrast table (2)	19	Cord Assy	See Contrast table (2)
11-2	Quick Start Guide	See Contrast table (2)	20	Cord Assy	See Contrast table (2)
11-3	Quick Start Guide	See Contrast table (2)	21	Handle	See Contrast table (2)
11-4	Quick Start Guide	See Contrast table (2)	22	Cord Assy	See Contrast table (2)
11-5	Quick Start Guide	See Contrast table (2)	23	Protector	See Contrast table (2)
11-6	Owner's Manual	See Contrast table (2)	24	Protector	See Contrast table (2)

(2) CONTRAST TABLE

SPH-DA210/XNUC, SPH-DA110/XNUC and SPH-DA110/XNEW5 are constructed the same except for the following:

<u>Mark</u>	<u>No.</u>	<u>Description</u>	<u>SPH-DA210/XNUC</u>	<u>SPH-DA110/XNUC</u>	<u>SPH-DA110/XNEW5</u>
*	1	Cord Assy	CDP1474	CDP1474	CDP1473
	2	Accessory Assy	CEC7756	CEC7756	CED2427
	5	Polyethylene Bag	CEG1359	CEG1402	CEG1356
	6	Unit Box	CHG8447	CHG8445	CHG8446
	7	Contain Box	CHL8329	CHL8278	CHL8279
	8	Protector	Not used	CHP4717	CHP4718
	11-1	Quick Start Guide	CRD4715	CRD4685	Not used
11-2	Quick Start Guide	Not used	Not used	CRB4126	
11-3	Quick Start Guide	Not used	Not used	CRD4680	
11-4	Quick Start Guide	Not used	Not used	CRD4681	
11-5	Quick Start Guide	Not used	Not used	CRD4682	
11-6	Owner's Manual	CRD4686	CRD4686	CRD4683	
11-7	Installation Manual	CRD4687	CRD4687	CRD4684	
* 11-8	Registration Card	CRY1271	CRY1271	Not used	
* 11-9	Warranty Card	QRY3001	QRY3001	CRY1376	
18	Cord Assy	Not used	Not used	CDP1623	
19	Cord Assy	Not used	Not used	CDP1577	
20	Cord Assy	Not used	Not used	CDP1608	
21	Handle	Not used	Not used	CND6289	
22	Cord Assy	Not used	Not used	CDP1622	
23	Protector	CHP4275	Not used	Not used	
24	Protector	CHP4276	Not used	Not used	

9.5 EXTERIOR SPH-DA110 (1)



EXTERIOR SPH-DA110 (1) SECTION PARTS LIST

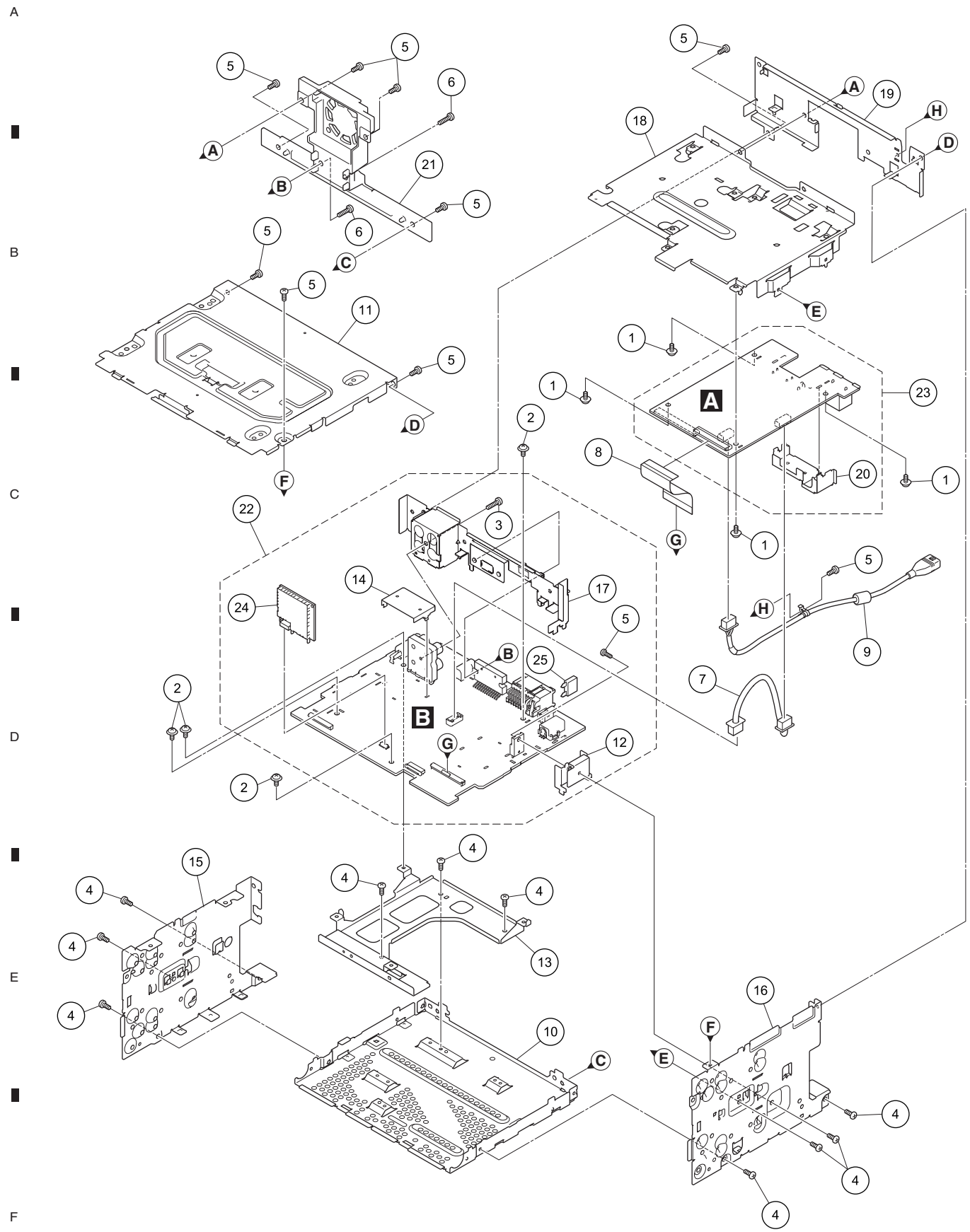
<u>Mark No.</u>	<u>Description</u>	<u>Part No.</u>	<u>Mark No.</u>	<u>Description</u>	<u>Part No.</u>
1	Screw	AMZ20P040FTC	11	Holder	CNW2507
2	Screw	BSZ26P050FTC	12	Touch Panel	CSX1186
3	FFC	CDE9659	13	Monitor Unit	CWN7310
4	FFC	CDE9660	14	TFT LCD	CWX4182
5	Cord Assy	See Contrast table (2)	15	Grille Assy	CXE6292
6	Holder	CND6339	16	Grille Assy (Service)	CXX5329
7	Double Side Tape	CNN4003	17	Holder	See Contrast table (2)
8	Double Side Tape	CNN4004	18	Panel	See Contrast table (2)
9				
10	Holder	CNW2495			

(2) CONTRAST TABLE

SPH-DA110/XNUC and SPH-DA110/XNEW5 are constructed the same except for the following:


<u>Mark</u>	<u>No.</u>	<u>Description</u>	<u>SPH-DA110/XNUC</u>	<u>SPH-DA110/XNEW5</u>
	5	Cord Assy	CDP1474	CDP1473
	17	Holder	Not used	CND6288
	18	Panel	Not used	CNS9952

9.6 EXTERIOR SPH-DA110 (2)



5 6 7 8

EXTERIOR SPH-DA110 (2) SECTION PARTS LIST

<u>Mark No.</u>	<u>Description</u>	<u>Part No.</u>	
1	Screw	AMZ26P040FTC	
2	Screw	ASZ26P050FTC	A
3	Screw	BPZ26P080FTC	
4	Screw	BSZ26P050FTC	
5	Screw	BSZ26P060FTC	
6	Screw	BSZ26P160FTC	
7	Cord Assy	CDE8702	
8	FFC	CDE9656	
9	Cord Assy	CDE9914	
10	Chassis	CNA3210	
11	Case	CNB3761	B
12	Holder	CND5834	
13	Bracket	CND5932	
14	Shield	CND5938	
15	Bracket	CND6248	
16	Bracket	CND6336	
17	Holder	CND6413	
18	Holder	CND6416	
19	Holder	CND6780	
20	Holder	CND6417	C
21	Heat Sink	CNR2122	
22	AV Unit (UC)	CWN7320	
	AV Unit (EW5)	CWN7321	
23	Main Unit	CWN7324	
24	BT Module	CWX4378	
 25	Fuse (10 A)	YEK5001	

5 6 7 8
DVD MECHANISM MODULE (1) SECTION PARTS LIST

<u>Mark No.</u>	<u>Description</u>	<u>Part No.</u>	<u>Mark No.</u>	<u>Description</u>	<u>Part No.</u>
1	Screw	BSZ20P040FTC	*	50	Chassis Unit CXE4047
2	Screw	BSZ26P060FTC		51
3	Screw (M2 x 4)	CBA1835		52	Support Wheel CNW2052
4	Washer	CBF1038	*	53	Spindle Motor EXM2002
5	Spring	CBH2855		54	Arm Assy CXE5027
6	Spring	CBH2860		55	Washer CBF1037
7	Spring	CBH3010		56	Washer CBF1038
8	Spring	CBH3011		57	Arm CND6242
9	Spring	CBH3014		58	Roller CNW1196
10	Spring	CBH3015		59	Collar CNW2444
11	Spring	CBH3016		60	Gear Unit CXC8893
12	Spring	CBH3017		61	Washer YE15FTC
13	Spring	CBH3019		62	Screw JFZ20P025FTC
14	Spring	CBH3086		63	Screw JGZ17P020FTC
15	Spring	CBH3095		64	Screw (M2 x 5) EBA1028
16	Spring	CBH3096		65	DVD Core Unit YWX5033
17	Plate Spring	CBL1824		66	Mechanism Unit(Service) CXX4547
18				
19	Case	CNB3760			
20	Bracket	CND4553			
21	Lever	CND5398			
22	Bracket	CND5710			
23	Bracket	CND6127			
24	Arm	CND6406			
25	Sheet	CNN3678			
26	Roller	CNW1172			
27	Roller	CNW1175			
28	Arm	CNW1177			
29	Arm	CNW1178			
30	Gear	CNW1180			
31	Gear	CNW1181			
32	Gear	CNW1183			
33	Rack	CNW1184			
34	Gear	CNW1185			
35	Gear	CNW1186			
36	Gear	CNW1187			
37	Clamper	CNW1190			
38	Arm	CNW1192			
39	Holder	CNW1193			
40	Holder	CNW1194			
41	Damper	CNW1197			
42	Damper	CNW1198			
43	Arm	CNW1726			
44	Guide	CNW2240			
45	Arm	CNW2241			
46	Rack	CNW2265			
47	Gear	CNW2287			
48	Motor Unit	CXC4026			
49	Screw Unit	CXC8894			

Pickup, Spindle Motor and Support Wheel are not available as service parts, because they need adjustment by special equipment after replacing.

12. ELECTRICAL PARTS LIST

NOTE:

- Parts whose parts numbers are omitted are subject to being not supplied.
- The part numbers shown below indicate chip components.

Chip Resistor

RS1/○S○○○○J,RS1/○○S○○○○J

Chip Capacitor (except for CQS.....)

CKS....., CCS....., CSZS.....

- The \triangle mark found on some component parts indicates the importance of the safety factor of the part. Therefore, when replacing, be sure to use parts of identical designation.
- Meaning of the figures and others in the parentheses in the parts list.

Example) IC 301 is on the point (face A, 91 of x-axis, and 111 of y-axis) of the corresponding PC board.

IC 301 (A, 91, 111) IC NJM2068V

- The expression of the unit in this manual is shown by u instead of μ . Please do not make a mistake.

	<u>Circuit Symbol and No.</u>	<u>Part No.</u>	<u>Circuit Symbol and No.</u>	<u>Part No.</u>
A:SPH-DA110/XNUC	IC 66	(A,19,28) Regulator IC	S-1172B13-E6	
	IC 71	(B,17,64) Regulator IC	S-1172B33-E6	
B:SPH-DA110/XNEW5	IC 81	(A,80,80) Regulator IC	S-1155B33-U5	
	IC 86	(A,75,88) Regulator IC	NJM2878F3-15	
C:SPH-DA210/XNUC				
Unit Number: CWN7324(A,B)	IC 121	(B,18,84) IC	OZ529IEGN	
	IC 146	(B,28,55) D/A Converter	PCM1753DBQ	
Unit Number: CWN7640(C)	IC 151	(B,77,65) IC	337S3959	
Unit Name : Main Unit	IC 167	(B,34,62) Logic IC	TC7SHU04FUS1	
	IC 168	(A,51,39) IC	R8A77240D500BG2	
Unit Number: CWN7320(A)	IC 170	(B,37,54) Logic IC	TC74VHC125FK	
	IC 382	(A,32,32) IC	NJM2125F	
Unit Number: CWN7321(B)	IC 383	(A,35,20) IC	BA2903FVM	
	IC 401	(A,80,28) RAM IC	H5PS5162GFR-S5C	
Unit Number: CWN7638(C)	IC 402	(A,80,50) RAM IC	H5PS5162GFR-S5C	
Unit Name : AV Unit				
Unit Number: YWX5033(C)	IC 451	(B,56,58) Flash ROM Unit(Service)	CXX5408	
	IC 471	(B,54,79) IC	TC74LCX541FK	
Unit Name : DVD Core Unit	IC 472	(B,54,71) IC	TC74LCX541FK	
	IC 473	(B,71,78) LSI	ML86V7675TBZA3A	
Unit Number: CWN7310(A,B)	IC 474	(B,84,96) IC	BH7673G	
	IC 475	(B,87,96) IC	BH7673G	
Unit Number: CWN7311(C)	IC 476	(B,91,96) IC	BH7673G	
Unit Name : Monitor Unit	IC 478	(B,73,105) IC(C)	NJM2561F1	
	IC 571	(A,48,82) IC	MN864773A	
Unit Number: CWN7641(C)	IC 572	(A,81,72) Regulator IC	S-1172B33-E6	
Unit Name : Fan Control Unit	IC 573	(A,71,70) Regulator IC	S-1172B12-E6	
Unit Number: EXX2001(C)	IC 574	(B,39,75) IC	WM8761BGED	
	IC 575	(B,37,83) 1 Chip or Gate	TC7SH32FUS1	
Unit Name : PCB Assy(Service)	Q 51	(A,27,34) Transistor	LSCR523UB	
	Q 151	(B,77,59) Transistor	LSAR523UB	
	Q 471	(B,83,87) Transistor	LSCR523UB	
	Q 472	(B,87,87) Transistor	LSCR523UB	
	Q 473	(B,91,87) Transistor	LSCR523UB	
	Q 474	(B,69,99) Transistor	LSAR523UB	
	Q 475	(B,72,100) Transistor	LTC014EEB	
	Q 571	(A,69,99) Transistor	LTC014EEB	
	Q 572	(A,67,103) Transistor	LSAR523UB	
F MISCELLANEOUS	D 51	(A,17,44) Diode	RB162M-40	
	D 71	(B,24,68) Diode	1SR154-400	
	D 81	(A,87,82) Diode	1SR154-400	
	D 111	(B,31,124) Diode	DZ2S180C	

5		6		7		8					
<u>Circuit Symbol and No.</u>		<u>Part No.</u>	<u>Circuit Symbol and No.</u>		<u>Part No.</u>						
D 112	(B,31,131) Diode	DZ2S180C	L 572	(A,49,96) Filter	CTF1834						
D 115	(B,28,124) Diode	DZ2S180C	L 573	(A,56,96) Filter	CTF1834						
D 116	(B,31,127) Diode	DZ2S180C	L 574	(A,53,96) Filter	CTF1834						
D 117	(B,16,104) Diode	DZ2S180C	L 575	(A,64,85) Ferrite Bead	CTF1528						
D 121	(A,19,116) Diode	EZAEG2A50AX	L 576	(B,32,77) Chip Ferrite Bead	DTL1107	A					
D 123	(A,13,117) Diode	DZ2S068C	L 577	(A,60,100) Ferrite Bead	CTF1528						
D 124	(A,21,78) Diode	RB060M-30	L 578	(A,34,76) Chip Beads	VTL1126						
D 125	(A,18,116) Diode	EZAEG2A50AX	X 167	(B,39,62) Resonator 22 579.2 kHz	CSS1812						
D 151	(B,72,66) Diode	RB751SM-40	X 168	(A,37,28) Resonator 48.000 MHz	CSS1760						
D 301	(A,21,13) Diode	DZ2S068C	X 169	(A,48,23) Crystal Resonator 33.333 333 MHz	CSS1825						
D 302	(A,30,23) Diode	EZAEG2A50AX	X 471	(B,66,88) Crystal Resonator 32.000 MHz	CSS1818						
D 303	(A,32,23) Diode	EZAEG2A50AX	X 571	(A,64,90) Resonator 27.000 MHz	CSS1768						
D 571	(A,68,96) Diode	DA2J101	P 101	(B,35,115) Poly Switch	FMSMD075-24R						
D 572	(A,57,97) Diode	EZAEG2A50AX	CN1	(B,33,9) Connector	CKS6467						
D 573	(A,55,97) Diode	EZAEG2A50AX	CN2	(A,71,8) Connector	CKS6300	B					
D 574	(A,54,99) Diode	EZAEG2A50AX	CN96	(A,17,66) Connector	CKS4674						
D 575	(A,53,99) Diode	EZAEG2A50AX	CN111	(A,16,125) Connector	CKS5867						
D 576	(A,52,97) Diode	EZAEG2A50AX	CN301	(A,24,17) Connector	AKM1276						
D 577	(A,50,97) Diode	EZAEG2A50AX	JA101	(A,34,103) RCA Jack	CKB1106						
D 578	(A,50,99) Diode	EZAEG2A50AX	JA571	(A,55,106) Connector	CKS6560						
D 579	(A,48,99) Diode	EZAEG2A50AX	RESISTORS								
D 580	(A,62,99) Diode	EZAEG2A50AX									
D 581	(A,62,97) Diode	EZAEG2A50AX									
D 583	(A,89,77) Diode	1SR154-400					R 1	(A,81,15)	RS1/16SS221J		
D 584	(A,60,93) Diode	DA2J101					R 52	(A,19,54)	RS1/16SS564J		
L 1	(A,73,13) Ferrite Bead	CTF1528	R 53	(A,17,54)	RS1/16SS123J	C					
L 2	(B,25,20) Chip Beads	VTL1126	R 54	(A,17,57)	RS1/16SS224J						
L 3	(B,27,20) Chip Beads	VTL1126	R 55	(A,22,46)	RS1/16SS5R6J						
L 51	(A,20,40) Inductor	CTH1524	R 56	(A,15,52)	RS1/16SS6800D						
L 121	(A,21,112) Inductor	CTF1713	R 57	(A,15,54)	RS1/16SS1302D						
L 122	(A,20,85) Choke Coil 33 uH	CTH1417	R 58	(A,16,56)	RS1/16SS6801D						
L 123	(B,16,77) Inductor	CTF1793	R 59	(A,15,46)	RS1/16SS5R6J						
L 166	(A,57,23) Chip Beads	VTL1126	R 60	(A,22,55)	RS1/16SS102J						
L 167	(A,56,25) Chip Beads	VTL1126	R 65	(A,79,90)	RS1/10SR0R0J						
L 168	(A,55,22) Chip Beads	VTL1126	R 67	(A,19,33)	RS1/16SS102J						
L 169	(A,54,23) Chip Beads	VTL1126	R 72	(B,14,61)	RS1/16SS102J						
L 170	(A,60,23) Chip Beads	VTL1126	R 82	(A,83,78)	RS1/16SS102J	D					
L 171	(A,58,23) Chip Beads	VTL1126	R 84	(A,73,84)	RS1/10SR0R0J						
L 172	(A,56,23) Chip Beads	VTL1126	R 86	(A,79,86)	RS1/16SS102J						
L 173	(A,55,23) Chip Beads	VTL1126	R 91	(A,28,31)	RS1/16SS471J						
L 174	(A,62,23) Chip Beads	VTL1126	R 92	(A,28,32)	RS1/16SS102J						
L 175	(A,60,25) Chip Beads	VTL1126	R 93	(A,26,36)	RS1/16SS102J						
L 176	(A,58,25) Chip Beads	VTL1126	R 94	(B,70,89)	RS1/16SS0R0J						
L 177	(A,57,22) Chip Beads	VTL1126	R 100	(B,41,36)	RS1/10SR0R0J						
L 178	(A,61,23) Chip Beads	VTL1126	R 108	(B,39,116)	RS1/10SR0R0J						
L 179	(A,59,23) Chip Beads	VTL1126	R 120	(A,23,104)	RS1/16SS0R0J						
L 180	(A,59,22) Chip Beads	VTL1126	R 121	(B,11,88)	RS1/16SS3902D						
L 181	(A,63,23) Chip Beads	VTL1126	R 122	(B,11,89)	RS1/16SS1201D	E					
L 182	(A,63,21) Chip Beads	VTL1126	R 123	(B,13,89)	RS1/16SS1002D						
L 183	(A,62,21) Chip Beads	VTL1126	R 126	(B,23,89)	RS1/16SS104J						
L 184	(A,61,21) Chip Beads	VTL1126	R 127	(A,28,90)	RS1/16SS0R0J						
L 185	(A,64,21) Chip Beads	VTL1126	R 128	(B,23,91)	RS1/16SS101J						
L 187	(A,65,27) Chip Beads	VTL1126	R 129	(B,23,85)	RS1/16SS0R0J						
L 189	(B,41,53) Chip Beads	VTL1132	R 130	(B,23,81)	RS1/16SS104J						
L 190	(B,34,52) Chip Beads	VTL1132	R 131	(B,23,90)	RS1/16SS104J						
L 192	(A,35,43) Chip Beads	VTL1132	R 132	(B,23,87)	RS1/16SS1802D						
L 301	(A,31,26) Inductor	CTF1713	R 133	(B,23,88)	RS1/16SS273J						
L 391	(A,31,29) Inductor	CTF1787	R 134	(B,15,90)	RS1/16SS0R0J	F					
L 392	(A,33,26) Inductor	CTF1787	R 135	(B,19,92)	RS1/16SS102J						
L 571	(A,51,96) Filter	CTF1834	R 136	(B,19,91)	RS1/16SS102J						

1

Circuit Symbol and No.

2

Part No.

3

Circuit Symbol and No.

4

Part No.

	R 138	(A,16,97)	RS1/16SS102J	R 225	(A,49,26)	RS1/16SS152J
	R 139	(A,16,96)	RS1/16SS102J	R 226	(A,42,22)	RS1/16SS103J
	R 140	(A,16,95)	RS1/16SS102J	R 227	(A,57,62)	RS1/16SS330J
A	R 141	(A,16,94)	RS1/16SS102J	R 228	(A,57,56)	RS1/16SS330J
	R 142	(A,23,59)	RS1/16SS0R0J	R 229	(A,56,54)	RS1/16SS330J
	R 143	(A,29,33)	RS1/16SS0R0J	R 231	(B,56,28)	RS1/16SS101J
	R 144	(A,22,116)	RS1/16SS0R0J	R 235	(B,56,26)	RS1/16SS101J
	R 147	(B,26,51)	RS1/16SS821J	R 238	(B,56,24)	RS1/16SS101J
	R 148	(B,27,50)	RS1/16SS821J	R 240	(B,58,31)	RS1/16SS0R0J
	R 149	(B,25,57)	RS1/16SS0R0J	R 241	(B,56,36)	RS1/16SS82R0D
	R 152	(B,82,65)	RS1/16SS222J	R 242	(B,58,33)	RS1/16SS82R0D
	R 153	(B,80,68)	RS1/16SS222J	R 248	(A,58,56)	RS1/16SS330J
	R 154	(B,73,62)	RS1/16SS103J	R 251	(A,38,36)	RS1/16SS102J
B	R 155	(B,73,65)	RS1/16SS102J	R 252	(A,37,36)	RS1/16SS102J
	R 156	(B,81,66)	RS1/16SS101J	R 254	(A,57,54)	RS1/16SS330J
	R 157	(B,82,64)	RS1/16SS101J	R 255	(A,59,56)	RS1/16SS561J
	R 158	(B,73,63)	RS1/16SS103J	R 256	(A,40,23)	RS1/16SS0R0J
	R 161	(B,74,59)	RS1/16SS472J	R 257	(A,66,41)	RS1/16SS100J
	R 166	(A,52,60)	RS1/16SS330J	R 258	(A,66,40)	RS1/16SS100J
	R 167	(A,52,62)	RS1/16SS330J	R 259	(B,68,42)	RS1/16SS100J
	R 168	(A,52,56)	RS1/16SS330J	R 260	(B,67,37)	RS1/16SS100J
	R 169	(A,51,52)	RS1/16SS330J	R 261	(A,68,40)	RS1/16SS100J
	R 170	(A,53,62)	RS1/16SS330J	R 262	(B,69,40)	RS1/16SS100J
C	R 171	(A,53,60)	RS1/16SS330J	R 263	(B,69,37)	RS1/16SS100J
	R 172	(A,53,56)	RS1/16SS330J	R 264	(A,58,54)	RS1/16SS330J
	R 173	(A,52,54)	RS1/16SS330J	R 265	(B,68,46)	RS1/16SS100J
	R 174	(A,54,62)	RS1/16SS330J	R 266	(B,67,43)	RS1/16SS100J
	R 175	(A,54,60)	RS1/16SS330J	R 267	(B,68,44)	RS1/16SS100J
	R 176	(A,54,56)	RS1/16SS330J	R 268	(B,68,43)	RS1/16SS100J
	R 179	(A,53,54)	RS1/16SS330J	R 269	(B,67,35)	RS1/16SS100J
	R 181	(A,55,62)	RS1/16SS330J	R 270	(B,66,45)	RS1/16SS100J
	R 182	(A,56,62)	RS1/16SS330J	R 271	(B,67,38)	RS1/16SS100J
	R 183	(B,36,62)	RS1/16SS105J	R 273	(A,37,46)	RS1/16SS473J
	R 185	(A,55,60)	RS1/16SS330J	R 275	(A,38,45)	RS1/16SS472J
	R 187	(A,55,56)	RS1/16SS330J	R 276	(A,38,43)	RS1/16SS472J
D	R 188	(B,37,60)	RS1/16SS331J	R 277	(A,38,47)	RS1/16SS473J
	R 190	(B,37,59)	RS1/16SS220J	R 278	(A,39,48)	RS1/16SS473J
	R 191	(A,54,54)	RS1/16SS330J	R 279	(A,60,62)	RS1/16SS561J
	R 193	(B,34,58)	RS1/10SR0R0J	R 281	(B,41,51)	RS1/16SS471J
	R 194	(B,34,44)	RS1/16SS221J	R 283	(B,33,52)	RS1/16SS471J
	R 198	(A,56,60)	RS1/16SS330J	R 284	(B,37,45)	RS1/16SS472J
	R 199	(A,34,43)	RS1/16SS471J	R 285	(B,34,19)	RS1/16SS103J
	R 200	(A,34,44)	RS1/16SS101J	R 286	(B,58,28)	RS1/16SS103J
	R 201	(A,34,42)	RS1/16SS101J	R 287	(A,40,51)	RS1/16SS473J
	R 202	(A,57,60)	RS1/16SS330J	R 289	(A,59,54)	RS1/16SS561J
E	R 206	(A,56,56)	RS1/16SS330J	R 290	(A,61,60)	RS1/16SS561J
	R 207	(A,55,54)	RS1/16SS330J	R 310	(B,67,36)	RS1/16SS100J
	R 210	(A,38,33)	RS1/16SS5601D	R 311	(B,69,39)	RS1/16SS100J
	R 211	(A,40,31)	RS1/16SS5601D	R 312	(B,67,34)	RS1/16SS100J
	R 212	(A,40,28)	RS1/16SS681J	R 313	(B,69,36)	RS1/16SS100J
	R 214	(A,40,22)	RS1/16SS103J	R 314	(B,67,39)	RS1/16SS100J
	R 215	(A,42,27)	RS1/16SS103J	R 315	(B,69,38)	RS1/16SS100J
	R 216	(A,40,24)	RS1/16SS103J	R 316	(A,66,38)	RS1/16SS100J
	R 217	(A,42,24)	RS1/16SS103J	R 317	(A,66,39)	RS1/16SS100J
	R 218	(A,39,21)	RS1/16SS103J	R 320	(B,33,56)	RS1/16SS101J
	R 219	(A,38,23)	RS1/16SS103J	R 321	(A,60,60)	RS1/16SS561J
F	R 220	(A,39,20)	RS1/16SS103J	R 322	(A,61,62)	RS1/16SS561J
	R 221	(A,42,20)	RS1/16SS103J	R 323	(A,60,56)	RS1/16SS561J
	R 222	(A,42,21)	RS1/16SS103J	R 324	(A,63,62)	RS1/16SS561J
	R 223	(A,43,24)	RS1/16SS103J	R 325	(A,62,62)	RS1/16SS561J

1

2

3

4

5		6		7		8	
<u>Circuit Symbol and No.</u>		<u>Part No.</u>		<u>Circuit Symbol and No.</u>		<u>Part No.</u>	
R 326	(A,62,60)	RS1/16SS561J		R 486	(B,49,82)	RS1/16SS470J	
R 327	(A,60,54)	RS1/16SS561J		R 487	(B,49,81)	RS1/16SS470J	
R 328	(A,63,60)	RS1/16SS561J		R 488	(B,49,80)	RS1/16SS470J	
R 329	(A,61,54)	RS1/16SS561J		R 489	(B,50,79)	RS1/16SS470J	A
R 330	(A,61,56)	RS1/16SS561J		R 490	(B,50,78)	RS1/16SS470J	
R 331	(A,62,54)	RS1/16SS561J		R 491	(B,50,77)	RS1/16SS470J	
R 332	(A,62,56)	RS1/16SS561J		R 492	(B,50,76)	RS1/16SS470J	
R 333	(B,45,58)	RS1/16SS330J		R 493	(B,50,73)	RS1/16SS470J	
R 334	(A,43,22)	RS1/16SS472J		R 494	(B,50,72)	RS1/16SS470J	
R 335	(A,42,19)	RS1/16SS102J		R 495	(B,50,71)	RS1/16SS470J	
R 337	(A,41,53)	RS1/16SS103J		R 496	(B,50,70)	RS1/16SS470J	
R 338	(A,57,20)	RS1/16SS560J		R 497	(B,50,69)	RS1/16SS470J	
R 339	(A,56,22)	RS1/16SS560J		R 499	(A,78,97) (C)	RS1/16SS750J	
				R 503	(B,82,83)	RS1/16SS151J	
R 340	(A,55,18)	RS1/16SS560J					B
R 341	(A,54,20)	RS1/16SS560J		R 504	(B,86,83)	RS1/16SS151J	
R 342	(A,60,20)	RS1/16SS560J		R 508	(B,74,90) (C)	RS1/16SS750J	
R 343	(A,58,20)	RS1/16SS560J		R 509	(B,71,86)	RS1/16SS472J	
R 344	(A,56,20)	RS1/16SS560J		R 510	(B,71,70)	RS1/16SS473J	
				R 511	(B,67,86)	RS1/16SS105J	
R 345	(A,55,20)	RS1/16SS560J		R 512	(B,62,88)	RS1/16SS101J	
R 346	(A,62,20)	RS1/16SS560J					
R 347	(A,60,21)	RS1/16SS560J		R 513	(B,62,87)	RS1/16SS101J	
R 348	(A,58,22)	RS1/16SS560J		R 514	(B,68,87)	RS1/16SS821J	
R 349	(A,57,18)	RS1/16SS560J		R 516	(B,63,82)	RS1/16SS330J	
				R 517	(B,62,79)	RS1/16SS330J	
R 350	(A,61,20)	RS1/16SS560J		R 518	(B,63,78)	RS1/16SS330J	
R 351	(A,59,20)	RS1/16SS560J					C
R 352	(A,59,18)	RS1/16SS560J		R 519	(B,62,78)	RS1/16SS330J	
R 353	(A,63,20)	RS1/16SS560J		R 520	(B,63,77)	RS1/16SS330J	
R 354	(A,63,18)	RS1/16SS560J		R 521	(B,62,77)	RS1/16SS330J	
				R 522	(B,63,76)	RS1/16SS330J	
R 355	(A,62,18)	RS1/16SS560J		R 523	(B,62,76)	RS1/16SS330J	
R 356	(A,61,18)	RS1/16SS560J					
R 357	(A,66,21)	RS1/16SS221J		R 524	(B,63,75)	RS1/16SS330J	
R 358	(A,42,52)	RS1/16SS103J		R 525	(B,62,75)	RS1/16SS330J	
R 359	(A,64,18)	RS1/16SS560J		R 526	(B,63,74)	RS1/16SS330J	
				R 527	(B,63,73)	RS1/16SS330J	
R 361	(A,38,44)	RS1/16SS473J		R 529	(B,60,87)	RS1/16SS222J	
R 367	(A,66,24)	RS1/16SS0R0J					D
R 382	(A,30,28)	RS1/16SS1002D		R 530	(B,60,86)	RS1/16SS222J	
R 383	(A,30,30)	RS1/16SS0R0J		R 531	(B,63,83)	RS1/16SS101J	
R 384	(A,30,31)	RS1/16SS2201D		R 532	(B,63,85)	RS1/16SS473J	
				R 533	(B,70,71)	RS1/16SS101J	
R 385	(A,30,33)	RS1/16SS1000D		R 534	(B,83,101)	RS1/16SS750J	
R 388	(A,33,17)	RS1/16SS1002D					
R 389	(A,33,19)	RS1/16SS0R0J		R 535	(B,87,102)	RS1/16SS750J	
R 390	(A,33,21)	RS1/16SS2701D		R 536	(B,89,78)	RS1/16SS151J	
R 391	(A,33,22)	RS1/16SS0R0J		R 537	(B,91,102)	RS1/16SS750J	
				R 542	(B,92,94)	RS1/16SS101J	
R 393	(A,37,23)	RS1/16SS103J		R 543	(B,85,94)	RS1/16SS101J	
R 395	(A,37,17)	RS1/16SS1002D					
R 396	(A,36,16)	RS1/16SS0R0J		R 544	(B,88,94)	RS1/16SS101J	
R 398	(A,35,17)	RS1/16SS1801D		R 545	(B,50,82)	RS1/16SS104J	E
R 399	(A,34,16)	RS1/16SS0R0J		R 550	(B,71,98)	RS1/16SS102J	
				R 551	(B,69,101)	RS1/16SS103J	
R 401	(B,80,24)	RS1/16SS82R0D		R 553	(B,83,79)	RS1/16SS0R0J	
R 402	(B,82,24)	RS1/16SS82R0D					
R 403	(B,80,52)	RS1/16SS82R0D		R 554	(B,83,76)	RS1/16SS0R0J	
R 404	(B,82,50)	RS1/16SS82R0D		R 555	(B,83,74)	RS1/16SS0R0J	
R 405	(B,62,40)	RS1/16SS100J		R 556	(B,75,90) (A,B)	RS1/16SS0R0J	
				R 575	(A,35,91)	RS1/16SS0R0J	
R 406	(B,62,41)	RS1/16SS100J		R 576	(A,33,91)	RS1/16SS0R0J	
R 407	(B,78,42)	RS1/16SS431J					
R 452	(B,43,59)	RS1/16SS103J		R 577	(A,35,90)	RS1/16SS0R0J	
R 454	(B,43,58)	RS1/16SS103J		R 578	(A,33,90)	RS1/16SS0R0J	
R 476	(B,78,71)	RS1/16SS0R0J		R 579	(A,33,88)	RS1/16SS0R0J	F
				R 580	(A,51,68)	RS1/16SS220J	
R 484	(B,76,90)	RS1/16SS750J		R 581	(A,52,68)	RS1/16SS220J	
R 485	(B,49,83)	RS1/16SS470J					

1

Circuit Symbol and No.

2

Part No.

3

Circuit Symbol and No.

4

Part No.

	R 582	(A,53,68)	RS1/16SS220J				
	R 583	(A,54,68)	RS1/16SS220J	C 56	(A,15,38)	10 uF	CCG1192
	R 584	(A,55,68)	RS1/16SS220J	C 57	(A,23,48)	10 uF	CCG1192
A	R 585	(A,56,68)	RS1/16SS220J	C 58	(A,24,46)		CKSRYB681K50
	R 586	(A,57,68)	RS1/16SS220J	C 59	(A,14,54)		CCSSCH271J50
				C 60	(A,15,42)	10 uF	CCG1192
	R 587	(A,58,69)	RS1/16SS220J				
	R 588	(A,62,76)	RS1/16SS220J	C 61	(A,13,46)		CKSRYB105K16
	R 589	(A,62,77)	RS1/16SS220J	C 62	(A,14,49)	10 uF	CCG1192
	R 590	(A,62,78)	RS1/16SS220J	C 66	(A,14,27)	10 uF	CCG1192
	R 591	(A,62,79)	RS1/16SS220J	C 68	(A,24,27)	10 uF	CCG1192
				C 71	(B,20,69)		CKSQYB475K6R3
	R 592	(A,62,80)	RS1/16SS220J				
	R 593	(A,62,81)	RS1/16SS220J	C 72	(B,14,57)		CKSQYB475K6R3
	R 594	(A,62,82)	RS1/16SS220J	C 81	(A,80,84)		CKSQYB475K6R3
	R 595	(A,62,83)	RS1/16SS220J	C 82	(A,76,81)		CKSQYB475K6R3
B	R 596	(A,63,83)	RS1/16SS100J	C 86	(A,73,89)		CKSRYB105K10
				C 87	(A,77,87)		CKSRYB105K10
	R 597	(A,35,73)	RS1/16SS220J				
	R 598	(A,36,71)	RS1/16SS220J	C 103	(B,34,112)		CKSRYB103K50
	R 599	(A,35,74)	RS1/16SS220J	C 121	(B,12,88)		CKSSYB681K50
	R 600	(A,35,82)	RS1/16SS303J	C 122	(A,13,90)	47 uF	CCG1251
	R 601	(A,31,82)	RS1/16SS681J	C 123	(B,20,94)	47 uF	CCG1251
				C 124	(B,23,86)		CKSSYB104K10
	R 602	(A,35,81)	RS1/16SS303J				
	R 603	(A,35,80)	RS1/16SS303J	C 125	(A,15,82)		CKSRYB105K16
	R 604	(A,33,80)	RS1/16SS303J	C 129	(A,13,115)		CKSRYB104K50
	R 605	(A,33,78)	RS1/16SS681J	C 130	(B,21,78)		CKSYB225K25
	R 606	(A,33,77)	RS1/16SS681J	C 131	(B,23,84)		CKSSYB103K16
C				C 132	(B,15,79)		CKSSYB103K25
	R 608	(A,81,68)	RS1/16SS102J				
	R 613	(A,30,83)	RS1/16SS472J	C 133	(A,15,86)	47 uF	CCG1251
	R 615	(A,32,75)	RS1/16SS472J	C 134	(A,17,76)		CEVW100M16
	R 619	(A,62,87)	RS1/16SS473J	C 135	(A,13,80)	10 uF	CCG1223
	R 620	(A,70,97)	RS1/16SS223J	C 145	(B,29,50)		CKSRYB105K10
				C 146	(B,24,50)		CKSRYB332K50
	R 621	(A,70,95)	RS1/16SS433J				
	R 622	(A,66,95)	RS1/16SS473J	C 147	(B,24,49)		CKSRYB332K50
	R 624	(A,62,86)	RS1/16SS473J	C 148	(B,28,51)		CKSSYB104K10
	R 625	(A,62,85)	RS1/16SS473J	C 149	(B,26,60)	10 uF	CCG1192
	R 630	(A,32,76)	RS1/16SS101J	C 150	(B,29,48)	10 uF	CCG1192
				C 151	(B,73,64)		CKSSYB104K10
D	R 632	(A,60,95)	RS1/16SS273J				
	R 633	(A,78,68)	RS1/16SS104J	C 152	(B,78,68)		CKSSYB104K10
	R 638	(B,36,80)	RS1/16SS821J	C 166	(A,57,16)		CCSSCH101J50
	R 639	(B,36,70)	RS1/16SS821J	C 167	(A,56,14)		CCSSCH101J50
	R 640	(B,31,73)	RS1/16SS0R0J	C 168	(A,55,14)		CCSSCH101J50
				C 169	(A,54,16)		CCSSCH101J50
	R 643	(A,61,89)	RS1/16SS681J				
	R 645	(B,28,71)	RS1/16SS0R0J	C 170	(A,60,16)		CCSSCH101J50
	R 646	(A,66,101)	RS1/16SS102J	C 171	(A,58,16)		CCSSCH101J50
	R 647	(A,31,87)	RS1/16SS103J	C 172	(A,56,16)		CCSSCH101J50
	R 650	(A,69,103)	RS1/16SS103J	C 173	(A,55,16)		CCSSCH101J50
				C 174	(A,62,16)		CCSSCH101J50
E	R 651	(A,69,101)	RS1/16SS102J				
	R 653	(A,60,99)	RS1/16SS0R0J	C 175	(A,60,14)		CCSSCH101J50
	R 654	(A,60,98)	RS1/16SS0R0J	C 176	(A,58,14)		CCSSCH101J50
	R 655	(A,60,97)	RS1/16SS0R0J	C 177	(A,57,14)		CCSSCH101J50
	R 658	(B,62,86)	RS1/16SS0R0J	C 178	(A,61,16)		CCSSCH101J50
				C 179	(A,59,16)		CCSSCH101J50
	R 661	(B,39,35)	RS1/16SS0R0J				
	R 662	(B,38,35)	RS1/16SS0R0J	C 180	(A,59,14)		CCSSCH101J50
	R 663	(B,44,23)	RS1/10SR0R0J	C 181	(A,63,16)		CCSSCH101J50
				C 182	(A,63,14)		CCSSCH101J50
				C 183	(A,62,14)		CCSSCH101J50
				C 184	(A,61,14)		CCSSCH101J50

CAPACITORS

	C 51	(A,14,47)	10 uF	CCG1192			
F	C 52	(A,23,50)	10 uF	CCG1192	C 185	(A,65,21)	CCSSCH470J50
	C 53	(A,17,56)		CKSSYB392K50	C 186	(A,64,14)	CCSSCH101J50
	C 54	(A,18,55)		CKSSYB104K10	C 187	(A,65,18)	CCSSCH180J50
	C 55	(A,15,40)	10 uF	CCG1192	C 190	(B,39,65)	CCSSCH120J50
					C 191	(B,38,27)	4.7 uF
							CCG1201

1

2

3

4

5		6	7		8
<u>Circuit Symbol and No.</u>		<u>Part No.</u>	<u>Circuit Symbol and No.</u>		<u>Part No.</u>
C 192	(B,41,25) 4.7 uF	CCG1201	C 256	(B,47,37)	CKSSYB104K10
C 193	(B,50,27) 4.7 uF	CCG1201	C 257	(B,49,35)	CKSSYB104K10
C 194	(B,47,28) 4.7 uF	CCG1201	C 258	(B,56,37)	CKSSYB104K10
C 195	(B,43,28) 4.7 uF	CCG1201	C 259	(B,50,44)	CKSSYB104K10
C 196	(B,41,32)	CKSSYB104K10	C 260	(B,56,38)	CKSSYB104K10
C 197	(B,43,32)	CKSSYB104K10	C 262	(B,51,44)	CKSSYB104K10
C 198	(B,46,32)	CKSSYB104K10	C 263	(B,56,41)	CKSSYB104K10
C 199	(B,45,37)	CKSSYB104K10	C 264	(B,52,44)	CKSSYB104K10
C 200	(B,44,35)	CKSSYB104K10	C 265	(B,56,42)	CKSSYB104K10
C 202	(B,39,60)	CCSSCH6R0D50	C 266	(B,53,44)	CKSSYB104K10
C 203	(B,39,30)	CKSSYB104K10	C 267	(B,53,35)	CKSSYB104K10
C 204	(B,43,31)	CKSSYB104K10	C 268	(B,47,42)	CKSSYB104K10
C 205	(B,47,31)	CKSSYB104K10	C 269	(B,52,35)	CKSSYB104K10
C 206	(B,46,30)	CKSSYB104K10	C 271	(B,47,41)	CKSSYB104K10
C 207	(B,44,30)	CKSSYB104K10	C 272	(B,47,38)	CKSSYB104K10
C 211	(B,34,60)	CKSSYB104K10	C 273	(B,50,35)	CKSSYB104K10
C 212	(B,41,43)	CKSSYB104K10	C 274	(B,51,35)	CKSSYB104K10
C 213	(B,39,44) 4.7 uF	CCG1201	C 277	(B,45,41) 4.7 uF	CCG1201
C 214	(B,39,40) 4.7 uF	CCG1201	C 278	(B,34,56)	CKSSYB104K10
C 215	(B,41,39)	CKSSYB104K10	C 279	(B,56,35)	CKSSYB104K10
C 216	(B,44,38)	CKSSYB104K10	C 280	(B,58,34)	CKSSYB104K10
C 217	(B,44,39)	CKSSYB104K10	C 281	(B,58,32)	CKSSYB105K6R3
C 218	(A,39,29)	CCSSCH120J50	C 282	(B,58,42)	CKSSYB105K6R3
C 219	(A,34,26)	CCSSCH8R0D50	C 283	(B,60,38) 10 uF	CCG1192
C 220	(B,44,44)	CKSSYB104K10	C 289	(B,58,19) 10 uF	CCG1192
C 221	(B,44,45)	CKSSYB104K10	C 301	(A,19,13)	CKSRBY104K50
C 222	(B,44,46)	CKSSYB104K10	C 382	(A,34,33)	CKSSYB104K10
C 223	(B,47,35)	CKSSYB104K10	C 383	(A,38,16)	CKSSYB104K10
C 224	(B,48,33)	CKSSYB104K10	C 401	(B,80,25)	CKSSYB104K10
C 225	(A,47,26)	CCSSCH100D50	C 402	(B,82,25)	CKSSYB104K10
C 226	(B,47,46)	CKSSYB104K10	C 403	(B,74,25)	CKSSYB104K10
C 227	(B,48,46)	CKSSYB104K10	C 404	(B,75,25)	CKSSYB104K10
C 228	(B,49,46)	CKSSYB104K10	C 405	(B,75,27)	CKSSYB104K10
C 229	(A,49,21)	CCSSCH9R0D50	C 406	(B,77,25)	CKSSYB104K10
C 230	(B,51,46)	CKSSYB104K10	C 407	(B,78,25)	CKSSYB104K10
C 231	(B,50,32)	CKSSYB104K10	C 408	(B,78,27)	CKSSYB104K10
C 232	(B,52,46)	CKSSYB104K10	C 409	(A,81,23)	CKSSYB104K10
C 233	(B,51,32)	CKSSYB104K10	C 410	(A,88,25)	CKSSYB104K10
C 234	(B,52,32)	CKSSYB104K10	C 411	(B,74,32)	CKSSYB104K10
C 235	(B,53,32)	CKSSYB104K10	C 412	(B,75,32)	CKSSYB104K10
C 236	(B,54,32)	CKSSYB104K10	C 413	(B,75,29)	CKSSYB104K10
C 237	(B,55,46)	CKSSYB104K10	C 414	(B,77,32)	CKSSYB104K10
C 238	(B,55,32)	CKSSYB104K10	C 415	(B,78,34)	CKSSYB104K10
C 239	(B,56,46)	CKSSYB104K10	C 416	(B,78,29)	CKSSYB104K10
C 240	(B,56,32)	CKSSYB104K10	C 417	(A,81,34)	CKSSYB104K10
C 241	(B,57,46)	CKSSYB104K10	C 418	(A,83,34)	CKSSYB104K10
C 242	(B,60,26) 4.7 uF	CCG1201	C 419	(B,80,51)	CKSSYB104K10
C 243	(B,60,46)	CKSSYB104K10	C 420	(B,82,51)	CKSSYB104K10
C 244	(B,58,45)	CKSSYB104K10	C 421	(B,74,47)	CKSSYB104K10
C 245	(B,58,44)	CKSSYB104K10	C 422	(B,75,47)	CKSSYB104K10
C 246	(B,58,41)	CKSSYB104K10	C 423	(B,75,49)	CKSSYB104K10
C 247	(B,58,40)	CKSSYB104K10	C 424	(B,77,47)	CKSSYB104K10
C 248	(B,58,39)	CKSSYB104K10	C 425	(B,78,47)	CKSSYB104K10
C 249	(B,58,38)	CKSSYB104K10	C 426	(B,79,49)	CKSSYB104K10
C 250	(B,58,36)	CKSSYB104K10	C 427	(A,81,45)	CKSSYB104K10
C 251	(B,58,35)	CKSSYB104K10	C 428	(A,88,47)	CKSSYB104K10
C 252	(B,61,31)	CKSSYB104K10	C 429	(B,74,54)	CKSSYB104K10
C 253	(B,56,43)	CKSSYB104K10	C 430	(B,75,54)	CKSSYB104K10
C 254	(B,58,43)	CKSSYB104K10	C 431	(B,75,51)	CKSSYB104K10
C 255	(B,49,44)	CKSSYB104K10	C 432	(B,77,54)	CKSSYB104K10

	1	2	3	4
	<u>Circuit Symbol and No.</u>	<u>Part No.</u>	<u>Circuit Symbol and No.</u>	<u>Part No.</u>
A	C 433 (B,78,54)	CKSSYB104K10	C 527 (B,79,81)	CCSSCH102J50
	C 434 (B,79,52)	CKSSYB104K10	C 528 (B,76,85)	CCSSCH102J50
	C 435 (A,81,56)	CKSSYB104K10	C 571 (B,34,75)	CKSSYB103K16
	C 436 (A,83,56)	CKSSYB104K10	C 572 (B,32,75) 10 uF	CCG1192
	C 437 (B,82,26)	CKSSYB105K6R3	C 573 (A,63,88)	CCSSCH100D50
	C 438 (B,82,52)	CKSSYB105K6R3	C 574 (A,63,93)	CCSSCH100D50
	C 439 (B,83,28) 10 uF	CCG1192	C 575 (B,56,91)	CKSSYB104K10
	C 440 (B,82,53) 10 uF	CCG1192	C 576 (B,52,91)	CKSSYB104K10
	C 451 (B,68,57)	CKSSYB104K10	C 577 (B,50,91)	CKSSYB104K10
	C 471 (B,81,85)	CKSSYB104K10	C 578 (A,44,94)	CKSSYB104K10
B	C 472 (B,85,86)	CKSSYB104K10	C 579 (A,40,94)	CKSSYB104K10
	C 473 (B,89,85)	CKSSYB104K10	C 580 (A,35,88)	CKSSYB104K10
	C 474 (B,76,88)	CKSRYB105K16	C 581 (A,33,82)	CKSSYB104K10
	C 478 (B,51,75)	CKSSYB105K6R3	C 582 (A,57,94)	CKSSYB104K10
	C 479 (B,51,74)	CKSSYB103K16	C 583 (A,48,94)	CKSSYB104K10
	C 480 (B,52,82)	CKSSYB103K16	C 584 (A,46,94)	CKSSYB104K10
	C 481 (B,52,83)	CKSSYB105K6R3	C 585 (A,42,94)	CKSSYB104K10
	C 482 (B,68,105) 10 uF(C)	CCG1192	C 586 (A,38,94)	CKSSYB104K10
	C 483 (B,70,105) (C)	CKSRYB104K16	C 587 (A,34,86)	CKSSYB104K10
	C 484 (B,80,79)	CKSSYB224K6R3	C 588 (A,33,81)	CKSSYB104K10
	C 485 (B,80,78)	CKSSYB224K6R3		
	C 486 (B,79,78)	CKSSYB224K6R3	C 589 (A,36,76)	CKSSYB104K10
	C 487 (B,87,82)	CKSRYB105K16	C 590 (A,60,85)	CKSSYB104K10
	C 488 (B,90,77)	CKSRYB105K16	C 591 (A,60,80)	CKSSYB104K10
	C 489 (B,80,75)	CKSSYB104K10	C 592 (A,60,74)	CKSSYB104K10
C	C 490 (B,71,103) (C)	CKSRYB104K16	C 593 (A,40,70)	CKSSYB104K10
	C 491 (B,77,85)	CKSSYB104K10	C 594 (A,46,70)	CKSSYB104K10
	C 492 (B,84,82)	CKSRYB105K16	C 595 (A,52,70)	CKSSYB104K10
	C 493 (B,80,81)	CKSSYB104K10	C 596 (A,55,70)	CKSSYB104K10
	C 494 (B,79,80)	CKSSYB103K25	C 597 (A,49,70)	CKSSYB104K10
	C 495 (B,79,87) 10 uF	CCG1192	C 598 (A,43,70)	CKSSYB104K10
	C 496 (B,75,70)	CKSSYB104K10	C 599 (A,35,85)	CKSSYB104K10
	C 497 (B,72,93) 10 uF	CCG1192	C 600 (A,36,78)	CKSSYB104K10
	C 498 (B,74,70)	CKSSYB104K10	C 601 (A,35,75)	CKSSYB104K10
	C 499 (B,78,90) 10 uF	CCG1192	C 602 (A,60,77)	CKSSYB104K10
D	C 500 (B,74,88) (C)	CKSRYB105K16	C 603 (A,60,83)	CKSSYB104K10
	C 501 (B,73,87)	CKSSYB104K10	C 604 (A,60,87)	CKSSYB104K10
	C 502 (B,70,88)	CKSSYB104K10	C 605 (A,67,86)	CKSYB106K10
	C 503 (B,72,70)	CKSSYB104K10	C 606 (A,60,90)	CKSSYB104K10
	C 504 (B,70,86)	CKSSYB104K10	C 607 (A,67,84)	CKSYB106K10
	C 505 (B,69,70)	CKSSYB104K10	C 609 (A,85,73) 4.7 uF	CCG1201
	C 506 (B,67,70)	CKSSYB104K10	C 610 (A,76,75) 4.7 uF	CCG1201
	C 507 (B,65,91)	CCSSCH4R0C50	C 611 (A,67,71)	CKSQYB475K6R3
	C 508 (B,68,89)	CCSSCH5R0C50	C 612 (A,76,71)	CKSQYB475K6R3
	C 509 (B,63,81)	CKSSYB104K10	C 614 (B,39,69) 10 uF	CCG1192
E	C 510 (B,63,80)	CKSSYB104K10	C 616 (B,30,75)	CKSRYB105K10
	C 511 (B,63,84)	CKSSYB103K16	C 617 (B,33,80)	CCSRCH182J50
	C 512 (B,72,89) 10 uF	CCG1192	C 618 (B,33,68)	CCSRCH182J50
	C 513 (B,83,94)	CKSSYB104K10	C 630 (B,45,77)	CCSSCH470J50
	C 514 (B,69,97) 10 uF	CCG1192	C 664 (B,65,97)	CCSSCH101J50
	C 515 (B,87,94)	CKSSYB104K10	C 665 (B,76,108)	CCSSCH101J50
	C 516 (B,90,94)	CKSSYB104K10		
	C 517 (B,85,100) 10 uF	CCG1192		
	C 518 (B,81,99) 10 uF	CCG1192		
	C 519 (B,88,100) 10 uF	CCG1192		
F	C 520 (B,86,100) 10 uF	CCG1192		
	C 521 (B,92,100) 10 uF	CCG1192		
	C 522 (B,90,100) 10 uF	CCG1192		
	C 524 (A,81,100) (C)	CEVW330M10		
	C 525 (A,75,100) (C)	CEVW330M10		
C 526 (B,79,75)	CCSSCH102J50			

B
Unit Number : CWN7320(A)
Unit Number : CWN7321(B)
Unit Number : CWN7638(C)
Unit Name : AV Unit

MISCELLANEOUS

5		6		7		8	
<u>Circuit Symbol and No.</u>		<u>Part No.</u>		<u>Circuit Symbol and No.</u>		<u>Part No.</u>	
IC 1003	(B,48,136) IC	NJW4830U2		D 1071	(A,73,113) Diode	DAN202UM	
IC 1111	(A,90,129) IC	PA2030A					
IC 1141	(B,144,50) IC	AN33012UA		D 1072	(A,68,116) Diode	DA2J101	
IC 1191	(A,103,52) IC	NJM2856DL3-05		D 1111	(B,129,142) Diode	CRG03	A
IC 1221	(B,122,88) IC	S-812C33AUA-C2N		D 1131	(A,102,95) Diode	CMS03	
				D 1132	(A,106,95) Diode	CMS03	
IC 1241	(A,164,87) IC	NJM2388F84		D 1141	(A,140,71) Diode	RB080L-30	
IC 1251	(A,71,49) IC(A,C)	PEQ208A8					
	(A,71,49) IC(B)	PEQ209A8		D 1161	(A,147,71) Diode	RB080L-30	
IC 1252	(B,76,52) Reset IC	S-80829CNMC-B80		D 1211	(A,123,40) Diode(C)	1SR154-400	
IC 1441	(B,79,106) IC	PM9012A		D 1212	(A,124,50) Diode(C)	HZU6R2(B3)	
IC 1471	(B,74,94) IC	TC4052BFT		D 1221	(B,111,92) Diode	DZ2J180M0	
				D 1222	(B,105,96) Diode	1SR154-400	
IC 1511	(A,85,80) Dual OP-AMP	NJM4565V		D 1251	(B,77,54) Diode	DA2J101	
IC 1531	(A,72,81) Dual OP-AMP	NJM4565V		D 1601	(A,55,96) Diode	RN731VN	
IC 1551	(B,162,14) Dual OP-AMP(C)	NJM4565V					
IC 1561	(A,85,94) Dual OP-AMP	NJM4565V		D 1602	(A,55,89) Diode	RN731VN	B
IC 1601	(A,46,80) IC	TDA7706		D 1604	(A,36,96) Diode	EZAEG2A50AX	
IC 1661	(B,117,64) IC	OZ529IEGN		D 1661	(A,122,63) Diode	RB060M-30	
				D 1751	(B,73,14) Diode	1SR154-400	
IC 1741	(A,30,51) Regulator IC	NJM2846DL3-05		L 1001	(A,115,112) Choke Coil 600 uH	CTH1221	
IC 1751	(B,70,24) IC	NJM2886DL3-33					
IC 1761	(B,61,24) Regulator IC	NJM2856DL3-18		L 1131	(A,116,93) Choke Coil 6.8 uH	CTH1434	
IC 1791	(B,106,34) IC	WM8761BGED		L 1141	(A,136,62) Choke Coil 10 uH	CTH1446	
IC 1861	(A,153,90) Regulator IC	NJM2872BF33		L 1161	(A,151,62) Choke Coil 10 uH	CTH1446	
				L 1601	(A,56,92) Chip Coil	LCTAWR15J2520	
IC 1871	(B,155,91) IC	BA10358F		L 1602	(A,48,91) Inductor	CTF1786	
IC 1872	(A,149,105) IC	UBX-G6010-ST					
Q 1001	(B,91,93) Transistor	LTC014YEB		L 1603	(A,44,92) Inductor	CTF1786	
Q 1011	(B,103,69) Transistor	LSCR523UB		L 1604	(A,52,93) Chip Coil	LCTAWR27J2520	C
Q 1021	(B,100,69) Chip Transistor	HN1C01FU		L 1605	(A,38,93) Inductor	CTF1389	
				L 1608	(A,35,91) Inductor	LCYC220K1608	
Q 1022	(B,148,142) Chip Transistor	HN1A01FU		L 1609	(A,59,85) Inductor	CTF1786	
Q 1031	(B,152,138) Transistor	LTC014EEB					
Q 1041	(B,113,138) Transistor	LSCR523UB		L 1610	(A,59,84) Inductor	CTF1786	
Q 1042	(B,110,138) Transistor	LSCR523UB		L 1611	(A,34,83) Chip Coil	LCTAW470J2520	
Q 1061	(B,60,114) Transistor	LSCR523UB		L 1612	(A,37,79) Inductor	CTF1786	
				L 1613	(A,41,67) Inductor	CTF1786	
Q 1071	(A,70,109) Transistor	DRA9A24E0		L 1614	(A,55,68) Inductor	CTF1786	
Q 1072	(A,70,111) Chip Transistor	RN4983					
Q 1111	(B,70,120) Chip Transistor	RN1903		L 1616	(A,50,67) Inductor	CTF1786	
Q 1141	(A,134,73) FET	SFT1342		L 1618	(A,36,89) Inductor	LCYB68NJ1608	
Q 1161	(A,152,73) FET	SFT1342		L 1619	(A,52,90) Inductor	CTF1794	D
				L 1661	(A,120,58) Choke Coil 33 uH	CTH1417	
Q 1211	(A,117,43) Transistor(C)	2SD2118		L 1662	(B,122,67) Inductor	CTF1793	
Q 1212	(A,126,47) Transistor(C)	DRC9A14E0					
Q 1221	(B,117,96) Transistor	2SB1184F5		L 1791	(B,102,37) Ferrite Bead	CTF1528	
Q 1222	(B,109,97) Transistor	2SD1664		L 1792	(B,111,38) Ferrite Bead	CTF1528	
Q 1231	(B,117,83) Transistor	LTC014EEB		L 1801	(B,149,121) Inductor	CTF1545	
				L 1871	(A,155,103) SMD Ferrite Bead	CTF1806	
Q 1232	(B,122,81) Transistor	LSAR523UB		L 1872	(A,155,109) Inductor	LCYB10NJ1005	
Q 1361	(A,154,19) Chip Transistor(C)	RN4982					
Q 1362	(A,152,16) Chip Transistor(C)	HN1C03FU		L 1874	(A,168,105) Inductor	LCYC1R0K2125	
Q 1471	(B,74,89) Transistor	LTC014EEB		L 1875	(A,172,107) Inductor	CTF1736	
Q 1472	(B,62,111) Transistor	LSCR523UB		L 1878	(B,97,22) Chip Beads	VTL1126	
				L 1879	(B,97,26) Chip Beads	VTL1126	E
Q 1581	(B,35,119) Chip Transistor	HN1C03FU		X 1251	(A,91,43) Resonator 3.932 16 MHz	CSS1772	
Q 1582	(B,46,119) Chip Transistor	HN1C03FU					
Q 1583	(A,160,19) Transistor(C)	LSCR523UB		X 1601	(A,58,77) Resonator 36.480 MHz	CSS1805	
Q 1871	(B,168,96) Transistor	2SB1132		X 1871	(A,155,98) TCXO 26 MHz	CWX4207	
D 1001	(B,127,117) Diode	CRG03		X 1872	(A,144,114) Resonator 32.768 kHz	CSS1807	
				F 1871	(A,151,113) Filter	CTF1830	
D 1002	(B,125,117) Diode	CRG03		△ P1141	(A,144,90) Fuse 6.3 A	CEK1262	
D 1011	(B,108,74) Diode	HZU7L(C3)		△ P1181	(A,139,20) Fuse 1.25 A(C)	CEK1281	
D 1012	(B,108,71) Diode	DZ2J200M0		△ P1182	(A,142,18) Fuse 3 A(C)	CEK1286	
D 1021	(B,101,73) Diode	HZU7L(A1)					
D 1022	(B,145,142) Diode	DAN202UM		△ P1201	(A,108,62) Fuse 1.5 A	CEK1282	
				△ P1211	(A,124,45) Fuse 2.5 A(C)	CEK1285	
D 1031	(B,155,141) Diode	DA2J101		△ P1392	(A,23,5) Fuse 1 A(C)	CEK1254	F
D 1041	(B,119,139) Diode	RKZ5.6KG(B2)		P 1581	(B,52,121) Poly Switch	FSMD075-24R	
D 1061	(B,65,114) Diode	DA2J101		P 1601	(B,20,97) Surge Absorber	IMSA-6803-01Y900	
D 1062	(B,63,118) Diode	RKZ8.2KG(B2)					

1

2

3

4

Circuit Symbol and No.**Part No.****Circuit Symbol and No.****Part No.**

BZ1421 (A,49,29) Buzzer
 CN1001 (A,100,81) Connector
 CN1361 (A,151,7) Connector(C)
 CN1381 (A,124,16) Connector(C)
 CN1392 (A,26,18) Connector(C)

CPV1062
 CKS4674
 VKN1620
 CKS6095
 CKS4997

R 1211 (A,123,47) (C)
 R 1212 (A,114,48) (C)
 R 1213 (A,124,48) (C)
 R 1221 (B,117,89)

RS1/10SR121J
 RS1/16SS473J
 RS1/16SS220J
 RS1/16SS391J

CN1401 (A,147,28) Connector
 CN1771 (A,86,22) Connector
 JA1001 (A,123,137) Plug
 JA1581 (A,41,107) Pin Jack
 JA1601 (A,13,117) Antenna Jack

CKS5586
 CKS6346
 CKM1586
 YKB5011
 YKS5041

R 1222 (B,109,94)
 R 1231 (B,120,83)
 R 1232 (B,122,83)
 R 1253 (B,57,56)
 R 1262 (B,78,56)

RS1/16SS911J
 RS1/16SS102J
 RS1/16SS103J
 RS1/16SS104J
 RS1/16SS104J

JA1801 (A,147,129) Jack
 JA1871 (A,161,123) Connector
 JA1911 (A,63,127) Jack

CKN1040
 CKS5702
 CKS6437

R 1263 (B,84,48)
 R 1264 (B,84,49)
 R 1267 (A,85,47)
 R 1269 (B,83,42)
 R 1270 (B,79,47)

RS1/16SS104J
 RS1/16SS104J
 RS1/16SS100J
 RS1/16SS104J
 RS1/16SS102J

RESISTORS

R 1001 (B,92,96)
 R 1002 (B,91,91)
 R 1014 (B,107,68)
 R 1015 (B,107,67)
 R 1016 (B,107,70)
 R 1017 (B,106,71)
 R 1021 (B,114,121) 1 kohm
 R 1022 (B,104,73)
 R 1023 (B,103,73)
 R 1024 (B,100,72)

RS1/16SS103J
 RS1/16SS103J
 RS1/16SS473J
 RS1/16SS104J
 RS1/16SS103J
 RS1/16SS103J
 CCN1326
 RS1/16SS472J
 RS1/16SS473J
 RS1/16SS103J

R 1271 (B,84,41)
 R 1273 (A,86,50) (C)
 R 1274 (B,84,50) (C)
 R 1275 (A,89,61)

RS1/16SS473J
 RS1/16SS681J
 RS1/16SS273J
 RS1/16SS472J

R 1026 (B,140,143) 10 kohm
 R 1027 (B,147,145)
 R 1028 (B,147,140)
 R 1031 (B,152,142) 1 kohm
 R 1032 (B,154,140)

CCN1327
 RS1/16SS473J
 RS1/16SS473J
 CCN1326
 RS1/16SS103J

R 1276 (A,88,61)
 R 1277 (A,85,62) (C)
 R 1278 (B,81,37)
 R 1279 (B,81,34)

RS1/16SS472J
 RS1/16SS473J
 RS1/16SS473J
 RS1/16SS472J

R 1033 (B,158,138)
 R 1041 (B,112,141)
 R 1042 (B,116,139)
 R 1043 (B,110,141)
 R 1044 (B,121,141)

RS1/16SS472J
 RS1/16SS473J
 RS1/16SS104J
 RS1/16SS473J
 RS1/16SS472J

R 1280 (A,81,34)
 R 1281 (A,82,65)
 R 1282 (A,81,65)
 R 1283 (A,80,65)
 R 1284 (B,79,63)
 R 1285 (A,77,35)
 R 1286 (B,73,62)
 R 1287 (B,74,37)
 R 1288 (A,77,68)
 R 1289 (B,70,36)

RS1/16SS471J
 RS1/16SS473J
 RS1/16SS473J
 RS1/16SS473J
 RS1/16SS473J

R 1045 (B,124,139) 1 kohm
 R 1061 (B,62,113)
 R 1062 (B,60,117)
 R 1063 (B,61,117)
 R 1071 (A,68,113)

CCN1326
 RS1/16SS103J
 RS1/16SS104J
 RS1/16SS473J
 RS1/16SS102J

R 1290 (B,79,66)
 R 1291 (B,71,37) (A,B)
 R 1292 (B,71,39) (C)
 R 1294 (A,75,65)
 R 1295 (B,72,39)
 R 1296 (B,73,37) (A,C)
 R 1297 (B,73,39) (B)

RS1/16SS101J
 RS1/16SS104J
 RS1/16SS103J
 RS1/16SS122J
 RS1/16SS104J
 RS1/16SS473J
 RS1/16SS473J
 RS1/16SS101J
 RS1/16SS473J
 RS1/16SS473J

R 1111 (B,72,118)
 R 1114 (B,73,120)
 R 1118 (B,73,126)
 R 1142 (B,134,53)
 R 1143 (B,134,52)

RS1/16SS103J
 RS1/16SS221J
 RS1/16SS473J
 RS1/16SS511J
 RS1/16SS3302D

R 1300 (A,68,35)
 R 1301 (B,67,36)
 R 1302 (A,69,66)
 R 1303 (A,69,67)
 R 1304 (A,65,64)

RS1/16SS473J
 RS1/16SS473J
 RS1/16SS473J
 RS1/16SS473J
 RS1/16SS473J

R 1144 (B,134,51)
 R 1145 (B,132,51)
 R 1147 (B,135,49)
 R 1150 (B,131,53)
 R 1151 (B,131,55)

RS1/16SS4301D
 RS1/16SS3601D
 RS1/16SS153J
 RS1/16SS101J
 RS1/16SS103J

R 1305 (A,59,33)
 R 1306 (A,59,34)
 R 1307 (A,55,47)
 R 1308 (A,55,45)
 R 1309 (A,55,46)

RS1/16SS104J
 RS1/16SS104J
 RS1/16SS221J
 RS1/16SS221J
 RS1/16SS221J

R 1152 (B,136,55)
 R 1161 (B,150,54)
 R 1162 (B,153,48)
 R 1164 (B,154,49)
 R 1165 (B,155,48)

RS1/16SS103J
 RS1/16SS224J
 RS1/16SS103J
 RS1/16SS1101D
 RS1/16SS2701D

R 1310 (A,52,44)
 R 1311 (A,55,44)
 R 1314 (A,54,41)
 R 1315 (A,56,41)
 R 1316 (A,55,42)

RS1/16SS104J
 RS1/16SS221J
 RS1/16SS223J
 RS1/16SS223J
 RS1/10SR0R0J

R 1166 (B,154,50)
 R 1167 (B,154,51)
 R 1168 (B,147,55)
 R 1170 (B,134,55)

RS1/16SS2702D
 RS1/16SS511J
 RS1/16SS101J
 RS1/16SS101J

R 1317 (A,86,64)
 R 1319 (A,52,46)
 R 1320 (A,74,65)
 R 1324 (A,86,55)
 R 1325 (A,86,54)

RS1/16SS222J
 RS1/16SS104J
 RS1/16SS101J
 RS1/16SS471J
 RS1/16SS471J

R 1331 (A,67,35)

RS1/16SS104J

1

2

3

4

5		6		7		8	
<u>Circuit Symbol and No.</u>		<u>Part No.</u>		<u>Circuit Symbol and No.</u>		<u>Part No.</u>	
R 1332	(A,54,52)	RS1/16SS101J		R 1537	(A,69,78)	RS1/16SS473J	
R 1333	(A,55,53)	RS1/16SS101J		R 1538	(A,75,78)	RS1/16SS473J	
R 1334	(A,55,55)	RS1/16SS101J		R 1551	(B,62,83)	RS1/10SR0R0J	
R 1336	(A,85,34)	RS1/16SS472J		R 1552	(B,62,85)	RS1/10SR0R0J	A
R 1338	(A,84,63)	RS1/16SS104J		R 1553	(B,66,105)	RS1/10SR0R0J	
R 1344	(A,83,34)	RS1/16SS471J		R 1555	(B,160,9) (C)	RS1/16SS473J	
R 1345	(A,82,34)	RS1/16SS471J		R 1556	(B,156,16) (C)	RS1/16SS473J	
R 1346	(B,83,33)	RS1/16SS472J		R 1557	(B,158,13) (C)	RS1/16SS473J	
R 1348	(A,94,55)	RS1/16SS104J		R 1558	(B,158,15) (C)	RS1/16SS473J	
R 1349	(A,93,55)	RS1/16SS104J		R 1559	(B,163,8) (C)	RS1/16SS473J	
R 1350	(A,92,55)	RS1/16SS104J		R 1560	(B,163,19) (C)	RS1/16SS473J	
R 1351	(A,91,55)	RS1/16SS104J		R 1561	(A,79,92)	RS1/16SS4702D	
R 1355	(B,84,57)	RS1/16SS102J		R 1562	(A,90,92)	RS1/16SS4702D	
R 1361	(A,155,20) (C)	RS1/16SS102J		R 1563	(A,80,92)	RS1/16SS4702D	
R 1362	(A,154,16) (C)	RS1/16SS472J		R 1564	(A,89,92)	RS1/16SS4702D	B
R 1363	(A,150,16) (C)	RS1/16SS472J		R 1565	(A,79,95)	RS1/16SS4702D	
R 1364	(A,156,13) (C)	RS1/16SS0R0J		R 1566	(A,90,94)	RS1/16SS4702D	
R 1366	(B,144,6) (C)	RS1/16SS471J		R 1567	(A,82,91)	RS1/16SS4702D	
R 1367	(B,144,9) (C)	RS1/16SS221J		R 1568	(A,88,91)	RS1/16SS4702D	
R 1368	(B,146,9) (C)	RS1/16SS221J		R 1575	(B,160,13) (C)	RS1/16SS473J	
R 1369	(B,147,10) (C)	RS1/16SS102J		R 1576	(B,160,15) (C)	RS1/16SS473J	
R 1370	(B,148,9) (C)	RS1/16SS221J		R 1577	(B,166,9) (C)	RS1/16SS0R0J	
R 1371	(B,149,10) (C)	RS1/16SS221J		R 1578	(B,164,20) (C)	RS1/16SS0R0J	
R 1378	(A,150,21)	RS1/10SR0R0J		R 1581	(B,36,116)	RS1/16SS821J	
R 1379	(B,146,15)	RS1/10SR0R0J		R 1582	(B,33,116)	RS1/16SS821J	C
R 1381	(B,123,19) (C)	RS1/10SR473J		R 1583	(B,34,115)	RS1/16SS472J	
R 1382	(B,121,19) (C)	RS1/10SR473J		R 1584	(B,35,115)	RS1/16SS472J	
R 1392	(A,36,21) (C)	RS1/16SS0R0J		R 1585	(B,40,119)	RS1/10SR223J	
R 1393	(A,36,19) (C)	RS1/16SS0R0J		R 1586	(B,31,119)	RS1/10SR223J	
R 1394	(A,36,6)	RS1/16SS0R0J		R 1589	(B,47,116)	RS1/16SS821J	
R 1421	(B,71,62)	RS1/16SS102J		R 1590	(B,44,116)	RS1/16SS821J	
R 1471	(B,68,96)	RS1/16SS104J		R 1591	(B,45,115)	RS1/16SS472J	
R 1472	(B,80,93)	RS1/16SS104J		R 1592	(B,46,115)	RS1/16SS472J	
R 1473	(B,68,93)	RS1/16SS104J		R 1593	(B,49,119)	RS1/10SR223J	
R 1474	(B,80,97)	RS1/16SS104J		R 1594	(B,41,119)	RS1/10SR223J	
R 1475	(B,68,97)	RS1/16SS104J		R 1599	(A,164,23) (C)	RS1/16SS471J	D
R 1476	(B,80,96)	RS1/16SS104J		R 1600	(A,162,23) (C)	RS1/16SS331J	
R 1477	(B,68,92)	RS1/16SS104J		R 1605	(A,41,95)	RS1/16SS105J	
R 1478	(B,80,94)	RS1/16SS104J		R 1606	(A,58,96)	RS1/16SS221J	
R 1484	(B,64,112)	RS1/16SS331J		R 1607	(A,58,89)	RS1/16SS751J	
R 1485	(B,70,91)	RS1/16SS473J		R 1608	(A,36,93)	RS1/16SS152J	
R 1486	(B,64,111)	RS1/16SS471J		R 1609	(A,39,89)	RS1/16SS105J	
R 1489	(B,68,95)	RS1/16SS104J		R 1610	(A,35,86)	RS1/16SS471J	
R 1490	(B,80,95)	RS1/16SS104J		R 1611	(A,36,85)	RS1/16SS330J	
R 1505	(B,63,105)	RS1/16SS102J		R 1612	(A,34,81)	RS1/16SS681J	
R 1506	(A,162,14) (C)	RS1/16SS102J		R 1614	(B,36,73)	RS1/4SA5R6J	
R 1511	(A,80,79)	RS1/16SS473J		R 1615	(B,34,73)	RS1/4SA5R6J	E
R 1512	(A,90,78)	RS1/16SS473J		R 1616	(A,41,73)	RS1/16SS101J	
R 1513	(A,81,78)	RS1/16SS473J		R 1617	(A,40,73)	RS1/16SS102J	
R 1514	(A,89,77)	RS1/16SS473J		R 1618	(A,40,75)	RS1/16SS103J	
R 1515	(A,80,81)	RS1/16SS473J		R 1621	(A,53,66)	RS1/16SS680J	
R 1516	(A,90,80)	RS1/16SS473J		R 1622	(B,32,73)	RS1/4SA5R6J	
R 1517	(A,82,77)	RS1/16SS473J		R 1623	(B,40,96)	RS1/10SR0R0J	
R 1518	(A,88,77)	RS1/16SS473J		R 1662	(B,124,63)	RS1/16SS3902D	
R 1531	(A,66,79)	RS1/16SS473J		R 1663	(B,123,61)	RS1/16SS1201D	
R 1532	(A,77,78)	RS1/16SS473J		R 1664	(B,122,61)	RS1/16SS1002D	
R 1533	(A,68,79)	RS1/16SS473J		R 1667	(B,111,68)	RS1/16SS104J	F
R 1534	(A,76,78)	RS1/16SS473J		R 1668	(B,110,67)	RS1/16SS101J	
R 1535	(A,66,81)	RS1/16SS473J		R 1669	(B,111,64)	RS1/16SS0R0J	
R 1536	(A,77,81)	RS1/16SS473J		R 1670	(B,112,67)	RS1/16SS104J	
				R 1671	(B,112,69)	RS1/16SS104J	

5		6	7		8
<u>Circuit Symbol and No.</u>		<u>Part No.</u>	<u>Circuit Symbol and No.</u>		<u>Part No.</u>
C 1243	(A,164,95)	CKSYB105K35	C 1518	(A,87,77)	CCSSCH330J50
C 1244	(A,161,95)	CKSYB475K16	C 1519	(A,88,82)	CKSSYB104K10
C 1253	(B,79,52)	CKSRYB105K10	C 1520	(A,88,83)	CKSRYB105K10
C 1254	(A,87,45)	CCSRCH150J50	C 1531	(A,68,75) 10 uF	DCH1201
C 1255	(A,85,45)	CCSSCH150J50	C 1532	(A,76,75) 10 uF	DCH1201
C 1256	(A,85,58)	CKSSYB104K10	C 1533	(A,70,75) 10 uF	DCH1201
C 1257	(A,85,37)	CKSSYB104K10	C 1534	(A,74,75) 10 uF	DCH1201
C 1258	(A,85,43)	CKSSYB104K10	C 1535	(A,67,81)	CCSSCH330J50
C 1259	(B,80,44)	CKSQYB475K6R3	C 1536	(A,76,81)	CCSSCH330J50
C 1260	(B,80,40)	CKSSYB104K10	C 1537	(A,70,78)	CCSSCH330J50
C 1261	(A,77,33)	CKSSYB103K16	C 1538	(A,74,78)	CCSSCH330J50
C 1262	(A,71,35)	CKSSYB104K10	C 1539	(A,75,83)	CKSSYB104K10
C 1263	(A,69,64)	CKSSYB104K10	C 1540	(A,75,84)	CKSRYB105K10
C 1264	(A,56,43)	CKSSYB104K10	C 1551	(B,158,11) 10 uF(C)	DCH1201
C 1363	(B,136,11) 10 uF(C)	DCH1201	C 1552	(B,152,15) 10 uF(C)	DCH1201
C 1364	(B,137,9) (C)	CKSSYB104K16	C 1553	(B,156,13) 10 uF(C)	DCH1201
C 1368	(A,148,11) (C)	CCSSCH221J50	C 1554	(B,156,15) 10 uF(C)	DCH1201
C 1374	(A,74,67)	CCSSCH820J50	C 1555	(B,163,9) (C)	CCSSCH330J50
C 1375	(A,60,66)	CCSSCH390J50	C 1556	(B,163,18) (C)	CCSSCH330J50
C 1395	(A,28,4)	CKSRYB103K50	C 1557	(B,159,13) (C)	CCSSCH330J50
C 1441	(B,69,104)	CKSQYB105K16	C 1558	(B,159,15) (C)	CCSSCH330J50
C 1442	(B,69,108)	CKSQYB105K16	C 1559	(B,164,17) (C)	CKSSYB104K10
C 1443	(B,69,107)	CKSQYB105K16	C 1560	(B,166,17) (C)	CKSRYB105K10
C 1447	(B,75,99)	CKSQYB105K16	C 1561	(A,81,88) 10 uF	DCH1201
C 1448	(B,70,115)	CKSQYB105K16	C 1562	(A,88,88) 10 uF	DCH1201
C 1449	(A,73,104)	CKSQYB105K16	C 1563	(A,83,88) 10 uF	DCH1201
C 1450	(A,71,104)	CKSQYB105K16	C 1564	(A,86,88) 10 uF	DCH1201
C 1451	(B,85,96) (C)	CKSQYB105K16	C 1565	(A,80,95)	CCSSCH330J50
C 1452	(B,83,96) (C)	CKSQYB105K16	C 1566	(A,89,94)	CCSSCH330J50
C 1453	(B,76,99)	CKSQYB105K16	C 1567	(A,83,91)	CCSSCH330J50
C 1454	(B,72,115)	CKSQYB105K16	C 1568	(A,87,91)	CCSSCH330J50
C 1455	(B,78,99)	CKSQYB105K16	C 1569	(A,88,96)	CKSSYB104K10
C 1456	(B,74,115)	CKSQYB105K16	C 1570	(A,87,98)	CKSRYB105K10
C 1457	(B,81,100)	CKSQYB105K16	C 1571	(A,163,20) (C)	CKSSYB105K6R3
C 1458	(B,76,115)	CKSQYB105K16	C 1573	(A,163,14) (C)	CKSSYB105K6R3
C 1459	(A,78,107)	CKSQYB105K16	C 1581	(B,38,115) 10 uF	DCH1165
C 1460	(B,78,115)	CKSQYB105K16	C 1582	(B,31,115) 10 uF	DCH1165
C 1464	(B,84,113) 10 uF	CCG1192	C 1585	(B,49,115) 10 uF	DCH1165
C 1465	(B,84,111)	CKSSYB104K10	C 1586	(B,42,115) 10 uF	DCH1165
C 1467	(B,88,110) 10 uF	CCG1192	C 1601	(A,44,95)	CCSSCH330J50
C 1468	(B,87,110)	CKSSYB104K10	C 1602	(A,41,93)	CKSRYB103K50
C 1469	(A,83,113) 10 uF	CCG1192	C 1603	(A,54,94)	CCSSCH6R0D50
C 1470	(A,81,113) 10 uF	CCG1192	C 1604	(A,57,94)	CKSSYB103K16
C 1471	(A,68,90)	CKSQYB225K10	C 1605	(A,47,90)	CKSSYB104K10
C 1472	(A,74,90)	CKSQYB225K10	C 1606	(A,44,90)	CKSSYB104K10
C 1473	(A,70,90)	CKSQYB225K10	C 1609	(A,57,91)	CKSSYB103K16
C 1474	(A,72,90)	CKSQYB225K10	C 1610	(A,45,90)	CKSSYB104K10
C 1475	(B,71,98)	CKSRYB104K50	C 1612	(A,58,91)	CKSSYB103K16
C 1476	(B,62,107)	CKSRYB105K10	C 1613	(A,45,88)	CKSSYB103K16
C 1478	(B,61,108)	CKSSYB104K10	C 1614	(A,42,90)	CKSSYB103K16
C 1479	(B,64,109)	CKSRYB105K10	C 1615	(A,41,90) 10 uF	CCG1192
C 1481	(A,79,98)	CCSSCH820J50	C 1616	(A,39,91)	CKSSYB223K16
C 1482	(A,73,118)	CCSSCH820J50	C 1617	(A,51,90)	CKSSYB103K16
C 1511	(A,81,74) 10 uF	DCH1201	C 1618	(A,49,92) 4.7 uF	CCG1212
C 1512	(A,89,74) 10 uF	DCH1201	C 1619	(A,50,89)	CKSSYB223K16
C 1513	(A,83,74) 10 uF	DCH1201	C 1620	(A,53,86)	CKSSYB223K16
C 1514	(A,87,74) 10 uF	DCH1201	C 1621	(A,41,68)	CCSRCH390J50
C 1515	(A,81,81)	CCSSCH330J50	C 1622	(A,56,87)	CKSRYB224K16
C 1516	(A,89,80)	CCSSCH330J50	C 1623	(A,56,85)	CKSSYB104K10
C 1517	(A,83,77)	CCSSCH330J50	C 1624	(A,34,88) 10 uF	CCG1192

	1	2	3	4
	<u>Circuit Symbol and No.</u>	<u>Part No.</u>	<u>Circuit Symbol and No.</u>	<u>Part No.</u>
A	C 1625 (A,55,83)	CKSRYB105K10	C 1874 (B,167,93)	CKSSYB103K16
	C 1626 (A,37,86)	CKSSYB104K10	C 1875 (A,165,105)	CCSSCH101J50
	C 1627 (A,58,81)	CKSSYB472K25	C 1876 (B,163,96)	CCSSCH101J50
	C 1628 (A,58,82)	CKSSYB472K25	C 1877 (A,171,105)	CKSSYB102K50
	C 1629 (A,34,85)	CCSSCH101J50	C 1878 (A,170,105)	CKSSYB103K16
	C 1630 (A,39,87)	CKSSYB104K10	C 1879 (B,140,94)	CKSSYB104K10
	C 1631 (A,33,85)	CKSSYB103K16	C 1880 (A,170,108)	CKSSYB104K10
	C 1632 (A,58,79)	CCSSCH8R0D50	C 1881 (A,160,111)	CCSSCH470J50
	C 1633 (A,55,80)	CKSSYB104K10	C 1882 (A,156,104)	CKSRYB105K10
	C 1634 (A,34,80)	CCSSCH820J50	C 1883 (A,156,105)	CKSRYB105K10
B	C 1635 (A,37,78)	CKSSYB104K10	C 1884 (A,156,107)	CKSRYB105K10
	C 1636 (A,35,75)	CKSRYB474K10	C 1885 (A,156,108)	CKSRYB105K10
	C 1637 (A,58,74)	CCSSCH8R0D50	C 1886 (A,149,99)	CKSSYB105K6R3
	C 1638 (A,36,73)	CKSSYB104K10	C 1887 (A,151,111)	CKSSYB104K10
	C 1641 (A,53,68) 2.2 uF	CCG1205	C 1888 (A,145,116)	CCSSCH120J50
	C 1642 (A,38,73)	CKSSYB104K10	C 1889 (A,143,116)	CCSSCH100D50
	C 1645 (A,51,69)	CKSSYB104K10	C 1890 (A,147,112)	CKSRYB105K10
	C 1646 (A,43,73)	CKSSYB104K10	C 1891 (A,147,100) 2.2 uF	CCG1205
	C 1647 (A,49,68) 2.2 uF	CCG1205	C 1892 (A,145,99)	CKSSYB105K6R3
	C 1648 (A,49,73)	CKSSYB104K10	C 1893 (A,144,99)	CKSSYB105K6R3
C	C 1649 (A,38,75)	CKSSYB102K50	C 1894 (A,156,100)	CKSSYB102K50
	C 1650 (A,46,90)	CKSSYB223K16	C 1895 (A,156,110)	CCSSCJ3R0C50
	C 1651 (A,38,89)	CCSSCJ3R0C50	C 1896 (A,143,101)	CKSRYB105K10
	C 1652 (A,37,80)	CKSSYB104K10	C 1897 (A,143,103)	CKSRYB105K10
	C 1653 (A,35,79)	CKSSYB104K10	C 1898 (A,143,110) 2.2 uF	CCG1205
	C 1654 (B,21,97)	CCSSCK2R0C50	C 1899 (B,140,107)	CKSRYB105K10
	C 1655 (A,41,96)	CCSSCK2R0C50	C 1900 (B,138,107)	CCSRCH102J50
	C 1661 (B,121,63)	CKSSYB681K50	C 1911 (B,55,129)	CKSRYB104K50
	C 1662 (A,114,68) 47 uF	CCG1251	C 1912 (B,70,125)	CKSRYB104K50
	C 1663 (B,116,58) 47 uF	CCG1251	C 1913 (A,89,29)	CKSSYB104K10
D	C 1664 (B,111,63)	CKSSYB104K10		
	C 1665 (A,121,66)	CKSRYB105K16		
	C 1667 (B,115,71)	CKSYB225K25		
	C 1668 (B,111,65)	CKSSYB103K16		
	C 1669 (B,121,69)	CKSSYB103K25		
	C 1670 (A,114,61) 47 uF	CCG1251		
	C 1671 (A,122,72)	CEVW100M16		
	C 1672 (A,122,68) 10 uF	CCG1223		
	C 1741 (A,34,59) 4.7 uF	CCG1222		
	C 1743 (A,29,60) 4.7 uF	CCG1201		
E	C 1751 (A,65,15) Capacitor	CEVW220M16		
	C 1752 (B,71,17)	CKSRYB105K10		
	C 1761 (B,58,17) 4.7 uF	CCG1201		
	C 1762 (B,61,17)	CKSRYB105K10		
	C 1773 (B,80,22) 10 uF	CCG1192		
	C 1774 (B,77,18) 10 uF	CCG1192		
	C 1776 (A,84,30)	CKSRYB105K16		
	C 1778 (A,71,24)	CEVW101M16		
	C 1782 (A,85,18)	CKSSYB104K10		
	C 1791 (A,104,38) 10 uF	CCG1192		
F	C 1792 (A,105,37)	CKSSYB104K10		
	C 1793 (B,107,40)	CKSSYB104K10		
	C 1795 (B,104,40) 10 uF	CCG1192		
	C 1797 (B,100,26)	CCSSCH470J50		
	C 1799 (B,101,23)	CCSSCH470J50		
	C 1861 (A,156,89)	CKSRYB105K10		
	C 1862 (A,150,90)	CKSRYB105K10		
	C 1871 (A,153,98)	CKSRYB105K10		
	C 1872 (A,154,101)	CKSSYB104K10		
	C 1873 (B,165,93)	CKSSYB104K10		



Unit Number : YWX5033(C)

Unit Name : DVD Core Unit

MISCELLANEOUS

IC 1002 (B,15,13) Regulator IC	S-1133B50-U5
IC 1003 (B,37,11) IC	S-1200B50-M5
IC 1004 (B,64,28) IC	NJM2855DL1-33
IC 1251 (A,12,42) IC	BA5839FP
IC 1401 (B,27,41) Flash ROM Unit	CWW5043
IC 1402 (B,45,28) Flash ROM Unit	CWW5044
IC 1480 (A,64,30) RAM IC	M12L64164A-5TG2Y
IC 1501 (A,39,33) IC	MN2DS0018MA
IC 1801 (B,34,16) D/A Converter	PCM1753DBQ
IC 1953 (B,57,17) IC	S-1135D12-A6
Q 1101 (B,13,59) Transistor	LSCR523UB
Q 1102 (B,13,56) Transistor	LSCR523UB
Q 1103 (B,10,63) Transistor	2SB1132
Q 1104 (B,22,54) Transistor	2SB1132
L 1501 (A,54,31) Inductor	CTF1743
L 1511 (A,48,17) Chip Beads	VTL1126
L 1902 (A,17,17) Inductor	CTF1487
L 1903 (B,63,16) Inductor	CTF1558
L 1904 (A,68,18) Ferrite Bead	CTF1528
X 1501 (B,48,18) Oscillator 27.000 MHz	CSS1823
F 1001 (A,14,19) Chip EMI Filter	DTF1106
F 1002 (B,63,18) Chip EMI Filter	DTL1106
S 1 (A,47,55) Spring Switch(HOME)	CSN1080

5		6		7		8	
<u>Circuit Symbol and No.</u>		<u>Part No.</u>		<u>Circuit Symbol and No.</u>		<u>Part No.</u>	
S 3	(B,25,13) Spring Switch(12EJ)	CSN1081		R 1508	(B,42,18)	RS1/16SS221J	
VR1101	(A,7,63) Semi-fixed 6.8 kohm(B)	CCP1447		R 1509	(A,20,34)	RS1/16SS102J	
VR1102	(A,7,60) Semi-fixed 15 kohm(B)	CCP1449		R 1510	(A,11,29)	RS1/16SS102J	
CN1101	(A,21,63) Connector	CKS6331		R 1512	(A,55,32)	RS1/16SS470J	A
CN1952	(A,42,11) Connector	CKS6025		R 1513	(A,23,38)	RS1/16SS103J	
				R 1514	(A,24,40)	RS1/16SS183J	
				R 1516	(A,24,36)	RS1/16SS104J	
				R 1517	(B,57,22)	RS1/16SS103J	

RESISTORS

R 1004	(B,12,20)	RS1/16SS4702D		R 1518	(B,33,31)	RS1/16SS103J	
R 1007	(B,12,21)	RS1/16SS6801D		R 1519	(A,24,43)	RS1/16SS102J	
R 1019	(B,34,7)	RS1/16SS101J		R 1522	(A,21,37)	RS1/16SS104J	
R 1025	(B,36,6)	RS1/16SS101J		R 1523	(A,22,37)	RS1/16SS221J	
R 1027	(A,40,18)	RS1/16SS101J		R 1524	(B,29,33)	RS1/16SS472J	
R 1101	(B,15,57)	RS1/16SS104J		R 1525	(A,24,44)	RS1/16SS103J	B
R 1102	(B,10,56)	RS1/16SS104J		R 1526	(A,22,40)	RS1/16SS103J	
R 1103	(B,14,61)	RS1/16SS4300F		R 1527	(A,35,49)	RS1/16SS682J	
R 1104	(B,11,59)	RS1/16SS5100F		R 1528	(B,19,34)	RS1/16SS103J	
R 1105	(B,17,54)	RS1/16SS4300F		R 1529	(B,35,21)	RS1/16SS103J	
R 1106	(B,10,57)	RS1/16SS5600F		R 1530	(B,17,34)	RS1/16SS103J	
R 1109	(B,6,57)	RS1/16SS3R3J		R 1531	(B,33,30)	RS1/16SS103J	
R 1110	(B,16,54)	RS1/16SS3R3J		R 1532	(A,24,42)	RS1/16SS101J	
R 1111	(B,6,63)	RS1/10SR3R3J		R 1533	(A,29,47)	RS1/16SS104J	
R 1112	(B,5,58)	RS1/10SR3R3J		R 1534	(B,29,48)	RS1/16SS221J	
R 1113	(B,15,59)	RS1/10SR3R9J		R 1535	(A,22,44)	RS1/16SS104J	
R 1114	(B,19,57)	RS1/10SR3R3J		R 1536	(B,32,48)	RS1/16SS104J	C
R 1115	(B,6,61)	RS1/10SR2R7J		R 1537	(A,24,46)	RS1/16SS104J	
R 1116	(B,6,62)	RS1/10SR2R7J		R 1538	(A,55,35)	RS1/16SS104J	
R 1117	(B,17,59)	RS1/10SR3R9J		R 1539	(B,33,48)	RS1/16SS104J	
R 1118	(B,16,59)	RS1/10SR3R9J		R 1540	(A,26,46)	RS1/16SS221J	
R 1223	(A,42,50)	RS1/16SS561J		R 1541	(A,26,45)	RS1/16SS221J	
R 1225	(B,29,8)	RS1/16SS471J		R 1542	(B,26,34)	RS1/16SS103J	
R 1251	(A,5,48)	RS1/16SS333J		R 1546	(A,33,49)	RS1/16SS682J	
R 1252	(A,5,47)	RS1/16SS473J		R 1601	(A,32,17)	RS1/16SS123J	
R 1253	(A,5,46)	RS1/16SS333J		R 1602	(A,32,18)	RS1/16SS123J	
R 1254	(A,5,45)	RS1/16SS473J		R 1603	(B,31,21)	RS1/16SS1002D	
R 1255	(A,21,48)	RS1/16SS183J		R 1604	(A,23,21)	RS1/16SS105J	D
R 1256	(A,21,46)	RS1/16SS752J		R 1605	(A,22,23)	RS1/16SS105J	
R 1257	(B,8,37)	RS1/16SS221J		R 1670	(B,40,21)	RS1/16SS1002D	
R 1258	(A,19,39)	RS1/16SS221J		R 1671	(B,42,19)	RS1/16SS2402D	
R 1401	(B,34,28)	RS1/16SS221J		R 1672	(A,39,18)	RS1/16SS2000D	
R 1402	(B,34,47)	RS1/16SS104J		R 1674	(A,36,17)	RS1/16SS3002D	
R 1405	(B,55,35)	RS1/16SS104J		R 1801	(B,41,8)	RS1/16SS104J	
R 1406	(B,39,45)	RS1/16SS472J		R 1802	(B,43,8)	RS1/16SS104J	
R 1480	(A,72,24)	RAB4CQ560J		R 1803	(B,37,13)	RS1/16SS821J	
R 1481	(A,72,28)	RAB4CQ560J		R 1804	(B,39,14)	RS1/16SS821J	
R 1482	(A,72,32)	RAB4CQ560J		R 1982	(A,10,62)	RS1/16SS822J	
R 1483	(A,72,35)	RAB4CQ560J		R 1983	(B,40,20)	RS1/16SS1000D	E
R 1484	(A,72,39)	RAB4CQ560J		R 1987	(B,43,21)	RS1/16SS0R0J	
R 1485	(A,55,22)	RAB4CQ560J					
R 1486	(A,55,28)	RAB4CQ560J					
R 1487	(A,56,37)	RAB4CQ560J					
R 1488	(A,55,40)	RAB4CQ560J					
R 1489	(A,54,30)	RS1/16SS560J					
R 1490	(A,72,21)	RS1/16SS560J					
R 1501	(B,48,21)	RS1/16SS122J					
R 1503	(B,46,21)	RS1/16SS105J					
R 1504	(A,50,17)	RS1/16SS121J					
R 1505	(B,45,15)	RS1/16SS101J					
R 1506	(B,45,14)	RS1/16SS101J					
R 1507	(B,43,17)	RS1/16SS101J					

CAPACITORS

C 1001	(B,34,10)	CKSRYB105K10	
C 1002	(B,12,17)	CKSSYB104K16	
C 1003	(B,15,19)	CKSSYB104K16	
C 1004	(B,15,17) 4.7 uF	CCG1201	
C 1005	(B,40,11)	CKSRYB105K16	
C 1010	(B,60,23)	CKSQYB225K10	F
C 1011	(B,64,22)	CKSRYB105K10	
C 1015	(A,25,7)	CKSSYB102K50	
C 1016	(B,64,15)	CKSSYB102K50	

	1	2	3	4
	<u>Circuit Symbol and No.</u>	<u>Part No.</u>	<u>Circuit Symbol and No.</u>	<u>Part No.</u>
	C 1018 (B,14,21)	CKSSYB104K10	C 1528 (B,30,48)	CCSSCH471J50
A	C 1040 (B,51,7)	CCSRCH821J50	C 1601 (A,32,19)	CKSSYB103K16
	C 1041 (B,19,11)	CCSRCH271J50	C 1602 (A,34,17)	CCSSCH101J50
	C 1101 (B,14,53) 10 uF	CCG1192	C 1603 (A,33,18)	CCSSCH101J50
	C 1104 (B,7,57)	CKSSYB104K10	C 1604 (A,30,17)	CCSSCH680J50
	C 1105 (B,18,54)	CKSSYB104K10	C 1605 (A,30,18)	CCSSCH680J50
	C 1106 (B,8,66)	CKSSYB103K16	C 1606 (A,35,19)	CKSSYB104K10
	C 1107 (B,25,53)	CKSSYB103K16	C 1607 (A,20,24) 10 uF	CCG1192
	C 1108 (A,19,57)	CKSSYB103K16	C 1608 (A,28,18) 4.7 uF	CCG1201
	C 1109 (A,7,57)	CKSRYB224K16	C 1609 (A,26,22)	CKSSYB104K10
	C 1110 (A,17,58)	CKSSYB103K16	C 1612 (A,24,24)	CKSSYB104K10
	C 1111 (A,9,66)	CKSRYB224K16	C 1613 (A,24,25)	CKSSYB104K10
	C 1112 (B,17,52) 22 uF	DCH1256	C 1614 (A,22,24)	CKSSYB104K10
B	C 1113 (B,8,58) 22 uF	DCH1256	C 1615 (A,23,26)	CKSSYB104K10
	C 1210 (B,77,34)	CKSSYB104K16	C 1616 (A,24,27)	CKSSYB104K10
	C 1251 (B,12,41)	CEVW101M16	C 1617 (B,27,28)	CKSSYB104K10
	C 1252 (B,7,41) 4.7 uF	CCG1222	C 1618 (A,22,29)	CCSSCH101J50
	C 1253 (B,7,39)	CKSSYB104K16	C 1619 (A,23,30)	CKSSYB562K25
	C 1254 (A,6,38)	CKSSYB104K16	C 1620 (B,27,30)	CKSSYB224K6R3
	C 1255 (A,18,37)	CKSSYB104K16	C 1621 (A,22,31)	CKSSYB224K6R3
	C 1401 (B,34,27)	CKSSYB104K16	C 1622 (A,24,31)	CKSSYB333K16
	C 1403 (B,39,40)	CKSSYB104K10	C 1623 (A,27,20)	CKSRYB105K10
	C 1404 (B,40,40) 4.7 uF	CCG1201	C 1624 (A,24,32)	CKSSYB104K10
	C 1408 (B,57,27)	CKSSYB104K10	C 1625 (A,24,29)	CKSSYB104K10
C	C 1409 (B,58,29) 4.7 uF	CCG1201	C 1671 (A,41,18)	CKSSYB104K10
	C 1410 (B,33,29)	CKSSYB104K16	C 1673 (A,37,19)	CKSSYB104K10
	C 1480 (A,71,19)	CKSSYB104K10	C 1674 (B,42,20)	CKSSYB104K10
	C 1481 (A,72,22)	CKSSYB104K10	C 1676 (B,38,21)	CKSRYB105K10
	C 1482 (A,72,26)	CKSSYB104K10	C 1801 (B,42,10) 4.7 uF	CCG1201
	C 1484 (A,72,30)	CKSSYB104K10	C 1802 (B,46,10) 4.7 uF	CCG1201
	C 1485 (A,72,41)	CKSSYB104K10	C 1803 (B,42,12)	CCSRCH182J50
	C 1487 (A,57,29)	CKSSYB104K10	C 1804 (B,45,12)	CCSRCH182J50
	C 1488 (A,57,25)	CKSSYB104K10	C 1805 (B,34,13)	CKSSYB104K10
	C 1489 (A,64,17) 10 uF	CCG1192	C 1806 (B,32,13) 10 uF	CCG1192
	C 1490 (A,66,18)	CKSSYB102K50	C 1809 (B,39,16)	CKSSYB104K10
D	C 1501 (B,61,20) 10 uF	CCG1192	C 1953 (B,60,17)	CKSRYB105K10
	C 1502 (B,54,20) 10 uF	CCG1192	C 1954 (B,54,17)	CKSRYB105K10
	C 1503 (A,54,33)	CKSSYB104K10	C 1955 (B,77,40)	CKSSYB104K16
	C 1504 (A,53,24)	CKSSYB104K10		
	C 1505 (A,53,27)	CKSSYB104K10		
	C 1506 (B,52,35)	CKSSYB104K10		
	C 1507 (A,53,36)	CKSSYB104K10		
	C 1508 (A,53,39)	CKSSYB104K10		
	C 1509 (A,53,42)	CKSSYB104K10		
	C 1510 (B,51,18)	CCSSCH100D50		
E	C 1511 (A,48,18)	CKSSYB104K10		
	C 1512 (B,45,18)	CCSSCH100D50		
	C 1513 (A,48,48)	CKSSYB104K10		
	C 1514 (B,45,21)	CKSSYB104K10		
	C 1515 (A,45,18)	CKSSYB104K10		
	C 1516 (A,43,48)	CKSSYB104K10		
	C 1517 (A,42,48)	CKSSYB104K10		
	C 1518 (A,38,48)	CKSSYB104K10		
	C 1519 (A,34,47)	CKSSYB104K10		
	C 1520 (A,27,47)	CKSSYB104K10		
	C 1521 (A,24,34)	CKSSYB104K10		
F	C 1522 (A,25,38)	CKSSYB104K10		
	C 1523 (A,20,46)	CKSSYB224K6R3		
	C 1524 (A,20,48)	CKSSYB473K16		
	C 1526 (A,24,37)	CKSSYB103K16		

**Monitor Unit
Consists of
Monitor PCB
Key PCB**



**Unit Number : CWN7310(A,B)
Unit Number : CWN7311(C)
Unit Name : Monitor Unit**

MISCELLANEOUS

IC 761 (A,37,50) IC	PDY088A8
IC 816 (A,78,34) IC	R1290K103A
IC 891 (A,110,58) IC	OZ527IRN
Q 751 (A,68,23) Transistor	LSCR523UB
Q 752 (A,68,31) Transistor	LSCR523UB
Q 753 (A,68,26) Transistor	LSCR523UB

	1	2	3	4
	<u>Circuit Symbol and No.</u>	<u>Part No.</u>	<u>Circuit Symbol and No.</u>	<u>Part No.</u>
	R 766 (A,31,40)	RS1/16SS820J	R 862 (A,63,43)	RS1/10SR0R0J
	R 767 (A,33,37)	RS1/16SS121J	R 863 (A,61,40)	RS1/10SR1000D
	R 768 (A,34,37)	RS1/16SS121J	R 864 (A,63,40)	RS1/10SR8R2J
A	R 769 (A,35,37)	RS1/16SS121J	R 865 (A,61,37)	RS1/10SR39R0D
	R 770 (A,36,37)	RS1/16SS121J	R 866 (A,63,37)	RS1/10SR4R7J
	R 771 (A,37,36)	RS1/16SS121J	R 867 (A,61,34)	RS1/10SR47R0D
	R 772 (A,38,36)	RS1/16SS121J	R 868 (A,63,34)	RS1/10SR0R0J
	R 773 (A,39,36)	RS1/16SS121J	R 869 (A,61,31)	RS1/10SR1800D
	R 774 (A,40,36)	RS1/16SS121J	R 870 (A,63,31)	RS1/10SR2R2J
	R 775 (A,41,36)	RS1/16SS121J	R 871 (A,61,29)	RS1/10SR33R0D
	R 776 (A,42,36)	RS1/16SS121J	R 872 (A,63,29)	RS1/10SR2R4J
	R 777 (A,43,36)	RS1/16SS121J	R 881 (A,18,42)	RS1/16SS0R0J
	R 778 (A,44,36)	RS1/16SS121J	R 882 (A,17,42)	RS1/16SS153J
	R 779 (A,45,36)	RS1/16SS121J	R 883 (A,14,44)	RS1/16SS243J
B	R 780 (A,46,36)	RS1/16SS121J	R 884 (A,16,42)	RS1/16SS243J
	R 781 (A,46,38)	RS1/16SS121J	R 885 (A,13,44)	RS1/16SS682J
	R 782 (A,46,39)	RS1/16SS121J	R 886 (A,11,44)	RS1/16SS221J
	R 783 (A,46,40)	RS1/16SS121J	R 887 (A,12,40)	RS1/16SS472J
	R 784 (A,46,41)	RS1/16SS121J	R 888 (A,12,42)	RS1/16SS101J
	R 785 (A,47,44)	RS1/16SS121J	R 891 (A,101,72)	RS1/10SR0R0J
	R 786 (A,39,64)	RS1/16SS0R0J	R 892 (A,116,50)	RS1/16SS104J
	R 788 (A,38,60)	RS1/16SS473J	R 895 (A,124,62)	RS1/16SS101J
	R 789 (A,26,51)	RS1/16SS474J	R 896 (A,120,55)	RS1/16SS563J
	R 801 (A,87,25)	RS1/10SR0R0J	R 897 (A,108,42)	RS1/16SS102J
C	R 802 (A,82,25)	RS1/16SS0R0J	R 898 (A,108,69)	RS1/16SS102J
	R 803 (A,91,22)	RS1/16SS0R0J	R 899 (A,108,68)	RS1/16SS3002D
	R 804 (A,96,22)	RS1/16SS0R0J	R 900 (A,113,64)	RS1/16SS104J
	R 805 (A,100,22)	RS1/16SS0R0J	R 901 (A,110,68)	RS1/16SS1001D
	R 806 (A,105,22)	RS1/16SS0R0J	R 902 (A,122,56)	RS1/16SS101J
	R 816 (A,78,44)	RS1/16SS472J	R 903 (A,127,54)	RS1/16SS0R0J
	R 818 (A,84,36)	RS1/10SR9102D	R 904 (A,127,55)	RS1/16SS0R0J
	R 819 (A,84,34)	RS1/10SR1802D	R 905 (A,127,56)	RS1/16SS0R0J
	R 820 (A,78,28)	RS1/16SS203J	R 906 (A,127,58)	RS1/16SS0R0J
	R 821 (A,77,28)	RS1/16SS104J	R 907 (A,108,67)	RS1/16SS1004D
	R 822 (A,75,25)	RS1/16SS103J	R 908 (A,108,66)	RS1/16SS0R0J
D	R 823 (A,93,27)	RS1/16SS0R0J	R 909 (A,108,65)	RS1/16SS6802D
	R 824 (A,81,31)	RS1/16SS1502D	R 910 (A,124,59)	RS1/16SS474J
	R 825 (A,82,32)	RS1/16SS8201D	R 911 (A,122,59)	RS1/10SR393J
	R 826 (A,81,30)	RS1/16SS1502D	R 912 (A,106,43)	RS1/16SS104J
	R 827 (A,85,37)	RS1/10SR1003D	R 914 (A,104,43)	RS1/16SS0R0J
	R 828 (A,82,37)	RS1/10SR9101D	R 915 (A,116,49)	RS1/16SS0R0J
	R 830 (A,80,30)	RS1/16SS472J	R 916 (A,99,65)	RS1/10SR0R0J
	R 831 (A,69,35)	RS1/10SR0R0J	R 917 (A,121,50)	RS1/10SR0R0J
	R 832 (A,72,31)	RS1/10SR1203D	R 921 (A,34,33)	RS1/16SS473J
	R 833 (A,74,31)	RS1/10SR3001D	R 922 (A,13,35)	RS1/16SS473J
	R 834 (A,74,29)	RS1/10SR1502D	R 923 (A,23,40)	RS1/16SS473J
E	R 835 (A,72,30)	RS1/10SR472J	R 924 (A,25,41)	RS1/16SS473J
	R 840 (A,73,42)	RS1/10SR2R2J	R 925 (A,29,38)	RS1/8SQ0R0J
	R 841 (A,88,37)	RS1/10SR0R0J	R 926 (A,20,34)	RS1/8SQ0R0J
	R 851 (A,62,57)	RS1/10SR4R7J	R 927 (A,17,37)	RS1/8SQ0R0J
	R 852 (A,62,56)	RS1/10SR56R0D	R 951 (A,19,6)	RS1/16SS511J
	R 853 (A,61,54)	RS1/10SR1800D	R 952 (A,34,6)	RS1/16SS511J
	R 854 (A,63,54)	RS1/10SR2R2J	R 953 (A,49,7) (C)	RS1/16SS511J
	R 855 (A,61,51)	RS1/10SR47R0D	R 954 (A,86,7)	RS1/16SS511J
			R 955 (A,138,6)	RS1/16SS511J
	R 856 (A,63,51)	RS1/10SR0R0J	R 927 (A,17,37)	RS1/8SQ0R0J
	R 857 (A,61,48)	RS1/10SR39R0D	R 951 (A,19,6)	RS1/16SS511J
F	R 858 (A,63,48)	RS1/10SR4R7J	R 952 (A,34,6)	RS1/16SS511J
	R 859 (A,61,45)	RS1/10SR1000D	R 953 (A,49,7) (C)	RS1/16SS511J
	R 860 (A,63,45)	RS1/10SR8R2J	R 954 (A,86,7)	RS1/16SS511J
			R 955 (A,138,6)	RS1/16SS511J
	R 861 (A,61,43)	RS1/10SR1300D	R 956 (A,154,6)	RS1/16SS511J
			R 957 (A,34,5) (A,B)	RS1/16SS0R0J
			(A,34,5) (C)	RS1/16SS222J
			R 958 (A,18,5) (A,B)	RS1/16SS222J
			(A,18,5) (C)	RS1/16SS562J
			R 959 (A,138,5)	RS1/16SS222J

5
Circuit Symbol and No.

CAPACITORS

C 751	(A,68,29)	10 uF	CCG1192
C 762	(A,35,65)		CKSRYB105K10
C 763	(A,34,64)		CKSSYB103K16
C 764	(A,47,49)		CKSSYB103K16
C 765	(A,47,51)		CKSSYB103K16
C 766	(A,41,60)		CKSSYB103K16
C 767	(A,34,60)		CKSSYB103K16
C 768	(A,41,40)		CKSSYB103K16
C 769	(A,34,40)		CKSSYB103K16
C 770	(A,26,50)		CKSSYB104K10
C 771	(A,27,50)		CKSSYB103K16
C 772	(A,27,52)		CKSSYB103K16
C 812	(A,119,30)		CKSSYB104K10
C 816	(A,75,45)		CKSQYB475K6R3
C 817	(A,74,35)		CKSSYB102K50
C 818	(A,83,41)		CKSQYB105K25
C 820	(A,87,32)		CKSRYB104K50
C 821	(A,83,46)		CKSRYB104K50
C 822	(A,85,46)		CKSRYB104K50
C 823	(A,83,49)		CKSYB475K16
C 824	(A,72,33)		CKSSYB105K6R3
C 825	(A,81,27)		CKSRYB104K50
C 826	(A,80,27)		CKSRYB123K50
C 827	(A,83,27)		CKSRYB105K16
C 828	(A,90,29)		CCSQCH101J50
C 829	(A,85,38)		CKSRYB561K50
C 830	(A,91,29)		CKSRYB683K50
C 831	(A,70,39)		CKSYB475K16
C 833	(A,77,30)		CKSRYB682K50
C 834	(A,74,30)		CCSRCH471J50
C 835	(A,71,43)		CKSRYB332K50
C 837	(A,85,41)		CKSQYB105K25
C 838	(A,86,35)		CKSRYB105K16
C 859	(A,60,43)		CKSSYB102K50
C 860	(A,59,43)		CKSSYB104K16
C 861	(A,60,40)		CKSSYB102K50
C 862	(A,59,40)		CKSSYB104K16
C 881	(A,15,42)		CKSSYB104K16
C 882	(A,8,41)	10 uF	DCH1165
C 894	(A,102,66)	10 uF	CCG1236
C 895	(A,116,58)		CKSYB105K35
C 896	(A,117,53)		CKSYB105K35
C 897	(A,102,57)	10 uF	CCG1236
C 898	(A,119,55)		CKSRYB105K10
C 899	(A,102,59)	10 uF	CCG1236
C 902	(A,114,64)		CCSSCH101J50
C 903	(A,110,69)		CKSRYB224K16
C 905	(A,110,50)	10 uF	CCG1236
C 907	(A,122,58)		CKSRYB104K16
C 921	(A,32,32)		CKSSYB102K50
C 923	(A,32,33)		CKSSYB104K16
C 925	(A,11,27)	10 uF	DCH1165
C 926	(A,9,29)		CKSSYB102K50
C 929	(A,29,32)		CKSSYB102K50
C 930	(A,29,33)		CKSSYB104K10
C 931	(A,28,35)	10 uF	CCG1234
C 934	(A,25,32)		CKSSYB104K16

6
Part No.

7
Circuit Symbol and No.

C 935	(A,22,34)	4.7 uF
C 937	(A,21,38)	
C 940	(A,17,36)	
C 942	(A,17,32)	
C 951	(A,11,6)	
C 952	(A,26,6)	
C 953	(A,40,6)	(C)
C 954	(A,79,7)	
C 955	(A,130,6)	
C 956	(A,145,6)	

8
Part No.

CCG1201
CKSQYB225K16
CKSQYB334K50
CKSSYB104K16
CKSSYB104K10
CKSSYB104K10
CKSSYB104K10
CKSSYB104K10
CKSSYB104K10
CKSSYB104K10
CKSSYB104K10

F

Unit Number : CWN7641(C)
Unit Name : Fan Control Unit

MISCELLANEOUS

Q 9901	(A,41,17)	Transistor	LTC114EUB
Q 9902	(A,40,11)	Transistor	2SA1587
Q 9903	(A,38,17)	Transistor	LTC143EUB
Q 9904	(A,18,12)	Transistor	2SD2118
D 9901	(A,35,11)	Diode	RB551VM-30
D 9902	(A,35,15)	Diode	DZ2J068M0
D 9903	(A,23,16)	Diode	DZ2J110M0
CN9901	(A,11,33)	Connector	CKS4977
CN9902	(A,62,7)	Connector	CKS6095

RESISTORS

R 9901	(A,40,14)	RS1/16SS103J
R 9902	(A,41,14)	RS1/16SS512J
R 9903	(A,38,12)	RS1/4SA681J

CAPACITORS

C 9901	(A,25,15)	CKSSYB103K16
C 9903	(A,11,18)	CKSSYB103K16
C 9904	(A,11,22)	CEVW101M16

G

Unit Number : EXX2001(C)
Unit Name : PCB Assy(Service)

MISCELLANEOUS

IC 101	Driver IC	BA6288FS
VR101	Volume 10 kohm	CCW1029
S 101	Switch(HOME)	CSN1067
S 102	Switch(HOME)	CSN1068
CN101	Connector	CKS4997

RESISTORS

R 101	RS1/16S221J
R 102	RS1/16S221J
R 103	RS1/16S0R0J

CAPACITORS

C 101	CEVW220M16
C 102	CKSRYB104K16