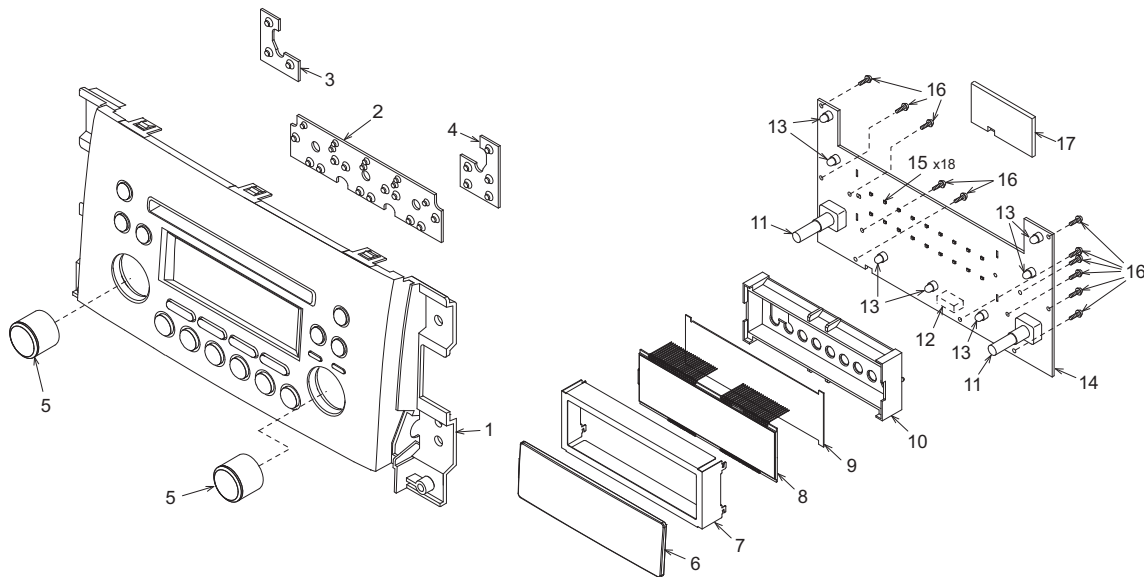


pin 66: CD BUS 1 :I/O: Data bus.
pin 67: CD BUS 0 :I/O: Data bus.
pin 68: CD RESET :O: CD IC reset pulse output.
pin 69: CD STB :O: Strobe signal output.
pin 70: CD REQUEST :IN: CD request signal input.
pin 71: CD1.5V ON 1 :O: 1.5V Power supply ON signal output.
pin 72: GIX Req/CD SB :IN: GIX request input. CD Sub code block synchronous signal detection input.
pin 73: NU : - : Not in use.
pin 74: LCD RESET :O: Reset pulse output to the LCD.
pin 75: LCD CS :O: Chip select signal output to the LCD driver.
pin 76: LCD SCK :O: Clock pulse output to the LCD driver.
pin 77: LCD DATA :I/O: Serial data input/output for the LCD driver.
pin 78: LCD REQ :IN: The key interrupt request signal input from the LCD driver.
pin 79: VOL 1 L :IN: Volume control pulse input from the rotary encoder.
pin 80: VOL 2 L :IN: Volume control pulse input from the rotary encoder.
pin 81: VOL 1 R :IN: Volume control pulse input from the rotary encoder.
pin 82: VOL 2 R :IN: Volume control pulse input from the rotary encoder.

pin 83: SEL 1 :IN: L = 1CD, H = 6CD.
pin 84: SEL 2 :IN: L = YT4, H = YY3.
pin 85: SEL 3 :IN: L = without the switch.
pin 86: SEL 4 :IN: L = without the clock.
pin 87: POWER SW :IN: Power switch ON signal input.
pin 88: CD LOAD :IN: CD-loading detection signal input.
pin 89: CD EJECT :IN: CD eject switch signal input.
pin 90: NU : - : Not in use.
pin 91: NU : - : Not in use.
pin 92: NU : - : Not in use.
pin 93: S REMOCON :IN: Steering wheel remote controller input.
pin 94: A VSS : - : Analog ground.
pin 95: AUX/Tel/BTon :IN: The input terminal of the internal ADC.
pin 96: VREF1 :IN: Reference voltage input.
pin 97: A VCC : - : Positive voltage supply for the internal analog section.
pin 98: SD/ST :IN: At receiving the FM station, this port detects the stereo signal. At seeking or scanning, this port detects the station detection signal.
pin 99: NU : - : Not in use.
pin100: PLL DI :IN: PLL serial data input.

EXPLODED VIEW / PARTS LIST

Escutcheon section



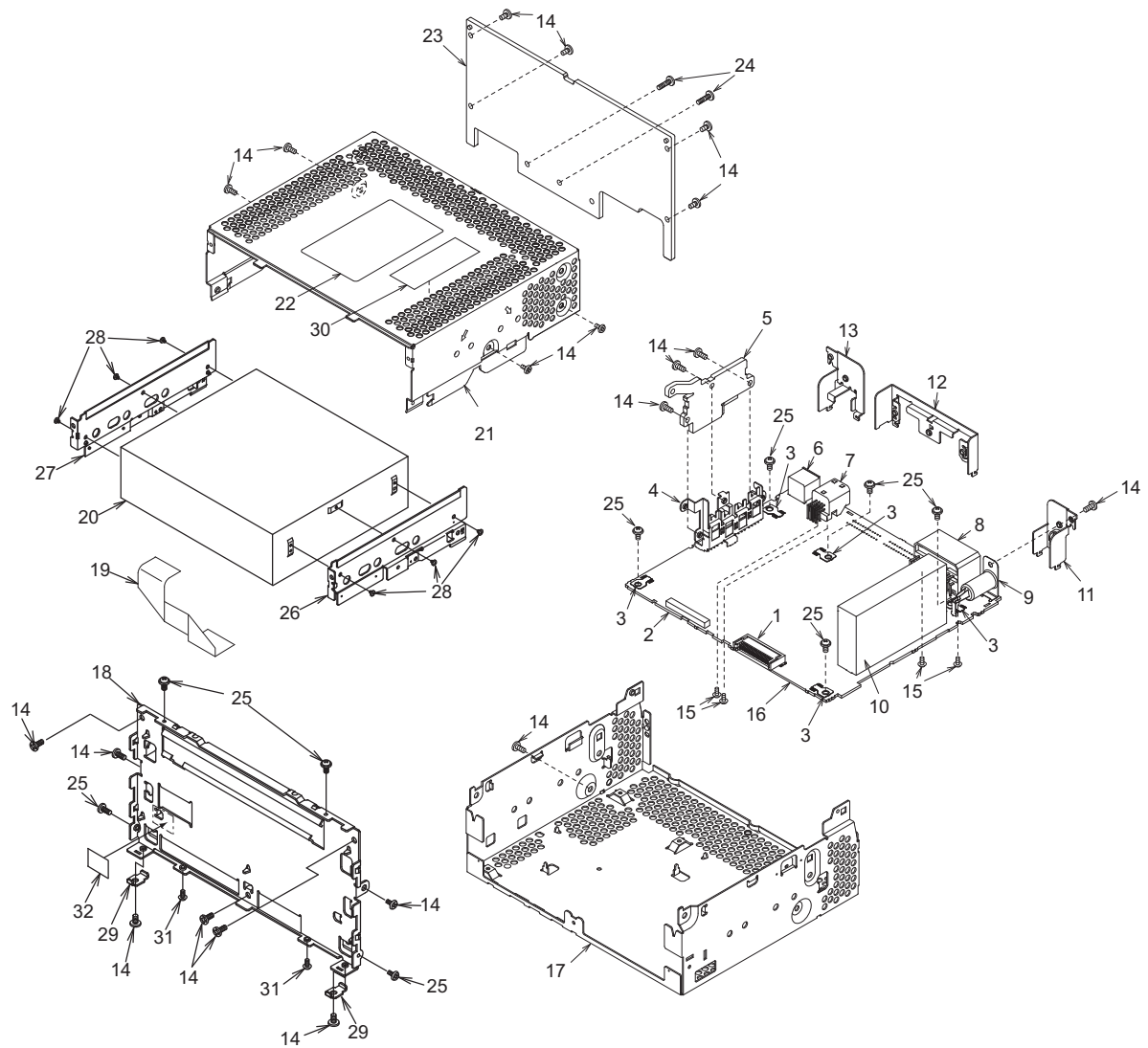
※ Some parts depend on each model. The model name is specified in the description.

PS-3180D-A/B : PS-3180D-A.PS3180D-B , PS-3180D-C/D : PS-3180D-C.PS-3180D-D
PS-3180D-A/C : PS-3180D-A.PS3181D-C , PS-3180D-B/D : PS-3180D-B.PS-3180D-D

NO.	PART NO.	DESCRIPTION	Q'TY
1	940-8229-02	ES-ASSY (PS-3180D-A/C)	1
	940-8229-03	ES-ASSY (PS-3180D-B/D)	1
2	345-5782-11	RUBBER SW (C)	1
3	345-5783-00	RUBBER SW (L)	1
4	345-6227-00	RUBBER SW (R)	1
5	380-5610-00	KNOB	2
6	373-1175-00	DIAL COVER	1
7	331-4550-01	LCD COVER	1
8	379-1412-80	INDICATOR (LCD) (PS-3180D-A/B)	1
	379-1429-50	INDICATOR (LCD) (PS-3180D-C/D)	1

NO.	PART NO.	DESCRIPTION	Q'TY
9	335-8274-00	COLOR FILTER	1
10	335-8273-00	LCD HOLDER	1
11	016-0018-17	VR W/SHAFT	2
12	074-3013-74	SOCKET (24P)	1
13	017-0420-43	PILOT LAMP (14V 40mA RED)	7
14	-----	Switch PWB	1
15	001-7094-91	LED(VFR1112H-TR)	18
16	716-0778-51	WAVE SCREW (2x6)	11
17	345-6272-00	PROTECTOR	1

Main section



Note) The part number of SETPLATE is different in each model.

NO.	PART NO.	DESCRIPTION	Q'TY	NO.	PART NO.	DESCRIPTION	Q'TY
1	076-3011-74	PLUG (24P)	1	18	309-0836-12	ES PLATE	1
2	074-1237-69	OUTLET SOCKET	1	19	816-4055-50	FLAT WIRE (CD)	1
3	073-0762-90	TERMINAL	5	20	929-0420-80	CD-MECH (6CD)	1
4	331-4126-00	TR HOLDER	1	21	310-1826-60	UPPER CASE	1
5	313-1966-00	SUB HEAT SINK	1	22	286-6224-50 286-6224-51 276-0588-05 276-0588-06	SETPLATE (PS-3180D-A) SETPLATE (PS-3180D-B) SETPLATE (PS-3180D-C) SETPLATE (PS-3180D-D)	1 1 1 1
6	074-1194-00	SOCKET (13P Ce-NET)	1	23	313-1962-00	HEAT SINK	1
7	074-1302-08	SOCKET (8P)	1	24	714-2610-89	MACHINE SCREW (M2.6 x 10)	2
8	074-4007-20	SOCKET (20P)	1	25	716-0878-50	IT SCREW (M2.6 x 5)	9
9	092-0702-50	ANT-RECEPT	1	26	331-4092-10	MECH BRKT (R)	1
10	941-0221-70	TUNER PACK	1	27	331-4091-10	MECH BRKT (L)	1
11	331-4549-00	ANT HOLDER	1	28	716-3552-00	SP-SCREW	6
12	331-4548-00	IC HOLDER	1	29	331-4193-20	SU-PLATE	2
13	331-4547-00	SOCKET HOLDER	1	30	285-1960-00	GUIDE LABEL	1
14	714-2606-8B	MACHINE SCREW (M2.6 x 6)	20	31	780-2603-06	IT SCREW (M2.6x3)	2
15	778-3006-00	TAP SCREW (3x6)	4	32	347-8651-00	PROTECTOR	1
16	-----	Main PWB	1				
17	311-1919-70	LOWER CASE	1				

ELECTRICAL PARTS LIST

Main PWB section (B1)

Note) PS-3180D-A/B: PS-3180D-A, PS-3180D-B . PS-3180D-C/D: PS-3180D-C, PS-3180D-D.

REF No.	PART No.	DESCRIPTION	REF No.	PART No.	DESCRIPTION	REF No.	PART No.	DESCRIPTION
ANT101	092-0702-50	ANT-RECEPT	C402	043-0570-90	16V 2.2uF K	IC121	051-6212-18	LC72191JM-UC
BL101	941-0221-70	AM/FM TUNER	C403	168-5632-78	16V 0.056uF	IC241	051-3367-90	NJU7780U1-33-TE2
C102	168-2232-55	0.022uF K	C404	043-0570-90	16V 2.2uF K	IC272	051-3334-00	NJM2396F09
C103	168-2232-55	0.022uF K	C405	188-1063-38	16V 10uF	IC351	051-3034-90	NJM4558V
C104	188-1073-28	10V 100uF	C406	188-1073-28	10V 100uF	IC391	051-2040-00	TA8276H
C105	168-1042-78	16V 0.1uF	C407	168-1042-78	16V 0.1uF	IC401	051-5046-90	CL7639V20
C106	168-1042-78	16V 0.1uF	C408	166-3911-50	390pF CH	IC501	052-3220-02	M30624MHP-E63GP
C107	188-1073-28	10V 100uF	C409	043-0570-90	16V 2.2uF K	IC502	051-0869-58	NJM2103M
C108	168-1042-78	16V 0.1uF	C410	168-5632-78	16V 0.056uF	IC503	051-9402-68	BR93L56F-W
C109	168-2232-55	0.022uF K	C411	043-0570-90	16V 2.2uF K	IC504	051-6600-58	HA12187FP
C111	168-2232-55	0.022uF K	C412	168-1042-78	16V 0.1uF	IC741	051-3369-00	NJM2388F84
C112	168-4745-79	0.47uF Z	C417	178-4742-78	0.47uF	J241	074-1237-69	19PIN
C113	168-8232-78	0.082uF K	C418	168-4722-55	4700pF K	J701	074-1194-00	13P CE-NET
C114	168-8232-78	0.082uF K	C419	178-4742-78	0.47uF	J721	074-1302-08	TH8P-SOCKET
C121	166-1801-50	18pF CH	C420	168-4722-55	4700pF K	J801	074-4007-20	20P
C122	188-4763-38	16V 47uF	C421	178-4742-78	0.47uF	L101	010-2003-04	30uH
C123	168-1022-55	1000pF K	C422	168-4722-55	4700pF K	L102	010-6009-76	22uH J
C124	042-1458-90	50V 1uF LN	C423	178-4742-78	0.47uF	L103	010-6009-76	22uH J
C126	166-1011-50	100pF CH	C424	168-4722-55	4700pF K	L122	010-6009-76	22uH J
C127	166-1011-50	100pF CH	C501	168-1042-78	16V 0.1uF	L501	010-6009-76	22uH J
C128	166-1011-50	100pF CH	C502	188-4763-18	6.3V 47uF	L502	010-6009-76	22uH J
C129	166-1011-50	100pF CH	C503	168-1032-55	0.01uF K	L801	010-8026-00	210uH
C130	168-2232-55	0.022uF K	C504	168-1032-55	0.01uF K	P501	076-3011-74	24P
C131	188-4763-38	16V 47uF	C505	168-1032-55	0.01uF K	Q121	191-1197-50	2SB1197K Q,R
C133	168-1042-78	16V 0.1uF	C506	168-1042-78	16V 0.1uF	Q122	191-1197-50	2SB1197K Q,R
C160	168-1042-78	16V 0.1uF	C507	188-1053-68	50V 1uF	Q123	191-1197-50	2SB1197K Q,R
C212	188-4763-38	16V 47uF	C509	168-1022-55	1000pF K	Q124	192-4116-51	2SC4116 G,L
C222	168-1042-78	16V 0.1uF	C510	168-1022-55	1000pF K	Q125	192-4116-51	2SC4116 G,L
C241	168-2232-55	0.022uF K	C511	168-1042-78	16V 0.1uF	Q241	125-0021-91	DTA114EUA
C243	188-4763-38	16V 47uF	C512	168-1032-55	0.01uF K	Q242	125-2027-91	DTC114EUA
C244	168-1042-78	16V 0.1uF	C513	189-1073-29	10V 100uF	Q243	193-0601-00	2SD601A
C245	168-1042-78	16V 0.1uF	C514	168-1042-78	16V 0.1uF	Q244	192-4116-51	2SC4116 G,L
C274	189-2273-29	10V 220uF	C515	166-1011-50	100pF CH	Q245	125-2027-91	DTC114EUA
C276	043-0328-90	0.1uF	C516	188-1063-38	16V 10uF	Q246	125-0021-91	DTA114EUA
C301	178-1052-78	1uF	C517	042-0559-00	5.5V 0.1F	Q247	125-2027-91	DTC114EUA
C302	178-1052-78	1uF	C722	168-1042-78	16V 0.1uF	Q248	198-3018-00	2SK3018
C305	178-1052-78	1uF	C731	172-1041-15	0.1uF	Q249	198-3018-00	2SK3018
C306	178-1052-78	1uF	C732	188-1053-68	50V 1uF	Q391	125-2027-93	DTC144EUA
C309	168-1232-55	0.012uF K	C741	043-0328-90	0.1uF	Q502	190-2071-00	2SA2071 T100
C310	168-1232-55	0.012uF K	C744	188-1073-28	10V 100uF	Q503	192-4116-51	2SC4116 G,L
C311	188-2253-68	50V 2.2uF	C761	188-1063-38	16V 10uF	Q504	192-4116-51	2SC4116 G,L
C312	188-2253-68	50V 2.2uF	C762	188-1063-38	16V 10uF	Q505	192-4116-51	2SC4116 G,L
C313	188-2253-68	50V 2.2uF	C771	188-1073-28	10V 100uF	Q506	193-2118-50	2SD2118F5 R,S
C314	188-2253-68	50V 2.2uF	C772	188-1063-38	16V 10uF	Q701	192-4116-51	2SC4116 G,L
C318	168-1522-55	1500pF K	C791	188-4756-58	35V 4.7uF	Q711	190-2071-00	2SA2071 T100
C319	168-1522-55	1500pF K	C792	168-1042-78	16V 0.1uF	Q712	192-4116-51	2SC4116 G,L
C334	166-4711-50	470pF CH	C811	172-1041-15	0.1uF	Q761	192-5810-00	2SC5810 TE12L
C335	166-4711-50	470pF CH	C821	188-1063-38	16V 10uF	Q762	125-0021-91	DTA114EUA
C346	188-1073-28	10V 100uF	CCT501	050-0140-54	1/32W 1k ohm x4J	Q763	125-2027-91	DTC114EUA
C352	168-1042-78	16V 0.1uF	CCT504	050-0140-54	1/32W 1k ohm x4J	Q771	192-5886-00	2SC5886
C353	042-1562-65	10V 220uF	CCT505	050-0140-54	1/32W 1k ohm x4J	Q775	192-4116-51	2SC4116 G,L
C354	166-2201-50	22pF CH	D391	001-0580-90	1SS352	Q776	125-0021-91	DTA114EUA
C355	166-2201-50	22pF CH	D505	001-0580-90	1SS352	Q777	125-2027-91	DTC114EUA
C356	166-1007-50	10pF CH	D506	001-2403-90	M1F60	Q791	192-4116-51	2SC4116 G,L
C357	166-1007-50	10pF CH	D507	001-4301-25	HZU4.7B1	Q792	192-4116-51	2SC4116 G,L
C358	188-1063-38	16V 10uF	D508	001-0466-90	S5688B	Q793	192-4116-51	2SC4116 G,L
C359	188-1063-38	16V 10uF	D509	001-0504-36	HZS7 A1L	Q821	190-2071-00	2SA2071 T100
C360	188-1063-38	16V 10uF	D701	001-0424-31	MA4180	Q822	192-4116-51	2SC4116 G,L
C361	188-1063-38	16V 10uF	D702	001-0424-31	MA4180	R101	119-0000-05	1/10W 0 ohm JW
C391	168-1042-78	16V 0.1uF	D703	001-0424-31	MA4180	R102	119-0000-05	1/10W 0 ohm JW
C392	168-1042-78	16V 0.1uF	D711	001-0466-90	S5688B	R103	119-1041-15	1/10W 100k ohm
C393	168-1042-78	16V 0.1uF	D712	001-0466-90	S5688B	R104	119-2221-15	1/10W 2.2k ohm
C394	168-1042-78	16V 0.1uF	D731	001-0466-90	S5688B	R105	119-6811-15	1/10W 680 ohm
C395	168-1032-55	0.01uF K	D761	001-0504-39	HZS7 B2L (PS-3180D-A/B)	R106	119-2221-15	1/10W 2.2k ohm
C396	163-1053-65	50V 1uF	D761	001-0504-40	HZS7 B3L (PS-3180D-C/D)	R107	116-1001-15	1/4W 10 ohm
C397	042-1624-00	16V 4700uF	D771	001-0347-44	MA4082M	R108	119-2231-15	1/10W 22k ohm
C398	163-1063-35	16V 10uF	D801	001-0592-00	RM4Z	R109	119-6821-15	1/10W 6.8k ohm
C399	163-1053-65	50V 1uF	D851	001-4301-68	HZU18B1	R111	166-8201-50	82pF CH
C400	166-2201-50	22pF CH				R122	119-3321-15	1/10W 3.3k ohm
C401	166-3911-50	390pF CH				R123	119-4721-15	1/10W 4.7k ohm

REF No.	PART No.	DESCRIPTION	REF No.	PART No.	DESCRIPTION	REF No.	PART No.	DESCRIPTION
R124	119-2221-15	1/10W 2.2k ohm	R397	119-1031-15	1/10W 10k ohm	R572	119-4731-15	1/10W 47k ohm
R125	119-1021-15	1/10W 1k ohm	R400	119-1031-15	1/10W 10k ohm	R573	119-4731-15	1/10W 47k ohm
R126	119-0000-05	1/10W 0 ohm JW	R401	119-2731-15	1/10W 27k ohm	R577	119-4731-15	1/10W 47k ohm
R127	119-5631-15	1/10W 56k ohm	R402	119-2021-15	1/10W 2k ohm	R701	116-1211-15	1/4W 120 ohm
R128	119-4731-15	1/10W 47k ohm	R403	119-2731-15	1/10W 27k ohm	R702	116-6801-15	1/4W 68 ohm
R129	119-4731-15	1/10W 47k ohm	R404	119-2021-15	1/10W 2k ohm	R703	119-2231-15	1/10W 22k ohm
R130	119-2221-15	1/10W 2.2k ohm	R405	119-0000-05	1/10W 0 ohm JW	R704	119-2231-15	1/10W 22k ohm
R131	119-1031-15	1/10W 10k ohm	R502	119-4721-15	1/10W 4.7k ohm	R711	116-2221-15	1/4W 2.2k ohm
R132	119-1031-15	1/10W 10k ohm	R503	119-4721-15	1/10W 4.7k ohm	R712	117-1031-15	1/8W 10k ohm
R133	119-2221-15	1/10W 2.2k ohm	R504	119-4721-15	1/10W 4.7k ohm	R713	116-2221-15	1/4W 2.2k ohm
R134	119-2221-15	1/10W 2.2k ohm	R510	119-4721-15	1/10W 4.7k ohm	R714	119-1031-15	1/10W 10k ohm
R135	119-1031-15	1/10W 10k ohm	R511	119-4721-15	1/10W 4.7k ohm	R715	119-3321-15	1/10W 3.3k ohm
R242	119-4731-15	1/10W 47k ohm	R512	119-4721-15	1/10W 4.7k ohm	R726	119-1021-15	1/10W 1k ohm
R243	119-1021-15	1/10W 1k ohm	R513	119-4721-15	1/10W 4.7k ohm	R731	116-5621-15	1/4W 5.6k ohm
R245	119-3331-15	1/10W 33k ohm	R514	119-1021-15	1/10W 1k ohm	R732	116-4721-15	1/4W 4.7k ohm
R246	119-4731-15	1/10W 47k ohm	R515	119-1041-15	1/10W 100k ohm	R761	032-0092-56	1/8W 22k ohm F
R248	119-1041-15	1/10W 100k ohm	R516	119-1041-15	1/10W 100k ohm	R762	032-0092-31	1/8W 150k ohm F
R250	119-3331-15	1/10W 33k ohm	R517	116-1001-15	1/4W 10 ohm	R763	032-0092-51	1/8W 1k ohm F
R253	119-4731-15	1/10W 47k ohm	R520	119-4731-15	1/10W 47k ohm	R764	119-1221-15	1/10W 1.2k ohm
R255	119-3331-15	1/10W 33k ohm	R521	119-4731-15	1/10W 47k ohm	R773	116-1021-15	1/4W 1k ohm
R256	119-0000-05	1/10W 0 ohm JW	R522	119-4731-15	1/10W 47k ohm	R779	116-1821-15	1/4W 1.8k ohm
R258	119-4731-15	1/10W 47k ohm	R527	119-4721-15	1/10W 4.7k ohm	R780	117-1821-15	1/8W 1.8k ohm
R271	119-4731-15	1/10W 47k ohm	R528	032-0140-66	1/10W 220 ohm F	R791	119-0000-05	1/10W 0 ohm JW
R276	119-0000-05	1/10W 0 ohm JW	R529	119-1031-15	1/10W 10k ohm	R792	116-4721-15	1/4W 4.7k ohm
R301	119-1021-15	1/10W 1k ohm	R530	119-1041-15	1/10W 100k ohm	R795	119-4721-15	1/10W 4.7k ohm
R302	119-1021-15	1/10W 1k ohm	R531	119-1031-15	1/10W 10k ohm	R796	116-5611-15	1/4W 560 ohm
R305	119-1021-15	1/10W 1k ohm	R532	119-4721-15	1/10W 4.7k ohm	R797	119-4721-15	1/10W 4.7k ohm
R306	119-1021-15	1/10W 1k ohm	R533	119-4721-15	1/10W 4.7k ohm	R798	119-4721-15	1/10W 4.7k ohm
R309	119-1031-15	1/10W 10k ohm	R534	119-1021-15	1/10W 1k ohm	R799	119-1831-15	1/10W 18k ohm
R310	119-1031-15	1/10W 10k ohm	R535	119-1031-15	1/10W 10k ohm	R801	119-0000-05	1/10W 0 ohm JW
R311	119-5631-15	1/10W 56k ohm	R536	119-2221-15	1/10W 2.2k ohm	R802	119-0000-05	1/10W 0 ohm JW
R312	119-5631-15	1/10W 56k ohm	R537	119-1031-15	1/10W 10k ohm	R821	116-4721-15	1/4W 4.7k ohm
R313	119-5631-15	1/10W 56k ohm	R538	119-1031-15	1/10W 10k ohm	R822	119-3321-15	1/10W 3.3k ohm
R314	119-5631-15	1/10W 56k ohm	R539	119-1031-15	1/10W 10k ohm	R823	119-1031-15	1/10W 10k ohm
R323	119-0000-05	1/10W 0 ohm JW	R540	119-4731-15	1/10W 47k ohm	R824	116-2221-15	1/4W 2.2k ohm
R324	119-0000-05	1/10W 0 ohm JW	R541	119-5621-15	1/10W 5.6k ohm	R825	116-2221-15	1/4W 2.2k ohm
R325	119-0000-05	1/10W 0 ohm JW	R542	119-2231-15	1/10W 22k ohm	R826	119-8221-15	1/10W 8.2k ohm
R326	119-0000-05	1/10W 0 ohm JW	R544	119-4731-15	1/10W 47k ohm	R902	119-0000-05	1/10W 0 ohm JW
R351	119-8211-15	1/10W 820 ohm	R545	119-6831-15	1/10W 68k ohm	R906	119-0000-05	1/10W 0 ohm JW
R352	119-1021-15	1/10W 1k ohm	R546	119-1021-15	1/10W 1k ohm	SUP101	060-0122-20	DSP-141N-S00B
R353	032-0140-50	1/10W 10k ohm F	R547	119-1021-15	1/10W 1k ohm	TC121	004-1580-10	30pF GRN
R354	032-0140-50	1/10W 10k ohm F	R548	119-1031-15	1/10W 10k ohm	TH711	002-0318-21	THERMISTOR
R355	032-0140-50	1/10W 10k ohm F	R549	119-3341-15	1/10W 330k ohm	TM101	073-0762-90	TERMINAL
R356	032-0140-50	1/10W 10k ohm F	R550	032-0140-22	1/10W 68k ohm F	TM501	073-0762-90	TERMINAL
R357	032-0140-50	1/10W 10k ohm F	R551	032-0140-00	1/10W 56k ohm F	TM502	073-0762-90	TERMINAL
R358	032-0140-50	1/10W 10k ohm F	R552	117-6821-15	1/8W 6.8k ohm	TM801	073-0762-90	TERMINAL
R359	032-0140-50	1/10W 10k ohm F	R553	119-4731-15	1/10W 47k ohm	TM802	073-0762-90	TERMINAL
R360	032-0140-50	1/10W 10k ohm F	R554	119-4731-15	1/10W 47k ohm	X121	061-1066-00	7.2MHz
R391	119-5631-15	1/10W 56k ohm	R555	119-5621-15	1/10W 5.6k ohm	X501	060-1533-90	CSTCE10M0G52-RO
R392	119-1221-15	1/10W 1.2k ohm	R556	119-1021-15	1/10W 1k ohm	PWB	039-3295-00	PWB(WITHOUT COMPONENT)
R393	119-2221-15	1/10W 2.2k ohm	R557	119-4731-15	1/10W 47k ohm			
R394	119-2221-15	1/10W 2.2k ohm	R558	119-1031-15	1/10W 10k ohm			
R395	119-2221-15	1/10W 2.2k ohm	R567	119-4731-15	1/10W 47k ohm			
R396	119-2221-15	1/10W 2.2k ohm	R570	119-4731-15	1/10W 47k ohm			

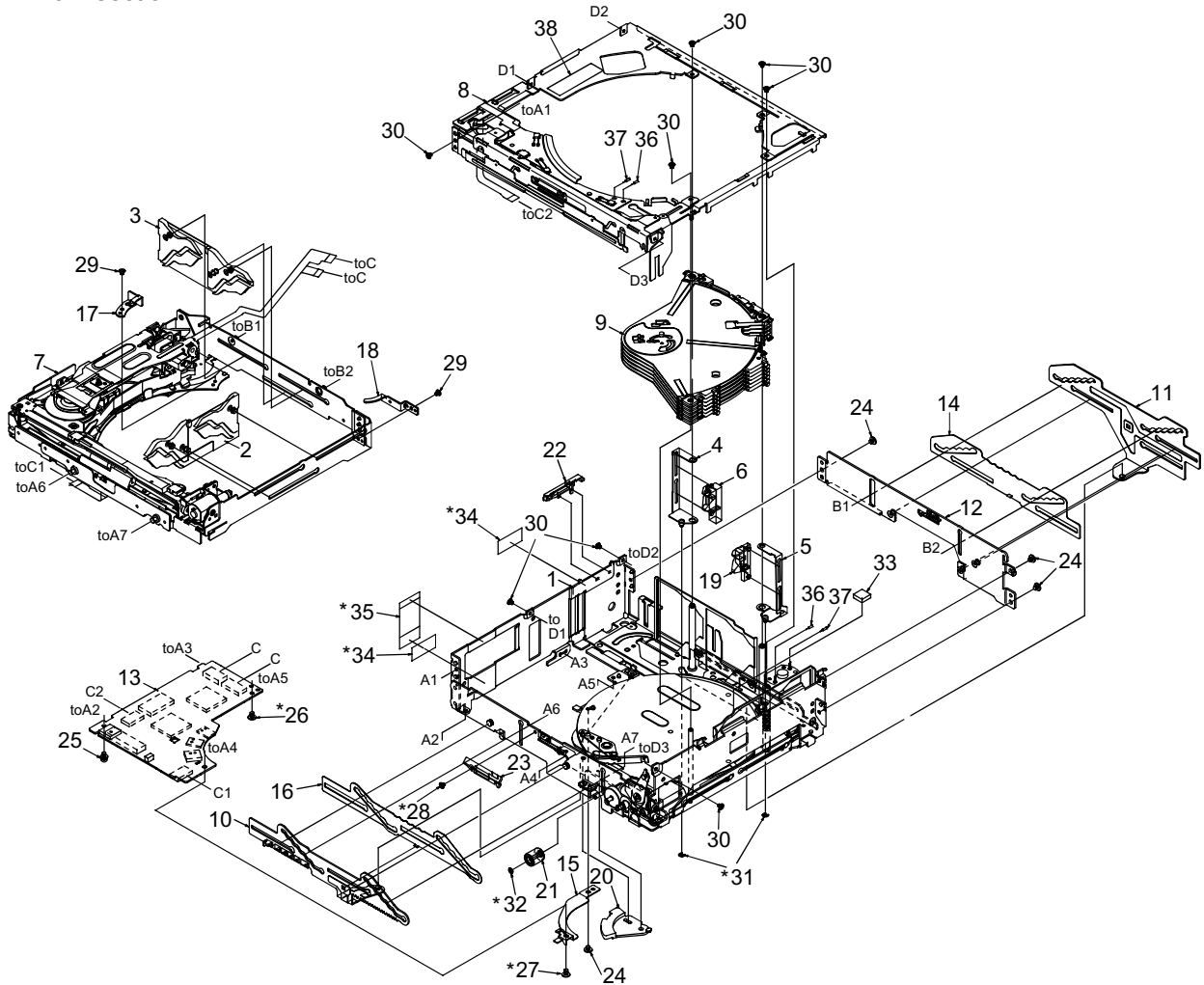
Switch PWB section (B2)

Note) PS-3180D-A/B : PS-3180D-A, PS-3180D-B . PS-3180D-C/D : PS-3180D-C, PS-3180D-D.

REF No.	PART No.	DESCRIPTION	REF No.	PART No.	DESCRIPTION	REF No.	PART No.	DESCRIPTION
C901	168-1042-78	16V 0.1uF	R908	119-0000-05	1/10W 0 ohm JW	R933	119-3011-15	1/10W 300 ohm (PS-3180D-C/D)
C902	168-1042-78	16V 0.1uF	R909	119-0000-05	1/10W 0 ohm JW	R934	119-2211-15	1/10W 220 ohm (PS-3180D-A/B)
C903	168-1042-78	16V 0.1uF	R910	119-0000-05	1/10W 0 ohm JW	R934	119-2711-15	1/10W 270 ohm (PS-3180D-C/D)
C904	168-1042-78	16V 0.1uF	R914	119-0000-05	1/10W 0 ohm JW	R935	119-2211-15	1/10W 220 ohm (PS-3180D-A/B)
C905	168-1042-78	16V 0.1uF	R917	119-0000-05	1/10W 0 ohm JW	R935	119-2711-15	1/10W 270 ohm (PS-3180D-C/D)
C906	178-1052-78	1uF	R918	119-4341-15	1/10W 430k ohm	R936	119-2411-15	1/10W 240 ohm (PS-3180D-A/B)
D901	001-0580-90	1SS352	R919	119-1021-15	1/10W 1k ohm	R936	119-3011-15	1/10W 300 ohm (PS-3180D-C/D)
D902	001-0580-90	1SS352	R920	119-1021-15	1/10W 1k ohm	R937	119-2211-15	1/10W 220 ohm (PS-3180D-A/B)
D903	001-0580-90	1SS352	R921	119-1841-15	1/10W 180k ohm	R937	119-2711-15	1/10W 270 ohm (PS-3180D-C/D)
D904	001-0580-90	1SS352	R922	119-1841-15	1/10W 180k ohm	R938	119-2211-15	1/10W 220 ohm (PS-3180D-A/B)
D905	001-7094-91	VFR1112H-TR	R923	119-1841-15	1/10W 180k ohm	R938	119-2711-15	1/10W 270 ohm (PS-3180D-C/D)
D906	001-7094-91	VFR1112H-TR	R924	119-1841-15	1/10W 180k ohm	R939	119-2411-15	1/10W 240 ohm (PS-3180D-A/B)
D907	001-7094-91	VFR1112H-TR	R925	119-2211-15	1/10W 220 ohm (PS-3180D-A/B)	R939	119-3011-15	1/10W 300 ohm (PS-3180D-C/D)
D908	001-7094-91	VFR1112H-TR	R925	119-2711-15	1/10W 270 ohm (PS-3180D-C/D)	R941	119-2211-15	1/10W 220 ohm (PS-3180D-A/B)
D909	001-7094-91	VFR1112H-TR	R926	119-2211-15	1/10W 220 ohm (PS-3180D-A/B)	R941	119-2711-15	1/10W 270 ohm (PS-3180D-C/D)
D910	001-7094-91	VFR1112H-TR	R926	119-2711-15	1/10W 270 ohm (PS-3180D-C/D)	R942	119-2211-15	1/10W 220 ohm (PS-3180D-A/B)
D911	001-7094-91	VFR1112H-TR	R927	119-2411-15	1/10W 240 ohm (PS-3180D-A/B)	R942	119-2711-15	1/10W 270 ohm (PS-3180D-C/D)
D912	001-7094-91	VFR1112H-TR	R927	119-3011-15	1/10W 300 ohm (PS-3180D-A/B)	R943	119-2411-15	1/10W 240 ohm (PS-3180D-A/B)
D913	001-7094-91	VFR1112H-TR	R928	119-2211-15	1/10W 220 ohm (PS-3180D-A/B)	R943	119-3011-15	1/10W 300 ohm (PS-3180D-C/D)
D914	001-0580-90	1SS352	R928	119-2711-15	1/10W 270 ohm (PS-3180D-C/D)	TH901	002-0315-00	TN10-3U153JT
D915	001-7094-91	VFR1112H-TR	R929	119-2211-15	1/10W 220 ohm (PS-3180D-A/B)	VR901	016-0018-17	VR W/SHAFT
D916	001-7094-91	VFR1112H-TR	R929	119-2711-15	1/10W 270 ohm (PS-3180D-C/D)	VR902	016-0018-17	VR W/SHAFT
D917	001-7094-91	VFR1112H-TR	R930	119-2411-15	1/10W 240 ohm (PS-3180D-A/B)	VR903	012-6004-63	470k ohm B VR
D918	001-7094-91	VFR1112H-TR	R930	119-3011-15	1/10W 300 ohm (PS-3180D-C/D)	PWB	039-3292-00	PWB(WITHOUT COMPONENT)
D919	001-7094-91	VFR1112H-TR	R931	119-2211-15	1/10W 220 ohm (PS-3180D-A/B)			
D920	001-7094-91	VFR1112H-TR	R931	119-2711-15	1/10W 270 ohm (PS-3180D-C/D)			
D921	001-7094-91	VFR1112H-TR	R932	119-2211-15	1/10W 220 ohm (PS-3180D-A/B)			
D922	001-7094-91	VFR1112H-TR	R932	119-2711-15	1/10W 270 ohm (PS-3180D-C/D)			
D923	001-7094-91	VFR1112H-TR	R933	119-2411-15	1/10W 240 ohm (PS-3180D-A/B)			
IC901	051-6084-00	NJU6625FG1-03						
J901	074-3013-74	24P						
L901	010-3406-66	22uH J						
LCD901	379-1412-80	INDICATOR (LCD) (PS-3180D-A/B)						
LCD901	379-1429-50	INDICATOR (LCD) (PS-3180D-C/D)						
PL901	017-0420-43	14V 40mA RED						
PL902	017-0420-43	14V 40mA RED						
PL903	017-0420-43	14V 40mA RED						
PL904	017-0420-43	14V 40mA RED						
PL905	017-0420-43	14V 40mA RED						
PL907	017-0420-43	14V 40mA RED						
PL908	017-0420-43	14V 40mA RED						
R901	119-0000-05	1/10W 0 ohm JW						
R902	119-0000-05	1/10W 0 ohm JW						
R907	119-0000-05	1/10W 0 ohm JW						

EXPLODED VIEW/PARTS LIST

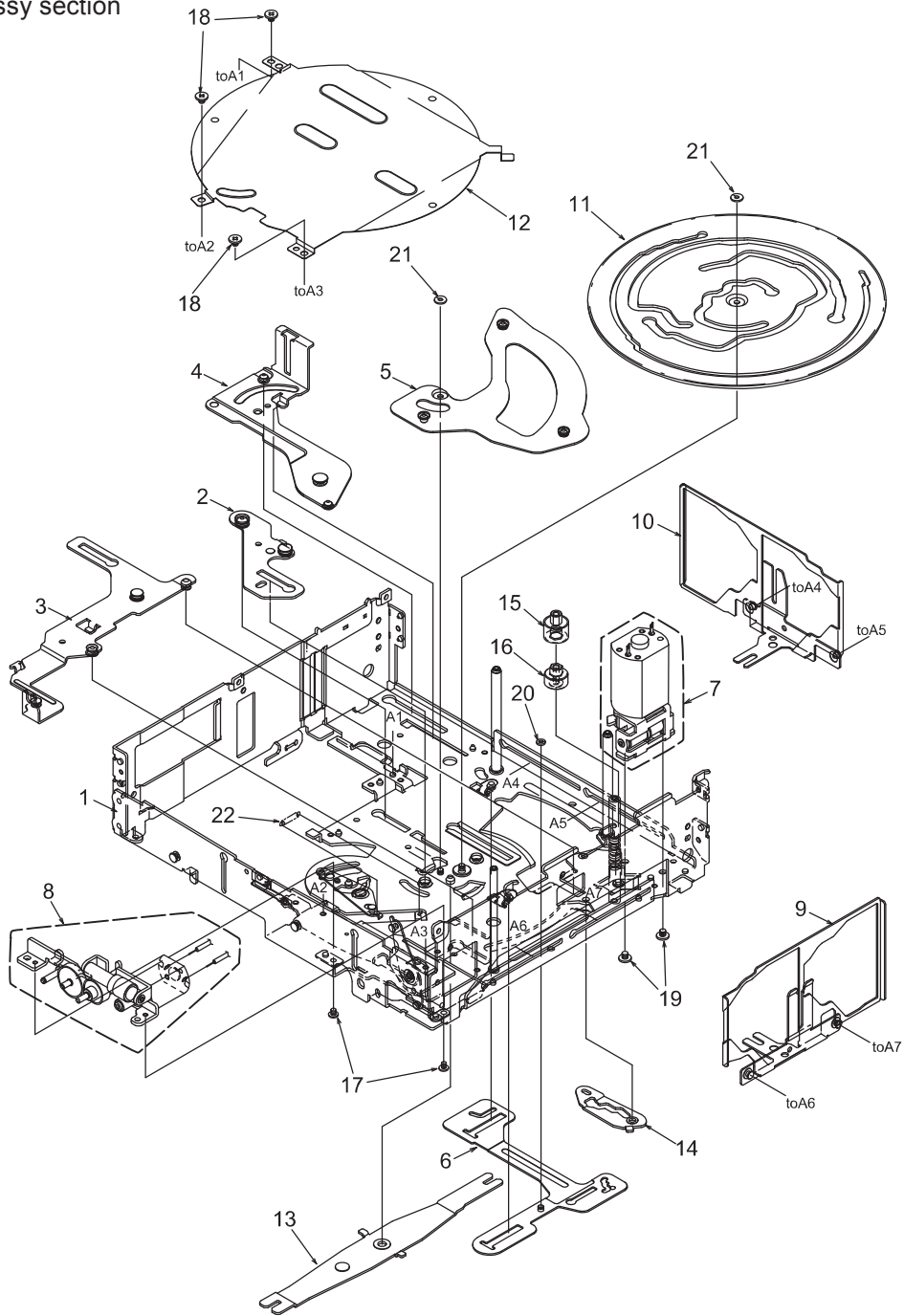
Main section



* Do not reuse the following parts.
(No.26,27,28,31,32,34,35)

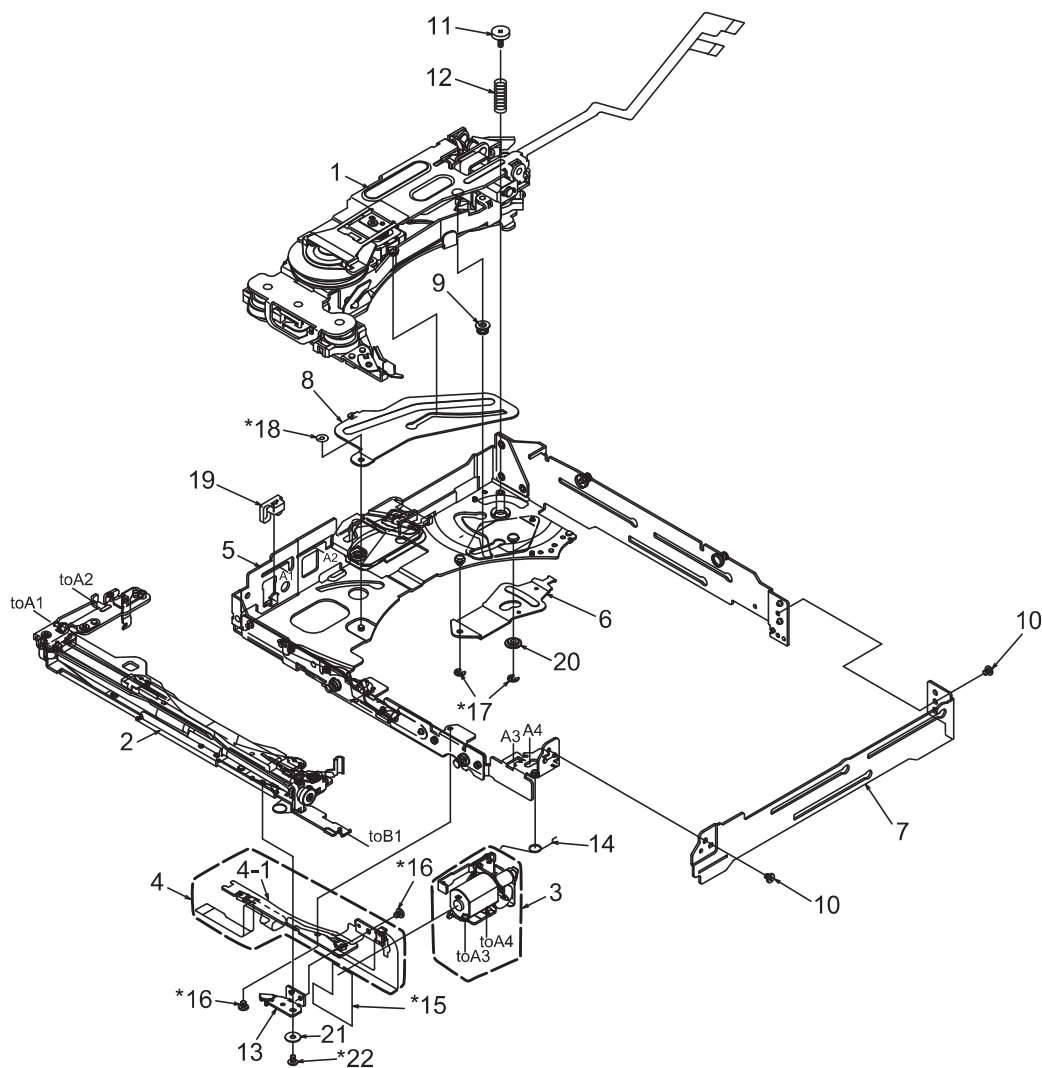
NO.	PART NO.	DESCRIPTION	Q'TY	NO.	PART NO.	DESCRIPTION	Q'TY
1	-----	LOWER UNIT ASSY	1	20	621-1812-20	SW LINK	1
2	HBS-617-100	KUSABI-ASSY-S	1	21	621-1765-20	UD-GEAR-D	1
3	HBS-618-100	KUSABI-ASSY-R	1	22	621-1715-20	FPC-STOPPER	1
4	966-1846-20	DS-SP-ASSY L	1	23	621-1736-20	UD-GEAR-B	1
5	966-1847-21	DS-SP ASSY R	1	24	716-1850-01	SCREW(M2.0x2)	4
6	966-0667-21	DISC STP-ASSY L	1	25	716-3598-00	SCREW(M2.0x4)	1
7	966-1844-21	DRIVE-CH UNIT	1	26	716-3599-00	SCREW(M2.0x2 sealock)	1
8	966-1840-22	UPPER UNIT ASSY	1	27	716-3600-00	SCREW(M2.0x3 sealock)	1
9	HBS-602-100	DISCHOLDER UNIT	1	28	716-3601-00	SCREW(M1.7x2 sealock)	1
10	966-1771-21	SLIDE-P-ASSY	1	29	716-3450-00	SCREW(M1.7x2.0)	2
11	966-1814-21	SLIDE-P-ASSY-R	1	30	716-3451-01	SCREW(M1.7x2.5)	8
12	966-1874-20	REAR-P-ASSY R	1	31	744-0045-01	C-RING	2
13	HBS-631-100	CD PWB ASSY	1	32	746-0761-00	WASHER	1
14	620-1662-21	GAP PLATE R	1	33	345-5824-00	RUBBER PART	1
15	620-1640-20	SW-H-PLATE	1	34	347-8230-00	PROTECT SHEET	2
16	620-1778-21	GAP PLATE F	1	35	347-8219-00	FPC-SHEET N	1
17	620-1685-21	DS-PLATE L	1	36	800-4921-60	VINYL-COAT-WIRE	1
18	620-1686-20	DS-PLATE R	1	37	802-4921-60	VINYL-COAT-WIRE	1
19	621-1815-20	DISC STOPPER R	1	38	293-8575-00	MECH LABEL	1

Lower unit assy section



NO.	PART NO.	DESCRIPTION	Q'TY	NO.	PART NO.	DESCRIPTION	Q'TY
1	966-1834-24	LOWER-C-ASSY	1	12	620-1624-24	GEAR COVER	1
2	966-0658-22	DH-SP-ASSY	1	13	620-1848-21	UD LINK	1
3	966-1836-20	TATSU-P-ASSY	1	14	620-1847-91	DS-SHIFT LINK	1
4	966-1832-20	D-SHT PL-B-ASSY	1	15	621-1811-21	M-GEAR B	1
5	966-0659-22	DH-SP-ASSY B	1	16	621-0733-20	M-GEAR C	1
6	966-1835-92	DS-SP-ASSY	1	17	716-3451-01	SCREW(M1.7x2.5)	2
7	HBS-622-100	M-MTR SUB ASSY	1	18	716-1850-01	SCREW(M2.0x2.0)	3
8	HBS-616-100	UD-MOTOR-ASSY	1	19	716-1851-03	SCREW(M2.0x3.0)	2
9	966-1872-20	INITIAL ASSY S	1	20	746-0870-00	WASHER	1
10	966-1873-20	INITIAL ASSY R	1	21	746-0768-00	WASHER	2
11	620-1623-24	CAM GEAR	1	22	750-6756-21	SW-L-SPRING	1

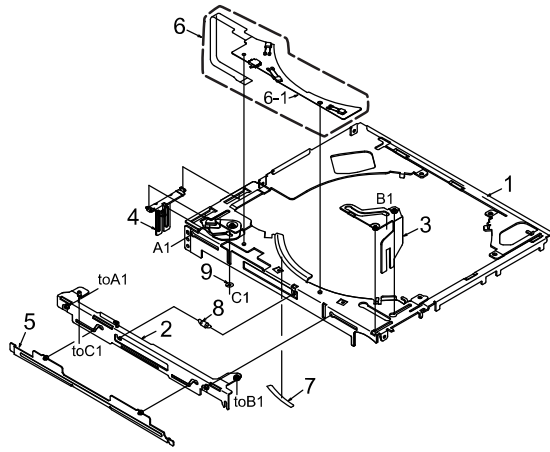
Drive-CH unit section



* Do not reuse the following parts.
(No.15,16,17,18,22)

NO.	PART NO.	DESCRIPTION	Q'TY	NO.	PART NO.	DESCRIPTION	Q'TY
1	HBS-620-100	DRIVE UNIT	1	12	750-6852-20	DRIVE SPRING A	1
2	HBS-612-100	LOADING-U-ASSY	1	13	620-1831-21	S-PWB PLATE	1
3	HBS-615-100	LO-MOTOR-S-ASSY	1	14	750-6754-20	LO-ES-SPRING B	1
4	HBS-614-100	L-SEN-FPC-ASSY	1	15	345-5424-01	SEN-FPC GUIDE	1
4-1	-----	SENSOR-L-FPC	1	16	716-3601-00	SCREW(M1.7x2 sealock)	2
5	966-1828-22	DRIVE-CH A-ASSY	1	17	743-1500-1B	E-RING	2
6	620-1838-21	D-SHIFT LINK A	1	18	746-0870-00	WASHER	1
7	620-1837-20	DRIVE CHASSIS B	1	19	621-1807-00	RUBBER PART	1
8	620-1836-20	DR-SUPPORT-PL	1	20	622-1850-20	D-SHIFT ROLLERE	1
9	622-1743-21	D-SHIFT ROLLERB	1	21	347-8392-00	FPC WASHER	1
10	716-3450-00	SCREW(M1.7x2)	2	22	716-3451-02	SCREW(M1.7x2.5 sealock)	1
11	716-3603-00	SCREW(M1.7x5)	1				

Upper unit assy section



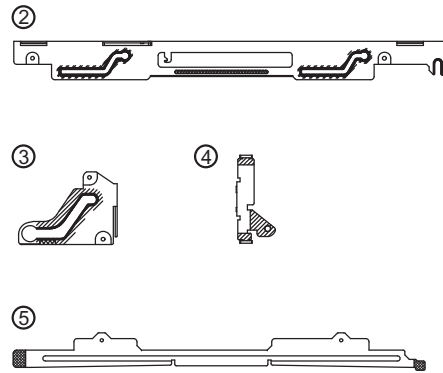
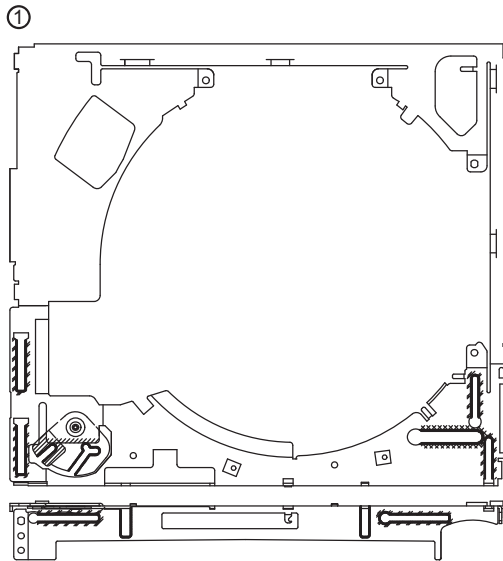
* Do not reuse the following parts.
(No.6,7,9)

NO.	PART NO.	DESCRIPTION	QTY
1	966-1823-21	UPPER-CHA-ASSY	1
2	966-1824-20	LO-SHIFT A ASSY	1
3	966-1791-20	LO-SHIFT B ASSY	1
4	966-1825-20	LO-SHIFT C ASSY	1
5	966-1826-20	SHUTTER ASSY	1
6	HBS-613-100	U-SEN-FPC-ASSY	1
6-1	-----	SENSOR-U-FPC	1
7	347-8216-00	RATTLE SHEET	1
8	750-6850-20	SHUTTER SPRING	1
9	746-0870-00	WASHER	1

[Grease Point]

* Grease : SANKOL FG-87HSR

	Put grease on the surface	
	Put grease on the reverse side	
	Put grease on the both sides	
	Put grease on the edge	



ELECTRICAL PARTS LIST

CD PWB(BM1) section

REF No.	PART No.	DESCRIPTION	REF No.	PART No.	DESCRIPTION	REF No.	PART No.	DESCRIPTION
C1	168-1052-78	16V 1uF	C13	168-1052-78	16V 1uF	C22	168-1052-78	16V 1uF
C3	168-1042-78	16V 0.1uF	C14	168-1042-78	16V 0.1uF	C25	168-4732-78	0.047uF K
C4	043-0559-90	6.3V 22uF	C15	168-1052-78	16V 1uF	C26	166-4711-50	470pF CH
C5	168-1032-55	0.01uF K	C16	043-0559-90	6.3V 22uF	C27	168-1052-78	16V 1uF
C6	042-1702-90	6.3V 100uF	C17	168-1032-55	0.01uF K	C28	168-4732-78	0.047uF K
C7	168-1052-78	16V 1uF	C18	168-1052-78	16V 1uF	C29	166-4711-50	470pF CH
C9	168-1052-78	16V 1uF	C19	043-0559-90	6.3V 22uF	C30	166-1007-50	10pF CH
C11	168-1052-78	16V 1uF	C20	168-1042-78	16V 0.1uF	C31	166-1007-50	10pF CH
C12	042-0671-01	10V 47uF TA	C21	168-1032-55	0.01uF K	C32	168-1042-78	16V 0.1uF

Note) Several different parts of the same reference number are alternative parts.
One of those parts is used in the set.

REF No.	PART No.	DESCRIPTION	REF No.	PART No.	DESCRIPTION	REF No.	PART No.	DESCRIPTION
C33	168-2222-55	2200pF K	IC3	051-6733-00	TC94A73MFG-201	R30	119-4701-15	1/10W 47 ohm
C34	168-1042-78	16V 0.1uF	IC4	051-6060-08	BD7961FM-E2	R31	119-2201-15	1/10W 22 ohm
C35	168-1042-78	16V 0.1uF	IC5	051-5452-90	BD5235G	R32	119-1051-15	1/10W 1M ohm
C36	168-1042-78	16V 0.1uF	IC8	051-9402-78	BR93L56RFVM-W	R33	119-2211-15	1/10W 220 ohm
C37	168-6822-55	6800pF K	IC9	051-6072-08	BD7931FE2	R34	119-4731-15	1/10W 47k ohm
C39	168-1042-78	16V 0.1uF	IC10	051-5833-00	GP1S093HCZ	R35	119-1051-15	1/10W 1M ohm
C40	168-3332-78	0.033uF K	IC11	051-3392-90	S-1323B15NB-N8ATFG	R36	119-4721-15	1/10W 4.7k ohm
C41	168-1042-78	16V 0.1uF				R37	119-4731-15	1/10W 47k ohm
C42	168-1042-78	16V 0.1uF	J1	074-1237-69	SOCKET 19P	R38	119-2231-15	1/10W 22k ohm
C43	168-1042-78	16V 0.1uF	J2	074-1201-65	SOCKET 15P	R39	119-1041-15	1/10W 100k ohm
C45	168-1042-78	16V 0.1uF	J3	074-1138-56	SOCKET 6P	R40	119-4721-15	1/10W 4.7k ohm
C46	168-1042-78	16V 0.1uF	J4	074-1100-61	SOCKET 11P	R41	119-4731-15	1/10W 47k ohm
C48	168-1042-78	16V 0.1uF	J5	074-1201-61	SOCKET 11P	R42	032-0140-16	1/10W 180k ohm F
C49	168-1042-78	16V 0.1uF	Q1	060-0252-01	PT4850F	R43	119-4731-15	1/10W 47k ohm
C50	168-1042-78	16V 0.1uF	Q2	125-0021-91	DTA114EUA	R44	119-2201-15	1/10W 22 ohm
C51	168-1042-78	16V 0.1uF	Q3	198-3018-00	2SK3018	R45	119-1511-15	1/10W 150 ohm
C52	168-5622-55	5600pF K	Q4	190-2060-00	2SA2060	R46	119-4721-15	1/10W 4.7k ohm
C53	168-1042-78	16V 0.1uF	Q8	190-2060-00	2SA2060	R47	032-0140-96	1/10W 120k ohm F
C54	166-6801-50	68pF CH	Q9	125-9026-90	IMF29	R48	119-1041-15	1/10W 100k ohm
C55	168-1532-55	0.015uF K	Q10	125-2027-91	DTC114EUA	R50	119-2211-15	1/10W 220 ohm
C56	168-1042-78	16V 0.1uF	Q11	125-0021-91	DTA114EUA	R51	119-0000-05	1/10W 0 ohm JW
C57	168-1032-55	0.01uF K	Q12	125-2027-91	DTC114EUA	R52	119-1041-15	1/10W 100k ohm
C58	168-1042-78	16V 0.1uF	Q13	125-9026-90	IMF29	R53	119-5621-15	1/10W 5.6k ohm
C59	168-1042-78	16V 0.1uF	R1	119-6811-15	1/10W 680 ohm	R55	119-3341-15	1/10W 330k ohm
C60	168-1522-55	1500pF K	R2	119-6811-15	1/10W 680 ohm	R56	119-4731-15	1/10W 47k ohm
C61	168-3322-55	3300pF K	R3	032-0163-91	1/2W 10 ohm	R57	119-2231-15	1/10W 22k ohm
C62	168-1032-55	0.01uF K	R4	032-0163-91	1/2W 10 ohm	R58	119-2211-15	1/10W 220 ohm
C64	168-1042-78	16V 0.1uF	R5	119-2231-15	1/10W 22k ohm	R59	119-1511-15	1/10W 150 ohm
C65	168-1032-55	0.01uF K	R6	116-1001-15	1/4W 10 ohm	R60	119-4731-15	1/10W 47k ohm
C67	168-1032-55	0.01uF K	R7	119-1021-15	1/10W 1k ohm	R61	119-1041-15	1/10W 100k ohm
C69	168-1532-55	0.015uF K	R8	116-1591-15	1/4W 1.5 ohm	R62	119-1041-15	1/10W 100k ohm
C70	166-4701-50	47pF CH	R9	119-2231-15	1/10W 22k ohm	R63	119-1041-15	1/10W 100k ohm
C71	168-1042-78	16V 0.1uF	R10	119-4711-15	1/10W 470 ohm	R64	119-1011-15	1/10W 100 ohm
C72	168-1042-78	16V 0.1uF	R11	119-2211-15	1/10W 220 ohm	R65	119-1041-15	1/10W 100k ohm
C74	166-6097-50	6pF CH	R12	119-6811-15	1/10W 680 ohm	R66	117-5611-15	1/8W 560 ohm
C75	168-1042-78	16V 0.1uF	R13	119-1011-15	1/10W 100 ohm	R67	116-3311-15	1/4W 330 ohm
C76	168-5622-55	5600pF K	R14	119-2231-15	1/10W 22k ohm	R68	116-3311-15	1/4W 330 ohm
C77	168-1032-55	0.01uF K	R15	119-8231-15	1/10W 82k ohm	R81	116-1591-15	1/4W 1.5 ohm
C101	043-0563-90	16V 47uF	R16	119-1041-15	1/10W 100k ohm	R101	119-0000-05	1/10W 0 ohm JW
CCT1	050-0145-59	1/16W 22 ohm x4	R17	119-1041-15	1/10W 100k ohm	R102	119-0000-05	1/10W 0 ohm JW
CCT2	050-0145-54	1/16W 47k ohm x4	R18	119-1041-15	1/10W 100k ohm	R103	119-0000-05	1/10W 0 ohm JW
CCT3	050-0145-54	1/16W 47k ohm x4	R19	119-1041-15	1/10W 100k ohm	R201	119-0000-05	1/10W 0 ohm JW
CCT4	050-0145-55	1/16W 10k ohm x4	R20	119-1041-15	1/10W 100k ohm	R212	119-1041-15	1/10W 100k ohm
CCT5	050-0140-55	1/32W 2.2k ohmx4J	R21	119-2221-15	1/10W 2.2k ohm	S1	013-7416-50	SW SPVL110200
D1	001-4301-14	HZU 3.0B1	R22	119-4711-15	1/10W 470 ohm	S2	013-7416-50	SW SPVL110200
D1	001-0529-14	MA8030-L	R23	119-1051-15	1/10W 1M ohm	S3	013-7412-50	SPVG21
D2	001-0367-91	1SS226	R24	119-2211-15	1/10W 220 ohm	S4	013-7415-50	SPVG110400
D3	001-4301-13	HZU 2.7B2	R25	119-2211-15	1/10W 220 ohm	X1	061-3534-90	16.92MHz
D3	001-0529-13	MA8029-H	R26	119-1041-15	1/10W 100k ohm	X3	060-1545-90	20MHz
D4	001-4301-18	HZU 3.6B1	R27	119-1051-15	1/10W 1M ohm	PWB	039-3058-20	PWB(WITHOUT COMPONENT)
D4	001-0529-18	MA8036-L	R28	119-1041-15	1/10W 100k ohm			
IC2	052-5077-01	TMP91CY22IFG	R29	119-1041-15	1/10W 100k ohm			

Sensor-L-PFC(BM2) section

REF No.	PART No.	DESCRIPTION
PT1	060-0252-01	PT14850F
PT2	060-0252-01	PT14850F
PT3	051-5833-00	GP1S093HCZ

REF No.	PART No.	DESCRIPTION
PWB	039-3003-20	PWB(WITHOUT COMPONENTS)

Sensor-U-PFC(BM3) section

REF No.	PART No.	DESCRIPTION
LED1	001-7077-00	GL4804
LED2	001-7042-00	GL4800
LED3	001-7042-00	GL4800

REF No.	PART No.	DESCRIPTION
S5	013-7417-50	ABC1122P161
PWB	039-3004-20	PWB(WITHOUT COMPONENTS)