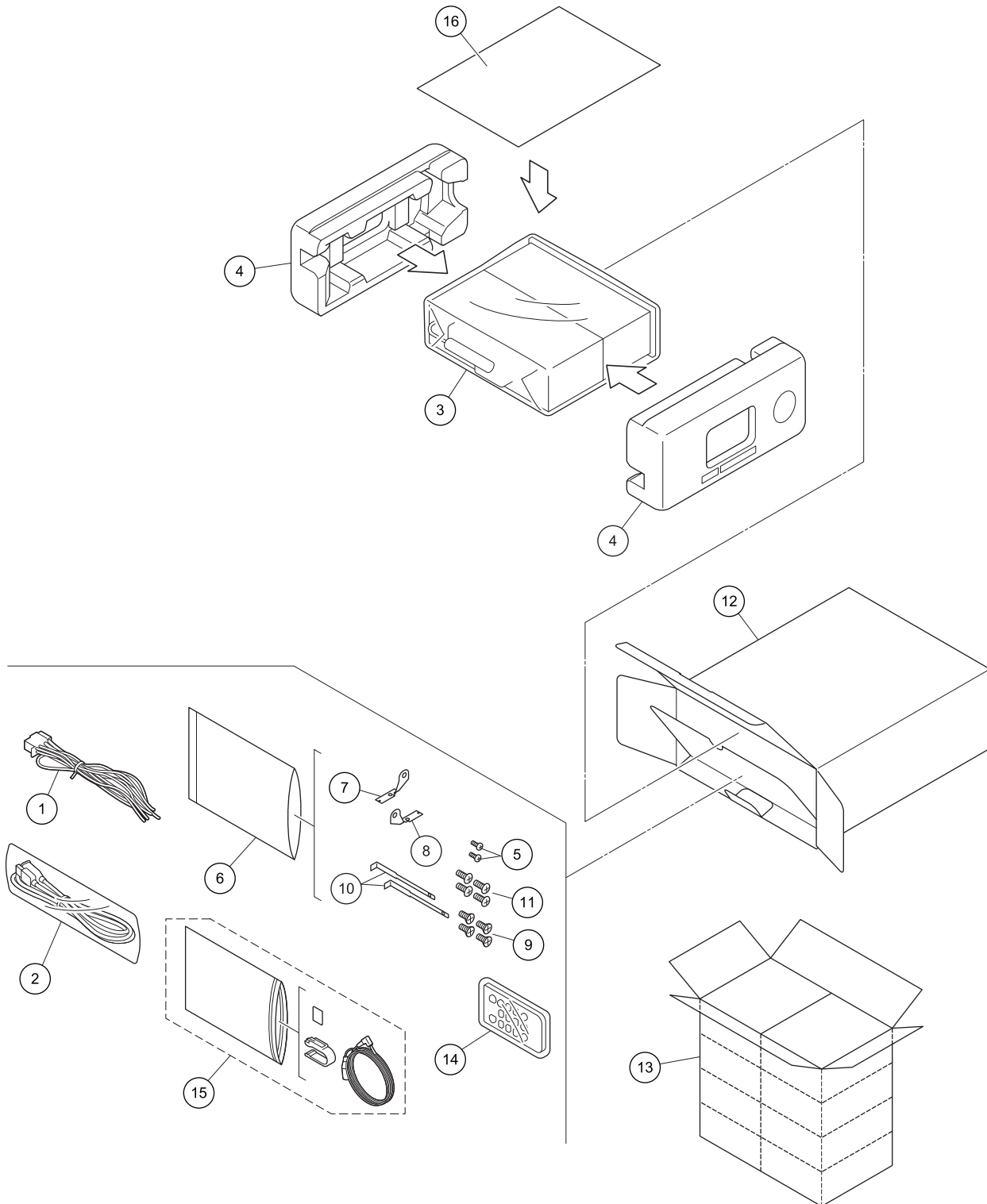


9. EXPLODED VIEWS AND PARTS LIST

NOTES : • Parts marked by "*" are generally unavailable because they are not in our Master Spare Parts List.
• The ⚠ mark found on some component parts indicates the importance of the safety factor of the part. Therefore, when replacing, be sure to use parts of identical designation.
• Screw adjacent to ∇ mark on the product are used for disassembly.
• For the applying amount of lubricants or glue, follow the instructions in this manual.
(In the case of no amount instructions, apply as you think it appropriate.)

9.1 PACKING



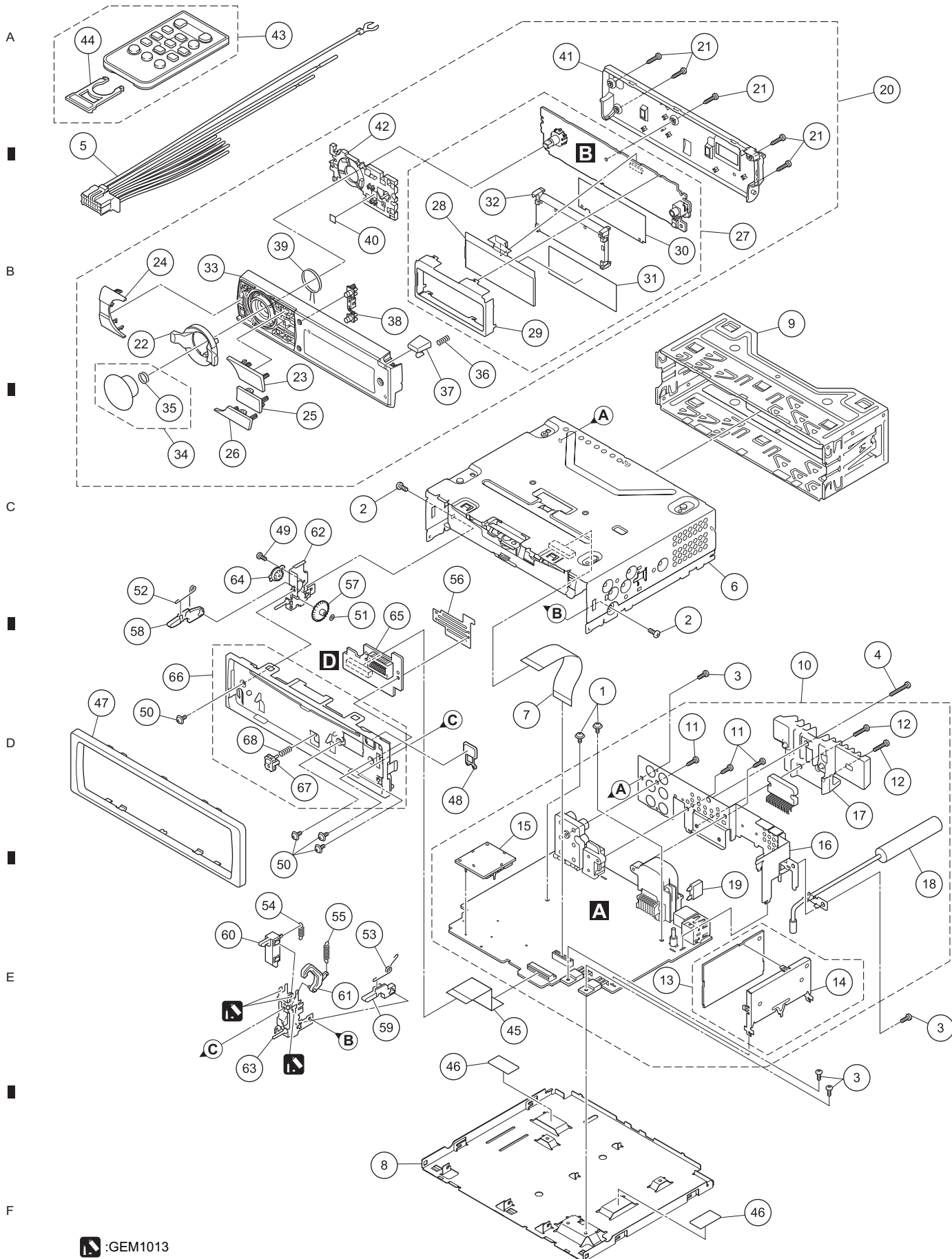
PACKING SECTION PARTS LIST

<u>Mark No.</u>	<u>Description</u>	<u>Part No.</u>	<u>Mark No.</u>	<u>Description</u>	<u>Part No.</u>
1	Cord Assy	CDP1484	10	Handle	QNC3021
2	USB Extended Cable	CDP1586			
3	Polyethylene Bag	CEG1173	11	Screw	TRZ50P080FTC
4	Protector	CHP4594	12	Unit Box	QHG3427
5	Screw	BPZ20P060FTC	13	Contain Box	QHL3427
			14	Card Remote Contorol Unit	QXE1044
6	Polyethylene Bag	CEG1160	15	Microphone Assy	YPM5003
7	Holder	CND1249			
8	Holder	CND1250	16	Owner's Manual	QRD3154
9	Screw	CRZ50P090FTC			

Owner's Manual,Installation Manual

Part No.	Language
QRD3154	English, French, Spanish(Espanol)

9.2 EXTERIOR



:GEM1013

DEH-X9500BHS/XSUC

EXTERIOR SECTION PARTS LIST

<u>Mark No.</u>	<u>Description</u>	<u>Part No.</u>	<u>Mark No.</u>	<u>Description</u>	<u>Part No.</u>
1	Screw	ASZ26P050FTC	50	Screw (M2 x 4.5)	CBA1925
2	Screw	BMZ30P040FTC			
3	Screw	BSZ26P060FTC	51	Washer	CBF1038
4	Screw	BSZ26P120FTC	52	Spring	CBH2650
5	Cord Assy	CDP1484	53	Spring	CBH2651
			54	Spring	CBH2652
6	CD Mechanism Module(S11.6)	CXK5804	55	Spring	CBH2653
7	FFC	QDE3029			
8	Case	QNB3008	56	Holder	CND1254
9	Holder	QNC3020	57	Gear	CNV5997
10	Tuner Amp Unit	QWM3584	58	Arm	CNV7400
			59	Arm	CNV7401
11	Screw	BPZ26P080FTC	60	Arm	CNV7402
12	Screw	BSZ26P120FTC			
13	WWR Core Tuner Unit	CWE2364	61	Arm	CNV7403
14	Holder	CND6449	62	Holder Unit	CXB9501
15	BT Module	CWX4317	63	Holder Unit	CXB9502
			64	Damper Unit	CXB9503
16	Holder	QNC3064	65	Panel Unit	YWM5577
17	Heat Sink	QNR3010			
18	Antenna Attached Cable	YDH5001	66	Panel Unit	YXA5858
△ 19	Fuse (10A)	YEK5001	67	Button	YAC5395
20	Detachable Grille Assy	QXA3800	68	Spring	YBH5013
21	Screw	BPZ20P100FTC			
22	Lever	QAA3030			
23	Button (DISP)	QAC3107			
24	Button (SRC)	QAC3113			
25	Button (MIX)	QAC3116			
26	Button (PHONE/BAND)	QAC3119			
27	Keyboard Unit	QWM3597			
28	STN LCD	YAW5113			
29	Holder	YNC5097			
30	Sheet	YNM5174			
31	Sheet	YNM5199			
32	Plate Unit	YXA5834			
33	Grille Unit	QXA3803			
34	Knob Unit	QXA3804			
35	Spring	YBL5010			
36	Spring	XBH7001			
37	Button (DETACH)	YAC5447			
38	Button (UP,DOWN)	YAC5448			
39	Spring	YBH5016			
40	Sheet	YNM5195			
41	Cover	YNS5657			
42	Lighting Conductor	YNV5226			
43	Card Remote Contorol Unit	QXE1044			
44	Cover	CNS7068			
45	FFC	YDE5097			
46	Sheet	YNM5198			
47	Panel	YNS5687			
48	Button (EJECT)	CAC7752			
49	Screw (M2 x 4)	CBA1649			

9.3 CD MECHANISM MODULE

A

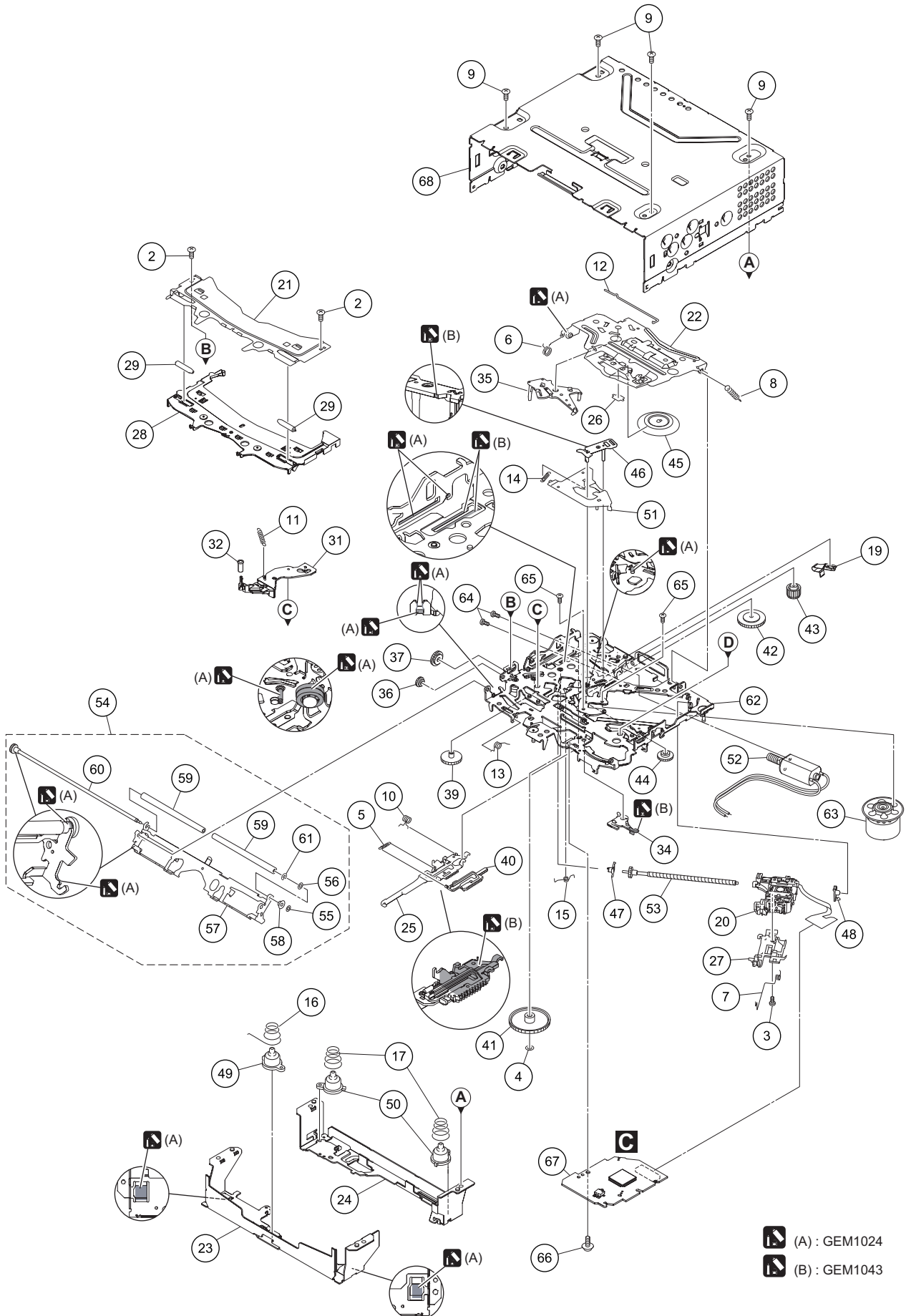
B

C

D

E

F



(A) : GEM1024
 (B) : GEM1043

5 6 7 8
CD MECHANISM MODULE SECTION PARTS LIST

<u>Mark No.</u>	<u>Description</u>	<u>Part No.</u>	<u>Mark No.</u>	<u>Description</u>	<u>Part No.</u>
1		50	Damper	CNW1198
2	Screw	BSZ20P040FTC	51	Arm	CNW1726
3	Screw(M2 x 4)	CBA1835	52	Motor Unit(M2)(LOAD/CRG)	CXC4026
4	Washer	CBF1038	53	Screw Unit	CXC8894
5	Spring	CBH3010	54	Arm Assy	CXE6232
6	Spring	CBH2855	55	Washer	CBF1037
7	Spring	CBH2856	56	Washer	CBF1038
8	Spring	CBH2860	57	Arm	CND6242
9	Screw	BSZ26P060FTC	58	Collar	CNW2444
10	Spring	CBH3011	59	Roller	CNW2500
11	Coil Spring	CBH3095	60	Gear Unit	CXE6225
12	Spring	CBH3014	61	Washer	YE15FTC
13	Spring	CBH3015	62	Chassis Unit	CXE4528
14	Spring	CBH3016	63	Motor Unit(M1)(SPDL)	CXE2273
15	Spring	CBH3017	64	Screw	JFZ20P025FTC
16	Spring	CBH3086	65	Screw	JGZ17P022FTC
17	Spring	CBH3019	66	Screw	EBA1028
18		67	CD Core Unit (S11.6STD)	CWX4023
19	Leaf Spring	CBL1824	68	Chassis	CNA3181
20	Pickup Unit(P10.6)(Service)	CXX3556			
21	Bracket	CND4553			
22	Arm	CND6406			
23	Bracket	CND6127			
24	Bracket	CND5710			
25	Lever	CND5398			
26	Sheet	CNN3678			
27	Rack	CNV8342			
28	Guide	CNW2240			
29	Roller	CNW1172			
30				
31	Arm	CNW2241			
32	Roller	CNW1175			
33				
34	Arm	CNW1177			
35	Arm	CNW1178			
36	Gear	CNW1180			
37	Gear	CNW1181			
38				
39	Gear	CNW1183			
40	Rack	CNW1184			
41	Gear	CNW1185			
42	Gear	CNW1186			
43	Gear	CNW1187			
44	Gear	CNW2287			
45	Clamper	CNW1190			
46	Arm	CNW1192			
47	Holder	CNW1193			
48	Holder	CNW1194			
49	Damper	CNW1197			

12. ELECTRICAL PARTS LIST

NOTE:

- Parts whose parts numbers are omitted are subject to being not supplied.
- The part numbers shown below indicate chip components.

Chip Resistor

RS1/OS○○○○J,RS1/○○S○○○○J

Chip Capacitor (except for CQS.....)

CKS....., CCS....., CSZS.....

- The \triangle mark found on some component parts indicates the importance of the safety factor of the part. Therefore, when replacing, be sure to use parts of identical designation.
- Meaning of the figures and others in the parentheses in the parts list.

Example) IC 301 is on the point (face A, 91 of x-axis, and 111 of y-axis) of the corresponding PC board.

IC 301 (A, 91, 111) IC NJM2068V

- The expression of the unit in this manual is shown by u instead of μ . Please do not make a mistake.

<u>Circuit Symbol and No.</u>	<u>Part No.</u>	<u>Circuit Symbol and No.</u>	<u>Part No.</u>
Unit Number : QWM3584		IC 731 (A,72,89) Flash ROM Unit	PEB055A8
Unit Name : Tuner Amp Unit		IC 741 (A,84,52) IC	MX25L4006EM2I-12G
Unit Number : QWM3597		IC 881 (A,54,93) IC	337S3959
Unit Name : Keyboard Unit		IC 901 (A,13,63) Regulator IC	BD9876EFJ
Unit Number : YWM5577		IC 931 (A,27,57) Regulator IC	S-1172B33-E6
Unit Name : Panel Unit		IC 941 (A,140,42) IC	NJM2388F84
Unit Number : CWX4023		IC 991 (A,116,110) IC	TPD1052F
Unit Name : CD Core Unit (S11.6STD)		IC 992 (A,90,81) IC	TC7MB3257FK
		Q 181 (A,92,109) Transistor	LSCR523UB
		Q 182 (A,99,110) FET	RSF014N03
		Q 183 (A,93,105) Transistor	DRC9A43E0
		Q 191 (A,109,109) Transistor	LSAR523UB
		Q 192 (A,110,104) Transistor	LTC014EEB
		Q 301 (A,11,130) Transistor	IMH23
		Q 302 (A,19,130) Transistor	IMH23
A		Q 303 (A,28,130) Transistor	IMH23
Unit Number : QWM3584		Q 321 (A,91,123) Transistor	LTC014YEB
Unit Name : Tuner Amp Unit		Q 351 (A,59,133) Transistor	LSCR523UB
		Q 352 (A,61,129) Chip Transistor	RN4983
		Q 353 (A,66,130) Transistor	LTC014EEB
		Q 471 (A,119,88) Transistor	2SB1132
		Q 472 (A,125,94) Transistor	2SD1664
		Q 473 (A,118,82) Transistor	LTC014EEB
		Q 701 (A,34,84) Transistor	LSAR523UB
		Q 771 (A,155,41) Transistor	2SD2396
		Q 772 (A,153,46) Chip Transistor	RN4983
		Q 821 (A,119,28) Transistor	LSAR523UB
		Q 822 (A,122,32) Transistor	LTC014EEB
		Q 831 (A,114,28) Transistor	2SA1577
		Q 832 (A,114,31) Transistor	LTC143EUB
		Q 841 (A,107,29) Transistor	LSAR523UB
		Q 842 (A,110,31) Transistor	LTC014EEB
		Q 881 (A,50,87) Transistor	LSAR523UB
		Q 921 (A,20,54) Transistor	2SD2153
		Q 922 (A,21,59) Chip Transistor	RN4983
		Q 931 (A,42,52) Chip Transistor	RN1903
		Q 951 (A,143,130) Chip Transistor	HN1C01FU
		Q 961 (A,93,120) Transistor	LTC014EEB
		D 181 (B,94,106) Diode	RKZ15KG(B2)
		D 182 (A,97,113) Diode	RB551VM-30
MISCELLANEOUS			
IC 151 (A,81,115) IC	PM9012A		
IC 181 (A,100,105) IC	TK11840L		
IC 201 (A,40,110) IC	AN33014UA		
IC 221 (A,14,110) IC	AN33014UA		
IC 271 (A,27,48) Regulator IC	S-1172B18-E6		
IC 281 (A,20,48) Regulator IC	S-1170B33UC-OTS		
IC 321 (A,81,142) IC	PA2030A		
IC 371 (A,62,88) IC	WM8761BGED		
IC 391 (A,136,60) Regulator IC	NJM2885DL1-05		
IC 401 (A,141,87) IC	TDA7706		
IC 531 (A,146,51) Regulator IC	S-1155B33-U5		
IC 541 (A,150,57) Regulator IC	S-1172B12-E6		
IC 561 (A,13,84) Regulator IC	BD9876EFJ		
IC 601 (A,106,65) IC	PEQ123A8		
IC 603 (A,127,46) IC	S-80827CNMC-B8M		
IC 604 (A,101,82) IC	TC7SH126FU		
IC 605 (A,97,82) L-MOS And Gate	TC7SET08FUS1		
IC 651 (A,70,68) IC	R5S726B0D216FP		
IC 701 (A,43,70) IC	M12L64164A-5TG2Y		
IC 721 (A,33,92) Regulator IC	S-1155B12-U5		

1

2

3

4

Circuit Symbol and No.Part No.Circuit Symbol and No.Part No.

D 201	(A,45,109) Diode	RB070M-30	X 601	(A,93,66) Resonator 20.000 MHz	CSS1795
			X 651	(A,85,66) Resonator 12.000 MHz	YSS5005
D 202	(B,58,119) Diode	RB050LA-30			
D 221	(A,20,109) Diode	RB070M-30	X 652	(A,77,84) Resonator 16.93 MHz	CSS1794
D 351	(A,56,129) Diode	DA2J101	S 801	(A,92,15) Switch(DSENS)	CSN1039
D 352	(A,56,131) Diode	RKZ8.2KG(B2)	P 301	(A,37,128) Poly Switch	FSMD075-24R
D 353	(A,62,132) Diode	DAN202UM	P 401	(A,152,112) Surge Absorber	IMSA-6803-01Y900
			△P471	(A,127,99) Fuse 0.75 A	CEK1380
D 401	(A,149,102) Diode	RN731VN			
D 402	(A,148,95) Diode	RN731VN	BZ601	(A,87,29) Buzzer	CPV1062
D 471	(A,121,95) Diode	RKZ16KG(B2)	VA121	(A,38,132) Varistor	VR105C5R0AAA
D 541	(B,149,50) Diode	CRG03	VA122	(A,50,133) Varistor	VR105C5R0AAA
D 542	(B,142,50) Diode	CRG03	VA123	(A,41,131) Varistor	VR105C5R0AAA
			VA124	(A,40,132) Varistor	VR105C5R0AAA
D 561	(A,12,89) Diode	RB056L-40			
D 562	(B,11,90) Diode	CRG03	VA201	(B,161,137) Varistor	EZJZ1V800AM
D 603	(A,127,50) Diode	DA2J101	VA202	(B,165,137) Varistor	EZJZ1V800AM
D 771	(A,156,46) Diode	RKZ8.2KG(B2)	VA221	(B,161,136) Varistor	EZJZ1V800AM
D 801	(B,106,22) Diode	DZ2S068C	VA222	(B,165,136) Varistor	EZJZ1V800AM
			VA801	(B,102,22) SMD Varistor	MLV0603ES024V0003N
D 802	(B,108,22) Diode	DZ2S068C			
D 803	(B,110,22) Diode	DZ2S068C	VA802	(B,113,22) SMD Varistor	MLV0603ES024V0003N
D 841	(A,82,37) Diode	DAN202UM	VA803	(B,119,22) SMD Varistor	MLV0603ES024V0003N
D 901	(A,12,68) Diode	RB056L-40	VA804	(B,117,22) SMD Varistor	MLV0603ES024V0003N
D 902	(B,8,72) Diode	1SR154-400	VA805	(B,115,22) SMD Varistor	MLV0603ES024V0003N
D 903	(B,25,54) Diode	CRG03	VA806	(B,121,22) SMD Varistor	MLV0603ES024V0003N
D 922	(B,20,56) Diode	RKZ5.6KG(B2)	VA807	(B,122,22) SMD Varistor	MLV0603ES024V0003N
D 923	(B,12,44) Diode	DA2J101	VA808	(B,120,12) SMD Varistor	MLV0603ES024V0003N
D 941	(A,126,56) Diode	DAN202UM	U 501	(A,162,77) WWR C-TUN Unit	CWE2364
D 951	(A,134,126) Diode	HZU7L(C3)	CN251	(A,48,34) Connector	CKS6346
D 952	(A,140,131) Diode	HZU7L(A1)	CN751	(A,116,38) Connector	VKN1192
D 961	(B,104,125) Diode	CRG03	CN801	(A,112,15) Connector	CKS3836
D 981	(A,135,132) Diode	1SR154-400	JA 101	(A,145,143) Connector	CKS3806
D 982	(A,135,128) Diode	1SR154-400	JA 122	(A,45,141) Jack	YKS5035
D 991	(B,95,127) Diode	CRG03	JA 201	(A,163,135) Connector	YKS5043
D 992	(B,119,141) Diode	CRG03	JA 301	(A,22,138) Pin Jack	XKB7001
L 151	(A,92,115) Inductor	LCTAW6R8J2520	JA401	(A,157,116) ANT Pigtail Cable	YDH5001
L 181	(A,104,110) Choke Coil 47 uH	CTH1388	JA981	(A,116,141) Connector	CKM1613
L 201	(A,154,125) Inductor	CTF1713			
L 202	(A,50,106) Inductor	CTH1524			
L 221	(A,154,123) Inductor	CTF1713			
L 222	(A,24,106) Inductor	CTH1524	R 101	(A,152,134)	RS1/10SR0R0J
L 251	(A,14,35) Inductor	CTF1786	R 102	(B,144,132)	RS1/10SR473J
L 252	(A,14,33) Inductor	CTF1786	R 103	(A,148,134)	RS1/16SS102J
L 371	(A,58,96) Chip Ferrite Bead	DTL1107	R 104	(A,148,132)	RS1/16SS102J
L 402	(A,142,97) Inductor	CTF1786	R 105	(A,147,132)	RS1/16SS102J
L 403	(A,139,99) Inductor	CTF1786	R 106	(A,146,132)	RS1/16SS102J
L 404	(A,149,98) Chip Coil	LCTAWR15J2520	R 107	(A,149,134)	RS1/16SS181J
L 405	(A,146,99) Chip Coil	LCTAWR27J2520	R 108	(B,148,134)	RS1/10SR223J
L 406	(A,140,101) Inductor	CTF1389	R 109	(B,148,135)	RS1/10SR223J
L 409	(A,133,95) Inductor	LCTC1R5K1608	R 110	(A,150,134)	RS1/16SS181J
L 410	(A,151,92) Inductor	CTF1786	R 121	(A,45,129)	RS1/10SR102J
L 411	(A,151,91) Inductor	CTF1786	R 122	(A,44,129)	RS1/10SR102J
L 412	(A,128,87) Chip Coil	LCTAW470J2520	R 151	(A,72,107)	RS1/16SS223J
L 414	(A,132,78) Inductor	CTF1786	R 152	(A,86,107)	RS1/16SS223J
L 415	(A,146,78) Inductor	CTF1786	R 153	(A,73,107)	RS1/16SS331J
L 561	(A,10,95) Inductor	CTH1521	R 154	(A,73,124)	RS1/16SS102J
L 651	(A,83,63) Chip Beads	VTL1126	R 155	(A,72,124)	RS1/16SS102J
L 653	(A,44,53) Chip Ferrite Bead	DTL1107	R 156	(A,73,123)	RS1/16SS102J
L 701	(A,31,78) Chip Ferrite Bead	DTL1107	R 181	(A,94,113)	RS1/16SS681J
L 731	(B,75,88) Inductor	CTF1389	R 182	(B,106,104)	RS1/10SR0R0J
L 901	(A,10,74) Inductor	CTH1521	R 183	(A,106,105)	RS1/16SS3003D
L 981	(A,114,141) Choke Coil 600 uH	CTH1432	R 184	(A,105,103)	RS1/16SS1002D
X 401	(A,152,85) Resonator 36.480 MHz	CSS1805	R 185	(A,97,108)	RS1/16SS512J

RESISTORS

1

2

3

4

5		6		7		8	
<u>Circuit Symbol and No.</u>		<u>Part No.</u>		<u>Circuit Symbol and No.</u>		<u>Part No.</u>	
R 186	(A,99,108)	RS1/16SS0R0J		R 329	(B,75,131)	RS1/10SR562J	
R 187	(B,100,107)	RS1/10SR621J		R 330	(B,70,131)	RS1/10SR103J	
R 189	(A,95,105)	RS1/16SS331J		R 331	(B,73,131)	RS1/10SR103J	A
R 190	(A,95,106)	RS1/16SS4301D		R 350	(A,95,133)	RS1/16SS103J	
R 191	(A,95,104)	RS1/16SS222J		R 351	(A,62,127)	RS1/16SS473J	
R 194	(A,110,106)	RS1/16SS102J		R 352	(A,56,133)	RS1/16SS473J	
R 195	(A,109,111)	RS1/16SS103J		R 353	(B,57,132)	RS1/10SR473J	
R 196	(A,94,104)	RS1/16SS3302D		R 354	(A,56,134)	RS1/16SS104J	
R 202	(A,55,103)	RS1/10SR681J		R 355	(A,69,129)	RS1/16SS103J	
R 203	(A,55,104)	RS1/10SR681J		R 356	(B,57,131)	RS1/10SR102J	
R 204	(A,47,113) 0.056 ohm	ACN7160		R 358	(A,68,131)	RS1/16SS681J	
R 206	(A,40,103)	RS1/16SS4702D		R 371	(A,78,96)	RS1/16SS821J	
R 207	(A,37,103)	RS1/16SS224J		R 372	(A,78,94)	RS1/16SS821J	
R 208	(A,33,117)	RS1/16SS152J		R 401	(A,144,103)	RS1/16SS105J	B
R 210	(A,34,116)	RS1/16SS3302D		R 402	(A,152,102)	RS1/16SS221J	
R 211	(A,34,114)	RS1/16SS8201D		R 403	(A,151,95)	RS1/16SS751J	
R 212	(A,35,116)	RS1/16SS223J		R 404	(A,131,95)	RS1/16SS331J	
R 218	(A,151,126)	RS1/16SS0R0J		R 405	(A,135,95)	RS1/16SS105J	
R 219	(A,151,125)	RS1/16SS0R0J		R 406	(A,130,91)	RS1/16SS471J	
R 222	(A,29,104)	RS1/10SR681J		R 407	(A,131,90)	RS1/16SS330J	
R 223	(A,29,103)	RS1/10SR681J		R 408	(A,131,88)	RS1/16SS681J	
R 224	(A,22,113) 0.056 ohm	ACN7160		R 410	(A,128,80)	RS1/4SA8R2J	
R 226	(A,14,103)	RS1/16SS4702D		R 411	(A,126,80)	RS1/4SA8R2J	
R 227	(A,11,103)	RS1/16SS224J		R 413	(A,137,74)	RS1/16SS102J	
R 228	(A,8,117)	RS1/16SS152J		R 414	(A,143,77)	RS1/16SS221J	C
R 230	(A,8,116)	RS1/16SS3302D		R 416	(A,132,77)	RS1/16SS0R0J	
R 231	(A,8,114)	RS1/16SS8201D		R 417	(A,138,72)	RS1/16SS472J	
R 232	(A,10,116)	RS1/16SS223J		R 418	(A,138,74)	RS1/16SS472J	
R 238	(A,151,124)	RS1/16SS0R0J		R 420	(B,144,105)	RS1/8SQ0R0J	
R 239	(A,151,123)	RS1/16SS0R0J		R 421	(B,152,100)	RS1/8SQ0R0J	
R 251	(B,55,29)	RS1/10SR221J		R 422	(B,148,100)	RS1/8SQ0R0J	
R 252	(B,55,32)	RS1/10SR221J		R 424	(A,129,98)	RS1/8SQ0R0J	
R 253	(B,55,31)	RS1/10SR221J		R 425	(A,139,106)	RS1/8SQ0R0J	
R 254	(A,50,41)	RS1/16SS102J		R 471	(A,125,99)	RS1/10SR102J	
R 255	(A,49,41)	RS1/16SS102J		R 473	(A,119,85)	RS1/16SS1003F	
R 256	(A,16,36)	RS1/16SS102J		R 474	(A,117,84)	RS1/16SS1802D	D
R 257	(B,48,43)	RS1/10SR101J		R 475	(A,123,82)	RS1/4SA471J	
R 258	(B,46,43)	RS1/10SR101J		R 476	(A,120,82)	RS1/4SA471J	
R 259	(B,44,43)	RS1/10SR102J		R 478	(A,123,87)	RS1/10SR103J	
R 260	(A,16,32)	RS1/16SS0R0J		R 501	(A,144,76)	RS1/16SS101J	
R 301	(A,8,129)	RS1/16SS820J		R 502	(A,150,76)	RS1/16SS101J	
R 302	(A,14,129)	RS1/16SS820J		R 503	(A,147,74)	RS1/16SS101J	
R 303	(A,16,129)	RS1/16SS820J		R 504	(A,144,74)	RS1/16SS101J	
R 304	(A,23,129)	RS1/16SS820J		R 506	(A,157,93)	RS1/16SS101J	
R 305	(A,25,129)	RS1/16SS820J		R 507	(A,157,91)	RS1/16SS101J	
R 306	(A,31,129)	RS1/16SS820J		R 508	(A,157,89)	RS1/16SS101J	
R 307	(A,8,130)	RS1/16SS223J		R 509	(A,157,87)	RS1/16SS101J	E
R 308	(A,14,130)	RS1/16SS223J		R 512	(A,156,68)	RS1/16SS101J	
R 309	(A,16,130)	RS1/16SS223J		R 513	(A,156,67)	RS1/16SS101J	
R 310	(A,23,130)	RS1/16SS223J		R 514	(A,156,66)	RS1/16SS101J	
R 311	(A,25,130)	RS1/16SS223J		R 561	(B,20,93)	RS1/10SR102J	
R 312	(A,31,130)	RS1/16SS223J		R 563	(A,9,82)	RS1/16SS333J	
R 321	(A,78,125)	RS1/16SS362J		R 564	(A,7,82)	RS1/16SS103J	
R 322	(A,79,125)	RS1/16SS362J		R 565	(A,7,83)	RS1/16SS103J	
R 323	(A,82,125)	RS1/16SS362J		R 601	(A,92,35)	RS1/16SS102J	
R 324	(A,83,125)	RS1/16SS362J		R 602	(B,102,71)	RS1/10SR154J	
R 325	(A,77,127)	RS1/16SS562J		R 603	(A,98,56)	RS1/16SS222J	F
R 326	(A,79,127)	RS1/16SS562J		R 604	(A,95,65)	RS1/16SS105J	
R 327	(A,82,127)	RS1/16SS562J		R 606	(B,94,62)	RS1/10SR104J	
R 328	(A,84,127)	RS1/16SS562J		R 607	(A,98,55)	RS1/16SS104J	

	1		2		3		4	
	<u>Circuit Symbol and No.</u>		<u>Part No.</u>		<u>Circuit Symbol and No.</u>		<u>Part No.</u>	
	R 608	(A,99,54)	RS1/16SS104J		R 702	(A,43,79)	RS1/16SS472J	
	R 609	(A,92,71)	RS1/16SS104J		R 703	(A,41,79)	RAB4CQ220J	
A	R 610	(A,99,76)	RS1/16SS104J		R 704	(A,37,79)	RAB4CQ220J	
	R 611	(A,93,60)	RS1/16SS104J		R 705	(A,34,79)	RAB4CQ220J	
	R 612	(A,93,58)	RS1/16SS104J		R 707	(A,37,83)	RS1/16SS472J	
	R 613	(A,105,82)	RS1/16SS104J		R 708	(A,41,61)	RS1/16SS220J	
	R 614	(A,96,64)	RS1/16SS104J		R 710	(A,37,61)	RAB4CQ220J	
	R 615	(A,96,66)	RS1/16SS101J		R 711	(A,34,61)	RAB4CQ220J	
	R 618	(B,106,52)	RS1/10SR472J		R 731	(A,73,93)	RS1/16SS473J	
	R 619	(A,112,76)	RS1/16SS103J		R 732	(B,71,92)	RS1/10SR473J	
	R 620	(B,106,64)	RS1/10SR104J		R 733	(A,72,93)	RS1/16SS473J	
	R 621	(A,104,54)	RS1/16SS104J		R 734	(A,78,90)	RS1/16SS473J	
	R 622	(B,93,50)	RS1/10SR104J		R 735	(A,78,87)	RS1/16SS473J	
B	R 623	(B,95,50)	RS1/10SR104J		R 741	(A,82,56)	RS1/16SS101J	
	R 624	(B,108,77)	RS1/10SR104J		R 742	(A,74,49)	RS1/16SS101J	
	R 627	(A,110,53)	RS1/16SS104J		R 743	(A,79,53)	RS1/16SS101J	
	R 628	(A,116,68)	RS1/16SS104J		R 744	(A,79,54)	RS1/16SS101J	
	R 631	(A,116,64)	RS1/16SS104J		R 745	(A,85,56)	RS1/16SS473J	
	R 636	(A,124,46)	RS1/16SS104J		R 751	(B,110,33)	RS1/10SR472J	
	R 638	(A,123,46)	RS1/16SS152J		R 752	(B,106,34)	RS1/10SR473J	
	R 639	(A,122,57)	RS1/16SS104J		R 753	(B,113,33)	RS1/10SR472J	
	R 640	(B,98,72)	RS1/10SR104J		R 754	(A,116,41)	RS1/16SS104J	
	R 641	(A,108,76)	RS1/16SS104J		R 755	(B,115,33)	RS1/10SR472J	
	R 642	(B,94,64)	RS1/10SR104J		R 756	(A,104,39)	RS1/16SS221J	
C	R 643	(B,98,70)	RS1/10SR104J		R 757	(A,104,40)	RS1/16SS221J	
	R 647	(A,104,82)	RS1/16SS103J		R 758	(A,104,38)	RS1/16SS101J	
	R 648	(B,101,82)	RS1/10SR473J		R 759	(A,110,41)	RS1/16SS221J	
	R 650	(A,91,73)	RS1/16SS0R0J		R 760	(A,104,37)	RS1/16SS101J	
	R 657	(A,87,62)	RS1/16SS101J		R 761	(A,115,41)	RS1/16SS102J	
	R 660	(B,84,69)	RS1/10SR221J		R 762	(A,117,34)	RS1/16SS151J	
	R 661	(B,58,86)	RS1/10SR221J		R 763	(A,119,41)	RS1/16SS151J	
	R 662	(A,84,62)	RS1/16SS101J		R 764	(A,119,34)	RS1/16SS151J	
	R 663	(A,83,67)	RS1/16SS332J		R 765	(A,123,41)	RS1/16SS221J	
	R 664	(B,77,71)	RS1/10SR473J		R 766	(A,122,41)	RS1/16SS104J	
	R 666	(B,77,75)	RS1/10SR473J		R 767	(B,105,37)	RS1/10SR104J	
D	R 669	(A,69,81)	RS1/16SS101J		R 771	(B,143,41)	RS1/10SR473J	
	R 670	(A,70,83)	RS1/16SS101J		R 772	(B,143,43)	RS1/10SR103J	
	R 671	(A,71,83)	RS1/16SS101J		R 773	(A,151,46)	RS1/10SR821J	
	R 672	(A,72,83)	RS1/16SS101J		R 801	(A,122,22)	RS1/10SR222J	
	R 673	(A,73,81)	RS1/16SS101J		R 802	(A,110,22)	RS1/10SR222J	
	R 674	(A,74,81)	RS1/16SS101J		R 803	(A,107,22)	RS1/10SR101J	
	R 675	(A,65,81)	RS1/16SS221J		R 804	(A,109,22)	RS1/10SR101J	
	R 676	(A,65,82)	RS1/16SS221J		R 805	(A,105,22)	RS1/10SR222J	
	R 677	(A,67,81)	RS1/16SS221J		R 806	(A,111,22)	RS1/10SR222J	
	R 678	(B,69,81)	RS1/10SR221J		R 807	(A,117,22)	RS1/10SR222J	
E	R 679	(A,76,81)	RS1/16SS332J		R 808	(A,116,22)	RS1/10SR222J	
	R 680	(A,37,89)	RS1/16SS0R0J		R 809	(A,115,22)	RS1/10SR222J	
	R 681	(A,84,81)	RAB4CQ473J		R 810	(A,119,22)	RS1/10SR222J	
	R 682	(A,83,69)	RS1/16SS153J		R 811	(A,120,22)	RS1/10SR222J	
	R 683	(A,83,70)	RS1/16SS153J		R 812	(B,95,20)	RS1/10SR102J	
	R 684	(A,88,71)	RS1/16SS153J		R 813	(B,95,22)	RS1/10SR104J	
	R 685	(A,88,72)	RS1/16SS153J		R 822	(A,123,28)	RS1/16SS103J	
	R 686	(A,83,72)	RS1/16SS473J		R 823	(A,122,28)	RS1/16SS473J	
	R 687	(A,83,73)	RS1/16SS473J		R 824	(B,123,30)	RS1/10SR242J	
	R 688	(A,86,76)	RS1/16SS473J		R 831	(B,100,24)	RS1/10SR1R0J	
	R 689	(A,85,77)	RS1/16SS473J		R 832	(B,109,26)	RS1/10SR473J	
F	R 690	(B,58,72)	RS1/10SR473J		R 833	(B,116,29)	RS1/10SR332J	
	R 691	(B,84,63)	RS1/10SR0R0J		R 834	(A,117,28)	RS1/10SR103J	
	R 692	(B,67,80)	RS1/10SR473J		R 841	(A,105,29)	RS1/10SR472J	
	R 701	(B,43,76)	RS1/10SR473J		R 842	(B,106,30)	RS1/10SR102J	

5		6		7		8	
<u>Circuit Symbol and No.</u>		<u>Part No.</u>		<u>Circuit Symbol and No.</u>		<u>Part No.</u>	
R 843	(B,105,30)	RS1/10SR103J		C 154	(B,92,111)	CKSRYB105K10	
R 845	(A,98,33)	RS1/16SS472J		C 155	(B,104,113)	CKSRYB105K10	
R 846	(A,96,34)	RS1/16SS472J		C 156	(B,104,111)	CKSRYB105K10	
R 860	(A,70,38)	RS1/16SS473J					A
R 863	(B,65,44)	RS1/10SR473J		C 157	(B,98,114)	CKSRYB105K10	
R 864	(B,60,45)	RS1/10SR0R0J		C 158	(B,98,113)	CKSRYB105K10	
R 865	(B,71,44)	RS1/10SR473J		C 159	(A,74,110)	CKSRYB105K10	
R 866	(B,60,36)	RS1/10SR473J		C 160	(A,87,109)	CKSRYB105K10	
R 867	(B,62,36)	RS1/10SR473J		C 161	(A,74,109) 2.2 uF	CCG1205	
R 869	(B,62,45)	RS1/10SR473J		C 163	(A,75,115)	CKSRYB105K10	
R 881	(A,47,87)	RS1/10SR103J		C 164	(A,86,114)	CKSRYB105K10	
R 882	(A,55,96)	RS1/16SS473J		C 165	(A,87,117) 10 uF	CCG1192	
R 883	(A,54,96)	RS1/16SS222J		C 166	(A,89,115) 10 uF	CCG1192	
R 884	(A,53,90)	RS1/16SS222J		C 168	(A,86,125)	CKSQYB225K16	
R 885	(A,54,89)	RS1/16SS272J		C 170	(A,88,122)	CKSQYB225K16	B
R 886	(A,53,85)	RS1/16SS472J		C 181	(A,91,108)	CKSSYB104K16	
R 887	(A,53,96)	RS1/16SS101J		C 182	(B,92,107)	CKSRYB104K16	
R 888	(A,53,89)	RS1/16SS101J		C 184	(A,105,105)	CKSSYB103K16	
R 889	(A,56,89)	RS1/16SS472J		C 185	(A,96,110) 4.7 uF	CCG1222	
R 901	(B,26,72)	RS1/10SR102J		C 186	(B,96,102)	CKSRYB104K16	
R 902	(A,7,61)	RS1/16SS512J		C 187	(B,100,103)	CKSRYB104K16	
R 903	(A,9,62)	RS1/16SS473J		C 188	(B,100,105) 4.7 uF	CCG1222	
R 904	(A,7,62)	RS1/16SS103J		C 189	(A,96,106)	CCSSCH271J50	
R 905	(A,6,63)	RS1/16SS103J		C 201	(A,46,118)	CKSSYB104K10	
R 921	(B,21,58)	RS1/10SR223J		C 202	(A,51,112) 22 uF	CCG1254	
R 922	(B,21,60)	RS1/10SR332J		C 204	(A,38,103)	CKSSYB102K50	C
R 931	(A,31,52)	RS1/16SS473J		C 205	(A,42,104)	CKSSYB104K16	
R 941	(B,130,43)	RS1/10SR473J		C 206	(A,36,103)	CKSSYB472K25	
R 951	(A,142,133)	RS1/16SS103J		C 207	(A,41,103)	CKSSYB104K16	
R 952	(A,141,128)	RS1/16SS104J		C 208	(A,32,116)	CCSSCH151J50	
R 953	(A,142,134)	RS1/16SS473J		C 209	(A,38,115)	CKSSYB105K6R3	
R 954	(A,142,130)	RS1/16SS473J		C 210	(A,37,116)	CKSSYB472K25	
R 955	(B,120,128)	RS1/10SR472J		C 211	(A,43,117) 10 uF	DCH1165	
R 956	(A,119,129)	RS1/4SA102J		C 212	(A,35,115)	CCSSCH270J50	
R 961	(B,99,126)	RS1/10SR103J		C 213	(A,61,109)	CEVW101M25	
R 962	(A,114,129)	RS1/4SA102J		C 214	(A,39,116)	CKSSYB104K16	
R 991	(A,118,115)	RS1/16SS103J		C 215	(A,52,117) Capacitor	CEHVW101M6R3	D
R 992	(A,116,114)	RS1/16SS103J		C 216	(A,47,118)	CKSSYB102K50	
R 993	(A,114,113)	RS1/16SS105J		C 217	(B,66,112) 22 uF	CCG1254	
R 1002	(A,88,76)	RS1/16SS5R6J		C 221	(A,21,118)	CKSSYB104K10	
R 1004	(A,91,77)	RS1/16SS5R6J		C 222	(A,25,112) 22 uF	CCG1254	
R 1006	(A,87,78)	RS1/16SS102J		C 224	(A,12,103)	CKSSYB102K50	
R 1007	(A,88,85)	RS1/16SS102J		C 225	(A,16,104)	CKSSYB104K16	
R 1008	(A,86,87)	RS1/16SS7502D		C 226	(A,10,103)	CKSSYB472K25	
R 1009	(A,82,88)	RS1/16SS3302D		C 227	(A,15,103)	CKSSYB104K16	
R 1010	(A,82,87)	RS1/16SS1002D		C 228	(A,7,116)	CCSSCH151J50	
R 1011	(A,88,88)	RS1/16SS1003D		C 229	(A,13,115)	CKSSYB105K6R3	
R 1012	(A,88,87)	RS1/16SS1003D		C 230	(A,12,116)	CKSSYB472K25	E
R 1013	(A,84,87)	RS1/16SS1003D		C 231	(A,18,117) 22 uF	CCG1254	
R 1014	(A,83,87)	RS1/16SS1003D		C 232	(A,10,115)	CCSSCH270J50	
				C 233	(A,14,117)	CKSSYB104K16	
				C 234	(A,27,117)	CEVW101M16	
				C 235	(A,22,118)	CKSSYB102K50	
				C 251	(A,36,48) Capacitor	CEVW471M10	
				C 253	(A,16,34)	CKSRYB105K16	
				C 255	(B,40,32) 4.7 uF	CCG1212	
				C 256	(B,40,34) 4.7 uF	CCG1212	
				C 262	(B,49,34)	CCSRCH270J50	F
				C 264	(B,55,34)	CKSRYB104K16	
				C 272	(B,26,45) 4.7 uF	CCG1212	
				C 273	(B,26,50) 4.7 uF	CCG1212	
<u>CAPACITORS</u>							
C 101	(B,146,142)	CKSRYB105K16					
C 121	(B,55,148)	CKSRYB102K50					
C 122	(B,37,129)	CKSRYB102K50					
C 123	(B,39,132)	CKSRYB102K50					
C 151	(A,74,113)	CKSRYB105K10					
C 152	(A,87,112)	CKSRYB105K10					
C 153	(A,74,112)	CKSRYB105K10					

1

2

3

4

Circuit Symbol and No.**Part No.****Circuit Symbol and No.****Part No.**

C 281	(B,22,45) 4.7 uF	CCG1212	C 431	(A,154,88)	CKSSYB472K25
C 284	(B,18,45) 4.7 uF	CCG1212	C 432	(A,154,90)	CKSSYB472K25
C 301	(A,9,126) 10 uF	CCG1192	C 433	(A,130,90)	CCSSCH101J50
A C 302	(A,13,126) 10 uF	CCG1192	C 434	(A,135,94)	CKSSYB104K10
			C 435	(A,128,90)	CKSSYB103K16
C 303	(A,17,126) 10 uF	CCG1192			
C 304	(A,22,126) 10 uF	CCG1192	C 436	(A,152,87)	CCSSCH100D50
C 305	(A,26,126) 10 uF	CCG1192	C 437	(A,149,87)	CKSSYB104K10
C 306	(A,30,126) 10 uF	CCG1192	C 438	(A,132,88)	CCSSCH820J50
C 307	(A,8,131)	CKSSYB103K16	C 441	(A,130,82)	CKSRYB474K10
			C 443	(A,131,80)	CCSRCH471J50
C 308	(A,14,131)	CKSSYB103K16			
C 309	(A,16,131)	CKSSYB103K16	C 444	(A,152,82)	CCSSCH100D50
C 310	(A,23,131)	CKSSYB103K16	C 445	(A,153,79)	CKSSYB104K10
C 311	(A,25,131)	CKSSYB103K16	C 447	(A,150,79) 2.2 uF	CCG1205
C 312	(A,31,131)	CKSSYB103K16	C 449	(A,148,82)	CKSSYB104K10
			C 450	(A,145,80)	CKSSYB104K10
B C 315	(B,33,142)	CKSRYB102K50			
C 325	(B,77,131)	CKSRYB224K16	C 451	(A,135,79)	CKSSYB102K50
C 326	(B,79,131)	CKSRYB224K16	C 452	(A,144,80)	CKSSYB105K6R3
C 327	(B,82,131)	CKSRYB224K16	C 453	(A,144,78) 2.2 uF	CCG1205
C 328	(B,84,131)	CKSRYB224K16	C 454	(A,138,79)	CKSSYB104K10
			C 456	(A,152,113)	CCSSCJ3R0C50
C 333	(A,62,136)	CKSRYB105K16			
C 335	(B,61,137)	CKSRYB102K50	C 459	(A,128,84)	CCSSCH100D50
C 337	(B,63,141)	CKSRYB103K50	C 461	(A,156,92)	CKSSYB104K10
C 338	(B,63,143) 10 uF	CCG1236	C 472	(A,131,103)	CKSRYB104K16
C 339	(B,88,143)	CKSRYB104K16	C 473	(A,119,95)	CKSRYB104K16
			C 511	(B,154,74)	CCSRCH220J50
C C 340	(A,128,123) 3 300 uF/16 V	CCH1486			
C 344	(B,66,137)	CKSRYB103K50	C 512	(B,156,76)	CCSRCH220J50
C 351	(A,50,129) Capacitor	CEVW220M16	C 513	(A,157,70)	CCSSCH220J50
C 352	(B,63,133) 2.2 uF	CCG1205	C 533	(A,146,45) 4.7 uF	CCG1212
C 375	(A,67,90) 4.7 uF	CCG1212	C 535	(A,141,54)	CKSRYB102K50
			C 537	(A,142,54) 10 uF	CCG1192
C 376	(A,58,93)	CKSSYB103K16			
C 377	(A,59,95) 4.7 uF	CCG1212	C 541	(A,145,56) 4.7 uF	CCG1212
C 378	(B,65,96)	CKSRYB104K16	C 542	(B,152,64) 4.7 uF	CCG1212
C 379	(A,80,96)	CKSSYB182K50	C 561	(A,17,99)	CKSSYB102K50
C 380	(A,80,94)	CKSSYB182K50	C 562	(A,16,99)	CKSRYB105K16
			C 563	(A,22,95)	CEVQW221M6R3
C 391	(A,141,57) 4.7 uF	CCG1212			
D C 393	(A,130,57)	CKSQYB474K16	C 564	(A,7,84)	CKSSYB102K50
C 401	(A,147,102)	CCSSCH330J50	C 565	(A,8,83)	CKSSYB682K25
C 402	(A,143,100)	CKSSYB103K16	C 566	(A,18,84)	CKSSYB103K16
C 403	(A,148,100)	CCSSCH6R0D50	C 568	(A,18,86)	CKSRYB105K16
			C 569	(A,22,87) 47 uF	CCG1256
C 404	(A,150,100)	CKSSYB103K16			
C 405	(A,141,97)	CKSSYB104K10	C 601	(A,92,68)	CCSSCH100D50
C 406	(A,137,96)	CKSSYB104K10	C 602	(A,92,64)	CCSSCH120J50
C 410	(A,150,97)	CKSSYB103K16	C 604	(A,92,70)	CKSSYB104K10
C 411	(A,139,97)	CKSSYB104K10	C 605	(B,99,65)	CKSRYB105K10
			C 608	(B,113,64)	CKSRYB105K10
C 412	(A,152,97)	CKSSYB103K16			
C 413	(A,137,97)	CKSSYB103K16	C 610	(A,103,50)	CKSRYB104K50
E C 414	(A,135,98) 10 uF	CCG1192	C 612	(B,120,47)	CKSRYB105K10
C 415	(A,134,98)	CCSSCK2R0C50	C 615	(B,97,65) 10 uF	DCH1201
C 416	(B,134,85)	RS1/10SR0R0J	C 616	(A,103,82)	CKSSYB104K10
C 419	(A,135,96)	CKSSYB223K16	C 617	(A,96,80)	CKSSYB104K10
C 420	(A,139,95)	CKSSYB103K16	C 651	(B,68,58)	CKSRYB104K16
C 421	(A,144,95)	CKSSYB104K10	C 652	(B,76,61)	CKSRYB104K16
C 422	(A,146,97)	CKSSYB103K16	C 653	(B,85,56)	CKSRYB104K16
C 423	(A,143,97)	CKSRYB105K10	C 654	(B,61,58)	CKSRYB104K16
C 424	(A,149,93)	CKSRYB224K16	C 655	(B,67,62)	CKSRYB104K16
C 426	(A,133,93)	CKSSYB103K16	C 656	(B,72,62)	CKSRYB104K16
F C 427	(A,148,90)	CKSSYB104K10	C 657	(B,78,57)	CKSRYB104K16
C 428	(A,130,92) 10 uF	CCG1192	C 659	(B,81,63)	CKSRYB104K16
C 429	(A,150,90)	CKSRYB105K10	C 660	(B,85,60)	CCSRCH100D50
C 430	(A,131,91)	CKSSYB104K10	C 661	(B,59,62)	CKSRYB104K16

1

2

3

4

5		6		7		8	
<u>Circuit Symbol and No.</u>		<u>Part No.</u>		<u>Circuit Symbol and No.</u>		<u>Part No.</u>	
C 662	(A,86,64)	CCSSCH120J50		C 901	(A,15,79)	CKSSYB102K50	
C 663	(B,81,67)	CKSRYB104K16		C 902	(A,16,79)	CKSRYB105K16	
C 665	(B,59,66)	CKSRYB104K16		C 903	(A,22,74)	CEVQW221M6R3	
C 666	(B,81,65)	CKSRYB104K16		C 904	(A,6,64)	CKSSYB102K50	A
C 668	(B,59,69)	CKSRYB104K16		C 905	(A,8,63)	CKSSYB682K25	
C 669	(A,86,69)	CCSSCH120J50		C 906	(A,18,64)	CKSSYB103K16	
C 670	(B,81,70)	CKSRYB104K16		C 908	(A,18,66)	CKSRYB105K16	
C 671	(B,60,72)	CKSRYB104K16		C 909	(A,11,55) 1 000 uF/16 V	CCH2024	
C 672	(B,81,76)	CKSRYB104K16		C 921	(B,17,55)	CKSRYB104K16	
C 673	(B,81,78)	CKSRYB104K16		C 922	(B,21,53)	CKSRYB103K50	
C 674	(B,65,80)	CKSRYB104K16		C 931	(A,29,63) 10 uF	CCG1192	
C 675	(B,71,75)	CKSRYB104K16		C 932	(A,31,55) 10 uF	CCG1192	
C 676	(B,76,79)	CKSRYB104K16		C 941	(B,136,40)	CKSRYB104K16	
C 677	(B,63,80)	CKSRYB104K16		C 942	(A,135,49) Capacitor	CEVW221M10	
C 678	(B,69,79)	CKSRYB104K16		C 943	(A,143,42)	CKSQYB105K16	B
C 682	(A,37,86) 4.7 uF	CCG1212		C 951	(B,115,128)	CKSRYB104K16	
C 683	(B,49,52) 4.7 uF	CCG1212		C 961	(B,104,128)	CKSRYB105K10	
C 685	(A,74,83)	CCSSCH120J50		C 991	(B,116,140)	CKSRYB104K16	
C 686	(A,79,84)	CCSSCH120J50		C 992	(A,118,107)	CKSRYB104K16	
C 687	(B,47,52)	CKSRYB104K50		C 994	(A,119,112)	CKSRYB104K16	
C 688	(B,44,52) 4.7 uF	CCG1212		C 995	(A,114,114)	CKSSYB333K16	
C 696	(A,64,81)	CCSSCH220J50		C 1002	(A,85,87)	CKSSYB104K10	
C 701	(B,53,71)	CKSRYB104K16					
C 702	(B,51,71)	CKSRYB104K16					
C 703	(B,47,71)	CKSRYB104K16					
C 704	(B,43,71)	CKSRYB104K16					
C 705	(B,34,73)	CKSRYB104K16					
C 706	(B,49,65)	CKSRYB104K16					
C 707	(B,44,65)	CKSRYB104K16					
C 708	(B,31,82) 2.2 uF	CCG1205					
C 711	(B,51,37)	CKSRYB104K16					
C 712	(B,53,49)	CKSRYB104K16					
C 721	(A,35,87) 10 uF	CCG1192					
C 722	(A,32,87) 10 uF	CCG1192					
C 731	(B,75,92)	CKSRYB104K16					
C 741	(A,77,50)	CKSSYB104K10					
C 752	(A,120,34)	CCSSCH220J50					
C 753	(A,121,41)	CCSSCH100D50					
C 754	(A,116,34)	CCSSCH220J50					
C 755	(B,106,37)	CKSRYB103K50					
C 758	(A,93,38)	CKSSYB102K50					
C 760	(A,112,41)	CKSSYB221K50					
C 770	(B,123,42)	CKSRYB104K16					
C 771	(B,151,41) 10 uF	DCH1201					
C 773	(A,155,45)	CKSSYB473K16					
C 802	(B,111,14)	CKSRYB221K50					
C 803	(A,103,21)	CKSRYB104K16					
C 805	(B,100,14)	CKSRYB104K16					
C 806	(B,104,22)	CKSRYB104K16					
C 807	(B,98,11)	CKSRYB104K16					
C 809	(B,117,48)	CKSRYB104K16					
C 810	(B,82,36)	CKSRYB104K16					
C 811	(B,100,19)	CKSRYB105K16					
C 812	(A,95,20)	CKSRYB104K16					
C 831	(B,112,26)	CKSQYB105K16					
C 841	(A,103,29)	CKSRYB104K16					
C 881	(A,57,90)	CKSSYB104K10					
C 882	(A,56,90)	CKSSYB104K10					
C 891	(A,37,92)	CKSRYB104K16					
C 892	(A,50,92)	CKSRYB104K16					
				X 1901	(A,109,19) Ceramic Resonator 16.000 MHz	CSS1616	

B
Unit Number : QWM3597
Unit Name : Keyboard Unit

MISCELLANEOUS

IC 1821	(A,130,22) IC	BH2228FV
IC 1901	(A,98,20) IC	PEQ124A8
IC 1902	(B,82,20) Flash ROM Unit	PEH394A8
IC 1931	(A,159,15) IR RC REC Module	PNJ4833M
Q 1831	(B,59,10) Transistor	LSCR523UB
Q 1832	(B,55,10) Transistor	LSCR523UB
Q 1833	(B,52,10) Transistor	LSCR523UB
Q 1834	(B,39,32) Chip Transistor	HN1C01FU
Q 1835	(B,47,32) Chip Transistor	HN1C01FU
Q 1836	(B,46,11) Chip Transistor	HN1C01FU
Q 1861	(A,144,23) Transistor	LSCR523UB
Q 1862	(A,144,18) Transistor	LSCR523UB
Q 1863	(A,144,13) Transistor	LSCR523UB
Q 1864	(B,75,38) Chip Transistor	HN1C01FU
Q 1865	(B,80,34) Chip Transistor	HN1C01FU
Q 1866	(A,130,30) Chip Transistor	HN1C01FU
D 1803	(A,136,32) Diode	CRG03
D 1831	(A,10,26) LED	SMLVN6RGB2U(A)
D 1832	(A,52,34) LED	SMLVN6RGB2U(A)
D 1833	(A,52,20) LED	SMLVN6RGB2U(A)
D 1834	(A,68,26) LED	SMLVN6RGB2U(A)
D 1861	(A,88,38) LED	SMLVN6RGB2U(A)
D 1862	(A,106,38) LED	SMLVN6RGB2U(A)
D 1863	(A,124,38) LED	SMLVN6RGB2U(A)
D 1864	(A,142,38) LED	SMLVN6RGB2U(A)
D 1901	(A,112,19) Diode	DA2J101
L 1981	(B,150,31) Inductor	CTF1389
L 1982	(B,150,32) Inductor	CTF1389
L 1983	(B,150,29) Inductor	CTF1389
TH1901	(A,98,9) Resistor	RS1/16SS473J

1

2

3

4

Circuit Symbol and No.Part No.Circuit Symbol and No.Part No.

S 1811	(A,26,26)	Encoder(MULTI-CONTROL)	CSD1168
S 1931	(A,9,40)	Push Switch	CSG1155
S 1932	(A,63,27)	Push Switch	CSG1155
S 1933	(A,62,16)	Push Switch	CSG1155
S 1935	(A,41,41)	Push Switch	CSG1155
S 1937	(A,68,13)	Push Switch	CSG1155
S 1938	(A,60,40)	Push Switch	CSG1155
S 1939	(A,41,12)	Push Switch	CSG1155
S 1940	(A,30,10)	Spring Switch	CSN1080
S 1941	(A,22,10)	Spring Switch	CSN1081
S 1942	(A,68,39)	Push Switch	CSG1155
CN1801	(B,131,26)	Connector	CKS6038
CN1951	(B,105,38)	Connector	CKS6228
JA1981	(A,160,27)	Jack	YKN5006

R 1907	(A,108,24)		RS1/16SS103J
R 1908	(A,111,26)		RAB4CQ103J
R 1909	(A,102,31)		RS1/16SS103J
R 1910	(A,99,31)		RAB4CQ473J
R 1911	(A,96,31)		RS1/16SS473J
R 1912	(A,95,31)		RS1/16SS473J
R 1914	(A,81,30)		RS1/16SS101J
R 1915	(A,93,30)		RAB4CQ101J
R 1916	(A,87,26)		RS1/16SS101J
R 1917	(A,87,24)		RAB4CQ101J
R 1918	(A,84,22)		RAB4CQ101J
R 1919	(B,94,16)		RAB4CQ101J
R 1920	(B,94,13)		RAB4CQ101J
R 1921	(A,87,16)		RAB4CQ101J
R 1922	(B,80,12)		RAB4CQ101J
R 1923	(B,85,12)		RAB4CQ101J
R 1924	(A,79,13)		RAB4CQ101J

RESISTORS

R 1801	(B,124,14)		RS1/10SR222J
R 1802	(B,125,14)		RS1/10SR222J
R 1803	(A,121,29)		RS1/10SR104J
R 1811	(B,54,24)		RS1/16SS103J
R 1821	(A,133,17)		RS1/10SR272J
R 1822	(A,131,17)		RS1/10SR272J
R 1823	(A,132,17)		RS1/10SR272J
R 1831	(A,124,19)		RS1/16SS102J
R 1832	(A,124,21)		RS1/16SS102J
R 1833	(A,125,19)		RS1/16SS102J
R 1834	(B,42,30)		RS1/16SS101J
R 1835	(B,46,14)		RS1/16SS101J
R 1836	(B,41,30)		RS1/16SS101J
R 1837	(B,48,12)		RS1/16SS101J
R 1838	(B,47,30)		RS1/16SS101J
R 1839	(B,46,30)		RS1/16SS101J
R 1840	(B,39,37)		RS1/10SR181J
R 1841	(B,41,37)		RS1/10SR181J
R 1842	(B,44,37)		RS1/10SR181J
R 1843	(B,46,37)		RS1/10SR181J
R 1844	(B,46,7)		RS1/10SR181J
R 1845	(B,48,7)		RS1/10SR181J
R 1861	(A,132,26)		RS1/16SS102J
R 1862	(A,133,26)		RS1/16SS102J
R 1863	(A,132,25)		RS1/16SS102J

R 1870	(A,81,33)		RS1/16SS101J
R 1871	(A,129,28)		RS1/16SS101J
R 1872	(A,79,32)		RS1/16SS101J
R 1873	(A,131,28)		RS1/16SS101J
R 1874	(A,82,33)		RS1/16SS101J

R 1875	(A,83,33)		RS1/16SS101J
R 1876	(B,72,39)		RS1/10SR181J
R 1877	(B,79,39)		RS1/10SR181J
R 1878	(B,82,37)		RS1/10SR181J
R 1879	(B,81,37)		RS1/10SR181J

R 1880	(B,119,38)		RS1/10SR181J
R 1881	(B,136,38)		RS1/10SR181J
R 1901	(A,110,16)		RS1/16SS472J
R 1902	(B,94,18)		RS1/16SS102J
R 1903	(A,114,19)		RS1/16SS154J

R 1904	(A,108,22)		RS1/16SS473J
R 1905	(A,108,23)		RS1/16SS103J
R 1906	(B,95,22)		RAB4CQ102J

R 1925	(A,101,9)		RAB4CQ102J
R 1926	(A,115,15)		RS1/16SS104J
R 1931	(B,148,19)		RS1/16SS470J
R 1953	(B,108,31)		RAB4CQ473J
R 1954	(A,108,28)		RS1/16SS473J
R 1955	(A,115,26)		RAB4CQ101J

CAPACITORS

C 1821	(A,135,20)		CKSSYB103K16
C 1822	(A,136,19)		CKSRYB105K10
C 1903	(A,115,19)		CKSSYB104K10
C 1904	(A,108,21)		CKSSYB103K16
C 1905	(A,88,20)		CKSSYB103K16
C 1906	(B,70,17)		CKSSYB103K16
C 1931	(B,150,19) 10 uF		CCG1192
C 1951	(A,97,35)		CKSQYB334K50
C 1952	(B,100,31) 4.7 uF		CCG1212
C 1953	(B,100,32) 4.7 uF		CCG1212
C 1954	(B,102,32) 4.7 uF		CCG1212
C 1955	(B,104,32) 4.7 uF		CCG1212
C 1957	(B,101,27)		CKSSYB105K6R3
C 1981	(B,147,30)		CKSRYB472K50
C 1982	(B,148,30)		CKSRYB472K50

D

Unit Number : YWM5577

Unit Name : Panel Unit

MISCELLANEOUS

D 1	(A,4,17) LED(Red)	SML-D12V8W(PQ)
D 2	(A,55,37) LED(Red)	SML-D12V8W(PQ)
S 1	(A,59,37) Push Switch(EJECT)	CSG1155
CN1	(A,39,24) Connector	CKS6037
CN2	(B,17,10) Connector	CKS3863

C

Unit Number : CWX4023

Unit Name : CD Core Unit (S11.6STD)

MISCELLANEOUS

IC 201	(B,23,37) IC	PE5791A
--------	--------------	---------

1

2

3

4

5		6		7		8	
<u>Circuit Symbol and No.</u>		<u>Part No.</u>		<u>Circuit Symbol and No.</u>		<u>Part No.</u>	
IC 301	(A,37,11)	IC	BD8223EFV	C 218	(B,10,36)	CCSSCH4R0C50	
Q 101	(B,11,53)	Transistor	2SA1577	C 219	(B,14,34)	CKSSYB104K10	
Q 102	(B,15,54)	Transistor	LTA123JUB	C 220	(A,18,38)	CKSSYB104K10	
X 201	(B,25,49)	Ceramic Resonator	16.934 MHz CSS1603	C 221	(B,14,32)	CKSSYB104K10	A
S 901	(A,42,53)	Spring Switch(HOME)	CSN1080	C 222	(B,13,37)	CKSSYB104K10	
S 903	(B,21,12)	Spring Switch(DSCSNS)	CSN1081	C 223	(B,12,42)	CCSSCH680J50	
CN101	(A,16,58)	Connector	CKS4808	C 224	(B,13,45)	CCSSCH470J50	
CN701	(A,25,29)	Connector	CKS6146	C 225	(B,13,46)	CKSSYB103K16	
				C 228	(B,10,33)	CCSSCH270J50	

RESISTORS

R 101	(B,6,57)	RS1/10SR2R4J	C 229	(B,9,40)	CKSSYB104K10	
R 102	(B,8,57)	RS1/10SR2R4J	C 233	(B,32,46)	CKSSYB103K16	
R 103	(B,9,57)	RS1/10SR2R7J	C 236	(B,8,40)	CKSSYB104K10	
R 108	(B,18,55)	RS1/16SS105J	C 238	(A,25,44)	CKSRYB104K16	
			C 299	(A,26,41)	CKSSYB104K10	
R 109	(B,12,50)	RS1/16SS222J	C 302	(B,28,12)	CKSSYB102K50	B
R 214	(B,18,28)	RS1/16SS103J	C 303	(B,29,12)	CKSSYB102K50	
R 215	(B,17,28)	RS1/16SS393J	C 304	(B,27,12)	CKSSYB223K16	
R 216	(B,12,35)	RS1/16SS122J	C 305	(B,26,12)	CKSSYB104K10	
			C 306	(A,31,7)	CKSSYB104K10	
R 217	(B,10,32)	RS1/16SS562J				
R 218	(B,10,35)	RS1/16SS472J	C 307	(A,41,19)	CKSRYB105K10	
R 229	(B,12,34)	RS1/16SS471J	C 308	(A,31,15)	CKSRYB105K10	
R 232	(A,31,54)	RS1/16SS0R0J	C 710	(A,34,42)	CKSSYB102K50	
R 237	(B,33,45)	RS1/16SS221J				
R 240	(B,34,40)	RS1/16SS473J				
R 245	(A,34,46)	RS1/16SS104J				C
R 254	(A,37,56)	RS1/16SS104J				
R 260	(B,30,27)	RS1/16SS103J				
R 264	(A,22,9)	RS1/16SS102J				
R 281	(B,33,38)	RS1/16SS560J				
R 282	(B,33,39)	RS1/16SS560J				
R 291	(B,33,34)	RS1/16SS560J				
R 294	(B,27,48)	RS1/16SS471J				
R 303	(A,27,11)	RS1/16SS123J				
R 304	(A,28,11)	RS1/16SS123J				
R 305	(A,26,9)	RS1/16SS102J				D
R 306	(A,26,11)	RS1/16SS472J				
R 307	(A,25,9)	RS1/16SS102J				
R 308	(A,25,11)	RS1/16SS472J				
R 309	(A,35,6)	RS1/16SS473J				
R 310	(B,30,9)	RS1/16SS472J				
R 311	(B,30,10)	RS1/16SS472J				
R 312	(B,30,11)	RS1/16SS472J				
R 313	(B,30,12)	RS1/16SS472J				
R 701	(A,21,38)	RS1/16SS101J				
R 702	(A,23,38)	RS1/16SS101J				
R 706	(A,32,42)	RS1/16SS221J				E

CAPACITORS

C 104	(B,12,57)	CKSQYB475K6R3				
C 203	(B,22,47)	CKSSYB104K10				
C 209	(B,28,47)	CKSRYB104K16				
C 210	(B,33,43)	CKSSYB104K10				
C 211	(B,33,41)	CKSSYB104K10				
C 212	(B,22,28)	CKSSYB104K10				
C 213	(B,18,26)	CKSSYB332K50				
C 214	(B,17,26)	CKSSYB473K16				
C 215	(B,19,28)	CKSSYB104K10				F
C 216	(B,12,33)	CKSSYB182K50				
C 217	(B,10,34)	CCSSCH560J50				