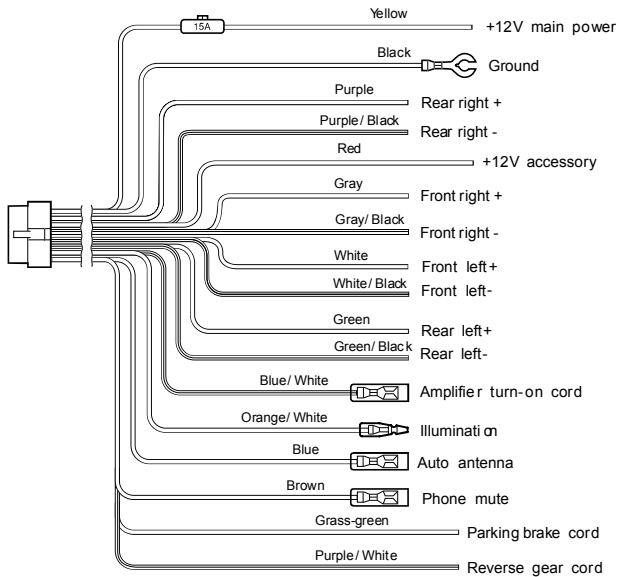
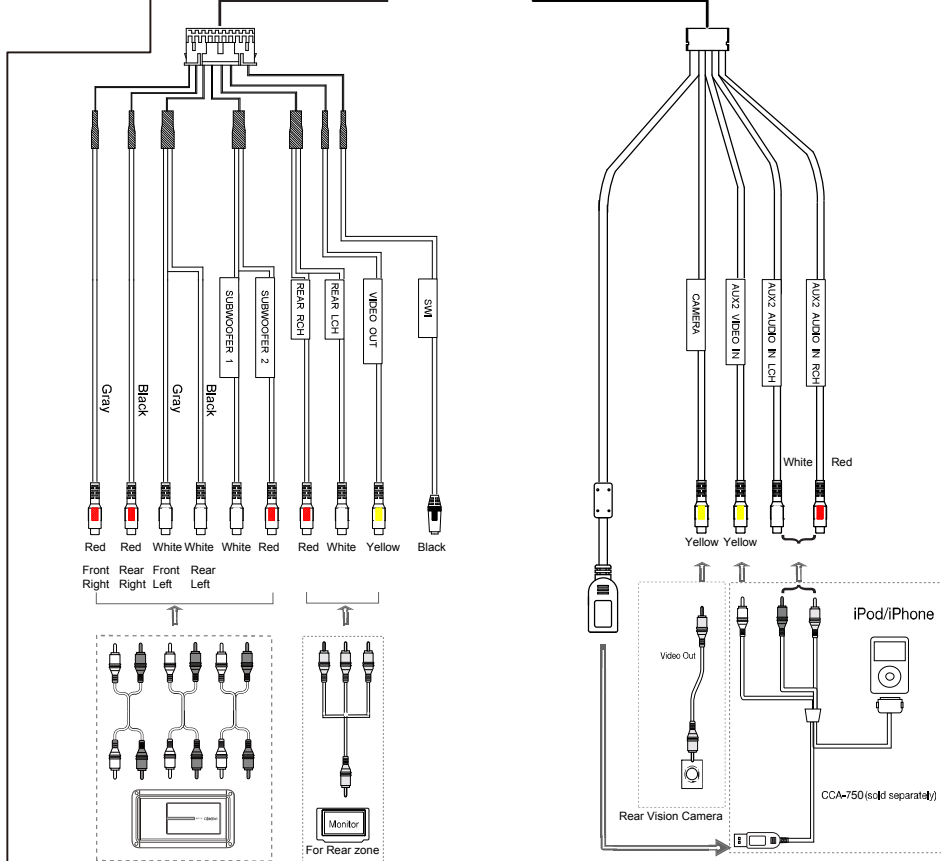
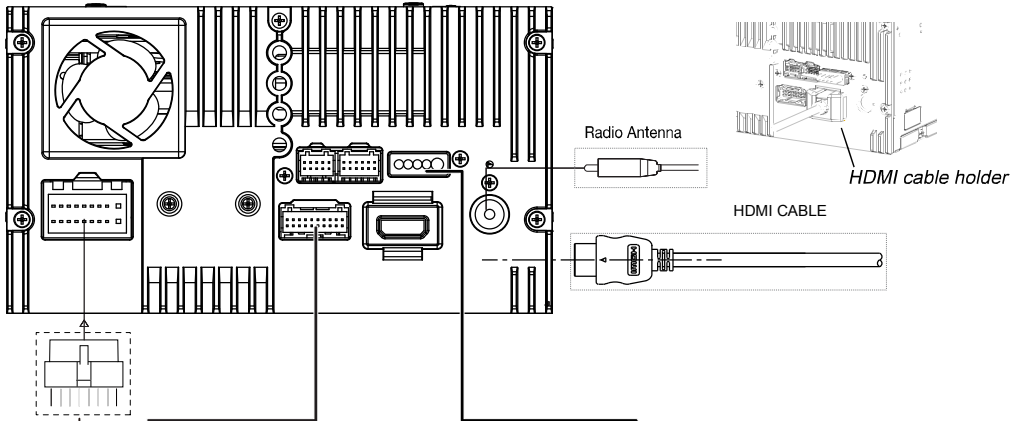
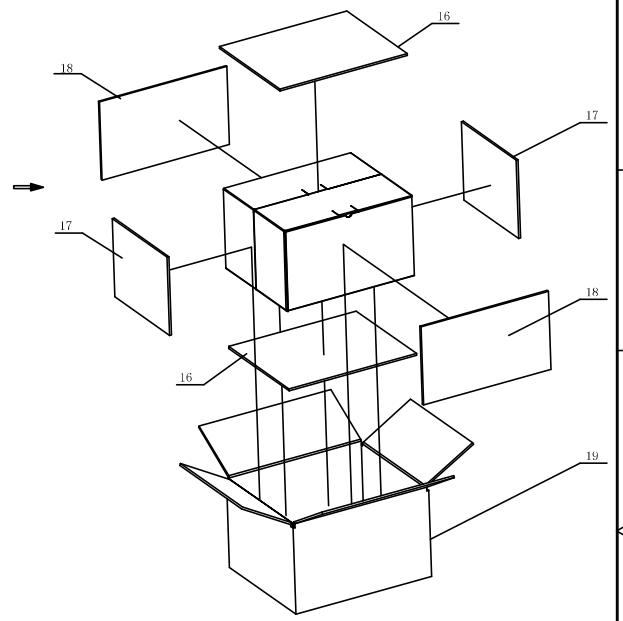
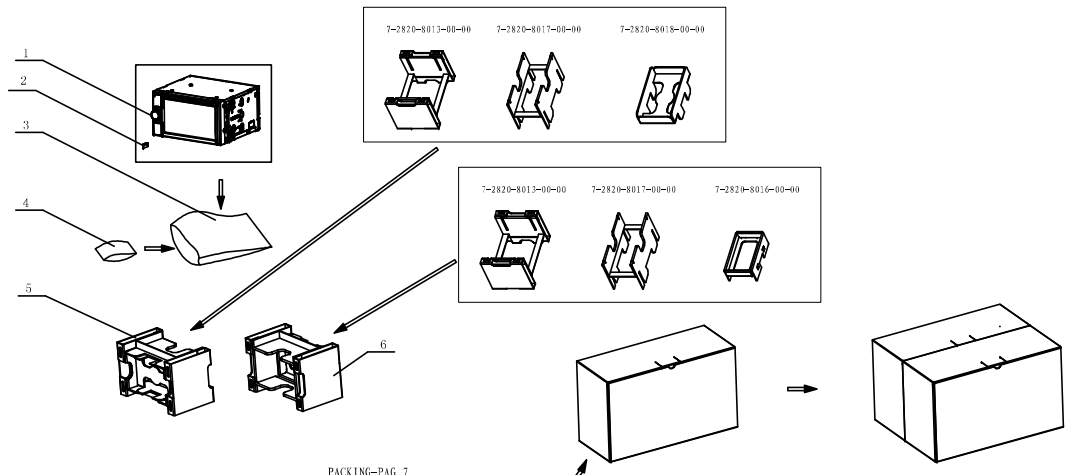
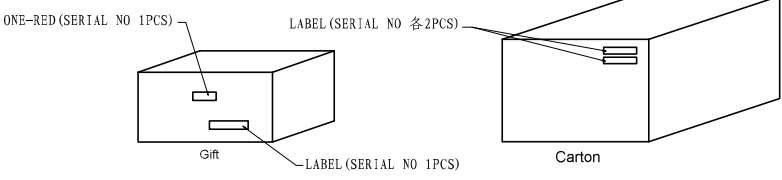
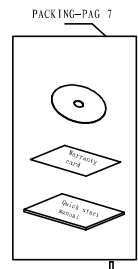


WIRE CONNECTION

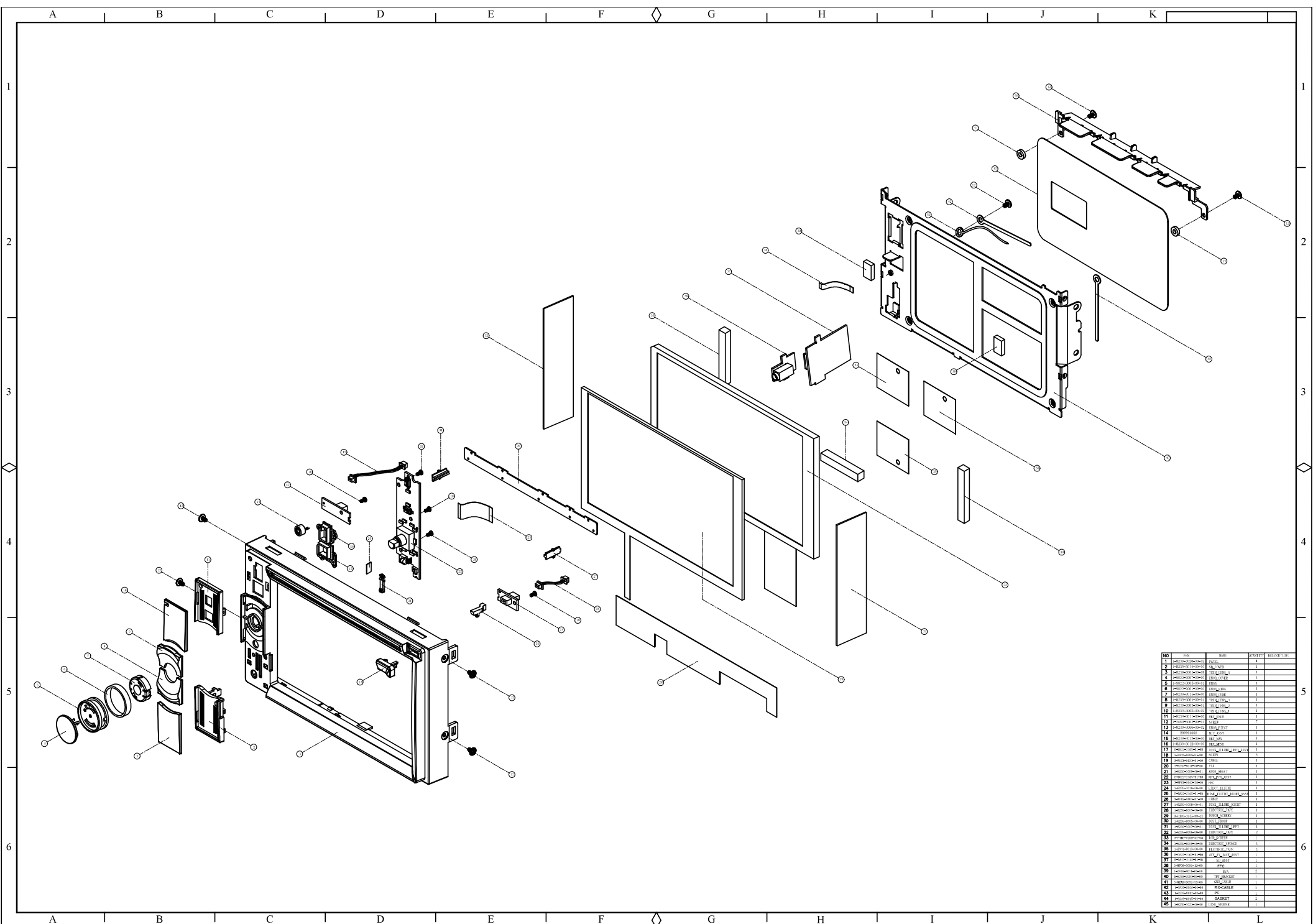




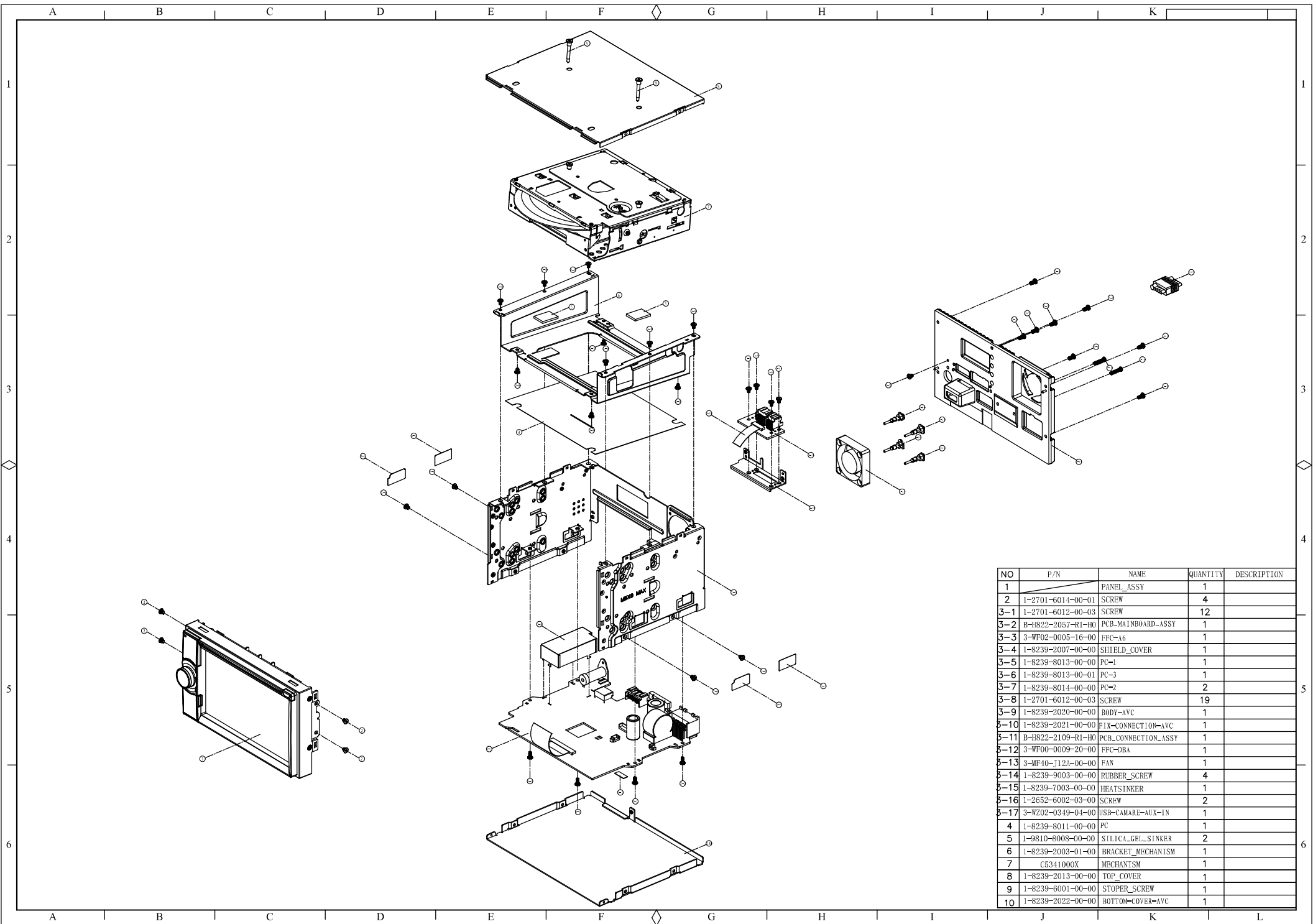
- 8 SCREW
- 9 Electro tap
- 10 SMK wiring harness
- 11 AV Cable(20PIN)
- 12 HDMI cable holder
- 13 Remote controller



NO.	NAME	P/N	DESCRIPTION	QUANTITY	PACKING-BAG P/N
1	UNIT	CES-8239-CL		1PCS	
2	TF CARD	3-Z400-08G0-00-02		1PCS	
3	PACKING-BAG	7-2651-8021-00-00		1PCS	
4	Sllicage1	7-8202-1019-00-00		1PCS	
5	UNIT-PAD-FRONT	7-2820-8013-00-00		1PCS	
		7-2820-8017-00-00		1PCS	
6	UNIT-PAD-LATER	7-2820-8018-00-00		1PCS	
		7-2820-8016-00-00		1PCS	
7	PACKING-BAG	7-8239-9004-00-00	cd	1PCS	
		7-9820-8508-00-00	Warranty Card	1PCS	7-2652-8007-01-01
		7-8239-2009-00-01	Quick Start Manual	1PCS	
8	SCREW	1-8205-6002-00-01	M5X8	8PCS	
9	Electro tap	1-2651-6021-00-02	M5X7	8PCS	7-2651-8024-00-00
10	SMK wiring harness	3-1001-0001-00-00		2PCS	7-2651-8024-00-00
11	AV Cable(20PIN)	3-WZ02-0279-18-00		1PCS	7-0182-0000-00-00
12	HDMI cable holder	3-WZ02-0351-20-00		1PCS	
13	Remote controller	1-8239-3022-00-00		1PCS	
14	ACCESSORIES-BOX	3-ZREM-1700-27-R3		1PCS	
15	Gift-BOX	7-2820-8015-00-00		1PCS	
16	PRESSBOARD1	7-2820-8014-00-46		1PCS	
17	PRESSBOARD2	7-2820-8020-00-00		2PCS	
18	PRESSBOARD3	7-2820-8021-00-00		2PCS	
19	Carton	7-2820-8022-00-00		2PCS	
		7-2820-8019-00-39		1/2PCS	



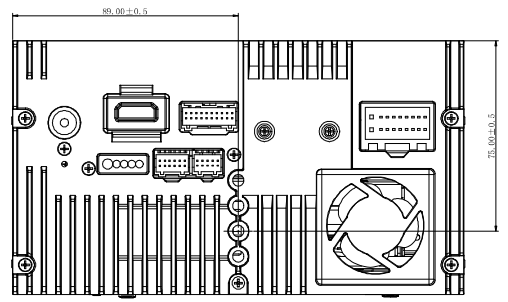
NO	FIG.	NAME	QTY	REMARKS
1	1	10000000000000000000	1	
2	2	10000000000000000000	1	
3	3	10000000000000000000	1	
4	4	10000000000000000000	1	
5	5	10000000000000000000	1	
6	6	10000000000000000000	1	
7	7	10000000000000000000	1	
8	8	10000000000000000000	1	
9	9	10000000000000000000	1	
10	10	10000000000000000000	1	
11	11	10000000000000000000	1	
12	12	10000000000000000000	1	
13	13	10000000000000000000	1	
14	14	10000000000000000000	1	
15	15	10000000000000000000	1	
16	16	10000000000000000000	1	
17	17	10000000000000000000	1	
18	18	10000000000000000000	1	
19	19	10000000000000000000	1	
20	20	10000000000000000000	1	
21	21	10000000000000000000	1	
22	22	10000000000000000000	1	
23	23	10000000000000000000	1	
24	24	10000000000000000000	1	
25	25	10000000000000000000	1	
26	26	10000000000000000000	1	
27	27	10000000000000000000	1	
28	28	10000000000000000000	1	
29	29	10000000000000000000	1	
30	30	10000000000000000000	1	
31	31	10000000000000000000	1	
32	32	10000000000000000000	1	
33	33	10000000000000000000	1	
34	34	10000000000000000000	1	
35	35	10000000000000000000	1	
36	36	10000000000000000000	1	
37	37	10000000000000000000	1	
38	38	10000000000000000000	1	
39	39	10000000000000000000	1	
40	40	10000000000000000000	1	
41	41	10000000000000000000	1	
42	42	10000000000000000000	1	
43	43	10000000000000000000	1	
44	44	10000000000000000000	1	
45	45	10000000000000000000	1	



NO	P/N	NAME	QUANTITY	DESCRIPTION
1		PANEL_ASSY	1	
2	1-2701-6014-00-01	SCREW	4	
3-1	1-2701-6012-00-03	SCREW	12	
3-2	B-H822-2057-R1-H0	PCB-MAINBOARD_ASSY	1	
3-3	3-WF02-0005-16-00	FFC-A6	1	
3-4	1-8239-2007-00-00	SHIELD_COVER	1	
3-5	1-8239-8013-00-00	PC-1	1	
3-6	1-8239-8013-00-01	PC-3	1	
3-7	1-8239-8014-00-00	PC-2	2	
3-8	1-2701-6012-00-03	SCREW	19	
3-9	1-8239-2070-00-00	BODY-AVC	1	
5-10	1-8239-2021-00-00	FIX-CONNECTION-AVC	1	
5-11	B-H822-2109-R1-H0	PCB_CONNECTION_ASSY	1	
5-12	3-WF00-0009-20-00	FFC-DBA	1	
5-13	3-MF40-J12A-00-00	FAN	1	
5-14	1-8239-9003-00-00	RUBBER_SCREW	4	
5-15	1-8239-7003-00-00	HEATSINKER	1	
5-16	1-2652-6002-03-00	SCREW	2	
5-17	3-WZ02-0349-01-00	USB-CAMERA-AUX-1X	1	
4	1-8239-8011-00-00	PC	1	
5	1-9810-8008-00-00	SILICA_GEL_SINKER	2	
6	1-8239-2003-01-00	BRACKET_MECHANISM	1	
7	C5341000X	MECHANISM	1	
8	1-8239-2013-00-00	TOP_COVER	1	
9	1-8239-6001-00-00	STOPPER_SCREW	1	
10	1-8239-2022-00-00	BOTTOM_COVER-AVC	1	

RADIO		DVD			AUDIO										VISUAL			DISPLAY				SURFACE COLOR			APPEARANCE											
MODEL NUMBER	COUNTRY	MECHANISM	DVD VIDEO AUDIO	CD	VIDEO CD	DVD-AUDIO	MP3/WMA	VOL	BASS	TREBLE	FREQ	BASS Q-FACTOR	MUTE	EQ	DSP	POWER	DIGITAL OUTPUT	LINE OUT (RCA)	ZONE	LINE IN (RCA)	LINE OUT (RCA)	LINE IN (RCA)	MAKER	SIZE	PICTURE ELEMENTS	TOUCHE PANEL	OTHER	ESOUTCHEN	BUTTON	BUTTON ILLUM			SLIDE MECH	AUTO DIMMER	CLOCK	BUS
VX404		SKYPNE	○	○	×	×	○	Rotary	○	○	○	○	○	○	×	MAX 49Wx4	×		○	2CH			PVI	6.3" WIDE	880 (RGB) X480	○	×	SEE DRAWING	SEE DRAWING	SEE DRAWING			×	×	○	×

1



A	B	Pin	ISC	PHL 21
A1	Black	AVL2	AVL2	AVL2
A2	White	AVL1	AVL1	AVL1
A3	White	AVL3	AVL3	AVL3
A4	Red	AVL4	AVL4	AVL4
A5	White	AVL5	AVL5	AVL5
A6	Red	AVL6	AVL6	AVL6
A7	Red	AVL7	AVL7	AVL7
A8	White	AVL8	AVL8	AVL8
A9	Yellow	AVL9	AVL9	AVL9
A10	Black	AVL10	AVL10	AVL10

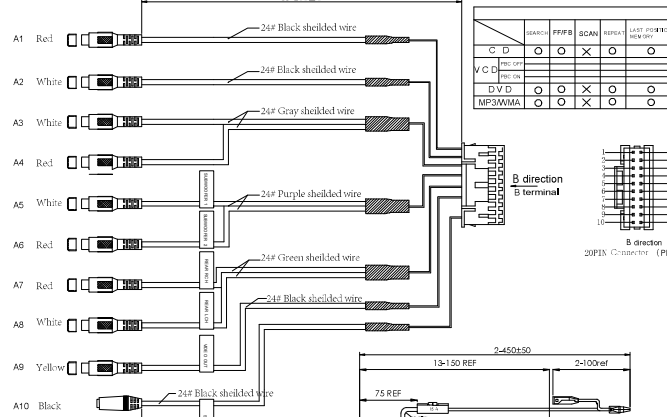


Table A (DVD PLAYER)														
SEARCH	FFFS	SCAN	REPEAT	LAST POSITION	STOP	SKIP	STOP	STOP	STOP	STOP	STOP	STOP	STOP	STOP
○	○	○	○	○	○	○	○	○	○	○	○	○	○	○
○	○	○	○	○	○	○	○	○	○	○	○	○	○	○
○	○	○	○	○	○	○	○	○	○	○	○	○	○	○

2

3

4

5

6

3

4

5

6

7

8

9

10

11

12

13

14

15

16

17

18

19

20

21

22

23

24

25

26

27

28

29

30

31

32

33

34

35

36

37

38

39

40

41

42

43

44

45

46

47

48

49

50

51

52

53

54

55

56

57

58

59

60

61

62

63

64

65

66

67

68

69

70

71

72

73

74

75

76

77

78

79

80

81

82

83

84

85

86

87

88

89

90

91

92

93

94

95

96

97

98

99

100

101

102

103

104

105

106

107

108

109

110

111

112

113

114

115

116

117

118

119

120

121

122

123

124

125

126

127

128

129

130

131

132

133

134

135

136

137

138

139

140

141

142

143

144

145

146

147

148

149

150

151

152

153

154

155

156

157

158

159

160

161

162

163

164

165

166

167

168

169

170

171

172

173

174

175

176

177

178

179

180

181

182

183

184

185

186

187

188

189

190

191

192

193

194

195

196

197

198

199

200

201

202

203

204

205

206

207

208

209

210

211

212

213

214

215

216

217

218

219

220

221

222

223

224

225

226

227

228

229

230

231

232

233

234

235

236

237

238

239

240

241

242

243

244

245

246

247

248

249

250

251

252

253

254

255

256

257

ELECTRICAL PARTS LIST

MB PART LISTS

NO.	Part Number	Part Information	Number	Reference Mark
1	3-B345-2057-R3-00	AVC_MB_CES-8239-CL_FR4_1.6mm_4L_137.3X184.6MM_1PIN_ROHS	1.00	
2	3-CC35-0103-4X-0S	0603_10nF_16V_X7R_±10%	29.00	C3 C14 C31 C42 C64 C68 C84 C85 C91 C95 C134 C185 C186 C193 C194 C225 C239 C240 C252 C466 C13 C94 C154 C164 C476 C139 C340 C341 C342
3	3-CC35-0100-30-0S	0603_10pF_16V_NPO_±5%	3.00	C6 C55 C177
4	3-CC37-0105-4X-1S	0603_1uF_25V_X7R_±10%_TAIYOU	81.00	C1 C100 C108 C109 C110 C113 C119 C128 C137 C138 C140 C141 C142 C155 C16 C161 C165 C166 C168 C17 C175 C191 C195 C198 C207 C208 C21 C214 C215 C216 C217 C255 C284 C286 C29 C30 C32 C338 C34 C36 C37 C38 C39 C41 C415 C43 C442 C444 C446 C448 C449 C450 C451 C452 C453 C454 C455 C456 C457 C458 C459 C460 C463 C468 C47 C477 C479 C485 C49 C5 C62 C66 C7 C70 C72 C73 C74 C82 C9 C92 C93
5	3-CC52-0226-44-0S	1206_22uF_6.3V_X5R_±10%	1.00	C8
6	3-CC37-0104-4X-0S	0603_0.1uF_25V_X7R_±10%	43.00	C209 C10 C104 C11 C132 C15 C152 C160 C162 C163 C169 C170 C171 C172 C176 C179 C18 C188 C189 C196 C20 C204 C218 C22 C221 C26 C28 C332 C443 C445 C46 C48 C51 C52 C54 C60 C61 C63 C69 C71 C75 C83 C90
7	3-CC55-0106-4R-0S	1206_10uF_16V_X5R_-10% ~+10%	11.00	C19 C65 C67 C86 C107 C178 C180 C181 C411 C436 C219
8	3-CC43-0106-4R-0S	0805_10uF_10V_X5R_±10%	13.00	C50 C133 C441 C461 C173 C53 C56 C153 C76 C135 C143 C149 C157
9	3-CC35-05P6-30-0S	0603_5.6PF_16V_NPO_±5%	2.00	C25 C27
10	3-CC47-0105-4X-1S	0805_1uF_25V_X7R_±10%	1.00	C35
11	3-CC39-0103-4X-0S	0603_10nF_50V_X7R_±10%_GRM188R71H103K	2.00	C45 C489
12	3-CC35-0150-30-0S	0603_15pF_16V_NPO_±5%	4.00	C57 C98 C111 C96
13	3-CC32-0225-4X-0S	0603_2.2uF_6.3V_X5R_±10	4.00	C58 C78 C81 C89
14	3-CC33-0474-4X-0S	0603_0.47uF_10V_X7R_±10	1.00	C77
15	3-CC35-0224-4X-0S	0603_0.22uF_16V_X7R_±10	6.00	C79 C87 C102 C120 C123 C127
16	3-CC35-0180-80-0S	0603_18pF_16V_NPO_±0.25	1.00	C80
17	3-CC35-0220-80-0S	603_22pF_16V_NPO_±0.25P	4.00	C88 C101 C106 C182
18	3-CC39-0030-80-0S	0603_3pF_50V_NPO_±0.25P	1.00	C97
19	3-CC35-0102-30-0S	0603_1n_16V_NPO_±5%	4.00	C99 C206 C388 C2
20	3-CC43-0475-4X-0S	0805_4.7uF_10V_X7R_±10%_TDK	1.00	C105
21	3-CC35-0101-30-0S	0603_100pF_16V_NPO_±5%	7.00	C115 C116 C117 C118 C205 C480
22	3-RS31-0000-J0-0S	0603 0Ω 1/16W ±5%	35.00	C122 C125 C126 C136 C167 C192 C24 FB29 R113 R122 R129 R130 R131 R134 R136 R137 R147 R153 R166 R177 R196 R242 R243 R25 R250 R347 R398 R4 R431 R53 R549 R659 R83 R88
23	3-CC35-0050-80-0S	0603_5pF_16V_NPO_±0.25	2.00	C144 C145

24	3-CC35-0822-4X-0S	0603_8n2_16V_X7R_±10%	2.00	C150 C151
25	3-CC39-0104-4X-0S	0603_0.1UF_50V_X7R_±10%	8.00	C344 C352 C423 C437 C438 C440 C231 C475
26	3-CC59-0475-4X-0S	1206_4.7UF_50V_X7R_±10	6.00	C345 C346 C353 C363 C490 C158
27	3-CC57-0225-4X-0S	1206_2.2uF_25V_X7R_±10%_TDK	3.00	C347 C369 C478
28	3-CC37-0122-4X-0S	0603_1.2nF_25V_X7R_±10%	2.00	C348 C370
29	3-CC37-0392-4X-0S	0603_3.9nF_25V_X7R_±10%	2.00	C349 C408
30	3-CC35-0331-30-0S	0603_330pF_16V_NPO_±5%	2.00	C350 C409
31	3-CC39-0016-34-6S	0603_1nF_50V_C0G_±5%_GRM1885C1H102JA01D	4.00	C351 C410 C439 C470
32	3-CC59-0105-4X-0S	1206_1uF_50V_X7R_±10%	3.00	C462 C464 C467
33	3-CC45-02U2-4X-0S	0805_2.2UF_16V_X7R_±10	2.00	C465 C124
34	3-CC67-0106-4R-0S	1210_10uF_25V_±10%_X7R_GRM32DR71E106K	2.00	C469 C491
35	3-CC35-0471-30-0S	0603_470pF_16V_NPO_±5%	1.00	C486
36	3-CC67-0226-4R-0S	1210_22uF_25V_X5R_±10%	4.00	C487 C488 C159 C183
37	3-JF04-0010-04-30	4PIN 1.0mm SMT	1.00	CON3
38	3-J108-0125-07-30-C	8PIN 1.25mm SMT	1.00	CON4
39	3-JF20-00R5-04-3R	20PIN 0.5mm SMT	1.00	CON10
40	3-JF60-00R5-04-3R	60PIN 0.5mm SMT	1.00	CON6
41	3-JF12-00R5-04-20	12PIN 0.5mm SMT	1.00	CON7
42	3-JF32-0100-04-20	32PIN 0.5mm SMT	1.00	CON8
43	3-JF16-00R5-04-3R	16PIN 0.5mm SMT	1.00	CON11
44	3-J104-0125-07-30	4PIN 1.25mm SMT	1.00	CON14
45	3-J104-0125-08-30-C	4PIN 1.25mm SMT	1.00	CON16
46	3-J100-SM02-B0-30	2PIN SMT	1.00	CON17
47	3-J102-0125-07-30-C	2PIN 1.25mm SMT	1.00	CONO3
48	3-JF07-00R5-02-30	7PIN 0.5mm SMT	1.00	CON21
49	3-J119-HDMI-07-20-F	HDMI Connetor_A TYPE_SMT TYPE_1mm	1.00	U11
50	3-DRB0-4004-00-0S	Rectifier Tube_1N4004 IA SOD-106	6.00	D1 D29 D30 D32 D36 D61
51	3-DKA0-4148-00-0S	Switching diode 1N4148WS 200mA 200mW SOD-323	21.00	D10 D13 D16 D19 D21 D22 D24 D3 D31 D33 D35 D37 D38 D39 D4 D40 D41 D5 D7 D8 D9
52	3-DTVS-SM8S-22-0S	TVS diode_SM8S22A_22V_ Clamping Voltage 35.5V_DO-218AB	1.00	D11
53	3-DSX0-SK34-00-0S	Schottky Diode SK34 3A SMA-L	4.00	D12 D27 D28 D2
54	3-ES30-06V0-00-0S	ESD Suppressor_0603_5-6V_0.15PF	38.00	E1 E2 E3 E4 E5 ESD1 ESD10 ESD11 ESD12 ESD28 ESD3 ESD44 ESD45 ESD46 ESD47 ESD48 ESD49 ESD5 ESD50 ESD51 ESD53 ESD54 ESD57 ESD58 ESD59 ESD6 ESD7 ESD8 ESD9 U19 U20 U22 U29 U3 U30 U32 U33 U34
55	3-LA30-601R-G0-0S	0603_600Ω_≤100mA_±25%	1.00	FB1
56	3-LA30-102R-00-1S	BEAD_0603_1000Ω _CBG160808U102T	1.00	FB2

57	3-LA2X-600R-X0-0S	BLM15HG601SN1D_0402_300MA_600Ω_±25%	27.00	FB3 FB4 FB5 FB6 FB7 FB8 FB9 FB10 FB11 FB12 FB13 FB14 FB15 FB16 FB17 FB18 FB19 FB20 FB21 FB22 FB23 FB24 FB25 FB26 FB27 FB30
58	3-F301-D1A1-01-00	Fuse 1812 1.1A 33V PPTC	1.00	FU2
59	3-F302-D02A-01-00	Fuse 1812 2A 8V PPTC	1.00	FU4
60	3-F302-D1A1-01-00	Fuse 1812 1.1A 8V PPTC	1.00	FU5
61	K-UMFI-2162-00-01	CLASS4_PHONE,W/USB AUDIO_2.0B MFI34IS2162	1.00	IC1
62	3-URT9-293B-GJ-06	IC RT9293BGJ6 TSOT-23-6 1MHz RICHTEK	2.00	IC3 IC4
63	3-U0BA-3121-F0-9S	BA3121F-E2_SOP8_ROHM	2.00	IC6 IC9
64	3-U0LD-1117-33-0S	LD1117_3.3V_SOT-223	1.00	IC7
65	3-U4HC-4052-PW-BS	74HC4052PW_TSSOP16_P HILIPS	2.00	IC8 IC44
66	3-U0CS-4344-CZ-XS	CS4344_TSSOP10_DAC_IC _CIRRUS_LOGIC	1.00	IC10
67	3-URT9-0131-2P-00	IC RT9013-12PB SOT-25 LDO 500mA RICHTEK	1.00	IC11
68	3-QIRF-7205-PM-6S	MOSFET IRF7205 SO-8 P- Channel	1.00	IC31
69	3-U0LD-1117-18-0S	REGULATOR_LD1117_1.8V _SOT-223	1.00	IC38
70	3-UFMS-6502-00-BS	FMS6502_TSSOP-24_8- Input,6-Output Video Switch Matrix_FAIRCHILD	1.00	IC45
71	3-U0LD-1117-33-XS	LD1117_A 3.3V_TO-252_IC	1.00	IC59
72	3-USTM-8S20-7M-XS	MCU_STM8S207MBT6B	1.00	IC61
73	3-UNJW-1222-00-AS	NJW1222_SSOP32_IC_JRC	1.00	IC80
74	3-L23X-02U2-K0-0S	0603 2.2uH ≤75mA ±10%	2.00	L1 L22
75	3-LA6X-060R-00-0S	1206_60R_≤1000mA_±25%	6.00	L15 L16 L24 L3 L31 L5
76	3-LA5X-601R-G0-0S	0805_600R_≤300mA_±25%	7.00	L8 L10 L11 L23 L25 L29 L13
77	3-L4S0-0220-3B-16	POWER_IND_CDH3B16_22u H_0.4R_0.4A	2.00	L12 L27
78	3-L860-290N-00-1S	Wire-Wind-Ind_10B3218H- R29K_290NH_10%_1206	1.00	L14
79	3-L260-215N-00-1S	Wire-Wind-Ind_10B3218H- R21K_215nH_10%_1206	1.00	L21
80	3-L2S0-022U-M0-7S	SANWA_18B1278L- 220MT01_22UH_±20%	2.00	L26 L30
81	3-L2X9-010U-M0-0S	14B6045E_10UH_±20% _3A_ROHS	1.00	L32
82	3-L8S0-0100-NX-00	INDUCTOR_CES-8210B- CL_CDH4B28_10uH_2000PP M_°C_30%	3.00	L35 L36 L37
83	3-RN21-001K-J0-0S	0402 1K*4 1/16W ±5%	7.00	NR1 NR2 NR3 NR4 NR6 NR7 NR9
84	3-RS21-D4K7-J0-00	0402 4.7K*4 1/16W ±5%	2.00	NR5 NR8
85	3-RN21-022R-J0-0S	0402 22R*4 1/16W ±5%	4.00	NR10 NR11 NR15 NR16
86	3-QMBT-3906-0P-6S	mmBT3906LT1 SOT-23 PNP	6.00	Q1 Q10 Q52 Q67 Q68 Q69
87	3-QMBT-3904-0N-6S	mmBT3904LT1 SOT-23 NPN	9.00	Q11 Q2 Q25 Q26 Q3 Q4 Q40 Q6 Q65
88	3-Q0SP-8K33-NM-XS	N-Channel FET_ROHM_SP8K33_SOP8	2.00	Q7 Q8

89	3-Q0KR-C402-0N-6S	KRC402 USM NPN	11.00	Q12 Q13 Q17 Q20 Q27 Q28 Q31 Q36 Q42 Q71 Q72
90	3-QIRL-6402-PM-6S	P-Channel FET IRLML6402 MICRO3	4.00	Q30 Q33 Q43 Q5
91	3-Q2SC-4375-0N-6S	SC4375 SOT-89 NPN	2.00	Q22 Q24
92	3-Q2SB-1132-0P-6S	2SB1132 SOT-89 PNP	1.00	Q23
93	3-UMUT-MH23-00-XS	Dual digital transistor_IMH23_ROHM	4.00	Q38 Q39 Q34 Q35
94	3-QKTD-1624-0N-6S	KTD1624C SOT-89 NPN	1.00	Q49
95	3-RS31-001K-J0-0S	0603 1K 1/16W ±5%	46.00	R101 R111 R112 R116 R117 R118 R119 R12 R120 R14 R142 R15 R165 R169 R170 R178 R179 R180 R200 R221 R224 R229 R24 R240 R28 R295 R296 R3 R362 R37 R39 R462 R49 R495 R5 R546 R558 R57 R61 R62 R68 R69
96	3-RS31-100K-J0-0S	0603 100K 1/16W ±5%	18.00	R143 R186 R187 R188 R189 R205 R212 R267 R417 R418 R435 R442 R481 R561 R563 R6 R696 R782
97	3-RS31-075R-F0-0S	0603 75Ω 1/16W ±1%	11.00	R7 R8 R9 R10 R11 R52 R208 R209 R230 R236 R585
98	3-RS52-330R-J0-0S	0805 330Ω 1/10W ±5%	1.00	R13
99	3-RS31-020K-J0-0S	0603 20K 1/16W ±5%	8.00	R16 R260 R263 R420 R448 R56 R34
100	3-RS31-010K-J0-0S	0603 10K 1/16W ±5%	39.00	R100 R114 R135 R141 R155 R158 R159 R161 R175 R192 R20 R251 R262 R268 R280 R281 R301 R338 R384 R399 R447 R45 R48 R498 R505 R60 R63 R64 R65 R66 R67 R75 R755 R76 R783 R784 R85 R92 R98
101	3-RS31-030K-J0-0S	0603 30K 1/16W ±5%	10.00	R182 R183 R184 R185 R21 R297 R300 R307 R308 R358
102	3-RS31-100R-J0-0S	0603 100Ω 1/16W ±5%	29.00	R109 R110 R115 R132 R151 R157 R194 R23 R231 R233 R234 R258 R261 R264 R279 R403 R409 R412 R413 R414 R497 R776 R777 R84 R86 R87
103	3-RS31-010K-F0-0S	0603 10K 1/16W ±1%	6.00	R26 R29 R217 R407 R202 R550
104	3-RS31-05K6-J0-0S	0603 5K6 1/16W ±5%	1.00	R27
105	3-RS31-075K-F0-0S	0603 75K 1/16W ±1%	2.00	R33 R272
106	3-RS31-002K-F0-0S	0603 2K 1/16W ±1%	3.00	R290 R302 R43
107	3-RS31-018K-F0-0S	0603 18K 1/16W ±1%	2.00	R44 R379
108	3-RS31-220R-J0-0S	0603 220Ω 1/16W ±5%	2.00	R47 R455
109	3-RS31-03K9-J0-0S	0603 3K9 1/16W ±5%	6.00	R203 R204 R210 R560 R58 R78
110	3-RS31-010R-J0-0S	0603 10Ω 1/16W ±5%	7.00	R126 R216 R246 R415 R554 R559
111	3-RS31-022R-J0-0S	0603 22Ω 1/16W ±5%	1.00	R91
112	3-RS31-04K7-F0-0S	0603 4K7 1/16W ±1%	3.00	R499 R527 R94
113	3-RS31-470K-J0-0S	0603 470K 1/16W ±5%	2.00	R397 R95
114	3-RS31-180K-J0-0S	0603 180K 1/16W ±5%	2.00	R125 R304
115	3-RSA5-0R02-F0-0S	2010 0.02Ω 1/2W ±1%	2.00	R127 R269
116	3-RS31-04K7-J0-0S	0603 4K7 1/16W ±5%	8.00	R128 R191 R305 R323 R350 R353 R458 R562
117	3-RS31-02K2-F0-0S	0603 2K2 1/16W ±1%	2.00	R154 R253
118	3-RS31-024K-J0-0S	0603 24K 1/16W ±5%	1.00	R163
119	3-RS31-015K-F0-0S	0603 15K 1/16W ±1%	4.00	R164 R544 R140 R223
120	3-RS31-051R-J0-0S	0603 51Ω 1/16W ±5%	2.00	R174 R271

121	3-RS31-02K7-J0-0S	0603 2K7 1/16W ±5%	1.00	R190
122	3-RS31-039K-F0-0S	0603 39K 1/16W ±1%	4.00	R193 R389 R256 R547
123	3-RS31-06K8-F0-0S	0603 6K8 1/16W ±1%	4.00	R206 R207 R492 R522
124	3-RS31-033R-F0-0S	0603 33Ω 1/16W ±1%	5.00	R213 R214 R215 R285 R286
125	3-RS31-04R7-F0-0S	0603 4.7Ω 1/16W ±1%	8.00	R218 R219 R220 R222 R225 R226 R227 R228
126	3-RS31-047K-J0-0S	0603 47K 1/16W ±5%	5.00	R238 R239 R248 R426 R254
127	3-RS31-022K-J0-0S	0603 22K 1/16W ±5%	1.00	R241
128	3-RS31-027K-F0-0S	0603 27K 1/16W ±1%	2.00	R252 R359
129	3-RS31-06K2-J0-0S	0603 6K2 1/16W ±5%	2.00	R255 R259
130	3-RS63-002R-J0-0S	1206 2Ω 1/8W ±5%	3.00	R168 R265 R496
131	3-RS63-04K7-J0-0S	1206 4K7 1/8W ±5%	1.00	R283
132	3-RS31-130K-F0-0S	0603 130K 1/16W ±1%	1.00	R416
133	3-RS31-300K-F0-0S	0603 300K 1/16W ±1%	1.00	R430
134	3-RS31-270K-F0-0S	0603 270K 1/16W ±1%	1.00	R432
135	3-RS31-036K-F0-0S	0603 36K 1/16W ±1%	1.00	R433
136	3-RS31-001M-J0-0S	0603 1M 1/16W ±5%	3.00	R439 R444 R445
137	3-RS53-04R7-F0-0S	0805 4.7Ω 1/8W ±1%	4.00	R477 R478 R479 R480
138	3-RS31-047Ω-F0-00	0603 47Ω 1/16W ±1%	1.00	R529
139	3-RS31-820R-F0-0S	0603 820Ω 1/16W ±1%	4.00	R538、R530、R501、R504
140	3-RS31-300R-F0-0S	0603 300Ω 1/16W ±1%	3.00	R503 R537 R539
141	3-RS31-470R-F0-0S	0603 470Ω 1/16W ±1%	5.00	R545 R156 R19 R310 R446
142	3-RS31-220R-F0-0S	0603 220Ω 1/16W ±1%	3.00	R528、R491、R521
143	3-RS31-680R-F0-0S	0603 680Ω 1/16W ±1%	2.00	R524、R494
144	3-RS31-200R-F0-0S	0603 200Ω 1/16W ±1%	2.00	R536、R502
145	3-RS63-100K-F0-0S	1206 100K 1/8W ±1%	1.00	R506
146	3-RS31-392R-F0-0S	0603 392Ω 1/16W ±1%	1.00	R540
147	3-RS31-560K-F0-0S	0603 560K 1/16W ±1%	1.00	R543
148	3-RS31-001K-F0-0S	0603 1K 1/16W ±1%	3.00	R124 R523、R493
149	3-RS63-1000-F0-0S	206 1Ω 1/8W ±1%	2.00	R552 R553
150	3-RS31-016K-F0-0S	0603 16K 1/16W ±1%	1.00	R566
151	3-RS21-001K-F0-0S	0402 1K 1/16W ±1%	1.00	R589
152	3-CES5-0106-52-0S	4X5.3_10uF_16V_105°C ±20%	5.00	TC1 TC14 TC23 TC30 TC27
153	3-CES5-0227-52-0S	6.3*7.7_220uF_16V_105°C ±20%	5.00	TC2 TC3 TC5 TC13 TC70
154	3-CES5-0107-52-0S	6.3X5.3_100uF_16V_105°C ±20%	4.00	TC4 TC20 TC26 TC8
155	3-CES5-0476-52-0S	5X5.3_47uF_16V_105°C ±20%	6.00	TC6 TC22 TC24 TC28 TC56 TC10
156	3-CES2-0227-52-0S	6.3X5.3_220uF_6.3V_105°C ±20%	2.00	TC9 TC21
157	3-U814-2LAB-3D-0S	IC UTC_8142L-AB3-D- R_SOT-89(PIN:IN-GND-	1.00	U2
158	3-XQ01-026M-00-20	Crystal Oscillator_26MHz +/- 10PPM 12PF SMD 3225	1.00	U4
159	3-UCSR-8311-08-0S	BT IC_CSR8311A08-IQQD- R QFN40	1.00	U6
160	3-ULFB-212G-45-0S	WIFI/BT Filter LFB212G45CG2D013 0805 Murata	1.00	U7

161	3-UTPS-4333-Q1-00	IC_Texas Instruments_TPS43331_Q1_ DUAL SWITCHER AND LINEAR REGULATORS	1.00	U9
162	3-U0CH-7102-A0-0S	IC_CH7102A_HDMI to BT656 Convertor_QFN40_CHRONT	1.00	U10
163	3-XQ06-004M-02-4S	Crystal Oscillator HC-49 SMT 4.000MHz 20PF ±20ppm -20 °C+80°C	1.00	Y3
164	3-XQ05-008M-01-2S	Crystal Oscillator 8MHz 49SMT 20PF ±10ppm -40°C ~85°C	1.00	Y6
165	3-DTVS-LESD-5L-0S	TVS Diode_LESD5L5.0T1G_0.5pF _SOD-523	6.00	ZD1 ZD13 ZD14 ZD2 ZD3 ZD5
166	3-DZA3-0018-00-0S	Stabilivolt 18V MSOD-323	1.00	ZD4
167	3-DZA3-0010-00-0S	Stabilivolt 10V 1mA SOD-323	1.00	ZD6
168	3-DZA3-07V5-00-0S	Stabilivolt 7.5V 1mA SOD-323	6.00	ZD10 ZD11 ZD12 ZD15 ZD16 ZD17
169	3-DZA3-05V6-00-0S	Stabilivolt 5.6V 1mA SOD-323	1.00	ZD9
170	3-DD10-BAV9-00-0S	BAV99LT1 2.5uA 225mW SOT-23	2.00	ZD18 ZD19
171	3-DZA3-0012-00-0S	Stabilivolt 12V 1mA SOD-323	1.00	ZD44
172	3-U0TL-431A-00-0S	TL431_SOT-23	2.00	ZR2 ZR1
173	3-RS31-082K-F0-0S	0603 82K 1/16W ±1%	1.00	R176
174	3-RS31-012K-F0-0S	0603 12K 1/16W ±1%	2.00	R181 R548
175	3-LA30-182R-00-1S	0603_1800Ω_≤50mA_±25%	4.00	FB28 FB31 FB34 FB35
176	3-UTEF-6621-00-0S	IC_TEF6621_S032	1.00	U5
177	3-RS63-0000-F0-0S	1206 0Ω 1/8W ±1%	5.00	FU R294 R484 R291 R293
178	3-UNJM-2794-00-9S	NJM2794_SSOP14_IC_JRC	1.00	IC12
179	3-RS31-100R-F0-0S	0603 100Ω 1/16W ±1%	6.00	R103 R104 R105 R106 R107 R108
180	3-RS31-100K-F0-0S	0603 100K 1/16W ±1%	7.00	BC5 R17 R18 R22 R30 R31 R32
181	3-DTVS-24DL-CB-0S	TVS Diode_SOD- 323_WS24DLC-B_24V	1.00	ESD4
182	3-DHXX-A104-02-0S	ESD EGA10402V05AH_5V_0402_ 0.2pf_fbetter	12.00	ESD14 ESD15 ESD16 ESD17 ESD18 ESD19 ESD20 ESD21 ESD22 ESD23 ESD24 ESD25
183	3-Q2SC-3265-0N-6S	2SC3265/L8050QLT1G SOT- 23 NPN	3.00	Q29 Q44 Q45
184	3-RS63-001K-J0-0S	1206 1K 1/8W ±5%	1.00	R311
185	3-RS31-003K-F0-0S	0603 3K 1/16W ±1%	2.00	R102 R149
186	3-L4S0-0101-CD-32	CD32_100uH_≤	1.00	L6

SERVO PART LISTS

NO.	Part Number	Part Information	Number	Reference Mark
1	3-B324-1663-R4-00	Servo_CNE-8239- CL_FR4_1.2mm_2L_169.2*121.6mm 2拼 ROHS	1.00	
2	3-CC32-0475-44-0S	0603 4.7uF 6.3V X5R ±10%	2.00	BC13 BC73
3	3-CC35-0050-80-0S	0603 5pF 16V NPO ±0.25	1.00	C25
4	3-CC35-0101-30-0S	0603 100pF 16V NPO ±5%	1.00	BC54
5	3-CC35-0102-4X-0S	0603_1nF_16V_X7R_±10%	7.00	BC27 BC26 BC70 C6 C7 BC62 BC10
6	3-CC35-0103-4X-0S	0603_10nF_16V_X7R_±10%	36.00	BC14 BC16 BC19 BC2 BC22 BC24 BC25 BC28 BC29 BC30 BC31 BC32 BC33 BC34 BC35 BC36 BC37 BC38 BC39 BC40 BC41 BC46 BC47 BC48 BC49 BC5 BC50 BC51 BC52 BC56 BC60 BC65 BC66 BC67 BC68 FB4
7	3-CC35-0104-4X-0S	0603_0.1uF_16V_X7R_±10%	12.00	BC1 BC6 BC18 BC55 BC61 BC23 BC45 BC15 BC17 BC64 BC63 C206
8	3-CC35-0105-4X-1S	0603 1uF 16V X7R ±10%	4.00	BC43 C4 BC71 BC72
9	3-CC35-0151-30-0S	0603 150pF 16V NPO ±5%	4.00	C320 C323 C326 C329
10	3-CC35-0220-80-0S	0603_22pF_16V_NPO_±0.25P	8.00	BC7 BC4 BC9 BC57 BC58 BC8 C23 C24
12	3-CC35-0273-4X-0S	0603 27nF 16V X7R ±10%	2.00	BC11 BC12
13	3-CC35-0330-30-0S	0603 33pF 16V NPO ±5%	1.00	C8
14	3-CC35-0471-30-0S	0603 470pF 16V NPO ±5%	2.00	BC59 BC3
15	3-CC35-0560-30-0S	0603 56pF 16V NPO ±5%	1.00	C1
16	3-CC43-0106-4R-0S	0805 10uF 10V X5R ±10%	8.00	BC42 BC44 BC53 TC1 TC3 TC5 TC6 TC2
17	3-CE32-0107-52-MS	100uF 6.3V SMT 5*5.5 ±20%	3.00	TC16 TC17 TC12
18	3-CES2-0227-52-0S	6.3X5.3 220uF 6.3V 105°C ±20%	1.00	TC15
19	3-CES5-0107-52-0S	6.3X5.3 100uF 16V 105°C ±20%	2.00	TC19 TC20
20	3-CES5-0476-52-0S	5X5.3 47uF 16V 105°C ±20%	4.00	TC8 TC10 TC11 TC13
21	3-DKA0-4148-00-0S	1N4148WS 300mA 200mW SOD-323	2.00	D1 D2
22	3-JF24-00R5-03-30	FFC CON 24PIN 0.5mm SMT	1.00	J1
23	3-JF32-0100-04-20	FPC 32PIN 1.0mm SMT	1.00	CON7
24	3-KDES-E11M-H1-SS	ESE11MH1 7.6*6.4*5.4 ≤36gf	1.00	DISC SW
25	3-L25X-0390-M0-0S	0805 39uH ≤5mA ±20%	3.00	FB10 FB14 FB15
26	3-LA30-182R-00-1S	0603 1800Ω ≤50mA ±25%	1.00	FB19
27	3-LA30-601R-G0-0S	0603 600Ω ≤100mA ±25%	4.00	L7 L10 L11 L39
28	3-LA5X-010R-00-1S	0805 10R ≤500mA (0~15Ω)	1.00	FB16
29	3-LA6X-101R-00-1S	1206 100R ≤500mA ±25%	4.00	FB13 FB2 FB3 FB6
30	3-Q0BT-2907-0P-6S	mmBT2907A SOT-23 PNP SMT	2.00	Q1 Q2
31	3-QMBT-3904-0N-6S	mmBT3904LT1 SOT-23 NPN	3.00	Q4 Q10 Q13
32	3-QMBT-3906-0P-6S	mmBT3906LT1 SOT-23 PNP	1.00	Q5
33	3-RS31-0000-J0-0S	0603 0Ω 1/16W ±5%	10.00	R12 R13 R67 R72 R75 R76 R90 R94 R95 FB11
34	3-RS31-001K-J0-0S	0603 1K 1/16W ±5%	8.00	R44 R33 R20 R11 R117 R202 R122 R124
35	3-RS31-002K-J0-0S	0603 2K 1/16W ±5%	2.00	R245 R298
36	3-RS31-010K-F0-0S	0603 10K 1/16W ±1%	7.00	R27 R28 R64 R65 R21 R41 R84
37	3-RS31-010R-J0-0S	0603 10Ω 1/16W ±5%	1.00	R2
38	3-RS31-020K-F0-0S	0603 20K 1/16W ±1%	2.00	R19 R3
39	3-RS31-022K-J0-0S	0603 22K 1/16W ±5%	1.00	R120
40	3-RS31-027R-F0-0S	0603 27Ω 1/16W ±1%	1.00	R34

41	3-RS31-033K-J0-0S	0603 33K 1/16W ±5%	1.00	R125
42	3-RS31-033R-J0-0S	0603 33Ω 1/16W ±5%	12.00	R22 R5 R6 R47 R57 R58 R14 R70 R71 R74 R16 R18
43	3-RS31-0348-F0-0S	0603 348Ω 1/16W ±1%	1.00	R83
44	3-RS31-03K9-F0-0S	0603 3K9 1/16W ±1%	1.00	R55
45	3-RS31-047K-J0-0S	0603 47K 1/16W ±5%	1.00	R54
46	3-RS31-04K7-J0-0S	0603 4K7 1/16W ±5%	13.00	R1 R4 R7 R15 R26 R35 R51 R78 R79 R107 R108 R52 R77
47	3-RS31-051K-F0-0S	0603 51K 1/16W ±1%	3.00	R25 R23 R121
48	3-RS31-056R-J0-0S	0603 56Ω 1/16W ±5%	1.00	R59
49	3-RS31-06K2-F0-0S	0603 6K2 1/16W ±1%	1.00	R10
50	3-RS31-075R-F0-0S	0603 75Ω 1/16W ±1%	1.00	R46
51	3-RS31-075R-J0-0S	0603 75Ω 1/16W ±5%	4.00	R29 R8 R9 R493
52	3-RS31-08R2-F0-0S	0603 8.2R 1/16W ±1%	2.00	R42 R39
53	3-RS31-100K-J0-0S	0603 100K 1/16W ±5%	1.00	R45
54	3-RS31-100R-J0-0S	0603 100Ω 1/16W ±5%	1.00	R85
55	3-RS31-150R-J0-0S	0603 150Ω 1/16W ±5%	1.00	R81
56	3-RS31-15K4-F0-0S	0603 15.4K 1/16W ±1%	1.00	R37
57	3-RS31-220K-J0-0S	0603 220K 1/16W ±5%	1.00	R61
58	3-RS31-220R-F0-0S	0603 220Ω 1/16W ±1%	2.00	R43 R40
59	3-RS31-560R-J0-0S	0603 560Ω 1/16W ±5%	2.00	BC20 BC21
60	3-RS52-0000-J0-0S	0805 0Ω 1/8W ±5%	3.00	FB5 FB7 FB18
61	3-RS63-01R0-J0-0S	1206 1R 1/8W ±5%	1.00	R282
62	3-U0AM-5766-00-00	IC_AM5766_IC_HSOP28_AMTEK	1.00	U1
63	3-U0CS-4344-CZ-XS	CS4344_TSSOP10_DAC_IC_CIRRU S LOGIC	1.00	U3
64	3-U0EN-25QH-16-0S	SPIFLASH_EN25QH16-104HIP SOP-8	1.00	U4
65	3-U0FM-24CL-16-0S	IC_FM24CL16B_SOP8_RAMTRON	1.00	U202
67	3-UM12-6416-4A-DS	SDRAM_4*16M_M12L64164A- 7TG_TS0P54_ESMT	1.00	U301
68	3-XQ05-027M-00-3S	27M_HC-49SMT_20PF ±10ppm -40°C +85°C	1.00	Y1
69	3-LA30-600R-00-0S	CHIP_BEAD_0603_600Ω _SZ1608G601	1.00	R66
70	3-LA60-600R-P0-0S	CHIP_BEAD_1206_600Ω ±25%	1.00	FB1
71	3-U0ZR-3697-0P-2S	IC_ZR36970PQCG-V _TQFP128_ZORAN	1.00	U5
72	3-DF00-IR90-80-0S	SLC-3400_IR908-7C/F298	2.00	LD2 LD3

KEY PART LISTS

NO.	Part Number	Part Information	Number	Reference Mark
1	3-B324-2105-R2-00	CES-8239-CL_KEY Board_FR- 4_1.2MM_2L_204.9*108.7MM _4PIN_RoHS	1.00	
2	3-RS31-330R-F0-0S	0603 330Ω 1/16W ±1%	6.00	R4 R8 R27 R29 R39 R40
3	3-RS31-150R-J0-0S	0603 150Ω 1/16W ±5%	1.00	R16
4	3-RS31-200R-F0-0S	0603 200Ω 1/16W ±1%	12.00	R1 R2 R21 R22 R34 R35 R36 R37 R5 R6 R88 R9
5	3-RS31-030K-F0-0S	0603 30K 1/16W ±1%	2.00	R3 R10
6	3-RS31-022R-J0-0S	0603 22Ω 1/16W ±5%	1.00	FB2
7	3-RS31-020K-F0-0S	0603 20K 1/16W ±1%	1.00	R7
8	3-RS31-001K-J0-0S	0603 1K 1/16W ±5%	3.00	R17 R18 R19
9	3-RS31-0000-J0-0S	0603 0Ω 1/16W ±5%	1.00	R26
10	3-LA30-182R-00-1S	0603_1800Ω_≤50mA_±25%	1.00	FB1
11	3-L8SX-0100-K0-0S	CF322522_10uH_150mA_±5	1.00	L1
12	3-KTTS-1107-GS-SS	TS-1107GS-2 6*37*2.5 180gf±30gf	2.00	SW3 SW4
13	3-KT20-17E0-02-SS	2017E-0023.9*2.9*2 200gf±30gf	1.00	SW19
14	3-KT11-0150-4W-SS	CNE-8115- CL_6*3,5*5,0,,1101-504W 180GF	1.00	SW5
15	3-JF20-00R5-05-30	20pin_0.5mm_SMT	1.00	CON1
16	3-JF12-00R5-04-20	12PIN_0.5mm_SMT	1.00	CON5
17	3-JDTP-ALPS-07-20	TF_LPS_SCHA4B0400	1.00	CON2
18	3-J107-0100-08-30	7PIN 1mm SMT	2.00	CON8 CON9
19	3-J104-0100-08-20	4pin 1.0mm SMT	1.00	CON3
20	3-J102-0125-07-30	2PIN 1.25mm SMT	1.00	CCON2
21	3-ES30-06V0-00-0S	ESD Suppressor 0603 5-6V <0.15PF	1.00	ESD1
22	3-DZA3-03V9-00-0S	Stabilivolt 3.9V 1mA SOD-323	1.00	ZD1
23	3-DEX6-1303-3A-0S	LED RGB三色灯 3528-RGB 13032500003A 20mA R48mW/G72mW/B72mW	6.00	LED2 LED5 LED6 LED7 LED8 LED9
24	3-DED0-1106-24-0S	LED_11062403001A_620- 625nm_2.0-2.2v_115-150mcd	1.00	D1
25	3-CC43-0106-4R-0S	0805 10uF 10V X5R ±10%	1.00	C3
26	3-CC37-0104-4X-0S	0603 0.1uF 25V X7R ±10%	4.00	C1 C2 C7 C8
27	3-CC35-0102-30-0S	0603 1n 16V NPO ±5%	2.00	C4 C6
28	3-CC35-0100-30-0S	0603 10pF 16V NPO ±5%	1.00	C10
29	3-J104-0125-07-30	4PIN 1.25mm SMT	1.00	CON4

CONNECTOR PART LISTS

NO.	Part Number	Part Information	Number	Reference Mark
1	3-ES30-06V0-00-0S	ESD Suppressor 0603 5-6V <0.15PF	10.00	ESD1 ESD2 ESD3 ESD4 ESD11 ESD12 ESD13 ESD35 ESD36 ESD37
2	3-JF20-00R5-04-3R	20PIN_0.5mm_ROHS_IRISO	1.00	CON5
3	3-B325-2109-R1-00	CES-8239-CL_Connetor Board_FR- 4_1.6MM_2L_149.2*143MM_ 15PIN ROHS	1.00	

NAVI PART LISTS

NO.	Part Number	Part Information	Number	Reference Mark
1	3-B364-1997-R1-00	Core Board_SiRFatlasVI_FR-4_1.2MM_6L_196.4*90.8mm_3PIN_ROHS	1.00	
2	3-USRS-3661-01-0S	Embedded Processtor_SiRFatlasVI_CSR S3661A01-IBBO-R_FCBGA362	1.00	U1
3	3-UADV-7181-00-00	IC_ADV7181D_10-Bit, 10-Channel, Multiformat SDTV/HDTV Video Decoder	1.00	U26
4	3-CC25-0104-4X-0S	SN-6605-Z_0402_0.1uF_X7R_10%_16V_GRM155R71C104KA88D	66.00	C1 C114 C116 C118 C121 C1237 C1242 C13 C142 C147 C148 C150 C154 C155 C157 C158 C159 C16 C161 C162 C163 C164 C165 C17 C193 C196 C198 C2 C209 C21 C210 C211 C213 C23 C25 C3 C320 C322 C324 C325 C326 C327 C337 C37 C50 C56 C57 C58 C59 C6 C62 C63 C64 C65 C66 C67 C69 C70 C71 C78 C8 C80 C82 C83 C84 C86
5	3-CC23-0103-4X-0S	0402_10nF_16V_X7R_±10%	13.00	C321 C323 C1238 C1244 C68 C136 C328 C22 C24 C42 C43 C44 C45
6	3-CC23-0102-4X-0S	0402_1nF_10V_X7R_±10%	3.00	C319 C60 C61
7	3-CC22-0105-44-0S	0402_1uF_6.3V_X5R_±10%	32.00	C139 C140 C112 C133 C135 C138 C137 C15 C18 C19 C26 C54 C55 C73 C74 C75 C76 C79 C81 C87 C89 C96 C97 C98 C99 C100 C101 C102 C103 C113
8	3-CC25-0223-4X-0S	0402_22nF_16V_X7R_±10%	5.00	C108 C109 C134 C117 C151
9	3-CC32-0225-4X-0S	0603_2.2uF_6.3V_X5R_±10	3.00	C5 C7 C53
10	3-CC29-0220-3C-6S	SN-6605-Z_0402_22PF_50V_±5%_COG_GRM1555C1H220HZ01D_MVRATA	5.00	C11 C12 C123 C125 C126
11	3-CC23-0332-4X-0S	0402_3.3nF_10V_X7R_±10%	6.00	C110 C111 C143 C144 C145 C146
12	3-CC32-0106-54-0S	0603_10uF_6.3V_X5R_±20%	7.00	C156 C330 C331 C332 C333 C106 C107
13	3-CC32-0475-44-0S	0603_4.7uF_6.3V_X5R_±10	4.00	C132 C141 C4 C72
14	3-CC23-0010-30-0S	0402_10PF_10V_NPO_±5%	2.00	C149 C153
15	3-CC29-0470-34-0S	0402_47pF_50V_COG_±5%	2.00	C1235 C1236
16	3-CC25-0823-4X-0S	0402_82NF_16V_X7R_±10%	1.00	C329
17	3-CC29-0101-34-0S	0402_100pF_50V_COG_±5%	4.00	C20 C77 C85 C88
18	3-CC29-0150-34-0S	0402_15pF_50V_COG_5%	2.00	C9 C10
19	3-CC22-0224-4X-0S	0402_220nF_6.3V_X7R_±10%	22.00	C27 C28 C29 C30 C31 C32 C33 C34 C35 C36 C38 C39 C40 C41 C46 C47 C90 C91 C92 C93 C94 C95
20	3-CC29-0221-4X-6S	SN-6605-Z_0402_220PF_X7R_10%_50V_GRM155R71H221KA01D	1.00	C49
21	3-CC22-0226-00-0S	POL_22u_6V3_0805	4.00	C48 C51 C104 C105
22	3-XQ0X-32K7-68-4S	Crystal Oscillator 32.768KHz SMD 12.5PF ±20PPM -40°C +85°C	1.00	Y2

23	3-U0CS-4344-CZ-XS	CS4344_TSSOP10_DAC_IC_CIRRUS_LOGIC	1.00	U9
24	3-DKA0-4148-00-0S	Switching Diode 1N4148WS 200mA 200mW SOD-323	4.00	D1 D2 D3 D4
25	3-L220-010N-J0-6S	CHIP-INDUCTANCE_SN-6605-Z_0402_10nH_±5%_LQG15H	7.00	FB1 FB7 FB8 FB10 FB15 L3 FB13
26	3-LA69-120R-X0-0S	BLM31PG121SH_1206_3A_1 20Ω_±25%	1.00	FB14
27	3-LA24-102R-M0-0S	0402_1000ohm_200MA_±25	2.00	FB11 FB12
28	3-LA38-120R-00-6S	CHIP-BEAD_SN-6605-Z_0603_BLM18PG121SN1_1 20Ω_100MHZ_2000mA	1.00	L4
29	3-L4S8-0022-N0-0S	IND_PWR_2.2UH_1MHZ_2A_30%_SMT_CDRH3D16	2.00	L1 L2
30	3-U0LD-1117-33-0S	LD1117_3.3V_SOT-223	1.00	U6
31	3-U0UF-2G8F-2C-XS	FLASH H27U2G8F2CTR_256MB_TS OP48_HYNIX	1.00	U4
32	3-RS21-0000-J0-0S	0402 0Ω 1/16W ±5%	18.00	R11 R12 R135 R139 R14 R141 R176 R177 R178 R18 R188 R189 R193 R7 R72 R73 R75 R76
33	3-RS21-1K69-F0-0S	0402 1.69KΩ 1/16W ±1%	1.00	R185
34	3-RS21-100K-F0-0S	0402 100K 1/16W ±1%	12.00	R21 R22 R60 R62 R63 R64 R65 R68 R77 R92 R131 R150
35	3-RS21-100R-J0-0S	0402 100Ω 1/16W ±5%	6.00	R30 R31 R33 R34 R35 R36
36	3-RS21-010K-F0-0S	0402 10K 1/16W ±1%	18.00	R15 R19 R27 R39 R42 R55 R70 R91 R127 R133 R152 R154 R155 R160 R161 R162 R171 R187
37	3-RS21-001K-F0-0S	0402 1K 1/16W ±1%	6.00	R41 R43 R87 R88 R89 R134
38	3-RS21-001M-F0-0S	0402 1M 1/16W ±1%	1.00	R148
39	3-RS21-022R-J0-0S	0402 22Ω 1/16W ±5%	2.00	R97 R99
40	3-RS21-024K-J0-0S	0402 24K 1/16W ±5%	1.00	R69
41	3-RS21-240R-00-0S	240R 0402 1/16W ±5%	2.00	R1 R38
42	3-RS21-020K-F0-0S	0402 20K 1/16W ±1%	1.00	R80
43	3-RS21-002M-F0-0S	0402 2M 1/16W ±1%	1.00	R13
44	3-RS21-030K-F0-0S	0402 30K 1/16W ±1%	4.00	R81 R84 R85 R79
45	3-RS21-033K-F0-0S	0402 33K 1/16W ±1%	1.00	R82
46	3-RS21-033R-J0-0S	0402 33Ω 1/16W ±5%	35.00	R117 R123 R124 R125 R126 R144 R146 R156 R157 R158 R159 R163 R164 R165 R166 R167 R168 R169 R170 R172 R173 R174 R175 R179 R186 R2 R29 R3 R32 R5 R6 R93 R94 R95 R96
47	3-RS21-04K7-F0-0S	0402 4K7 1/16W ±1%	5.00	R23 R24 R25 R26 R184
48	3-RS21-44R2-F0-0S	0402 44.2R 1/16W ±1%	1.00	R4
49	3-RS21-047K-F0-0S	0402 47K 1/16W ±1%	1.00	R192
50	3-RS21-510K-F0-0S	0402 510K 1/16W ±1%	1.00	R17
51	3-RS21-051K-F0-0S	0402 51K 1/16W ±1%	1.00	R66
52	3-RS21-051R-F0-00	0402 51R ±1% 1/16W	2.00	R98 R100
53	3-RS21-068K-F0-0S	0402 68K 1/16W ±1%	2.00	R83 R86
54	3-RS21-075R-F0-0S	0402 75R 1/16W ±1%	6.00	R47 R180 R181 R182 R183 R136
55	3-RS21-470R-J0-0S	0402 470Ω 1/16W ±5%	1.00	R71
56	3-RS21-0821-F0-00	0402 820R ±1% 1/16W	1.00	R145

57	3-RS31-091R-J0-0S	0603 91Ω 1/16W ±5%	1.00	R37
58	3-RN21-033R-J0-0S	0402 33R*4 1/16W ±5%	10.00	RA1 RA2 RA3 RA4 RA5 RA6 RA7 RA8 RA9 RA10
59	3-URT9-1933-3P-00	IC RT9193-33PB SOT-25 LDO 300mA RICHTEK	1.00	U14
60	3-U0XC-6228-D3-X0	IC_LDO_XC6228D302VR- G_SOT-25J_3V_TOREX	1.00	U33
61	3-URT9-1931-8P-00	IC RT9193-18PB SOT-25 LDO 300mA RICHTEK	1.00	U11
62	3-U0FN-2712-MR-0S	XC61FN2712MR_SOT23_TO REX	1.00	U5
63	3-XQ01-026M-00-20	Crystal Oscillator 26MHz +/- 10PPM 12PF SMD 3225	1.00	Y1
64	3-XQ01-028M-63-0S	Crystal Oscillator _SMD3225 _28.63636MHZ_30ppm_18pF	1.00	Y4
65	3-DX05-AT3G-00-0S	SMAJ6.0(C)A _SMA_40W	1.00	ZD1
66	3-U0MT-41K1-28-00	IC_DDR3_MT41K128M16JT- 125_FBGA96_Micron	1.00	U2
67	3-JF16-00R5-04-3R	16PIN 0.5mm SMT	1.00	CON11
68	3-CTB3-0476-54-0S	Tantalum Capacitor_B- TPYE_47uF_10V_±10%	1.00	TC3
69	3-U002-4C02-AF-9S	AT24C02A_SOP8_ATMEL	1.00	U10
70	3-RS21-0202-F0-00	0402 2K 1/16W ±1%	2.00	R147 R149
71	3-CC43-0106-4R-0S	0805 10uF 10V X5R ±10%	1.00	C14
72	3-URN5-566A-00-0S	IC_RN5T566A_QFN0606- 36pin_RICON	1.00	U3
73	3-DHXX-A104-02-0S	ESD EGA10402V05AH_5V_0402_ 0.2pf_fbetter	4.00	ESD1 ESD2 ESD3 ESD4