

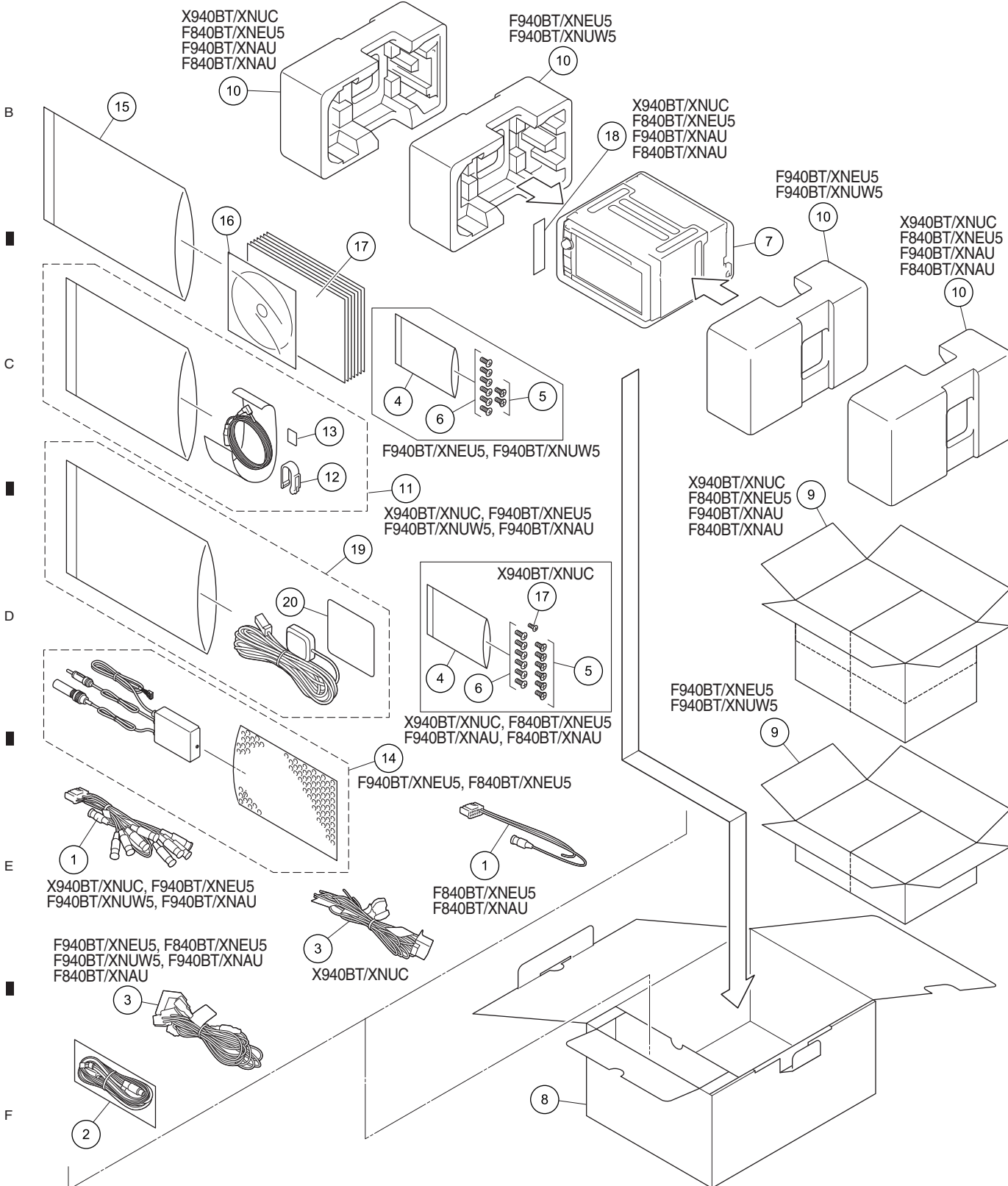


9. EXPLODED VIEWS AND PARTS LIST

NOTES : • Parts marked by " * " are generally unavailable because they are not in our Master Spare Parts List.

- The  mark found on some component parts indicates the importance of the safety factor of the part. Therefore, when replacing, be sure to use parts of identical designation.
- Screw adjacent to  mark on the product are used for disassembly.
- For the applying amount of lubricants or glue, follow the instructions in this manual.
(In the case of no amount instructions, apply as you think it appropriate.)

9.1 PACKING



(1) PACKING SECTION PARTS LIST

<u>Mark No.</u>	<u>Description</u>	<u>Part No.</u>	<u>Mark No.</u>	<u>Description</u>	<u>Part No.</u>
1	Cord Assy	See Contrast table (2)	20	Sheet	CZN8510
2	USB Extended Cable	CDP1425			
3	Cord Assy	See Contrast table (2)	21-1	Owner's Manual	See Contrast table (2)
4	Polyethylene Bag	CEG1160	21-2	Installation Manual	See Contrast table (2)
5	Screw	CRZ50P090FTC	*	21-3 Registration Card	See Contrast table (2)
			*	21-4 Registration Card	See Contrast table (2)
6	Screw	TRZ50P080FTC	*	21-5 Warranty Card	See Contrast table (2)
7	Cover	See Contrast table (2)			
8	Unit Box	See Contrast table (2)	21-6	Quick Start Guide	See Contrast table (2)
9	Contain Box	See Contrast table (2)	21-7	Quick Start Guide	See Contrast table (2)
10	Protector	See Contrast table (2)	21-8	Quick Start Guide	See Contrast table (2)
			21-9	Quick Start Guide	See Contrast table (2)
11	Microphone Assy	CPM1083	21-10	Quick Start Guide	See Contrast table (2)
12	Holder	CZN7192			
13	Cushion	CZN7193	21-11	Quick Start Guide	See Contrast table (2)
14	RDS-TMC Tuner	See Contrast table (2)	21-12	Quick Start Guide	See Contrast table (2)
15	Polyethylene Bag	CEG1116	21-13	Quick Start Guide	See Contrast table (2)
			21-14	Quick Start Guide	See Contrast table (2)
16	IM CD-ROM	See Contrast table (2)	21-15	Quick Start Guide	See Contrast table (2)
17	Screw	See Contrast table (2)			
18	Sheet	See Contrast table (2)	21-16	Quick Start Guide	See Contrast table (2)
19	GPS Antenna Assy	CXE3204			

(2) CONTRAST TABLE

AVIC-X940BT/XNUC, AVIC-F940BT/XNEU5, AVIC-F840BT/XNEU5, AVIC-F940BT/XNUW5, AVIC-F940BT/XNAU and AVIC-F840BT/XNAU are constructed the same except for the following:

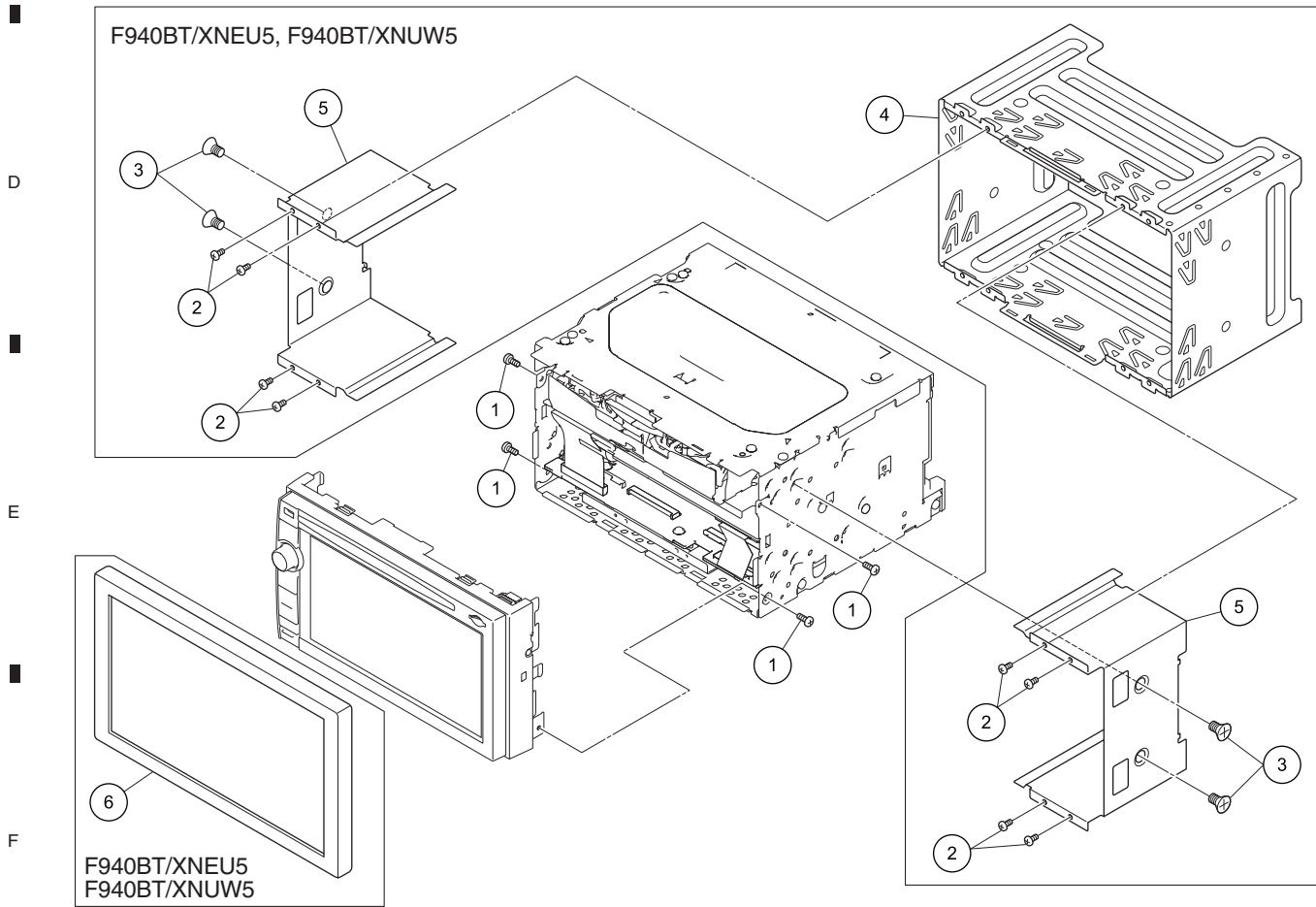
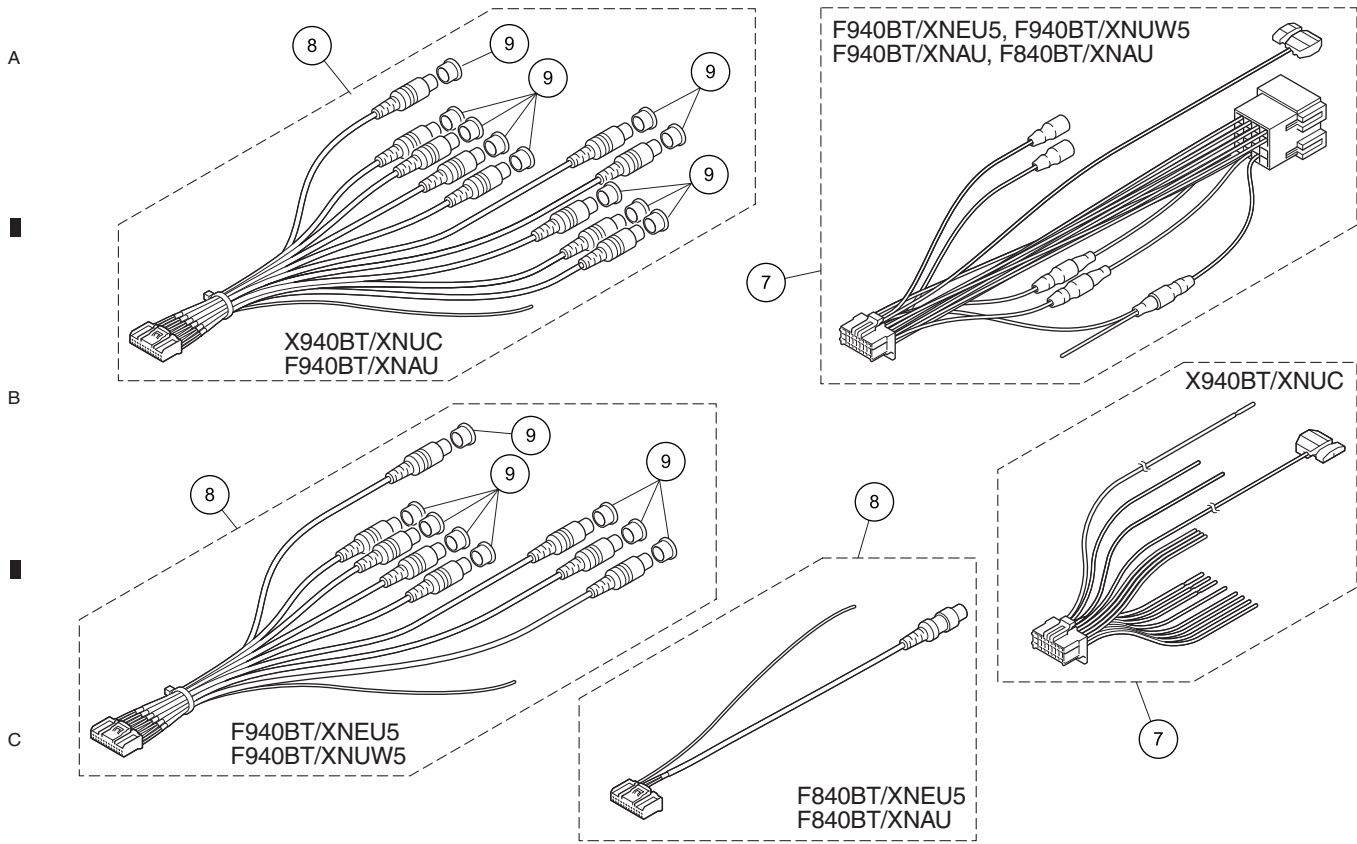
Mark	No.	Description	AVIC-X940BT/ XNUC	AVIC-F940BT/ XNEU5	AVIC-F840BT/ XNEU5	AVIC-F940BT/ XNUW5	AVIC-F940BT/ XNAU
	1	Cord Assy	CDP1375	CDP1376	CDP1460	CDP1376	CDP1375
	3	Cord Assy	CDP1479	CDP1306	Not used	CDP1306	CDP1306
	7	Cover	CEG1402	CEG1356	CEG1401	CEG1356	CEG1401
	8	Unit Box	CHG7775	CHG7777	CHG7780	CHG7778	CHG7776
	9	Contain Box	CHL7775	CHL7777	CHL7780	CHL7778	CHL7776
	10	Protector	CHP4350	CHP4349	CHP4350	CHP4349	CHP4350
	14	RDS-TMC Tuner	Not used	CXE2176	CXE2176	Not used	Not used
	16	IM CD-ROM	CPJ1376	CPJ1377	CPJ1377	CPJ1378	CPJ1376
	17	Screw	BPZ20P040FTC	Not used	Not used	Not used	Not used
	18	Sheet	CNN3437	Not used	CNN3437	Not used	CNN3437
	21-1	Owner's Manual	CRD4626	CRD4628	CRD4628	CRD4630	CRB3863
	21-2	Installation Manual	CRD4627	CRD4629	CRD4633	CRD4631	CRB3864
*	21-3	Registration Card	CRY1271	Not used	Not used	Not used	Not used
*	21-4	Registration Card	CRY1373	CRY1375	CRY1375	Not used	Not used
*	21-5	Warranty Card	QRY3001	CRY1376	CRY1376	CRY1330	Not used
	21-6	Quick Start Guide	CRB3865	Not used	Not used	Not used	Not used
	21-7	Quick Start Guide	CRB3866	Not used	Not used	Not used	Not used
	21-8	Quick Start Guide	Not used	CRB3867	CRB3867	Not used	Not used
	21-9	Quick Start Guide	Not used	CRB3868	CRB3868	Not used	Not used
	21-10	Quick Start Guide	Not used	CRB3869	CRB3869	Not used	Not used
	21-11	Quick Start Guide	Not used	CRB3870	CRB3870	Not used	Not used
	21-12	Quick Start Guide	Not used	CRB3871	CRB3871	Not used	Not used
	21-13	Quick Start Guide	Not used	CRB3872	CRB3872	Not used	Not used
	21-14	Quick Start Guide	Not used	Not used	Not used	CRB3859	Not used
	21-15	Quick Start Guide	Not used	Not used	Not used	CRB3860	Not used
	21-16	Quick Start Guide	Not used	Not used	Not used	Not used	CRB3873

Mark	No.	Description	AVIC-F840BT/ XNAU	
A	1	Cord Assy	CDP1460	
	3	Cord Assy	CDP1306	
	7	Cover	CEG1401	
	8	Unit Box	CHG7779	
	9	Contain Box	CHL7779	
	10	Protector	CHP4350	
	14	RDS-TMC Tuner	Not used	
	16	IM CD-ROM	CPJ1376	
	17	Screw	Not used	
	18	Sheet	CNN3437	
	B	21-1	Owner's Manual	CRB3863
		21-2	Installation Manual	CRB3864
		* 21-3	Registration Card	Not used
		* 21-4	Registration Card	Not used
		* 21-5	Warranty Card	Not used
		21-6	Quick Start Guide	Not used
		21-7	Quick Start Guide	Not used
		21-8	Quick Start Guide	Not used
21-9		Quick Start Guide	Not used	
21-10		Quick Start Guide	Not used	
C		21-11	Quick Start Guide	Not used
		21-12	Quick Start Guide	Not used
		21-13	Quick Start Guide	Not used
		21-14	Quick Start Guide	Not used
		21-15	Quick Start Guide	Not used
		21-16	Quick Start Guide	CRB3873

Owner's Manual, Installation Manual

Part No.	Language
CRD4626	English, French
CRD4627	English, French
CRD4628	English(Great Britain), French, Italian, Spanish(Espanol), German, Dutch
CRD4629	English(Great Britain), French, Italian, Spanish(Espanol), German, Dutch
CRD4630	English(Great Britain), Russian
CRD4631	English(Great Britain), Russian
CRD4633	English(Great Britain), French, Italian, Spanish(Espanol), German, Dutch
CRB3859	English(Great Britain)
CRB3860	Russian
CRB3863	English(Great Britain)
CRB3864	English(Great Britain)
CRB3865	English
CRB3866	French
CRB3867	English(Great Britain)
CRB3868	French
CRB3869	Italian
CRB3870	Spanish(Espanol)
CRB3871	German
CRB3872	Dutch
CRB3873	English(Great Britain)

9.2 EXTERIOR (1)



(1) EXTERIOR (1) SECTION PARTS LIST

<u>Mark No.</u>	<u>Description</u>	<u>Part No.</u>	<u>Mark No.</u>	<u>Description</u>	<u>Part No.</u>
1	Screw	BSZ26P060FTC	6	Panel	See Contrast table (2)
2	Screw	See Contrast table (2)	7	Cord Assy	See Contrast table (2)
3	Screw	See Contrast table (2)	8	Cord Assy	See Contrast table (2)
4	Holder	See Contrast table (2)	9	Cap	See Contrast table (2)
5	Holder	See Contrast table (2)			

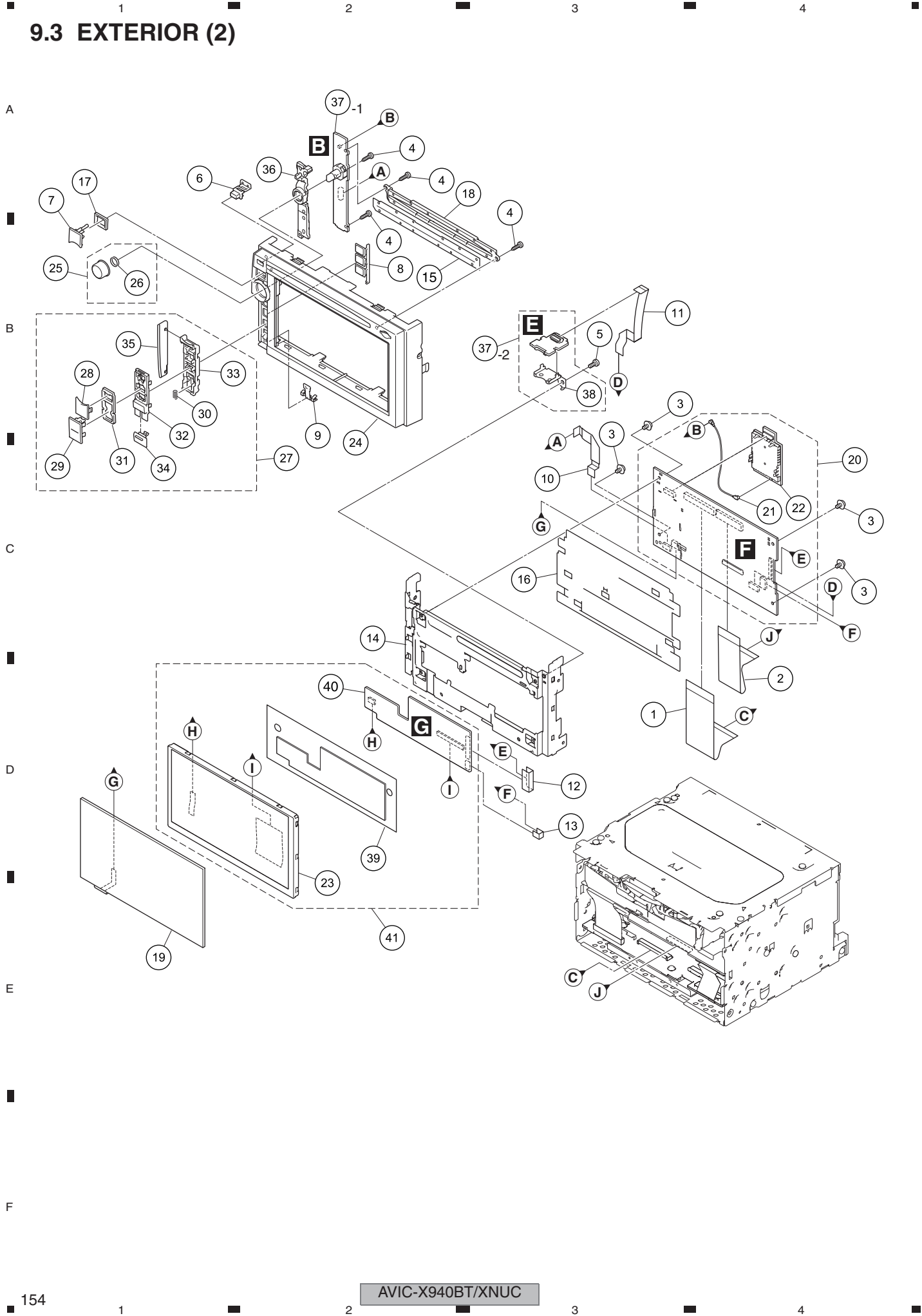
(2) CONTRAST TABLE

AVIC-X940BT/XNUC, AVIC-F940BT/XNEU5, AVIC-F840BT/XNEU5, AVIC-F940BT/XNUW5, AVIC-F940BT/XNAU and AVIC-F840BT/XNAU are constructed the same except for the following:

Mark	No.	Description	AVIC-X940BT/ XNUC	AVIC-F940BT/ XNEU5	AVIC-F840BT/ XNEU5	AVIC-F940BT/ XNUW5	AVIC-F940BT/ XNAU
	2	Screw	Not used	BMZ30P060FTC	Not used	BMZ30P060FTC	Not used
	3	Screw	Not used	CRZ50P090FTC	Not used	CRZ50P090FTC	Not used
	4	Holder	Not used	CND3430	Not used	CND3430	Not used
	5	Holder	Not used	CND3431	Not used	CND3431	Not used
	6	Panel	Not used	CNS8665	Not used	CNS8665	Not used
	7	Cord Assy	CDP1479	CDP1306	CDP1306	CDP1306	CDP1306
	8	Cord Assy	CDP1375	CDP1376	CDP1460	CDP1376	CDP1375
	9	Cap	CNW1490	CNW1490	Not used	CNW1490	CNW1490

Mark	No.	Description	AVIC-F840BT/ XNAU
	2	Screw	Not used
	3	Screw	Not used
	4	Holder	Not used
	5	Holder	Not used
	6	Panel	Not used
	7	Cord Assy	CDP1306
	8	Cord Assy	CDP1460
	9	Cap	Not used

9.3 EXTERIOR (2)



(1) EXTERIOR (2) SECTION PARTS LIST

<u>Mark No.</u>	<u>Description</u>	<u>Part No.</u>	<u>Mark No.</u>	<u>Description</u>	<u>Part No.</u>
1	FPC	CNQ4273	22	BT Module	CWX4254
2	FPC	CNQ4274	23	TFT LCD	CWX4028
3	Screw	AMZ20P040FTC	24	Grille Unit	See Contrast table (2)
4	Screw	BPZ20P080FTC	25	Knob Unit	CXE3932
5	Screw	BSZ26P060FTC			
6	Button (EJECT)	CAI3301	26	Spring	YBL5010
7	Button (HOME)	CAI3302	27	Detach Grille Assy	See Contrast table (2)
8	Button	CAI3304	28	Button (MUTE, MODE)	See Contrast table (2)
9	Plate Spring	CBL1823	29	Button (TRK)	CAI3306
10	FFC	CDE9394	30	Coil Spring	CBH3091
11	FFC	CDE9395	31	Cushion	CNN3549
12	FFC	CDE9627	32	Grille	CNU1519
13	FFC	CDE9629	33	Cover	CNU1520
14	Holder	CND6339	34	Lever	CNW2115
15	Cover	CNN3240	35	Plate Unit	CXE3997
16	Insulator	CNN3975	36	Lighting Conductor Unit	CXE4567
17	Cushion	CNN3548	37	IF Unit	See Contrast table (2)
18	Holder	CNW2114	38	Holder	CND5945
19	Touch Panel	CSX1164	39	Insulator	CNN3976
20	CC Monitor Unit (Service)	See Contrast table (2)	40	LCD-IF Unit	CWN6419
21	Cord Assy	CDE9389	41	TFT LCD Assy	CXE5253

(2) CONTRAST TABLE

AVIC-X940BT/XNUC, AVIC-F940BT/XNEU5, AVIC-F840BT/XNEU5, AVIC-F940BT/XNUW5, AVIC-F940BT/XNAU and AVIC-F840BT/XNAU are constructed the same except for the following:

Mark	No.	Description	AVIC-X940BT/ XNUC	AVIC-F940BT/ XNEU5	AVIC-F840BT/ XNEU5	AVIC-F940BT/ XNUW5	AVIC-F940BT/ XNAU
	20	CC Monitor Unit (Service)	CXX4255	CXX4256	CXX4259	CXX4257	CXX4258
	24	Grille Unit	CXE5325	CXE5326	CXE5327	CXE5326	CXE5326
	27	Detach Grille Assy	CXE3996	CXE3996	CXE3996	CXE4275	CXE4275
	28	Button (MUTE, MODE)	CAI3305	CAI3305	CAI3305	CAI3307	CAI3307
	37	IF Unit	CWN6412	CWN6413	CWN6416	CWN6414	CWN6415

Mark	No.	Description	AVIC-F840BT/ XNAU
	20	CC Monitor Unit (Service)	CXX4260
	24	Grille Unit	CXE5327
	27	Detach Grille Assy	CXE4275
	28	Button (MUTE, MODE)	CAI3307
	37	IF Unit	CWN6417

9.4 EXTERIOR (3)

1

2

3

4

A

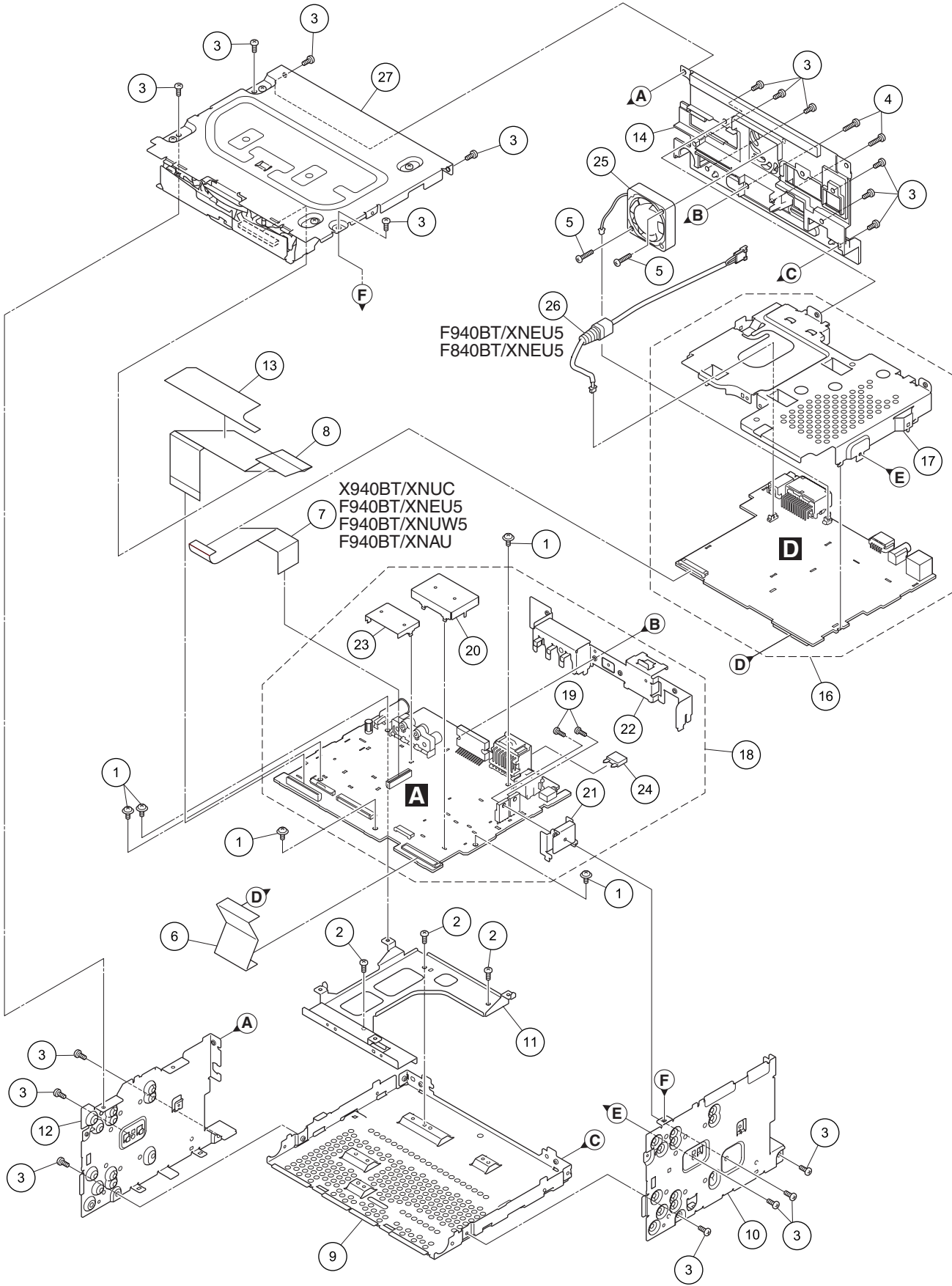
B

C

D

E

F



F940BT/XNEU5
F840BT/XNEU5

X940BT/XNUC
F940BT/XNEU5
F940BT/XNUW5
F940BT/XNAU

AVIC-X940BT/XNUC

1

2

3

4

(1) EXTERIOR (3) SECTION PARTS LIST

<u>Mark No.</u>	<u>Description</u>	<u>Part No.</u>	<u>Mark No.</u>	<u>Description</u>	<u>Part No.</u>
1	Screw	ASZ26P060FTC	15	
2	Screw	BSZ26P050FTC	16	IF Unit	See Contrast table (2)
3	Screw	BSZ26P060FTC	17	Holder	See Contrast table (2)
4	Screw	BSZ26P160FTC	18	AV Unit	See Contrast table (2)
5	Screw (M2.6 x 14)	CBA2103	19	Screw	BSZ26P060FTC
6	FFC	CDE9384	20	Shield	CND4926
7	FFC	See Contrast table (2)	21	Holder	CND5834
8	FFC	CDE9631	22	Holder	See Contrast table (2)
9	Chassis	CNA3210	23	Shield	CND5938
10	Bracket	CND5925	24	Fuse (10 A)	YEK5001
11	Bracket	CND5932	25	Fan Motor	CXM1441
12	Bracket	See Contrast table (2)	26	Cord Assy	See Contrast table (2)
13	Insulator	CNN3974	27	DVD Mechanism Module (LS2)	CXK8006
14	Heat Sink	CNR2097			

(2) CONTRAST TABLE

AVIC-X940BT/XNUC, AVIC-F940BT/XNEU5, AVIC-F840BT/XNEU5, AVIC-F940BT/XNUW5, AVIC-F940BT/XNAU and AVIC-F840BT/XNAU are constructed the same except for the following:

Mark	No.	Description	AVIC-X940BT/ XNUC	AVIC-F940BT/ XNEU5	AVIC-F840BT/ XNEU5	AVIC-F940BT/ XNUW5	AVIC-F940BT/ XNAU
	7	FFC	CDE9385	CDE9385	Not used	CDE9385	CDE9385
	12	Bracket	CND6352	CND6341	CND6341	CND6352	CND6352
	16	IF Unit	CWN6412	CWN6413	CWN6416	CWN6414	CWN6415
	17	Holder	CND5939	CND5939	CND5939	CND6053	CND5939
	18	AV Unit	CWN6406	CWN6407	CWN6410	CWN6408	CWN6409
	22	Holder	CND5934	CND5935	CND5935	CND5934	CND5935
	26	Cord Assy	Not used	CDE9388	CDE9388	Not used	Not used

Mark	No.	Description	AVIC-F840BT/ XNAU
	7	FFC	Not used
	12	Bracket	CND6352
	16	IF Unit	CWN6417
	17	Holder	CND5939
	18	AV Unit	CWN6411
	22	Holder	CND5935
	26	Cord Assy	Not used

9.5 DVD MECHANISM MODULE (1)

1

2

3

4

A

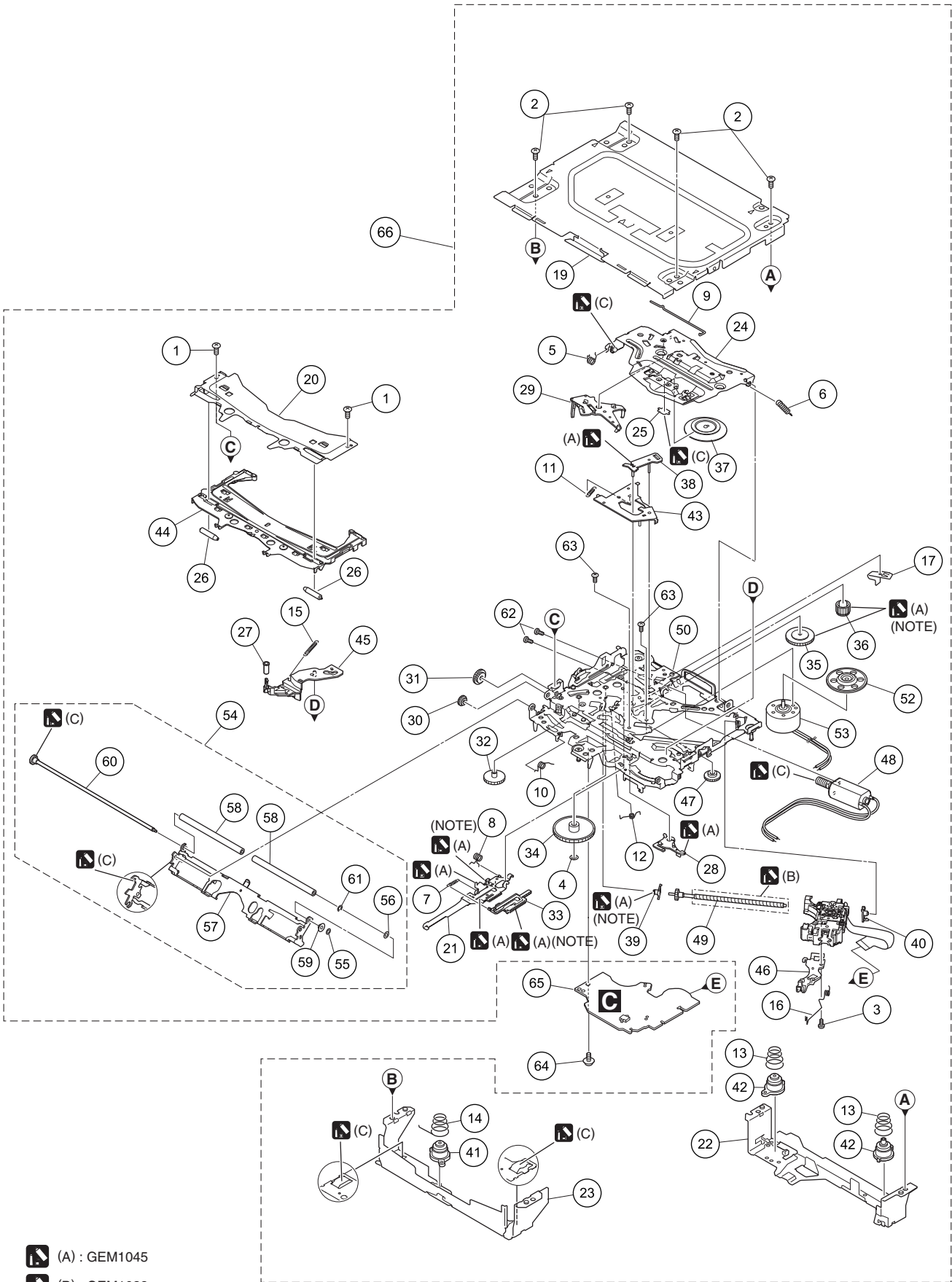
B

C

D

E

F



- (A) : GEM1045
- (B) : GEM1038
- (C) : GEM1024

(NOTE) Apply grease to the whole part.

1

2

3

4

DVD MECHANISM MODULE SECTION PARTS LIST

<u>Mark No.</u>	<u>Description</u>	<u>Part No.</u>	<u>Mark No.</u>	<u>Description</u>	<u>Part No.</u>
1	Screw	BSZ20P040FTC	* 50	Chassis Unit	CXE4047
2	Screw	BSZ26P060FTC			
3	Screw (M2 x 4)	CBA1835	51	*****	
4	Washer	CBF1038	* 52	Support Wheel	CNW2052
5	Spring	CBH2855	* 53	Spindle Motor(M2)(SPINDLE)	EXM2002
			54	Arm Assy	CXE5027
6	Spring	CBH2860	55	Washer	CBF1037
7	Spring	CBH3010			
8	Spring	CBH3011	56	Washer	CBF1038
9	Spring	CBH3014	57	Arm	CND6242
10	Spring	CBH3015	58	Roller	CNW1196
			59	Collar	CNW2444
11	Spring	CBH3016	60	Gear Unit	CXC8893
12	Spring	CBH3017			
13	Spring	CBH3019	61	Washer	YE15FTC
14	Spring	CBH3086	62	Screw	JFZ20P025FTC
15	Spring	CBH3095	63	Screw	JGZ17P020FTC
			64	Screw (M2 x 5)	EBA1028
16	Spring	CBH3096	65	DVD Core Unit	YWX5033
17	Plate Spring	CBL1824			
18	*****		66	Mechanism Unit(Service)	CXX4546
19	Case	CNB3761			
20	Bracket	CND4553			
21	Lever	CND5398			
22	Bracket	CND5710			
23	Bracket	CND6127			
24	Arm	CND6406			
25	Sheet	CNN3678			
26	Roller	CNW1172			
27	Roller	CNW1175			
28	Arm	CNW1177			
29	Arm	CNW1178			
30	Gear	CNW1180			
31	Gear	CNW1181			
32	Gear	CNW1183			
33	Rack	CNW1184			
34	Gear	CNW1185			
35	Gear	CNW1186			
36	Gear	CNW1187			
37	Clamper	CNW1190			
38	Arm	CNW1192			
39	Holder	CNW1193			
40	Holder	CNW1194			
41	Damper	CNW1197			
42	Damper	CNW1198			
43	Arm	CNW1726			
44	Guide	CNW2240			
45	Arm	CNW2241			
46	Rack	CNW2265			
47	Gear	CNW2287			
48	Motor Unit(M1)(CRG(L/E))	CXC4026			
49	Screw Unit	CXC8894			

12. ELECTRICAL PARTS LIST

NOTE:

- Parts whose parts numbers are omitted are subject to being not supplied.
- The part numbers shown below indicate chip components.

Chip Resistor

RS1/○S○○○○J,RS1/○○S○○○○J

Chip Capacitor (except for CQS.....)

CKS....., CCS....., CSZS.....

- The \triangle mark found on some component parts indicates the importance of the safety factor of the part. Therefore, when replacing, be sure to use parts of identical designation.
- Meaning of the figures and others in the parentheses in the parts list.

Example) IC 301 is on the point (face A, 91 of x-axis, and 111 of y-axis) of the corresponding PC board.

IC 301 (A, 91, 111) IC NJM2068V

- The expression of the unit in this manual is shown by u instead of μ . Please do not make a mistake.

<u>Circuit Symbol and No.</u>	<u>Part No.</u>	<u>Circuit Symbol and No.</u>	<u>Part No.</u>
A:AVIC-X940BT/XNUC		: CXX4258(E)	
B:AVIC-F940BT/XNEU5		: CXX4260(F)	
C:AVIC-F840BT/XNEU5		Unit Name : CC Monitor Unit(Service)	
D:AVIC-F940BT/XNUW5		Unit Number : CWN6419	
E:AVIC-F940BT/XNAU		Unit Name : LCD-IF Unit	
F:AVIC-F840BT/XNAU			

- Unit Number : CWN6406(A)
- : CWN6407(B)
- : CWN6410(C)
- : CWN6408(D)
- : CWN6409(E)
- : CWN6411(F)

Unit Name : AV Unit

- Unit Number : CWN6412(A)
- : CWN6413(B)
- : CWN6416(C)
- : CWN6414(D)
- : CWN6415(E)
- : CWN6417(F)

Unit Name : IF Unit

Unit Number : YWX5033

Unit Name : DVD Core Unit

- Unit Number : CXX4255(A)
- : CXX4256(B)
- : CXX4259(C)
- : CXX4257(D)

A

- Unit Number : CWN6406(A)
- : CWN6407(B)
- : CWN6410(C)
- : CWN6408(D)
- : CWN6409(E)
- : CWN6411(F)

Unit Name : AV Unit

MISCELLANEOUS

IC 1051	(A,89,128) IC	PA2030A
IC 1091	(B,162,108) IC	S-1200B33-M5
IC 1111	(B,155,100) IC	BD3931FP
IC 1161	(A,164,87) IC	NJM2388F84
IC 1171	(A,164,98) IC	NJM2388F84
IC 1201	(B,150,45) IC	LTC3850IGN
IC 1241	(A,149,84) Regulator IC	BD9781HFP
IC 1281	(A,121,76) IC	LT3505EDD
IC 1301	(B,72,38) IC	S-80929CNMC-G8Z
IC 1302	(A,95,52) IC(A)	PEQ004A8
	(A,95,52) IC(B,C,D)	PEQ005A8
	(A,95,52) IC(E,F)	PEQ006A8
IC 1303	(B,108,46) IC	S-93C56BD01-I8
IC 1471	(B,165,67) IC	NJM2904M
IC 1511	(B,81,63) IC	TC74VHCT541AFK
IC 1621	(A,62,31) IC	NJM2125F
IC 1641	(B,103,83) IC	BA4558RFVM
IC 1691	(B,83,85) IC	AK4223VQ

5		6		7		8	
<u>Circuit Symbol and No.</u>		<u>Part No.</u>		<u>Circuit Symbol and No.</u>		<u>Part No.</u>	
IC 1761	(B,83,101) IC	PML020A		D 1241	(A,154,75) Diode	RB050L-40	
IC 1831	(B,152,110) IC(A,D)	HA12241FP		D 1242	(A,95,93) Diode	RB051LA-40	
IC 1941	(A,30,52) Regulator IC	NJM2846DL3-05		D 1281	(A,119,73) Diode	KDS160	
IC 2001	(A,46,73) IC	TDA7706		D 1282	(A,126,74) Diode	RB160M-40	
IC 2221	(A,104,28) IC	S-1167B30-M5		D 1301	(A,74,44) Diode	RB501V-40	A
IC 2222	(A,106,20) Sensor	CSX1149		D 1302	(A,74,43) Diode	RB751S-40	
IC 2223	(B,107,21) IC	ADS7828E		D 1471	(B,172,66) Diode	KDS160	
Q 1011	(B,118,142) Transistor	2SC4081		D 1501	(B,121,56) Diode	UDZS8R2(B)	
Q 1012	(B,121,142) Transistor	2SC4081		D 1504	(B,99,57) Diode	KDS121	
Q 1031	(B,132,143) Transistor	2SA1576A		D 1521	(B,23,9) Diode	DAP202U	
Q 1101	(A,164,107) Transistor	2SA1576A		D 1621	(A,56,27) Diode	UDZS4R3(B)	
Q 1102	(A,161,107) Chip Transistor	DTC114EUA		D 1751	(B,64,60) Diode(A,E)	DAN202U	
Q 1121	(A,158,108) Transistor	2SA1576A		D 1861	(B,167,8) Diode	RKZ3.6KG(B2)	
Q 1122	(A,157,111) Chip Transistor	DTC114EUA		D 2001	(A,55,89) Diode	KP2311E	
Q 1131	(A,153,102) Transistor	KTC801U		D 2002	(A,55,82) Diode	KP2311E	B
Q 1141	(B,104,138) Chip Transistor	DTC114EUA		L 1001	(A,123,106) Choke Coil 600 uH	CTH1221	
Q 1151	(B,56,124) Transistor	2SC4081		L 1202	(A,147,52) Choke Coil 4.7 uH	CTH1480	
Q 1181	(A,77,119) Chip Transistor	DTC114EUA		L 1203	(A,148,36) Choke Coil 6.8 uH	CTH1481	
Q 1191	(B,58,119) Transistor	KRX201U		L 1241	(A,144,70) Inductor	CTH1254	
Q 1204	(A,157,34) FET	SP8K10S		L 1242	(A,123,84) Choke Coil 10 uH	CTH1486	
Q 1205	(A,156,54) FET	SP8K10S		L 1281	(A,123,69) Inductor	BTH1112	
Q 1302	(A,112,59) Transistor	2SA1576A		L 1304	(A,100,34) Ferrite Bead	CTF1528	
Q 1471	(B,161,70) Chip Transistor	DTC114EUA		L 1309	(A,111,69) Inductor	LCTAW2R2J2520	
Q 1472	(B,168,56) Chip Transistor	DTC114EUA		L 1691	(A,89,93) Chip Coil	LCTAW100J2520	
Q 1501	(B,118,53) Transistor	2SC4081		L 1692	(A,86,94) Chip Coil	LCTAW100J2520	
Q 1521	(B,45,10) Transistor	KRX201U		L 1831	(B,148,114) Inductor(A,D)	LCYC2R2K1608	C
Q 1522	(B,27,10) Transistor	IMH23		L 2001	(A,56,85) Chip Coil	LCTAWR15J2520	
Q 1662	(B,111,85) Transistor	KRX201U		L 2002	(A,48,84) Inductor	CTF1786	
Q 1664	(B,111,88) Transistor	DTC623TU		L 2003	(A,44,85) Inductor	CTF1786	
Q 1751	(B,65,66) Chip Transistor(A,E)	HN1C03FU		L 2004	(A,52,86) Chip Coil	LCTAWR27J2520	
Q 1752	(B,60,61) Transistor(A,E)	KRX201U		L 2005	(A,38,86) Inductor	CTF1389	
Q 1753	(B,67,60) Chip Digital Transistor(A,E)	DTA124EUA		L 2008	(A,35,84) Inductor	LCTAW220J2520	
Q 1793	(B,40,117) Chip Transistor	HN1C03FU		L 2009	(A,59,78) Inductor	CTF1786	
Q 1801	(B,35,118) Chip Digital Transistor	DTA124EUA		L 2010	(A,59,77) Inductor	CTF1786	
Q 1831	(B,141,123) Chip Transistor(A,D)	DTC114EUA		L 2011	(A,34,76) Chip Coil	LCTAW470J2520	
Q 1832	(B,140,127) Transistor(A,D)	2SA1576A		L 2012	(A,37,72) Inductor	CTF1786	
Q 1861	(B,161,7) Transistor	PUMF12		L 2014	(A,43,63) Inductor	CTF1786	D
Q 1862	(B,161,11) Transistor	2SA1576A		L 2015	(A,55,65) Inductor	CTF1786	
Q 1863	(B,157,10) Transistor	PUMF12		L 2018	(A,51,62) Inductor	CTF1786	
Q 1864	(B,161,14) Transistor	2SA1576A		L 2020	(A,36,82) Inductor	LCYB68NJ1608	
Q 1865	(B,156,14) Chip Transistor	DTA114EUA		L 2021	(A,52,83) Inductor	CTF1794	
Q 1866	(B,161,17) Chip Transistor	2SD2114K		L 2070	(B,40,90) Inductor(A)	LCYB4N7S1608	
Q 2441	(A,160,26) Transistor	IMH23		L 2224	(B,100,26) Chip Ferrite Bead	OTL8019	
Q 2442	(A,156,26) Transistor	KRX202U		L 2351	(B,160,114) Chip EMI Filter	DTF1106	
D 1001	(A,120,120) Diode	CRG03		X 1301	(A,96,34) Resonator 15 000 kHz	CSS1781	
D 1002	(A,120,122) Diode	CRG03		X 2001	(A,58,70) Resonator 36.480 MHz	CSS1805	
D 1012	(B,119,139) Diode	RKZ5.6KG(B2)		F 1201	(A,162,55) EMI Filter	CCG1267	
D 1031	(B,135,141) Diode	KDS160		F 1202	(B,135,38) EMI Filter	CCG1267	E
D 1042	(B,127,140) Diode	1SR154-400		F 1203	(B,133,51) EMI Filter	CCG1267	
D 1051	(B,61,130) Diode	1SR154-400		F 1241	(A,98,93) EMI Filter	CCG1267	
D 1052	(B,61,127) Diode	1SR154-400		△ P1201	(A,169,56) Fuse 3.15 A	CEK1259	
D 1072	(B,118,117) Diode	RF501B2S		△ P1242	(A,136,16) Fuse 250 mA	CEK1276	
D 1131	(A,149,94) Diode	HZU7R5(B3)		△ P1243	(A,96,99) Fuse 5 A	CEK1261	
D 1132	(A,149,101) Diode	RKZ20KG(B2)		△ P1291	(A,67,30) Fuse 1 A	CEK1254	
D 1133	(A,149,96) Diode	KDS160		P 1891	(B,61,115) Poly Switch	FSMD075-24R	
D 1134	(A,149,98) Diode	KDS160		P 1892	(B,55,115) Poly Switch	FSMD075-24R	
D 1141	(B,111,141) Diode	KDS160		P 2061	(B,20,95) Surge Absorber	IMSA-6803-01Y900	
D 1151	(B,54,127) Diode	UDZS6R8(B)		P 2441	(A,165,25) Poly Switch	FSMD050-R	F
D 1202	(B,158,41) Diode	RB160M-40		GY2221	(A,99,20) Sensor	CSX1147	
D 1203	(B,158,51) Diode	RB160M-40		CN1521	(A,33,7) Connector	VKN1620	
				CN1851	(A,74,66) Connector(A,B,D,E)	VKN1610	

1

2

3

4

Circuit Symbol and No.**Part No.****Circuit Symbol and No.****Part No.**

CN2301	(A,75,20) Connector	CKS6118
CN2401	(A,151,9) Connector	CKS5732
JA1001	(A,121,135) Plug	CKM1550
JA1831	(A,150,125) Connector(A,D)	CKS5271
JA1891	(A,48,106) Pin Jack	CKB1100
JA2061	(A,13,117) Antenna Jack	CKX1070
JA2351	(A,166,130) Jack	CKN1018
SN2221	(A,110,15) Sensor	S-58LM20A-N4

R 1218	(B,164,38)	RS1/16SS103J
R 1219	(B,153,36)	RS1/16SS0R0J
R 1220	(B,161,41)	RS1/16SS104J
R 1221	(B,157,40)	RS1/10SR100J
R 1222	(B,156,51)	RS1/10SR100J
R 1226	(B,159,44)	RS1/10SR2R2J
R 1227	(A,140,56) 0.027 ohm	CCN1338
R 1228	(A,141,32) 0.027 ohm	CCN1338
R 1229	(A,163,50)	RS1/8SQ0R0J
R 1230	(B,139,36)	RS1/4SA0R0J

RESISTORS

R 1011	(B,118,141)	RS1/16SS473J
R 1012	(B,116,137)	RS1/16SS104J
R 1013	(B,120,141)	RS1/16SS473J
R 1014	(B,123,139)	RS1/16SS472J
R 1015	(B,119,137) 1 kohm	CCN1326

R 1231	(B,137,51)	RS1/4SA0R0J
R 1232	(B,135,41)	RS1/4SA221J
R 1233	(B,135,47)	RS1/4SA221J
R 1234	(B,155,40)	RS1/10SR0R0J
R 1235	(B,160,39)	RS1/10SR0R0J

R 1031	(B,130,141)	RS1/16SS102J
R 1032	(B,131,141)	RS1/16SS103J
R 1033	(B,133,141)	RS1/16SS153J
R 1034	(B,136,138) 10 kohm	CCN1327
R 1041	(B,129,136)	RS1/10SR0R0J

R 1236	(B,160,51)	RS1/10SR0R0J
R 1237	(B,155,51)	RS1/10SR0R0J
R 1241	(B,151,71)	RS1/10SR0R0J
R 1242	(B,153,71)	RS1/10SR6802D
R 1243	(B,153,74)	RS1/10SR3001D

R 1071	(B,112,120)	RS1/10SR473J
R 1072	(B,109,116)	RS1/4S0R0J
R 1073	(B,109,111)	RS1/4S0R0J
R 1074	(B,144,94)	RS1/4SA0R0J
R 1091	(B,162,106)	RS1/16SS472J

R 1244	(B,152,77)	RS1/10SR1002D
R 1246	(B,150,74)	RS1/10SR333J
R 1247	(B,147,80)	RS1/10SR1003D
R 1248	(B,149,80)	RS1/10SR1002D
R 1250	(B,155,76)	RS1/10SR102J

R 1101	(A,163,109)	RS1/16SS473J
R 1102	(A,162,105)	RS1/16SS222J
R 1103	(A,164,105)	RS1/16SS222J
R 1122	(A,155,112)	RS1/16SS472J
R 1123	(A,155,110)	RS1/16SS472J

R 1281	(B,120,71)	RS1/16SS0R0J
R 1282	(B,120,73)	RS1/10SR1303D
R 1283	(B,120,76)	RS1/16SS2402D
R 1285	(B,119,77)	RS1/16SS2002D
R 1286	(B,119,72)	RS1/16SS223J

R 1131	(A,152,100)	RS1/16SS473J
R 1132	(A,148,104)	RS1/16SS103J
R 1133	(A,153,100)	RS1/10SR473J
R 1134	(A,148,103)	RS1/16SS103J
R 1141	(B,110,141)	RS1/16SS103J

R 1287	(A,140,112)	RS1/4SA0R0J
R 1291	(B,61,15)	RS1/4SA0R0J
R 1309	(A,111,45)	RS1/16SS471J
R 1310	(B,107,51)	RS1/16SS104J
R 1316	(A,116,48)	RS1/16SS104J

R 1143	(B,115,141) 1 kohm	CCN1326
R 1151	(B,51,124)	RS1/16SS223J
R 1152	(B,50,124)	RS1/16SS223J
R 1153	(B,56,131) 1 kohm	CCN1326
R 1154	(B,53,130)	RS1/16SS562J

R 1317	(A,109,52)	RS1/16SS101J
R 1318	(A,109,53)	RS1/16SS102J
R 1319	(B,109,51)	RS1/16SS104J
R 1320	(B,106,57)	RS1/16SS104J
R 1321	(A,109,58)	RS1/16SS0R0J

R 1162	(A,167,81)	RS1/16SS0R0J
R 1172	(A,170,93)	RS1/16SS0R0J
R 1181	(A,75,121)	RS1/16SS103J
R 1182	(A,75,119)	RS1/16SS103J
R 1194	(B,62,62)	RS1/10SR0R0J

R 1326	(B,92,68)	RS1/16SS104J
R 1327	(A,87,69)	RS1/16SS472J
R 1328	(A,88,69)	RS1/16SS472J
R 1329	(A,108,38)	RS1/16SS0R0J
R 1332	(A,79,52)	RS1/16SS0R0J
R 1334	(B,80,43) (A,B,D,E)	RS1/16SS473J

R 1201	(B,144,49)	RS1/10SR7502D
R 1202	(B,141,43)	RS1/10SR2402D
R 1203	(B,139,48)	RS1/10SR682J
R 1204	(B,141,46)	RS1/10SR6802D
R 1205	(B,139,41)	RS1/10SR682J

R 1336	(A,108,42)	RS1/16SS0R0J
R 1337	(A,108,44)	RS1/16SS0R0J
R 1338	(A,106,40)	RS1/16SS0R0J
R 1339	(B,102,38)	RS1/16SS561J
R 1342	(A,105,39)	RS1/16SS561J

R 1206	(B,144,47)	RS1/10SR1503D
R 1207	(B,144,42)	RS1/10SR1303D
R 1208	(B,143,49)	RS1/10SR0R0J
R 1209	(B,143,39)	RS1/10SR0R0J
R 1210	(B,147,52)	RS1/16SS100J

R 1352	(B,104,40)	RS1/16SS562J
R 1353	(A,105,71)	RS1/16SS562J
R 1354	(B,108,44)	RS1/16SS473J
R 1355	(A,111,51)	RS1/16SS104J
R 1356	(B,108,48)	RS1/16SS473J

R 1211	(B,147,37)	RS1/16SS100J
R 1212	(B,148,52)	RS1/16SS100J
R 1213	(B,148,37)	RS1/16SS100J
R 1214	(B,150,51)	RS1/16SS104J
R 1215	(B,149,34)	RS1/16SS0R0J

R 1357	(A,117,51) (A,D)	RS1/16SS472J
R 1358	(A,117,49)	RS1/16SS472J
R 1359	(B,113,60)	RS1/16SS473J
R 1360	(A,116,46)	RS1/16SS104J

1

2

3

4

5		6		7		8	
<u>Circuit Symbol and No.</u>		<u>Part No.</u>		<u>Circuit Symbol and No.</u>		<u>Part No.</u>	
R 1362	(A,107,38)	RS1/16SS471J		R 1433	(A,82,60)	RS1/16SS471J	
R 1363	(A,109,38)	RS1/16SS101J		R 1434	(A,80,61)	RS1/16SS102J	
R 1364	(A,114,49)	RS1/16SS681J		R 1435	(A,80,62)	RS1/16SS102J	
R 1365	(A,114,51) (A,D)	RS1/16SS101J		R 1436	(B,76,61)	RS1/16SS104J	A
R 1366	(A,111,52)	RS1/16SS102J		R 1437	(A,79,38)	RS1/16SS182J	
R 1369	(A,109,62)	RS1/16SS681J		R 1438	(B,77,53)	RS1/16SS124J	
R 1370	(A,107,62) (A,D)	RS1/16SS471J		R 1439	(A,78,38)	RS1/16SS392J	
R 1371	(A,107,41)	RS1/16SS101J		R 1441	(A,77,38)	RS1/16SS392J	
R 1373	(B,75,36)	RS1/16SS102J		R 1442	(B,79,50)	RS1/16SS104J	
R 1375	(B,97,66)	RS1/16SS473J		R 1445	(B,90,41)	RS1/16SS0R0J	
R 1376	(B,98,62) (A,B,C,E,F)	RS1/16SS473J		R 1451	(A,78,53)	RS1/16SS0R0J	
R 1377	(B,96,68)	RS1/16SS104J		R 1452	(A,78,45)	RS1/16SS0R0J	
R 1378	(B,74,35)	RS1/16SS104J		R 1453	(A,89,67)	RS1/16SS0R0J	
R 1379	(B,102,43)	RS1/16SS221J		R 1454	(A,111,46)	RS1/16SS182J	
R 1380	(A,102,67)	RS1/16SS102J		R 1455	(A,111,48)	RS1/16SS182J	B
R 1381	(A,101,67)	RS1/16SS102J		R 1457	(B,87,36)	RS1/16SS101J	
R 1382	(A,100,67)	RS1/16SS221J		R 1458	(B,82,36)	RS1/16SS101J	
R 1383	(A,102,34)	RS1/16SS473J		R 1459	(B,85,53)	RS1/16SS0R0J	
R 1384	(A,112,56)	RS1/10SR473J		R 1460	(B,84,52)	RS1/16SS104J	
R 1385	(A,112,54)	RS1/10SR472J		R 1461	(B,87,33)	RS1/16SS102J	
R 1387	(A,96,67)	RS1/16SS221J		R 1462	(B,86,33)	RS1/16SS0R0J	
R 1388	(A,85,37)	RS1/16SS122J		R 1471	(B,164,71)	RS1/16SS104J	
R 1389	(B,89,38)	RS1/16SS103J		R 1472	(B,169,69)	RS1/16SS473J	
R 1390	(A,95,38)	RS1/16SS561J		R 1473	(B,168,69)	RS1/16SS563J	
R 1391	(A,83,36)	RS1/16SS473J		R 1474	(B,168,67)	RS1/16SS513J	C
R 1392	(A,92,35)	RS1/16SS473J		R 1475	(B,169,67)	RS1/16SS104J	
R 1393	(A,93,35)	RS1/16SS472J		R 1476	(B,169,65)	RS1/16SS513J	
R 1394	(A,87,36)	RS1/16SS122J		R 1477	(B,167,62)	RS1/16SS513J	
R 1395	(A,81,36)	RS1/16SS182J		R 1478	(B,170,65)	RS1/16SS102J	
R 1396	(A,95,67)	RS1/16SS221J		R 1479	(B,168,63)	RS1/16SS102J	
R 1398	(A,92,67)	RS1/16SS681J		R 1480	(B,169,64)	RS1/16SS564J	
R 1399	(A,91,67)	RS1/16SS681J		R 1481	(B,170,69)	RS1/16SS202J	
R 1400	(A,90,67)	RS1/16SS681J		R 1482	(B,170,67)	RS1/16SS822J	
R 1401	(B,79,53)	RS1/16SS104J		R 1483	(B,171,55)	RS1/16SS203J	
R 1403	(A,88,67)	RS1/16SS470J		R 1484	(B,171,57)	RS1/16SS333J	
R 1405	(A,94,67)	RS1/16SS0R0J		R 1485	(A,162,65)	RS1/10SR0R0J	D
R 1406	(A,83,67)	RS1/16SS102J		R 1486	(B,160,66)	RS1/10SR0R0J	
R 1407	(A,82,39)	RS1/16SS470J		R 1491	(B,106,41)	RS1/16SS0R0J	
R 1408	(A,82,67)	RS1/16SS221J		R 1492	(B,106,56)	RS1/16SS0R0J	
R 1410	(A,83,69)	RS1/16SS104J		R 1493	(B,105,63)	RS1/16SS0R0J	
R 1411	(A,85,69)	RS1/16SS104J		R 1494	(B,94,63)	RS1/16SS0R0J	
R 1412	(B,94,64) (D)	RS1/16SS473J		R 1495	(B,83,42)	RS1/16SS0R0J	
R 1413	(B,106,51)	RS1/16SS104J		R 1496	(B,84,49)	RS1/16SS0R0J	
R 1414	(B,90,38)	RS1/16SS473J		R 1497	(B,80,44) (C,F)	RS1/16SS473J	
R 1415	(A,109,55)	RS1/16SS104J		R 1498	(A,85,39)	RS1/16SS0R0J	
R 1416	(B,94,65)	RS1/16SS104J		R 1501	(B,93,56)	RS1/16SS561J	E
R 1417	(B,111,57)	RS1/16SS104J		R 1502	(B,118,55)	RS1/10SR473J	
R 1418	(B,111,58)	RS1/16SS104J		R 1503	(B,119,55)	RS1/10SR104J	
R 1419	(A,74,46)	RS1/16SS103J		R 1504	(B,76,58)	RS1/16SS0R0J	
R 1420	(A,75,42)	RS1/16SS103J		R 1505	(B,101,56)	RS1/16SS104J	
R 1421	(A,82,42)	RS1/16SS470J		R 1507	(B,79,60)	RS1/16SS0R0J	
R 1422	(A,81,42)	RS1/16SS681J		R 1511	(B,87,66)	RS1/16SS104J	
R 1423	(A,80,42)	RS1/16SS681J		R 1512	(B,89,65)	RS1/16SS104J	
R 1424	(B,80,34)	RS1/16SS101J		R 1513	(B,87,65)	RS1/16SS104J	
R 1427	(A,78,46)	RS1/16SS681J		R 1514	(B,89,64)	RS1/16SS104J	
R 1428	(A,78,48) (A,B,C,E,F)	RS1/16SS0R0J		R 1515	(B,87,63)	RS1/16SS104J	
R 1429	(B,111,46)	RS1/16SS0R0J		R 1516	(B,89,63)	RS1/16SS104J	F
R 1430	(A,109,60)	RS1/16SS221J		R 1517	(B,89,60)	RS1/16SS104J	
R 1431	(A,82,56)	RS1/16SS681J		R 1518	(B,85,60)	RS1/16SS224J	
R 1432	(A,80,57)	RS1/16SS681J		R 1519	(B,79,67)	RS1/16SS0R0J	

1

2

3

4

Circuit Symbol and No.**Part No.****Circuit Symbol and No.****Part No.**

	R 1521	(B,31,10)	RS1/10SR104J	R 1729	(B,94,77)	RS1/16SS0R0J
	R 1522	(B,34,10)	RS1/10SR104J	R 1730	(B,94,80)	RS1/16SS0R0J
	R 1523	(B,32,8)	RS1/10SR182J			
A	R 1524	(B,33,8)	RS1/10SR182J	R 1731	(B,94,78)	RS1/16SS0R0J
	R 1525	(B,44,8)	RS1/16SS471J	R 1732	(B,94,82) (A,B,D,E)	RS1/16SS0R0J
				R 1733	(B,95,81) (A,B,D,E)	RS1/16SS0R0J
	R 1526	(A,39,12)	RS1/16SS221J	R 1734	(B,95,84) (A,B,D,E)	RS1/16SS0R0J
	R 1527	(A,38,12)	RS1/16SS471J			
	R 1528	(A,37,12)	RS1/16SS221J	R 1741	(B,91,91)	RS1/16SS0R0J
	R 1529	(A,36,12)	RS1/16SS221J	R 1742	(A,78,77)	RS1/16SS0R0J
	R 1530	(A,35,12)	RS1/16SS471J	R 1748	(A,70,92)	RS1/8SQ75R0D
				R 1749	(A,67,92)	RS1/16SS0R0J
	R 1531	(B,52,9)	RS1/4SA0R0J	R 1750	(B,87,75)	RS1/16SS0R0J
	R 1532	(B,52,24)	RS1/10SR0R0J			
	R 1534	(A,48,15)	RS1/16SS0R0J	R 1755	(B,68,66) (A,E)	RS1/16SS821J
	R 1535	(A,42,13)	RS1/8SQ0R0J	R 1756	(B,64,68) (A,E)	RS1/16SS821J
B	R 1601	(B,52,31)	RS1/16SS0R0J	R 1757	(B,68,65) (A,E)	RS1/16SS223J
				R 1758	(B,62,68) (A,E)	RS1/16SS223J
	R 1602	(B,68,31)	RS1/16SS0R0J			
	R 1611	(B,80,73)	RS1/16SS0R0J	R 1761	(A,92,103)	RS1/10SR0R0J
	R 1612	(B,84,73)	RS1/16SS0R0J	R 1762	(B,92,107)	RS1/16SS473J
	R 1615	(B,80,76)	RS1/16SS0R0J	R 1763	(A,92,102)	RS1/10SR0R0J
	R 1616	(B,79,76)	RS1/16SS0R0J	R 1771	(B,93,90)	RS1/16SS0R0J
				R 1772	(B,90,93)	RS1/16SS0R0J
	R 1621	(A,56,30)	RS1/16SS102J	R 1773	(B,65,63) (A,E)	RS1/16SS472J
	R 1623	(A,56,32)	RS1/10SR0R0J	R 1774	(B,66,63) (A,E)	RS1/16SS472J
	R 1646	(B,110,80)	RS1/10SR332J			
	R 1647	(B,109,80)	RS1/10SR332J	R 1775	(B,71,103)	RS1/16SS0R0J
	R 1648	(B,106,80)	RS1/10SR103J	R 1776	(B,71,107)	RS1/16SS0R0J
C				R 1777	(B,89,72)	RS1/16SS182J
	R 1649	(B,108,83)	RS1/10SR103J	R 1778	(B,71,105)	RS1/16SS0R0J
	R 1650	(B,104,78)	RS1/10SR102J	R 1781	(B,94,81)	RS1/16SS223J
	R 1651	(B,101,79)	RS1/10SR104J			
	R 1652	(B,101,80)	RS1/10SR104J	R 1782	(B,94,84)	RS1/16SS223J
	R 1653	(B,99,80)	RS1/10SR683J	R 1783	(B,78,77)	RS1/16SS0R0J
				R 1784	(B,74,78)	RS1/16SS0R0J
	R 1654	(B,99,83)	RS1/10SR473J	R 1785	(A,74,83) (C,F)	RS1/16SS0R0J
	R 1662	(B,106,89)	RS1/10SR821J	R 1786	(A,74,84) (C,F)	RS1/16SS0R0J
	R 1664	(B,109,89)	RS1/16SS104J			
	R 1665	(B,107,86)	RS1/16SS0R0J	R 1787	(A,78,83)	RS1/16SS0R0J
	R 1667	(B,102,86)	RS1/16SS0R0J	R 1788	(A,78,84)	RS1/16SS0R0J
D				R 1791	(B,86,113)	RS1/16SS0R0J
	R 1689	(B,95,97)	RS1/16SS0R0J	R 1792	(B,88,113)	RS1/16SS0R0J
	R 1690	(B,95,98)	RS1/16SS0R0J	R 1795	(B,81,113)	RS1/16SS0R0J
	R 1691	(B,83,75)	RS1/16SS0R0J			
	R 1692	(B,81,75)	RS1/16SS0R0J	R 1796	(B,79,113)	RS1/16SS0R0J
	R 1693	(B,84,75)	RS1/16SS0R0J	R 1801	(B,37,117)	RS1/16SS472J
				R 1802	(B,37,118)	RS1/16SS472J
	R 1694	(B,81,71)	RS1/16SS0R0J	R 1803	(B,43,116)	RS1/10SR821J
	R 1695	(B,83,71)	RS1/10SR0R0J	R 1804	(B,43,118)	RS1/10SR821J
	R 1700	(B,67,79)	RS1/10SR0R0J			
	R 1701	(B,70,80)	RS1/16SS750J	R 1805	(B,41,114)	RS1/10SR223J
	R 1703	(B,72,80)	RS1/16SS101J	R 1806	(B,42,121)	RS1/10SR223J
				R 1831	(B,157,109) (A,D)	RS1/16SS103J
E	R 1704	(B,72,81)	RS1/16SS101J	R 1832	(B,157,112) (A,D)	RS1/16SS681J
	R 1705	(B,70,82) (A,B,D,E)	RS1/16SS75R0F	R 1833	(B,157,111) (A,D)	RS1/16SS101J
	R 1706	(B,72,82) (A,B,D,E)	RS1/16SS101J			
	R 1707	(B,72,83) (A,B,D,E)	RS1/16SS101J	R 1835	(B,139,125) (A,D)	RS1/10SR332J
				R 1836	(B,141,127) (A,D)	RS1/10SR682J
	R 1716	(B,71,89)	RS1/16SS75R0F	R 1837	(B,137,126) (A,D)	RS1/10SR222J
	R 1717	(B,72,87)	RS1/16SS101J	R 1838	(B,147,111) (A,D)	RS1/10SR101J
	R 1718	(B,73,88)	RS1/16SS101J	R 1839	(B,145,109) (A,D)	RS1/16SS680J
	R 1719	(B,73,90)	RS1/16SS0R0J			
				R 1841	(B,147,108) (A,D)	RS1/10SR101J
	R 1720	(B,73,91)	RS1/16SS0R0J	R 1845	(B,142,118) (A,D)	RS1/10SR102J
	R 1722	(B,82,91)	RS1/16SS104J	R 1846	(B,142,116) (A,D)	RS1/10SR102J
	R 1723	(B,84,91)	RS1/16SS0R0J	R 1847	(B,142,119) (A,D)	RS1/10SR223J
F	R 1725	(B,89,74)	RS1/16SS223J	R 1848	(B,142,114) (A,D)	RS1/10SR223J
	R 1726	(B,89,75)	RS1/16SS223J			
				R 1849	(B,142,120) (A,D)	RS1/10SR181J
	R 1727	(B,85,75)	RS1/16SS0R0J	R 1850	(B,142,113) (A,D)	RS1/10SR181J
	R 1728	(B,89,76)	RS1/16SS0R0J	R 1861	(B,166,7)	RS1/16SS271J

1

2

3

4

5		6		7		8	
<u>Circuit Symbol and No.</u>		<u>Part No.</u>		<u>Circuit Symbol and No.</u>		<u>Part No.</u>	
R 1862	(B,165,7)	RS1/16SS152J		R 2314	(B,83,26)	RS1/16SS221J	
R 1863	(B,166,9)	RS1/16SS333J		R 2315	(B,72,14)	RS1/16SS331J	
R 1864	(B,165,10)	RS1/16SS104J		R 2352	(B,164,120)	RS1/10SR0R0J	A
R 1865	(B,164,9)	RS1/16SS104J		R 2353	(A,165,122)	RS1/10SR0R0J	
R 1866	(B,164,7)	RS1/16SS473J		R 2357	(B,163,116)	RS1/10SR102J	
R 1867	(B,164,11)	RS1/16SS104J		R 2358	(B,162,116)	RS1/10SR102J	
R 1868	(B,165,12)	RS1/16SS104J		R 2407	(B,152,22)	RS1/8SQ0R0J	
R 1869	(B,157,12)	RS1/16SS102J		R 2408	(A,145,24) (D,E,F)	RS1/16SS0R0J	
R 1870	(B,156,6)	RS1/16SS472J		R 2410	(A,147,26) (D,E,F)	RS1/16SS0R0J	
R 1871	(B,157,7)	RS1/16SS104J		R 2412	(A,162,17) (A,B,C,E,F)	RS1/16SS0R0J	
R 1872	(B,156,7)	RS1/16SS473J		R 2413	(B,79,17)	RS1/16SS0R0J	
R 1873	(B,163,14)	RS1/16SS104J		R 2428	(B,26,132) (A)	CCSRCH100D50	
R 1874	(B,163,16)	RS1/16SS104J		R 2430	(A,21,101) (A)	CCSRCH100D50	
R 1875	(B,157,16)	RS1/16SS103J		R 2440	(A,36,31)	RS1/10SR0R0J	
R 1941	(B,25,56)	RS1/16SS102J		R 2442	(A,161,23)	RS1/10SR0R0J	B
R 1966	(B,28,67)	RS1/8SQ0R0J		R 2443	(A,21,99) (B,C,D,E,F)	RS1/10SR0R0J	
R 1977	(B,26,63)	RS1/8SQ0R0J		R 2445	(A,21,99) Inductor(A)	LCYB10NJ1608	
R 1978	(B,7,66)	RS1/10SR0R0J		R 2445	(A,55,8) (A,B,D,E)	RS1/16SS0R0J	
R 2001	(A,41,88)	RS1/16SS105J		R 2448	(A,55,5) (C,F)	RS1/16SS0R0J	
R 2002	(A,58,89)	RS1/16SS221J		R 2449	(A,113,10) (A)	RS1/16SS121J	
R 2003	(A,58,82)	RS1/16SS751J		R 2450	(A,113,8) (C)	RS1/16SS681J	
R 2004	(A,36,86)	RS1/16SS152J		R 2451	(A,113,8) (B)	RS1/16SS471J	
R 2005	(A,39,82)	RS1/16SS105J		R 2451	(A,113,7) (D)	RS1/16SS121J	
R 2006	(A,35,79)	RS1/16SS471J		R 2452	(A,113,6) (F)	RS1/16SS681J	
R 2007	(A,36,78)	RS1/16SS330J		R 2459	(A,113,6) (E)	RS1/16SS471J	C
R 2008	(A,34,74)	RS1/16SS681J		R 2459	(A,43,34)	RS1/10SR0R0J	
R 2009	(A,55,72)	RS1/16SS0R0J					
R 2010	(B,36,66)	RS1/4SA8R2J		<u>CAPACITORS</u>			
R 2011	(A,44,89)	RS1/10SR0R0J		C 1001	(A,95,114)	CEAT332M16	
R 2012	(B,34,66)	RS1/4SA8R2J		C 1011	(B,123,140)	CKSSYB102K50	
R 2013	(B,40,88) (B,C,D,E,F)	RS1/10SR0R0J		C 1051	(B,62,125)	CKSRYB104K50	
R 2016	(A,42,66)	RS1/16SS101J		C 1053	(B,85,114)	CKSRYB474K16	
R 2017	(A,41,65)	RS1/16SS0R0J		C 1054	(B,89,114)	CKSRYB474K16	
R 2018	(A,40,68)	RS1/16SS102J		C 1055	(B,86,116)	CKSRYB474K16	
R 2019	(A,40,65)	RS1/16SS103J		C 1056	(B,89,116)	CKSRYB474K16	
R 2022	(A,57,61)	RS1/16SS0R0J		C 1057	(B,82,114)	CKSRYB474K16	D
R 2051	(A,53,63)	RS1/16SS680J		C 1058	(B,78,114)	CKSRYB474K16	
R 2076	(B,23,91)	RS1/10SR0R0J		C 1059	(B,82,116)	CKSRYB474K16	
R 2221	(A,108,32)	RS1/10SR0R0J		C 1060	(B,78,116)	CKSRYB474K16	
R 2222	(A,99,24)	RS1/10SR471J		C 1061	(B,97,134)	CKSRYB104K50	
R 2223	(A,95,19)	RS1/16SS153J		C 1062	(B,97,135)	CKSRYB104K50	
R 2224	(A,97,24)	RS1/16SS153J		C 1064	(B,91,134)	CKSQYB225K10	
R 2225	(A,111,24)	RS1/16SS0R0J		C 1065	(B,90,136)	CKSQYB225K10	
R 2226	(A,111,21)	RS1/16SS0R0J		C 1066	(A,82,116) Capacitor	CEHVV100M16	
R 2227	(A,112,18)	RS1/16SS0R0J		C 1067	(B,59,125)	CKSRYB104K50	
R 2228	(B,101,29)	RS1/10SR101J		C 1071	(B,111,120)	CKSRYB104K50	
R 2229	(B,114,19)	RS1/16SS471J		C 1072	(A,107,102)	CEAT472M16	E
R 2233	(B,112,19)	RS1/16SS101J		C 1091	(B,159,108)	CKSRYB105K16	
R 2237	(B,102,24)	RS1/16SS0R0J		C 1092	(B,164,109)	CKSRYB105K16	
R 2238	(B,102,23)	RS1/16SS0R0J		C 1112	(B,158,108)	CKSSYB103K16	
R 2239	(B,102,22)	RS1/16SS202J		C 1113	(A,155,105)	CKSYB105K35	
R 2240	(B,102,21)	RS1/16SS202J		C 1141	(B,110,139)	CKSRYB105K10	
R 2242	(B,97,26)	RS1/10SR222J		C 1142	(B,112,138)	CKSRYB102K50	
R 2243	(B,98,26)	RS1/10SR222J		C 1151	(B,53,128)	CKSSYB102K50	
R 2248	(A,102,25)	RS1/16SS0R0J		C 1161	(A,167,66)	CEVW100M16	
R 2249	(A,98,15)	RS1/16SS0R0J		C 1162	(A,161,83)	CKSSYB102K50	
R 2250	(A,106,16)	RS1/16SS0R0J		C 1164	(A,161,86)	CKSRYB104K50	F
R 2292	(A,90,30)	RS1/16SS104J		C 1171	(A,156,97)	CEVW100M16	
R 2312	(B,77,23)	RS1/16SS101J		C 1172	(A,161,95)	CKSSYB102K50	
R 2313	(B,77,22)	RS1/16SS101J					

1

2

3

4

Circuit Symbol and No.**Part No.****Circuit Symbol and No.****Part No.**

C 1174	(A,161,99)	CKSRYB104K50	C 1337	(A,78,50)	CKSSYB104K16
C 1181	(A,66,98) Capacitor	CEVW330M10	C 1339	(B,89,46)	CKSSYB103K16
C 1201	(B,164,39)	CKSSYB472K25	C 1345	(A,108,69)	CKSRYB102K50
C 1204	(B,141,49)	CCSRCH821J50	C 1346	(A,107,66)	CEVW100M16
C 1205	(B,141,41)	CCSRCH221J50	C 1347	(B,79,38)	CCSSCH180J50
C 1206	(B,143,46)	CCSRCH220J50	C 1349	(B,91,63)	CKSSYB681K50
C 1207	(B,143,42)	CCSRCH330J50	C 1471	(B,164,62)	CKSRYB104K16
C 1208	(B,141,40)	CCSRCH821J50	C 1472	(B,169,66)	CKSSYB102K50
C 1209	(B,147,51)	CCSRCH102J50	C 1473	(B,169,58)	CKSRYB104K16
C 1210	(B,147,38)	CCSRCH102J50	C 1474	(B,165,53)	CKSRYB103K50
C 1211	(B,144,51)	CKSRYB152K50	C 1475	(B,169,54)	CKSRYB823K16
C 1212	(B,144,39)	CKSSYB273K16	C 1511	(B,81,67)	CKSRYB104K16
C 1216	(B,156,45) 4.7 uF	CCG1201	C 1521	(B,31,11)	CCSRCH101J50
C 1217	(B,155,38)	CKSRYB104K50	C 1522	(B,34,11)	CCSRCH101J50
C 1218	(B,156,44)	CKSRYB104K50	C 1526	(A,46,13) 10 uF	DCH1201
C 1219	(B,153,51)	CKSRYB104K50	C 1527	(A,45,11)	CKSRYB104K16
C 1220	(A,160,39) 10 uF	CCG1236	C 1531	(A,54,14) Capacitor	CEVW220M16
C 1221	(A,157,50) 10 uF	CCG1236	C 1622	(A,58,27)	CKSSYB103K16
C 1223	(A,138,39) 22 uF	CCG1254	C 1623	(A,60,31)	CKSQYB106K6R3
C 1224	(A,140,39) 22 uF	CCG1254	C 1624	(A,62,34)	CKSSYB104K16
C 1226	(A,140,49) 22 uF	CCG1254	C 1641	(B,111,77) 10 uF	DCH1201
C 1227	(A,138,49) 22 uF	CCG1254	C 1642	(B,107,78) 10 uF	DCH1201
C 1241	(B,158,69) 10 uF	CCG1236	C 1643	(B,108,80)	CCSRCH221J50
C 1243	(B,148,74)	CKSRYB104K50	C 1644	(B,106,83)	CCSRCH221J50
C 1244	(A,153,68) 100 uF/16 V	CCH1565	C 1645	(B,97,84)	CKSSYB104K16
C 1246	(B,148,78)	CKSSYB104K16	C 1646	(B,104,79)	CKSRYB103K50
C 1248	(A,131,85) 100 uF/16 V	CCH1565	C 1647	(B,99,78)	CKSRYB104K16
C 1249	(A,137,86) 10 uF	CCG1236	C 1648	(B,104,80)	CCSRCH151J50
C 1250	(A,140,86) 10 uF	CCG1236	C 1649	(B,98,81)	CCSRCH151J50
C 1281	(A,128,66) 22 uF	CCG1254	C 1650	(B,105,86)	CKSQYB225K10
C 1282	(B,119,75)	CCSSCH221J50	C 1691	(B,83,78)	CKSRYB105K10
C 1283	(A,122,73)	CKSRYB104K16	C 1692	(B,81,78)	CKSRYB105K10
C 1285	(B,118,70)	CCSRCH151J50	C 1693	(B,84,78)	CKSRYB105K10
C 1287	(A,127,77)	CKSYB225K25	C 1694	(A,89,81)	CEVW100M16
C 1302	(B,111,45)	CCSSCH101J50	C 1695	(A,86,81)	CKSRYB104K50
C 1306	(B,107,40)	CCSSCH221J50	C 1698	(B,74,79)	CKSRYB104K50
C 1309	(B,106,36)	CCSSCH471J50	C 1699	(B,74,81)	CKSRYB104K50
C 1310	(B,110,46)	CKSRYB104K16	C 1700	(B,74,82) (A,B,D,E)	CKSRYB104K50
C 1311	(B,93,67)	CKSSYB104K16	C 1701	(B,74,83) (A,B,D,E)	CKSRYB104K50
C 1312	(B,89,62)	CCSSCH101J50	C 1704	(B,74,87)	CKSRYB104K50
C 1313	(B,106,43)	CKSRYB103K50	C 1705	(B,75,88)	CKSRYB104K50
C 1314	(B,105,54)	CKSRYB103K50	C 1706	(B,75,90)	CKSRYB104K50
C 1315	(B,99,68)	CKSSYB103K16	C 1707	(B,75,91)	CKSRYB104K50
C 1316	(B,103,43)	CCSSCH101J50	C 1708	(B,75,92)	CKSSYB104K16
C 1317	(B,71,41)	CKSRYB153K50	C 1709	(B,81,91)	CKSSYB104K16
C 1318	(B,103,63)	CKSRYB103K50	C 1710	(A,76,89) Capacitor	CEVW330M25
C 1319	(A,97,37)	CCSSCH100D50	C 1711	(B,80,92)	CKSSYB104K16
C 1320	(B,71,35)	CKSRYB104K16	C 1713	(B,73,98)	CKSYB475K16
C 1321	(A,97,39)	CKSRYB103K50	C 1714	(B,93,101)	CKSYB475K16
C 1322	(A,97,38)	CKSRYB105K10	C 1715	(A,86,90)	CKSSYB104K16
C 1323	(A,95,37)	CCSSCH100D50	C 1716	(A,89,87)	CEVW100M16
C 1324	(A,77,35)	CKSRYB104K16	C 1717	(A,82,92)	CKSSYB104K16
C 1325	(B,94,62)	CKSRYB103K50	C 1718	(A,83,88)	CEVW100M16
C 1326	(A,91,36) 4.7 uF	CCG1201	C 1721	(B,85,78)	CKSRYB105K10
C 1327	(B,86,36)	CCSSCH121J50	C 1722	(B,88,78)	CKSRYB105K10
C 1328	(B,81,38)	CCSSCH180J50	C 1723	(B,91,78)	CKSRYB105K10
C 1332	(B,83,36)	CCSSCH680J50	C 1724	(B,91,80)	CKSRYB105K10
C 1334	(B,84,44)	CKSRYB103K50	C 1726	(B,91,79)	CKSRYB105K10
C 1335	(B,83,44)	CKSRYB105K10	C 1727	(B,91,82)	CKSRYB105K10
C 1336	(B,85,49)	CKSRYB103K50	C 1728	(B,91,84)	CKSRYB105K10
			C 1729	(B,91,83)	CKSRYB105K10

1

2

3

4

5		6		7		8	
<u>Circuit Symbol and No.</u>		<u>Part No.</u>		<u>Circuit Symbol and No.</u>		<u>Part No.</u>	
C 1733	(B,90,88)	CKSRYB105K10		C 2025	(A,55,76)	CKSRYB105K10	
C 1734	(B,88,91)	CKSRYB105K10		C 2026	(A,37,79)	CKSSYB104K10	
C 1735	(B,90,91)	CKSRYB105K10		C 2027	(A,58,74)	CKSSYB472K25	
C 1738	(B,86,78)	CKSRYB105K10		C 2028	(A,58,75)	CKSSYB472K25	A
C 1751	(B,69,68) 4.7 uF(A,E)	CCG1201		C 2029	(A,34,78)	CCSSCH101J50	
C 1752	(B,65,70) 4.7 uF(A,E)	CCG1201		C 2030	(A,39,80)	CKSSYB104K10	
C 1761	(A,91,105)	CKSSYB104K10		C 2031	(A,33,78)	CKSSYB103K16	
				C 2032	(A,58,72)	CCSSCH8R0D50	
C 1763	(A,80,109)	CKSSYB104K10		C 2033	(A,55,73)	CKSSYB104K10	
C 1765	(A,81,106) 10 uF	DCH1165		C 2034	(A,34,73)	CCSSCH820J50	
C 1766	(B,83,108)	CCSSCH100D50		C 2036	(A,36,68)	CKSRYB474K10	
C 1767	(B,81,108)	CKSRYB474K10		C 2037	(A,58,67)	CCSSCH8R0D50	
C 1769	(B,91,100)	CKSRYB105K10		C 2038	(A,39,62)	CKSSYB104K10	
C 1770	(B,92,98)	CKSRYB105K10		C 2041	(A,53,65) 2.2 uF	CCG1205	
C 1771	(B,92,97)	CKSRYB105K10		C 2042	(A,40,62)	CKSSYB104K10	B
C 1772	(A,86,96)	CKSSYB104K16		C 2045	(A,52,64)	CKSSYB104K10	
C 1773	(A,86,100) Capacitor	CEVW470M16		C 2046	(A,44,65)	CKSSYB104K10	
C 1774	(B,84,94)	CCSSCH100D50		C 2047	(A,50,65) 2.2 uF	CCG1205	
C 1775	(A,80,96) 10 uF	DCH1165		C 2048	(A,49,66)	CKSSYB104K10	
C 1776	(B,77,95)	CKSRYB105K10		C 2049	(A,38,68)	CKSSYB102K50	
C 1777	(A,77,104)	CKSSYB222K50		C 2050	(A,46,83)	CKSSYB223K16	
C 1778	(B,75,95)	CKSRYB105K10		C 2051	(A,38,82)	CCSSCJ3R0C50	
C 1779	(A,79,98)	CCSQCH223J50		C 2074	(B,20,93) (A)	CCSSCK2R0C50	
C 1780	(A,79,100)	CCSQCH223J50		C 2075	(A,41,89) (A)	CCSSCK1R0C50	
C 1781	(B,74,102) (A,D)	CKSRYB105K10		C 2101	(B,46,33)	CKSRYB103K50	
C 1782	(B,93,106) (A,D)	CKSRYB105K10					C
C 1783	(B,74,101) (A,D)	CKSRYB105K10		C 2221	(A,108,26)	CKSQYB106K6R3	
C 1784	(B,93,105) (A,D)	CKSRYB105K10		C 2222	(A,106,26)	CKSSYB104K10	
C 1785	(B,74,100)	CKSRYB105K10		C 2223	(A,101,29)	CKSSYB104K10	
C 1786	(B,74,105)	CKSRYB105K10		C 2224	(A,100,29)	CKSQYB106K6R3	
C 1787	(B,74,104)	CKSRYB105K10		C 2226	(A,102,23)	CKSQYB106K6R3	
C 1788	(B,74,106)	CKSRYB105K10		C 2227	(A,104,23)	CKSSYB104K10	
C 1789	(B,77,108)	CKSQYB225K10		C 2228	(A,98,16)	CKSSYB104K10	
C 1799	(B,47,115) 10 uF	DCH1165		C 2230	(A,108,15)	CKSSYB104K10	
C 1800	(B,47,118) 10 uF	DCH1165		C 2232	(A,111,22) 2.2 uF	CCG1205	
C 1831	(B,150,114) (A,D)	CKSSYB472K50		C 2235	(B,112,26)	CKSSYB104K10	
C 1832	(B,148,130) (A,D)	CKSRYB104K50		C 2239	(B,116,22)	CKSSYB104K10	D
C 1861	(B,165,9)	CCSSCH471J50		C 2240	(B,115,20)	CKSSYB105K6R3	
C 1941	(B,33,59) 4.7 uF	CCG1222		C 2241	(B,116,19)	CKSSYB105K6R3	
C 1943	(B,25,59) 4.7 uF	CCG1201		C 2242	(B,113,19)	CKSSYB104K10	
C 2001	(A,52,89)	CCSSCH330J50		C 2245	(B,100,19)	CKSRYB104K16	
C 2002	(A,41,87)	CKSRYB103K50		C 2246	(B,103,26)	CKSRYB104K16	
C 2003	(A,54,87)	CCSSCH6R0D50		C 2247	(B,101,26)	CKSQYB106K6R3	
C 2004	(A,57,87)	CKSSYB103K16		C 2248	(B,102,20)	CKSSYB104K10	
C 2005	(A,47,83)	CKSSYB104K10		C 2360	(B,161,118) 22 uF	DCH1256	
C 2006	(A,44,83)	CKSSYB104K10		C 2424	(B,46,71) (A)	CCSRCH101J50	
C 2009	(A,57,84)	CKSSYB103K16		C 2425	(B,59,69) (A)	CCSRCH101J50	
C 2010	(A,45,83)	CKSSYB104K10		C 2663	(B,160,120) 47 uF	CCG1251	E
C 2012	(A,58,84)	CKSSYB103K16					
C 2013	(A,45,81)	CKSSYB103K16					
C 2014	(A,42,83)	CKSSYB103K16					
C 2015	(A,41,83) 10 uF	CCG1192					
C 2016	(A,39,84)	CKSSYB223K16					
C 2017	(A,51,83)	CKSSYB103K16					
C 2018	(A,49,85)	CKSRYB105K10					
C 2019	(A,50,82)	CKSSYB223K16					
C 2020	(A,53,79)	CKSSYB223K16					
C 2021	(A,44,64)	CCSRCH680J50					
C 2022	(A,56,80)	CKSRYB224K16					
C 2023	(A,56,78)	CKSSYB104K10					
C 2024	(A,34,81) 10 uF	CCG1192					

IF Unit
Consists of
Keyboard PCB
IF PCB
Micro SD PCB



Unit Number : CWN6412(A)
: CWN6413(B)
: CWN6416(C)

Circuit Symbol and No.Part No.Circuit Symbol and No.Part No.

: CWN6414(D)

: CWN6415(E)

: CWN6417(F)

Unit Name : IF Unit

MISCELLANEOUS

IC 101	(A,165,19) Remote Receiver Unit(D,E,F)	RS-470
IC 151	(A,15,99) GPS	GRF3I-0336S
IC 152	(B,14,108) IC	BA10358F
IC 153	(B,25,94) IC	BU33TA2WNVX
IC 187	(A,28,88) IC	TC7SH08FUS1
IC 191	(A,31,88) IC	TC7SH08FUS1
IC 195	(A,33,88) IC	TC7SH08FUS1
IC 221	(A,168,91) IC	TC7SET04FUS1
IC 223	(A,164,91) L-MOS And Gate	TC7SET08FUS1
IC 251	(A,119,103) Logic IC(A,B,C,E,F)	TC7WH126FK
IC 252	(A,110,108) IC(A,B,C,E,F)	TPD1018F
IC 301	(A,54,79) L-MOS And Gate(B,C)	TC7SET08FUS1
IC 303	(A,48,83) IC(B,C)	TC7SH08FUS1
IC 381	(A,152,77) IC	BD9008F
IC 382	(A,161,94) IC	BD82001FVJ
Q 151	(B,25,105) Transistor	KTA1664
Q 201	(A,85,96) Chip Transistor	DTC114EUA
Q 202	(A,82,96) Transistor	2SA1587
Q 204	(A,88,87) Digital Transistor	DTC143EUA
Q 205	(A,82,105) Transistor	2SD1760F5
Q 261	(B,50,97) Chip Transistor(A,B,D,E)	HN1C03FU
Q 262	(B,44,98) Chip Transistor(A,B,D,E)	HN1C03FU
Q 263	(A,63,90) Transistor(A)	2SA1576A
Q 264	(B,43,92) Chip Digital Transistor(A,B,D,E)	DTA124EUA
D 202	(A,89,94) Diode	RB551V-30
D 203	(A,88,91) Diode	RKZ6.8KG(B2)
D 204	(A,86,113) Diode	RKZ11KG(B2)
D 233	(A,159,113) Diode	DZ2S180C
D 234	(A,159,112) Diode	DZ2S180C
D 235	(A,165,113) Diode	DZ2S180C
D 236	(B,164,112) Diode	RSB12JS2
D 237	(A,162,101) Diode	1SR154-400
D 266	(A,67,96) Diode	KDS160
D 271	(B,36,105) Diode(A,B,D,E)	DZ2S180C
D 272	(B,39,123) Diode(A,B,D,E)	DZ2S180C
D 301	(A,44,83) Diode(B,C)	KDS160
D 381	(A,159,71) Diode	RB055LA-40
D 2901	(A,6,74) Chip LED	NSSM038A-7306
D 2902	(A,11,14) Chip LED	NSSM038A-7306
L 151	(B,20,98) Inductor	CTF1736
L 152	(A,22,97) Inductor	CTF1736
L 153	(A,20,98) Inductor	CTF1736
L 157	(A,22,112) Inductor	LCYC1R0K2125
L 158	(A,20,108) Inductor	CTF1736
L 211	(A,27,81) Inductor	CTF1708
L 212	(A,29,81) Inductor	CTF1708
L 213	(A,32,81) Inductor	CTF1708
L 234	(B,164,109) Choke Coil 90 ohm	CTH1319
L 381	(A,160,81) Coil	CTH1475
L 2901	(B,6,86) Inductor	CTF1750
L 2902	(B,6,88) Inductor	CTF1751
L 2903	(B,6,90) Inductor	CTF1752
X 151	(B,17,96) TCXO 16.367 667 MHz	CWX3728

F 151	(A,13,107) Filter	CTF1706
F 231	(A,167,111) EMI Filter	CCG1067
F 232	(A,163,111) EMI Filter	CCG1067
F 233	(A,160,110) EMI Filter	CCG1060
F 261	(A,56,102) EMI Filter	CCG1082
F 262	(B,37,103) EMI Filter(A,B,D,E)	CCG1082
S 3001	(A,6,8) Switch	CSN1057
S 3003	(A,12,63) Encoder(MULTI CONTROL)	CSD1168
S 3004	(A,11,43) Push Switch	CSG1196
S 3005	(A,10,82) Push Switch	CSG1196
S 3006	(A,11,23) Push Switch	CSG1196
S 3007	(A,11,37) Push Switch	CSG1196
S 3008	(A,10,89) Push Switch	CSG1196
⚠ P201	(B,76,103) Fuse 1 A	CEK1254
P 241	(B,149,125) Poly Switch	FSMD075-24R
P 261	(B,49,126) Poly Switch	FSMD075-24R
P 262	(B,39,126) Poly Switch(A,B,D,E)	FSMD075-24R
P 263	(B,44,128) Poly Switch(A,B,D,E)	FSMD075-24R
VA261	(B,34,103) Varistor(A,B,D,E)	AVR-M1608C270KT2AB
VA262	(B,32,103) Varistor(A,B,D,E)	AVR-M1608C270KT2AB
VA263	(A,28,111) Varistor(A,B,D,E)	AVR-M1608C270KT2AB
VA264	(A,28,114) Varistor(A,B,D,E)	AVR-M1608C270KT2AB
CN101	(B,110,9) Connector	CKS6299
CN103	(B,151,8) Connector	CKS5732
CN201	(A,70,121) Connector	CKS4822
CN231	(A,163,123) Connector	CKS5867
CN251	(A,119,128) Connector(A,B,C,E,F)	CKS6155
CN261	(A,44,126) Connector	CKS6262
CN291	(A,42,9) Connector(A,B,D,E)	CKS6261
CN301	(A,42,93) Connector(B,C)	AKM1274
CN2901	(B,10,87) Connector	CKS5749
CN2902	(B,13,41) Connector	CKS5856
CN5951	(A,12,10) Connector	CKS6195
CN5952	(B,12,21) Connector	CKS6302
JA 151	(A,16,125) Connector	CKS5702
JA241	(A,140,124) Connector	CKS4124
JA2901	(B,6,93) Antenna	CTX1110

RESISTORS

R 102	(B,106,18)	RS1/16SS182J
R 103	(B,104,17)	RS1/16SS221J
R 104	(B,119,20)	RS1/16SS0R0J
R 106	(B,117,16)	RS1/16SS0R0J
R 107	(B,138,16)	RS1/16SS0R0J
R 108	(B,136,14)	RS1/16SS0R0J
R 112	(B,119,16)	RS1/16SS0R0J
R 115	(B,102,15)	RS1/16SS331J
R 116	(A,162,18) (D,E,F)	RS1/16SS470J
R 117	(B,145,83)	RS1/16SS0R0J
R 118	(B,142,64)	RS1/16SS0R0J
R 119	(B,120,26)	RS1/16SS0R0J
R 120	(B,124,46)	RS1/16SS0R0J
R 121	(B,159,93)	RS1/16SS0R0J
R 122	(A,145,11)	RS1/10SR0R0J
R 123	(A,145,16)	RS1/16SS0R0J
R 124	(A,143,16)	RS1/16SS0R0J
R 131	(A,55,74)	RS1/10SR0R0J
R 141	(A,134,10)	RS1/10SR0R0J
R 142	(A,56,22)	RS1/10SR0R0J
R 150	(A,105,12)	RS1/10SR0R0J

5
Circuit Symbol and No.

6
Part No.

7
Circuit Symbol and No.

8
Part No.

R 151	(A,20,94)	RS1/16SS151J	R 255	(A,118,117) (A,B,C,E,F)	RS1/8SQ102J
R 152	(A,17,104)	RS1/16SS2R7J	R 256	(A,120,117) (A,B,C,E,F)	RS1/8SQ102J
R 153	(A,18,94)	RS1/16SS0R0J	R 257	(A,122,117) (A,B,C,E,F)	RS1/8SQ102J
R 154	(A,16,94)	RS1/16SS0R0J	R 258	(A,115,103) (A,B,C,E,F)	RS1/16SS0R0J
R 155	(A,14,94)	RS1/16SS0R0J	R 259	(A,110,120) (A,B,C,E,F)	RS1/8SQ0R0J
R 156	(A,13,94)	RS1/16SS101J	R 261	(A,49,98) (A,B,D,E)	RS1/10SR821J
R 157	(A,12,94)	RS1/16SS101J	R 262	(A,47,98) (A,B,D,E)	RS1/10SR821J
R 158	(A,14,102)	RS1/16SS0R0J	R 263	(A,54,98) (A,B,D,E)	RS1/10SR821J
R 159	(A,11,94)	RS1/16SS101J	R 264	(A,52,98) (A,B,D,E)	RS1/10SR821J
R 160	(A,13,110)	RS1/16SS0R0J	R 265	(B,46,99) (A,B,D,E)	RS1/10SR223J
R 161	(B,13,99)	RS1/16SS472J	R 266	(B,41,99) (A,B,D,E)	RS1/10SR223J
R 162	(B,13,97)	RS1/16SS203J	R 267	(B,53,99) (A,B,D,E)	RS1/10SR223J
R 165	(A,26,107)	RS1/10SR10R0D	R 268	(B,48,99) (A,B,D,E)	RS1/10SR223J
R 166	(A,24,107)	RS1/16SS1501D	R 275	(A,59,93) (A)	RS1/16SS103J
R 167	(A,24,108)	RS1/16SS2402D	R 276	(A,61,104)	RS1/16SS102J
R 168	(A,22,108)	RS1/16SS3302D	R 277	(A,59,104)	RS1/16SS102J
R 170	(B,14,103)	RS1/16SS4702D	R 278	(A,68,105)	RS1/16SS102J
R 171	(B,10,110)	RS1/16SS4702D	R 279	(A,63,98)	RS1/16SS153J
R 172	(B,18,104)	RS1/16SS432J	R 280	(A,61,90) (A)	RS1/16SS103J
R 173	(A,19,110)	RS1/16SS0R0J	R 281	(A,62,92) (A)	RS1/10SR0R0J
R 174	(B,10,106)	RS1/16SS1002D	R 282	(A,64,87) (A)	RS1/16SS102J
R 175	(B,10,107)	RS1/16SS2202D	R 283	(A,64,88) (A)	RS1/16SS103J
R 176	(B,10,108)	RS1/16SS3302D	R 284	(A,65,97)	RS1/16SS0R0J
R 177	(B,16,113)	RS1/16SS103J	R 285	(B,50,93) (A,B,D,E)	RS1/10SR472J
R 178	(B,15,114)	RS1/16SS102J	R 286	(B,51,93) (A,B,D,E)	RS1/10SR472J
R 179	(B,22,104)	RS1/16SS102J	R 287	(B,43,95) (A,B,D,E)	RS1/10SR472J
R 180	(B,25,96)	RS1/16SS103J	R 288	(B,44,95) (A,B,D,E)	RS1/10SR472J
R 183	(B,27,96)	RS1/16SS0R0J	R 289	(A,62,87) (B,C,D,E,F)	RS1/16SS104J
R 184	(B,31,100)	RS1/10SR0R0J	R 301	(A,42,85) (B,C)	RS1/16SS102J
R 185	(A,14,111)	RS1/16SS0R0J	R 302	(A,40,84) (B,C)	RS1/16SS0R0J
R 186	(A,15,111)	RS1/16SS0R0J	R 303	(A,38,85) (B,C)	RS1/16SS102J
R 187	(A,29,83)	RS1/16SS0R0J	R 305	(A,42,84) (B,C)	RS1/16SS104J
R 190	(A,28,90)	RS1/16SS104J	R 308	(A,55,81) (B,C)	RS1/16SS0R0J
R 191	(A,32,83)	RS1/16SS0R0J	R 310	(A,50,85) (B,C)	RS1/16SS0R0J
R 194	(A,31,90)	RS1/16SS104J	R 385	(A,150,81)	RS1/10SR471J
R 195	(A,35,83)	RS1/16SS0R0J	R 386	(A,151,83)	RS1/10SR6202D
R 198	(A,33,90)	RS1/16SS104J	R 387	(A,153,82)	RS1/10SR4701D
R 199	(B,22,98)	RS1/16SS0R0J	R 389	(A,153,81)	RS1/10SR1202D
R 202	(A,82,99)	RS1/16SS103J	R 390	(A,155,82)	RS1/16SS183J
R 203	(A,84,99)	RS1/16SS512J	R 391	(A,147,78)	RS1/16SS513J
R 207	(A,84,93)	RS1/4SA681J	R 393	(A,152,61)	RS1/8SQ0R0J
R 211	(A,27,84)	RS1/16SS101J	R 394	(A,148,79)	RS1/16SS0R0J
R 212	(A,30,84)	RS1/16SS101J	R 396	(A,164,97)	RS1/4SA151J
R 213	(A,33,84)	RS1/16SS101J	R 397	(A,166,97)	RS1/4SA151J
R 214	(A,17,96)	RS1/16SS101J	R 398	(A,168,97)	RS1/4SA151J
R 215	(A,16,95)	RS1/16SS101J	R 405	(B,71,18) (A)	RS1/10SR0R0J
R 216	(A,14,95)	RS1/16SS101J	R 406	(B,74,18) (B)	RS1/10SR0R0J
R 222	(A,167,88)	RS1/16SS0R0J	R 407	(B,77,18) (D)	RS1/10SR0R0J
R 223	(A,168,93)	RS1/16SS0R0J	R 408	(B,80,18) (E)	RS1/10SR0R0J
R 226	(A,165,88)	RS1/16SS0R0J	R 3031	(B,14,48)	RS1/16SS122J
R 231	(A,167,108)	RS1/10SR0R0J	R 3037	(B,14,76)	RS1/16SS242J
R 232	(A,163,108)	RS1/10SR0R0J	R 3043	(B,15,32)	RS1/16SS682J
R 233	(A,165,111)	RS1/10SR0R0J	R 3044	(B,16,34)	RS1/16SS362J
R 241	(B,150,120)	RS1/16SS102J	R 5951	(A,10,22)	RS1/16SS330J
R 242	(B,148,120)	RS1/16SS102J	R 5952	(A,11,22)	RS1/16SS330J
R 246	(A,118,107) (A,B,C,E,F)	RS1/16SS0R0J	R 5953	(B,11,16)	RS1/16SS330J
R 249	(A,122,107) (A,B,C,E,F)	RS1/16SS0R0J	R 5954	(B,13,13)	RS1/16SS0R0J
R 251	(A,118,99) (A,B,C,E,F)	RS1/16SS221J	R 5955	(A,13,22)	RS1/16SS0R0J
R 252	(A,120,100) (A,B,C,E,F)	RS1/10SR105J	R 5956	(A,16,22)	RS1/16SS330J
R 254	(A,116,117) (A,B,C,E,F)	RS1/8SQ102J			

1

Circuit Symbol and No.

R 5957 (A,17,22)
R 5958 (B,11,11)

2

Part No.

RS1/16SS330J
RS1/16SS330J

3

Circuit Symbol and No.

C 303 (A,52,84) (B,C)
C 382 (A,166,70) 220 uF/6.3 V

4

Part No.

CKSRYB104K16
CCH1688

A

CAPACITORS

C 102 (A,162,22) (D,E,F)
C 131 (A,48,18)
C 151 (B,17,98)
C 152 (B,20,97)
C 153 (A,22,100)
C 154 (A,19,100)

CKSRYB104K50
CKSRYB103K50
CKSSYB103K16
CKSSYB102K50
CKSSYB104K10
CCSSCH101J50

C 383 (A,154,82)
C 384 (A,154,72) 4.7 uF
C 385 (A,155,80)
C 386 (A,154,74)
C 387 (A,153,67) 100 uF/16 V

CKSSYB153K16
CCG1222
CCSSCH220J50
CKSRYB105K16
CCH1565

C 156 (A,22,98) 10 uF
C 157 (A,19,98)
C 158 (A,19,101)
C 159 (A,18,104)
C 160 (A,16,104)

CCG1244
CKSSYB104K10
CCSSCH470J50
CKSSYB105K6R3
CKSSYB104K10

C 388 (A,146,67) 100 uF/16 V
C 2901 (A,5,78)
C 2902 (A,5,71)
C 2903 (B,7,13)
C 2904 (B,14,12)

CCH1565
CKSRYB104K50
CKSRYB104K50
CKSRYB104K50
CKSRYB104K50

B

C 161 (A,15,104)
C 162 (A,14,105)
C 163 (A,11,102)
C 164 (B,13,101)
C 167 (A,15,114)

CCSSCH470J50
CCSSCH101J50
CCSSCH470J50
CCSSCH470J50
CCSSCH101J50

C 5958 (B,13,16)

CKSRYB104K50

C**Unit Number : YWX5033****Unit Name : DVD Core Unit****MISCELLANEOUS**

IC 1002 (B,15,13) Regulator IC S-1133B50-U5
IC 1003 (B,37,11) IC S-1200B50-M5
IC 1004 (B,64,28) IC NJM2855DL1-33
IC 1251 (A,12,42) IC BA5839FP
IC 1401 (B,27,41) Flash ROM Unit CWW5043

IC 1402 (B,45,28) Flash ROM Unit CWW5044
IC 1480 (A,64,30) SDRAM(16M) M12L64164A-5TG2M
IC 1501 (A,39,33) IC MN2DS0018MA
IC 1801 (B,34,16) D/A Converter PCM1753DBQ
IC 1953 (B,57,17) IC S-1135D12-A6

Q 1101 (B,13,59) Transistor 2SC4081
Q 1102 (B,13,56) Transistor 2SC4081
Q 1103 (B,10,63) Transistor KTA1664
Q 1104 (B,22,54) Transistor KTA1664
L 1501 (A,54,31) Inductor CTF1743

L 1511 (A,48,17) Chip Beads VTL1126
L 1902 (A,17,17) Inductor CTF1487
L 1903 (B,63,16) Inductor CTF1558
L 1904 (A,68,18) Ferrite Bead CTF1528
X 1501 (B,48,18) Oscillator 27.000 MHz CSS1823

F 1001 (A,14,19) Chip EMI Filter DTF1106
F 1002 (B,63,18) Chip EMI Filter DTL1106
S 1 (A,47,55) Spring Switch(HOME) CSN1080
S 3 (B,25,13) Spring Switch(12EJ) CSN1081
VR1101 (A,7,63) Semi-fixed 6.8 kohm(B) CCP1447

VR1102 (A,7,60) Semi-fixed 15 kohm(B) CCP1449
CN1101 (A,21,63) Connector CKS6331
CN1952 (A,42,11) Connector CKS6025

RESISTORS

R 1004 (B,12,20) RS1/16SS4702D
R 1007 (B,12,21) RS1/16SS6801D
R 1019 (B,34,7) RS1/16SS101J
R 1025 (B,36,6) RS1/16SS101J
R 1027 (A,40,18) RS1/16SS101J

R 1101 (B,15,57) RS1/16SS104J
R 1102 (B,10,56) RS1/16SS104J
R 1103 (B,14,61) RS1/16SS4300F

F

C 261 (A,49,94) 10 uF(A,B,D,E)
C 262 (A,47,94) 10 uF(A,B,D,E)
C 263 (A,54,94) 10 uF(A,B,D,E)
C 264 (A,52,94) 10 uF(A,B,D,E)
C 271 (A,62,102)

DCH1165
DCH1165
DCH1165
DCH1165
CKSRYB103K50

C 273 (A,65,99)
C 274 (A,62,88) (A)
C 275 (B,53,128)
C 276 (B,37,129) (A,B,D,E)
C 301 (A,56,79) (B,C)

CKSRYB102K50
CKSSYB104K10
CKSRYB103K50
CKSRYB103K50
CKSRYB104K16

1

2

3

4

5		6		7		8	
<u>Circuit Symbol and No.</u>		<u>Part No.</u>		<u>Circuit Symbol and No.</u>		<u>Part No.</u>	
R 1104	(B,11,59)	RS1/16SS5100F		R 1528	(B,19,34)	RS1/16SS103J	
R 1105	(B,17,54)	RS1/16SS4300F		R 1529	(B,35,21)	RS1/16SS103J	
R 1106	(B,10,57)	RS1/16SS5600F		R 1530	(B,17,34)	RS1/16SS103J	A
R 1109	(B,6,57)	RS1/16SS3R3J		R 1531	(B,33,30)	RS1/16SS103J	
R 1110	(B,16,54)	RS1/16SS3R3J		R 1532	(A,24,42)	RS1/16SS101J	
R 1111	(B,6,63)	RS1/10SR3R3J		R 1533	(A,29,47)	RS1/16SS104J	
R 1112	(B,5,58)	RS1/10SR3R3J		R 1534	(B,29,48)	RS1/16SS221J	
R 1113	(B,15,59)	RS1/10SR3R9J		R 1535	(A,22,44)	RS1/16SS104J	
R 1114	(B,19,57)	RS1/10SR3R3J		R 1536	(B,32,48)	RS1/16SS104J	
R 1115	(B,6,61)	RS1/10SR2R7J		R 1537	(A,24,46)	RS1/16SS104J	
R 1116	(B,6,62)	RS1/10SR2R7J		R 1538	(A,55,35)	RS1/16SS104J	
R 1117	(B,17,59)	RS1/10SR3R9J		R 1539	(B,33,48)	RS1/16SS104J	
R 1118	(B,16,59)	RS1/10SR3R9J		R 1540	(A,26,46)	RS1/16SS221J	
R 1223	(A,42,50)	RS1/16SS561J		R 1541	(A,26,45)	RS1/16SS221J	B
R 1225	(B,29,8)	RS1/16SS471J		R 1542	(B,26,34)	RS1/16SS103J	
R 1251	(A,5,48)	RS1/16SS333J		R 1546	(A,33,49)	RS1/16SS682J	
R 1252	(A,5,47)	RS1/16SS473J		R 1601	(A,32,17)	RS1/16SS123J	
R 1253	(A,5,46)	RS1/16SS333J		R 1602	(A,32,18)	RS1/16SS123J	
R 1254	(A,5,45)	RS1/16SS473J		R 1603	(B,31,21)	RS1/16SS1002D	
R 1255	(A,21,48)	RS1/16SS183J		R 1604	(A,23,21)	RS1/16SS105J	
R 1256	(A,21,46)	RS1/16SS752J		R 1605	(A,22,23)	RS1/16SS105J	
R 1257	(B,8,37)	RS1/16SS221J		R 1670	(B,40,21)	RS1/16SS1002D	
R 1258	(A,19,39)	RS1/16SS221J		R 1671	(B,42,19)	RS1/16SS2402D	
R 1401	(B,34,28)	RS1/16SS221J		R 1672	(A,39,18)	RS1/16SS2000D	
R 1402	(B,34,47)	RS1/16SS104J		R 1674	(A,36,17)	RS1/16SS3002D	C
R 1405	(B,55,35)	RS1/16SS104J		R 1801	(B,41,8)	RS1/16SS104J	
R 1406	(B,39,45)	RS1/16SS472J		R 1802	(B,43,8)	RS1/16SS104J	
R 1480	(A,72,24)	RAB4CQ560J		R 1803	(B,37,13)	RS1/16SS821J	
R 1481	(A,72,28)	RAB4CQ560J		R 1804	(B,39,14)	RS1/16SS821J	
R 1482	(A,72,32)	RAB4CQ560J		R 1982	(A,10,62)	RS1/16SS822J	
R 1483	(A,72,35)	RAB4CQ560J		R 1983	(B,40,20)	RS1/16SS1000D	
R 1484	(A,72,39)	RAB4CQ560J		R 1987	(B,43,21)	RS1/16SS0R0J	
R 1485	(A,55,22)	RAB4CQ560J		<u>CAPACITORS</u>			
R 1486	(A,55,28)	RAB4CQ560J		C 1001	(B,34,10)	CKSRYB105K10	D
R 1487	(A,56,37)	RAB4CQ560J		C 1002	(B,12,17)	CKSSYB104K16	
R 1488	(A,55,40)	RAB4CQ560J		C 1003	(B,15,19)	CKSSYB104K16	
R 1489	(A,54,30)	RS1/16SS560J		C 1004	(B,15,17) 4.7 uF	CCG1201	
R 1490	(A,72,21)	RS1/16SS560J		C 1005	(B,40,11)	CKSRYB105K16	
R 1501	(B,48,21)	RS1/16SS122J		C 1010	(B,60,23)	CKSQYB225K10	
R 1503	(B,46,21)	RS1/16SS105J		C 1011	(B,64,22)	CKSRYB105K10	
R 1504	(A,50,17)	RS1/16SS121J		C 1015	(A,25,7)	CKSSYB102K50	
R 1505	(B,45,15)	RS1/16SS101J		C 1016	(B,64,15)	CKSSYB102K50	
R 1506	(B,45,14)	RS1/16SS101J		C 1018	(B,14,21)	CKSSYB104K10	
R 1507	(B,43,17)	RS1/16SS101J		C 1040	(B,51,7)	CCSRCH821J50	E
R 1508	(B,42,18)	RS1/16SS221J		C 1041	(B,19,11)	CCSRCH271J50	
R 1509	(A,20,34)	RS1/16SS102J		C 1101	(B,14,53) 10 uF	CCG1192	
R 1510	(A,11,29)	RS1/16SS102J		C 1104	(B,7,57)	CKSSYB104K10	
R 1512	(A,55,32)	RS1/16SS470J		C 1105	(B,18,54)	CKSSYB104K10	
R 1513	(A,23,38)	RS1/16SS103J		C 1106	(B,8,66)	CKSSYB103K16	
R 1514	(A,24,40)	RS1/16SS183J		C 1107	(B,25,53)	CKSSYB103K16	
R 1516	(A,24,36)	RS1/16SS104J		C 1108	(A,19,57)	CKSSYB103K16	
R 1517	(B,57,22)	RS1/16SS103J		C 1109	(A,7,57)	CKSRYB224K16	
R 1518	(B,33,31)	RS1/16SS103J		C 1110	(A,17,58)	CKSSYB103K16	
R 1519	(A,24,43)	RS1/16SS102J		C 1111	(A,9,66)	CKSRYB224K16	F
R 1522	(A,21,37)	RS1/16SS104J		C 1112	(B,17,52) 22 uF	DCH1256	
R 1523	(A,22,37)	RS1/16SS221J		C 1113	(B,8,58) 22 uF	DCH1256	
R 1524	(B,29,33)	RS1/16SS472J		C 1210	(B,77,34)	CKSSYB104K16	
R 1525	(A,24,44)	RS1/16SS103J		C 1251	(B,12,41)	CEVW101M16	
R 1526	(A,22,40)	RS1/16SS103J					
R 1527	(A,35,49)	RS1/16SS682J					

	1	2
	<u>Circuit Symbol and No.</u>	<u>Part No.</u>
A	C 1252 (B,7,41) 4.7 uF	CCG1222
	C 1253 (B,7,39)	CKSSYB104K16
	C 1254 (A,6,38)	CKSSYB104K16
	C 1255 (A,18,37)	CKSSYB104K16
	C 1401 (B,34,27)	CKSSYB104K16
	C 1403 (B,39,40)	CKSSYB104K10
	C 1404 (B,40,40) 4.7 uF	CCG1201
	C 1408 (B,57,27)	CKSSYB104K10
	C 1409 (B,58,29) 4.7 uF	CCG1201
	C 1410 (B,33,29)	CKSSYB104K16
	C 1480 (A,71,19)	CKSSYB104K10
	C 1481 (A,72,22)	CKSSYB104K10
	C 1482 (A,72,26)	CKSSYB104K10
B	C 1484 (A,72,30)	CKSSYB104K10
	C 1485 (A,72,41)	CKSSYB104K10
	C 1487 (A,57,29)	CKSSYB104K10
	C 1488 (A,57,25)	CKSSYB104K10
	C 1489 (A,64,17) 10 uF	CCG1192
	C 1490 (A,66,18)	CKSSYB102K50
	C 1501 (B,61,20) 10 uF	CCG1192
	C 1502 (B,54,20) 10 uF	CCG1192
	C 1503 (A,54,33)	CKSSYB104K10
	C 1504 (A,53,24)	CKSSYB104K10
C	C 1505 (A,53,27)	CKSSYB104K10
	C 1506 (B,52,35)	CKSSYB104K10
	C 1507 (A,53,36)	CKSSYB104K10
	C 1508 (A,53,39)	CKSSYB104K10
	C 1509 (A,53,42)	CKSSYB104K10
	C 1510 (B,51,18)	CCSSCH100D50
	C 1511 (A,48,18)	CKSSYB104K10
	C 1512 (B,45,18)	CCSSCH100D50
	C 1513 (A,48,48)	CKSSYB104K10
	C 1514 (B,45,21)	CKSSYB104K10
	C 1515 (A,45,18)	CKSSYB104K10
	C 1516 (A,43,48)	CKSSYB104K10
D	C 1517 (A,42,48)	CKSSYB104K10
	C 1518 (A,38,48)	CKSSYB104K10
	C 1519 (A,34,47)	CKSSYB104K10
	C 1520 (A,27,47)	CKSSYB104K10
	C 1521 (A,24,34)	CKSSYB104K10
	C 1522 (A,25,38)	CKSSYB104K10
	C 1523 (A,20,46)	CKSSYB224K6R3
	C 1524 (A,20,48)	CKSSYB473K16
	C 1526 (A,24,37)	CKSSYB103K16
	C 1528 (B,30,48)	CCSSCH471J50
E	C 1601 (A,32,19)	CKSSYB103K16
	C 1602 (A,34,17)	CCSSCH101J50
	C 1603 (A,33,18)	CCSSCH101J50
	C 1604 (A,30,17)	CCSSCH680J50
	C 1605 (A,30,18)	CCSSCH680J50
	C 1606 (A,35,19)	CKSSYB104K10
	C 1607 (A,20,24) 10 uF	CCG1192
	C 1608 (A,28,18) 4.7 uF	CCG1201
	C 1609 (A,26,22)	CKSSYB104K10
	C 1612 (A,24,24)	CKSSYB104K10
F	C 1613 (A,24,25)	CKSSYB104K10
	C 1614 (A,22,24)	CKSSYB104K10
	C 1615 (A,23,26)	CKSSYB104K10
	C 1616 (A,24,27)	CKSSYB104K10
	C 1617 (B,27,28)	CKSSYB104K10

	3	4
	<u>Circuit Symbol and No.</u>	<u>Part No.</u>
	C 1618 (A,22,29)	CCSSCH101J50
	C 1619 (A,23,30)	CKSSYB562K25
	C 1620 (B,27,30)	CKSSYB224K6R3
	C 1621 (A,22,31)	CKSSYB224K6R3
	C 1622 (A,24,31)	CKSSYB333K16
	C 1623 (A,27,20)	CKSRYB105K10
	C 1624 (A,24,32)	CKSSYB104K10
	C 1625 (A,24,29)	CKSSYB104K10
	C 1671 (A,41,18)	CKSSYB104K10
	C 1673 (A,37,19)	CKSSYB104K10
	C 1674 (B,42,20)	CKSSYB104K10
	C 1676 (B,38,21)	CKSRYB105K10
	C 1801 (B,42,10) 4.7 uF	CCG1201
	C 1802 (B,46,10) 4.7 uF	CCG1201
	C 1803 (B,42,12)	CCSRCH182J50
	C 1804 (B,45,12)	CCSRCH182J50
	C 1805 (B,34,13)	CKSSYB104K10
	C 1806 (B,32,13) 10 uF	CCG1192
	C 1809 (B,39,16)	CKSSYB104K10
	C 1953 (B,60,17)	CKSRYB105K10
	C 1954 (B,54,17)	CKSRYB105K10
	C 1955 (B,77,40)	CKSSYB104K16

F

Unit Number : CXX4255(A)
: CXX4256(B)
: CXX4259(C)
: CXX4257(D)
: CXX4258(E)
: CXX4260(F)
Unit Name : CC Monitor Unit(Service)

MISCELLANEOUS

IC 3200 (A,72,126) IC	OZ527IRN
IC 3300 (A,55,21) IC	NJU6062V
IC 3360 (A,14,25) IC	AK4388VT
IC 4001 (A,47,95) IC	TT4421
IC 4203 (A,20,60) IC	S-80944CNMC-G9E
IC 4204 (B,63,42) IC	LTC3412AEFE
IC 4205 (B,42,43) IC	LTC3412AEFE
IC 4206 (A,20,63) IC	S-80929CNMC-G8Z
IC 4207 (A,21,43) IC	TC7SH08FUS1
IC 4208 (B,22,128) IC	NJM2878F3-15
IC 4209 (A,20,104) IC	NJM2878F3-25
IC 4211 (A,19,72) IC	NJM2878F3-18
IC 4212 (A,26,44) IC	TC7SH08FUS1
IC 4216 (B,42,52) IC	S-80830CLMC-B6P
IC 4217 (A,24,55) IC	S-80835CLMC-B6U
IC 4219 (A,40,131) PM Switch	BD6522F
IC 4281 (B,67,49) IC	S-80844CLMC-B65
IC 4361 (A,28,137) IC	NJM2888F33
IC 4401 (A,71,95) IC	H5DU5162ETR-E3C
IC 4402 (A,71,67) IC	H5DU5162ETR-E3C
IC 4403 (A,46,77) Flash ROM Unit(Service)	CXX4262
IC 4404 (B,71,95) IC	H5DU5162ETR-E3C
IC 4405 (B,71,67) IC	H5DU5162ETR-E3C
IC 4406 (A,36,70) SRAM	CY62147EV30LL45BVA

5			6			7			8		
<u>Circuit Symbol and No.</u>			<u>Part No.</u>			<u>Circuit Symbol and No.</u>			<u>Part No.</u>		
IC 4407	(A,29,66)	IC	TC7PA53FU	L 4501	(A,47,121)	Inductor	CTF1736				
IC 4501	(B,41,122)	IC	PEM002C8	L 4502	(A,42,123)	Inductor	CTF1736				
IC 4621	(B,50,61)	IC	PE9019A	L 4651	(B,45,82)	Inductor	CTF1736				A
IC 4654	(B,30,81)	IC	WM1616LGEFL	L 4781	(B,39,78)	Inductor	CTF1736				
IC 4701	(B,25,52)	IC	341S2162	L 4782	(B,32,89)	Inductor	CTF1736				
IC 4901	(A,25,119)	IC	TC90192XBG	L 4784	(B,60,67)	Inductor	CTF1736				
IC 5451	(A,39,44)	IC	NJM2746RB1	L 4785	(A,47,137)	Inductor	CTF1736				
IC 5513	(A,28,81)	V PRO SYS LSI	AK8859VN	L 4786	(B,39,65)	Inductor	CTF1736				
IC 5514	(A,41,25)	IC	NJM2125F	L 4788	(B,21,57)	Inductor	CTF1736				
Q 3360	(B,12,27)	Chip Transistor	DTC114EUA	L 4903	(B,27,129)	Inductor	CTF1736				
Q 4206	(A,42,140)	Chip Transistor	DTC114EUA	L 4904	(B,21,104)	Inductor	CTF1736				
Q 4207	(B,58,79)	Chip Transistor	DTC114EUA	L 4905	(B,19,126)	Inductor	CTF1736				
Q 4209	(A,44,137)	Chip Transistor	2SB1689	L 4931	(A,36,75)	Inductor	CTF1736				
Q 4210	(B,60,72)	Transistor	2SA1576A	L 4933	(A,18,79)	Inductor	CTF1736				B
Q 4211	(B,56,73)	Transistor	2SC4081	L 4934	(B,25,104)	Inductor	CTF1736				
Q 4212	(B,60,94)	Chip Transistor	DTC114EUA	L 4936	(A,19,79)	Inductor	CTF1736				
Q 4214	(B,60,100)	Transistor	2SA1576A	L 5600	(A,22,130)	Chip Beads	VTL1133				
Q 4216	(B,60,90)	Chip Transistor	DTC114EUA	L 5601	(A,23,128)	Chip Beads	VTL1133				
Q 4217	(B,56,95)	Transistor	2SA1576A	L 5602	(A,23,130)	Chip Beads	VTL1133				
Q 4218	(B,53,82)	Transistor	2SA1576A	L 5603	(A,24,128)	Chip Beads	VTL1133				
Q 4701	(B,25,58)	Chip Transistor	DTC114TUA	L 5604	(A,24,130)	Chip Beads	VTL1133				
Q 4903	(A,32,109)	Transistor	2SC4617	L 5605	(A,25,128)	Chip Beads	VTL1133				
D 3201	(A,65,123)	Diode	RB160M-40	L 5606	(A,25,130)	Chip Beads	VTL1133				
D 3300	(B,61,29)	Diode	RKZ5.6KG(B2)	L 5607	(A,26,128)	Chip Beads	VTL1133				
D 3301	(B,61,30)	Diode	RKZ5.6KG(B2)	L 5608	(A,26,130)	Chip Beads	VTL1133				C
D 3302	(B,61,32)	Diode	RKZ5.6KG(B2)	L 5609	(A,27,128)	Chip Beads	VTL1133				
D 3303	(B,61,34)	Diode	RKZ5.6KG(B2)	L 5610	(A,27,130)	Chip Beads	VTL1133				
D 4201	(B,35,46)	Diode	RB521G-30	L 5611	(A,28,128)	Chip Beads	VTL1133				
D 4202	(B,64,36)	Diode	RB521G-30	L 5612	(A,28,130)	Chip Beads	VTL1133				
D 4361	(A,21,133)	Diode	RB551V-30	L 5613	(A,29,128)	Chip Beads	VTL1133				
L 3200	(A,68,118)	Choke Coil 10 uH	CTH1435	L 5614	(A,29,130)	Chip Beads	VTL1133				
L 3300	(A,59,28)	Ferrite Bead	CTF1528	L 5615	(A,30,128)	Chip Beads	VTL1133				
L 3301	(A,64,28)	Ferrite Bead	CTF1528	L 5616	(A,30,130)	Chip Beads	VTL1133				
L 3302	(A,59,30)	Ferrite Bead	CTF1528	L 5617	(A,31,128)	Chip Beads	VTL1133				
L 3303	(A,57,32)	Ferrite Bead	CTF1528	L 5618	(A,34,126)	Chip Beads	VTL1133				
L 3360	(A,13,33)	Inductor	LCTAW2R7J2520	L 5619	(A,34,127)	Chip Beads	VTL1133				D
L 3361	(B,11,24)	Inductor	CTF1792	L 5620	(A,33,128)	Chip Beads	VTL1133				
L 4002	(B,56,99)	Inductor	CTF1736	L 5632	(B,33,134)	Inductor	CTF1635				
L 4005	(B,43,87)	Inductor	CTF1736	TH3201	(A,78,33)	Thermistor	CCX1084				
L 4006	(B,52,104)	Inductor	CTF1736	X 4001	(A,34,92)	Resonator 12.000 MHz	CSS1708				
L 4007	(B,42,88)	Inductor	CTF1736	X 4002	(A,36,98)	Resonator 32.768 kHz	CSS1777				
L 4010	(B,36,91)	Inductor	CTF1736	X 4652	(B,42,81)	Crystal Oscillator 24.576 MHz	ASS7102				
L 4011	(B,47,102)	Inductor	CTF1736	X 4901	(A,28,109)	Resonator 42.000 000 MHz	CSS1779				
L 4012	(B,47,103)	Inductor	CTF1736	X 4902	(A,29,89)	Resonator 24.576 MHz	CSS1699				
L 4013	(B,47,104)	Inductor	CTF1736	F 4001	(B,55,100)	Chip EMI Filter	VTL1171				
L 4014	(B,56,91)	Inductor	CTF1736	F 4003	(B,51,103)	Chip EMI Filter	VTL1171				
L 4015	(B,50,82)	Inductor	CTF1736	F 4005	(B,35,92)	Chip EMI Filter	VTL1171				
L 4016	(B,45,99)	Inductor	CTF1736	F 4201	(A,13,51)	EMI Filter	CCG1162				
L 4018	(B,41,89)	Inductor	CTF1736	F 4202	(A,13,61)	EMI Filter	CCG1162				
L 4202	(B,22,91)	Choke Coil 90 ohm	CTH1319	F 4204	(A,20,67)	EMI Filter	CCG1162				
L 4209	(A,10,69)	Inductor	CTF1739	F 4409	(A,28,69)	Chip EMI Filter	DTL1106				
L 4213	(A,12,89)	Inductor	CTF1739	F 4651	(B,45,81)	Chip EMI Filter	DTL1106				
L 4215	(A,16,63)	Inductor	CTF1739	F 4901	(B,18,124)	Chip EMI Filter	DTL1106				
L 4224	(B,56,42)	Choke Coil 1.2 uH	CTH1495	F 5005	(A,9,45)	Chip EMI Filter	DTF1106				
L 4225	(B,48,43)	Choke Coil 1.2 uH	CTH1495	⚠ P4201	(B,49,39)	Fuse 1.75 A	CEK1283				
L 4246	(A,19,51)	Inductor	CTF1739	⚠ P4202	(B,52,44)	Fuse 1.5 A	CEK1282				
L 4380	(B,24,66)	Chip EMI Filter	DTF1106	VA3300	(A,61,27)	Varistor	AVR-M1608C120MT6AB				F
L 4410	(A,53,75)	Inductor	CTF1736	VA3301	(A,66,30)	Varistor	AVR-M1608C120MT6AB				
L 4414	(A,26,69)	Inductor	CTF1736	VA3302	(A,60,29)	Varistor	AVR-M1608C120MT6AB				
L 4415	(A,28,64)	Inductor	CTF1736	VA3303	(A,59,32)	Varistor	AVR-M1608C120MT6AB				

1

2

3

4

Circuit Symbol and No.**Part No.****Circuit Symbol and No.****Part No.**

CN3201	(B,55,135) Connector	CKS5659	R 3383	(B,14,27)	RS1/16SS0R0J
			R 3386	(B,15,25)	RS1/16SS222J
CN3300	(B,69,30) Connector	CKS6327			
CN3303	(B,77,18) Connector	CKS6320	R 4000	(A,56,109)	RS1/16SS0R0J
CN3360	(B,18,23) Connector	CKS6117	R 4001	(B,58,96)	RS1/16SS222J
CN4602	(B,61,127) Connector	CKS6302	R 4002	(B,58,97)	RS1/16SS222J
CN5605	(B,38,142) Connector	CKS6278	R 4004	(B,59,108)	RS1/16SS103J
			R 4005	(A,63,43)	RS1/16SS103J
CN5607	(B,11,59) Connector	CKS6118			
CN5608	(B,11,93) Connector	CKS5732	R 4006	(B,58,99)	RS1/16SS182J
SN4201	(A,38,114) Sensor	S-58LM20A-N4	R 4007	(B,58,100)	RS1/16SS103J
			R 4008	(B,61,108)	RS1/16SS103J
			R 4009	(B,60,108)	RS1/16SS103J
			R 4010	(B,50,85)	RS1/16SS0R0J

RESISTORS

R 3200	(A,72,119)	RS1/16SS102J	R 4013	(A,32,96)	RS1/16SS103J
R 3201	(B,10,40)	RS1/16SS183J	R 4014	(B,47,101)	RS1/16SS0R0J
R 3202	(B,10,39)	RS1/16SS0R0J	R 4016	(B,48,104)	RS1/16SS6041F
R 3204	(A,68,130)	RS1/16SS472J	R 4017	(A,37,93)	RS1/16SS105J
R 3205	(A,67,131)	RS1/16SS1001D	R 4018	(B,48,103)	RS1/16SS0R0J
R 3206	(A,67,134)	RS1/16SS1004D	R 4020	(A,37,98)	RS1/16SS106J
R 3207	(A,68,133)	RS1/16SS6802D	R 4021	(A,33,96)	RS1/16SS103J
R 3209	(A,78,131)	RS1/16SS470J	R 4022	(A,37,96)	RS1/16SS101J
R 3210	(A,78,129)	RS1/16SS473J	R 4024	(A,36,94)	RS1/16SS471J
R 3211	(A,69,131)	RS1/16SS3002D	R 4025	(B,43,102)	RS1/16SS103J
R 3213	(A,78,128)	RS1/16SS103J	R 4026	(A,55,77)	RS1/16SS220J
R 3214	(A,68,135)	RS1/10SR0R0J	R 4027	(A,62,101)	RAB4CQ104J
R 3216	(A,59,119)	RS1/8SQ0R0J	R 4028	(A,58,101)	RAB4CQ104J
R 3217	(A,78,132)	RS1/16SS470J	R 4029	(A,61,107)	RAB4CQ104J
R 3218	(A,71,131)	RS1/10SR0R0J	R 4030	(B,48,101)	RS1/16SS102J
R 3219	(A,72,131)	RS1/10SR0R0J	R 4032	(B,49,84)	RS1/16SS0R0J
R 3220	(A,77,122)	RS1/16SS333J	R 4033	(A,57,81)	RS1/16SS220J
R 3221	(A,74,132)	RS1/10SR0R0J	R 4034	(A,63,39)	RS1/16SS103J
R 3222	(A,75,133)	RS1/10SR0R0J	R 4035	(A,63,38)	RS1/16SS103J
R 3325	(A,53,16)	RS1/10SR471J	R 4036	(A,63,41)	RS1/16SS103J
R 3330	(A,54,15)	RS1/10SR101J	R 4037	(A,63,42)	RS1/16SS103J
R 3335	(A,56,15)	RS1/10SR301J	R 4038	(A,61,104)	RAB4CQ104J
R 3336	(A,55,27)	RS1/16SS0R0J	R 4040	(A,63,37)	RS1/16SS103J
R 3337	(A,54,27)	RS1/16SS0R0J	R 4043	(B,33,90)	RS1/16SS222J
R 3338	(A,56,27)	RS1/16SS471J	R 4044	(B,34,92)	RS1/16SS222J
R 3339	(A,11,61)	RS1/10SR0R0J	R 4045	(B,61,84)	RS1/16SS222J
R 3343	(A,14,49)	RS1/16SS0R0J	R 4046	(A,63,40)	RS1/16SS103J
R 3344	(A,54,29)	RS1/16SS472J	R 4048	(A,14,96)	RS1/16SS222J
R 3345	(A,55,29)	RS1/16SS472J	R 4049	(A,14,101)	RS1/16SS222J
R 3360	(A,22,35)	RS1/16SS221J	R 4050	(A,33,88)	RS1/16SS104J
R 3361	(A,22,36)	RS1/16SS221J	R 4051	(A,33,87)	RS1/16SS104J
R 3362	(A,21,34)	RS1/16SS223J	R 4052	(A,40,108)	RS1/16SS104J
R 3363	(A,21,37)	RS1/16SS223J	R 4053	(A,31,99)	RS1/16SS104J
R 3364	(A,15,19)	RS1/16SS103J	R 4054	(A,31,103)	RS1/16SS104J
R 3365	(A,17,19)	RS1/16SS103J	R 4055	(A,31,87)	RS1/16SS684J
R 3366	(B,15,18)	RS1/16SS470J	R 4057	(B,35,101)	RS1/16SS821J
R 3367	(A,16,19)	RS1/16SS103J	R 4058	(B,50,106)	RS1/16SS222J
R 3368	(B,15,17)	RS1/16SS470J	R 4059	(B,42,96)	RS1/16SS153J
R 3369	(B,14,19)	RS1/16SS470J	R 4060	(A,33,102)	RS1/16SS222J
R 3371	(A,13,19)	RS1/16SS470J	R 4061	(B,38,102)	RS1/16SS104J
R 3372	(A,21,19)	RS1/16SS473J	R 4062	(A,35,103)	RS1/16SS222J
R 3373	(A,17,40)	RS1/16SS470J	R 4063	(B,52,102)	RS1/16SS222J
R 3374	(A,17,39)	RS1/16SS103J	R 4064	(A,38,96)	RS1/16SS103J
R 3375	(A,16,40)	RS1/16SS470J	R 4065	(A,34,103)	RS1/16SS222J
R 3376	(B,9,24)	RS1/16SS470J	R 4066	(A,52,109)	RS1/16SS0R0J
R 3377	(B,12,19)	RS1/16SS0R0J	R 4067	(A,51,109)	RS1/16SS0R0J
R 3378	(B,10,26)	RS1/16SS0R0J	R 4068	(B,45,86)	RS1/8SQ0R0J
R 3380	(B,14,21)	RS1/16SS223J	R 4069	(A,39,77)	RS1/16SS471J

1

2

3

4

5		6		7		8	
<u>Circuit Symbol and No.</u>		<u>Part No.</u>		<u>Circuit Symbol and No.</u>		<u>Part No.</u>	
R 4070	(A,31,101)	RS1/16SS102J		R 4210	(B,64,37)	RS1/16SS223J	
R 4071	(A,31,100)	RS1/16SS102J		R 4211	(B,36,45)	RS1/16SS223J	
R 4072	(A,31,102)	RS1/16SS102J		R 4212	(B,69,44)	RS1/16SS562J	A
R 4073	(B,49,104)	RS1/16SS272J		R 4213	(B,34,42)	RS1/16SS562J	
R 4101	(B,62,100)	RAB4CQ220J		R 4214	(B,54,47)	RS1/4S0R0J	
R 4102	(B,62,91)	RAB4CQ220J		R 4215	(B,44,38)	RS1/10SR0R0J	
R 4103	(B,62,88)	RAB4CQ220J		R 4216	(B,65,46)	RS1/10SR103J	
R 4104	(B,62,98)	RAB4CQ220J		R 4217	(B,37,40)	RS1/10SR103J	
R 4105	(B,63,75)	RAB4CQ220J		R 4218	(B,70,41)	RS1/16SS5102D	
R 4106	(B,63,81)	RAB4CQ220J		R 4219	(B,68,42)	RS1/16SS0R0J	
R 4107	(B,63,78)	RAB4CQ220J		R 4220	(B,70,44)	RS1/16SS2402D	
R 4108	(B,63,72)	RAB4CQ220J		R 4221	(B,35,44)	RS1/16SS1003D	
R 4109	(B,41,102)	RS1/16SS0R0J		R 4222	(B,36,44)	RS1/16SS9101D	
R 4110	(A,47,85)	RAB4CQ220J		R 4223	(B,33,42)	RS1/16SS2003D	
R 4111	(A,44,85)	RAB4CQ220J		R 4224	(B,52,37)	RS1/16SS0R0J	B
R 4112	(A,45,82)	RAB4CQ220J		R 4225	(B,46,46)	RS1/16SS0R0J	
R 4113	(A,42,82)	RAB4CQ220J		R 4226	(A,19,56)	RS1/16SS104J	
R 4114	(B,42,102)	RS1/16SS0R0J		R 4228	(A,19,41)	RS1/16SS103J	
R 4115	(A,44,104)	RS1/16SS560J		R 4229	(B,60,74)	RS1/10SR103J	
R 4116	(A,46,106)	RS1/16SS220J		R 4230	(B,58,74)	RS1/10SR102J	
R 4117	(A,45,104)	RS1/16SS220J		R 4231	(A,54,79)	RS1/16SS220J	
R 4118	(A,45,104)	RS1/16SS220J		R 4233	(A,18,105)	RS1/10SR0R0J	
R 4119	(A,44,106)	RS1/16SS220J		R 4234	(B,24,129)	RS1/10SR0R0J	
R 4120	(A,45,106)	RS1/16SS220J		R 4236	(B,54,79)	RS1/10SR103J	
R 4121	(A,39,80)	RS1/16SS0R0J		R 4237	(B,52,73)	RS1/10SR103J	C
R 4133	(A,40,81)	RS1/16SS330J		R 4238	(B,58,70)	RS1/10SR103J	
R 4134	(A,39,81)	RS1/16SS330J		R 4239	(A,63,73)	RS1/8SQ0R0J	
R 4135	(A,41,80)	RS1/16SS220J		R 4241	(A,42,136)	RS1/10SR103J	
R 4136	(A,52,80)	RS1/16SS220J		R 4242	(B,34,48)	RS1/8SQ0R0J	
R 4137	(A,51,80)	RS1/16SS470J		R 4243	(A,47,131)	RS1/8SQ0R0J	
R 4138	(A,40,80)	RS1/16SS0R0J		R 4246	(A,45,139)	RS1/10SR331J	
R 4139	(A,54,81)	RAB4CQ470J		R 4247	(B,56,79)	RS1/10SR561J	
R 4140	(A,51,82)	RAB4CQ470J		R 4249	(A,20,69)	RS1/10SR0R0J	
R 4141	(A,50,85)	RAB4CQ470J		R 4250	(B,39,50)	RS1/16SS0R0J	
R 4142	(A,48,82)	RAB4CQ470J		R 4251	(B,22,68)	RS1/16SS0R0J	
R 4143	(A,46,105)	RS1/16SS470J		R 4254	(B,60,98)	RS1/10SR103J	D
R 4144	(A,47,104)	RS1/16SS470J		R 4255	(A,12,93)	RS1/16SS101J	
R 4145	(B,46,106)	RAB4CQ680J		R 4256	(A,13,94)	RS1/16SS330J	
R 4146	(B,43,106)	RAB4CQ680J		R 4257	(B,64,52)	RS1/16SS0R0J	
R 4147	(A,38,81)	RS1/16SS330J		R 4259	(B,60,96)	RS1/10SR681J	
R 4148	(B,63,86)	RS1/16SS220J		R 4261	(A,47,139)	RS1/16SS102J	
R 4149	(B,63,86)	RS1/16SS220J		R 4262	(A,40,140)	RS1/16SS0R0J	
R 4150	(B,63,85)	RS1/16SS220J		R 4265	(B,22,101)	RS1/10SR0R0J	
R 4151	(B,63,84)	RS1/16SS220J		R 4266	(A,20,54)	RS1/16SS105J	
R 4152	(B,42,101)	RS1/16SS473J		R 4267	(A,23,43)	RS1/16SS0R0J	
R 4153	(B,42,104)	RS1/16SS103J		R 4268	(B,58,92)	RS1/10SR103J	
R 4154	(B,55,89)	RS1/16SS1501D		R 4269	(A,57,64)	RS1/10SR471J	E
R 4155	(B,53,89)	RS1/16SS1501D		R 4271	(B,58,90)	RS1/10SR101J	
R 4194	(A,52,105)	RS1/16SS0R0J		R 4275	(A,38,117)	RS1/16SS471J	
R 4196	(B,62,56)	RS1/16SS104J		R 4278	(A,29,73)	RS1/10SR0R0J	
R 4197	(B,62,62)	RS1/16SS104J		R 4281	(B,27,70)	RS1/16SS0R0J	
R 4198	(B,45,84)	RS1/16SS104J		R 4284	(B,22,72)	RS1/16SS103J	
R 4199	(A,41,85)	RS1/16SS272J		R 4285	(A,27,41)	RS1/16SS101J	
R 4200	(B,18,78)	RS1/10SR0R0J		R 4286	(B,22,73)	RS1/16SS103J	
R 4201	(A,11,71)	RS1/10SR0R0J		R 4287	(B,62,145) (A)	RS1/16SS0R0J	
R 4202	(B,16,78)	RS1/10SR0R0J		R 4288	(B,63,145) (B,C)	RS1/16SS0R0J	
R 4206	(A,65,44)	RS1/16SS4702D		R 4289	(B,64,145) (D)	RS1/16SS0R0J	F
R 4207	(A,64,44)	RS1/16SS1003D		R 4290	(B,66,145) (E,F)	RS1/16SS0R0J	
R 4208	(A,23,48)	RS1/16SS4702D		R 4291	(A,9,88) SMD Ferrite Beads	CTF1802	
R 4209	(A,22,49)	RS1/16SS1003D		R 4294	(B,45,73)	RS1/10SR102J	

1

2

3

4

Circuit Symbol and No.**Part No.****Circuit Symbol and No.****Part No.**

	R 4296	(A,11,74)	RS1/16SS0R0J	R 4424	(A,40,77)	RS1/16SS0R0J
	R 4298	(B,31,119)	RS1/16SS0R0J	R 4431	(B,78,70)	RS1/16SS471J
A	R 4299	(A,9,90) SMD Ferrite Beads	CTF1802	R 4432	(A,58,92)	RS1/16SS150J
	R 4304	(A,13,96) SMD Ferrite Beads	CTF1802	R 4433	(A,58,92)	RS1/16SS150J
	R 4305	(A,15,74)	RS1/16SS0R0J	R 4434	(A,61,79)	RS1/16SS390J
	R 4307	(B,21,68)	RS1/16SS0R0J	R 4435	(B,63,83)	RS1/16SS390J
	R 4308	(A,9,71)	RS1/16SS0R0J	R 4436	(A,64,90)	RS1/16SS560J
	R 4309	(B,21,66)	RS1/16SS0R0J	R 4437	(A,64,92)	RS1/16SS560J
	R 4310	(B,21,64)	RS1/16SS0R0J	R 4438	(A,63,79)	RS1/16SS560J
	R 4311	(A,9,63)	RS1/16SS0R0J	R 4439	(A,63,79)	RS1/16SS560J
	R 4313	(A,10,52) (A,B,C,E,F)	RS1/16SS0R0J	R 4440	(A,62,98)	RAB4CQ330J
	R 4315	(A,9,53)	RS1/16SS0R0J	R 4441	(A,62,96)	RAB4CQ330J
	R 4316	(A,9,58)	RS1/16SS0R0J	R 4442	(A,58,97)	RAB4CQ330J
B	R 4317	(A,13,95) SMD Ferrite Beads	CTF1802	R 4443	(A,58,94)	RAB4CQ330J
	R 4318	(A,14,46)	RS1/16SS0R0J	R 4444	(A,59,79)	RAB4CQ330J
	R 4319	(A,17,45)	RS1/16SS0R0J	R 4446	(A,40,69)	RS1/16SS104J
	R 4320	(A,11,79) SMD Ferrite Beads	CTF1802	R 4448	(A,31,66)	RS1/16SS104J
	R 4321	(A,10,79) SMD Ferrite Beads	CTF1802	R 4449	(A,41,69)	RS1/16SS104J
	R 4322	(A,9,83) SMD Ferrite Beads	CTF1802	R 4450	(B,79,69)	RS1/16SS1501D
	R 4323	(A,9,84) SMD Ferrite Beads	CTF1802	R 4451	(B,79,70)	RS1/16SS1501D
	R 4324	(A,11,84) SMD Ferrite Beads	CTF1802	R 4452	(B,63,94)	RS1/16SS1501D
	R 4325	(A,9,86) SMD Ferrite Beads	CTF1802	R 4453	(B,62,94)	RS1/16SS1501D
	R 4326	(A,12,86) SMD Ferrite Beads	CTF1802	R 4454	(A,64,67)	RS1/16SS1501D
	R 4327	(A,12,85) SMD Ferrite Beads	CTF1802	R 4455	(A,63,67)	RS1/16SS1501D
C	R 4328	(A,13,87) SMD Ferrite Beads	CTF1802	R 4456	(A,79,94)	RS1/16SS1501D
	R 4329	(A,9,79) SMD Ferrite Beads	CTF1802	R 4457	(A,79,95)	RS1/16SS1501D
	R 4334	(A,12,74)	RS1/16SS0R0J	R 4501	(B,48,106)	RS1/16SS470J
	R 4335	(A,14,74)	RS1/16SS0R0J	R 4502	(B,49,106)	RS1/16SS472J
	R 4341	(B,59,36)	RS1/10SR0R0J	R 4503	(B,43,111)	RAB4CQ563J
	R 4342	(A,79,108)	RS1/10SR0R0J	R 4504	(B,40,111)	RAB4CQ563J
	R 4343	(A,59,108)	RS1/10SR0R0J	R 4505	(B,45,112)	RS1/16SS0R0J
	R 4344	(A,61,53)	RS1/10SR0R0J	R 4506	(A,45,126)	RS1/10SR0R0J
	R 4361	(A,23,137)	RS1/10SR0R0J	R 4507	(A,47,127)	RS1/10SR0R0J
	R 4363	(A,21,135)	RS1/16SS0R0J	R 4603	(A,52,123)	RS1/16SS0R0J
	R 4365	(A,16,129)	RS1/10SR0R0J	R 4604	(A,52,135)	RS1/16SS220J
D	R 4380	(A,25,75)	RS1/10SR0R0J	R 4605	(A,52,131)	RS1/16SS220J
	R 4381	(B,21,89)	RS1/16SS0R0J	R 4606	(A,52,128)	RS1/16SS220J
	R 4383	(B,33,63)	RS1/16SS0R0J	R 4607	(A,52,119)	RS1/16SS220J
	R 4391	(A,24,46)	RS1/16SS0R0J	R 4608	(A,52,116)	RS1/16SS220J
	R 4392	(A,38,111)	RS1/16SS0R0J	R 4609	(A,54,113)	RS1/16SS0R0J
	R 4393	(A,14,44)	RS1/16SS0R0J	R 4610	(A,55,111)	RS1/16SS0R0J
	R 4395	(A,20,46)	RS1/16SS0R0J	R 4611	(A,54,112)	RS1/16SS0R0J
	R 4397	(B,23,69)	RS1/16SS0R0J	R 4617	(B,47,51)	RS1/16SS103J
	R 4401	(B,80,105)	RAB4CQ220J	R 4618	(B,62,59)	RS1/16SS104J
	R 4402	(B,80,102)	RAB4CQ220J	R 4619	(B,61,57)	RS1/16SS104J
E	R 4403	(B,80,99)	RAB4CQ220J	R 4620	(B,62,60)	RS1/16SS104J
	R 4404	(A,78,92)	RS1/16SS471J	R 4622	(B,60,61)	RS1/16SS101J
	R 4405	(B,80,96)	RAB4CQ220J	R 4623	(B,60,60)	RS1/16SS0R0J
	R 4406	(B,80,58)	RAB4CQ220J	R 4624	(B,60,59)	RS1/16SS101J
	R 4407	(B,80,60)	RAB4CQ220J	R 4625	(B,60,58)	RS1/16SS101J
	R 4408	(B,80,63)	RAB4CQ220J	R 4628	(B,58,52)	RS1/16SS0R0J
	R 4409	(B,80,66)	RAB4CQ220J	R 4631	(B,54,71)	RS1/16SS151J
	R 4410	(B,80,94)	RS1/16SS220J	R 4633	(B,59,52)	RS1/16SS0R0J
	R 4411	(B,80,93)	RS1/16SS220J	R 4634	(B,56,51)	RS1/16SS0R0J
	R 4412	(B,79,73)	RS1/16SS220J	R 4635	(B,60,54)	RS1/16SS0R0J
F	R 4413	(B,79,72)	RS1/16SS220J	R 4636	(B,46,51)	RS1/16SS0R0J
	R 4414	(A,52,77)	RS1/16SS103J	R 4637	(B,48,71)	RS1/16SS0R0J
	R 4415	(A,64,70)	RS1/16SS471J	R 4638	(B,46,51)	RS1/16SS0R0J
	R 4419	(A,52,78)	RS1/16SS473J	R 4639	(B,45,51)	RS1/16SS0R0J
	R 4420	(B,64,92)	RS1/16SS471J	R 4640	(A,63,36)	RS1/16SS473J

1

2

3

4

5
Circuit Symbol and No.

6
Part No.

7
Circuit Symbol and No.

8
Part No.

R 4641	(A,63,33)	RS1/16SS473J	R 4901	(A,19,110)	RS1/16SS151J
R 4642	(A,63,34)	RS1/16SS473J	R 4902	(A,18,110)	RS1/16SS151J
R 4643	(A,63,35)	RS1/16SS473J	R 4904	(A,25,107)	RS1/16SS151J
R 4647	(B,50,51)	RS1/16SS103J	R 4905	(A,25,111)	RS1/16SS151J
R 4648	(B,51,51)	RS1/16SS103J	R 4906	(A,24,111)	RS1/16SS151J
R 4649	(B,54,51)	RS1/16SS103J	R 4907	(A,24,107)	RS1/16SS151J
R 4652	(A,16,98)	RS1/16SS0R0J	R 4908	(A,25,109)	RS1/16SS151J
R 4661	(B,26,86)	RS1/16SS0R0J	R 4909	(A,24,109)	RS1/16SS151J
R 4667	(B,38,81)	RS1/16SS101J	R 4910	(A,23,109)	RS1/16SS151J
R 4668	(B,21,76)	RS1/10SR0R0J	R 4911	(A,23,107)	RS1/16SS151J
R 4669	(B,27,76)	RS1/16SS0R0J	R 4912	(A,22,109)	RS1/16SS151J
R 4670	(B,27,77)	RS1/16SS0R0J	R 4913	(A,22,111)	RS1/16SS151J
R 4671	(B,29,75)	RS1/16SS0R0J	R 4914	(A,23,111)	RS1/16SS151J
R 4677	(B,29,76)	RS1/16SS0R0J	R 4915	(A,21,109)	RS1/16SS151J
R 4678	(B,38,80)	RS1/16SS0R0J	R 4916	(A,21,111)	RS1/16SS151J
R 4679	(B,36,77)	RS1/16SS330J	R 4917	(A,21,107)	RS1/16SS151J
R 4680	(B,36,76)	RS1/16SS330J	R 4918	(A,20,109)	RS1/16SS151J
R 4681	(B,36,76)	RS1/16SS0R0J	R 4919	(A,20,107)	RS1/16SS151J
R 4682	(B,34,76)	RS1/16SS0R0J	R 4920	(A,20,111)	RS1/16SS151J
R 4683	(B,26,88)	RS1/16SS1000D	R 4921	(B,32,110)	RS1/16SS152J
R 4684	(B,26,87)	RS1/16SS1000D	R 4922	(A,36,119)	RS1/16SS0R0J
R 4685	(B,32,72)	RS1/16SS0R0J	R 4923	(A,36,118)	RS1/16SS0R0J
R 4686	(B,33,72)	RS1/16SS0R0J	R 4924	(A,21,81)	RS1/16SS561J
R 4687	(B,35,72)	RS1/16SS0R0J	R 4925	(A,36,120)	RS1/16SS0R0J
R 4688	(B,36,72)	RS1/16SS0R0J	R 4926	(A,28,111)	RS1/16SS274J
R 4702	(B,23,59)	RS1/16SS0R0J	R 4928	(A,16,112)	RS1/16SS0R0J
R 4703	(B,26,48)	RS1/16SS0R0J	R 4929	(A,16,113)	RS1/16SS0R0J
R 4704	(B,25,48)	RS1/16SS0R0J	R 4930	(A,15,114)	RS1/16SS0R0J
R 4707	(B,26,56)	RS1/16SS473J	R 4932	(A,17,106)	RS1/16SS223J
R 4708	(B,23,48)	RS1/16SS104J	R 4933	(B,22,114)	RS1/16SS104J
R 4709	(B,22,55)	RS1/16SS103J	R 4937	(A,18,77)	RS1/10SR0R0J
R 4710	(B,22,58)	RS1/16SS223J	R 4951	(B,33,112)	RS1/16SS821J
R 4771	(A,52,136)	RS1/16SS103J	R 4955	(A,34,115)	RS1/16SS0R0J
R 4772	(A,52,132)	RS1/16SS103J	R 4956	(A,35,115)	RS1/16SS0R0J
R 4773	(A,52,129)	RS1/16SS103J	R 4957	(B,27,115)	RS1/16SS0R0J
R 4774	(A,52,122)	RS1/16SS103J	R 4958	(A,34,114)	RS1/16SS0R0J
R 4775	(A,52,118)	RS1/16SS103J	R 4960	(A,32,111)	RS1/16SS152J
R 4776	(A,52,115)	RS1/16SS103J	R 4961	(A,30,110)	RS1/16SS1001D
R 4777	(A,54,111)	RS1/16SS0R0J	R 4962	(A,31,109)	RS1/16SS1201F
R 4779	(A,58,112)	RS1/16SS0R0J	R 4963	(B,31,112)	RS1/10SR0R0J
R 4801	(A,32,83)	RS1/16SS470J	R 4966	(A,22,84)	RS1/16SS222J
R 4802	(A,32,84)	RS1/16SS470J	R 4994	(A,32,85)	RS1/16SS470J
R 4803	(A,28,76)	RS1/16SS470J	R 5453	(A,35,39)	RS1/16SS153J
R 4804	(A,28,77)	RS1/16SS470J	R 5454	(A,41,39)	RS1/16SS153J
R 4805	(A,29,76)	RS1/16SS470J	R 5455	(A,37,39)	RS1/10SR473J
R 4806	(A,27,77)	RS1/16SS470J	R 5456	(A,39,39)	RS1/10SR473J
R 4807	(A,32,78)	RS1/16SS470J	R 5457	(A,35,42)	RS1/10SR103J
R 4808	(A,32,79)	RS1/16SS470J	R 5458	(A,43,42)	RS1/10SR103J
R 4809	(A,33,80)	RS1/16SS470J	R 5600	(B,47,139)	RS1/16SS470J
R 4810	(A,32,81)	RS1/16SS470J	R 5601	(B,46,139)	RS1/16SS271J
R 4811	(A,32,82)	RS1/16SS470J	R 5602	(B,46,137)	RS1/16SS271J
R 4812	(A,24,84)	RS1/16SS6801D	R 5603	(B,45,139)	RS1/16SS271J
R 4813	(A,29,86)	RS1/16SS0R0J	R 5604	(B,45,137)	RS1/16SS271J
R 4814	(A,26,77)	RS1/16SS0R0J	R 5605	(B,44,139)	RS1/16SS271J
R 4815	(A,33,81)	RS1/16SS470J	R 5606	(B,43,137)	RS1/16SS271J
R 4816	(A,23,80)	RS1/16SS103J	R 5607	(B,43,139)	RS1/16SS271J
R 4817	(A,25,87)	RS1/16SS470J	R 5608	(B,42,137)	RS1/16SS271J
R 4818	(A,26,88)	RS1/16SS300J	R 5609	(B,42,139)	RS1/16SS271J
R 4819	(A,25,77)	RS1/16SS0R0J	R 5610	(B,41,137)	RS1/16SS271J
R 4821	(A,23,78)	RS1/16SS0R0J	R 5611	(B,41,139)	RS1/16SS271J

1

2

3

4

Circuit Symbol and No.**Part No.****Circuit Symbol and No.****Part No.**

A	R 5612	(B,40,137)	RS1/16SS271J	C 3367	(A,14,29)	CKSSYB102K50
	R 5613	(B,39,139)	RS1/16SS271J	C 3368	(B,15,23)	CKSQYB106K6R3
	R 5614	(B,39,137)	RS1/16SS271J	C 3369	(B,13,23)	CKSQYB106K6R3
	R 5615	(B,38,139)	RS1/16SS271J	C 3370	(A,19,25)	CKSSYB104K10
	R 5616	(B,38,137)	RS1/16SS271J	C 3371	(A,18,26)	CKSSYB104K10
B	R 5617	(B,37,139)	RS1/16SS271J	C 3372	(B,21,29)	CKSSYB104K10
	R 5618	(B,37,137)	RS1/16SS271J	C 3373	(B,16,29)	CKSSYB104K10
	R 5619	(A,34,141)	RS1/16SS0R0J	C 3375	(B,14,26)	CKSSYB105K6R3
	R 5620	(B,35,139)	RS1/16SS271J	C 4001	(A,38,99)	CCSSCH101J50
	R 5621	(B,35,137)	RS1/16SS271J	C 4002	(B,54,98)	CKSQYB106K6R3
C	R 5622	(B,34,138)	RS1/16SS271J	C 4003	(B,53,87)	CKSSYB102K50
	R 5623	(B,33,139)	RS1/16SS271J	C 4004	(B,53,88)	CKSRYB104K16
	R 5624	(A,33,142)	RS1/16SS0R0J	C 4005	(B,56,97)	CKSSYB104K10
	R 5625	(A,34,142)	RS1/16SS0R0J	C 4007	(B,51,84)	CKSSYB104K10
	R 5626	(A,34,123)	RS1/16SS0R0J	C 4008	(B,54,91)	CKSSYB104K10
Chip Beads	R 5627	(A,34,125)	RS1/16SS0R0J	C 4009	(B,48,84)	CKSSYB104K10
	R 5629	(B,33,137)	RS1/16SS271J	C 4010	(B,54,93)	CKSSYB102K50
	R 5738	(A,32,128)	VTL1133	C 4011	(B,54,94)	CKSSYB102K50
	R 5783	(A,38,25)	RS1/10SR393J	C 4012	(B,54,94)	CKSSYB102K50
	R 5784	(A,41,20)	RS1/10SR393J	C 4013	(B,54,95)	CKSSYB102K50
C	R 5819	(A,28,97)	RS1/16SS0R0J	C 4014	(B,54,96)	CKSSYB102K50
	R 5820	(A,29,99)	RS1/16SS0R0J	C 4015	(B,54,97)	CKSSYB102K50
	R 5821	(A,28,101)	RS1/16SS0R0J	C 4016	(B,51,92)	CKSSYB102K50
	R 5822	(A,28,99)	RS1/16SS0R0J	C 4017	(B,51,93)	CKSSYB102K50
	R 5823	(A,27,97)	RS1/16SS0R0J	C 4018	(B,51,94)	CKSSYB104K10
C	R 5830	(A,29,101)	RS1/16SS0R0J	C 4019	(B,51,94)	CKSSYB102K50
	R 5831	(A,27,101)	RS1/16SS0R0J	C 4020	(B,51,95)	CKSSYB102K50
	R 5832	(A,26,95)	RS1/16SS0R0J	C 4021	(B,51,96)	CKSSYB104K10
	R 5833	(A,26,97)	RS1/16SS0R0J	C 4022	(B,51,98)	CKSSYB104K10
	R 5834	(A,25,95)	RS1/16SS0R0J	C 4023	(B,50,93)	CKSSYB104K10
C	R 5835	(A,24,95)	RS1/16SS0R0J	C 4026	(B,50,96)	CKSSYB104K10
	R 5862	(B,11,21)	RS1/16SS0R0J	C 4027	(B,51,97)	CKSSYB104K10
				C 4028	(B,51,98)	CKSSYB104K10
				C 4029	(B,56,82)	CKSSYB103K16
				C 4030	(B,55,82)	CKSSYB103K16

CAPACITORS

D	C 3200	(A,76,121)	CKSRYB105K16	C 4031	(B,49,90)	CKSSYB102K50
	C 3201	(B,10,38)	CKSSYB104K10	C 4032	(B,50,98)	CKSSYB104K10
	C 3202	(B,11,39)	CKSSYB104K10	C 4033	(B,49,99)	CKSSYB104K10
	C 3203	(A,66,130)	CKSRYB224K16	C 4034	(B,49,91)	CKSSYB104K10
	C 3204	(A,73,120)	CKSRYB105K16	C 4035	(B,49,90)	CKSSYB102K50
10 uF	C 3205	(A,75,118)	CKSYB105K35	C 4036	(B,49,98)	CKSSYB104K10
	C 3206	(A,78,128)	CCSSCH151J50	C 4037	(B,49,91)	CKSSYB104K10
	C 3207	(A,65,126)	CCG1236	C 4038	(B,48,93)	CKSSYB104K10
	C 3209	(A,67,133)	CKSSYB561K50	C 4039	(B,48,98)	CKSSYB104K10
	C 3210	(A,65,125)	CKSRYB103K50	C 4040	(B,56,82)	CKSSYB103K16
E	C 3211	(A,63,114)	CKSRYB104K50	C 4041	(B,48,93)	CKSSYB104K10
	C 3212	(A,61,114)	CCG1236	C 4042	(B,48,100)	CKSSYB104K10
	C 3309	(A,51,24)	CKSRYB104K16	C 4043	(B,47,93)	CKSSYB104K10
	C 3310	(A,56,26)	CCSSCH101J50	C 4044	(B,48,98)	CKSSYB104K10
	C 3312	(A,62,27)	CCSRCH102J50	C 4045	(B,47,91)	CKSSYB104K10
C	C 3313	(A,66,28)	CCSRCH102J50	C 4046	(B,47,98)	CKSSYB104K10
	C 3314	(A,62,29)	CCSRCH102J50	C 4047	(B,46,91)	CKSSYB104K10
	C 3315	(A,60,32)	CCSRCH102J50	C 4048	(B,46,98)	CKSSYB104K10
	C 3360	(A,24,34)	CKSSYB222K50	C 4049	(B,45,91)	CKSSYB104K10
	C 3361	(A,24,37)	CKSSYB222K50	C 4050	(B,45,98)	CKSSYB104K10
F	C 3362	(A,18,34)	CKSQYB106K6R3	C 4051	(B,45,91)	CKSSYB104K10
	C 3363	(A,18,36)	CKSQYB106K6R3	C 4052	(B,47,100)	CKSSYB104K10
	C 3364	(A,16,31)	CKSQYB106K6R3	C 4053	(B,45,90)	CKSSYB104K10
	C 3365	(A,17,31)	CKSSYB102K50	C 4054	(B,43,92)	CKSSYB104K10
	C 3366	(A,13,30)	CKSQYB106K6R3	C 4055	(B,46,93)	CKSSYB104K10

1

2

3

4

5		6		7		8	
<u>Circuit Symbol and No.</u>		<u>Part No.</u>		<u>Circuit Symbol and No.</u>		<u>Part No.</u>	
C 4056	(B,45,93)	CKSSYB104K10		C 4227	(B,62,38) 10 uF	DCH1201	
C 4057	(B,43,94)	CKSSYB104K10		C 4228	(B,43,46) 10 uF	DCH1201	
C 4059	(B,43,95)	CKSSYB104K10		C 4229	(A,18,62)	CKSSYB104K10	A
C 4060	(B,45,96)	CKSSYB104K10		C 4230	(B,61,46) 10 uF	DCH1201	
C 4061	(B,44,97)	CKSSYB104K10		C 4231	(B,45,39) 10 uF	DCH1201	
C 4062	(B,44,98)	CKSSYB104K10		C 4232	(B,61,49) 47 uF	CCG1233	
C 4063	(B,43,91)	CKSSYB104K10		C 4233	(B,40,38) 47 uF	CCG1233	
C 4064	(B,43,93)	CKSSYB104K10		C 4236	(B,54,38) 10 uF	CCG1234	
C 4065	(B,43,95)	CKSSYB104K10		C 4237	(B,44,48) 10 uF	CCG1234	
C 4066	(B,42,94)	CKSSYB104K10		C 4238	(B,53,38) 10 uF	CCG1234	
C 4069	(B,40,96)	CKSSYB104K10		C 4239	(B,46,48) 10 uF	CCG1234	
C 4070	(B,40,94)	CKSSYB104K10		C 4240	(A,23,64)	CKSSYB392K50	
C 4071	(B,50,88)	CKSQYB106K6R3		C 4241	(B,57,38) 100 uF	CCG1232	
C 4072	(B,51,101)	CKSQYB106K6R3		C 4242	(B,48,47) 100 uF	CCG1232	B
C 4073	(B,41,93)	CKSSYB104K10		C 4243	(A,19,57)	CKSSYB102K50	
C 4074	(B,45,89)	CKSRYB105K10		C 4244	(B,61,68)	CKSSYB104K10	
C 4075	(B,44,87)	CKSSYB104K10		C 4245	(B,54,73)	CKSRYB474K16	
C 4076	(B,42,99)	CKSSYB104K10		C 4246	(A,20,45)	CKSSYB104K10	
C 4077	(B,43,101)	CKSSYB104K10		C 4247	(A,24,44)	CKSSYB104K10	
C 4078	(B,52,103)	CKSSYB104K10		C 4248	(B,23,129)	CKSRYB105K10	
C 4079	(B,40,95)	CKSSYB104K10		C 4249	(A,18,102)	CKSRYB105K10	
C 4080	(B,42,96)	CKSSYB104K10		C 4251	(A,22,101)	CKSRYB105K10	
C 4081	(B,43,99)	CKSSYB104K10		C 4252	(B,20,128)	CKSRYB105K10	
C 4082	(B,43,103)	CKSSYB104K10		C 4255	(A,47,138)	CKSSYB104K10	
C 4083	(B,41,90)	CKSRYB105K10		C 4256	(B,51,82)	CKSSYB104K10	C
C 4084	(B,40,92)	CKSRYB105K10		C 4257	(A,20,70)	CKSRYB105K10	
C 4086	(B,37,94)	CKSQYB106K6R3		C 4259	(A,19,74)	CKSRYB105K10	
C 4087	(B,42,97)	CKSRYB105K10		C 4260	(B,60,103)	CKSSYB104K10	
C 4088	(B,37,91)	CKSSYB104K10		C 4261	(B,39,52)	CKSSYB103K16	
C 4089	(B,45,101)	CKSRYB105K10		C 4265	(B,58,95)	CKSSYB104K10	
C 4090	(B,44,103)	CKSRYB105K10		C 4266	(B,50,47) 100 uF	CCG1232	
C 4091	(B,45,103)	CKSRYB105K10		C 4267	(A,55,39) 100 uF	CCG1232	
C 4092	(A,34,89)	CCSSCH120J50		C 4269	(A,22,53)	CKSSYB103K16	
C 4093	(A,35,100)	CCSSCH220J50		C 4270	(B,64,49)	CKSSYB103K16	
C 4094	(A,34,96)	CCSSCH220J50		C 4271	(A,45,129)	CKSSYB104K10	D
C 4095	(A,34,94)	CCSSCH120J50		C 4272	(A,36,133)	CKSSYB104K10	
C 4096	(B,55,91)	CKSRYB105K10		C 4273	(A,38,112)	CKSSYB104K10	
C 4097	(B,51,83)	CKSRYB105K10		C 4278	(A,39,117)	CKSSYB104K10	
C 4098	(B,57,82)	CKSSYB103K16		C 4361	(A,32,137)	CKSQYB106K6R3	
C 4103	(B,47,88) 47 uF	CCG1251		C 4362	(A,28,135)	CKSSYB104K10	
C 4104	(B,49,101)	CKSSYB104K10		C 4363	(A,28,139)	CKSSYB104K10	
C 4201	(A,12,53)	CKSSYB104K10		C 4364	(A,25,137)	CKSQYB105K16	
C 4202	(A,12,59)	CKSSYB104K10		C 4365	(B,12,128)	CEVW101M16	
C 4204	(A,20,65)	CKSSYB104K10		C 4380	(B,26,67)	CKSRYB104K16	
C 4205	(A,15,53) 10 uF	DCH1201		C 4401	(A,63,105)	CKSSYB103K16	
C 4206	(A,15,58) 10 uF	DCH1201		C 4402	(A,63,104)	CKSSYB103K16	E
C 4208	(A,23,66) 10 uF	DCH1201		C 4403	(A,64,101)	CKSSYB103K16	
C 4209	(A,15,55) 10 uF	DCH1201		C 4404	(A,64,97)	CKSSYB103K16	
C 4210	(A,15,56) 10 uF	DCH1201		C 4405	(A,64,94)	CKSSYB103K16	
C 4212	(A,25,66) 10 uF	DCH1201		C 4406	(A,64,85)	CKSSYB103K16	
C 4213	(B,64,38)	CKSSYB104K10		C 4407	(A,79,82)	CKSQYB106K6R3	
C 4214	(B,37,45)	CKSSYB104K10		C 4408	(B,71,55)	CKSRYB105K10	
C 4215	(A,17,59)	CKSSYB104K10		C 4409	(A,78,102)	CKSSYB103K16	
C 4216	(B,68,44)	CCSSCH101J50		C 4410	(A,78,97)	CKSSYB103K16	
C 4217	(B,35,42)	CCSSCH101J50		C 4411	(A,74,81)	CKSSYB104K10	
C 4218	(B,69,45)	CCSSCH102J50		C 4412	(A,78,94)	CKSSYB103K16	F
C 4219	(B,35,40)	CKSSYB472K50		C 4413	(B,64,107)	CKSRYB105K10	
C 4222	(B,70,42)	CCSSCH470J50		C 4414	(A,79,57)	CKSSYB103K16	
C 4223	(B,35,43)	CCSSCH470J50		C 4415	(A,79,58)	CKSSYB103K16	
C 4224	(A,22,60)	CKSSYB392K50		C 4416	(A,79,62)	CKSSYB103K16	

	1		2		3		4	
	<u>Circuit Symbol and No.</u>		<u>Part No.</u>		<u>Circuit Symbol and No.</u>		<u>Part No.</u>	
A	C 4417	(A,78,65)	CKSSYB103K16	C 4651	(B,44,82)	CKSSYB104K10		
	C 4418	(A,78,69)	CKSSYB103K16	C 4653	(B,31,87) 4.7 uF	CCG1201		
	C 4419	(A,78,78)	CKSSYB103K16	C 4661	(B,32,76) 4.7 uF	CCG1201		
	C 4420	(A,76,54)	CKSQYB106K6R3	C 4662	(B,36,79) 4.7 uF	CCG1201		
	C 4421	(A,72,55)	CKSRYB105K10	C 4665	(B,37,82) 4.7 uF	CCG1201		
	C 4422	(A,64,61)	CKSSYB103K16	C 4666	(B,24,78) 4.7 uF	CCG1201		
	C 4423	(A,64,65)	CKSSYB103K16	C 4667	(B,28,87) 4.7 uF	CCG1201		
	C 4424	(A,71,54)	CKSSYB104K10	C 4668	(B,29,74)	CKSRYB105K10		
	C 4425	(A,64,69)	CKSSYB103K16	C 4670	(B,25,83) 4.7 uF	CCG1201		
	C 4426	(A,75,82)	CKSRYB105K10	C 4671	(B,24,80) 4.7 uF	CCG1201		
	C 4427	(B,78,106)	CKSSYB103K16	C 4701	(B,27,56)	CKSSYB104K10		
	C 4428	(B,78,103)	CKSSYB103K16	C 4781	(B,37,78) 10 uF	CCG1234		
	C 4429	(B,78,100)	CKSSYB103K16	C 4784	(B,60,69)	CKSRYB105K10		
B	C 4430	(B,78,97)	CKSSYB103K16	C 4785	(A,50,134)	CKSRYB105K10		
	C 4431	(B,78,94)	CKSSYB103K16	C 4786	(B,40,64)	CKSRYB105K10		
	C 4432	(B,78,85)	CKSSYB103K16	C 4803	(B,29,123)	CKSSYB103K16		
	C 4433	(B,69,107)	CKSQYB106K6R3	C 4804	(B,26,123)	CKSSYB103K16		
	C 4435	(B,64,102)	CKSSYB103K16	C 4805	(B,25,123)	CKSSYB103K16		
	C 4436	(B,64,98)	CKSSYB103K16	C 4806	(B,23,123)	CKSSYB103K16		
	C 4437	(A,51,76)	CKSSYB104K10	C 4807	(B,23,126)	CKSSYB103K16		
	C 4438	(B,63,105)	CKSSYB104K10	C 4808	(B,21,123)	CKSSYB103K16		
	C 4439	(B,64,94)	CKSSYB103K16	C 4809	(B,29,123)	CKSSYB103K16		
	C 4441	(A,52,76)	CKSRYB105K10	C 4810	(B,27,121)	CKSSYB103K16		
	C 4442	(B,64,56)	CKSSYB103K16	C 4811	(B,29,122)	CKSSYB103K16		
C	C 4443	(B,64,58)	CKSSYB103K16	C 4812	(B,28,123)	CKSSYB103K16		
	C 4444	(B,64,62)	CKSSYB103K16	C 4813	(B,28,121)	CKSSYB103K16		
	C 4445	(B,64,66)	CKSSYB103K16	C 4814	(B,27,121)	CKSSYB103K16		
	C 4446	(B,64,69)	CKSSYB103K16	C 4815	(B,29,121)	CKSSYB103K16		
	C 4447	(B,65,79)	CKSSYB103K16	C 4816	(B,27,119)	CKSSYB103K16		
	C 4448	(B,67,54)	CKSQYB106K6R3	C 4817	(B,27,119)	CKSSYB103K16		
	C 4450	(B,78,60)	CKSSYB103K16	C 4818	(B,28,119)	CKSSYB103K16		
	C 4451	(B,78,65)	CKSSYB103K16	C 4819	(B,29,119)	CKSSYB103K16		
	C 4452	(B,72,54)	CKSSYB104K10	C 4820	(B,30,121)	CKSSYB103K16		
	C 4453	(B,78,69)	CKSSYB103K16	C 4821	(B,29,119)	CKSSYB103K16		
	C 4455	(A,28,65)	CKSSYB104K10	C 4822	(B,30,118)	CKSSYB104K10		
D	C 4456	(A,27,70)	CKSSYB104K10	C 4823	(B,29,115)	CKSSYB104K10		
	C 4457	(A,30,70)	CKSQYB106K6R3	C 4824	(B,28,117)	CKSSYB104K10		
	C 4458	(A,32,70)	CKSSYB104K10	C 4825	(B,29,117)	CKSSYB104K10		
	C 4459	(A,40,70)	CKSSYB104K10	C 4826	(B,28,115)	CKSSYB104K10		
	C 4511	(A,43,124)	CKSSYB105K6R3	C 4827	(B,27,117)	CKSSYB104K10		
	C 4512	(A,46,122)	CKSRYB105K10	C 4828	(B,28,114)	CKSSYB104K10		
	C 4513	(A,41,124)	CKSSYB104K10	C 4829	(A,34,122)	CKSSYB104K10		
	C 4514	(A,42,123)	CKSSYB104K10	C 4830	(A,36,121)	CKSSYB104K10		
	C 4515	(A,40,124)	CKSSYB104K10	C 4831	(A,34,121)	CKSSYB104K10		
	C 4516	(A,42,121)	CKSSYB104K10	C 4832	(A,34,120)	CKSSYB104K10		
E	C 4517	(A,41,119)	CKSSYB104K10	C 4833	(A,34,118)	CKSSYB104K10		
	C 4518	(A,44,121)	CKSSYB104K10	C 4834	(A,34,119)	CKSSYB104K10		
	C 4519	(A,43,121)	CKSSYB104K10	C 4835	(A,34,116)	CKSSYB104K10		
	C 4520	(A,39,122)	CKSSYB104K10	C 4836	(A,34,117)	CKSSYB104K10		
	C 4521	(A,40,121)	CKSSYB104K10	C 4837	(B,28,113)	CKSSYB103K16		
	C 4522	(A,39,124)	CKSRYB105K10	C 4838	(B,26,123)	CKSSYB103K16		
	C 4607	(A,55,113)	CKSSYB104K10	C 4839	(B,26,122)	CKSSYB103K16		
	C 4608	(A,57,111)	CKSSYB104K10	C 4840	(B,25,123)	CKSSYB103K16		
	C 4613	(B,41,59)	CKSSYB473K16	C 4841	(B,25,122)	CKSSYB103K16		
	C 4621	(B,60,57)	CKSSYB473K16	C 4842	(B,23,122)	CKSSYB103K16		
F	C 4622	(B,58,53)	CKSSYB473K16	C 4843	(B,23,122)	CKSSYB103K16		
	C 4623	(B,49,51)	CKSSYB473K16	C 4844	(B,22,122)	CKSSYB103K16		
	C 4624	(B,41,54)	CKSSYB473K16	C 4845	(B,21,122)	CKSSYB103K16		
	C 4625	(B,49,70)	CKSSYB473K16	C 4846	(B,22,120)	CKSSYB103K16		
	C 4626	(B,56,70)	CKSSYB473K16	C 4847	(B,23,120)	CKSSYB103K16		

5
Circuit Symbol and No.

6
Part No.

7
Circuit Symbol and No.

8
Part No.

C 4848	(B,21,120)	CKSSYB103K16
C 4849	(B,20,120)	CKSSYB103K16
C 4850	(B,20,119)	CKSSYB103K16
C 4851	(B,20,118)	CKSSYB103K16
C 4852	(B,21,118)	CKSSYB103K16
C 4853	(B,21,119)	CKSSYB103K16
C 4854	(B,22,119)	CKSSYB103K16
C 4855	(B,23,119)	CKSSYB103K16
C 4856	(B,20,116)	CKSSYB103K16
C 4857	(B,21,114)	CKSSYB103K16
C 4858	(B,21,116)	CKSSYB103K16
C 4859	(B,22,116)	CKSSYB103K16
C 4860	(B,22,114)	CKSSYB103K16
C 4861	(B,23,116)	CKSSYB103K16
C 4862	(B,23,117)	CKSSYB103K16
C 4863	(B,23,116)	CKSSYB103K16
C 4864	(B,24,117)	CKSSYB103K16
C 4865	(B,24,116)	CKSSYB103K16
C 4866	(B,25,117)	CKSSYB103K16
C 4867	(B,26,118)	CKSSYB103K16
C 4868	(B,25,119)	CKSSYB103K16
C 4869	(B,25,115)	CKSSYB103K16
C 4870	(B,23,114)	CKSSYB103K16
C 4871	(B,24,114)	CKSSYB103K16
C 4872	(B,25,114)	CKSSYB103K16
C 4901	(B,29,124)	CKSSYB103K16
C 4902	(B,26,124)	CKSSYB103K16
C 4903	(B,25,124)	CKSSYB103K16
C 4904	(B,23,124)	CKSSYB103K16
C 4905	(B,22,126)	CKSSYB103K16
C 4906	(B,21,124)	CKSSYB103K16
C 4912	(A,35,117)	CKSSYB104K10
C 4913	(B,30,115)	CKSSYB104K10
C 4914	(B,30,115)	CKSSYB104K10
C 4915	(B,30,113)	CKSSYB104K10
C 4916	(B,30,116)	CKSSYB104K10
C 4917	(B,30,117)	CKSSYB104K10
C 4918	(B,32,113)	CKSSYB474K6R3
C 4920	(A,17,115)	CCSSCH101J50
C 4921	(A,34,77)	CKSQYB106K6R3
C 4922	(A,16,83)	CKSQYB106K6R3
C 4924	(A,18,82)	CKSQYB106K6R3
C 4925	(A,22,82)	CKSSYB333K16
C 4926	(A,24,81)	CKSSYB104K10
C 4928	(A,24,83)	CKSSYB104K10
C 4929	(A,24,82)	CKSSYB104K10
C 4931	(A,24,85)	CKSSYB104K10
C 4932	(A,29,87)	CCSSCH7R0D50
C 4933	(A,26,86)	CKSSYB333K16
C 4938	(A,30,85)	CKSSYB104K10
C 4939	(A,28,87)	CCSSCH7R0D50
C 4943	(A,20,78)	CKSQYB106K6R3
C 4944	(A,22,78)	CKSQYB106K6R3
C 4963	(B,29,108)	CKSQYB106K6R3
C 4964	(B,30,110)	CKSSYB103K16
C 4982	(B,30,128) 47 uF	CCG1251
C 4983	(B,29,125)	CKSSYB103K16
C 4985	(B,27,112)	CKSSYB103K16
C 4986	(B,25,111)	CKSQYB106K6R3
C 4987	(B,19,120)	CKSQYB106K6R3

C 4988	(A,31,111)	CKSSYB103K16
C 4989	(A,34,111)	CCSSCH4R0C50
C 4990	(A,30,108)	CCSSCH100D50
C 4991	(A,26,109)	CCSSCH100D50
C 4993	(B,29,126)	CKSRYB105K10
C 5129	(A,11,46)	CKSRYB103K50
C 5130	(A,13,38)	CKSRYB104K16
C 5451	(A,34,35) 4.7 uF	CCG1201
C 5452	(A,40,35) 4.7 uF	CCG1201
C 5453	(A,33,44)	CCSRCH391J50
C 5454	(A,44,43)	CCSRCH391J50
C 5455	(A,40,42)	CCSRCH221J50
C 5456	(A,37,42)	CCSRCH221J50
C 5460	(A,42,47)	CKSRYB104K16
C 5471	(A,34,47) 4.7 uF	CCG1201
C 5472	(A,44,46) 4.7 uF	CCG1201
C 5642	(B,29,133) 10 uF	DCH1201
C 5643	(B,29,135) 10 uF	DCH1201
C 5644	(B,29,137) 10 uF	DCH1201
C 5668	(A,31,27)	CKSRYB104K16
C 5672	(A,41,22)	CKSRYB105K10
C 5697	(A,30,77)	CKSSYB104K10
C 5698	(A,39,28)	CKSRYB104K16



Unit Number : CWN6419
Unit Name : LCD-IF Unit

MISCELLANEOUS

IC 5001	(A,70,23) IC	R1290K103A
IC 5002	(A,57,24) IC	BA4558RFVM
Q 5001	(A,71,35) Transistor	2SA1577
D 5001	(A,78,22) Diode	RB548W
D 5002	(A,74,32) Diode	RB548W
D 5003	(A,76,32) Diode	RB548W
D 5004	(A,57,13) Diode	RB160M-30
D 5005	(A,62,30) Diode	RB160M-30
L 5001	(A,63,11) Inductor	CTF1635
L 5002	(A,13,40) Chip Inductor	DTL1096
L 5003	(A,43,41) Chip Inductor	DTL1096
L 5004	(A,35,41) Chip Ferrite Bead	BTX1042
L 5005	(A,68,30) Choke Coil 22 uH	CTH1426
L 5006	(A,56,35) Inductor	LCTAW101J2520
CN5001	(A,8,25) Connector	CKS5698
CN5002	(A,10,8) Connector	CKS5561
CN5003	(A,125,18) Connector	CKS5561
CN5004	(A,32,34) Connector	CKS5722

RESISTORS

R 5001	(A,41,20)	RS1/16SS0R0J
R 5002	(A,40,18)	RS1/16SS0R0J
R 5003	(A,39,20)	RS1/16SS0R0J
R 5004	(A,39,18)	RS1/16SS0R0J
R 5005	(A,38,20)	RS1/16SS0R0J
R 5006	(A,37,18)	RS1/16SS0R0J
R 5007	(A,35,20)	RS1/16SS0R0J
R 5008	(A,34,20)	RS1/16SS0R0J
R 5009	(A,33,20)	RS1/16SS0R0J
R 5010	(A,32,20)	RS1/16SS0R0J

1

2

3

4

Circuit Symbol and No.Part No.Circuit Symbol and No.Part No.**CAPACITORS**

	R 5011	(A,30,20)	RS1/16SS0R0J				
	R 5012	(A,29,20)	RS1/16SS0R0J	C 5002	(A,53,32)		CKSSYB103K25
A	R 5013	(A,14,23)	RS1/16SS0R0J	C 5004	(A,53,30)		CKSSYB103K25
	R 5014	(A,13,24)	RS1/16SS0R0J	C 5006	(A,53,26)		CKSSYB103K25
	R 5015	(A,14,25)	RS1/16SS0R0J	C 5008	(A,53,24)		CKSSYB103K25
				C 5009	(A,53,21)		CKSSYB102K50
	R 5016	(A,13,26)	RS1/16SS0R0J				
	R 5017	(A,14,27)	RS1/16SS0R0J	C 5010	(A,53,20)		CKSSYB104K16
	R 5018	(A,13,28)	RS1/16SS0R0J	C 5011	(A,53,19)		CKSSYB102K50
	R 5019	(A,31,40)	RS1/16SS473J	C 5012	(A,53,17)		CKSSYB104K16
	R 5020	(A,16,16)	RS1/16SS0R0J	C 5014	(A,53,15)		CKSSYB103K25
				C 5016	(A,48,16)		CKSSYB103K25
	R 5021	(A,14,16)	RS1/16SS0R0J				
	R 5022	(A,13,32)	RS1/16SS473J	C 5018	(A,45,17)		CKSSYB103K25
	R 5023	(A,20,12)	RS1/16SS473J	C 5020	(A,42,14)		CKSSYB103K25
B	R 5024	(A,21,12)	RS1/16SS473J	C 5021	(A,29,39)		CKSSYB102K50
	R 5025	(A,51,34)	RS1/10SR4R7J	C 5023	(A,29,41)		CKSSYB104K16
				C 5026	(A,67,11)	10 uF	CCG1236
	R 5026	(A,50,34)	RS1/10SR56R0D				
	R 5027	(A,50,31)	RS1/10SR1800D	C 5027	(A,61,23)		CKSSYB102K50
	R 5028	(A,51,31)	RS1/10SR2R2J	C 5030	(A,27,40)		CKSSYB102K50
	R 5029	(A,51,28)	RS1/10SR47R0D	C 5031	(A,27,41)		CKSSYB104K10
	R 5030	(A,50,28)	RS1/10SR0R0J	C 5032	(A,25,40)	10 uF	CCG1234
				C 5035	(A,20,39)		CKSSYB104K16
	R 5031	(A,51,25)	RS1/10SR39R0D				
	R 5032	(A,50,25)	RS1/10SR4R7J	C 5036	(A,43,40)	4.7 uF	CCG1201
	R 5033	(A,51,22)	RS1/10SR1000D	C 5038	(A,49,40)		CKSQYB225K16
	R 5034	(A,50,22)	RS1/10SR8R2J	C 5040	(A,33,40)		CKSRYB104K50
C	R 5035	(A,51,19)	RS1/10SR1300D	C 5041	(A,15,39)		CKSQYB334K50
				C 5043	(A,13,35)		CKSSYB104K16
	R 5036	(A,50,19)	RS1/10SR0R0J				
	R 5037	(A,51,17)	RS1/10SR1000D	C 5044	(A,67,34)		CKSQYB475K6R3
	R 5038	(A,50,17)	RS1/10SR8R2J	C 5045	(A,64,23)		CKSSYB102K50
	R 5039	(A,51,14)	RS1/10SR39R0D	C 5046	(A,75,29)		CKSQYB105K25
	R 5040	(A,50,14)	RS1/10SR4R7J	C 5048	(A,78,20)		CKSRYB104K50
				C 5049	(A,75,35)		CKSRYB104K50
	R 5041	(A,47,19)	RS1/10SR47R0D				
	R 5042	(A,47,20)	RS1/10SR0R0J	C 5050	(A,77,35)		CKSRYB104K50
	R 5043	(A,43,20)	RS1/10SR1800D	C 5051	(A,75,38)		CKSYB475K16
	R 5044	(A,43,19)	RS1/10SR2R2J	C 5052	(A,64,21)		CKSSYB105K6R3
D	R 5045	(A,43,17)	RS1/10SR33R0D	C 5053	(A,71,13)		CKSRYB104K50
				C 5054	(A,73,13)		CKSRYB123K50
	R 5046	(A,43,16)	RS1/10SR2R4J				
	R 5047	(A,71,32)	RS1/16SS103J	C 5055	(A,75,17)		CKSRYB105K16
	R 5049	(A,75,24)	RS1/10SR9102D	C 5056	(A,84,13)		CCSQCH101J50
	R 5050	(A,75,23)	RS1/10SR1802D	C 5057	(A,77,27)		CKSRYB561K50
	R 5051	(A,72,16)	RS1/16SS203J	C 5058	(A,83,15)		CKSRYB683K50
				C 5059	(A,62,25)		CKSYB475K16
	R 5052	(A,74,15)	RS1/16SS104J				
	R 5053	(A,61,14)	RS1/16SS103J	C 5061	(A,69,18)		CKSRYB682K50
	R 5056	(A,73,21)	RS1/16SS1802D	C 5062	(A,66,19)		CKSRYB471K50
	R 5057	(A,73,19)	RS1/16SS2202D	C 5064	(A,58,19)		CKSSYB104K16
	R 5058	(A,77,26)	RS1/10SR1003D	C 5065	(A,56,27)		CKSSYB104K16
				C 5066	(A,57,31)	10 uF	CCG1236
E	R 5059	(A,74,26)	RS1/10SR9101D	C 5069	(A,63,32)		CKSRYB332K50
	R 5061	(A,72,19)	RS1/16SS472J				
	R 5062	(A,62,22)	RS1/10SR0R0J	C 5070	(A,59,34)		CKSSYB102K50
	R 5063	(A,64,20)	RS1/10SR1203D	C 5072	(A,77,29)		CKSQYB105K25
	R 5064	(A,66,20)	RS1/10SR3001D	C 5073	(A,78,24)		CKSRYB105K16
	R 5065	(A,66,17)	RS1/10SR1502D				
	R 5066	(A,64,19)	RS1/10SR472J				
	R 5071	(A,58,20)	RS1/16SS223J				
	R 5072	(A,56,20)	RS1/10SR4702D				
	R 5073	(A,56,18)	RS1/10SR3902D	M 1	Motor Unit(CRG(L/E))		CXC4026
				*M 2	Motor(SPINDLE)		EXM2002
					Fan Motor		CXM1441
F	R 5074	(A,55,21)	RS1/16SS100J				
	R 5075	(A,65,31)	RS1/10SR2R2J				
	R 5076	(A,79,28)	RS1/10SR0R0J				
	R 5078	(A,56,40)	RS1/16SS0R0J				

Miscellaneous Parts List

M 1	Motor Unit(CRG(L/E))	CXC4026
*M 2	Motor(SPINDLE)	EXM2002
	Fan Motor	CXM1441

1

2

3

4