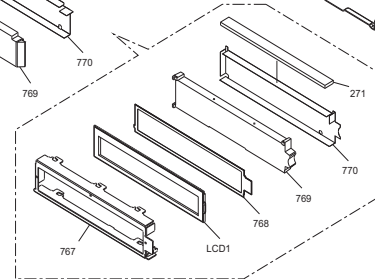
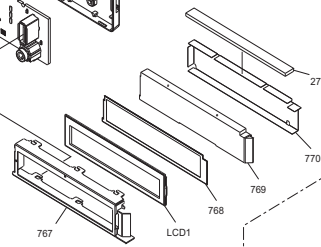
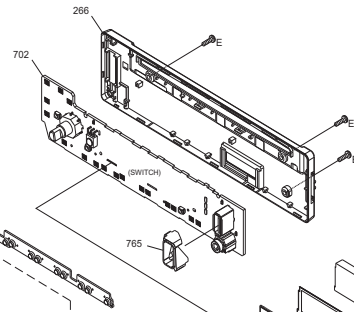
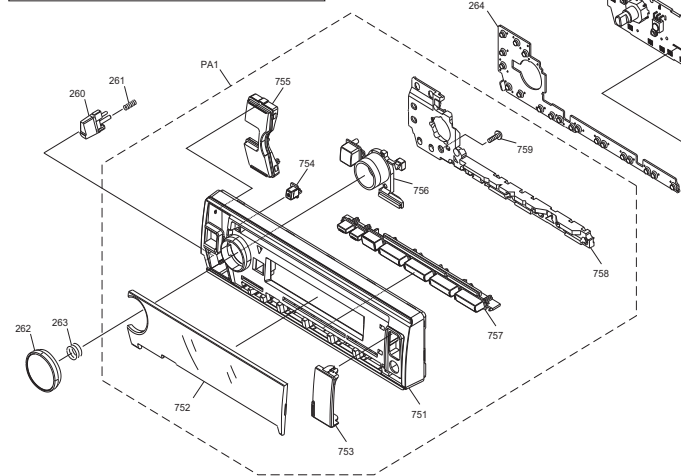
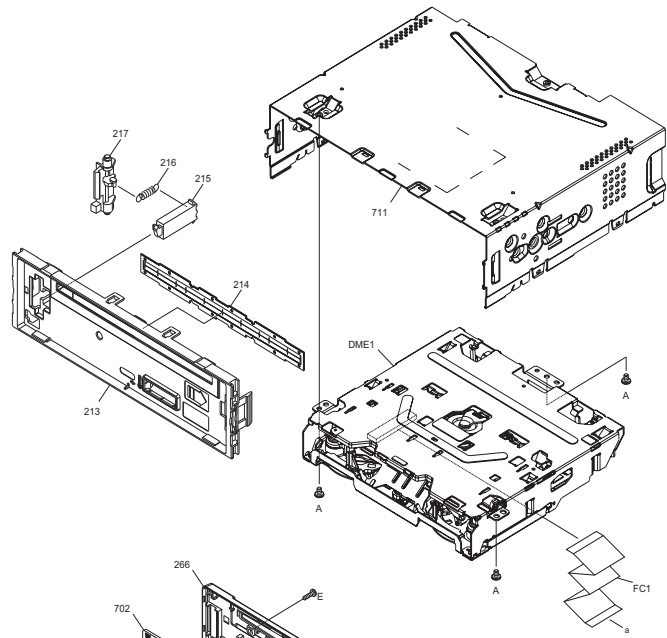
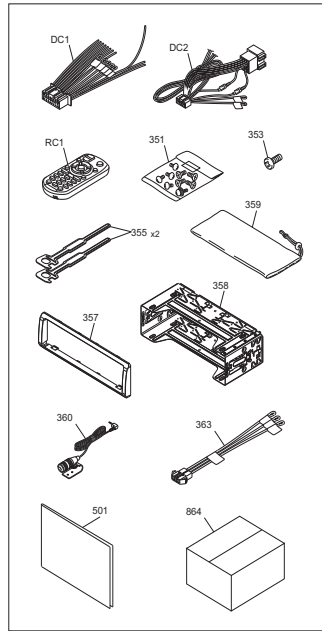
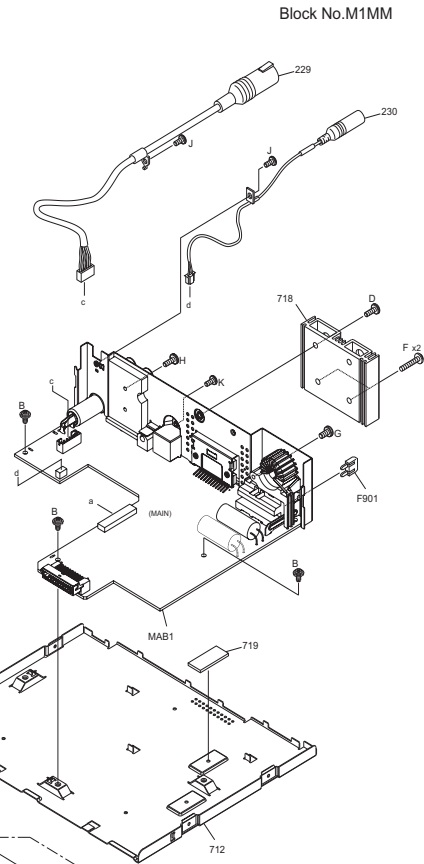


EXPLODED VIEW (UNIT)



KDC-360UI, KDC-B1660U, KMR-038281 only



Block No.M1MM

Parts with the exploded numbers larger than 700 are not supplied.

MODEL	MARK	MODEL	MARK	MODEL	MARK	MODEL	MARK
KDC-360UI	M3	KDC-BT282U	K0	KDC-BT370U	K1	KDC-BT460U	E1
KDC-BT560U	M1	KDC-BT660U	M2	KDC-MP382BT	K2	KMR-D382BT	K3

Safe	Symbol No.	Parts No.	Parts Name	Description	QTY	Local
EXPLODED VIEW (UNIT) <M1MM>						
	MAB1	CB-XJ1350M03N	MAIN PWB	XJ1-350M-03	1	M3
	MAB1	CB-XJ1350K00N	MAIN PWB	XJ1-350K-00	1	K0
	MAB1	CB-XJ1350K01N	MAIN PWB	XJ1-350K-01	1	K1
	MAB1	CB-XJ1350E01N	MAIN PWB	XJ1-350E-01	1	E1
	MAB1	CB-XJ1350M01N	MAIN PWB	XJ1-350M-01	1	M1
	MAB1	CB-XJ1350M02N	MAIN PWB	XJ1-350M-02	1	M2
	MAB1	CB-XJ1350K02N	MAIN PWB	XJ1-350K-02	1	K2
	MAB1	CB-XJ1350K03N	MAIN PWB	XJ1-350K-03	1	K3
	FC1	E3G-0112-00	FFC WIRE		1	
	DC1	E3A-0324-00	DC CORD		1	M3,K0,K1,M1,M2,K2,K3
	DC2	E3A-0320-00	DC CORD		1	E1
	DME1	XJH-207W-00	CD MECHANISM		1	
△	F901	FZB10BT-100	BLADE FUSE		1	
	LCD1	B3H-0102-00	LCD		1	M3,M2
	LCD1	B3H-0034-00	LCD		1	K0,K1,E1,M1,K2
	LCD1	B3H-0107-00	LCD		1	K3
	PA1	A6D-0157-0N	PANEL ASSY		1	M3
	PA1	A6D-0157-0G	PANEL ASSY		1	K0
	PA1	A6D-0157-0H	PANEL ASSY		1	K1
	PA1	A6D-0157-0K	PANEL ASSY		1	E1
	PA1	A6D-0157-0M	PANEL ASSY		1	M1
	PA1	A6D-0157-0L	PANEL ASSY		1	M2
	PA1	A6D-0157-0J	PANEL ASSY		1	K2
	PA1	A6D-0157-0F	PANEL ASSY		1	K3
	RC1	A7A-0019-00	REMOTE CTL(IR)		1	M3,M2
	A	QYSDST2604ZA	TAP SCREW	M2.6 x 4.0mm	3	
	B	LV41200-004A	SPECIAL SCREW		3	
	D	QYSDST2608ZA	TAP SCREW	M2.6 x 8.0mm	1	
	E	QYSDSF2008ZA	TAP SCREW	M2.0 x 8.0mm	3	
	F	QYSDST2610ZA	TAP SCREW	M2.6 x 10.0mm	2	
	G	QYSPSG3008ZA	TAP SCREW	M3.0 x 8.0mm	1	
	H	QYSDSF2608ZA	TAP SCREW	M2.6 x 8.0mm	1	
	J	QYSDST2606ZA	TAP SCREW	M2.6 x 6.0mm	1	K2,K3
	K	QYSDST2606ZA	TAP SCREW	M2.6 x 6.0mm	1	K3
	213	A2C-0067-05	SUB PANEL		1	
	214	F1K-0050-00	BLIND PLATE		1	
	215	D1A-0023-00	LEVER		1	
	216	G0A-0027-00	EXTEN.SPRING		1	
	217	D1A-0022-00	LEVER		1	
	229	E3A-0442-10	CORD W.CON.		1	K3
	230	E3A-0699-00	CORD W.CON.		1	K2
	260	K2K-0388-00	KNOB		1	
	261	GE30999-013A	COMP. SPRING		1	
	262	K2K-0215-01	KNOB BASE		1	M3,M2
	262	K2K-0101-02	KNOB		1	K0,K1
	262	K2K-0215-02	KNOB BASE		1	E1,M1
	262	K2K-0165-02	KNOB BASE		1	K2,K3
	263	GE40127-005A	KNOB SPRING		1	
	264	E2K-0069-00	CONDUCT RUBBER		1	
	266	A4G-0095-00	REAR COVER		1	
	271	E2K-0029-00	CONDUCT RUBBER		1	M3,M2,K3
	271	QNZ1117-001	RUBBER CONNE		1	K0,K1,E1,M1,K2
	351	GE40531-001A	SCREW SET		1	M3,M1,M2,K2,K3
	353	QYSPSF2008ZA	TAP SCREW	M2.0 x 8.0mm	1	M3,K0,K1,M1,M2,K2
	355	GE40685-001A	HOOK		2	
	357	B0H-0013-06	ESCUTCHEON		1	M3,E1,M2
	357	B0H-0014-04	ESCUTCHEON		1	K0,K1,M1,K2
	357	B0H-0013-07	ESCUTCHEON		1	K3
	358	GE20362-002A	MOUNTING SLEEVE		1	
	359	GE40521-001A	CARRYING CASE		1	M3,M1,M2
	360	T9B-0073-00	MICROPHONE		1	K0,K1,E1,M1,M2,K2,K3
	363	E3A-0701-00	CORD W.CON.		1	K2
	501	B5A-3847-00	INST.MANUAL		1	M3,M1,M2
	702	-----	SWITCH PWB	NO SERVICE PART	1	M3,M2
	702	-----	SWITCH PWB	NO SERVICE PART	1	K0,K1
	702	-----	SWITCH PWB	NO SERVICE PART	1	E1
	702	-----	SWITCH PWB	NO SERVICE PART	1	M1
	702	-----	SWITCH PWB	NO SERVICE PART	1	K2
	702	-----	SWITCH PWB	NO SERVICE PART	1	K3
	711	-----	TOP COVER	NO SERVICE PART	1	M3,K0,K1,M1,M2,K2,K3
	711	-----	TOP COVER	NO SERVICE PART	1	E1
	712	-----	BOTTOM PLATE	NO SERVICE PART	1	
	718	-----	HEAT SINK	NO SERVICE PART	1	
	719	-----	COOL SHEET	NO SERVICE PART	1	
	751	-----	PANEL	NO SERVICE PART	1	K0,K1,E1,M1,K2
	751	-----	PANEL	NO SERVICE PART	1	K3
	752	-----	FRONT GLASS	NO SERVICE PART	1	M3
	752	-----	FRONT GLASS	NO SERVICE PART	1	K0
	752	-----	FRONT GLASS	NO SERVICE PART	1	K1
	752	-----	FRONT GLASS	NO SERVICE PART	1	E1
	752	-----	FRONT GLASS	NO SERVICE PART	1	M1
	752	-----	FRONT GLASS	NO SERVICE PART	1	M2
	752	-----	FRONT GLASS	NO SERVICE PART	1	K2
	752	-----	FRONT GLASS	NO SERVICE PART	1	K3
	753	-----	COVER	NO SERVICE PART	1	
	754	-----	PUSH KNOB	NO SERVICE PART	1	
	755	-----	KNOB ASSY	NO SERVICE PART	1	M3
	755	-----	KNOB ASSY	NO SERVICE PART	1	K0,K1,E1,M1,M2,K2,K3
	756	-----	PUSH KNOB	NO SERVICE PART	1	
	757	-----	PUSH KNOB	NO SERVICE PART	1	

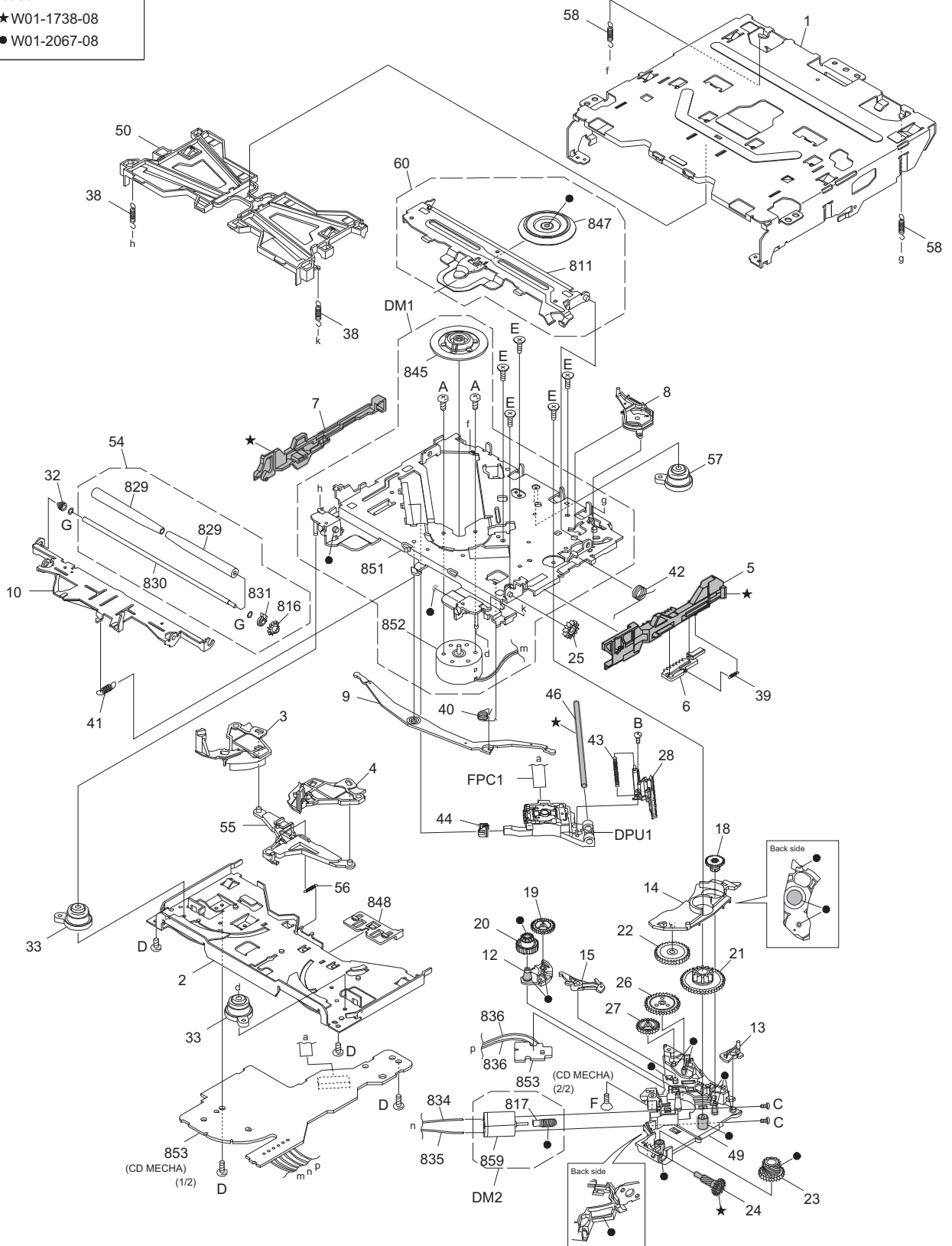
MODEL	MARK	MODEL	MARK	MODEL	MARK	MODEL	MARK
KDC-360UI	M3	KDC-BT282U	K0	KDC-BT370U	K1	KDC-BT460U	E1
KDC-BT560U	M1	KDC-BT660U	M2	KDC-MP382BT	K2	KMR-D382BT	K3

Safe	Symbol No.	Parts No.	Parts Name	Description	QTY	Local
	758	-----	LIGHTING BOARD	NO SERVICE PART	1	
	759	-----	TAP SCREW	NO SERVICE PART	1	
	765	-----	LIGHTING BOARD	NO SERVICE PART	1	
	767	-----	LCD CASE	NO SERVICE PART	1	M3,M2,K3
	767	-----	LCD CASE	NO SERVICE PART	1	K0,K1,E1,M1,K2
	768	-----	OPTI.DIFFUSER	NO SERVICE PART	1	M3,M2
	768	-----	OPTI.DIFFUSER	NO SERVICE PART	1	K0,K1,E1,M1,K2
	768	-----	OPTI.DIFFUSER	NO SERVICE PART	1	K3
	769	-----	LIGHTING BOARD	NO SERVICE PART	1	M3,M2,K3
	769	-----	LIGHTING BOARD	NO SERVICE PART	1	K0,K1,E1,M1,K2
	770	-----	REF.SHEET	NO SERVICE PART	1	M3,M2,K3
	770	-----	REF.SHEET	NO SERVICE PART	1	K0,K1,E1,M1,K2
	864	-----	ITEM CARTON	NO SERVICE PART(H5A-2151-00)	1	M3
	864	-----	ITEM CARTON	NO SERVICE PART(H5A-2144-00)	1	K0
	864	-----	ITEM CARTON	NO SERVICE PART(H5A-2144-00)	1	K1
	864	-----	ITEM CARTON	NO SERVICE PART(H5A-2145-00)	1	E1
	864	-----	ITEM CARTON	NO SERVICE PART(H5A-2148-00)	1	M1
	864	-----	ITEM CARTON	NO SERVICE PART(H5A-2149-00)	1	M2
	864	-----	ITEM CARTON	NO SERVICE PART(H5A-2150-00)	1	K2
	864	-----	ITEM CARTON	NO SERVICE PART(H5A-2146-00)	1	K3
	864	-----	ITEM CARTON	NO SERVICE PART(H5A-2147-00)	1	K3

EXPLODED VIEW (CD MECHANISM: XJH-207W-00/FC2-3B00NXN)

Block No.MBMM

Grease
 ★ W01-1738-08
 ● W01-2067-08



Parts with the exploded numbers larger than 800 are not supplied.

MODEL	MARK	MODEL	MARK	MODEL	MARK	MODEL	MARK
KDC-360UI	M3	KDC-BT282U	K0	KDC-BT370U	K1	KDC-BT460U	E1
KDC-BT560U	M1	KDC-BT660U	M2	KDC-MP382BT	K2	KMR-D382BT	K3

Safe	Symbol No.	Parts No.	Parts Name	Description	QTY	Local
------	------------	-----------	------------	-------------	-----	-------

EXPLODED VIEW (CD MECHANISM: XJH-207W-00/FC2-3B00NXN) <MBMM>

FPC1	QAL1465-001	FPC			1	
DM1	CM-FC2-MD	M.CHASSIS ASSY			1	
DM2	CM-FC2-M	R.MOTOR ASSY			1	
DPU1	T2F-0002-00	CD OPT PICKUP			1	
A	LV45568-001A	MINI SCREW			2	
B	QYSPSGT1745ZA	TAP SCREW	M1.7 x 4.5mm		1	
C	QYSPSPT2025MA	SCREW	M2.0 x 2.5mm		2	
D	VKZ4539-054	MINI SCREW			4	
E	LV45818-001A	G.HOLDER SCREW			5	
F	LV45815-001A	M. SHAFT SCREW			1	
G	LV45816-001A	ROLLER WASHER			2	
1	LV11877-003A	OUTER CHASSIS			1	
2	LV11878-006A	LOWER CHASSIS			1	
3	LV3A174-002A	DISC ARM L			1	
4	LV3A175-001A	DISC ARM R			1	
5	LV23057-001A	SLIDER R			1	
6	LV3A178-001A	TRIGGER SLIDER			1	
7	LV23058-001A	SLIDER L			1	
8	LV3A179-002A	TRIGGER ARM			1	
9	LV3A173-001A	JOINT LEVER			1	
10	LV23055-003A	ROLLER LEVER			1	
12	LV3A181-002A	TRANSFER ARM			1	
13	LV45797-002A	SL LOCK CAM			1	
14	LV3A182-003A	SL LOCK ARM			1	
15	LV3A183-001A	PICK LOCK ARM			1	
18	LV3A187-002A	HELICAL GEAR 1			1	
19	LV3A188-001A	TRANSFER GEAR			1	
20	LV3A189-001A	LOAD GEAR H			1	
21	LV3A190-001A	DRIVE GEAR			1	
22	LV3A191-001A	JOINT GEAR			1	
23	LV3A192-001A	WORM GEAR 2			1	
24	LV3A193-001A	HELICAL GEAR 2			1	
25	LV3A194-001A	LOAD GEAR V			1	
26	LV3A195-001A	PICK GEAR 1			1	
27	LV3A196-001A	PICK GEAR 2			1	
28	D1D-0090-00	RACK GEAR			1	
32	LV45796-001A	R.RETAINER L			1	
33	D3K-0013-00	DAMPER			2	
38	LV45809-001A	FLOAT SPRING(F)			2	
39	LV45810-001A	TRIGGER SPRING			1	
40	LV45811-001A	LOAD SPRING			1	
41	LV45812-001A	ROLLER SPRING			1	
42	LV45813-002A	CLAMP SPRING			1	
43	LV45814-001A	PICK SPRING			1	
44	LV36813-302A	SUB GUIDE CAP			1	
46	D2B-0037-00	SHAFT			1	
49	LV11881-002A	GEAR HOLDER			1	
50	LV11880-004A	DISC GUIDE			1	
54	CM-FC2-R	ROLLER ASSY			1	
55	D1A-0100-00	ARM			1	
56	G0A-0138-00	EXTEN.SPRING			1	
57	D3K-0014-00	DAMPER			1	
58	LV45835-001A	FLOAT SPRING(R)			2	
60	LV3A271-002A	CL BASE ASSY			1	
811	-----	CLAMP ARM	NO SERVICE PART		1	
816	-----	ROLLER GEAR	NO SERVICE PART		1	
817	-----	WORM GEAR 1	NO SERVICE PART		1	
829	-----	ROLLER	NO SERVICE PART		2	
830	-----	ROLLER SHAFT	NO SERVICE PART		1	
831	-----	R.RETAINER R	NO SERVICE PART		1	
834	-----	SIN TWIST WIRE	NO SERVICE PART		1	
835	-----	SIN TWIST WIRE	NO SERVICE PART		1	
836	-----	SIN TWIST WIRE	NO SERVICE PART		2	
845	-----	HC TURN TABLE	NO SERVICE PART		1	
847	-----	CLAMPER	NO SERVICE PART		1	
848	-----	WIRE HOLDER	NO SERVICE PART		1	
851	-----	MD CHASSIS ASSY	NO SERVICE PART		1	
852	-----	SPINDLE MOTOR	NO SERVICE PART		1	
853	-----	CD MECHA PWB	NO SERVICE PART		1	
859	-----	MOTOR	NO SERVICE PART		1	

MODEL	MARK	MODEL	MARK	MODEL	MARK	MODEL	MARK
KDC-360UI	M3	KDC-BT282U	K0	KDC-BT370U	K1	KDC-BT460U	E1
KDC-BT560U	M1	KDC-BT660U	M2	KDC-MP382BT	K2	KMR-D382BT	K3

Safe	Symbol No.	Parts No.	Parts Name	Description	QTY	Local
MAIN PWB ASSY (XJ1-350x-0x) <XJ1>						
	IC161	BD37069FV-M	ANALOG IC		1	
	IC162	NJM11100F1	ANALOG IC		1	K0,K1,E1,M1,M2,K2,K3
	IC164	NJM11100F1	ANALOG IC		1	M2
	IC165	NJW4190R-A	ANALOG IC		1	M3,K3
	IC220	NJM8065V	ANALOG IC		1	K0,K1,E1,M1,M2,K2,K3
	IC301	JCV8034	ANALOG IC		1	
	IC411	MFI343S00177	MCU IC		1	M3,K0,K1,M2,K2,K3
	IC470	TC7SH08FUJC	MOS IC		1	K3
	IC481	SN65HVD3082ED	MOS IC		1	K3
	IC482	TC7SH08FUJC	MOS IC		1	K3
	IC540	MP9943AGQ	ANALOG IC		1	
	IC601	TEF6657AHN205	ANALOG IC		1	
	IC701	STA1080HOA3	MPU IC		1	
	IC702	TC7SH08FUJC	MOS IC		1	
	IC821	W3F-0598-00	ROM IC		1	M3,M2,K3
	IC821	W3F-0599-00	ROM IC		1	K0,K1,K2
	IC821	W3F-0600-00	ROM IC		1	E1,M1
	IC822	W25Q16JVSSIM	ROM IC		1	
	IC831	IC-PST8428U	MOS IC		1	
	IC841	IC-PST8428U	MOS IC		1	
	IC890	TPS25221DBV	MOS IC		1	
	IC901	BD49105RFS-M	ANALOG IC		1	
	IC902	M12L2511A6TI2	DRAM IC		1	M3,K0,M2,K2,K3
	IC902	M12L2511A6TIT	DRAM IC		1	K1
	IC902	M12L1218A6TIS	DRAM IC		1	E1,M1
	Q220	LSCR523UBFS8	TRANSISTOR		1	K0,K1,E1,M1,M2,K2,K3
	Q250	2SD2114K/VW/	TRANSISTOR		1	
	Q260	2SD2114K/VW/	TRANSISTOR		1	K0,K1,E1,M1,K2
	Q270	LTA014EEBFS8	DIGI TRANSISTOR		1	
	Q271	LSAR523UBFS8	TRANSISTOR		1	
	Q272	LTC024EEBFS8	DIGI TRANSISTOR		1	
	Q273	LTA014EEBFS8	DIGI TRANSISTOR		1	
	Q274	LTC024EEBFS8	DIGI TRANSISTOR		1	
	Q320	2SD2114K/VW/	TRANSISTOR		1	M3,M2,K2,K3
	Q330	2SD2114K/VW/	TRANSISTOR		1	M3,M2,K2,K3
	Q340	2SD2114K/VW/	TRANSISTOR		1	M3,M2,K3
	Q350	2SD2114K/VW/	TRANSISTOR		1	M3,M2,K3
	Q470	LTC014EEBFS8	DIGI TRANSISTOR		1	K3
	Q471	LTC043TEBFS8	DIGI TRANSISTOR		1	K3
	Q480	LSCR523UBFS8	TRANSISTOR		1	K3
	Q481	LSCR523UBFS8	TRANSISTOR		1	K3
	Q482	LSCR523UBFS8	TRANSISTOR		1	K3
	Q483	LSAR523UBFS8	TRANSISTOR		1	K3
	Q484	RQ5L015SP	FET		1	K3
	Q485	KRC401P	DIGI TRANSISTOR		1	K3
	Q486	KRC406P	DIGI TRANSISTOR		1	K3
	Q500	KRC401P	DIGI TRANSISTOR		1	
	Q780	RE1C002ZP	FET		1	K2
	Q781	RE1C002ZP	FET		1	K2
	Q782	KRC407E-P	DIGI TRANSISTOR		1	K2
	Q903	KRC407E-P	DIGI TRANSISTOR		1	
	Q904	RE1C002ZP	FET		1	
	Q920	KRA307E-P	TRANSISTOR		1	
	D220	UDZV6.8B	ZENER DIODE		1	K0,K1,E1,M1,M2,K2,K3
	D221	UDZV6.8B	ZENER DIODE		1	K0,K1,E1,M1,M2,K2,K3
	D222	UDZV5.6B	ZENER DIODE		1	K0,K1,E1,M1,M2,K2,K3
	D271	BAW56-TP	DIODE ARRAY		1	
	D273	1SS355-HF	DIODE		1	
	D370	BAW56-TP	DIODE ARRAY		1	
	D390	SM5818PL	SCHOTTKY DIODE		1	
	D391	MBR0530	DIODE		1	
	D400	RB521SM-40	DIODE		1	
	D401	UDZV5.1B	ZENER DIODE		1	
	D480	UDZV6.2B	ZENER DIODE		1	K3
	D481	UDZV6.2B	ZENER DIODE		1	K3
	D482	UDZV5.1B	ZENER DIODE		1	K3
	D540	SMD24PL	SCHOTTKY DIODE		1	
	D783	1SS355-HF	DIODE		1	K2
	D784	1SS355-HF	DIODE		1	K2
	D902	SK34A-L	SCHOTTKY DIODE		1	
	D903	SK34A-L	SCHOTTKY DIODE		1	
	D904	GS1J-LTP	DIODE		1	
	D905	GS1J-LTP	DIODE		1	
	D906	SK34A-L	SCHOTTKY DIODE		1	
	D907	SK34A-L	SCHOTTKY DIODE		1	
	D908	SK34A-L	SCHOTTKY DIODE		1	
	D991	GN3XB	DIODE		1	
	C101	CK73JXR1H332K	C CAPACITOR	3300pF 50V K	1	
	C102	CK73JXR1H332K	C CAPACITOR	3300pF 50V K	1	
	C103	CK73GXR1C475K	C CAPACITOR	4.7uF 16V K	1	
	C104	CK73FXR1C106K	C CAPACITOR	10uF 16V K	1	
	C105	CK73GXR1C475K	C CAPACITOR	4.7uF 16V K	1	
	C106	CK73HXR1A105K	C CAPACITOR	1uF 10V K	1	
	C161	CE32BJ1V4R7M	E CAPACITOR	4.7uF 35V M	1	
	C162	CE32BJ1V4R7M	E CAPACITOR	4.7uF 35V M	1	
	C163	CE32BJ1V4R7M	E CAPACITOR	4.7uF 35V M	1	
	C164	CE32BJ1V4R7M	E CAPACITOR	4.7uF 35V M	1	
	C165	CE32BJ1V4R7M	E CAPACITOR	4.7uF 35V M	1	
	C166	CE32BJ1V4R7M	E CAPACITOR	4.7uF 35V M	1	
	C167	CK73GXR1C475K	C CAPACITOR	4.7uF 16V K	1	

MODEL	MARK	MODEL	MARK	MODEL	MARK	MODEL	MARK
KDC-360UI	M3	KDC-BT282U	K0	KDC-BT370U	K1	KDC-BT460U	E1
KDC-BT560U	M1	KDC-BT660U	M2	KDC-MP382BT	K2	KMR-D382BT	K3

Safe	Symbol No.	Parts No.	Parts Name	Description	QTY	Local
	C168	CK73GXR1C475K	C CAPACITOR	4.7uF 16V K	1	
	C169	CE32BY1C470M	E CAPACITOR	47uF 16V M	1	
	C170	CE32CL1C100M	E CAPACITOR	10uF 16V M	1	
	C171	CE32BM1E470M	E CAPACITOR	47uF 25V M	1	M3,K3
	C171	CE32CL1E330M	E CAPACITOR	33uF 25V M	1	M2
	C175	CK73JXR1H103K	C CAPACITOR	0.01uF 50V K	1	K0,K1,E1,M1,M2,K2,K3
	C177	CK73GXR1A106K	C CAPACITOR	10uF 10V K	1	K0,K1,E1,M1,M2,K2,K3
	C181	CK73FXR1C106K	C CAPACITOR	10uF 16V K	1	M3,K3
	C183	CK73HXR1C105K	C CAPACITOR	1uF 16V K	1	M3,K3
	C187	CK73HXR1C105K	C CAPACITOR	1uF 16V K	1	M3,K3
	C188	CK73GXR1E105K	C CAPACITOR	1uF 25V K	1	M3,K3
	C189	CK73JXR1C224K	C CAPACITOR	0.22uF 16V K	1	M2
	C190	CK73JXR1H103K	C CAPACITOR	0.01uF 50V K	1	M2
	C191	CC73JCH1H101J	C CAPACITOR	100pF 50V J	1	M2
	C192	CK73GXR1A106K	C CAPACITOR	10uF 10V K	1	M2
	C221	CK73HXR1A105K	C CAPACITOR	1uF 10V K	1	K0,K1,E1,M1,M2,K2,K3
	C222	CK73JXR1C224K	C CAPACITOR	0.22uF 16V K	1	K0,K1,E1,M1,M2,K2,K3
	C223	CK73JXR1C224K	C CAPACITOR	0.22uF 16V K	1	K0,K1,E1,M1,M2,K2,K3
	C224	CK73HXR1A105K	C CAPACITOR	1uF 10V K	1	K0,K1,E1,M1,M2,K2,K3
	C225	CK73HXR1A105K	C CAPACITOR	1uF 10V K	1	K0,K1,E1,M1,M2,K2,K3
	C226	CC73JCH1H220J	C CAPACITOR	22pF 50V J	1	K0,K1,E1,M1,M2,K2,K3
	C227	CC73JCH1H151J	C CAPACITOR	150pF 50V J	1	K0,K1,E1,M1,M2,K2,K3
	C228	CK73HXR0J225K	C CAPACITOR	2.2uF 6.3V K	1	K0,K1,E1,M1,M2,K2,K3
	C229	CK73HXR0J225K	C CAPACITOR	2.2uF 6.3V K	1	K0,K1,E1,M1,M2,K2,K3
	C230	CK73HXR1A105K	C CAPACITOR	1uF 10V K	1	K0,K1,E1,M1,M2,K2,K3
	C231	CC73JCH1H151J	C CAPACITOR	150pF 50V J	1	K0,K1,E1,M1,M2,K2,K3
	C234	CK73HXR1A105K	C CAPACITOR	1uF 10V K	1	K0,K1,E1,M1,M2,K2,K3
	C235	CK73HXR1A105K	C CAPACITOR	1uF 10V K	1	K0,K1,E1,M1,M2,K2,K3
	C236	CK73HXR1A105K	C CAPACITOR	1uF 10V K	1	K0,K1,E1,M1,M2,K2,K3
	C252	CK730DK1E106K	C CAPACITOR	10uF 25V K	1	
	C262	CK730DK1E106K	C CAPACITOR	10uF 25V K	1	K0,K1,E1,M1,K2
	C273	CK73HXR1A105K	C CAPACITOR	1uF 10V K	1	
	C304	CE32CL1E330M	E CAPACITOR	33uF 25V M	1	
	C311	CK73GXR1C475K	C CAPACITOR	4.7uF 16V K	1	
	C312	CK73HXR1E474K	C CAPACITOR	0.47uF 25V K	1	
	C313	CK73HXR1E474K	C CAPACITOR	0.47uF 25V K	1	
	C316	CK73HXR1E474K	C CAPACITOR	0.47uF 25V K	1	
	C317	CK73HXR1E474K	C CAPACITOR	0.47uF 25V K	1	
	C318	CK73HXR1E474K	C CAPACITOR	0.47uF 25V K	1	
	C319	CK73HXR1E474K	C CAPACITOR	0.47uF 25V K	1	
	C322	CK730DK1E106K	C CAPACITOR	10uF 25V K	1	M3,M2,K2,K3
	C324	CK73JXR1E104K	C CAPACITOR	0.1uF 25V K	1	
	C332	CK730DK1E106K	C CAPACITOR	10uF 25V K	1	M3,M2,K2,K3
	C333	CK73HXR1E474K	C CAPACITOR	0.47uF 25V K	1	
	C334	CK73HXR1E474K	C CAPACITOR	0.47uF 25V K	1	
	C335	CK73HXR1E474K	C CAPACITOR	0.47uF 25V K	1	
	C336	CK73HXR1E474K	C CAPACITOR	0.47uF 25V K	1	
	C342	CK730DK1E106K	C CAPACITOR	10uF 25V K	1	M3,M2,K3
	C352	CK730DK1E106K	C CAPACITOR	10uF 25V K	1	M3,M2,K3
	C370	CK73JXR1C224K	C CAPACITOR	0.22uF 16V K	1	
	C391	CK73HXR1C105K	C CAPACITOR	1uF 16V K	1	
	C410	CK73JXR0J224K	C CAPACITOR	0.22uF 6.3V K	1	M3,K0,K1,M2,K2,K3
	C472	CK73JXR1E104K	C CAPACITOR	0.1uF 25V K	1	K3
	C473	CK73FXR1C106K	C CAPACITOR	10uF 16V K	1	K3
	C474	CK73GXR1C225K	C CAPACITOR	2.2uF 16V K	1	K3
	C475	CK73GXR1C225K	C CAPACITOR	2.2uF 16V K	1	K3
	C480	CK73JXR1E104K	C CAPACITOR	0.1uF 25V K	1	K3
	C481	CK73JXR1E104K	C CAPACITOR	0.1uF 25V K	1	K3
	C482	CK73HXR1A105K	C CAPACITOR	1uF 10V K	1	K3
	C483	CK73JXR0J224K	C CAPACITOR	0.22uF 6.3V K	1	K3
	C484	CK73JXR1H102K	C CAPACITOR	1000pF 50V K	1	K3
	C485	CK73JXR1H103K	C CAPACITOR	0.01uF 50V K	1	K3
	C486	CK73JXR1H682K	C CAPACITOR	6800pF 50V K	1	K3
	C487	CK73JXR1H471K	C CAPACITOR	470pF 50V K	1	K3
	C540	CE32CC1A151M	E CAPACITOR	150uF 10V M	1	
	C542	CK73JXR1C224K	C CAPACITOR	0.22uF 16V K	1	
	C543	CK73HXR1C105K	C CAPACITOR	1uF 16V K	1	
	C544	CK73JXR1H471K	C CAPACITOR	470pF 50V K	1	
	C545	CK73FXR1C106K	C CAPACITOR	10uF 16V K	1	
	C547	CK73JXR0J224K	C CAPACITOR	0.22uF 6.3V K	1	
	C548	CK73JXR0J224K	C CAPACITOR	0.22uF 6.3V K	1	
	C549	CK73JXR0J224K	C CAPACITOR	0.22uF 6.3V K	1	
	C550	CC73JCH1H150J	C CAPACITOR	15pF 50V J	1	
	C601	CK73GXR1A106K	C CAPACITOR	10uF 10V K	1	
	C602	CK73GXR1A106K	C CAPACITOR	10uF 10V K	1	
	C603	CK73GXR1C475K	C CAPACITOR	4.7uF 16V K	1	
	C604	CK73HXR1H152K	C CAPACITOR	1500pF 50V K	1	
	C605	CK73JXR1H102K	C CAPACITOR	1000pF 50V K	1	
	C606	CC73JCH1H090D	C CAPACITOR	9pF 50V D	1	
	C607	CC73JCH1H010C	C CAPACITOR	1pF 50V C	1	
	C608	CK73JXR1H102K	C CAPACITOR	1000pF 50V K	1	
	C609	CK73JXR0J224K	C CAPACITOR	0.22uF 6.3V K	1	
	C610	CC73JCH1H120J	C CAPACITOR	12pF 50V J	1	
	C611	CC73JCH1H010C	C CAPACITOR	1pF 50V C	1	
	C612	CK73JXR1H103K	C CAPACITOR	0.01uF 50V K	1	
	C614	CC73JCH1H220J	C CAPACITOR	22pF 50V J	1	
	C615	CC73JCH1H330J	C CAPACITOR	33pF 50V J	1	
	C616	CK73JXR1H102K	C CAPACITOR	1000pF 50V K	1	
	C617	CK73JXR0J474K	C CAPACITOR	0.47uF 6.3V K	1	
	C618	CK73JXR0J224K	C CAPACITOR	0.22uF 6.3V K	1	

MODEL	MARK	MODEL	MARK	MODEL	MARK	MODEL	MARK
KDC-360UI	M3	KDC-BT282U	K0	KDC-BT370U	K1	KDC-BT460U	E1
KDC-BT560U	M1	KDC-BT660U	M2	KDC-MP382BT	K2	KMR-D382BT	K3

Safe	Symbol No.	Parts No.	Parts Name	Description	QTY	Local
	C619	CK73JXR1C224K	C CAPACITOR	0.22uF 16V K	1	
	C620	CK73GXR1E105K	C CAPACITOR	1uF 25V K	1	
	C621	CK73GXR1E105K	C CAPACITOR	1uF 25V K	1	
	C624	CK73GXR1C225K	C CAPACITOR	2.2uF 16V K	1	
	C680	CK73GXR0J225K	C CAPACITOR	2.2uF 6.3V K	1	
	C701	CK73JXR1H471K	C CAPACITOR	470pF 50V K	1	
	C702	CK73GXR1A106K	C CAPACITOR	10uF 10V K	1	
	C703	CK73JXR1H103K	C CAPACITOR	0.01uF 50V K	1	
	C704	CC73JCH1H180J	C CAPACITOR	18pF 50V J	1	
	C705	CC73JCH1H180J	C CAPACITOR	18pF 50V J	1	
	C706	CK73GXR1A106K	C CAPACITOR	10uF 10V K	1	
	C707	CK73JXR1H103K	C CAPACITOR	0.01uF 50V K	1	
	C708	CC73JCH1H101J	C CAPACITOR	100pF 50V J	1	
	C710	CK73JXR1H222K	C CAPACITOR	2200pF 50V K	1	
	C711	CC73JCH1H100D	C CAPACITOR	10pF 50V D	1	
	C713	CK73HXR1A105K	C CAPACITOR	1uF 10V K	1	
	C714	CK73JXR1H103K	C CAPACITOR	0.01uF 50V K	1	
	C715	CC73JCH1H101J	C CAPACITOR	100pF 50V J	1	
	C716	CK73JXR1H472K	C CAPACITOR	4700pF 50V K	1	
	C717	CK73JXR1H471K	C CAPACITOR	470pF 50V K	1	
	C719	CK73HXR1A105K	C CAPACITOR	1uF 10V K	1	
	C721	CC73JCH1H101J	C CAPACITOR	100pF 50V J	1	
	C722	CK73GXR1A106K	C CAPACITOR	10uF 10V K	1	
	C723	CK73HXR1A105K	C CAPACITOR	1uF 10V K	1	
	C724	CK73JXR1H103K	C CAPACITOR	0.01uF 50V K	1	
	C725	CK73GXR1A106K	C CAPACITOR	10uF 10V K	1	
	C726	CK73JXR1H103K	C CAPACITOR	0.01uF 50V K	1	
	C727	CK73GXR1A106K	C CAPACITOR	10uF 10V K	1	
	C728	CC73JCH1H101J	C CAPACITOR	100pF 50V J	1	
	C729	CK73GXR1C475K	C CAPACITOR	4.7uF 16V K	1	
	C730	CC73JCH1H101J	C CAPACITOR	100pF 50V J	1	
	C731	CK73GXR1C475K	C CAPACITOR	4.7uF 16V K	1	
	C733	CK73GXR1C475K	C CAPACITOR	4.7uF 16V K	1	
	C735	CK73JXR1H472K	C CAPACITOR	4700pF 50V K	1	
	C736	CC73JCH1H070D	C CAPACITOR	7pF 50V D	1	
	C737	CC73JCH1H080D	C CAPACITOR	8pF 50V D	1	
	C738	CK73JXR1H472K	C CAPACITOR	4700pF 50V K	1	
	C740	CC73JCH1H101J	C CAPACITOR	100pF 50V J	1	
	C741	CC73JCH1H100D	C CAPACITOR	10pF 50V D	1	
	C742	CC73JCH1H101J	C CAPACITOR	100pF 50V J	1	
	C745	CK73JXR1H471K	C CAPACITOR	470pF 50V K	1	
	C750	CK73GXR1C475K	C CAPACITOR	4.7uF 16V K	1	
	C751	CE32BZ0J101M	E CAPACITOR	100uF 6.3V M	1	
	C756	CK73HXR1A105K	C CAPACITOR	1uF 10V K	1	
	C760	CK73JXR1H471K	C CAPACITOR	470pF 50V K	1	
	C780	CK73JXR1H102K	C CAPACITOR	1000pF 50V K	1	K2
	C781	CK73JXR1H102K	C CAPACITOR	1000pF 50V K	1	K2
	C782	CK73JXR1A104K	C CAPACITOR	0.1uF 10V K	1	K2
	C820	CK73JXR0J224K	C CAPACITOR	0.22uF 6.3V K	1	
	C821	CK73JXR1H471K	C CAPACITOR	470pF 50V K	1	
	C824	CK73JXR0J224K	C CAPACITOR	0.22uF 6.3V K	1	
	C830	CK73JXR1H471K	C CAPACITOR	470pF 50V K	1	
	C831	CK73HXR1A105K	C CAPACITOR	1uF 10V K	1	
	C832	CK73JXR0J224K	C CAPACITOR	0.22uF 6.3V K	1	
	C841	CK73HXR1A334K	C CAPACITOR	0.33uF 10V K	1	
	C842	CK73JXR0J224K	C CAPACITOR	0.22uF 6.3V K	1	
	C843	CK73HXR1A105K	C CAPACITOR	1uF 10V K	1	
	C844	CK73JXR1A104K	C CAPACITOR	0.1uF 10V K	1	
	C890	CK73HXR1A105K	C CAPACITOR	1uF 10V K	1	
	C891	CK73GXR1A106K	C CAPACITOR	10uF 10V K	1	
	C902	CC73JCH1E391J	C CAPACITOR	390pF 25V J	1	
	C903	CK73JXR1H471K	C CAPACITOR	470pF 50V K	1	
	C904	CC73JCH1E271J	C CAPACITOR	270pF 25V J	1	
	C905	CK73GXR1C475K	C CAPACITOR	4.7uF 16V K	1	
	C906	CK73GXR1A106K	C CAPACITOR	10uF 10V K	1	
	C907	CE32CC1A151M	E CAPACITOR	150uF 10V M	1	
	C911	CK73GXR1E105K	C CAPACITOR	1uF 25V K	1	
	C912	CK73FXR1C106K	C CAPACITOR	10uF 16V K	1	
	C913	CK73FXR1C106K	C CAPACITOR	10uF 16V K	1	
	C914	CK73GXR1C475K	C CAPACITOR	4.7uF 16V K	1	
	C915	CK73GXR1C475K	C CAPACITOR	4.7uF 16V K	1	
	C916	CE32BY1C221M	E CAPACITOR	220uF 16V M	1	
	C917	CK73GXR1E105K	C CAPACITOR	1uF 25V K	1	
	C918	CC73JCH1E391J	C CAPACITOR	390pF 25V J	1	
	C919	CD040CZ1C222M	E CAPACITOR	2200uF 16V M	1	
	C935	CK73GXR1C475K	C CAPACITOR	4.7uF 16V K	1	
	C943	CK73GXR1C475K	C CAPACITOR	4.7uF 16V K	1	
	C944	CE32CC1A151M	E CAPACITOR	150uF 10V M	1	
	C945	CC73JCH1E561J	C CAPACITOR	560pF 25V J	1	
	C946	CK73GXR1E105K	C CAPACITOR	1uF 25V K	1	
	C947	CK73GXR1C475K	C CAPACITOR	4.7uF 16V K	1	
	C948	CK73HXR1A105K	C CAPACITOR	1uF 10V K	1	
	C949	CK73JXR1H102K	C CAPACITOR	1000pF 50V K	1	
	C950	CK73GXR1C475K	C CAPACITOR	4.7uF 16V K	1	
	C952	CK73GXR1A106K	C CAPACITOR	10uF 10V K	1	
	C954	CK73JXR1H471K	C CAPACITOR	470pF 50V K	1	
	C960	CK73HXR1A105K	C CAPACITOR	1uF 10V K	1	
	C990	CD040CZ1C222M	E CAPACITOR	2200uF 16V M	1	
	C993	CK73JXR1H471K	C CAPACITOR	470pF 50V K	1	
	C1020	CK73JXR1A104K	C CAPACITOR	0.1uF 10V K	1	
	C1301	CK73HXR1A105K	C CAPACITOR	1uF 10V K	1	K0,K1,E1,M1,M2,K2,K3
	C1305	CK73GXR1A106K	C CAPACITOR	10uF 10V K	1	

MODEL	MARK	MODEL	MARK	MODEL	MARK	MODEL	MARK
KDC-360UI	M3	KDC-BT282U	K0	KDC-BT370U	K1	KDC-BT460U	E1
KDC-BT560U	M1	KDC-BT660U	M2	KDC-MP382BT	K2	KMR-D382BT	K3

Safe	Symbol No.	Parts No.	Parts Name	Description	QTY	Local
	C1306	CK73JXR1A104K	C CAPACITOR	0.1uF 10V K	1	K0,K1,E1,M1,M2,K2,K3
	C1322	CK73HXR1A105K	C CAPACITOR	1uF 10V K	1	
	C1600	CK73JXR0J153K	C CAPACITOR	0.015uF 6.3V K	1	
	C1602	CK73JXR0J224K	C CAPACITOR	0.22uF 6.3V K	1	
	C1603	CK73JXR0J224K	C CAPACITOR	0.22uF 6.3V K	1	
	C2002	CK73JXR1A104K	C CAPACITOR	0.1uF 10V K	1	
	C2007	CK73HXR1A105K	C CAPACITOR	1uF 10V K	1	
	C2008	CK73JXR1H103K	C CAPACITOR	0.01uF 50V K	1	
	C2010	CK73JXR1H471K	C CAPACITOR	470pF 50V K	1	
	C2025	CK73HXR1A105K	C CAPACITOR	1uF 10V K	1	
	C2027	CK73GXR1A106K	C CAPACITOR	10uF 10V K	1	
	C2029	CC73JCH1H050C	C CAPACITOR	5pF 50V C	1	
	C2030	CC73JCH1H050C	C CAPACITOR	5pF 50V C	1	
	C2031	CK73JXR1H471K	C CAPACITOR	470pF 50V K	1	
	C2037	CK73JXR1H103K	C CAPACITOR	0.01uF 50V K	1	
	C2040	CK73JXR1H471K	C CAPACITOR	470pF 50V K	1	
	C2041	CC73JCH1H101J	C CAPACITOR	100pF 50V J	1	
	C2048	CK73JXR0J474K	C CAPACITOR	0.47uF 6.3V K	1	
	C2050	CK73HXR1A105K	C CAPACITOR	1uF 10V K	1	
	C2051	CK73JXR0J224K	C CAPACITOR	0.22uF 6.3V K	1	
	C2052	CK73JXR0J224K	C CAPACITOR	0.22uF 6.3V K	1	
	C2075	CK73JXR1H471K	C CAPACITOR	470pF 50V K	1	
	C2080	CC73JCH1H050C	C CAPACITOR	5pF 50V C	1	
	C2084	CK73JXR1C224K	C CAPACITOR	0.22uF 16V K	1	K0,K1,E1,M1,M2,K2,K3
	C2117	CC73JCH1H101J	C CAPACITOR	100pF 50V J	1	
	C3001	CK73JXR1A103K	C CAPACITOR	0.01uF 10V K	1	
	C3002	CK73JXR1A103K	C CAPACITOR	0.01uF 10V K	1	
	C3003	CK73JXR1A103K	C CAPACITOR	0.01uF 10V K	1	
	C3004	CK73JXR1A103K	C CAPACITOR	0.01uF 10V K	1	
	C4001	CK73JXR1A104K	C CAPACITOR	0.1uF 10V K	1	
	C4002	CK73JXR1A104K	C CAPACITOR	0.1uF 10V K	1	
	C4004	CK73JXR1A104K	C CAPACITOR	0.1uF 10V K	1	
	C5001	CK73HXR0J105K	C CAPACITOR	1uF 6.3V K	1	
	C5002	CK73HXR0J105K	C CAPACITOR	1uF 6.3V K	1	
	C5003	CK73HXR0J105K	C CAPACITOR	1uF 6.3V K	1	
	C5004	CK73HXR0J105K	C CAPACITOR	1uF 6.3V K	1	
	C5005	CK73HXR0J105K	C CAPACITOR	1uF 6.3V K	1	
	C5006	CK73HXR0J105K	C CAPACITOR	1uF 6.3V K	1	
	C5007	CK73HXR0J105K	C CAPACITOR	1uF 6.3V K	1	
	C6001	CK73JXR1H103K	C CAPACITOR	0.01uF 50V K	1	
	C6002	CK73JXR1H103K	C CAPACITOR	0.01uF 50V K	1	
	C6003	CK73JXR1H103K	C CAPACITOR	0.01uF 50V K	1	
	C9003	CK73JXR1H471K	C CAPACITOR	470pF 50V K	1	K3
	C9015	CK73JXR1H103K	C CAPACITOR	0.01uF 50V K	1	
	C9021	CC73JCH1H101J	C CAPACITOR	100pF 50V J	1	
	C9022	CK73JXR1H472K	C CAPACITOR	4700pF 50V K	1	
	C9024	CK73JXR1H102K	C CAPACITOR	1000pF 50V K	1	K3
	C9025	CK73JXR1H103K	C CAPACITOR	0.01uF 50V K	1	
	C9026	CK73JXR1H471K	C CAPACITOR	470pF 50V K	1	
	C9027	CK73JXR1H103K	C CAPACITOR	0.01uF 50V K	1	
	C9032	CK73JXR1E104K	C CAPACITOR	0.1uF 25V K	1	
	C9033	CK73JXR1H102K	C CAPACITOR	1000pF 50V K	1	
	C9037	CK73JXR1H472K	C CAPACITOR	4700pF 50V K	1	
	C9038	CK73JXR1E104K	C CAPACITOR	0.1uF 25V K	1	
	C9039	CK73JXR1E104K	C CAPACITOR	0.1uF 25V K	1	
	C9045	CK73JXR1H471K	C CAPACITOR	470pF 50V K	1	
	C9047	CK73JXR1H472K	C CAPACITOR	4700pF 50V K	1	
	C9048	CK73JXR1H472K	C CAPACITOR	4700pF 50V K	1	
	C9049	CK73JXR1H472K	C CAPACITOR	4700pF 50V K	1	
	C9050	CK73JXR1H472K	C CAPACITOR	4700pF 50V K	1	
	C9051	CK73JXR1H471K	C CAPACITOR	470pF 50V K	1	
	C9052	CK73JXR1H472K	C CAPACITOR	4700pF 50V K	1	
	C9053	CK73JXR1H102K	C CAPACITOR	1000pF 50V K	1	
	C9054	CK73JXR1H471K	C CAPACITOR	470pF 50V K	1	
	C9062	CK73JXR1H222K	C CAPACITOR	2200pF 50V K	1	E1
	C9064	CK73JXR1H222K	C CAPACITOR	2200pF 50V K	1	
	C9068	CK73JXR1H472K	C CAPACITOR	4700pF 50V K	1	E1
	C9069	CK73JXR1H471K	C CAPACITOR	470pF 50V K	1	
	C9070	CK73JXR1H472K	C CAPACITOR	4700pF 50V K	1	
	C9085	CK73JXR1H103K	C CAPACITOR	0.01uF 50V K	1	
	C9086	CK73JXR1H103K	C CAPACITOR	0.01uF 50V K	1	
	C9087	CK73JXR1H103K	C CAPACITOR	0.01uF 50V K	1	
	C9101	CK73JXR1E104K	C CAPACITOR	0.1uF 25V K	1	
	C9103	CC73JCH1H220J	C CAPACITOR	22pF 50V J	1	K0,K1,E1,M1,M2,K2,K3
	C9110	CK73JXR1A103K	C CAPACITOR	0.01uF 10V K	1	
	C9117	CK73GXR1A106K	C CAPACITOR	10uF 10V K	1	
	C9118	CK73GXR1A106K	C CAPACITOR	10uF 10V K	1	
	C9120	CK73JXR1H471K	C CAPACITOR	470pF 50V K	1	
	C9122	CK73HXR1A105K	C CAPACITOR	1uF 10V K	1	
	C9130	CK73JXR1H471K	C CAPACITOR	470pF 50V K	1	
	C9131	CK73JXR1H471K	C CAPACITOR	470pF 50V K	1	
	C9201	CC73JCH1H050C	C CAPACITOR	5pF 50V C	1	
	C9202	CC73JCH1H050C	C CAPACITOR	5pF 50V C	1	
	C9203	CC73JCH1H050C	C CAPACITOR	5pF 50V C	1	
	C9204	CC73JCH1H070D	C CAPACITOR	7pF 50V D	1	
	C9205	CC73JCH1H070D	C CAPACITOR	7pF 50V D	1	
	C9218	CK73JXR1E104K	C CAPACITOR	0.1uF 25V K	1	
	C9219	CK73JXR1E104K	C CAPACITOR	0.1uF 25V K	1	
	C9220	CK73JXR1E104K	C CAPACITOR	0.1uF 25V K	1	
	C9221	CK73HXR1A105K	C CAPACITOR	1uF 10V K	1	

MODEL	MARK	MODEL	MARK	MODEL	MARK	MODEL	MARK
KDC-360UI	M3	KDC-BT282U	K0	KDC-BT370U	K1	KDC-BT460U	E1
KDC-BT560U	M1	KDC-BT660U	M2	KDC-MP382BT	K2	KMR-D382BT	K3

Safe	Symbol No.	Parts No.	Parts Name	Description	QTY	Local
	C9222	CK73JXR1E104K	C CAPACITOR	0.1uF 25V K	1	
	C9223	CK73JXR1E104K	C CAPACITOR	0.1uF 25V K	1	
	C9224	CK73JXR1E104K	C CAPACITOR	0.1uF 25V K	1	
	C9225	CK73JXR1H472K	C CAPACITOR	4700pF 50V K	1	
	C9226	CK73JXR1H471K	C CAPACITOR	470pF 50V K	1	
	C9518	CK73JXR1H471K	C CAPACITOR	470pF 50V K	1	
	C9527	CK73FXR1E106K	C CAPACITOR	10uF 25V K	1	
	R100	RK73HB1J471J	MG RESISTOR	470Ω 1/16W J	1	
	R101	RK73HB1J101J	MG RESISTOR	100Ω 1/16W J	1	
	R103	RK73HB1J473J	MG RESISTOR	47kΩ 1/16W J	1	
	R104	RK73HB1J473J	MG RESISTOR	47kΩ 1/16W J	1	
	R108	RK73HB1J101J	MG RESISTOR	100Ω 1/16W J	1	
	R109	RK73HB1J101J	MG RESISTOR	100Ω 1/16W J	1	
	R118	RK73HB1J101J	MG RESISTOR	100Ω 1/16W J	1	
	R119	RK73HB1J101J	MG RESISTOR	100Ω 1/16W J	1	
	R120	RK73HB1J101J	MG RESISTOR	100Ω 1/16W J	1	
	R145	RK73HB1J680J	MG RESISTOR	68Ω 1/16W J	1	
	R146	RK73HB1J680J	MG RESISTOR	68Ω 1/16W J	1	
	R147	RK73HB1J680J	MG RESISTOR	68Ω 1/16W J	1	
	R148	RK73HB1J680J	MG RESISTOR	68Ω 1/16W J	1	
	R149	RK73HB1J680J	MG RESISTOR	68Ω 1/16W J	1	
	R150	RK73HB1J680J	MG RESISTOR	68Ω 1/16W J	1	
	R160	RK73HB1J000J	MG RESISTOR	0Ω 1/16W J	1	M2
	R161	RK73HB1J000J	MG RESISTOR	0Ω 1/16W J	1	M3,M2,K3
	R162	RK73HB1J101J	MG RESISTOR	100Ω 1/16W J	1	
	R165	RK73HH1J152D	MG RESISTOR	1.5kΩ 1/16W D	1	K0,K1,E1,M1,M2,K2,K3
	R166	RK73HH1J822D	MG RESISTOR	8.2kΩ 1/16W D	1	K0,K1,E1,M1,M2,K2,K3
	R173	RK73HB1J101J	MG RESISTOR	100Ω 1/16W J	1	
	R175	RK73GB2A000J	MG RESISTOR	0Ω 1/10W J	1	M3,K0,K1,E1,M1,K2,K3
	R176	RK73GB2A000J	MG RESISTOR	0Ω 1/10W J	1	M3,K3
	R177	RK73HB1J562J	MG RESISTOR	5.6kΩ 1/16W J	1	M3,K3
	R178	RK73HB1J752J	MG RESISTOR	7.5kΩ 1/16W J	1	M3,K3
	R179	RK73HH1J102D	MG RESISTOR	1kΩ 1/16W D	1	M3,K3
	R180	RK73HH1J153D	MG RESISTOR	15kΩ 1/16W D	1	M3,K3
	R181	RK73HB1J103J	MG RESISTOR	10kΩ 1/16W J	1	M3,K3
	R182	RK73HH1J752D	MG RESISTOR	7.5kΩ 1/16W D	1	M2
	R183	RK73HH1J132D	MG RESISTOR	1.3kΩ 1/16W D	1	M2
	R188	RK73GB2A000J	MG RESISTOR	0Ω 1/10W J	1	K0,K1,E1,M1,M2,K2
	R220	RK73HB1J101J	MG RESISTOR	100Ω 1/16W J	1	K0,K1,E1,M1,M2,K2,K3
	R221	RK73HB1J101J	MG RESISTOR	100Ω 1/16W J	1	K0,K1,E1,M1,M2,K2,K3
	R222	RK73HB1J000J	MG RESISTOR	0Ω 1/16W J	1	K0,K1,E1,M1,M2,K2,K3
	R223	RK73HB1J392J	MG RESISTOR	3.9kΩ 1/16W J	1	K0,K1,E1,M1,M2,K2,K3
	R224	RK73HB1J103J	MG RESISTOR	10kΩ 1/16W J	1	K0,K1,E1,M1,M2,K2,K3
	R225	RK73HB1J333J	MG RESISTOR	33kΩ 1/16W J	1	K0,K1,E1,M1,M2,K2,K3
	R226	RK73HB1J122J	MG RESISTOR	1.2kΩ 1/16W J	1	K0,K1,E1,M1,M2,K2,K3
	R227	RK73HB1J124J	MG RESISTOR	120kΩ 1/16W J	1	K0,K1,E1,M1,M2,K2,K3
	R229	RK73HB1J122J	MG RESISTOR	1.2kΩ 1/16W J	1	K0,K1,E1,M1,M2,K2,K3
	R230	RK73HB1J124J	MG RESISTOR	120kΩ 1/16W J	1	K0,K1,E1,M1,M2,K2,K3
	R231	RK73HB1J103J	MG RESISTOR	10kΩ 1/16W J	1	K0,K1,E1,M1,M2,K2,K3
	R232	RK73GB2A103J	MG RESISTOR	10kΩ 1/10W J	1	K0,K1,E1,M1,M2,K2,K3
	R233	RK73HB1J681J	MG RESISTOR	680Ω 1/16W J	1	K0,K1,E1,M1,M2,K2,K3
	R234	RK73HB1J222J	MG RESISTOR	2.2kΩ 1/16W J	1	K0,K1,E1,M1,M2,K2,K3
	R235	RK73HB1J103J	MG RESISTOR	10kΩ 1/16W J	1	K0,K1,E1,M1,M2,K2,K3
	R236	RK73HB1J103J	MG RESISTOR	10kΩ 1/16W J	1	K0,K1,E1,M1,M2,K2,K3
	R237	RK73HB1J471J	MG RESISTOR	470Ω 1/16W J	1	K0,K1,E1,M1,M2,K2,K3
	R238	RK73HB1J103J	MG RESISTOR	10kΩ 1/16W J	1	K0,K1,E1,M1,M2,K2,K3
	R250	RK73HB1J181J	MG RESISTOR	180Ω 1/16W J	1	
	R251	RK73HB1J223J	MG RESISTOR	22kΩ 1/16W J	1	
	R252	RK73HB1J331J	MG RESISTOR	330Ω 1/16W J	1	
	R253	RK73HB1J000J	MG RESISTOR	0Ω 1/16W J	1	M3,M2,K3
	R254	RK73HB1J472J	MG RESISTOR	4.7kΩ 1/16W J	1	
	R260	RK73HB1J181J	MG RESISTOR	180Ω 1/16W J	1	K0,K1,E1,M1,K2
	R261	RK73HB1J223J	MG RESISTOR	22kΩ 1/16W J	1	K0,K1,E1,M1,K2
	R262	RK73HB1J331J	MG RESISTOR	330Ω 1/16W J	1	K0,K1,E1,M1,K2
	R264	RK73HB1J472J	MG RESISTOR	4.7kΩ 1/16W J	1	K0,K1,E1,M1,K2
	R270	RK73HB1J104J	MG RESISTOR	100kΩ 1/16W J	1	
	R271	RK73HB1J331J	MG RESISTOR	330Ω 1/16W J	1	
	R272	RK73HB1J303J	MG RESISTOR	30kΩ 1/16W J	1	
	R273	RK73HB1J223J	MG RESISTOR	22kΩ 1/16W J	1	
	R274	RK73HB1J332J	MG RESISTOR	3.3kΩ 1/16W J	1	
	R302	RK73HB1J432J	MG RESISTOR	4.3kΩ 1/16W J	1	
	R303	RK73HB1J160J	MG RESISTOR	16Ω 1/16W J	1	
	R304	RK73HB1J473J	MG RESISTOR	47kΩ 1/16W J	1	
	R305	RK73HB1J1R0J	MG RESISTOR	1.0Ω 1/16W J	1	
	R316	RK73HB1J680J	MG RESISTOR	68Ω 1/16W J	1	
	R317	RK73HB1J680J	MG RESISTOR	68Ω 1/16W J	1	
	R318	RK73HB1J680J	MG RESISTOR	68Ω 1/16W J	1	
	R319	RK73HB1J680J	MG RESISTOR	68Ω 1/16W J	1	
	R320	RK73HB1J181J	MG RESISTOR	180Ω 1/16W J	1	M3,M2,K2,K3
	R321	RK73HB1J223J	MG RESISTOR	22kΩ 1/16W J	1	M3,M2,K2,K3
	R322	RK73HB1J472J	MG RESISTOR	4.7kΩ 1/16W J	1	M3,M2,K2,K3
	R323	RK73HB1J331J	MG RESISTOR	330Ω 1/16W J	1	M3,M2,K2,K3
	R330	RK73HB1J181J	MG RESISTOR	180Ω 1/16W J	1	M3,M2,K2,K3
	R331	RK73HB1J223J	MG RESISTOR	22kΩ 1/16W J	1	M3,M2,K2,K3
	R332	RK73HB1J472J	MG RESISTOR	4.7kΩ 1/16W J	1	M3,M2,K2,K3
	R333	RK73HB1J331J	MG RESISTOR	330Ω 1/16W J	1	M3,M2,K2,K3
	R340	RK73HB1J181J	MG RESISTOR	180Ω 1/16W J	1	M3,M2,K3
	R341	RK73HB1J223J	MG RESISTOR	22kΩ 1/16W J	1	M3,M2,K3
	R342	RK73HB1J472J	MG RESISTOR	4.7kΩ 1/16W J	1	M3,M2,K3
	R343	RK73HB1J331J	MG RESISTOR	330Ω 1/16W J	1	M3,M2,K3
	R350	RK73HB1J181J	MG RESISTOR	180Ω 1/16W J	1	M3,M2,K3
	R351	RK73HB1J223J	MG RESISTOR	22kΩ 1/16W J	1	M3,M2,K3

MODEL	MARK	MODEL	MARK	MODEL	MARK	MODEL	MARK
KDC-360UI	M3	KDC-BT282U	K0	KDC-BT370U	K1	KDC-BT460U	E1
KDC-BT560U	M1	KDC-BT660U	M2	KDC-MP382BT	K2	KMR-D382BT	K3

Safe	Symbol No.	Parts No.	Parts Name	Description	QTY	Local
	R352	RK73HB1J472J	MG RESISTOR	4.7kΩ 1/16W J	1	M3,M2,K3
	R353	RK73HB1J331J	MG RESISTOR	330Ω 1/16W J	1	M3,M2,K3
	R370	RK73HB1J683J	MG RESISTOR	68kΩ 1/16W J	1	
	R371	RK73GB2A123J	MG RESISTOR	12kΩ 1/10W J	1	
	R372	RK73HB1J103J	MG RESISTOR	10kΩ 1/16W J	1	
	R373	RK73HB1J102J	MG RESISTOR	1kΩ 1/16W J	1	
	R390	RK73EB2E472J	MG RESISTOR	4.7kΩ 1/4W J	1	
	R400	RK73HB1J102J	MG RESISTOR	1kΩ 1/16W J	1	
	R410	RK73HB1J101J	MG RESISTOR	100Ω 1/16W J	1	M3,K0,K1,M2,K2,K3
	R411	RK73HB1J101J	MG RESISTOR	100Ω 1/16W J	1	M3,K0,K1,M2,K2,K3
	R413	RK73HB1J472J	MG RESISTOR	4.7kΩ 1/16W J	1	M3,K0,K1,M2,K2,K3
	R414	RK73HB1J472J	MG RESISTOR	4.7kΩ 1/16W J	1	M3,K0,K1,M2,K2,K3
	R468	RK73GB2A100J	MG RESISTOR	10Ω 1/10W J	1	K3
	R469	RK73GB2A4R7J	MG RESISTOR	4.7Ω 1/10W J	1	K3
	R470	RK73GB2A100J	MG RESISTOR	10Ω 1/10W J	1	K3
	R471	RK73HB1J101J	MG RESISTOR	100Ω 1/16W J	1	K3
	R472	RK73HB1J101J	MG RESISTOR	100Ω 1/16W J	1	K3
	R473	RK73HB1J472J	MG RESISTOR	4.7kΩ 1/16W J	1	K3
	R474	RK73HB1J221J	MG RESISTOR	220Ω 1/16W J	1	K3
	R475	RK73HB1J100J	MG RESISTOR	10Ω 1/16W J	1	K3
	R476	RK73HB1J223J	MG RESISTOR	22kΩ 1/16W J	1	K3
	R477	RK73HB1J104J	MG RESISTOR	100kΩ 1/16W J	1	K3
	R480	RK73GB2A334J	MG RESISTOR	330kΩ 1/10W J	1	K3
	R481	RK73EB2E3R3J	MG RESISTOR	3.3Ω 1/4W J	1	K3
	R482	RK73EB2E3R3J	MG RESISTOR	3.3Ω 1/4W J	1	K3
	R483	RK73HB1J104J	MG RESISTOR	100kΩ 1/16W J	1	K3
	R484	RK73HB1J473J	MG RESISTOR	47kΩ 1/16W J	1	K3
	R485	RK73HB1J153J	MG RESISTOR	15kΩ 1/16W J	1	K3
	R486	RK73HB1J473J	MG RESISTOR	47kΩ 1/16W J	1	K3
	R487	RK73HB1J223J	MG RESISTOR	22kΩ 1/16W J	1	K3
	R488	RK73HB1J473J	MG RESISTOR	47kΩ 1/16W J	1	K3
	R489	RK73HB1J333J	MG RESISTOR	33kΩ 1/16W J	1	K3
	R490	RK73HB1J183J	MG RESISTOR	18kΩ 1/16W J	1	K3
	R491	RK73HB1J101J	MG RESISTOR	100Ω 1/16W J	1	K3
	R492	RK73HB1J102J	MG RESISTOR	1kΩ 1/16W J	1	K3
	R493	RK73HB1J101J	MG RESISTOR	100Ω 1/16W J	1	K3
	R494	RK73HB1J332J	MG RESISTOR	3.3kΩ 1/16W J	1	K3
	R495	RK73HB1J100J	MG RESISTOR	10Ω 1/16W J	1	K3
	R496	RK73HB1J473J	MG RESISTOR	47kΩ 1/16W J	1	K3
	R498	RK73HB1J000J	MG RESISTOR	0Ω 1/16W J	1	K3
	R541	RK73HB1J512J	MG RESISTOR	5.1kΩ 1/16W J	1	
	R542	RK73HB1J102J	MG RESISTOR	1kΩ 1/16W J	1	
	R543	RK73EB2E200J	MG RESISTOR	20Ω 1/4W J	1	
	R544	RK73HB1J393J	MG RESISTOR	39kΩ 1/16W J	1	
	R545	RK73HH1J183D	MG RESISTOR	18kΩ 1/16W D	1	
	R546	RK73HH1J393D	MG RESISTOR	39kΩ 1/16W D	1	
	R548	RK73HH1J683D	MG RESISTOR	68kΩ 1/16W D	1	
	R549	RK73HB1J222J	MG RESISTOR	2.2kΩ 1/16W J	1	
	R600	RK73HB1J102J	MG RESISTOR	1kΩ 1/16W J	1	
	R602	RK73HB1J820J	MG RESISTOR	82Ω 1/16W J	1	
	R603	RK73HB1J105J	MG RESISTOR	1MΩ 1/16W J	1	
	R604	RK73HB1J105J	MG RESISTOR	1MΩ 1/16W J	1	
	R605	RK73HB1J4R7J	MG RESISTOR	4.7Ω 1/16W J	1	
	R606	RK73HB1J101J	MG RESISTOR	100Ω 1/16W J	1	
	R607	RK73HB1J101J	MG RESISTOR	100Ω 1/16W J	1	
	R682	RK73HB1J101J	MG RESISTOR	100Ω 1/16W J	1	
	R683	RK73HB1J000J	MG RESISTOR	0Ω 1/16W J	1	
	R684	RK73HB1J392J	MG RESISTOR	3.9kΩ 1/16W J	1	
	R685	RK73HB1J392J	MG RESISTOR	3.9kΩ 1/16W J	1	
	R702	RK73HB1J222J	MG RESISTOR	2.2kΩ 1/16W J	1	
	R703	RK73HB1J101J	MG RESISTOR	100Ω 1/16W J	1	
	R704	RK73HB1J222J	MG RESISTOR	2.2kΩ 1/16W J	1	
	R705	RK73HB1J101J	MG RESISTOR	100Ω 1/16W J	1	
	R706	RK73HB1J332J	MG RESISTOR	3.3kΩ 1/16W J	1	
	R707	RK73HB1J101J	MG RESISTOR	100Ω 1/16W J	1	
	R709	RK73HB1J472J	MG RESISTOR	4.7kΩ 1/16W J	1	
	R710	RK73HB1J682J	MG RESISTOR	6.8kΩ 1/16W J	1	
	R711	RK73HB1J472J	MG RESISTOR	4.7kΩ 1/16W J	1	
	R712	RK73HB1J473J	MG RESISTOR	47kΩ 1/16W J	1	
	R713	RK73HB1J101J	MG RESISTOR	100Ω 1/16W J	1	
	R714	RK73HB1J274J	MG RESISTOR	270kΩ 1/16W J	1	
	R715	RK73HB1J101J	MG RESISTOR	100Ω 1/16W J	1	
	R718	RK73HB1J472J	MG RESISTOR	4.7kΩ 1/16W J	1	
	R721	RK73HB1J101J	MG RESISTOR	100Ω 1/16W J	1	
	R722	RK73HB1J101J	MG RESISTOR	100Ω 1/16W J	1	
	R723	RK73HB1J101J	MG RESISTOR	100Ω 1/16W J	1	
	R725	RK73HB1J101J	MG RESISTOR	100Ω 1/16W J	1	
	R730	RK73HB1J222J	MG RESISTOR	2.2kΩ 1/16W J	1	
	R731	RK73HB1J101J	MG RESISTOR	100Ω 1/16W J	1	
	R733	RK73HB1J103J	MG RESISTOR	10kΩ 1/16W J	1	
	R734	RK73HB1J101J	MG RESISTOR	100Ω 1/16W J	1	
	R735	RK73HB1J273J	MG RESISTOR	27kΩ 1/16W J	1	
	R737	RK73HB1J101J	MG RESISTOR	100Ω 1/16W J	1	
	R738	RK73HB1J103J	MG RESISTOR	10kΩ 1/16W J	1	
	R739	RK73HB1J102J	MG RESISTOR	1kΩ 1/16W J	1	
	R740	RK73HB1J472J	MG RESISTOR	4.7kΩ 1/16W J	1	
	R741	RK73HB1J473J	MG RESISTOR	47kΩ 1/16W J	1	
	R742	RK73HB1J101J	MG RESISTOR	100Ω 1/16W J	1	
	R743	RK73HB1J222J	MG RESISTOR	2.2kΩ 1/16W J	1	
	R744	RK73HB1J101J	MG RESISTOR	100Ω 1/16W J	1	

MODEL	MARK	MODEL	MARK	MODEL	MARK	MODEL	MARK
KDC-360UI	M3	KDC-BT282U	K0	KDC-BT370U	K1	KDC-BT460U	E1
KDC-BT560U	M1	KDC-BT660U	M2	KDC-MP382BT	K2	KMR-D382BT	K3

Safe	Symbol No.	Parts No.	Parts Name	Description	QTY	Local
	R746	RK73HB1J000J	MG RESISTOR	0Ω 1/16W J	1	
	R748	RK73HB1J101J	MG RESISTOR	100Ω 1/16W J	1	
	R750	RK73HB1J101J	MG RESISTOR	100Ω 1/16W J	1	
	R753	RK73HB1J273J	MG RESISTOR	27kΩ 1/16W J	1	
	R755	RK73HB1J103J	MG RESISTOR	10kΩ 1/16W J	1	
	R756	RK73HB1J101J	MG RESISTOR	100Ω 1/16W J	1	
	R760	RK73HB1J000J	MG RESISTOR	0Ω 1/16W J	1	K0,K1,E1,M1,M2,K2,K3
	R761	RK73HB1J000J	MG RESISTOR	0Ω 1/16W J	1	K0,K1,E1,M1,M2,K2,K3
	R762	RK73HB1J330J	MG RESISTOR	33Ω 1/16W J	1	
	R763	RK73HB1J101J	MG RESISTOR	100Ω 1/16W J	1	K3
	R766	RK73HB1J102J	MG RESISTOR	1kΩ 1/16W J	1	
	R768	RK73HB1J333J	MG RESISTOR	33kΩ 1/16W J	1	M3,M1,M2
	R768	RK73HB1J393J	MG RESISTOR	39kΩ 1/16W J	1	E1
	R769	RK73HB1J153J	MG RESISTOR	15kΩ 1/16W J	1	M3,M1,M2
	R769	RK73HB1J473J	MG RESISTOR	47kΩ 1/16W J	1	K0,K1,K2,K3
	R769	RK73HB1J822J	MG RESISTOR	8.2kΩ 1/16W J	1	E1
	R770	RK73HB1J393J	MG RESISTOR	39kΩ 1/16W J	1	M3,K1
	R770	RK73HB1J333J	MG RESISTOR	33kΩ 1/16W J	1	K2
	R771	RK73HB1J822J	MG RESISTOR	8.2kΩ 1/16W J	1	M3,K1
	R771	RK73HB1J473J	MG RESISTOR	47kΩ 1/16W J	1	K0,E1,M1,M2,K3
	R771	RK73HB1J153J	MG RESISTOR	15kΩ 1/16W J	1	K2
	R772	RK73HB1J101J	MG RESISTOR	100Ω 1/16W J	1	K0,K1,E1,M1,M2,K2,K3
	R775	RK73HB1J152J	MG RESISTOR	1.5kΩ 1/16W J	1	K2
	R776	RK73HB1J152J	MG RESISTOR	1.5kΩ 1/16W J	1	K2
	R777	RK73HB1J101J	MG RESISTOR	100Ω 1/16W J	1	K0,K1,E1,M1,M2,K2,K3
	R778	RK73HB1J101J	MG RESISTOR	100Ω 1/16W J	1	K0,K1,E1,M1,M2,K2,K3
	R779	RK73HB1J470J	MG RESISTOR	47Ω 1/16W J	1	K2
	R781	RK73HB1J470J	MG RESISTOR	47Ω 1/16W J	1	K2
	R782	RK73HB1J330J	MG RESISTOR	33Ω 1/16W J	1	
	R783	RK73HH1J472D	MG RESISTOR	4.7kΩ 1/16W D	1	K2
	R784	RK73HH1J472D	MG RESISTOR	4.7kΩ 1/16W D	1	K2
	R785	RK73HB1J330J	MG RESISTOR	33Ω 1/16W J	1	
	R786	RK73HB1J681J	MG RESISTOR	680Ω 1/16W J	1	K2
	R788	RK73HH1J823D	MG RESISTOR	82kΩ 1/16W D	1	
	R789	RK73HH1J393D	MG RESISTOR	39kΩ 1/16W D	1	
	R791	RK73HB1J681J	MG RESISTOR	680Ω 1/16W J	1	K2
	R793	RK73HB1J273J	MG RESISTOR	27kΩ 1/16W J	1	
	R794	RK73HB1J101J	MG RESISTOR	100Ω 1/16W J	1	
	R795	RK73HB1J101J	MG RESISTOR	100Ω 1/16W J	1	
	R796	RK73HH1J302D	MG RESISTOR	3kΩ 1/16W D	1	
	R797	RK73HB1J222J	MG RESISTOR	2.2kΩ 1/16W J	1	
	R798	RK73HB1J222J	MG RESISTOR	2.2kΩ 1/16W J	1	
	R799	RK73HB1J105J	MG RESISTOR	1MΩ 1/16W J	1	
	R800	RK73HB1J000J	MG RESISTOR	0Ω 1/16W J	1	
	R801	RK73HB1J102J	MG RESISTOR	1kΩ 1/16W J	1	
	R802	RK73HB1J473J	MG RESISTOR	47kΩ 1/16W J	1	K0,K1,E1,K3
	R803	RK73HB1J225J	MG RESISTOR	2.2MΩ 1/16W J	1	M3,M1,M2,K2
	R804	RK73HB1J473J	MG RESISTOR	47kΩ 1/16W J	1	
	R805	RK73HB1J102J	MG RESISTOR	1kΩ 1/16W J	1	
	R806	RK73HB1J102J	MG RESISTOR	1kΩ 1/16W J	1	
	R808	RK73HB1J680J	MG RESISTOR	68Ω 1/16W J	1	
	R809	RK73HB1J102J	MG RESISTOR	1kΩ 1/16W J	1	
	R811	RK73HB1J101J	MG RESISTOR	100Ω 1/16W J	1	
	R813	RK73HB1J000J	MG RESISTOR	0Ω 1/16W J	1	
	R814	RK73HB1J220J	MG RESISTOR	22Ω 1/16W J	1	
	R815	RK73HB1J220J	MG RESISTOR	22Ω 1/16W J	1	
	R819	RK73HB1J220J	MG RESISTOR	22Ω 1/16W J	1	
	R820	RK73HB1J473J	MG RESISTOR	47kΩ 1/16W J	1	
	R823	RK73HB1J470J	MG RESISTOR	47Ω 1/16W J	1	
	R824	RK73HB1J473J	MG RESISTOR	47kΩ 1/16W J	1	
	R827	RK73HB1J103J	MG RESISTOR	10kΩ 1/16W J	1	
	R828	RK73HB1J103J	MG RESISTOR	10kΩ 1/16W J	1	
	R829	RK73HB1J220J	MG RESISTOR	22Ω 1/16W J	1	
	R830	RK73HB1J101J	MG RESISTOR	100Ω 1/16W J	1	
	R831	RK73HB1J222J	MG RESISTOR	2.2kΩ 1/16W J	1	
	R833	RK73HB1J220J	MG RESISTOR	22Ω 1/16W J	1	
	R834	RK73HB1J220J	MG RESISTOR	22Ω 1/16W J	1	
	R835	RK73HB1J220J	MG RESISTOR	22Ω 1/16W J	1	
	R836	RK73HB1J330J	MG RESISTOR	33Ω 1/16W J	1	
	R837	RK73HB1J511J	MG RESISTOR	510Ω 1/16W J	1	K2
	R838	RK73HB1J511J	MG RESISTOR	510Ω 1/16W J	1	K2
	R839	RK73HB1J102J	MG RESISTOR	1kΩ 1/16W J	1	K2
	R840	RK73HB1J102J	MG RESISTOR	1kΩ 1/16W J	1	K2
	R841	RK73HB1J104J	MG RESISTOR	100kΩ 1/16W J	1	K2
	R842	RK73HB1J104J	MG RESISTOR	100kΩ 1/16W J	1	K2
	R843	RK73HB1J222J	MG RESISTOR	2.2kΩ 1/16W J	1	K2
	R844	RK73HB1J332J	MG RESISTOR	3.3kΩ 1/16W J	1	
	R845	RK73HB1J473J	MG RESISTOR	47kΩ 1/16W J	1	
	R846	RK73HB1J473J	MG RESISTOR	47kΩ 1/16W J	1	
	R848	RK73HB1J000J	MG RESISTOR	0Ω 1/16W J	1	
	R870	RK73HB1J562J	MG RESISTOR	5.6kΩ 1/16W J	1	
	R889	RK73HB1J332J	MG RESISTOR	3.3kΩ 1/16W J	1	
	R891	RK73HH1J243D	MG RESISTOR	24kΩ 1/16W D	1	M3,K0,E1,M1,M2,K2,K3
	R891	RK73HH1J563D	MG RESISTOR	56kΩ 1/16W D	1	K1
	R892	RK73HH1J393D	MG RESISTOR	39kΩ 1/16W D	1	K1
	R893	RK73HB1J222J	MG RESISTOR	2.2kΩ 1/16W J	1	
	R903	RK73HH1J334D	MG RESISTOR	330kΩ 1/16W D	1	M3,K3
	R903	RK73HH1J394D	MG RESISTOR	390kΩ 1/16W D	1	K0,K1,E1,M1,K2
	R903	RK73HH1J474D	MG RESISTOR	470kΩ 1/16W D	1	M2
	R904	RK73HH1J473D	MG RESISTOR	47kΩ 1/16W D	1	M3,K3
	R904	RK73HH1J103D	MG RESISTOR	10kΩ 1/16W D	1	K0,K1,E1,M1,K2
	R904	RK73HH1J563D	MG RESISTOR	56kΩ 1/16W D	1	M2

MODEL	MARK	MODEL	MARK	MODEL	MARK	MODEL	MARK
KDC-360UI	M3	KDC-BT282U	K0	KDC-BT370U	K1	KDC-BT460U	E1
KDC-BT560U	M1	KDC-BT660U	M2	KDC-MP382BT	K2	KMR-D382BT	K3

Safe	Symbol No.	Parts No.	Parts Name	Description	QTY	Local
R905		RK73HB1J101J	MG RESISTOR	100Ω 1/16W J	1	
R908		RK73HH1J154D	MG RESISTOR	150kΩ 1/16W D	1	
R909		RK73HH1J473D	MG RESISTOR	47kΩ 1/16W D	1	
R910		RK73HB1J102J	MG RESISTOR	1kΩ 1/16W J	1	
R911		RK73HB1J683J	MG RESISTOR	68kΩ 1/16W J	1	
R912		RK73HB1J101J	MG RESISTOR	100Ω 1/16W J	1	
R913		RK73HB1J101J	MG RESISTOR	100Ω 1/16W J	1	
R917		RK73HH1J393D	MG RESISTOR	39kΩ 1/16W D	1	
R920		RK73HH1J124D	MG RESISTOR	120kΩ 1/16W D	1	
R921		RK73HH1J153D	MG RESISTOR	15kΩ 1/16W D	1	
R922		RK73HB1J102J	MG RESISTOR	1kΩ 1/16W J	1	
R923		RK73HH1J564D	MG RESISTOR	560kΩ 1/16W D	1	
R924		RK73HB1J000J	MG RESISTOR	0Ω 1/16W J	1	
R925		RK73HH1J184D	MG RESISTOR	180kΩ 1/16W D	1	
R927		RK73HB1J103J	MG RESISTOR	10kΩ 1/16W J	1	
R928		RK73HB1J101J	MG RESISTOR	100Ω 1/16W J	1	
R929		RK73HB1J101J	MG RESISTOR	100Ω 1/16W J	1	
R933		RK73HH1J684D	MG RESISTOR	680kΩ 1/16W D	1	
R934		RK73HH1J563D	MG RESISTOR	56kΩ 1/16W D	1	
R939		RK73HH1J433D	MG RESISTOR	43kΩ 1/16W D	1	
R940		RK73HH1J123D	MG RESISTOR	12kΩ 1/16W D	1	
R941		RK73HH1J393D	MG RESISTOR	39kΩ 1/16W D	1	
R946		RK73HB1J222J	MG RESISTOR	2.2kΩ 1/16W J	1	
R950		RK73HB1J000J	MG RESISTOR	0Ω 1/16W J	1	
R951		RK73HB1J471J	MG RESISTOR	470Ω 1/16W J	1	
R952		RK73HB1J000J	MG RESISTOR	0Ω 1/16W J	1	
R954		RK73HB1J222J	MG RESISTOR	2.2kΩ 1/16W J	1	
R955		RK73EB2E184J	MG RESISTOR	180kΩ 1/4W J	1	
R960		RK73HB1J153J	MG RESISTOR	15kΩ 1/16W J	1	
R980		RK73EB2E682J	MG RESISTOR	6.8kΩ 1/4W J	1	
R981		RK73EB2E682J	MG RESISTOR	6.8kΩ 1/4W J	1	
R982		RK73EB2E473J	MG RESISTOR	47kΩ 1/4W J	1	
R984		RK73EB2E473J	MG RESISTOR	47kΩ 1/4W J	1	
R1070		RK73HB1J102J	MG RESISTOR	1kΩ 1/16W J	1	
R1300		RK73HB1J562J	MG RESISTOR	5.6kΩ 1/16W J	1	K0,K1,E1,M1,M2,K2,K3
R1302		RK73HB1J220J	MG RESISTOR	22Ω 1/16W J	1	K0,K1,E1,M1,M2,K2,K3
R1303		RK73HB1J220J	MG RESISTOR	22Ω 1/16W J	1	K0,K1,E1,M1,M2,K2,K3
R1900		RK73HB1J101J	MG RESISTOR	100Ω 1/16W J	1	
R1901		RK73HB1J101J	MG RESISTOR	100Ω 1/16W J	1	
R1902		RK73HB1J101J	MG RESISTOR	100Ω 1/16W J	1	
R1903		RK73HB1J101J	MG RESISTOR	100Ω 1/16W J	1	
R1904		RK73HB1J101J	MG RESISTOR	100Ω 1/16W J	1	
R1905		RK73HB1J101J	MG RESISTOR	100Ω 1/16W J	1	
R1906		RK73HB1J101J	MG RESISTOR	100Ω 1/16W J	1	
R1907		RK73HB1J101J	MG RESISTOR	100Ω 1/16W J	1	
R1908		RK73HB1J101J	MG RESISTOR	100Ω 1/16W J	1	
R1909		RK73HB1J101J	MG RESISTOR	100Ω 1/16W J	1	
R1910		RK73HB1J101J	MG RESISTOR	100Ω 1/16W J	1	
R1911		RK73HB1J101J	MG RESISTOR	100Ω 1/16W J	1	
R1912		RK73HB1J101J	MG RESISTOR	100Ω 1/16W J	1	
R1913		RK73HB1J101J	MG RESISTOR	100Ω 1/16W J	1	
R1914		RK73HB1J101J	MG RESISTOR	100Ω 1/16W J	1	
R1915		RK73HB1J101J	MG RESISTOR	100Ω 1/16W J	1	
R1920		RK73HB1J000J	MG RESISTOR	0Ω 1/16W J	1	
R1921		RK73HB1J470J	MG RESISTOR	47Ω 1/16W J	1	
R1922		RK73HB1J680J	MG RESISTOR	68Ω 1/16W J	1	
R1923		RK73HB1J330J	MG RESISTOR	33Ω 1/16W J	1	
R1924		RK73HB1J680J	MG RESISTOR	68Ω 1/16W J	1	
R1925		RK73HB1J680J	MG RESISTOR	68Ω 1/16W J	1	
R1926		RK73HB1J680J	MG RESISTOR	68Ω 1/16W J	1	
R1927		RK73HB1J680J	MG RESISTOR	68Ω 1/16W J	1	
R1928		RK73HB1J680J	MG RESISTOR	68Ω 1/16W J	1	
R1929		RK73HB1J680J	MG RESISTOR	68Ω 1/16W J	1	
R1930		RK73HB1J680J	MG RESISTOR	68Ω 1/16W J	1	
R1931		RK73HB1J680J	MG RESISTOR	68Ω 1/16W J	1	
R1932		RK73HB1J000J	MG RESISTOR	0Ω 1/16W J	1	
R1933		RK73HB1J101J	MG RESISTOR	100Ω 1/16W J	1	
R1934		RK73HB1J101J	MG RESISTOR	100Ω 1/16W J	1	
R1935		RK73HB1J101J	MG RESISTOR	100Ω 1/16W J	1	
R1936		RK73HB1J101J	MG RESISTOR	100Ω 1/16W J	1	
R1937		RK73HB1J101J	MG RESISTOR	100Ω 1/16W J	1	
R1938		RK73HB1J680J	MG RESISTOR	68Ω 1/16W J	1	
R1939		RK73HB1J680J	MG RESISTOR	68Ω 1/16W J	1	
R1940		RK73HB1J680J	MG RESISTOR	68Ω 1/16W J	1	
R1941		RK73HB1J680J	MG RESISTOR	68Ω 1/16W J	1	
R1942		RK73HB1J680J	MG RESISTOR	68Ω 1/16W J	1	
R1943		RK73HB1J680J	MG RESISTOR	68Ω 1/16W J	1	
R1944		RK73HB1J680J	MG RESISTOR	68Ω 1/16W J	1	
R2002		RK73HB1J101J	MG RESISTOR	100Ω 1/16W J	1	
R2003		RK73HB1J220J	MG RESISTOR	22Ω 1/16W J	1	K0,K1,E1,M1,M2,K2,K3
R2004		RK73HB1J220J	MG RESISTOR	22Ω 1/16W J	1	K0,K1,E1,M1,M2,K2,K3
R2006		RK73HB1J101J	MG RESISTOR	100Ω 1/16W J	1	
R2007		RK73HB1J000J	MG RESISTOR	0Ω 1/16W J	1	K3
R2008		RK73HB1J101J	MG RESISTOR	100Ω 1/16W J	1	K3
R2010		RK73HB1J000J	MG RESISTOR	0Ω 1/16W J	1	K0,K1,E1,M1,M2,K2,K3
R2011		RK73HB1J101J	MG RESISTOR	100Ω 1/16W J	1	K0,K1,E1,M1,M2,K2,K3
R2012		RK73HB1J220J	MG RESISTOR	22Ω 1/16W J	1	K0,K1,E1,M1,M2,K2,K3
R2013		RK73HB1J101J	MG RESISTOR	100Ω 1/16W J	1	K0,K1,E1,M1,M2,K2,K3
R2014		RK73HB1J103J	MG RESISTOR	10kΩ 1/16W J	1	K0,K1,E1,M1,M2,K2,K3
R2016		RK73HB1J101J	MG RESISTOR	100Ω 1/16W J	1	K0,K1,E1,M1,M2,K2,K3

MODEL	MARK	MODEL	MARK	MODEL	MARK	MODEL	MARK
KDC-360UI	M3	KDC-BT282U	K0	KDC-BT370U	K1	KDC-BT460U	E1
KDC-BT560U	M1	KDC-BT660U	M2	KDC-MP382BT	K2	KMR-D382BT	K3

Safe	Symbol No.	Parts No.	Parts Name	Description	QTY	Local
	R2017	RK73HB1J101J	MG RESISTOR	100Ω 1/16W J	1	K0,K1,E1,M1,M2,K2,K3
	R2018	RK73HB1J101J	MG RESISTOR	100Ω 1/16W J	1	K0,K1,E1,M1,M2,K2,K3
	R2019	RK73HB1J101J	MG RESISTOR	100Ω 1/16W J	1	K0,K1,E1,M1,M2,K2,K3
	R2021	RK73HB1J220J	MG RESISTOR	22Ω 1/16W J	1	K0,K1,E1,M1,M2,K2,K3
	R2023	RK73HB1J101J	MG RESISTOR	100Ω 1/16W J	1	K0,K1,E1,M1,M2,K2,K3
	R2024	RK73HH1J100D	MG RESISTOR	10Ω 1/16W D	1	
	R2026	RK73HB1J000J	MG RESISTOR	0Ω 1/16W J	1	
	R2029	RK73HB1J101J	MG RESISTOR	100Ω 1/16W J	1	
	R2033	RK73HB1J222J	MG RESISTOR	2.2kΩ 1/16W J	1	
	R2034	RK73HB1J222J	MG RESISTOR	2.2kΩ 1/16W J	1	
	R7571	RK73HB1J472J	MG RESISTOR	4.7kΩ 1/16W J	1	
	R7581	RK73HB1J472J	MG RESISTOR	4.7kΩ 1/16W J	1	
	R7641	RK73HB1J472J	MG RESISTOR	4.7kΩ 1/16W J	1	
	R7651	RK73HB1J472J	MG RESISTOR	4.7kΩ 1/16W J	1	
	R9005	RK73HB1J000J	MG RESISTOR	0Ω 1/16W J	1	
	R9011	RK73HB1J101J	MG RESISTOR	100Ω 1/16W J	1	
	R9019	RK73HB1J101J	MG RESISTOR	100Ω 1/16W J	1	
	R9029	RK73HB1J272J	MG RESISTOR	2.7kΩ 1/16W J	1	
	R9030	RK73HB1J101J	MG RESISTOR	100Ω 1/16W J	1	
	R9031	RK73HB1J101J	MG RESISTOR	100Ω 1/16W J	1	
	R9201	RK73HH1J100D	MG RESISTOR	10Ω 1/16W D	1	
	R9710	RK73HB1J472J	MG RESISTOR	4.7kΩ 1/16W J	1	
	R9711	RK73HB1J472J	MG RESISTOR	4.7kΩ 1/16W J	1	
	R9712	RK73HB1J472J	MG RESISTOR	4.7kΩ 1/16W J	1	
	R9713	RK73HB1J472J	MG RESISTOR	4.7kΩ 1/16W J	1	
	L165	LR73Z0AD100M	CHIP INDUCTOR		1	M3,K3
	L540	LK73Z0CA4R7M	M.CHIP INDUCTOR		1	
	L541	LR79Z0JM100M	CHIP INDUCTOR		1	
	L600	LR73Z0AD1R0M	CHIP INDUCTOR		1	
	L601	LK73G0BE4R7K	M.CHIP INDUCTOR		1	
	L602	LK73H0BUR47K	M.CHIP INDUCTOR		1	
	L603	LK73H0BUR10K	M.CHIP INDUCTOR		1	
	L604	LK73H0BU1R0K	M.CHIP INDUCTOR		1	
	L605	LK73H0BUR22K	M.CHIP INDUCTOR		1	
	L606	LK73H0BUR12K	M.CHIP INDUCTOR		1	
	L607	LK73H0BUR15K	M.CHIP INDUCTOR		1	
	L691	LR73Z0AD1R0M	CHIP INDUCTOR		1	
	L701	LB73H0AY-004	CHIP FERRITE		1	
	L702	LB73H0AY-004	CHIP FERRITE		1	
	L706	LB73H0AY-004	CHIP FERRITE		1	K3
	L707	LB73H0AY-004	CHIP FERRITE		1	K3
	L708	LB73H0GA-002	CHIP FERRITE		1	
	L709	LB73H0AY-004	CHIP FERRITE		1	
	L790	LK73H0BX39NG	M.CHIP INDUCTOR		1	M3,K0,K1,M2,K2,K3
	L790	RK73HB1J100J	MG RESISTOR		1	E1,M1
	L792	LK73H0BX39NG	M.CHIP INDUCTOR		1	M3,K0,K1,M2,K2,K3
	L792	RK73HB1J100J	MG RESISTOR		1	E1,M1
	L821	LB73G0ED-002	CHIP FERRITE		1	
	L830	LB73G0ED-002	CHIP FERRITE		1	
	L901	LR79Z0JM330M	CHIP INDUCTOR		1	
	L902	LR79Z0JM330M	CHIP INDUCTOR		1	
	L903	LK73Z0CA4R7M	M.CHIP INDUCTOR		1	
	L990	L3D-0043-00	CHOKE COIL		1	
	L2005	LR73Z0AD4R7M	CHIP INDUCTOR		1	
	L2006	RK73HH1J470D	MG RESISTOR		1	
	L9002	RK73GB2A000J	MG RESISTOR		1	K0,K1,E1,M1,M2,K2,K3
	A1303	W0C-0414-00	CIRCUIT MODULE		1	K0,K1,E1,M1,M2,K2,K3
	CN481	EA710AP-2006A	W TO B CONNE		1	K3
	CN701	E5J-0216-00	R.RECEPTACLE		1	
	CN702	EA710AQ-1503A	W TO B CONNE		1	K2
	CN990	E5J-0139-00	R.RECEPTACLE		1	
	CN3000	EC720AE-1026B	FFC FPC CONNE		1	
△	F321	F53-0513-08	PATTERN FUSE	4A	1	
△	F322	F53-0513-08	PATTERN FUSE	4A	1	
△	F540	FZA10BH-2R5	FUSE (CC)		1	
	J220	E1B-0013-00	3.5D PHONE JACK		1	K0,K1,E1,M1,M2,K2,K3
	J321	E6D-0016-10	PIN JACK		1	M3,M2,K3
	J321	E6D-0014-10	PIN JACK		1	K0,K1,E1,M1
	J321	E6D-0015-10	PIN JACK		1	K2
	J470	E5G-0029-00	CYL.RECEPTACLE		1	K3
	J600	E6J-0017-00	JACK OTHERS		1	
	S830	S7A-0031-00	TACTILE PUSH SW		1	
	VA390	SDV1005E18//0	VARIATOR		1	
	VA471	FOK-0420-00	SURGE ABSORBER		1	K3
	VA472	FOK-0420-00	SURGE ABSORBER		1	K3
	VA473	FOK-0420-00	SURGE ABSORBER		1	K3
	VA474	FOK-0420-00	SURGE ABSORBER		1	K3
	VA475	FOK-0420-00	SURGE ABSORBER		1	K3
	VA476	FOK-0420-00	SURGE ABSORBER		1	K3
	VA480	FOK-0420-00	SURGE ABSORBER		1	K3
	VA602	FOK-0265-00	SURGE ABSORBER		1	
	VA701	FOK-0420-00	SURGE ABSORBER		1	
	VA702	FOK-0420-00	SURGE ABSORBER		1	
	VA703	FOK-0420-00	SURGE ABSORBER		1	
	VA704	FOK-0420-00	SURGE ABSORBER		1	
	VA705	FOK-0420-00	SURGE ABSORBER		1	
	VA706	FOK-0420-00	SURGE ABSORBER		1	
	VA707	FOK-0420-00	SURGE ABSORBER		1	
	VA709	FOK-0420-00	SURGE ABSORBER		1	
	VA710	FOK-0420-00	SURGE ABSORBER		1	
	VA711	FOK-0420-00	SURGE ABSORBER		1	
	VA714	FOK-0420-00	SURGE ABSORBER		1	

MODEL	MARK	MODEL	MARK	MODEL	MARK	MODEL	MARK
KDC-360UI	M3	KDC-BT282U	K0	KDC-BT370U	K1	KDC-BT460U	E1
KDC-BT560U	M1	KDC-BT660U	M2	KDC-MP382BT	K2	KMR-D382BT	K3

Safe	Symbol No.	Parts No.	Parts Name	Description	QTY	Local
	VA716	F0K-0420-00	SURGE ABSORBER		1	
	VA717	F0K-0420-00	SURGE ABSORBER		1	
	VA780	F0K-0420-00	SURGE ABSORBER		1	K2
	VA781	F0K-0420-00	SURGE ABSORBER		1	K2
	VA905	F0K-0420-00	SURGE ABSORBER		1	
	VA906	F0K-0420-00	SURGE ABSORBER		1	
	VA907	F0K-0420-00	SURGE ABSORBER		1	
	X600	L7J-0014-00	QUARTZ CRYSTAL		1	
	X701	L7J-0138-00	QUARTZ CRYSTAL		1	
	X702	L7J-0123-00	QUARTZ CRYSTAL		1	
SWITCH PWB ASSY (XJ6-161x-0x) <XJ6>						
	IC1	BU97520AKV-M	MOS IC		1	K0,K1,E1,M1,K2
	IC90	SIRD630B6T	IR DETECT UNIT		1	M1,K2
	Q1	KTC4075P/Y/	TRANSISTOR		1	K0,E1,M1,K2
	Q1	LSCR523UBFS8	TRANSISTOR		1	K1
	Q51	KTC4075EP/Y/	TRANSISTOR		1	K0,E1,M1,K2
	Q51	LSCR523EBFS8	TRANSISTOR		1	K1
	Q52	KTC4075P/Y/	TRANSISTOR		1	K0,E1,M1,K2
	Q52	LSCR523UBFS8	TRANSISTOR		1	K1
	Q90	KRA302E-P	DIGI TRANSISTOR		1	M1,K2
	Q91	KRC402E-P	DIGI TRANSISTOR		1	M1,K2
	D1	UDZV5.6B	ZENER DIODE		1	K0,K1,E1,M1,K2
	D2	SM5818PL	SCHOTTKY DIODE		1	K0,K1,E1,M1,K2
	D20	QSMH-C199	LED		1	K0,K1,E1,M1,K2
	D21	QSMTUBB5ZT3Y2	LED		1	K0,K1,K2
	D21	LRT67F-U1AA11	LED		1	E1,M1
	D22	QSMTUBB5ZT3Y2	LED		1	K0,K1,K2
	D22	LRT67F-U1AA11	LED		1	E1,M1
	D23	QSMTUBB5ZT3Y2	LED		1	K0,K1,K2
	D23	LRT67F-U1AA11	LED		1	E1,M1
	D25	QSMR-C13SBCMN	LED		1	K0,K1,K2
	D25	QSMH-C199	LED		1	E1,M1
	D26	QSMR-C13SBCMN	LED		1	K0,K1,K2
	D26	QSMH-C199	LED		1	E1,M1
	D46	NHSW157B	LED		1	K0,K1,E1,M1,K2
	D48	NHSW157B	LED		1	K0,K1,E1,M1,K2
	C1	CK73GXR1A475K	C CAPACITOR	4.7uF 10V K	1	K0,K1,E1,M1,K2
	C4	CK73GXR1A475K	C CAPACITOR	4.7uF 10V K	1	K0,K1,E1,M1,K2
	C5	CK73HXR1A105K	C CAPACITOR	1uF 10V K	1	K0,K1,E1,M1,K2
	C6	CK73FXR1C106K	C CAPACITOR	10uF 16V K	1	K0,K1,E1,M1,K2
	C7	CK73JXR1H472K	C CAPACITOR	4700pF 50V K	1	K0,K1,E1,M1,K2
	C60	CK73JXR1H102K	C CAPACITOR	1000pF 50V K	1	K0,K1,E1,M1,K2
	C61	CK73JXR1H102K	C CAPACITOR	1000pF 50V K	1	K0,K1,E1,M1,K2
	C80	CC73JCH1H270J	C CAPACITOR	27pF 50V J	1	E1,M1
	C81	CC73JCH1H270J	C CAPACITOR	27pF 50V J	1	E1,M1
	C82	CK73FXR1E106K	C CAPACITOR	10uF 25V K	1	K0,K1,E1,M1,K2
	C83	CK73JXR1H471K	C CAPACITOR	470pF 50V K	1	K0,K1,E1,M1,K2
	C84	CK73JXR1H472K	C CAPACITOR	4700pF 50V K	1	K0,K1,E1,M1,K2
	C85	CK73JXR1H471K	C CAPACITOR	470pF 50V K	1	K0,K1,E1,M1,K2
	C86	CK73JXR1H472K	C CAPACITOR	4700pF 50V K	1	K0,K1,E1,M1,K2
	C91	CK73HXR1A105K	C CAPACITOR	1uF 10V K	1	M1,K2
	R1	RK73HB1J101J	MG RESISTOR	100Ω 1/16W J	1	K0,K1,E1,M1,K2
	R3	RK73HB1J471J	MG RESISTOR	470Ω 1/16W J	1	K0,K1,E1,M1,K2
	R5	RK73EB2E331J	MG RESISTOR	330Ω 1/4W J	1	K0,K1,E1,M1,K2
	R6	RK73HB1J102J	MG RESISTOR	1kΩ 1/16W J	1	K0,K1,E1,M1,K2
	R21	RK73GB2A152J	MG RESISTOR	1.5kΩ 1/10W J	1	K0,K1,E1,M1,K2
	R22	RK73EB2E681J	MG RESISTOR	680Ω 1/4W J	1	K0,K1,K2
	R22	RK73EB2E821J	MG RESISTOR	820Ω 1/4W J	1	E1,M1
	R23	RK73EB2E391J	MG RESISTOR	390Ω 1/4W J	1	K0,K1,K2
	R23	RK73EB2E471J	MG RESISTOR	470Ω 1/4W J	1	E1,M1
	R24	RK73FB2B122J	MG RESISTOR	1.2kΩ 1/8W J	1	K0,K1,E1,M1,K2
	R25	RK73FB2B911J	MG RESISTOR	910Ω 1/8W J	1	K0,K1,K2
	R25	RK73FB2B102J	MG RESISTOR	1kΩ 1/8W J	1	E1,M1
	R27	RK73FB2B331J	MG RESISTOR	330Ω 1/8W J	1	K0,K1,E1,M1,K2
	R40	RK73HB1J101J	MG RESISTOR	100Ω 1/16W J	1	K0,K1,E1,M1,K2
	R41	RK73HB1J101J	MG RESISTOR	100Ω 1/16W J	1	K0,K1,E1,M1,K2
	R42	RK73HB1J101J	MG RESISTOR	100Ω 1/16W J	1	K0,K1,E1,M1,K2
	R43	RK73HB1J101J	MG RESISTOR	100Ω 1/16W J	1	K0,K1,E1,M1,K2
	R44	RK73HB1J101J	MG RESISTOR	100Ω 1/16W J	1	K0,K1,E1,M1,K2
	R45	RK73HB1J101J	MG RESISTOR	100Ω 1/16W J	1	K0,K1,E1,M1,K2
	R46	RK73HB1J101J	MG RESISTOR	100Ω 1/16W J	1	K0,K1,E1,M1,K2
	R47	RK73HB1J101J	MG RESISTOR	100Ω 1/16W J	1	K0,K1,E1,M1,K2
	R48	RK73HB1J101J	MG RESISTOR	100Ω 1/16W J	1	K0,K1,E1,M1,K2
	R49	RK73HB1J101J	MG RESISTOR	100Ω 1/16W J	1	K0,K1,E1,M1,K2
	R50	RK73HB1J101J	MG RESISTOR	100Ω 1/16W J	1	K0,K1,E1,M1,K2
	R51	RK73HB1J101J	MG RESISTOR	100Ω 1/16W J	1	K0,K1,E1,M1,K2
	R52	RK73HB1J682J	MG RESISTOR	6.8kΩ 1/16W J	1	K0,K1,E1,M1,K2
	R53	RK73HB1J472J	MG RESISTOR	4.7kΩ 1/16W J	1	K0,K1,E1,M1,K2
	R60	RK73HB1J101J	MG RESISTOR	100Ω 1/16W J	1	K0,K1,E1,M1,K2
	R61	RK73HB1J101J	MG RESISTOR	100Ω 1/16W J	1	K0,K1,E1,M1,K2
	R62	RK73HB1J4R7J	MG RESISTOR	4.7Ω 1/16W J	1	K0,K1,E1,M1,K2
	R80	RK73EB2E221J	MG RESISTOR	220Ω 1/4W J	1	K0,K1,E1,M1,K2
	CN2	E5K-0007-00	R.PLUG		1	K0,K1,E1,M1,K2
	FL80	L7K-0038-00	FILTER		1	K0,K1,K2
	FL80	L3D-0063-00	CHOKO COIL		1	E1,M1
	J60	E1B-0037-00	3.5D PHONE JACK		1	K0,K1,E1,M1,K2
	J80	E5J-0069-00	USB TERMINAL		1	K0,K1,E1,M1,K2
	S20	T9K-0007-00	ROTARY ENCODER		1	K0,K1,E1,M1,K2
	VA80	F0K-0420-00	SURGE ABSORBER		1	E1,M1
	VA81	F0K-0420-00	SURGE ABSORBER		1	E1,M1
	VA82	F0K-0420-00	SURGE ABSORBER		1	K0,K1,E1,M1,K2

MODEL	MARK	MODEL	MARK	MODEL	MARK	MODEL	MARK
KDC-360UI	M3	KDC-BT282U	K0	KDC-BT370U	K1	KDC-BT460U	E1
KDC-BT560U	M1	KDC-BT660U	M2	KDC-MP382BT	K2	KMR-D382BT	K3

Safe	Symbol No.	Parts No.	Parts Name	Description	QTY	Local
------	------------	-----------	------------	-------------	-----	-------

SWITCH PWB ASSY (XJ6-162x-0x) <XJ6>

IC1	BU97550KV-M	MOS IC			1	M3,M2,K3
IC3	AS431AN-G1	ANALOG IC			1	M3,M2,K3
IC90	SIRD630B6T	IR DETECT UNIT			1	M3,M2
Q50	KTC4075EP/Y/	TRANSISTOR			1	M3,M2,K3
Q51	KTC4075EP/Y/	TRANSISTOR			1	M3,M2,K3
Q52	KTC4075EP/Y/	TRANSISTOR			1	M3,M2,K3
Q53	KTC4075EP/Y/	TRANSISTOR			1	M3,M2,K3
Q54	KTC4075EP/Y/	TRANSISTOR			1	M3,M2,K3
Q55	KTC4075EP/Y/	TRANSISTOR			1	M3,M2,K3
Q90	KRA302E-P	DIGI TRANSISTOR			1	M3,M2
Q91	KRC402E-P	DIGI TRANSISTOR			1	M3,M2
D2	SM5818PL	SCHOTTKY DIODE			1	M3,M2,K3
D3	SM5818PL	SCHOTTKY DIODE			1	M3,M2,K3
D20	QSMH-C199	LED			1	M3,M2,K3
D21	ASMTYTD9ZDA02	LED			1	M3,M2,K3
D22	ASMTYTD9ZDA02	LED			1	M3,M2,K3
D23	ASMTYTD9ZDA02	LED			1	M3,M2,K3
D24	ASMTYTD9ZDA02	LED			1	M3,M2,K3
D49	ASMTYTD9ZDA02	LED			1	M3,M2,K3
C1	CK73GXR1A475K	C CAPACITOR	4.7uF 10V K		1	M3,M2,K3

C5	CK73GXR1A475K	C CAPACITOR	4.7uF 10V K		1	M3,M2,K3
C6	CK73FXR1C106K	C CAPACITOR	10uF 16V K		1	M3,M2,K3
C7	CK73JXR1H472K	C CAPACITOR	4700pF 50V K		1	M3,M2,K3
C60	CK73JXR1H102K	C CAPACITOR	1000pF 50V K		1	M3,M2,K3
C61	CK73JXR1H102K	C CAPACITOR	1000pF 50V K		1	M3,M2,K3
C82	CK73FXR1E106K	C CAPACITOR	10uF 25V K		1	M3,M2,K3
C83	CK73JXR1H471K	C CAPACITOR	470pF 50V K		1	M3,M2,K3
C84	CK73JXR1H472K	C CAPACITOR	4700pF 50V K		1	M3,M2,K3
C85	CK73JXR1H471K	C CAPACITOR	470pF 50V K		1	M3,M2,K3
C86	CK73JXR1H472K	C CAPACITOR	4700pF 50V K		1	M3,M2,K3
C91	CK73HXR1A105K	C CAPACITOR	1uF 10V K		1	M3,M2
R1	RK73HH1J473D	MG RESISTOR	47kΩ 1/16W D		1	M3,M2,K3
R2	RK73HH1J473D	MG RESISTOR	47kΩ 1/16W D		1	M3,M2,K3
R3	RK73HB1J471J	MG RESISTOR	470Ω 1/16W J		1	M3,M2,K3
R4	RK73HB1J101J	MG RESISTOR	100Ω 1/16W J		1	M3,M2,K3
R6	RK73EB2E151J	MG RESISTOR	150Ω 1/4W J		1	M3,M2,K3
R8	RK73HB1J473J	MG RESISTOR	47kΩ 1/16W J		1	M3,M2,K3
R10	RK73HB1J152J	MG RESISTOR	1.5kΩ 1/16W J		1	M3,M2,K3
R14	RK73HB1J124J	MG RESISTOR	120kΩ 1/16W J		1	M3,M2,K3
R21	RK73EB2E391J	MG RESISTOR	390Ω 1/4W J		1	M3,M2,K3

R22	RK73EB2E471J	MG RESISTOR	470Ω 1/4W J		1	M3,M2,K3
R23	RK73EB2E331J	MG RESISTOR	330Ω 1/4W J		1	M3,M2,K3
R25	RK73FB2B561J	MG RESISTOR	560Ω 1/8W J		1	M3,M2,K3
R26	RK73FB2B681J	MG RESISTOR	680Ω 1/8W J		1	M3,M2,K3
R27	RK73FB2B471J	MG RESISTOR	470Ω 1/8W J		1	M3,M2,K3
R33	RK73EB2E511J	MG RESISTOR	510Ω 1/4W J		1	M3,M2,K3
R34	RK73EB2E821J	MG RESISTOR	820Ω 1/4W J		1	M3,M2,K3
R35	RK73EB2E561J	MG RESISTOR	560Ω 1/4W J		1	M3,M2,K3
R40	RK73HB1J101J	MG RESISTOR	100Ω 1/16W J		1	M3,M2,K3
R41	RK73HB1J101J	MG RESISTOR	100Ω 1/16W J		1	M3,M2,K3
R42	RK73HB1J101J	MG RESISTOR	100Ω 1/16W J		1	M3,M2,K3
R43	RK73HB1J101J	MG RESISTOR	100Ω 1/16W J		1	M3,M2,K3
R44	RK73HB1J101J	MG RESISTOR	100Ω 1/16W J		1	M3,M2,K3
R45	RK73HB1J101J	MG RESISTOR	100Ω 1/16W J		1	M3,M2,K3
R46	RK73HB1J101J	MG RESISTOR	100Ω 1/16W J		1	M3,M2,K3
R47	RK73HB1J101J	MG RESISTOR	100Ω 1/16W J		1	M3,M2,K3
R48	RK73HB1J101J	MG RESISTOR	100Ω 1/16W J		1	M3,M2,K3
R49	RK73HB1J101J	MG RESISTOR	100Ω 1/16W J		1	M3,M2,K3
R50	RK73HB1J101J	MG RESISTOR	100Ω 1/16W J		1	M3,M2,K3
R51	RK73HB1J101J	MG RESISTOR	100Ω 1/16W J		1	M3,M2,K3

R52	RK73HB1J682J	MG RESISTOR	6.8kΩ 1/16W J		1	M3,M2,K3
R53	RK73HB1J682J	MG RESISTOR	6.8kΩ 1/16W J		1	M3,M2,K3
R54	RK73HB1J682J	MG RESISTOR	6.8kΩ 1/16W J		1	M3,M2,K3
R55	RK73HB1J682J	MG RESISTOR	6.8kΩ 1/16W J		1	M3,M2,K3
R56	RK73HB1J682J	MG RESISTOR	6.8kΩ 1/16W J		1	M3,M2,K3
R57	RK73HB1J682J	MG RESISTOR	6.8kΩ 1/16W J		1	M3,M2,K3
R60	RK73HB1J101J	MG RESISTOR	100Ω 1/16W J		1	M3,M2,K3
R61	RK73HB1J101J	MG RESISTOR	100Ω 1/16W J		1	M3,M2,K3
R62	RK73HB1J4R7J	MG RESISTOR	4.7Ω 1/16W J		1	M3,M2,K3
R80	RK73EB2E221J	MG RESISTOR	220Ω 1/4W J		1	M3,M2,K3
CN2	E5K-0007-00	R.PLUG			1	M3,M2,K3
FL80	L7K-0038-00	FILTER			1	M3,M2,K3
J60	E1B-0037-00	3.5D PHONE JACK			1	M3,M2,K3
J80	E5J-0069-00	USB TERMINAL			1	M3,M2,K3
S20	T9K-0007-00	ROTARY ENCODER			1	M3,M2,K3
VA82	FOK-0420-00	SURGE ABSORBER			1	M3,M2,K3

CD MECHA PWB ASSY (XJD-018W-00) <XJD>

IC1	MN6627553APA	ANALOG IC			1	
IC2	BD8266EFV-M	ANALOG IC			1	
Q1	2SB1197K/QR/	TRANSISTOR			1	
C1	CK73JXR1A104K	C CAPACITOR	0.1uF 10V K		1	
C3	CK73JXR1A104K	C CAPACITOR	0.1uF 10V K		1	
C4	CK73JXR1A104K	C CAPACITOR	0.1uF 10V K		1	
C7	CK73HXR1A334K	C CAPACITOR	0.33uF 10V K		1	
C8	CC73JCH1E102J	C CAPACITOR	1000pF 25V J		1	
C9	CK73JXR1A104K	C CAPACITOR	0.1uF 10V K		1	
C10	CC73JCH1E102J	C CAPACITOR	1000pF 25V J		1	
C11	CK73JXR1A104K	C CAPACITOR	0.1uF 10V K		1	
C12	CK73JXR1A153K	C CAPACITOR	0.015uF 10V K		1	
C13	CC73JCH1E681J	C CAPACITOR	680pF 25V J		1	

MODEL	MARK	MODEL	MARK	MODEL	MARK	MODEL	MARK
KDC-360UI	M3	KDC-BT282U	K0	KDC-BT370U	K1	KDC-BT460U	E1
KDC-BT560U	M1	KDC-BT660U	M2	KDC-MP382BT	K2	KMR-D382BT	K3

Safe	Symbol No.	Parts No.	Parts Name	Description	QTY	Local
C14		CK73JXR1A104K	C CAPACITOR	0.1uF 10V K	1	
C15		CK73GXR0J475K	C CAPACITOR	4.7uF 6.3V K	1	
C16		CK73HXR0J105K	C CAPACITOR	1uF 6.3V K	1	
C17		CK73HXR1A334K	C CAPACITOR	0.33uF 10V K	1	
C18		CK73JXR1H332K	C CAPACITOR	3300pF 50V K	1	
C19		CK73JXR1E223K	C CAPACITOR	0.022uF 25V K	1	
C20		CK73GXR1A106K	C CAPACITOR	10uF 10V K	1	
C21		CK73HXR1A334K	C CAPACITOR	0.33uF 10V K	1	
C26		CK73GXR1A106K	C CAPACITOR	10uF 10V K	1	
C27		CK73JXR1A104K	C CAPACITOR	0.1uF 10V K	1	
C28		CK73JXR1A104K	C CAPACITOR	0.1uF 10V K	1	
C50		CK73JXR1H682K	C CAPACITOR	6800pF 50V K	1	
C51		CK73JXR1H682K	C CAPACITOR	6800pF 50V K	1	
C52		CK73JXR1H103K	C CAPACITOR	0.01uF 50V K	1	
C53		CK73JXR1H103K	C CAPACITOR	0.01uF 50V K	1	
C55		CK73HXR1A154K	C CAPACITOR	0.15uF 10V K	1	
C60		CC73JCH1E102J	C CAPACITOR	1000pF 25V J	1	
C61		CC73JCH1E102J	C CAPACITOR	1000pF 25V J	1	
C62		CK73GXR1A106K	C CAPACITOR	10uF 10V K	1	
C82		CC73JCH1E681J	C CAPACITOR	680pF 25V J	1	
C83		CC73JCH1H120J	C CAPACITOR	12pF 50V J	1	
C84		CC73JCH1H120J	C CAPACITOR	12pF 50V J	1	
C85		CK73JXR1A104K	C CAPACITOR	0.1uF 10V K	1	
C244		CK73HXR1A154K	C CAPACITOR	0.15uF 10V K	1	
R3		RK73HB1J821J	MG RESISTOR	820Ω 1/16W J	1	
R4		RK73HB1J105J	MG RESISTOR	1MΩ 1/16W J	1	
R7		RK73HB1J272J	MG RESISTOR	2.7kΩ 1/16W J	1	
R8		RK73HB1J821J	MG RESISTOR	820Ω 1/16W J	1	
R9		RK73HB1J823J	MG RESISTOR	82kΩ 1/16W J	1	
R10		RK73FB2B4R7J	MG RESISTOR	4.7Ω 1/8W J	1	
R11		RK73HB1J822J	MG RESISTOR	8.2kΩ 1/16W J	1	
R12		RK73HB1J105J	MG RESISTOR	1MΩ 1/16W J	1	
R17		RK73HB1J123J	MG RESISTOR	12kΩ 1/16W J	1	
R18		RK73HB1J822J	MG RESISTOR	8.2kΩ 1/16W J	1	
R20		RK73HB1J103J	MG RESISTOR	10kΩ 1/16W J	1	
R21		RK73HB1J822J	MG RESISTOR	8.2kΩ 1/16W J	1	
R23		RK73HB1J183J	MG RESISTOR	18kΩ 1/16W J	1	
R24		RK73HB1J272J	MG RESISTOR	2.7kΩ 1/16W J	1	
R26		RK73HB1J223J	MG RESISTOR	22kΩ 1/16W J	1	
R28		RK73HB1J114J	MG RESISTOR	110kΩ 1/16W J	1	
R31		RK73HB1J821J	MG RESISTOR	820Ω 1/16W J	1	
R32		RK73HB1J821J	MG RESISTOR	820Ω 1/16W J	1	
R33		RK73HB1J131J	MG RESISTOR	130Ω 1/16W J	1	
R37		RK73HB1J103J	MG RESISTOR	10kΩ 1/16W J	1	
R44		RK73HB1J101J	MG RESISTOR	100Ω 1/16W J	1	
R47		RK73HB1J101J	MG RESISTOR	100Ω 1/16W J	1	
R48		RK73HB1J101J	MG RESISTOR	100Ω 1/16W J	1	
R49		RK73HB1J101J	MG RESISTOR	100Ω 1/16W J	1	
R50		RK73HB1J101J	MG RESISTOR	100Ω 1/16W J	1	
R51		RK73HB1J101J	MG RESISTOR	100Ω 1/16W J	1	
R52		RK73HB1J562J	MG RESISTOR	5.6kΩ 1/16W J	1	
R53		RK73HB1J562J	MG RESISTOR	5.6kΩ 1/16W J	1	
R54		RK73HB1J562J	MG RESISTOR	5.6kΩ 1/16W J	1	
R305		RK73HB1J101J	MG RESISTOR	100Ω 1/16W J	1	
L1		LB73G0EA-002	CHIP FERRITE		1	
L2		LB73H0AY-004	CHIP FERRITE		1	
L3		LB73H0AY-004	CHIP FERRITE		1	
CN1		EC720AE-1026B	FFC FPC CONNE		1	
CN2		EC720AK-0515A	FFC FPC CONNE		1	
S1		S6J-0010-00	PUSH SWITCH		1	
S2		S6J-0010-00	PUSH SWITCH		1	
S3		S6J-0011-00	PUSH SWITCH		1	
X1		L7J-0005-00	QUARTZ CRYSTAL		1	