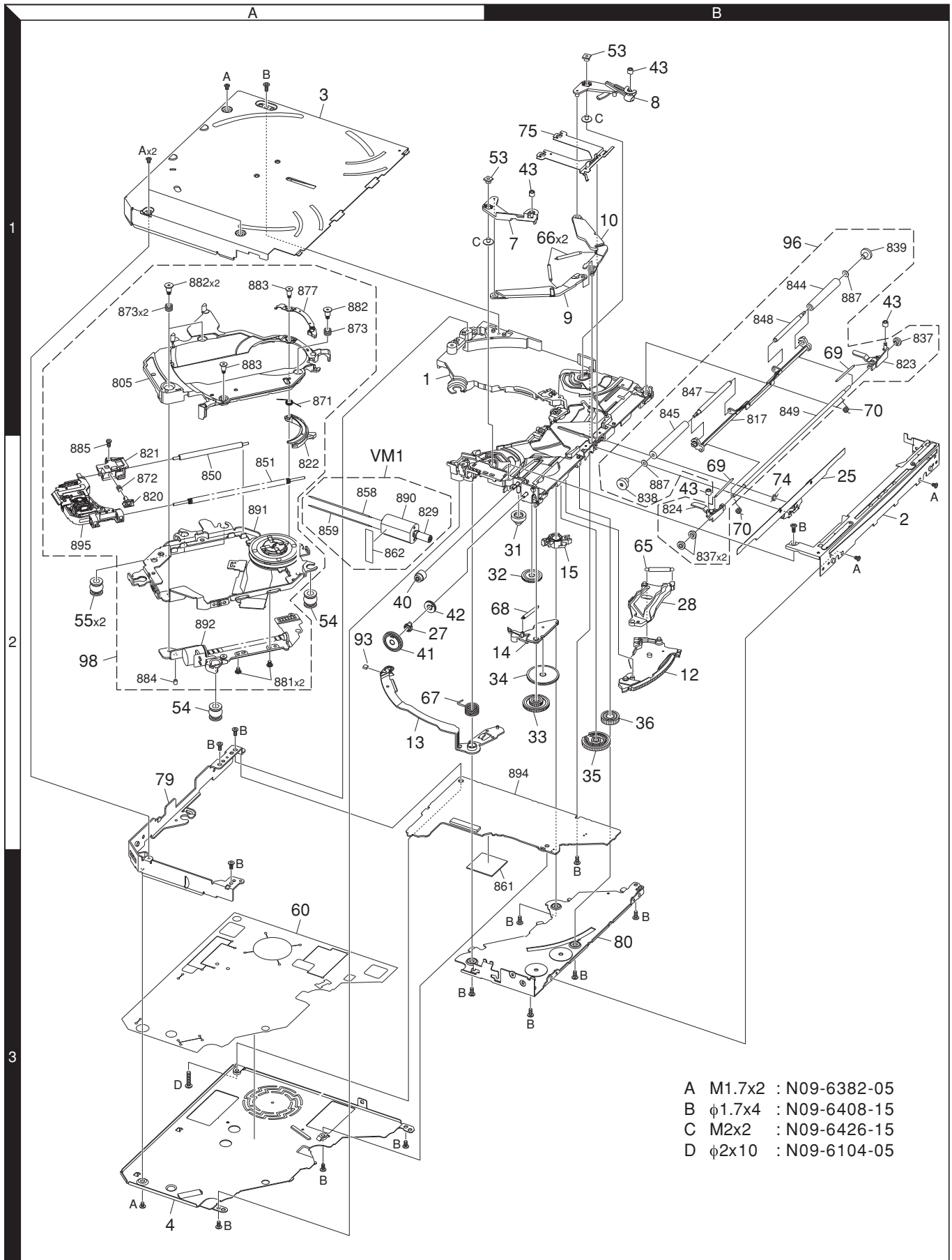


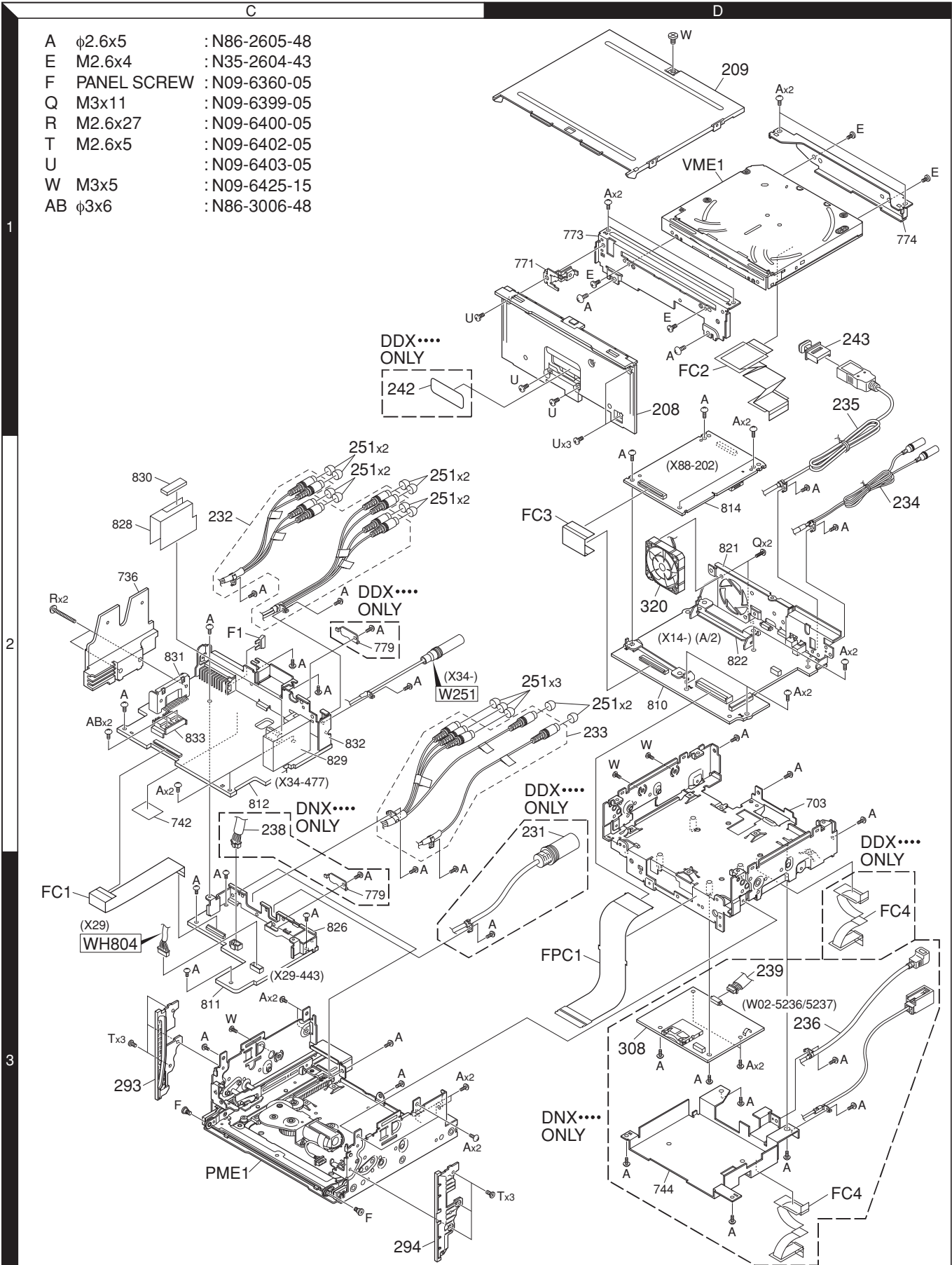
EXPLODED VIEW (DVD MECHANISM)



- A M1.7x2 : N09-6382-05
- B ϕ 1.7x4 : N09-6408-15
- C M2x2 : N09-6426-15
- D ϕ 2x10 : N09-6104-05

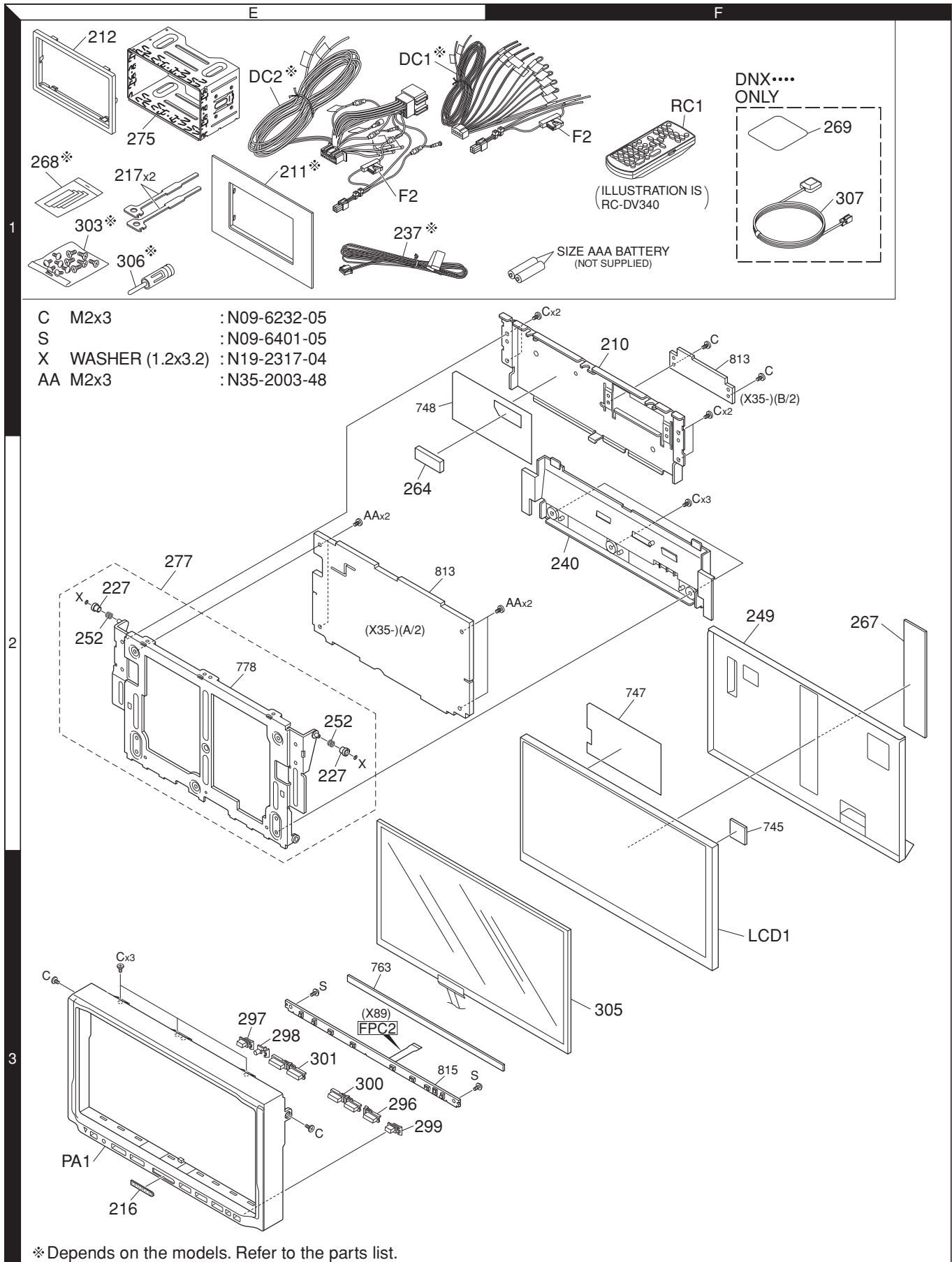
EXPLODED VIEW (UNIT)

- | | | |
|----|-------------|---------------|
| A | φ2.6x5 | : N86-2605-48 |
| E | M2.6x4 | : N35-2604-43 |
| F | PANEL SCREW | : N09-6360-05 |
| Q | M3x11 | : N09-6399-05 |
| R | M2.6x27 | : N09-6400-05 |
| T | M2.6x5 | : N09-6402-05 |
| U | | : N09-6403-05 |
| W | M3x5 | : N09-6425-15 |
| AB | φ3x6 | : N86-3006-48 |



Parts with the exploded numbers larger than 700 are not supplied.

EXPLODED VIEW (PANEL & ACCESSORIES)

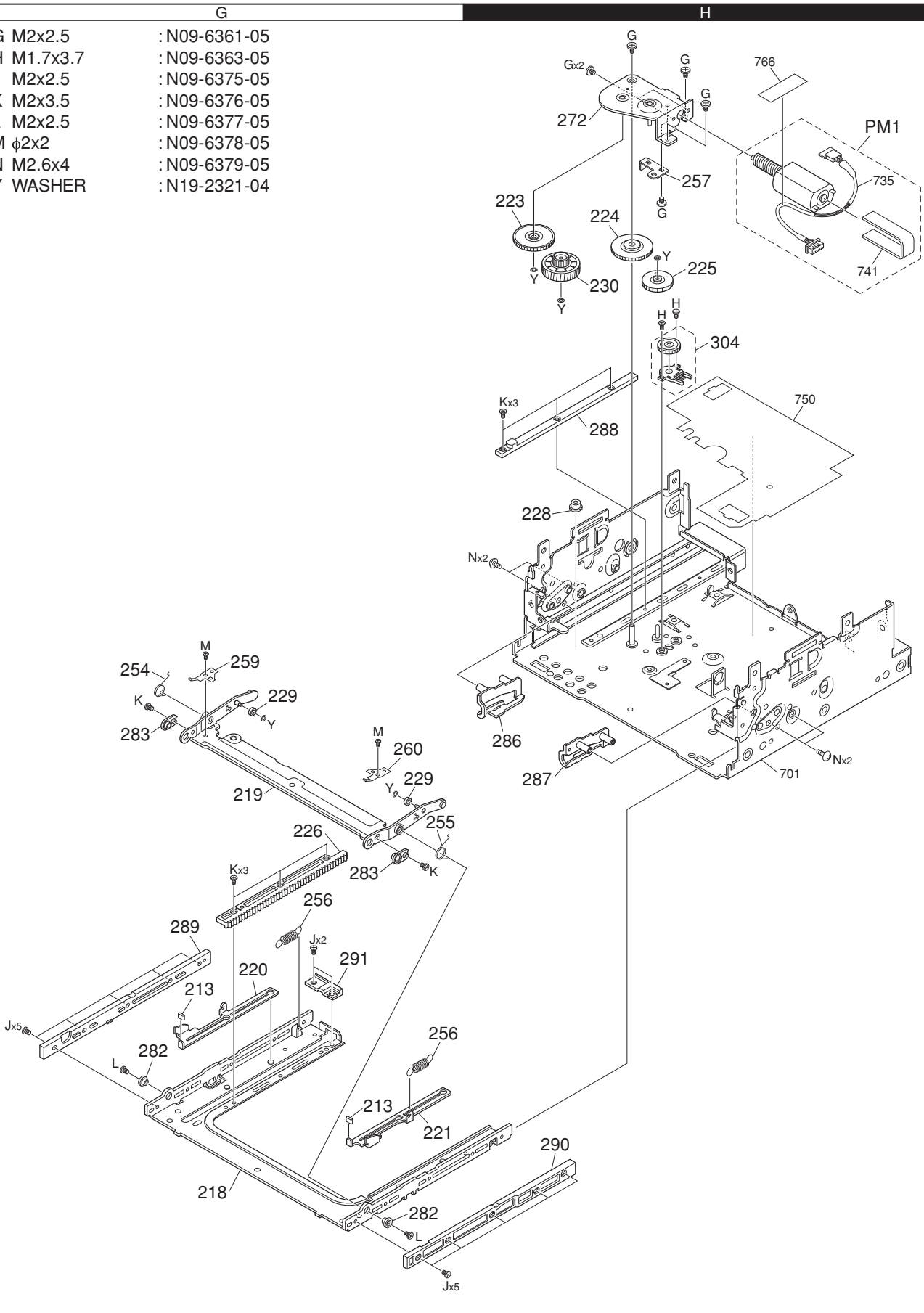


* Depends on the models. Refer to the parts list.

Parts with the exploded numbers larger than 700 are not supplied.

EXPLODED VIEW (DRIVE MECHANISM)

G	M2x2.5	: N09-6361-05
H	M1.7x3.7	: N09-6363-05
J	M2x2.5	: N09-6375-05
K	M2x3.5	: N09-6376-05
L	M2x2.5	: N09-6377-05
M	φ2x2	: N09-6378-05
N	M2.6x4	: N09-6379-05
Y	WASHER	: N19-2321-04



Parts with the exploded numbers larger than 700 are not supplied.

PARTS LIST

* New parts

Parts without **Parts No.** are not supplied.

Les articles non mentionnés dans le **Parts No.** ne sont pas fournis.

Teile ohne **Parts No.** werden nicht geliefert.

Ref. No.	A d	N e w	Parts No.	Description	Desti- nation
DDX7019/7029/7029Y/7039, DNX7100/7200					
208	1D	*	A22-3126-11	SUB PANEL ASSY	E1E2R1
208	1D	*	A22-3126-11	SUB PANEL ASSY	KM1X1
208	1D	*	A22-3128-21	SUB PANEL ASSY	K1E3
209	1D		A52-0878-02	TOP PLATE	
210	1F	*	A46-1842-12	REAR COVER	
PA1	3E	*	A64-4140-01	PANEL ASSY	K
PA1	3E	*	A64-4141-01	PANEL ASSY	E1E2
PA1	3E	*	A64-4142-01	PANEL ASSY	M1
PA1	3E	*	A64-4143-01	PANEL ASSY	R1X1
PA1	3E	*	A64-4144-11	PANEL ASSY	K1
PA1	3E	*	A64-4145-11	PANEL ASSY	E3
PME1	3C	*	A10-5300-31	CHASSIS ASSY	
RC1	1F	*	A70-2082-15	REMOTE CONTROLLER AS (RC-DV330)	E3
RC1	1F	*	A70-2082-15	REMOTE CONTROLLER AS (RC-DV330)	M1X1K1
RC1	1F	*	A70-2083-15	REMOTE CONTROLLER AS (RC-DV340)	E2
RC1	1F	*	A70-2083-15	REMOTE CONTROLLER AS (RC-DV340)	KR1E1
-			B46-0612-14	ID CARD	E1E2M1
-			B46-0612-14	ID CARD	X1E3
-		*	B54-4522-00	INSTALLATION MANUAL (ENG.SPA.)	KR1
-		*	B54-4523-00	INSTALLATION MANUAL (FRE.)	K
-		*	B54-4524-00	INSTALLATION MANUAL (POR.)	R1
-		*	B54-4525-00	INSTALLATION MANUAL (ENG.)	E1E2
-		*	B54-4526-00	INSTALLATION MANU(FRE.GER.DUT)	E1
-		*	B54-4527-00	INSTALLATION MANUAL (ENG.)	M1X1
-		*	B54-4528-00	INSTALLATION MANUAL (T-CHI.KOR)	M1
-		*	B54-4530-00	INSTALLATION MANU (ENG.FRE.SPA)	K1
-		*	B54-4531-00	INSTALLATION MANU (ENG.FRE.GER)	E3
-		*	B59-1880-00	SUB-INSTRUCTION MANUAL	
-		*	B64-3589-00	INSTRUCTION MANUAL (ENG.)	KR1
-		*	B64-3590-00	INSTRUCTION MANUAL (FRE.)	K
-		*	B64-3591-00	INSTRUCTION MANUAL (SPA.)	KR1
-		*	B64-3592-00	INSTRUCTION MANUAL (POR.)	R1
-		*	B64-3593-00	INSTRUCTION MANUAL (ENG.)	E1E2
-		*	B64-3594-00	INSTRUCTION MANUAL (FRE.)	E1
-		*	B64-3595-00	INSTRUCTION MANUAL (GER.)	E1
-		*	B64-3596-00	INSTRUCTION MANUAL (DUT.)	E1
-		*	B64-3597-00	INSTRUCTION MANUAL (ITA.)	E1
-		*	B64-3598-00	INSTRUCTION MANUAL (SPA.)	E1
-		*	B64-3599-00	INSTRUCTION MANUAL (POR.)	E1
-		*	B64-3600-00	INSTRUCTION MANUAL (ENG.)	M1X1
-		*	B64-3601-00	INSTRUCTION MANUAL (T-CHI.)	M1
-		*	B64-3602-00	INSTRUCTION MANUAL (KOR.)	M1
-		*	B64-3604-00	INSTRUCTION MANUAL (NAVI-K)	K1
-		*	B64-3605-00	INSTRUCTION MANUAL (NAVI-E)	E3
-		*	B64-3644-00	INSTRUCTION MANUAL (ENG.)	K1
-		*	B64-3645-00	INSTRUCTION MANUAL (FRE.)	K1
-		*	B64-3646-00	INSTRUCTION MANUAL (SPA.)	K1
-		*	B64-3647-00	INSTRUCTION MANUAL (ENG.)	E3
-		*	B64-3648-00	INSTRUCTION MANUAL (FRE.)	E3
-		*	B64-3649-00	INSTRUCTION MANUAL (GER.)	E3
-		*	B64-3650-00	INSTRUCTION MANUAL (DUT.)	E3
-		*	B64-3651-00	INSTRUCTION MANUAL (ITA.)	E3

Ref. No.	A d	N e w	Parts No.	Description	Desti- nation
-		*	B64-3652-00	INSTRUCTION MANUAL (SPA.)	E3
-		*	B64-3653-00	INSTRUCTION MANUAL (POR.)	E3
211	1E		B07-3172-12	ESCUTCHEON	KR1M1
211	1E		B07-3172-12	ESCUTCHEON	X1K1
212	1E		B07-3173-11	ESCUTCHEON	
213	3G		B09-0541-04	CAP	
216	3E		B43-1518-04	BADGE	
LCD1	3F		B38-1186-05	LCD	
217	1E		D10-4674-04	LEVER	
218	3G		D10-4895-12	SLIDER ASSY	
219	2G		D10-4897-13	ARM ASSY	
220	3G		D10-4899-03	LEVER	
221	3G		D10-4900-03	LEVER	
223	1H		D13-2394-04	GEAR	
224	1H		D13-2395-04	GEAR	
225	1H		D13-2396-04	GEAR	
226	3G		D13-2397-03	RACK (GEAR)	
227	2E		D14-1009-04	ROLLER	
228	2H		D14-1010-04	ROLLER	
229	2G		D14-1011-14	ROLLER	
230	1H		D19-0653-23	CLUTCH ASSY	
231	2D	*	E30-6695-15	CORD WITH PLUG	E1E2R1
231	2D	*	E30-6695-15	CORD WITH PLUG	KM1X1
232	2C	*	E30-6685-05	CORD WITH PINPLUG	
233	2C	*	E30-6686-15	CORD WITH PINPLUG	
234	2D	*	E30-6689-05	CORD WITH PLUG	
235	2D	*	E30-6690-05	CORD WITH PLUG	
236	3D	*	E30-6692-05	CORD WITH PLUG	K1E3
237	1F	*	E30-6693-05	CORD WITH PLUG	E3
237	1F	*	E30-6693-05	CORD WITH PLUG	M1X1K1
238	2C	*	E39-0904-15	WIRING HARNESS	K1E3
239	3D	*	E39-0905-05	WIRING HARNESS	K1E3
DC1	1F	*	E30-6677-05	DC CORD	KR1M1
DC1	1F	*	E30-6677-05	DC CORD	X1K1
DC2	1F	*	E30-6678-05	DC CORD	E1E2E3
FC1	3C	*	E39-0909-05	FLAT CABLE	
FC2	2D	*	E39-0910-05	FLAT CABLE	
FC3	3D	*	E39-0911-05	FLAT CABLE	
FC4	3D	*	E39-0912-05	FLAT CABLE	E1E2R1
FC4	3D	*	E39-0912-05	FLAT CABLE	KM1X1
FC4	3D	*	E39-0920-05	FLAT CABLE	K1E3
240	2F	*	F07-1186-02	COVER	
242	2D	*	F09-2881-04	SHEET	E1E2R1
242	2D	*	F09-2881-04	SHEET	KM1X1
243	2D		F09-2890-04	CAP	
249	2F	*	F20-2364-23	INSULATING SHEET	
251	2C		F29-0049-05	INSULATING COVER	
F1	2C		F52-0023-05	FUSE (MINI BLADE TYPE) 10A	
F2	1F		F52-0004-05	FUSE (MINI BLADE TYPE) 5A	
252	2E		G01-3284-04	COMPRESSION SPRING	
254	2G		G01-3288-04	TORSION COIL SPRING	
255	2G		G01-3289-04	TORSION COIL SPRING	
256	3G		G01-3290-04	EXTENSION SPRING	
257	1H		G02-1539-04	FLAT SPRING	

K : DDX7019 K1 : DNX7100 (North America)
E1 : DDX7029 E2 : DDX7029Y E3 : DNX7200 (Europe)
X1 : DDX7039 (Australia) R1 : DDX7039 (Latin America)
M1 : DDX7039 (Other Areas)

△ Indicates safety critical components.

PARTS LIST

VIDEO CONTROL UNIT (X14-985x-xx)

Ref. No.	Add	New	Parts No.	Description	Destination
C122,123			CK73GB1H103K	CHIP C 0.010UF K	
C124			C93-1367-05	CHIP C 10UF K	
C128,129			CK73GB1H102K	CHIP C 1000PF K	
C130		*	CE32AV0J221M	CHIP EL 220UF 6.3WV	
C131-133			CK73GB1H103K	CHIP C 0.010UF K	
C134			C93-1367-05	CHIP C 10UF K	
C136,137			CK73GB1H102K	CHIP C 1000PF K	
C140		*	CE32AV1A121M	CHIP EL 120UF 10WV	
C141			CK73GB1H103K	CHIP C 0.010UF K	
C142			CK73GB1H473K	CHIP C 0.047UF K	
C143			CK73GB1H102K	CHIP C 1000PF K	
C145			CC73GCH1H221J	CHIP C 220PF J	
C146			CK73GB1H102K	CHIP C 1000PF K	
C147			CK73GB1H103K	CHIP C 0.010UF K	
C148			CC73GCH1H101J	CHIP C 100PF J	
C149			CC73GCH1H470J	CHIP C 47PF J	
C150			CK73GB1H153K	CHIP C 0.015UF K	
C151			CC73GCH1H470J	CHIP C 47PF J	
C152			CK73GB1H223K	CHIP C 0.022UF K	
C153			CK73GB1H102K	CHIP C 1000PF K	
C155			CC73GCH1H221J	CHIP C 220PF J	
C156,157			CK73GB1H104K	CHIP C 0.10UF K	
C158			CK73FB0J106K	CHIP C 10UF K	
C159			CK73GB1H104K	CHIP C 0.10UF K	
C160			CK73EB1E225K	CHIP C 2.2UF K	
C161,162			CK73GB1H104K	CHIP C 0.10UF K	
C163,164			CK73GB1H103K	CHIP C 0.010UF K	
C165			C93-1367-05	CHIP C 10UF K	
C166,167			CE32BM1E470M	CHIP EL 47UF 25WV	
C168			CK73GB1H103K	CHIP C 0.010UF K	
C169,170			CK73GB1H102K	CHIP C 1000PF K	
C171		*	CE32AV0J221M	CHIP EL 220UF 6.3WV	
C172-174			CK73GB1H103K	CHIP C 0.010UF K	
C175			C93-1367-05	CHIP C 10UF K	
C176,177			CE32BM1E470M	CHIP EL 47UF 25WV	
C178			CK73GB1H104K	CHIP C 0.10UF K	
C179,180			CK73GB1H102K	CHIP C 1000PF K	
C181		*	CE32AV0G331M	CHIP EL 330UF 4.0WV	
C182			CK73GB1H103K	CHIP C 0.010UF K	
C183,184			CK73GB1H102K	CHIP C 1000PF K	
C185			CK73GB1H103K	CHIP C 0.010UF K	
C186			CK73GB1H104K	CHIP C 0.10UF K	
C187			CK73GB1H103K	CHIP C 0.010UF K	
C188-201			CK73GB1H104K	CHIP C 0.10UF K	
C202			CK73GB1H103K	CHIP C 0.010UF K	
C203			CK73GB1H104K	CHIP C 0.10UF K	
C204			CK73FB0J475K	CHIP C 4.7UF K	
C205			CK73GB1H104K	CHIP C 0.10UF K	
C206			CC73GCH1H220J	CHIP C 22PF J	
C207			CC73GCH1H180J	CHIP C 18PF J	
C208,209			CK73GB1H104K	CHIP C 0.10UF K	
C210			CK73GB1H103K	CHIP C 0.010UF K	
C212			CK73FB0J106K	CHIP C 10UF K	
C213			CK73GB1H221K	CHIP C 220PF K	
C214			CK73GB1H103K	CHIP C 0.010UF K	

Ref. No.	Add	New	Parts No.	Description	Destination
C215-219			CK73GB1H104K	CHIP C 0.10UF K	
C260			CK73GB1H102K	CHIP C 1000PF K	
C301			CK73GB1A105K	CHIP C 1.0UF K	
C302		*	CE32AV0J121M	CHIP EL 120UF 6.3WV	
C303			CK73GB1H104K	CHIP C 0.10UF K	
C304-309			CK73GB1H103K	CHIP C 0.010UF K	
C310			CC73GCH1H821J	CHIP C 820PF J	
C311			CK73GB1A105K	CHIP C 1.0UF K	
C312			CK73EB1A106K	CHIP C 10UF K	
C313			CK73GB1A105K	CHIP C 1.0UF K	
C314			CK73GB1H682K	CHIP C 6800PF K	
C316,317			CK73GB1H104K	CHIP C 0.10UF K	
C318			CK73GB1H103K	CHIP C 0.010UF K	
C319			CC73GCH1H050C	CHIP C 5.0PF C	
C320			CK73GB1A474K	CHIP C 0.47UF K	
C321			CK73GB1H103K	CHIP C 0.010UF K	
C322			CC73GCH1H080D	CHIP C 8.0PF D	E1E2M1 X1E3
C322			CC73GCH1H080D	CHIP C 8.0PF D	
C323		*	CE32AV0J121M	CHIP EL 120UF 6.3WV	
C324			CK73GB1H104K	CHIP C 0.10UF K	
C325			C93-1403-05	CHIP C 22UF M	
C326			CE32BJ1C101M	CHIP EL 100UF 16WV	
C327,328			CK73GB1H104K	CHIP C 0.10UF K	
C329			CK73GB1H102K	CHIP C 1000PF K	
C330,331			CK73GB1H103K	CHIP C 0.010UF K	
C332			CC73GCH1H390J	CHIP C 39PF J	
C333			CK73GB1H103K	CHIP C 0.010UF K	
C334			CK73EB1A106K	CHIP C 10UF K	
C335			CK73GB1H103K	CHIP C 0.010UF K	
C339			CE32BJ1C220M	CHIP EL 22UF 16WV	
C340-342			CK73FB0J106K	CHIP C 10UF K	
C343-345			CK73GB1H102K	CHIP C 1000PF K	
C346			CK73GB1H103K	CHIP C 0.010UF K	
C347			CC73GCH1H101J	CHIP C 100PF J	
C359			CK73GB1H104K	CHIP C 0.10UF K	
C361			CK73GB1H104K	CHIP C 0.10UF K	
C362			CK73GB1H103K	CHIP C 0.010UF K	
C363			CK73GB1H104K	CHIP C 0.10UF K	
C364			CK73GB1H103K	CHIP C 0.010UF K	
C400-403			CK73GB1A474K	CHIP C 0.47UF K	
C404			CK73GB1H103K	CHIP C 0.010UF K	
C405			CE32BJ1C470M	CHIP EL 47UF 16WV	
C406			CK73GB1H104K	CHIP C 0.10UF K	
C407			CK73GB1H103K	CHIP C 0.010UF K	
C408-413			CK73GB1A105K	CHIP C 1.0UF K	
C414			CK73GB1H103K	CHIP C 0.010UF K	
C415-420			CK73GB1A105K	CHIP C 1.0UF K	
C421			CK73GB1H103K	CHIP C 0.010UF K	
C422-426			CK73GB1A105K	CHIP C 1.0UF K	
C427			CK73GB1H103K	CHIP C 0.010UF K	
C429,430			CK73GB1A105K	CHIP C 1.0UF K	
C431,432			CK73GB1H103K	CHIP C 0.010UF K	
C433			CK73FB0J106K	CHIP C 10UF K	
C435			CE32BJ1C220M	CHIP EL 22UF 16WV	
C436,437			CK73FB0J106K	CHIP C 10UF K	

K : DDX7019 K1 : DNX7100 (North America)
E1 : DDX7029 E2 : DDX7029Y E3 : DNX7200 (Europe)
X1 : DDX7039 (Australia) R1 : DDX7039 (Latin America)
M1 : DDX7039 (Other Areas)

△ Indicates safety critical components.

PARTS LIST

VIDEO CONTROL UNIT (X14-985x-xx)

Ref. No.	Add	New	Parts No.	Description	Destination	Ref. No.	Add	New	Parts No.	Description	Destination
C451,452			CK73GB1H222K	CHIP C 2200PF K		CP401			RK74GB1J222J	CHIP-COM 2.2K J 1/16W	
C463,464			CK73GB0J475K	CHIP C 4.7UF K		CP402,403			RK74GB1J103J	CHIP-COM 10K J 1/16W	
C465			CK73FB0J106K	CHIP C 10UF K		R1,2	*		RK73EB2E622J	CHIP R 6.2K J 1/4W	
C501-511			CK73GB1H104K	CHIP C 0.10UF K		R3			RK73GB2A153J	CHIP R 15K J 1/10W	
C512,513			CK73FB1A225K	CHIP C 2.2UF K		R4			RK73GB2A912J	CHIP R 9.1K J 1/10W	
C514			CK73GB1H103K	CHIP C 0.010UF K		R5			RK73GB2A473J	CHIP R 47K J 1/10W	
C515			CK73GB1H104K	CHIP C 0.10UF K		R6			RK73GH2A104D	CHIP R 100K D 1/10W	
C516			CC73GCH1H101J	CHIP C 100PF J		R7			RK73GH2A513D	CHIP R 51K D 1/10W	
C518			CK73GB1H103K	CHIP C 0.010UF K		R8			RK73GH2A333D	CHIP R 33K D 1/10W	
C519			CK73GB1H104K	CHIP C 0.10UF K		R9,10			RK73GB2A224J	CHIP R 220K J 1/10W	
C520			CK73GB1H103K	CHIP C 0.010UF K		R11			RK73GH2A113D	CHIP R 11K D 1/10W	
C521			CK73GB1H104K	CHIP C 0.10UF K		R12			RK73GH2A104D	CHIP R 100K D 1/10W	
C522-529			CK73GB1H103K	CHIP C 0.010UF K		R13			RK73GH2A683D	CHIP R 68K D 1/10W	
C530,531			CK73GB1H104K	CHIP C 0.10UF K		R14,15			RK73GH2A333D	CHIP R 330K D 1/10W	
C532			CK73GB1H103K	CHIP C 0.010UF K		R16,17			RK73GB2A224J	CHIP R 220K J 1/10W	
C534,535			CK73GB1H103K	CHIP C 0.010UF K		R18			RK73GB2A100J	CHIP R 10 J 1/10W	
C536-538			CK73FB0J106K	CHIP C 10UF K		R19			RK73GB2A224J	CHIP R 220K J 1/10W	
C539		*	CE32AV0J121M	CHIP EL 120UF 6.3WV		R22			RK73GB2A224J	CHIP R 220K J 1/10W	
CN1			E41-2735-05	PIN ASSY		R24			RK73GB2A303J	CHIP R 30K J 1/10W	
CN301			E41-2608-05	FLAT CABLE CONNECTOR		R25			RK73GB2A224J	CHIP R 220K J 1/10W	
CN401		*	E41-2806-05	PIN ASSY		R26			RK73GB2A202J	CHIP R 2.0K J 1/10W	
CN501			E41-2237-05	FLAT CABLE CONNECTOR		R27,28			RK73GB2A224J	CHIP R 220K J 1/10W	
CN502			E41-2153-05	FLAT CABLE CONNECTOR		R29			RK73GB2A114J	CHIP R 110K J 1/10W	
CN503		*	E41-2766-05	FLAT CABLE CONNECTOR		R34			RK73GB2A823J	CHIP R 82K J 1/10W	
CN504		*	E41-2772-05	PIN ASSY		R35			RK73GB2A103J	CHIP R 10K J 1/10W	
CN505		*	E41-2546-05	PIN ASSY		R36			RK73GB2A224J	CHIP R 220K J 1/10W	
J1		*	E58-1065-05	RECTANGULAR RECEPTACLE	K1E3	R37			RK73GB2A333J	CHIP R 33K J 1/10W	
J501		*	E11-0638-05	PHONE JACK		R38			RK73GB2A224J	CHIP R 220K J 1/10W	
320	2D		F09-2819-15	FAN		R39			RK73GB2A000J	CHIP R 0.0 J 1/10W	
L1		*	L33-2358-05	CHOKE COIL		R40			RK73GB2A153J	CHIP R 15K J 1/10W	
L3		*	L33-2369-05	CHOKE COIL		R41			RK73GB2A272J	CHIP R 2.7K J 1/10W	
L101		*	L33-2369-05	CHOKE COIL		R42			RK73GB2A000J	CHIP R 0.0 J 1/10W	
L102		*	L33-2370-05	CHOKE COIL		R43			RK73GB2A472J	CHIP R 4.7K J 1/10W	
L103		*	L33-2369-05	CHOKE COIL		R44			RK73GB2A561J	CHIP R 560 J 1/10W	
L104,105		*	L33-2370-05	CHOKE COIL		R45			RK73GB2A223J	CHIP R 22K J 1/10W	
L106		*	L33-2417-05	CHOKE COIL		R46			RK73GB2A153J	CHIP R 15K J 1/10W	
L107		*	L33-2369-05	CHOKE COIL		R50			RK73GB2A302J	CHIP R 3.0K J 1/10W	
L108		*	L33-2370-05	CHOKE COIL		R51			RK73GB2A332J	CHIP R 3.3K J 1/10W	
L201			L92-0319-05	CHIP FERRITE		R52			RK73GB2A272J	CHIP R 2.7K J 1/10W	
L301-303			L41-1005-33	SMALL FIXED INDUCTOR (10U)		R53			RK73GB2A393J	CHIP R 39K J 1/10W	
L305			L41-1005-33	SMALL FIXED INDUCTOR (10U)		R54			RK73GB2A113J	CHIP R 11K J 1/10W	
L401,402			L92-0319-05	CHIP FERRITE		R55			RK73GB2A302J	CHIP R 3.0K J 1/10W	
L403			L41-1005-33	SMALL FIXED INDUCTOR (10U)		R56			RK73GB2A332J	CHIP R 3.3K J 1/10W	
L404			L92-0319-05	CHIP FERRITE		R57			RK73GB2A272J	CHIP R 2.7K J 1/10W	
L501		*	L33-2369-05	CHOKE COIL		R58			RK73GB2A393J	CHIP R 39K J 1/10W	
L502			L41-1005-33	SMALL FIXED INDUCTOR (10U)		R59			RK73GB2A113J	CHIP R 11K J 1/10W	
X201			L78-1210-05	RESONATOR (4.95MHZ)		R63			RK73GB2A103J	CHIP R 10K J 1/10W	
X202		*	L77-2917-15	CRYSTAL RESONATOR (32.768KHZ)		R65			RK73GB2A103J	CHIP R 10K J 1/10W	
X301		*	L77-2905-05	CRYSTAL RESONATOR (3.579545MHZ)		R66			RK73GB2A302J	CHIP R 3.0K J 1/10W	
X302			L77-2906-05	CRYSTAL RESONATOR (4.433619MHZ)	E1E2M1	R67			RK73GB2A332J	CHIP R 3.3K J 1/10W	
X302			L77-2906-05	CRYSTAL RESONATOR (4.433619MHZ)	X1E3	R68			RK73GB2A272J	CHIP R 2.7K J 1/10W	
Q	2D		N09-6399-05	MACHINE SCREW (M3X11)		R69			RK73GB2A333J	CHIP R 33K J 1/10W	
						R70			RK73GB2A203J	CHIP R 20K J 1/10W	
						R71,72			RK73GB2A000J	CHIP R 0.0 J 1/10W	
						R73,74			RK73GB2A101J	CHIP R 100 J 1/10W	

K : DDX7019 K1 : DNX7100 (North America)
 E1 : DDX7029 E2 : DDX7029Y E3 : DNX7200 (Europe)
 X1 : DDX7039 (Australia) R1 : DDX7039 (Latin America)
 M1 : DDX7039 (Other Areas)

△ Indicates safety critical components.

PARTS LIST

VIDEO CONTROL UNIT (X14-985x-xx)

Ref. No.	Add	New	Parts No.	Description	Destination
R75			RK73GB2A000J	CHIP R 0.0 J 1/10W	
R76,77			RK73GB2A101J	CHIP R 100 J 1/10W	
R79			RK73GB2A000J	CHIP R 0.0 J 1/10W	
R81-84			RK73GB2A000J	CHIP R 0.0 J 1/10W	
R86			RK73GB2A000J	CHIP R 0.0 J 1/10W	
R95,96			RK73GB2A000J	CHIP R 0.0 J 1/10W	
R102,103			RK73GH2A561D	CHIP R 560 D 1/10W	
R104			RK73GH2A333D	CHIP R 33K D 1/10W	
R105			RK73GH2A622D	CHIP R 6.2K D 1/10W	
R106			RK73GB2A000J	CHIP R 0.0 J 1/10W	
R107			RK73GH2A912D	CHIP R 9.1K D 1/10W	
R108			RK73GB2A103J	CHIP R 10K J 1/10W	
R111			RK73GB2A000J	CHIP R 0.0 J 1/10W	
R112			RK73GB2A333J	CHIP R 33K J 1/10W	
R114			RK73GB2A000J	CHIP R 0.0 J 1/10W	
R115			RK73GB2A683J	CHIP R 68K J 1/10W	
R116			RK73GH2A333D	CHIP R 33K D 1/10W	
R117			RK73GH2A562D	CHIP R 5.6K D 1/10W	
R118			RK73GH2A681D	CHIP R 680 D 1/10W	
R120			RK73EB2E100J	CHIP R 10 J 1/4W	
R121			RK73GB2A220J	CHIP R 22 J 1/10W	
R122-124			RK73GB2A000J	CHIP R 0.0 J 1/10W	
R126			RK73EB2E100J	CHIP R 10 J 1/4W	
R127		*	R92-5158-05	CHIP R 0.022 J 1/4W	
R129			RK73GB2A000J	CHIP R 0.0 J 1/10W	
R130			RK73GB2A220J	CHIP R 22 J 1/10W	
R131			RK73GB2A000J	CHIP R 0.0 J 1/10W	
R132,133			RK73GH2A561D	CHIP R 560 D 1/10W	
R134			RK73EB2E100J	CHIP R 10 J 1/4W	
R136,137		*	R92-5160-05	CHIP R 0.047 J 1/4W	
R138			RK73GB2A000J	CHIP R 0.0 J 1/10W	
R143			RK73GH2A333D	CHIP R 33K D 1/10W	
R144			RK73GH2A103D	CHIP R 10K D 1/10W	
R145			RK73GH2A561D	CHIP R 560 D 1/10W	
R146			RK73GB2A103J	CHIP R 10K J 1/10W	
R149			RK73GB2A000J	CHIP R 0.0 J 1/10W	
R150			RK73GB2A683J	CHIP R 68K J 1/10W	
R152			RK73GB2A000J	CHIP R 0.0 J 1/10W	
R153			RK73GB2A683J	CHIP R 68K J 1/10W	
R154			RK73GH2A333D	CHIP R 33K D 1/10W	
R155			RK73GH2A562D	CHIP R 5.6K D 1/10W	
R156			RK73GH2A681D	CHIP R 680 D 1/10W	
R158			RK73EB2E100J	CHIP R 10 J 1/4W	
R159			RK73GB2A220J	CHIP R 22 J 1/10W	
R160-163			RK73GB2A000J	CHIP R 0.0 J 1/10W	
R164			RK73EB2E100J	CHIP R 10 J 1/4W	
R165,166		*	R92-5158-05	CHIP R 0.022 J 1/4W	
R167			RK73GB2A000J	CHIP R 0.0 J 1/10W	
R168			RK73GB2A220J	CHIP R 22 J 1/10W	
R169-171			RK73GB2A000J	CHIP R 0.0 J 1/10W	
R173			RK73EB2E100J	CHIP R 10 J 1/4W	
R175		*	R92-5159-05	CHIP R 0.033 J 1/4W	
R176			RK73GB2A000J	CHIP R 0.0 J 1/10W	
R178-180			RK73GB2A000J	CHIP R 0.0 J 1/10W	
R201			RK73GB2A473J	CHIP R 47K J 1/10W	

Ref. No.	Add	New	Parts No.	Description	Destination
R202,203			RK73GB2A000J	CHIP R 0.0 J 1/10W	
R204-208			RK73GB2A101J	CHIP R 100 J 1/10W	
R209,210			RK73GB2A472J	CHIP R 4.7K J 1/10W	
R211			RK73GB2A103J	CHIP R 10K J 1/10W	
R212			RK73GB2A332J	CHIP R 3.3K J 1/10W	
R213			RK73GB2A473J	CHIP R 47K J 1/10W	
R214-225			RK73GB2A101J	CHIP R 100 J 1/10W	
R226,227			RK73GB2A472J	CHIP R 4.7K J 1/10W	
R228			RK73GB2A104J	CHIP R 100K J 1/10W	
R229			RK73GB2A473J	CHIP R 47K J 1/10W	
R230			RK73GB2A332J	CHIP R 3.3K J 1/10W	
R231			RK73GB2A473J	CHIP R 47K J 1/10W	
R232-234			RK73GB2A101J	CHIP R 100 J 1/10W	
R235			RK73GB2A473J	CHIP R 47K J 1/10W	
R236-238			RK73GB2A101J	CHIP R 100 J 1/10W	
R239			RK73GB2A473J	CHIP R 47K J 1/10W	
R240-242			RK73GB2A101J	CHIP R 100 J 1/10W	
R245-248			RK73GB2A473J	CHIP R 47K J 1/10W	
R249			RK73GB2A123J	CHIP R 12K J 1/10W	
R250			RK73GB2A473J	CHIP R 47K J 1/10W	
R251			RK73GB2A101J	CHIP R 100 J 1/10W	
R252-254			RK73GB2A473J	CHIP R 47K J 1/10W	
R255			RK73GB2A103J	CHIP R 10K J 1/10W	R1E1E2
R255			RK73GB2A103J	CHIP R 10K J 1/10W	X1E3
R255-258			RK73GB2A103J	CHIP R 10K J 1/10W	M1
R256			RK73GB2A303J	CHIP R 30K J 1/10W	X1
R256			RK73GB2A332J	CHIP R 3.3K J 1/10W	E1E2E3
R256-258			RK73GB2A103J	CHIP R 10K J 1/10W	K
R256,257			RK73GB2A103J	CHIP R 10K J 1/10W	K1
R257			RK73GB2A103J	CHIP R 10K J 1/10W	E3
R257,258			RK73GB2A103J	CHIP R 10K J 1/10W	R1E1E2
R257,258			RK73GB2A103J	CHIP R 10K J 1/10W	X1
R259			RK73GB2A103J	CHIP R 10K J 1/10W	K1E3
R260			RK73GB2A104J	CHIP R 100K J 1/10W	
R262			RK73GB2A103J	CHIP R 10K J 1/10W	
R263			RK73GB2A101J	CHIP R 100 J 1/10W	
R301			RK73GB2A102J	CHIP R 1.0K J 1/10W	
R302			RK73GB2A101J	CHIP R 100 J 1/10W	
R303			RK73GB2A000J	CHIP R 0.0 J 1/10W	
R304			RK73GB2A681J	CHIP R 680 J 1/10W	
R305			RK73GB2A222J	CHIP R 2.2K J 1/10W	
R306			RK73GB2A000J	CHIP R 0.0 J 1/10W	
R307			RK73GH2A183D	CHIP R 18K D 1/10W	
R308			RK73GB2A473J	CHIP R 47K J 1/10W	
R309			RK73GB2A000J	CHIP R 0.0 J 1/10W	
R310			RK73GB2A561J	CHIP R 560 J 1/10W	
R311			RK73GB2A105J	CHIP R 1.0M J 1/10W	
R312			RK73GB2A000J	CHIP R 0.0 J 1/10W	
R313			RK73GB2A105J	CHIP R 1.0M J 1/10W	
R316			RK73GH2A222D	CHIP R 2.2K D 1/10W	
R317			RK73GB2A822J	CHIP R 8.2K J 1/10W	
R318			RK73GB2A562J	CHIP R 5.6K J 1/10W	
R319			RK73GH2A681D	CHIP R 680 D 1/10W	E1E2M1
R319			RK73GH2A681D	CHIP R 680 D 1/10W	X1E3
R320-322			RK73GB2A000J	CHIP R 0.0 J 1/10W	

K : DDX7019 K1 : DNX7100 (North America)
E1 : DDX7029 E2 : DDX7029Y E3 : DNX7200 (Europe)
X1 : DDX7039 (Australia) R1 : DDX7039 (Latin America)
M1 : DDX7039 (Other Areas)

△ Indicates safety critical components.

PARTS LIST

VIDEO CONTROL UNIT (X14-985x-xx)

Ref. No.	Add	New	Parts No.	Description	Destination	Ref. No.	Add	New	Parts No.	Description	Destination
R324			RK73GB2A103J	CHIP R 10K J 1/10W		R451			RK73GB2A000J	CHIP R 0.0 J 1/10W	
R325			RK73GB2A000J	CHIP R 0.0 J 1/10W		R452-457			RK73GB2A101J	CHIP R 100 J 1/10W	
R326			RK73GB2A103J	CHIP R 10K J 1/10W		R458			RK73GB2A751J	CHIP R 750 J 1/10W	
R327-330			RK73GB2A101J	CHIP R 100 J 1/10W		R459			RK73GB2A102J	CHIP R 1.0K J 1/10W	
R331			RK73GH2A473D	CHIP R 47K D 1/10W		R461,462			RK73GB2A473J	CHIP R 47K J 1/10W	
R332			RK73GB2A361J	CHIP R 360 J 1/10W		R463			RK73FB2B101J	CHIP R 100 J 1/8W	
R334			RK73GB2A361J	CHIP R 360 J 1/10W		R464			RK73EB2E101J	CHIP R 100 J 1/4W	
R335,336			RK73GB2A303J	CHIP R 30K J 1/10W		R500,501			RK73GB2A000J	CHIP R 0.0 J 1/10W	
R337			RK73GB2A100J	CHIP R 10 J 1/10W		R503-515			RK73GB2A000J	CHIP R 0.0 J 1/10W	
R338			RK73GB2A102J	CHIP R 1.0K J 1/10W		R518,519			RK73GB2A223J	CHIP R 22K J 1/10W	
R339			RK73GB2A000J	CHIP R 0.0 J 1/10W		R520,521			RK73GB2A471J	CHIP R 470 J 1/10W	
R342			RK73GB2A000J	CHIP R 0.0 J 1/10W		R522			RK73GB2A101J	CHIP R 100 J 1/10W	
R344			RK73GB2A222J	CHIP R 2.2K J 1/10W		R523,524			RK73GB2A473J	CHIP R 47K J 1/10W	
R345			RK73GH2A432D	CHIP R 4.3K D 1/10W		R525-527			RK73GB2A101J	CHIP R 100 J 1/10W	
R346			RK73GH2A152D	CHIP R 1.5K D 1/10W		R528,529			RK73GB2A000J	CHIP R 0.0 J 1/10W	
R347			RK73GH2A104D	CHIP R 100K D 1/10W		R534			RK73GB2A100J	CHIP R 10 J 1/10W	
R348			RK73GH2A363D	CHIP R 36K D 1/10W		R535			RK73GB2A151J	CHIP R 150 J 1/10W	
R349			RK73GH2A104D	CHIP R 100K D 1/10W		R536			RK73EB2E750J	CHIP R 75 J 1/4W	
R350			RK73GH2A363D	CHIP R 36K D 1/10W		R537,538			RK73GB2A000J	CHIP R 0.0 J 1/10W	
R351			RK73GH2A104D	CHIP R 100K D 1/10W		R539,540			RK73GB2A100J	CHIP R 10 J 1/10W	K1E3
R352			RK73GH2A363D	CHIP R 36K D 1/10W		R541			RK73GB2A000J	CHIP R 0.0 J 1/10W	
R353-355			RK73GB2A362J	CHIP R 3.6K J 1/10W		R542			RK73GB2A472J	CHIP R 4.7K J 1/10W	
R356-361			RK73GH2A102D	CHIP R 1.0K D 1/10W		R543			RK73GB2A103J	CHIP R 10K J 1/10W	
R370-382			RK73GB2A101J	CHIP R 100 J 1/10W		R544			RK73GB2A472J	CHIP R 4.7K J 1/10W	
R383,384			RK73GB2A000J	CHIP R 0.0 J 1/10W		R550			RK73GB2A104J	CHIP R 100K J 1/10W	K1E3
R385			RK73GB2A101J	CHIP R 100 J 1/10W		R551			RK73GB2A000J	CHIP R 0.0 J 1/10W	
R388			RK73GB2A272J	CHIP R 2.7K J 1/10W		R552			RK73GB2A101J	CHIP R 100 J 1/10W	
R389			RK73GB2A222J	CHIP R 2.2K J 1/10W		R553,554			RK73GB2A104J	CHIP R 100K J 1/10W	K1E3
R394			RK73GB2A000J	CHIP R 0.0 J 1/10W		R555			RK73GB2A101J	CHIP R 100 J 1/10W	
R400-403			RK73EB2E100J	CHIP R 10 J 1/4W		D2			DAN202U	DIODE	
R404			RK73GB2A100J	CHIP R 10 J 1/10W		D3			UDZS6.2B	ZENER DIODE	
R405			RK73GB2A202J	CHIP R 2.0K J 1/10W		D4			EP05Q04	DIODE	
R410,411			RK73GB2A223J	CHIP R 22K J 1/10W		D5			1SR154-400	DIODE	
R412			RK73GB2A202J	CHIP R 2.0K J 1/10W		D101-104	*		1SS357-F	DIODE	
R413			RK73GB2A750J	CHIP R 75 J 1/10W		D301			DAN202U	DIODE	
R414			RK73GB2A222J	CHIP R 2.2K J 1/10W		D312-320			AVRM1608120M6A	VARIISTOR	
R415			RK73GB2A102J	CHIP R 1.0K J 1/10W		D322,323			AVRM1608120M6A	VARIISTOR	
R420			RK73GB2A103J	CHIP R 10K J 1/10W		D324			AVRM1608180M6A	VARIISTOR	
R421			RK73GB2A000J	CHIP R 0.0 J 1/10W		D400			AVRM1608270MAA	VARIISTOR	
R422-424			RK73GB2A101J	CHIP R 100 J 1/10W		D401,402			AVRM1608120M6A	VARIISTOR	
R425-430			RK73GB2A102J	CHIP R 1.0K J 1/10W		D403			DAP202U	DIODE	
R431			RK73GB2A000J	CHIP R 0.0 J 1/10W		D404			UDZS4.7B	ZENER DIODE	
R432-435			RK73GB2A101J	CHIP R 100 J 1/10W		D407			AVRM1608120M6A	VARIISTOR	
R436			RK73GB2A751J	CHIP R 750 J 1/10W		D408			AVRM1608270MAA	VARIISTOR	
R437			RK73GB2A102J	CHIP R 1.0K J 1/10W		D502			AVRM1608270MAA	VARIISTOR	
R438			RK73GB2A101J	CHIP R 100 J 1/10W		D503			DA204U	DIODE	
R439			RK73GB2A751J	CHIP R 750 J 1/10W		D506			DAP202U	DIODE	
R440			RK73GB2A102J	CHIP R 1.0K J 1/10W		IC1			SI-3033KMS	ANALOGUE IC	
R441			RK73GB2A101J	CHIP R 100 J 1/10W		IC2			PQ1X331M2ZPH	ANALOGUE IC	
R442			RK73GB2A751J	CHIP R 750 J 1/10W		IC10			NJM4565V-ZB	ANALOGUE IC	
R443			RK73GB2A102J	CHIP R 1.0K J 1/10W		IC101,102	*		LTC3728LEGN	ANALOGUE IC	
R444			RK73GB2A000J	CHIP R 0.0 J 1/10W		IC201	*		703261YGC315A	MICROCONTROLLER IC	
R445-448			RK73GB2A101J	CHIP R 100 J 1/10W		IC202	*		S1000N30N4T1G	ANALOGUE IC	
R449			RK73GB2A222J	CHIP R 2.2K J 1/10W		IC203	*		BR24L08FV-W	ROM IC	
R450			RK73GB2A221J	CHIP R 220 J 1/10W							

K : DDX7019 K1 : DNX7100 (North America)
E1 : DDX7029 E2 : DDX7029Y E3 : DNX7200 (Europe)
X1 : DDX7039 (Australia) R1 : DDX7039 (Latin America)
M1 : DDX7039 (Other Areas)

△ Indicates safety critical components.

PARTS LIST

VIDEO CONTROL UNIT (X14-985x-xx)

Ref. No.	Add	New	Parts No.	Description	Destination
IC205			TC7SET08FU-F	MOS-IC	
IC301			RB5P0090M	ANALOGUE IC	
IC302			TC7SET04FU-F	MOS-IC	
IC303			TC7WH123FU-F	MOS-IC	
IC304			TC7SH04FU-F	MOS-IC	
IC400		*	NJM2505AF-ZB	ANALOGUE IC	
IC401		*	NJM2794RB2ZB	ANALOGUE IC	
IC402			BU2090FS	MOS-IC	
IC403,404			MM1234XFBE-E	ANALOGUE IC	
IC405			BA7649F	ANALOGUE IC	
IC406			MM1503-E	ANALOGUE IC	
IC407,408			TC4052BFT	MOS-IC	
IC501			LB1836M-TLM-E	ANALOGUE IC	
IC502			TC7SET04FU-F	MOS-IC	
Q1,2			2SC4081	TRANSISTOR	
Q3			2SA1576A	TRANSISTOR	
Q4			2SC4081	TRANSISTOR	
Q5			2SA1576A	TRANSISTOR	
Q6			2SC4081	TRANSISTOR	
Q7			DTA114EUA	DIGITAL TRANSISTOR	
Q8			DTC114YUA	DIGITAL TRANSISTOR	
Q9			DTA114TUA	DIGITAL TRANSISTOR	
Q10			DTC114YUA	DIGITAL TRANSISTOR	
Q13			2SC4081	TRANSISTOR	
Q14			2SB1184	TRANSISTOR	
Q15,16			2SC4081	TRANSISTOR	
Q17			2SA1576A	TRANSISTOR	
Q19			DTC114YUA	DIGITAL TRANSISTOR	
Q20,21			2SA1576A	TRANSISTOR	
Q22			TPC8110-F	FET	
Q23			2SC4081	TRANSISTOR	
Q24			2SA1576A	TRANSISTOR	
Q25			DTC114YUA	DIGITAL TRANSISTOR	
Q26			2SB1689	TRANSISTOR	
Q31			2SB1184	TRANSISTOR	
Q32			2SC4081	TRANSISTOR	
Q33			2SA1576A	TRANSISTOR	
Q34			2SC4081	TRANSISTOR	
Q35			2SB1184	TRANSISTOR	
Q36			2SC4081	TRANSISTOR	
Q37			2SA1576A	TRANSISTOR	
Q38			2SC4081	TRANSISTOR	
Q43			2SB1184	TRANSISTOR	
Q44			2SC4081	TRANSISTOR	
Q45			2SA1576A	TRANSISTOR	
Q46			2SC4081	TRANSISTOR	
Q101			DTC114YUA	DIGITAL TRANSISTOR	
Q103			DTC144EUA	DIGITAL TRANSISTOR	
Q104,105		*	HAT2218R-E	DUAL FET	
Q106			DTC144EUA	DIGITAL TRANSISTOR	
Q108			DTC144EUA	DIGITAL TRANSISTOR	
Q109,110		*	HAT2218R-E	DUAL FET	
Q111			DTC144EUA	DIGITAL TRANSISTOR	
Q201			DTC114EUA	DIGITAL TRANSISTOR	
Q203			DTA114EUA	DIGITAL TRANSISTOR	

Ref. No.	Add	New	Parts No.	Description	Destination
Q204			DTC114YUA	DIGITAL TRANSISTOR	
Q205			DTA114EUA	DIGITAL TRANSISTOR	
Q206			DTC114YUA	DIGITAL TRANSISTOR	
Q207			DTB123YK	DIGITAL TRANSISTOR	
Q301			2SC4081	TRANSISTOR	
Q304			UMZ1N	TRANSISTOR	
Q305			DTC114YUA	DIGITAL TRANSISTOR	
Q306-309			UMZ1N	TRANSISTOR	
Q401			2SA1576A	TRANSISTOR	K1E3
Q501			DTA114EUA	DIGITAL TRANSISTOR	
Q502			2SA1576A	TRANSISTOR	K1E3
Q504			2SA1576A	TRANSISTOR	
Q505			DTC114EUA	DIGITAL TRANSISTOR	K1E3
Q506,507			DTC323TU	DIGITAL TRANSISTOR	
Q508		*	2SC3437-F(Y)	TRANSISTOR	
Q509			DTA114EUA	DIGITAL TRANSISTOR	
CONTROL CIRCUIT UNIT (X29-443x-xx)					
C701-703			CK73GB1A474K	CHIP C 0.47UF	K
C704-706			CK73GB1H104K	CHIP C 0.10UF	K
C707			CD04AT1C470M	ELECTRO 47UF	16WV
C708			CK73GB1H103K	CHIP C 0.010UF	K
C709			CD04AT1C220M	ELECTRO 22UF	16WV
C710			CK73GB1A474K	CHIP C 0.47UF	K
C711			CD04AT1C220M	ELECTRO 22UF	16WV
C712			CK73GB1A474K	CHIP C 0.47UF	K
C713			CK73GB1H104K	CHIP C 0.10UF	K
C715			CK73GB1H103K	CHIP C 0.010UF	K
C719-721			CD04AT1HR47M	ELECTRO 0.47UF	50WV
C723			CK73GB1H103K	CHIP C 0.010UF	K
C725			CD04AT1C220M	ELECTRO 22UF	16WV
C727			CD04AT1HR47M	ELECTRO 0.47UF	50WV
C728			CK73GB1A474K	CHIP C 0.47UF	K
C801-804			CK73GB1A105K	CHIP C 1.0UF	K
C806			CK73GB1A105K	CHIP C 1.0UF	K
C808			CD04AT1C220M	ELECTRO 22UF	16WV
C809			CK73GB1H104K	CHIP C 0.10UF	K
C811			CK73FB0J106K	CHIP C 10UF	K
C812			CK73GB1H103K	CHIP C 0.010UF	K
C813-815			CK73GB1A105K	CHIP C 1.0UF	K
C817			CK73GB1A105K	CHIP C 1.0UF	K
C818,819			CK73GB1H104K	CHIP C 0.10UF	K
C820			CD04ATOJ331M	ELECTRO 330UF	6.3WV
C821,822			CK73GB1A105K	CHIP C 1.0UF	K
C824			CK73GB1H104K	CHIP C 0.10UF	K
C825			CK73GB1H103K	CHIP C 0.010UF	K
C827			CK73GB1H473K	CHIP C 0.047UF	K
C828-830			CK73GB1H103K	CHIP C 0.010UF	K
C831-833			CK73GB1A105K	CHIP C 1.0UF	K
C831-833			CK73GB1A105K	CHIP C 1.0UF	K
C834-839			CK73GB1A105K	CHIP C 1.0UF	K
C840			CK73GB1H104K	CHIP C 0.10UF	K
C841-843			CK73GB1H103K	CHIP C 0.010UF	K
C854,855			CK73GB1A105K	CHIP C 1.0UF	K

K : DDX7019 K1 : DNX7100 (North America)
 E1 : DDX7029 E2 : DDX7029Y E3 : DNX7200 (Europe)
 X1 : DDX7039 (Australia) R1 : DDX7039 (Latin America)
 M1 : DDX7039 (Other Areas)

△ Indicates safety critical components.

PARTS LIST

CONTROL CIRCUIT UNIT (X29-443x-xx)

Ref. No.	Add	New	Parts No.	Description	Destination	Ref. No.	Add	New	Parts No.	Description	Destination
CN702		*	E41-2771-05	PIN ASSY		R811			RK73GB2A103J	CHIP R 10K J 1/10W	
CN703			E41-2636-05	PIN ASSY		R812,813			RK73GB2A473J	CHIP R 47K J 1/10W	
CN801			E40-6469-05	PIN ASSY		R814			RK73GB2A000J	CHIP R 0.0 J 1/10W	
CN803			E41-2153-05	FLAT CABLE CONNECTOR		R815			RK73GH2A333D	CHIP R 33K D 1/10W	
J701			E58-1034-05	RECTANGULAR RECEPTACLE		R816			RK73GH2A222D	CHIP R 2.2K D 1/10W	
WH804	3C	*	E39-0892-15	WIRING HARNESS		R817			RK73GH2A153D	CHIP R 15K D 1/10W	
L702			L92-0319-05	CHIP FERRITE		R818			RK73GB2A302J	CHIP R 3.0K J 1/10W	
L703			L41-4795-33	SMALL FIXED INDUCTOR (4.7U)		R819			RK73GB2A623J	CHIP R 62K J 1/10W	
L801			L92-0319-05	CHIP FERRITE		R820			RK73GB2A222J	CHIP R 2.2K J 1/10W	
R701-704			RK73GB2A750J	CHIP R 75 J 1/10W	E1E2E3	R821,822			RK73GB2A473J	CHIP R 47K J 1/10W	
R704			RK73GB2A750J	CHIP R 75 J 1/10W	KR1M1	R823			RK73GB2A222J	CHIP R 2.2K J 1/10W	
R704			RK73GB2A750J	CHIP R 75 J 1/10W	X1K1	R824			RK73GB2A682J	CHIP R 6.8K J 1/10W	
R705,706			RK73EB2E102J	CHIP R 1.0K J 1/4W		R825			RK73GB2A104J	CHIP R 100K J 1/10W	
R707-709			RK73EB2E101J	CHIP R 100 J 1/4W		R826			RK73GB2A682J	CHIP R 6.8K J 1/10W	
R710			RK73EB2E4R7J	CHIP R 4.7 J 1/4W		R827			RK73GB2A473J	CHIP R 47K J 1/10W	
R711,712			RK73EB2E102J	CHIP R 1.0K J 1/4W		R828			RK73GB2A104J	CHIP R 100K J 1/10W	
R713			RK73EB2E100J	CHIP R 10 J 1/4W		R829			RK73GB2A473J	CHIP R 47K J 1/10W	
R714			RK73EB2E4R7J	CHIP R 4.7 J 1/4W		R830			RK73GB2A222J	CHIP R 2.2K J 1/10W	
R715			RK73EB2E100J	CHIP R 10 J 1/4W		R831			RK73GB2A473J	CHIP R 47K J 1/10W	KR1M1
R716-719			RK73EB2E101J	CHIP R 100 J 1/4W	E1E2E3	R831			RK73GB2A473J	CHIP R 47K J 1/10W	X1K1
R719			RK73EB2E101J	CHIP R 100 J 1/4W	KR1M1	R831,832			RK73GB2A473J	CHIP R 47K J 1/10W	E1E2E3
R719			RK73EB2E101J	CHIP R 100 J 1/4W	X1K1	R833-835			RK73GB2A101J	CHIP R 100 J 1/10W	
R720-727			RK73GB2A100J	CHIP R 10 J 1/10W	E1E2E3	R836-841			RK73GB2A473J	CHIP R 47K J 1/10W	KR1M1
R723-727			RK73GB2A100J	CHIP R 10 J 1/10W	KR1M1	R836-841			RK73GB2A473J	CHIP R 47K J 1/10W	X1K1
R723-727			RK73GB2A100J	CHIP R 10 J 1/10W	X1K1	R842-844			RK73GB2A272J	CHIP R 2.7K J 1/10W	
R728			RK73GB2A000J	CHIP R 0.0 J 1/10W		R845,846			RK73GB2A123J	CHIP R 12K J 1/10W	
R733			RK73GB2A222J	CHIP R 2.2K J 1/10W		R848-850			RK73GB2A473J	CHIP R 47K J 1/10W	
R734			RK73GB2A102J	CHIP R 1.0K J 1/10W		R851,852			RK73GB2A103J	CHIP R 10K J 1/10W	
R735-737			RK73FB2B102J	CHIP R 1.0K J 1/8W		R853-855			RK73GB2A101J	CHIP R 100 J 1/10W	
R738			RK73FB2B100J	CHIP R 10 J 1/8W		R856			RK73GB2A000J	CHIP R 0.0 J 1/10W	
R739			RK73FB2B4R7J	CHIP R 4.7 J 1/8W		R857-859			RK73GB2A101J	CHIP R 100 J 1/10W	
R740			RK73FB2B100J	CHIP R 10 J 1/8W		D701-706			STZ6.2N	ZENER DIODE	E1E2E3
R741-744			RK73GB2A750J	CHIP R 75 J 1/10W		D704-706			STZ6.2N	ZENER DIODE	KR1M1
R745-748			RK73EB2E101J	CHIP R 100 J 1/4W		D707			UDZS6.2B	ZENER DIODE	X1K1
R750,751			RK73GB2A101J	CHIP R 100 J 1/10W		D708			AVRM1608180M6A	VARIATOR	
R755-758			RK73GB2A100J	CHIP R 10 J 1/10W		D709,710			AVRM1608120M6A	VARIATOR	
R760			RK73GB2A102J	CHIP R 1.0K J 1/10W		D711			STZ6.2N	ZENER DIODE	
R761			RK73GB2A750J	CHIP R 75 J 1/10W		D712			UDZS6.8B	ZENER DIODE	
R763			RK73GB2A750J	CHIP R 75 J 1/10W		D713			DAP202U	DIODE	
R764			RK73EB2E750J	CHIP R 75 J 1/4W		D714			UDZS4.7B	ZENER DIODE	
R768-770			RK73FB2B100J	CHIP R 10 J 1/8W		D715			STZ6.2N	ZENER DIODE	E1E2R1
R772			RK73FB2B100J	CHIP R 10 J 1/8W		D715			STZ6.2N	ZENER DIODE	KM1X1
R774			RK73FB2B100J	CHIP R 10 J 1/8W		D716			UDZS6.2B	ZENER DIODE	E1E2R1
R775			RK73GB2A000J	CHIP R 0.0 J 1/10W		D716			UDZS6.2B	ZENER DIODE	KM1X1
R777			RK73GB2A000J	CHIP R 0.0 J 1/10W		D717,718			UDZS6.8B	ZENER DIODE	E1E2R1
R781			RK73GB2A103J	CHIP R 10K J 1/10W		D717,718			UDZS6.8B	ZENER DIODE	KM1X1
R782			RK73FB2B100J	CHIP R 10 J 1/8W		D719-722			STZ6.2N	ZENER DIODE	E1E2R1
R783			RK73GB2A103J	CHIP R 10K J 1/10W		D719-722			STZ6.2N	ZENER DIODE	KM1X1
R786,787			RK73GB2A183J	CHIP R 18K J 1/10W		D723			AVRM1608270MAA	VARIATOR	
R789			RK73GB2A222J	CHIP R 2.2K J 1/10W		D724			STZ6.2N	ZENER DIODE	
R791			RK73GB2A102J	CHIP R 1.0K J 1/10W		D731			UDZS8.2B	ZENER DIODE	
R801-803			RK73GB2A103J	CHIP R 10K J 1/10W		D732			STZ6.2N	ZENER DIODE	
R805,806			RK73GB2A473J	CHIP R 47K J 1/10W		D733			UDZS8.2B	ZENER DIODE	
R808			RK73GB2A182J	CHIP R 1.8K J 1/10W							

K : DDX7019 K1 : DNX7100 (North America)
 E1 : DDX7029 E2 : DDX7029Y E3 : DNX7200 (Europe)
 X1 : DDX7039 (Australia) R1 : DDX7039 (Latin America)
 M1 : DDX7039 (Other Areas)

△ Indicates safety critical components.

PARTS LIST

CONTROL CIRCUIT UNIT (X29-443x-xx)

Ref. No.	Add	New	Parts No.	Description	Destination
D735			DAP202U	DIODE	
D737			UDZS4.7B	ZENER DIODE	
D738			UDZS6.2B	ZENER DIODE	E1E2R1
D738			UDZS6.2B	ZENER DIODE	KM1X1
D739			UDZS6.8B	ZENER DIODE	
D740			AVRM1608270MAA	VARISTOR	
D742			AVRM1608270MAA	VARISTOR	
IC701		*	NJM2794RB2ZB	ANALOGUE IC	
IC702			TC7S08FU-F	MOS-IC	
IC704		*	NJM2794RB2ZB	ANALOGUE IC	
IC801			BA7649F	ANALOGUE IC	
IC803			BA7652AF	ANALOGUE IC	
IC804			MM1508XNRE-E	ANALOGUE IC	
IC805			BA7653AFV	ANALOGUE IC	
IC806			MM1234XFBE-E	ANALOGUE IC	E1E2E3
Q801-805			2SC4081	TRANSISTOR	
Q806			2SA1576A	TRANSISTOR	
Q807			2SC4081	TRANSISTOR	
Q808-811			2SA1576A	TRANSISTOR	
Q813-815			2SC4081	TRANSISTOR	
ELECTRIC UNIT (X34-477x-xx)					
C1			C90-5612-05	ELECTRO 3900UF 16WV	
C2			CK73GB1H103K	CHIP C 0.010UF K	
C4-6			CK73FB1C105K	CHIP C 1.0UF K	
C7			CK73GB1H103K	CHIP C 0.010UF K	
C8			CD04AT1H3R3M	ELECTRO 3.3UF 50WV	
C9			CK73FB1C105K	CHIP C 1.0UF K	
C10			CK73GB1H104K	CHIP C 0.10UF K	
C11-13			CK73GB1H103K	CHIP C 0.010UF K	E1E2R1
C11-13			CK73GB1H103K	CHIP C 0.010UF K	KM1X1
C11-15			CK73GB1H103K	CHIP C 0.010UF K	K1E3
C51,52		*	C90-6845-05	ELECTRO 100UF 25WV	
C53			CE32CL1C100M	CHIP EL 10UF 16WV	
C54		*	C90-6844-05	ELECTRO 330UF 6.3WV	
C71			CK73GB1A105K	CHIP C 1.0UF K	
C72			CE32CL1C470M	CHIP EL 47UF 16WV	
C73			CK73FB1E474K	CHIP C 0.47UF K	
C74			CK73GB1H103K	CHIP C 0.010UF K	
C81			CK73EB1E105K	CHIP C 1.0UF K	E3
C81			CK73EB1E105K	CHIP C 1.0UF K	M1X1K1
C82			CK73GB1H473K	CHIP C 0.047UF K	E3
C82			CK73GB1H473K	CHIP C 0.047UF K	M1X1K1
C91			CK73EB1E105K	CHIP C 1.0UF K	E3
C91			CK73EB1E105K	CHIP C 1.0UF K	M1X1K1
C92			CK73GB1H473K	CHIP C 0.047UF K	E3
C92			CK73GB1H473K	CHIP C 0.047UF K	M1X1K1
C101			CD04AT0J331M	ELECTRO 330UF 6.3WV	
C103			CK73GB1H102K	CHIP C 1000PF K	
C104,105			CK73GB1H104K	CHIP C 0.10UF K	
C106			CK73GB1A105K	CHIP C 1.0UF K	
C107-110			CK73GB1H104K	CHIP C 0.10UF K	
C112			CK73GB1H102K	CHIP C 1000PF K	
C113-115			CK73GB1H103K	CHIP C 0.010UF K	
C116			CK73GB1H104K	CHIP C 0.10UF K	
C117			CK73GB1H103K	CHIP C 0.010UF K	

Ref. No.	Add	New	Parts No.	Description	Destination
C201			CD04AT1C470M	ELECTRO 47UF 16WV	
C202			CD04AT1C100M	ELECTRO 10UF 16WV	
C205,206			CD04AT1H3R3M	ELECTRO 3.3UF 50WV	
C207			CK73FB1C105K	CHIP C 1.0UF K	
C209-211			CD04AT1H010M	ELECTRO 1UF 50WV	
C212,213			CK73GB1A105K	CHIP C 1.0UF K	
C214,215			CC73GCH1H050C	CHIP C 5.0PF C	
C216			CK73GB1H103K	CHIP C 0.010UF K	
C223,224			CK73FB1E474K	CHIP C 0.47UF K	
C225,226			CD04AT1H2R2M	ELECTRO 2.2UF 50WV	
C227,228			CK73FB1E474K	CHIP C 0.47UF K	
C233			CD04AT1C100M	ELECTRO 10UF 16WV	
C234,235			CK73GB1H103K	CHIP C 0.010UF K	
C260-263			CK73GB1H103K	CHIP C 0.010UF K	
C264,265			CC73GCH1H100D	CHIP C 10PF D	E2M1K1
C264,265			CC73GCH1H100D	CHIP C 10PF D	E3
C266			CK73GB1H103K	CHIP C 0.010UF K	KR1E1
C266			CK73GB1H103K	CHIP C 0.010UF K	E2M1K1
C266			CK73GB1H103K	CHIP C 0.010UF K	E3
C266			CK73GB1H103K	CHIP C 0.010UF K	KR1E1
C267			CC73GCH1H331J	CHIP C 330PF J	E2M1K1
C267			CC73GCH1H331J	CHIP C 330PF J	E3
C267			CC73GCH1H331J	CHIP C 330PF J	KR1E1
C268,269			CD04AT1C100M	ELECTRO 10UF 16WV	E2M1K1
C268,269			CD04AT1C100M	ELECTRO 10UF 16WV	E3
C268,269			CD04AT1C100M	ELECTRO 10UF 16WV	KR1E1
C270			CK73GB1H103K	CHIP C 0.010UF K	E2M1K1
C270			CK73GB1H103K	CHIP C 0.010UF K	E3
C270			CK73GB1H103K	CHIP C 0.010UF K	KR1E1
C301			CK73GB1H222K	CHIP C 2200PF K	E1E2E3
C302			CC73GCH1H221J	CHIP C 220PF J	E1E2E3
C303			CC73GCH1H220J	CHIP C 22PF J	E1E2E3
C304			CC73GCH1H221J	CHIP C 220PF J	E1E2E3
C305,306			C90-6779-05	ELECTRO 0.47UF 16WV	
C307			CK73GB1H222K	CHIP C 2200PF K	E1E2E3
C308			CC73GCH1H221J	CHIP C 220PF J	E1E2E3
C309			CK73GB1H222K	CHIP C 2200PF K	E1E2E3
C310			CC73GCH1H221J	CHIP C 220PF J	E1E2E3
C311,312			C90-6780-05	ELECTRO 1UF 16WV	
C313,314			CK73GB1H222K	CHIP C 2200PF K	E1E2E3
C315,316			CK73GB1A105K	CHIP C 1.0UF K	
C317,318			C90-6779-05	ELECTRO 0.47UF 16WV	
C319			CD04BM1E330M	ELECTRO 33UF 25WV	
C320			CK73GB1H222K	CHIP C 2200PF K	E1E2E3
C321			CC73GCH1H220J	CHIP C 22PF J	E1E2E3
C322-325			CC73GCH1H221J	CHIP C 220PF J	E1E2E3
C326			CC73GCH1H050C	CHIP C 5.0PF C	
C327-334			CK73GB1H222K	CHIP C 2200PF K	E1E2E3
C335-342			CC73GCH1H220J	CHIP C 22PF J	E1E2E3
C351-354			CK73GB1H104K	CHIP C 0.10UF K	
C355			CE32BJ1C100M	CHIP EL 10UF 16WV	
C356,357			CK73GB1H102K	CHIP C 1000PF K	
C358,359			CE32BJ1C100M	CHIP EL 10UF 16WV	
C360,361			CK73GB1H102K	CHIP C 1000PF K	
C362,363			CE32BJ1C100M	CHIP EL 10UF 16WV	

K : DDX7019 K1 : DNX7100 (North America)
 E1 : DDX7029 E2 : DDX7029Y E3 : DNX7200 (Europe)
 X1 : DDX7039 (Australia) R1 : DDX7039 (Latin America)
 M1 : DDX7039 (Other Areas)

△ Indicates safety critical components.

PARTS LIST

ELECTRIC UNIT (X34-477x-xx)

Ref. No.	Add	New	Parts No.	Description	Destination	Ref. No.	Add	New	Parts No.	Description	Destination
C364,365			CK73GB1H102K	CHIP C 1000PF K		R23			RK73FB2B472J	CHIP R 4.7K J 1/8W	
C366,367			CE32BJ1C100M	CHIP EL 10UF 16WV		R24			RK73GB2A223J	CHIP R 22K J 1/10W	
C368,369			CK73GB1H102K	CHIP C 1000PF K		R25,26			RK73PB2H102J	CHIP R 1.0K J 1/2W	
C370			CE32BJ1C100M	CHIP EL 10UF 16WV		R27			RK73GB2A000J	CHIP R 0.0 J 1/10W	E1E2M1
C371			CK73GB1H104K	CHIP C 0.10UF K		R27			RK73GB2A000J	CHIP R 0.0 J 1/10W	E3
C372			CC73GCH1H101J	CHIP C 100PF J	E1E2E3	R28			RK73GB2A103J	CHIP R 10K J 1/10W	KR1X1
C374			CC73GCH1H101J	CHIP C 100PF J	E1E2E3	R28			RK73GB2A103J	CHIP R 10K J 1/10W	K1
C378			CC73GCH1H101J	CHIP C 100PF J	E1E2E3	R29			RK73GB2A222J	CHIP R 2.2K J 1/10W	KR1X1
C401			CD04AT1HR47M	ELECTRO 0.47UF 50WV		R29			RK73GB2A222J	CHIP R 2.2K J 1/10W	K1
C402			CD04AT0J470M	ELECTRO 47UF 6.3WV		R30			RK73FB2B472J	CHIP R 4.7K J 1/8W	
C403			CD04AT1HR47M	ELECTRO 0.47UF 50WV		R31,32			RK73PB2H102J	CHIP R 1.0K J 1/2W	KR1X1
C501			CK73GB1H103K	CHIP C 0.010UF K		R31,32			RK73PB2H102J	CHIP R 1.0K J 1/2W	K1
CN351			E41-2649-05	PIN ASSY		R33			RK73GB2A103J	CHIP R 10K J 1/10W	KR1X1
CN501	*		E41-2766-05	FLAT CABLE CONNECTOR		R33			RK73GB2A103J	CHIP R 10K J 1/10W	K1
CN502			E41-2197-05	FLAT CABLE CONNECTOR		R34			RK73GB2A473J	CHIP R 47K J 1/10W	
J1			E58-1043-05	RECTANGULAR RECEPTACLE	E3	R35			RK73GB2A222J	CHIP R 2.2K J 1/10W	
J2			E58-1067-05	RECTANGULAR RECEPTACLE		R36			RK73FB2B561J	CHIP R 560 J 1/8W	
J2			E58-1067-05	RECTANGULAR RECEPTACLE	M1X1K1	R37			RK73EB2E102J	CHIP R 1.0K J 1/4W	
J401			E56-0865-05	CYLINDRICAL RECEPTACLE		R38			RK73GB2A104J	CHIP R 100K J 1/10W	
W251			E30-6508-05	CORD WITH PLUG (FM-ANT)		R39			RK73GB2A473J	CHIP R 47K J 1/10W	
F51			F53-0297-05	FUSE (UL,CSA) 1.6A		R40			RK73EB2E103J	CHIP R 10K J 1/4W	
L1	*		L33-2359-05	CHOKE COIL		R41			RK73GB2A100J	CHIP R 10 J 1/10W	
L71			L41-4795-33	SMALL FIXED INDUCTOR (4.7U)		R51			RK73EB2E000J	CHIP R 0.0 J 1/4W	
L101			L92-0319-05	CHIP FERRITE		R52			RK73FB2B223J	CHIP R 22K J 1/8W	
L251			L41-4795-33	SMALL FIXED INDUCTOR (4.7U)		R53,54			RK73GB2A101J	CHIP R 100 J 1/10W	
L253			L41-4795-33	SMALL FIXED INDUCTOR (4.7U)		R55			RK73GB2A223J	CHIP R 22K J 1/10W	
L255			L41-4795-33	SMALL FIXED INDUCTOR (4.7U)	E2M1K1	R56			RK73FB2B222J	CHIP R 2.2K J 1/8W	
L255			L41-4795-33	SMALL FIXED INDUCTOR (4.7U)	E3	R71			RK73FB2B221J	CHIP R 220 J 1/8W	
X101	*		L78-1220-05	RESONATOR (19.8000MHZ)	KR1E1	R72			RK73GH2A243D	CHIP R 24K D 1/10W	
X251			L77-2002-05	CRYSTAL RESONATOR	E2M1K1	R73			RK73GH2A432D	CHIP R 4.3K D 1/10W	
X251			L77-2002-05	CRYSTAL RESONATOR	E3	R75,76			RK73GB2A473J	CHIP R 47K J 1/10W	E3
X251			L77-2002-05	CRYSTAL RESONATOR	KR1E1	R75,76			RK73GB2A473J	CHIP R 47K J 1/10W	M1X1K1
AB	2C		N86-3006-48	BINDING HEAD TAPTITE SCREW		R77			RK73FB2B472J	CHIP R 4.7K J 1/8W	E3
R1			RK73GB2A103J	CHIP R 10K J 1/10W		R77			RK73FB2B472J	CHIP R 4.7K J 1/8W	M1X1K1
R2			RK73GB2A100J	CHIP R 10 J 1/10W	K1E3	R77			RK73FB2B472J	CHIP R 4.7K J 1/8W	E3
R3			RK73EB2E272J	CHIP R 2.7K J 1/4W		R78,79			RK73GB2A473J	CHIP R 47K J 1/10W	M1X1K1
R4			RK73GB2A102J	CHIP R 1.0K J 1/10W		R80			RK73FB2B472J	CHIP R 4.7K J 1/8W	E3
R5			RK73GB2A100J	CHIP R 10 J 1/10W	K1E3	R80			RK73FB2B472J	CHIP R 4.7K J 1/8W	M1X1K1
R6			RK73GB2A473J	CHIP R 47K J 1/10W		R81			RK73GB2A472J	CHIP R 4.7K J 1/10W	E3
R7			RK73GB2A103J	CHIP R 10K J 1/10W		R81			RK73GB2A472J	CHIP R 4.7K J 1/10W	M1X1K1
R8			RK73EB2E103J	CHIP R 10K J 1/4W		R82			RK73EB2E152J	CHIP R 1.5K J 1/4W	E3
R9			RK73GB2A473J	CHIP R 47K J 1/10W		R82			RK73EB2E152J	CHIP R 1.5K J 1/4W	M1X1K1
R10			RK73EB2E272J	CHIP R 2.7K J 1/4W		R83			RK73GB2A621J	CHIP R 620 J 1/10W	E3
R11			RK73GB2A102J	CHIP R 1.0K J 1/10W		R83			RK73GB2A621J	CHIP R 620 J 1/10W	M1X1K1
R12			RK73EB2E102J	CHIP R 1.0K J 1/4W		R84			RK73GB2A242J	CHIP R 2.4K J 1/10W	E3
R13			RK73GB2A104J	CHIP R 100K J 1/10W		R84			RK73GB2A242J	CHIP R 2.4K J 1/10W	M1X1K1
R14,15			RK73GB2A103J	CHIP R 10K J 1/10W		R84			RK73GB2A242J	CHIP R 2.4K J 1/10W	E3
R16			RK73GB2A822J	CHIP R 8.2K J 1/10W		R84		*	RK73GB2A242J	CHIP R 2.4K J 1/10W	M1X1K1
R19			RK73GB2A683J	CHIP R 68K J 1/10W		R85,86		*	RK73PB2H2R0J	CHIP R 2.0 J 1/2W	E3
R21			RK73GB2A393J	CHIP R 39K J 1/10W		R85,86		*	RK73PB2H2R0J	CHIP R 2.0 J 1/2W	M1X1K1
R22			RK73GB2A104J	CHIP R 100K J 1/10W		R87			RK73GB2A124J	CHIP R 120K J 1/10W	E3
						R87			RK73GB2A124J	CHIP R 120K J 1/10W	M1X1K1
						R88			RK73GB2A103J	CHIP R 10K J 1/10W	E3
						R88			RK73GB2A103J	CHIP R 10K J 1/10W	M1X1K1
						R89			RK73GB2A473J	CHIP R 47K J 1/10W	E3
						R89			RK73GB2A473J	CHIP R 47K J 1/10W	M1X1K1
						R89			RK73GB2A473J	CHIP R 47K J 1/10W	M1X1K1
						R91			RK73GB2A472J	CHIP R 4.7K J 1/10W	E3

K : DDX7019 K1 : DNX7100 (North America)
 E1 : DDX7029 E2 : DDX7029Y E3 : DNX7200 (Europe)
 X1 : DDX7039 (Australia) R1 : DDX7039 (Latin America)
 M1 : DDX7039 (Other Areas)

△ Indicates safety critical components.

PARTS LIST

ELECTRIC UNIT (X34-477x-xx)

Ref. No.	Ad	New	Parts No.	Description	Destination	Ref. No.	Ad	New	Parts No.	Description	Destination
R91			RK73GB2A472J	CHIP R 4.7K J 1/10W	M1X1K1	R166			RK73GB2A101J	CHIP R 100 J 1/10W	
R92			RK73EB2E152J	CHIP R 1.5K J 1/4W	E3	R167			RK73GB2A103J	CHIP R 10K J 1/10W	
R92			RK73EB2E152J	CHIP R 1.5K J 1/4W	M1X1K1	R168-177			RK73GB2A101J	CHIP R 100 J 1/10W	
R93			RK73GB2A621J	CHIP R 620 J 1/10W	E3	R178			RK73GB2A471J	CHIP R 470 J 1/10W	
R93			RK73GB2A621J	CHIP R 620 J 1/10W	M1X1K1	R179,180			RK73GB2A104J	CHIP R 100K J 1/10W	
R94			RK73GB2A242J	CHIP R 2.4K J 1/10W	E3	R181-184			RK73GB2A473J	CHIP R 47K J 1/10W	
R94			RK73GB2A242J	CHIP R 2.4K J 1/10W	M1X1K1	R185			RK73GB2A472J	CHIP R 4.7K J 1/10W	
R95,96		*	RK73PB2H2R0J	CHIP R 2.0 J 1/2W	E3	R186-188			RK73GB2A104J	CHIP R 100K J 1/10W	
R95,96		*	RK73PB2H2R0J	CHIP R 2.0 J 1/2W	M1X1K1	R189,190			RK73GB2A473J	CHIP R 47K J 1/10W	
R97			RK73GB2A124J	CHIP R 120K J 1/10W	E3	R191,192			RK73GB2A101J	CHIP R 100 J 1/10W	
R97			RK73GB2A124J	CHIP R 120K J 1/10W	M1X1K1	R193			RK73GB2A103J	CHIP R 10K J 1/10W	
R98			RK73GB2A103J	CHIP R 10K J 1/10W	E3	R194,195			RK73GB2A101J	CHIP R 100 J 1/10W	
R98			RK73GB2A103J	CHIP R 10K J 1/10W	M1X1K1	R197			RK73GB2A472J	CHIP R 4.7K J 1/10W	
R99			RK73GB2A473J	CHIP R 47K J 1/10W	E3	R200			RK73GB2A104J	CHIP R 100K J 1/10W	
R99			RK73GB2A473J	CHIP R 47K J 1/10W	M1X1K1	R201			RK73EB2E2R2J	CHIP R 2.2 J 1/4W	
R102			RK73GB2A472J	CHIP R 4.7K J 1/10W		R204			RK73GB2A104J	CHIP R 100K J 1/10W	
R103-106			RK73GB2A473J	CHIP R 47K J 1/10W		R205			RK73GB2A102J	CHIP R 1.0K J 1/10W	
R107			RK73GB2A101J	CHIP R 100 J 1/10W		R206,207			RK73GB2A103J	CHIP R 10K J 1/10W	
R108			RK73GB2A471J	CHIP R 470 J 1/10W		R208,209			RK73GB2A101J	CHIP R 100 J 1/10W	
R109-112			RK73GB2A101J	CHIP R 100 J 1/10W		R210,211			RK73GB2A102J	CHIP R 1.0K J 1/10W	
R113			RK73GB2A473J	CHIP R 47K J 1/10W		R212-215			RK73GB2A000J	CHIP R 0.0 J 1/10W	
R114-117			RK73GB2A101J	CHIP R 100 J 1/10W		R216-219			RK73GB2A101J	CHIP R 100 J 1/10W	
R118			RK73GB2A223J	CHIP R 22K J 1/10W		R220,221			RK73GB2A331J	CHIP R 330 J 1/10W	
R119-122			RK73GB2A473J	CHIP R 47K J 1/10W		R222			RK73GB2A000J	CHIP R 0.0 J 1/10W	
R123			RK73GB2A104J	CHIP R 100K J 1/10W		R251			RK73GB2A223J	CHIP R 22K J 1/10W	
R124-126			RK73GB2A473J	CHIP R 47K J 1/10W		R252			RK73GB2A102J	CHIP R 1.0K J 1/10W	
R127,128			RK73GB2A101J	CHIP R 100 J 1/10W		R253			RK73GB2A000J	CHIP R 0.0 J 1/10W	
R129-131			RK73GB2A103J	CHIP R 10K J 1/10W		R255-257			RK73GB2A222J	CHIP R 2.2K J 1/10W	E2M1K1
R132			RK73GB2A000J	CHIP R 0.0 J 1/10W		R255-257			RK73GB2A222J	CHIP R 2.2K J 1/10W	E3
R133			RK73GB2A153J	CHIP R 15K J 1/10W		R255-257			RK73GB2A222J	CHIP R 2.2K J 1/10W	KR1E1
R134			RK73GB2A102J	CHIP R 1.0K J 1/10W		R301			RK73GB2A333J	CHIP R 33K J 1/10W	
R135-139			RK73GB2A101J	CHIP R 100 J 1/10W		R302			RK73GB2A272J	CHIP R 2.7K J 1/10W	
R140			RK73GB2A473J	CHIP R 47K J 1/10W		R303			RK73GB2A221J	CHIP R 220 J 1/10W	
R141			RK73GB2A102J	CHIP R 1.0K J 1/10W		R304			RK73GB2A223J	CHIP R 22K J 1/10W	
R142-147			RK73GB2A101J	CHIP R 100 J 1/10W		R305			RK73GB2A432J	CHIP R 4.3K J 1/10W	
R148,149			RK73GB2A103J	CHIP R 10K J 1/10W		R306			RK73GB2A100J	CHIP R 10 J 1/10W	
R150-152			RK73GB2A473J	CHIP R 47K J 1/10W		R307			RK73GB2A331J	CHIP R 330 J 1/10W	
R153-155			RK73GB2A103J	CHIP R 10K J 1/10W	X1	R308-311			RK73GB2A470J	CHIP R 47 J 1/10W	
R154			RK73GB2A103J	CHIP R 10K J 1/10W	K1E3	R313			RK73GB2A000J	CHIP R 0.0 J 1/10W	E1E2E3
R154,155			RK73GB2A103J	CHIP R 10K J 1/10W	E2M1	R355			RK73FB2B101J	CHIP R 100 J 1/8W	
R154,155			RK73GB2A103J	CHIP R 10K J 1/10W	KR1E1	R356			RK73GB2A471J	CHIP R 470 J 1/10W	
R157			RK73GB2A103J	CHIP R 10K J 1/10W	KM1K1	R357			RK73GB2A223J	CHIP R 22K J 1/10W	
R157			RK73GB2A303J	CHIP R 30K J 1/10W	X1	R358,359			RK73GB2A103J	CHIP R 10K J 1/10W	
R157			RK73GB2A332J	CHIP R 3.3K J 1/10W	E1E2E3	R360			RK73GB2A223J	CHIP R 22K J 1/10W	
R159-161			RK73GB2A103J	CHIP R 10K J 1/10W	E3	R361			RK73FB2B101J	CHIP R 100 J 1/8W	
R159,160			RK73GB2A103J	CHIP R 10K J 1/10W	K1	R362			RK73GB2A471J	CHIP R 470 J 1/10W	
R160			RK73GB2A103J	CHIP R 10K J 1/10W	K	R363			RK73FB2B101J	CHIP R 100 J 1/8W	
R160,161			RK73GB2A103J	CHIP R 10K J 1/10W	M1X1	R364			RK73GB2A471J	CHIP R 470 J 1/10W	
R160,161			RK73GB2A103J	CHIP R 10K J 1/10W	R1E1E2	R365			RK73GB2A223J	CHIP R 22K J 1/10W	
R162			RK73GB2A101J	CHIP R 100 J 1/10W		R365,367			RK73GB2A103J	CHIP R 10K J 1/10W	
R163			RK73GB2A102J	CHIP R 1.0K J 1/10W		R368			RK73GB2A223J	CHIP R 22K J 1/10W	
R164			RK73GB2A222J	CHIP R 2.2K J 1/10W	X1	R369			RK73FB2B101J	CHIP R 100 J 1/8W	
R164,165			RK73GB2A222J	CHIP R 2.2K J 1/10W	E2M1K1	R370			RK73GB2A471J	CHIP R 470 J 1/10W	
R164,165			RK73GB2A222J	CHIP R 2.2K J 1/10W	E3	R371			RK73FB2B101J	CHIP R 100 J 1/8W	
R164,165			RK73GB2A222J	CHIP R 2.2K J 1/10W	KR1E1	R372			RK73GB2A471J	CHIP R 470 J 1/10W	

K : DDX7019 K1 : DNX7100 (North America)
 E1 : DDX7029 E2 : DDX7029Y E3 : DNX7200 (Europe)
 X1 : DDX7039 (Australia) R1 : DDX7039 (Latin America)
 M1 : DDX7039 (Other Areas)

△ Indicates safety critical components.

PARTS LIST

ELECTRIC UNIT (X34-477x-xx)

Ref. No.	Add	New	Parts No.	Description	Destination	Ref. No.	Add	New	Parts No.	Description	Destination
R373			RK73GB2A223J	CHIP R 22K J 1/10W		IC201			E-TDA7415CB	ANALOGUE IC	
R374,375			RK73GB2A103J	CHIP R 10K J 1/10W		IC202,203			TC4052BFT	MOS-IC	
R376			RK73GB2A223J	CHIP R 22K J 1/10W		IC251			E-TDA7479AD	ANALOGUE IC	E2M1K1
R377			RK73FB2B101J	CHIP R 100 J 1/8W		IC251			E-TDA7479AD	ANALOGUE IC	E3
R378			RK73GB2A471J	CHIP R 470 J 1/10W		IC251			E-TDA7479AD	ANALOGUE IC	KR1E1
R379			RK73FB2B101J	CHIP R 100 J 1/8W		IC301			E-TDA7850A	ANALOGUE IC	
R380			RK73GB2A471J	CHIP R 470 J 1/10W		Q1			DTC143EUA	DIGITAL TRANSISTOR	
R381			RK73GB2A223J	CHIP R 22K J 1/10W		Q2			2SA1576A	TRANSISTOR	
R382,383			RK73GB2A103J	CHIP R 10K J 1/10W		Q3			DTC124EUA	DIGITAL TRANSISTOR	
R384			RK73GB2A223J	CHIP R 22K J 1/10W		Q4			2SC4081	TRANSISTOR	
R385			RK73FB2B101J	CHIP R 100 J 1/8W		Q6			2SC4081	TRANSISTOR	
R386			RK73GB2A471J	CHIP R 470 J 1/10W		Q7			2SB1188(Q,R)	TRANSISTOR	
R401-403		*	RK73EB2E432J	CHIP R 4.3K J 1/4W		Q8			2SA1576A	TRANSISTOR	
R404,405			RK73EB2E101J	CHIP R 100 J 1/4W		Q9			DTA114EUA	DIGITAL TRANSISTOR	
R406,407		*	RK73EB2E432J	CHIP R 4.3K J 1/4W		Q10			DTC114YUA	DIGITAL TRANSISTOR	
R408			RK73EB2E101J	CHIP R 100 J 1/4W		Q11			2SB1188(R)	TRANSISTOR	KR1X1
R409			RK73EB2E100J	CHIP R 10 J 1/4W		Q11			2SB1188(R)	TRANSISTOR	K1
R410			RK73EB2E4R7J	CHIP R 4.7 J 1/4W		Q12			2SC4081	TRANSISTOR	KR1X1
R411			RK73EB2E100J	CHIP R 10 J 1/4W		Q12			2SC4081	TRANSISTOR	K1
R502			RK73EB2E000J	CHIP R 0.0 J 1/4W		Q13			2SA1576A	TRANSISTOR	
R504			RK73GB2A000J	CHIP R 0.0 J 1/10W		Q51			2SB1565(E,F)	TRANSISTOR	
D1			RM10ZLFNF	DIODE		Q52			2SC4081	TRANSISTOR	
D2-4			DAN202U	DIODE		Q53			2SB1689	TRANSISTOR	
D5			UDZS6.2B	ZENER DIODE		Q54			DTC124EUA	DIGITAL TRANSISTOR	
D6			UDZS6.8B	ZENER DIODE		Q70			DTC124EUA	DIGITAL TRANSISTOR	
D7			DAP202U	DIODE		Q71			2SB1565(E,F)	TRANSISTOR	
D8			UDZS6.8B	ZENER DIODE		Q72			DTA124EUA	DIGITAL TRANSISTOR	
D9			DAP202U	DIODE		Q81			DTC114TUA	DIGITAL TRANSISTOR	E3
D10-13			1SR154-400	DIODE		Q81			DTC114TUA	DIGITAL TRANSISTOR	M1X1K1
D14			UDZS5.6B	ZENER DIODE		Q82			2SC4081	TRANSISTOR	E3
D15			UDZS4.7B	ZENER DIODE		Q82			2SC4081	TRANSISTOR	M1X1K1
D52			UDZS5.6B	ZENER DIODE		Q83			2SB1443	TRANSISTOR	E3
D53			DA204U	DIODE		Q83			2SB1443	TRANSISTOR	M1X1K1
D81,82			1SR154-400	DIODE	E3	Q84			2SA1576A	TRANSISTOR	E3
D81,82			1SR154-400	DIODE	M1X1K1	Q84			2SA1576A	TRANSISTOR	M1X1K1
D91,92			1SR154-400	DIODE	E3	Q85,86			2SC4081	TRANSISTOR	E3
D91,92			1SR154-400	DIODE	M1X1K1	Q85,86			2SC4081	TRANSISTOR	M1X1K1
D101			DAP202U	DIODE		Q91			DTC114TUA	DIGITAL TRANSISTOR	E3
D201-205			DAP202U	DIODE		Q91			DTC114TUA	DIGITAL TRANSISTOR	M1X1K1
D206			DA204U	DIODE		Q92			2SC4081	TRANSISTOR	E3
D251			IMSA-6801-E	SURGE ABSORBER		Q92			2SC4081	TRANSISTOR	M1X1K1
D252,253			DA204U	DIODE		Q93			2SB1443	TRANSISTOR	E3
D301,302			DAP202U	DIODE		Q93			2SB1443	TRANSISTOR	M1X1K1
D351-358			AVRM1608180M6A	VARIATOR		Q94			2SA1576A	TRANSISTOR	E3
D359-365			DAP202U	DIODE		Q94			2SA1576A	TRANSISTOR	M1X1K1
D401-404			STZ6.8N	ZENER DIODE		Q95,96			2SC4081	TRANSISTOR	E3
D405-407			UDZS6.8B	ZENER DIODE		Q95,96			2SC4081	TRANSISTOR	M1X1K1
D409			DA204U	DIODE		Q101,102			DTC144EUA	DIGITAL TRANSISTOR	
IC71			M5237ML-CF0J	ANALOGUE IC		Q103			DTA114EUA	DIGITAL TRANSISTOR	
IC101		*	703030BYGCJ30	MICROCONTROLLER IC		Q104			DTA114TUA	DIGITAL TRANSISTOR	
IC102			S-80842CNNB-G	MOS-IC		Q105,106			DTC114TUA	DIGITAL TRANSISTOR	
IC104			TC7SET08FU-F	MOS-IC		Q107		*	RT1N440M	TRANSISTOR	
IC105			BU2090FS	MOS-IC		Q108			2SC4081	TRANSISTOR	
IC106			TC74VHCT08AFT	MOS-IC		Q251			DTC124EUA	DIGITAL TRANSISTOR	
						Q252			2SB1689	TRANSISTOR	

K : DDX7019 K1 : DNX7100 (North America)
E1 : DDX7029 E2 : DDX7029Y E3 : DNX7200 (Europe)
X1 : DDX7039 (Australia) R1 : DDX7039 (Latin America)
M1 : DDX7039 (Other Areas)

△ Indicates safety critical components.

PARTS LIST

ELECTRIC UNIT (X34-477x-xx)

Ref. No.	Add	New	Parts No.	Description	Destination
Q351			DTC323TU	DIGITAL TRANSISTOR	
Q352			DTA144EUA	DIGITAL TRANSISTOR	
Q353-356			DTC323TU	DIGITAL TRANSISTOR	
Q357			DTA144EUA	DIGITAL TRANSISTOR	
Q358,359			DTC323TU	DIGITAL TRANSISTOR	
Q360			DTA144EUA	DIGITAL TRANSISTOR	
Q361			DTC323TU	DIGITAL TRANSISTOR	
TH301			PRF18BE471QB2	POSITIVE RESISTOR	
A251		*	X86-4080-11	FRONT-END UNIT	KR1X1
A251		*	X86-4080-11	FRONT-END UNIT	K1
A251		*	X86-4082-70	FRONT-END UNIT	E1E2M1
A251		*	X86-4082-70	FRONT-END UNIT	E3
VIDEO UNIT (X35-4730-10)					
C1,2			CK73DF1E106Z	CHIP C 10UF Z	
C3-6			CK73GB1H103K	CHIP C 0.010UF K	
C7,8			CK73GB0J225K	CHIP C 2.2UF K	
C9			CK73GB1A474K	CHIP C 0.47UF K	
C10			CK73GB1E183K	CHIP C 0.018UF K	
C11			CK73GB1H152K	CHIP C 1500PF K	
C12			CK73GB0J225K	CHIP C 2.2UF K	
C13			CK73GB1H103K	CHIP C 0.010UF K	
C14,15			CK73GB1H473K	CHIP C 0.047UF K	
C16			C93-1383-05	CHIP C 220PF F	
C17			CK73GB1H103K	CHIP C 0.010UF K	
C18-20			CK73DF1E106Z	CHIP C 10UF Z	
C21-24			C93-1283-05	CHIP C 1.0UF K	
C25			C93-1270-05	CHIP C 3300PF K	
C26			C93-1273-05	CHIP C 15PF J	
C27			C93-1278-05	CHIP C 0.018UF K	
C101			CK73FB0J106K	CHIP C 10UF K	
C102			CK73GB1H103K	CHIP C 0.010UF K	
C103			CK73GB1H104K	CHIP C 0.10UF K	
C104			CK73GB1H103K	CHIP C 0.010UF K	
C106			CK73FB1E154K	CHIP C 0.15UF K	
C107			CK73GB1H104K	CHIP C 0.10UF K	
C108			CK73GB1C224K	CHIP C 0.22UF K	
C109			CC73GCH1H151J	CHIP C 150PF J	
C110			CK73EB1E225K	CHIP C 2.2UF K	
C111			CK73FB1C105K	CHIP C 1.0UF K	
C112			CE32AU1C220M	CHIP EL 22UF 16WV	
C114			CK73GB1H103K	CHIP C 0.010UF K	
C116			CK73EB1C106K	CHIP C 10UF K	
C117			CK73GB1H103K	CHIP C 0.010UF K	
C120-122			CK73GB1H104K	CHIP C 0.10UF K	
C123			CC73GCH1H102J	CHIP C 1000PF J	
C303			CC73GCH1H100D	CHIP C 10PF D	
C304			CC73GCH1H271J	CHIP C 270PF J	
C306			CC73GCH1H100D	CHIP C 10PF D	
C307			CC73GCH1H101J	CHIP C 100PF J	
C308			CK73GB1H104K	CHIP C 0.10UF K	
C309			CK73EB1C106K	CHIP C 10UF K	
C310			CK73GB1H103K	CHIP C 0.010UF K	
C312			CK73GB1H333K	CHIP C 0.033UF K	
C313			CK73DF1E106Z	CHIP C 10UF Z	

Ref. No.	Add	New	Parts No.	Description	Destination
C314			CK73GB1H104K	CHIP C 0.10UF K	
C315			CK73GB1H103K	CHIP C 0.010UF K	
C316			CK73FB0J106K	CHIP C 10UF K	
C317,318			CK73GB1H103K	CHIP C 0.010UF K	
C319			CC73GCH1H390J	CHIP C 39PF J	
C320			CK73GB1H104K	CHIP C 0.10UF K	
C321,322			CK73GB1H103K	CHIP C 0.010UF K	
C323			CC73GCH1H390J	CHIP C 39PF J	
C324			CK73GB1H103K	CHIP C 0.010UF K	
C326,327			CK73GB1H104K	CHIP C 0.10UF K	
C328			CK73GB1H103K	CHIP C 0.010UF K	
C329			CK73EB1C106K	CHIP C 10UF K	
C330			CK73GB1H104K	CHIP C 0.10UF K	
C331			CC73GCH1H330J	CHIP C 33PF J	
C332-334			CK73GB1H103K	CHIP C 0.010UF K	
C335			CC73GCH1H681J	CHIP C 680PF J	
C336,337			CK73GB1H104K	CHIP C 0.10UF K	
C338			CC73GCH1E102J	CHIP C 1000PF J	
C339			CC73GCH1H101J	CHIP C 100PF J	
C340,341			CK73GB1H104K	CHIP C 0.10UF K	
C342			CC73GCH1H101J	CHIP C 100PF J	
C343			CK73EB1E105K	CHIP C 1.0UF K	
C344,345			CK73FB0J106K	CHIP C 10UF K	
C346			CK73FB1C105K	CHIP C 1.0UF K	
C350			CC73GCH1H101J	CHIP C 100PF J	
C351			CK73FB1C105K	CHIP C 1.0UF K	
C353		*	CK73GB0J106M	CHIP C 10UF M	
C356			C93-1389-05	CHIP C 33PF J	
C500,501			CK73GB1H103K	CHIP C 0.010UF K	
C502			CK73FB0J106K	CHIP C 10UF K	
C600			CK73FB0J106K	CHIP C 10UF K	
CN1			E41-2642-05	PIN ASSY	
CN300			E41-2608-05	FLAT CABLE CONNECTOR	
CN301			E41-2208-05	FLAT CABLE CONNECTOR	
CN500			E41-2088-05	FLAT CABLE CONNECTOR	
CN600			E41-2613-05	FLAT CABLE CONNECTOR	
F1			F53-0297-05	FUSE (UL,CSA) 1.6A	
F100			F53-0280-05	FUSE 0.63A	
L1			L33-2316-05	CHOKE COIL	
L2		*	L19-0802-05	TRANSFORMER FOR CONVERTER	
L100			L41-4792-13	SMALL FIXED INDUCTOR (4.7UH)	
L101			L41-1005-33	SMALL FIXED INDUCTOR (10U)	
L102,103			L41-3392-13	SMALL FIXED INDUCTOR (3.3UH)	
L104,105			L41-1005-33	SMALL FIXED INDUCTOR (10U)	
L106			L33-2316-05	CHOKE COIL	
L300,301			L41-1005-33	SMALL FIXED INDUCTOR (10U)	
L302			L41-5695-33	SMALL FIXED INDUCTOR (5.6U)	
L303			L41-8281-15	SMALL FIXED INDUCTOR (0.82U)	
L501			L41-1005-33	SMALL FIXED INDUCTOR (10U)	
L600			L41-1005-33	SMALL FIXED INDUCTOR (10U)	
CP301,302			RK74GB1J102J	CHIP-COM 1.0K J 1/16W	
CP303			RK74GB1J101J	CHIP-COM 100 J 1/16W	
R1			RK73FB2B152J	CHIP R 1.5K J 1/8W	

K : DDX7019 K1 : DNX7100 (North America)
E1 : DDX7029 E2 : DDX7029Y E3 : DNX7200 (Europe)
X1 : DDX7039 (Australia) R1 : DDX7039 (Latin America)
M1 : DDX7039 (Other Areas)

△ Indicates safety critical components.

PARTS LIST

VIDEO UNIT (X35-4730-10)

Ref. No.	Add	New	Parts No.	Description	Destination	Ref. No.	Add	New	Parts No.	Description	Destination
R2,3			RK73GB2A000J	CHIP R 0.0 J 1/10W		R348			RK73GB2A102J	CHIP R 1.0K J 1/10W	
R5			RK73GB2A153J	CHIP R 15K J 1/10W		R349			RK73GB2A000J	CHIP R 0.0 J 1/10W	
R7			RK73GB2A222J	CHIP R 2.2K J 1/10W		R350			RK73GB2A100J	CHIP R 10 J 1/10W	
R8			RK73GB2A220J	CHIP R 22 J 1/10W		R352			RK73GB2A102J	CHIP R 1.0K J 1/10W	
R9			RK73GH2A433D	CHIP R 43K D 1/10W		R353,354			RK73GH2A472D	CHIP R 4.7K D 1/10W	
R10			RK73GB2A220J	CHIP R 22 J 1/10W		R355			RK73GH2A473D	CHIP R 47K D 1/10W	
R11			RK73GB2A515J	CHIP R 5.1M J 1/10W		R356			RK73GH2A683D	CHIP R 68K D 1/10W	
R12			RK73GH2A513D	CHIP R 51K D 1/10W		R357			RK73GH2A153D	CHIP R 15K D 1/10W	
R13			RK73GB2A104J	CHIP R 100K J 1/10W		R358,359			RK73GB2A102J	CHIP R 1.0K J 1/10W	
R14		*	RK73GH2A164D	CHIP R 160K D 1/10W		R360			RK73GH2A101D	CHIP R 100 D 1/10W	
R15			RK73GB2A472J	CHIP R 4.7K J 1/10W		R361			RK73GH2A331D	CHIP R 330 D 1/10W	
R16			RK73GB2A105J	CHIP R 1.0M J 1/10W		R362			RK73GH2A683D	CHIP R 68K D 1/10W	
R17			RK73GB2A512J	CHIP R 5.1K J 1/10W		R363			RK73GH2A182D	CHIP R 1.8K D 1/10W	
R18			RK73GH2A563D	CHIP R 56K D 1/10W		R364			RK73GH2A332D	CHIP R 3.3K D 1/10W	
R19			RK73GH2A754D	CHIP R 750K D 1/10W		R365			RK73GB2A105J	CHIP R 1.0M J 1/10W	
R20			RK73GB2A512J	CHIP R 5.1K J 1/10W		R367			RK73GB2A102J	CHIP R 1.0K J 1/10W	
R21-24			RK73GB2A220J	CHIP R 22 J 1/10W		R368-371			RK73GB2A101J	CHIP R 100 J 1/10W	
R25			RK73GH2A471D	CHIP R 470 D 1/10W		R372			RK73GH2A153D	CHIP R 15K D 1/10W	
R27			RK73GH2A103D	CHIP R 10K D 1/10W		R373			RK73GB2A300J	CHIP R 30 J 1/10W	
R101			RK73GH2A184D	CHIP R 180K D 1/10W		R374-377			RK73GB2A101J	CHIP R 100 J 1/10W	
R102			RK73GH2A133D	CHIP R 13K D 1/10W		R378			RK73GB2A102J	CHIP R 1.0K J 1/10W	
R103			RK73GH2A104D	CHIP R 100K D 1/10W		R379,380			RK73GB2A101J	CHIP R 100 J 1/10W	
R104			RK73GH2A113D	CHIP R 11K D 1/10W		R381			RK73GB2A133J	CHIP R 13K J 1/10W	
R105			RK73GB2A473J	CHIP R 47K J 1/10W		R383			RK73GB2A562J	CHIP R 5.6K J 1/10W	
R106			RK73GB2A000J	CHIP R 0.0 J 1/10W		R384			RK73GB2A473J	CHIP R 47K J 1/10W	
R107			RK73EB2E000J	CHIP R 0.0 J 1/4W		R385			RK73GB2A820J	CHIP R 82 J 1/10W	
R108			RK73GB2A102J	CHIP R 1.0K J 1/10W		R386			RK73GB2A912J	CHIP R 9.1K J 1/10W	
R109			RK73GB2A103J	CHIP R 10K J 1/10W		R387			RK73GB2A202J	CHIP R 2.0K J 1/10W	
R110			RK73GB2A754J	CHIP R 750K J 1/10W		R389			RK73GB2A562J	CHIP R 5.6K J 1/10W	
R111			RK73GB2A222J	CHIP R 2.2K J 1/10W		R390-397			RK73GB2A000J	CHIP R 0.0 J 1/10W	
R113			RK73GB2A100J	CHIP R 10 J 1/10W		R400,401			RK73GB2A000J	CHIP R 0.0 J 1/10W	
R300-302			RK73GB2A000J	CHIP R 0.0 J 1/10W		R500,501			RK73GB2A333J	CHIP R 33K J 1/10W	
R303,304			RK73EB2E101J	CHIP R 100 J 1/4W		R504-507			RK73EB2E100J	CHIP R 10 J 1/4W	
R305			RK73GB2A220J	CHIP R 22 J 1/10W		R600-603			RK73EB2E101J	CHIP R 100 J 1/4W	
R307			RK73GB2A101J	CHIP R 100 J 1/10W		R604			RK73EB2E100J	CHIP R 10 J 1/4W	
R308			RK73GB2A000J	CHIP R 0.0 J 1/10W		R605			RK73EB2E121J	CHIP R 120 J 1/4W	
R310			RK73GB2A101J	CHIP R 100 J 1/10W		R606			RK73EB2E101J	CHIP R 100 J 1/4W	
R312			RK73GB2A220J	CHIP R 22 J 1/10W		R607			RK73GB2A302J	CHIP R 3.0K J 1/10W	
R314-317			RK73GB2A000J	CHIP R 0.0 J 1/10W		R608			RK73GB2A512J	CHIP R 5.1K J 1/10W	
R318			RK73GB2A621J	CHIP R 620 J 1/10W		R609			RK73GB2A103J	CHIP R 10K J 1/10W	
R320			RK73GB2A102J	CHIP R 1.0K J 1/10W		R610			RK73GB2A303J	CHIP R 30K J 1/10W	
R322			RK73GB2A102J	CHIP R 1.0K J 1/10W		R611-613			RK73GB2A681J	CHIP R 680 J 1/10W	
R323			RK73GB2A561J	CHIP R 560 J 1/10W		R614			RK73FB2B132J	CHIP R 1.3K J 1/8W	
R326			RK73GB2A221J	CHIP R 220 J 1/10W		R620			RK73GB2A101J	CHIP R 100 J 1/10W	
R328			RK73GB2A102J	CHIP R 1.0K J 1/10W		VR100			R32-0328-05	SEMI FIXED VARIABLE RESISTOR	
R333			RK73GB2A103J	CHIP R 10K J 1/10W		D1			UDZS5.6B	ZENER DIODE	
R334			RK73GB2A102J	CHIP R 1.0K J 1/10W		D2			AVRM1608120M6A	VARIATOR	
R335			RK73GB2A100J	CHIP R 10 J 1/10W		D3,4			1SS355	DIODE	
R336			RK73GB2A102J	CHIP R 1.0K J 1/10W		D5			UDZS5.6B	ZENER DIODE	
R337			RK73GB2A103J	CHIP R 10K J 1/10W		D6			MA2S784-F	DIODE	
R338,339			RK73GB2A202J	CHIP R 2.0K J 1/10W		D7			UDZS5.6B	ZENER DIODE	
R340			RK73GB2A102J	CHIP R 1.0K J 1/10W		D8,9			DA204U	DIODE	
R343			RK73GB2A100J	CHIP R 10 J 1/10W		D100			EP05Q06	DIODE	
R345			RK73GB2A101J	CHIP R 100 J 1/10W		D101-103			EP05Q04	DIODE	
R347			RK73GH2A472D	CHIP R 4.7K D 1/10W		D303			UDZS3.9B	ZENER DIODE	

K : DDX7019 K1 : DNX7100 (North America)
E1 : DDX7029 E2 : DDX7029Y E3 : DNX7200 (Europe)
X1 : DDX7039 (Australia) R1 : DDX7039 (Latin America)
M1 : DDX7039 (Other Areas)

△ Indicates safety critical components.

PARTS LIST

VIDEO UNIT (X35-4730-10)

Ref. No.	Ad	New	Parts No.	Description	Destination
D305			DA204U	DIODE	
D306			1SV231-F	VARIABLE CAPACITANCE DIODE	
D500-503			UDZS6.2B	ZENER DIODE	
D600-603			AVRM1608120M6A	VARISTOR	
D604			AVRM1608180M6A	VARISTOR	
D605,606			AVRM1608120M6A	VARISTOR	
IC1			OZ964ISN-C	ANALOGUE IC	
IC100			LT1947-PBF	ANALOGUE IC	
IC102			TC7WH123FU-F	MOS-IC	
IC103			TC7SH04FU-F	MOS-IC	
IC300			TC7SET08FU-F	MOS-IC	
IC302			TC200G02G0104	MOS-IC	
IC303			NJM2107F-ZB	ANALOGUE IC	
Q1			2SC4081	TRANSISTOR	
Q2,3			SI5504DC-E3	DUAL FET	
Q4			2SC4081	TRANSISTOR	
Q5			DTC114YUA	DIGITAL TRANSISTOR	
Q302			2SC4081	TRANSISTOR	
Q303			2SC4097	TRANSISTOR	
Q500			DTA123JUA	DIGITAL TRANSISTOR	
Q501			DTC123JUA	DIGITAL TRANSISTOR	
Q502			DTA123JUA	DIGITAL TRANSISTOR	
Q503			DTC123JUA	DIGITAL TRANSISTOR	
Q504			DTC114YUA	DIGITAL TRANSISTOR	

DVD UNIT (X37-1120-03) IN DVD MECHANISM

C3			CK73HB1A104K	CHIP C	0.10UF	K
C4		*	CC73HCH1H471J	CHIP C	470PF	J
C5-7			CK73HB1E103K	CHIP C	0.010UF	K
C8		*	CC73HCH1H471J	CHIP C	470PF	J
C11			CK73HB1E103K	CHIP C	0.010UF	K
C14		*	CK73GB0J106M	CHIP C	10UF	M
C15			CK73HB1A104K	CHIP C	0.10UF	K
C16		*	CK73GB0J106M	CHIP C	10UF	M
C17			CK73GB0J475K	CHIP C	4.7UF	K
C18			CK73FB0J226M	CHIP C	22UF	M
C20		*	CC73HCH1H102J	CHIP C	1000PF	J
C50,51			C93-1228-05	CHIP C	1UF	M
C54			C93-1228-05	CHIP C	1UF	M
C59,60			C93-1228-05	CHIP C	1UF	M
C62			C93-1228-05	CHIP C	1UF	M
C63			CK73FB0J226M	CHIP C	22UF	M
C72			CK73HB1A104K	CHIP C	0.10UF	K
C73		*	CK73GB0J106M	CHIP C	10UF	M
C100-102			CK73HB1A104K	CHIP C	0.10UF	K
C103			C93-1228-05	CHIP C	1UF	M
C104			CK73HB1A104K	CHIP C	0.10UF	K
C105			C93-1228-05	CHIP C	1UF	M
C106,107			CK73HB1A104K	CHIP C	0.10UF	K
C108			C93-1228-05	CHIP C	1UF	M
C109			CK73HB1A104K	CHIP C	0.10UF	K
C110			C93-1228-05	CHIP C	1UF	M
C111			CK73HB1C333K	CHIP C	0.033UF	K
C112,113			CK73HB1A104K	CHIP C	0.10UF	K
C114			CK73GB1H562K	CHIP C	5600PF	K
C115			CK73HB1C183K	CHIP C	0.018UF	K

Ref. No.	Ad	New	Parts No.	Description	Destination
C117			CK73HB1A104K	CHIP C	0.10UF K
C118			CK73HB0J105K	CHIP C	1.0UF K
C119			C93-1228-05	CHIP C	1UF M
C120,121			CK73HB1A104K	CHIP C	0.10UF K
C122,123		*	CK73GB0J106M	CHIP C	10UF M
C126-129			CK73HB1A104K	CHIP C	0.10UF K
C130-133			CC73HCH1H151J	CHIP C	150PF J
C134		*	CC73HCH1H102J	CHIP C	1000PF J
C135,136			C93-1228-05	CHIP C	1UF M
C137,138			CK73HB0J105K	CHIP C	1.0UF K
C139,140			C93-1228-05	CHIP C	1UF M
C142			C93-1228-05	CHIP C	1UF M
C143,144			CC73HCH1H100D	CHIP C	10PF D
C145-149			CK73HB1A104K	CHIP C	0.10UF K
C151,152			C93-1228-05	CHIP C	1UF M
C153,154			CK73HB1A104K	CHIP C	0.10UF K
C158			CK73HB1A104K	CHIP C	0.10UF K
C162			CK73HB1A104K	CHIP C	0.10UF K
C164-169		*	CK73GB0J106M	CHIP C	10UF M
C200-203		*	CK73GB0J106M	CHIP C	10UF M
C207,208			CK73HB1A104K	CHIP C	0.10UF K
C220-223			CK73HB0J105K	CHIP C	1.0UF K
C224			CK73HB1E103K	CHIP C	0.010UF K
C226			CK73FB0J226M	CHIP C	22UF M
C229,230			CK73HB1E103K	CHIP C	0.010UF K
C231		*	CC73HCH1H102J	CHIP C	1000PF J
C250		*	CC73HCH1H102J	CHIP C	1000PF J
C251,252			CC73HCH1H221J	CHIP C	220PF J
C253		*	CC73HCH1H102J	CHIP C	1000PF J
C254,255			CC73HCH1H221J	CHIP C	220PF J
C256			CK73HB1A104K	CHIP C	0.10UF K
C261,262		*	CC73HCH1H331J	CHIP C	330PF J
C263			CK73HB0J105K	CHIP C	1.0UF K
C265			CK73GB1A105K	CHIP C	1.0UF K
C266			CK73HB1C333K	CHIP C	0.033UF K
C267			CK73FB0J226M	CHIP C	22UF M
C270			CK73HB0J105K	CHIP C	1.0UF K
C271		*	CC73HCH1H102J	CHIP C	1000PF J
C272			CK73HB0J105K	CHIP C	1.0UF K
C300,301		*	CC73HCH1H102J	CHIP C	1000PF J
C302		*	CK73GB0J106M	CHIP C	10UF M
C304-306		*	CK73GB0J106M	CHIP C	10UF M
C350,351		*	CC73HCH1H102J	CHIP C	1000PF J
C434		*	CK73GB0J106M	CHIP C	10UF M
C435			CK73HB1E103K	CHIP C	0.010UF K
C441			CK73HB1A104K	CHIP C	0.10UF K
C442-445			CK73FB0J226M	CHIP C	22UF M
C446			CK73HB1A104K	CHIP C	0.10UF K
C448,449			C93-1228-05	CHIP C	1UF M
C450			CK73HB1A104K	CHIP C	0.10UF K
C452			C93-1228-05	CHIP C	1UF M
C454,455			CK73HB1A104K	CHIP C	0.10UF K
C456-458			CK73HB1H682K	CHIP C	6800PF K
C461			CK73HB1H472K	CHIP C	4700PF K
C462			CK73HB1E103K	CHIP C	0.010UF K

K : DDX7019 K1 : DNX7100 (North America)
E1 : DDX7029 E2 : DDX7029Y E3 : DNX7200 (Europe)
X1 : DDX7039 (Australia) R1 : DDX7039 (Latin America)
M1 : DDX7039 (Other Areas)

△ Indicates safety critical components.

PARTS LIST

DVD UNIT (X37-1120-03) IN DVD MECHANISM

Ref. No.	Add	New	Parts No.	Description	Destination	Ref. No.	Add	New	Parts No.	Description	Destination
C464			CK73HBOJ105K	CHIP C 1.0UF K		L7,8		*	L92-0612-05	CHIP FERRITE	
C466			CK73HB1A104K	CHIP C 0.10UF K		L10		*	L33-2281-05	SMALL FIXED INDUCTOR	
C467			CC73HCH1H121J	CHIP C 120PF J		L11		*	L33-2280-05	SMALL FIXED INDUCTOR	
C468,469			CK73HB1A104K	CHIP C 0.10UF K		L12-14			L92-0365-05	CHIP FERRITE	
C470			CK73HB1E103K	CHIP C 0.010UF K		L15		*	L92-0612-05	CHIP FERRITE	
C473			CK73HB1A104K	CHIP C 0.10UF K		L20		*	L92-0617-05	CHIP FERRITE	
C474		*	CC73HCH1H102J	CHIP C 1000PF J		L21		*	L92-0612-05	CHIP FERRITE	
C476			CC73HCH1H101J	CHIP C 100PF J		L22			L92-0838-05	CHIP FERRITE	
C477-479			CK73FB0J226M	CHIP C 22UF M		X1		*	L77-2924-05	CRYSTAL RESONATOR (27MHZ,30PPM)	
C480			CK73HB1A104K	CHIP C 0.10UF K		CP1-9			RK74HB1J470J	CHIP-COM 47 J 1/16W	
C481			CC73HCH1H151J	CHIP C 150PF J		CP36,37			RK74HB1J103J	CHIP-COM 10K J 1/16W	
C482		*	CC73HCH1H471J	CHIP C 470PF J		CP44,45			RK74HB1J330J	CHIP-COM 33 J 1/16W	
C483		*	CC73HCH1H102J	CHIP C 1000PF J		CP54-56			RK74HB1J330J	CHIP-COM 33 J 1/16W	
C484			CK73HB1E103K	CHIP C 0.010UF K		CP57			RK74HB1J820J	CHIP-COM 82 J 1/16W	
C485			CC73HCH1H151J	CHIP C 150PF J		CP58			RK74HB1J330J	CHIP-COM 33 J 1/16W	
C486		*	CC73HCH1H471J	CHIP C 470PF J		CP59-68			RK74HB1J103J	CHIP-COM 10K J 1/16W	
C487		*	CC73HCH1H102J	CHIP C 1000PF J		CP69			RK74HB1J220J	CHIP-COM 22 J 1/16W	
C488			CK73HB1E103K	CHIP C 0.010UF K		CP70-73			RK74HB1J103J	CHIP-COM 10K J 1/16W	
C489			CC73HCH1H151J	CHIP C 150PF J		R1-4			RK73HB1J103J	CHIP R 10K J 1/16W	
C490		*	CC73HCH1H471J	CHIP C 470PF J		R5,6			RK73HH1J123D	CHIP R 12K D 1/16W	
C491		*	CC73HCH1H102J	CHIP C 1000PF J		R10			RK73HB1J163J	CHIP R 16K J 1/16W	
C492			CK73HB1E103K	CHIP C 0.010UF K		R16			RK73HB1J103J	CHIP R 10K J 1/16W	
C493			CC73HCH1H151J	CHIP C 150PF J		R17			RK73HB1J271J	CHIP R 270 J 1/16W	
C494		*	CC73HCH1H471J	CHIP C 470PF J		R19			RK73HB1J301J	CHIP R 300 J 1/16W	
C495		*	CC73HCH1H102J	CHIP C 1000PF J		R21,22			RK73HH1J103D	CHIP R 10K D 1/16W	
C496			CK73HB1E103K	CHIP C 0.010UF K		R24			RK73HB1J4R7J	CHIP R 4.7 J 1/16W	
C497,498			CK73FB0J226M	CHIP C 22UF M		R79			RK73HB1J102J	CHIP R 1.0K J 1/16W	
C504,505			CK73HB1H472K	CHIP C 4700PF K		R80			RK73HB1J220J	CHIP R 22 J 1/16W	
C506,507		*	CC73HCH1H102J	CHIP C 1000PF J		R81			RK73HB1J470J	CHIP R 47 J 1/16W	
C510		*	CC73HCH1H102J	CHIP C 1000PF J		R84,85			RK73HB1J202J	CHIP R 2.0K J 1/16W	
C511		*	CK73GB0J106M	CHIP C 10UF M		R86			RK73HB1J105J	CHIP R 1.0M J 1/16W	
C512			CK73HBOJ105K	CHIP C 1.0UF K		R87			RK73HB1J102J	CHIP R 1.0K J 1/16W	
C513-515			CK73HB1A104K	CHIP C 0.10UF K		R89			RK73HH1J303D	CHIP R 30K D 1/16W	
C516			CK73HB1C333K	CHIP C 0.033UF K		R90			RK73HB1J223J	CHIP R 22K J 1/16W	
C517			CK73HB1E103K	CHIP C 0.010UF K		R91			RK73HB1J470J	CHIP R 47 J 1/16W	
C518,519			CC73HCH1H470J	CHIP C 47PF J		R92			RK73HH1J123D	CHIP R 12K D 1/16W	
C520		*	CC73HCH1H102J	CHIP C 1000PF J		R94			RK73HH1J512D	CHIP R 5.1K D 1/16W	
C521			CK73HBOJ105K	CHIP C 1.0UF K		R111			RK73HB1J220J	CHIP R 22 J 1/16W	
C522			CC73HCH1H151J	CHIP C 150PF J		R112,113			RK73HB1J101J	CHIP R 100 J 1/16W	
C523		*	CC73HCH1H471J	CHIP C 470PF J		R116			RK73HB1J103J	CHIP R 10K J 1/16W	
C524		*	CC73HCH1H102J	CHIP C 1000PF J		R119			RK73HB1J103J	CHIP R 10K J 1/16W	
C525			CK73HB1E103K	CHIP C 0.010UF K		R121			RK73HB1J182J	CHIP R 1.8K J 1/16W	
C526			CC73HCH1H151J	CHIP C 150PF J		R122			RK73HB1J472J	CHIP R 4.7K J 1/16W	
C527		*	CC73HCH1H471J	CHIP C 470PF J		R131			RK73HB1J220J	CHIP R 22 J 1/16W	
C528		*	CC73HCH1H102J	CHIP C 1000PF J		R150,151			RK73HB1J100J	CHIP R 10 J 1/16W	
C529			CK73HB1E103K	CHIP C 0.010UF K		R152,153			RK73HB1J471J	CHIP R 470 J 1/16W	
C530			CK73HBOJ105K	CHIP C 1.0UF K		R154,155			RK73HB1J751J	CHIP R 750 J 1/16W	
CN1			E41-2594-05	FLAT CABLE CONNECTOR		R156,157			RK73HB1J560J	CHIP R 56 J 1/16W	
CN3		*	E41-2596-05	FLAT CABLE CONNECTOR		R158,159			RK73HB1J2R2J	CHIP R 2.2 J 1/16W	
CN6			E41-2603-05	FLAT CABLE CONNECTOR		R162,163			RK73HB1J104J	CHIP R 100K J 1/16W	
CN10		*	E41-2602-05	FLAT CABLE CONNECTOR		R164,165			RK73HH1J101D	CHIP R 100 D 1/16W	
L1			L92-0365-05	CHIP FERRITE		R200-203		*	RK73HH1J201D	CHIP R 200 D 1/16W	
L2-4		*	L92-0612-05	CHIP FERRITE		R204-207		*	RK73HH1J151D	CHIP R 150 D 1/16W	
L5,6		*	L92-0611-05	CHIP FERRITE		R208		*	RK73HB1J4R7J	CHIP R 4.7 J 1/16W	

K : DDX7019 K1 : DNX7100 (North America)
E1 : DDX7029 E2 : DDX7029Y E3 : DNX7200 (Europe)
X1 : DDX7039 (Australia) R1 : DDX7039 (Latin America)
M1 : DDX7039 (Other Areas)

△ Indicates safety critical components.

PARTS LIST

DVD UNIT (X37-1120-03) IN DVD MECHANISM

Ref. No.	Add	New	Parts No.	Description	Destination	Ref. No.	Add	New	Parts No.	Description	Destination
R251			RK73HB1J1R0J	CHIP R 1.0 J 1/16W		R514-517			RK73HB1J220J	CHIP R 22 J 1/16W	
R254		*	RK73HH1J912D	CHIP R 9.1K D 1/16W		R518-522			RK73HB1J103J	CHIP R 10K J 1/16W	
R255		*	RK73HH1J752D	CHIP R 7.5K D 1/16W		R523,524			RK73HB1J4R7J	CHIP R 4.7 J 1/16W	
R256			RK73HH1J331D	CHIP R 330 D 1/16W		R525			RK73HB1J000J	CHIP R 0.0 J 1/16W	
R257		*	RK73HH1J912D	CHIP R 9.1K D 1/16W		R530			RK73HB1J000J	CHIP R 0.0 J 1/16W	
R258		*	RK73HH1J752D	CHIP R 7.5K D 1/16W		R531			RK73HB1J471J	CHIP R 470 J 1/16W	
R259			RK73HH1J331D	CHIP R 330 D 1/16W		R532			RK73HB1J472J	CHIP R 4.7K J 1/16W	
R260		*	RK73HH1J912D	CHIP R 9.1K D 1/16W		R533			RK73HH1J683D	CHIP R 68K D 1/16W	
R261		*	RK73HH1J752D	CHIP R 7.5K D 1/16W		R535-538	*		RK73HH1J821D	CHIP R 820 D 1/16W	
R262			RK73HH1J331D	CHIP R 330 D 1/16W		R539			RK73HB1J4R7J	CHIP R 4.7 J 1/16W	
R263		*	RK73HH1J912D	CHIP R 9.1K D 1/16W		R541	*		RK73HH1J122D	CHIP R 1.2K D 1/16W	
R264		*	RK73HH1J752D	CHIP R 7.5K D 1/16W		R544-559			RK73HB1J2R2J	CHIP R 2.2 J 1/16W	
R265			RK73HH1J331D	CHIP R 330 D 1/16W		R560			RK73HB1J000J	CHIP R 0.0 J 1/16W	
R266,267			RK73HH1J101D	CHIP R 100 D 1/16W		R561,562			RK73HH1J682D	CHIP R 6.8K D 1/16W	
R269			RK73HB1J100J	CHIP R 10 J 1/16W		R563	*		RK73HH1J122D	CHIP R 1.2K D 1/16W	
R275,276			RK73HB1J472J	CHIP R 4.7K J 1/16W		R564			RK73HB1J4R7J	CHIP R 4.7 J 1/16W	
R300,301			RK73HH1J472D	CHIP R 4.7K D 1/16W		R574-576			RK73HB1J000J	CHIP R 0.0 J 1/16W	
R302,303		*	RK73HH1J183D	CHIP R 18K D 1/16W		R583,584	*		RK73HH1J391D	CHIP R 390 D 1/16W	
R304			RK73HH1J202D	CHIP R 2.0K D 1/16W		R588	*		R92-5112-05	CHIP R 4.7 F 1/10W	
R305			RK73HB1J163J	CHIP R 16K J 1/16W		R591			RK73HB1J820J	CHIP R 82 J 1/16W	
R350,351			RK73HB1J4R7J	CHIP R 4.7 J 1/16W		R599,600			RK73HB1J103J	CHIP R 10K J 1/16W	
R400-402			RK73HB1J470J	CHIP R 47 J 1/16W		R601-604			RK73HB1J102J	CHIP R 1.0K J 1/16W	
R409			RK73HB1J470J	CHIP R 47 J 1/16W		R605,606			RK73HB1J103J	CHIP R 10K J 1/16W	
R410,411			RK73HB1J102J	CHIP R 1.0K J 1/16W		R614			RK73HH1J102D	CHIP R 1.0K D 1/16W	
R450			RK73HB1J202J	CHIP R 2.0K J 1/16W		R615			RK73HB1J1R0J	CHIP R 1.0 J 1/16W	
R458			RK73HB1J220J	CHIP R 22 J 1/16W		R617			RK73HB1J000J	CHIP R 0.0 J 1/16W	
R464,465			RK73HH1J101D	CHIP R 100 D 1/16W		R619			RK73HB1J513J	CHIP R 51K J 1/16W	
R467			RK73HB1J470J	CHIP R 47 J 1/16W		R620			RK73HB1J333J	CHIP R 33K J 1/16W	
R468-470			RK73HB1J103J	CHIP R 10K J 1/16W		R621			RK73HB1J103J	CHIP R 10K J 1/16W	
R471			RK73HB1J820J	CHIP R 82 J 1/16W		R622			RK73HB1J333J	CHIP R 33K J 1/16W	
R472,473			RK73HB1J330J	CHIP R 33 J 1/16W		R623			RK73HB1J220J	CHIP R 22 J 1/16W	
R475			R92-3350-05	CHIP R 2.2 F 1/10W		R624-626			RK73HH1J332D	CHIP R 3.3K D 1/16W	
R476		*	R92-5112-05	CHIP R 4.7 F 1/10W		R627			RK73HB1J103J	CHIP R 10K J 1/16W	
R477			RK73GH2A111D	CHIP R 110 D 1/10W		R628,629	*		R92-5147-05	CHIP R 1.2 D 1/4W	
R478			RK73HH1J472D	CHIP R 4.7K D 1/16W		R630,631	*		R92-5146-05	CHIP R 1.0 D 1/4W	
R480			RK73HH1J202D	CHIP R 2.0K D 1/16W		R632	*		RK73HH1J270D	CHIP R 27 D 1/16W	
R481			RK73HH1J203D	CHIP R 20K D 1/16W		R633			RK73HB1J472J	CHIP R 4.7K J 1/16W	
R482-484			RK73HB1J820J	CHIP R 82 J 1/16W		R634			RK73HB1J103J	CHIP R 10K J 1/16W	
R485			RK73HB1J102J	CHIP R 1.0K J 1/16W		R636			RK73HB1J220J	CHIP R 22 J 1/16W	
R486,487			RK73HB1J103J	CHIP R 10K J 1/16W		R638-645			RK73HB1J2R2J	CHIP R 2.2 J 1/16W	
R489			RK73HB1J220J	CHIP R 22 J 1/16W		S1	*		S68-0911-15	PUSH SWITCH	
R491-493			RK73HB1J751J	CHIP R 750 J 1/16W		S2	*		S68-0910-05	PUSH SWITCH	
R496,497			RK73HB1J102J	CHIP R 1.0K J 1/16W		D5,6	*		015AZ5.1-F(Y)	ZENER DIODE	
R498			RK73HB1J101J	CHIP R 100 J 1/16W		D7			1SS402-F	DIODE	
R501		*	RK73HH1J132D	CHIP R 1.3K D 1/16W		IC1	*		MN2DS0016AAUB	MOS-IC	
R502			RK73HH1J333D	CHIP R 33K D 1/16W		IC5	*		-	ROM IC	
R503			RK73HH1J203D	CHIP R 20K D 1/16W		IC9	*		-	ROM IC	
R504			RK73HB1J242J	CHIP R 2.4K J 1/16W		IC10	*		AN41250A-VB	ANALOGUE IC	
R505			RK73HB1J821J	CHIP R 820 J 1/16W		IC12	*		MM1671XNRE	ANALOGUE IC	
R507			RK73HB1J103J	CHIP R 10K J 1/16W		IC15	*		AK4396VF	MOS-IC	
R508			RK73HB1J225J	CHIP R 2.2M J 1/16W		IC21	*		-	MOS-IC	
R509			RK73HB1J102J	CHIP R 1.0K J 1/16W		IC39	*		NJU7042	ANALOGUE IC	
R510			RK73HB1J103J	CHIP R 10K J 1/16W		IC42			TC74VHC273FT	MOS-IC	
R511			RK73HB1J473J	CHIP R 47K J 1/16W		IC49	*		TC7SG04FU-F	MOS-IC	
R512,513			RK73HB1J103J	CHIP R 10K J 1/16W							

K : DDX7019 K1 : DNX7100 (North America)
E1 : DDX7029 E2 : DDX7029Y E3 : DNX7200 (Europe)
X1 : DDX7039 (Australia) R1 : DDX7039 (Latin America)
M1 : DDX7039 (Other Areas)

● IC5, IC21, and IC60 in the DVD unit (X37-1120-03) are not replaceable components. In case of defective of any of these ICs, replace the DVD mechanism assembly.

△ Indicates safety critical components.

PARTS LIST

DVD UNIT (X37-1120-03) IN DVD MECHANISM

Ref. No.	Add	New	Parts No.	Description	Destination	Ref. No.	Add	New	Parts No.	Description	Destination
IC50,51			NJM4580V-ZB	ANALOGUE IC		C337,338			CK73HB1H152K	CHIP C 1500PF K	
IC54		*	IS45S16800TL1	DRAM IC		C340,341		*	CC73HCH1H331J	CHIP C 330PF J	
IC55			TC7WH32FU-F	MOS-IC		C342			CK73HB1E103K	CHIP C 0.010UF K	
IC56		*	HD74LV1GW57AE	MOS-IC		C349			CC73HCH1H020C	CHIP C 2.0PF C	
IC57		*	NJM2573V-ZB	ANALOGUE IC		C351			CK73HB1A104K	CHIP C 0.10UF K	
IC60		*	-	ANALOGUE IC		C352		*	CK73GB0J106M	CHIP C 10UF M	
Q1-4			DTA143XE	DIGITAL TRANSISTOR		C354-357			CK73HB1A104K	CHIP C 0.10UF K	
Q10,11			2SC4617	TRANSISTOR		C358			CC73HCH1H020C	CHIP C 2.0PF C	
Q12,13		*	2SB1709	TRANSISTOR		C360,361			CK73HB1A104K	CHIP C 0.10UF K	
Q14,15			2SK3019	FET		C362		*	CK73GB0J106M	CHIP C 10UF M	
Q20,21			2SK3019	FET		C363			CK73HB1A104K	CHIP C 0.10UF K	
Q24		*	SSM3J15FU-F	FET		C367			CK73HB0J105K	CHIP C 1.0UF K	
Q25			DTA143XE	DIGITAL TRANSISTOR		C368			CK73HB1A104K	CHIP C 0.10UF K	
Q27			DTA143ZE	DIGITAL TRANSISTOR		C375,376			CK73HB1A104K	CHIP C 0.10UF K	
Q28,29			2SA1774	TRANSISTOR		C389			CK73HB1A104K	CHIP C 0.10UF K	
DIGITAL I/O UNIT (X88-2020-12)						C392			CK73HB1A104K	CHIP C 0.10UF K	
C100			CK73HCH1H101J	CHIP C 100PF J		C394,395			CK73HB1A104K	CHIP C 0.10UF K	
C102-105			CK73HB1A104K	CHIP C 0.10UF K		C400,401			CK73HB1A104K	CHIP C 0.10UF K	
C106		*	CK73GB0J106M	CHIP C 10UF M		C456			CK73EB1A106K	CHIP C 10UF K	
C107-110			CK73HB1A104K	CHIP C 0.10UF K		C460			CK73HB1A104K	CHIP C 0.10UF K	
C112			CK73EB0J226K	CHIP C 22UF K		C464			CK73HB1A473K	CHIP C 0.047UF K	
C113		*	C92-1983-05	ELECTRO 100UF 4WV		C468		*	CK73GB0J106M	CHIP C 10UF M	
C114-124			CK73HB1A104K	CHIP C 0.10UF K		C470,471			CK73HB1E103K	CHIP C 0.010UF K	
C125			CC73HCH1H220J	CHIP C 22PF J		C478			CK73HB1A104K	CHIP C 0.10UF K	
C126-130			CK73HB1A104K	CHIP C 0.10UF K		C482			CK73GB1H222K	CHIP C 2200PF K	
C133,134		*	CK73GB0J106M	CHIP C 10UF M		C700-713			CK73HB1H222K	CHIP C 2200PF K	
C135			CK73HB1A104K	CHIP C 0.10UF K		C715			CK73HB1A104K	CHIP C 0.10UF K	
C138,139			CC73HCH1H100D	CHIP C 10PF D		C800			CK73HB1H222K	CHIP C 2200PF K	
C142		*	CE32BN0J221M	CHIP EL 220UF 6.3WV		C801,802			CK73HB1H102K	CHIP C 1000PF K	
C143			CK73HB0J105K	CHIP C 1.0UF K		C803,804			CK73HB1H222K	CHIP C 2200PF K	
C144			CK73HB1A104K	CHIP C 0.10UF K		C805			CK73HB1H102K	CHIP C 1000PF K	
C149			CK73HB1A104K	CHIP C 0.10UF K		CN101		*	E41-2839-05	PIN ASSY	
C153			CK73HB0J105K	CHIP C 1.0UF K		CN210			E41-2195-05	FLAT CABLE CONNECTOR	
C154			CK73HB1A104K	CHIP C 0.10UF K		CN328			E41-2237-05	FLAT CABLE CONNECTOR	
C200			CC73HCH1H220J	CHIP C 22PF J		L101,102			L41-1005-33	SMALL FIXED INDUCTOR (10U)	
C201			CK73HB1A104K	CHIP C 0.10UF K		L103,104			L92-0321-05	CHIP FERRITE	
C202			CC73HCH1H220J	CHIP C 22PF J		L200			L41-1005-33	SMALL FIXED INDUCTOR (10U)	
C203,204			CK73HB1A104K	CHIP C 0.10UF K		L203-205			L41-1005-33	SMALL FIXED INDUCTOR (10U)	
C217-226			CK73HB1A104K	CHIP C 0.10UF K		L212			L41-1005-33	SMALL FIXED INDUCTOR (10U)	
C227,228		*	CK73GB0J106M	CHIP C 10UF M		L301,302			L41-1005-33	SMALL FIXED INDUCTOR (10U)	
C230,231			CK73HB1H102K	CHIP C 1000PF K		L303			L41-6805-33	SMALL FIXED INDUCTOR (68U)	
C233-236			CK73HB1A104K	CHIP C 0.10UF K		L304-310			L41-1005-33	SMALL FIXED INDUCTOR (10U)	
C244		*	CK73GB0J106M	CHIP C 10UF M		X100		*	L77-2941-05	CRYSTAL RESONATOR (14.7456MHZ)	
C247			CK73HB1H102K	CHIP C 1000PF K		X202		*	L77-2917-15	CRYSTAL RESONATOR (32.768KHZ)	
C264			CK73HB1A104K	CHIP C 0.10UF K		CP104-109			RK74HB1J220J	CHIP-COM 22 J 1/16W	
C275		*	CK73GB0J106M	CHIP C 10UF M		CP117-127			RK74HB1J220J	CHIP-COM 22 J 1/16W	
C309-312			CK73HB1A104K	CHIP C 0.10UF K		CP128-134			RK74HB1J103J	CHIP-COM 10K J 1/16W	
C314,315		*	CK73GB0J106M	CHIP C 10UF M		CP135-138			RK74HB1J220J	CHIP-COM 22 J 1/16W	
C316-318			CK73HB1A104K	CHIP C 0.10UF K		CP139-142			RK74HB1J330J	CHIP-COM 33 J 1/16W	
C322-324			CK73HB1A104K	CHIP C 0.10UF K		CP143-146			RK74HB1J680J	CHIP-COM 68 J 1/16W	
C326,327		*	CK73GB0J106M	CHIP C 10UF M		CP147-154			RK74HB1J103J	CHIP-COM 10K J 1/16W	
C329			CC73HCH1H270J	CHIP C 27PF J		CP155-160			RK74HB1J220J	CHIP-COM 22 J 1/16W	
C331		*	CK73GB0J106M	CHIP C 10UF M		CP200-203			RK74HB1J220J	CHIP-COM 22 J 1/16W	
C332			CK73HB1A104K	CHIP C 0.10UF K		CP204-207			RK74HB1J103J	CHIP-COM 10K J 1/16W	
C336		*	CK73GB0J106M	CHIP C 10UF M							

K : DDX7019 K1 : DNX7100 (North America)
E1 : DDX7029 E2 : DDX7029Y E3 : DNX7200 (Europe)
X1 : DDX7039 (Australia) R1 : DDX7039 (Latin America)
M1 : DDX7039 (Other Areas)

△ Indicates safety critical components.

PARTS LIST

DIGITAL I/O UNIT (X88-2020-12)

Ref. No.	Ad	New	Parts No.	Description	Destination
R1,2			RK73HB1J473J	CHIP R 47K J 1/16W	
R3-5			RK73HB1J220J	CHIP R 22 J 1/16W	
R6			RK73HB1J473J	CHIP R 47K J 1/16W	
R7			RK73HB1J472J	CHIP R 4.7K J 1/16W	
R8			RK73HB1J473J	CHIP R 47K J 1/16W	
R9,10			RK73HB1J220J	CHIP R 22 J 1/16W	
R12			RK73HB1J000J	CHIP R 0.0 J 1/16W	
R13			RK73HB1J473J	CHIP R 47K J 1/16W	
R14			RK73HB1J561J	CHIP R 560 J 1/16W	
R15,16			RK73FB2B220J	CHIP R 22 J 1/8W	
R17,18			RK73HB1J153J	CHIP R 15K J 1/16W	
R24			RK73HB1J220J	CHIP R 22 J 1/16W	
R29			RK73HB1J473J	CHIP R 47K J 1/16W	
R30			RK73HB1J472J	CHIP R 4.7K J 1/16W	
R31			RK73HB1J473J	CHIP R 47K J 1/16W	
R33			RK73HB1J473J	CHIP R 47K J 1/16W	
R34-37			RK73FB2B270J	CHIP R 27 J 1/8W	
R104			RK73HB1J330J	CHIP R 33 J 1/16W	
R105			RK73HB1J103J	CHIP R 10K J 1/16W	
R107-109			RK73HB1J103J	CHIP R 10K J 1/16W	
R112			RK73HB1J222J	CHIP R 2.2K J 1/16W	
R115			RK73HB1J222J	CHIP R 2.2K J 1/16W	
R116			RK73HB1J103J	CHIP R 10K J 1/16W	
R118			RK73HB1J103J	CHIP R 10K J 1/16W	
R121			RK73HB1J222J	CHIP R 2.2K J 1/16W	
R123			RK73HB1J222J	CHIP R 2.2K J 1/16W	
R124			RK73HB1J473J	CHIP R 47K J 1/16W	
R126			RK73HB1J473J	CHIP R 47K J 1/16W	
R129			RK73HB1J222J	CHIP R 2.2K J 1/16W	
R130-132			RK73HB1J220J	CHIP R 22 J 1/16W	
R134			RK73HB1J220J	CHIP R 22 J 1/16W	
R137			RK73HB1J472J	CHIP R 4.7K J 1/16W	
R139			RK73HB1J105J	CHIP R 1.0M J 1/16W	
R140			RK73HB1J222J	CHIP R 2.2K J 1/16W	
R141,142			RK73FB2B220J	CHIP R 22 J 1/8W	
R145,146			RK73HB1J153J	CHIP R 15K J 1/16W	
R147			RK73HB1J220J	CHIP R 22 J 1/16W	
R148			RK73HB1J473J	CHIP R 47K J 1/16W	
R149			RK73HB1J472J	CHIP R 4.7K J 1/16W	
R150			RK73HB1J220J	CHIP R 22 J 1/16W	
R153			RK73HB1J000J	CHIP R 0.0 J 1/16W	
R157-163			RK73HB1J220J	CHIP R 22 J 1/16W	
R164,165			RK73HB1J470J	CHIP R 47 J 1/16W	
R166-169			RK73HB1J220J	CHIP R 22 J 1/16W	
R170,171			RK73HB1J330J	CHIP R 33 J 1/16W	
R172,173			RK73HB1J680J	CHIP R 68 J 1/16W	
R174,175			RK73HB1J470J	CHIP R 47 J 1/16W	
R176			RK73HB1J220J	CHIP R 22 J 1/16W	
R177-192			RK73HB1J473J	CHIP R 47K J 1/16W	
R193-198			RK73HB1J220J	CHIP R 22 J 1/16W	
R199			RK73HB1J473J	CHIP R 47K J 1/16W	
R200			RK73HB1J330J	CHIP R 33 J 1/16W	
R201			RK73HB1J000J	CHIP R 0.0 J 1/16W	
R202			RK73HB1J106J	CHIP R 10M J 1/16W	
R203			RK73HB1J334J	CHIP R 330K J 1/16W	

Ref. No.	Ad	New	Parts No.	Description	Destination
R212,213			RK73HB1J100J	CHIP R 10 J 1/16W	
R219-221			RK73HB1J472J	CHIP R 4.7K J 1/16W	
R223			RK73HB1J473J	CHIP R 47K J 1/16W	
R227			RK73HB1J100J	CHIP R 10 J 1/16W	
R248-250			RK73HB1J473J	CHIP R 47K J 1/16W	
R255			RK73HH1J104D	CHIP R 100K D 1/16W	
R258-260			RK73HB1J473J	CHIP R 47K J 1/16W	
R265-271			RK73HB1J472J	CHIP R 4.7K J 1/16W	
R273			RK73HB1J000J	CHIP R 0.0 J 1/16W	
R276			RK73HB1J000J	CHIP R 0.0 J 1/16W	
R284-287			RK73HB1J473J	CHIP R 47K J 1/16W	
R291			RK73HB1J330J	CHIP R 33 J 1/16W	
R292-295			RK73HB1J473J	CHIP R 47K J 1/16W	
R296			RK73HB1J000J	CHIP R 0.0 J 1/16W	
R297			RK73HB1J103J	CHIP R 10K J 1/16W	
R304,305			RK73HB1J103J	CHIP R 10K J 1/16W	
R308			RK73HB1J103J	CHIP R 10K J 1/16W	
R310			RK73HB1J103J	CHIP R 10K J 1/16W	
R316			RK73HB1J473J	CHIP R 47K J 1/16W	
R320-322			RK73HB1J103J	CHIP R 10K J 1/16W	
R324,325			RK73HB1J103J	CHIP R 10K J 1/16W	
R326,327			RK73HB1J822J	CHIP R 8.2K J 1/16W	
R328,329			RK73HB1J472J	CHIP R 4.7K J 1/16W	
R332,333			RK73HB1J151J	CHIP R 150 J 1/16W	
R343			RK73HB1J101J	CHIP R 100 J 1/16W	
R344			RK73HB1J680J	CHIP R 68 J 1/16W	
R345			RK73HB1J152J	CHIP R 1.5K J 1/16W	
R347	*		RK73HH1J100D	CHIP R 10 D 1/16W	
R348			RK73HH1J131D	CHIP R 130 D 1/16W	
R351	*		RK73HH1J100D	CHIP R 10 D 1/16W	
R352			RK73HH1J131D	CHIP R 130 D 1/16W	
R356	*		RK73HH1J100D	CHIP R 10 D 1/16W	
R357			RK73HH1J131D	CHIP R 130 D 1/16W	
R367			RK73HB1J101J	CHIP R 100 J 1/16W	
R368			RK73HB1J272J	CHIP R 2.7K J 1/16W	
R369			RK73HB1J101J	CHIP R 100 J 1/16W	
R370			RK73HB1J272J	CHIP R 2.7K J 1/16W	
R371			RK73HB1J101J	CHIP R 100 J 1/16W	
R372			RK73HB1J272J	CHIP R 2.7K J 1/16W	
R373			RK73HB1J103J	CHIP R 10K J 1/16W	
R376			RK73HB1J222J	CHIP R 2.2K J 1/16W	
R438			RK73HB1J103J	CHIP R 10K J 1/16W	
R440			RK73HB1J103J	CHIP R 10K J 1/16W	
R445			RK73HB1J473J	CHIP R 47K J 1/16W	
R446			RK73HB1J101J	CHIP R 100 J 1/16W	
R447			RK73GB2A515J	CHIP R 5.1M J 1/10W	
R452			RK73HB1J000J	CHIP R 0.0 J 1/16W	
R455			RK73HB1J000J	CHIP R 0.0 J 1/16W	
R458,459			RK73HB1J473J	CHIP R 47K J 1/16W	
R461			RK73HB1J473J	CHIP R 47K J 1/16W	
R462			RK73HB1J561J	CHIP R 560 J 1/16W	
R463-465			RK73HB1J000J	CHIP R 0.0 J 1/16W	
R467			RK73HB1J000J	CHIP R 0.0 J 1/16W	
R472,473			RK73HB1J000J	CHIP R 0.0 J 1/16W	
R478			RK73HB1J000J	CHIP R 0.0 J 1/16W	

K : DDX7019 K1 : DNX7100 (North America)
 E1 : DDX7029 E2 : DDX7029Y E3 : DNX7200 (Europe)
 X1 : DDX7039 (Australia) R1 : DDX7039 (Latin America)
 M1 : DDX7039 (Other Areas)

△ Indicates safety critical components.

PARTS LIST

DIGITAL I/O UNIT (X88-2020-12)

Ref. No.	Add	New	Parts No.	Description	Destination
R481,482			RK73HB1J000J	CHIP R 0.0 J 1/16W	
R485-487			RK73HB1J000J	CHIP R 0.0 J 1/16W	
R494			RK73HB1J000J	CHIP R 0.0 J 1/16W	
R496			RK73HB1J000J	CHIP R 0.0 J 1/16W	
R498			RK73HB1J000J	CHIP R 0.0 J 1/16W	
R500			RK73HB1J000J	CHIP R 0.0 J 1/16W	
R502,503			RK73HB1J000J	CHIP R 0.0 J 1/16W	
R505-507			RK73HB1J000J	CHIP R 0.0 J 1/16W	
R509			RK73HB1J000J	CHIP R 0.0 J 1/16W	
R522			RK73HB1J680J	CHIP R 68 J 1/16W	
R523			RK73HB1J000J	CHIP R 0.0 J 1/16W	
R524			RK73HB1J330J	CHIP R 33 J 1/16W	
R527			RK73HB1J000J	CHIP R 0.0 J 1/16W	
R701			RK73HB1J000J	CHIP R 0.0 J 1/16W	
D102,103			AVRL1613R3FTA	VARIATOR	
D104,105			IMSA-6802-E	SURGE ABSORBER	
D300			DA204U	DIODE	
IC100			MIC2005-05YM6	MOS-IC	
IC104			TC7S86FU-F	MOS-IC	
IC105			SI-3018KM	ANALOGUE IC	
IC106			-	MICROPROCESSOR IC	
IC108			TC7SH04FU-F	MOS-IC	
IC200			TC7WHU04FU-F	MOS-IC	
IC201			TC74LCX245FT	MOS-IC	
IC202,203	*		K4S561632HU17	DRAM IC	
IC205			TC74LCX245FT	MOS-IC	
IC207	*		341S1962	MICROPROCESSOR IC	
IC211	*		DW128F70NF9W7	ROM IC	
IC301	*		WM8728SEDSR	ANALOGUE IC	
IC302	*		BH7240AKV	MOS-IC	
IC305			NJM2100V-ZB	ANALOGUE IC	
IC309	*		LC74735NW8A20	MOS-IC	
IC316			TC7WHU04FU-F	MOS-IC	
IC322	*		L4032VN8IPINO	MOS-IC (48PIN 32V)	
IC332			NJM2864F05-ZB	ANALOGUE IC	
IC336,337			TC7WH14FU-F	MOS-IC	
Q302-304			2SA1576A	TRANSISTOR	
DAUGHTER UNIT (X89-2980-10)					
D1			B30-1566-05	LED (1608,RED)	
D2-7			B30-1767-05	LED	
D9			B30-1767-05	LED	
C9,10			CK73GB1A105K	CHIP C 1.0UF K	
FPC2	3E	*	J86-0023-15	FPC (LEAD FREE)	
S1-8			S70-0919-05	TACT SWITCH	
D8			AVRM1608120M6A	VARIATOR	
D10-17			AVRM1608120M6A	VARIATOR	
IC1			GP1US301XP	ANALOGUE IC	
DVD MECHANISM ASSY (X92-5920-00) (DVS-8530V)					
1	1A	*	A10-5331-41	CHASSIS	
2	2B		A10-5332-41	CHASSIS	
3	1A		A10-5333-31	CHASSIS	
4	3A		A10-5334-22	CHASSIS	

Ref. No.	Add	New	Parts No.	Description	Destination
7	1B	*	D10-4918-12	ARM	
8	1B	*	D10-4919-12	ARM	
9	1B	*	D10-4920-02	LEVER	
10	1B	*	D10-4921-02	LEVER	
12	2B	*	D10-4922-12	SLIDER	
13	2A	*	D10-4923-12	ARM	
14	2B	*	D10-4924-13	ARM	
15	2B	*	D10-4925-12	ARM	
25	2B	*	D10-4938-04	SLIDER ASSY	
27	2A	*	D10-4945-04	LEVER	
28	2B	*	D12-0639-02	CAM	
31	2B	*	D13-2402-04	GEAR	
32	2B	*	D13-2403-04	GEAR	
33	2B	*	D13-2404-04	GEAR	
34	2B	*	D13-2405-04	GEAR	
35	2B	*	D13-2406-04	GEAR	
36	2B	*	D13-2407-04	GEAR	
40	2A		D13-2413-04	GEAR	
41	2A		D13-2415-04	GEAR	
42	2A		D13-2416-04	GEAR	
43	1B	*	D14-1013-14	ROLLER	
53	1B	*	D21-2487-04	SHAFT	
54	2A	*	D39-0269-05	DAMPER	
55	2A	*	D39-0270-05	DAMPER	
60	3A	*	F09-2825-23	SHEET	
65	2B	*	G01-3298-04	EXTENSION SPRING	
66	1B	*	G01-3299-04	EXTENSION SPRING	
67	2A	*	G01-3300-14	TORSION COIL SPRING	
68	1B	*	G01-4601-04	EXTENSION SPRING	
69	1B	*	G01-4602-04	EXTENSION SPRING	
70	1B	*	G01-4604-04	TORSION COIL SPRING	
74	2B	*	G01-4609-14	TORSION COIL SPRING	
75	1B	*	G02-1550-03	FLAT SPRING	
79	2A		J22-0475-11	MOUNTING HARDWARE	
80	3B	*	J22-0476-01	MOUNTING HARDWARE	
A	1A	*	N09-6382-05	MACHINE SCREW (M1.7X2.0)	
B	3B	*	N09-6408-15	TAPTITE SCREW (1.7X4 P-TITE)	
C	1B	*	N09-6426-15	MACHINE SCREW (LOAD ARM SCREW)	
D	3A		N09-6104-05	MACHINE SCREW (2X10 S-TITE)	
93	2A	*	T99-0471-05	MAGNET	
96	1B		X94-2080-00	ROLLER ASSY	
98	2A		X94-2060-00	TRAVERSE ASSY (PICKUP,SPINDLE)	
VM1	2A		X94-2070-00	MOTOR ASSY (LOADING)	

K : DDX7019 K1 : DNX7100 (North America)
E1 : DDX7029 E2 : DDX7029Y E3 : DNX7200 (Europe)
X1 : DDX7039 (Australia) R1 : DDX7039 (Latin America)
M1 : DDX7039 (Other Areas)

● IC106 in the DIGITAL I/O UNIT (X88-2020-12) is not a replaceable component. In case of defective of this IC, replace the entire unit (X88-2020-12).

△ Indicates safety critical components.