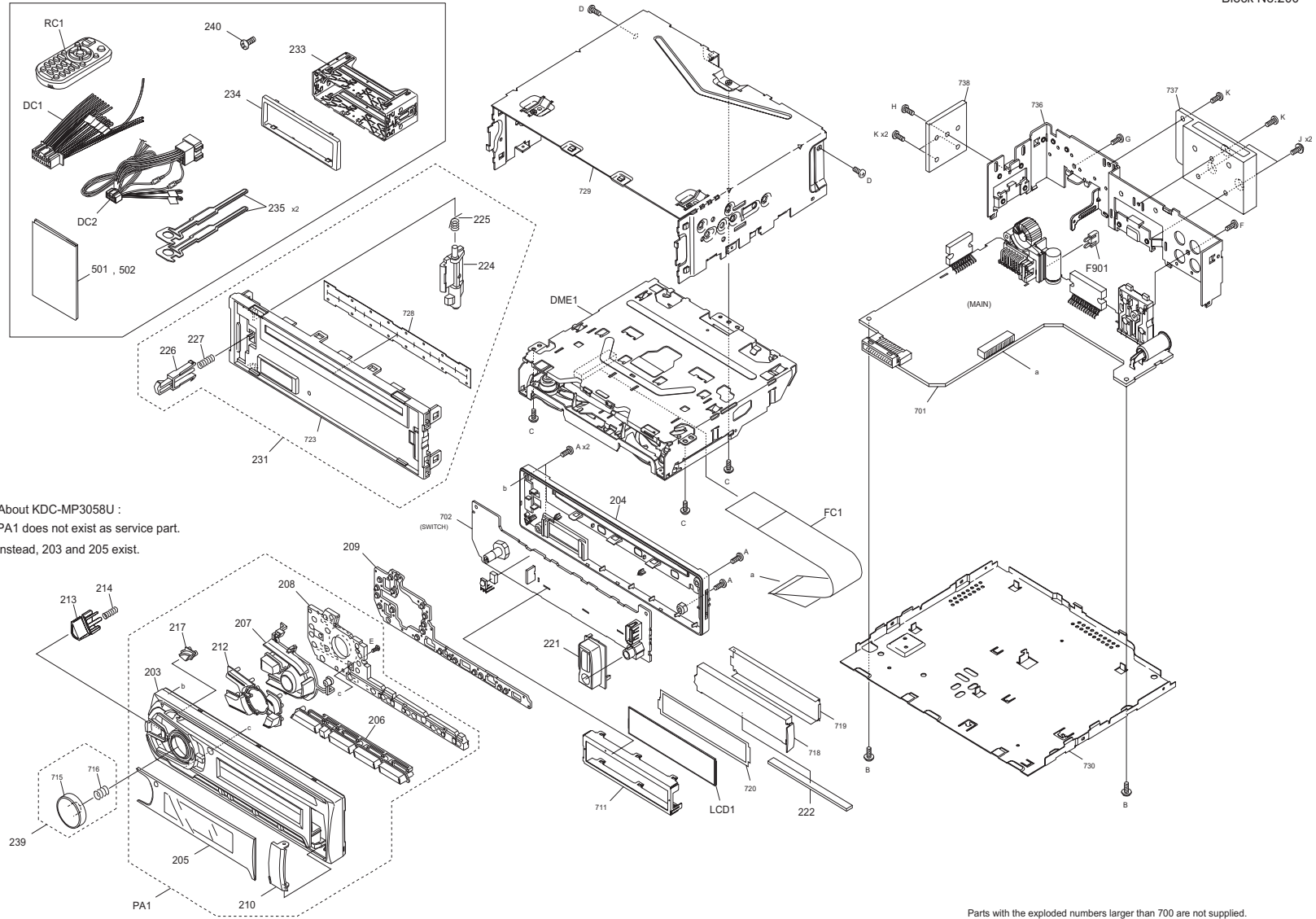


# EXPLODED VIEW (UNIT)

Block No.200



About KDC-MP3058U :  
PA1 does not exist as service part.  
Instead, 203 and 205 exist.

Parts with the exploded numbers larger than 700 are not supplied.  
created date:2014-03-05

MODEL	MARK	MODEL	MARK	MODEL	MARK	MODEL	MARK
KDC-130Y	E4	KDC-258U	K1	KDC-361U	E1	KDC-MP258U	K0
KDC-MP3058U	R0						

Safe	Symbol No.	Parts No.	Parts Name	Description	QTY	Local
------	------------	-----------	------------	-------------	-----	-------

EXPLODED VIEW (UNIT) <200>

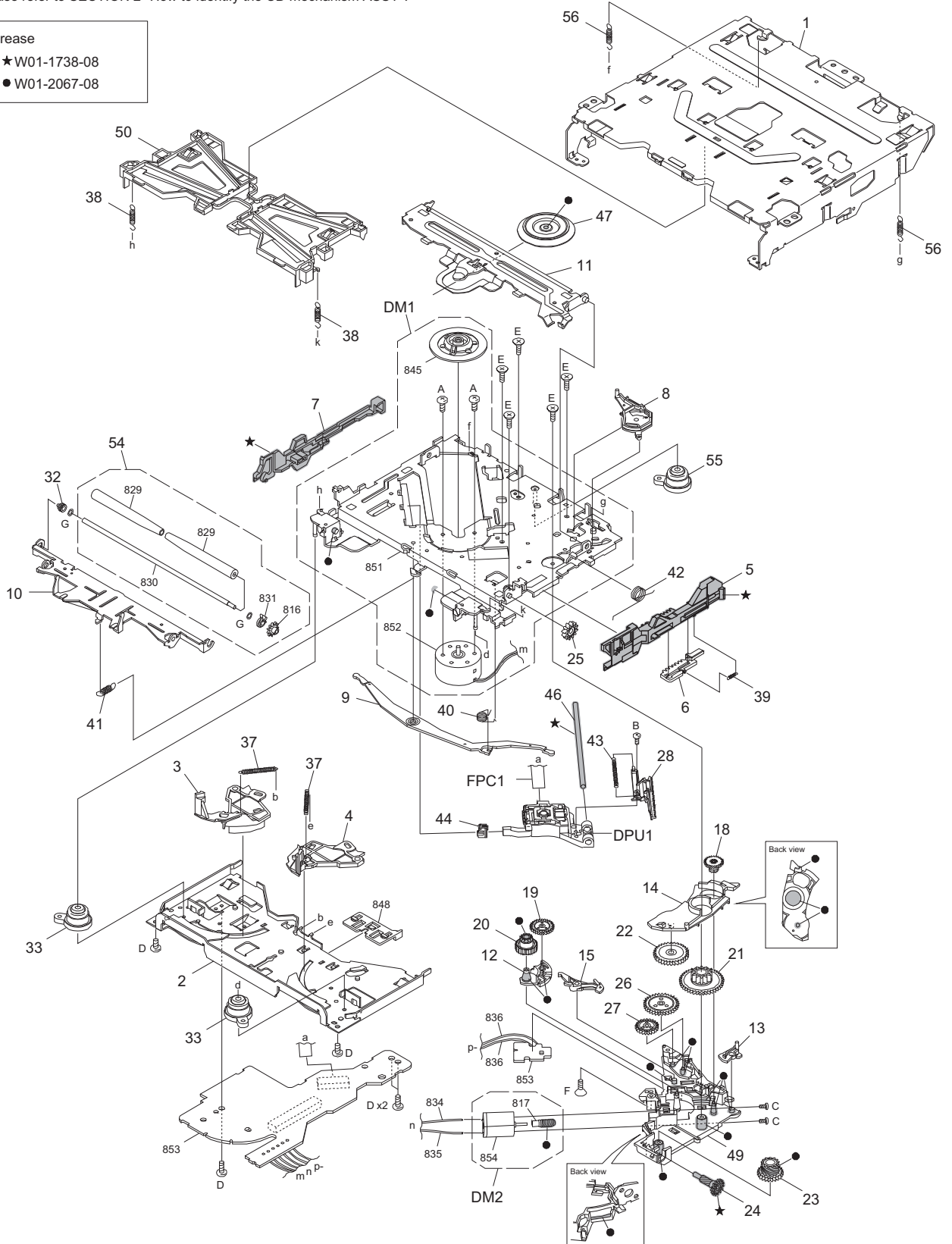
	DC1	QAM1338-001	DC CORD		1	K1
	DC1	QAM1341-001	DC CORD		1	K0
	DC2	QAM1333-001	DC CORD		1	E4,E1
	DC2	QAM1516-001	DC CORD		1	R0
	DME1	FC2-2A00NXN	CD MECHA ASSY (Made at JEIN)		1	
	DME1	or X92-6820-01	CD MECHA ASSY (Made at KETM)		1	
△	F901	QMFZ064-100-J1	FUSE	10A	1	
	FC1	WJT0335-001A-E	E-CARD WIRE		1	
	LCD1	QLD0726-001	LCD MODULE		1	
	PA1	GE20353-017A	FRONT PANEL ASSY		1	E4
	PA1	GE20353-002A	FRONT PANEL ASSY		1	K1
	PA1	GE20353-013A	FRONT PANEL ASSY		1	E1
	PA1	GE20353-008A	FRONT PANEL ASSY		1	K0
	RC1	QAL1303-004	REMOTE CONTROL UNIT		1	E4,K1,K0,R0
	A	QYSDSF2008ZA	TAP SCREW	M2 x 8mm	4	
	B	GE40377-002A	SCREW		2	
	C	QYSDST2604ZA	TAP SCREW	M2.6 x 4mm	3	
	D	QYSDST2606ZA	TAP SCREW	M2.6 x 6mm	2	
	E	QYSPSF2006ZA	TAP SCREW	M2 x 6mm	1	
	F	QYSDSF2608ZA	TAP SCREW	M2.6 x 8mm	1	
	G	QYSDSG3006ZA	TAP SCREW	M3 x 6mm	1	
	H	QYSDST2608ZA	TAP SCREW	M2.6 x 8mm	1	
	J	GE40377-005A	SPECIAL SCREW		2	
	K	QYSDST2610ZA	TAP SCREW	M2.6 x 10mm	4	
	203	GE10379-001A-M	FRONT PANEL		1	R0
	204	GE10384-001A	REAR COVER		1	
	205	GE10383-036A-M	FINDER		1	R0
	206	GE20344-001A	PRESET BUTTON		1	E4,K1,E1,K0
	206	GE20344-003A	PRESET BUTTON		1	R0
	207	GE20343-003A	ACC BTN		1	E4
	207	GE20343-002A	ACC BTN		1	K1,E1,K0,R0
	208	GE10381-001A	LIGHT GUIDE		1	E4,K1,E1,K0
	208	GE10381-002A	LIGHT GUIDE		1	R0
	209	GE20345-001A	CONDUCT. RUBBER		1	
	210	GE35665-001A	USB DOOR		1	
	212	GE20367-001A	COMBINE BUTTON		1	
	213	GE35663-001A	DETACH BUTTON		1	
	214	GE40505-003A	SPRING		1	
	217	GE35658-001A	EJECT BUTTON		1	
	221	GE35664-001A	USB HOLDER		1	
	222	QNZ1117-001	RUBBER CONNE		1	
	224	GE35686-001A	LOCK LEVER		1	
	225	GE40504-001A	SPRING		1	
	226	GE35687-001A	RELEASE LEVER		1	
	227	GE40505-001A	SPRING		1	
	231	GE35691-001A	F.CHASSIS ASSY		1	
	233	GE20362-001A	MOUNTING SLEEVE		1	
	234	GE20352-001A	TRIM PLATE		1	
	235	GE40685-001A	HOOK		2	
	239	GE40675-001A	VOL KNOB ASSY		1	E4,K1,E1,K0
	240	QYSPSF2008ZA	TAP SCREW	M2 x 8mm	1	K1,K0
	501	GET0961-004A	INST MANUAL (ENG.RUS.UKR.)		1	E4
	501	GET0960-001A	INST MANUAL (ENG.FRE.SPA.)		1	K1,K0
	501	GET0961-001A	INST MANUAL (ENG.GER.RUS.UKR.)		1	E1
	502	GET0961-002A	INST MANUAL (FRE.SPA.ITA.POR.DUT.)		1	E1

# EXPLODED VIEW (CD MECHANISM: FC2-2A00NXN)

Block No.130A

The differences between X92-6820-01 and FC2-2A00NXN,  
please refer to SECTION 2 "How to identify the CD mechanism ASSY".

Grease  
 ★W01-1738-08  
 ●W01-2067-08



Parts with the exploded numbers larger than 800 are not supplied.

MODEL	MARK	MODEL	MARK	MODEL	MARK	MODEL	MARK
KDC-130Y	E4	KDC-258U	K1	KDC-361U	E1	KDC-MP258U	K0
KDC-MP3058U	R0						

Safe	Symbol No.	Parts No.	Parts Name	Description	QTY	Local
------	------------	-----------	------------	-------------	-----	-------

EXPLODED VIEW (CD MECHANISM: FC2-2A00NXN) <130A>

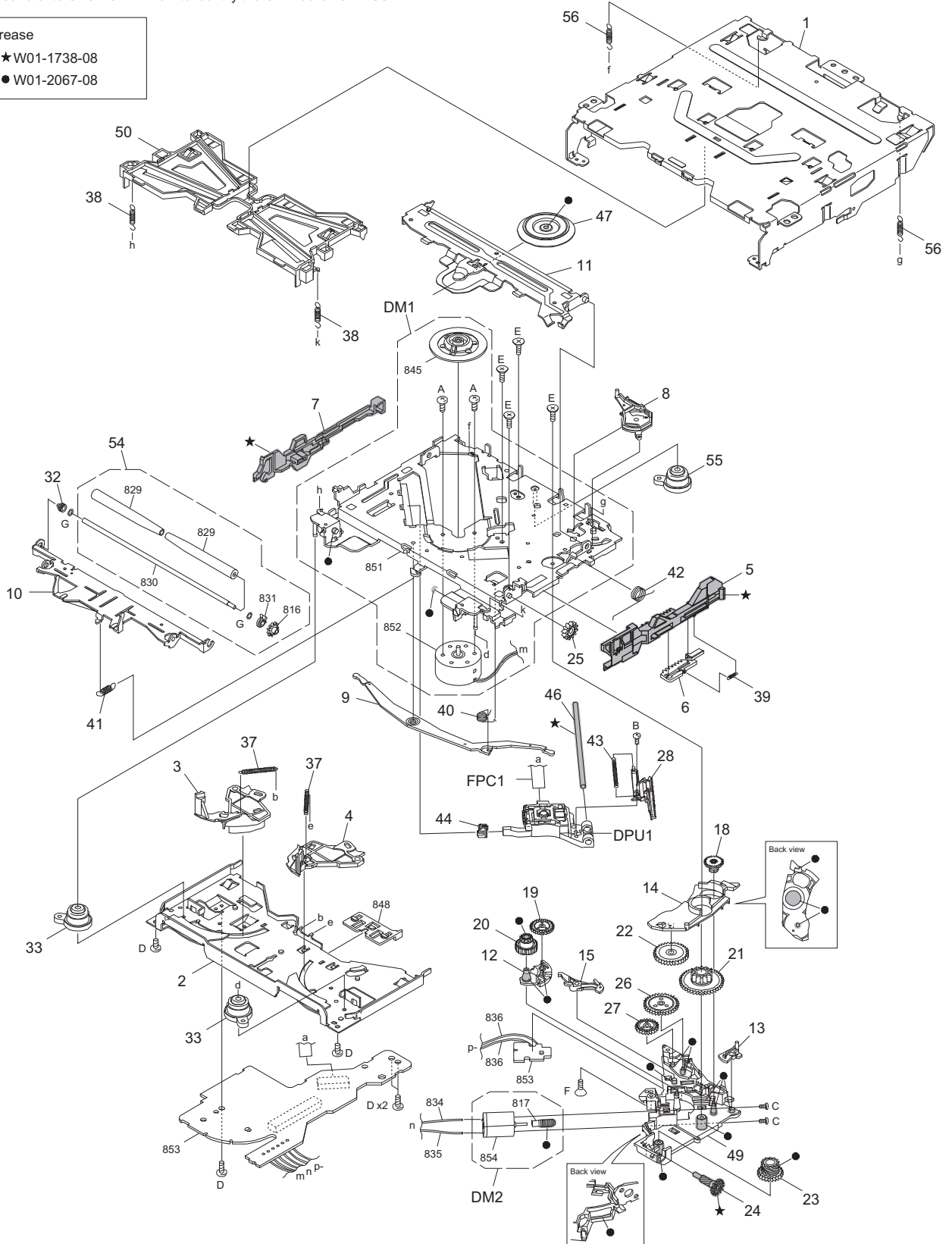
DM1	CM-FC2-MD	MD CHASSIS ASSY			1	
DM2	CM-FC2-M	LOADING MOTOR ASSY			1	
DPU1	QAL1521-001	PICK UP			1	
FPC1	QAL1465-001	FPC			1	
A	LV45568-001A	MINI SCREW			2	
B	QYSPSGT1745ZA	TAP SCREW	M1.7 x 4.5mm		1	
C	QYSPSPT2025MA	SCREW	M2 x 2.5mm		2	
D	VKZ4539-054	MINI SCREW			5	
E	LV45818-001A	G.HOLDER SCREW			5	
F	LV45815-001A	M. SHAFT SCREW			1	
G	LV45816-001A	ROLLER WASHER			2	
1	LV11877-002A	OUTER CHASSIS			1	
2	LV11878-002A	LOWER CHASSIS			1	
3	LV3A174-001A	DISC ARM L			1	
4	LV3A175-001A	DISC ARM R			1	
5	LV23057-001A	SLIDER R			1	
6	LV3A178-001A	TRIGGER SLIDER			1	
7	LV23058-001A	SLIDER L			1	
8	LV3A179-001A	TRIGGER ARM			1	
9	LV3A173-001A	JOINT LEVER			1	
10	LV23055-002A	ROLLER LEVER			1	
11	LV23056-001A	CLAMP ARM			1	
12	LV3A181-001A	TRANSFER ARM			1	
13	LV45797-002A	SL LOCK CAM			1	
14	LV3A182-002A	SL LOCK ARM			1	
15	LV3A183-001A	PICK LOCK ARM			1	
18	LV3A187-002A	HELICAL GEAR 1			1	
19	LV3A188-001A	TRANSFER GEAR			1	
20	LV3A189-001A	LOAD GEAR H			1	
21	LV3A190-001A	DRIVE GEAR			1	
22	LV3A191-001A	JOINT GEAR			1	
23	LV3A192-001A	WORM GEAR 2			1	
24	LV3A193-001A	HELICAL GEAR 2			1	
25	LV3A194-001A	LOAD GEAR V			1	
26	LV3A195-001A	PICK GEAR 1			1	
27	LV3A196-001A	PICK GEAR 2			1	
28	LV3A197-001A	RACK GEAR			1	
32	LV45796-001A	R.RETAINER L			1	
33	D39-0403-05	DAMPER F			2	
37	LV45808-001A	DISC ARM SPRING			2	
38	LV45809-001A	FLOAT SPRING(F)			2	
39	LV45810-001A	TRIGGER SPRING			1	
40	LV45811-001A	LOAD SPRING			1	
41	LV45812-001A	ROLLER SPRING			1	
42	LV45813-001A	CLAMP SPRING			1	
43	LV45814-001A	PICK SPRING			1	
44	LV36813-201A	SUB GUIDE CAP			1	
46	LV44555-001A	MAIN SHAFT			1	
47	LV3A180-001A	CLAMPER			1	
49	LV11881-002A	GEAR HOLDER			1	
50	LV11880-003A	DISC GUIDE			1	
54	CM-FC2-R	ROLLER ASSY			1	
55	D39-0404-05	DAMPER R			1	
56	LV45835-001A	FLOAT SPRING(R)			2	

# EXPLODED VIEW (CD MECHANISM: X92-6820-01)

Block No.130B

The differences between X92-6820-01 and FC2-2A00NXN,  
please refer to SECTION 2 "How to identify the CD mechanism ASSY".

Grease  
 ★ W01-1738-08  
 ● W01-2067-08



Parts with the exploded numbers larger than 800 are not supplied.

MODEL	MARK	MODEL	MARK	MODEL	MARK	MODEL	MARK
KDC-130Y	E4	KDC-258U	K1	KDC-361U	E1	KDC-MP258U	K0
KDC-MP3058U	R0						

Safe	Symbol No.	Parts No.	Parts Name	Description	QTY	Local
------	------------	-----------	------------	-------------	-----	-------

EXPLODED VIEW (CD MECHANISM: X92-6820-01) <130B>

	DM1	X94-2230-00	MD CHASSIS ASSY		1	
	DM2	X94-2240-00	LOADING MOTOR ASSY		1	
△	DPU1	QAL1521-001	PICK UP		1	
	FPC1	QAL1465-001	FPC		1	
	A	LV45568-001A	MINI SCREW		2	
	B	QYSPSGT1745ZA	TAP SCREW	M1.7 x 4.5mm	1	
	C	QYSPSPT2025MA	SCREW	M2 x 2.5mm	2	
	D	N09-6108-15	MINI SCREW		5	
	E	N09-6738-15	G.HOLDER SCREW		4	
	F	N09-6921-05	M. SHAFT SCREW		1	
	G	N19-2356-04	FLAT WASHER		2	
	1	A10-5625-21	OUTER CHASSIS		1	
	2	A10-5626-01	LOWER CHASSIS		1	
	3	D10-7174-03	DISC ARM L		1	
	4	D10-7175-03	DISC ARM R		1	
	5	D10-7177-02	SLIDER R		1	
	6	D10-7178-03	TRIGGER SLIDER		1	
	7	D10-7179-02	SLIDER L		1	
	8	D10-7180-03	TRIGGER ARM		1	
	9	D10-7181-13	JOINT LEVER		1	
	10	D10-7182-12	ROLLER LEVER		1	
	11	D10-7183-02	CLAMP ARM		1	
	12	D10-7184-03	TRANSFER ARM		1	
	13	D10-7185-04	SL LOCK CAM		1	
	14	D10-7186-03	SL LOCK ARM		1	
	15	D10-7187-13	PICK LOCK ARM		1	
	18	D13-3104-04	HELICAL GEAR 1		1	
	19	D13-3105-04	TRANSFER GEAR		1	
	20	D13-3106-04	LOAD GEAR H		1	
	21	D13-3107-04	DRIVE GEAR		1	
	22	D13-3108-04	JOINT GEAR		1	
	23	D13-3109-04	WORM GEAR 2		1	
	24	D13-3110-04	HELICAL GEAR 2		1	
	25	D13-3111-04	LOAD GEAR V		1	
	26	D13-3112-04	PICK GEAR 1		1	
	27	D13-3113-04	PICK GEAR 2		1	
	28	D13-3114-03	RACK GEAR		1	
	32	D23-0974-14	R.RETAINER L		1	
	33	D39-0403-05	DAMPER F		2	
	37	G01-4810-04	DISC ARM SPRING		2	
	38	G01-4829-04	FLOAT SPRING(F)		2	
	39	G01-4813-04	TRIGGER SPRING		1	
	40	G01-4814-04	LOAD SPRING		1	
	41	G01-4815-04	ROLLER SPRING		1	
	42	G01-4816-04	CLAMP SPRING		1	
	43	G01-4817-04	PICK SPRING		1	
	44	LV36813-501A	SUB GUIDE CAP		1	
	46	LV44555-001A	MAIN SHAFT		1	
	47	J11-0692-03	CLAMPER		1	
	49	J19-7360-21	GEAR HOLDER		1	
	50	J90-1209-21	DISC GUIDE		1	
	54	X94-2250-00	ROLLER ASSY		1	
	55	D39-0404-05	DAMPER R		1	
	56	G01-4812-04	FLOAT SPRING(R)		2	

MODEL	MARK	MODEL	MARK	MODEL	MARK	MODEL	MARK
KDC-130Y	E4	KDC-258U	K1	KDC-361U	E1	KDC-MP258U	K0
KDC-MP3058U	R0						

Safe	Symbol No.	Parts No.	Parts Name	Description	QTY	Local
<b>MAIN PWB ASSY (GEA10358-xxA) &lt;ER&gt;</b>						
△	IC1	TEF6657HN-X	IC		1	
	IC80	MFI337S3959-X	IC		1	K1,E1,K0,R0
	IC161	TDA7718B-X	IC		1	
△	IC301	JCV8031	IC		1	
	IC530	BU33TD3WG-W	IC		1	
△	IC540	MN6627553APA	IC		1	
△	IC701	R5S726A0D216FP	IC		1	
	IC710	BR24T02FJ-W-X	IC		1	
	IC720	BU4228F-W	IC		1	
△	IC840	JES269C	IC		1	
△	IC901	LV5684NPVD	IC		1	
	IC943	BU1CTD3WG-W	IC		1	
	IC981	BD9876EFJ-X	IC		1	
	IC982	NCP380HSNAJAA-X	IC		1	
	Q250	LTC043TEB-X	DIGI TRANSISTOR		1	
	Q251	LTC043TEB-X	DIGI TRANSISTOR		1	
	Q321	LTC043TEB-X	DIGI TRANSISTOR		1	E4,K0,R0
	Q331	LTC043TEB-X	DIGI TRANSISTOR		1	E4,K0,R0
	Q540	2SA2188/F-X	TRANSISTOR		1	
	Q541	LTA043EEB-X	DIGI TRANSISTOR		1	
	Q542	LTC024EEB-X	DIGI TRANSISTOR		1	
	Q780	LTA024EEB-X	DIGI TRANSISTOR		1	
	Q781	LTC024EEB-X	DIGI TRANSISTOR		1	
	Q782	LTA024EEB-X	DIGI TRANSISTOR		1	
	Q912	LTA014YEB-X	DIGI TRANSISTOR		1	
	Q940	2SA812/5-6/-X	TRANSISTOR		1	
	Q941	LTC024EEB-X	DIGI TRANSISTOR		1	
	Q970	LSCR523UB-X	TRANSISTOR		1	
	Q971	LSCR523UB-X	TRANSISTOR		1	
	Q972	LSCR523UB-X	TRANSISTOR		1	
	D1	NAF0029-002X	ESD SUPPRESSOR		1	
	D100	RSB6.8SM-X	BP Z DIODE		1	
	D101	RSB6.8SM-X	BP Z DIODE		1	
	D300	DA2J101-X	SI DIODE		1	
	D540	GS1J-LTP-X	SI DIODE		1	
	D541	DZ2J033/M/-X	Z DIODE		1	
	D780	BAW56-TP-X	SI DIODE		1	
	D781	BAW56-TP-X	SI DIODE		1	
	D782	DA2J101-X	SI DIODE		1	
	D783	BAW56-TP-X	SI DIODE		1	
	D891	BAW56-TP-X	SI DIODE		1	
△	D901	1N5401-BPC04	SI DIODE		1	
	D902	SK34A-L-X	SB DIODE		1	
	D903	DB22306	SCHOTTKY DIODE		1	R0
	D906	MBRX130-TP-X	SB DIODE		1	E4,K1,E1,K0
	D906	MBRX130	SCHOTTKY DIODE		1	R0
	D907	MBR0530-X	SB DIODE		1	
	D908	DZ2J051/M/-X	Z DIODE		1	
	D909	RB521SM-30-X	SB DIODE		1	E4,E1,K0
	D970	DZ2J062/M/-X	Z DIODE		1	
	D971	DZ2J068/M/-X	Z DIODE		1	
	D972	DZ2J062/M/-X	Z DIODE		1	
	D981	SK34A-L-X	SB DIODE		1	
	D984	GS1J-LTP-X	SI DIODE		1	
	C1	CC73GCH1H330J	C CAPACITOR	33pF 50V J	1	
	C3	NCB31HK-104X	C CAPACITOR	0.1uF 50V K	1	
	C5	CK73GGB1C224K	C CAPACITOR	0.22uF 16V K	1	
	C6	CK73GGB1H102K	C CAPACITOR	1000pF 50V K	1	
	C7	CK73GGB1H102K	C CAPACITOR	1000pF 50V K	1	
△	C8	CC73GCH1H010C	C CAPACITOR	1pF 50V C	1	
	C10	CK73GGB1H102K	C CAPACITOR	1000pF 50V K	1	
	C11	CK73GGB1H152K	C CAPACITOR	1500pF 50V K	1	
	C12	NCB31HK-104X	C CAPACITOR	0.1uF 50V K	1	
	C13	CC73GCH1H220J	C CAPACITOR	22pF 50V J	1	
	C14	CC73GCH1H090D	C CAPACITOR	9pF 50V D	1	
	C17	CK730AX0J106K	C CAPACITOR	10uF 6.3V K	1	
	C20	CC73GCH1H050C	C CAPACITOR	5pF 50V C	1	
	C23	CK730AX0J106K	C CAPACITOR	10uF 6.3V K	1	
	C25	CK73GGB1H103K	C CAPACITOR	0.01uF 50V K	1	
△	C26	CC73GCH1H010C	C CAPACITOR	1pF 50V C	1	
	C28	CC73GCH1H120J	C CAPACITOR	12pF 50V J	1	
	C29	NCB31HK-104X	C CAPACITOR	0.1uF 50V K	1	
	C80	NCB31HK-104X	C CAPACITOR	0.1uF 50V K	1	K1,E1,K0,R0
	C100	NCB31HK-104X	C CAPACITOR	0.1uF 50V K	1	
	C101	CK73GGB1H102K	C CAPACITOR	1000pF 50V K	1	
	C102	CK73GGB1H102K	C CAPACITOR	1000pF 50V K	1	
	C103	NCB31CK-105X	C CAPACITOR	1uF 16V K	1	
	C104	NCB31CK-105X	C CAPACITOR	1uF 16V K	1	
	C105	NCB31CK-105X	C CAPACITOR	1uF 16V K	1	
	C161	NCB31AK-105X	C CAPACITOR	1uF 10V K	1	
	C162	NCB31AK-105X	C CAPACITOR	1uF 10V K	1	
	C163	CD04AV1V4R7M	E CAPACITOR	4.7uF 35V M	1	
	C164	CD04AV1V4R7M	E CAPACITOR	4.7uF 35V M	1	
	C165	CEKJ1EM-106Z	E CAPACITOR	10uF 25V M	1	
	C166	NCB31HK-104X	C CAPACITOR	0.1uF 50V K	1	
	C167	NCB31AK-105X	C CAPACITOR	1uF 10V K	1	
	C168	NCB31AK-105X	C CAPACITOR	1uF 10V K	1	
	C169	NCB31AK-105X	C CAPACITOR	1uF 10V K	1	
	C171	NCB31CK-105X	C CAPACITOR	1uF 16V K	1	
	C177	NCB31AK-105X	C CAPACITOR	1uF 10V K	1	

MODEL	MARK	MODEL	MARK	MODEL	MARK	MODEL	MARK
KDC-130Y	E4	KDC-258U	K1	KDC-361U	E1	KDC-MP258U	K0
KDC-MP3058U	R0						

Safe	Symbol No.	Parts No.	Parts Name	Description	QTY	Local
	C250	CC73GCH1H101J	C CAPACITOR	100pF 50V J	1	
	C251	CK73EBB1C475K	C CAPACITOR	4.7uF 16V K	1	
	C260	CC73GCH1H101J	C CAPACITOR	100pF 50V J	1	
	C261	CK73EBB1C475K	C CAPACITOR	4.7uF 16V K	1	
	C303	CC73GCH1H820J	C CAPACITOR	82pF 50V J	1	
	C304	CD04AV1C470M	E CAPACITOR	47uF 16V M	1	
	C305	CC73GCH1H820J	C CAPACITOR	82pF 50V J	1	
	C306	CC73GCH1H820J	C CAPACITOR	82pF 50V J	1	
	C312	CK730AV1C105K	C CAPACITOR	1uF 16V K	1	
	C316	CK730AV1C224K	C CAPACITOR	0.22uF 16V K	1	
	C317	CK730AV1C224K	C CAPACITOR	0.22uF 16V K	1	
	C318	CK730AV1C224K	C CAPACITOR	0.22uF 16V K	1	
	C319	CK730AV1C224K	C CAPACITOR	0.22uF 16V K	1	
	C320	CC73GCH1H101J	C CAPACITOR	100pF 50V J	1	E4,K0,R0
	C321	CK73EBB1C475K	C CAPACITOR	4.7uF 16V K	1	E4,K0,R0
	C330	CC73GCH1H101J	C CAPACITOR	100pF 50V J	1	E4,K0,R0
	C331	CK73EBB1C475K	C CAPACITOR	4.7uF 16V K	1	E4,K0,R0
	C360	CK73GBB1H471K	C CAPACITOR	470pF 50V K	1	R0
	C361	CK73GBB1H471K	C CAPACITOR	470pF 50V K	1	R0
	C362	CK73GBB1H471K	C CAPACITOR	470pF 50V K	1	R0
	C363	CK73GBB1H471K	C CAPACITOR	470pF 50V K	1	R0
	C364	CK73GBB1H471K	C CAPACITOR	470pF 50V K	1	R0
	C365	CK73GBB1H471K	C CAPACITOR	470pF 50V K	1	R0
	C366	CK73GBB1H471K	C CAPACITOR	470pF 50V K	1	R0
	C367	CK73GBB1H471K	C CAPACITOR	470pF 50V K	1	R0
	C368	NCB31AK-105X	C CAPACITOR	1uF 10V K	1	
	C369	NCB20JK-475X	C CAPACITOR	4.7uF 6.3V K	1	
	C510	CK73GBB1H472K	C CAPACITOR	4700pF 50V K	1	
	C530	NCB31AK-105X	C CAPACITOR	1uF 10V K	1	
	C531	NCB20JK-106X	C CAPACITOR	10uF 6.3V K	1	
	C532	NCB20JK-106X	C CAPACITOR	10uF 6.3V K	1	
	C533	CD04AV1C470M	E CAPACITOR	47uF 16V M	1	
	C534	CK73GBB1H471K	C CAPACITOR	470pF 50V K	1	
	C540	NCB31HK-104X	C CAPACITOR	0.1uF 50V K	1	
	C541	NCB31HK-104X	C CAPACITOR	0.1uF 50V K	1	
	C542	NCB20JK-106X	C CAPACITOR	10uF 6.3V K	1	
	C543	NCB20JK-106X	C CAPACITOR	10uF 6.3V K	1	
	C544	CK73GBB1H103K	C CAPACITOR	0.01uF 50V K	1	
	C545	CK73GBB1H103K	C CAPACITOR	0.01uF 50V K	1	
	C546	CK73GBB1H682K	C CAPACITOR	6800pF 50V K	1	
	C547	CK73GBB1H682K	C CAPACITOR	6800pF 50V K	1	
	C548	NCB20JK-475X	C CAPACITOR	4.7uF 6.3V K	1	
	C549	NCB31HK-104X	C CAPACITOR	0.1uF 50V K	1	
	C550	CK73GBB1C154K	C CAPACITOR	0.15uF 16V K	1	
	C552	CK73GBB1H682K	C CAPACITOR	6800pF 50V K	1	
	C553	NCB31HK-104X	C CAPACITOR	0.1uF 50V K	1	
	C554	NCB20JK-475X	C CAPACITOR	4.7uF 6.3V K	1	
	C555	CK73GBB1H223K	C CAPACITOR	0.022uF 50V K	1	
	C556	CK73GBB1H332K	C CAPACITOR	3300pF 50V K	1	
	C557	CK73GBB1A334K	C CAPACITOR	0.33uF 10V K	1	
	C558	NCB20JK-475X	C CAPACITOR	4.7uF 6.3V K	1	
	C559	NCB31HK-104X	C CAPACITOR	0.1uF 50V K	1	
	C560	CC73GCH1H681J	C CAPACITOR	680pF 50V J	1	
	C561	NCB11AK-106X	C CAPACITOR	10uF 10V K	1	
	C562	CK73GBB1H153K	C CAPACITOR	0.015uF 50V K	1	
	C563	NCB31HK-104X	C CAPACITOR	0.1uF 50V K	1	
	C564	CK73GBB1H102K	C CAPACITOR	1000pF 50V K	1	
	C565	CK73GBB1E823K	C CAPACITOR	0.082uF 25V K	1	
	C567	CK73GBB1H102K	C CAPACITOR	1000pF 50V K	1	
	C568	CK73GBB1A334K	C CAPACITOR	0.33uF 10V K	1	
	C570	NCB31HK-104X	C CAPACITOR	0.1uF 50V K	1	
	C571	NCB31HK-104X	C CAPACITOR	0.1uF 50V K	1	
	C572	NCB20JK-106X	C CAPACITOR	10uF 6.3V K	1	
	C574	CK73GBB1H472K	C CAPACITOR	4700pF 50V K	1	
	C576	NCB31HK-104X	C CAPACITOR	0.1uF 50V K	1	
	C577	CC73GCH1H100D	C CAPACITOR	10pF 50V D	1	
	C578	CC73GCH1H120J	C CAPACITOR	12pF 50V J	1	
	C579	NCB31HK-104X	C CAPACITOR	0.1uF 50V K	1	
	C583	CK73GBB1H821K	C CAPACITOR	820pF 50V K	1	
	C584	CK73GBB1H821K	C CAPACITOR	820pF 50V K	1	
	C587	CK73GBB1H471K	C CAPACITOR	470pF 50V K	1	
	C588	CK73GBB1H681K	C CAPACITOR	680pF 50V K	1	
	C589	CK73GBB1H681K	C CAPACITOR	680pF 50V K	1	
	C701	NCB31HK-104X	C CAPACITOR	0.1uF 50V K	1	
	C702	NCB31HK-104X	C CAPACITOR	0.1uF 50V K	1	
	C703	NCB31HK-104X	C CAPACITOR	0.1uF 50V K	1	
	C704	NCB31HK-104X	C CAPACITOR	0.1uF 50V K	1	
	C705	NCB31HK-104X	C CAPACITOR	0.1uF 50V K	1	
	C707	NCB31HK-104X	C CAPACITOR	0.1uF 50V K	1	
	C708	NCB31HK-104X	C CAPACITOR	0.1uF 50V K	1	
	C709	CC73GCH1H090D	C CAPACITOR	9pF 50V D	1	
	C710	CC73GCH1H090D	C CAPACITOR	9pF 50V D	1	
	C711	NCB31HK-104X	C CAPACITOR	0.1uF 50V K	1	
	C712	NCB31HK-104X	C CAPACITOR	0.1uF 50V K	1	
	C713	CK73GBB1H471K	C CAPACITOR	470pF 50V K	1	
	C714	NCB31HK-104X	C CAPACITOR	0.1uF 50V K	1	
	C715	NCB31HK-104X	C CAPACITOR	0.1uF 50V K	1	
	C716	NCB31HK-104X	C CAPACITOR	0.1uF 50V K	1	
	C717	NCB31HK-104X	C CAPACITOR	0.1uF 50V K	1	
	C718	NCB31HK-104X	C CAPACITOR	0.1uF 50V K	1	

MODEL	MARK	MODEL	MARK	MODEL	MARK	MODEL	MARK
KDC-130Y	E4	KDC-258U	K1	KDC-361U	E1	KDC-MP258U	K0
KDC-MP3058U	R0						

Safe	Symbol No.	Parts No.	Parts Name	Description	QTY	Local
	C719	CK73GBB1H472K	C CAPACITOR	4700pF 50V K	1	
	C722	CK73GBB1H472K	C CAPACITOR	4700pF 50V K	1	
	C723	CK73GBB1H472K	C CAPACITOR	4700pF 50V K	1	
	C724	CK73GBB1H472K	C CAPACITOR	4700pF 50V K	1	
	C727	CK73GBB1H682K	C CAPACITOR	6800pF 50V K	1	
	C728	CK73GBB1C473K	C CAPACITOR	0.047uF 16V K	1	
	C729	NCB31HK-104X	C CAPACITOR	0.1uF 50V K	1	
	C730	NCB31HK-104X	C CAPACITOR	0.1uF 50V K	1	
	C780	NCB31AK-105X	C CAPACITOR	1uF 10V K	1	R0
	C840	CK73GBB1H472K	C CAPACITOR	4700pF 50V K	1	
	C891	NCB31HK-104X	C CAPACITOR	0.1uF 50V K	1	
	C901	QE20981-228	E CAPACITOR	2200uF	1	
	C903	CD04AS1C220M	E CAPACITOR	22uF 16V M	1	
	C904	CD04AR1C471M	E CAPACITOR	470uF 16V M	1	
	C905	QEKJ0JM-107Z	E CAPACITOR	100uF 6.3V M	1	
	C907	NCB31AK-105X	C CAPACITOR	1uF 10V K	1	
	C908	CK73GBB1C224K	C CAPACITOR	0.22uF 16V K	1	
	C910	NCB31CK-105X	C CAPACITOR	1uF 16V K	1	
	C911	NCB31CK-105X	C CAPACITOR	1uF 16V K	1	
	C913	CK73FBB1C105K	C CAPACITOR	1uF 16V K	1	
	C914	CK73FBB1C105K	C CAPACITOR	1uF 16V K	1	
	C916	CC73GCH1H070D	C CAPACITOR	7pF 50V D	1	
	C950	NCB31HK-104X	C CAPACITOR	0.1uF 50V K	1	
	C953	CK73GBB1C474K	C CAPACITOR	0.47uF 16V K	1	
	C954	CK73GBB1C474K	C CAPACITOR	0.47uF 16V K	1	
	C955	QEKJ0JM-107Z	E CAPACITOR	100uF 6.3V M	1	
	C979	QEKJ0JM-107Z	E CAPACITOR	100uF 6.3V M	1	
	C981	CK73GBB1H682K	C CAPACITOR	6800pF 50V K	1	
	C984	CK73GBB1H103K	C CAPACITOR	0.01uF 50V K	1	
	C986	CK73EXR1E106K	C CAPACITOR	10uF 25V K	1	
	C987	NCB31HK-104X	C CAPACITOR	0.1uF 50V K	1	
	C988	NCB11AK-106X	C CAPACITOR	10uF 10V K	1	
	C989	NCB11AK-106X	C CAPACITOR	10uF 10V K	1	
	C990	NCB31HK-104X	C CAPACITOR	0.1uF 50V K	1	
	C991	NCB31HK-104X	C CAPACITOR	0.1uF 50V K	1	
	R1	RK73GB2A105J	MG RESISTOR	1M $\Omega$ 1/10W J	1	
	R2	RK73GB2A105J	MG RESISTOR	1M $\Omega$ 1/10W J	1	
	R3	RK73GB2A820J	MG RESISTOR	82 $\Omega$ 1/10W J	1	
	R4	RK73GB2A102J	MG RESISTOR	1k $\Omega$ 1/10W J	1	
	R5	RK73GB2A4R7J	MG RESISTOR	4.7 $\Omega$ 1/10W J	1	
	R7	RK73GB2A101J	MG RESISTOR	100 $\Omega$ 1/10W J	1	
	R8	RK73GB2A101J	MG RESISTOR	100 $\Omega$ 1/10W J	1	
	R20	RK73GB2A100J	MG RESISTOR	10 $\Omega$ 1/10W J	1	
	R80	RK73GB2A101J	MG RESISTOR	100 $\Omega$ 1/10W J	1	K1,E1,K0,R0
	R81	RK73GB2A101J	MG RESISTOR	100 $\Omega$ 1/10W J	1	K1,E1,K0,R0
	R82	RK73GB2A472J	MG RESISTOR	4.7k $\Omega$ 1/10W J	1	K1,E1,K0,R0
	R83	RK73GB2A472J	MG RESISTOR	4.7k $\Omega$ 1/10W J	1	K1,E1,K0,R0
	R84	RK73GB2A472J	MG RESISTOR	4.7k $\Omega$ 1/10W J	1	K1,E1,K0,R0
	R85	RK73GB2A000J	MG RESISTOR	0 $\Omega$ 1/10W J	1	K1,E1,K0,R0
	R100	RK73EB2E471J	MG RESISTOR	470 $\Omega$ 1/4W J	1	
	R101	RK73FB2B000J	MG RESISTOR	0 $\Omega$ 1/8W J	1	
	R103	RK73GB2A473J	MG RESISTOR	47k $\Omega$ 1/10W J	1	
	R104	RK73GB2A473J	MG RESISTOR	47k $\Omega$ 1/10W J	1	
	R167	RK73GB2A000J	MG RESISTOR	0 $\Omega$ 1/10W J	1	
	R168	RK73GB2A101J	MG RESISTOR	100 $\Omega$ 1/10W J	1	
	R169	RK73GB2A101J	MG RESISTOR	100 $\Omega$ 1/10W J	1	
	R170	RK73EB2E000J	MG RESISTOR	0 $\Omega$ 1/4W J	1	
	R171	RK73GB2A103J	MG RESISTOR	10k $\Omega$ 1/10W J	1	
	R250	RK73GB2A181J	MG RESISTOR	180 $\Omega$ 1/10W J	1	
	R251	RK73GB2A223J	MG RESISTOR	22k $\Omega$ 1/10W J	1	
	R252	RK73GB2A331J	MG RESISTOR	330 $\Omega$ 1/10W J	1	
	R260	RK73GB2A181J	MG RESISTOR	180 $\Omega$ 1/10W J	1	
	R261	RK73GB2A223J	MG RESISTOR	22k $\Omega$ 1/10W J	1	
	R262	RK73GB2A331J	MG RESISTOR	330 $\Omega$ 1/10W J	1	
	R301	RK73GB2A000J	MG RESISTOR	0 $\Omega$ 1/10W J	1	
	R302	RK73GB2A222J	MG RESISTOR	2.2k $\Omega$ 1/10W J	1	
	R303	RK73EB2E5R1J	MG RESISTOR	5.1 $\Omega$ 1/4W J	1	
	R304	RK73GB2A473J	MG RESISTOR	47k $\Omega$ 1/10W J	1	
	R307	RK73EB2E000J	MG RESISTOR	0 $\Omega$ 1/4W J	1	
	R320	RK73GB2A181J	MG RESISTOR	180 $\Omega$ 1/10W J	1	E4,K0,R0
	R321	RK73GB2A223J	MG RESISTOR	22k $\Omega$ 1/10W J	1	E4,K0,R0
	R323	RK73GB2A331J	MG RESISTOR	330 $\Omega$ 1/10W J	1	E4,K0,R0
	R330	RK73GB2A181J	MG RESISTOR	180 $\Omega$ 1/10W J	1	E4,K0,R0
	R331	RK73GB2A223J	MG RESISTOR	22k $\Omega$ 1/10W J	1	E4,K0,R0
	R333	RK73GB2A331J	MG RESISTOR	330 $\Omega$ 1/10W J	1	E4,K0,R0
	R400	RK73EB2E000J	MG RESISTOR	0 $\Omega$ 1/4W J	1	
	R401	RK73GB2A000J	MG RESISTOR	0 $\Omega$ 1/10W J	1	
	R402	RK73EB2E000J	MG RESISTOR	0 $\Omega$ 1/4W J	1	
	R403	RK73GB2A472J	MG RESISTOR	4.7k $\Omega$ 1/10W J	1	
	R404	RK73GB2A000J	MG RESISTOR	0 $\Omega$ 1/10W J	1	
	R409	RK73GB2A473J	MG RESISTOR	47k $\Omega$ 1/10W J	1	
	R411	RK73GB2A473J	MG RESISTOR	47k $\Omega$ 1/10W J	1	
	R412	RK73GB2A473J	MG RESISTOR	47k $\Omega$ 1/10W J	1	
	R413	RK73GB2A473J	MG RESISTOR	47k $\Omega$ 1/10W J	1	
	R414	RK73GB2A473J	MG RESISTOR	47k $\Omega$ 1/10W J	1	
	R415	RK73GB2A473J	MG RESISTOR	47k $\Omega$ 1/10W J	1	
	R416	RK73GB2A473J	MG RESISTOR	47k $\Omega$ 1/10W J	1	
	R417	RK73GB2A473J	MG RESISTOR	47k $\Omega$ 1/10W J	1	
	R419	RK73GB2A473J	MG RESISTOR	47k $\Omega$ 1/10W J	1	
	R420	RK73GB2A473J	MG RESISTOR	47k $\Omega$ 1/10W J	1	
	R421	RK73GB2A473J	MG RESISTOR	47k $\Omega$ 1/10W J	1	
	R422	RK73GB2A473J	MG RESISTOR	47k $\Omega$ 1/10W J	1	

MODEL	MARK	MODEL	MARK	MODEL	MARK	MODEL	MARK
KDC-130Y	E4	KDC-258U	K1	KDC-361U	E1	KDC-MP258U	K0
KDC-MP3058U	R0						

Safe	Symbol No.	Parts No.	Parts Name	Description	QTY	Local
	R424	RK73EB2E471J	MG RESISTOR	470Ω 1/4W J	1	
	R425	RK73EB2E471J	MG RESISTOR	470Ω 1/4W J	1	
	R431	RK73EB2E000J	MG RESISTOR	0Ω 1/4W J	1	
	R434	NR20084-0R0X	MG RESISTOR	0Ω	1	
	R435	RK73GB2A1R0J	MG RESISTOR	1Ω 1/10W J	1	
	R436	RK73EB2E000J	MG RESISTOR	0Ω 1/4W J	1	
	R438	RK73EB2E000J	MG RESISTOR	0Ω 1/4W J	1	
	R440	RK73EB2E000J	MG RESISTOR	0Ω 1/4W J	1	
	R442	RK73EB2E000J	MG RESISTOR	0Ω 1/4W J	1	
	R447	RK73EB2E000J	MG RESISTOR	0Ω 1/4W J	1	
	R448	RK73EB2E000J	MG RESISTOR	0Ω 1/4W J	1	
	R449	RK73EB2E000J	MG RESISTOR	0Ω 1/4W J	1	
	R450	RK73GB2A000J	MG RESISTOR	0Ω 1/10W J	1	
	R452	RK73GB2A000J	MG RESISTOR	0Ω 1/10W J	1	
	R453	RK73GB2A000J	MG RESISTOR	0Ω 1/10W J	1	
	R454	RK73GB2A000J	MG RESISTOR	0Ω 1/10W J	1	
	R463	RK73EB2E000J	MG RESISTOR	0Ω 1/4W J	1	
	R467	RK73EB2E000J	MG RESISTOR	0Ω 1/4W J	1	
	R468	NR20084-0R0X	MG RESISTOR	0Ω	1	
	R486	RK73EB2E000J	MG RESISTOR	0Ω 1/4W J	1	
	R530	RK73EB2E100J	MG RESISTOR	10Ω 1/4W J	1	
	R541	RK73GB2A562J	MG RESISTOR	5.6kΩ 1/10W J	1	
	R542	RK73GB2A223J	MG RESISTOR	22kΩ 1/10W J	1	
	R543	RK73GB2A562J	MG RESISTOR	5.6kΩ 1/10W J	1	
	R544	RK73GB2A183J	MG RESISTOR	18kΩ 1/10W J	1	
	R546	RK73GB2A103J	MG RESISTOR	10kΩ 1/10W J	1	
	R548	RK73GB2A123J	MG RESISTOR	12kΩ 1/10W J	1	
	R550	RK73GB2A222J	MG RESISTOR	2.2kΩ 1/10W J	1	
	R551	RK73GB2A222J	MG RESISTOR	2.2kΩ 1/10W J	1	
	R554	RK73GB2A225J	MG RESISTOR	2.2MΩ 1/10W J	1	
	R555	RK73GB2A000J	MG RESISTOR	0Ω 1/10W J	1	
	R556	RK73GB2A473J	MG RESISTOR	47kΩ 1/10W J	1	
	R557	RK73EB2E4R7J	MG RESISTOR	4.7Ω 1/4W J	1	
	R558	RK73GB2A821J	MG RESISTOR	820Ω 1/10W J	1	
	R559	RK73GB2A272J	MG RESISTOR	2.7kΩ 1/10W J	1	
	R561	RK73GB2A102J	MG RESISTOR	1kΩ 1/10W J	1	
	R562	RK73EB2E823J	MG RESISTOR	82kΩ 1/4W J	1	
	R563	RK73GB2A000J	MG RESISTOR	0Ω 1/10W J	1	
	R569	RK73EB2E102J	MG RESISTOR	1kΩ 1/4W J	1	
	R570	RK73GB2A102J	MG RESISTOR	1kΩ 1/10W J	1	
	R571	RK73GB2A103J	MG RESISTOR	10kΩ 1/10W J	1	
	R572	RK73GB2A221J	MG RESISTOR	220Ω 1/10W J	1	
	R573	RK73GB2A105J	MG RESISTOR	1MΩ 1/10W J	1	
	R577	RK73GB2A330J	MG RESISTOR	33Ω 1/10W J	1	
	R578	RK73GB2A330J	MG RESISTOR	33Ω 1/10W J	1	
	R579	RK73GB2A222J	MG RESISTOR	2.2kΩ 1/10W J	1	
	R580	RK73GB2A222J	MG RESISTOR	2.2kΩ 1/10W J	1	
	R589	RK73GB2A821J	MG RESISTOR	820Ω 1/10W J	1	
	R590	RK73GB2A821J	MG RESISTOR	820Ω 1/10W J	1	
	R591	RK73EB2E431J	MG RESISTOR	430Ω 1/4W J	1	
	R701	RK73GB2A162J	MG RESISTOR	1.6kΩ 1/10W J	1	
	R702	RK73GB2A472J	MG RESISTOR	4.7kΩ 1/10W J	1	
	R703	RK73GB2A162J	MG RESISTOR	1.6kΩ 1/10W J	1	
	R704	RK73GB2A162J	MG RESISTOR	1.6kΩ 1/10W J	1	
	R705	RK73GB2A162J	MG RESISTOR	1.6kΩ 1/10W J	1	
	R706	RK73GB2A473J	MG RESISTOR	47kΩ 1/10W J	1	
	R707	RK73GB2A162J	MG RESISTOR	1.6kΩ 1/10W J	1	
	R708	RK73GB2A911J	MG RESISTOR	910Ω 1/10W J	1	
	R709	RK73GB2A332J	MG RESISTOR	3.3kΩ 1/10W J	1	
	R710	RK73GB2A104J	MG RESISTOR	100kΩ 1/10W J	1	
	R717	RK73GB2A103J	MG RESISTOR	10kΩ 1/10W J	1	
	R718	RK73EB2E222J	MG RESISTOR	2.2kΩ 1/4W J	1	
	R719	RK73GB2A222J	MG RESISTOR	2.2kΩ 1/10W J	1	
	R720	RK73GB2A222J	MG RESISTOR	2.2kΩ 1/10W J	1	
	R721	RK73GB2A102J	MG RESISTOR	1kΩ 1/10W J	1	
	R722	RK73GB2A102J	MG RESISTOR	1kΩ 1/10W J	1	
	R723	RK73GB2A222J	MG RESISTOR	2.2kΩ 1/10W J	1	
	R725	RK73GB2A473J	MG RESISTOR	47kΩ 1/10W J	1	E1
	R726	RK73GB2A473J	MG RESISTOR	47kΩ 1/10W J	1	
	R727	RK73GB2A911J	MG RESISTOR	910Ω 1/10W J	1	
	R728	RK73GB2A473J	MG RESISTOR	47kΩ 1/10W J	1	
	R729	RK73GB2A105J	MG RESISTOR	1MΩ 1/10W J	1	
	R730	RK73GB2A222J	MG RESISTOR	2.2kΩ 1/10W J	1	
	R731	RK73GB2A153J	MG RESISTOR	15kΩ 1/10W J	1	
	R732	RK73GB2A153J	MG RESISTOR	15kΩ 1/10W J	1	
	R733	RK73GB2A220J	MG RESISTOR	22Ω 1/10W J	1	
	R734	RK73GB2A220J	MG RESISTOR	22Ω 1/10W J	1	
	R735	RK73GB2A473J	MG RESISTOR	47kΩ 1/10W J	1	
	R738	RK73GB2A473J	MG RESISTOR	47kΩ 1/10W J	1	
	R739	RK73GB2A473J	MG RESISTOR	47kΩ 1/10W J	1	
	R740	RK73GB2A225J	MG RESISTOR	2.2MΩ 1/10W J	1	E4,K1,K0,R0
	R741	RK73GB2A333J	MG RESISTOR	33kΩ 1/10W J	1	E4
	R741	RK73GB2A223J	MG RESISTOR	22kΩ 1/10W J	1	K1,R0
	R741	RK73GB2A153J	MG RESISTOR	15kΩ 1/10W J	1	E1
	R741	RK73GB2A473J	MG RESISTOR	47kΩ 1/10W J	1	K0
	R742	RK73GB2A393J	MG RESISTOR	39kΩ 1/10W J	1	E4,E1
	R742	RK73GB2A223J	MG RESISTOR	22kΩ 1/10W J	1	R0
	R743	RK73GB2A153J	MG RESISTOR	15kΩ 1/10W J	1	E4
	R743	RK73GB2A273J	MG RESISTOR	27kΩ 1/10W J	1	K1,R0
	R743	RK73GB2A333J	MG RESISTOR	33kΩ 1/10W J	1	E1

MODEL	MARK	MODEL	MARK	MODEL	MARK	MODEL	MARK
KDC-130Y	E4	KDC-258U	K1	KDC-361U	E1	KDC-MP258U	K0
KDC-MP3058U	R0						

Safe	Symbol No.	Parts No.	Parts Name	Description	QTY	Local
	R745	RK73GB2A822J	MG RESISTOR	8.2kΩ 1/10W J	1	E4,E1
	R745	RK73GB2A473J	MG RESISTOR	47kΩ 1/10W J	1	K1,K0
	R745	RK73GB2A273J	MG RESISTOR	27kΩ 1/10W J	1	R0
	R746	RK73GB2A473J	MG RESISTOR	47kΩ 1/10W J	1	
	R747	RK73GB2A473J	MG RESISTOR	47kΩ 1/10W J	1	
	R748	RK73GB2A473J	MG RESISTOR	47kΩ 1/10W J	1	
	R749	RK73GB2A473J	MG RESISTOR	47kΩ 1/10W J	1	
	R756	RK73GB2A473J	MG RESISTOR	47kΩ 1/10W J	1	
	R757	RK73GB2A473J	MG RESISTOR	47kΩ 1/10W J	1	
	R758	RK73GB2A102J	MG RESISTOR	1kΩ 1/10W J	1	
	R759	RK73GB2A472J	MG RESISTOR	4.7kΩ 1/10W J	1	
	R760	RK73GB2A472J	MG RESISTOR	4.7kΩ 1/10W J	1	
	R761	RK73GB2A103J	MG RESISTOR	10kΩ 1/10W J	1	
	R762	RK73GB2A103J	MG RESISTOR	10kΩ 1/10W J	1	
	R763	RK73GB2A222J	MG RESISTOR	2.2kΩ 1/10W J	1	
	R764	RK73GB2A472J	MG RESISTOR	4.7kΩ 1/10W J	1	
	R765	RK73GB2A472J	MG RESISTOR	4.7kΩ 1/10W J	1	
	R769	RK73GB2A473J	MG RESISTOR	47kΩ 1/10W J	1	
	R773	RK73EB2E102J	MG RESISTOR	1kΩ 1/4W J	1	
	R776	RK73GB2A271J	MG RESISTOR	270Ω 1/10W J	1	
	R777	RK73GB2A271J	MG RESISTOR	270Ω 1/10W J	1	
	R779	RK73GB2A101J	MG RESISTOR	100Ω 1/10W J	1	
	R780	RK73GB2A223J	MG RESISTOR	22kΩ 1/10W J	1	
	R781	RK73GB2A331J	MG RESISTOR	330Ω 1/10W J	1	
	R783	RK73GB2A104J	MG RESISTOR	100kΩ 1/10W J	1	
	R784	RK73GB2A103J	MG RESISTOR	10kΩ 1/10W J	1	
	R840	RK73GB2A473J	MG RESISTOR	47kΩ 1/10W J	1	
	R841	RK73GB2A473J	MG RESISTOR	47kΩ 1/10W J	1	
	R842	RK73GB2A473J	MG RESISTOR	47kΩ 1/10W J	1	
	R891	RK73GB2A103J	MG RESISTOR	10kΩ 1/10W J	1	
	R892	RK73GB2A683J	MG RESISTOR	68kΩ 1/10W J	1	
	R893	RK73GB2A123J	MG RESISTOR	12kΩ 1/10W J	1	
	R901	RK73GB2A333J	MG RESISTOR	33kΩ 1/10W J	1	
	R902	RK73GB2A472J	MG RESISTOR	4.7kΩ 1/10W J	1	
	R903	RK73GB2A273J	MG RESISTOR	27kΩ 1/10W J	1	
	R904	RK73GB2A472J	MG RESISTOR	4.7kΩ 1/10W J	1	
	R905	RK73GB2A100J	MG RESISTOR	10Ω 1/10W J	1	
	R908	RK73GB2A000J	MG RESISTOR	0Ω 1/10W J	1	K1,R0
	R909	RK73EB2E000J	MG RESISTOR	0Ω 1/4W J	1	E4,E1
	R911	RK73EB2E472J	MG RESISTOR	4.7kΩ 1/4W J	1	
	R914	RK73GB2A102J	MG RESISTOR	1kΩ 1/10W J	1	
	R915	RK73GB2A000J	MG RESISTOR	0Ω 1/10W J	1	
	R921	RK73EB2E103J	MG RESISTOR	10kΩ 1/4W J	1	
	R940	RK73GB2A102J	MG RESISTOR	1kΩ 1/10W J	1	
	R941	RK73GB2A223J	MG RESISTOR	22kΩ 1/10W J	1	
	R969	RK73GB2A563J	MG RESISTOR	56kΩ 1/10W J	1	
	R970	RK73FB2B683J	MG RESISTOR	68kΩ 1/8W J	1	
	R971	RK73FB2B473J	MG RESISTOR	47kΩ 1/8W J	1	
	R972	RK73GB2A104J	MG RESISTOR	100kΩ 1/10W J	1	
	R973	RK73GB2A333J	MG RESISTOR	33kΩ 1/10W J	1	
	R974	RK73GB2A223J	MG RESISTOR	22kΩ 1/10W J	1	
	R975	RK73GB2A333J	MG RESISTOR	33kΩ 1/10W J	1	
	R976	RK73GB2A104J	MG RESISTOR	100kΩ 1/10W J	1	
	R977	RK73GB2A223J	MG RESISTOR	22kΩ 1/10W J	1	
	R978	RK73EB2E473J	MG RESISTOR	47kΩ 1/4W J	1	
	R979	RK73EB2E682J	MG RESISTOR	6.8kΩ 1/4W J	1	
	R980	RK73EB2E682J	MG RESISTOR	6.8kΩ 1/4W J	1	
	R982	RK73GH2A183D	MG RESISTOR	18kΩ 1/10W D	1	
	R984	RK73GH2A432D	MG RESISTOR	4.3kΩ 1/10W D	1	
	R985	RK73GB2A471J	MG RESISTOR	470Ω 1/10W J	1	
	R986	RK73GB2A000J	MG RESISTOR	0Ω 1/10W J	1	
	R987	RK73GB2A103J	MG RESISTOR	10kΩ 1/10W J	1	
	R988	RK73EB2E222J	MG RESISTOR	2.2kΩ 1/4W J	1	
	R989	RK73GB2A103J	MG RESISTOR	10kΩ 1/10W J	1	
	R990	RK73GH2A203D	MG RESISTOR	20kΩ 1/10W D	1	
	L3	NQLM93K-R10X	COIL	0.1uH K	1	
	L5	NQLM93K-4R7X	COIL	4.7uH K	1	
	L6	NQLM93K-R15X	COIL	0.15uH K	1	
	L7	NQLM93K-R47X	COIL	0.47uH K	1	
	L8	NQLM93K-1R0X	COIL	1uH K	1	
	L9	NQL79GM-4R7X	COIL	4.7uH M	1	E4,K1,E1,K0
	L9	LR73Z0AD4R7M	COIL	4.7uH	1	R0
	L10	NQLM93K-R12X	COIL	0.12uH K	1	
	L11	NQLM93K-R22X	COIL	0.22uH K	1	
	L540	NQR0022-005X	FERRITE BEADS		1	
	L541	NQR0022-005X	FERRITE BEADS		1	
	L542	NQR0022-005X	FERRITE BEADS		1	
	L574	NQR0022-005X	FERRITE BEADS		1	
	L701	NQR0022-005X	FERRITE BEADS		1	
	L750	NQR0269-017X	FERRITE BEADS		1	
	L751	NQR0269-030X	FERRITE BEADS		1	
	L752	NQR0022-005X	FERRITE BEADS		1	
	L753	NQR0022-005X	FERRITE BEADS		1	
	L754	NQR0022-005X	FERRITE BEADS		1	
	L755	NQR0022-005X	FERRITE BEADS		1	
	L756	NQR0022-005X	FERRITE BEADS		1	
	L757	NQR0022-005X	FERRITE BEADS		1	
	L758	NQR0154-006X	FERRITE CORE		1	
	L777	NQR0022-005X	FERRITE BEADS		1	
	L778	NQR0022-005X	FERRITE BEADS		1	
	L779	NQR0022-005X	FERRITE BEADS		1	
	L780	NQR0022-005X	FERRITE BEADS		1	

MODEL	MARK	MODEL	MARK	MODEL	MARK	MODEL	MARK
KDC-130Y	E4	KDC-258U	K1	KDC-361U	E1	KDC-MP258U	K0
KDC-MP3058U	R0						

Safe	Symbol No.	Parts No.	Parts Name	Description	QTY	Local
	L781	NQR0022-005X	FERRITE BEADS		1	
	L782	NQR0022-005X	FERRITE BEADS		1	
	L783	NQR0022-005X	FERRITE BEADS		1	
	L841	NQR0154-006X	FERRITE CORE		1	
	L901	QQR1909-001	CHOKE COIL		1	
	L941	NQL79GM-4R7X	COIL	4.7uH M	1	
	L981	NQLN9EM-150X	COIL	15uH M	1	
	L982	NQLH25M-4R7X	COIL	4.7uH M	1	
	CN502	QGF1040F1-24	CONNECTOR	FFC/FPC (1-24)	1	
	CN701	QGZ1102J1-20	CONNECTOR	(1-20)	1	
	CN901	QNZ0607-001	CAR CONNECTOR		1	
	J1	QNB0356-001	ANT TERMINAL		1	E4,K1,E1,K0
	J1	QNB0358-001	ANT TERMINAL		1	R0
	J321	QNN0868-001	PIN JACK		1	E4,K0,R0
	J321	QNN0874-001	PIN JACK		1	K1,E1
	S701	QSW0648-001Z	TACT SWITCH		1	
	X1	QAX0969-001Z	CRYSTAL		1	
	X540	NAX1224-001X	CRYSTAL		1	
	X701	NAX1243-001X	CRYSTAL		1	
SW PWB ASSY (GEA10364-0xA) <SW>						
	IC661	BU97520KV-X	IC		1	
	IC681	SIR8630B6T	IR DETECT UNIT		1	E4,K1,K0,R0
	Q611	LSCR523UB-X	TRANSISTOR		1	
	Q661	LSCR523UB-X	TRANSISTOR		1	
	Q662	LSCR523UB-X	TRANSISTOR		1	
	Q663	LSCR523EB-X	TRANSISTOR		1	K0
	Q664	LSCR523UB-X	TRANSISTOR		1	
	Q681	LTA014EUB-X	DIGI TRANSISTOR		1	E4,K1,K0,R0
	Q682	LTC014EUB-X	DIGI TRANSISTOR		1	E4,K1,K0,R0
	D611	MBRX130-TP-X	SB DIODE		1	
	D612	DZ2J062/M/-X	Z DIODE		1	
	D613	MBRX130-TP-X	SB DIODE		1	
	D622	NESM026DT-W	LED		1	R0
	D624	NESM026DT-W	LED		1	R0
	D626	NESM026DT-W	LED		1	R0
	D631	DZ2J051/M/-X	Z DIODE		1	
	D632	DZ2J051/M/-X	Z DIODE		1	
	D661	SML-310VT-X	LED		1	E4,K1,E1,K0
	D661	SML-D12V8W-X	LED		1	R0
	D662	LRTBGFTG/Z1Z1X	LED		1	E4,K1,E1,K0
	D663	LRTBGFTG/Z1Z1X	LED		1	E4,K1,E1,K0
	D666	LRTBGFTG/Z1Z1X	LED		1	E4,K1,E1,K0
	D669	LTRBR8SF/Z1Z1X	LED		1	
	C610	NCB31CK-105X	C CAPACITOR	1uF 16V K	1	
	C614	CK73GBB1H472K	C CAPACITOR	4700pF 50V K	1	
	C615	NCB31CK-105X	C CAPACITOR	1uF 16V K	1	
	C616	NCB31CK-105X	C CAPACITOR	1uF 16V K	1	
	C631	CK73GBB1H472K	C CAPACITOR	4700pF 50V K	1	
	C632	CC73GCH1H270J	C CAPACITOR	27pF 50V J	1	
	C633	CC73GCH1H270J	C CAPACITOR	27pF 50V J	1	
	C634	CK73EXR1E106K	C CAPACITOR	10uF 25V K	1	
	C635	CK73GBB1H471K	C CAPACITOR	470pF 50V K	1	
	C636	CK73GBB1H472K	C CAPACITOR	4700pF 50V K	1	
	C638	CK73GBB1H472K	C CAPACITOR	4700pF 50V K	1	
	C639	CK73GBB1H472K	C CAPACITOR	4700pF 50V K	1	
	C641	NCB31HK-104X	C CAPACITOR	0.1uF 50V K	1	E4,K1,K0
	C641	NCB31AK-105X	C CAPACITOR	1uF 10V K	1	R0
	C691	CK73EXR1E106K	C CAPACITOR	10uF 25V K	1	
	R601	RK73GB2A000J	MG RESISTOR	0Ω 1/10W J	1	E4,K1,E1,R0
	R610	RK73GB2A101J	MG RESISTOR	100Ω 1/10W J	1	
	R612	RK73FB2B331J	MG RESISTOR	330Ω 1/8W J	1	
	R613	RK73GB2A102J	MG RESISTOR	1kΩ 1/10W J	1	
	R617	RK73GB2A101J	MG RESISTOR	100Ω 1/10W J	1	
	R618	RK73GB2A101J	MG RESISTOR	100Ω 1/10W J	1	
	R620	RK73GB2A101J	MG RESISTOR	100Ω 1/10W J	1	
	R622	RK73GB2A101J	MG RESISTOR	100Ω 1/10W J	1	
	R623	RK73GB2A473J	MG RESISTOR	47kΩ 1/10W J	1	
	R624	RK73GB2A101J	MG RESISTOR	100Ω 1/10W J	1	
	R625	RK73GB2A101J	MG RESISTOR	100Ω 1/10W J	1	
	R626	RK73GB2A101J	MG RESISTOR	100Ω 1/10W J	1	
	R627	RK73GB2A101J	MG RESISTOR	100Ω 1/10W J	1	
	R630	RK73FB2B100J	MG RESISTOR	10Ω 1/8W J	1	
	R631	RK73FB2B100J	MG RESISTOR	10Ω 1/8W J	1	
	R632	RK73EB2E103J	MG RESISTOR	10kΩ 1/4W J	1	
	R634	RK73FB2B4R7J	MG RESISTOR	4.7Ω 1/8W J	1	
	R645	RK73FB2B102J	MG RESISTOR	1kΩ 1/8W J	1	R0
	R657	RK73FB2B751J	MG RESISTOR	750Ω 1/8W J	1	R0
	R659	RK73FB2B751J	MG RESISTOR	750Ω 1/8W J	1	R0
	R661	RK73EB2E751J	MG RESISTOR	750Ω 1/4W J	1	E4,K1,E1,K0
	R661	RK73EB2E222J	MG RESISTOR	2.2kΩ 1/4W J	1	R0
	R663	RK73FB2B471J	MG RESISTOR	470Ω 1/8W J	1	E4,K1,E1,K0
	R663	RK73FB2B751J	MG RESISTOR	750Ω 1/8W J	1	R0
	R665	RK73FB2B471J	MG RESISTOR	470Ω 1/8W J	1	E4,K1,E1,K0
	R665	RK73FB2B751J	MG RESISTOR	750Ω 1/8W J	1	R0
	R667	RK73FB2B751J	MG RESISTOR	750Ω 1/8W J	1	E4,K1,E1,K0
	R667	RK73FB2B102J	MG RESISTOR	1kΩ 1/8W J	1	R0
	R675	RK73FB2B911J	MG RESISTOR	910Ω 1/8W J	1	
	R677	RK73FB2B911J	MG RESISTOR	910Ω 1/8W J	1	
	R679	RK73FB2B112J	MG RESISTOR	1.1kΩ 1/8W J	1	
	R681	RK73FB2B561J	MG RESISTOR	560Ω 1/8W J	1	
	R683	RK73FB2B561J	MG RESISTOR	560Ω 1/8W J	1	

MODEL	MARK	MODEL	MARK	MODEL	MARK	MODEL	MARK
KDC-130Y	E4	KDC-258U	K1	KDC-361U	E1	KDC-MP258U	K0
KDC-MP3058U	R0						

Safe	Symbol No.	Parts No.	Parts Name	Description	QTY	Local
	R685	RK73FB2B751J	MG RESISTOR	750Ω 1/8W J	1	
	R690	RK73EB2E000J	MG RESISTOR	0Ω 1/4W J	1	
	R698	RK73EB2E000J	MG RESISTOR	0Ω 1/4W J	1	
	R699	RK73EB2E000J	MG RESISTOR	0Ω 1/4W J	1	
	RA601	RK74GB1J472J	NET RESISTOR	4.7kΩ 1/16W J	1	
	CN601	QGZ1102K3-20X	CONNECTOR	(1-20)	1	
	CN603	QNZ1076-001	USB CONNECTOR		1	
	EN601	QSW1288-001	ROTARY ENCODER		1	
	J602	QNS0320-001	3.5 JACK		1	
	LF691	NQR0704-001X	CHOKE COIL		1	
	CD MECHA PWB ASSY (LVA20106-01A) IN CD MECHA <CD>					
	IC1	BD8266EFV-M-X	IC		1	
	C26	CK730BW1C106K	C CAPACITOR	10uF 16V K	1	
	C54	NCB31HK-104X	C CAPACITOR	0.1uF 50V K	1	
	C55	CK730BW1C106K	C CAPACITOR	10uF 16V K	1	
	R18	RK73GB2A822J	MG RESISTOR	8.2kΩ 1/10W J	1	
	R21	RK73GB2A822J	MG RESISTOR	8.2kΩ 1/10W J	1	
	R24	RK73GB2A272J	MG RESISTOR	2.7kΩ 1/10W J	1	
	R27	RK73GB2A562J	MG RESISTOR	5.6kΩ 1/10W J	1	
	R28	RK73GB2A114J	MG RESISTOR	110kΩ 1/10W J	1	
	R29	RK73GB2A101J	MG RESISTOR	100Ω 1/10W J	1	
	R30	RK73GB2A101J	MG RESISTOR	100Ω 1/10W J	1	
	R36	RK73GB2A000J	MG RESISTOR	0Ω 1/10W J	1	
	R37	RK73GB2A000J	MG RESISTOR	0Ω 1/10W J	1	
	R38	RK73GB2A000J	MG RESISTOR	0Ω 1/10W J	1	
	R40	RK73GB2A000J	MG RESISTOR	0Ω 1/10W J	1	
	R42	RK73EB2E000J	MG RESISTOR	0Ω 1/4W J	1	
	R47	RK73EB2E000J	MG RESISTOR	0Ω 1/4W J	1	
	R48	RK73EB2E000J	MG RESISTOR	0Ω 1/4W J	1	
	R50	RK73GB2A131J	MG RESISTOR	130Ω 1/10W J	1	
	CN1	QGF1044F2-24X	CONNECTOR	FFC/FPC (1-24)	1	
	CN2	QGF0522F6-15W	CONNECTOR	FFC/FPC (1-15)	1	
	SW1	NSW0349-001X	DETECT SWITCH		1	
	SW2	NSW0349-001X	DETECT SWITCH		1	
	SW3	NSW0350-001X	DETECT SWITCH		1	
	CD PLAYER UNIT (X32-6680-00) IN CD MECHA <X32>					
	IC1	BD8266EFV-M-X	IC		1	
	C26	CK730BW1C106K	C CAPACITOR	10uF 16V K	1	
	C54	CK73GB1H104K	C CAPACITOR 2		1	
	C55	CK730BW1C106K	C CAPACITOR	10uF 16V K	1	
	R18	RK73GB2A822J	MG RESISTOR	8.2kΩ 1/10W J	1	
	R21	RK73GB2A822J	MG RESISTOR	8.2kΩ 1/10W J	1	
	R24	RK73GB2A272J	MG RESISTOR	2.7kΩ 1/10W J	1	
△	R27	RK73GB2A562J	MG RESISTOR	5.6kΩ 1/10W J	1	
	R28	RK73GB2A114J	MG RESISTOR	110kΩ 1/10W J	1	
	R29	RK73GB2A101J	MG RESISTOR	100Ω 1/10W J	1	
	R30	RK73GB2A101J	MG RESISTOR	100Ω 1/10W J	1	
	R36	RK73GB2A000J	MG RESISTOR	0Ω 1/10W J	1	
	R37	RK73GB2A000J	MG RESISTOR	0Ω 1/10W J	1	
	R38	RK73GB2A000J	MG RESISTOR	0Ω 1/10W J	1	
	R40	RK73GB2A000J	MG RESISTOR	0Ω 1/10W J	1	
	R42	RK73EB2E000J	MG RESISTOR	0Ω 1/4W J	1	
	R47	RK73EB2E000J	MG RESISTOR	0Ω 1/4W J	1	
	R48	RK73EB2E000J	MG RESISTOR	0Ω 1/4W J	1	
	R50	RK73GB2A131J	MG RESISTOR	130Ω 1/10W J	1	
	CN1	QGF1044F2-24X	CONNECTOR	FFC/FPC (1-24)	1	
	CN2	E41-3488-05	CONNECTOR		1	
	S1	S68-0931-05	PUSH SWITCH		1	
	S2	S68-0931-05	PUSH SWITCH		1	
	S3	S68-0932-05	PUSH SWITCH		1	