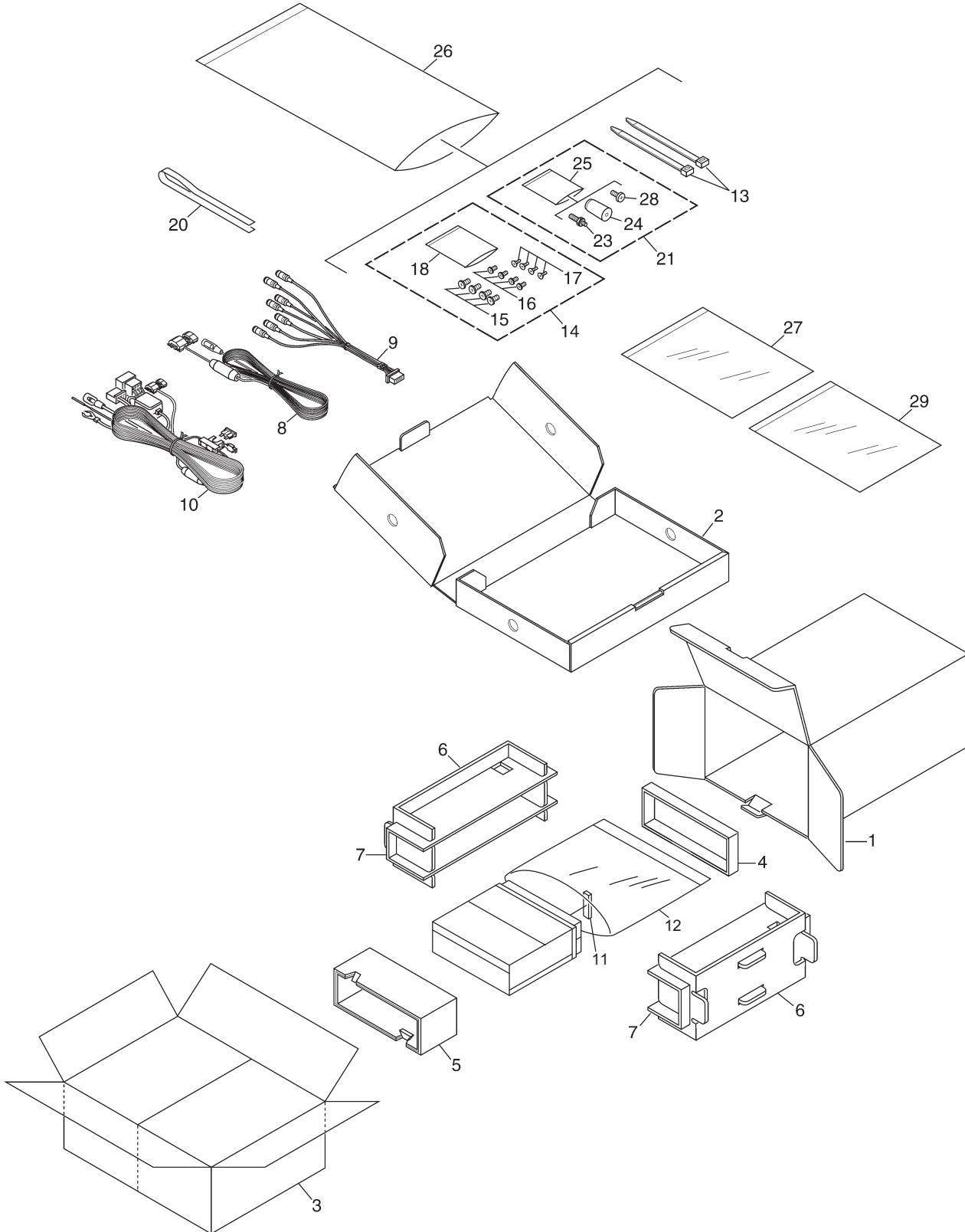


# 2. EXPLODED VIEWS AND PARTS LIST

NOTES : • Parts marked by "\*" are generally unavailable because they are not in our Master Spare Parts List.  
• The  $\triangle$  mark found on some component parts indicates the importance of the safety factor of the part. Therefore, when replacing, be sure to use parts of identical designation.  
• Screw adjacent to  $\nabla$  mark on the product are used for disassembly.  
• For the applying amount of lubricants or glue, follow the instructions in this manual.  
(In the case of no amount instructions, apply as you think it appropriate.)

## 2.1 PACKING(AVH-P5700DVD/EW)



**PACKING(AVH-P5700DVD/EW) SECTION PARTS LIST**

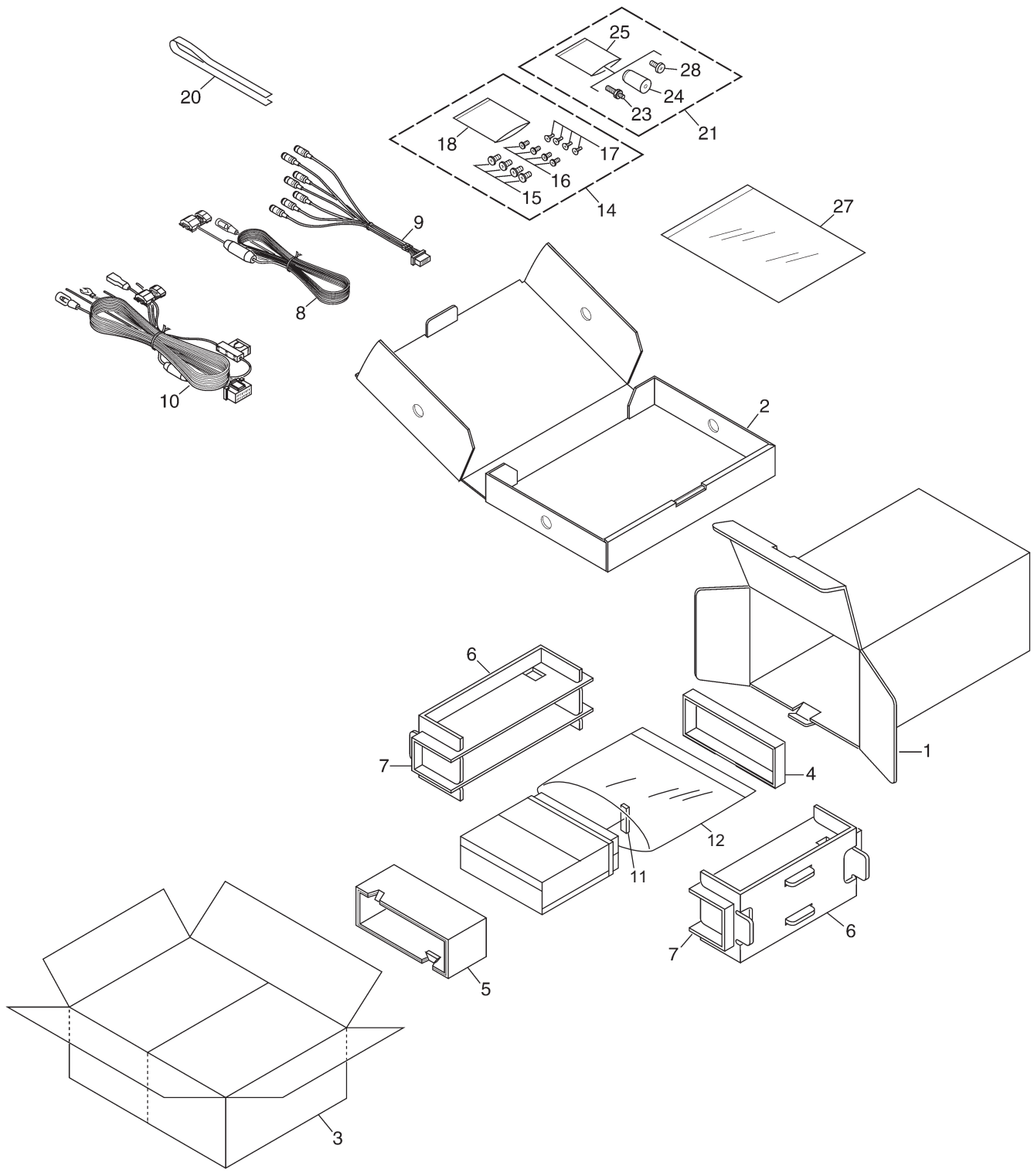
<u>Mark No.</u>	<u>Description</u>	<u>Part No.</u>	<u>Mark No.</u>	<u>Description</u>	<u>Part No.</u>
1	Carton	CHG5493			
2	Sub Carton	CHG5270	21	Accessory Assy	CEA4771
3	Contain Box	CHL5493	23	Screw	CBA1650
4	Protector	CHP2387	24	Bush	CNV1917
5	Protector	CHP2708	*	25 Polyethylene Bag	E36-615
			*	26 Polyethylene Bag	CEG-158
6	Protector	CHP2706			
7	Protector	CHP2707	27-1	Polyethylene Bag	CEG1116
8	Cord Assy	CDE7321	27-2	Owner's Manual	CRB2047
9	Cord Assy	CDE7801	27-3	Owner's Manual	CRB2048
10	Cord Assy	CDE7792	27-4	Owner's Manual	CRB2049
			27-5	Owner's Manual	CRB2050
11	Spacer	CNM9773			
12	Polyethylene Bag	CEG1088	*	27-6 Warranty Card	CRY1157
* 13	Lock Tie	CNV-754	*	27-7 Passport	CRY1013
14	Screw Assy	CEA5144	28	Screw	CBA1875
15	Screw	BMZ50P060FTC	29-1	Polyethylene Bag	CEG1116
			29-2	Owner's Manual	CRB2051
16	Screw(M4x3)	CBA1870			
17	Screw	CMZ50P060FTC	29-3	Owner's Manual	CRB2052
* 18	Polyethylene Sheet	CNM4338	29-4	Installation Manual	CRD3965
20	Sheet	CNM8603			

**Owner's Manual,Installation Manual**

<b>Part No.</b>	<b>Language</b>
CRB2047	English
CRB2048	Spanish
CRB2049	German
CRB2050	French
CRB2051	Italian
CRB2052	Dutch
CRD3965	English, Spanish, German, French, Italian, Dutch

## 2.2 PACKING(AVH-P5700DVD/UC)

A  
B  
C  
D  
E  
F



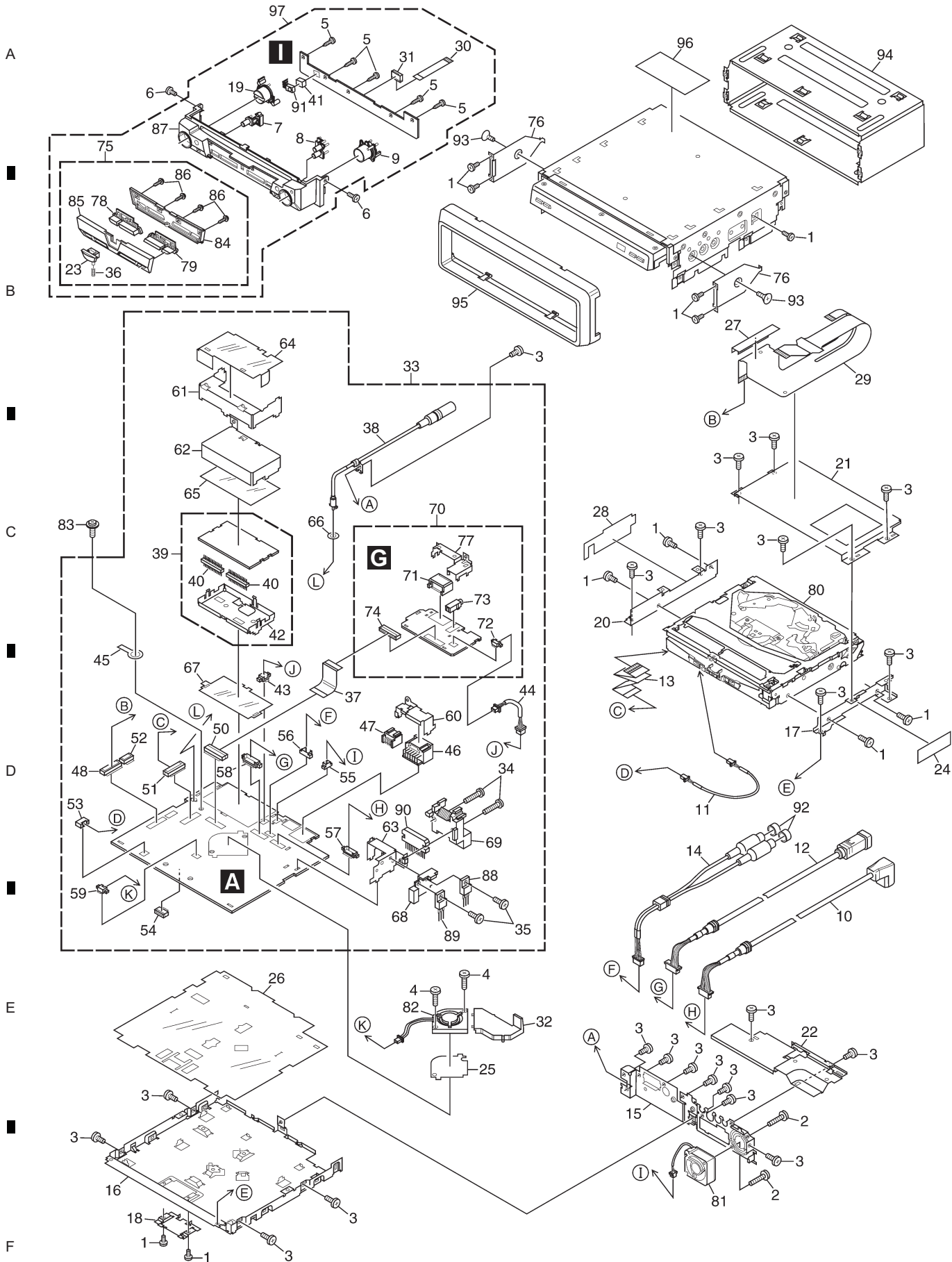
**PACKING(AVH-P5700DVD/UC) SECTION PARTS LIST**

<u>Mark No.</u>	<u>Description</u>	<u>Part No.</u>	<u>Mark No.</u>	<u>Description</u>	<u>Part No.</u>
1	Carton	CHG5494	17	Screw	CMZ50P060FTC
2	Sub Carton	CHG5270	* 18	Polyethylene Sheet	CNM4338
3	Contain Box	CHL5494	20	Sheet	CNM8603
4	Protector	CHP2387			
5	Protector	CHP2708	21	Accessory Assy	CEA4771
			23	Screw	CBA1650
6	Protector	CHP2706	24	Bush	CNV1917
7	Protector	CHP2707	* 25	Polyethylene Bag	E36-615
8	Cord Assy	CDE7321	26	*****	
9	Cord Assy	CDE7815			
10	Cord Assy	CDE7790	27-1	Polyethylene Bag	CEG1116
			27-2	Owner's Manual	CRB2053
11	Spacer	CNM9773	27-3	Owner's Manual	CRB2054
12	Polyethylene Bag	CEG1185	27-4	Installation Manual	CRD3966
13	*****		* 27-5	Registration Card	CRY1229
14	Screw Assy	CEA5144			
15	Screw	BMZ50P060FTC	27-6	Caution Card	CRP1310
			28	Screw	CBA1875
16	Screw(M4x3)	CBA1870			

**Owner's Manual,Installation Manual**

<b>Part No.</b>	<b>Language</b>
CRB2053	English
CRB2054	French
CRD3966	English, French

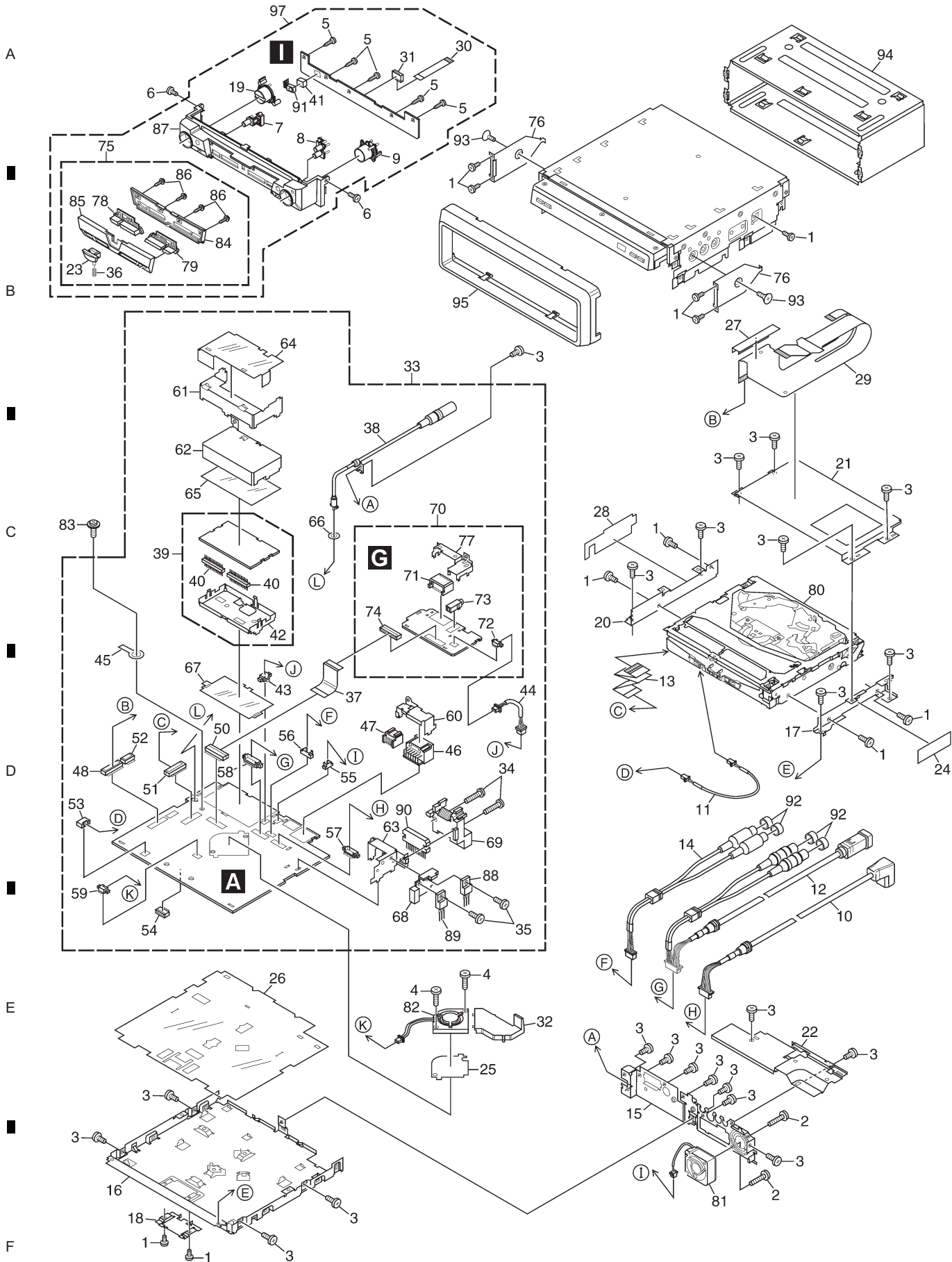
# 2.3 EXTERIOR(1)(AVH-P5700DVD/EW)



## EXTERIOR(1)(AVH-P5700DVD/EW) SECTION PARTS LIST

Mark No.	Description	Part No.	Mark No.	Description	Part No.
1	Screw	BMZ20P030FTB	50	Connector(CN151)	CKS4052
2	Screw	BMZ20P160FTC			
3	Screw	BMZ26P030FTC	51	Connector(CN181)	CKS4052
4	Screw(M2x8)	CBA1752	52	Connector(CN175)	CKS4068
5	Screw	BPZ20P060FTB	53	Connector(CN152)	CKS4282
			54	Connector(CN101)	CKS4511
6	Screw(M2x2)	CBA1872	55	Connector(CN771)	CKS4822
7	Button(EJECT)	CAC9051			
8	Button(A-BM)	CAC9052	56	Connector(CN561)	CKS4824
9	Button(CROSS)	CAC9053	57	Connector(CN121)	CKS4830
10	Cord Assy	CDE7176	58	Connector(CN131)	CKS4832
			59	Connector(CN781)	CKS4977
11	Cord	CDE7715	60	Holder	CND2629
12	Cord Assy	CDE7797			
13	Flat Cable	CDE7805	61	Holder	CND2630
14	Cord Assy	CDE7796	62	Shield	CND2631
15	Panel	CNB3101	63	Holder	CND2633
			64	Insulator	CNM9400
16	Case	CNB3104	65	Insulator	CNM9521
17	Bracket	CND1438			
18	Holder	CND1441	66	Spacer	CNM9522
19	Button(VOL)	CAC9050	67	Spacer	CNM9523
20	Bracket	CND2626	68	Heat Sink	CNR1703
			69	Heat Sink	CNR1784
21	Bracket	CND2627	70	RGB Unit	CWM9815
22	Holder	CND2628			
23	Lever Unit	CXC4211	71	Connector(CN951)	CKS4497
24	Insulator	CNM8495	72	Connector(CN952)	CKS4978
25	Insulator	CNM8864	73	Jack(CN981)	CKN1022
			74	Connector(CN954)	CKS4052
26	Insulator	CNM9398	75	Detach Grille Assy	CXC4192
27	Sheet	CNM9517			
28	Insulator	CNM9750	76	Bracket	CND1482
29	Flexible PCB	CNP8806	77	Holder	CND2634
30	FFC	CDE7807	78	Button(SRC/-.+)	CAC9054
			79	Button(ATT,EQ/BAND)	CAC9056
31	Connector(CN5501)	CKS4511	80	DVD Mechanism Module(MS-3V1)	CXK6418
32	Guide	CNV8415			
33	Mother Unit	CWM9808	81	Fan Motor(M771)	CXM1262
34	Screw	BMZ26P160FTC	82	Fan Motor(M781)	CXM1276
35	Screw	BSZ26P080FTC	83	Screw	IMS26P040FTC
			84	Cover	CNS8177
36	Spring	CBH2863	85	Grille	CNS8173
37	Flat Cable	CDE7806			
38	Antenna Cable	CDH1348	86	Screw	IPS20P060FTB
39	FM/AM Tuner Unit	CWE1650	87	Grille Unit	CXC4206
40	Connector(CN101,102)	CKS4653	88	Transistor(Q892)	2SD2396
			89	IC(IC871)	NJM2388F84
41	Cushion	CNM8671	90	IC(IC241)	PAL007A
42	Holder	CND1432			
43	Connector(CN154)	CKS4823	91	IC(IC5501)	TSOP4840SB1
44	Cord	CDE7809	92	Cap	CNV6727
45	Terminal(CN731)	CKF1064	93	Screw	CMZ50P060FTC
			94	Holder	CNC9510
46	Connector(CN701)	CKM1332	95	Panel	CNS7797
47	Socket(CN261)	CKM1457			
48	Connector(CN171)	CKS3751	96	Label	VRW1860
49	.....		97	Grille Assy	CXC4187

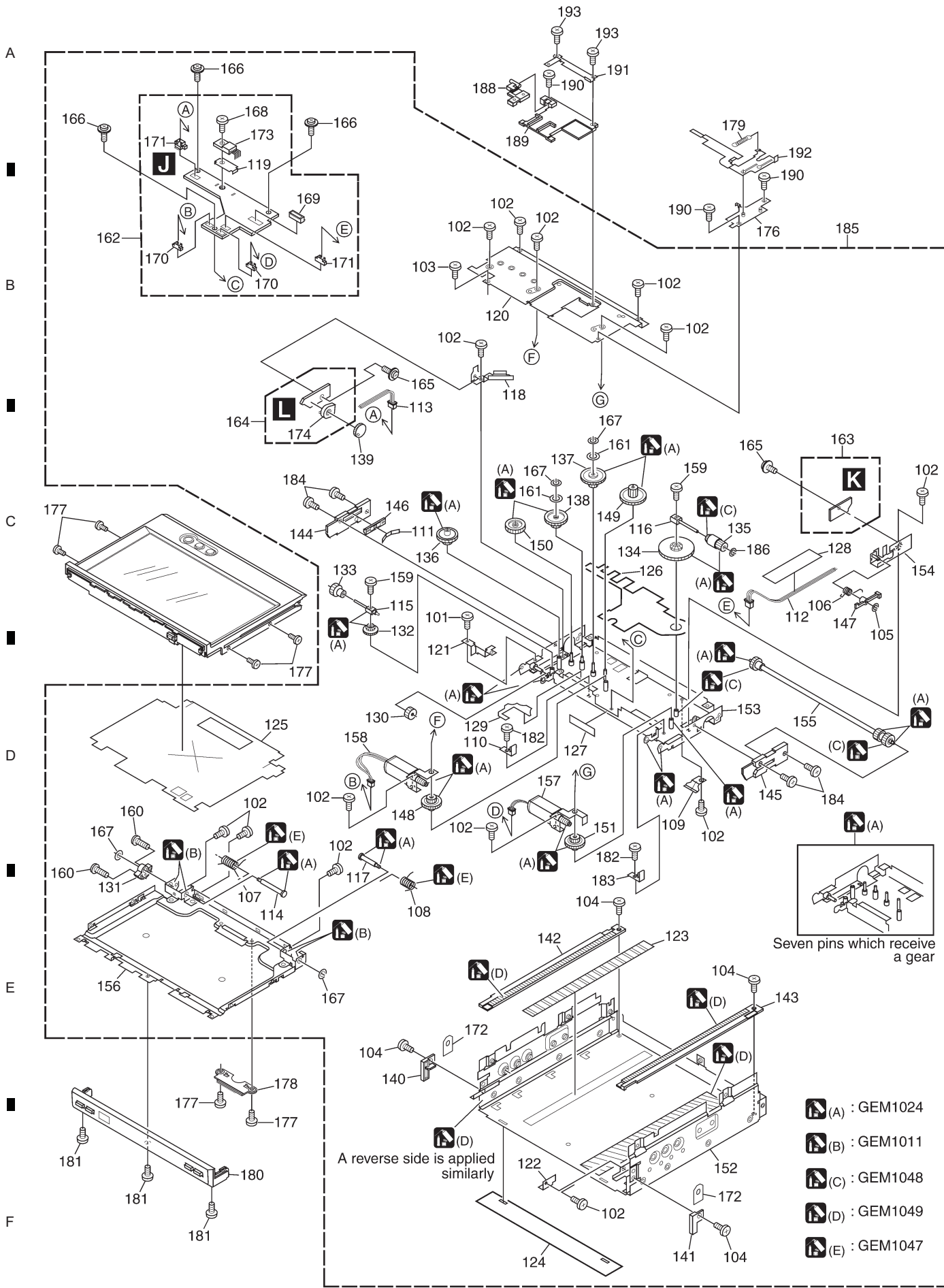
# 2.4 EXTERIOR(1)(AVH-P5700DVD/UC)



# EXTERIOR(1)(AVH-P5700DVD/UC) SECTION PARTS LIST

<u>Mark No.</u>	<u>Description</u>	<u>Part No.</u>	<u>Mark No.</u>	<u>Description</u>	<u>Part No.</u>
1	Screw	BMZ20P030FTB	50	Connector(CN151)	CKS4052
2	Screw	BMZ20P160FTC			
3	Screw	BMZ26P030FTC	51	Connector(CN181)	CKS4052
4	Screw(M2x8)	CBA1752	52	Connector(CN175)	CKS4068
5	Screw	BPZ20P060FTB	53	Connector(CN152)	CKS4282
			54	Connector(CN101)	CKS4511
6	Screw(M2x2)	CBA1872	55	Connector(CN771)	CKS4822
7	Button(EJECT)	CAC9051			
8	Button(A-BM)	CAC9052	56	Connector(CN561)	CKS4824
9	Button(CROSS)	CAC9053	57	Connector(CN121)	CKS4830
10	Cord Assy	CDE7176	58	Connector(CN131)	CKS4832
			59	Connector(CN781)	CKS4977
11	Cord	CDE7715	60	Holder	CND2629
12	Cord Assy	CDE7798			
13	Flat Cable	CDE7805	61	Holder	CND2630
14	Cord Assy	CDE7796	62	Shield	CND2631
15	Panel	CNB3102	63	Holder	CND2633
			64	Insulator	CNM9400
16	Case	CNB3104	65	Insulator	CNM9521
17	Bracket	CND1438			
18	Holder	CND1441	66	Spacer	CNM9522
19	Button(VOL)	CAC9050	67	Spacer	CNM9523
20	Bracket	CND2626	68	Heat Sink	CNR1703
			69	Heat Sink	CNR1784
21	Bracket	CND2627	70	RGB Unit	CWM9816
22	Holder	CND2628			
23	Lever Unit	CXC4211	71	Connector(CN951)	CKS4497
24	Insulator	CNM8495	72	Connector(CN952)	CKS4978
25	Insulator	CNM8864	73	Jack(CN981)	CKN1022
			74	Connector(CN954)	CKS4052
26	Insulator	CNM9398	75	Detach Grille Assy	CXC4193
27	Sheet	CNM9517			
28	Insulator	CNM9750	76	Bracket	CND1482
29	Flexible PCB	CNP8806	77	Holder	CND2634
30	FFC	CDE7807	78	Button(SRC/-,+)	CAC9054
			79	Button(BOOST,EQ/BAND)	CAC9055
31	Connector(CN5501)	CKS4511	80	DVD Mechanism Module(MS-3V1)	CXK6418
32	Guide	CNV8415			
33	Mother Unit	CWM9809	81	Fan Motor(M771)	CXM1262
34	Screw	BMZ26P160FTC	82	Fan Motor(M781)	CXM1276
35	Screw	BSZ26P080FTC	83	Screw	IMS26P040FTC
			84	Cover	CNS8177
36	Spring	CBH2863	85	Grille	CNS8174
37	Flat Cable	CDE7806			
38	Antenna Cable	CDH1348	86	Screw	IPS20P060FTB
39	FM/AM Tuner Unit	CWE1651	87	Grille Unit	CXC4206
40	Connector(CN101,102)	CKS4653	88	Transistor(Q892)	2SD2396
			89	IC(IC871)	NJM2388F84
41	Cushion	CNM8671	90	IC(IC241)	PAL007A
42	Holder	CND1432			
43	Connector(CN154)	CKS4823	91	IC(IC5501)	TSOP4840SB1
44	Cord	CDE7809	92	Cap	CNV6727
45	Terminal(CN731)	CKF1064	93	Screw	CMZ50P060FTC
			94	Holder	CNC9510
46	Connector(CN701)	CKM1332	95	Panel	CNS7797
47	Socket(CN261)	CKM1457			
48	Connector(CN171)	CKS3751	96	.....	
49	.....		97	Grille Assy	CXC4188

# 2.5 EXTERIOR(2)



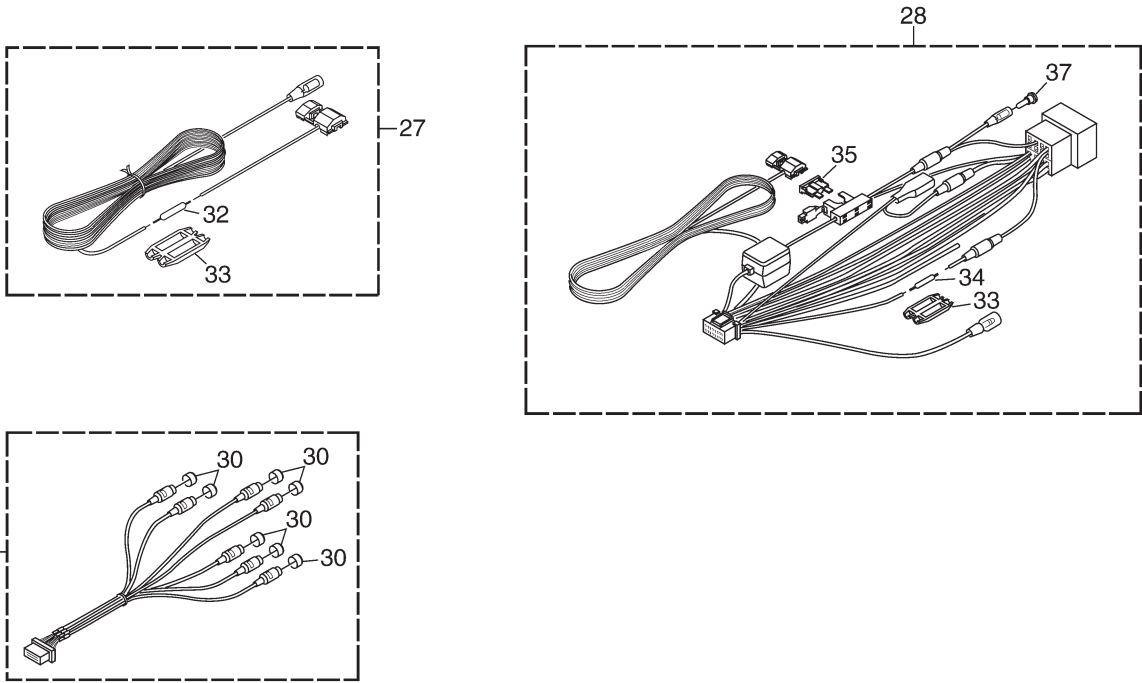
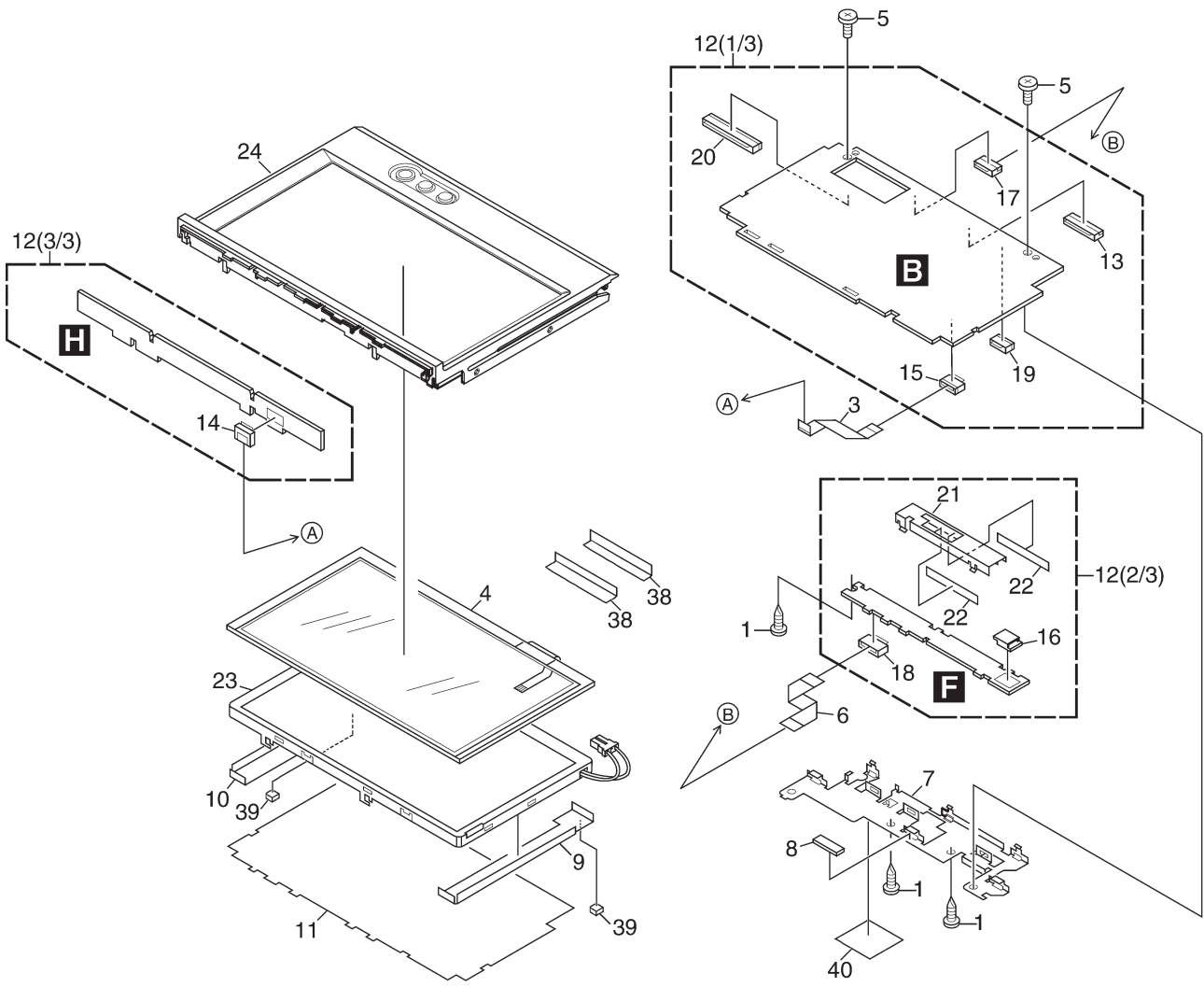
AVH-P5700DVD/EW

## EXTERIOR(2) SECTION PARTS LIST

<u>Mark No.</u>	<u>Description</u>	<u>Part No.</u>	<u>Mark No.</u>	<u>Description</u>	<u>Part No.</u>
101	Screw(M2x3)	CBA1082	150	Gear	CNR1709
102	Screw(M2x2.5)	CBA1250			
103	Screw(M2x4)	CBA1277	151	Gear	CNV7529
104	Screw(M2x1.5)	CBA1615	152	Chassis Unit	CXB9509
105	Washer	CBF1038	153	Frame Unit	CXB9511
			154	Holder Unit	CXB9512
106	Spring	CBH2645	155	Shaft Unit	CXB9513
107	Spring	CBH2646			
108	Spring	CBH2647	156	Holder Unit	CXB9514
109	Spring	CBL1585	157	Motor Unit(M3001)(Position)	CXB9515
110	Spring	CBL1586	158	Motor Unit(M3002)(Angle)	CXB9516
			159	Screw	CZB3082
111	Spring	CBL1587	160	Screw	CZB3083
112	Cord Assy	CDE7047			
113	Cord Assy	CDE7213	161	Washer	CZB3084
114	Shaft	CLA4270	162	Main Unit	CZW3087
115	Shaft	CLA4305	163	SW Unit	CZW3088
			164	Volume Unit	CZW3089
116	Shaft	CLA4306	165	Screw	IMS20P020FTC
117	Shaft	CLA4309			
118	Bracket	CND1221	166	Screw	IMS20P030FZK
119	Heat Sink	CND1228	167	Washer	YE15S
120	Case	CND1229	168	Screw	BMZ26P050FTC
			169	Connector(CN3801)	CKS4068
121	Holder	CND1318	170	Connector(CN3802,CN3803)	CKS4732
122	Holder	CND1449			
123	Sheet	CNM8522	171	Connector(CN3807,3809)	CKS4733
124	Sheet	CNM8037	172	Spacer	CNM9837
125	Insulator	CNM8048	173	IC(IC3801)	BA00AST
			174	Volume(VR3841)	CCW1025
126	Insulator	CNM8158	175	.....	
127	Sheet	CNM8159			
128	Tape	CNM8160	176	Bracket Unit	CXC3048
129	Insulator	CNM8294	177	Screw(M2x2)	CBA1872
130	Gear	CNR1664	178	Holder	CND2890
			179	Spring	CBH2750
131	Gear	CNR1665	180	Cover Unit(EW)	CXC5117
132	Gear	CNR1677			
133	Gear	CNR1678		Cover Unit(UC)	CXC5118
134	Gear	CNR1679	181	Screw(M2x2)	CBA1872
135	Gear	CNR1680	182	Screw(M2x1.8)	CZB3085
			183	Spring	CBL1642
136	Gear	CNR1688			
137	Gear	CNR1802	184	Screw(M2x4)	CZB3088
138	Gear	CNR1708	185	Drive Unit	CXC5111
139	Gear	CNV7383	186	Washer	CZB3089
140	Holder	CNV7384	187	Sheet	.....
			188	Arm	CNV8065
141	Holder	CNV7385			
142	Rack	CNV7386	189	Holder	CNV8066
143	Rack	CNV7387	190	Screw(M2x3)	CBA1876
144	Slider	CNV7388	191	Spring	CBL1679
145	Slider	CNV7389	192	Lever	CND2202
			193	Screw	CBA1797
146	Holder	CNV7390			
147	Arm	CNV7391			
148	Gear	CNV7522			
149	Gear	CNV7523			

# 2.6 EXTERIOR(3)(AVH-P5700DVD/EW)

A  
B  
C  
D  
E  
F



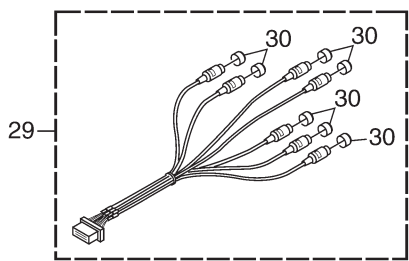
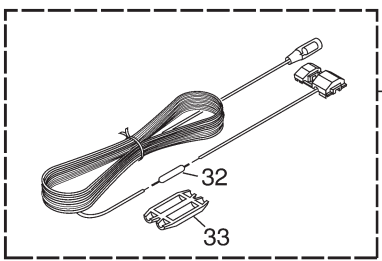
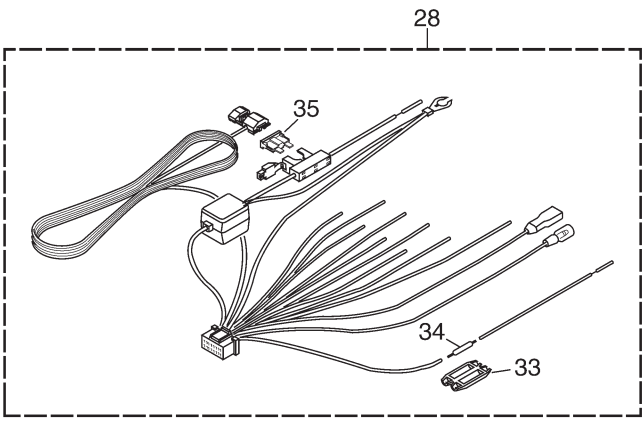
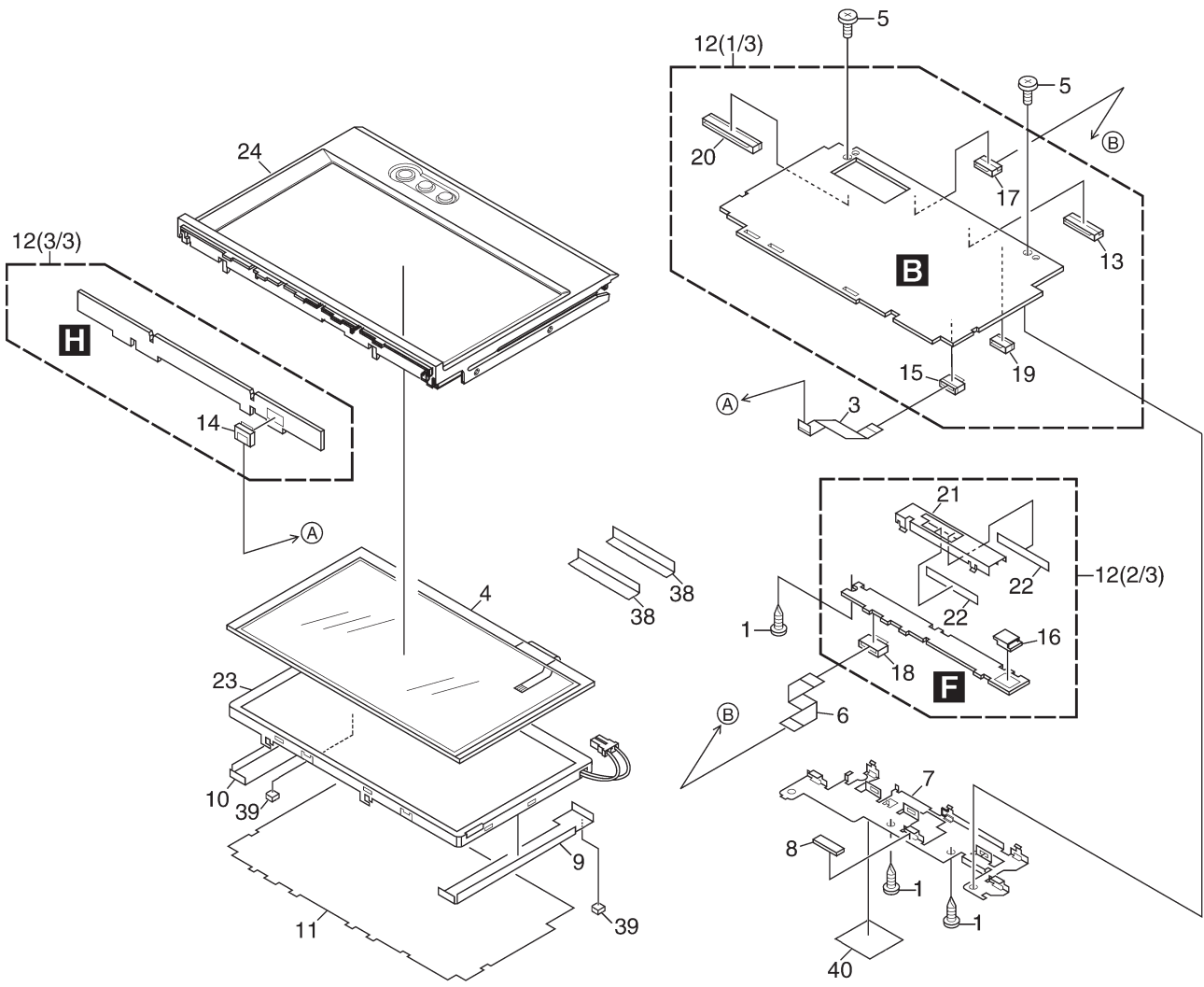
5 6 7 8

**EXTERIOR(3)(AVH-P5700DVD/EW) SECTION PARTS LIST**

<u>Mark No.</u>	<u>Description</u>	<u>Part No.</u>	
1	Screw	BPZ20P060FTC	
2	.....		A
3	FFC	CDE7195	
4	Touch Panel	CSX1087	
5	Screw(M2x2)	CBA1872	
6	FFC	CDE7814	
7	Holder	CND2610	
8	Gasket	CNM8600	
9	Sheet	CNM8265	
10	Sheet	CNM7784	
11	Insulator	CNM9390	B
12	Monitor Unit	CWM9820	
13	Connector(CN4541)	CKS3968	
14	Connector(CN4301)	CKS4054	
15	Connector(CN4591)	CKS4054	
16	Connector(CN5342)	CKS4428	
17	Connector(CN4521)	CKS4595	
18	Connector(CN5001)	CKS4595	
19	Connector(CN4501)	CKS4675	
20	Connector(CN4007)	CKS4872	C
21	Shield	CND2737	
22	Insulator	CNM9251	
23	LCD Module	CWX3151	
24	Grille Unit	CXC4198	
25	.....		
26	.....		
27	Cord Assy	CDE7321	
28	Cord Assy	CDE7792	
29	Cord Assy	CDE7801	
30	Cap	CNV6727	D
31	.....		
32	Resistor	RSV2PMF102J	
33	Cap	CNS1472	
34	Resistor	RS1/2PMF102J	
⚠ 35	Fuse(10A)	CEK1136	
36	.....		
37	Terminal Cover	CKX-003	
38	Sheet	CNM9742	E
39	Spacer	CNM9840	
40	Sheet	CNM9744	

# 2.7 EXTERIOR(3)(AVH-P5700DVD/UC)

A  
B  
C  
D  
E  
F



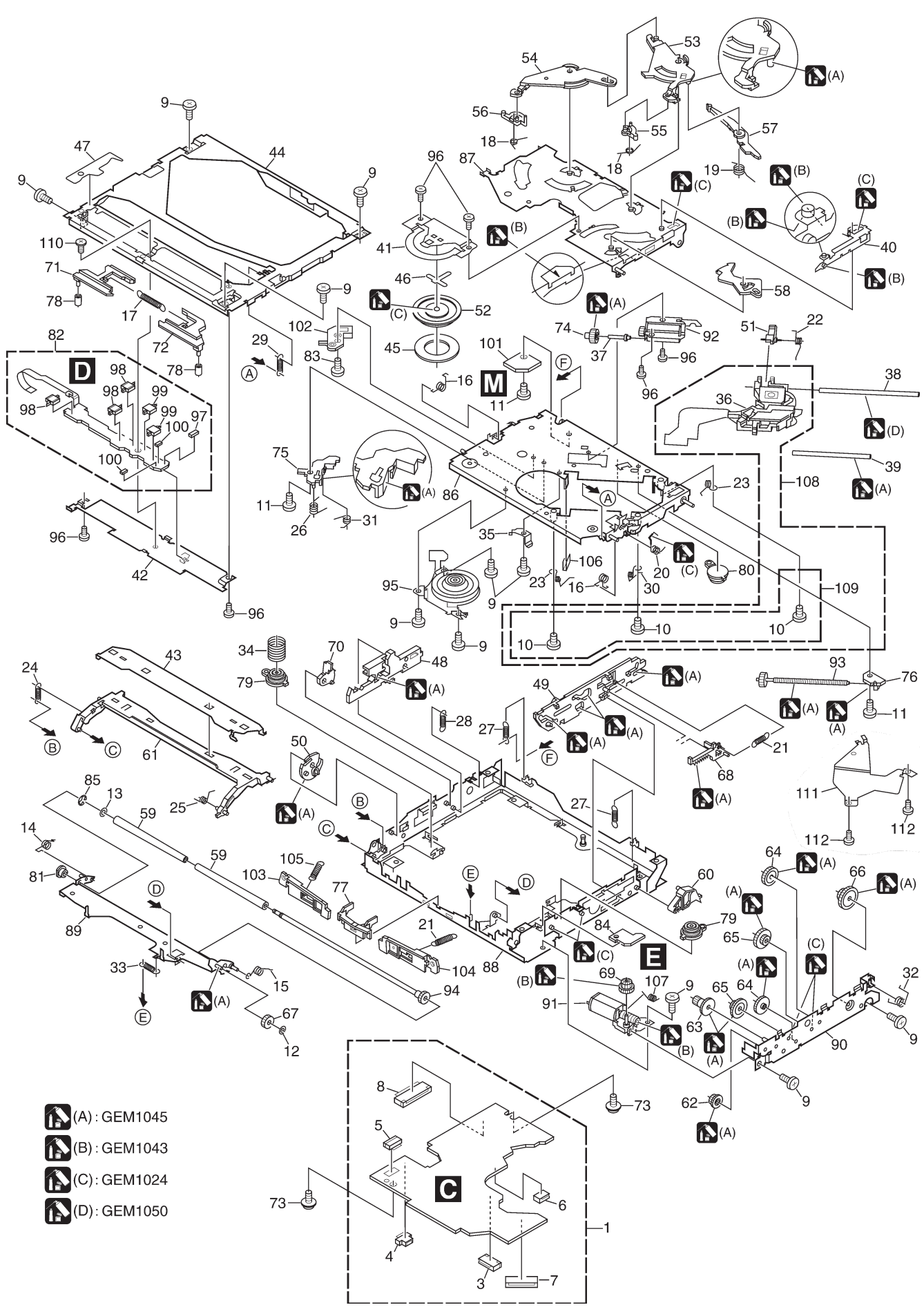
5 6 7 8

**EXTERIOR(3)(AVH-P5700DVD/UC) SECTION PARTS LIST**

<u>Mark No.</u>	<u>Description</u>	<u>Part No.</u>	
1	Screw	BPZ20P060FTC	
2	.....		A
3	FFC	CDE7195	
4	Touch Panel	CSX1087	
5	Screw(M2x2)	CBA1872	
6	FFC	CDE7814	
7	Holder	CND2610	
8	Gasket	CNM8600	
9	Sheet	CNM8265	
10	Sheet	CNM7784	
11	Insulator	CNM9391	B
12	Monitor Unit	CWM9821	
13	Connector(CN4541)	CKS3968	
14	Connector(CN4301)	CKS4054	
15	Connector(CN4591)	CKS4054	
16	Connector(CN5342)	CKS4428	
17	Connector(CN4521)	CKS4595	
18	Connector(CN5001)	CKS4595	
19	Connector(CN4501)	CKS4675	
20	Connector(CN4007)	CKS4872	C
21	Shield	CND2737	
22	Insulator	CNM9251	
23	LCD Module	CWX3151	
24	Grille Unit	CXC4201	
25	.....		
26	.....		
27	Cord Assy	CDE7321	
28	Cord Assy	CDE7790	
29	Cord Assy	CDE7815	
30	Cap	CNV6727	D
31	.....		
32	Resistor	RSV2PMF102J	
33	Cap	CNS1472	
34	Resistor	RS1/2PMF102J	
⚠ 35	Fuse(10A)	CEK1136	
36	.....		
37	.....		
38	Sheet	CNM9742	E
39	Spacer	CNM9840	
40	Sheet	CNM9744	

# 2.8 DVD MECHANISM MODULE(MS-3V1)

A  
B  
C  
D  
E  
F



- (A) : GEM1045
- (B) : GEM1043
- (C) : GEM1024
- (D) : GEM1050

## DVD MECHANISM MODULE (MS-3V1) SECTION PARTS LIST

Mark No.	Description	Part No.	Mark No.	Description	Part No.
1	DVD Core Unit	CWX3170	* 57	Arm	CNV7163
2	.....		58	Arm	CNV7164
3	Connector(CN1201)	CKS4067	59	Roller	CNV7165
4	Connector(CN1551)	CKS4817	60	Arm	CNV7166
5	Connector(CN1231)	CKS4624			
			61	Guide	CNV8093
6	Connector(CN1903)	CKS4374	62	Gear	CNV7169
7	Connector(CN1101)	CKS4625	63	Gear	CNV7170
8	Connector(CN1901)	CKS3971	64	Gear	CNV7171
9	Screw	BMZ20P020FTC	65	Gear(Black)	CNV7172
10	Screw(M2 x 3.5)	CBA1571			
			66	Gear	CNV7173
11	Screw(M2 x 2.5)	CBA1623	67	Gear	CNV7174
12	Washer	CBF1038	68	Rack	CNV7175
13	Washer	CBF1064	69	Gear	CNV7176
14	Spring	CBH2586	70	Arm	CNV8077
15	Spring	CBH2587			
			71	Lever	CNV7178
16	Spring	CBH2588	72	Lever	CNV7179
17	Spring	CBH2589	73	Screw	IMS20P030FTC
18	Spring	CBH2590	74	Gear	CNV7181
19	Spring	CBH2591	75	Holder	CNV7183
20	Spring	CBH2592			
			76	Holder	CNV7184
21	Spring	CBH2593	77	Guide	CNV7745
22	Spring	CBH2594	78	Roller	CNV7344
23	Spring	CBH2595	79	Damper	CNV7470
24	Spring	CBH2596	80	Damper	CNV7471
25	Spring	CBH2597			
			81	Collar	CNV7645
26	Spring	CBH2598	82	Compound Unit(A)	CWX3154
27	Spring	CBH2599	83	Screw(M2x2)	CBA1817
28	Spring	CBH2600	84	Compound Unit(B)	CWX3156
29	Spring	CBH2601	85	Washer	YE20FTC
30	Spring	CBH2602			
			86	Chassis Unit	CXC3629
31	Spring	CBH2603	87	Arm Unit	CXB8681
32	Spring	CBH2604	88	Frame Unit	CXB8683
33	Spring	CBH2605	89	Arm Unit	CXC4701
34	Spring	CBH2711	90	Bracket Unit	CXB8685
35	Spring	CBL1564			
			91	Motor Unit(LOADING)(M1)	CXC4659
36	Pickup Unit(Service)	CXX1770	92	Motor Unit(CARRIAGE)(M2)	CXC4314
37	Shaft	CLA3881	93	Screw Unit	CXB8689
38	Shaft	CLA4206	94	Roller Unit	CXB8690
39	Shaft	CLA4207	95	Motor(SPINDLE)(M3)	CXM1272
40	Lever	CNC9933			
			96	Screw	JFZ20P018FTC
41	Holder	CNC9939	97	Photo-transistor(Q1299)	CPT231SCTD
42	Holder	CND2251	98	Switch(S1201,S1202,S1203)	CSN1069
43	Holder	CNC9941	99	Spring Switch(S1204,S1205)	CSN1070
44	Frame	CND2250	100	Resistor(R1298,R1299)	RS1/16S0R0J
45	Sheet	CNM6883			
			101	Gathering PCB	CNX4320
46	Sheet	CNM8283	102	Holder	CNV8186
47	Sheet	CNM8643	103	Arm	CNV7742
48	Lever	CNV8076	104	Arm	CNV7743
49	Lever	CNV7155	105	Spring	CBH2710
50	Cam	CNV7156			
			106	Spring	CBL1643
51	Rack	CNV7157	107	Spring	CBH2712
52	Clamper	CNV7158	108	Pickup Unit(Service)(Screw)	GXX1242
53	Arm	CNV7159	109	Screw Assy	CXX1750
54	Arm	CNV7160	110	Screw(M1.4xM1.4)	CBA1787
55	Arm	CNV7161			
			111	Cover	CNC9943
56	Arm	CNV7162	112	Screw	JFZ20P018FTC

# 5. ELECTRICAL PARTS LIST

NOTE:

- Parts whose parts numbers are omitted are subject to being not supplied.
- The part numbers shown below indicate chip components.

Chip Resistor

RS1/○S○○○○J,RS1/○○S○○○○J

Chip Capacitor (except for CQS.....)

CKS....., CCS....., CSZS.....

- The  $\triangle$  mark found on some component parts indicates the importance of the safety factor of the part. Therefore, when replacing, be sure to use parts of identical designation.
- Meaning of the figures and others in the parentheses in the parts list.

Example) IC 301 is on the point (face A, 91 of x-axis, and 111 of y-axis) of the corresponding PC board.

IC 301 (A, 91, 111) IC NJM2068V

<u>Circuit Symbol and No.</u>	<u>Part No.</u>	<u>Circuit Symbol and No.</u>	<u>Part No.</u>
-------------------------------	-----------------	-------------------------------	-----------------

## AVH-P5700DVD/EW

Mother Unit : CWM9808  
 RGB Unit : CWM9815  
 Monitor Unit : CWM9820  
 Monitor PCB : NSP  
 Inverter PCB : NSP  
 Upper PCB : NSP  
 Keyboard Unit : NSP  
 DVD Core Unit : CWX3170  
 Compound Unit(A) : CWX3154  
 Compound Unit(B) : CWX3156  
 Main Unit : CZW3087  
 SW Unit : CZW3088  
 Volume Unit : CZW3089

## AVH-P5700DVD/UC

Mother Unit : CWM9809  
 RGB Unit : CWM9816  
 Monitor Unit : CWM9821  
 Monitor PCB : NSP  
 Inverter PCB : NSP  
 Upper PCB : NSP  
 Keyboard Unit : NSP  
 DVD Core Unit : CWX3170  
 Compound Unit(A) : CWX3154  
 Compound Unit(B) : CWX3156  
 Main Unit : CZW3087  
 SW Unit : CZW3088  
 Volume Unit : CZW3089



Unit Number:CWM9809(UC)  
 Unit Number:CWM9808(EW)  
 Unit Name:Mother Unit

## MISCELLANEOUS

IC 121	(B,115,96) IC	HA12240FP
IC 151	(B,42,94) IC	TC4S81F
IC 181	(A,46,81) IC	TC74VHC08FTS1
IC 182	(A,50,82) IC	TC7SET08FUS1
IC 201	(B,145,63) IC	PML009A
IC 241	(A,155,128) IC	PAL007B
IC 301	(B,127,91) IC	NJM4558V
IC 302	(B,138,84) IC	NJM4558V
IC 303	(B,136,97) IC	NJM4580V
IC 421	(B,126,51) IC	NJM4558MD
IC 441	(A,147,46) IC	TA2050F
IC 451	(A,132,46) IC	TA2050F
IC 461	(B,59,86) IC	NJM2138V
IC 501	(B,145,14) IC	CXA2089Q
IC 521	(A,162,17) IC	NJM2136V
IC 522	(A,160,29) IC	BA7623F
IC 541	(B,36,72) IC	SM5304AV
IC 551	(B,127,17) IC	NJM2136V
IC 561	(B,124,31) IC	NJM2136V
IC 571	(B,135,31) IC	NJM2136V
IC 581	(B,146,31) IC	NJM2136V
IC 601	(B,87,81) IC (UC)	PE5485A
	(B,87,81) IC (EW)	PE5484A
IC 681	(B,94,43) IC	S-80841CNUA-B82
IC 801	(A,41,40) IC	AN8011S
IC 831	(B,19,92) IC	BA00BC0WFP
IC 841	(B,112,24) IC	S-812C50AUA-C3E
IC 851	(A,70,21) IC	S-818A35AUC-BGP
IC 856	(A,57,64) IC	S-814A33AMC-BCX
IC 871	(A,168,100) IC	NJM2388F84
IC 881	(B,25,146) IC	NJM2391DL1-33
Q 101	(B,97,29) Transistor	UMF23N
Q 121	(B,123,107) Transistor	UMF23N
Q 131	(A,83,109) Transistor	2SC4081
Q 151	(B,49,102) Transistor	2SC4081
Q 181	(B,47,76) Transistor	IMD2A
Q 182	(B,47,73) Transistor	IMX9
Q 241	(B,146,88) Transistor	DTC124EU
Q 242	(B,146,93) Transistor	DTC144EU

<u>Circuit Symbol and No.</u>		<u>Part No.</u>	<u>Circuit Symbol and No.</u>		<u>Part No.</u>
Q 243	(B,150,84) Transistor	IMD2A	D 107	(B,94,26) Diode	UDZS5R6(B)
Q 244	(A,147,84) Transistor	2SC4081	D 151	(B,46,93) Diode Network	DA204U
Q 245	(B,152,77) Transistor	IMD2A	D 152	(B,42,97) Diode Network	DA204U
Q 261	(A,116,106) Transistor	IMX9	D 241	(B,144,85) Diode	DAN202U
Q 262	(A,109,106) Transistor	IMX9	D 242	(B,156,79) Diode	RSX201L-30
Q 281	(A,102,106) Transistor (UC)	IMX9	D 243	(B,144,82) Diode	DAN202U
Q 301	(B,133,83) Transistor	IMD2A	D 244	(A,146,89) Diode	1SS355
Q 302	(B,132,86) Transistor	DTC323TU	D 245	(A,159,71) Diode	UDZS8R2(B)
Q 303	(B,126,81) Transistor	DTC124EU	D 246	(B,149,81) Diode	DAN202U
Q 401	(B,73,110) Transistor (EW)	IMH2A	D 421	(B,123,57) Diode	UDZS3R9(B)
Q 402	(B,72,106) Transistor (EW)	IMH2A	D 681	(B,100,44) Diode	1SS355
Q 461	(A,59,82) Transistor	2SC4081	D 691	(B,109,53) Diode	1SS355
Q 511	(A,135,5) Transistor	2SC4081	D 692	(B,113,53) Diode	1SS355
Q 512	(A,125,8) Transistor	2SA1577	D 701	(B,130,152) Diode	S1G-6904G2P
Q 521	(B,161,19) Transistor	2SC4081	D 702	(B,124,152) Diode	S1G-6904G2P
Q 551	(A,125,14) Transistor	2SC4081	D 703	(A,139,102) Diode	DAN202U
Q 561	(A,124,28) Transistor	2SC4081	D 704	(B,132,108) Diode	UDZS6R8(B)
Q 571	(A,134,28) Transistor	2SC4081	D 705	(A,136,108) Diode	HZU7L(A1)
Q 581	(A,145,28) Transistor	2SC4081	D 706	(B,126,111) Diode	HZU7L(C3)
Q 601	(B,104,83) Transistor	DTC124EU	D 707	(B,139,105) Diode	DAN202U
Q 691	(A,107,55) Transistor	DTA114EU	D 708	(A,103,138) Diode	5KP24A
Q 692	(A,112,52) Transistor	DTC144EU	D 771	(B,70,141) Diode	HZU9R1(B2)
Q 693	(A,112,55) Transistor	DTC114EU	D 772	(B,65,142) Diode	HZU6R8(B3)
Q 694	(B,109,49) Transistor	2SC4081	D 773	(B,62,145) Diode	HZU8R2(B2)
Q 695	(B,112,49) Transistor	2SC4081	D 781	(B,73,42) Diode	HZU7R5(B2)
Q 696	(B,106,50) Transistor	2SC4081	D 782	(B,69,37) Diode	HZU6R8(B3)
Q 701	(B,12,19) Transistor	2SA1615-Z	D 801	(A,37,32) Diode	RSX201L-30
Q 702	(B,9,29) Transistor	DTC114EU	D 802	(A,52,34) Diode	RSX201L-30
Q 703	(A,142,104) Transistor	2SA1576	D 803	(A,33,46) Diode	MA111
Q 704	(A,138,105) Transistor	2SC4081	D 804	(A,47,45) Diode	MA111
Q 705	(A,133,102) Transistor	IMX1	D 805	(A,111,132) Diode	RSX201L-30
Q 706	(A,142,109) Transistor	2SA1576	D 806	(A,107,129) Diode	RSX201L-30
Q 751	(B,50,11) Transistor	2SA1577	D 831	(B,26,60) Diode	S2G-6600
Q 752	(B,50,9) Transistor	DTC144EU	D 841	(A,139,56) Diode	1SR154-400
Q 753	(B,58,11) Transistor (EW)	2SA1577	D 842	(A,157,52) Diode	UDZS18(B)
Q 754	(B,58,9) Transistor (EW)	DTC144EU	D 851	(A,66,26) Diode	SC802-06
Q 755	(B,44,11) Transistor	2SA1577	D 881	(B,40,143) Diode	1SR154-400
Q 756	(B,44,9) Transistor	DTC144EU	D 882	(B,45,141) Diode	1SR154-400
Q 771	(B,72,146) Transistor	2SD1760F5	D 883	(B,48,146) Diode	1SR154-400
Q 772	(B,67,139) Transistor	DTC144EU	D 891	(B,165,73) Diode	UDZS5R6(B)
Q 773	(B,61,148) Transistor	UMF5N	D 892	(B,152,104) Diode	HZU9R1(B3)
Q 774	(B,62,141) Transistor	DTC144EU	ZNR401	(B,9,99) Surge Protector	RCCA-201Q31UA-PI
Q 781	(B,67,45) Transistor	2SD1760F5	L 101	(A,99,19) Inductor	CTF1399
Q 782	(B,73,46) Transistor	UMF5N	L 121	(B,117,91) Inductor	LCTC2R2K1608
Q 783	(B,72,37) Transistor	DTC114EU	L 151	(A,65,96) Inductor	CTF1473
Q 801	(A,27,44) Transistor	2SJ529S	L 171	(A,14,63) Inductor	CTF1383
Q 802	(A,53,41) Transistor	2SJ529S	L 172	(A,6,55) Inductor	CTF1473
Q 803	(A,33,43) Transistor	2SC4097	L 181	(A,35,79) Inductor	CTF1473
Q 804	(A,48,48) Transistor	2SC4097	L 182	(A,35,81) Inductor	CTF1473
Q 805	(B,44,37) Transistor	DTC124EU	L 183	(B,31,88) Inductor	CTF1399
Q 806	(B,51,39) Transistor	DTC114EU	L 184	(A,43,86) Inductor	CTF1305
Q 841	(B,108,34) Transistor	2SB1184F5	L 185	(A,50,77) Inductor	CTF1305
Q 842	(A,156,56) Transistor	2SD1767	L 187	(A,40,86) Inductor	CTF1473
Q 861	(A,72,14) Transistor	UMF5N	L 201	(A,135,69) Inductor	LCTAW2R2J2520
Q 864	(A,66,98) Transistor	UMF5N	L 301	(A,130,90) Inductor	CTF1399
Q 867	(A,99,25) Transistor	UMF5N	L 302	(B,135,79) Inductor	CTF1399
Q 891	(B,163,80) Transistor	2SD1767	L 303	(A,133,92) Inductor	CTF1399
Q 892	(A,167,115) Transistor	2SD2396	L 401	(B,63,128) Chip Coil	LCTAW1R0J2520
Q 893	(B,155,107) Transistor	IMD2A	L 402	(A,37,104) Chip Coil	LCTAW1R0J2520
D 101	(A,98,22) Diode	UDZS5R6(B)	L 403	(B,9,102) Chip Coil	LCTAW4R7J2520

**Circuit Symbol and No.****Part No.****Circuit Symbol and No.****Part No.**

L 404	(A,68,103) Inductor	CTF1473	R 108	(B,98,26)	RS1/16S332J
			R 109	(B,100,28)	RS1/16S332J
L 405	(B,59,109) Inductor	CTF1473	R 121	(B,114,93)	RS1/16S102J
A L 421	(B,130,58) Inductor	CTF1399			
L 441	(A,153,51) Inductor	CTF1399	R 122	(B,120,96)	RS1/16S101J
L 451	(A,139,51) Inductor	CTF1399	R 123	(B,123,98)	RS1/16S150J
L 461	(A,63,91) Inductor	CTF1399	R 124	(B,125,98)	RS1/16S470J
			R 125	(B,125,99)	RS1/16S101J
L 501	(B,160,12) Chip Coil	LCTAW100J2520	R 126	(B,122,110)	RS1/16S222J
L 511	(A,133,11) Inductor	CTF1399			
L 521	(A,167,21) Inductor	CTF1399	R 127	(B,126,107)	RS1/16S332J
L 522	(A,167,29) Inductor	LCTAW150J2520	R 128	(B,124,104)	RS1/16S562J
L 523	(B,118,115) Inductor	CTF1383	R 131	(A,86,111)	RS1/16S473J
			R 132	(A,83,112)	RS1/16S473J
L 541	(B,43,68) Inductor	CTF1399	R 133	(A,86,108)	RS1/16S473J
L 551	(B,125,11) Inductor	CTF1399			
B L 561	(B,123,24) Inductor	CTF1399	R 151	(B,52,98)	RS1/16S750J
L 571	(B,135,23) Inductor	CTF1399	R 152	(B,65,98)	RS1/16S750J
L 581	(B,145,25) Inductor	CTF1399	R 153	(B,60,98)	RS1/16S750J
			R 154	(B,56,98)	RS1/16S750J
L 601	(B,82,95) Inductor	CTF1306	R 155	(B,44,102)	RS1/16S681J
L 602	(B,84,95) Inductor	CTF1306			
L 603	(B,94,62) Inductor	LCTAW2R2J2520	R 156	(B,48,96)	RS1/16S473J
L 604	(B,77,97) Inductor	CTF1473	R 157	(B,46,102)	RS1/16S473J
L 701	(A,24,58) Coil	CTH1267	R 158	(B,45,97)	RS1/16S681J
			R 159	(B,48,92)	RS1/16S473J
L 702	(A,22,8) Inductor	CTH1262	R 160	(B,43,99)	RS1/16S473J
L 703	(B,143,101) Inductor	LCTC2R2K1608			
L 704	(B,132,110) Inductor	CTF1295	R 171	(B,5,52)	RS1/16S0R0J
C L 705	(B,138,108) Inductor	LCTC2R2K1608	R 172	(A,5,58)	RS1/16S0R0J
L 801	(A,29,33) Coil	CTH1303	R 174	(A,15,56)	RS1/16S102J
			R 175	(B,13,55)	RS1/16S0R0J
L 802	(A,52,28) Coil	CTH1303	R 176	(B,11,54)	RS1/16S0R0J
L 803	(A,49,61) Inductor	CTH1253			
L 804	(A,38,49) Inductor	LCTAW100J2520	R 177	(B,9,59)	RS1/16S0R0J
L 851	(A,75,22) Inductor	CTF1383	R 178	(A,5,53)	RS1/16S0R0J
L 856	(A,59,66) Inductor	CTF1383	R 179	(A,5,63)	RS1/16S0R0J
			R 181	(A,40,82)	RAB4C102J
X 601	(B,103,91)Radiator 18.874368MHz	CSS1622	R 182	(A,36,85)	RAB4C102J
VR511	(A,130,13)Semi-fixed 1.5kΩ(B)	CCP1391			
VR801	(A,45,31)Semi-fixed 10kΩ(B)	CCP1396	R 184	(A,46,74)	RS1/16S103J
△ FU131	(B,94,115) Fuse 3A	CEK1286	R 185	(A,48,74)	RS1/16S103J
D △ FU151	(B,41,102) Fuse 3A	CEK1286	R 187	(B,43,71)	RS1/16S0R0J
			R 188	(B,51,72)	RS1/16S0R0J
△ FU152	(A,95,132) Fuse 3A	CEK1286	R 201	(B,137,53)	RS1/16S181J
△ FU175	(A,15,71) Fuse 1.75A	CEK1283			
△ FU176	(B,62,68) Fuse 1A	CEK1280	R 202	(B,148,52)	RS1/16S181J
△ FU261	(B,104,127) Fuse 3A	CEK1286	R 203	(B,135,55)	RS1/16S223J
△ FU701	(A,16,53) Fuse 1.25A	CEK1281	R 204	(B,151,52)	RS1/16S223J
			R 205	(B,135,56)	RS1/16S102J
△ FU702	(A,17,16) Fuse 1.75A	CEK1283	R 206	(B,155,51)	RS1/16S102J
△ FU703	(B,126,149) Fuse 3A	CEK1286			
△ FU771	(B,64,147) Fuse 1A	CEK1280	R 207	(B,140,51)	RS1/16S0R0J
△ FU781	(A,76,36) Fuse 1A	CEK1280	R 208	(B,147,49)	RS1/16S0R0J
E △ FU801	(A,27,27) Fuse 2.5A	CEK1285	R 209	(B,136,60)	RS1/16S0R0J
			R 210	(A,148,57)	RS1/16S0R0J
△ FU802	(A,54,22) Fuse 2.5A	CEK1285	R 211	(B,130,71)	RS1/16S0R0J
△ FU803	(A,57,59) Fuse 2.5A	CEK1285			
△ FU861	(A,101,31) Fuse 1A	CEK1280	R 212	(B,149,72)	RS1/16S0R0J
BZ601	(A,83,10) Buzzer	CPV1063	R 213	(B,134,67)	RS1/16S0R0J
			R 214	(B,154,71)	RS1/16S0R0J
			R 215	(B,135,68)	RS1/16S0R0J
			R 216	(B,156,69)	RS1/16S0R0J
			R 217	(B,145,110)	RS1/16S471J
			R 218	(B,150,113)	RS1/16S471J
			R 241	(B,150,93)	RS1/16S103J
F R 105	(B,89,42)	RS1/16S102J	R 242	(B,146,90)	RS1/16S103J
			R 243	(B,151,90)	RS1/16S221J
R 106	(B,91,42)	RS1/16S102J			
R 107	(B,95,35)	RS1/16S222J	R 244	(B,141,108)	RS1/16S103J
			R 245	(B,146,101)	RS1/16S473J

**RESISTORS**

<u>Circuit Symbol and No.</u>		<u>Part No.</u>	<u>Circuit Symbol and No.</u>		<u>Part No.</u>
R 246	(B,149,90)	RS1/16S101J	R 407	(B,32,109)	RS1/16S681J
R 247	(B,153,83)	RS1/16S222J	R 408	(A,73,101) (EW)	RAB4C223J
R 248	(A,148,87)	RS1/16S103J	R 410	(A,30,6)	RS1/16S0R0J
R 249	(A,144,81)	RS1/16S104J	R 421	(B,116,58)	RS1/16S103J
R 250	(A,143,84)	RS1/16S473J	R 422	(B,117,58)	RS1/16S103J
R 251	(A,146,87)	RS1/16S101J	R 423	(B,120,56)	RS1/16S103J
R 252	(B,155,74)	RS1/16S222J	R 424	(B,120,57)	RS1/16S103J
R 261	(B,107,112)	RS1/16S821J	R 427	(B,121,51)	RS1/16S103J
R 262	(B,103,112)	RS1/16S821J	R 428	(B,131,51)	RS1/16S103J
R 263	(B,115,112)	RS1/16S821J	R 429	(B,120,49)	RS1/16S103J
R 264	(B,111,109)	RS1/16S821J	R 430	(B,133,49)	RS1/16S103J
R 265	(A,108,103)	RS1/16S103J	R 431	(B,128,59)	RS1/16S681J
R 266	(A,111,103)	RS1/16S103J	R 441	(B,151,39)	RS1/16S102J
R 267	(A,114,103)	RS1/16S103J	R 442	(B,141,42)	RS1/16S102J
R 268	(A,118,103)	RS1/16S103J	R 443	(B,148,41)	RS1/16S181J
R 269	(B,106,114)	RS1/16S223J	R 444	(B,146,41)	RS1/16S181J
R 270	(B,103,114)	RS1/16S223J	R 445	(B,150,41)	RS1/16S223J
R 271	(B,115,114)	RS1/16S223J	R 446	(B,143,41)	RS1/16S223J
R 272	(B,111,114)	RS1/16S223J	R 447	(A,141,24)	RS1/16S562J
R 281	(B,100,114) (UC)	RS1/16S821J	R 448	(A,141,23)	RS1/16S562J
R 282	(B,97,114) (UC)	RS1/16S821J	R 451	(B,137,41)	RS1/16S123J
R 283	(A,101,103) (UC)	RS1/16S103J	R 452	(B,127,40)	RS1/16S123J
R 284	(A,104,103) (UC)	RS1/16S103J	R 453	(B,133,41)	RS1/16S123J
R 285	(B,100,115) (UC)	RS1/16S223J	R 454	(B,131,41)	RS1/16S123J
R 286	(B,97,115) (UC)	RS1/16S223J	R 455	(B,134,41)	RS1/16S223J
R 287	(B,102,105) (EW)	RS1/16S0R0J	R 456	(B,130,41)	RS1/16S223J
R 288	(B,97,105) (EW)	RS1/16S0R0J	R 457	(B,136,41)	RS1/16S223J
R 289	(A,92,131) (EW)	RS1/16S0R0J	R 458	(B,127,42)	RS1/16S223J
R 293	(B,104,130) (UC)	RS1/16S0R0J	R 459	(B,120,44)	RS1/16S562J
R 301	(B,121,90)	RS1/16S101J	R 460	(B,120,42)	RS1/16S562J
R 302	(B,124,90)	RS1/16S473J	R 461	(B,51,91)	RS1/16S472J
R 303	(B,124,93)	RS1/16S473J	R 462	(B,54,84)	RS1/16S472J
R 304	(B,131,94)	RS1/16S472J	R 463	(B,53,91)	RS1/16S472J
R 305	(B,127,95)	RS1/16S472J	R 464	(B,57,81)	RS1/16S472J
R 306	(B,136,89)	RS1/16S473J	R 465	(B,55,91)	RS1/16S472J
R 307	(B,137,89)	RS1/16S103J	R 466	(B,54,88)	RS1/16S472J
R 308	(B,134,89)	RS1/16S103J	R 467	(B,57,91)	RS1/16S472J
R 309	(B,131,89)	RS1/16S821J	R 468	(B,59,81)	RS1/16S472J
R 310	(B,130,88)	RS1/16S473J	R 469	(B,66,91)	RS1/16S472J
R 311	(A,136,97)	RS1/16S103J	R 470	(B,64,84)	RS1/16S472J
R 312	(A,134,97)	RS1/16S103J	R 471	(B,64,91)	RS1/16S472J
R 313	(B,145,96)	RS1/16S103J	R 472	(B,62,81)	RS1/16S472J
R 314	(B,142,96)	RS1/16S103J	R 473	(B,62,91)	RS1/16S472J
R 315	(B,141,83)	RS1/16S103J	R 474	(B,64,88)	RS1/16S472J
R 316	(B,133,94)	RS1/16S103J	R 475	(B,60,91)	RS1/16S472J
R 317	(A,138,97)	RS1/16S103J	R 476	(B,60,81)	RS1/16S472J
R 318	(A,132,100)	RS1/16S103J	R 477	(A,54,77)	RS1/16S101J
R 319	(B,143,110)	RS1/16S471J	R 478	(A,56,77)	RS1/16S101J
R 320	(B,146,110)	RS1/16S471J	R 479	(A,59,77)	RS1/16S101J
R 321	(B,139,90)	RS1/16S104J	R 480	(A,57,77)	RS1/16S101J
R 322	(B,124,87)	RS1/16S473J	R 481	(A,54,79)	RS1/16S102J
R 323	(B,127,85)	RS1/16S473J	R 482	(A,58,84)	RS1/16S272J
R 324	(A,130,81)	RS1/16S473J	R 483	(A,54,82)	RS1/16S472J
R 325	(B,125,84)	RS1/16S102J	R 491	(B,70,127)	RS1/16S0R0J
R 401	(B,54,106)	RS1/16S681J	R 501	(B,155,8)	RS1/16S0R0J
R 402	(B,40,109) (EW)	RS1/16S681J	R 502	(B,149,28)	RS1/16S272J
R 403	(B,38,109)	RS1/16S681J	R 503	(B,127,28)	RS1/16S272J
R 404	(B,37,109)	RS1/16S681J	R 504	(B,130,13)	RS1/16S272J
R 405	(B,35,109)	RS1/16S681J	R 511	(A,136,8)	RS1/16S222J
R 406	(B,34,109)	RS1/16S681J	R 512	(A,137,10)	RS1/16S222J

**Circuit Symbol and No.****Part No.****Circuit Symbol and No.****Part No.**

R 513	(A,132,8)	RS1/16S681J	R 588	(A,145,31)	RS1/16S272J
R 514	(A,132,6)	RS1/16S681J	R 589	(A,141,31)	RS1/16S472J
R 515	(A,130,9)	RS1/16S331J	R 590	(B,148,24)	RS1/16S0R0J
A					
R 516	(A,128,9)	RS1/16S272J	R 601	(B,72,70)	RS1/16S102J
R 517	(A,129,6)	RS1/16S0R0J	R 602	(B,72,68)	RS1/16S102J
R 518	(A,17,64)	RS1/16S0R0J	R 603	(B,72,66)	RS1/16S102J
R 521	(A,160,12)	RS1/16S472J	R 604	(A,109,65)	RAB4C102J
R 522	(A,158,14)	RS1/16S472J	R 605	(B,112,68)	RS1/16S473J
R 523	(B,162,21)	RS1/16S272J	R 606	(B,69,75)	RAB4C102J
R 524	(B,164,19)	RS1/16S392J	R 607	(B,71,79)	RAB4C102J
R 526	(A,162,20)	RS1/16S101J	R 608	(B,68,80)	RS1/16S102J
R 527	(B,159,16)	RS1/16S472J	R 609	(B,71,84) (EW)	RAB4C101J
R 528	(B,158,19)	RS1/16S102J	R 610	(B,98,57)	RS1/16S473J
B					
R 529	(B,164,14)	RS1/16S472J	R 612	(B,98,46)	RS1/16S102J
R 530	(B,166,15)	RS1/16S101J	R 613	(B,92,18)	RS1/16S473J
R 531	(A,164,29)	RS1/16S473J	R 614	(B,93,16)	RS1/16S0R0J
R 532	(A,164,32)	RS1/16S333J	R 615	(A,73,98) (EW)	RS1/16S681J
R 533	(B,162,27)	RS1/16S560J	R 616	(A,77,100)	RS1/16S221J
R 534	(B,162,29)	RS1/16S150J	R 617	(B,88,112)	RS1/16S102J
R 543	(B,33,72)	RS1/16S332J	R 618	(B,88,115)	RS1/16S473J
R 546	(B,38,66)	RS1/16S101J	R 619	(B,90,112)	RS1/16S102J
R 547	(B,33,66)	RS1/16S102J	R 620	(B,90,115)	RS1/16S473J
R 548	(B,139,5)	RS1/16S0R0J	R 621	(B,96,99)	RS1/16S473J
C					
R 551	(A,127,24)	RS1/16S750J	R 622	(B,96,97)	RS1/16S102J
R 552	(A,126,21)	RS1/16S472J	R 623	(B,96,17)	RAB4C102J
R 553	(A,128,21)	RS1/16S472J	R 624	(B,97,14)	RS1/16S473J
R 554	(B,130,11)	RS1/16S101J	R 625	(B,92,15)	RS1/16S473J
R 555	(A,128,17)	RS1/16S472J	R 626	(B,98,96) (EW)	RS1/16S473J
R 556	(B,124,17)	RS1/16S472J	R 627	(B,103,54)	RS1/16S102J
R 557	(A,122,13)	RS1/16S102J	R 628	(A,110,59)	RS1/16S102J
R 558	(A,125,18)	RS1/16S272J	R 629	(B,111,71)	RS1/16S104J
R 559	(A,123,19)	RS1/16S472J	R 630	(B,103,87)	RS1/16S151J
R 560	(B,133,9)	RS1/16S0R0J	R 631	(B,109,69)	RS1/16S104J
R 561	(A,124,38)	RS1/16S750J	R 632	(B,158,39)	RS1/16S472J
R 562	(A,124,35)	RS1/16S472J	R 633	(B,158,38)	RS1/16S472J
D					
R 563	(A,125,35)	RS1/16S472J	R 634	(B,108,64)	RAB4C102J
R 564	(B,128,24)	RS1/16S101J	R 635	(B,103,80)	RS1/16S473J
R 565	(A,126,31)	RS1/16S472J	R 636	(B,108,84)	RS1/16S472J
R 566	(B,121,31)	RS1/16S472J	R 637	(B,109,71)	RS1/16S104J
R 567	(A,119,27)	RS1/16S102J	R 639	(B,108,72)	RS1/16S681J
R 568	(B,135,16)	RS1/16S0R0J	R 641	(B,105,72)	RS1/16S681J
R 569	(A,123,31)	RS1/16S272J	R 642	(B,101,73)	RS1/16S102J
R 570	(A,119,30)	RS1/16S472J	R 643	(B,101,70)	RS1/16S102J
R 571	(A,134,38)	RS1/16S750J	R 644	(B,104,64)	RS1/16S473J
R 572	(A,134,35)	RS1/16S472J	R 645	(B,101,64)	RAB4C681J
R 573	(A,135,35)	RS1/16S472J	R 646	(B,98,58)	RS1/16S104J
R 574	(B,137,25)	RS1/16S101J	R 647	(A,100,61)	RS1/16S681J
R 575	(A,137,31)	RS1/16S472J	R 648	(A,100,58)	RS1/16S681J
R 576	(B,132,31)	RS1/16S472J	R 649	(A,101,53)	RS1/16S473J
R 577	(A,130,28)	RS1/16S102J	R 651	(B,92,66)	RS1/16S473J
R 578	(A,134,31)	RS1/16S272J	R 652	(B,77,57)	RS1/16S681J
R 579	(A,130,31)	RS1/16S472J	R 653	(B,75,59)	RS1/16S101J
R 580	(B,141,24)	RS1/16S0R0J	R 654	(B,76,63)	RS1/16S473J
R 581	(A,145,38)	RS1/16S750J	R 661	(A,96,55)	RS1/16S473J
R 582	(A,144,35)	RS1/16S472J	R 663	(A,94,55)	RS1/16S473J
R 583	(A,145,35)	RS1/16S472J	R 671	(A,84,53)	RS1/16S103J
R 584	(B,148,25)	RS1/16S101J	R 672	(A,88,55)	RS1/16S473J
R 585	(A,146,31)	RS1/16S472J	R 673	(A,92,55)	RS1/16S473J
F					
R 586	(B,143,31)	RS1/16S472J	R 681	(B,98,43)	RS1/16S104J
R 587	(A,141,28)	RS1/16S102J	R 691	(A,110,55)	RS1/16S103J

<u>Circuit Symbol and No.</u>		<u>Part No.</u>	<u>Circuit Symbol and No.</u>		<u>Part No.</u>
R 692	(A,109,50)	RS1/16S223J	R 815	(B,38,38)	RS1/16S6801D
R 693	(A,106,51)	RS1/16S473J	R 816	(A,36,37)	RS1/16S1502D
R 694	(B,109,56)	RS1/16S472J	R 817	(A,46,35)	RS1/16S6801D
			R 818	(A,47,38)	RS1/16S6802D
R 695	(B,112,56)	RS1/16S472J			
R 696	(B,106,48)	RS1/16S473J	R 819	(B,34,39)	RS1/16S3901D
R 697	(B,105,54)	RS1/16S473J	R 820	(B,48,40)	RS1/16S7501D
R 702	(B,16,24)	RS1/16S153J	R 821	(B,38,40)	RS1/16S2203D
R 703	(B,13,24)	RS1/10S301J	R 822	(B,44,40)	RS1/16S4702D
			R 823	(B,38,43)	RS1/16S3302D
R 704	(B,9,24)	RS1/10S301J			
R 705	(A,144,101)	RS1/16S102J	R 824	(B,43,43)	RS1/16S3302D
R 706	(A,143,101)	RS1/16S473J	R 825	(A,103,130)	RS1/16S0R0J
R 707	(A,144,105)	RS1/16S473J	R 826	(A,100,130)	RS1/16S0R0J
R 708	(B,143,100)	RS1/16S103J	R 829	(B,54,39)	RS1/16S1200D
			R 830	(B,51,43)	RS1/16S102J
R 709	(A,142,107)	RS1/16S473J			
R 710	(B,134,103)	RS1/16S103J	R 831	(B,14,90)	RS1/16S6802D
R 711	(B,134,106)	RS1/16S103J	R 832	(B,14,93)	RS1/16S1202D
R 712	(B,129,109)	RS1/16S103J	R 833	(B,15,84)	RS1/16S1203D
R 713	(B,131,103)	RS1/16S103J	R 834	(B,14,87)	RS1/16S1502D
			R 835	(B,23,84)	RS1/16S102J
R 714	(A,134,105)	RS1/16S473J			
R 715	(A,132,107)	RS1/16S472J	R 841	(B,112,18)	RS1/16S471J
R 716	(B,128,105)	RS1/16S104J	R 842	(A,167,68)	RS1/16S2R2J
R 717	(B,124,111)	RS1/16S473J	R 843	(A,167,65)	RS1/16S2R2J
R 718	(A,143,112)	RS1/16S102J	R 844	(A,165,68)	RS1/16S2R2J
			R 845	(A,165,65)	RS1/16S2R2J
R 719	(A,140,109)	RS1/16S472J			
R 720	(A,138,108)	RS1/16S472J	R 846	(A,152,54)	RS1/16S222J
R 721	(B,138,109)	RS1/16S153J	R 856	(A,61,64)	RS1/16S473J
R 751	(B,48,9)	RS1/16S472J	R 861	(A,75,14)	RS1/16S103J
R 752	(B,48,11)	RS1/16S223J	R 862	(A,74,16)	RS1/16S332J
			R 864	(A,69,98)	RS1/16S103J
R 753	(B,55,9) (EW)	RS1/16S472J			
R 754	(B,56,11) (EW)	RS1/16S223J	R 865	(A,67,100)	RS1/16S332J
R 755	(B,41,9)	RS1/16S472J	R 867	(A,99,29)	RS1/16S103J
R 756	(B,41,11)	RS1/16S223J	R 868	(A,97,28)	RS1/16S332J
R 771	(B,71,150)	RS1/16S271J	R 871	(B,158,83)	RS1/16S102J
			R 872	(B,156,84)	RS1/16S473J
R 772	(B,69,150)	RS1/16S271J			
R 773	(B,66,150)	RS1/16S271J	R 891	(B,164,76)	RS1/16S391J
R 774	(B,58,147)	RS1/16S103J	R 892	(A,159,90)	RS1/16S0R0J
R 775	(B,58,150)	RS1/16S103J	R 893	(B,158,110)	RS1/16S101J
R 776	(B,73,90)	RS1/16S0R0J	R 894	(B,156,110)	RS1/16S101J
			R 895	(B,156,104)	RS1/16S101J
R 781	(A,76,39)	RS1/16S0R0J			
R 782	(B,69,55)	RS1/16S271J	<b>CAPACITORS</b>		
R 783	(B,69,54)	RS1/16S271J	C 121	(B,106,98)	CKSRYB102K50
R 784	(B,69,52)	RS1/16S271J	C 122	(B,108,98)	CKSRYB102K50
R 785	(B,72,52)	RS1/16S103J	C 123	(B,121,118)	CKSRYB104K50
			C 124	(B,109,98)	CKSRYB104K50
R 786	(B,73,50)	RS1/16S103J	C 153	(B,42,92)	CKSRYB104K50
R 788	(B,66,56)	RS1/16S0R0J			
R 801	(B,34,34)	RS1/16S3901D	C 171	(B,5,54)	CCSRCH101J50
R 802	(B,37,34)	RS1/16S4701D	C 181	(B,45,83)	CKSRYB104K50
R 803	(B,35,31)	RS1/16S2202D	C 182	(A,50,79)	CKSRYB104K50
			C 184	(B,28,99)	CKSRYB104K50
R 804	(B,35,34)	RS1/16S2202D	C 186	(B,28,79)	CCSRCH101J50
R 805	(B,47,33)	RS1/16S6801D			
R 806	(B,48,38)	RS1/16S8200D	C 187	(B,26,79)	CKSRYB104K50
R 807	(B,48,30)	RS1/16S3900D	C 188	(B,32,62)	CKSRYB104K50
R 808	(B,48,33)	RS1/16S3301D	C 201	(B,137,55)	CKSRYB105K6R3
			C 202	(B,151,53)	CKSRYB105K6R3
R 809	(A,32,49)	RS1/16S560J	C 203	(B,137,56)	CKSRYB105K6R3
R 810	(A,53,48)	RS1/16S560J			
R 811	(A,35,44)	RS1/16S272J	C 204	(B,154,54)	CKSRYB105K6R3
R 812	(A,46,47)	RS1/16S272J	C 205	(B,140,53)	CKSRYB224K16
R 813	(A,36,44)	RS1/16S221J	C 206	(B,147,54)	CKSRYB224K16
			C 207	(B,137,51)	CKSRYB105K6R3
R 814	(A,47,43)	RS1/16S221J			

**Circuit Symbol and No.****Part No.****Circuit Symbol and No.****Part No.**

	C 208	(B,150,49)	CKSRYB105K6R3	C 309	(B,133,89)	CKSRYB104K50
A	C 211	(B,143,51)	CKSRYB105K6R3	C 310	(B,139,91)	CKSRYB104K50
	C 212	(B,145,51)	CKSRYB105K6R3	C 313	(A,136,94)	CKSRYB104K50
	C 213	(A,139,59)	CKSYB475K16	C 402	(B,59,128)	CKSYB475K16
	C 214	(A,152,59)	CKSYB475K16	C 403	(B,59,130)	CKSRYB103K50
	C 217	(A,138,61)	CKSYB475K16	C 404	(A,68,110)	CEVLW470M6R3
	C 218	(A,152,61)	CKSYB475K16	C 405	(B,57,111)	CKSRYB103K50
	C 219	(A,137,63)	CKSYB475K16	C 406	(A,32,102)	CKSRYB103K50
	C 220	(A,152,63)	CKSYB475K16	C 407	(A,33,109)	CEVLW101M10
	C 221	(A,137,65)	CKSYB475K16	C 408	(B,84,116)	CKSRYB102K50
	C 222	(A,152,65)	CKSYB475K16	C 409	(B,19,140)	CKSRYB102K50
B	C 223	(B,137,66)	CCSRCH100D50	C 410	(B,75,137)	CKSRYB102K50
	C 224	(B,153,66)	CCSRCH100D50	C 411	(B,3,57)	CCSRCH101J50
	C 225	(B,139,70)	CCSRCH100D50	C 413	(A,68,104)	CKSRYB104K50
	C 226	(B,153,71)	CCSRCH100D50	C 417	(B,16,32)	CKSRYB104K50
	C 227	(B,139,72)	CCSRCH100D50	C 418	(B,28,7)	CKSRYB102K50
	C 228	(B,150,70)	CCSRCH100D50	C 419	(B,54,109)	CKSRYB104K50
	C 229	(A,152,69)	CEVLW100M16	C 421	(B,77,110)	CKSRYB474K10
	C 230	(B,143,71)	CKSRYB104K50	C 422	(B,79,110)	CKSRYB474K10
	C 231	(B,143,72)	CKSRYB104K50	C 423	(B,120,54)	CCSRCH470J50
	C 232	(A,136,71)	CKSRYB102K50	C 424	(B,120,59)	CCSRCH470J50
	C 233	(A,145,63)	CEVLW470M16	C 425	(B,126,58)	CKSYB475K16
	C 234	(A,138,68)	CKSRYB104K50	C 426	(B,124,58)	CKSRYB103K50
C	C 241	(B,143,113)	CKSRYB105K10	C 427	(B,119,51)	CCSRCH470J50
	C 242	(B,146,113)	CKSRYB105K10	C 428	(B,133,51)	CCSRCH470J50
	C 243	(B,143,115)	CKSRYB105K10	C 429	(B,120,48)	CKSRYB474K10
	C 244	(B,146,115)	CKSRYB105K10	C 430	(B,133,47)	CKSRYB474K10
	C 245	(B,145,113)	CKSRYB105K10	C 431	(B,126,48)	CKSRYB105K10
	C 246	(B,152,115)	CKSRYB105K10	C 441	(B,151,42)	CKSRYB105K6R3
	C 247	(B,145,115)	CKSRYB105K10	C 442	(B,143,43)	CKSRYB105K6R3
	C 248	(B,155,115)	CKSRYB105K10	C 443	(B,149,43)	CKSRYB105K6R3
	C 249	(A,153,85)	CEVLW330M25	C 444	(B,146,43)	CKSRYB105K6R3
	C 250	(B,124,114) 10μF	CCG1138	C 445	(A,139,25)	CKSRYB105K6R3
D	C 251	(A,119,127) 1000μF/16V	CCH1428	C 446	(A,138,23)	CKSRYB105K6R3
	C 252	(B,145,105) 10μF	CCG1182	C 447	(A,145,41)	CKSYB475K16
	C 253	(A,160,117)	CKSYB475K16	C 448	(A,155,46)	CEVLW100M16
	C 254	(A,157,117)	CKSYB475K16	C 449	(A,149,41)	CKSRYB104K50
	C 255	(B,157,115)	CKSRYB473K50	C 451	(B,136,43)	CKSRYB105K6R3
	C 256	(A,156,77)	CEVLW470M16	C 452	(B,127,43)	CKSRYB105K6R3
	C 257	(A,142,71)	CEVW101M16	C 453	(B,133,43)	CKSRYB105K6R3
	C 258	(A,143,86) 10μF	CCG1182	C 454	(B,130,43)	CKSRYB105K6R3
	C 261	(B,107,109) 10μF	CCG1182	C 455	(B,123,44)	CKSRYB105K6R3
	C 262	(B,104,109) 10μF	CCG1182	C 456	(B,123,42)	CKSRYB105K6R3
	C 263	(B,117,106) 10μF	CCG1182	C 457	(A,129,41)	CKSYB475K16
E	C 264	(B,113,106) 10μF	CCG1182	C 458	(A,139,46)	CEVLW100M16
	C 265	(B,106,115)	CCSRCH101J50	C 459	(A,134,41)	CKSRYB104K50
	C 266	(B,103,115)	CCSRCH101J50	C 461	(B,55,95)	CKSYB106K6R3
	C 267	(B,115,115)	CCSRCH101J50	C 462	(B,57,95)	CKSYB106K6R3
	C 268	(B,111,115)	CCSRCH101J50	C 463	(B,53,95)	CKSYB106K6R3
	C 269	(A,110,141)	CKSRYB102K50	C 464	(B,51,95)	CKSYB106K6R3
	C 281	(B,100,111) 10μF (UC)	CCG1182	C 465	(B,64,95)	CKSYB106K6R3
	C 282	(B,97,110) 10μF (UC)	CCG1182	C 466	(B,66,95)	CKSYB106K6R3
	C 283	(B,100,117) (UC)	CCSRCH101J50	C 467	(B,60,95)	CKSYB106K6R3
	C 284	(B,97,117) (UC)	CCSRCH101J50	C 468	(B,62,95)	CKSYB106K6R3
	C 301	(B,121,89)	CKSRYB105K6R3	C 469	(B,52,84)	CCSRCH6R0D50
	C 302	(B,121,92)	CKSRYB105K6R3	C 470	(B,52,88)	CCSRCH6R0D50
F	C 305	(A,150,76)	CEVLW100M16	C 471	(B,65,84)	CCSRCH6R0D50
	C 306	(B,133,81)	CKSRYB104K50	C 472	(B,65,88)	CCSRCH6R0D50
	C 307	(B,121,86) 10μF	CCG1171	C 473	(A,54,81)	CKSRYB104K50
	C 308	(A,131,94)	CKSRYB104K50	C 474	(A,54,84)	CKSRYB102K50

<u>Circuit Symbol and No.</u>		<u>Part No.</u>	<u>Circuit Symbol and No.</u>		<u>Part No.</u>
C 475	(A,58,85)	CKSRYP104K50	C 601	(B,76,95)	CKSRYP105K6R3
C 481	(B,65,64)	CKSRYP102K50	C 604	(B,106,94)	CCSRCH7R0D50
C 482	(B,61,64)	CKSRYP102K50	C 605	(B,106,89)	CCSRCH7R0D50
C 483	(B,154,59)	CKSRYP102K50	C 606	(B,91,64)	CKSRYP105K6R3
C 484	(B,70,131)	CCSRCH101J50	C 608	(B,75,61)	CCSRCH101J50
C 487	(B,48,128)	CKSRYP103K50	C 609	(B,74,67)	CKSRYP104K50
C 488	(B,42,65)	CKSRYP104K50	C 611	(B,95,56)	CKSRYP103K50
C 501	(A,151,5) 10µF	CCG1171	C 612	(B,77,100)	CKSRYP103K50
C 502	(A,150,10)	CEVLW100M16	C 671	(B,88,50)	CKSRYP105K6R3
C 503	(A,155,8)	CKSRYP104K50	C 681	(A,98,42)	CEVLW2R2M50
C 511	(A,135,10)	CKSRYP105K6R3	C 691	(A,105,51)	CKSRYP103K50
C 512	(A,142,8)	CEVLW101M10	C 692	(B,112,58)	CKSRYP103K50
C 521	(A,156,6) 47µF	CCG1181	C 701	(B,8,34)	CKSRYP104K50
C 522	(A,157,10) 47µF	CCG1181	C 704	(A,6,42) 2200µF/16V	CCH1405
C 523	(A,153,25)	CEVLW101M10	C 705	(B,132,149)	CKSRYP104K50
C 524	(A,162,22) 10µF	CCG1171	C 706	(B,143,103)	CKSRYP103K50
C 525	(B,162,17)	CKSRYP104K50	C 707	(B,139,103)	CKSRYP104K50
C 526	(B,165,17)	CKSRYP104K50	C 708	(B,133,103)	CKSRYP104K50
C 527	(B,164,13)	CCSRCH4R0D50	C 709	(A,132,109)	CKSRYP104K50
C 529	(A,153,33)	CEVLW101M10	C 710	(B,109,129)	CKSRYP103K50
C 530	(A,165,26) 10µF	CCG1171	C 711	(B,140,108)	CKSRYP104K50
C 531	(A,138,17)	CEVLW221M4	C 712	(B,124,118)	CKSRYP104K50
C 532	(A,145,17)	CEVLW221M4	C 751	(A,54,13)	CKSRYP104K50
C 533	(A,153,17)	CEVLW221M4	C 752	(A,58,13) (EW)	CKSRYP104K50
C 535	(B,155,5) 22µF	CCG1178	C 753	(A,49,14)	CKSRYP104K50
C 536	(B,156,15) 22µF	CCG1178	C 771	(B,63,150)	CKSRYP103K50
C 541	(A,36,76)	CKSYB106K6R3	C 772	(A,86,149)	CEVLW100M16
C 543	(B,40,70)	CKSYB475K16	C 773	(B,70,139)	CKSRYP103K50
C 544	(B,33,70)	CKSRYP103K50	C 781	(B,70,35)	CKSRYP103K50
C 545	(A,33,70)	CEVLW220M6R3	C 782	(A,74,29)	CEVLW100M16
C 546	(A,40,70)	CEVLW101M10	C 783	(B,73,40)	CKSRYP103K50
C 547	(B,136,5)	CKSRYP105K6R3	C 801	(B,34,31)	CKSRYP153K50
C 551	(A,124,22)	CKSYB106K6R3	C 802	(B,47,30)	CKSRYP223K50
C 552	(A,130,22)	CKSYB106K6R3	C 803	(A,35,20) 220µF/10V	CCH1409
C 554	(A,131,17)	CCSRCH6R0D50	C 804	(A,46,20) 470µF/6.3V	CCH1437
C 555	(A,122,15)	CKSRYP104K50	C 805	(A,52,51)	CKSYB225K16
C 556	(A,123,17) 10µF	CCG1171	C 806	(A,34,50)	CKSYB225K16
C 557	(B,124,14)	CKSRYP104K50	C 807	(B,38,36)	CKSYB475K16
C 558	(B,130,9)	CKSRYP104K50	C 808	(B,42,34)	CCSRCH101J50
C 561	(A,122,36)	CKSYB106K6R3	C 809	(B,34,41)	CKSRYP223K50
C 562	(A,127,36)	CKSYB106K6R3	C 810	(B,48,41)	CKSRYP683K50
C 564	(A,125,31)	CCSRCH6R0D50	C 811	(B,38,44)	CKSRYP104K50
C 565	(A,119,29)	CKSRYP104K50	C 812	(B,43,44)	CKSRYP104K50
C 566	(B,135,19)	CKSRYP104K50	C 813	(A,41,46)	CKSRYP104K50
C 567	(A,119,32) 10µF	CCG1171	C 814	(A,42,48)	CKSYB475K16
C 568	(B,123,26)	CKSRYP104K50	C 815	(A,65,48) 100µF/16V	CCH1565
C 571	(A,132,36)	CKSYB106K6R3	C 816	(A,60,54)	CKSYB225K16
C 572	(A,137,36)	CKSYB106K6R3	C 817	(A,89,125) 2200µF/16V	CCH1405
C 574	(A,135,31)	CCSRCH6R0D50	C 818	(A,70,40) 100µF/16V	CCH1565
C 575	(A,130,29)	CKSRYP104K50	C 819	(A,63,40) 100µF/16V	CCH1565
C 576	(A,130,33) 10µF	CCG1171	C 820	(B,51,42)	CKSRYP474K10
C 577	(B,134,25)	CKSRYP104K50	C 821	(A,35,25) 220µF/10V	CCH1409
C 578	(B,138,24)	CKSRYP104K50	C 831	(B,18,84)	CCSRCH102J50
C 581	(A,142,36)	CKSYB106K6R3	C 832	(A,44,90)	CEVLW470M16
C 582	(A,147,36)	CKSYB106K6R3	C 833	(B,19,82)	CKSRYP474K10
C 584	(A,148,31)	CCSRCH6R0D50	C 841	(B,101,34)	CKSYB475K16
C 585	(A,141,29)	CKSRYP104K50	C 842	(B,101,32)	CKSRYP102K50
C 586	(A,141,33) 10µF	CCG1171	C 843	(A,105,19)	CEVLW101M10
C 587	(B,145,26)	CKSRYP104K50	C 845	(B,110,21)	CKSRYP103K50
C 588	(B,151,24)	CKSRYP104K50	C 846	(B,113,21)	CKSRYP103K50

**Circuit Symbol and No.****Part No.****Circuit Symbol and No.****Part No.**

C 847 (A,108,29) CEVW101M16

C 848 (A,165,61) 2200µF/16V CCH1405

C 849 (A,157,50) CKSRYB104K50

C 851 (A,84,24) 0.22µF CCL1058

C 852 (A,65,21) CKSQYB225K10

C 853 (A,70,24) CKSRYB105K10

C 854 (A,75,20) CKSRYB102K50

C 856 (A,61,63) CKSRYB105K6R3

C 857 (A,57,67) CKSRYB105K10

C 858 (A,59,69) CKSRYB103K50

C 864 (A,70,98) CKSRYB104K50

C 871 (A,154,101) CEVLW101M10

C 872 (A,158,110) CKSRYB103K50

C 873 (A,152,116) CEVW101M16

C 881 (A,5,140) CEVLW220M6R3

C 882 (B,32,139) CKSRYB103K50

C 883 (B,33,145) CKSYB475K16

C 884 (B,34,142) CKSRYB104K50

C 891 (B,161,75) CKSRYB104K50

C 892 (A,163,76) CEVLW470M6R3

C 893 (B,164,74) CKSRYB103K50

C 894 (A,166,71) 10µF CCG1182

C 895 (B,152,101) CKSRYB104K50

**G****Unit Number:CWM9816(UC)****Unit Number:CWM9815(EW)****Unit Name:RGB Unit****MISCELLANEOUS**

IC 981 (A,59,33) IC TC7SET08FUS1

D 951 (A,38,28) Diode HZU2R7(B1)

D 952 (A,36,28) Diode HZU2R7(B1)

D 953 (A,18,18) Diode HZU2R7(B1)

D 954 (A,22,18) Diode HZU2R7(B1)

D 955 (A,13,23) Diode HZU2R7(B1)

D 956 (A,17,23) Diode HZU2R7(B1)

D 957 (A,15,21) Diode HZU2R7(B1)

D 958 (A,18,19) Diode HZU2R7(B1)

D 959 (A,13,24) Diode HZU2R7(B1)

D 960 (A,17,24) Diode HZU2R7(B1)

D 961 (A,56,27) Diode UDZS5R6(B)

D 962 (A,16,26) Diode UDZS5R6(B)

D 963 (A,12,26) Diode UDZS5R6(B)

D 964 (A,16,28) Diode UDZS5R6(B)

D 965 (A,12,28) Diode UDZS5R6(B)

D 981 (A,65,40) Diode UDZS5R6(B)

D 982 (A,59,35) Diode UDZS5R6(B)

L 981 (A,56,31) Inductor CTF1389

L 982 (A,57,15) Inductor CTF1379

**RESISTORS**

R 982 (A,57,27) RS1/16S0R0J

R 983 (A,57,33) RS1/16S121J

R 984 (A,68,39) RS1/16S473J

R 985 (A,70,40) RS1/16S621J

R 986 (A,72,39) RS1/16S221J

R 987 (A,67,9) RS1/16S0R0J

**CAPACITORS**

C 951 (A,61,9) CKSRYB102K50

C 952 (A,62,27) CCSRCH471J50

C 953 (A,8,24) CKSRYB104K50

C 981 (A,62,34) CKSYB106K6R3

C 982 (A,59,29) CKSRYB104K50

C 983 (A,70,38) CCSRCH150J50

C 984 (A,56,35) CKSRYB104K50

**Monitor Unit****Consists of****Monitor PCB****Inverter PCB****Upper PCB****BFH****Unit Number:CWM9821(UC)****Unit Number:CWM9820(EW)****Unit Name:Monitor Unit****MISCELLANEOUS**

IC 4001 (A,119,33) IC TC90A96AFG

IC 4101 (A,100,67) IC NJM2100V

IC 4102 (A,142,49) IC TC7SET04FUS1

IC 4103 (A,144,41) IC TC7S66FU

IC 4104 (A,147,32) IC NJM082BV

IC 4105 (A,95,66) IC M62343FP

IC 4121 (A,96,57) IC TC74VHC04FTS1

IC 4122 (A,91,60) IC TC7SET04FUS1

IC 4171 (A,150,13) IC TC7S04FU

IC 4181 (A,21,43) IC BD6171KV

IC 4182 (A,74,16) IC S-1131B25UC-N4K

IC 4183 (A,80,27) IC S-1131B15UC-N4A

IC 4311 (B,7,106) IC NJM062V

IC 4451 (A,144,21) IC TC7WH08FU

IC 4452 (A,141,27) IC TC7SH02FUS1

IC 4453 (A,144,28) TC7SH32FUS1

IC 4531 (A,57,43) IC TC7SET08FUS1

IC 4601 (A,68,60) IC PEG087A

IC 4602 (A,49,66) IC S-80827CNNB-B8M

IC 4604 (A,62,44) IC TC7SET08FUS1

IC 4605 (A,64,43) IC TC7SH08FUS1

IC 4606 (A,49,70) IC S-818A33AUC-BGN

IC 4691 (A,40,16) IC S-93C56BD01-J8

IC 5341 (B,9,45) IC OZ9611SN

IC 5345 (B,10,28) IC TC7SET08FUS1

IC 5373 (B,11,8) IC TA78L05F

Q 4001 (A,114,14) Transistor 2SC4617

Q 4101 (A,149,41) Transistor UMX2N

Q 4102 (A,148,48) Transistor UMT2N

Q 4181 (A,31,38) FET RSQ035P03

Q 4182 (A,33,49) FET RSQ035P03

Q 4301 (A,30,9) Transistor 2SC4617

Q 4440 (A,84,10) Transistor 2SC4081

Q 4441 (A,91,10) Transistor 2SA1576

Q 4501 (A,19,76) Transistor UMF5N

Q 4502 (A,23,76) Transistor UMF5N

<u>Circuit Symbol and No.</u>			<u>Part No.</u>	<u>Circuit Symbol and No.</u>			<u>Part No.</u>
Q 4503	(A,28,75)	Transistor	FMG12	D 5372	(B,12,33)	Diode	RB751V40
Q 4602	(A,43,68)	Transistor	2SC4617	L 4001	(A,103,41)	Inductor	CTF1306
Q 4603	(A,55,71)	Transistor	DTC114EE	L 4002	(A,100,35)	Inductor	CTF1306
Q 4661	(A,66,11)	Transistor	2SC4617	L 4003	(A,103,36)	Inductor	CTF1306
Q 4662	(A,66,15)	Transistor	2SC4617	L 4004	(A,101,32)	Inductor	CTF1306
Q 4663	(A,62,12)	Transistor	2SC4617	L 4005	(A,103,29)	Inductor	CTF1306
Q 5002	(B,12,65)	Transistor	2SC4617	L 4006	(A,101,28)	Inductor	CTF1306
Q 5003	(B,11,67)	Transistor	2SC4617	L 4007	(A,102,25)	Inductor	CTF1306
Q 5005	(B,10,72)	Transistor	UMX2N	L 4008	(A,102,23)	Inductor	CTF1306
Q 5342	(B,5,34)	Transistor	2SA1774	L 4009	(A,104,19)	Inductor	CTF1306
Q 5343	(A,9,52)	FET	SI6544DQ	L 4010	(A,104,18)	Inductor	CTF1306
Q 5344	(A,7,55)	FET	SI6544DQ	L 4011	(A,102,15)	Inductor	CTF1306
Q 5371	(A,11,30)	Transistor	2SC4617	L 4012	(A,102,14)	Inductor	CTF1306
Q 5372	(A,10,34)	Transistor	2SC4617	L 4013	(A,111,11)	Inductor	CTF1306
D 4181	(A,33,35)	Diode	RB160M-30	L 4018	(A,114,12)	Inductor	CTF1306
D 4182	(A,38,49)	Diode	U2FWJ44N	L 4025	(A,119,16)	Inductor	CTF1306
D 4183	(A,30,33)	Diode	RB548W	L 4030	(A,121,16)	Inductor	CTF1306
D 4184	(A,28,33)	Diode	RB548W	L 4034	(A,125,16)	Inductor	CTF1306
D 4185	(A,16,29)	Diode	RB548W	L 4036	(A,129,16)	Inductor	CTF1306
D 4186	(A,12,33)	Diode	RB548W	L 4038	(A,131,19)	Inductor	CTF1306
D 4187	(A,12,37)	Diode	RB548W	L 4039	(A,135,20)	Inductor	CTF1306
D 4241	(A,75,28)	Diode	RB500V-40	L 4040	(A,135,21)	Inductor	CTF1306
D 4242	(A,70,11)	Diode	RB500V-40	L 4041	(A,138,20)	Inductor	CTF1306
D 4311	(B,8,125)	Photo Diode	AM-30-21	L 4042	(A,139,21)	Inductor	CTF1306
D 4312	(B,4,131)	Diode	UDZS5R6(B)	L 4043	(A,138,23)	Inductor	CTF1306
D 4313	(B,12,133)	Diode	UDZS5R6(B)	L 4044	(A,135,24)	Inductor	CTF1306
D 4331	(B,6,11)	Diode (EW)	CL-195SR-CD	L 4048	(A,135,26)	Inductor	CTF1306
D 4332	(B,6,20)	Diode (EW)	CL-195SR-CD	L 4049	(A,136,27)	Inductor	CTF1306
D 4333	(B,6,142)	Diode (EW)	CL-195SR-CD	L 4050	(A,135,28)	Inductor	CTF1306
D 4334	(B,6,151)	Diode (EW)	CL-195SR-CD	L 4051	(A,136,30)	Inductor	CTF1306
D 4351	(B,6,9)	LED	CL-195PG-CD	L 4052	(A,136,31)	Inductor	CTF1306
D 4352	(B,6,21)	LED	CL-195PG-CD	L 4053	(A,135,34)	Inductor	CTF1306
D 4353	(B,6,141)	LED	CL-195PG-CD	L 4054	(A,135,36)	Inductor	CTF1306
D 4354	(B,6,152)	LED	CL-195PG-CD	L 4055	(A,135,37)	Inductor	CTF1306
D 4371	(B,9,65)	LED	CL-190UB2-X	L 4056	(A,135,38)	Inductor	CTF1306
D 4372	(B,9,81)	LED	CL-190UB2-X	L 4057	(A,136,40)	Inductor	CTF1306
D 4373	(B,9,96)	LED	CL-190UB2-X	L 4058	(A,138,41)	Inductor	CTF1306
D 4501	(A,37,81)	Diode	UDZS5R6(B)	L 4059	(A,136,43)	Inductor	CTF1306
D 4502	(A,35,84)	Diode	UDZS5R6(B)	L 4060	(A,135,44)	Inductor	CTF1306
D 4503	(A,36,77)	Diode	UDZS5R6(B)	L 4061	(A,132,47)	Ferrite Bead	CTF1528
D 4504	(A,39,76)	Diode	UDZS5R6(B)	L 4062	(A,132,48)	Ferrite Bead	CTF1528
D 4505	(A,27,78)	Diode	MA111	L 4063	(A,130,48)	Ferrite Bead	CTF1528
D 4591	(A,21,16)	Diode	UDZS5R6(B)	L 4064	(A,130,48)	Ferrite Bead	CTF1528
D 4592	(A,21,14)	Diode	UDZS5R6(B)	L 4065	(A,129,48)	Ferrite Bead	CTF1528
D 4593	(A,21,13)	Diode	UDZS5R6(B)	L 4066	(A,128,48)	Ferrite Bead	CTF1528
D 4594	(A,11,16)	Diode	UDZS5R6(B)	L 4067	(A,127,48)	Ferrite Bead	CTF1528
D 5001	(B,7,63)	Diode	UDZS8R2(B)	L 4068	(A,126,50)	Inductor	CTF1306
D 5201	(A,9,39)	LED	CL-195PG-CD	L 4069	(A,124,50)	Inductor	CTF1306
D 5202	(A,9,26)	LED	CL-195PG-CD	L 4070	(A,123,49)	Ferrite Bead	CTF1528
D 5203	(A,9,12)	LED	CL-195PG-CD	L 4071	(A,123,51)	Ferrite Bead	CTF1528
D 5251	(A,7,39)	Diode (EW)	CL-195SR-CD	L 4072	(A,122,49)	Ferrite Bead	CTF1528
D 5252	(A,7,26)	Diode (EW)	CL-195SR-CD	L 4073	(A,121,51)	Ferrite Bead	CTF1528
D 5253	(A,7,12)	Diode (EW)	CL-195SR-CD	L 4074	(A,121,49)	Ferrite Bead	CTF1528
D 5340	(B,5,70)	Diode	HZU6R2(B3)	L 4075	(A,120,51)	Ferrite Bead	CTF1528
D 5341	(A,11,49)	Diode	HZU6R2(B3)	L 4076	(A,119,49)	Inductor	CTF1306
D 5342	(A,6,49)	Diode	HZU6R2(B3)	L 4077	(A,118,49)	Ferrite Bead	CTF1528
D 5343	(B,6,96)	Diode	MA143	L 4078	(A,118,51)	Ferrite Bead	CTF1528
D 5344	(B,5,75)	Diode	MA143	L 4079	(A,117,49)	Ferrite Bead	CTF1528
D 5351	(B,8,25)	Diode	1SS355	L 4080	(A,116,51)	Ferrite Bead	CTF1528
D 5371	(B,6,31)	Diode	UDZS6R2(B)	L 4081	(A,116,49)	Ferrite Bead	CTF1528

**Circuit Symbol and No.****Part No.****Circuit Symbol and No.****Part No.**

L	4082	(A,115,51) Ferrite Bead	CTF1528
L	4083	(A,114,50) Inductor	CTF1306
L	4084	(A,112,52) Inductor	CTF1306
A	L 4085	(A,112,49) Inductor	CTF1306
L	4086	(A,111,50) Ferrite Bead	CTF1528
L	4087	(A,110,50) Ferrite Bead	CTF1528
L	4088	(A,109,50) Ferrite Bead	CTF1528
L	4089	(A,108,50) Ferrite Bead	CTF1528
L	4090	(A,107,50) Ferrite Bead	CTF1528

VR5341	(A,10,43) Semi-fixed 15kΩ(B)	CCP1424
⚠ FU4541	(A,29,70) Fuse 500mA	CEK1251
⚠ FU5341	(B,4,27) Fuse 1.25A	CEK1281
EF4401	(A,88,39) EMI Filter	CCG1082
EF4402	(A,88,35) EMI Filter	CCG1082
EF4403	(A,89,32) EMI Filter	CCG1082

**RESISTORS**

L	4091	(A,106,50) Ferrite Bead	CTF1528
L	4092	(A,106,48) Inductor	CTF1306
L	4093	(A,105,46) Inductor	CTF1306
L	4094	(A,99,14) Inductor	CTF1635
L	4095	(A,136,15) Inductor	CTF1635

R 4001	(A,111,17)	RS1/16SS105J
R 4002	(A,110,14)	RS1/16SS391J
R 4003	(A,114,16)	RS1/16SS152J
R 4004	(A,116,16)	RS1/16SS331J
R 4005	(A,120,10)	RS1/16S0R0J

B	L 4096	(A,95,17) Inductor	CTF1635
L	4097	(A,139,44) Inductor	CTF1635
L	4098	(A,101,38) Inductor	CTF1635
L	4099	(A,99,18) Inductor	CTF1635
L	4100	(A,46,53) Choke Coil 18μH	CTH1250

R 4061	(A,138,34)	RS1/16SS333J
R 4062	(A,134,48)	RAB4CQ221J
R 4063	(A,128,50)	RAB4CQ221J
R 4064	(A,122,53)	RAB4CQ221J
R 4065	(A,119,53)	RAB4CQ221J

L	4101	(A,141,33) Inductor	LCKAW101J2520
L	4102	(A,150,27) Inductor	LCKAW101J2520
L	4105	(A,146,45) Inductor	CTF1306
L	4121	(A,96,49) Inductor	CTF1635
L	4122	(A,97,61) Inductor	CTF1306

R 4066	(A,134,33)	RS1/16S102J
R 4067	(A,116,53)	RAB4CQ221J
R 4068	(A,110,52)	RAB4CQ221J
R 4069	(A,107,52)	RAB4CQ221J
R 4070	(A,135,18)	RS1/16S0R0J

C	L 4123	(A,92,55) Inductor	CTF1306
L	4151	(A,133,53) Chip Inductor	DTL1096
L	4152	(A,128,53) Inductor	CTF1635
L	4153	(A,136,54) Inductor	CTF1635
L	4161	(A,144,55) Chip Inductor	DTL1096

R 4101	(A,104,63)	RS1/16S101J
R 4102	(A,104,67)	RS1/16S101J
R 4103	(A,151,36)	RS1/16SS472J
R 4104	(A,151,31)	RS1/16SS223J
R 4106	(A,145,34)	RS1/16S3302F

L	4171	(A,142,15) Inductor	LCKAW101J2520
L	4172	(A,150,16) Inductor	CTF1306
L	4173	(A,146,12) Inductor	CTF1379
L	4181	(A,23,25) Chip Inductor	DTL1096
L	4185	(A,42,60) Choke Coil 10μH	CTH1249

R 4107	(A,144,32)	RS1/16S5602F
R 4108	(A,148,39)	RS1/16S101J
R 4111	(A,150,43)	RS1/16S153J
R 4112	(A,151,45)	RS1/16SS153J
R 4113	(A,148,44)	RS1/16SS0R0J

D	L 4186	(A,10,47) Inductor	CTF1635
L	4195	(A,26,26) Inductor	CTF1635
L	4203	(A,36,30) Choke Coil 68μH	CTH1318
L	4207	(A,12,27) Inductor	CTF1635
L	4214	(A,36,55) Choke Coil 18μH	CTH1250

R 4114	(A,150,45)	RS1/16SS0R0J
R 4115	(A,150,39)	RS1/16SS100J
R 4116	(A,151,47)	RS1/16SS100J
R 4117	(A,143,46)	RS1/16SS681J
R 4118	(A,90,65)	RAB4CQ221J

L	4311	(B,11,114) Inductor	LCKBW100K2520
L	4423	(A,79,15) Inductor	LCKAW101J2520
L	4424	(A,88,15) Inductor	LCTAW220J2520
L	4425	(A,91,15) Chip Coil	LCTAW270J2520
L	4451	(A,145,15) Inductor	LCKAW101J2520

R 4122	(A,101,61)	RS1/16S27R0D
R 4124	(A,101,59)	RS1/16S10R0D
R 4125	(A,105,61)	RS1/16S6800D
R 4126	(A,103,60)	RS1/16S1000D
R 4128	(A,104,58)	RS1/16S82R0F

E	L 4521	(A,88,81) Coil	CTH1338
L	4531	(A,54,43) Inductor	CTF1306
L	4541	(A,24,70) Inductor	CTF1488
L	4601	(A,51,79) Inductor	LCKBW100K2520
L	4602	(A,43,72) Inductor	LCKBW100K2520

R 4132	(A,104,57)	RS1/16S56R0D
R 4134	(A,102,54)	RS1/16S47R0D
R 4136	(A,102,53)	RS1/16S36R0D
R 4138	(A,102,51)	RS1/16S33R0F
R 4142	(A,100,53)	RS1/16S27R0D

T	5341	(A,8,79) Transformer	CTT1126
TH	4301	(A,32,11) Thermistor	CCX1051
X	4001	(A,107,13) Crystal Resonator 42MHz	CSS1604
X	4601	(A,66,49) Radiator 10.0MHz	CSS1577
S	4391	(B,8,5) Push Switch	CSG1126

R 4144	(A,101,55)	RS1/16S1800D
R 4146	(A,101,57)	RS1/16S82R0F
R 4148	(A,101,58)	RS1/16S12R0F
R 4151	(A,132,56)	RS1/16S102J
R 4171	(A,148,15)	RS1/16SS102J

S	4392	(B,8,25) Push Switch	CSG1126
S	4393	(B,8,137) Push Switch	CSG1126
S	4394	(B,8,156) Push Switch	CSG1126
S	5101	(A,11,39) Push Switch	CSG1155
S	5102	(A,11,26) Push Switch	CSG1155

R 4173	(A,140,15)	RS1/16SS102J
R 4174	(A,140,17)	RS1/16SS101J
R 4175	(A,140,19)	RS1/16SS101J
R 4181	(A,26,31)	RS1/16S3303D
R 4182	(A,25,35)	RS1/16S1802D

S	5103	(A,11,12) Push Switch	CSG1155
---	------	-----------------------	---------

R 4183	(A,24,35)	RS1/16S4300D
--------	-----------	--------------

5		6		7		8	
<u>Circuit Symbol and No.</u>		<u>Part No.</u>		<u>Circuit Symbol and No.</u>		<u>Part No.</u>	
R 4184	(A,22,35)	RS1/16S5102D		R 4439	(A,88,8)	RS1/16S391J	
R 4185	(A,14,43)	RS1/16S2202F		R 4440	(A,92,29)	RS1/16SS0R0J	
R 4186	(A,13,45)	RS1/16S1802F		R 4442	(A,87,12)	RS1/16SS104J	
R 4187	(A,15,45)	RS1/16S1002F		R 4444	(A,92,18)	RS1/16SS272J	A
R 4188	(A,30,42)	RS1/16S563J		R 4445	(A,88,9)	RS1/16S471J	
R 4191	(A,29,44)	RS1/16S150J		R 4446	(A,87,11)	RS1/16SS681J	
R 4192	(A,27,49)	RS1/16S150J		R 4448	(A,85,19)	RS1/16S472J	
R 4193	(A,30,50)	RS1/16S273J		R 4449	(A,86,19)	RS1/16SS104J	
R 4194	(A,27,53)	RS1/16S1600D		R 4450	(A,84,13)	RS1/16SS153J	
R 4195	(A,28,55)	RS1/16S1001D		R 4451	(A,150,20)	RAB4CQ101J	
R 4196	(A,28,52)	RS1/16S2700D		R 4452	(A,151,23)	RS1/16SS473J	
R 4201	(A,24,59)	RS1/16S682J		R 4454	(A,145,18)	RS1/16SS473J	
R 4203	(A,15,53)	RS1/16S5100F		R 4455	(A,147,22)	RS1/16SS473J	
R 4204	(A,21,51)	RS1/16S2001F		R 4456	(A,149,22)	RS1/16SS101J	B
R 4216	(A,25,50)	RS1/16S333J		R 4501	(A,20,79)	RS1/16SS105J	
R 4217	(A,26,56)	RS1/16S102J		R 4502	(A,23,79)	RS1/16SS105J	
R 4218	(A,24,56)	RS1/16S684J		R 4503	(A,18,74)	RS1/16SS103J	
R 4219	(A,23,62)	RS1/16S6801F		R 4504	(A,20,74)	RS1/16SS103J	
R 4220	(A,20,61)	RS1/16S1001D		R 4505	(A,22,74)	RS1/16SS103J	
R 4221	(A,23,61)	RS1/16S201J		R 4506	(A,24,74)	RS1/16SS103J	
R 4222	(A,23,54)	RS1/16S123J		R 4507	(A,33,76)	RS1/16SS102J	
R 4241	(A,76,28)	RS1/16SS684J		R 4508	(A,31,77)	RS1/16SS102J	
R 4242	(A,74,22)	RS1/16SS474J		R 4521	(A,97,72)	RS1/16SS101J	
R 4251	(A,137,28)	RS1/16SS470J		R 4522	(A,96,74)	RS1/16SS101J	
R 4252	(A,139,31)	RS1/16SS470J		R 4523	(A,102,74)	RS1/16SS101J	C
R 4253	(A,139,32)	RS1/16SS471J		R 4524	(A,101,74)	RS1/16SS101J	
R 4305	(A,33,14)	RS1/16SS153J		R 4525	(A,99,75)	RS1/16SS101J	
R 4308	(A,28,8)	RS1/16SS104J		R 4526	(A,98,75)	RS1/16SS101J	
R 4309	(A,31,6)	RS1/16S103J		R 4531	(A,59,41)	RS1/16SS101J	
R 4311	(B,7,112)	RS1/16S155J		R 4532	(A,55,44)	RS1/16SS103J	
R 4312	(B,7,117)	RS1/16S105J		R 4541	(A,74,77)	RS1/16SS471J	
R 4313	(B,7,100)	RS1/16S393J		R 4563	(A,65,74)	RS1/16S0R0J	
R 4314	(B,7,101)	RS1/16S103J		R 4564	(A,61,75)	RS1/16S0R0J	
R 4315	(B,9,99)	RS1/16S203J		R 4565	(A,67,45)	RS1/16S0R0J	
R 4316	(B,7,98)	RS1/16S393J		R 4566	(A,69,46)	RS1/16S0R0J	
R 4331	(B,4,17) (EW)	RS1/16S271J		R 4591	(A,12,16)	RS1/16SS101J	D
R 4332	(B,5,16) (EW)	RS1/16S271J		R 4592	(A,24,11)	RS1/16SS101J	
R 4333	(B,4,14) (EW)	RS1/16S181J		R 4593	(A,24,13)	RS1/16SS101J	
R 4334	(B,5,13) (EW)	RS1/16S181J		R 4594	(A,21,18)	RS1/16SS101J	
R 4335	(B,9,45) (EW)	RS1/16S271J		R 4601	(A,50,73)	RS1/16SS103J	
R 4336	(B,9,48) (EW)	RS1/16S271J		R 4602	(A,55,54)	RS1/16SS473J	
R 4337	(B,8,87) (EW)	RS1/16S181J		R 4603	(A,55,46)	RS1/16SS103J	
R 4338	(B,8,90) (EW)	RS1/16S181J		R 4604	(A,39,67)	RS1/16SS473J	
R 4351	(B,11,19)	RS1/16S271J		R 4605	(A,41,68)	RS1/16SS473J	
R 4352	(B,11,16)	RS1/16S271J		R 4606	(A,45,69)	RS1/16SS473J	
R 4353	(B,11,10)	RS1/16S331J		R 4607	(A,63,48)	RS1/16SS101J	
R 4354	(B,4,7)	RS1/16S331J		R 4608	(A,47,66)	RS1/16SS103J	E
R 4355	(B,8,45)	RS1/16S271J		R 4609	(A,71,49)	RS1/16SS101J	
R 4356	(B,8,48)	RS1/16S271J		R 4611	(A,76,42)	RS1/16SS272J	
R 4357	(B,7,87)	RS1/16S331J		R 4612	(A,75,41)	RS1/16SS272J	
R 4358	(B,7,90)	RS1/16S331J		R 4613	(A,66,45)	RS1/16SS471J	
R 4371	(B,7,58)	RS1/16S101J		R 4614	(A,64,47)	RS1/16SS471J	
R 4372	(B,8,60)	RS1/16S101J		R 4616	(A,82,50)	RAB4CQ102J	
R 4373	(B,8,61)	RS1/16S101J		R 4617	(A,82,61)	RS1/16SS473J	
R 4374	(B,8,63)	RS1/16S221J		R 4619	(A,72,70)	RS1/16SS0R0J	
R 4375	(B,9,69)	RS1/16S221J		R 4620	(A,70,71)	RS1/16SS0R0J	
R 4376	(B,9,72)	RS1/16S221J		R 4621	(A,57,70)	RS1/16SS473J	
R 4377	(B,9,74)	RS1/16S221J		R 4622	(A,56,69)	RS1/16SS473J	F
R 4378	(B,9,77)	RS1/16S221J		R 4625	(A,31,24)	RS1/16SS473J	
R 4426	(A,77,76)	RS1/16SS0R0J		R 4626	(A,53,62)	RAB4CQ473J	

**Circuit Symbol and No.****Part No.****Circuit Symbol and No.****Part No.**

R 4627	(A,53,59)	RS1/16SS471J			
R 4628	(A,54,66)	RS1/16SS471J	C 4012	(A,111,18)	CKSSYF104Z16
R 4630	(A,58,49)	RAB4CQ473J	C 4013	(A,114,18)	CKSSYF104Z16
A R 4635	(A,76,70)	RS1/16SS102J	C 4014	(A,105,14)	CCSSCH9R0D50
			C 4015	(A,110,12)	CCSSCH9R0D50
R 4636	(A,75,70)	RS1/16SS472J	C 4016	(A,113,16)	CKSSYB103K16
R 4665	(A,64,11)	RS1/16SS1002D			
R 4666	(A,65,14)	RS1/16SS1002D	C 4017	(A,112,14)	CCSSCH181J25
R 4667	(A,60,12)	RS1/16SS1002D	C 4018	(A,116,18)	CKSSYF104Z16
R 4668	(A,65,12)	RS1/16SS5602F	C 4019	(A,115,16)	CCSSCH4R0C50
			C 4020	(A,113,14)	CKSSYF104Z16
R 4669	(A,64,15)	RS1/16SS5602F	C 4022	(A,116,14)	CKSSYB104K10
R 4670	(A,62,14)	RS1/16SS5602F			
R 4671	(A,63,9)	RS1/16SS5602F	C 4023	(A,117,15)	CKSSYB104K10
R 4672	(A,67,14)	RS1/16SS5602F	C 4024	(A,117,17)	CKSSYB104K10
R 4673	(A,60,10)	RS1/16SS5602F	C 4025	(A,119,18)	CKSSYF104Z16
B			C 4026	(A,121,12)	CKSSYB104K10
R 4674	(A,65,9)	RS1/16SS102J	C 4027	(A,122,13)	CKSSYB104K10
R 4675	(A,67,12)	RS1/16SS102J			
R 4676	(A,62,10)	RS1/16SS102J	C 4028	(A,120,14)	CKSSYB104K10
R 4692	(A,41,12)	RS1/16S103J	C 4030	(A,121,18)	CKSSYF104Z16
R 4701	(A,88,47)	RS1/10S103J	C 4031	(A,123,15)	CKSSYB104K10
			C 4032	(A,122,17)	CKSSYB104K10
R 4708	(A,99,30)	RS1/16S0R0J	C 4033	(A,123,17)	CKSSYB104K10
R 5002	(B,7,67)	RS1/16S621J			
R 5003	(B,9,63)	RS1/16S103J	C 4034	(A,124,17)	CKSSYB104K10
R 5004	(B,11,63)	RS1/16S104J	C 4035	(A,125,18)	CKSSYF104Z16
R 5005	(B,7,66)	RS1/16S473J	C 4036	(A,125,12)	CKSSYB104K10
			C 4037	(A,126,12)	CKSSYB104K10
C			C 4038	(A,127,12)	CKSSYB104K10
R 5006	(B,8,70)	RS1/16S621J			
R 5007	(B,4,68)	RS1/16S821J			
R 5008	(B,12,73)	RS1/16S101J	C 4039	(A,127,16)	CKSSYB104K10
R 5009	(B,12,70)	RS1/16S101J	C 4040	(A,128,16)	CKSSYB104K10
R 5221	(A,8,10)	RS1/16SS151J	C 4041	(A,128,18)	CKSSYF104Z16
			C 4043	(A,133,11)	CKSRYB104K50
R 5222	(A,5,12)	RS1/16SS151J	C 4044	(A,129,18)	CKSSYF104Z16
R 5223	(A,5,14)	RS1/16SS101J			
R 5224	(A,5,15)	RS1/16SS101J	C 4045	(A,133,21)	CKSSYF104Z16
R 5251	(A,8,18) (EW)	RAB4CQ181J	C 4046	(A,134,23)	CKSSYF104Z16
R 5342	(B,9,31)	RS1/16S103J	C 4047	(A,133,25)	CKSSYF104Z16
			C 4049	(A,134,27)	CKSSYF104Z16
R 5343	(B,5,37)	RS1/16S333J	C 4053	(A,133,31)	CKSSYF104Z16
D					
R 5344	(B,5,33)	RS1/16S473J			
R 5345	(B,5,29)	RS1/16S472J	C 4054	(A,133,35)	CKSSYF104Z16
R 5346	(B,4,66)	RS1/16S513J	C 4055	(A,133,37)	CKSSYF104Z16
R 5347	(B,4,72)	RS1/16S105J	C 4056	(A,133,38)	CKSSYF104Z16
			C 4057	(A,134,40)	CKSSYF104Z16
R 5348	(A,12,44)	RS1/16S563J	C 4058	(A,135,41)	CKSSYF104Z16
R 5349	(A,5,47)	RS1/16S103J			
R 5351	(A,9,47)	RS1/16S103J	C 4059	(A,134,42)	CKSSYF104Z16
R 5353	(B,4,92)	RS1/16S511J	C 4060	(A,133,45)	CKSRYF105Z10
R 5371	(B,7,35)	RS1/16S103J	C 4062	(A,137,33)	CKSSYF104Z16
			C 4068	(A,126,47)	CKSSYF104Z16
R 5372	(A,8,30)	RS1/16S104J	C 4069	(A,124,48)	CKSSYF104Z16
R 5373	(B,8,36)	RS1/16S473J			
R 5374	(B,11,37)	RS1/16S105J	C 4076	(A,120,47)	CKSSYF104Z16
R 5378	(B,12,30)	RS1/16S102J	C 4083	(A,115,47)	CKSSYF104Z16
			C 4085	(A,113,47)	CKSSYF104Z16
			C 4089	(A,101,48)	CSZSR330M10
			C 4090	(A,113,48)	CKSSYF104Z16
<b>CAPACITORS</b>					
C 4001	(A,104,43)	CKSSYF104Z16			
C 4002	(A,104,39)	CKSSYF104Z16	C 4091	(A,49,58)	CKSRYB104K50
C 4003	(A,104,37)	CKSSYF104Z16	C 4092	(A,109,47)	CKSSYF104Z16
C 4004	(A,104,33)	CKSSYF104Z16	C 4093	(A,106,46)	CKSSYF104Z16
C 4005	(A,104,31)	CKSSYF104Z16	C 4094	(A,115,10)	CKSYF105Z16
			C 4095	(A,133,15)	CSZSR330M10
C 4006	(A,104,27)	CKSSYF104Z16			
F			C 4096	(A,97,14)	CKSYF105Z16
C 4007	(A,104,25)	CKSSYF104Z16	C 4097	(A,141,43)	CSZS100M16
C 4008	(A,104,22)	CKSSYF104Z16	C 4098	(A,100,41)	CSZSR220M10
C 4009	(A,107,18)	CKSSYF104Z16	C 4099	(A,100,20)	CSZSR220M10
C 4011	(A,109,18)	CKSSYF104Z16	C 4100	(A,101,45)	CSZSR330M10

5		6		7		8	
<u>Circuit Symbol and No.</u>		<u>Part No.</u>		<u>Circuit Symbol and No.</u>		<u>Part No.</u>	
C 4101	(A,144,47)	CKSSYF104Z16		C 4219	(A,26,49)	CKSRYB103K50	
C 4102	(A,99,71)	CKSSYF104Z16		C 4221	(A,26,55)	CCSRCH331J50	A
C 4103	(A,144,44)	CKSRYB105K6R3		C 4223	(A,26,57)	CKSRYB393K16	
C 4104	(A,145,39)	CKSRYB104K50		C 4224	(A,22,56)	CKSRYB103K50	
C 4105	(A,144,37)	CKSSYF104Z16		C 4226	(A,22,59)	CKSRYB473K50	
C 4106	(A,145,25)	CKSRYB104K50		C 4228	(A,17,53)	CKSRYB393K16	
C 4107	(A,141,38)	CSZSR220M16		C 4229	(A,14,47)	CKSRYB393K16	
C 4108	(A,147,25) 4.7μF	CCG1111		C 4230	(A,32,62)	CKSRYB102K50	
C 4109	(A,96,70)	CSZS100M16		C 4231	(A,17,50)	CKSRYB104K50	
C 4111	(A,149,37)	CKSRYB105K6R3		C 4232	(A,19,51)	CSZS100M16	
C 4112	(A,151,33)	CKSRYB104K50		C 4233	(A,14,48)	CKSRYB105K6R3	
C 4121	(A,91,57)	CKSRYF104Z16		C 4234	(A,10,50)	CKSRYB104K50	
C 4122	(A,98,53)	CKSSYF104Z16		C 4235	(A,21,31)	CKSRYB103K50	
C 4123	(A,97,51)	CSZS100M16		C 4236	(A,81,24)	CKSRYF105Z10	B
C 4151	(A,134,51)	CKSSYF104Z16		C 4237	(A,80,31)	CKSSYB104K10	
C 4152	(A,128,58)	CKSSYF104Z16		C 4238	(A,77,31)	CSZS100M10	
C 4153	(A,136,52)	CKSRYB104K50		C 4239	(A,17,38)	CKSSYF104Z16	
C 4154	(A,135,56)	CKSRYB104K50		C 4240	(A,33,45)	CKSRYB103K50	
C 4155	(A,134,55)	CKSSYF104Z16		C 4241	(A,75,20)	CKSRYF105Z10	
C 4156	(A,128,56)	CSZSR330M10		C 4242	(A,74,13)	CKSSYB104K10	
C 4157	(A,138,56)	CKSQYF334Z25		C 4243	(A,71,15)	CSZS100M10	
C 4158	(A,132,52)	CSZS100M16		C 4244	(A,77,24)	CSZS100M16	
C 4161	(A,130,51)	CKSSYF104Z16		C 4245	(A,75,12)	CKSSYF104Z16	
C 4162	(A,146,53)	CKSRYB104K50		C 4248	(A,77,28)	CKSSYB104K10	
C 4163	(A,140,53) 4.7μF	CCG1111		C 4261	(A,41,10)	CKSRYB104K50	C
C 4164	(A,141,56)	CKSRYB104K50		C 4301	(A,30,6)	CKSRYB105K6R3	
C 4172	(A,144,12)	CKSRYB104K50		C 4302	(A,33,10)	CKSRYB104K50	
C 4181	(A,20,27)	CKSQYF105Z25		C 4311	(B,7,114)	CKSRYB474K10	
C 4182	(A,30,27)	CKSQYF105Z25		C 4312	(B,7,115)	CKSRYB104K50	
C 4183	(A,29,29)	CKSRYB104K50		C 4313	(B,4,117)	CKSRYB104K50	
C 4184	(A,24,33)	CKSQYF105Z25		C 4314	(B,10,117)	CKSRYB104K50	
C 4188	(A,13,31)	CKSQYF105Z25		C 4315	(B,5,106)	CKSRYB104K50	
C 4190	(A,11,41)	CKSQYF225Z16		C 4371	(B,6,65)	CKSRYB104K50	
C 4191	(A,11,40)	CKSQYF225Z16		C 4372	(B,6,80)	CKSRYB104K50	
C 4192	(A,11,43)	CKSQYF105Z25		C 4373	(B,6,95)	CKSRYB104K50	
C 4193	(A,15,35)	CKSRYF474Z16		C 4430	(A,91,18)	CCSSCH470J50	
C 4194	(A,16,31)	CKSRYF474Z16		C 4431	(A,90,18)	CCSSCH680J50	
C 4195	(A,20,31)	CKSYF475Z16		C 4432	(A,89,18)	CCSSCH470J50	
C 4196	(A,26,35)	CKSRYB472K50		C 4433	(A,85,15) 10μF	CCG1171	
C 4197	(A,29,35)	CKSRYB472K50		C 4438	(A,81,13)	CKSSYF104Z16	
C 4198	(A,26,23)	CKSQYF105Z25		C 4439	(A,90,12)	CCSSCH5R0C50	
C 4199	(A,15,37)	CKSRYF474Z16		C 4440	(A,82,16)	CSZSR330M10	
C 4200	(A,11,35)	CKSQYF105Z25		C 4452	(A,141,30)	CKSSYB104K10	
C 4201	(A,43,30) 33μF/10V	CCH1586		C 4453	(A,143,19)	CKSSYB104K10	
C 4202	(A,40,29)	CKSRYB104K50		C 4454	(A,144,30)	CKSSYB104K10	
C 4203	(A,33,39)	CKSRYB103K50		C 4455	(A,149,18)	CSZS100M10	E
C 4204	(A,36,38) 10μF	CCG1138		C 4501	(A,38,81)	CKSSYB102K10	
C 4205	(A,27,38)	CKSRYB103K50		C 4502	(A,37,85)	CKSSYB102K10	
C 4206	(A,28,38)	CKSRYB105K6R3		C 4503	(A,37,78)	CKSSYB102K10	
C 4207	(A,10,27)	CKSQYF105Z25		C 4504	(A,38,75)	CKSSYB102K10	
C 4208	(A,30,45)	CKSRYB102K50		C 4506	(A,34,76)	CKSSYB102K10	
C 4209	(A,29,42)	CKSRYB104K50		C 4507	(A,33,78)	CKSSYB102K10	
C 4210	(A,46,62)	CKSQYF105Z25		C 4508	(A,33,75)	CKSRYB105K6R3	
C 4211	(A,30,47)	CKSRYB105K6R3		C 4521	(A,82,80) 10μF	CCG1138	
C 4212	(A,36,45) 10μF	CCG1138		C 4522	(A,78,80) 10μF	CCG1138	
C 4213	(A,30,48)	CKSRYB104K50		C 4531	(A,57,41)	CKSSYB104K10	F
C 4214	(A,39,45) 10μF	CCG1138		C 4541	(A,21,68)	CKSQYF224Z25	
C 4215	(A,38,51)	CKSRYB104K50		C 4601	(A,49,75)	CSZSR330M10	
C 4216	(A,41,53) 68μF/6.3V	CCH1440		C 4602	(A,47,73)	CKSSYB104K10	
C 4217	(A,25,53)	CCSRCH101J50		C 4603	(A,45,72)	CKSQYB225K10	

**Circuit Symbol and No.****Part No.****Circuit Symbol and No.****Part No.**

A	C 4604	(A,36,70)	CSZS330M6R3
	C 4608	(A,70,50)	CKSSYB104K10
	C 4609	(A,64,41)	CKSSYB104K10
	C 4610	(A,62,41)	CKSSYB104K10
	C 4611	(A,45,66)	CKSSYB104K10
	C 4668	(A,76,40) 2.2μF	CCG1179
	C 4669	(A,75,49) 2.2μF	CCG1179
	C 4670	(A,77,40) 2.2μF	CCG1179
	C 4691	(A,35,16)	CKSSYB104K10
	C 5002	(B,10,69)	CKSRYB104K50
	C 5343	(B,10,34)	CKSRYB104K50
	C 5344	(B,12,40)	CKSRYB105K10
B	C 5345	(A,13,34)	CKSQYB474K16
	C 5346	(B,8,38)	CKSRYF105Z10
	C 5347	(B,8,40)	CKSRYF104Z50
	C 5348	(B,4,38)	CKSRYB332K50
	C 5349	(B,4,41)	CKSRYB152K50
	C 5352	(B,12,39)	CKSRYB103K50
	C 5353	(A,5,51)	CKSRYB473K50
	C 5354	(B,11,50)	CFHXSQ221J50
	C 5355	(A,12,47)	CKSRYB473K50
	C 5356	(B,8,54) 10μF	CCG1138
	C 5357	(B,8,58) 10μF	CCG1138
C	C 5358	(A,10,59)	CKSQYB105K10
	C 5359	(A,8,99) 22pF	CCG1140

D 5523	(A,9,7) LED (EW)	CL-195SR-CD
D 5524	(A,154,14) LED	CL-195PG-CD
D 5525	(A,154,13) LED (EW)	CL-195SR-CD
D 5526	(A,150,9) LED	CL-195PG-CD
D 5527	(A,151,10) LED (EW)	CL-195SR-CD
D 5528	(A,100,11) LED	CL-195SR-CD
S 5501	(A,44,3) Push Switch	CSG1155
S 5502	(A,75,3) Push Switch	CSG1155
S 5503	(A,54,3) Push Switch	CSG1155
S 5504	(A,9,17) Push Switch	CSG1155
S 5505	(A,9,3) Push Switch	CSG1155
S 5506	(A,24,4) Push Switch	CSG1155
S 5507	(A,91,3) Push Switch	CSG1155
S 5508	(A,112,3) Push Switch	CSG1155
S 5509	(A,121,3) Push Switch	CSG1155
S 5510	(A,142,4) Push Switch	CSG1155
S 5511	(A,162,10) Push Switch	CSG1155
S 5512	(A,154,17) Push Switch	CSG1155
S 5513	(A,154,3) Push Switch	CSG1155
S 5514	(A,147,10) Push Switch	CSG1155
S 5515	(A,143,14) Push Switch	CSG1155
S 5516	(A,162,20) Push Switch	CSG1155
S 5517	(A,83,8) Switch	CSN1057

**RESISTORS**

R 5501	(B,63,6)	RS1/16S122J
R 5502	(A,63,4)	RS1/16S202J
R 5503	(B,24,5)	RS1/16S392J
R 5504	(B,7,9)	RS1/16S123J
R 5505	(B,60,9) (EW)	RS1/16S220J
R 5506	(A,83,4)	RS1/16S122J
R 5507	(B,112,6)	RS1/16S202J
R 5508	(B,116,6)	RS1/16S392J
R 5509	(B,142,6)	RS1/16S123J
R 5510	(B,156,6)	RS1/16S122J
R 5511	(B,160,12)	RS1/16S202J
R 5512	(B,159,10)	RS1/16S392J
R 5513	(B,146,8)	RS1/16S123J
R 5515	(B,44,6)	RS1/16S221J
R 5516	(B,106,4)	RS1/16S221J
R 5517	(B,94,9)	RS1/16S221J
R 5518	(B,70,5)	RS1/16S391J
R 5519	(B,47,6)	RS1/16S221J
R 5520	(B,109,4)	RS1/16S221J
R 5521	(B,96,9)	RS1/16S221J
R 5522	(B,73,5)	RS1/16S391J
R 5523	(B,50,6)	RS1/16S221J
R 5524	(B,112,4)	RS1/16S221J
R 5525	(B,97,9)	RS1/16S221J
R 5526	(B,73,4)	RS1/16S331J
R 5527	(B,40,5)	RS1/16S151J
R 5528	(B,156,14)	RS1/16S151J
R 5529	(B,136,12)	RS1/16S151J
R 5530	(B,38,5)	RS1/16S121J
R 5531	(B,157,12)	RS1/16S121J
R 5532	(B,138,12)	RS1/16S121J
R 5533	(B,36,5)	RS1/16S121J
R 5534	(B,157,10)	RS1/16S121J
R 5535	(B,139,12)	RS1/16S121J

**Unit Number:****Unit Name:Keyboard Unit****MISCELLANEOUS**

D	IC 5501	(A,19,11) IC	TSOP4840SB1
	D 5501	(B,58,9) LED (EW)	CL-195SR-CD
	D 5502	(A,58,5) LED	CL-190UB2-X
	D 5503	(A,121,5) LED	CL-190UB2-X
	D 5504	(A,95,5) LED	CL-190UB2-X
	D 5505	(A,71,5) LED	CL-190UB2-X
	D 5506	(A,44,5) LED	CL-190UB2-X
	D 5507	(A,108,5) LED	CL-190UB2-X
E	D 5508	(A,84,12) LED	CL-190UB2-X
	D 5509	(B,24,12) Diode	UDZS6R8(B)
	D 5510	(A,27,4) LED	CL-195PG-CD
	D 5511	(A,29,4) LED (EW)	CL-195SR-CD
	D 5512	(A,154,5) LED	CL-195PG-CD
	D 5513	(A,154,7) LED (EW)	CL-195SR-CD
	D 5514	(A,139,12) LED	CL-195PG-CD
	D 5515	(A,138,12) LED (EW)	CL-195SR-CD
	D 5516	(A,11,14) LED	CL-195PG-CD
	D 5517	(A,9,14) LED (EW)	CL-195SR-CD
	D 5518	(A,159,10) LED	CL-195PG-CD
F	D 5519	(A,158,10) LED (EW)	CL-195SR-CD
	D 5520	(A,138,4) LED	CL-195PG-CD
	D 5521	(A,137,4) LED (EW)	CL-195SR-CD
	D 5522	(A,11,6) LED	CL-195PG-CD

**Circuit Symbol and No.****Part No.**

R 5536	(B,32,10)	RS1/16S103J
R 5537	(B,33,12)	RS1/16S101J
R 5538	(B,34,5)	RS1/16S121J
R 5539	(B,157,8)	RS1/16S121J
R 5540	(B,137,9)	RS1/16S121J
R 5541	(B,29,9)	RS1/16S101J
R 5542	(B,105,10)	RS1/16S101J
R 5543	(B,105,11)	RS1/16S101J
R 5544	(A,9,8) (EW)	RS1/16S750J
R 5545	(B,151,10) (EW)	RS1/16S750J
R 5546	(B,149,11) (EW)	RS1/16S750J

**CAPACITORS**

C 5501	(A,59,4)	CKSRYB104K50
C 5502	(A,121,7)	CKSRYB104K50
C 5503	(A,96,4)	CKSRYB104K50
C 5504	(A,70,4)	CKSRYB104K50
C 5505	(A,44,7)	CKSRYB104K50
C 5506	(A,106,4)	CKSRYB104K50
C 5507	(A,86,11)	CKSRYB104K50
C 5508	(B,26,10)	CKSYB475K16

**Unit Number: CWX3170****Unit Name: DVD Core Unit****MISCELLANEOUS**

IC 1001	IC	S-L2980A50MC-C7J
IC 1002	IC	R1130H501B
IC 1003	IC	LTC3411EMS
IC 1051	IC	PE5401A
IC 1201	IC	AN8471SAT1
IC 1231	IC	TC7SZ125FU
IC 1251	IC	BA5985FM
IC 1501	IC	MN35104UB
IC 1570	IC	K4S283232E-TC75
IC 1601	IC	PD6516A
IC 1602	IC	TC7SH86FU
IC 1651	IC	M5M5V216ATP-70HI
IC 1652	IC	TC7SZ126FU
IC 1671	IC	TC74LCX16373AFT
IC 1672	IC	TC7SZ08FU

IC 1801	IC	SM8707LV
IC 1802	IC	TC7WH157FU
IC 1851	IC	PCM1742KE
IC 1852	IC	NJM2140R
IC 1853	IC	NJM2100V

Q 1002	Transistor	DTC114EU
Q 1101	Transistor	2SB1260
Q 1102	Transistor	2SB1260
Q 1103	Transistor	DTC114EU
Q 1104	Transistor	2SA1576A

Q 1105	Transistor	2SC4081
Q 1106	Transistor	2SC4081
Q 1107	Transistor	2SC4081
Q 1551	Transistor	2SA1576
D 1001	Diode	1SR154-400

D 1101	Diode	1SS355
--------	-------	--------

**Circuit Symbol and No.****Part No.**

D 1102	Diode	1SS355
D 1241	Chip LED	CL2051RX TU
L 1001	Inductor	CTF1623
L 1002	Inductor	CTF1624
L 1003	Inductor	CTF1558
L 1004	Inductor	CTF1558
L 1051	Inductor	CTF1473
L 1101	Inductor	CTF1305
L 1501	Inductor	CTF1378
L 1502	Inductor	CTF1487
L 1503	Inductor	CTF1488
L 1554	Inductor	CTF1473
L 1555	Inductor	CTF1473
L 1556	Inductor	CTF1400
L 1557	Inductor	CTF1395
L 1558	Inductor	CTF1473
L 1561	Inductor	CTF1473
L 1601	Inductor	CTF1464
L 1651	Inductor	CTF1464
L 1671	Inductor	CTF1473
L 1801	Inductor	CTF1558
L 1802	Inductor	CTF1558
L 1803	Inductor	CTF1464
L 1804	Inductor	CTF1468
L 1851	Inductor	CTF1471
L 1852	Inductor	CTF1473
L 1901	Inductor	CTF1487
L 1902	Inductor	CTF1558
L 1903	Inductor	CTF1558
L 1904	Inductor	CTF1468
L 1905	Inductor	CTF1468
X 1051	Resonator 4.91MHz	CSS1668
X 1801	Resonator 27.0000MHz	CSS1661
VR1551	Semi-fixed 10kΩ(B)	CCP1448
EF1801	Chp EMI Filter	DTL1106
EF1802	Chp EMI Filter	DTL1106
EF1803	Chp EMI Filter	DTL1106
EF1901	Chp EMI Filter	DTL1106
EF1902	Chp EMI Filter	DTL1106
EF1903	Chp EMI Filter	DTL1106
EF1904	Chp EMI Filter	DTL1106
EF1905	Chp EMI Filter	DTF1106

**RESISTORS**

R 1001	RS1/10S0R0J
R 1003	RS1/16SS1003D
R 1004	RS1/10S0R0J
R 1005	RS1/16SS1501D
R 1006	RS1/16SS8202D
R 1007	RS1/16SS1502D
R 1008	RS1/16SS101J
R 1010	RS1/16SS105J
R 1011	RS1/16SS105J
R 1013	RS1/16SS103J
R 1014	RS1/16SS1203D
R 1015	RS1/16SS2402D
R 1016	RS1/16SS0R0J
R 1017	RS1/16SS0R0J
R 1018	RS1/16SS105J

**Circuit Symbol and No.****Part No.****Circuit Symbol and No.****Part No.**

	R 1021	RS1/16SS122J	R 1131	RS1/16S0R0J
	R 1051	RS1/16SS104J	R 1201	RS1/16SS181J
	R 1052	RS1/16SS104J	R 1202	RS1/16SS181J
A	R 1053	RS1/16SS104J	R 1203	RS1/16SS513J
	R 1054	RS1/16SS104J	R 1204	RS1/16SS221J
	R 1055	RS1/16SS222J	R 1206	RS1/16SS513J
	R 1057	RS1/16SS104J	R 1207	RS1/16S0R0J
	R 1058	RS1/16SS0R0J	R 1208	RS1/16S0R0J
	R 1059	RS1/16SS104J	R 1211	RS1/16SS1R0J
	R 1060	RS1/16SS104J	R 1212	RS1/16SS1R0J
	R 1061	RS1/16SS221J	R 1213	RS1/16SS1R0J
	R 1062	RS1/16SS104J	R 1214	RS1/16SS1R0J
	R 1063	RS1/16SS104J	R 1215	RS1/16SS1R0J
B	R 1064	RS1/16SS104J	R 1216	RS1/16SS1R0J
	R 1065	RS1/16SS104J	R 1231	RS1/16SS822J
	R 1066	RS1/16SS104J	R 1232	RS1/16SS822J
	R 1067	RS1/16SS104J	R 1233	RS1/16SS822J
	R 1068	RS1/16SS221J	R 1234	RS1/16SS822J
	R 1069	RS1/16SS221J	R 1235	RS1/16SS563J
	R 1070	RS1/16SS221J	R 1236	RS1/16SS243J
	R 1071	RS1/16SS221J	R 1237	RS1/16SS683J
	R 1072	RS1/16SS104J	R 1238	RS1/16SS243J
	R 1073	RS1/16SS104J	R 1240	RS1/16S471J
	R 1074	RS1/16SS104J	R 1241	RS1/16S391J
C	R 1075	RS1/16SS472J	R 1246	RS1/16SS104J
	R 1076	RS1/16SS104J	R 1248	RS1/16SS0R0J
	R 1080	RS1/16SS0R0J	R 1251	RS1/16SS221J
	R 1081	RS1/16SS221J	R 1252	RS1/16SS221J
	R 1082	RS1/16SS473J	R 1253	RS1/16SS393J
	R 1083	RS1/16S153J	R 1254	RS1/16SS223J
	R 1084	RS1/16SS104J	R 1256	RS1/16SS102J
	R 1085	RS1/16S823J	R 1257	RS1/16SS0R0J
	R 1087	RS1/16S104J	R 1258	RS1/16SS393J
	R 1088	RS1/16SS104J	R 1259	RS1/16SS393J
	R 1089	RS1/16SS104J	R 1260	RS1/16SS393J
D	R 1090	RAB4CQ104J	R 1261	RS1/16SS393J
	R 1101	RS1/16S6R8J	R 1262	RS1/16SS221J
	R 1102	RS1/16SS3R9J	R 1263	RS1/16S0R0J
	R 1103	RS1/16SS3R9J	R 1269	RS1/16SS102J
	R 1104	RS1/16SS3R9J	R 1270	RS1/16SS102J
	R 1105	RS1/16SS3R9J	R 1501	RS1/16SS0R0J
	R 1106	RS1/16S6R8J	R 1502	RS1/16SS0R0J
	R 1107	RS1/16SS3R9J	R 1503	RAB4CQ101J
	R 1108	RS1/16SS3R9J	R 1504	RS1/16SS0R0J
	R 1109	RS1/16SS3R9J	R 1505	RS1/16SS0R0J
E	R 1110	RS1/16SS3R9J	R 1506	RAB4CQ101J
	R 1111	RS1/16SS272J	R 1507	RS1/16SS0R0J
	R 1112	RS1/16SS472J	R 1508	RAB4CQ101J
	R 1113	RS1/16SS102J	R 1509	RS1/16SS0R0J
	R 1114	RS1/16SS221J	R 1511	RAB4CQ101J
	R 1115	RS1/16SS221J	R 1512	RS1/16SS0R0J
	R 1116	RS1/16SS331J	R 1513	RS1/16SS473J
	R 1117	RS1/16SS221J	R 1514	RS1/16SS104J
	R 1118	RS1/16SS0R0J	R 1515	RS1/16SS222J
	R 1119	RS1/16SS0R0J	R 1518	RS1/16SS104J
	R 1120	RS1/16SS0R0J	R 1519	RS1/16SS104J
F	R 1121	RS1/16SS0R0J	R 1522	RS1/16SS103J
	R 1128	RS1/16S0R0J	R 1523	RS1/16SS104J
	R 1129	RS1/16S0R0J	R 1525	RS1/16SS102J
	R 1130	RS1/16S0R0J	R 1530	RS1/16SS104J

<u>Circuit Symbol and No.</u>		<u>Part No.</u>	<u>Circuit Symbol and No.</u>		<u>Part No.</u>
R 1531		RS1/16S221J	R 1703		RS1/16SS0R0J
R 1532		RS1/16SS104J	R 1704		RS1/16SS105J
R 1536		RS1/16SS104J	R 1705		RN1/16SE1002D
R 1537		RS1/16SS104J	R 1706		RS1/16SS222J
R 1540		RS1/16SS221J	R 1708		RS1/16SS223J
R 1541		RS1/16SS473J	R 1709		RS1/16S1502D
R 1543		RS1/16SS104J	R 1710		RS1/16SS102J
R 1544		RS1/16SS102J	R 1711		RS1/16SS683J
R 1545		RS1/16SS102J	R 1712		RS1/16SS103J
R 1546		RS1/16SS104J	R 1713		RS1/16SS103J
R 1547		RS1/16SS330J	R 1714		RS1/16SS0R0J
R 1548		RS1/16SS104J	R 1715		RS1/16SS0R0J
R 1551	Inductor	CTF1387	R 1716		RS1/16SS0R0J
R 1552		RS1/16S101J	R 1717		RS1/16SS0R0J
R 1555		RS1/16S101J	R 1718		RS1/16SS103J
R 1556		RS1/16S101J	R 1719		RS1/16SS103J
R 1558		RS1/16SS750J	R 1720		RS1/16SS103J
R 1561		RS1/16SS153J	R 1721		RS1/16SS103J
R 1562		RS1/16SS471J	R 1723		RN1/16SE3901D
R 1563		RS1/16SS471J	R 1724		RS1/16SS0R0J
R 1565		RS1/16S68R0D	R 1729		RAB4CQ220J
R 1566		RS1/16S4R7J	R 1730		RAB4CQ220J
R 1567		RS1/16SS273J	R 1801		RS1/16S0R0J
R 1568		RS1/16SS183J	R 1802		RS1/16S151J
R 1569		RS1/16SS153J	R 1803		RS1/16S151J
R 1571		RAB4CQ101J	R 1804		RS1/16S221J
R 1572		RAB4CQ101J	R 1805		RS1/16S271J
R 1573		RAB4CQ101J	R 1806		RS1/16SS104J
R 1574		RAB4CQ101J	R 1807		RS1/16SS560J
R 1575		RS1/16SS560J	R 1809		RS1/16SS0R0J
R 1576		RS1/16SS560J	R 1821		RS1/16SS222J
R 1577		RAB4CQ560J	R 1823		RS1/16SS101J
R 1578		RAB4CQ560J	R 1851		RS1/16SS0R0J
R 1579		RS1/16SS220J	R 1856		RS1/16SS102J
R 1580		RAB4CQ560J	R 1857		RS1/16SS102J
R 1581		RS1/16SS560J	R 1858		RS1/16SS222J
R 1582		RS1/16SS560J	R 1859		RS1/16SS222J
R 1583		RS1/16SS560J	R 1860		RS1/16SS472J
R 1584		RAB4CQ560J	R 1861		RS1/16SS472J
R 1585		RS1/16SS560J	R 1862		RS1/16SS472J
R 1586		RS1/16SS560J	R 1863		RS1/16SS472J
R 1587		RAB4CQ101J	R 1864		RS1/16SS103J
R 1588		RAB4CQ101J	R 1865		RS1/16SS103J
R 1589		RAB4CQ101J	R 1866		RS1/16SS472J
R 1590		RAB4CQ101J	R 1867		RS1/16SS472J
R 1593		RS1/16SS104J	R 1868		RS1/16SS821J
R 1594		RS1/16S0R0J	R 1869		RS1/16SS821J
R 1599		RS1/16S221J	R 1870		RS1/16SS104J
R 1604		RS1/16SS0R0J	R 1871		RS1/16SS104J
R 1608		RS1/16SS104J	R 1872		RS1/16SS0R0J
R 1613		RS1/16SS0R0J	R 1873		RS1/16SS0R0J
R 1652		RS1/16SS104J	R 1874		RS1/16SS0R0J
R 1653		RS1/16SS510J	R 1876		RS1/16SS0R0J
R 1671		RAB4CQ101J	R 1877		RS1/16SS0R0J
R 1672		RAB4CQ101J	R 1885		RS1/16SS0R0J
R 1673		RAB4CQ101J	R 1897		RS1/16SS0R0J
R 1674		RAB4CQ101J	R 1899		RS1/16SS0R0J
R 1675		RS1/16SS331J	R 1901		RS1/16SS221J
R 1701		RS1/16SS103J	R 1903		RS1/16SS221J
R 1702		RS1/16SS103J	R 1908		RS1/16SS102J

**Circuit Symbol and No.****Part No.****Circuit Symbol and No.****Part No.**

R 1913	RS1/16S0R0J	C 1257	CKSRYP104K25
R 1922	RS1/16SS0R0J		
R 1923	RS1/16SS221J	C 1258	CCSSCH470J50
R 1925	RS1/16S0R0J	C 1259	CCSSCH5R0C50
R 1927	RS1/16SS0R0J	C 1501	CSZSR470M10
		C 1502	CSZSR101M6R3
R 1928	RS1/16SS221J	C 1503	CSZSR101M6R3
R 1954	RS1/16SS221J		
R 1955	RS1/16SS221J	C 1504	CKSSYB104K10
R 1961	RS1/16S0R0J	C 1505	CKSSYB104K10
		C 1506	CKSSYB104K10
		C 1507	CKSSYB104K10
		C 1508	CKSSYB104K10

**CAPACITORS**

C 1001	CKSRYP105K10		
C 1002	CKSRYP104K25	C 1509	CKSSYB104K10
C 1003	CKSRYP104K25	C 1510	CKSSYB104K10
C 1004	CKSRYP104K25	C 1511	CKSSYB104K10
C 1005	CKSRYP105K10	C 1512	CKSSYB104K10
		C 1513	CKSSYB104K10
C 1006	CKSRYP104K25		
C 1007 22μF	CCG1178	C 1514	CKSSYB104K10
C 1008 22μF	CCG1178	C 1515	CKSSYB104K10
C 1009	CCSSCH220J50	C 1516	CKSSYB104K10
C 1010	CKSSYB102K16	C 1517	CKSSYB104K10
		C 1518	CKSSYB104K10
C 1012 22μF	CCG1178		
C 1013 22μF	CCG1178	C 1519	CKSSYB104K10
C 1016	CKSRYP104K25	C 1520	CKSSYB104K10
C 1051	CKSYB106K6R3	C 1521	CKSSYB104K10
C 1052	CKSSYB104K10	C 1522	CKSSYB104K10
		C 1523	CKSSYB104K10
C 1053	CKSSYB104K10		
C 1054	CKSSYB103K16	C 1524	CKSSYB104K10
C 1055	CKSSYB103K16	C 1525	CKSSYB104K10
C 1058	CKSSYB471K50	C 1526	CKSSYB104K10
C 1059	CKSSYB104K10	C 1527	CKSSYB104K10
		C 1528	CKSSYB104K10
C 1060	CKSRYP105K10		
C 1101	CSZSR220M16	C 1529	CKSSYB104K10
C 1102	CSZSR101M6R3	C 1530	CKSSYB104K10
C 1103	CKSSYB104K10	C 1531	CKSSYB471K50
C 1104	CKSSYB103K16	C 1532	CKSSYB103K16
		C 1533	CKSSYB103K16
C 1105	CSZSR101M6R3		
C 1106	CKSSYB104K10	C 1552	CKSSYB104K10
C 1107	CKSSYB103K16	C 1553	CKSRYP104K25
C 1108	CKSRYP104K25	C 1554	CKSSYB104K10
C 1109	CKSSYB473K10	C 1555	CKSRYP105K10
		C 1556	CSZSR470M10
C 1110	CKSSYB473K10		
C 1111	CKSSYB103K16	C 1557	CKSSYB104K10
C 1112	CKSRYP105K10	C 1558	CSZS4R7M16
C 1113	CKSRYP105K10	C 1559	CKSRYP105K10
C 1114	CKSSYB103K16	C 1561	CKSSYB102K50
		C 1570	CSZSR470M10
C 1115	CSZSR220M16		
C 1201	CEVW101M16	C 1571	CKSSYB104K10
C 1202	CKSRYP104K25	C 1572	CKSSYB104K10
C 1203	CSZSR220M16	C 1573	CKSSYB104K10
C 1204	CKSRYP104K25	C 1574	CKSSYB104K10
		C 1575	CKSSYB104K10
C 1205	CKSRYP104K25		
C 1206	CKSRYP104K25	C 1576	CKSSYB104K10
C 1207	CSZSR220M16	C 1577	CKSSYB104K10
C 1231	CKSRYP104K25	C 1578	CKSSYB104K10
C 1232	CKSSYB104K10	C 1579	CKSSYB104K10
		C 1580	CKSSYB104K10
C 1251	CKSRYP104K25		
C 1254	CKSRYP103K50	C 1581	CKSSYB104K10
C 1255	CKSRYP103K50	C 1582	CKSSYB104K10
C 1256	CEVW101M16	C 1583	CSZSR470M10
		C 1601	CSZSR470M10

<u>Circuit Symbol and No.</u>	<u>Part No.</u>
C 1603	CKSSYB104K10
C 1651	CSZSR470M10
C 1653	CKSSYB104K10
C 1654	CKSRYB104K25
C 1655	CKSSYB104K10
C 1671	CKSSYB104K10
C 1672	CKSSYB104K10
C 1673	CKSSYB104K10
C 1674	CKSSYB104K10
C 1675	CKSRYB104K25
C 1676	CKSYB106K6R3
C 1701	CKSRYB104K25
C 1702	CKSRYB104K25
C 1703	CKSSYB104K10
C 1704	CKSSYB103K16
C 1705	CKSSYB103K16
C 1706	CKSSYB104K10
C 1707	CKSSYB104K10
C 1708	CKSSYB103K16
C 1709	CCSRCH221J50
C 1710	CKSSYB152K50
C 1711	CKSRYB105K10
C 1712	CKSRYB105K10
C 1713	CKSRYB105K10
C 1715	CKSSYB104K10
C 1716	CKSSYB104K10
C 1717	CKSSYB104K10
C 1718	CKSSYB104K10
C 1719	CKSSYB562K25
C 1720	CCSSCH101J50
C 1721	CCSSCH470J50
C 1722	CKSSYB103K16
C 1723	CKSSYB104K10
C 1724	CKSSYB104K10
C 1725	CKSSYB104K10
C 1726	CCSSCH330J50
C 1727	CKSSYB333K16
C 1728	CKSSYB104K10
C 1733	CKSSYB103K16
C 1801	CKSSYB104K10
C 1802	CKSSYB104K10
C 1804	CKSSYB104K10
C 1805	CCSSCH100D50
C 1809	CCSSCJ3R0C50
C 1810	CCSSCK2R0C50
C 1811	CKSSYB104K10
C 1851	CKSSYB104K10
C 1852	CKSSYB104K10
C 1853	CKSYB106K6R3
C 1854	CKSYB106K6R3
C 1855	CKSRYB104K25
C 1856	CKSRYB104K25
C 1857	CCSRCH471J50
C 1858	CCSRCH471J50
C 1859	CCSRCH471J50
C 1860	CCSRCH471J50
C 1861	CKSQYB225K10
C 1862	CKSSYB471K50
C 1863	CKSSYB471K50
C 1864	CKSYB475K10

<u>Circuit Symbol and No.</u>	<u>Part No.</u>
-------------------------------	-----------------

C 1865	CKSYB475K10
C 1870	CKSSYB104K10
C 1903	CKSRYB102K50

**D****Unit Number:CWX3154****Unit Name:Compound Unit(A)**

Q 1299	Photo-taransistor	CPT231SCTD
S 1201	Spring Switch(12cm)	CSN1069
S 1202	Spring Switch(8cm)	CSN1069
S 1203	Spring Switch(DISC SENS)	CSN1069
S 1204	Spring Switch(DISC SENS)	CSN1070
S 1205	Spring Switch(8cm)	CSN1070
R 1298		RS1/16S0R0J
R 1299		RS1/16S0R0J

**E****Unit Number:CWX3156****Unit Name:Compound Unit(B)**

S 1206	Switch(CLAMP)	CSN1051
--------	---------------	---------

**J****Unit Number:CZW3087****Unit Name:Main Unit****MISCELLANEOUS**

IC 3801	IC	BA00AST
IC 3802	IC	BA6247FP
IC 3803	IC	TA78L05F
IC 3804	IC	TC7S14FU
IC 3805	Photo-interrupter	GP2L24B
Q 3801	Transistor	DTC124EU
Q 3802	Transistor	2SA1037K
Q 3803	Transistor	DTC124EU
Q 3804	Transistor	UMD2N
D 3801	Diode	UDZS5R6(B)
D 3802	Diode	1SS355
L 3801	Inductor	LCTA150J2520
L 3802	Inductor	LCTA150J2520

**RESISTORS**

R 3801	RS1/16S103J
R 3802	RS1/16S222J
R 3803	RS1/16S471J
R 3804	RS1/16S102J
R 3805	RS1/16S102J
R 3806	RS1/16S102J
R 3807	RS1/16S102J
R 3808	RS1/16S103J
R 3809	RS1/16S222J
R 3810	RS1/16S222J
R 3811	RS1/16S102J
R 3812	RS1/16S102J
R 3813	RS1/16S472J
R 3814	RS1/16S102J
R 3815	RS1/16S0R0J

**Circuit Symbol and No.****Part No.**

R 3816	RS1/16S0R0J
R 3817	RS1/16S0R0J
R 3818	RS1/16S473J
R 3819	RS1/16S0R0J
R 3821	RS1/16S473J
R 3822	RS1/16S512J
R 3823	RS1/16S0R0J

**CAPACITORS**

C 3801	CKSQYB105K16
C 3802	CKSQYB105K16
C 3803	CKSRYB104K16
C 3804	CKSRYB104K16
C 3805	CKSRYB104K16
C 3806	CKSRYB223K50
C 3807	CKSRYB223K50
C 3808	CEVW101M16
C 3809	CEVW101M16
C 3810	CKSRYB104K16
C 3811	CEVW100M16
C 3812	CKSRYB104K16
C 3813	CKSRYB102K50
C 3815	CKSQYB104K50
C 3819	CEVW101M16

**K****Unit Number:CZW3088****Unit Name:SW Unit**

S 3831	Spring Switch(ANGLE)	CSN1052
S 3832	Spring Switch(LIFT)	CSN1052

**L****Unit Number:CZW3089****Unit Name:Volume Unit**

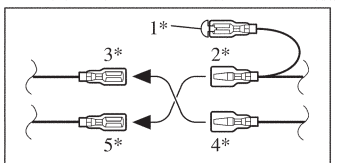
VR3841	Volume (ANGLE SENSE)	CCW1025
--------	----------------------	---------

**Miscellaneous Parts List**

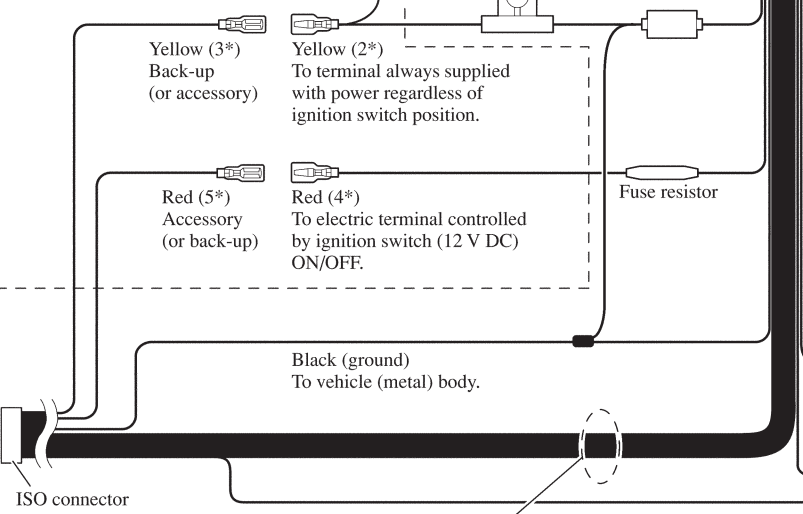
	Pickup Unit(Service)	CXX1770
M 1	Motor Unit(LOADING)	CXC4659
M 2	Motor Unit(CARRIAGE)	CXC4134
M 3	Motor(SPINDELE)	CXM1272
M 771	Fan Motor(REAR)	CXM1262
M 781	Fan Motor(CENTER)	CXM1276
M 3001	Motor Unit(POSITION)	CXB9515
M 3002	Motor Unit(ANGLE)	CXB9516

## Connecting the power cord

**Note:**  
Depending on the kind of vehicle, the function of 3\* and 5\* may be different. In this case, be sure to connect 2\* to 5\* and 4\* to 3\*.



Cap (1\*)  
When not using this terminal, do not remove the cap.



**Note:**  
In some vehicles, the ISO connector may be divided into two. In this case, be sure to connect to both connectors.

When you connect separately sold multi-channel processor (DEQ-P6600) to this unit, do not connect anything to the speaker leads and system remote control (blue/white).

- Speaker leads
- White: Front left ⊕
  - White/black: Front left ⊖
  - Gray: Front right ⊕
  - Gray/black: Front right ⊖
  - Green: Rear left ⊕ or Subwoofer ⊕
  - Green/black: Rear left ⊖ or Subwoofer ⊖
  - Violet: Rear right ⊕ or Subwoofer ⊕
  - Violet/black: Rear right ⊖ or Subwoofer ⊖

Yellow/black  
If you use a cellular telephone, connect it via the Audio Mute lead on the cellular telephone. If not, keep the Audio Mute lead free of any connections.

Violet/white  
Of the two lead wires connected to the back lamp, connect the one in which the voltage changes when the gear shift is in the REVERSE (R) position.

**Connection method**

1. Clamp the lead.
2. Clamp firmly with needle-nosed pliers.

**Note:**

- The position of the parking brake switch depends on the vehicle model. For details, consult the vehicle Owner's Manual or dealer.

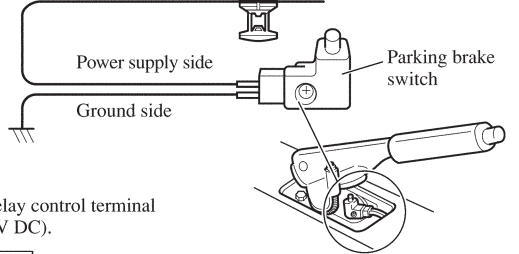
Light green  
Used to detect the ON/OFF status of the parking brake. This lead must be connected to the power supply side of the parking brake switch.

Blue/white  
To system control terminal of the power amp (max. 300 mA 12 V DC).

Blue/white (6\*)

Blue/white (7\*)  
To Auto-antenna relay control terminal (max. 300 mA 12 V DC).

The pin position of the ISO connector will differ depending on the type of vehicle. Connect 6\* and 7\* when Pin 5 is an antenna control type. In another type of vehicle, never connect 6\* and 7\*.



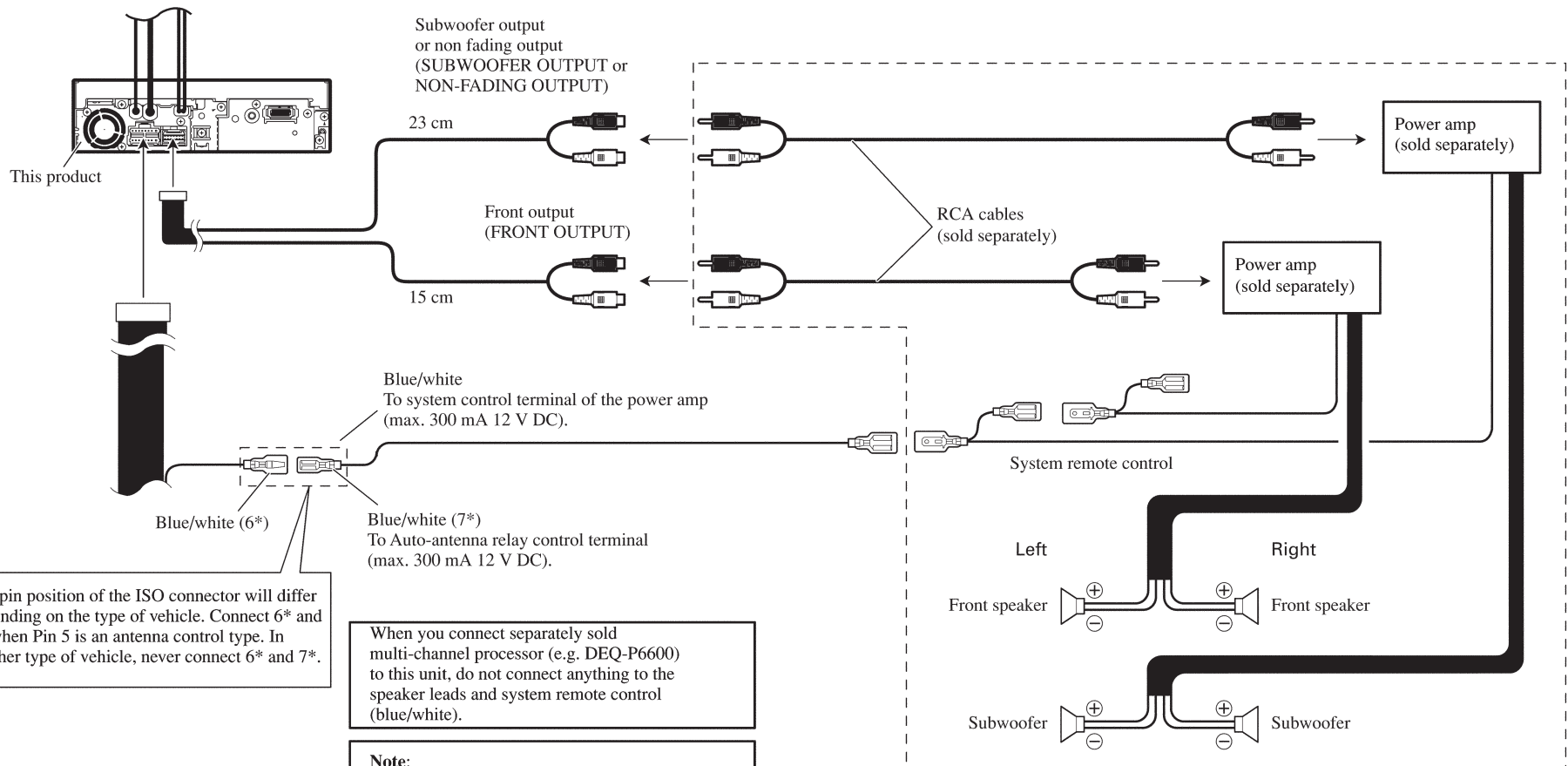
5

6

7

8

# When connecting to separately sold power amp



The pin position of the ISO connector will differ depending on the type of vehicle. Connect 6\* and 7\* when Pin 5 is an antenna control type. In another type of vehicle, never connect 6\* and 7\*.

When you connect separately sold multi-channel processor (e.g. DEQ-P6600) to this unit, do not connect anything to the speaker leads and system remote control (blue/white).

**Note:**  
When you connect multi-channel processor to this unit, separately sold power amp must be connected to multi-channel processor.

**Note:**  
Change the initial setting of this product (refer to the Operation Manual).  
The subwoofer output of this unit is monaural.

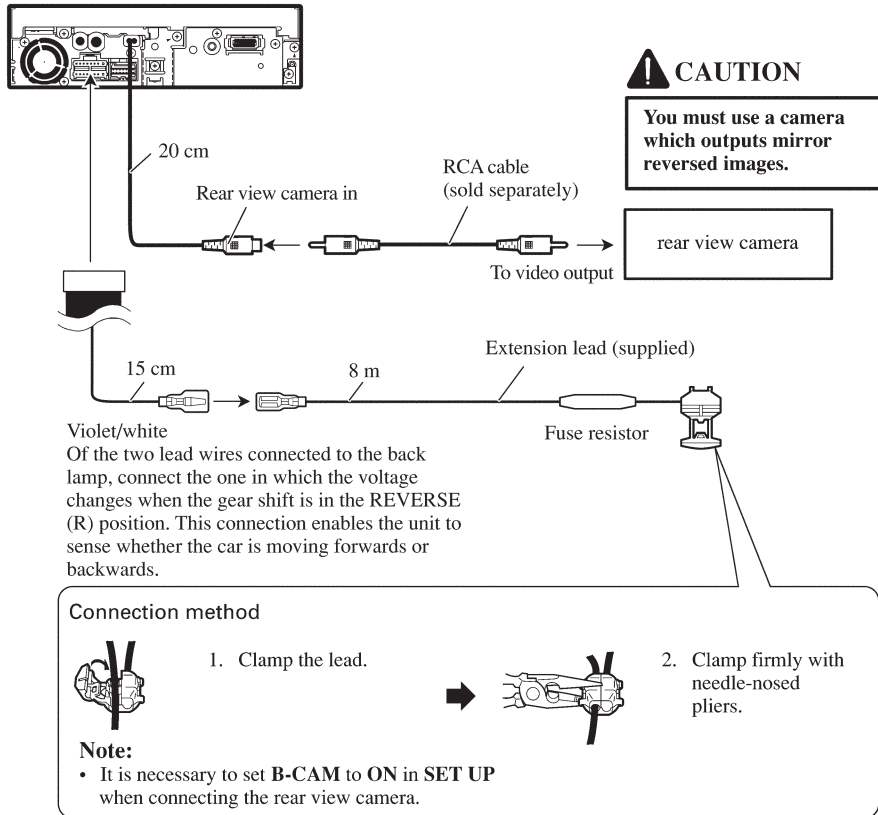
Perform these connections when using the optional amplifier.

## When connecting with a rear view camera

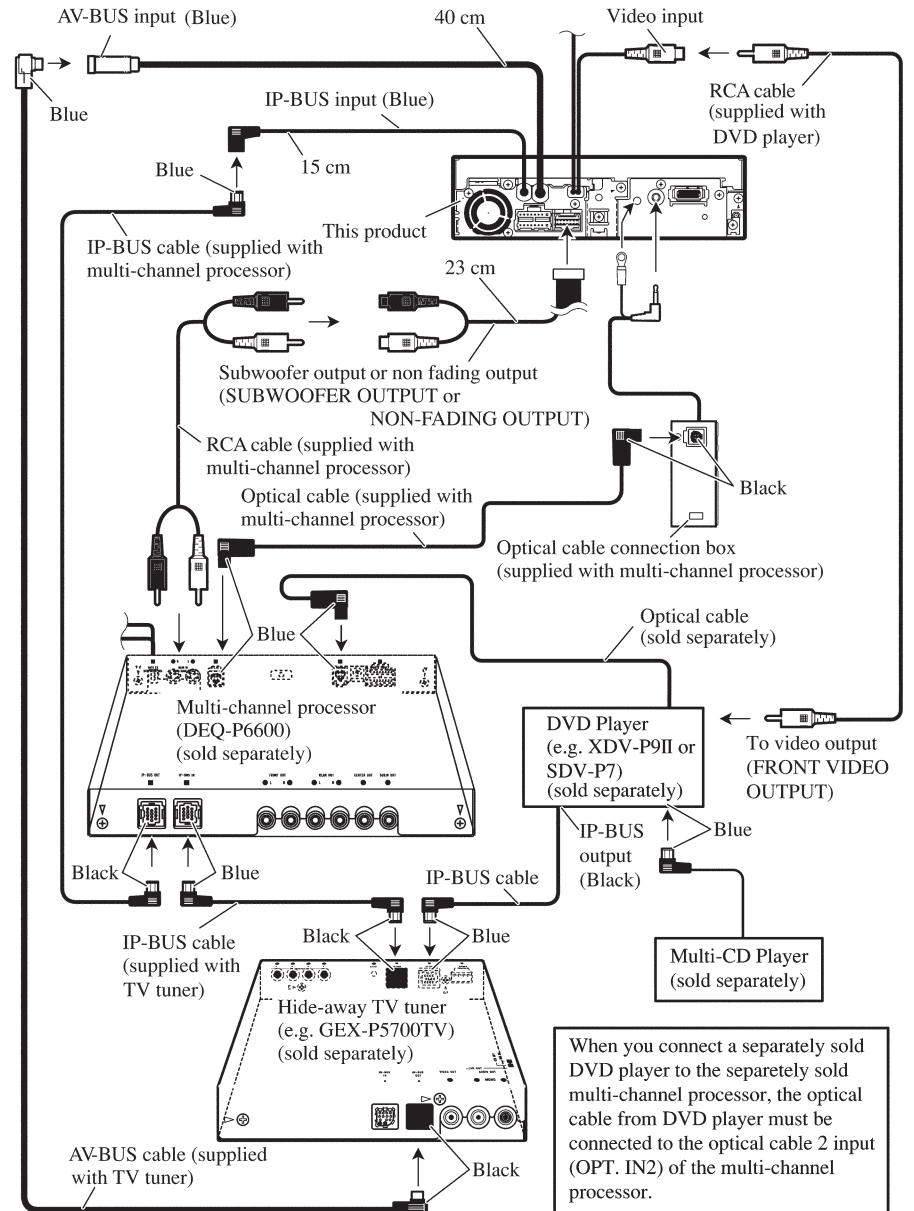
When using this product with a rear view camera, automatic switching to video from a rear view camera when the gear shift is moved to **REVERSE (R)** position is possible. When connecting to a navigation unit, rear view mode also allows you to check what is behind you while driving. For details, refer to the Operation Manual.

**⚠ WARNING**  
USE INPUT ONLY FOR REVERSE OR MIRROR IMAGE REAR VIEW CAMERA. OTHER USE MAY RESULT IN INJURY OR DAMAGE.

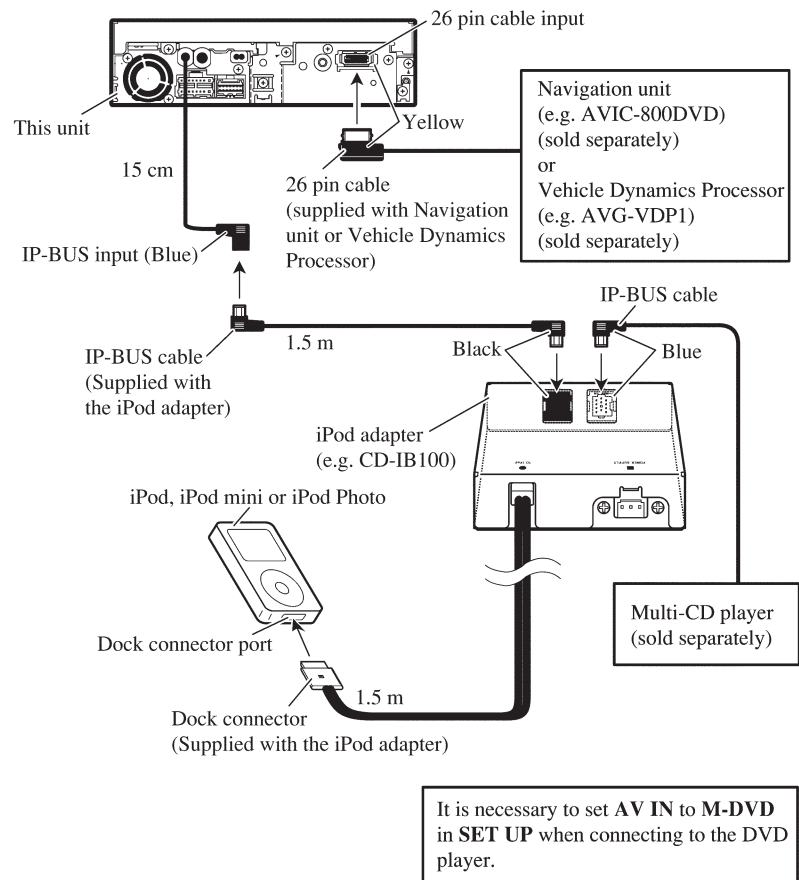
- ⚠ CAUTION**
- The screen image may appear reversed.
  - The rear view camera function is to use this product as an aid to keep an eye on trailers, or backing into a tight parking spot. Do not use this function for entertainment purposes.
  - The object in rear view may appear closer or more distant than in reality.



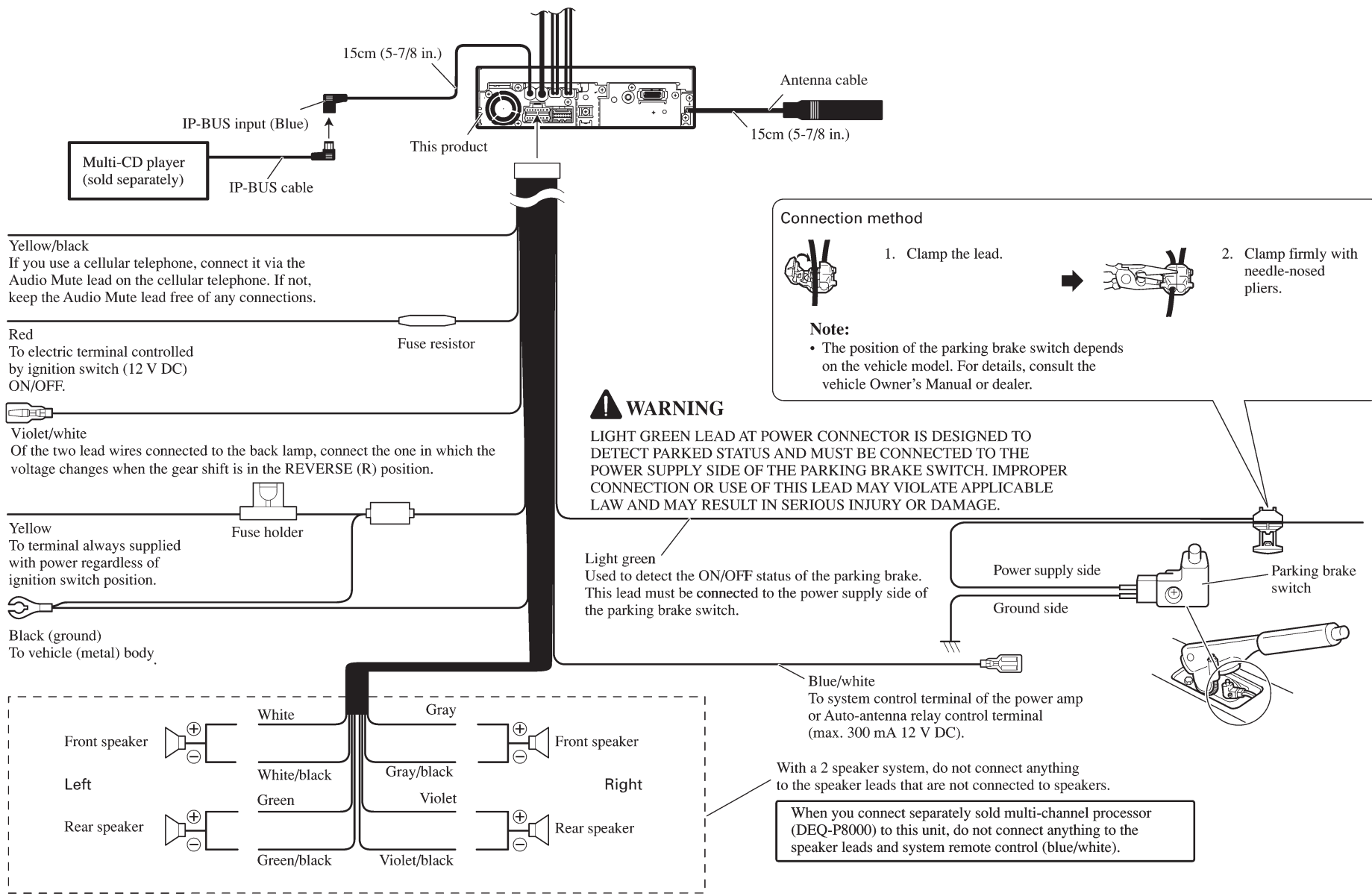
## When connecting with a multi-channel processor



## When connecting with navigation unit and iPod adapter

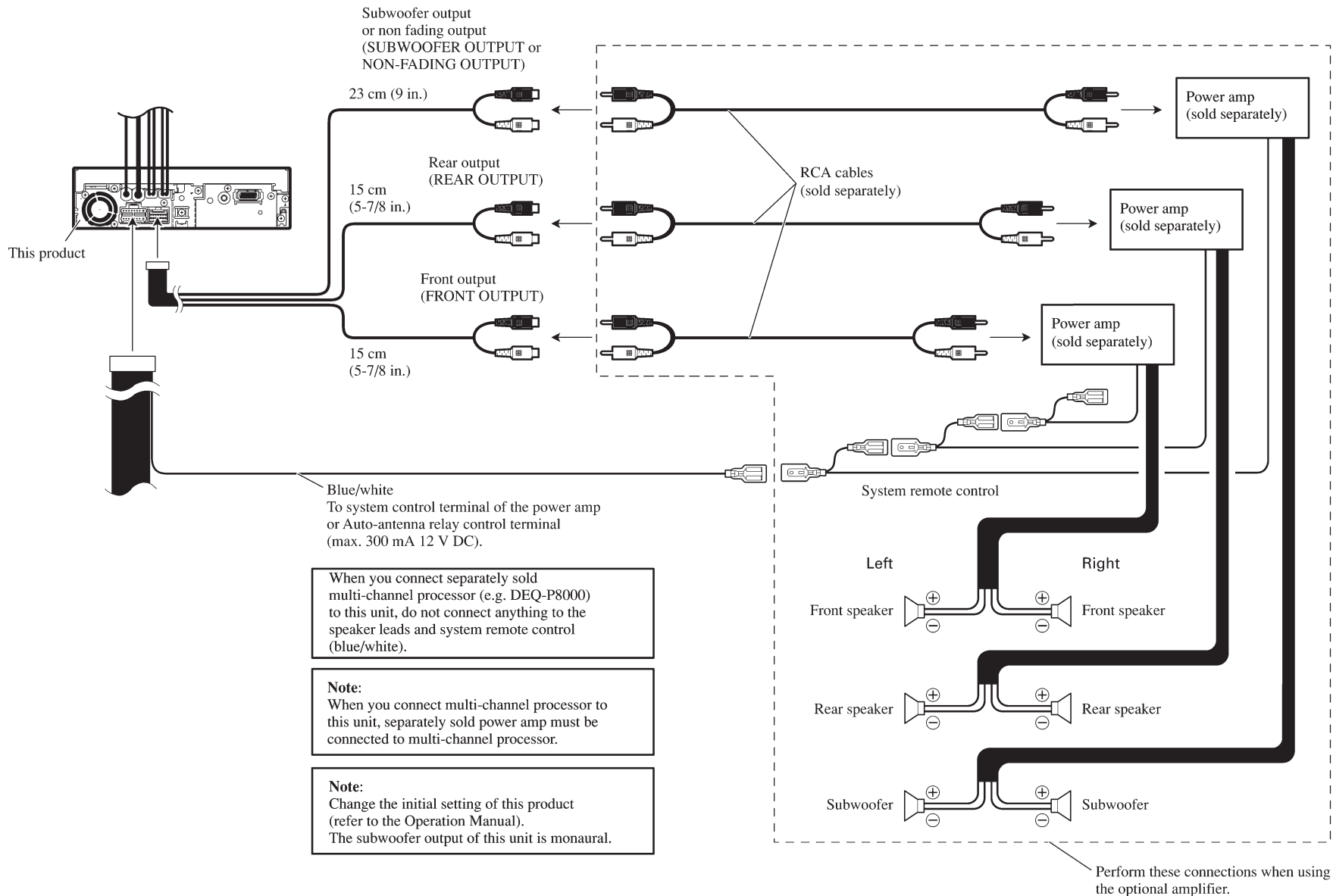


### Connecting the power cord



AVH-P5700DV/D/EW

# When connecting to separately sold power amp



When you connect separately sold multi-channel processor (e.g. DEQ-P8000) to this unit, do not connect anything to the speaker leads and system remote control (blue/white).

**Note:**  
When you connect multi-channel processor to this unit, separately sold power amp must be connected to multi-channel processor.

**Note:**  
Change the initial setting of this product (refer to the Operation Manual).  
The subwoofer output of this unit is monaural.