

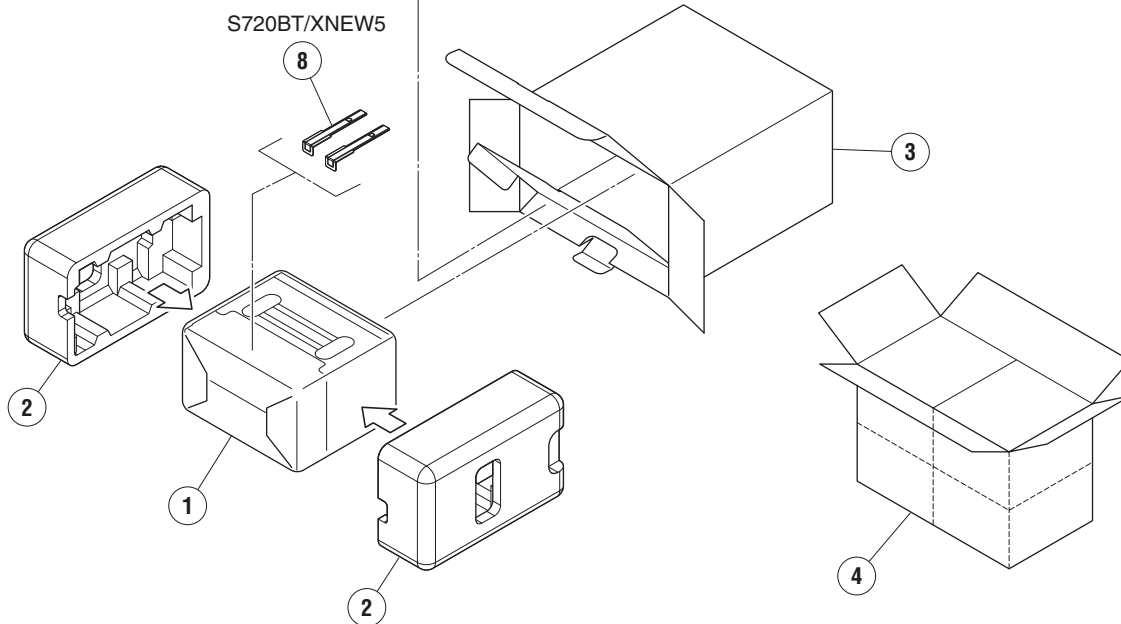
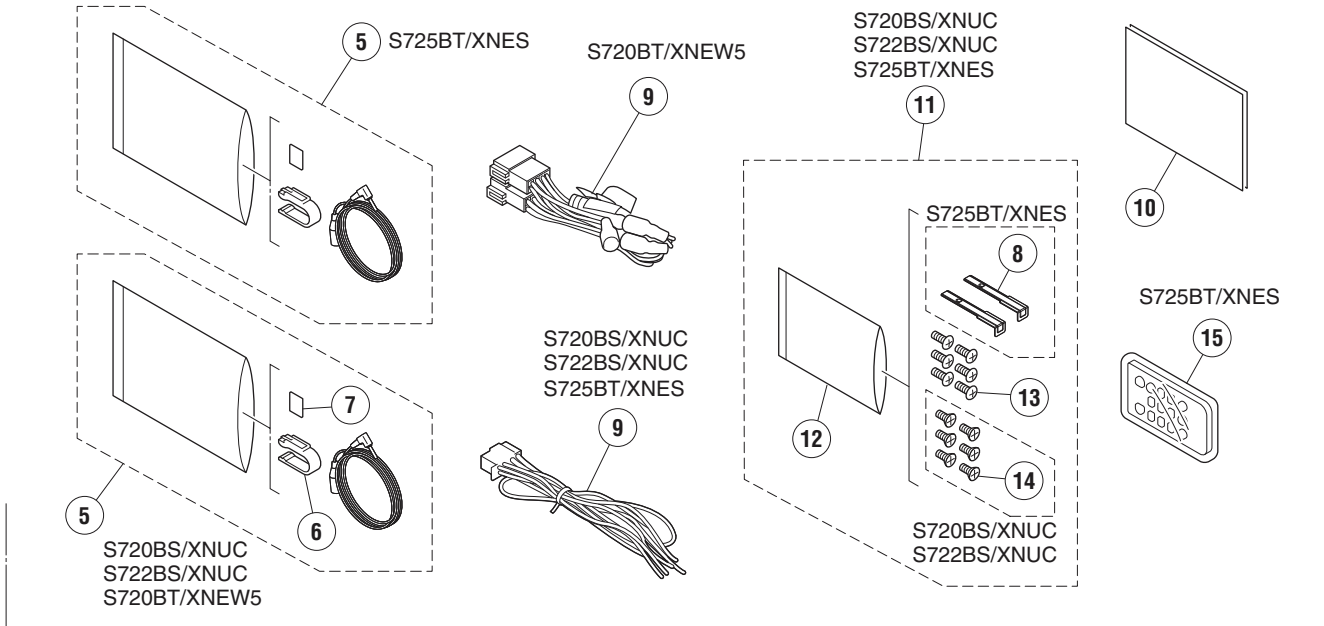


# 9. EXPLODED VIEWS AND PARTS LIST

NOTES : • Parts marked by " \* " are generally unavailable because they are not in our Master Spare Parts List.

- The  mark found on some component parts indicates the importance of the safety factor of the part. Therefore, when replacing, be sure to use parts of identical designation.
- Screw adjacent to  mark on the product are used for disassembly.
- For the applying amount of lubricants or glue, follow the instructions in this manual. (In the case of no amount instructions, apply as you think it appropriate.)

## 9.1 PACKING SECTION



**(1) PACKING SECTION PARTS LIST**

Mark	No.	Symbol and Description	FH-S720BS/XNUC	FH-S722BS/XNUC	FH-S720BT/XNEW5	FH-S725BT/XNES
	1	Cover	CEG1359	CEG1359	CEG1356	CEG1356
	2	Protector	QHP3044	QHP3044	QHP3045	QHP3045
	3	Unit Box	QHG4668	QHG4669	QHG4667	QHG4670
	4	Contain Box	QHL4668	QHL4669	QHL4667	QHL4670
	5	Microphone Assy	CPM1109	CPM1109	CPM1109	CPM1113
	6	Holder	CZN7192	CZN7192	CZN7192	Not used
	7	Cushion	CZN7193	CZN7193	CZN7193	Not used
	8	Handle	Not used	Not used	CND6289	CND6289
	9	Cord Assy	CDP1484	CDP1484	QDP3072	CDP1484
	10-1	Quick Start Guide	QRD3736	QRD3736	QRD3734	QRD3742
	10-2	Quick Start Guide	Not used	Not used	QRD3735	Not used
	10-3	Owner's Manual	Not used	Not used	QRB3913	Not used
*	10-4	Web IM	See Contents of Web IM (2)	See Contents of Web IM (2)	See Contents of Web IM (2)	See Contents of Web IM (2)
*	10-5	Warranty Card	QRY3001	QRY3001	CRY1376	Not used
*	11	Accessory Assy	QEA3335	QEA3335	Not used	CED2428(Screw Assy)
*	12	Polyethylene Bag	CEG1160	CEG1160	Not used	CEG1160
	13	Screw	CBA2384	CBA2384	Not used	CBA2384
	14	Screw	CBA2383	CBA2383	Not used	Not used
	15	Card Remote Control Unit	Not used	Not used	Not used	CXE9605

**Quick Start Guide, Owner's Manual**

Part No.	Language
QRD3736	English, French, Spanish(Espanol)
QRD3734	English, French, Italian
QRD3735	Spanish(Espanol), German, Dutch
QRD3742	English, Traditional Chinese, Arabic, Persian, Portuguese(B), Spanish(Espanol)
QRB3913	Russian

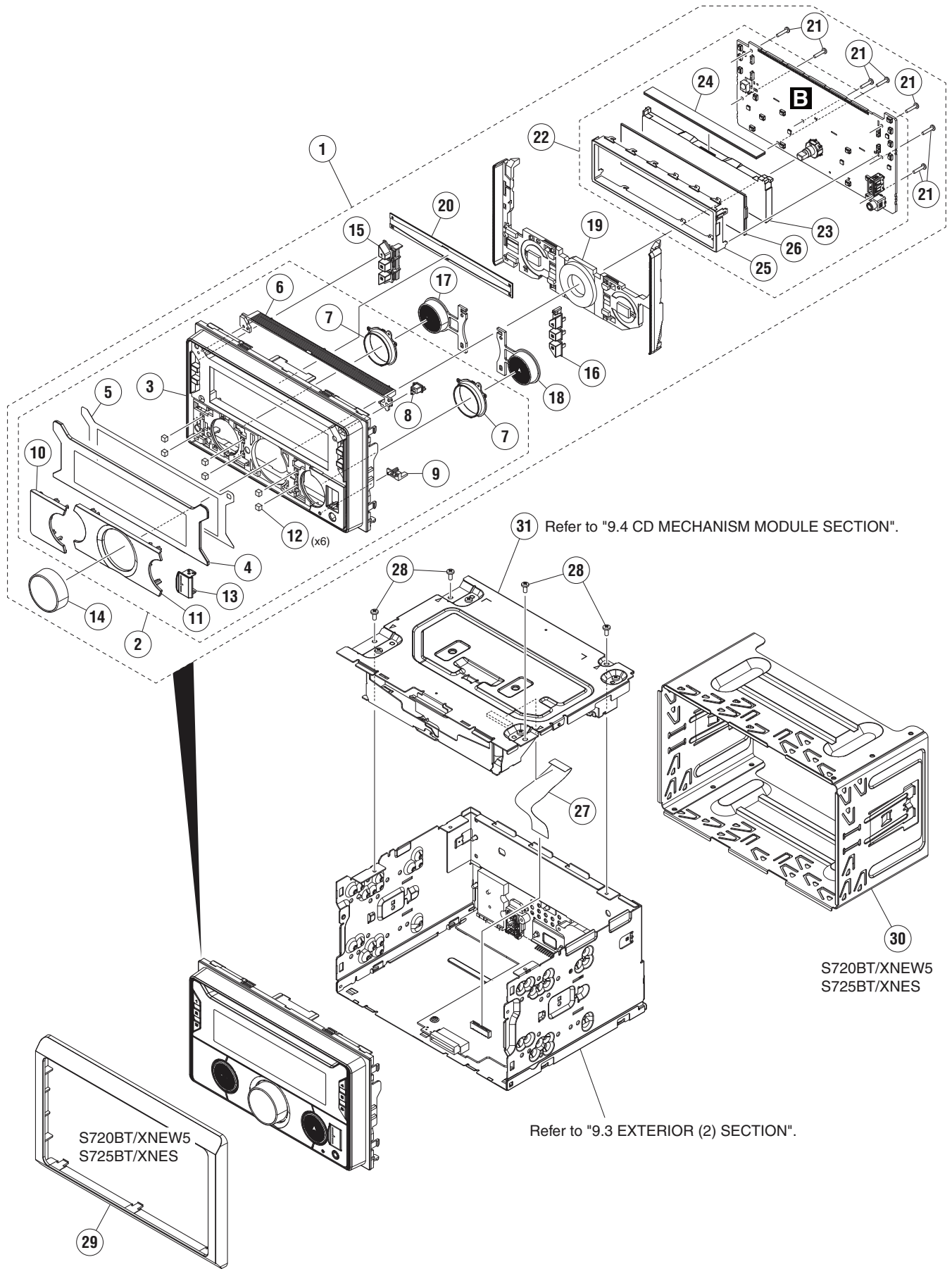
**(2) CONTENTS OF WEB IM**

Part No.	Language
*OPM_FHS720BSUC_3L_A(for XNUC)	English, French, Spanish(Espanol)
*OPM_FHS720BTEW5_6L_A(for XNEW5)	English, French, Italian, Spanish(Espanol), German, Dutch
*OPM_FHS725BTES_6L_A(for XNES)	English, Traditional Chinese, Arabic, Persian, Portuguese(B), Spanish(Espanol)

All operation manuals are supplied in PDF files by the WEB. No printed papers are available.

# 9.2 EXTERIOR (1) SECTION

A  
B  
C  
D  
E  
F



**(1) EXTERIOR (1) SECTION PARTS LIST**

<u>Mark No.</u>	<u>Description</u>	<u>Part No.</u>	<u>Mark No.</u>	<u>Description</u>	<u>Part No.</u>	
1	Grille Assy	See Contrast table (2)	18	Button(NAVI)	QAC3335	
2	Grille Unit	See Contrast table (2)	19	Lighting Conductor	QNV3164	
*	3	Grille	QNS4443	20	Cover	QNM3151
*	4	Plate	QNS4447			
*	5	DS Tape	QNM3275	21	Screw	BPZ20P100FTC
			22	Keyboard Unit	See Contrast table (2)	
*	6	Lighting Conductor	QNV3165	23	Lighting Conductor	QNV3123
*	7	Holder	QNV3163	24	Rubber Connector	QNV3125
*	8	Button(EJECT)	QAC3329	25	Holder	QNC3121
*	9	Button(RESET)	QAC3336			
*	10	Button(SRC/DISP)	See Contrast table (2)	26	Segment LCD (V1801)	CAW2068
			27	Cable	QDE3029	
	11	Button(TRACK,BACK,PHONE)	QAC3331	28	Screw	BSZ26P060FTC
*	12	Cushion	QNM3277	29	Panel	See Contrast table (2)
	13	Door	QAT3039	30	Holder	See Contrast table (2)
	14	Knob Unit	QXA6129			
	15	Button(1-3)	QAC3332	31	CD Mechanism Module (11.6STD-FH2)	CXK5861
				31	CD Mechanism Module(S11.6STD-FH)	CXK5806
	16	Button(4-6)	QAC3333			
	17	Button(BASS)	QAC3334			

**Notes: For No.31, please refer to "1.4 NOTES ON REPLACING PARTS" for part distinguish.**

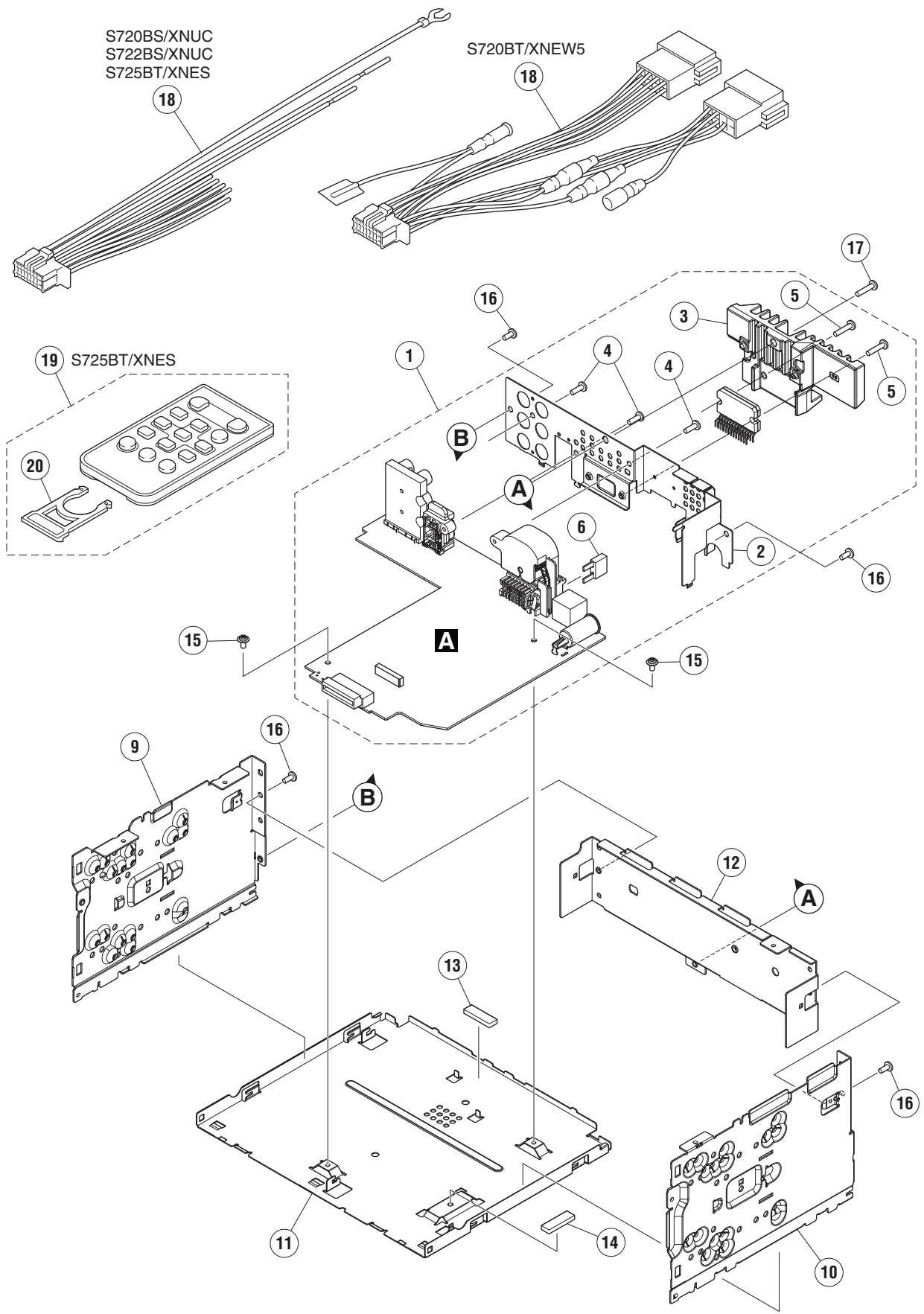
**(2) CONTRAST TABLE**

FH-S720BS/XNUC, FH-S722BS/XNUC, FH-S720BT/XNEW5 and FH-S725BT/XNES are constructed the same except for the following:

<u>Mark</u>	<u>No.</u>	<u>Symbol and Description</u>	<u>FH-S720BS/XNUC</u>	<u>FH-S722BS/XNUC</u>	<u>FH-S720BT/XNEW5</u>	<u>FH-S725BT/XNES</u>
	1	Grille Assy	QXA6351	QXA6352	QXA6350	QXA6353
	2	Grille Unit	QXA6111	QXA6112	QXA6110	QXA6113
*	10	Button(SRC/DISP)	QAC3330	QAC3330	QAC3330	QAC3339
	22	Keyboard Unit	QWM5372	QWM5372	QWM5373	QWM5372
	29	Panel	Not used	Not used	QNS4449	QNS4449
	30	Holder	Not used	Not used	CND7102	CND7102

# 9.3 EXTERIOR (2) SECTION

A  
B  
C  
D  
E  
F



**(1) EXTERIOR (2) SECTION PARTS LIST**

<u>Mark No.</u>	<u>Description</u>	<u>Part No.</u>	<u>Mark No.</u>	<u>Description</u>	<u>Part No.</u>
1	Tuner Amp Unit	See Contrast table (2)	11	Case	QNB3055
2	Holder	See Contrast table (2)	12	Holder	QNC3057
3	Heat Sink	See Contrast table (2)	13	Heat Conductor Sheet	QNM3130
4	Screw	BPZ26P080FTC	14	Heat Conductor Sheet	QNM3223
5	Screw	BSZ26P120FTC	15	Screw	ASZ26P050FTC
⚠ 6	Fuse (10 A)	CEK1415	16	Screw	BSZ26P060FTC
7	•••••		17	Screw	BSZ26P120FTC
8	•••••		18	Cord Assy	See Contrast table (2)
9	Bracket	QNC3093	19	Card Remote Control Unit	See Contrast table (2)
10	Bracket	QNC3094	20	Cover	See Contrast table (2)

**(2) CONTRAST TABLE**

FH-S720BS/XNUC, FH-S722BS/XNUC, FH-S720BT/XNEW5 and FH-S725BT/XNES are constructed the same except for the following:

<u>Mark</u>	<u>No.</u>	<u>Symbol and Description</u>	<u>FH-S720BS/XNUC</u>	<u>FH-S722BS/XNUC</u>	<u>FH-S720BT/XNEW5</u>	<u>FH-S725BT/XNES</u>
	1	Tuner Amp Unit	QWM5322	QWM5323	QWM5321	QWM5324
	2	Holder	QNC3112	QNC3112	QNC3113	QNC3113
	3	Heat Sink	QNR3010	QNR3010	QNR3010	QNR3002
	18	Cord Assy	CDP1484	CDP1484	QDP3072	CDP1484
	19	Card Remote Control Unit	Not used	Not used	Not used	CXE9605
	20	Cover	Not used	Not used	Not used	CNU3681

# 9.4 CD MECHANISM MODULE

A

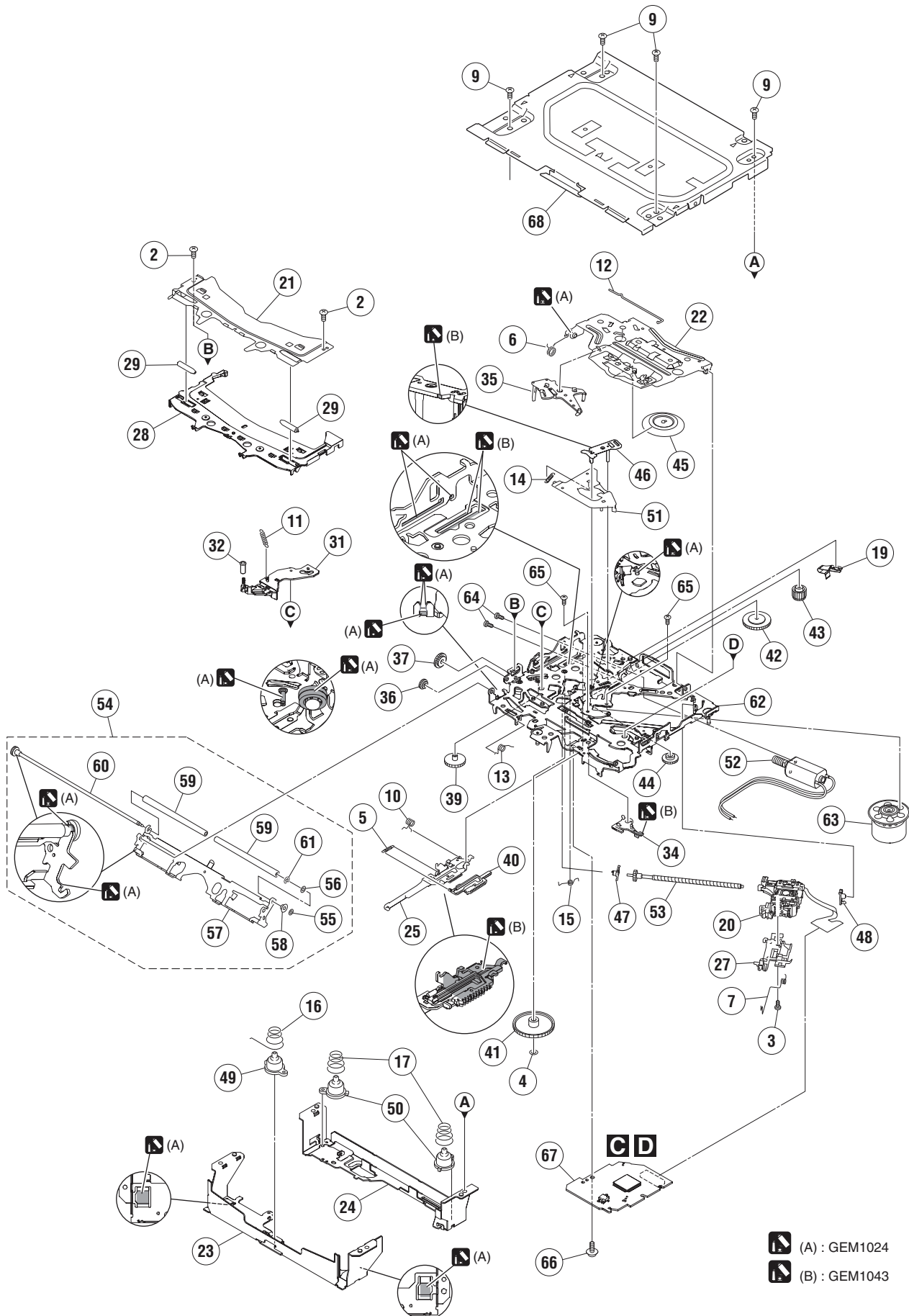
B

C

D

E

F



- (A) : GEM1024
- (B) : GEM1043

## CD MECHANISM MODULE SECTION PARTS LIST

<u>Mark No.</u>	<u>Description</u>	<u>Part No.</u>	<u>Mark No.</u>	<u>Description</u>	<u>Part No.</u>	
1	•••••		46	Arm	CNW1192	
2	Screw	BSZ20P040FTC	47	Holder	CNW1193	A
3	Screw (M2 x 4)	CBA1835	48	Holder	CNW1194	
4	Washer	CBF1038	49	Damper	CNW1197	
5	Spring	CBH3010	50	Damper	CNW1198	
6	Spring	CBH2855	51	Arm	CNW1726	
7	Spring	CBH2856	52	Motor Unit(M2)(LOAD/CRG)	CXF1847	
8	•••••		53	Screw Unit	CXC8894	
9	Screw	BSZ26P060FTC	54	Arm Assy	CXE8953	
10	Spring	CBH3011	55	Washer	CBF1037	
11	Coil Spring	CBH3095	56	Washer	CBF1038	B
12	Spring	CBH3014	57	Arm	CND6242	
13	Spring	CBH3015	58	Collar	CNW2444	
14	Spring	CBH3016	59	Roller	CNW2500	
15	Spring	CBH3017	60	Gear Unit	CXE8952	
16	Spring	CBH3086	61	E Ring	YE15FTC	
17	Spring	CBH3019	62	Chassis Unit	CXE9531	
18	•••••		63	Motor Unit(M1)(SPDL)	CXF1850	
19	Leaf Spring	CBL1824	64	Screw	JFZ20P025FTC	
20	Pickup Unit(P11)(Service) for CXK5861 CXX4754 Pickup Unit(P10.6)(Service) for CXK5806 CXY3639		65	Screw	JGZ17P022FTC	C
21	Bracket	CND4553	66	Screw	EBA1028	
22	Arm	CND7608	67	CD Core Unit(S11.6VA) for CXK5861 CWX4269 CD Core Unit(S11.6STD) for CXK5806 CWX4023		
23	Bracket	CND6127	68	Case	CNB3762	
24	Bracket	CND5710				
25	Lever	CND6834				
26	•••••					
27	Rack	CNV8342				
28	Guide	CNW3489				D
29	Roller	CNW1172				
30	•••••					
31	Arm	CNW2241				
32	Roller	CNW1175				
33	•••••					
34	Arm	CNW1177				
35	Arm	CNW1178				
36	Gear	CNW1180				
37	Gear	CNW1181				E
38	•••••					
39	Gear	CNW1183				
40	Rack	CNW1184				
41	Gear	CNW1185				
42	Gear	CNW1186				
43	Gear	CNW1187				
44	Gear	CNW2287				
45	Clamper	CNW1190				F

# 12. ELECTRICAL PARTS LIST

## NOTE:

- Parts whose parts numbers are omitted are subject to being not supplied.
- The part numbers shown below indicate chip components.

### Chip Resistor

RS1/○S○○○○J,RS1/○○S○○○○J

### Chip Capacitor (except for CQS.....)

CKS....., CCS....., CSZS.....

- Parts marked by " \* " are generally unavailable because they are not in our Master Spare Parts List.
- The ⚠ mark found on some component parts indicates the importance of the safety factor of the part. Therefore, when replacing, be sure to use parts of identical designation.
- The expression of the unit in this manual is shown by u instead of  $\mu$ . Please do not make a mistake.

<u>Circuit Symbol and No.</u>	<u>Part No.</u>	<u>Circuit Symbol and No.</u>	<u>Part No.</u>
<b>A:FH-S720BS/XNUC</b>		IC 742	Flash Memory IC W25Q16JVSSIQ
<b>B:FH-S722BS/XNUC</b>		IC 761	E-VOL System LSI(A) BD37067FV
<b>C:FH-S720BT/XNEW5</b>		IC 761	E-VOL System LSI(B) BD37068FV
<b>D:FH-S725BT/XNES</b>		IC 851	Tuner IC TEF6686AHN
		IC 1301	Power Amp IC TCB501HQ
<b>Unit Number: QWM5322(A)</b>		Q 111	Resistor Built-in Transistor LTC014TEB
<b>Unit Number: QWM5323(B)</b>		Q 121	Resistor Built-in Transistor LTC014EEB
<b>Unit Name : Tuner Amp Unit</b>		Q 141	Resistor Built-in Transistor LTC014TEB
<b>Unit Number: QWM5321(C)</b>		Q 142	Resistor Built-in Transistor LTC014TEB
<b>Unit Number: QWM5324(D)</b>		Q 201	Resistor Built-in Transistor LTC014TEB
<b>Unit Name : Tuner Amp Unit</b>		Q 202	FET SSM3J332R
<b>Unit Number: QWM5372(A,B,D)</b>		Q 203	Power MOS FET RRR040P03
<b>Unit Number: QWM5373(C)</b>		Q 204	Resistor Built-in Transistor LTC014TEB
<b>Unit Name : Keyboard Unit</b>		Q 205	FET SSM3J332R
<b>Unit Number: CWX4269</b>		Q 441	Transistor 2SAR502UB
<b>Unit Name : CD Core Unit(S11.6VA)</b>		Q 442	Resistor Built-in Transistor LTC023YEB
<b>Unit Number: CWX4023</b>		Q 701	Resistor Built-in Transistor LTA023YEB
<b>Unit Name : CD Core Unit(S11.6STD)</b>		Q 1101	Resistor Built-in Transistor LTC014EEB
		Q 1241	Transistor IMH23
		Q 1242	Transistor IMH23
		Q 1243	Transistor IMH23
		Q 1301	Transistor EMD52
		Q 1302	Resistor Built-in Transistor LTA023YEB
		D 101	Diode D1F60-5053
		D 102	Diode D1F60-5053
		D 111	Zener Diode UDZV6R8(B)
		D 121	Switching Diode 1SS355VM
		D 141	Zener Diode UDZV7R5(B)
		D 201	Schottky Diode RB162MM-40TF
		D 202	Rectifier Diode RR1VWM4STF
		D 203	Schottky Diode RB056LAM-40TF
		D 204	Rectifier Diode RR1VWM4STF
		D 206	Schottky Diode CMS30I30A
		D 207	Schottky Diode RB751SM-40
		D 208	Schottky Diode RB751SM-40
		D 210	Schottky Diode RB162MM-40TF
		D 461	Schottky Diode(B) RB551VM-30
		D 501	Schottky Diode RB751SM-40
		D 502	Schottky Diode RB751SM-40
		D 508	Zener Diode UDZV5R1(B)
		D 1001	Zener Diode SZESD7351HG
		D 1101	Zener Diode UDZV18(B)
		D 1201	Zener Diode RSB6R8SM
<b>Notes:</b>			
For CD Core Unit, please refer to "1.4 NOTES ON REPLACING PARTS" for part distinguish.			
<b>A</b>			
<b>Unit Number: QWM5322(A)</b>			
<b>Unit Number: QWM5323(B)</b>			
<b>Unit Name : Tuner Amp Unit</b>			
<b>MISCELLANEOUS</b>			
IC 201	Power supply IC	BD49101ARFS	
IC 461	DC/DC Converter IC(B)	NJW4132U2-A	
IC 501	Microprocessor IC	STA1080	
IC 502	IC	S-80827CNMC-B8M	
IC 503	Logic IC	TC7SET08FUS3	
IC 504	Logic IC	TC7SH126FUS1	
IC 701	IC	337S3959	
IC 711	RAM IC	W9812G6KH-5	
IC 731	ROM IC	M95512-RMN6P	
IC 741	Flash ROM Unit	QVQ1109	

	<u>Circuit Symbol and No.</u>	<u>Part No.</u>	<u>Circuit Symbol and No.</u>	<u>Part No.</u>
	D 1204 Zener Diode	UDZV6R2(B)	R 112	XRS1/16SS473J
	D 1205 Zener Diode	UDZV6R2(B)	R 113	XRS1/16SS822J
			R 114	RS1/4SA102J
A	D 1206 Zener Diode	RSB6R8SM	R 121	XRS1/16SS103J
	D 1207 Zener Diode	RSB6R8SM		
	D 1208 Zener Diode	RSB6R8SM	R 123	RS1/4SA102J
	D 1209 Zener Diode	RSB6R8SM	R 141	XRS1/16SS104J
	D 1210 Zener Diode	RSB6R8SM	R 142	XRS1/16SS473J
			R 143	XRS1/16SS103J
			R 144	XRS1/16SS472J
	D 1303 Schottky Diode	RB751SM-40		
	L 101 Choke Coil 120 uH	CTH1620		
	L 201 SMD SPL Inductor	CTH1521	R 145	XRS1/16SS0R0J
	L 202 SMD SPL Inductor	CTH1584	R 165	XRS1/10SR0R0J
	L 203 Chip Beads	VTL1133	R 201	XRS1/16SS102J
			R 202	XRS1/16SS3303D
B	L 441 Inductor	CTF1736	R 203	XRS1/10SR0R0J
	L 461 SMD SPL Inductor(B)	CTH1674		
	L 501 Chip Beads	VTL1133	R 204	XRS1/10SR0R0J
	L 502 Inductor	CTF1645	R 206	XRS1/16SS472J
	L 504 Chip Beads	VTL1133	R 207	XRS1/16SS103J
			R 208	XRS1/16SS473J
			R 209	XRS1/10SR472J
	L 505 Chip Beads	VTL1133		
	L 511 Chip Beads	VTL1133		
	L 513 Chip Beads	VTL1133	R 210	XRS1/16SS103J
	L 514 Chip Beads	VTL1126	R 211	XRS1/10SR472J
	L 517 Chip Beads	VTL1133	R 212	XRS1/16SS103J
			R 213	XRS1/16SS132J
			R 214	XRS1/16SS102J
C	L 518 Chip Beads	VTL1133		
	L 519 Chip Beads	VTL1133		
	L 520 Chip Beads	VTL1133	R 215	XRS1/16SS2403D
	L 711 Chip Beads	VTL1133	R 216	XRS1/16SS7502D
	L 854 Inductor	LCMAR27J1608	R 217	XRS1/16SS4303D
			R 218	XRS1/16SS4303D
			R 219	XRS1/16SS273J
	L 855 Inductor	CTF1786		
	L 856 Inductor	CTF1787		
	L 860 Inductor	LCYC150K1608	R 220	XRS1/16SS474J
	L 863 Inductor	LCMAR22J1608	R 221	XRS1/16SS473J
	L 1001 Chip Ferrite Bead	DTL1107	R 222	XRS1/16SS6802D
			R 223	CCN1401
			R 224	XRS1/16SS6802D
	L 1101 Inductor	CTF1787		
	L 1102 Chip Beads	VTL1133		
D	L 1103 Chip Beads	VTL1133	R 225	XRS1/16SS102J
	L 1104 Chip Beads	VTL1133	R 226	XRS1/16SS1203D
	L 1201 Noise Filter	CTF1901	R 227	XRS1/16SS1802D
			R 229	RS1/16SS393J
			R 230	XRS1/16SS682J
	L 1231 Chip Beads	VTL1133		
	L 1232 Chip Beads	VTL1133		
	X 501 Resonator 24 MHz	CSS1773	R 231	XRS1/16SS4703D
	X 502 Resonator 32.768 kHz	CSS1807	R 232	XRS1/16SS1503D
	X 851 Crystal Resonator 55.466 67 MHz	CSS1898	R 233	XRS1/16SS1003D
			R 234	XRS1/16SS7503D
			R 235	XRS1/16SS1603D
	P 852 Surge Absorber	IMSA-6803-01Y900		
	P 1231 Poly Switch	FSMD110-24R		
	P 1243 Poly Switch	FSMD075-24R	R 236	XRS1/16SS103J
E	VA1101 SMD Varistor	MLV0402ES012V0010N	R 238	XRS1/16SS822J
	VA1201 SMD Varistor	MLV0402ES012V0010N	R 239	XRS1/16SS101J
			R 240	XRS1/16SS101J
			R 241	XRS1/16SS680J
	VA1202 SMD Varistor	MLV0402ES012V0010N		
	U 1001 BT Module	CWX4751		
	CN1101 Connector	VKN1192	R 242	RS1/16SS4701F
	CN1201 Connector	CKS6452	R 243	XRS1/16SS393J
	JA101 Plug	CKM1624	R 244	XRS1/16SS103J
			R 246	XRS1/10SR0R0J
			R 248	XRS1/16SS473J
	JA851 Antenna Jack	CKX1104		
	JA1231 Connector	CKS3806		
	JA1241 Jack	CKB1113	R 250	XRS1/10SR471J
	JA1276 Jack	CKN1103	R 263	XRS1/10SR103J
F			R 269	XRS1/16SS101J
			R 301	XRS1/10SR0R0J
			R 441	XRS1/16SS103J
	<b>RESISTORS</b>			
	R 111	XRS1/16SS223J		

<u>Circuit Symbol and No.</u>	<u>Part No.</u>	<u>Circuit Symbol and No.</u>	<u>Part No.</u>
R 442	XRS1/10SR221J	R 573	XRS1/16SS473J
R 461 (B)	XRS1/10SR0R0J	R 574	XRS1/16SS473J
R 463 (B)	XRS1/16SS2202D	R 575	XRS1/16SS473J
R 464 (B)	XRS1/16SS4701D	R 577	XRS1/16SS182J
R 465 (B)	XRS1/16SS4303D	R 578	XRS1/16SS473J
R 466 (B)	XRS1/10SR102J	R 579	XRS1/16SS473J
R 501 (B)	XRS1/16SS222J	R 580	XRS1/16SS473J
R 503	XRS1/16SS3R3J	R 581	XRS1/16SS0R0J
R 504	XRS1/16SS3R3J	R 583	XRS1/16SS0R0J
R 505	XRS1/16SS221J	R 584	XRS1/16SS102J
R 506	XRS1/16SS473J	R 585	XRS1/16SS0R0J
R 507	XRS1/16SS473J	R 586	XRS1/16SS103J
R 508	XRS1/16SS473J	R 587	XRS1/16SS102J
R 509	XRS1/16SS473J	R 588	XRS1/16SS221J
R 510	XRS1/16SS473J	R 589	XRS1/16SS0R0J
R 511	XRS1/16SS473J	R 590	XRS1/16SS221J
R 512	XRS1/16SS102J	R 591	XRS1/16SS221J
R 513	XRS1/16SS222J	R 593	XRS1/16SS0R0J
R 515	XRS1/16SS103J	R 594	XRS1/16SS0R0J
R 517	XRS1/16SS103J	R 596	XRS1/16SS0R0J
R 518	XRS1/16SS472J	R 597	XRS1/16SS102J
R 519	XRS1/16SS151J	R 599	XRS1/16SS102J
R 521	XRS1/16SS473J	R 603	XRS1/16SS101J
R 522	XRS1/16SS0R0J	R 604	XRS1/16SS101J
R 524	XRS1/16SS3001D	R 605	XRS1/16SS101J
R 525	XRS1/16SS103J	R 607	XRS1/16SS101J
R 526	XRS1/16SS1213F	R 610	XRS1/16SS222J
R 531	XRS1/16SS222J	R 611	XRS1/16SS472J
R 532	XRS1/16SS222J	R 612	XRS1/16SS473J
R 533	XRS1/10SR103J	R 614	XRS1/16SS473J
R 534	XRS1/10SR103J	R 615	XRS1/16SS103J
R 536	XRS1/16SS472J	R 617	XRS1/16SS473J
R 538 (A)	XRS1/16SS472J	R 627	XRS1/16SS153J
R 539 (B)	XRS1/16SS473J	R 628	XRS1/16SS153J
R 540	XRS1/16SS103J	R 629	XRS1/16SS472J
R 541	XRS1/16SS103J	R 630	XRS1/16SS101J
R 544	XRS1/16SS102J	R 631	XRS1/16SS0R0J
R 546	XRS1/16SS273J	R 632	XRS1/16SS101J
R 547	XRS1/16SS473J	R 633	XRS1/16SS101J
R 548	XRS1/16SS102J	R 634	XRS1/16SS101J
R 550	XRS1/16SS103J	R 635	XRS1/16SS101J
R 551	XRS1/16SS103J	R 636	XRS1/16SS101J
R 552	XRS1/16SS102J	R 637	XRS1/16SS221J
R 554	XRS1/16SS222J	R 638	XRS1/16SS221J
R 555	XRS1/16SS135J	R 639	XRS1/16SS101J
R 556	XRS1/16SS101J	R 640	XRS1/16SS101J
R 557	XRS1/16SS101J	R 642	XRS1/16SS221J
R 558	XRS1/16SS222J	R 643	XRS1/16SS101J
R 559	XRS1/16SS222J	R 644	XRS1/16SS473J
R 560	XRS1/16SS473J	R 645	XRS1/16SS101J
R 561	XRS1/16SS103J	R 646	XRS1/16SS101J
R 562	XRS1/16SS472J	R 647	XRS1/16SS102J
R 563	XRS1/16SS472J	R 648	XRS1/16SS102J
R 564	XRS1/16SS472J	R 650	XRS1/16SS101J
R 566	RAB4CQ103J	R 651	XRS1/16SS102J
R 567	XRS1/16SS472J	R 652	XRS1/16SS101J
R 568	XRS1/16SS0R0J	R 653	XRS1/16SS0R0J
R 570	XRS1/16SS221J	R 657	XRS1/16SS101J
R 571	XRS1/16SS221J	R 658	XRS1/16SS101J
R 572	XRS1/16SS472J		

Circuit Symbol and No.Part No.Circuit Symbol and No.Part No.

	R 659	XRS1/16SS101J	R 851	XRS1/16SS105J
			R 852	XRS1/16SS105J
A	R 660	XRS1/16SS101J		
	R 661	XRS1/16SS101J	R 853	XRS1/16SS391J
	R 663	XRS1/16SS101J	R 857	RS1/16SS0R0J
	R 664	XRS1/16SS101J	R 863	XRS1/16SS103J
	R 672	XRS1/16SS101J	R 868	XRS1/16SS103J
			R 870	XRS1/16SS101J
	R 690	XRS1/16SS472J		
	R 701	XRS1/16SS103J	R 871	XRS1/16SS0R0J
	R 702	XRS1/16SS152J	R 872	XRS1/16SS0R0J
	R 703	XRS1/16SS101J	R 873	XRS1/16SS182J
	R 704	XRS1/16SS101J	R 874	XRS1/16SS101J
			R 875	XRS1/16SS472J
	R 705	XRS1/16SS222J		
B	R 706	XRS1/16SS222J	R 890	XRS1/16SS0R0J
	R 707	XRS1/16SS472J	R 1001	XRS1/16SS0R0J
	R 708	XRS1/16SS272J	R 1002	XRS1/16SS221J
	R 709	XRS1/16SS473J	R 1004	XRS1/16SS473J
			R 1005	XRS1/16SS221J
	R 710	XRS1/16SS0R0J		
	R 714	RAB4CQ121J	R 1006	XRS1/16SS0R0J
	R 715	RAB4CQ121J	R 1007	XRS1/16SS0R0J
	R 716	RAB4CQ121J	R 1011	XRS1/16SS221J
	R 717	RAB4CQ121J	R 1012	XRS1/16SS221J
			R 1013	XRS1/16SS0R0J
	R 718	RAB4CQ121J		
	R 719	RAB4CQ121J	R 1017	XRS1/16SS473J
C	R 720	RAB4CQ121J	R 1018	XRS1/16SS473J
	R 721	RAB4CQ121J	R 1101	XRS1/16SS104J
	R 722	RAB4CQ121J	R 1104	XRS1/16SS472J
			R 1105	XRS1/16SS221J
	R 723	XRS1/10SR0R0J		
	R 724	XRS1/16SS121J	R 1106	XRS1/16SS221J
	R 731	XRS1/16SS330J	R 1107	XRS1/16SS101J
	R 732	XRS1/16SS330J	R 1108	XRS1/16SS221J
	R 733	XRS1/16SS103J	R 1109	XRS1/16SS101J
			R 1110	XRS1/16SS102J
	R 734	XRS1/16SS103J		
	R 735	XRS1/16SS103J	R 1112	XRS1/16SS221J
	R 736	XRS1/16SS330J	R 1114	XRS1/16SS473J
D	R 737	XRS1/16SS330J	R 1115	XRS1/16SS472J
	R 741	XRS1/16SS330J	R 1116	XRS1/16SS472J
			R 1117	XRS1/16SS472J
	R 742	XRS1/16SS103J		
	R 743	XRS1/16SS103J	R 1119	XRS1/16SS473J
	R 744	XRS1/16SS330J	R 1120	XRS1/16SS151J
	R 745	XRS1/16SS330J	R 1121	XRS1/16SS151J
	R 746	XRS1/16SS103J	R 1122	XRS1/16SS151J
			R 1203	XRS1/16SS223J
	R 747	XRS1/16SS330J		
	R 748	XRS1/16SS330J	R 1204	XRS1/16SS223J
	R 749	XRS1/16SS330J	R 1205	XRS1/10SR222J
	R 750	XRS1/16SS103J	R 1206	XRS1/10SR0R0J
E	R 751	XRS1/16SS103J	R 1207	XRS1/10SR0R0J
			R 1208	XRS1/10SR0R0J
	R 753	XRS1/16SS103J		
	R 754	XRS1/16SS330J	R 1209	XRS1/10SR222J
	R 755	XRS1/16SS0R0J	R 1210	XRS1/10SR222J
	R 756	XRS1/16SS0R0J	R 1211	XRS1/10SR222J
	R 757	XRS1/16SS0R0J	R 1212	XRS1/10SR222J
			R 1213	XRS1/16SS123J
	R 761	XRS1/10SR221J		
	R 762 (B)	XRS1/16SS0R0J	R 1214	XRS1/10SR222J
	R 763	XRS1/16SS101J	R 1215	XRS1/10SR101J
	R 764	XRS1/16SS101J	R 1217	XRS1/16SS101J
	R 765 (B)	XRS1/16SS222J	R 1218	XRS1/16SS0R0J
			R 1219	XRS1/16SS0R0J
F	R 766 (A)	XRS1/16SS0R0J		
	R 767	XRS1/16SS104J	R 1220	XRS1/16SS0R0J
	R 768	XRS1/16SS181J	R 1221	XRS1/16SS0R0J

<u>Circuit Symbol and No.</u>	<u>Part No.</u>	<u>Circuit Symbol and No.</u>	<u>Part No.</u>
R 1222	XRS1/16SS0R0J	R 1431	XRS1/10SR0R0J
R 1223	XRS1/16SS0R0J	R 1432	RS1/16SS0R0J
R 1231	XRS1/16SS181J		
		<b>CAPACITORS</b>	
R 1232	XRS1/16SS181J	C 101	2 200 uF/16V
R 1233	XRS1/16SS223J	C 102	
R 1234	XRS1/16SS223J	C 103	CCH1659
R 1235	XRS1/10SR822J	C 104	CKSRYB103K50
R 1236	XRS1/10SR471J	C 105	CKSSYB102K50
			CKSSYB102K50
R 1237	XRS1/16SS104J		
R 1238	XRS1/16SS471J	C 106	CKSSYB102K50
R 1239	XRS1/10SR471J	C 107	CKSSYB102K50
R 1241 (A)	XRS1/16SS821J	C 108	CKSSYB102K50
R 1241 (B)	XRS1/16SS470J	C 109	CKSSYB102K50
		C 110	CKSSYB102K50
R 1242 (A)	XRS1/16SS821J		
R 1242 (B)	XRS1/16SS470J	C 111	CKSRYX104K50
R 1243 (A)	XRS1/16SS821J	C 121	CKSSYB104K16
R 1243 (B)	XRS1/16SS470J	C 122	CKSRYX105K50
R 1244 (A)	XRS1/16SS821J	C 201	CKSSYB681K50
		C 202	CEVW221M16
R 1244 (B)	XRS1/16SS470J		
R 1245 (A)	XRS1/16SS821J	C 203	CKSRYX106M6R3
R 1245 (B)	XRS1/16SS470J	C 204	CEVQW221M6R3
R 1246 (A)	XRS1/16SS821J	C 205	CKSRYX105K50
R 1246 (B)	XRS1/16SS470J	C 206	CKSYX106K35
		C 207	CKSSYB104K10
R 1247	XRS1/16SS223J		
R 1248	XRS1/16SS223J	C 208	CCSSCH471J50
R 1249	XRS1/16SS223J	C 209	CKSSYB681K50
R 1250	XRS1/16SS223J	C 210	CCH1659
R 1251	XRS1/16SS223J	C 211	CKSQYX106K10
		C 212	CEAT102M16
R 1252	XRS1/16SS223J		
R 1253	XRS1/16SS0R0J	C 213	CKSSYB222K50
R 1255	XRS1/16SS0R0J	C 214	CKSRYX106M6R3
R 1278	XRS1/16SS102J	C 215	CKSSYB104K16
R 1280	XRS1/16SS102J	C 216	CKSSYX104K50
		C 218	CKSYX106K35
R 1281	XRS1/16SS101J		
R 1282	XRS1/16SS101J	C 220	CKSYX106K35
R 1301	XRS1/16SS123J	C 221	CKSYX106K35
R 1302	XRS1/16SS103J	C 222	CEVW221M16
R 1303	XRS1/16SS221J	C 223	CCSSCH221J50
		C 224	CKSRYX105K16
R 1305	RS1/16SS0R0J		
R 1306	XRS1/16SS103J	C 225	CKSRYX105K16
R 1307	XRS1/16SS0R0J	C 227	CCSSCH221J50
R 1308	RS1/8SQ0R0J	C 228	CKSSYB102K50
R 1312	XRS1/16SS272J	C 230	CKSQYX106K10
		C 231	CKSSYB104K16
R 1313	XRS1/16SS102J		
R 1316	XRS1/10SR0R0J	C 232	CEHVW101M6R3
R 1321 (A)	XRS1/16SS0R0J	C 234	CKSRYX475K6R3
R 1321 (B)	XRS1/16SS432J	C 236	CKSYX106K35
R 1322 (A)	XRS1/16SS0R0J	C 237	CKSSYB104K16
		C 238	CKSYX226M16
R 1322 (B)	XRS1/16SS432J		
R 1323 (A)	XRS1/16SS0R0J	C 239	CCSSCH100D50
R 1323 (B)	XRS1/16SS432J	C 240	CCSSCH100D50
R 1324 (A)	XRS1/16SS0R0J	C 241	CKSQYX106K10
R 1324 (B)	XRS1/16SS432J	C 242	CKSSYB104K16
		C 243	CKSYX106K35
R 1325 (B)	XRS1/16SS272J		
R 1326 (B)	XRS1/16SS272J	C 244	CKSSYB102K50
R 1327 (B)	XRS1/16SS272J	C 245	CKSYX106K35
R 1328 (B)	XRS1/16SS272J	C 247	CKSSYX105K10
R 1421	XRS1/16SS0R0J	C 248	CKSRYX105K50
		C 249	CCSSCH820J50
R 1422	XRS1/16SS0R0J		

Circuit Symbol and No.Part No.Circuit Symbol and No.Part No.

	C 250	CKSRYX225K10		
	C 251	CKSSYX105K10	C 545	CCSSCH100D50
A	C 252	CKSRYX475K6R3	C 546	CCSSCH120J50
	C 253	CKSRYX105K50	C 551	CKSSYB104K10
	C 255	CKSSYX105K6R3	C 552	CKSRYX475K6R3
			C 553	CKSRYX106M6R3
	C 257	CKSYX106K35		
	C 259	CKSQYX106K10	C 555	CKSSYB103K16
	C 260	CKSQYX106K10	C 556	CKSSYB104K10
	C 261	CKSSYB104K10	C 557	CKSSYB104K10
	C 270	CKSRYX475K6R3	C 558	CKSSYB104K10
			C 559	CKSQYB224K50
	C 441	CCSSCH101J50		
	C 442	CKSRYX106M6R3	C 560	CKSSYB103K16
	C 443	CCSSCH101J50	C 565	CCSSCH270J50
B	C 444	CKSRYX106M6R3	C 566	CCSSCH330J50
	C 461 (B)	CKSYX106K35	C 575	CKSSYB104K10
			C 576	CKSSYB102K50
	C 462 (B)	CKSYX106K35		
	C 463 (B)	CKSQYX106K16	C 580	CKSRYX104K50
	C 464 (B)	CKSSYB221K50	C 588	CKSSYB104K10
	C 502	CKSSYB104K10	C 590	CKSSYB472K25
	C 503	CKSRYX475K6R3	C 591	CKSSYB472K25
			C 592	CKSSYB472K25
	C 505	CKSSYB104K10		
	C 506	CKSRYX475K6R3	C 593	CKSSYB472K25
	C 507	CKSRYX475K6R3	C 595	CKSSYB472K25
	C 508	CKSSYB104K10	C 701	CKSSYB104K10
C	C 509	CKSRYX475K6R3	C 702	CKSSYB104K10
			C 712	CKSSYX105K10
	C 510	CKSSYB104K10		
	C 511	CKSRYX475K6R3	C 713	CKSSYB104K10
	C 512	CKSSYB104K10	C 714	CKSSYX105K10
	C 513	CKSRYX475K6R3	C 715	CKSSYX105K10
	C 514	CKSSYB104K10	C 716	CKSSYX105K10
			C 717	CKSRYX475K6R3
	C 515	CKSSYX105K10		
	C 516	CKSRYX225K16	C 718	CKSSYX105K10
	C 517	CKSSYB104K10	C 719	CKSSYB104K10
	C 518	CCSSCH100D50	C 721	CKSSYX105K16
	C 519	CCSSCH100D50	C 722	CKSSYB104K10
			C 723	CCSSCH120J50
D	C 520	CKSRYX475K6R3		
	C 521	CKSSYB104K10	C 729	CKSQYX106K10
	C 522	CKSRYX475K6R3	C 731	CKSSYB104K10
	C 523	CKSRYX475K6R3	C 741	CKSRYX225K10
	C 524	CKSRYX475K6R3	C 742	CKSSYB104K10
			C 743	CKSSYB104K10
	C 525	CKSRYX106M6R3		
	C 526	CKSSYB103K16	C 761	CKSRYX105K16
	C 527	CKSRYX106M6R3	C 762	CKSRYX105K16
	C 528	CKSSYB103K16	C 763	CKSRYX105K16
	C 529	CKSSYB104K10	C 764	CKSRYX105K16
			C 765	CKSRYX105K16
E	C 530	CKSRYX475K6R3		
	C 531	CKSSYX105K10	C 766	CKSRYX105K16
	C 532	CKSSYX105K10	C 769	CKSRYX105K16
	C 533	CKSRYX475K6R3	C 770	CKSRYX105K16
	C 534	CKSSYB104K10	C 771	CKSRYX105K16
			C 772	CKSRYX105K16
	C 535	GEVW221M10		
	C 536	CCSSCH101J50	C 773	CKSRYX105K16
	C 537	CKSSYB103K16	C 774	CCSSCH151J50
	C 538	CKSRYX106M6R3	C 775	CCSSCH151J50
	C 539	CKSSYB103K16	C 776	CKSSYX104K50
			C 777	CKSYX106K35
	C 540	CKSRYX106M6R3		
F	C 541	CKSSYB222K50	C 779	CKSQYX106K10
	C 542	CKSSYB104K10	C 780	CKSSYB104K16
	C 543	CKSSYX105K10	C 781	CKSRYX105K16
	C 544	CKSSYB473K16	C 782	CKSRYX105K16

<u>Circuit Symbol and No.</u>	<u>Part No.</u>	<u>Circuit Symbol and No.</u>	<u>Part No.</u>
C 783	CKSRyx105K16	C 1248 (A)	CKSSyB102K50
C 784	CKSRyx105K16	C 1248 (B)	CKSSyB103K16
C 785	CKSRyx105K16	C 1249 (A)	CKSSyB102K50
C 787	CKSQYX106K16	C 1249 (B)	CKSSyB103K16
C 788	CKSQYX106K16	C 1250 (A)	CKSSyB102K50
C 790	CKSRyx106M6R3	C 1250 (B)	CKSSyB103K16
C 791	CKSSyB103K25	C 1251 (A)	CKSSyB102K50
C 794	CCSSCH121J50	C 1251 (B)	CKSSyB103K16
C 853	CCSSCH120J50	C 1252 (A)	CKSSyB102K50
C 854	CCSSCH471J50	C 1252 (B)	CKSSyB103K16
C 855	CCSSCH7R0D50	C 1253	CKSSyB103K16
C 856	CKSSyX104K50	C 1254	CKSSyB104K10
C 857	CCSSCH120J50	C 1255	CCSSCH471J50
C 858	CCSSCH5R0C50	C 1256	CKSSyX105K10
C 859	CCSSCH120J50	C 1278	CKSSyB104K16
C 865	CKSRyx225K10	C 1279	CKSSyB104K16
C 866	CKSSyB224K6R3	C 1280	CCSSCH121J50
C 867	CKSSyB102K50	C 1281	CCSSCH121J50
C 870	CKSSyB102K50	C 1301	CKSQYB474K25
C 872	CKSSyB104K10	C 1302	CKSQYB474K25
C 874	CCSSCH180J50	C 1303	CKSQYB474K25
C 874	CCSSCH180J50	C 1304	CKSQYB474K25
C 875	CKSSyB104K10	C 1306	CKSRyB474K10
C 878	CKSSyB152K50	C 1308	CKSRyx104K50
C 882	CKSSyX105K10	C 1310	CKSQYX106K16
C 884 (A)	CKSSyB104K16	C 1311	CKSRyx225K10
C 885	CKSRyB103K50	C 1312	CKSRyx104K50
C 890	CKSRyx106M6R3	C 1317	CKSRyx104K50
C 891	CKSRyx225K10	C 1318	CKSRyx104K50
C 1003	CKSSyB104K16	C 1321	CKSRyx106M6R3
C 1004	CKSSyB104K16	C 1424	CKSRyB474K10
C 1101	CKSSyB103K16	C 1425	CKSRyB103K50
C 1105	CKSSyX105K10	C 1426	CKSSyB103K25
C 1106	CKSSyX105K10		
C 1109	CKSSyB102K50		
C 1201	CKSRyB104K25		
C 1203	CKSRyx104K50		
C 1204	CKSRyx105K16		
C 1205	CCSRCH221J50		
C 1206	CCSRCH221J50		
C 1210	CKSRyx105K16		
C 1212	CCSSCH470J50		
C 1217	CCSSCH121J50	IC 201	Power supply IC
C 1221	CKSYX106K35	IC 501	Microprocessor IC
C 1231	CKSSyB104K16	IC 502	IC
C 1232	CKSRyx104K50	IC 701	IC
C 1241 (A)	CKSQYX106K10	IC 711	RAM IC
C 1241 (B)	CKSQYX106K25	IC 731	ROM IC
C 1242 (A)	CKSQYX106K10	IC 741	Flash ROM Unit
C 1242 (B)	CKSQYX106K25	IC 742	Flash Memory IC
C 1243 (A)	CKSQYX106K10	IC 761	E-VOL System LSI
C 1243 (B)	CKSQYX106K25	IC 851	Tuner IC
C 1244 (A)	CKSQYX106K10	IC 1301	Power Amp IC
C 1244 (B)	CKSQYX106K25	IC 1401	IC
C 1245 (A)	CKSQYX106K10	IC 1402	Op-amp IC
C 1245 (B)	CKSQYX106K25	Q 111	Resistor Built-in Transistor
C 1246 (A)	CKSQYX106K10	Q 121	Resistor Built-in Transistor
C 1246 (B)	CKSQYX106K25	Q 141	Resistor Built-in Transistor
C 1247 (A)	CKSSyB102K50	Q 142	Resistor Built-in Transistor
C 1247 (B)	CKSSyB103K16	Q 201	Resistor Built-in Transistor
			BD49101ARFS
			STA1080
			S-80827CNMC-B8M
			337S3959
			W9812G6KH-5
			M95512-RMN6P
			QVQ1108
			W25Q16JVSSIQ
			BD37067FV
			TEF6686AHN
			TCB501HQ
			TC4066BFT
			NJM8065RB1
			LTC014TEB
			LTC014EEB
			LTC014TEB
			LTC014TEB
			LTC014TEB

**A****Unit Number: QWM5321(C)****Unit Number: QWM5324(D)****Unit Name : Tuner Amp Unit****MISCELLANEOUS****A**

Circuit Symbol and No.Part No.Circuit Symbol and No.Part No.

	Q 202	FET	SSM3J332R	L 518	Chip Beads	VTL1133
	Q 203	Power MOS FET	RRR040P03	L 519	Chip Beads	VTL1133
A	Q 204	Resistor Built-in Transistor	LTC014TEB	L 711	Chip Beads	VTL1133
	Q 205	FET	SSM3J332R	L 854	Inductor	LCMAR27J1608
	Q 441	Transistor	2SAR502UB	L 855	Inductor	CTF1786
	Q 442	Resistor Built-in Transistor	LTC023YEB	L 856	Inductor(C)	CTF1787
	Q 701	Resistor Built-in Transistor	LTA023YEB	L 857	SMD SPL Inductor(D)	LCYAR82J2016
				L 858	Chip Coil(D)	LCTAWR27J2520
	Q 1101	Resistor Built-in Transistor	LTC014EEB	L 859	Chip Coil(D)	LCTAW3R3J2520
	Q 1241	Transistor	IMH23	L 860	Inductor(C)	LCYC150K1608
	Q 1242	Transistor	IMH23	L 863	Inductor	LCMAR22J1608
	Q 1243	Transistor	IMH23	L 1001	Chip Ferrite Bead	DTL1107
	Q 1276	Transistor(D)	EMD53	L 1101	Inductor	CTF1787
B	Q 1277	Transistor(D)	EMD53	L 1102	Chip Beads	VTL1133
	Q 1278	Transistor(D)	EMD53	L 1103	Chip Beads	VTL1133
	Q 1279	Transistor(D)	EMD53	L 1104	Chip Beads	VTL1133
	Q 1301	Transistor	EMD52	L 1201	Noise Filter	CTF1901
	Q 1302	Resistor Built-in Transistor	LTA023YEB	L 1401	Ferrite Bead	CTF1528
	Q 1401	Transistor	EMD52	X 501	Resonator 24 MHz	CSS1773
	Q 1403	Resistor Built-in Transistor	LTC014EEB	X 502	Resonator 32.768 kHz	CSS1807
	D 101	Diode	D1F60-5053	X 851	Crystal Resonator 55.466 67 MHz	CSS1898
	D 102	Diode	D1F60-5053	P 852	Surge Absorber	IMSA-6803-01Y900
	D 111	Zener Diode(C)	UDZV7R5(B)	P 1243	Poly Switch	FSMD075-24R
	D 111	Zener Diode(D)	UDZV6R8(B)	VA 1101	SMD Varistor	MLV0402ES012V0010N
C	D 121	Switching Diode	1SS355VM	VA 1201	SMD Varistor	MLV0402ES012V0010N
	D 141	Zener Diode	UDZV7R5(B)	VA 1202	SMD Varistor	MLV0402ES012V0010N
	D 201	Schottky Diode	RB162MM-40TF	U 1001	BT Module	CWX4751
	D 202	Rectifier Diode	RR1VWM4STF	CN1101	Connector	VKN1192
	D 203	Schottky Diode	RB056LAM-40TF	CN1201	Connector	CKS6452
	D 204	Rectifier Diode	RR1VWM4STF	JA 101	Plug	CKM1624
	D 206	Schottky Diode	CMS30130A	JA 851	Antenna Jack	CKX1104
	D 207	Schottky Diode	RB751SM-40	JA 1241	Jack	CKB1113
	D 208	Schottky Diode	RB751SM-40	JA 1276	Jack	CKN1103
	D 210	Schottky Diode	RB162MM-40TF			
	D 501	Schottky Diode(C)	RB751SM-40			
D	D 502	Schottky Diode(C)	RB751SM-40			
	D 1001	Zener Diode	SZESD7351HG	R 111		XRS1/16SS223J
	D 1101	Zener Diode	UDZV18(B)	R 112		XRS1/16SS473J
				R 113	(C)	XRS1/16SS333J
	D 1201	Zener Diode	RSB6R8SM	R 113	(D)	XRS1/16SS822J
	D 1204	Zener Diode	UDZV6R2(B)	R 114	(C)	RS1/4SA122J
	D 1205	Zener Diode	UDZV6R2(B)			
	D 1206	Zener Diode	RSB6R8SM	R 114	(D)	RS1/4SA102J
	D 1207	Zener Diode	RSB6R8SM	R 121		XRS1/16SS103J
				R 123		RS1/4SA102J
	D 1208	Zener Diode	RSB6R8SM	R 141		XRS1/16SS104J
	D 1209	Zener Diode	RSB6R8SM	R 142		XRS1/16SS473J
	D 1210	Zener Diode	RSB6R8SM			
E	D 1303	Schottky Diode	RB751SM-40	R 143		XRS1/16SS103J
	L 101	Choke Coil 120 uH	CTH1620	R 144		XRS1/16SS472J
				R 145		XRS1/16SS0R0J
	L 201	SMD SPL Inductor	CTH1521	R 165		XRS1/10SR0R0J
	L 202	SMD SPL Inductor	CTH1584	R 201		XRS1/16SS102J
	L 203	Chip Beads	VTL1133			
	L 441	Inductor	CTF1736	R 202		XRS1/16SS3303D
	L 501	Chip Beads	VTL1133	R 203		XRS1/10SR0R0J
				R 204		XRS1/10SR0R0J
	L 502	Inductor	CTF1645	R 206		XRS1/16SS472J
	L 504	Chip Beads	VTL1133	R 207		XRS1/16SS103J
	L 505	Chip Beads	VTL1133			
	L 511	Chip Beads	VTL1133	R 208		XRS1/16SS473J
F	L 513	Chip Beads	VTL1133	R 209		XRS1/10SR472J
				R 210		XRS1/16SS103J
	L 514	Chip Beads	VTL1126	R 211		XRS1/10SR472J
	L 517	Chip Beads	VTL1133	R 212		XRS1/16SS103J

**RESISTORS**

<u>Circuit Symbol and No.</u>	<u>Part No.</u>	<u>Circuit Symbol and No.</u>	<u>Part No.</u>
		R 532	XRS1/16SS222J
R 213	XRS1/16SS132J		
R 214	XRS1/16SS102J	R 533	XRS1/10SR103J
R 215	XRS1/16SS2403D	R 534	XRS1/10SR103J
R 216	XRS1/16SS7502D	R 536	XRS1/16SS472J
R 217	XRS1/16SS4303D	R 538 (C)	XRS1/16SS472J
		R 539 (D)	XRS1/16SS473J
R 218	XRS1/16SS4303D		
R 219	XRS1/16SS273J	R 540	XRS1/16SS103J
R 220	XRS1/16SS474J	R 541	XRS1/16SS103J
R 221	XRS1/16SS473J	R 544	XRS1/16SS102J
R 222	XRS1/16SS6802D	R 546	XRS1/16SS273J
		R 547	XRS1/16SS473J
R 223	30 mohm CCN1401		
R 224	XRS1/16SS6802D	R 548	XRS1/16SS102J
R 225	XRS1/16SS102J	R 550	XRS1/16SS103J
R 226	XRS1/16SS1203D	R 551	XRS1/16SS103J
R 227	XRS1/16SS1802D	R 552	XRS1/16SS102J
		R 554	XRS1/16SS222J
R 229	RS1/16SS393J		
R 230	XRS1/16SS682J	R 555	XRS1/16SS135J
R 231	XRS1/16SS4703D	R 556	XRS1/16SS101J
R 232	XRS1/16SS1503D	R 557	XRS1/16SS101J
R 233	XRS1/16SS1003D	R 558	XRS1/16SS222J
		R 559	XRS1/16SS222J
R 234	XRS1/16SS7503D		
R 235	XRS1/16SS1603D	R 560	XRS1/16SS473J
R 236	XRS1/16SS103J	R 561	XRS1/16SS103J
R 238	XRS1/16SS822J	R 562	XRS1/16SS472J
R 239	XRS1/16SS101J	R 563	XRS1/16SS472J
		R 564	XRS1/16SS472J
R 240	XRS1/16SS101J		
R 241	XRS1/16SS680J	R 566	RAB4CQ103J
R 242	RS1/16SS4701F	R 567	XRS1/16SS472J
R 243	XRS1/16SS393J	R 568	XRS1/16SS0R0J
R 244	XRS1/16SS103J	R 570	XRS1/16SS221J
		R 571	XRS1/16SS221J
R 246	XRS1/10SR0R0J		
R 248	XRS1/16SS473J	R 572	XRS1/16SS472J
R 250	XRS1/10SR471J	R 573	XRS1/16SS473J
R 263	XRS1/10SR103J	R 574	XRS1/16SS473J
R 269	XRS1/16SS101J	R 575	XRS1/16SS473J
		R 577	XRS1/16SS182J
R 301	XRS1/10SR0R0J		
R 441	XRS1/16SS103J	R 578	XRS1/16SS473J
R 442	XRS1/10SR221J	R 579	XRS1/16SS473J
R 503	XRS1/16SS3R3J	R 580	XRS1/16SS473J
R 504	XRS1/16SS3R3J	R 581	XRS1/16SS0R0J
		R 583	XRS1/16SS0R0J
R 505	XRS1/16SS221J		
R 506	XRS1/16SS473J	R 584	XRS1/16SS102J
R 507	XRS1/16SS473J	R 585	XRS1/16SS0R0J
R 508	XRS1/16SS473J	R 586	XRS1/16SS103J
R 509	XRS1/16SS473J	R 587	XRS1/16SS102J
		R 588	XRS1/16SS221J
		R 589	XRS1/16SS0R0J
R 510	XRS1/16SS473J		
R 511	XRS1/16SS473J		
R 512	XRS1/16SS102J	R 590	XRS1/16SS221J
R 513	XRS1/16SS222J	R 591	XRS1/16SS221J
R 515	XRS1/16SS103J	R 593	XRS1/16SS0R0J
		R 594	XRS1/16SS0R0J
		R 596	XRS1/16SS0R0J
R 517	XRS1/16SS103J		
R 518	XRS1/16SS472J		
R 519	XRS1/16SS151J	R 597	XRS1/16SS102J
R 521	XRS1/16SS473J	R 599	XRS1/16SS102J
R 522	XRS1/16SS0R0J	R 603	XRS1/16SS101J
		R 604	XRS1/16SS101J
		R 605	XRS1/16SS101J
R 524	XRS1/16SS3001D		
R 525	XRS1/16SS103J		
R 526	XRS1/16SS1213F	R 610	XRS1/16SS222J
R 531	XRS1/16SS222J	R 611	XRS1/16SS472J

	<u>Circuit Symbol and No.</u>	<u>Part No.</u>	<u>Circuit Symbol and No.</u>	<u>Part No.</u>
	R 612	XRS1/16SS473J	R 732	XRS1/16SS330J
	R 614	XRS1/16SS473J	R 733	XRS1/16SS103J
A	R 615	XRS1/16SS103J	R 734	XRS1/16SS103J
			R 735	XRS1/16SS103J
	R 617	XRS1/16SS473J		
	R 627	XRS1/16SS153J	R 736	XRS1/16SS330J
	R 628	XRS1/16SS153J	R 737	XRS1/16SS330J
	R 629	XRS1/16SS472J	R 741	XRS1/16SS330J
	R 630	XRS1/16SS101J	R 742	XRS1/16SS103J
			R 743	XRS1/16SS103J
	R 631	XRS1/16SS0R0J		
	R 632	XRS1/16SS101J	R 744	XRS1/16SS330J
	R 633	XRS1/16SS101J	R 745	XRS1/16SS330J
	R 634	XRS1/16SS101J	R 746	XRS1/16SS103J
	R 635	XRS1/16SS101J	R 747	XRS1/16SS330J
B			R 748	XRS1/16SS330J
	R 636	XRS1/16SS101J		
	R 637	XRS1/16SS221J	R 749	XRS1/16SS330J
	R 638	XRS1/16SS221J	R 750	XRS1/16SS103J
	R 639	XRS1/16SS101J	R 751	XRS1/16SS103J
	R 640	XRS1/16SS101J	R 753	XRS1/16SS103J
			R 754	XRS1/16SS330J
	R 642	XRS1/16SS221J		
	R 643	XRS1/16SS101J	R 755	XRS1/16SS0R0J
	R 644	XRS1/16SS473J	R 756	XRS1/16SS0R0J
	R 645	XRS1/16SS101J	R 757	XRS1/16SS0R0J
	R 646	XRS1/16SS101J	R 761	XRS1/10SR221J
			R 763	XRS1/16SS101J
C	R 647	XRS1/16SS102J		
	R 648	XRS1/16SS102J	R 764	XRS1/16SS101J
	R 650	XRS1/16SS101J	R 766	XRS1/16SS0R0J
	R 651	XRS1/16SS102J	R 767	XRS1/16SS104J
	R 652	XRS1/16SS101J	R 768	XRS1/16SS181J
			R 851	XRS1/16SS105J
	R 653	XRS1/16SS0R0J		
	R 657	XRS1/16SS101J	R 852	XRS1/16SS105J
	R 658	XRS1/16SS101J	R 853 (C)	XRS1/16SS391J
	R 659	XRS1/16SS101J	R 853 (D)	XRS1/16SS101J
	R 660	XRS1/16SS101J	R 857	RS1/16SS0R0J
			R 863	XRS1/16SS103J
	R 661	XRS1/16SS101J		
D	R 663	XRS1/16SS101J	R 868	XRS1/16SS103J
	R 664	XRS1/16SS101J	R 870	XRS1/16SS101J
	R 672	XRS1/16SS101J	R 871	XRS1/16SS0R0J
	R 701	XRS1/16SS103J	R 872	XRS1/16SS0R0J
			R 873	XRS1/16SS182J
	R 702	XRS1/16SS152J		
	R 703	XRS1/16SS101J	R 874	XRS1/16SS101J
	R 704	XRS1/16SS101J	R 875	XRS1/16SS472J
	R 705	XRS1/16SS222J	R 890	XRS1/16SS0R0J
	R 706	XRS1/16SS222J	R 1001	XRS1/16SS0R0J
			R 1002	XRS1/16SS221J
	R 707	XRS1/16SS472J		
E	R 708	XRS1/16SS272J	R 1004	XRS1/16SS473J
	R 709	XRS1/16SS473J	R 1005	XRS1/16SS221J
	R 710	XRS1/16SS0R0J	R 1006	XRS1/16SS0R0J
	R 714	RAB4CQ121J	R 1007	XRS1/16SS0R0J
			R 1011	XRS1/16SS221J
	R 715	RAB4CQ121J		
	R 716	RAB4CQ121J	R 1012	XRS1/16SS221J
	R 717	RAB4CQ121J	R 1013	XRS1/16SS0R0J
	R 718	RAB4CQ121J	R 1017	XRS1/16SS473J
	R 719	RAB4CQ121J	R 1018	XRS1/16SS473J
			R 1101	XRS1/16SS104J
	R 720	RAB4CQ121J		
	R 721	RAB4CQ121J	R 1104	XRS1/16SS472J
	R 722	RAB4CQ121J	R 1105	XRS1/16SS221J
F	R 723	XRS1/10SR0R0J	R 1106	XRS1/16SS221J
	R 724	XRS1/16SS121J	R 1107	XRS1/16SS101J
			R 1108	XRS1/16SS221J
	R 731	XRS1/16SS330J		



Circuit Symbol and No.Part No.Circuit Symbol and No.Part No.

C 223	CCSSCH221J50	C 526	CKSSYB103K16
C 224	CKSRYX105K16	C 527	CKSRYX106M6R3
A C 225	CKSRYX105K16	C 528	CKSSYB103K16
C 227	CCSSCH221J50	C 529	CKSSYB104K10
C 228	CKSSYB102K50	C 530	CKSRYX475K6R3
C 230	CKSQYX106K10	C 531	CKSSYX105K10
C 231	CKSSYB104K16	C 532	CKSSYX105K10
		C 533	CKSRYX475K6R3
C 232	GEHVW101M6R3		
C 234	CKSRYX475K6R3	C 534	CKSSYB104K10
C 236	CKSYX106K35	C 535	CEVW221M10
C 237	CKSSYB104K16	C 536	CCSSCH101J50
C 238	CKSYX226M16	C 537	CKSSYB103K16
		C 538	CKSRYX106M6R3
B C 239	CCSSCH100D50		
C 240	CCSSCH100D50	C 539	CKSSYB103K16
C 241	CKSQYX106K10	C 540	CKSRYX106M6R3
C 242	CKSSYB104K16	C 541	CKSSYB222K50
C 243	CKSYX106K35	C 542	CKSSYB104K10
		C 543	CKSSYX105K10
C 244	CKSSYB102K50		
C 245	CKSYX106K35	C 544	CKSSYB473K16
C 247	CKSSYX105K10	C 545	CCSSCH100D50
C 248	CKSRYX105K50	C 546	CCSSCH120J50
C 249	CCSSCH820J50	C 551	CKSSYB104K10
		C 552	CKSRYX475K6R3
C 250	CKSRYX225K10		
C 251	CKSSYX105K10	C 553	CKSRYX106M6R3
C 252	CKSRYX475K6R3	C 555	CKSSYB103K16
C 253	CKSRYX105K50	C 556	CKSSYB104K10
C 255	CKSSYX105K6R3	C 559	CKSQYB224K50
		C 560	CKSSYB103K16
C 257	CKSYX106K35		
C 259	CKSQYX106K10	C 565	CCSSCH270J50
C 260	CKSQYX106K10	C 566	CCSSCH330J50
C 261	CKSSYB104K10	C 575	CKSSYB104K10
C 270	CKSRYX475K6R3	C 576	CKSSYB102K50
		C 580	CKSRYX104K50
C 441	CCSSCH101J50		
C 442	CKSRYX106M6R3	C 588	CKSSYB104K10
D C 443	CCSSCH101J50	C 590	CKSSYB472K25
C 444	CKSRYX106M6R3	C 591	CKSSYB472K25
C 502	CKSSYB104K10	C 592	CKSSYB472K25
		C 593	CKSSYB472K25
C 503	CKSRYX475K6R3		
C 505	CKSSYB104K10	C 595	CKSSYB472K25
C 506	CKSRYX475K6R3	C 701	CKSSYB104K10
C 507	CKSRYX475K6R3	C 702	CKSSYB104K10
C 508	CKSSYB104K10	C 712	CKSSYX105K10
		C 713	CKSSYB104K10
C 509	CKSRYX475K6R3		
C 510	CKSSYB104K10	C 714	CKSSYX105K10
C 511	CKSRYX475K6R3	C 715	CKSSYX105K10
E C 512	CKSSYB104K10	C 716	CKSSYX105K10
C 513	CKSRYX475K6R3	C 717	CKSRYX475K6R3
		C 718	CKSSYX105K10
C 514	CKSSYB104K10		
C 515	CKSSYX105K10	C 719	CKSSYB104K10
C 516	CKSRYX225K16	C 721	CKSSYX105K16
C 517	CKSSYB104K10	C 722	CKSSYB104K10
C 518	CCSSCH100D50	C 723	CCSSCH120J50
		C 729	CKSQYX106K10
C 519	CCSSCH100D50		
C 520	CKSRYX475K6R3	C 731	CKSSYB104K10
C 521	CKSSYB104K10	C 741	CKSRYX225K10
C 522	CKSRYX475K6R3	C 742	CKSSYB104K10
F C 523	CKSRYX475K6R3	C 743	CKSSYB104K10
		C 761	CKSRYX105K16
C 524	CKSRYX475K6R3		
C 525	CKSRYX106M6R3	C 762	CKSRYX105K16

<u>Circuit Symbol and No.</u>	<u>Part No.</u>	<u>Circuit Symbol and No.</u>	<u>Part No.</u>
C 763	CKSRyx105K16	C 1206	CCSRCH221J50
C 767	CKSRyx105K16	C 1210	CKSRyx105K16
C 768	CKSRyx105K16	C 1212	CCSSCH470J50
C 769	CKSRyx105K16	C 1217	CCSSCH121J50
		C 1221	CKSYX106K35
C 770	CKSRyx105K16		
C 771	CKSRyx105K16	C 1241	CKSQYX106K10
C 772	CKSRyx105K16	C 1242	CKSQYX106K10
C 773	CKSRyx105K16	C 1243	CKSQYX106K10
C 774	CCSSCH151J50	C 1244	CKSQYX106K10
		C 1245	CKSQYX106K10
C 775	CCSSCH151J50		
C 776	CKSSYX104K50	C 1246	CKSQYX106K10
C 777	CKSYX106K35	C 1247	CKSSYB102K50
C 778	CKSRyx105K16	C 1248	CKSSYB102K50
C 779	CKSQYX106K10	C 1249	CKSSYB102K50
		C 1250	CKSSYB102K50
C 780	CKSSYB104K16		
C 781	CKSRyx105K16	C 1251	CKSSYB102K50
C 782	CKSRyx105K16	C 1252	CKSSYB102K50
C 783	CKSRyx105K16	C 1253	CKSSYB103K16
C 784	CKSRyx105K16	C 1254	CKSSYB104K10
		C 1255	CCSSCH471J50
C 785	CKSRyx105K16		
C 787	CKSQYX106K16	C 1256	CKSSYX105K10
C 788	CKSQYX106K16	C 1278	CKSSYB104K16
C 790	CKSRyx106M6R3	C 1279	CKSSYB104K16
C 791	CKSSYB103K25	C 1280	CCSSCH121J50
		C 1281	CCSSCH121J50
C 794	CCSSCH121J50		
C 853	CCSSCH120J50	C 1301	CKSQYB474K25
C 854	CCSSCH471J50	C 1302	CKSQYB474K25
C 855	CCSSCH7R0D50	C 1303	CKSQYB474K25
C 856	CKSSYX104K50	C 1304	CKSQYB474K25
		C 1306	CKSRyx474K10
C 857	CCSSCH120J50		
C 858	CCSSCH5R0C50	C 1308	CKSRyx104K50
C 859	CCSSCH120J50	C 1310	CKSQYX106K16
C 860 (D)	CCSSCK2R0C50	C 1311	CKSRyx225K10
C 861 (D)	CCSSCK1R0C50	C 1312	CKSRyx104K50
		C 1317	CKSRyx104K50
C 862 (D)	CCSSCK1R0C50		
C 863 (D)	CCSSCH120J50	C 1318	CKSRyx104K50
C 865	CKSRyx225K10	C 1321	CKSRyx106M6R3
C 866	CKSSYB224K6R3	C 1401	CKSSYB104K10
C 867	CKSSYB102K50	C 1403	CKSRyx106M6R3
		C 1404	CKSSYB104K10
C 870	CKSSYB102K50		
C 872	CKSSYB104K10	C 1405	CKSSYX105K10
C 874	CCSSCH180J50	C 1406	CKSSYB104K10
C 875	CKSSYB104K10	C 1407	CKSSYB182K50
C 878	CKSSYB152K50	C 1408	CKSRyx105K25
		C 1409	CKSSYX105K10
C 882	CKSSYX105K10		
C 884	CKSSYB104K16	C 1410	CCSSCH6R0D50
C 885 (C)	CKSRyx103K50	C 1411	CKSSYB102K50
C 890	CKSRyx106M6R3	C 1412	CKSSYB104K10
C 891	CKSRyx225K10	C 1421	CKSRyx105K16
		C 1422	CKSRyx105K16
C 1003	CKSSYB104K16		
C 1004	CKSSYB104K16	C 1424	CKSRyx474K10
C 1101	CKSSYB103K16	C 1425	CKSRyx103K50
C 1105	CKSSYX105K10	C 1426	CKSSYB103K25
C 1106	CKSSYX105K10		
C 1109	CKSSYB102K50		
C 1201	CKSRyx104K25		
C 1203	CKSRyx104K50		
C 1204	CKSRyx105K16		
C 1205	CCSRCH221J50		

**B**

Unit Number: QWM5372(A,B,D)

Unit Number: QWM5373(C)

Unit Name : Keyboard Unit

Circuit Symbol and No.Part No.Circuit Symbol and No.Part No.MISCELLANEOUS

				R 1802		XRS1/10SR0R0J
				R 1803		XRS1/10SR0R0J
				R 1804		XRS1/10SR472J
				R 1805		XRS1/10SR0R0J
A	IC 1801	Driver IC	BU97540KV-M			
	IC 1802	Driver IC	BU97540KV-M			
	IC 1851	IR RC REC Module(A,B,D)	SIR8440B5			
	Q 1951	Bipolar Transistor	LSCR523UB	R 1821		XRS1/10SR273J
	Q 1952	Bipolar Transistor	LSCR523UB	R 1851	(C)	XRS1/10SR473J
				R 1853	(A,B,D)	XRS1/10SR101J
	Q 1953	Bipolar Transistor	LSCR523UB	R 1921		XRS1/10SR0R0J
	Q 1954	Bipolar Transistor	LSCR523UB	R 1922		XRS1/10SR0R0J
	Q 1955	Bipolar Transistor	LSCR523UB			
	Q 1956	Bipolar Transistor	LSCR523UB	R 1923		XRS1/10SR0R0J
	Q 1957	Bipolar Transistor	LSCR523UB	R 1941		XRS1/10SR222J
				R 1942		XRS1/10SR222J
	Q 1958	Bipolar Transistor	LSCR523UB	R 1943		XRS1/10SR222J
B	Q 1959	Bipolar Transistor	LSCR523UB	R 1944		XRS1/10SR222J
	Q 1960	Bipolar Transistor	LSCR523UB			
	Q 1961	Bipolar Transistor	LSCR523UB			
	Q 1962	Bipolar Transistor	LSCR523UB	R 1951		XRS1/10SR123J
				R 1952		XRS1/10SR682J
				R 1953		XRS1/10SR101J
	Q 1963	Bipolar Transistor	LSCR523UB	R 1955		XRS1/10SR123J
	Q 1964	Bipolar Transistor	LSCR523UB	R 1956		XRS1/10SR682J
	Q 1965	Bipolar Transistor	LSCR523UB			
	D 1901	Zener Diode	SZESD7351HG	R 1957		XRS1/10SR101J
	D 1902	Zener Diode	SZESD7351HG	R 1959		XRS1/10SR123J
				R 1960		XRS1/10SR682J
	D 1922	Zener Diode	RSB6R8SM	R 1961		XRS1/10SR101J
	D 1923	Zener Diode	RSB6R8SM	R 1963		XRS1/10SR123J
C	D 1924	Zener Diode	RSB6R8SM			
	D 1951	LED	NSSM124F-A27847	R 1964		XRS1/10SR682J
	D 1952	LED	NSSM124F-A27847	R 1965		XRS1/10SR101J
				R 1967		XRS1/10SR123J
	D 1953	LED	NSSM124F-A27847	R 1968		XRS1/10SR682J
	D 1954	LED	NSSM124F-A27847	R 1969		XRS1/10SR101J
	D 1955	LED	NSSM124F-A27847			
	D 1956	LED	NSSM124F-A27847	R 1971		XRS1/10SR123J
	D 1957	LED	MSL0101RGBU	R 1972		XRS1/10SR682J
				R 1973		XRS1/10SR101J
	D 1958	LED	MSL0101RGBU	R 1975		XRS1/10SR123J
	D 1959	LED	MSL0101RGBU	R 1976		XRS1/10SR682J
	D 1960	LED	MSL0101RGBU			
D	L 1942	Inductor	CTF1389	R 1977		XRS1/10SR101J
	S 1821	Switch	CSG1207	R 1979		XRS1/10SR123J
				R 1980		XRS1/10SR682J
	S 1822	Switch	CSG1207	R 1981		XRS1/10SR101J
	S 1823	Switch	CSG1207	R 1983		XRS1/10SR123J
	S 1824	Switch	CSG1207			
	S 1825	Switch	CSG1207	R 1984		XRS1/10SR682J
	S 1826	Switch	CSG1207	R 1985		XRS1/10SR101J
				R 1987		XRS1/10SR121J
	S 1827	Switch	CSG1207	R 1988		XRS1/10SR121J
	S 1828	Switch	CSG1207	R 1989		XRS1/10SR151J
	S 1829	Switch	CSG1207			
	S 1830	Switch	CSG1207	R 1990		XRS1/10SR121J
E	S 1831	Switch	CSG1207	R 1991		XRS1/10SR121J
				R 1992		XRS1/10SR151J
	S 1832	Switch	CSG1207	R 1993		XRS1/10SR121J
	S 1833	Switch	CSG1207	R 1994		XRS1/10SR121J
	S 1834	Switch	CSG1207			
	S 1835	Switch	CSG1207	R 1995		XRS1/10SR151J
	S 1836	Encoder(MULTI-CONTROL)	CSD1193	R 1996		XRS1/10SR123J
				R 1997		XRS1/10SR562J
	S 1941	Switch	CSG1207	R 1998		RS1/10SR360J
	CN1941	Connector	CKS6451	R 2000		XRS1/10SR123J
	JA1901	Connector	CKS6443			
	JA1921	Jack	CKN1090	R 2001		XRS1/10SR562J
F	V 1801	Segment LCD	CAW2068	R 2002		RS1/10SR360J
				R 2004		XRS1/10SR123J
				R 2005		XRS1/10SR562J
				R 2006		RS1/10SR360J
	R 1801		XRS1/10SR0R0J			

RESISTORS

<u>Circuit Symbol and No.</u>	<u>Part No.</u>
R 2008	XRS1/10SR123J
R 2009	XRS1/10SR562J
R 2010	RS1/10SR360J
R 2012	XRS1/10SR123J
R 2013	XRS1/10SR562J
R 2014	RS1/10SR360J
R 2016	XRS1/10SR123J
R 2017	XRS1/10SR562J
R 2018	RS1/10SR360J
R 2020	XRS1/10SR151J
R 2021	XRS1/10SR151J
R 2022	RS1/8SQ221J
R 2023	XRS1/10SR151J
R 2024	XRS1/10SR151J
R 2025	RS1/8SQ221J

**CAPACITORS**

C 1801	CKSRYX105K16
C 1802	CKSRYX105K16
C 1851 (A,B,D)	CKSQYX106K10
C 1903	CKSRYX105K16
C 1905	CKSRYX104K50
C 1906	CKSRYX475K16

**C****Unit Number: CWX4269****Unit Name : CD Core Unit(S11.6VA)****MISCELLANEOUS**

IC 201	IC	PEQ094A
IC 301	Driver IC	BD8223EFV
Q 101	Transistor	2SAR502UB
Q 102	Chip Digital Transistor	LTA123JUB
X 201	Ceramic Resonator 16.934 MHz	CSS1603
S 901	Lever Switch(HOME)	CSN1090
S 903	Spring Switch(DSCSNS)	CSN1081
CN101	Connector	CKS4808
CN701	Connector	CKS6146

**RESISTORS**

R 101	RS1/10SR2R4J
R 102	RS1/10SR2R4J
R 103	RS1/10SR2R7J
R 108	RS1/16SS105J
R 109	RS1/16SS152J
R 214	RS1/16SS103J
R 215	RS1/16SS393J
R 216	RS1/16SS102J
R 217	RS1/16SS562J
R 218	RS1/16SS472J
R 229	RS1/16SS471J
R 232	RS1/16SSOR0J
R 237	RS1/16SS221J
R 240	RS1/16SS473J
R 245	RS1/16SS104J
R 254	RS1/16SS104J
R 260	RS1/16SS103J
R 264	RS1/16SS102J
R 281	RS1/16SS560J

<u>Circuit Symbol and No.</u>	<u>Part No.</u>
R 282	RS1/16SS560J
R 291	RS1/16SS560J
R 294	RS1/16SS471J
R 303	RS1/16SS123J
R 304	RS1/16SS123J
R 305	RS1/16SS102J
R 306	RS1/16SS472J
R 307	RS1/16SS102J
R 308	RS1/16SS472J
R 309	RS1/16SS473J
R 310	RS1/16SS472J
R 311	RS1/16SS472J
R 312	RS1/16SS472J
R 313	RS1/16SS472J
R 701	RS1/16SS101J
R 702	RS1/16SS101J
R 706	RS1/16SS221J

**CAPACITORS**

C 104	CKSQYB475K6R3
C 110	CKSSYB104K10
C 111	CKSSYB103K16
C 203	CKSSYB104K10
C 205	CKSRYB105K10
C 209	CKSRYB104K16
C 210	CKSSYB104K10
C 211	CKSSYB104K10
C 212	CKSSYB104K10
C 213	CKSSYB332K50
C 214	CKSSYB473K16
C 215	CKSSYB104K10
C 216	CKSSYB152K50
C 217	CCSSCH390J50
C 218	CCSSCH5R0C50
C 219	CKSSYB104K10
C 220	CKSSYB104K10
C 221	CKSSYB104K10
C 222	CKSSYB104K10
C 223	CCSSCH680J50

C 224	CCSSCH470J50
C 225	CKSSYB103K16
C 228	CCSSCH180J50
C 229	CKSSYB104K10
C 233	CKSSYB103K16

C 236	CKSSYB104K10
C 238	CKSRYB104K16
C 299	CKSSYB104K10
C 302	CKSSYB102K50
C 303	CKSSYB102K50

C 304	CKSSYB223K16
C 305	CKSSYB104K10
C 306	CKSSYB104K10
C 307	CKSRYB105K10
C 308	CKSRYB105K10

C 710	CKSSYB102K50
-------	--------------

**D****Unit Number: CWX4023**

**Circuit Symbol and No. Part No.**  
**Unit Name : CD Core Unit(S11.6STD)**

**Circuit Symbol and No. Part No.**  
 C 213 CKSSYB332K50  
 C 214 CKSSYB473K16  
 C 215 CKSSYB104K10  
 C 216 CKSSYB182K50

**A MISCELLANEOUS**

IC 201 IC PE5791A  
 IC 301 Driver IC BD8223EFV  
 Q 101 Transistor 2SAR502UB  
 Q 102 Chip Digital Transistor LTA123JUB  
 X 201 Ceramic Resonator 16.934 MHz CSS1603

C 217 CCSSCH560J50  
 C 218 CCSSCH4R0C50  
 C 219 CKSSYB104K10  
 C 220 CKSSYB104K10  
 C 221 CKSSYB104K10

S 901 Lever Switch(HOME) CSN1090  
 S 903 Spring Switch(DSCSNS) CSN1081  
 CN101 Connector CKS4808  
 CN701 Connector CKS6146

C 222 CKSSYB104K10  
 C 223 CCSSCH680J50  
 C 224 CCSSCH470J50  
 C 225 CKSSYB103K16  
 C 228 CCSSCH270J50

**B RESISTORS**

R 101 RS1/10SR2R4J  
 R 102 RS1/10SR2R4J  
 R 103 RS1/10SR2R7J  
 R 108 RS1/16SS105J  
 R 109 RS1/16SS222J

C 229 CKSSYB104K10  
 C 233 CKSSYB103K16  
 C 236 CKSSYB104K10  
 C 238 CKSRYB104K16  
 C 299 CKSSYB104K10

R 214 RS1/16SS103J  
 R 215 RS1/16SS393J  
 R 216 RS1/16SS122J  
 R 217 RS1/16SS562J  
 R 218 RS1/16SS472J

C 302 CKSSYB102K50  
 C 303 CKSSYB102K50  
 C 304 CKSSYB223K16  
 C 305 CKSSYB104K10  
 C 306 CKSSYB104K10

**C**

R 229 RS1/16SS471J  
 R 232 RS1/16SS0R0J  
 R 237 RS1/16SS221J  
 R 240 RS1/16SS473J  
 R 245 RS1/16SS104J

C 307 CKSRYB105K10  
 C 308 CKSRYB105K10  
 C 710 CKSSYB102K50

R 254 RS1/16SS104J  
 R 260 RS1/16SS103J  
 R 264 RS1/16SS102J  
 R 281 RS1/16SS560J  
 R 282 RS1/16SS560J

**D**

R 291 RS1/16SS560J  
 R 294 RS1/16SS471J  
 R 303 RS1/16SS123J  
 R 304 RS1/16SS123J  
 R 305 RS1/16SS102J

R 306 RS1/16SS472J  
 R 307 RS1/16SS102J  
 R 308 RS1/16SS472J  
 R 309 RS1/16SS473J  
 R 310 RS1/16SS472J

**E**

R 311 RS1/16SS472J  
 R 312 RS1/16SS472J  
 R 313 RS1/16SS472J  
 R 701 RS1/16SS101J  
 R 702 RS1/16SS101J

R 706 RS1/16SS221J

**CAPACITORS**

C 104 CKSQYB475K6R3  
 C 203 CKSSYB104K10  
 C 209 CKSRYB104K16  
 C 210 CKSSYB104K10  
 C 211 CKSSYB104K10

C 212 CKSSYB104K10