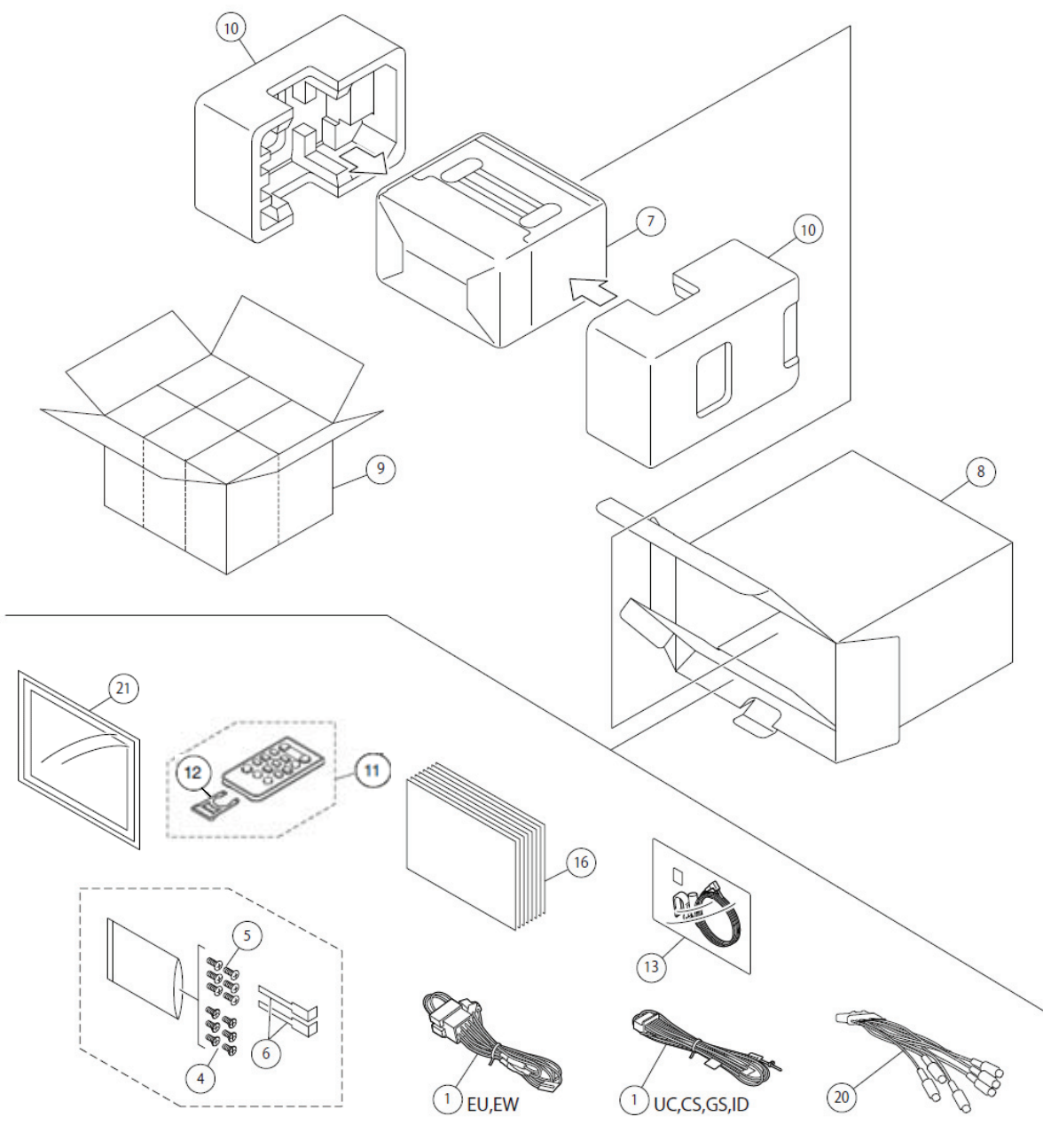


9. EXPLODED VIEWS AND PARTS LIST

- NOTES :
- Parts marked by " * " are generally unavailable because they are not in our Master Spare Parts List.
 - The \triangle mark found on some component parts indicates the importance of the safety factor of the part. Therefore, when replacing, be sure to use parts of identical designation.
 - Screw adjacent to ∇ mark on the product are used for disassembly.
 - For the applying amount of lubricants or glue, follow the instructions in this manual. (In the case of no amount instructions, apply as you think it appropriate.)

9.1 PACKING

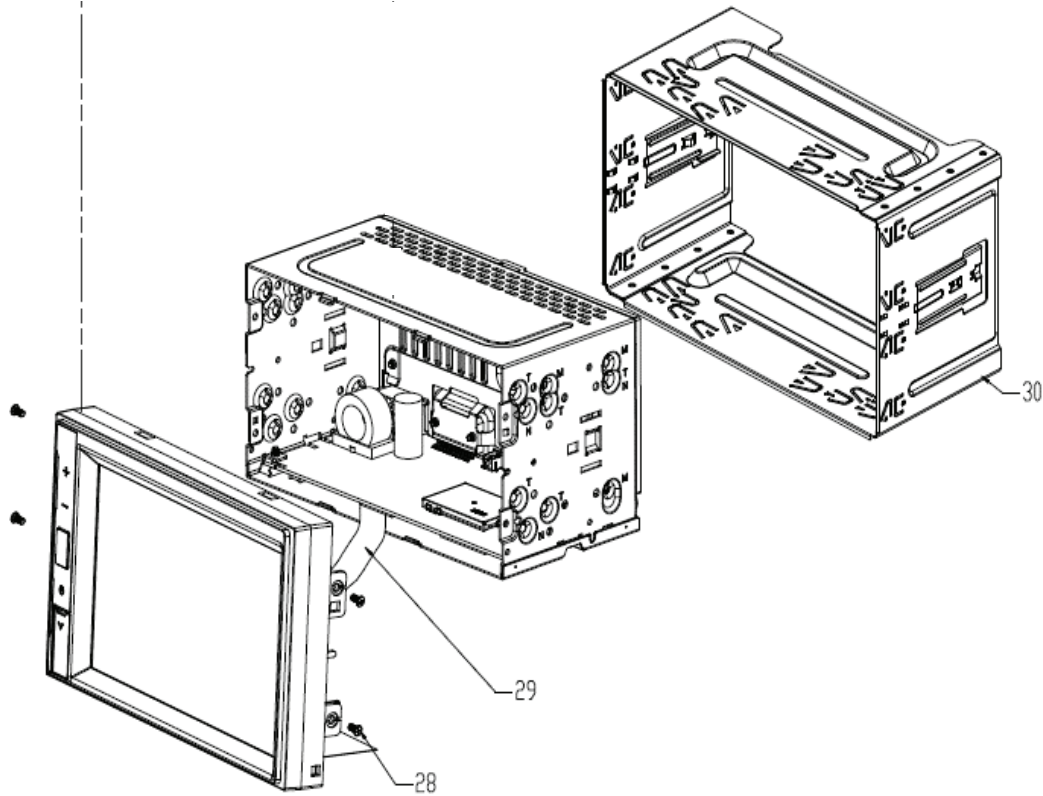
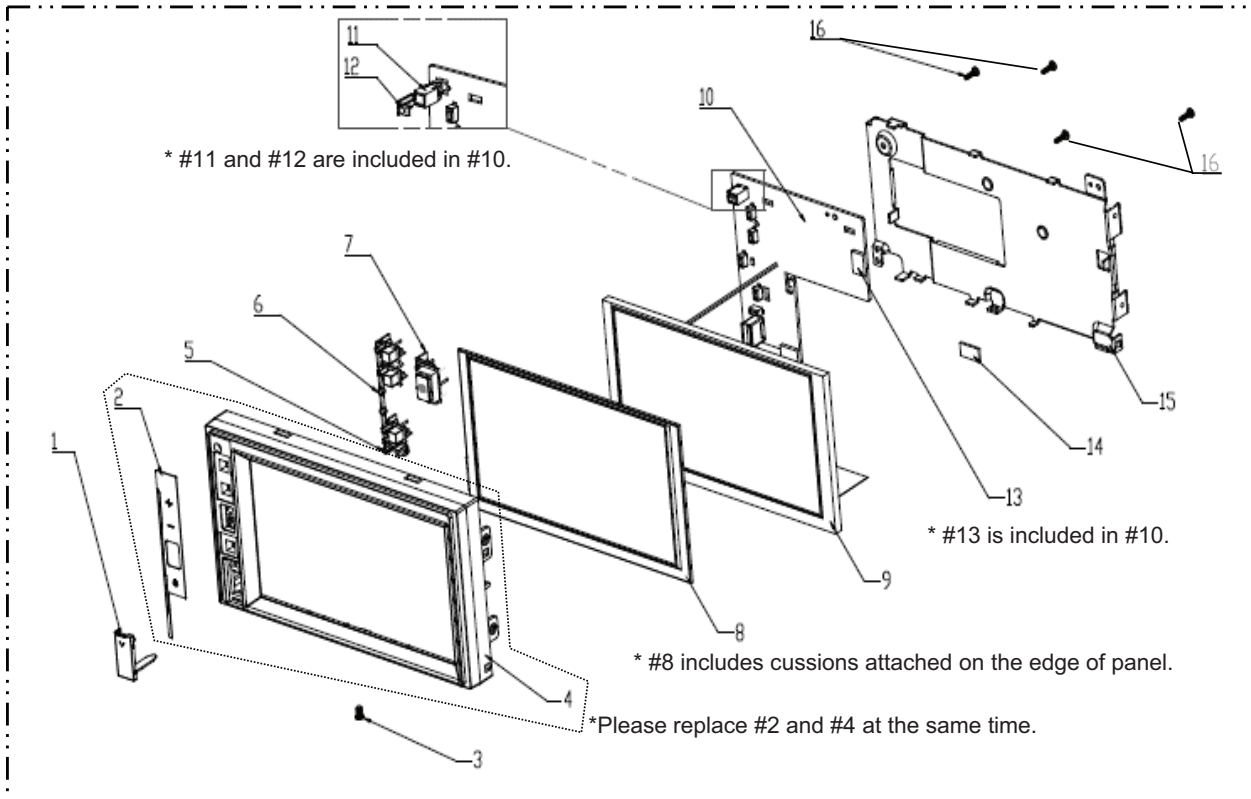


(1) PACKING SECTION PARTS LIST

Mark	No.	Description	DMH-240EX/XNUC	DMH-241EX/XNUC	DMH-A245BT/XECS
	1	Cable POWER	1238400031200	1238400031200	1238400031200
	2	*****			
	3	*****			
	4	Screw (Binding Head)	CBA2384	CBA2384	CBA2384
	5	Screw (Flush Surface)	CBA2383	CBA2383	Not used
	6	Uninstall Key	Not used	Not used	Not used
*	7	Poly Bag	127060000283	127060000283	127060000283
	8	Unit Box	KB003XNUC-UNITBOX	KB003DXNUC-UNITBOX	1270200028400
	9	Contain Box	KB003XNUC-CONTBOX	KB003DXNUC-CONTBOX	1270000093200
*	10	Protector	1270150017300	1270150017300	1270150017300
	11	Card Type RC	Not used	CXE9605	CXE9605
	12	Cover	Not used	CNU3681	CNU3681
	13	Cable MIC	1238400031300	1238400031300	1238400031300
	14	*****			
	15	*****			
	16-1	Owner's Manual	See Contents of Web IM	See Contents of Web IM	See Contents of Web IM
	16-2	Quick Start Guide	QSG_DMH240EXUC_B	QSG_DMH240EXUC_B	1270750040000
	16-3	Installation Manual	INSTM_DMH240EXUC_A	INSTM_DMH240EXUC_A	Not used
*	16-4	Warranty Card	QRY3001	QRY3001	Not used
*	16-5	Caution Card DAB Ant	Not used	Not used	Not used
	17	*****			
	18	*****			
	19	*****			
	20	Cable AV	1238400031100	1238400031100	1238400031100
	21	Panel	Not used	Not used	Not used

Mark	No.	Description	DMH-A240BT/XEEW	DMH-A241BT/XEEW	DMH-A240DAB/XEEU
	1	Cable POWER	1238400031400	1238400031400	1238400031400
	2	*****			
	3	*****			
	4	Screw (Binding Head)	Not used	Not used	Not used
	5	Screw (Flash Surface)	CBA2383	CBA2383	CBA2383
	6	Uninstall Key	1210900004900	1210900004900	1210900004900
*	7	Poly Bag	127060000283	127060000283	127060000283
	8	Unit Box	1270200028200	1270200028300	1270200028600
	9	Contain Box	1270000093000	1270000093100	1270000093400
*	10	Protector	1270150017200	1270150017200	1270150017200
	11	Card Type RC	Not used	CXE9605	Not used
	12	Cover	Not used	CNU3681	Not used
	13	Cable MIC	1238400031300	1238400031300	1238400031300
	14	*****			
	15	*****			
	16-1	Owner's Manual	See Contents of Web IM	See Contents of Web IM	See Contents of Web IM
	16-2	Quick Start Guide	1270750040610	1270750040610	1270750039610
	16-3	Installation Manual	Not used	Not used	Not used
*	16-4	Warranty Card	CYR1241	CYR1241	CYR1241
*	16-5	Caution Card DAB Ant	Not used	Not used	CYR1300
	17	*****			
	18	*****			
	19	*****			
	20	Cable AV	1238400031100	1238400031100	1238400031100
	21	Panel	12127000186000	12127000186000	12127000186000

9.2 EXTERIOR (1)

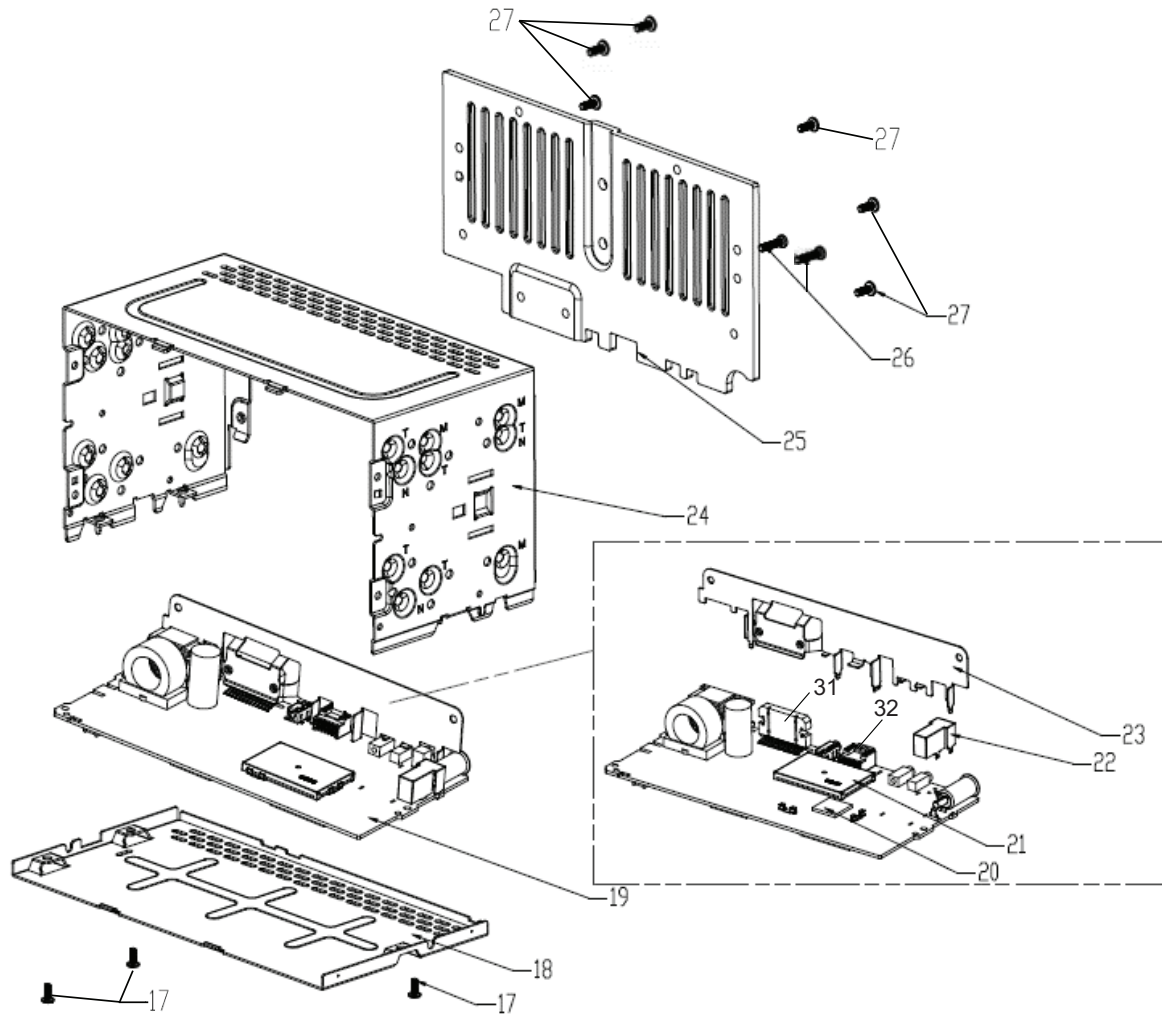


EXTERIOR (1) SECTION PARTS LIST

Mark	No.	Description	DMH-240EX/XNUC	DMH-241EX/XNUC	DMH-A245BT/XECS
	1	Cover	12129000129001	12129000129001	12129000129001MS
	2	Plate	1214650002000	1214650002000	1214650002000
	3	Screw M2.6-L5	121040000222	121040000222	121040000222
	4	Grille	12121000474006	12121000474007	12121000474004S
	5	Button (Reset)	12123000587000	12123000587000	12123000587000MS
	6	Button (VOL)	12123000588000	12123000588000	12123000588000
	7	Button (HOME)	12123000589001	12123000589001	12123000589001
	8	Touch Panel	843HMS107BTFT00	843HMS107BTFT00	843HMS107BTFT00
	9	TFT LCD	1434200010710	1434200010710	1434200010710
	10	Keyboard Unit	FGE2000	FGE2001	840HMS107DKB00S
*	11	Bracket	*****	*****	*****
*	12	IR IC	*****	*****	*****
*	13	Sponge Mat	*****	*****	*****
	14	Plastic Sheet	1214600010200	1214600010200	1214600010200
	15	Bracket	1210000097700	1210000097700	1210000097700MS
	16	Screw M2.0-L8	121045000013	121045000013	121045000013
	28	Screw M2.6-L5	121040000222	121040000222	121040000222
	29	FFC Connector	1238200008300	1238200008300	1238200008300
	30	DIN Holder	Not used	Not used	Not used

Mark	No.	Description	DMH-A240BT/XEEW	DMH-A241BT/XEEW	DMH-A240DAB/XEEU
	1	Cover	12129000129001MS	12129000129001MS	12129000129001MS
	2	Plate	1214650002000S	1214650002000S	1214650002000S
	3	Screw M2.6-L5	121040000222	121040000222	121040000222
	4	Grille	12121000474002S	12121000474003S	12121000474001S
	5	Button (Reset)	12123000587000MS	12123000587000MS	12123000587000MS
	6	Button (VOL)	12123000588000MS	12123000588000MS	12123000588000MS
	7	Button (HOME)	12123000589001MS	12123000589001MS	12123000589001MS
	8	Touch Panel	843HMS107BTFT00	843HMS107BTFT00	843HMS107BTFT00
	9	TFT LCD	1434200010710	1434200010710	1434200010710
	10	Keyboard Unit	840HMS107BKB00S	840HMS107CKB00S	840HMS107AKB00S
*	11	Bracket	*****	*****	*****
*	12	IR IC	*****	*****	*****
*	13	Sponge Mat	*****	*****	*****
	14	Plastic Sheet	1214600010200	1214600010200	1214600010200
	15	Bracket	1210000097700MS	1210000097700MS	1210000097700MS
	16	Screw M2.0-L8	121045000013	121045000013	121045000013
	28	Screw M2.6-L5	121040000222	121040000222	121040000222
	29	FFC Connector	1238200008300	1238200008300	1238200008300
	30	DIN Holder	1210000097200	1210000097200	1210000097200

9.3 EXTERIOR (2)



EXTERIOR (1) SECTION PARTS LIST

Mark	No.	Description	DMH-240EX/XNUC	DMH-241EX/XNUC	DMH-A245BT/XECS
	17	Screw M2.6-L8	BMZ26P080FTC	BMZ26P080FTC	BMZ26P080FTC
	18	Holder	1210000097000	1210000097000	1210000097000MS
	19	Mother Unit	FGE1000	FGE1001	843HMS107DMB00S
*	20	Heat Sink	121410000424	121410000424	121410000424
*	21	Shield Cover	121000025325	121000025325	121000025325
*	22	Shield Case	1210000096800	1210000096800	1210000096800
*	23	Bracket	1210000097100	1210000097100	1210000097100
	24	Frame	1210000096900	1210000096900	1210000096900MS
	25	Heat Sink	1210100011500	1210100011500	1210100011500MS
	26	Screw M2.6-L12	BMZ26P120FTC	BMZ26P120FTC	BMZ26P120FTC
	27	Screw M2.6-L8	BMZ26P080FTC	BMZ26P080FTC	BMZ26P080FTC
	31	Power AMP IC	TCB501HQ	TCB501HQ	TCB501HQ
*	32	Connector	*****	*****	*****