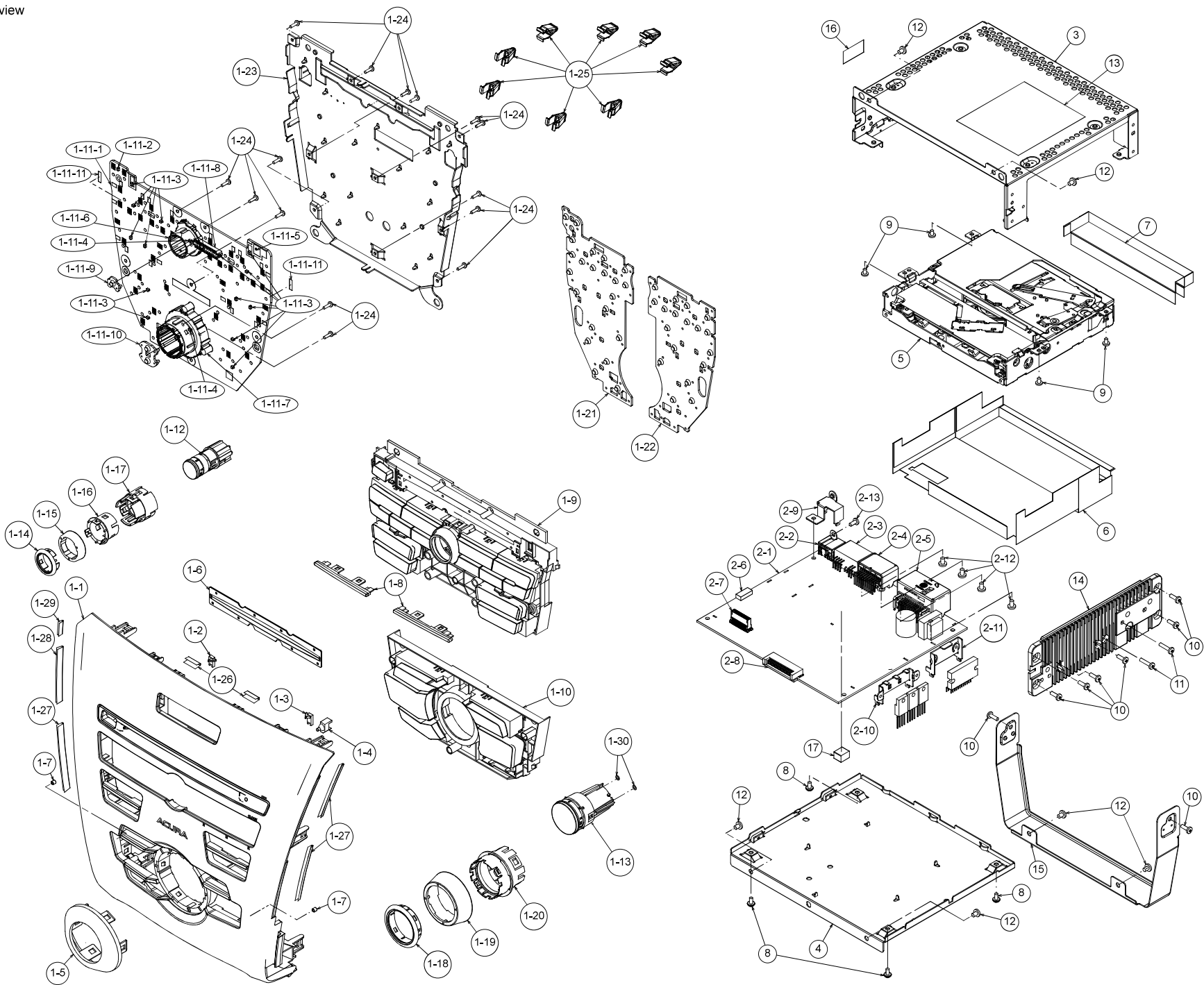


# EXPLODED VIEW / PARTS LIST

## Parts list

NO.	PART NO.	DESCRIPTION	Q'TY	NO.	PART NO.	DESCRIPTION	Q'TY
1	-----	-	-	1-25	335-7317-00	CLIP	8
1-1	370-6718-04	ESCUTCHEON	1	1-26	347-9052-00	CUSHION SHEET	2
1-2	335-9051-01	GUIDE ILLUMI(L)	1	1-27	347-9053-00	CUSHION SHEET	3
1-3	335-9052-01	GUIDE ILLUMI(R)	1	1-28	347-9054-00	CUSHION SHEET	1
1-4	335-9053-01	DISC INDICATOR	1	1-29	347-9052-01	CUSHION SHEET	1
1-5	383-0817-01	RING(TUNE)	1	1-30	746-0888-01	SPACER	2
1-6	346-0279-00	LEATHER SHEET	1	2	-----	-	-
1-7	345-6230-00	RUBBER CAP	2	2-1	-----	MAIN PWB(451400-039)	1
1-8	335-9048-02	RIB	2	2-2	092-2238-00	ANT-RECEPT	1
1-9	948-4005-12	BUTTON ASSY(UP)	1	2-3	074-1168-14	OUTLET SOCKET(GA-NET)	1
1-10	948-4006-02	BUTTON ASSY(LOW)	1	2-4	074-4017-20	OUTLET SOCKET(SUB 20P)	1
1-11	-----	-	1	2-5	074-4026-24	OUTLET SOCKET(MAIN 24P)	1
1-11-1	-----	SW PWB(377501-039)	1	2-6	076-0478-58	PLUG	1
1-11-2	001-7134-63	LED(WHT)	1	2-7	076-3028-40	PLUG(ME 40P)	1
1-11-3	001-7134-64	LED(WHT)	14	2-8	076-3011-76	PLUG(SW 26P)	1
1-11-4	001-7134-65	LED(WHT)	2	2-9	331-5070-00	ANT-HOLDER	1
1-11-5	001-7103-91	DIODE(GRN)	1	2-10	331-5071-00	TR-HOLDER	1
1-11-6	016-7006-00	ROTARY ENCODER(VOL)	1	2-11	331-3459-00	IC HOLDER	1
1-11-7	016-7003-00	ROTARY ENCODER(TUNE)	1	2-12	778-3005-00	TAP SCREW	4
1-11-8	074-3014-76	OUTLET SOCKET	1	2-13	714-2606-8B	MACHINE SCREW	1
1-11-9	345-6532-01	RUBBER SW(C)	1	3	310-1955-10	UPPER CASE	1
1-11-10	345-6533-01	RUBBER SW(D)	1	4	311-2024-00	LOWER CASE	1
1-11-11	347-9137-00	SPACER	2	5	929-5033-80	CD-MECH-MODULE	1
1-12	948-4003-03	BUTTON ASSY(VOL)	1	6	347-8981-01	MECH CVR(BOTTOM)	1
1-13	948-4004-02	BUTTON ASSY(TUNE)	1	7	347-9021-01	MECH CVR(REAR)	1
1-14	383-0813-01	KNOB TOP(VOL)	1	8	716-0878-50	SPECIAL SCREW	4
1-15	345-6528-01	KNOB GRIP(VOL)	1	9	714-2604-8B	MACHINE SCREW	4
1-16	380-5809-01	KNOB(VOL)	1	10	714-2608-8B	MACHINE SCREW	8
1-17	335-9066-03	SPACER	1	11	780-2612-01	SPECIAL-M-SCREW	2
1-18	383-0814-01	KNOB TOP(TUNE)	1	12	714-3004-8B	MACHINE SCREW	6
1-19	345-6529-01	KNOB GRIP(TUNE)	1	13	276-0928-42	SETPLATE	1
1-20	380-5810-01	KNOB(TUNE)	1	14	313-2129-01	HEAT SINK	1
1-21	345-6530-01	RUBBER SW(A)	1	15	331-5084-01	SUPPORT PLATE	1
1-22	345-6531-01	RUBBER SW(B)	1	16	347-8899-00	SHADE	1
1-23	331-5082-11	ES PLATE ASSY	1	17	345-6341-00	GASKET	1
1-24	716-0778-52	SPECIAL SCREW	15				

Exploded view



# ELECTRICAL PARTS LIST

## MAIN PWB(B1) section

\* Neither the part numbers of parts on which software is written, nor part numbers of parts for which replacement is prohibited in the production process are listed in the parts list.

REF. NO.	PART NO.	DESCRIPTION	REF. NO.	PART NO.	DESCRIPTION	REF. NO.	PART NO.	DESCRIPTION
ANT101	092-2238-00	ANT-RECEPT	C253	046-1042-78	0.1uF K B	C518	046-1042-78	0.1uF K B
C109	166-1201-50	12pF CH	C254	043-0552-90	6.3V 47uF M	C519	165-2263-15	6.3V 22uF
C112	045-2201-50	22pFJ CH	C255	046-1042-78	0.1uF K B	C520	043-8000-90	50V 0.1uF
C113	046-1022-58	50V 1000pF	C256	046-1042-78	0.1uF K B	C521	165-1053-65	50V 1uF
C114	045-4796-50	4.7pFJ CH	C257	046-1042-78	0.1uF K B	C522	046-1022-58	50V 1000pF
C115	046-1022-58	50V 1000pF	C258	168-1052-78	16V 1uF K	C523	168-2222-55	2200pF K
C116	045-1501-50	15pFJ CH	C259	046-1042-78	0.1uF K B	C524	168-4722-55	4700pF K
C120	045-3901-50	39pFJ CH	C260	046-1042-78	0.1uF K B	C527	168-2222-55	2200pF K
C121	045-1011-50	100pFJ CH	C261	043-0552-90	6.3V 47uF M	C529	043-0552-90	6.3V 47uF M
C122	045-1211-50	120pFJ CH	C262	046-1042-78	0.1uF K B	C530	046-1022-58	50V 1000pF
C123	046-3922-58	3900pF K B	C263	046-1042-78	0.1uF K B	C531	046-1042-78	0.1uF K B
C124	046-1022-58	50V 1000pF	C264	046-1042-78	0.1uF K B	C532	168-1022-55	1000pF K
C125	046-1042-78	0.1uF K B	C265	045-4711-50	470pFJ CH	C533	168-1022-55	1000pF K
C126	168-3342-58	0.33uF K	C266	046-1042-78	0.1uF K B	C534	168-1022-55	1000pF K
C127	046-1032-78	0.01uF K B	C268	046-1042-78	0.1uF K B	C535	168-1022-55	1000pF K
C128	046-1032-78	0.01uF K B	C269	046-3322-58	3300pF K B	C536	168-1022-55	1000pF K
C129	045-3096-50	3pF +/-0.25pF CH	C271	046-3322-58	3300pF K B	C537	168-1022-55	1000pF K
C130	046-3322-58	3300pF K B	C272	046-3322-58	3300pF K B	C542	042-4227-00	16V 3300uF
C131	046-2232-78	0.022uF K B	C273	046-3322-58	3300pF K B	C539	043-8000-90	50V 0.1uF
C132	046-1022-58	50V 1000pF	C275	042-0643-58	6.3V 330uF	C541	168-2222-55	2200pF K
C133	046-2232-78	0.022uF K B	C276	046-1042-78	0.1uF K B	C546	166-1201-50	12pF CH
C134	165-4763-35	16V 47uF	C278	046-1522-58	1500pF K B	C551	046-1042-78	0.1uF K B
C135	168-2242-58	0.22uF K	C279	046-1522-58	1500pF K B	C604	042-1769-90	6.3V 220uF M
C136	046-2232-78	0.022uF K B	C280	046-1522-58	1500pF K B	C605	046-1042-78	0.1uF K B
C137	046-2232-78	0.022uF K B	C281	046-1522-58	1500pF K B	C607	046-1022-58	50V 1000pF
C138	046-2232-78	0.022uF K B	C282	046-1022-58	50V 1000pF	C608	168-3342-58	0.33uF K
C139	046-2232-78	0.022uF K B	C301	046-1042-78	0.1uF K B	C609	165-4763-15	6.3V 47uF
C151	165-1063-35	16V 10uF	C303	165-4753-55	35V 4.7uF	C610	046-1042-78	0.1uF K B
C154	168-3342-58	0.33uF K	C305	046-1042-78	0.1uF K B	C611	046-1022-58	50V 1000pF
C201	043-0548-50	10V 2.2uF	C306	046-1032-78	0.01uF K B	C612	168-3342-58	0.33uF K
C202	043-0548-50	10V 2.2uF	C307	046-1032-78	0.01uF K B	C613	168-1042-38	50V 0.1uF K
C203	043-0548-50	10V 2.2uF	C308	165-4753-55	35V 4.7uF	C614	165-1063-35	16V 10uF
C204	043-0548-50	10V 2.2uF	C309	046-1042-78	0.1uF K B	C615	165-4763-15	6.3V 47uF
C205	043-0548-50	10V 2.2uF	C310	042-1737-90	6.3V 1000uF M	C616	046-1042-78	0.1uF K B
C206	043-0548-50	10V 2.2uF	C311	045-6097-50	6pF +/-0.5pF CH	C617	046-1042-78	0.1uF K B
C207	043-0548-50	10V 2.2uF	C312	042-1737-90	6.3V 1000uF M	C619	165-4763-15	6.3V 47uF
C208	043-0548-50	10V 2.2uF	C313	045-1201-50	12pFJ CH	C620	046-1042-78	0.1uF K B
C209	043-0548-50	10V 2.2uF	C314	046-6822-58	6800pF K B	C621	165-4763-15	6.3V 47uF
C210	043-0548-50	10V 2.2uF	C315	046-1042-78	0.1uF K B	C622	046-1042-78	0.1uF K B
C211	165-4753-55	35V 4.7uF	C316	046-1032-78	0.01uF K B	C624	046-1042-78	0.1uF K B
C212	165-4753-55	35V 4.7uF	C317	046-1042-78	0.1uF K B	C625	168-1042-38	50V 0.1uF K
C213	045-1011-50	100pFJ CH	C318	168-1032-55	0.01uF K	C626	165-1073-35	16V 100uF
C214	045-1011-50	100pFJ CH	C319	165-1063-35	16V 10uF	C627	045-1011-50	100pFJ CH
C215	045-1011-50	100pFJ CH	C320	045-1011-50	100pFJ CH	C630	168-3342-58	0.33uF K
C216	045-1011-50	100pFJ CH	C322	045-1011-50	100pFJ CH	C631	165-1073-35	16V 100uF
C217	045-1011-50	100pFJ CH	C323	045-1011-50	100pFJ CH	C632	042-1769-90	6.3V 220uF M
C222	045-1011-50	100pFJ CH	C324	045-1211-50	120pFJ CH	C633	165-1073-35	16V 100uF
C223	045-1011-50	100pFJ CH	C325	046-1032-78	0.01uF K B	C634	046-1042-78	0.1uF K B
C224	045-1011-50	100pFJ CH	C326	046-1032-78	0.01uF K B	C635	046-1042-78	0.1uF K B
C225	045-1011-50	100pFJ CH	C327	046-1032-78	0.01uF K B	C636	046-1042-78	0.1uF K B
C226	045-1011-50	100pFJ CH	C328	046-1032-78	0.01uF K B	C637	046-1042-78	0.1uF K B
C227	046-1042-78	0.1uF K B	C336	046-1032-78	0.01uF K B	C638	165-1073-35	16V 100uF
C228	046-1042-78	0.1uF K B	C449	178-4742-78	0.47uF	C641	168-1042-38	50V 0.1uF K
C229	046-2232-78	0.022uF K B	C450	178-4742-78	0.47uF	C642	165-1053-65	50V 1uF
C230	046-2232-78	0.022uF K B	C451	178-4742-78	0.47uF	C643	043-8000-90	50V 0.1uF
C231	046-2232-78	0.022uF K B	C452	178-4742-78	0.47uF	C644	165-4763-35	16V 47uF
C232	046-2232-78	0.022uF K B	C453	168-1052-78	16V 1uF K	C645	045-1011-50	100pFJ CH
C233	046-1042-78	0.1uF K B	C458	042-1755-90	16V 47uF	C646	045-1011-50	100pFJ CH
C234	046-1042-78	0.1uF K B	C461	043-0566-90	50V 2.2uF K	C718	165-1073-35	16V 100uF
C235	046-1042-78	0.1uF K B	C465	168-1052-78	16V 1uF K	C719	046-1042-78	0.1uF K B
C236	045-1007-50	10 +/-0.5pF CH	C478	168-3312-55	330pF K	C801	043-6400-90	16V 4.7uF K
C238	046-1042-78	0.1uF K B	C479	168-3312-55	330pF K	C802	043-6400-90	16V 4.7uF K
C239	045-1007-50	10 +/-0.5pF CH	C501	168-2212-55	220pF K	C803	043-6400-90	16V 4.7uF K
C240	165-4753-55	35V 4.7uF	C502	168-2212-55	220pF K	C804	043-6400-90	16V 4.7uF K
C242	165-2263-15	6.3V 22uF	C504	168-1022-55	1000pF K	C813	166-1011-50	100pF CH
C243	046-4732-78	0.047uF K B	C505	168-1042-38	50V 0.1uF K	C814	166-1011-50	100pF CH
C245	042-1769-90	6.3V 220uF M	C506	168-1022-55	1000pF K	C815	166-1011-50	100pF CH
C246	046-1042-78	0.1uF K B	C507	168-1042-38	50V 0.1uF K	C816	166-1011-50	100pF CH
C247	046-1042-78	0.1uF K B	C508	166-1011-50	100pF CH	C817	043-0603-90	16V 10uF
C249	165-4753-55	35V 4.7uF	C509	166-1011-50	100pF CH	C818	043-0603-90	16V 10uF
C250	046-1042-78	0.1uF K B	C511	046-1032-78	0.01uF K B	C819	043-0603-90	16V 10uF
C251	046-1042-78	0.1uF K B	C516	045-1011-50	100pFJ CH	C820	043-0603-90	16V 10uF
C252	042-1769-90	6.3V 220uF M	C517	046-1042-78	0.1uF K B	C821	166-1011-50	100pF CH

REF. NO.	PART NO.	DESCRIPTION	REF. NO.	PART NO.	DESCRIPTION	REF. NO.	PART NO.	DESCRIPTION
C822	166-1011-50	100pF CH	IC301	-----	(Exposed die pad) L504 010-3105-62 1k ohm/100MHz			
C823	166-1011-50	100pF CH	L505	010-3105-62	1k ohm/100MHz			
C824	166-1011-50	100pF CH	L506	010-3105-62	1k ohm/100MHz			
C825	166-1011-50	100pF CH	L512	010-3105-62	1k ohm/100MHz			
C826	166-1011-50	100pF CH	L601	010-3406-66	22uH J			
C827	043-0603-90	16V 10uF	L602	010-3104-54	600 ohm/100MHz			
C828	168-2222-55	2200pF K	L700	010-3114-92	600ohm/100MHz			
C829	165-4763-35	16V 47uF	L702	010-3114-92	600ohm/100MHz			
C830	046-1042-78	0.1uF K B	L703	010-3114-92	600ohm/100MHz			
CCT201	050-0140-51	1/32W 22 ohm x4J	L704	010-3114-92	600ohm/100MHz			
CCT301	050-0140-57	1/32W 10k ohm x4J	P301	076-0478-58	8P			
CCT302	050-0140-58	1/32W 470 ohm x4J	P302	076-3011-76	26P			
D101	001-9013-90	BA891	P701	076-3028-40	40P			
D103	001-0516-90	MA111	Q201	125-7005-90	PHK04P02T			
D302	001-4301-32	HZU 5.6B2	Q301	192-4081-00	2SC4081			
D303	001-4305-25	UDZSTE-17 9.1B	Q302	192-4081-00	2SC4081			
D304	001-0516-90	MA111	Q401	125-2027-91	DTC114EUA			
D306	001-0535-90	MA729	Q501	192-5810-00	2SC5810 TE12L			
D307	001-0516-90	MA111	Q504	192-4081-00	2SC4081			
D308	001-9210-50	AVR-	Q505	192-2412-00	2SC2412			
D309	001-9210-50	AVR-	Q506	192-4081-00	2SC4081			
D310	001-9210-50	AVR-	Q507	191-1197-50	2SB1197K Q,R			
D311	001-9210-50	AVR-	Q508	190-2088-00	2SA2088-T106			
D312	001-9210-50	AVR-	Q509	190-2088-00	2SA2088-T106			
D313	001-9210-50	AVR-	Q510	192-2412-00	2SC2412			
D314	001-9210-50	AVR-	Q512	192-4081-00	2SC4081			
D501	001-9210-50	AVR-	Q609	192-4081-00	2SC4081			
D502	001-4305-32	UDZSTE-17 18B	Q610	190-2071-00	2SA2071			
D503	001-9210-50	AVR-	Q611	192-5810-00	2SC5810 TE12L			
D504	001-9210-50	AVR-	Q612	192-4081-00	2SC4081			
D505	001-9210-50	AVR-	Q613	190-2071-00	2SA2071			
D506	001-4305-20	UDZSTE-17 5.6B	Q614	125-2027-91	DTA114			

REF. NO.	PART NO.	DESCRIPTION	REF. NO.	PART NO.	DESCRIPTION	REF. NO.	PART NO.	DESCRIPTION	REF. NO.	PART NO.	DESCRIPTION	REF. NO.	PART NO.	DESCRIPTION	REF. NO.	PART NO.	DESCRIPTION
R220	033-1031-15	1/16W 10k ohm J	R346	033-3331-15	1/16W 33k ohm J	R544	116-1021-15	1/4W 1k ohm	R824	033-1231-15	1/16W 12k ohm J	R846	033-4731-15	1/16W 47k ohm J	R862	119-0000-05	1/10W 0 ohm JW
R221	032-0210-54	1/10W 33k ohm 1%	R347	033-1031-15	1/16W 10k ohm J	R545	116-2221-15	1/4W 2.2k ohm	R825	033-1021-15	1/16W 1k ohm J	R847	033-9121-15	1/16W 9.1k ohm 5%	R863	119-0000-05	1/10W 0 ohm JW
R222	032-0210-54	1/10W 33k ohm 1%	R349	033-3331-15	1/16W 33k ohm J	R546	033-4721-15	1/16W 4.7k ohm J	R826	033-1021-15	1/16W 1k ohm J				R864	119-0000-05	1/10W 0 ohm JW
R223	033-1031-15	1/16W 10k ohm J	R350	033-3331-15	1/16W 33k ohm J	R547	033-4721-15	1/16W 4.7k ohm J	R827	033-1021-15	1/16W 1k ohm J	R848	033-4731-15	1/16W 47k ohm J	R865	119-0000-05	1/10W 0 ohm JW
R224	032-0210-54	1/10W 33k ohm 1%	R351	033-3331-15	1/16W 33k ohm J	R548	033-1031-15	1/16W 10k ohm J	R828	033-1021-15	1/16W 1k ohm J	R849	033-4731-15	1/16W 47k ohm J	R867	119-0000-05	1/10W 0 ohm JW
R225	032-0210-54	1/10W 33k ohm 1%	R352	033-4721-15	1/16W 4.7k ohm J	R549	033-1031-15	1/16W 10k ohm J	R829	032-0221-82	1/16W 3k ohm 1%	R850	033-9121-15	1/16W 9.1k ohm 5%	R868	119-0000-05	1/10W 0 ohm JW
R226	119-2201-15	1/10W 22 ohm	R353	033-4721-15	1/16W 4.7k ohm J	R550	033-4721-15	1/16W 4.7k ohm J	R830	032-0221-82	1/16W 3k ohm 1%				R869	119-0000-05	1/10W 0 ohm JW
R227	119-0000-05	1/10W 0 ohm JW	R355	033-1531-15	1/16W 15k ohm J	R551	033-4721-15	1/16W 4.7k ohm J	R831	032-0221-82	1/16W 3k ohm 1%	R851	033-4731-15	1/16W 47k ohm J	R872	119-0000-05	1/10W 0 ohm JW
R228	119-0000-05	1/10W 0 ohm JW	R356	119-1041-15	1/10W 100k ohm	R552	033-1031-15	1/16W 10k ohm J	R832	032-0221-82	1/16W 3k ohm 1%	R852	033-1031-15	1/16W 10k ohm J	SP7101	060-0112-91	DSP-141N-S00B
R229	032-0210-52	1/10W 10k ohm F	R357	033-3931-15	1/16W 39k ohm J	R553	033-1031-15	1/16W 10k ohm J	R833	033-1231-15	1/16W 12k ohm J	R853	033-1031-15	1/16W 10k ohm J	T501	009-0670-80	180uH
R230	032-0210-52	1/10W 10k ohm F	R359	033-4721-15	1/16W 4.7k ohm J	R554	033-1031-15	1/16W 10k ohm J	R834	033-1231-15	1/16W 12k ohm J	R854	033-1031-15	1/16W 10k ohm J	TC301	004-1589-51	10pF
R231	032-0210-52	1/10W 10k ohm F	R360	033-4721-15	1/16W 4.7k ohm J	R565	033-3321-15	1/16W 3.3k ohm J	R835	033-1231-15	1/16W 12k ohm J	R855	033-9121-15	1/16W 9.1k ohm 5%	TH602	002-0318-21	THERMISTOR
R232	032-0210-52	1/10W 10k ohm F	R361	033-4721-15	1/16W 4.7k ohm J	R566	033-1031-15	1/16W 10k ohm J	R836	033-1231-15	1/16W 12k ohm J				TH603	002-0318-21	THERMISTOR
R233	032-0210-52	1/10W 10k ohm F	R362	033-4721-15	1/16W 4.7k ohm J	R567	033-1031-15	1/16W 10k ohm J	R840	033-1031-15	1/16W 10k ohm J	R856	033-9121-15	1/16W 9.1k ohm 5%	X201	061-3537-90	41.6MHz
R234	032-0210-52	1/10W 10k ohm F	R364	119-1541-15	1/10W 150k ohm	R568	116-0000-05	1/4W 0 ohm JW	R841	033-1031-15	1/16W 10k ohm J				X301	061-3574-90	3.981312MHz
R235	119-0000-05	1/10W 0 ohm JW	R365	033-3331-15	1/16W 33k ohm J	R612	116-2221-15	1/4W 2.2k ohm	R842	033-3931-15	1/16W 39k ohm J				PWB	039-4514-00	PWB(WITHOUT COMPONENTS)
R236	119-0000-05	1/10W 0 ohm JW	R366	032-0140-88	1/10W 100k ohm F	R614	033-1031-15	1/16W 10k ohm J	R843	033-3931-15	1/16W 39k ohm J						
R237	033-1011-15	1/16W 10k ohm J	R370	033-1021-15	1/16W 1k ohm J	R615	116-2221-15	1/4W 2.2k ohm	R844	033-1031-15	1/16W 10k ohm J						
R238	033-1011-15	1/16W 100 ohm J	R371	033-1021-15	1/16W 1k ohm J	R616	033-1031-15	1/16W 10k ohm J	R845	033-1031-15	1/16W 10k ohm J						
R239	033-1031-15	1/16W 10k ohm J	R372	033-1021-15	1/16W 1k ohm J	R618	033-3321-15	1/16W 3.3k ohm J									
R240	033-1011-15	1/16W 100 ohm J	R373	033-6831-15	1/16W 68k ohm J	R619	033-4731-15	1/16W 47k ohm J									
R241	119-0000-05	1/10W 0 ohm JW	R374	033-6831-15	1/16W 68k ohm J	R621	033-3321-15	1/16W 3.3k ohm J									
R242	119-0000-05	1/10W 0 ohm JW	R375	033-3331-15	1/16W 33k ohm J	R622	033-4721-15	1/16W 4.7k ohm J									
R243	119-1001-15	1/10W 10 ohm	R376	033-3331-15	1/16W 33k ohm J	R624	116-2221-15	1/4W 2.2k ohm									
R245	033-1021-15	1/16W 1k ohm J	R377	033-3331-15	1/16W 33k ohm J	R625	033-4731-15	1/16W 47k ohm J									
R246	033-1021-15	1/16W 1k ohm J	R378	033-3331-15	1/16W 33k ohm J	R626	033-1031-15	1/16W 10k ohm J									
R247	033-1021-15	1/16W 1k ohm J	R379	033-1031-15	1/16W 10k ohm J	R627	116-2221-15	1/4W 2.2k ohm									
R248	033-1021-15	1/16W 1k ohm J	R380	033-1031-15	1/16W 10k ohm J	R628	033-1031-15	1/16W 10k ohm J				D855	001-7134-64	NH5B046A-HC14-TKMLP5LP3*3-27505	R860	119-0000-05	1/10W 0 ohm JW
R249	033-1011-15	1/16W 100 ohm J	R381	033-1031-15	1/16W 10k ohm J	R629	033-3321-15	1/16W 3.3k ohm J							R865	119-0000-05	1/10W 0 ohm JW
R250	033-1011-15	1/16W 100 ohm J	R382	033-1031-15	1/16W 10k ohm J	R630	119-1021-15	1/10W 1k ohm							R866	119-1011-15	1/10W 100 ohm
R251	119-0000-05	1/10W 0 ohm JW	R383	033-1031-15	1/16W 10k ohm J	R631	033-1021-15	1/16W 1k ohm J				D856	001-7134-64	NH5B046A-HC14-TKMLP5LP3*3-27505	R867	119-1011-15	1/10W 100 ohm
R252	119-0000-05	1/10W 0 ohm JW	R384	033-1031-15	1/16W 10k ohm J	R632	033-1031-15	1/16W 10k ohm J							R868	119-1011-15	1/10W 100 ohm
R253	119-1001-15	1/10W 10 ohm	R385	033-1011-15	1/16W 10k ohm J	R633	033-1031-15	1/16W 10k ohm J							R869	119-1011-15	1/10W 100 ohm
R301	033-3331-15	1/16W 33k ohm J	R386	033-1011-15	1/16W 10k ohm J	R635	033-3321-15	1/16W 3.3k ohm J				D857	001-7134-64	NH5B046A-HC14-TKMLP5LP3*3-27505	R870	119-1011-15	1/10W 100 ohm
R302	033-1031-15	1/16W 10k ohm J	R387	033-4711-15	1/16W 47k ohm J	R637	033-3331-15	1/16W 33k ohm J							R871	119-2711-15	1/10W 270 ohm
R303	033-0000-05	1/16W 0 ohm	R388	033-4711-15	1/16W 47k ohm J	R642	033-1021-15	1/16W 1k ohm J				D858	001-7134-64	NH5B046A-HC14-TKMLP5LP3*3-27505	R872	119-1011-15	1/10W 100 ohm
R304	033-3331-15	1/16W 33k ohm J	R389	033-1031-15	1/16W 10k ohm J	R643	033-1031-15	1/16W 10k ohm J							R873	119-1011-15	1/10W 100 ohm
R305	033-3331-15	1/16W 33k ohm J	R390	033-1011-15	1/16W 10k ohm J	R644	033-1031-15	1/16W 10k ohm J							R874	119-1011-15	1/10W 100 ohm
R306	033-3331-15	1/16W 33k ohm J	R391	033-1011-15	1/16W 10k ohm J	R645	033-3321-15	1/16W 3.3k ohm J				D859	001-7134-64	NH5B046A-HC14-TKMLP5LP3*3-27505	R875	119-1011-15	1/10W 100 ohm
R307	033-3331-15	1/16W 33k ohm J	R392	033-1031-15	1/16W 10k ohm J	R648	033-4731-15	1/16W 47k ohm J							R876	119-1011-15	1/10W 100 ohm
R308	033-4731-15	1/16W 47k ohm J	R393	033-1031-15	1/16W 10k ohm J	R651	033-4731-15	1/16W 47k ohm J							R877	119-1011-15	1/10W 100 ohm
R309	033-3331-15	1/16W 33k ohm J	R452	033-1031-15	1/16W 10k ohm J	R652	033-4731-15	1/16W 47k ohm J							R878	119-1011-15	1/10W 100 ohm
R310	033-1041-15	1/16W 100k ohm J	R476	119-3331-15	1/10W 33k ohm	R653	032-0231-52	1W 33 ohm				D860	001-7134-64	NH5B046A-HC14-TKMLP5LP3*3-27505	R879	119-1011-15	1/10W 100 ohm
R3101	033-1021-15	1/16W 1k ohm J	R479	033-0000-05	1/16W 0 ohm	R654	032-0231-52	1W 33 ohm							R880	119-1011-15	1/10W 100 ohm
R3102	033-1021-15	1/16W 1k ohm J	R480	033-0000-05	1/16W 0 ohm	R658	033-4731-15	1/16W 47k ohm J							R882	119-1221-15	1/10W 1.2k ohm
R3103	033-1021-15	1/16W 1k ohm J	R493	119-4721-15	1/10W 4.7k ohm	R659	119-0000-05	1/10W 0 ohm JW				D863	001-7134-64	NH5B046A-HC14-TKMLP5LP3*3-27505	R883	119-1221-15	1/10W 1.2k ohm
R3104	033-1021-15	1/16W 1k ohm J	R494	119-4721-15	1/10W 4.7k ohm	R701	033-0000-05	1/16W 0 ohm							R884	119-1221-15	1/10W 1.2k ohm
R3105	033-1021-15	1/16W 1k ohm J	R495	119-4721-15	1/10W 4.7k ohm	R702	033-0000-05	1/16W 0 ohm				D864	001-7134-64	NH5B046A-HC14-TKMLP5LP3*3-27505	R885	119-1221-15	1/10W 1.2k ohm
R3106	033-1021-15	1/16W 1k ohm J	R496	119-4721-15	1/10W 4.7k ohm	R703	033-1021-15	1/16W 1k ohm J							R886	119-2221-15	1/10W 2.2k ohm
R3107	033-1011-15	1/16W 100 ohm J	R498	033-3321-15	1/16W 3.3k ohm J	R704	033-1021-15	1/16W 1k ohm J				D865	001-7134-64	NH5B046A-HC14-TKMLP5LP3*3-27505	R887	119-2221-15	1/10W 2.2k ohm
R3108	033-1011-15	1/16W 100 ohm J	R499	119-0000-05	1/10W 0 ohm JW	R705	033-1021-15	1/16W 1k ohm J							R888	119-2221-15	1/10W 2.2k ohm
R3109	033-4721-15	1/16W 4.7k ohm J	R501	116-1211-15	1/4W 120 ohm	R706	033-1021-15	1/16W 1k ohm J							R889	119-2221-15	1/10W 2.2k ohm
R311	033-1031-15	1/16W 10k ohm J	R502	033-1031-15	1/16W 10k ohm J	R707	033-1021-15	1/16W 1k ohm J				D866	001-7134-64	NH5B046A-HC14-TKMLP5LP3*3-27505	R890	119-2221-15	1/10W 2.2k ohm
R312	033-6831-15	1/16W 68k ohm J	R503	033-3321-15	1/16W 3.3k ohm J	R708	033-0000-05	1/16W 0 ohm							R891	119-2221-15	1/10W 2.2k ohm
R313	033-6831-15	1/16W 68k ohm J	R505	116-6801-15	1/4W 68 ohm	R709	033-1021-15	1/16W 1k ohm J				D867	001-7134-65	NH5B046A-HC14-TKMLP5LP3*14-36505	R892	119-2221-15	1/10W 2.2k ohm
R314	033-1031-15	1/16W 10k ohm J	R506	116-1011-15	1/4W 100 ohm	R710	033-1021-15	1/16W 1k ohm J							R893	119-2221-15	1/10W 2.2k ohm
R315	033-4731-15	1/16W 47k ohm J	R507	116-1011-15	1/4W 100 ohm	R711	033-0000-05	1/16W 0 ohm							R894	119-1221-15	1/10W 1.2k ohm
R316	033-1231-15	1/16W 12k ohm J	R508	032-0209-50	1/4W 82 ohm D	R712	033-1021-15	1/16W 1k ohm J							R895	119-1221-15	1/10W 1.2k ohm
R317	033-6821-15	1/16W 6.8k ohm J	R510	119-0000-05	1/10W 0 ohm JW	R713	033-1021-15	1/16W 1k ohm J									