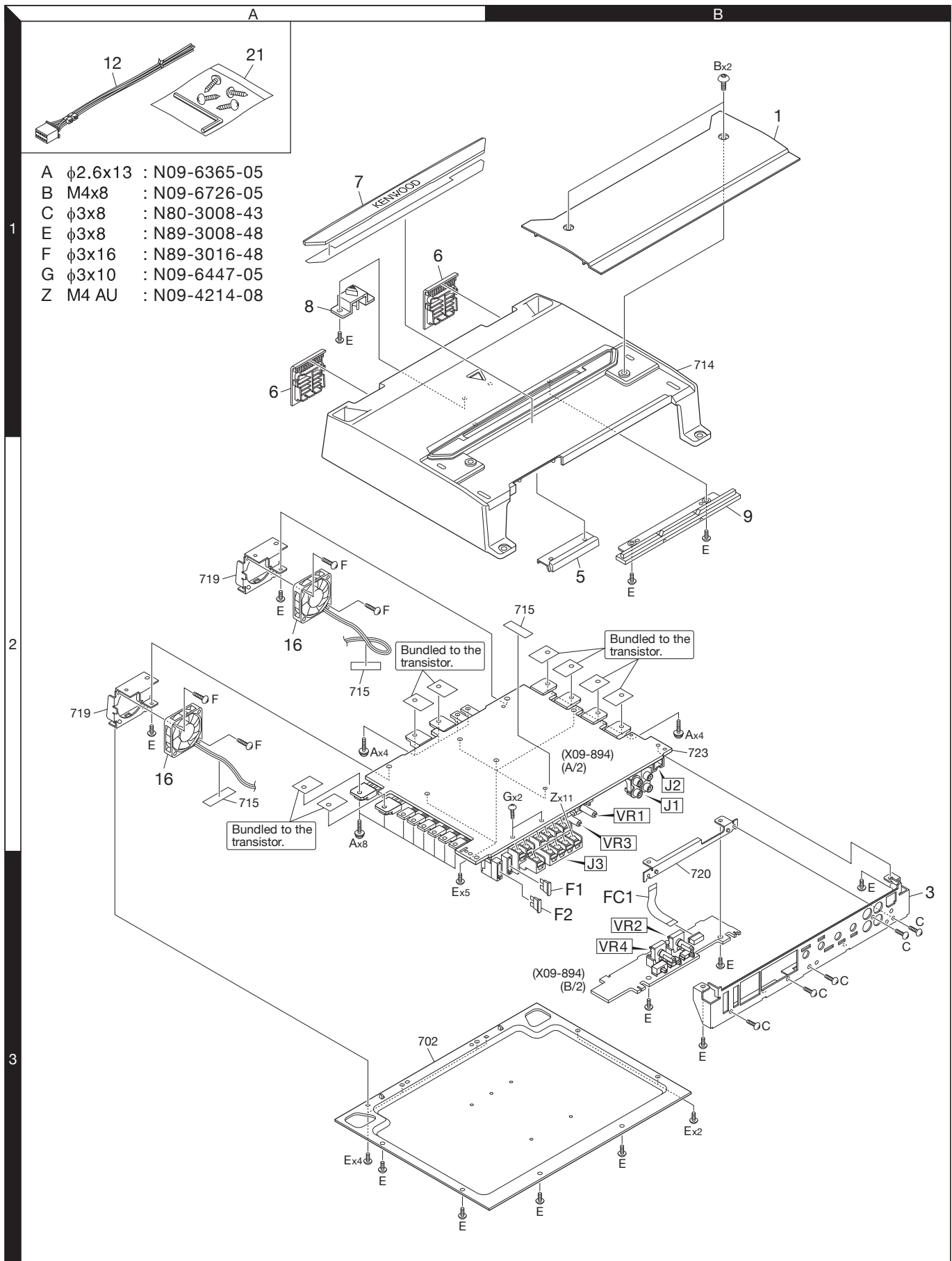


EXPLODED VIEW



Parts with the exploded numbers larger than 700 are not supplied.

PARTS LIST

* New parts

Parts without **Parts No.** are not supplied.

Les articles non mentionnés dans le **Parts No.** ne sont pas fournis.

Teile ohne **Parts No.** werden nicht geliefert.

Ref. No.	Ad	New	Parts No.	Description	Desti- nation	Ref. No.	Ad	New	Parts No.	Description	Desti- nation
KAC-8405/9405/9405M											
1	1B	*	A21-6752-01	DRESSING PANEL	K	C109,110			CC73GCH1H101J	CHIP C 100PF	J
1	1B	*	A21-6753-01	DRESSING PANEL	E1	C111,112			CC73GCH1H150J	CHIP C 15PF	J
1	1B		A21-6782-01	DRESSING PANEL	M1M2	C113,114			CC73GCH1H101J	CHIP C 100PF	J
3	3B	*	A64-5024-02	PANEL		C117			CD04AT1C470M	ELECTRO 47UF	16WV
5	2B	*	B07-3337-03	ESCUTCHEON		C118			CD04AS1C470M	ELECTRO 47UF	16WV
6	1A	*	B07-3336-02	ESCUTCHEON		C151-154			CK73GB1H104K	CHIP C 0.10UF	K
7	1A	*	B10-5344-02	FRONT GLASS		C200-202			CK73GB1H102K	CHIP C 1000PF	K
8	1A	*	B19-2324-03	LIGHTING BOARD		C203,204			CD04BJ1H100M	ELECTRO 10UF	50WV
9	2B	*	B19-2556-13	LIGHTING BOARD		C205,206			CC73GCH1H150J	CHIP C 15PF	J
-		*	B64-4572-00	INSTRUCTION MANUA (ENG.FRE.SPA)	KE1	C207,208			CK73GB1H103K	CHIP C 0.010UF	K
-		*	B64-4573-00	INSTRUCTION MANUA (GER.DUT.ITA)	E1	C209,210			CC73GCH1H101J	CHIP C 100PF	J
-		*	B64-4574-00	INSTRUCTION MANUAL (ENG.S-CHI.)	M1M2	C211,212			CC73GCH1H150J	CHIP C 15PF	J
-		*	B64-4711-00	INSTRUCTION MANUA (POR.RUS.UKR)	E1	C213,214			CC73GCH1H101J	CHIP C 100PF	J
12	1A		E30-6144-05	CONNECTING CORD ASSY		C217,218			CD04AS1C470M	ELECTRO 47UF	16WV
FC1	3B	*	E39-1122-15	FLAT CABLE		C219			CK73GB1H103K	CHIP C 0.010UF	K
16	2A		F09-2974-05	FAN		C251-254			CK73GB1H104K	CHIP C 0.10UF	K
F1, 2	3B		F52-0045-05	FUSE (BLADE TYPE) 30A		C301,302			CD04BJ1H100M	ELECTRO 10UF	50WV
-		*	H54-4810-03	ITEM CARTON CASE	K	C303,304			CC73GCH1H270J	CHIP C 27PF	J
-		*	H54-4811-03	ITEM CARTON CASE	E1	C305,306			CK73GB1H103K	CHIP C 0.010UF	K
-			H54-4812-03	ITEM CARTON CASE	M1	C311,312			CK73FB1H334K	CHIP C 0.33UF	K
-			H54-4813-03	ITEM CARTON CASE	M2	C313,314			CK73GB1H473K	CHIP C 0.047UF	K
21	1A		N99-1820-05	SCREW & WRENCH KEY SET		C315,316			CK73GB1H103K	CHIP C 0.010UF	K
A	2A		N09-6365-05	SEMS (2.6X13)		C319-322			CD04BJ1H100M	ELECTRO 10UF	50WV
B	1B		N09-6726-05	DRESSED SCREW (M4X8)		C401,402			CD04BJ1H100M	ELECTRO 10UF	50WV
C	3B		N89-3008-43	BINDING HEAD TAPTITE SCREW		C403,404			CC73GCH1H270J	CHIP C 27PF	J
E	3B		N89-3008-48	BINDING HEAD TAPTITE SCREW		C405,406			CK73GB1A474K	CHIP C 0.47UF	K
F	2A		N89-3016-48	BINDING HEAD TAPTITE SCREW		C407,408			CD04AU1H4R7M	NP-ELEC 4.7UF	50WV
Z	2B		N09-4214-08	TERMINAL SCREW (M4 AU)		C415,416			CK73GB1H103K	CHIP C 0.010UF	K
AUDIO UNIT (X09-8940-10)											
D7		*	B30-3220-05	LED (ORG-630NM,80MCD)		C417,418			CK73FB1H334K	CHIP C 0.33UF	K
D8 ,9			B30-1770-05	LED (BLUE)		C419,420			CK73GB1H473K	CHIP C 0.047UF	K
C1			CD04AU1H100M	NP-ELEC 10UF 50WV		C421,422			CK73GB1H103K	CHIP C 0.010UF	K
C2			CK73FB1C105K	CHIP C 1.0UF K		C425-428			CD04AS1V100M	ELECTRO 10UF	35WV
C3 -5			CD04BJ1H100M	ELECTRO 10UF 50WV		C501,502			CD04BJ1H100M	ELECTRO 10UF	50WV
C6			CK73GB1H103K	CHIP C 0.010UF K		C503,504			CC73GCH1H471J	CHIP C 470PF	J
C7			CD04BJ1E470M	ELECTRO 47UF 25WV		C507,508			CC73GCH1H470J	CHIP C 47PF	J
C8			CK73GB1A474K	CHIP C 0.47UF K		C509,510			CD04BJ1E470M	ELECTRO 47UF	25WV
C9			CK73GB1H102K	CHIP C 1000PF K		C511,512			CC73GCH1H030C	CHIP C 3.0PF	C
C10			CD04BJ1H100M	ELECTRO 10UF 50WV		C513-516			CC73GCH1H470J	CHIP C 47PF	J
C11			CD04BJ1H470M	ELECTRO 47UF 50WV		C517,518			CD04BJ1V221M	ELECTRO 220UF	35WV
C12			CK73GB1H104K	CHIP C 0.10UF K		C519,520			CD04BJ1H100M	ELECTRO 10UF	50WV
C13			CD04AU1H100M	NP-ELEC 10UF 50WV		C521,522		*	CD04BJ1V331M	ELECTRO 330UF	35WV
C14			CK73GB1H152K	CHIP C 1500PF K		C523,524			CD04BJ1H100M	ELECTRO 10UF	50WV
C15 ,16		*	C90-6937-05	ELECTRO 2200UF 16WV		C525-528			CK73GB1H102K	CHIP C 1000PF	K
C17 ,18			CK73GB1H152K	CHIP C 1500PF K		C529,530			CC73GCH1H060D	CHIP C 6.0PF	D
C19 ,20		*	C90-6929-05	ELECTRO 3300UF 50WV		C531,532			CK73GB1H473K	CHIP C 0.047UF	K
C21 -24			CD04BJ1E470M	ELECTRO 47UF 25WV		C601,602			CD04BJ1H100M	ELECTRO 10UF	50WV
C101,102			CK73GB1H102K	CHIP C 1000PF K		C603,604			CC73GCH1H471J	CHIP C 470PF	J
C103,104			CD04BJ1H100M	ELECTRO 10UF 50WV		C607,608			CC73GCH1H470J	CHIP C 47PF	J
C105,106			CC73GCH1H150J	CHIP C 15PF J		C609,610			CD04BJ1E470M	ELECTRO 47UF	25WV
C107,108			CK73GB1H103K	CHIP C 0.010UF K		C611,612			CC73GCH1H030C	CHIP C 3.0PF	C
						C613-616			CC73GCH1H470J	CHIP C 47PF	J
						C617,618			CD04BJ1H100M	ELECTRO 10UF	50WV
						C619-622			CK73GB1H102K	CHIP C 1000PF	K
						C623,624			CC73GCH1H060D	CHIP C 6.0PF	D
						C625,626			CK73GB1H473K	CHIP C 0.047UF	K

E1: KAC-8405 (Europe) K: KAC-8405 (North America)
M1: KAC-9405 M2: KAC-9405M (Other Areas)

△ Indicates safety critical components.

PARTS LIST

AUDIO UNIT (X09-8940-10)

Ref. No.	Add	New	Parts No.	Description	Destination
C701			CK73GB1H104K	CHIP C 0.10UF K	
C702			CK73GB1H103K	CHIP C 0.010UF K	
C703			CD04BJ1A221M	ELECTRO 220UF 10WV	
C704			CK73GB1H103K	CHIP C 0.010UF K	
C705			CK73GB1H104K	CHIP C 0.10UF K	
C706			CD04BJ1A221M	ELECTRO 220UF 10WV	
C707,708			CD04BJ1H100M	ELECTRO 10UF 50WV	
C709			CK73GB1H103K	CHIP C 0.010UF K	
C715			CD04BJ1H010M	ELECTRO 1.0UF 50WV	
C717-719			CD04BJ1H100M	ELECTRO 10UF 50WV	
C720			CK73GB1H102K	CHIP C 1000PF K	
C721			CK73GB1H103K	CHIP C 0.010UF K	
C901			CK73EB1E106K	CHIP C 10UF K	
C902			CK73GB1H103K	CHIP C 0.010UF K	
C903			CK73EB1E106K	CHIP C 10UF K	
CN1 ,2			E41-1682-05	PIN ASSY	
CN3			E41-2945-05	FLAT CABLE CONNECTOR	
CN33			E41-2447-05	FLAT CABLE CONNECTOR	
J1			E63-0967-05	PIN JACK	
J2			E58-1120-05	RECTANGULAR RECEPTACLE	
J3		*	E70-0866-05	SCREW TERMINAL BOARD	
L1			L33-2435-05	CHOKE COIL	
L2		*	L19-0813-15	TRANSFORMER FOR CONVERTER	
G	2B		N09-6447-05	TAPTITE SCREW (3X10 P-T)	
R1			RK73GB2A392J	CHIP R 3.9K J 1/10W	
R2			RK73EB2E392J	CHIP R 3.9K J 1/4W	
R3			RK73GB2A392J	CHIP R 3.9K J 1/10W	
R4			RK73GB2A333J	CHIP R 33K J 1/10W	
R5			RK73GB2A392J	CHIP R 3.9K J 1/10W	
R6			RK73GB2A152J	CHIP R 1.5K J 1/10W	
R7			RK73GB2A333J	CHIP R 33K J 1/10W	
R8			RK73GB2A682J	CHIP R 6.8K J 1/10W	
R9			RK73GB2A472J	CHIP R 4.7K J 1/10W	
R10			RK73EB2E302J	CHIP R 3.0K J 1/4W	
R11			RK73GB2A102J	CHIP R 1.0K J 1/10W	
R12			RK73GB2A104J	CHIP R 100K J 1/10W	
R13			RK73GB2A224J	CHIP R 220K J 1/10W	
R14			RK73GB2A333J	CHIP R 33K J 1/10W	
R15			RK73GB2A753J	CHIP R 75K J 1/10W	
R16			RK73GB2A750J	CHIP R 75 J 1/10W	
R17			RK73GB2A103J	CHIP R 10K J 1/10W	
R18			RK73GB2A184J	CHIP R 180K J 1/10W	
R19			RK73EB2E152J	CHIP R 1.5K J 1/4W	
R20 ,21			RK73EB2E222J	CHIP R 2.2K J 1/4W	
R22			RK73GB2A223J	CHIP R 22K J 1/10W	
R23			RK73GB2A471J	CHIP R 470 J 1/10W	
R24			RK73GB2A103J	CHIP R 10K J 1/10W	
R25			RK73GB2A473J	CHIP R 47K J 1/10W	
R26			RK73GB2A100J	CHIP R 10 J 1/10W	
R27			RK73GB2A183J	CHIP R 18K J 1/10W	
R28			RK73GB2A102J	CHIP R 1.0K J 1/10W	
R29			RK73GB2A104J	CHIP R 100K J 1/10W	
R30 -32			RK73GB2A103J	CHIP R 10K J 1/10W	

Ref. No.	Add	New	Parts No.	Description	Destination
R33			RK73GB2A622J	CHIP R 6.2K J 1/10W	
R34			RK73GB2A334J	CHIP R 330K J 1/10W	
R35			RK73GB2A103J	CHIP R 10K J 1/10W	
R36 ,37			RK73GB2A152J	CHIP R 1.5K J 1/10W	
R38 ,39			RK73GB2A560J	CHIP R 56 J 1/10W	
R40 ,41			RK73GB2A472J	CHIP R 4.7K J 1/10W	
R42 -45			RK73GB2A470J	CHIP R 47 J 1/10W	
R46 -48			RK73PB2H100J	CHIP R 10 J 1/2W	
R49			RK73EB2E153J	CHIP R 15K J 1/4W	
R50 ,51			RK73EB2E562J	CHIP R 5.6K J 1/4W	
R52 ,53			RK73GB2A562J	CHIP R 5.6K J 1/10W	
R54			RK73GB2A391J	CHIP R 390 J 1/10W	
R55			RK73GB2A103J	CHIP R 10K J 1/10W	
R101,102			RK73EB2E102J	CHIP R 1.0K J 1/4W	
R103,104			RK73GB2A103J	CHIP R 10K J 1/10W	
R105,106			RK73GB2A472J	CHIP R 4.7K J 1/10W	
R107,108			RK73GB2A103J	CHIP R 10K J 1/10W	
R109,110			RK73GB2A123J	CHIP R 12K J 1/10W	
R111-118			RK73GH2A103D	CHIP R 10K D 1/10W	
R119,120			RK73GB2A473J	CHIP R 47K J 1/10W	
R151,152			RK73EB2E222J	CHIP R 2.2K J 1/4W	
R153-156			RK73EB2E104J	CHIP R 100K J 1/4W	
R200-202			RK73EB2E102J	CHIP R 1.0K J 1/4W	
R203,204			RK73GB2A103J	CHIP R 10K J 1/10W	
R205,206			RK73GB2A472J	CHIP R 4.7K J 1/10W	
R207,208			RK73GB2A103J	CHIP R 10K J 1/10W	
R209,210			RK73GB2A123J	CHIP R 12K J 1/10W	
R211-218			RK73GH2A103D	CHIP R 10K D 1/10W	
R219,220			RK73GB2A473J	CHIP R 47K J 1/10W	
R251,252			RK73EB2E222J	CHIP R 2.2K J 1/4W	
R253-256			RK73EB2E104J	CHIP R 100K J 1/4W	
R301,302			RK73GB2A431J	CHIP R 430 J 1/10W	
R303,304			RK73GB2A102J	CHIP R 1.0K J 1/10W	
R305,306			RK73GB2A473J	CHIP R 47K J 1/10W	
R307,308			RK73GB2A302J	CHIP R 3.0K J 1/10W	
R309,310			RK73GB2A183J	CHIP R 18K J 1/10W	
R311-316			RK73GB2A103J	CHIP R 10K J 1/10W	
R317,318			RK73GB2A222J	CHIP R 2.2K J 1/10W	
R319,320			RK73GB2A302J	CHIP R 3.0K J 1/10W	
R321,322			RK73GB2A103J	CHIP R 10K J 1/10W	
R323,324			RK73GB2A163J	CHIP R 16K J 1/10W	
R325-328			RK73GB2A473J	CHIP R 47K J 1/10W	
R401,402			RK73GB2A431J	CHIP R 430 J 1/10W	
R403,404			RK73GB2A102J	CHIP R 1.0K J 1/10W	
R405,406			RK73GB2A473J	CHIP R 47K J 1/10W	
R407,408			RK73GB2A302J	CHIP R 3.0K J 1/10W	
R409,410			RK73GB2A183J	CHIP R 18K J 1/10W	
R411,412			RK73GB2A333J	CHIP R 33K J 1/10W	
R413,414			RK73GB2A221J	CHIP R 220 J 1/10W	
R415,416			RK73GB2A104J	CHIP R 100K J 1/10W	
R417-422			RK73GB2A103J	CHIP R 10K J 1/10W	
R423,424			RK73GB2A222J	CHIP R 2.2K J 1/10W	
R425,426			RK73GB2A302J	CHIP R 3.0K J 1/10W	
R427,428			RK73GB2A103J	CHIP R 10K J 1/10W	
R429,430			RK73GB2A163J	CHIP R 16K J 1/10W	

E1: KAC-8405 (Europe) K: KAC-8405 (North America)
M1: KAC-9405 M2: KAC-9405M (Other Areas)

△ Indicates safety critical components.

PARTS LIST

AUDIO UNIT (X09-8940-10)

Ref. No.	Add	New	Parts No.	Description	Destination	Ref. No.	Add	New	Parts No.	Description	Destination
R431-434			RK73GB2A473J	CHIP R 47K J 1/10W		R702-704			RK73GB2A103J	CHIP R 10K J 1/10W	
R501,502			RK73GB2A562J	CHIP R 5.6K J 1/10W		R705			RK73GB2A332J	CHIP R 3.3K J 1/10W	
R503-506			RK73GB2A470J	CHIP R 47 J 1/10W		R706,707			RK73GB2A103J	CHIP R 10K J 1/10W	
R507,508			RK73GB2A103J	CHIP R 10K J 1/10W		R708			RK73GB2A473J	CHIP R 47K J 1/10W	
R509,510			RK73EB2E562J	CHIP R 5.6K J 1/4W		R709			RK73GB2A103J	CHIP R 10K J 1/10W	
R511,512			RK73GB2A133J	CHIP R 13K J 1/10W		R710,711			RK73GB2A823J	CHIP R 82K J 1/10W	
R513,514			RK73GB2A103J	CHIP R 10K J 1/10W		R712-716			RK73GB2A473J	CHIP R 47K J 1/10W	
R515,516			RK73GB2A123J	CHIP R 12K J 1/10W		R717			RK73GB2A103J	CHIP R 10K J 1/10W	
R517,518			RK73GB2A153J	CHIP R 15K J 1/10W		R718			RK73GB2A123J	CHIP R 12K J 1/10W	
R519,520			RK73GB2A392J	CHIP R 3.9K J 1/10W		R719			RK73GB2A681J	CHIP R 680 J 1/10W	
R521,522			RK73GB2A473J	CHIP R 47K J 1/10W		R720			RK73EB2E4R7J	CHIP R 4.7 J 1/4W	
R523-526			RK73GB2A681J	CHIP R 680 J 1/10W		R722			RK73GB2A103J	CHIP R 10K J 1/10W	
R527-530			RK73GB2A223J	CHIP R 22K J 1/10W		R724-726			RK73GB2A103J	CHIP R 10K J 1/10W	
R531,532			RK73GB2A222J	CHIP R 2.2K J 1/10W		R727,728			RK73GB2A224J	CHIP R 220K J 1/10W	
R533-536			RK73GB2A101J	CHIP R 100 J 1/10W		R729,730			RK73GB2A472J	CHIP R 4.7K J 1/10W	
R537,538			RK73GB2A102J	CHIP R 1.0K J 1/10W		R731,732			RK73GB2A222J	CHIP R 2.2K J 1/10W	
R543,544			RK73GB2A182J	CHIP R 1.8K J 1/10W		R734			RK73GB2A473J	CHIP R 47K J 1/10W	
R545,546			RK73GB2A101J	CHIP R 100 J 1/10W		R735			RK73GB2A123J	CHIP R 12K J 1/10W	
R547,548			RK73GB2A561J	CHIP R 560 J 1/10W		R736			RK73GB2A224J	CHIP R 220K J 1/10W	
R549,550			RK73GB2A560J	CHIP R 56 J 1/10W		R737			RK73GB2A103J	CHIP R 10K J 1/10W	
R553-556			RK73GB2A470J	CHIP R 47 J 1/10W		R738			RK73GB2A683J	CHIP R 68K J 1/10W	
R557-560			RK73GB2A102J	CHIP R 1.0K J 1/10W		R739			RK73GB2A223J	CHIP R 22K J 1/10W	
R561,562			RK73GB2A471J	CHIP R 470 J 1/10W		R740			RK73GB2A163J	CHIP R 16K J 1/10W	
R563-566			RK73EB2E4R7J	CHIP R 4.7 J 1/4W		R741			RK73GB2A152J	CHIP R 1.5K J 1/10W	
R567-570			RK73GB2A112J	CHIP R 1.1K J 1/10W		R742,743			RK73GB2A103J	CHIP R 10K J 1/10W	
R571-574		*	R92-5413-05	METAL P-R 0.1 J 2W		R744			RK73GB2A152J	CHIP R 1.5K J 1/10W	
R575,576			RK73EB2E473J	CHIP R 47K J 1/4W		R745			RK73GB2A163J	CHIP R 16K J 1/10W	
R577,578			RK73PB2H100J	CHIP R 10 J 1/2W		R746,747			RK73GB2A103J	CHIP R 10K J 1/10W	
R601,602			RK73GB2A562J	CHIP R 5.6K J 1/10W		R749			RK73GB2A473J	CHIP R 47K J 1/10W	
R603-606			RK73GB2A470J	CHIP R 47 J 1/10W		R750,751			RK73GB2A103J	CHIP R 10K J 1/10W	
R607,608			RK73GB2A103J	CHIP R 10K J 1/10W		R752			RK73GB2A682J	CHIP R 6.8K J 1/10W	
R609,610			RK73GB2A562J	CHIP R 5.6K J 1/10W		R753			RK73GB2A103J	CHIP R 10K J 1/10W	
R611,612			RK73GB2A133J	CHIP R 13K J 1/10W		R754			RK73GB2A222J	CHIP R 2.2K J 1/10W	
R613,614			RK73GB2A103J	CHIP R 10K J 1/10W		R755			RK73GB2A472J	CHIP R 4.7K J 1/10W	
R615,616			RK73GB2A123J	CHIP R 12K J 1/10W		R756,757			RK73GB2A103J	CHIP R 10K J 1/10W	
R617,618			RK73GB2A153J	CHIP R 15K J 1/10W		R758			RK73GB2A104J	CHIP R 100K J 1/10W	
R619,620			RK73GB2A392J	CHIP R 3.9K J 1/10W		R759			RK73GB2A162J	CHIP R 1.6K J 1/10W	
R621,622			RK73GB2A473J	CHIP R 47K J 1/10W		R760			RK73GB2A242J	CHIP R 2.4K J 1/10W	
R623-626			RK73GB2A681J	CHIP R 680 J 1/10W		R761			RK73GB2A152J	CHIP R 1.5K J 1/10W	
R627-630			RK73GB2A223J	CHIP R 22K J 1/10W		R762			RK73GB2A820J	CHIP R 82 J 1/10W	
R631,632			RK73GB2A222J	CHIP R 2.2K J 1/10W		VR1			R31-0253-05	VARIABLE RESISTOR 10K	
R633-636			RK73GB2A101J	CHIP R 100 J 1/10W		VR2			R31-0260-05	VARIABLE RESISTOR 10K	
R637,638			RK73GB2A182J	CHIP R 1.8K J 1/10W		VR3			R31-0255-05	VARIABLE RESISTOR 50K	
R639,640			RK73GB2A101J	CHIP R 100 J 1/10W		VR4			R31-0261-05	VARIABLE RESISTOR 50K	
R641,642			RK73GB2A561J	CHIP R 560 J 1/10W		W301-304			RK73GB2A000J	CHIP R 0.0 J 1/10W	
R643,644			RK73GB2A560J	CHIP R 56 J 1/10W		W305			RK73EB2E000J	CHIP R 0.0 J 1/4W	
R647-650			RK73GB2A470J	CHIP R 47 J 1/10W		W306,307			RK73GB2A000J	CHIP R 0.0 J 1/10W	
R651-654			RK73GB2A102J	CHIP R 1.0K J 1/10W		W308			RK73EB2E000J	CHIP R 0.0 J 1/4W	
R655,656			RK73GB2A471J	CHIP R 470 J 1/10W		W309			RK73GB2A000J	CHIP R 0.0 J 1/10W	
R657-660			RK73EB2E4R7J	CHIP R 4.7 J 1/4W		W310-312			RK73EB2E000J	CHIP R 0.0 J 1/4W	
R661-664			RK73GB2A112J	CHIP R 1.1K J 1/10W		W313			RK73GB2A000J	CHIP R 0.0 J 1/10W	
R665-668		*	R92-5413-05	METAL P-R 0.1 J 2W		W314,315			RK73EB2E000J	CHIP R 0.0 J 1/4W	
R669,670			RK73EB2E473J	CHIP R 47K J 1/4W		W316-321			RK73GB2A000J	CHIP R 0.0 J 1/10W	
R671,672			RK73PB2H100J	CHIP R 10 J 1/2W		W322			RK73EB2E000J	CHIP R 0.0 J 1/4W	
R701			RK73GB2A222J	CHIP R 2.2K J 1/10W		W323			RK73GB2A000J	CHIP R 0.0 J 1/10W	

E1: KAC-8405 (Europe) K: KAC-8405 (North America)
M1: KAC-9405 M2: KAC-9405M (Other Areas)

△ Indicates safety critical components.

PARTS LIST

AUDIO UNIT (X09-8940-10)

Ref. No.	Ad	New	Parts No.	Description	Desti- nation
W324			RK73EB2E000J	CHIP R 0.0 J 1/4W	
W325-331			RK73GB2A000J	CHIP R 0.0 J 1/10W	
W332			RK73EB2E000J	CHIP R 0.0 J 1/4W	
W333,334			RK73GB2A000J	CHIP R 0.0 J 1/10W	
W335,336			RK73EB2E000J	CHIP R 0.0 J 1/4W	
W338			RK73EB2E000J	CHIP R 0.0 J 1/4W	
W339-341			RK73GB2A000J	CHIP R 0.0 J 1/10W	
W342-344			RK73EB2E000J	CHIP R 0.0 J 1/4W	
W345			RK73GB2A000J	CHIP R 0.0 J 1/10W	
W346,347			RK73EB2E000J	CHIP R 0.0 J 1/4W	
W348			RK73GB2A000J	CHIP R 0.0 J 1/10W	
W349			RK73EB2E000J	CHIP R 0.0 J 1/4W	
W350-353			RK73GB2A000J	CHIP R 0.0 J 1/10W	
W354			RK73EB2E000J	CHIP R 0.0 J 1/4W	
W355,356			RK73GB2A000J	CHIP R 0.0 J 1/10W	
W357-361			RK73EB2E000J	CHIP R 0.0 J 1/4W	
W362,363			RK73GB2A000J	CHIP R 0.0 J 1/10W	
W364			RK73EB2E000J	CHIP R 0.0 J 1/4W	
W365			RK73GB2A000J	CHIP R 0.0 J 1/10W	
W366			RK73EB2E000J	CHIP R 0.0 J 1/4W	
W367-371			RK73GB2A000J	CHIP R 0.0 J 1/10W	
W372			RK73EB2E000J	CHIP R 0.0 J 1/4W	
W373			RK73GB2A000J	CHIP R 0.0 J 1/10W	
W374			RK73EB2E000J	CHIP R 0.0 J 1/4W	
W376			RK73GB2A000J	CHIP R 0.0 J 1/10W	
W377			RK73EB2E000J	CHIP R 0.0 J 1/4W	
W378			RK73GB2A000J	CHIP R 0.0 J 1/10W	
W379			RK73EB2E000J	CHIP R 0.0 J 1/4W	
W380-385			RK73GB2A000J	CHIP R 0.0 J 1/10W	
W386			RK73EB2E000J	CHIP R 0.0 J 1/4W	
W387,388			RK73GB2A000J	CHIP R 0.0 J 1/10W	
W389			RK73EB2E000J	CHIP R 0.0 J 1/4W	
W390			RK73GB2A000J	CHIP R 0.0 J 1/10W	
W391,392			RK73EB2E000J	CHIP R 0.0 J 1/4W	
W393-397			RK73GB2A000J	CHIP R 0.0 J 1/10W	
W398			RK73EB2E000J	CHIP R 0.0 J 1/4W	
W399			RK73GB2A000J	CHIP R 0.0 J 1/10W	
W400			RK73EB2E000J	CHIP R 0.0 J 1/4W	
W401,402			RK73GB2A000J	CHIP R 0.0 J 1/10W	
W403-406			RK73EB2E000J	CHIP R 0.0 J 1/4W	
W407			RK73GB2A000J	CHIP R 0.0 J 1/10W	
W408-411			RK73EB2E000J	CHIP R 0.0 J 1/4W	
W412,413			RK73GB2A000J	CHIP R 0.0 J 1/10W	
W414,415			RK73EB2E000J	CHIP R 0.0 J 1/4W	
W416			RK73GB2A000J	CHIP R 0.0 J 1/10W	
W417			RK73EB2E000J	CHIP R 0.0 J 1/4W	
W418-420			RK73GB2A000J	CHIP R 0.0 J 1/10W	
W421			RK73EB2E000J	CHIP R 0.0 J 1/4W	
W422,423			RK73GB2A000J	CHIP R 0.0 J 1/10W	
W424			RK73EB2E000J	CHIP R 0.0 J 1/4W	
W425-436			RK73GB2A000J	CHIP R 0.0 J 1/10W	
W437			RK73EB2E000J	CHIP R 0.0 J 1/4W	
W438,439			RK73GB2A000J	CHIP R 0.0 J 1/10W	
W440-442			RK73EB2E000J	CHIP R 0.0 J 1/4W	
W443			RK73GB2A000J	CHIP R 0.0 J 1/10W	

Ref. No.	Ad	New	Parts No.	Description	Desti- nation
W444,445			RK73EB2E000J	CHIP R 0.0 J 1/4W	
W446,447			RK73GB2A000J	CHIP R 0.0 J 1/10W	
W448			RK73EB2E000J	CHIP R 0.0 J 1/4W	
W449-452			RK73GB2A000J	CHIP R 0.0 J 1/10W	
W453-456			RK73EB2E000J	CHIP R 0.0 J 1/4W	
W457			RK73GB2A000J	CHIP R 0.0 J 1/10W	
W458,459			RK73EB2E000J	CHIP R 0.0 J 1/4W	
W460-462			RK73GB2A000J	CHIP R 0.0 J 1/10W	
W463			RK73EB2E000J	CHIP R 0.0 J 1/4W	
W464			RK73GB2A000J	CHIP R 0.0 J 1/10W	
W465			RK73EB2E000J	CHIP R 0.0 J 1/4W	
W466-473			RK73GB2A000J	CHIP R 0.0 J 1/10W	
W474			RK73EB2E000J	CHIP R 0.0 J 1/4W	
W475,476			RK73GB2A000J	CHIP R 0.0 J 1/10W	
W477			RK73EB2E000J	CHIP R 0.0 J 1/4W	
W478			RK73GB2A000J	CHIP R 0.0 J 1/10W	
W479,480			RK73EB2E000J	CHIP R 0.0 J 1/4W	
W481,482			RK73GB2A000J	CHIP R 0.0 J 1/10W	
W483			RK73EB2E000J	CHIP R 0.0 J 1/4W	
W484			RK73GB2A000J	CHIP R 0.0 J 1/10W	
W485-487			RK73EB2E000J	CHIP R 0.0 J 1/4W	
W488			RK73GB2A000J	CHIP R 0.0 J 1/10W	
W489,490			RK73EB2E000J	CHIP R 0.0 J 1/4W	
W491-493			RK73GB2A000J	CHIP R 0.0 J 1/10W	
W494,495			RK73EB2E000J	CHIP R 0.0 J 1/4W	
W496			RK73GB2A000J	CHIP R 0.0 J 1/10W	
W497,498			RK73EB2E000J	CHIP R 0.0 J 1/4W	
W499,500			RK73GB2A000J	CHIP R 0.0 J 1/10W	
W501,502			RK73EB2E000J	CHIP R 0.0 J 1/4W	
W503-506			RK73GB2A000J	CHIP R 0.0 J 1/10W	
W507			RK73EB2E000J	CHIP R 0.0 J 1/4W	
W508			RK73GB2A000J	CHIP R 0.0 J 1/10W	
W509			RK73EB2E000J	CHIP R 0.0 J 1/4W	
W510-518			RK73GB2A000J	CHIP R 0.0 J 1/10W	
W519			RK73EB2E000J	CHIP R 0.0 J 1/4W	
W520			RK73GB2A000J	CHIP R 0.0 J 1/10W	
W521,522			RK73EB2E000J	CHIP R 0.0 J 1/4W	
W523			RK73GB2A000J	CHIP R 0.0 J 1/10W	
W524-526			RK73EB2E000J	CHIP R 0.0 J 1/4W	
S1 -3			S62-0842-05	SLIDE SWITCH	
S4 ,5			S31-2630-05	SLIDE SWITCH	
D2			RKZ6.8KG(B2)	ZENER DIODE	
D3	*		RKZ15KG(B2)	ZENER DIODE	
D4			LM1MA142WA-G	DIODE	
D5	*		RKZ10KG(B2)	ZENER DIODE	
D6			LM1MA142WK-G	DIODE	
D10 -12			HSU119TRF-E	DIODE	
D13			LM1MA142WK-G	DIODE	
D14			FCH10A20	DIODE	
D15			FRH10A20	DIODE	
D16 ,17	*		RKZ16KG(B2)	ZENER DIODE	
D18			HSU119TRF-E	DIODE	
D203,204			RKZ6.8KG(B2)	ZENER DIODE	
D501,502			1SS302-F	DIODE	

E1: KAC-8405 (Europe) K: KAC-8405 (North America)
M1: KAC-9405 M2: KAC-9405M (Other Areas)

△ Indicates safety critical components.

PARTS LIST

AUDIO UNIT (X09-8940-10)

Ref. No.	Add	New	Parts No.	Description	Destination	Ref. No.	Add	New	Parts No.	Description	Destination
D503-506			HSU119TRF-E	DIODE		Q625,626			2SC1627A-F	TRANSISTOR	
D507-510		*	RKZ15KG(B2)	ZENER DIODE		Q627,628			2SA817A-F	TRANSISTOR	
D511,512			RKZ4.7KG(B2)	ZENER DIODE		Q629,630			2SC4468NF	TRANSISTOR	
D513,514			HSU119TRF-E	DIODE		Q631,632			2SA1695NF	TRANSISTOR	
D515,516			LM1MA142WA-G	DIODE		Q697,698			KTC3200-P	TRANSISTOR	
D517-520			HSU119TRF-E	DIODE		Q701	*		ISA1602AM1(F)	TRANSISTOR	
D601,602			1SS302-F	DIODE		Q702-704	*		2SC4154(F)	TRANSISTOR	
D603-608			HSU119TRF-E	DIODE		Q705			2SD1863	TRANSISTOR	
D609,610			LM1MA142WA-G	DIODE		Q706	*		2SC4154(F)	TRANSISTOR	
D611,612			HSU119TRF-E	DIODE		Q707-709	*		ISA1602AM1(F)	TRANSISTOR	
D701		*	RKZ10KG(B2)	ZENER DIODE		Q710	*		2SC4154(F)	TRANSISTOR	
D702			HSU119TRF-E	DIODE		Q711			RT1N141M-T111	TRANSISTOR	
D704		*	RKZ12KG(B2)	ZENER DIODE		Q712	*		ISA1602AM1(F)	TRANSISTOR	
D705			HSU119TRF-E	DIODE		Q713-715	*		2SC4154(F)	TRANSISTOR	
D706			LM1MA142WK-G	DIODE		Q716	*		ISA1602AM1(F)	TRANSISTOR	
D707			LM1MA142WA-G	DIODE		TH1			NCP18WB473J0S	THERMISTOR	
D708,709			LM1MA142WK-G	DIODE							
D710			HSU119TRF-E	DIODE							
IC1 -13			BA4560RF	ANALOGUE IC							
IC14			TL494IDR	ANALOGUE IC							
IC15			BA4560RF	ANALOGUE IC							
Q1			2SB1241	TRANSISTOR							
Q2 ,3		*	2SC4154(F)	TRANSISTOR							
Q4 ,5		*	ISA1602AM1(F)	TRANSISTOR							
Q6 -8		*	2SC4154(F)	TRANSISTOR							
Q9		*	ISA1602AM1(F)	TRANSISTOR							
Q10 ,11		*	RT1P141M-T111	TRANSISTOR							
Q12		*	2SC6120	TRANSISTOR							
Q13 ,14			2SA1577	TRANSISTOR							
Q15		*	2SC6120	TRANSISTOR							
Q16 -19			STP60NF06FP	FET							
Q20			2SD2012-F	TRANSISTOR							
Q21			2SB1375-F	TRANSISTOR							
Q501-508		*	2SC4154(F)	TRANSISTOR							
Q509,510		*	ISA1602AM1(F)	TRANSISTOR							
Q511,512		*	2SC4154(F)	TRANSISTOR							
Q513,514		*	ISA1602AM1(F)	TRANSISTOR							
Q515,516		*	KTA1268-P	TRANSISTOR							
Q520		*	KTA1268-P	TRANSISTOR							
Q521,522			2SC4081(S)	TRANSISTOR							
Q523,524		*	2SC4154(F)	TRANSISTOR							
Q525,526		*	KTA1268-P	TRANSISTOR							
Q527,528			2SC1627A-F	TRANSISTOR							
Q529,530			2SA817A-F	TRANSISTOR							
Q531,532			2SC4468NF	TRANSISTOR							
Q533,534			2SA1695NF	TRANSISTOR							
Q597-599			KTC3200-P	TRANSISTOR							
Q601-608		*	2SC4154(F)	TRANSISTOR							
Q609,610		*	ISA1602AM1(F)	TRANSISTOR							
Q611,612		*	2SC4154(F)	TRANSISTOR							
Q613,614		*	ISA1602AM1(F)	TRANSISTOR							
Q615,616		*	KTA1268-P	TRANSISTOR							
Q619,620			2SC4081(S)	TRANSISTOR							
Q621,622		*	2SC4154(F)	TRANSISTOR							
Q623,624		*	KTA1268-P	TRANSISTOR							

E1: KAC-8405 (Europe) K: KAC-8405 (North America)
M1: KAC-9405 M2: KAC-9405M (Other Areas)

△ Indicates safety critical components.