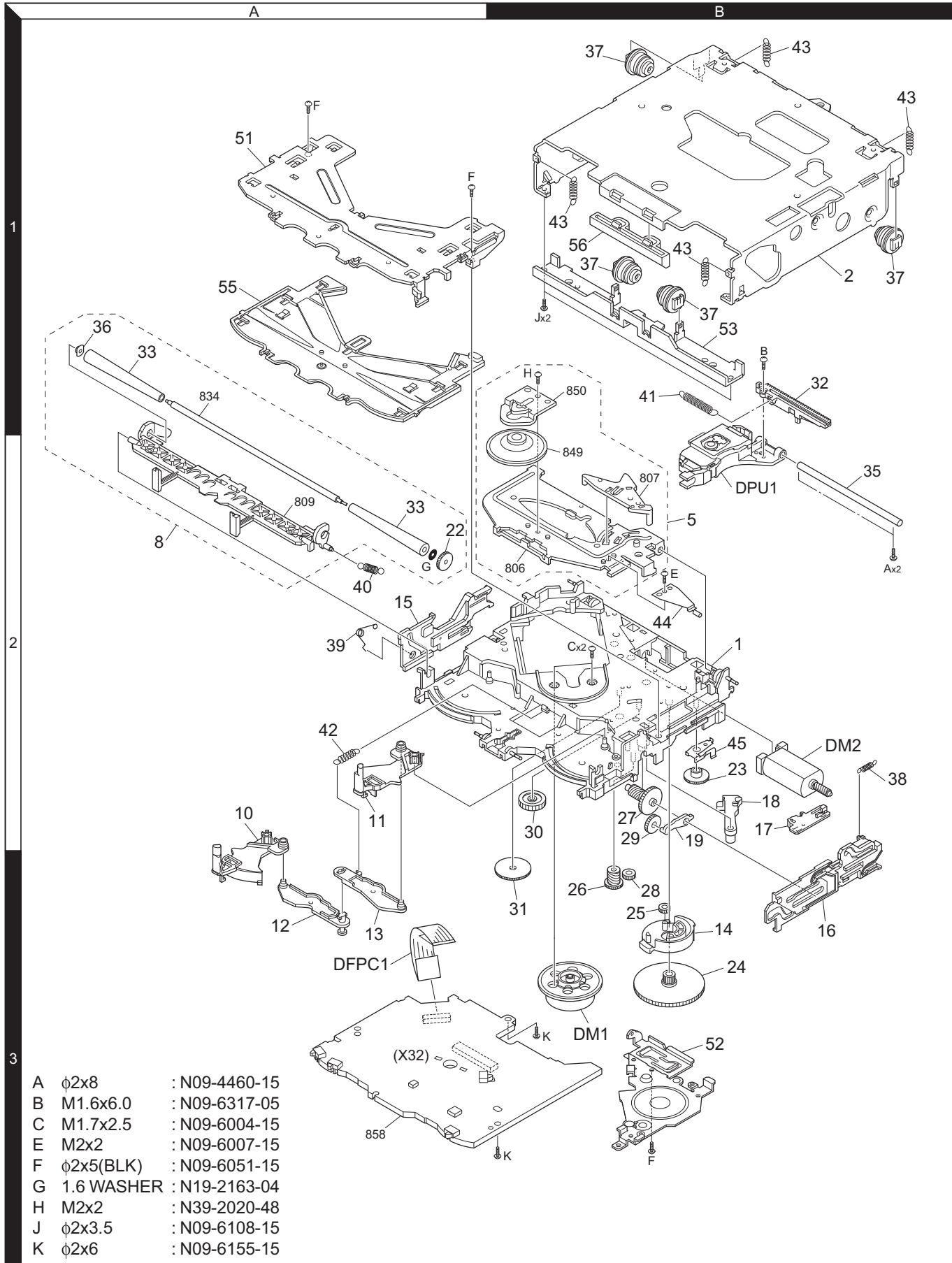
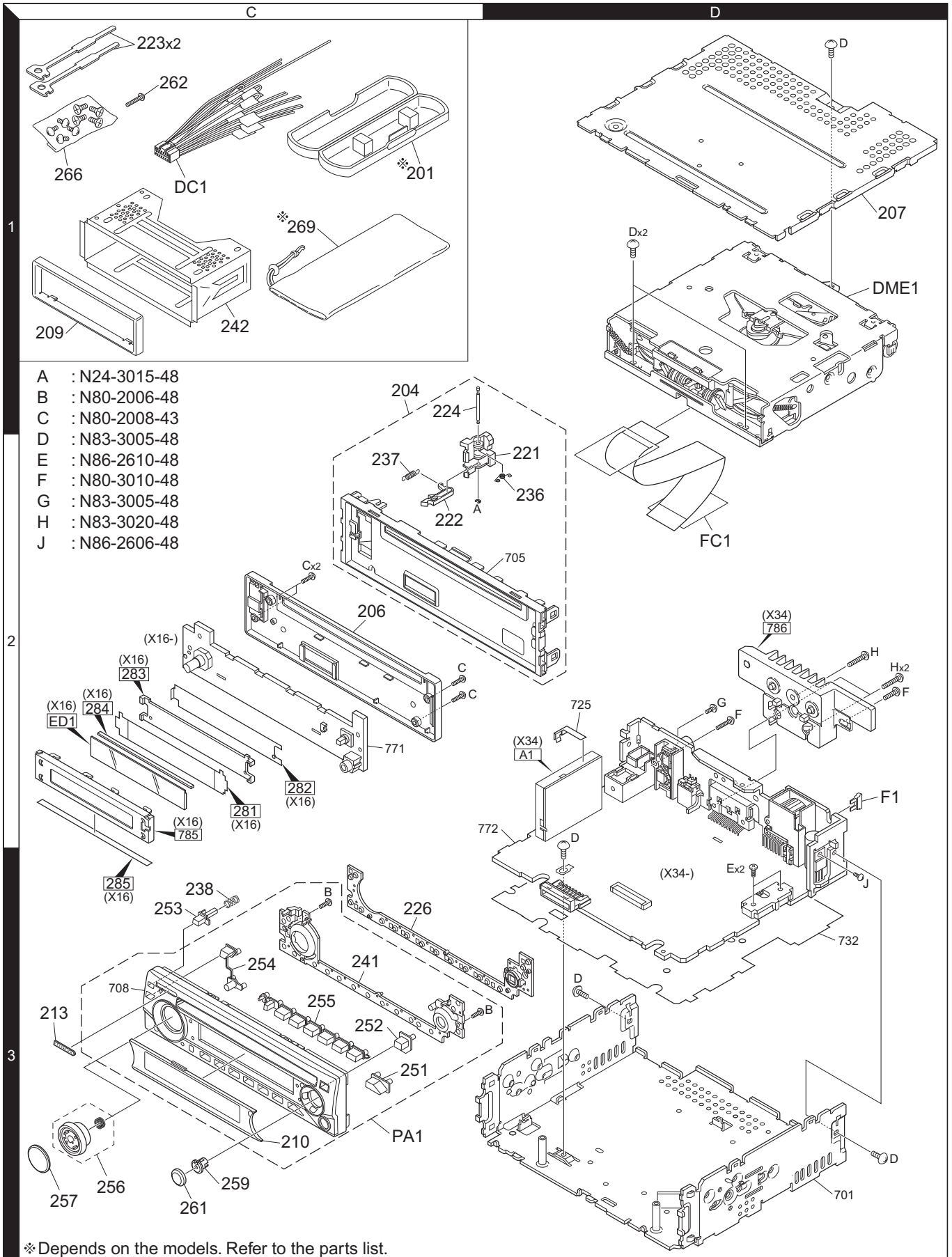


KDC-135/135CR/136

EXPLODED VIEW (CD MECHANISM)



EXPLODED VIEW (UNIT)



Parts with the exploded numbers larger than 700 are not supplied.

KDC-135/135CR/136

PARTS LIST

* New parts

Parts without **Parts No.** are not supplied.

Les articles non mentionnés dans le **Parts No.** ne sont pas fournis.

Teile ohne **Parts No.** werden nicht geliefert.

Ref. No.	A d d	N e w	Parts No.	Description	Desti- nation
KDC-135/135CR/136					
201	1C		A02-2736-03	PLASTIC CABINET ASSY	M7
204	1C	*	A22-3117-13	SUB PANEL ASSY	
206	2C	*	A46-1846-11	REAR COVER	
207	1D		A52-0804-12	TOP PLATE	
PA1	3C	*	A64-4039-02	PANEL ASSY	M7
PA1	3C	*	A64-4040-12	PANEL ASSY	K4
PA1	3C	*	A64-4041-12	PANEL ASSY	K5
-			B46-0681-04	ID CARD	
-		*	B64-3691-00	INST. MANUAL (ENG.FRE.SPA)	K4K5
-		*	B64-3693-00	INST. MANUAL (ENG.T-CHI)	M7
-		*	B64-3694-00	INST. MANUAL (ARABIC)	M7
209	1C		B07-3122-01	ESCUTCHEON	K5M7
209	1C		B07-3126-01	ESCUTCHEON	K4
210	3C	*	B10-4909-01	FRONT GLASS	M7
210	3C	*	B10-4910-11	FRONT GLASS	K4
210	3C	*	B10-4911-01	FRONT GLASS	K5
213	3C		B43-1518-04	BADGE	
221	2D		D10-4446-03	LEVER	
222	2C		D10-4447-03	LEVER	
223	1C		D10-4589-04	LEVER	
224	1C		D21-2329-04	SHAFT	
△ DC1	3C	*	E29-2089-02	CONDUCTIVE RUBBER	
FC1	1C		E30-6415-15	DC CORD	
	2D		E39-0736-05	FLAT CABLE (24-PIN)	
△ F1	2D		F52-0023-05	FUSE (MINI BLADE TYPE) (10A)	
236	2D		G01-2987-04	TORSION COIL SPRING	
237	2C		G01-3096-04	EXTENSION SPRING	
238	3C		G01-3244-04	COMPRESSION SPRING (REL)	
-		*	H54-3911-03	ITEM CARTON CASE	K4
-		*	H54-3912-03	ITEM CARTON CASE	K5
-		*	H54-3923-03	ITEM CARTON CASE	M7
241	3C	*	J19-7158-01	HOLDER	
242	1C		J21-9716-03	MOUNTING HARDWARE ASSY	
251	3C	*	K24-4653-04	PUSH KNOB (SRC)	
252	3C	*	K24-4652-04	PUSH KNOB (EJECT)	
253	3C	*	K24-4654-04	PUSH KNOB (RELEASE)	
254	3C	*	K25-1860-03	PUSH KNOB (MENU/ATT)	
255	3C	*	K25-1859-02	PUSH KNOB (PRESET)	
256	3C	*	K28-0201-03	KNOB ASSY (VOL)	
257	3C	*	K28-0190-03	KEY TOP (VOL)	K5
257	3C	*	K28-0191-03	KEY TOP (VOL)	K4M7
259	3C		K29-7141-03	KNOB BASE (FM/AM)	
261	3C	*	K28-0195-03	KEY TOP (FM/AM)	K5
261	3C	*	K28-0196-03	KEY TOP (FM/AM)	K4M7
262	1C		N84-4016-48	PAN HEAD TAPTITE SCREW	
266	1C		N99-1757-05	SCREW SET	
A	2C		N24-3015-48	E TYPE RETAINING RING	
B	3C		N80-2006-48	PAN HEAD TAPTITE SCREW	
C	2C		N80-2008-43	PAN HEAD TAPTITE SCREW	

Ref. No.	A d d	N e w	Parts No.	Description	Desti- nation
D	1D		N83-3005-48	PAN HEAD TAPTITE SCREW	
E	3D		N86-2610-48	BINDING HEAD TAPTITE SCREW	
269	1C	*	W01-1692-05	CARRYING CASE	K5
DME1	1D	*	X92-5860-00	MECHANISM ASSY (DXM-6C00W)	
SWITCH UNIT (X16-388x-xx)					
281	2C		B11-1489-04	OPTICAL DIFFUSER	
282	2C		B11-1495-04	REFLECTION SHEET	
283	2C		B19-2366-02	LIGHTING BOARD	
D2			B30-1698-05	LED	
D3			B30-1566-05	LED (1608,RED)	K5M7
D3-21			B30-1566-05	LED (1608,RED)	K4
D4-21			B30-1565-05	LED (1608,PG)	K5M7
ED1	2C	*	B38-1183-05	LCD	
C1			CK73GB1H102K	CHIP C 1000PF	K
C2			CK73GB1H104K	CHIP C 0.10UF	K
C3,4			CK73GB1H473K	CHIP C 0.047UF	K
C5			CK73FB1A225K	CHIP C 2.2UF	K
C6,7			CK73GB1H102K	CHIP C 1000PF	K
284	2C		E29-2068-04	CONDUCTIVE RUBBER	
J1		*	E59-0852-05	RECTANGULAR PLUG	
J2		*	E11-0650-05	3.5D PHONE JACK	K4K5
285	3C		F19-1468-04	BLIND PLATE	
CP1			RK74GA1J222J	CHIP-COM 2.2K	J 1/16W
R1			RK73GB2A563J	CHIP R 56K	J 1/10W
R2			RK73GB2A4R7J	CHIP R 4.7	J 1/10W
R3			RK73GB2A472J	CHIP R 4.7K	J 1/10W
R5-10			RK73GB2A221J	CHIP R 220	J 1/10W
R11			RK73GB2A102J	CHIP R 1.0K	J 1/10W
R12			RK73GB2A101J	CHIP R 100	J 1/10W
R21			RK73EB2E431J	CHIP R 430	J 1/4W
R24-28			RK73FB2B471J	CHIP R 470	J 1/8W
R29			RK73EB2E681J	CHIP R 680	J 1/4W
R30			RK73GB2A104J	CHIP R 100K	J 1/10W
R34			RK73EB2E681J	CHIP R 680	J 1/4W
S1			S70-0106-05	TACT SWITCH	
S2		*	T99-0474-05	ROTARY ENCODER	
D31-36			UDZS5.6B	ZENER DIODE	K4M7
D31-37			UDZS5.6B	ZENER DIODE	K5
IC1			LC75853NE-E	MOS-IC	
IC2			PNA4S22M02KW	ANALOGUE IC	K5
Q1			RT1P141U	TRANSISTOR	
CD PLAYER UNIT (X32-5980-00) IN CD MECHA					
C1			CK73GB1A105K	CHIP C 1.0UF	K
C3			CK73GB0J475K	CHIP C 4.7UF	K
C4			CK73GB1A105K	CHIP C 1.0UF	K
C5			CK73GB1H104K	CHIP C 0.10UF	K
C15,16			CK73GB1H222K	CHIP C 2200PF	K
C21,22			CK73GB1H104K	CHIP C 0.10UF	K
C24			CK73GB1H104K	CHIP C 0.10UF	K
C26			CK73GB1H104K	CHIP C 0.10UF	K

K4 : KDC-135 **K5** : KDC-135CR **M7** : KDC-136
(E : Europe **K** : North America **M** : Other Areas **W** : Without Europe)

△ Indicates safety critical components.

PARTS LIST

CD PLAYER UNIT (X32-5980-00) IN CD MECHA

Ref. No.	Add	New	Parts No.	Description	Destination
C31			CK73GB1C224K	CHIP C 0.22UF K	
C33			CK73GB1H472K	CHIP C 4700PF K	
C34			CK73GB1H682K	CHIP C 6800PF K	
C35			CK73GB1H102K	CHIP C 1000PF K	
C36,37			CK73GB1H682K	CHIP C 6800PF K	
C38			CK73GB1H471K	CHIP C 470PF K	
C39			CK73FB1A225K	CHIP C 2.2UF K	
C51			CK73FB0J106K	CHIP C 10UF K	
C52			CK73GB1H104K	CHIP C 0.10UF K	
C53			CK73GB1H223K	CHIP C 0.022UF K	
C54			CK73GB1H332K	CHIP C 3300PF K	
C55			CK73GB1A334K	CHIP C 0.33UF K	
C56			CK73FB0J475K	CHIP C 4.7UF K	
C57			CK73GB1H104K	CHIP C 0.10UF K	
C58			CC73GCH1H681J	CHIP C 680PF J	
C59			CK73GB1H104K	CHIP C 0.10UF K	
C60			CK73GB1H223K	CHIP C 0.022UF K	
C61			CC73GCH1H102J	CHIP C 1000PF J	
C62			CK73GB1C823K	CHIP C 0.082UF K	
C63			CC73GCH1H102J	CHIP C 1000PF J	
C64			CK73GB1A334K	CHIP C 0.33UF K	
C71			CK73EB1C106K	CHIP C 10UF K	
C73			CK73EB1C106K	CHIP C 10UF K	
C75			CK73GB1H104K	CHIP C 0.10UF K	
C77,78			CK73GB1H104K	CHIP C 0.10UF K	
C83			CK73GB1H103K	CHIP C 0.010UF K	
C84			CK73GB1A105K	CHIP C 1.0UF K	
C85			CK73GB1H102K	CHIP C 1000PF K	
CN1			E41-2612-05	FLAT CABLE CONNECTOR	
CN2			E41-2083-15	FLAT CABLE CONNECTOR	
X1			L78-0851-05	RESONATOR (16.93MHZ)	
CP1,2			RK74GA1J103J	CHIP-COM 10K J 1/16W	
CP4			RK74GA1J101J	CHIP-COM 100 J 1/16W	
CP11			RK74GA1J103J	CHIP-COM 10K J 1/16W	
R13,14			RK73GB2A102J	CHIP R 1.0K J 1/10W	
R15			RK73GB2A103J	CHIP R 10K J 1/10W	
R16			RK73GB2A102J	CHIP R 1.0K J 1/10W	
R27			RK73GH2A223D	CHIP R 22K D 1/10W	
R28			RK73GH2A273D	CHIP R 27K D 1/10W	
R31			RK73GB2A472J	CHIP R 4.7K J 1/10W	
R32,33			RK73GB2A332J	CHIP R 3.3K J 1/10W	
R34			RK73GB2A562J	CHIP R 5.6K J 1/10W	
R38,39			RK73GB2A103J	CHIP R 10K J 1/10W	
R41			RK73GB2A103J	CHIP R 10K J 1/10W	
R51			RK73GB2A103J	CHIP R 10K J 1/10W	
R52			RK73GB2A562J	CHIP R 5.6K J 1/10W	
R53			RK73GB2A102J	CHIP R 1.0K J 1/10W	
R54,55			RK73GB2A562J	CHIP R 5.6K J 1/10W	
R56			RK73GB2A473J	CHIP R 47K J 1/10W	
R57			RK73GB2A273J	CHIP R 27K J 1/10W	
R58			RK73GB2A222J	CHIP R 2.2K J 1/10W	
R59			RK73GB2A273J	CHIP R 27K J 1/10W	
R60,61			RK73GB2A153J	CHIP R 15K J 1/10W	

Ref. No.	Add	New	Parts No.	Description	Destination
R62			RK73GB2A133J	CHIP R 13K J 1/10W	
R63			RK73GB2A183J	CHIP R 18K J 1/10W	
R64			RK73GB2A392J	CHIP R 3.9K J 1/10W	
R65,66			RK73GB2A153J	CHIP R 15K J 1/10W	
R73			RK73GB2A910J	CHIP R 91 J 1/10W	
R74			RK73GB2A472J	CHIP R 4.7K J 1/10W	
R75			RK73FB2B4R7J	CHIP R 4.7 J 1/8W	
R76			RK73GB2A104J	CHIP R 100K J 1/10W	
R77			RK73GB2A823J	CHIP R 82K J 1/10W	
R78			RK73GB2A821J	CHIP R 820 J 1/10W	
R79			RK73GB2A272J	CHIP R 2.7K J 1/10W	
R82-85			RK73GB2A103J	CHIP R 10K J 1/10W	
R86			RK73GB2A102J	CHIP R 1.0K J 1/10W	
R87			RK73GB2A105J	CHIP R 1.0M J 1/10W	
R88,89			RK73GB2A103J	CHIP R 10K J 1/10W	
R91,92			RK73GB2A103J	CHIP R 10K J 1/10W	
R100			RK73GB2A225J	CHIP R 2.2M J 1/10W	
R105			RK73GB2A2R2J	CHIP R 2.2 J 1/10W	
R108			RK73EB2E4R7J	CHIP R 4.7 J 1/4W	
R110-112			RK73GB2A2R2J	CHIP R 2.2 J 1/10W	
R131			RK73GB2A103J	CHIP R 10K J 1/10W	
S1,2			S68-0863-05	PUSH SWITCH	
S3			S68-0862-05	PUSH SWITCH	
D1			DAN202U	DIODE	
D2			MA2S784-F	DIODE	
D3			DAN202U	DIODE	
D4			DA204U	DIODE	
IC1		*	MN6627781KA	MOS-IC	
IC2			XC6219B332PR	ANALOGUE IC	
IC3			XC6201P332PR	ANALOGUE IC	
IC6			BA5824FP	ANALOGUE IC	
Q1			DTA143XUA	DIGITAL TRANSISTOR	
Q2			DTC114YUA	DIGITAL TRANSISTOR	
Q3			UM6K1N	DUAL FET	
Q4			UMD9N	TRANSISTOR	
Q6			2SB1295-E	TRANSISTOR	
Q7			2SB0970	TRANSISTOR	
Q8,9			DTC114YUA	DIGITAL TRANSISTOR	
ELECTRIC UNIT (X34-469x-xx)					
D302			B30-1567-05	LED (1608,RED)	
C1		*	CD04AZ1C332M2	ELECTRO 3300UF 16WV	K4K5 M7
C2			CD04AB1C220M	ELECTRO 22UF 16WV	
C3			CK73GB1H104K	CHIP C 0.10UF K	
C3,4			CK73GB1H104K	CHIP C 0.10UF K	
C5,6			CD04AT1E101M	ELECTRO 100UF 25WV	
C7			CD04AB0J101M	ELECTRO 100UF 6.3WV	
C9			CK73GB1H104K	CHIP C 0.10UF K	
C11			CK73FB1A225K	CHIP C 2.2UF K	
C12			CK73GB1H104K	CHIP C 0.10UF K	
C14			CK73GB1H104K	CHIP C 0.10UF K	
C101,102			CK73GB1H103K	CHIP C 0.010UF K	
C202			CC73GCH1H180J	CHIP C 18PF J	
C203			CC73GCH1H220J	CHIP C 22PF J	

K4 : KDC-135 **K5** : KDC-135CR **M7** : KDC-136
(E : Europe **K** : North America **M** : Other Areas **W** : Without Europe)

△ Indicates safety critical components.

PARTS LIST

ELECTRIC UNIT (X34-469x-xx)

Ref. No.	A d d	N e w	Parts No.	Description	Desti- nation
C204			CK73GB1H104K	CHIP C 0.10UF K	
C205			CK73GB1H102K	CHIP C 1000PF K	
C301,302			CD04AB1HR47M	ELECTRO 0.47UF 50WV	
C306,307			CK73FB1E474K	CHIP C 0.47UF K	K4K5
C308			CD04AB0J470M	ELECTRO 47UF 6.3WV	K4K5
C309			CK73GB1H103K	CHIP C 0.010UF K	K4K5
C401			CD04AB1C470M	ELECTRO 47UF 16WV	
C403			CD04AB1H010M	ELECTRO 1.0UF 50WV	
C502			CK73GB1H103K	CHIP C 0.010UF K	
C504			CK73GB1H103K	CHIP C 0.010UF K	
C506			CK73GB1H103K	CHIP C 0.010UF K	
C508			CK73GB1H103K	CHIP C 0.010UF K	
C509,510			CK73GB1A474K	CHIP C 0.47UF K	
C701,702			CD04AB1V100M	ELECTRO 10UF 35WV	
C703,704			CC73GCH1H681J	CHIP C 680PF J	
C801-804			C90-6735-05	NP-ELECT 0.22UF 50WV	
C805			CD04AB1V100M	ELECTRO 10UF 35WV	
C807			CD04AB1H010M	ELECTRO 1.0UF 50WV	
C808			C90-6802-05	ELECTRO 1UF 50WV	
C809			CD04AB1H010M	ELECTRO 1.0UF 50WV	
C901,902			CD04AB1C101M	ELECTRO 100UF 16WV	
C990			CK73GB1H223K	CHIP C 0.022UF K	
CN2			E41-2581-05	FLAT CABLE CONNECTOR	
J1			E58-0991-05	RECTANGULAR RECEPTACLE	
J2		*	E04-0334-05	RF COAXIAL CABLE RECEPTACLE	
J3		*	E58-1060-05	RECTANGULAR RECEPTACLE	
J5		*	E63-0941-05	PIN JACK	
W101-103			E31-0001-00	JUMPER WIRE	K4K5
L1			L33-2319-05	CHOKE COIL ASSY	
L401			L41-4795-33	SMALL FIXED INDUCTOR (4.7UH)	
X1		*	L78-1218-05	RESONATOR (10.000MHZ)	
X2			L77-2920-05	CRYSTAL RESONATOR (32.768KHZ)	
F	2D		N80-3010-48	PAN HEAD TAPTITE SCREW	
G	2D		N83-3005-48	PAN HEAD TAPTITE SCREW	
H	2D		N83-3020-48	PAN HEAD TAPTITE SCREW	
J	3D		N86-2606-48	BINDING HEAD TAPTITE SCREW	
R1			RD14BB2C102J	RD 1.0K J 1/6W	
R2-5			RD14BB2C103J	RD 10K J 1/6W	
R101			RD14BB2C472J	RD 4.7K J 1/6W	K4K5
R101,102			RD14BB2C472J	RD 4.7K J 1/6W	M7
R103			RD14BB2C103J	RD 10K J 1/6W	
R104			RK73GB2A473J	CHIP R 47K J 1/10W	
R105			RK73GB2A104J	CHIP R 100K J 1/10W	
R106			RD14DB2H332J	SMALL-RD 3.3K J 1/2W	
R107			RD14BB2C333J	RD 33K J 1/6W	
R108			RK73GB2A103J	CHIP R 10K J 1/10W	
R109			RD14BB2C223J	RD 22K J 1/6W	
R110			RK73FB2B683J	CHIP R 68K J 1/8W	
R111			RK73GB2A393J	CHIP R 39K J 1/10W	
R112			RD14BB2C203J	RD 20K J 1/6W	
R113			RK73GB2A104J	CHIP R 100K J 1/10W	
R114,115			RK73GB2A103J	CHIP R 10K J 1/10W	
R116,117			RD14BB2C103J	RD 10K J 1/6W	

Ref. No.	A d d	N e w	Parts No.	Description	Desti- nation
R203,204			RK73GB2A103J	CHIP R 10K J 1/10W	
R205-207			RK73GB2A473J	CHIP R 47K J 1/10W	
R208			RD14BB2C473J	RD 47K J 1/6W	
R209,210			RD14BB2C471J	RD 470 J 1/6W	
R212			RK73GB2A473J	CHIP R 47K J 1/10W	
R218			RK73GB2A223J	CHIP R 22K J 1/10W	
R223			RK73GB2A222J	CHIP R 2.2K J 1/10W	
R225,226			RK73GB2A473J	CHIP R 47K J 1/10W	K5
R226			RK73GB2A473J	CHIP R 47K J 1/10W	K4
R226,227			RK73GB2A473J	CHIP R 47K J 1/10W	M7
R228			RK73GB2A223J	CHIP R 22K J 1/10W	M7
R228			RK73GB2A473J	CHIP R 47K J 1/10W	K4K5
R301			RK73GB2A222J	CHIP R 2.2K J 1/10W	
R302			RD14BB2C101J	RD 100 J 1/6W	
R306			RK73GB2A472J	CHIP R 4.7K J 1/10W	
R307			RK73GB2A222J	CHIP R 2.2K J 1/10W	
R310,311			RK73GB2A102J	CHIP R 1.0K J 1/10W	
R313			RK73GB2A102J	CHIP R 1.0K J 1/10W	
R314			RK73GB2A104J	CHIP R 100K J 1/10W	
R315,316			RK73GB2A472J	CHIP R 4.7K J 1/10W	
R317			RK73GB2A222J	CHIP R 2.2K J 1/10W	
R318			RK73GB2A472J	CHIP R 4.7K J 1/10W	
R319			RK73GB2A222J	CHIP R 2.2K J 1/10W	
R320			RK73GB2A472J	CHIP R 4.7K J 1/10W	
R323			RD14BB2C241J	RD 240 J 1/6W	
R330			RD14BB2C222J	RD 2.2K J 1/6W	
R331			RK73GB2A473J	CHIP R 47K J 1/10W	
R332			RD14BB2C222J	RD 2.2K J 1/6W	
R333,334			RD14BB2C102J	RD 1.0K J 1/6W	K5
R334			RD14BB2C102J	RD 1.0K J 1/6W	K4M7
R335			RK73GB2A473J	CHIP R 47K J 1/10W	
R336-339			RD14BB2C222J	RD 2.2K J 1/6W	
R340			RK73GB2A225J	CHIP R 2.2M J 1/10W	
R341			RD14BB2C222J	RD 2.2K J 1/6W	
R342			RK73GB2A473J	CHIP R 47K J 1/10W	
R343			RD14BB2C102J	RD 1.0K J 1/6W	
R344,345			RD14BB2C4R7J	RD 4.7 J 1/6W	K4K5
R346			RD14BB2C2R2J	RD 2.2 J 1/6W	K4K5
R347			RK73GB2A102J	CHIP R 1.0K J 1/10W	K4K5
R402,403			RD14BB2C471J	RD 470 J 1/6W	
R406			RK73GB2A223J	CHIP R 22K J 1/10W	K4
R407			RD14BB2C103J	RD 10K J 1/6W	K4
R408			RK73GB2A152J	CHIP R 1.5K J 1/10W	K4
R409			RK73GB2A392J	CHIP R 3.9K J 1/10W	K4
R491,492			RK73GB2A100J	CHIP R 10 J 1/10W	K4K5
R493			RD14BB2C100J	RD 10 J 1/6W	K4K5
R501			RK73GB2A471J	CHIP R 470 J 1/10W	
R502			RK73GB2A472J	CHIP R 4.7K J 1/10W	
R503			RK73GB2A471J	CHIP R 470 J 1/10W	
R504			RK73GB2A472J	CHIP R 4.7K J 1/10W	
R598			RK73GB2A223J	CHIP R 22K J 1/10W	
R599			RK73GB2A102J	CHIP R 1.0K J 1/10W	
R701,702			RK73GB2A331J	CHIP R 330 J 1/10W	
R703,704			RD14BB2C223J	RD 22K J 1/6W	
R705,706			RD14BB2C181J	RD 180 J 1/6W	

K4 : KDC-135 **K5** : KDC-135CR **M7** : KDC-136
(E : Europe **K** : North America **M** : Other Areas **W** : Without Europe)

△ Indicates safety critical components.

PARTS LIST

ELECTRIC UNIT (X34-469x-xx)

Ref. No.	Add	New	Parts No.	Description	Destination
R791,792			RK73GB2A000J	CHIP R 0.0 J 1/10W	K5
R793			RK73EB2E000J	CHIP R 0.0 J 1/4W	K4M7
R802			RK73GB2A154J	CHIP R 150K J 1/10W	
R804			RK73GB2A331J	CHIP R 330 J 1/10W	
R805			RK73GB2A154J	CHIP R 150K J 1/10W	
R806			RK73GB2A472J	CHIP R 4.7K J 1/10W	
R807			RK73GB2A432J	CHIP R 4.3K J 1/10W	
R808			RK73GB2A100J	CHIP R 10 J 1/10W	
R892			RK73GB2A000J	CHIP R 0.0 J 1/10W	
R901,902			RK73GB2A334J	CHIP R 330K J 1/10W	
R903			RK73GB2A153J	CHIP R 15K J 1/10W	
R904			RK73GB2A223J	CHIP R 22K J 1/10W	
R905,906			RK73GB2A104J	CHIP R 100K J 1/10W	
R907-914			RD14BB2C104J	RD 100K J 1/6W	
R915			RK73GB2A104J	CHIP R 100K J 1/10W	
R951			RK73EB2E000J	CHIP R 0.0 J 1/4W	M7
R953			RK73GB2A000J	CHIP R 0.0 J 1/10W	
R955			RK73EB2E000J	CHIP R 0.0 J 1/4W	
R958			RK73GB2A000J	CHIP R 0.0 J 1/10W	
R961-963			RK73GB2A000J	CHIP R 0.0 J 1/10W	
R964,965			RK73EB2E000J	CHIP R 0.0 J 1/4W	
R968-971			RK73GB2A000J	CHIP R 0.0 J 1/10W	
R973			RK73GB2A000J	CHIP R 0.0 J 1/10W	K4K5
D1			S2V60*A	DIODE	
D2			MTZJ8.2(B)	ZENER DIODE	
D3			D1F60-5063	DIODE	
D4			1SS133	DIODE	K4K5
D4,5			1SS133	DIODE	M7
D101,102			D1F60-5063	DIODE	
D103			AM01ZNF	DIODE	M7
D104			D1F60-5063	DIODE	M7
D105			MTZJ4.7(B)	ZENER DIODE	
D106-108			MTZJ6.8(B)	ZENER DIODE	
D109			1SS133	DIODE	
D110			MC2848	DIODE	
D301			DA204U	DIODE	
D304,305			UDZS6.8B	ZENER DIODE	K4K5
D306			MTZJ6.8(B)	ZENER DIODE	K4K5
D401			1SS133	DIODE	
D404			1SS133	DIODE	K4
D801			MC2848	DIODE	
D803			1SS133	DIODE	
D901			MTZJ4.7(B)	ZENER DIODE	
IC1	*		30302MAPD32FP	MICROCONTROLLER IC	
IC2	*		E-TDA7419	ANALOGUE IC	K4M7
IC3	*		E-TDA7418	ANALOGUE IC	K5
IC4	*		BD4913-V4	ANALOGUE IC	
IC6	*		KKZ10Z	ANALOGUE IC	K4K5
IC6			TB2904HQ	ANALOGUE IC	M7
IC8			S-80836CNNB-J	MOS-IC	
Q1			UMC2N	TRANSISTOR	
Q2			2SB1565	TRANSISTOR	
Q3			2SC4081	TRANSISTOR	
Q4			UMC2N	TRANSISTOR	M7

Ref. No.	Add	New	Parts No.	Description	Destination
Q101-103			2SC4081	TRANSISTOR	
Q104,105			RT1N441M	TRANSISTOR	
Q301			RT1P144M	TRANSISTOR	
Q302			RT1N144M	TRANSISTOR	
Q402			2SC4081	TRANSISTOR	K4
Q701,702			RT1N430M	TRANSISTOR	
Q705			RT1P241M	TRANSISTOR	
Q901			2SC4081	TRANSISTOR	
Q902,903			2SA1576A	TRANSISTOR	
TH1			PRF18BE471QS2	POSITIVE RESISTOR	
A1	2D	*	X86-4030-11	FRONT-END UNIT	
MECHANISM ASSY (X92-5860-00) DXM-6C00W					
1	2B		A10-5328-11	CHASSIS	
2	1B		A10-5329-01	CHASSIS	
5	2B		D10-4910-13	ARM ASSY	
8	2A		D10-4911-03	LEVER ASSY	
10	2A		D10-4906-33	ARM	
11	2A		D10-4907-33	ARM	
12	3A		D10-4908-03	ARM	
13	3A		D10-4909-03	ARM	
14	3B		D10-4915-03	ARM	
15	2A		D10-4916-23	SLIDER	
16	3B		D10-4914-12	SLIDER	
17	2B		D10-4588-13	SLIDER	
18	2B		D10-4917-04	ARM	
19	2B		D10-4596-24	ARM	
22	2A		D13-2151-04	GEAR	
23	2B		D13-2152-04	GEAR	
24	3B		D13-2153-04	GEAR	
25	3B		D13-2154-04	GEAR	
26	3B		D13-2155-04	WORM	
27	2B		D13-2156-14	GEAR	
28	3B		D13-2157-04	GEAR	
29	2B		D13-2158-04	GEAR	
30	2B		D13-2168-04	GEAR	
31	3B		D13-2171-04	GEAR	
32	1B		D13-2400-13	RACK (GEAR)	
33	2A		D14-0759-04	ROLLER	
35	2B		D21-2382-04	SHAFT	
36	1A		D23-0954-04	RETAINER	
37	1B		D39-0246-05	DAMPER	
38	2B		G01-3072-04	EXTENSION SPRING	
39	2A		G01-3073-04	TORSION COIL SPRING	
40	2A		G01-3074-04	EXTENSION SPRING	
41	1B		G01-4615-04	EXTENSION SPRING	
42	2A		G01-3076-04	EXTENSION SPRING	
43	1B		G01-3077-14	EXTENSION SPRING	
44	2B		G02-1399-04	FLAT SPRING	
45	2B		G02-1547-04	FLAT SPRING	
51	1A		J22-0473-21	MOUNTING HARDWARE	
52	3B		J22-0474-12	MOUNTING HARDWARE	
53	1B		J22-0519-03	MOUNTING HARDWARE	
55	1A		J90-1138-31	GUIDE	

K4 : KDC-135 **K5** : KDC-135CR **M7** : KDC-136
(E : Europe **K** : North America **M** : Other Areas **W** : Without Europe)

△ Indicates safety critical components.

KDC-135/135CR/136

PARTS LIST

MECHANISM ASSY (X92-5860-00) DXM-6C00W

Ref. No.	A d d	N e w	Parts No.	Description	Desti- nation
56	1B		J90-1023-03	GUIDE	
DFPC1	3A		J86-0027-05	FPC (LEAD FREE)	
A	2B		N09-4460-15	TAPTITE SCREW (PT2X8)	
B	1B		N09-6317-05	TAPTITE SCREW (1.6X6.0)	
C	2B		N09-6004-15	MACHINE SCREW (M1.7X2.5)	
E	2B		N09-6007-15	MACHINE SCREW (M2X2)	
F	1A		N09-6051-15	TAPTITE SCREW (PT2X5)	
G	2A		N19-2163-04	FLAT WASHER (1.6X6X0.25)	
H	1B		N39-2020-48	PAN HEAD MACHINE SCREW (M2X2)	
J	1B		N09-6108-15	TAPTITE SCREW (M2X3.5)	
K	3B		N09-6155-15	SEMS (TAPTITE SCREW) (PT2X6)	
DM1	3B		T42-1066-14	DC MOTOR (SPINDLE)	
DM2	2B		T42-1067-14	DC MOTOR (LOADING/SLED)	
DPU1	2B		X93-2130-01	OPTICAL PICKUP ASSY (LF)	

Ref. No.	A d d	N e w	Parts No.	Description	Desti- nation