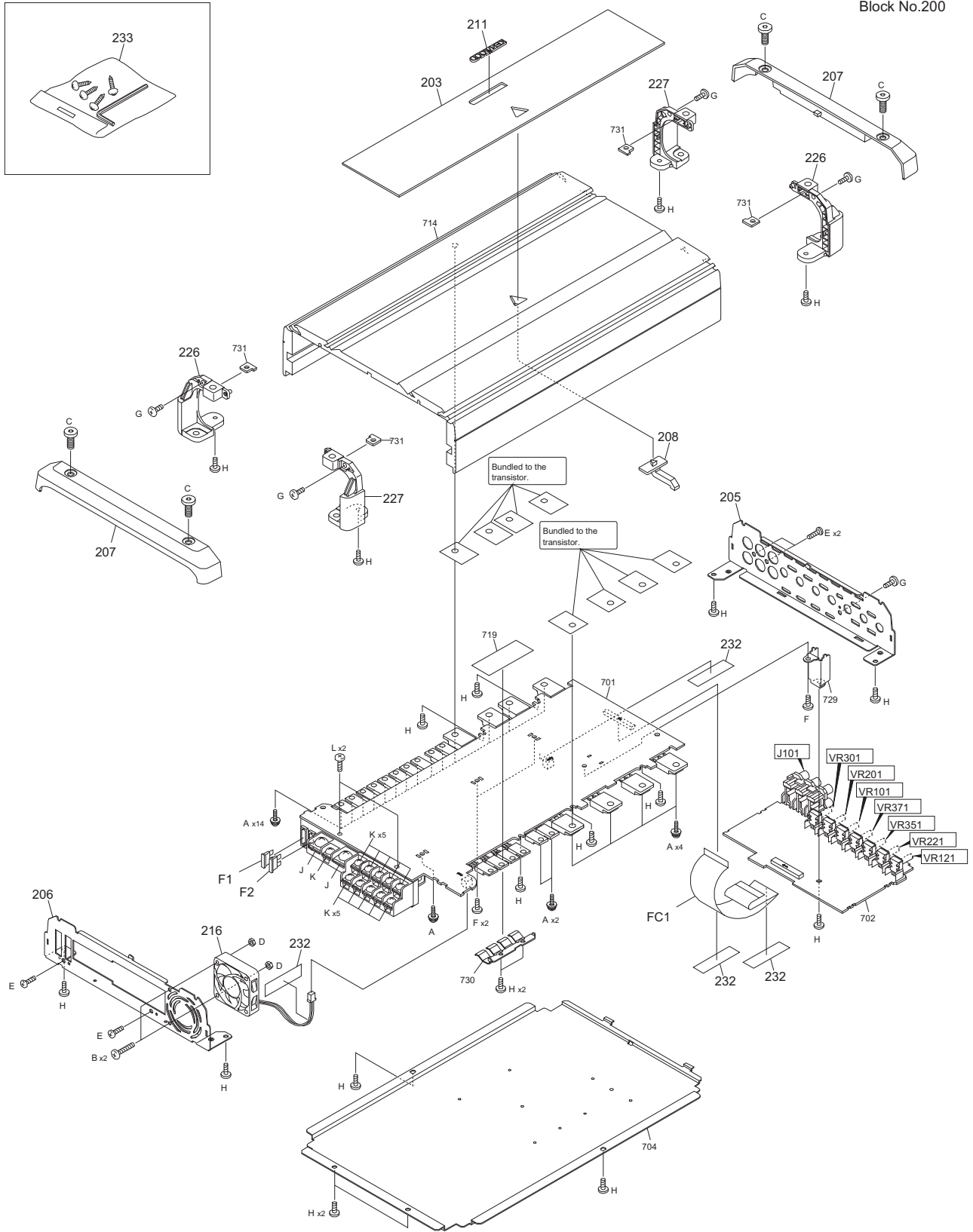


EXPLODED VIEW

Block No.200



MODEL	MARK
X700-5	

Safe	Symbol No.	Parts No.	Parts Name	Description	QTY	Local
EXPLODED VIEW <200>						
△	F1	F52-0046-05	FUSE	40A	1	
△	F2	F52-0046-05	FUSE	40A	1	
	FC1	E39-1254-05	FLAT CABLE		1	
	A	N09-6365-05	TAPTITE SCREW		21	
	B	N09-6865-05	MACHINE SCREW	3x14	2	
	C	N09-6897-05	DRESSED SCREW		4	
	D	N10-2030-48	HEXAGON NUT		2	
	E	N80-3010-43	PAN HEAD TAPTITE SCREW	3x10	4	
	F	N83-3012-48	PAN HEAD TAPTITE SCREW	3x12	3	
	G	N89-3008-43	BINDING HEAD TAPTITE SCREW	3x8	5	
	H	N89-3008-48	BINDING HEAD TAPTITE SCREW	3x8	20	
	J	N09-6393-08	SCREW (M6 Ni)		2	
	K	N09-4215-08	SCREW (M4 Ni)		11	
	L	N09-6447-05	TAPTITE SCREW	3x10	2	
	203	A21-6840-02	DRESSING PANEL		1	
	205	A64-5300-01	PANEL (FRONT)		1	
	206	A64-5301-21	PANEL (REAR)		1	
	207	B07-3366-12	ESCUTCHEON		2	
	208	B19-2613-04	LIGHTING BOARD		1	
	211	B43-1553-04	BADGE		1	
	216	F09-2974-05	FAN	40x40x10	1	
	226	J02-1213-02	FOOT		2	
	227	J02-1214-02	FOOT		2	
	232	J30-1066-14	SPACER		4	
	233	N99-1820-05	WRENCH KEY SET		1	
	-	B64-4905-00	INSTRUCTION MANUAL	ENG SPA FRE	1	
	-	H54-5150-03	ITEM CARTON CASE		1	
PREAMPLIFIER UNIT (X08-4520-10) <X08>						
	IC101	NJM4565E-ZB	ANALOGUE IC		1	
	IC121	NJM4565E-ZB	ANALOGUE IC		1	
	IC141	NJM4565E-ZB	ANALOGUE IC		1	
	IC201	NJM4565E-ZB	ANALOGUE IC		1	
	IC221	NJM4565E-ZB	ANALOGUE IC		1	
	IC241	NJM4565E-ZB	ANALOGUE IC		1	
	IC311	NJM4565E-ZB	ANALOGUE IC		1	
	IC351	NJM4565E-ZB	ANALOGUE IC		1	
	IC371	NJM4565E-ZB	ANALOGUE IC		1	
	IC401	BA4560RF	ANALOGUE IC		1	
	Q141	2SC4154(F)	TRANSISTOR		1	
	Q142	2SC4154(F)	TRANSISTOR		1	
	Q241	2SC4154(F)	TRANSISTOR		1	
	Q242	2SC4154(F)	TRANSISTOR		1	
	Q411	RT1P141M-T111	TRANSISTOR		1	
	Q412	RT1N141M-T111	TRANSISTOR		1	
	Q413	RT1N141M-T111	TRANSISTOR		1	
	D101	RKZ15KG(B2)	Z DIODE		1	
	D102	RKZ15KG(B2)	Z DIODE		1	
	D103	RKZ15KG(B2)	Z DIODE		1	
	D104	RKZ15KG(B2)	Z DIODE		1	
	D191	RKZ6.8KG(B2)	Z DIODE		1	
	D192	RKZ6.8KG(B2)	Z DIODE		1	
	D201	RKZ15KG(B2)	Z DIODE		1	
	D202	RKZ15KG(B2)	Z DIODE		1	
	D203	RKZ15KG(B2)	Z DIODE		1	
	D204	RKZ15KG(B2)	Z DIODE		1	
	D311	RKZ15KG(B2)	Z DIODE		1	
	D312	RKZ15KG(B2)	Z DIODE		1	
	D401	MC2850-T111	DIODE		1	
	D402	MC2850-T111	DIODE		1	
	D411	MC2850-T111	DIODE		1	
	D412	MC2850-T111	DIODE		1	
	C101	CD04BN1H220M	ELECTRO	22UF 50V M	1	
	C102	CD04BN1H220M	ELECTRO	22UF 50V M	1	
	C103	CC73GCH1H102J	CHIP C	1000PF J	1	
	C104	CC73GCH1H102J	CHIP C	1000PF J	1	
	C105	CC73GCH1H100D	CHIP C	10PF 50V D	1	
	C106	CC73GCH1H100D	CHIP C	10PF 50V D	1	
	C107	CC73GCH1H100D	CHIP C	10PF 50V D	1	
	C108	CC73GCH1H100D	CHIP C	10PF 50V D	1	
	C109	CD04BN1H220M	ELECTRO	22UF 50W V	1	
	C110	CD04BN1H220M	ELECTRO	22UF 50W V	1	
	C111	CK73GB1H103K	CHIP C	0.010UF 50V K	1	
	C112	CK73GB1H103K	CHIP C	0.010UF 50V K	1	
	C121	CK73GB1H104K	CHIP C	0.10UF 50V K	1	
	C122	CK73GB1H104K	CHIP C	0.10UF 50V K	1	
	C123	CK73GB1C224K	CHIP C	0.22UF 16V K	1	
	C124	CK73GB1C224K	CHIP C	0.22UF 16V K	1	
	C131	CK73GB1H104K	CHIP C	0.10UF 50V K	1	
	C132	CK73GB1H103K	CHIP C	0.010UF 50V K	1	
	C135	CC73GCH1H020C	CHIP C	2.0PF 50V C	1	
	C136	CC73GCH1H020C	CHIP C	2.0PF 50V C	1	
	C141	CD04BN1H100M	ELECTRO	10UF 50WV	1	
	C142	CD04BN1H100M	ELECTRO	10UF 50WV	1	
	C143	CC73GCH1H101J	CHIP C	100PF 50V J	1	
	C149	CK73GB1H103K	CHIP C	0.010UF 50V K	1	
	C150	CK73GB1H103K	CHIP C	0.010UF 50V K	1	
	C191	CK73GB1H104K	CHIP C	0.10UF 50V K	1	
	C192	CK73GB1H104K	CHIP C	0.10UF 50V K	1	

MODEL	MARK
X700-5	

Safe	Symbol No.	Parts No.	Parts Name	Description	QTY	Local
	C201	CD04BN1H220M	ELECTRO	22UF 50W V	1	
	C202	CD04BN1H220M	ELECTRO	22UF 50W V	1	
	C203	CC73GCH1H102J	CHIP C	1000PF J	1	
	C204	CC73GCH1H102J	CHIP C	1000PF J	1	
	C205	CC73GCH1H100D	CHIP C	10PF 50V D	1	
	C206	CC73GCH1H100D	CHIP C	10PF 50V D	1	
	C207	CC73GCH1H100D	CHIP C	10PF 50V D	1	
	C208	CC73GCH1H100D	CHIP C	10PF 50V D	1	
	C209	CD04BN1H220M	ELECTRO	22UF 50W V	1	
	C210	CD04BN1H220M	ELECTRO	22UF 50W V	1	
	C211	CK73GB1H103K	CHIP C	0.010UF 50V K	1	
	C212	CK73GB1H103K	CHIP C	0.010UF 50V K	1	
	C221	CK73GB1H104K	CHIP C	0.10UF 50V K	1	
	C222	CK73GB1H104K	CHIP C	0.10UF 50V K	1	
	C223	CK73GB1C224K	CHIP C	0.22UF 16V K	1	
	C224	CK73GB1C224K	CHIP C	0.22UF 16V K	1	
	C231	CK73GB1H104K	CHIP C	0.10UF 50V K	1	
	C232	CK73GB1H103K	CHIP C	0.010UF 50V K	1	
	C235	CC73GCH1H020C	CHIP C	2.0PF 50V C	1	
	C236	CC73GCH1H020C	CHIP C	2.0PF 50V C	1	
	C241	CD04BN1H100M	ELECTRO	10UF 50WV	1	
	C242	CD04BN1H100M	ELECTRO	10UF 50WV	1	
	C243	CC73GCH1H101J	CHIP C	100PF 50V J	1	
	C249	CK73GB1H103K	CHIP C	0.010UF 50V K	1	
	C250	CK73GB1H103K	CHIP C	0.010UF 50V K	1	
	C301	CC73GCH1H102J	CHIP C	1000PF J	1	
	C302	CC73GCH1H102J	CHIP C	1000PF J	1	
	C303	CD04BN1H100M	ELECTRO	10UF 50WV	1	
	C304	CD04BN1H100M	ELECTRO	10UF 50WV	1	
	C311	CC73GCH1H100D	CHIP C	10PF 50V D	1	
	C312	CC73GCH1H100D	CHIP C	10PF 50V D	1	
	C313	CD04BN1V470M	ELECTRO	47UF 35WV	1	
	C319	CK73GB1H103K	CHIP C	0.010UF 50V K	1	
	C320	CK73GB1H103K	CHIP C	0.010UF 50V K	1	
	C335	CC73GCH1H180J	CHIP C	18PF 50V J	1	
	C336	CC73GCH1H180J	CHIP C	18PF 50V J	1	
	C351	CK73GB1H683K	CHIP C	0.068UF 50V K	1	
	C352	CK73GB1E154K	CHIP C	0.15UF 25V K	1	
	C353	CK73GB1H223K	CHIP C	0.022UF 50V K	1	
	C359	CK73GB1H103K	CHIP C	0.010UF 50V K	1	
	C360	CK73GB1H103K	CHIP C	0.010UF 50V K	1	
	C361	CK73GB1H683K	CHIP C	0.068UF 50V K	1	
	C362	CK73GB1E154K	CHIP C	0.15UF 25V K	1	
	C363	CK73GB1H333K	CHIP C	0.033UF 50V K	1	
	C373	CC73GCH1H101J	CHIP C	100PF 50V J	1	
	C381	CK73GB1H104K	CHIP C	0.10UF 50V K	1	
	C382	CD04BN1H4R7M	ELECTRO	4.7UF 50WV	1	
	C389	CK73GB1H103K	CHIP C	0.010UF 50V K	1	
	C390	CK73GB1H103K	CHIP C	0.010UF 50V K	1	
	C404	CC73GCH1H101J	CHIP C	100PF 50V J	1	
	C409	CK73GB1H103K	CHIP C	0.010UF 50V K	1	
	C410	CK73GB1H103K	CHIP C	0.010UF 50V K	1	
	C411	CK73GB1H103K	CHIP C	0.010UF 50V K	1	
	C412	CK73GB1H103K	CHIP C	0.010UF 50V K	1	
	R101	RK73GB2A104J	CHIP R	100K J 1/10W	1	
	R102	RK73GB2A104J	CHIP R	100K J 1/10W	1	
	R103	RK73GB2A681J	CHIP R	680 J 1/10W	1	
	R104	RK73GB2A681J	CHIP R	680 J 1/10W	1	
	R105	RK73GB2A431J	CHIP R	430 J 1/10W	1	
	R106	RK73GB2A431J	CHIP R	430 J 1/10W	1	
	R107	RK73GB2A623J	CHIP R	62K J 1/10W	1	
	R108	RK73GB2A623J	CHIP R	62K J 1/10W	1	
	R109	RK73GB2A182J	CHIP R	1.8K J 1/10W	1	
	R110	RK73GB2A182J	CHIP R	1.8K J 1/10W	1	
	R111	RK73GB2A223J	CHIP R	22K J 1/10W	1	
	R112	RK73GB2A223J	CHIP R	22K J 1/10W	1	
	R113	RK73GB2A104J	CHIP R	100K J 1/10W	1	
	R114	RK73GB2A104J	CHIP R	100K J 1/10W	1	
	R121	RK73GB2A912J	CHIP R	9.1K J 1/10W	1	
	R122	RK73GB2A912J	CHIP R	9.1K J 1/10W	1	
	R123	RK73GB2A822J	CHIP R	8.2K J 1/10W	1	
	R124	RK73GB2A822J	CHIP R	8.2K J 1/10W	1	
	R125	RK73GB2A563J	CHIP R	56K J 1/10W	1	
	R126	RK73GB2A563J	CHIP R	56K J 1/10W	1	
	R135	RK73GB2A300J	CHIP R	30 J 1/10W	1	
	R136	RK73GB2A300J	CHIP R	30 J 1/10W	1	
	R141	RK73GB2A223J	CHIP R	22K J 1/10W	1	
	R142	RK73GB2A223J	CHIP R	22K J 1/10W	1	
	R143	RK73GB2A102J	CHIP R	1.0K J 1/10W	1	
	R144	RK73GB2A102J	CHIP R	1.0K J 1/10W	1	
	R145	RK73GB2A393J	CHIP R	39K J 1/10W	1	
	R146	RK73GB2A393J	CHIP R	39K J 1/10W	1	
	R147	RK73GB2A622J	CHIP R	6.2K J 1/10W	1	
	R148	RK73GB2A622J	CHIP R	6.2K J 1/10W	1	
	R149	RK73GB2A622J	CHIP R	6.2K J 1/10W	1	
	R151	RK73GB2A562J	CHIP R	5.6K J 1/10W	1	
	R152	RK73GB2A562J	CHIP R	5.6K J 1/10W	1	
	R153	RK73GB2A103J	CHIP R	10K J 1/10W	1	
	R154	RK73GB2A103J	CHIP R	10K J 1/10W	1	
	R201	RK73GB2A104J	CHIP R	100K J 1/10W	1	
	R202	RK73GB2A104J	CHIP R	100K J 1/10W	1	
	R203	RK73GB2A681J	CHIP R	680 J 1/10W	1	

MODEL	MARK
X700-5	

Safe	Symbol No.	Parts No.	Parts Name	Description	QTY	Local
R204		RK73GB2A681J	CHIP R	680 J 1/10W	1	
R205		RK73GB2A431J	CHIP R	430 J 1/10W	1	
R206		RK73GB2A431J	CHIP R	430 J 1/10W	1	
R207		RK73GB2A623J	CHIP R	62K J 1/10W	1	
R208		RK73GB2A623J	CHIP R	62K J 1/10W	1	
R209		RK73GB2A182J	CHIP R	1.8K J 1/10W	1	
R210		RK73GB2A182J	CHIP R	1.8K J 1/10W	1	
R211		RK73GB2A223J	CHIP R	22K J 1/10W	1	
R212		RK73GB2A223J	CHIP R	22K J 1/10W	1	
R213		RK73GB2A104J	CHIP R	100K J 1/10W	1	
R214		RK73GB2A104J	CHIP R	100K J 1/10W	1	
R221		RK73GB2A912J	CHIP R	9.1K J 1/10W	1	
R222		RK73GB2A912J	CHIP R	9.1K J 1/10W	1	
R223		RK73GB2A822J	CHIP R	8.2K J 1/10W	1	
R224		RK73GB2A822J	CHIP R	8.2K J 1/10W	1	
R225		RK73GB2A563J	CHIP R	56K J 1/10W	1	
R226		RK73GB2A563J	CHIP R	56K J 1/10W	1	
R235		RK73GB2A300J	CHIP R	30 J 1/10W	1	
R236		RK73GB2A300J	CHIP R	30 J 1/10W	1	
R241		RK73GB2A223J	CHIP R	22K J 1/10W	1	
R242		RK73GB2A223J	CHIP R	22K J 1/10W	1	
R243		RK73GB2A102J	CHIP R	1.0K J 1/10W	1	
R244		RK73GB2A102J	CHIP R	1.0K J 1/10W	1	
R245		RK73GB2A393J	CHIP R	39K J 1/10W	1	
R246		RK73GB2A393J	CHIP R	39K J 1/10W	1	
R247		RK73GB2A622J	CHIP R	6.2K J 1/10W	1	
R248		RK73GB2A622J	CHIP R	6.2K J 1/10W	1	
R249		RK73GB2A622J	CHIP R	6.2K J 1/10W	1	
R251		RK73GB2A562J	CHIP R	5.6K J 1/10W	1	
R252		RK73GB2A562J	CHIP R	5.6K J 1/10W	1	
R253		RK73GB2A103J	CHIP R	10K J 1/10W	1	
R254		RK73GB2A103J	CHIP R	10K J 1/10W	1	
R301		RK73GB2A153J	CHIP R	15K J 1/10W	1	
R302		RK73GB2A153J	CHIP R	15K J 1/10W	1	
R303		RK73GB2A102J	CHIP R	1.0K J 1/10W	1	
R304		RK73GB2A102J	CHIP R	1.0K J 1/10W	1	
R305		RK73GB2A223J	CHIP R	22K J 1/10W	1	
R306		RK73GB2A223J	CHIP R	22K J 1/10W	1	
R307		RK73GB2A223J	CHIP R	22K J 1/10W	1	
R308		RK73GB2A431J	CHIP R	430 J 1/10W	1	
R311		RK73GB2A473J	CHIP R	47K J 1/10W	1	
R312		RK73GB2A102J	CHIP R	1.0K J 1/10W	1	
R335		RK73GB2A300J	CHIP R	30 J 1/10W	1	
R336		RK73GB2A300J	CHIP R	30 J 1/10W	1	
R351		RK73GB2A153J	CHIP R	15K J 1/10W	1	
R352		RK73GB2A332J	CHIP R	3.3K J 1/10W	1	
R353		RK73GB2A222J	CHIP R	2.2K J 1/10W	1	
R354		RK73GB2A153J	CHIP R	15K J 1/10W	1	
R361		RK73GB2A153J	CHIP R	15K J 1/10W	1	
R362		RK73GB2A123J	CHIP R	12K J 1/10W	1	
R363		RK73GB2A222J	CHIP R	2.2K J 1/10W	1	
R364		RK73GB2A153J	CHIP R	15K J 1/10W	1	
R371		RK73GB2A222J	CHIP R	2.2K J 1/10W	1	
R372		RK73GB2A103J	CHIP R	10K J 1/10W	1	
R373		RK73GB2A222J	CHIP R	2.2K J 1/10W	1	
R381		RK73GB2A154J	CHIP R	150K J 1/10W	1	
R382		RK73GB2A241J	CHIP R	240 J 1/10W	1	
R391		RK73GB2A470J	CHIP R	47 J 1/10W	1	
R401		RK73GB2A163J	CHIP R	16K J 1/10W	1	
R402		RK73GB2A153J	CHIP R	15K J 1/10W	1	
R403		RK73GB2A103J	CHIP R	10K J 1/10W	1	
R404		RK73GB2A103J	CHIP R	10K J 1/10W	1	
R405		RK73GB2A224J	CHIP R	220K J 1/10W	1	
VR101		R31-0264-05	VARIABLE RESISTOR	10K(A)	1	
VR121		R31-0265-05	VARIABLE RESISTOR	50K(C)	1	
VR201		R31-0264-05	VARIABLE RESISTOR	10K(A)	1	
VR221		R31-0265-05	VARIABLE RESISTOR	50K(C)	1	
VR301		R31-0264-05	VARIABLE RESISTOR	10K(A)	1	
VR351		R31-0265-05	VARIABLE RESISTOR	50K(C)	1	
VR371		R31-0268-05	VARIABLE RESISTOR	10K(15C)	1	
CN101		E41-2180-05	FLAT CABLE CONNECTOR	24P	1	
J101		E63-0992-05	PIN JACK		1	
S101		S62-0842-05	SLIDE SWITCH		1	
S201		S62-0842-05	SLIDE SWITCH		1	
AUDIO UNIT (X09-9110-10) <X09>						
IC431		NJM4565E-ZB	ANALOGUE IC		1	
IC441		BA2903F	ANALOGUE IC		1	
IC451		TC74HC00AFN-F	MOS-IC		1	
IC471		74HC3GU04DP	MOS-IC		1	
IC501		BA4560RF	ANALOGUE IC		1	
IC531		BA2903F	ANALOGUE IC		1	
IC541		BA2903F	ANALOGUE IC		1	
IC621		BA4560RF	ANALOGUE IC		1	
IC681		BA4560RF	ANALOGUE IC		1	
IC682		BA4560RF	ANALOGUE IC		1	
IC821		TL494IDR	ANALOGUE IC		1	
Q101		RT3AMMAM1T111	TRANSISTOR		1	
Q102		RT3AMMAM1T111	TRANSISTOR		1	
Q103		RT3CLLM-T111	TRANSISTOR		1	
Q104		RT3CLLM-T111	TRANSISTOR		1	
Q105		2SA811A	TRANSISTOR		1	

MODEL	MARK
X700-5	

Safe	Symbol No.	Parts No.	Parts Name	Description	QTY	Local
	Q106	2SA811A	TRANSISTOR		1	
	Q107	2SC1622A	TRANSISTOR		1	
	Q108	2SC1622A	TRANSISTOR		1	
	Q109	2SC4081(S)	TRANSISTOR		1	
	Q110	2SC4081(S)	TRANSISTOR		1	
	Q111	2SC1627A-F	TRANSISTOR		1	
	Q112	2SC1627A-F	TRANSISTOR		1	
	Q113	2SA817A-F	TRANSISTOR		1	
	Q114	2SA817A-F	TRANSISTOR		1	
	Q115	2SC4467NF	TRANSISTOR		1	
	Q116	2SC4467NF	TRANSISTOR		1	
	Q117	2SA1694NF	TRANSISTOR		1	
	Q118	2SA1694NF	TRANSISTOR		1	
	Q151	2SC4213-F(B)	TRANSISTOR		1	
	Q152	2SC4213-F(B)	TRANSISTOR		1	
	Q161	2SC4154(F)	TRANSISTOR		1	
	Q162	2SC4154(F)	TRANSISTOR		1	
	Q171	2SC4154(F)	TRANSISTOR		1	
	Q172	2SC4154(F)	TRANSISTOR		1	
	Q185	ISA1602AM1(F)	TRANSISTOR		1	
	Q201	RT3AMMAM1T111	TRANSISTOR		1	
	Q202	RT3AMMAM1T111	TRANSISTOR		1	
	Q203	RT3CLLM-T111	TRANSISTOR		1	
	Q204	RT3CLLM-T111	TRANSISTOR		1	
	Q205	2SA811A	TRANSISTOR		1	
	Q206	2SA811A	TRANSISTOR		1	
	Q207	2SC1622A	TRANSISTOR		1	
	Q208	2SC1622A	TRANSISTOR		1	
	Q209	2SC4081(S)	TRANSISTOR		1	
	Q210	2SC4081(S)	TRANSISTOR		1	
	Q211	2SC1627A-F	TRANSISTOR		1	
	Q212	2SC1627A-F	TRANSISTOR		1	
	Q213	2SA817A-F	TRANSISTOR		1	
	Q214	2SA817A-F	TRANSISTOR		1	
	Q215	2SC4467NF	TRANSISTOR		1	
	Q216	2SC4467NF	TRANSISTOR		1	
	Q217	2SA1694NF	TRANSISTOR		1	
	Q218	2SA1694NF	TRANSISTOR		1	
	Q251	2SC4213-F(B)	TRANSISTOR		1	
	Q252	2SC4213-F(B)	TRANSISTOR		1	
	Q261	2SC4154(F)	TRANSISTOR		1	
	Q262	2SC4154(F)	TRANSISTOR		1	
	Q271	2SC4154(F)	TRANSISTOR		1	
	Q272	2SC4154(F)	TRANSISTOR		1	
	Q285	ISA1602AM1(F)	TRANSISTOR		1	
	Q301	ISA1602AM1(F)	TRANSISTOR		1	
	Q302	2SA1689(E,F)	TRANSISTOR		1	
	Q303	2SC4449(E,F)	TRANSISTOR		1	
	Q304	2SA1689(E,F)	TRANSISTOR		1	
	Q305	2SA1370	TRANSISTOR		1	
	Q311	2SC3415S	TRANSISTOR		1	
	Q312	2SC3902	TRANSISTOR		1	
	Q313	2SC3415S	TRANSISTOR		1	
	Q314	2SC3902	TRANSISTOR		1	
	Q315	2SB1427	TRANSISTOR		1	
	Q316	2SB1427	TRANSISTOR		1	
	Q317	IRFB31N20DPBF	FET		1	
	Q318	IRFB31N20DPBF	FET		1	
	Q319	IRFB31N20DPBF	FET		1	
	Q320	IRFB31N20DPBF	FET		1	
	Q331	RT1P141M-T111	TRANSISTOR		1	
	Q332	2SC4154(F)	TRANSISTOR		1	
	Q341	2SC4497-F	TRANSISTOR		1	
	Q342	2SC4497-F	TRANSISTOR		1	
	Q343	2SA1721-F	TRANSISTOR		1	
	Q344	2SA1721-F	TRANSISTOR		1	
	Q361	2SA1163-F	TRANSISTOR		1	
	Q362	2SA1163-F	TRANSISTOR		1	
	Q363	2SC2713-F	TRANSISTOR		1	
	Q421	2SC4213-F(B)	TRANSISTOR		1	
	Q511	ISA1602AM1(F)	TRANSISTOR		1	
	Q512	2SC4154(F)	TRANSISTOR		1	
	Q551	2SC4154(F)	TRANSISTOR		1	
	Q552	2SC4154(F)	TRANSISTOR		1	
	Q611	RT1P141M-T111	TRANSISTOR		1	
	Q612	RT1N141M-T111	TRANSISTOR		1	
	Q613	RT1N141M-T111	TRANSISTOR		1	
	Q661	2SC4154(F)	TRANSISTOR		1	
	Q662	RT1P141M-T111	TRANSISTOR		1	
	Q663	RT1N141M-T111	TRANSISTOR		1	
	Q671	2SK3019	FET		1	
	Q672	2SC4154(F)	TRANSISTOR		1	
	Q751	2SD1760	TRANSISTOR		1	
	Q752	2SB1184	TRANSISTOR		1	
	Q753	ISA1602AM1(F)	TRANSISTOR		1	
	Q754	ISA1602AM1(F)	TRANSISTOR		1	
	Q761	2SC1627A-F	TRANSISTOR		1	
	Q801	2SA1577	TRANSISTOR		1	
	Q802	2SA1577	TRANSISTOR		1	
	Q811	STP60NF06FP	FET		1	
	Q812	STP60NF06FP	FET		1	
	Q813	STP60NF06FP	FET		1	

MODEL	MARK
X700-5	

Safe	Symbol No.	Parts No.	Parts Name	Description	QTY	Local
	Q814	STP60NF06FP	FET		1	
	Q815	STP60NF06FP	FET		1	
	Q816	STP60NF06FP	FET		1	
	Q817	STP60NF06FP	FET		1	
	Q818	STP60NF06FP	FET		1	
	Q841	RT1P141M-T111	TRANSISTOR		1	
	Q842	RT1N141M-T111	TRANSISTOR		1	
	Q861	RT1N141M-T111	TRANSISTOR		1	
	Q862	RT1N141M-T111	TRANSISTOR		1	
	Q865	2SK3019	FET		1	
	Q871	2SB1189	TRANSISTOR		1	
	Q872	2SC4154(F)	TRANSISTOR		1	
	Q873	2SC4154(F)	TRANSISTOR		1	
	Q891	KTD1863-P	TRANSISTOR		1	
	Q896	2SC4154(F)	TRANSISTOR		1	
	Q931	2SK3019	FET		1	
	Q932	RT1P141M-T111	TRANSISTOR		1	
	D101	HSU119TRF-E	DIODE		1	
	D102	HSU119TRF-E	DIODE		1	
	D103	HSU119TRF-E	DIODE		1	
	D104	HSU119TRF-E	DIODE		1	
	D105	HSU119TRF-E	DIODE		1	
	D106	HSU119TRF-E	DIODE		1	
	D107	HSU119TRF-E	DIODE		1	
	D108	HSU119TRF-E	DIODE		1	
	D161	HSU119TRF-E	DIODE		1	
	D162	HSU119TRF-E	DIODE		1	
	D171	HSU119TRF-E	DIODE		1	
	D172	HSU119TRF-E	DIODE		1	
	D181	RKZ5.1KG(B2)	Z DIODE		1	
	D182	RKZ5.1KG(B2)	Z DIODE		1	
	D185	HSU119TRF-E	DIODE		1	
	D201	HSU119TRF-E	DIODE		1	
	D202	HSU119TRF-E	DIODE		1	
	D203	HSU119TRF-E	DIODE		1	
	D204	HSU119TRF-E	DIODE		1	
	D205	HSU119TRF-E	DIODE		1	
	D206	HSU119TRF-E	DIODE		1	
	D207	HSU119TRF-E	DIODE		1	
	D208	HSU119TRF-E	DIODE		1	
	D261	HSU119TRF-E	DIODE		1	
	D262	HSU119TRF-E	DIODE		1	
	D271	HSU119TRF-E	DIODE		1	
	D272	HSU119TRF-E	DIODE		1	
	D281	RKZ5.1KG(B2)	Z DIODE		1	
	D282	RKZ5.1KG(B2)	Z DIODE		1	
	D285	HSU119TRF-E	DIODE		1	
	D331	HSU119TRF-E	DIODE		1	
	D442	HSU119TRF-E	DIODE		1	
	D443	RKZ5.6KG(B2)	Z DIODE		1	
	D444	RKZ5.6KG(B2)	Z DIODE		1	
	D451	HSU119TRF-E	DIODE		1	
	D453	HSU119TRF-E	DIODE		1	
	D454	HSU119TRF-E	DIODE		1	
	D461	RKZ5.1KG(B2)	Z DIODE		1	
	D501	HSU119TRF-E	DIODE		1	
	D502	HSU119TRF-E	DIODE		1	
	D514	HSU119TRF-E	DIODE		1	
	D521	HSU119TRF-E	DIODE		1	
	D522	HSU119TRF-E	DIODE		1	
	D535	LM1MA142WK-G	DIODE		1	
	D541	HSU119TRF-E	DIODE		1	
	D601	HSU119TRF-E	DIODE		1	
	D621	HSU119TRF-E	DIODE		1	
	D622	HSU119TRF-E	DIODE		1	
	D651	HSU119TRF-E	DIODE		1	
	D652	HSU119TRF-E	DIODE		1	
	D653	RKZ6.8KG(B2)	Z DIODE		1	
	D671	HSU119TRF-E	DIODE		1	
	D684	RKZ5.1KG(B2)	Z DIODE		1	
	D687	RKZ5.1KG(B2)	Z DIODE		1	
	D701	FCH10A20	DIODE		1	
	D702	FRH10A20	DIODE		1	
	D711	FCH10A20	DIODE		1	
	D712	FRH10A20	DIODE		1	
	D721	HSU119TRF-E	DIODE		1	
	D722	HSU119TRF-E	DIODE		1	
	D723	HSU119TRF-E	DIODE		1	
	D724	HSU119TRF-E	DIODE		1	
	D751	RKZ15KG(B2)	Z DIODE		1	
	D752	RKZ15KG(B2)	Z DIODE		1	
	D762	RKZ15KG(B2)	Z DIODE		1	
	D801	HSU119TRF-E	DIODE		1	
	D802	HSU119TRF-E	DIODE		1	
	D851	HSU119TRF-E	DIODE		1	
	D853	HSU119TRF-E	DIODE		1	
	D861	B30-1743-05	LED(RE D LED)	RED LED	1	
	D874	RKZ15KG(B2)	Z DIODE		1	
	D875	RKZ6.8KG(B2)	Z DIODE		1	
	D891	RKZ12KG(B2)	Z DIODE		1	
	D892	HSU119TRF-E	DIODE		1	
	D893	1SR154-400	DIODE		1	

MODEL	MARK
X700-5	

Safe	Symbol No.	Parts No.	Parts Name	Description	QTY	Local
	D896	HSU119TRF-E	DIODE		1	
	D897	HSU119TRF-E	DIODE		1	
	D921	HSU119TRF-E	DIODE		1	
	D923	HSU119TRF-E	DIODE		1	
	D925	HSU119TRF-E	DIODE		1	
	D926	RKZ15KG(B2)	Z DIODE		1	
	C101	CC73GCH1H470J	CHIP C	47PF 50V J	1	
	C102	CC73GCH1H470J	CHIP C	47PF 50V J	1	
	C103	CC73GCH1H220J	CHIP C	22PF 50V J	1	
	C104	CC73GCH1H220J	CHIP C	22PF 50V J	1	
	C105	CK73GB1H103K	CHIP C	0.010UF 50V K	1	
	C106	CK73GB1H103K	CHIP C	0.010UF 50V K	1	
	C141	CD04BJ1A221M	ELECTRO	220UF 10V M	1	
	C142	CD04BJ1A221M	ELECTRO	220UF 10V M	1	
	C143	CC73GCH1H050C	CHIP C	5.0PF 50V C	1	
	C144	CC73GCH1H050C	CHIP C	5.0PF 50V C	1	
	C161	CK73GB1H332K	CHIP C	3300PF 50V K	1	
	C162	CK73GB1H332K	CHIP C	3300PF 50V K	1	
	C171	CK73GB1H103K	CHIP C	0.010UF 50V K	1	
	C172	CK73GB1H103K	CHIP C	0.010UF 50V K	1	
	C181	CK73GB1H332K	CHIP C	3300PF 50V K	1	
	C182	CK73GB1H332K	CHIP C	3300PF 50V K	1	
	C191	CK73GB1H473K	CHIP C	0.047UF 50V K	1	
	C192	CK73GB1H473K	CHIP C	0.047UF 50V K	1	
	C201	CC73GCH1H470J	CHIP C	47PF 50V J	1	
	C202	CC73GCH1H470J	CHIP C	47PF 50V J	1	
	C203	CC73GCH1H220J	CHIP C	22PF 50V J	1	
	C204	CC73GCH1H220J	CHIP C	22PF 50V J	1	
	C205	CK73GB1H103K	CHIP C	0.010UF 50V K	1	
	C206	CK73GB1H103K	CHIP C	0.010UF 50V K	1	
	C241	CD04BJ1A221M	ELECTRO	220UF 10V M	1	
	C242	CD04BJ1A221M	ELECTRO	220UF 10V M	1	
	C243	CC73GCH1H050C	CHIP C	5.0PF 50V C	1	
	C244	CC73GCH1H050C	CHIP C	5.0PF 50V C	1	
	C261	CK73GB1H332K	CHIP C	3300PF 50V K	1	
	C262	CK73GB1H332K	CHIP C	3300PF 50V K	1	
	C271	CK73GB1H103K	CHIP C	0.010UF 50V K	1	
	C272	CK73GB1H103K	CHIP C	0.010UF 50V K	1	
	C281	CK73GB1H332K	CHIP C	3300PF 50V K	1	
	C282	CK73GB1H332K	CHIP C	3300PF 50V K	1	
	C291	CK73GB1H473K	CHIP C	0.047UF 50V K	1	
	C292	CK73GB1H473K	CHIP C	0.047UF 50V K	1	
	C317	C91-2292-05	CHIP C	0.047UF 200V	1	
	C331	CK73GB1H682K	CHIP C	6800PF 50V K	1	
	C351	C91-2295-05	CHIP C	1500PF 100V K	1	
	C352	CK73GB1H223K	CHIP C	0.022UF 50V K	1	
	C353	CK73GB1H223K	CHIP C	0.022UF 50V K	1	
	C354	C91-2290-05	CHIP C	4.7UF 250V	1	
	C355	C91-2290-05	CHIP C	4.7UF 250V	1	
	C356	C91-2290-05	CHIP C	4.7UF 250V	1	
	C361	CK73GB1H102K	CHIP C	1000PF 50V K	1	
	C362	CK73GB1H102K	CHIP C	1000PF 50V K	1	
	C401	CD04BN1H2R2M	ELECTRO	2.2UF 50VW	1	
	C405	CK73GB1H104K	CHIP C	0.10UF 50V K	1	
	C407	CC73GCH1H470J	CHIP C	47PF 50V J	1	
	C409	CK73GB1H102K	CHIP C	1000PF 50V K	1	
	C413	CK73GB1H332K	CHIP C	3300PF 50V K	1	
	C431	CK73GB1H103K	CHIP C	0.010UF 50V K	1	
	C432	CC73GCH1H331J	CHIP C	330PF 50V J	1	
	C441	CK73GB1H103K	CHIP C	0.010UF 50V K	1	
	C442	CK73GB1H103K	CHIP C	0.010UF 50V K	1	
	C453	CC73GCH1H560J	CHIP C	56PF 50V J	1	
	C454	CC73GCH1H470J	CHIP C	47PF 50V J	1	
	C461	CD04BN1V470M	ELECTRO	47UF 35VW	1	
	C462	CK73GB1H103K	CHIP C	0.010UF 50V K	1	
	C463	CC73GCH1H180J	CHIP C	18PF 50V J	1	
	C501	CD04BN1H100M	ELECTRO	10UF 50V M	1	
	C508	CD04BN1H100M	ELECTRO	10UF 50V M	1	
	C509	CK73GB1H103K	CHIP C	0.010UF 50V K	1	
	C510	CK73GB1H103K	CHIP C	0.010UF 50V K	1	
	C512	CK73GB1H103K	CHIP C	0.010UF 50V K	1	
	C513	CK73FB1C684K	CHIP C	0.68UF 16V K	1	
	C514	CK73GB1H102K	CHIP C	1000PF 50V K	1	
	C523	CK73GB1H102K	CHIP C	1000PF 50V K	1	
	C531	CK73GB1H103K	CHIP C	0.010UF 50V K	1	
	C546	CD04BN1V470M	ELECTRO	47UF 35V M	1	
	C551	CD04BN1C101M	ELECTRO	100UF 16V M	1	
	C611	CK73GB1H103K	CHIP C	0.010UF 50V K	1	
	C612	CK73GB1H103K	CHIP C	0.010UF 50V K	1	
	C620	CK73GB1H103K	CHIP C	0.010UF 50V K	1	
	C624	CC73GCH1H101J	CHIP C	100PF 50V J	1	
	C629	CK73GB1H103K	CHIP C	0.010UF 50V K	1	
	C651	CD04BN1H330M	ELECTRO	33UF 50V M	1	
	C672	CK73GB1H103K	CHIP C	0.010UF 50V K	1	
	C689	CK73GB1H104K	CHIP C	0.10UF 50V K	1	
	C690	CK73GB1H104K	CHIP C	0.10UF 50V K	1	
	C701	C90-7002-05	ELECTRO	2200UF 35V	1	
	C702	C90-7002-05	ELECTRO	2200UF 35V	1	
	C703	CK73GB1H152K	CHIP C	1500PF 50V K	1	
	C704	CK73GB1H152K	CHIP C	1500PF 50V K	1	
	C711	C90-6933-05	ELECTRO	1500UF 100V	1	
	C712	C90-6933-05	ELECTRO	1500UF 100V	1	
	C713	CK73GB1H222K	CHIP C	2200PF K	1	

MODEL	MARK
X700-5	

Safe	Symbol No.	Parts No.	Parts Name	Description	QTY	Local
	C714	CK73GB1H222K	CHIP C	2200PF K	1	
	C715	CK73GB1H222K	CHIP C	2200PF K	1	
	C716	CK73GB1H222K	CHIP C	2200PF K	1	
	C717	CC73GCH1H180J	CHIP C	18PF 50V J	1	
	C718	CC73GCH1H180J	CHIP C	18PF 50V J	1	
	C719	CC73GCH1H180J	CHIP C	18PF 50V J	1	
	C720	CC73GCH1H180J	CHIP C	18PF 50V J	1	
	C721	CD04BN1V470M	ELECTRO	47UF 35WV	1	
	C727	CC73GCH1H020C	CHIP C	2.0PF 50V C	1	
	C728	CC73GCH1H020C	CHIP C	2.0PF 50V C	1	
	C729	CC73GCH1H020C	CHIP C	2.0PF 50V C	1	
	C730	CC73GCH1H020C	CHIP C	2.0PF 50V C	1	
	C731	CC73GCH1H180J	CHIP C	18PF 50V J	1	
	C751	CD04BN1H100M	ELECTRO	10UF 50V M	1	
	C752	CD04BN1H100M	ELECTRO	10UF 50V M	1	
	C753	CD04BN1V470M	ELECTRO	47UF 35WV	1	
	C754	CD04BN1V470M	ELECTRO	47UF 35WV	1	
	C762	CD04BN1V470M	ELECTRO	47UF 35WV	1	
	C763	CD04BN1V470M	ELECTRO	47UF 35WV	1	
	C811	C90-6936-05	ELECTRO	3900UF 16V	1	
	C812	C90-6936-05	ELECTRO	3900UF 16V	1	
	C821	CK73GB1H332K	CHIP C	3300PF 50V K	1	
	C825	CD04BN1V470M	ELECTRO	47UF 35WV	1	
	C828	CK73GB1H102K	CHIP C	1000PF 50V K	1	
	C831	CK73GB1H104K	CHIP C	0.10UF 50V K	1	
	C832	CK73GB1H104K	CHIP C	0.10UF 50V K	1	
	C841	CK73FB1C105K	CHIP C	1.0UF 16V K	1	
	C842	CK73GB1H102K	CHIP C	1000PF 50V K	1	
	C863	CK73GB1H103K	CHIP C	0.010UF 50V K	1	
	C871	CD04AU1H100M	NP-ELEC	10UF 50V M	1	
	C873	CK73GB1H103K	CHIP C	0.010UF 50V K	1	
	C881	CK73EB1H474K	CHIP C	0.47UF K	1	
	C891	CK73GB1C225K	CHIP C	2.2UF 16V K	1	
	C892	CD04BN1H100M	ELECTRO	10UF 50V M	1	
	C893	CK73GB1H103K	CHIP C	0.010UF 50V K	1	
	C896	CD04BN1H100M	ELECTRO	10UF 50V M	1	
	C901	CK73GB1H103K	CHIP C	0.010UF 50V K	1	
	C903	CK73GB1H103K	CHIP C	0.010UF 50V K	1	
	C926	CK73EB1E105K	CHIP C	1.0UF 25V K	1	
	C931	CK73GB1H332K	CHIP C	3300PF 50V K	1	
	R101	RK73GB2A472J	CHIP R	4.7K J 1/10W	1	
	R102	RK73GB2A472J	CHIP R	4.7K J 1/10W	1	
	R103	RK73GB2A681J	CHIP R	680 J 1/10W	1	
	R104	RK73GB2A681J	CHIP R	680 J 1/10W	1	
	R105	RK73GB2A681J	CHIP R	680 J 1/10W	1	
	R106	RK73GB2A681J	CHIP R	680 J 1/10W	1	
	R107	RK73GB2A472J	CHIP R	4.7K J 1/10W	1	
	R108	RK73GB2A472J	CHIP R	4.7K J 1/10W	1	
	R109	RK73GB2A681J	CHIP R	680 J 1/10W	1	
	R110	RK73GB2A681J	CHIP R	680 J 1/10W	1	
	R111	RK73GB2A681J	CHIP R	680 J 1/10W	1	
	R112	RK73GB2A681J	CHIP R	680 J 1/10W	1	
	R113	RK73GB2A101J	CHIP R	100 J 1/10W	1	
	R114	RK73GB2A101J	CHIP R	100 J 1/10W	1	
	R115	RK73GB2A101J	CHIP R	100 J 1/10W	1	
	R116	RK73GB2A101J	CHIP R	100 J 1/10W	1	
	R117	RK73GB2A224J	CHIP R	220K J 1/10W	1	
	R118	RK73GB2A224J	CHIP R	220K J 1/10W	1	
	R119	RK73GB2A224J	CHIP R	220K J 1/10W	1	
	R120	RK73GB2A224J	CHIP R	220K J 1/10W	1	
	R121	RK73GB2A182J	CHIP R	1.8K J 1/10W	1	
	R122	RK73GB2A182J	CHIP R	1.8K J 1/10W	1	
	R123	RK73GB2A101J	CHIP R	100 J 1/10W	1	
	R124	RK73GB2A101J	CHIP R	100 J 1/10W	1	
	R125	RK73GB2A561J	CHIP R	560 J 1/10W	1	
	R126	RK73GB2A561J	CHIP R	560 J 1/10W	1	
	R127	RK73GB2A560J	CHIP R	56 J 1/10W	1	
	R128	RK73GB2A560J	CHIP R	56 J 1/10W	1	
	R129	RK73FB2B470J	CHIP R	47 J 1/8W	1	
	R130	RK73FB2B470J	CHIP R	47 J 1/8W	1	
	R131	RK73FB2B470J	CHIP R	47 J 1/8W	1	
	R132	RK73FB2B470J	CHIP R	47 J 1/8W	1	
	R133	RK73EB2E561J	CHIP R	560 J 1/4W	1	
	R134	RK73EB2E561J	CHIP R	560 J 1/4W	1	
	R135	RK73EB2E4R7J	CHIP R	4.7 J 1/4W	1	
	R136	RK73EB2E4R7J	CHIP R	4.7 J 1/4W	1	
	R137	RK73EB2E4R7J	CHIP R	4.7 J 1/4W	1	
	R138	RK73EB2E4R7J	CHIP R	4.7 J 1/4W	1	
	R139	R92-5413-05	METAL R	0.1 J 2W	1	
	R140	R92-5413-05	METAL R	0.1 J 2W	1	
	R141	R92-5413-05	METAL R	0.1 J 2W	1	
	R142	R92-5413-05	METAL R	0.1 J 2W	1	
	R143	RK73GB2A433J	CHIP R	43K J 1/10W	1	
	R144	RK73GB2A433J	CHIP R	43K J 1/10W	1	
	R145	RK73GB2A302J	CHIP R	3.0K J 1/10W	1	
	R146	RK73GB2A302J	CHIP R	3.0K J 1/10W	1	
	R153	RK73GB2A472J	CHIP R	4.7K J 1/10W	1	
	R154	RK73GB2A472J	CHIP R	4.7K J 1/10W	1	
	R155	RK73GB2A103J	CHIP R	10K J 1/10W	1	
	R156	RK73GB2A103J	CHIP R	10K J 1/10W	1	
	R161	RK73GB2A122J	CHIP R	1.2K J 1/10W	1	
	R162	RK73GB2A122J	CHIP R	1.2K J 1/10W	1	

MODEL	MARK
X700-5	

Safe	Symbol No.	Parts No.	Parts Name	Description	QTY	Local
	R163	RK73GB2A102J	CHIP R	1.0K J 1/10W	1	
	R164	RK73GB2A102J	CHIP R	1.0K J 1/10W	1	
	R171	RK73GB2A561J	CHIP R	560 J 1/10W	1	
	R172	RK73GB2A561J	CHIP R	560 J 1/10W	1	
	R173	RK73GB2A102J	CHIP R	1.0K J 1/10W	1	
	R174	RK73GB2A102J	CHIP R	1.0K J 1/10W	1	
	R181	RK73EB2E392J	CHIP R	3.9K J 1/4W	1	
	R182	RK73EB2E392J	CHIP R	3.9K J 1/4W	1	
	R185	RK73GB2A103J	CHIP R	10K J 1/10W	1	
	R186	RK73GB2A103J	CHIP R	10K J 1/10W	1	
	R188	RK73GB2A102J	CHIP R	1.0K J 1/10W	1	
	R191	RK73EB2E4R7J	CHIP R	4.7 J 1/4W	1	
	R192	RK73EB2E4R7J	CHIP R	4.7 J 1/4W	1	
	R201	RK73GB2A472J	CHIP R	4.7K J 1/10W	1	
	R202	RK73GB2A472J	CHIP R	4.7K J 1/10W	1	
	R203	RK73GB2A681J	CHIP R	680 J 1/10W	1	
	R204	RK73GB2A681J	CHIP R	680 J 1/10W	1	
	R205	RK73GB2A681J	CHIP R	680 J 1/10W	1	
	R206	RK73GB2A681J	CHIP R	680 J 1/10W	1	
	R207	RK73GB2A472J	CHIP R	4.7K J 1/10W	1	
	R208	RK73GB2A472J	CHIP R	4.7K J 1/10W	1	
	R209	RK73GB2A681J	CHIP R	680 J 1/10W	1	
	R210	RK73GB2A681J	CHIP R	680 J 1/10W	1	
	R211	RK73GB2A681J	CHIP R	680 J 1/10W	1	
	R212	RK73GB2A681J	CHIP R	680 J 1/10W	1	
	R213	RK73GB2A101J	CHIP R	100 J 1/10W	1	
	R214	RK73GB2A101J	CHIP R	100 J 1/10W	1	
	R215	RK73GB2A101J	CHIP R	100 J 1/10W	1	
	R216	RK73GB2A101J	CHIP R	100 J 1/10W	1	
	R217	RK73GB2A224J	CHIP R	220K J 1/10W	1	
	R218	RK73GB2A224J	CHIP R	220K J 1/10W	1	
	R219	RK73GB2A224J	CHIP R	220K J 1/10W	1	
	R220	RK73GB2A224J	CHIP R	220K J 1/10W	1	
	R221	RK73GB2A182J	CHIP R	1.8K J 1/10W	1	
	R222	RK73GB2A182J	CHIP R	1.8K J 1/10W	1	
	R223	RK73GB2A101J	CHIP R	100 J 1/10W	1	
	R224	RK73GB2A101J	CHIP R	100 J 1/10W	1	
	R225	RK73GB2A561J	CHIP R	560 J 1/10W	1	
	R226	RK73GB2A561J	CHIP R	560 J 1/10W	1	
	R227	RK73GB2A560J	CHIP R	56 J 1/10W	1	
	R228	RK73GB2A560J	CHIP R	56 J 1/10W	1	
	R229	RK73FB2B470J	CHIP R	47 J 1/8W	1	
	R230	RK73FB2B470J	CHIP R	47 J 1/8W	1	
	R231	RK73FB2B470J	CHIP R	47 J 1/8W	1	
	R232	RK73FB2B470J	CHIP R	47 J 1/8W	1	
	R233	RK73EB2E561J	CHIP R	560 J 1/4W	1	
	R234	RK73EB2E561J	CHIP R	560 J 1/4W	1	
	R235	RK73EB2E4R7J	CHIP R	4.7 J 1/4W	1	
	R236	RK73EB2E4R7J	CHIP R	4.7 J 1/4W	1	
	R237	RK73EB2E4R7J	CHIP R	4.7 J 1/4W	1	
	R238	RK73EB2E4R7J	CHIP R	4.7 J 1/4W	1	
	R239	R92-5413-05	METAL R	0.1 J 2W	1	
	R240	R92-5413-05	METAL R	0.1 J 2W	1	
	R241	R92-5413-05	METAL R	0.1 J 2W	1	
	R242	R92-5413-05	METAL R	0.1 J 2W	1	
	R243	RK73GB2A433J	CHIP R	43K J 1/10W	1	
	R244	RK73GB2A433J	CHIP R	43K J 1/10W	1	
	R245	RK73GB2A302J	CHIP R	3.0K J 1/10W	1	
	R246	RK73GB2A302J	CHIP R	3.0K J 1/10W	1	
	R253	RK73GB2A472J	CHIP R	4.7K J 1/10W	1	
	R254	RK73GB2A472J	CHIP R	4.7K J 1/10W	1	
	R255	RK73GB2A103J	CHIP R	10K J 1/10W	1	
	R256	RK73GB2A103J	CHIP R	10K J 1/10W	1	
	R261	RK73GB2A122J	CHIP R	1.2K J 1/10W	1	
	R262	RK73GB2A122J	CHIP R	1.2K J 1/10W	1	
	R263	RK73GB2A102J	CHIP R	1.0K J 1/10W	1	
	R264	RK73GB2A102J	CHIP R	1.0K J 1/10W	1	
	R271	RK73GB2A561J	CHIP R	560 J 1/10W	1	
	R272	RK73GB2A561J	CHIP R	560 J 1/10W	1	
	R273	RK73GB2A102J	CHIP R	1.0K J 1/10W	1	
	R274	RK73GB2A102J	CHIP R	1.0K J 1/10W	1	
	R281	RK73EB2E392J	CHIP R	3.9K J 1/4W	1	
	R282	RK73EB2E392J	CHIP R	3.9K J 1/4W	1	
	R285	RK73GB2A103J	CHIP R	10K J 1/10W	1	
	R286	RK73GB2A103J	CHIP R	10K J 1/10W	1	
	R288	RK73GB2A102J	CHIP R	1.0K J 1/10W	1	
	R291	RK73EB2E4R7J	CHIP R	4.7 J 1/4W	1	
	R292	RK73EB2E4R7J	CHIP R	4.7 J 1/4W	1	
	R301	RK73GB2A472J	CHIP R	4.7K J 1/10W	1	
	R302	RK73GB2A472J	CHIP R	4.7K J 1/10W	1	
	R303	RK73GB2A182J	CHIP R	1.8K J 1/10W	1	
	R304	RK73GB2A681J	CHIP R	680 J 1/10W	1	
	R305	RK73GB2A751J	CHIP R	750 J 1/10W	1	
	R306	RK73GB2A681J	CHIP R	680 J 1/10W	1	
	R307	RK73GB2A471J	CHIP R	470 J 1/10W	1	
	R308	RK73GB2A911J	CHIP R	910 J 1/10W	1	
	R309	RK73GB2A510J	CHIP R	51 J 1/10W	1	
	R311	RK73EB2E101J	CHIP R	100 J 1/4W	1	
	R312	RK73EB2E510J	CHIP R	51 J 1/4W	1	
	R313	RK73EB2E101J	CHIP R	100 J 1/4W	1	
	R314	RK73EB2E510J	CHIP R	51 J 1/4W	1	
	R315	RK73GB2A473J	CHIP R	47K J 1/10W	1	
	R316	RK73GB2A473J	CHIP R	47K J 1/10W	1	

MODEL	MARK
X700-5	

Safe	Symbol No.	Parts No.	Parts Name	Description	QTY	Local
	R317	RK73EB2E100J	CHIP R	10 J 1/4W	1	
	R318	RK73EB2E100J	CHIP R	10 J 1/4W	1	
	R319	RK73EB2E100J	CHIP R	10 J 1/4W	1	
	R320	RK73EB2E100J	CHIP R	10 J 1/4W	1	
	R321	RK73EB2E151J	CHIP R	150 J 1/4W	1	
	R323	RK73EB2E181J	CHIP R	180 J 1/4W	1	
	R331	RK73GB2A103J	CHIP R	10K J 1/10W	1	
	R332	RK73GB2A103J	CHIP R	10K J 1/10W	1	
	R333	RK73GB2A182J	CHIP R	1.8K J 1/10W	1	
	R341	R92-5576-05	METAL R	0.02 5W	1	
	R342	R92-5576-05	METAL R	0.02 5W	1	
	R343	RK73GB2A332J	CHIP R	3.3K J 1/10W	1	
	R344	RK73GB2A302J	CHIP R	3.0K J 1/10W	1	
	R345	RK73GB2A272J	CHIP R	2.7K J 1/10W	1	
	R346	RK73GB2A224J	CHIP R	220K J 1/10W	1	
	R347	RK73GB2A332J	CHIP R	3.3K J 1/10W	1	
	R351	RS14KB3D4R7JP	FL-PROOF RS	4.7 J 2W	1	
	R352	R92-5576-05	METAL R	0.02 5W	1	
	R361	RK73GB2A103J	CHIP R	10K J 1/10W	1	
	R362	RK73GB2A103J	CHIP R	10K J 1/10W	1	
	R363	RK73GB2A123J	CHIP R	12K J 1/10W	1	
	R364	RK73GB2A223J	CHIP R	22K J 1/10W	1	
	R365	RK73GB2A103J	CHIP R	10K J 1/10W	1	
	R366	RK73GB2A333J	CHIP R	33K J 1/10W	1	
	R367	RK73GB2A123J	CHIP R	12K J 1/10W	1	
	R401	RK73GB2A102J	CHIP R	1.0K J 1/10W	1	
	R402	RK73GB2A912J	CHIP R	9.1K J 1/10W	1	
	R403	RK73GB2A152J	CHIP R	1.5K J 1/10W	1	
	R404	RK73GB2A473J	CHIP R	47K J 1/10W	1	
	R405	RK73GB2A102J	CHIP R	1.0K J 1/10W	1	
	R406	RK73GB2A471J	CHIP R	470 J 1/10W	1	
	R407	RK73GB2A684J	CHIP R	680K J 1/10W	1	
	R408	RK73GB2A102J	CHIP R	1.0K J 1/10W	1	
	R409	RK73GB2A103J	CHIP R	10K J 1/10W	1	
	R410	RK73GB2A103J	CHIP R	10K J 1/10W	1	
	R411	RK73EB2E123J	CHIP R	12K J 1/4W	1	
	R412	RK73EB2E123J	CHIP R	12K J 1/4W	1	
	R413	RK73GB2A683J	CHIP R	68K J 1/10W	1	
	R421	RK73GB2A103J	CHIP R	10K J 1/10W	1	
	R431	RK73GB2A682J	CHIP R	6.8K J 1/10W	1	
	R432	RK73GB2A103J	CHIP R	10K J 1/10W	1	
	R433	RK73GB2A103J	CHIP R	10K J 1/10W	1	
	R434	RK73GB2A911J	CHIP R	910 J 1/10W	1	
	R441	RK73GB2A622J	CHIP R	6.2K J 1/10W	1	
	R442	RK73GB2A622J	CHIP R	6.2K J 1/10W	1	
	R443	RK73GB2A103J	CHIP R	10K J 1/10W	1	
	R444	RK73GB2A103J	CHIP R	10K J 1/10W	1	
	R451	RK73GB2A392J	CHIP R	3.9K J 1/10W	1	
	R452	RK73GB2A112J	CHIP R	1.1K J 1/10W	1	
	R453	RK73GB2A103J	CHIP R	10K J 1/10W	1	
	R454	RK73GB2A103J	CHIP R	10K J 1/10W	1	
	R461	RK73EB2E681J	CHIP R	680 J 1/4W	1	
	R463	RK73GB2A300J	CHIP R	30 J 1/10W	1	
	R501	RK73GB2A133J	CHIP R	13K J 1/10W	1	
	R502	RK73GB2A272J	CHIP R	2.7K J 1/10W	1	
	R503	RK73GB2A203J	CHIP R	20K J 1/10W	1	
	R504	RK73GB2A203J	CHIP R	20K J 1/10W	1	
	R505	RK73GB2A103J	CHIP R	10K J 1/10W	1	
	R506	RK73GB2A203J	CHIP R	20K J 1/10W	1	
	R507	RK73GB2A203J	CHIP R	20K J 1/10W	1	
	R508	RK73GB2A362J	CHIP R	3.6K J 1/10W	1	
	R509	RK73GB2A123J	CHIP R	12K J 1/10W	1	
	R511	RK73GB2A102J	CHIP R	1.0K J 1/10W	1	
	R512	RK73GB2A103J	CHIP R	10K J 1/10W	1	
	R513	RK73GB2A224J	CHIP R	220K J 1/10W	1	
	R514	RK73GB2A103J	CHIP R	10K J 1/10W	1	
	R521	RK73GB2A222J	CHIP R	2.2K J 1/10W	1	
	R523	RK73GB2A333J	CHIP R	33K J 1/10W	1	
	R531	RK73GB2A333J	CHIP R	33K J 1/10W	1	
	R532	RK73GB2A103J	CHIP R	10K J 1/10W	1	
	R533	RK73GB2A103J	CHIP R	10K J 1/10W	1	
	R541	RK73GB2A103J	CHIP R	10K J 1/10W	1	
	R542	RK73GB2A103J	CHIP R	10K J 1/10W	1	
	R543	RK73GB2A472J	CHIP R	4.7K J 1/10W	1	
	R544	RK73GB2A472J	CHIP R	4.7K J 1/10W	1	
	R545	RK73GB2A104J	CHIP R	100K J 1/10W	1	
	R546	RK73GB2A103J	CHIP R	10K J 1/10W	1	
	R547	RK73GB2A223J	CHIP R	22K J 1/10W	1	
	R551	RK73GB2A103J	CHIP R	10K J 1/10W	1	
	R561	RK73GB2A473J	CHIP R	47K J 1/10W	1	
	R562	RK73GB2A473J	CHIP R	47K J 1/10W	1	
	R571	RK73GB2A473J	CHIP R	47K J 1/10W	1	
	R572	RK73GB2A473J	CHIP R	47K J 1/10W	1	
	R581	RK73GB2A104J	CHIP R	100K J 1/10W	1	
	R601	RK73GB2A101J	CHIP R	100 J 1/10W	1	
	R613	RK73GB2A104J	CHIP R	100K J 1/10W	1	
	R621	RK73GB2A562J	CHIP R	5.6K J 1/10W	1	
	R622	RK73GB2A153J	CHIP R	15K J 1/10W	1	
	R623	RK73GB2A103J	CHIP R	10K J 1/10W	1	
	R624	RK73GB2A103J	CHIP R	10K J 1/10W	1	
	R625	RK73GB2A224J	CHIP R	220K J 1/10W	1	
	R651	RK73GB2A823J	CHIP R	82K J 1/10W	1	

MODEL	MARK
X700-5	

Safe	Symbol No.	Parts No.	Parts Name	Description	QTY	Local
	R652	RK73GB2A474J	CHIP R	470K J 1/10W	1	
	R661	RK73GB2A000J	CHIP R	0.0 J 1/10W	1	
	R662	RK73GB2A563J	CHIP R	56K J 1/10W	1	
	R663	RK73GB2A101J	CHIP R	100 J 1/10W	1	
	R671	RK73GB2A101J	CHIP R	100 J 1/10W	1	
	R672	RK73GB2A103J	CHIP R	10K J 1/10W	1	
	R673	RK73GB2A103J	CHIP R	10K J 1/10W	1	
	R674	RK73GB2A223J	CHIP R	22K J 1/10W	1	
	R681	RK73GB2A473J	CHIP R	47K J 1/10W	1	
	R682	RK73GB2A333J	CHIP R	33K J 1/10W	1	
	R683	RK73GB2A474J	CHIP R	470K J 1/10W	1	
	R684	RK73GB2A821J	CHIP R	820 J 1/10W	1	
	R685	RK73GB2A433J	CHIP R	43K J 1/10W	1	
	R686	RK73GB2A303J	CHIP R	30K J 1/10W	1	
	R687	RK73GB2A474J	CHIP R	470K J 1/10W	1	
	R688	RK73GB2A272J	CHIP R	2.7K J 1/10W	1	
	R689	RK73GB2A100J	CHIP R	10 J 1/10W	1	
	R690	RK73GB2A100J	CHIP R	10 J 1/10W	1	
	R695	RK73GB2A103J	CHIP R	10K J 1/10W	1	
	R699	RK73GB2A563J	CHIP R	56K J 1/10W	1	
	R700	RK73GB2A223J	CHIP R	22K J 1/10W	1	
	R703	RK73PB2H100J	CHIP R	10 J 1/2W	1	
	R704	RK73PB2H100J	CHIP R	10 J 1/2W	1	
	R713	RK73PB2H220J	CHIP R	22 J 1/2W	1	
	R714	RK73PB2H220J	CHIP R	22 J 1/2W	1	
	R717	RK73GB2A300J	CHIP R	30 J 1/10W	1	
	R718	RK73GB2A300J	CHIP R	30 J 1/10W	1	
	R721	RK73EB2E392J	CHIP R	3.9K J 1/4W	1	
	R722	RK73EB2E392J	CHIP R	3.9K J 1/4W	1	
	R723	RK73EB2E392J	CHIP R	3.9K J 1/4W	1	
	R724	RK73EB2E392J	CHIP R	3.9K J 1/4W	1	
	R725	RK73EB2E392J	CHIP R	3.9K J 1/4W	1	
	R726	RK73EB2E392J	CHIP R	3.9K J 1/4W	1	
	R727	RK73GB2A300J	CHIP R	30 J 1/10W	1	
	R728	RK73GB2A300J	CHIP R	30 J 1/10W	1	
	R731	RK73GB2A300J	CHIP R	30 J 1/10W	1	
	R751	RK73EB2E222J	CHIP R	2.2K J 1/4W	1	
	R752	RK73EB2E222J	CHIP R	2.2K J 1/4W	1	
	R753	RK73GB2A821J	CHIP R	820 J 1/10W	1	
	R754	RK73GB2A153J	CHIP R	15K J 1/10W	1	
	R755	RK73GB2A472J	CHIP R	4.7K J 1/10W	1	
	R756	RK73GB2A100J	CHIP R	10 J 1/10W	1	
	R757	RK73GB2A103J	CHIP R	10K J 1/10W	1	
	R759	RK73GB2A221J	CHIP R	220 J 1/10W	1	
	R762	RK73GB2A562J	CHIP R	5.6K J 1/10W	1	
	R780	RK73GB2A221J	CHIP R	220 J 1/10W	1	
	R801	RK73GB2A102J	CHIP R	1.0K J 1/10W	1	
	R802	RK73GB2A102J	CHIP R	1.0K J 1/10W	1	
	R803	RK73GB2A472J	CHIP R	4.7K J 1/10W	1	
	R804	RK73GB2A472J	CHIP R	4.7K J 1/10W	1	
	R811	RK73GB2A680J	CHIP R	68 J 1/10W	1	
	R812	RK73GB2A680J	CHIP R	68 J 1/10W	1	
	R813	RK73GB2A680J	CHIP R	68 J 1/10W	1	
	R814	RK73GB2A680J	CHIP R	68 J 1/10W	1	
	R815	RK73GB2A680J	CHIP R	68 J 1/10W	1	
	R816	RK73GB2A680J	CHIP R	68 J 1/10W	1	
	R817	RK73GB2A680J	CHIP R	68 J 1/10W	1	
	R818	RK73GB2A680J	CHIP R	68 J 1/10W	1	
	R821	RK73PB2H100J	CHIP R	10 J 1/2W	1	
	R825	RK73GB2A104J	CHIP R	100K J 1/10W	1	
	R826	RK73GB2A222J	CHIP R	2.2K J 1/10W	1	
	R828	RK73GB2A183J	CHIP R	18K J 1/10W	1	
	R841	RK73GB2A472J	CHIP R	4.7K J 1/10W	1	
	R842	RK73GB2A472J	CHIP R	4.7K J 1/10W	1	
	R843	RK73GB2A103J	CHIP R	10K J 1/10W	1	
	R851	RK73GB2A103J	CHIP R	10K J 1/10W	1	
	R852	RK73GB2A472J	CHIP R	4.7K J 1/10W	1	
	R853	RK73GB2A103J	CHIP R	10K J 1/10W	1	
	R854	RK73GB2A472J	CHIP R	4.7K J 1/10W	1	
	R857	RK73GB2A104J	CHIP R	100K J 1/10W	1	
	R861	RK73GB2A272J	CHIP R	2.7K J 1/10W	1	
	R862	RK73EB2E152J	CHIP R	1.5K J 1/4W	1	
	R863	RK73GB2A104J	CHIP R	100K J 1/10W	1	
	R865	RK73GB2A102J	CHIP R	1.0K J 1/10W	1	
	R871	RK73GB2A362J	CHIP R	3.6K J 1/10W	1	
	R872	RK73GB2A362J	CHIP R	3.6K J 1/10W	1	
	R873	RK73GB2A152J	CHIP R	1.5K J 1/10W	1	
	R874	RK73GB2A392J	CHIP R	3.9K J 1/10W	1	
	R875	RK73GB2A682J	CHIP R	6.8K J 1/10W	1	
	R876	RK73EB2E392J	CHIP R	3.9K J 1/4W	1	
	R881	RK73EB2E222J	CHIP R	2.2K J 1/4W	1	
	R882	RK73EB2E222J	CHIP R	2.2K J 1/4W	1	
	R891	RK73GB2A681J	CHIP R	680 J 1/10W	1	
	R896	RK73GB2A103J	CHIP R	10K J 1/10W	1	
	R897	RK73GB2A104J	CHIP R	100K J 1/10W	1	
	R901	RK73GB2A223J	CHIP R	22K J 1/10W	1	
	R902	RK73GB2A622J	CHIP R	6.2K J 1/10W	1	
	R903	RK73GB2A103J	CHIP R	10K J 1/10W	1	
	R921	RK73GB2A223J	CHIP R	22K J 1/10W	1	
	R923	RK73GB2A223J	CHIP R	22K J 1/10W	1	
	R925	RK73EB2E223J	CHIP R	22K J 1/4W	1	
	R926	RK73GB2A105J	CHIP R	1.0M J 1/10W	1	

MODEL	MARK
X700-5	

Safe	Symbol No.	Parts No.	Parts Name	Description	QTY	Local
	L351	L33-2458-15	CHOKO COIL	EER40 3:14,3:6,3:6	1	
	L811	L19-0847-05	TRANSFORMER FOR CONVERTER	90UH 3MOHMU EER28	1	
	L871	L33-2679-05	CHOKO COIL		1	
	CN1	E41-2552-05	FLAT CABLE CONNECTOR	24P	1	
	CN891	E41-1682-05	PIN ASSY		1	
	J801	E70-0872-15	SCREW TERMINAL BOARD	L BOARD	1	
	P881	E23-0766-05	TERMINAL		1	
	TH851	NCP18WB473J0S	THERMISTOR		1	
	TH853	NCP18WB473J0S	THERMISTOR		1	