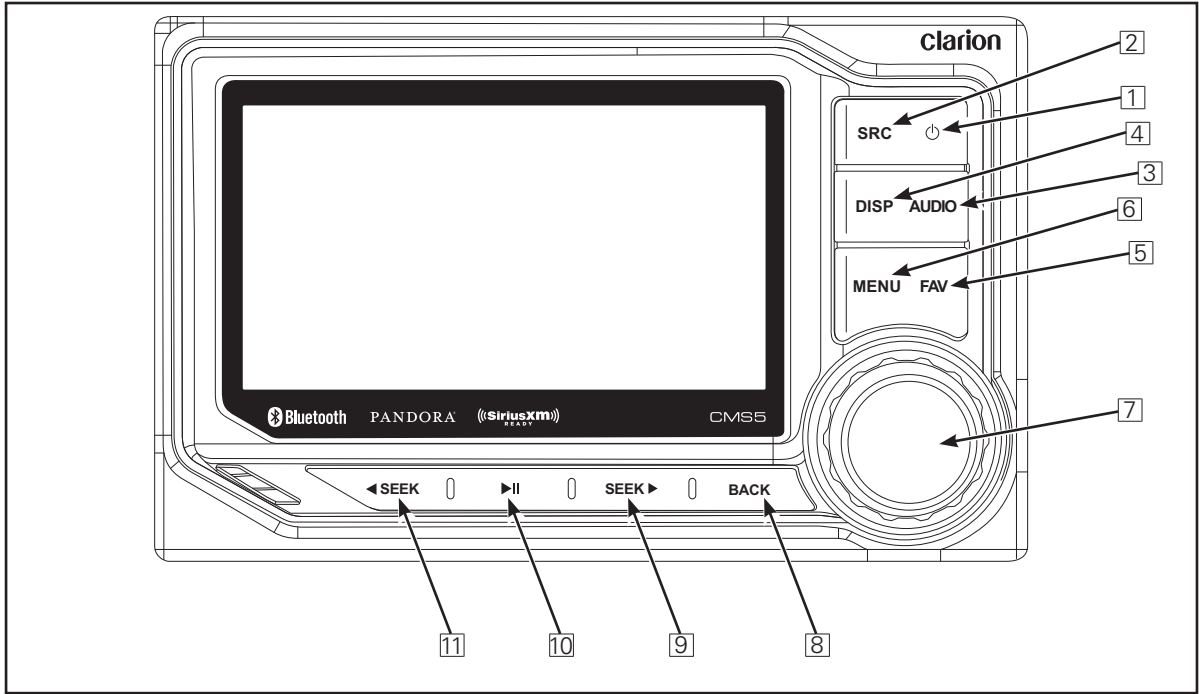


NO.	NAME	P/N	DESCRIPTION	QUANTITY	PACKING-PAG P/N
1	UNIT	B-ZCMS-0002-01-00-A		1PCS	
2	PACKING-BAG	7-2680-8214-00-00		1PCS	
3	Silicagel	7-8202-1019-00-00		1PCS	
4	PANEL ASM	B-PCMS-0002-01-00-A		1PCS	
5	EPE PAD	7-9820-8015-00-00		0.5PCS	
6	PACKING BAG	7-2651-8021-00-00		1PCS	
7	Silicagel	7-8202-1019-00-00		1PCS	
8	PAPER BRACKET	7-CMS5-5001-00-00-2		2PCS	
9	EPE bag	7-2982-8005-00-00		1PCS	
10	Warranty card	7-CMS5-2003-00-01-3		1PCS	
11	User manual (CD)	7-CMS5-9001-00-00-A		1PCS	
12	QUICK GUIDE MANUAL	7-CMS5-2002-00-02-3		1PCS	
13	INSTALL GUIDE MANUAL	7-CMS5-2001-00-02-3		1PCS	
14	ETHERNET extension	3-W002-0017-08-00-U		1PCS	EPE bag: 7-2982-8005-00-00
15	CMS5BB CN1	3-WZ04-0029-34-00-U		1PCS	
16	CMS5BB CN2	3-WZ02-0725-26-00-U		1PCS	
17	CMS5BB CN3	B99990317-U		1PCS	
18	Accessories box	7-CMS5-6001-00-00-E		1PCS	
19	PE BAG	7-2651-8024-00-00		1PCS	
20	PE BAG	7-2951-8001-00-00		1PCS	
21	BRACKET	7-CMS5-2001-00-00-4		1PCS	PE BAG 7-2951-8001-00-00
22	BRACKET PAD	7-CMS5-9011-00-00-C		1PCS	
23	BOLT	7-0MW4-6003-00-00-1		2PCS	
24	NUT	7-CMS5-6001-00-00-1		2PCS	PE BAG 7-2651-8024-00-00
25	LOCK WASHER	7-CMS5-6002-00-00-1		2PCS	
26	SCREW	7-CMS5-6011-00-00-1		4PCS	
27	Gift box	7-CMS5-6002-00-02-3		1PCS	
28	Carton	7-2820-8019-00-44-1		0.5PCS	
29	PRESSBOARD1	7-2820-8020-00-00		1PCS	
30	PRESSBOARD2	7-2820-8021-00-00		1PCS	
31	PRESSBOARD3	7-2820-8022-00-00		1PCS	

GIFT BOX
L*W*H=416*246*170mm
Weight=3.6 Kg

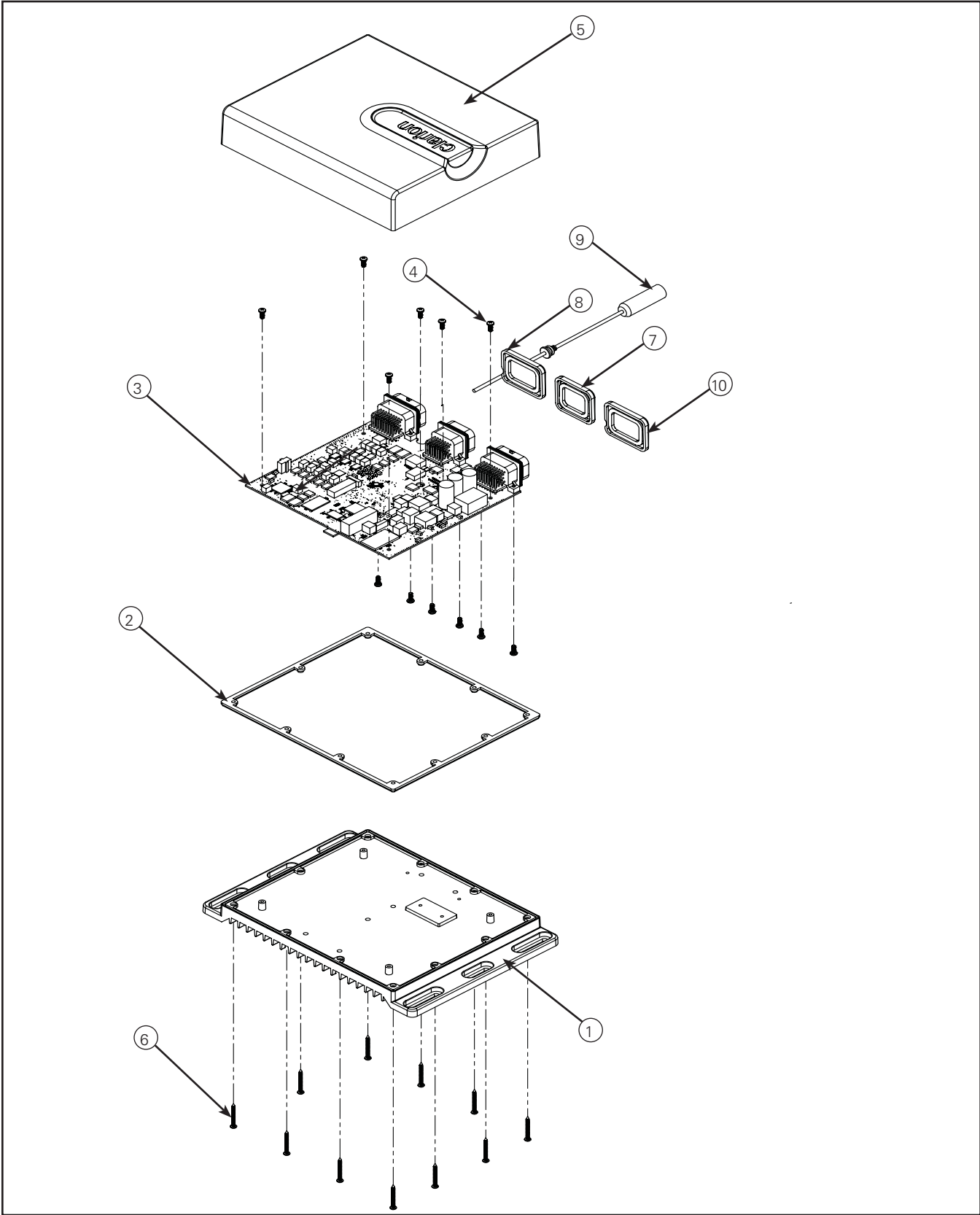
CARTON BOX
L*W*H=436*364*276mm
Weight= 8.2 Kg

CONTROLS



Number	Inline Graphic	Description of Operation	
1		Press	This turns the device ON or OFF .
2		Press	This displays the main menu.
3		Press	This displays the audio settings.
4		Press	This allows to access the Display adjustment settings
5		Press	This displays saved channels/stations.
6		Press	This displays additional options.
7		Turn	This is the rotary volume key.Use this to adjust volume level or scroll through various options.
		Press	This mutes(Play screens) or selects/enters an option (Menu options).
8		Press	This displays the previous screen.
9		Short Press	This advances to next song.
		Long Press(3 seconds)	This scans through the song.
10		Press	This plays/pauses the song.
11		Short Press	This returns to previous song.
		Long Press(3 seconds)	This scans back through the song.

EXPLODED VIEW (CMS5BB)



BILL OF MATERIALS			
ITEM NO.	PART NUMBER	DESCRIPTION	QTY.
1	CMS5BB-PLA-002	BASE, HEAT SINK, CMD5BB	1
2	CMS5BB-SIL-001	HOUSING GASKET, CMD5BB	1
3	CMS5BB-ELE-001	PCBA-CMD5BB	1
4	CMS5BB-FAS-001-	M3 - 0.5X8 PAN HEAD, 316 STAINLESS	12
5	CMS5BB-PLA-001	TOP COVER, BLACK BOX	1
6	CMS5BB-FAS-002	M3-1 X 25MM LG, PAN HEAD, STNLS STEEL	11
7	CMS5BB-SIL-004	CONNECTOR GASKET, CMD5BB	1
8	CMS5BB-SIL-005	CONNECTOR GASKET, CMD5BB	2
9	CMS5BB-WIR-001	WIRE HARNESS ASSEMBLY, ANTENNA PIGTAIL, CN4, CMD5BB	1
10	CMS5BB-SIL-006	CONNECTOR GASKET,LEFT, CMS5BB	1
11	401020	ADHESIVE : ZHENXRONG-481	-

CMS5BB Electrical Parts List

Reference	Description
C1,C3,C5,C19,C23,C24,C26,C27,C45,C46,C52,C56,C69,C70,C72,C75,C85,C87,C91,C105,C106,C112,C119,C123,C124,C125,C134,C141,C142,C149,C150,C170,C175,C186,C191,C206,C215,C260,C261,C287,C290,C295,C301,C302,C306,C311,C316,C322	CAP CER 1UF 50V 20% X5R 0603
C10,C12,C17,C21,C35,C37,C41,C43,C59,C61,C65,C66,C76,C79,C307	CAP CER 470PF 50V 5% NPO 0603
C114,C138,C325,C329	CAP ALUM 47UF 16V 20% SMD
C118,C126,C460,C468	CAP CER 1000PF 50V 5% NPO 0603
C135,C471	CAP CER 1200PF 50V 5% NPO 0603
C144,C145,C168,C262,C263,C271,C272,C434,C435,C436,C437	CAP CER 100PF 50V 5% NPO 0603
C153,C291,C292,C299,C305,C308,C314,C318	CAP ALUM 100UF 35V 20% SMD
C154	CAP CER 18PF 50V 1% NPO 0402
C156,C157,C161	CAP CER 0.47UF 16V 5% X7R 0603
C158,C162,C173,C181,C189,C204,C234,C241,C243,C245,C278,C279,C281,C282,C283,C333,C334,C347,C348	CAP CER 10000PF 50V 10% X7R 0402
C16,C18,C39,C40,C84,C86,C97,C98,C133	CAP CER 220PF 50V 5% NPO 0603
C166	CAP CER 3.9PF 50V NPO 0402
C167,C310	CAP CER 0.018UF 50V 10% X7R 0603
C176,C187,C192,C207	CAP CER 22UF 4V 20% X5R 0805
C177,C188,C193,C208,C246,C252	CAP CER 10UF 6.3V 20% X5R 0603
C2,C4,C11,C13,C20,C22,C25,C32,C36,C38,C42,C44,C51,C55,C60,C62,C67,C68,C71,C77,C81,C136,C164,C296	CAP CER 270PF 50V 5% NPO 0603
C236,C237,C238,C239,C270,C335,C336,C337,C338,C473	CAP CER 10PF 50V 5% NPO 0402
C269	CAP SUPER 0.33F 5.5V AXIAL
C273,C438	CAP CER 1500PF 50V 5% X7R 0603
C284	CAP CER 1000PF 50V 10% X7R 1206
C293	CAP CER 22UF 16V 10% X5R 0805
C297,C312,C313	CAP CER 4.7UF 25V 10% X7R 0805
C317	CAP ALUM 470UF 16V 20% SMD
C323	CAP ALUM 120UF 10V 20% SMD
C441,C442	CAP CER 27PF 5% C0G 50V 0603
C1,C3,C5,C19,C23,C24,C26,C27,C45,C46,C52,C56,C69,C70,C72,C75,C85,C87,C91,C105,C106,C112,C119,C123,C124,C125,C134,C141,C142,C149,C150,C170,C175,C186,C191,C206,C215,C260,C261,C287,C290,C295,C301,C302,C306,C311,C316,C322	CAP CER 1UF 50V 20% X5R 0603
C10,C12,C17,C21,C35,C37,C41,C43,C59,C61,C65,C66,C76,C79,C307	CAP CER 470PF 50V 5% NPO 0603
C114,C138,C325,C329	CAP ALUM 47UF 16V 20% SMD
C118,C126,C460,C468	CAP CER 1000PF 50V 5% NPO 0603
C135,C471	CAP CER 1200PF 50V 5% NPO 0603
C144,C145,C168,C262,C263,C271,C272,C434,C435,C436,C437	CAP CER 100PF 50V 5% NPO 0603
C153,C291,C292,C299,C305,C308,C314,C318	CAP ALUM 100UF 35V 20% SMD
C154	CAP CER 18PF 50V 1% NPO 0402
C156,C157,C161	CAP CER 0.47UF 16V 5% X7R 0603
C158,C162,C173,C181,C189,C204,C234,C241,C243,C245,C278,C279,C281,C282,C283,C333,C334,C347,C348	CAP CER 10000PF 50V 10% X7R 0402

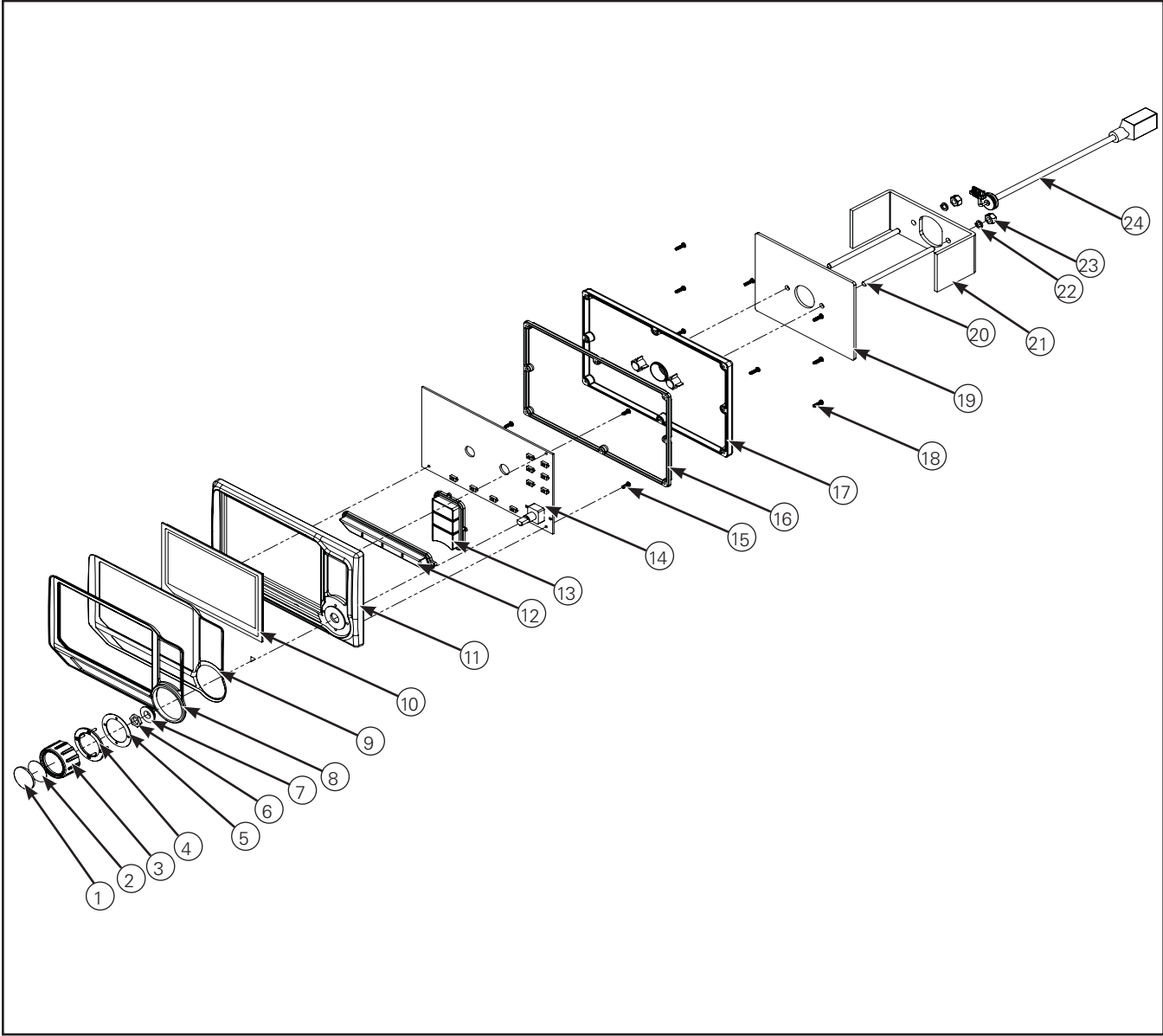
C16,C18,C39,C40,C84,C86,C97,C98,C133	CAP CER 220PF 50V 5% NPO 0603
C166	CAP CER 3.9PF 50V NPO 0402
C167,C310	CAP CER 0.018UF 50V 10% X7R 0603
C176,C187,C192,C207	CAP CER 22UF 4V 20% X5R 0805
C177,C188,C193,C208,C246,C252	CAP CER 10UF 6.3V 20% X5R 0603
C2,C4,C11,C13,C20,C22,C25,C32,C36,C38,C42,C44,C51,C55,C60,C62,C67,C68,C71,C77,C81,C136,C164,C296	CAP CER 270PF 50V 5% NPO 0603
C236,C237,C238,C239,C270,C335,C336,C337,C338,C473	CAP CER 10PF 50V 5% NPO 0402
C269	CAP SUPER 0.33F 5.5V AXIAL
C273,C438	CAP CER 1500PF 50V 5% X7R 0603
C284	CAP CER 1000PF 50V 10% X7R 1206
C293	CAP CER 22UF 16V 10% X5R 0805
C297,C312,C313	CAP CER 4.7UF 25V 10% X7R 0805
C317	CAP ALUM 470UF 16V 20% SMD
C323	CAP ALUM 120UF 10V 20% SMD
C441,C442	CAP CER 27PF 5% COG 50V 0603
D23,D28,D36,D41	DIODE ZENER 5.6V 500MW SOD123
D24	DIODE ZENER 12V 500MW SOD123
D25	DIODE SCHOTTKY 100V 30A TO263AB
D26	TVS DIODE 22VWM 40VC DO218AB
D27	DIODE ZENER 18V 500MW SOD123
D29	DIODE ZENER 2V 500MW SOD123
D32	DIODE ZENER 9.1V 500MW SOD123
D30,D33	DIODE ZENER 8.2V 500MW SOD123
D34,D48,D49,D50,D51,D52,D53,D54,D55	DIODE SCHOTTKY 40V 1A DO214AC
D35	DIODE SCHOTTKY 40V 5A DO214AB
D37,D38	DIODE ESD 1LINE 5V LLP1006-2L
D4,D14,D15,D18	DIODE ESD 2LINE 5V SOT23
D42	DIODE ZENER 15V 500MW SOD123
D5,D6	TVS ESD ULT LOW CAP SOD-923
D9	TVS UNIDIR 400W 14V 5% SMA
FB1,FB2,FB3,FB4,FB5,FB6,FB7,FB8,FB9,FB10,FB11,FB12,FB13,FB14,FB15,FB16,FB17,FB18,FB19,FB20,FB21,FB22,FB23,FB24,FB25,FB26,FB28,FB29,FB30,FB31,FB33,FB44,FB46,FB47,FB54,FB55	FERRITE CHIP BEAD 2500 OHM SMD
FB27,FB32,FB34,FB35,FB36,FB37,FB38,FB39,FB41,FB42,FB43,FB48,FB56,FB57,FB58,FB59	FERRITE CHIP 180 OHM 2A 0603
L1	INDUCTOR 100NH 220MA 5% 0603
L10	INDUCTOR SMD 22UH 11.8A 100KHZ
L11	INDUCTOR POWER 220UH 1.60A SMD
L12	INDUCTOR POWER 10UH 6A SMD
L16	Common Mode Filters Chokes 51uH 250mA -50%
L2	INDUCTOR 150NH 160MA 5% 0603
L3	INDUCTOR 120NH 180MA 5% 0603
L4	INDUCTOR FIXED SMD 220UH 45MA 10% 1210
L5,L6	INDUCTOR MULTILAYER 6.8UH 15MA 10% 0805
L7	INDUCTOR MULTILAYER 33UH 5MA 10% 0805

L8	INDUCTOR 1000 UH 40MA 5% 1812 SMD
L9	FIXED POWER INDUCTOR 15uH 20% 2.8A
M1	Bluetooth / 802.15.1 Modules
Q1,Q2,Q5,Q7,Q8,Q12,Q13,Q14,Q24,Q26,Q34,Q35,Q36,Q37	TRANS NPN 40V 200MA SOT23
Q10,Q19,Q30,Q31	MOSFET P-CH 30V 4.6A SOT223
Q21	MOSFET P-CH 100V DPAK
Q27,Q29,Q38	MOSFET N-CH 60V 385MA SOT23
Q3,Q4	JFET N-CHAN 20V SOT-23
Q39	TRANS NPN VHF/UHF 25V SOT23-3
Q6,Q9,Q11,Q20,Q22,Q23,Q25,Q28,Q32,Q33	TRANS PNP 40V 200MA SOT23
R1,R2,R6,R7,R22,R23,R24,R27,R38,R39,R42,R43,R60,R61,R62,R64,R75,R76,R79,R80,R87,R92,R93,R95,R104,R105,R113,R114,R167,R260,R262,R281,R289,R314,R321,R394,R417,R534,R568	RES 4.7K OHM 1/10W 5% 0603 SMD
R10,R12,R47,R48,R83,R84,R108	RES 470 OHM 1/10W 5% 0603 SMD
R125,R136,R137,R181,R184,R185,R186,R189,R190,R235,R254,R256,R259,R272,R311,R319,R350,R351,R380,R387,R409,R563	RES 22K OHM 1/10W 5% 0603 SMD
R140,R145,R148,R225,R226,R242,R250,R257,R258,R265,R270,R271,R276,R280,R283,R285,R303,R306,R309,R310,R312,R313,R316,R317,R324,R328,R331,R332,R335,R337,R343,R345,R346,R347,R348,R349,R352,R353,R369,R376,R408,R410,R555,R559,R586	RES 47K OHM 1/10W 5% 0603 SMD
R221	RES 1.0M OHM 1/16W 5% 0402 SMD
R13,R14,R52,R53,R85,R109,R191,R192,R196,R234,R238,R252,R264,R277,R278,R279,R284,R288,R304,R305,R307,R320,R342,R344,R364,R381,R382,R383,R384,R385,R419,R533,R538,R567	RES 10K OHM 1/10W 5% 0603 SMD
R141,R149,R150,R151,R274,R275	RES 75 OHM 1/10W 5% 0603 SMD
R15,R51,R116,R131,R246,R298	RES 100 OHM 1/10W 5% 0603 SMD
R152,R273	RES 1.5K OHM 1/10W 5% 0603 SMD
R153,R160,R266,R267,R268,R269	RES 49.9 OHM 1/10W 1% 0603 SMD
R154	RES 3.4K OHM 1/10W 1% 0603 SMD
R287	RES 18K OHM 1/10W 5% 0603 SMD
R162,R163,R170,R213,R214,R217,R249,R323,R333,R530,R531,R532,R571	RES 1K OHM 1/10W 5% 0603 SMD
R174,R175,R569	RES 249 OHM 1/10W 1% 0603 SMD
R177,R220,R302	RES 10M OHM 1/10W 5% 0603 SMD
R19,R20,R56,R58,R86,R90,R111,	RES 9.1K OHM 1/10W 5% 0603 SMD
R211,R248,R253,R255,R300,R358,R360,R361,R362,R363,R365,R366,R370,R371,R372,R373,R374,R378,R379,R390,R395,R406,R414,R572	RES 0.0 OHM 1/10W JUMP 0603 SMD
R212,R407	RES 1.0 OHM 1/10W 5% 0603 SMD
R215,R216	Thick Film Resistors - SMD 1/10watt .1ohms 5% 0603
R230,R232,R418	RES 1.00K OHM 1/10W 1% 0603 SMD
R241,R245,R251,R261	RES 150 OHM 1/10W 5% 0603 SMD
R243,R244,R536,R537	RES 60.4 OHM 1/4W 1% 1210 SMD
R25,R54,R121,R130,R327	RES 220K OHM 1/10W 5% 0603 SMD
R282	RES 12.1K OHM 1/10W 1% 0603 SMD
R3,R8,,R16,R17,R21,R26,R28,R40,R44,R49,R57,R59,R63,R65,R77,R81,R89,R91,R94,R96,R106,R112,R115,R117,R132	RES 3.3K OHM 1/10W 5% 0603 SMD
R301,R336,R338	RES 1 OHM 3/4W 5% 2010 SMD
R308	RES 470K OHM 1/10W 5% 0603 SMD
R322	RES 750K OHM 1/10W 5% 0603 SMD

R31,R33,R34,R36,R67,R69,R70,R72,R98,R100,R102,R120,R122,R334	RES 5.6K OHM 1/10W 5% 0603 SMD
R315,R318,R325,R585	RES 100K OHM 1/10W 5% 0603 SMD
R326,R562	RES 10K OHM 1/8W 5% 0805 SMD
R330,R329	RES 0.33 OHM 1/8W 5% 0805
R339	RES 18.0K OHM 1/10W 1% 0603 SMD
R340,R412	RES 6.80K OHM 1/10W 1% 0603 SMD
R341,R413	RES 3.30K OHM 1/10W 1% 0603 SMD
R35,R37,R71,R73,R101,R103,R123,R143,R144,R146,R147,R156,R157,R161,R197,R198,R554,R558	RES 3.0K OHM 1/10W 5% 0603 SMD
R4,R9,R11,R18,R29,R30,R32,R41,R45,R46,R50,R55,R66,R68,R78,R82,R97,R99,R107,R110,R118,R119,R124,R127,R129,R133,R286	RES 15K OHM 1/10W 5% 0603 SMD
R411	RES 36.0K OHM 1/10W 1% 0603 SMD
R423,R442	RES 2.2 OHM 1/10W 5% 0603 SMD
R564	RES 10.0 OHM .25W 1% 0603 SMD
R74,R138,R155,R263,R556	RES 4.7 OHM 1/8W 5% 0805 SMD
R88,R139,R142,R158,R159,R164,R168,R169,R173,R178,R193,R194,R200,R201,R202,R203,R204,R205,R206,R207,R208,R209,R210,R236,R237,R239,R355,R356,R359,R396,R397,R398,R399,R400,R401,R404,R493,R557,R560,R561,R587	RES 47 OHM 1/16W 5% 0402 SMD
T1	MODULE XFRMR SGL ETHR LAN 16SOIC
U1	IC AMP QUAD MULTIFUNC FLEXIWATT2
U10,U11,U15,U16,U17,U18,U19,U20,U21	IC OPAMP GP 3MHZ DUAL 8SOIC
U12,U13	IC OP AMP R-R LP 3V 75MA 8-SOIC
U39	IC DIFF COMPARATOR SNGL SOT23-5
U2	IC AUDIO PROCESSOR DGTL 64-TQFP
U23	IC CAR RX AM/FM/LW/SW/WB 24QFN
U24	IC MPU I.MX287 289MAPBGA
U25	IC DDR2 SDRAM 1GBIT 84WBGA
U26	IC FLASH 2GBIT 48TSOP
U27	IC REG LDO 5V 0.1A 8SOIC
U28	IC TXRX CAN 5V 8SOP
U29,U30,U31,U32,U34,U35,U60	IC BUFF CMOS LVL/SFTR N-I SOT353
U3,U4,U22	IC MUX/DEMUX DUAL 4X1 16SOIC
U33	IC RTC/CALENDAR 8SOIC
U36	IC EEPROM 8KBIT 400KHZ 8SOIC
U37	Apple Authentication chip FP8-DBV
U38	TXRX ETHERNET 10/100 24VQFN
U40	IC REG LDO -5V 0.1A 8SOIC
U41	IC REG LDO 8V 1A DPAK
U42	IC REG LDO 3.3V 0.8A SOT223
U43	IC USB PWR SWITCH .5A DUAL 8SOP
U44	IC REG BUCK BOOST INV ADJ 8SOIC
U45	IC REG BUCK 5V 5A T0263-7
U46,U47	IC PWR SW USB 1CH 1.0A HI SOT25
U5,U6	IC 8-INPUT MUX 16SOIC
U58	IC CAN TRANSCEIVER S08

U7,U8,U9,U59	IC ADC 24BIT STER 96KHZ 14-TSSOP
X1	OSCILLATOR 32.768KHZ 3.3V SMD
Y1,Y3	CRYSTAL 32.768KHZ 12.5PF SMD
Y2	CRYSTAL 24MHZ 18PF SMD
CN4,CN6	FCI Interconnects

EXPLODED VIEW (CMS5DC)



BILL OF MATERIALS			
ITEM NO.	PART NUMBER	DESCRIPTION	QTY.
1	CMS5-PLA-004	INSERT, KNOB, CMS5	1
2	CMS5-VHB-002	VHB, INSERT, KNOB, CMS5	1
3	CMS5-PLA-003	KNOB, RUBBER OVERMOLD, CMS5	1
4	CMS5-PLA-006	KNOB LIGHT GUIDE, CMS5	1
5	CMS5-SIL-005	GASKET, KNOB LIGHT GUIDE, CMS5	1
6	CMS5-FAS-006	M7X0.75, HEX NUT, THIN, STAINLESS STEEL	1
7	CMS5-SIL-004	ENCODER BUSHING, CMS5	1
8	CMS5-PLA-002	TRIM PANEL, CMS5	1
9	CMS5-VHB-001	VHB, FACE PLATE, CMS5	1
10	CMS5-ASM-001	BONDED LCD, CLARION	1
11	CMS5-PLA-001	CHASSIS, FRONT, CMS5	1
12	CMS5-SIL-002	KEYPAD, 4 BUTTON, CMS5	1
13	CMS5-SIL-001	KEYPAD, 3 BUTTON, CMS5	1
14	CMS5-ELE-001	PCBA, CMS5	1
15	CMS5-FAS-004	M2X0.4, 6MM LG, PAN HEAD, 316 STAINLESS STEEL	3
16	CMS5-SIL-003	GASKET, CHASSIS, CMS5	1
17	CMS5-PLA-005	CHASSIS, BACK, CMS5	1
18	CMS5-FAS-005	M2X0.4, 8MM LG, PAN HD, 316 STAINLESS STEEL	8
19	CMS5-FAS-007	MOUNTING PAD	1
20	CLAR-FAS-002	THREADED STUD, 8-32, 3.0" LG, 316 STAINLESS STEEL	2
21	CLAR-FAS-001	CLAMPING BRACKET, UNIVERSAL	1
22	CLAR-FAS-004	SPLIT WASHER, #8, 316 STAINLESS STEEL	2
23	CLAR-FAS-006	HEX NUT #8-32, 316 STAINLESS STEEL	2
24	CMS5-WIR-001	WIRE HARNESS ASSEMBLY, ETHERNET	1

CMS5DC ELECTRICAL PARTS LIST

Reference	Description
T1	Transformers Audio & Signal 10/100 BASE Tx VoIP POE MODULE
U2	IC SDRAM 256MBIT 167MHZ 86TSOP
U3	IC FLASH 512MBIT 100NS 56TSOP
U4	IC TFT LCD CONTROLLER 64LQFP
U5	TXRX ETHERNET 10/100 24VQFN
U7	IC VOLT SUPERVISR 2.93V SOT23-3
U8	IC REG LDO 1.8V 1A SOT223
U9	IC REG LDO ADJ 1A SOT223
U11	IC OP AMP R-R LP 3V 75MA 8-SOIC
U12	MCU ARM 512K FLASH 208-LQFP
U14	IC REG BUCK ADJ 2A 8SOIC
U15, U16	IC LED DVR HIGH BRIGHT SOT23-6
Y1	CRYSTAL 12MHZ 18PF SMD
Y2	CRYSTAL 27MHZ 18PF SMD
Y3	CRYSTAL 25MHZ 18PF SMD
D1	IC ESD PROTECTION 6TSSOP
D2, D3, D4, D5	DIODE SCHOTTKY 200V 3A SMB
D6	DIODE SCHOTTKY 40V 300MA SOT23
FB1, FB2, FB3	FERRITE CHIP BEAD 2500 OHM SMD
LED1,LED2,LED3,LED4,LED5,LED6,LED7,LED8,LED9,LED10,LED21,LED24	LED WHITE DIFF 6500K MINI PLCC-2
LED11,LED12,LED22,LED23	LED ICE BLUE DIFF MINI PLCC-2
L1, L2, L3, L4	INDUCTOR POWER 15UH 1.6A SMD
D7	DIODE ULOW ESD PROTECTION SOT-23
C1, C2, C37, C38, C59, C60	CAP CER 27PF 5% COG 50V 0603
C3, C7, C22, C23, C26, C28, C44, C47, C48, C64, C68, C76, C84, C86, C88	CAP CER 4.7UF 10V 10% X5R 0603
"C4,C5,C6,C8,C9,C10,C11,C12,C13,C14,C15,C16,C17, C18,C19,C20,C21,C24,C25, C27,C29,C30,C33,C34,C35, C36,C40,C41,C42,C43,C45, C46,C49,C53,C58,C62,C65, C67,C71,C87"	CAP CER 0.1UF 50V 10% X7R 0402
C31, C32, C39, C74, C75, C77, C78, C79, C82	CAP CER 10UF 25V 10% X5R 0805
C50,C51,C54,C70,C90,C91,C94,C95,C96,C97,C98,C100,C101,C102,C104,C107,C 110,C111,C112,C113,C114	CAP CER 10000PF 50V 10% X7R 0603
C105	CAP CER 1500PF 50V 5% X7R 0603
C106	CAP CER 1000PF 50V 5% NPO 0603
C56	CAP CER 1000PF 2KV 10% X7R 1206
C81, C85, C89, C52, C55,C57	CAP CER 1UF 50V 20% X5R 0603
C61, C66, C69, C72, C73	CAP CER 22UF 25V 10% X5R 1206
C63, C103	CAP CER 4.7UF 25V 10% X7R 0805
C108, C109	CAP CER 0.22UF 25V 10% X5R 0603
RP7, RP8, RP9, RP10, RP11, RP12, RP13, RP14	RES ARRAY ZERO OHM 4 RES 0804

RP22, RP23, RP24, RP25, RP26, RP27	RES ARRAY 47 OHM 4 RES 0804
"R1,R2,R32,R33,R35,R36,R48,R50, R86,R87,R92,R105,R107, R109,R113,R114,R118,R119, R120,R187"	RES 10K OHM 1/16W 5% 0402 SMD
"R18,R19,R20,R21,R22,R23, R24,R25,R52,R53,R54,R57, R59,R60,R61,R63,R64,R65, R66,R67,R69,R71,R73,R75, R77,R78,R89,R102,R104, R106,R116,R133,R171,R181, R185, R189"	RES 47 OHM 1/16W 5% 0402 SMD
"R27,R31,R46,R62,R103,R115, R132,R134,R135,R136,R137, R146,R150,R151, R152,R153,R154,R155,R156, R157,R158,R159,R160,R161, R162,R163,R164,R165,R166, R167,R168,R169,R170,R172, R173,R174,R175,R176,R177, R178,R179,R180,R183, R184,R186"	RES 0.0 OHM 1/16W JUMP 0402 SMD
R26, R28, R37, R38, R39, R41, R44, R45	RES 0.0 OHM 1/8W JUMP 0805 SMD
R55,R56,R58,R68,R70,R72,R74,R76, R190	RES 47K OHM 1/16W 5% 0402 SMD
R117, R148, R149	RES 1M OHM 1/10W 5% 0603 SMD
R79,R80,R81,R82,R108,R112	RES 49.9 OHM 1/10W 1% 0603 SMD
R83	RES 1.5K OHM 1/10W 5% 0603 SMD
R84, R85	RES 75 OHM 1/10W 5% 0603 SMD
R91	RES 12.1K OHM 1/10W 1% 0603 SMD
R93	RES 20K OHM 1/10W 1% 0603 SMD
R95	RES 3K OHM 1/10W 1% 0603 SMD
R100	RES 634 OHM 1/10W 1% 0603 SMD
R101	RES 118 OHM 1/10W 1% 0603 SMD
R121,R122,R123,R124,R125,R126,R127,R128,R129,R4,R130,R131,	RES 1K OHM 1/16W 5% 0402 SMD
R110, R111	RES 100 OHM 1/10W 1% 0603 SMD
R138	RES 332K OHM 1/10W 1% 0603 SMD
R139	RES 68.1K OHM 1/10W 1% 0603 SMD
R140	RES 10.2K OHM 1/10W 1% 0603 SMD
R141	RES 2.74K OHM 1/10W 1% 0603 SMD
R29, R30, R142	RES 3.24K OHM 1/10W 1% 0603 SMD
R88,R90	RES 10 OHM 1/16W 5% 0402 SMD
R143, R144	RES 10.0 OHM .25W 1% 0603 SMD
SW1, SW2, SW3, SW4, SW5, SW6, SW7, SW8, SW9, SW10	Tact Switch
ENC1	Rotary Encoder
J3	CONN RCPT 8POS 1.25MM R/A SMD
J5	CONN FPC 45POS .3MM GOLD SMD
TFT Display	4.3 Inch TFT
PCB	PCB Size 144mm X 85mm, 4layer
D12, D13, D14	DIODE ESD 2LINE 5V SOT23
J1	6 pin connector