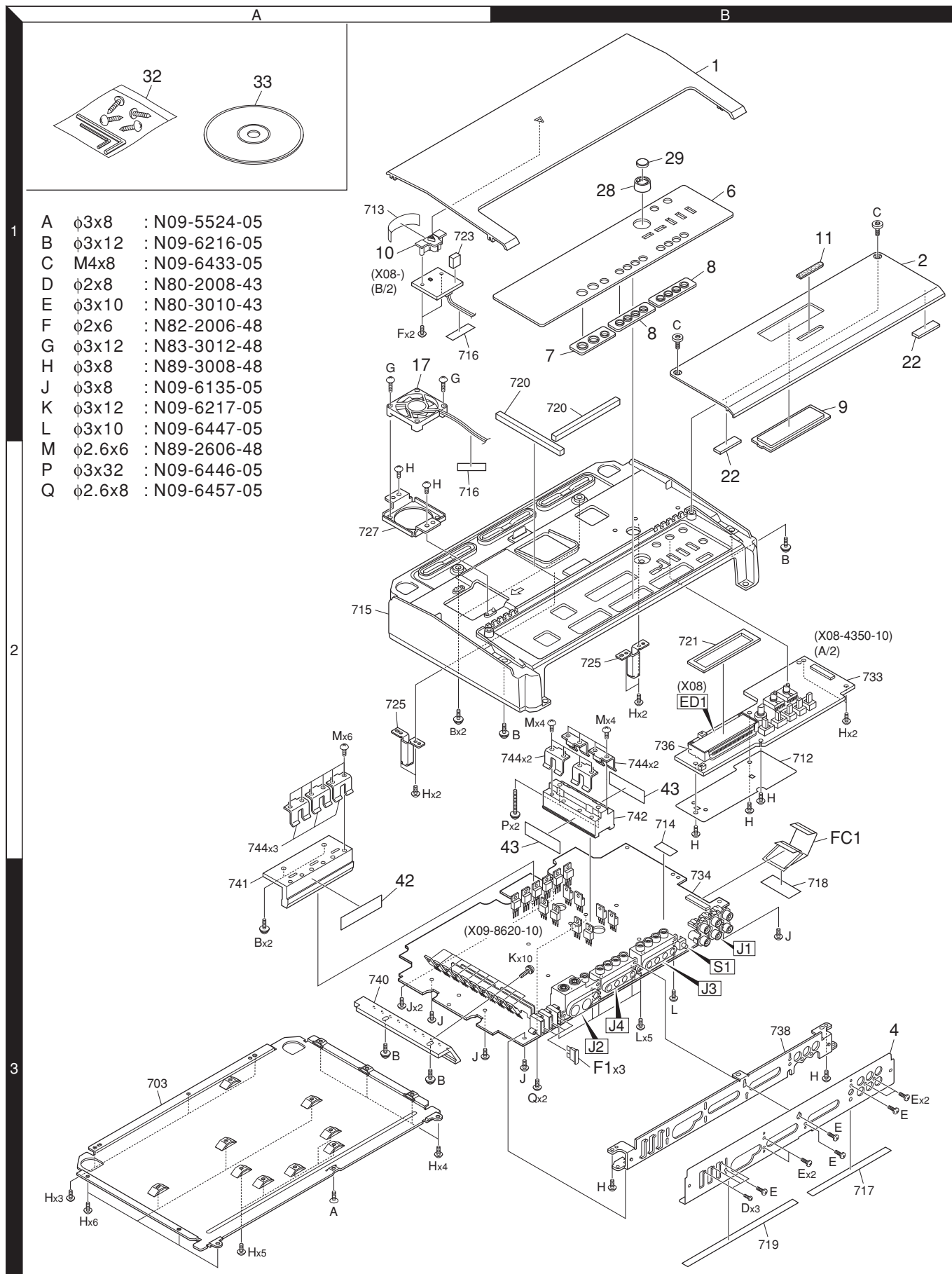


KAC-PS4D/X4R

EXPLODED VIEW



KAC-PS4D/X4R

PARTS LIST

* New parts

Parts without **Parts No.** are not supplied.

Les articles non mentionnés dans le **Parts No.** ne sont pas fournis.

Teile ohne **Parts No.** werden nicht geliefert.

Ref. No.	Add	New	Parts No.	Description	Destination
KAC-PS4D/X4R					
1	1B		A21-6574-11	DRESSING PANEL	
2	1B	*	A21-6578-01	DRESSING PANEL	K
2	1B	*	A21-6579-01	DRESSING PANEL	E1
4	3B	*	A64-4089-02	PANEL	
6	1B	*	B03-5092-02	DRESSING PLATE	K
6	1B	*	B03-5093-02	DRESSING PLATE	E1
7	1B		B07-3198-04	ESCUTCHEON	
8	1B		B07-3199-04	ESCUTCHEON	
9	1B		B10-4939-13	FRONT GLASS	
10	1A		B19-2423-03	LIGHTING BOARD	
11	1B		B43-0336-04	BADGE	
-		*	B64-3525-00	INSTRUCTION MANUAL (ENG.FRE.SPA)	
-		*	B64-3526-00	INSTRUCTION MANUAL (GER.DUT.)	E1
-		*	B64-3526-00	INSTRUCTION MANUAL (ITA.POR.)	E1
FC1	2B		E39-0887-05	FLAT CABLE	
17	1A		F09-1846-15	FAN	
△ F1	3B		F52-0014-05	FUSE (BLADE TYPE) 25A	
22	1B		G11-3716-04	CUSHION	
-		*	H54-3952-03	ITEM CARTON CASE	K
-		*	H54-3953-03	ITEM CARTON CASE	E1
28	1B		K28-0222-04	KNOB ASSY (VOL ASSY)	
29	1B		K28-0223-04	KEY TOP (VOL FM/AM)	
32	1A		N99-1795-05	SCREW & WRENCH KEY SET	
A	3A		N09-5524-05	SET SCREW (3X8)	
B	2A		N09-6216-05	TAPTITE SCREW (3X12)	
C	1B		N09-6433-05	DRESSED SCREW (M4X8)	
D	3B		N80-2008-43	PAN HEAD TAPTITE SCREW	
E	3B		N80-3010-43	PAN HEAD TAPTITE SCREW	
F	1A		N82-2006-48	BINDING HEAD TAPTITE SCREW	
G	1A		N83-3012-48	PAN HEAD TAPTITE SCREW	
H	3A		N89-3008-48	BINDING HEAD TAPTITE SCREW	
P	3B	*	N09-6446-05	SEMS (TAPTITE SCREW) (3X32)	
33	1A	*	W01-1701-05	COMPACT DISC	
PREAMPLIFIER UNIT (X08-4350-10)					
D100			B30-1743-05	LED (RED LED)	
C1-4			CC73GCH1H070D	CHIP C 7.0PF D	
C5-8			CC73GCH1H100D	CHIP C 10PF D	
C9-12			CD04AS1V100M	ELECTRO 10UF 35WV	
C13-16			CC73GCH1H101J	CHIP C 100PF J	
C21-24			CD04AS1V100M	ELECTRO 10UF 35WV	
C27,28			CC73GCH1H070D	CHIP C 7.0PF D	
C31,32			CC73GCH1H070D	CHIP C 7.0PF D	
C100			CD04AT1C100M	ELECTRO 10UF 16WV	
C101,102			CK73GB1H103K	CHIP C 0.010UF K	
C104			CC73GCH1H470J	CHIP C 47PF J	
C105-108			CC73GCH1H101J	CHIP C 100PF J	
C109			CD04AT1C100M	ELECTRO 10UF 16WV	
C110			CK73GB1H103K	CHIP C 0.010UF K	
C112,113			CK73GB1H103K	CHIP C 0.010UF K	

Ref. No.	Add	New	Parts No.	Description	Destination
C117			CK73FB1C105K	CHIP C 1.0UF K	
CN1			E41-2203-05	FLAT CABLE CONNECTOR	
CN2			E41-1700-05	PIN ASSY	
CN3			E41-1699-05	PIN ASSY	
WH1			E39-0921-05	WIRING HARNESS	
R1-4			RK73GB2A431J	CHIP R 430 J 1/10W	
R5-8			RK73GB2A101J	CHIP R 100 J 1/10W	
R9-12			RK73GB2A103J	CHIP R 10K J 1/10W	
R13-16			RK73GB2A182J	CHIP R 1.8K J 1/10W	
R17-20			RK73GB2A272J	CHIP R 2.7K J 1/10W	
R25-28			RK73GB2A473J	CHIP R 47K J 1/10W	
R29			RK73GB2A103J	CHIP R 10K J 1/10W	
R33,34			RK73GB2A1R0J	CHIP R 1.0 J 1/10W	
R100,101			RK73GB2A471J	CHIP R 470 J 1/10W	
R102			RK73GB2A103J	CHIP R 10K J 1/10W	
R103-105			RK73GB2A471J	CHIP R 470 J 1/10W	
R106			RK73GB2A153J	CHIP R 15K J 1/10W	
R107,108			RK73GB2A103J	CHIP R 10K J 1/10W	
R109-112			RK73GB2A101J	CHIP R 100 J 1/10W	
R113			RK73GB2A103J	CHIP R 10K J 1/10W	
R115			RK73GB2A472J	CHIP R 4.7K J 1/10W	
R116			RK73GB2A103J	CHIP R 10K J 1/10W	
R202			RK73EB2E000J	CHIP R 0.0 J 1/4W	
VR1,2			R31-0238-05	VARIABLE RESISTOR	
W45			R92-2053-05	CHIP R 0 OHM J 1/8W	
W46			R92-1252-05	CHIP R 0 OHM J 1/16W	
S101			S62-0880-05	SLIDE SWITCH	
S102-105			S62-0879-05	SLIDE SWITCH	
S100			T99-0474-05	ROTARY ENCODER	
D101-105			1SS355	DIODE	
ED1			CNA-03SS10T	FLUORESCENT INDICATOR TUBE	
IC1,2			BA4560F	ANALOGUE IC	
IC100			LC75756E	MOS-IC	
AUDIO UNIT (X09-8620-10)					
C5-7			CK73GB1H104K	CHIP C 0.10UF K	
C8-10			CK73FB0J106K	CHIP C 10UF K	
C11			CC73GCH1H220J	CHIP C 22PF J	
C12-15			CK73FB0J106K	CHIP C 10UF K	
C16-19			CK73GB1H104K	CHIP C 0.10UF K	
C31-33			CK73GB1H104K	CHIP C 0.10UF K	
C34-36			CK73FB0J106K	CHIP C 10UF K	
C37-40			CK73GB1H104K	CHIP C 0.10UF K	
C41			CK73FB0J106K	CHIP C 10UF K	
C42,43			CK73GB1H104K	CHIP C 0.10UF K	
C44			CK73FB0J106K	CHIP C 10UF K	
C45			CK73GB1H104K	CHIP C 0.10UF K	
C46			CK73FB0J106K	CHIP C 10UF K	
C47,48			CC73GCH1H180J	CHIP C 18PF J	
C49			CK73FB0J106K	CHIP C 10UF K	
C50-52			CK73GB1H104K	CHIP C 0.10UF K	
C53,54			CK73FB0J106K	CHIP C 10UF K	
C55,56			CK73GB1H104K	CHIP C 0.10UF K	

E1 : KAC-PS4D (Europe) K : KAC-X4R (North America)

△ Indicates safety critical components.

KAC-PS4D/X4R

PARTS LIST

AUDIO UNIT (X09-8620-10)

Ref. No.	Add	New	Parts No.	Description	Destination
C57			CK73GB1H103K	CHIP C 0.010UF K	
C59			CK73GB1H103K	CHIP C 0.010UF K	
C60			CC73GCH1H180J	CHIP C 18PF J	
C61			CK73GB1H104K	CHIP C 0.10UF K	
C63-70		*	C93-1450-05	CHIP C 100PF J	
C100			CK73GB1H104K	CHIP C 0.10UF K	
C101-106			C93-1174-05	CERAMIC 0.1UF 100WV	
C107,108		*	C90-6839-05	ELECTRO 220UF 50WV	
C109,110			CK73EB1H474K	CHIP C 0.47UF K	
C111,112		*	CK73ER2A474K	CHIP C 0.47UF K	
C113,114		*	CK73ER2A333K	CHIP C 0.033UF K	
C115-118			CK73GB1H472K	CHIP C 4700PF K	
C119,120		*	C91-2296-05	CHIP C 1.0UF M	
C121,122			C93-1174-05	CERAMIC 0.1UF 100WV	
C123,124		*	C93-1435-05	CHIP C 3300PF K	
C125,126			CC73GCH1H101J	CHIP C 100PF J	
C127,128			CK73GB1H102K	CHIP C 1000PF K	
C129,130			CK73FB1C105K	CHIP C 1.0UF K	
C133,134			CC73GCH1H180J	CHIP C 18PF J	
C135-138			CK73GB1H102K	CHIP C 1000PF K	
C139-142			CK73GB1H223K	CHIP C 0.022UF K	
C200			CK73GB1H104K	CHIP C 0.10UF K	
C201-206			C93-1174-05	CERAMIC 0.1UF 100WV	
C207,208		*	C90-6839-05	ELECTRO 220UF 50WV	
C209,210			CK73EB1H474K	CHIP C 0.47UF K	
C211,212		*	CK73ER2A474K	CHIP C 0.47UF K	
C213,214		*	CK73ER2A333K	CHIP C 0.033UF K	
C215-218			CK73GB1H472K	CHIP C 4700PF K	
C219,220		*	C91-2296-05	CHIP C 1.0UF M	
C221,222			C93-1174-05	CERAMIC 0.1UF 100WV	
C223,224		*	C93-1435-05	CHIP C 3300PF K	
C225,226			CC73GCH1H101J	CHIP C 100PF J	
C227,228			CK73GB1H102K	CHIP C 1000PF K	
C229,230			CK73FB1C105K	CHIP C 1.0UF K	
C233,234			CC73GCH1H180J	CHIP C 18PF J	
C235-238			CK73GB1H102K	CHIP C 1000PF K	
C300			CK73GB1H104K	CHIP C 0.10UF K	
C301,302			CE32BF1E101M	CHIP EL 100UF 25WV	
C303,304			CK73GB1H104K	CHIP C 0.10UF K	
C305,306			CK73GB1H102K	CHIP C 1000PF K	
C307,308			CE32BJ1H100M	CHIP EL 10UF 50WV	
C312			CK73GB1H102K	CHIP C 1000PF K	
C313,314			CC73GCH1H180J	CHIP C 18PF J	
C315-318			CK73GB1H104K	CHIP C 0.10UF K	
C319,320			CC73GCH1H180J	CHIP C 18PF J	
C321,322			CE32BJ1H100M	CHIP EL 10UF 50WV	
C323,324			CC73GCH1H100D	CHIP C 10PF D	
C325,326			CE32BJ1C100M	CHIP EL 10UF 16WV	
C327-330			CC73GCH1H470J	CHIP C 47PF J	
C331,332			CK73GB1H104K	CHIP C 0.10UF K	
C333			CC73GCH1H100D	CHIP C 10PF D	
C334			CK73GB1H104K	CHIP C 0.10UF K	
C335-337			CK73GB1H272K	CHIP C 2700PF K	
C338			C92-1927-05	ELECTRO 220UF 6.3WV	
C339,340			CK73GB1H104K	CHIP C 0.10UF K	

Ref. No.	Add	New	Parts No.	Description	Destination
C341			CK73FB0J106K	CHIP C 10UF K	
C342			CE32BJ0J470M	CHIP EL 47UF 6.3WV	
C343,344			CK73GB1H104K	CHIP C 0.10UF K	
C346			CK73GB1H103K	CHIP C 0.010UF K	
C347			CK73FB0J106K	CHIP C 10UF K	
C348			CK73GB1H103K	CHIP C 0.010UF K	
C349			CK73FB0J106K	CHIP C 10UF K	
C350			CK73GB1H104K	CHIP C 0.10UF K	
C351			CK73FB0J106K	CHIP C 10UF K	
C352,353			CE32BJ1C100M	CHIP EL 10UF 16WV	
C354			CK73GB1H104K	CHIP C 0.10UF K	
C355			CK73FB0J106K	CHIP C 10UF K	
C360		*	CE32BJ0J220M	CHIP EL 22UF 6.3WV	
C361			CK73GB1H222K	CHIP C 2200PF K	
C362			CC73GCH1H471J	CHIP C 470PF J	
C363,364			CK73GB1H104K	CHIP C 0.10UF K	
C366-368			CE32BJ1C100M	CHIP EL 10UF 16WV	
C369,370			CK73GB1H104K	CHIP C 0.10UF K	
C371			CE32BJ1C100M	CHIP EL 10UF 16WV	
C381-384			CC73GCH1H221J	CHIP C 220PF J	
C385			CK73GB1H102K	CHIP C 1000PF K	
C400,401			CK73GB1H104K	CHIP C 0.10UF K	
C405,406			CK73GB1H102K	CHIP C 1000PF K	
C407,408			CE32BJ1H100M	CHIP EL 10UF 50WV	
C412			CK73GB1H102K	CHIP C 1000PF K	
C413,414			CC73GCH1H180J	CHIP C 18PF J	
C415-418			CK73GB1H104K	CHIP C 0.10UF K	
C419,420			CC73GCH1H180J	CHIP C 18PF J	
C421,422			CE32BJ1H100M	CHIP EL 10UF 50WV	
C425,426			CE32BJ1C100M	CHIP EL 10UF 16WV	
C427-430			CC73GCH1H470J	CHIP C 47PF J	
C431,432			CK73GB1H104K	CHIP C 0.10UF K	
C435,436			CK73GB1H272K	CHIP C 2700PF K	
C460		*	CE32BJ0J220M	CHIP EL 22UF 6.3WV	
C461			CK73GB1H222K	CHIP C 2200PF K	
C462			CC73GCH1H471J	CHIP C 470PF J	
C463			CK73GB1H104K	CHIP C 0.10UF K	
C466			CE32BJ1C100M	CHIP EL 10UF 16WV	
C481,482			CC73GCH1H221J	CHIP C 220PF J	
C483			CK73GB1H102K	CHIP C 1000PF K	
C484			CK73GB1H103K	CHIP C 0.010UF K	
C502			CK73GB1H223K	CHIP C 0.022UF K	
C503		*	C90-6846-05	ELECTRO 3300UF 25WV	
C504		*	CE32BD1E470M	CHIP EL 47UF 25WV	
C505			CC73GCH1H102J	CHIP C 1000PF J	
C506		*	CE32BD1E470M	CHIP EL 47UF 25WV	
C507,508		*	C90-6846-05	ELECTRO 3300UF 25WV	
C509,510			C93-1293-05	CHIP C 1000PF 250WV	
C511		*	C93-1443-05	CHIP C 6PF CH	
C512			CC73GCH1H331J	CHIP C 330PF J	
C513			CK73GB1H102K	CHIP C 1000PF K	
C514			C93-1293-05	CHIP C 1000PF 250WV	
C515,516			CE32BF1V221M	CHIP EL 220UF 35WV	
C517			C93-1293-05	CHIP C 1000PF 250WV	
C518			CK73GB1H104K	CHIP C 0.10UF K	

E1 : KAC-PS4D (Europe) K : KAC-X4R (North America)

△ Indicates safety critical components.

PARTS LIST

AUDIO UNIT (X09-8620-10)

Ref. No.	Add	New	Parts No.	Description	Destination	Ref. No.	Add	New	Parts No.	Description	Destination
C519			CE32BF1C221M	CHIP EL 220UF 16WV		C630		*	CK73ER2A333K	CHIP C 0.033UF K	
C520		*	C93-1443-05	CHIP C 6PF CH		C631,632			CK73GB1H472K	CHIP C 4700PF K	
C521			CC73GCH1H331J	CHIP C 330PF J		C633			CC73GCH1H101J	CHIP C 100PF J	
C522			CK73GB1H102K	CHIP C 1000PF K		C701-704			CC73GCH1H681J	CHIP C 680PF J	
C523		*	C93-1443-05	CHIP C 6PF CH		C705-708			CC73GCH1H471J	CHIP C 470PF J	
C526		*	C93-1443-05	CHIP C 6PF CH		C709,710			CK73GB1H104K	CHIP C 0.10UF K	
C529			C92-1927-05	ELECTRO 220UF 6.3WV		C711,712			CC73GCH1H470J	CHIP C 47PF J	
C530		*	CE32BF1H470M	CHIP EL 47UF 50WV		C713-715			CK73GB1H272K	CHIP C 2700PF K	
C533,534		*	C90-6836-05	ELECTRO 7500UF 56WV		C716			CK73GB1H104K	CHIP C 0.10UF K	
C535,536			C93-1174-05	CERAMIC 0.1UF 100WV		C717			C92-1927-05	ELECTRO 220UF 6.3WV	
C537			CK73FB1C105K	CHIP C 1.0UF K		C719			CE32CLOJ101M	CHIP EL 100UF 6.3WV	
C538			CK73GB1H222K	CHIP C 2200PF K		C720-722			CK73GB1H104K	CHIP C 0.10UF K	
C539,540			CK73GB1H102K	CHIP C 1000PF K		C723		*	CE32CLOJ220M	CHIP EL 22UF 6.3WV	
C541,542			CK73GB1H103K	CHIP C 0.010UF K		C724			CK73GB1H104K	CHIP C 0.10UF K	
C543			CE32BF1C221M	CHIP EL 220UF 16WV		C725		*	CE32CLOJ220M	CHIP EL 22UF 6.3WV	
C544			CE32BJ1C101M	CHIP EL 100UF 16WV		C726			CK73GB1H104K	CHIP C 0.10UF K	
C545			CK73GB1H104K	CHIP C 0.10UF K		C727			CE32CLOJ101M	CHIP EL 100UF 6.3WV	
C546			CE32BF1C221M	CHIP EL 220UF 16WV		C728-731			CK73GB1H104K	CHIP C 0.10UF K	
C548			CK73GB1H104K	CHIP C 0.10UF K		C732			CE32CLOJ101M	CHIP EL 100UF 6.3WV	
C549			CE32CLOJ101M	CHIP EL 100UF 6.3WV		C733,734			CC73GCH1H100D	CHIP C 10PF D	
C550			CK73GB1H104K	CHIP C 0.10UF K		C801-804			CC73GCH1H681J	CHIP C 680PF J	
C551		*	CE32BF1H470M	CHIP EL 47UF 50WV		C805-808			CC73GCH1H471J	CHIP C 470PF J	
C552			CK73GB1H103K	CHIP C 0.010UF K		C809,810			CK73GB1H104K	CHIP C 0.10UF K	
C553			CC73GCH1H101J	CHIP C 100PF J		C811,812			CC73GCH1H470J	CHIP C 47PF J	
C554			CK73GB1H104K	CHIP C 0.10UF K		C813-815			CK73GB1H272K	CHIP C 2700PF K	
C555		*	CE32BF0J471M	CHIP EL 470UF 6.3WV		C816			CK73GB1H104K	CHIP C 0.10UF K	
C556,557			CK73GB1H104K	CHIP C 0.10UF K		C817			C92-1927-05	ELECTRO 220UF 6.3WV	
C558			CK73GB1H103K	CHIP C 0.010UF K		C819			CE32CLOJ101M	CHIP EL 100UF 6.3WV	
C559			CC73GCH1H101J	CHIP C 100PF J		C820-822			CK73GB1H104K	CHIP C 0.10UF K	
C560			CK73GB1H104K	CHIP C 0.10UF K		C823		*	CE32CLOJ220M	CHIP EL 22UF 6.3WV	
C561		*	CE32BF0J471M	CHIP EL 470UF 6.3WV		C824			CK73GB1H104K	CHIP C 0.10UF K	
C562			CK73GB1H104K	CHIP C 0.10UF K		C825		*	CE32CLOJ220M	CHIP EL 22UF 6.3WV	
C563		*	CE32BF1H470M	CHIP EL 47UF 50WV		C826			CK73GB1H104K	CHIP C 0.10UF K	
C564		*	CE32BD1E470M	CHIP EL 47UF 25WV		C827			CE32CLOJ101M	CHIP EL 100UF 6.3WV	
C565		*	CE32BD1H2R2M	CHIP EL 2.2UF 50WV		C828,829			CK73GB1H104K	CHIP C 0.10UF K	
C566		*	C92-1979-05	ELECTRO 10UF 25WV		C830,831			CC73GCH1H100D	CHIP C 10PF D	
C567,568		*	CE32BD1E470M	CHIP EL 47UF 25WV		C901			CK73GB1H103K	CHIP C 0.010UF K	
C601,602			CK73GB1H102K	CHIP C 1000PF K		C902			CK73GB1A474K	CHIP C 0.47UF K	
C603,604			CC73GCH1H471J	CHIP C 470PF J		C903,904			CK73GB1H103K	CHIP C 0.010UF K	
C605,606			CK73GB1H104K	CHIP C 0.10UF K		C907			CK73GB1H103K	CHIP C 0.010UF K	
C607			CC73GCH1H470J	CHIP C 47PF J		C908			CE32CLOJ101M	CHIP EL 100UF 6.3WV	
C608			CK73GB1H272K	CHIP C 2700PF K		C909-914			CK73GB1H103K	CHIP C 0.010UF K	
C609			C92-1927-05	ELECTRO 220UF 6.3WV		C915			CE32BF1C221M	CHIP EL 220UF 16WV	
C610			CK73GB1H272K	CHIP C 2700PF K		C916			CE32BJ1H100M	CHIP EL 10UF 50WV	
C611,612			CK73GB1H104K	CHIP C 0.10UF K		C917			CK73GB1H104K	CHIP C 0.10UF K	
C613			CE32CLOJ101M	CHIP EL 100UF 6.3WV		C918			CK73GB1H103K	CHIP C 0.010UF K	
C614,615			CK73GB1H104K	CHIP C 0.10UF K		C919		*	CE32BD1E470M	CHIP EL 47UF 25WV	
C617			CK73GB1H272K	CHIP C 2700PF K		C920			CK73GB1H104K	CHIP C 0.10UF K	
C618,619		*	CE32CLOJ220M	CHIP EL 22UF 6.3WV		C921		*	CE32BD1E470M	CHIP EL 47UF 25WV	
C620-622			CK73GB1H104K	CHIP C 0.10UF K		C922			CK73GB1A105K	CHIP C 1.0UF K	
C623			CE32CLOJ101M	CHIP EL 100UF 6.3WV		C923			CE32BF1C221M	CHIP EL 220UF 16WV	
C624			CK73GB1H104K	CHIP C 0.10UF K		C924,925			CE32BJ1H100M	CHIP EL 10UF 50WV	
C625			CK73FB1C105K	CHIP C 1.0UF K		C926			CK73GB1H102K	CHIP C 1000PF K	
C626-628			C93-1174-05	CERAMIC 0.1UF 100WV		C927-936			CK73GB1H103K	CHIP C 0.010UF K	
C629		*	CK73ER2A474K	CHIP C 0.47UF K		C937			CE32BJ1C100M	CHIP EL 10UF 16WV	

E1 : KAC-PS4D (Europe) K : KAC-X4R (North America)

△ Indicates safety critical components.

KAC-PS4D/X4R

PARTS LIST

AUDIO UNIT (X09-8620-10)

Ref. No.	Add	New	Parts No.	Description	Destination
C938			CK73GB1H103K	CHIP C 0.010UF K	
C939		*	CE32BJ0J220M	CHIP EL 22UF 6.3WV	
C940			CE32BJ1C100M	CHIP EL 10UF 16WV	
C941			CK73EB1E105K	CHIP C 1.0UF K	
C942		*	C90-6839-05	ELECTRO 220UF 50WV	
C943			CK73GB1H103K	CHIP C 0.010UF K	
C944,945			CK73GB1H102K	CHIP C 1000PF K	
C946			CK73GB1H104K	CHIP C 0.10UF K	
C947			CK73GB1H102K	CHIP C 1000PF K	
C948			CC73GCH1H101J	CHIP C 100PF J	
CN1			E41-2203-05	FLAT CABLE CONNECTOR	
CN5		*	E41-1494-05	PIN ASSY	
J1			E63-0922-05	PIN JACK	
J2			E70-0846-05	SCREW TERMINAL BOARD (M6-M4 3P)	
J3,4			E70-0847-05	SCREW TERMINAL BOARD (M4 4P)	
WH1		*	E39-0923-15	WIRING HARNESS	
42	3A		F20-2410-04	INSULATING BOARD	
43	2B	*	F20-2425-04	INSULATING SHEET	
CN2-4			J13-0602-05	FUSE HOLDER	
E1			J11-0898-05	WIRE CLAMPER	
L1-3			L92-0075-05	CHIP FERRITE	
L4-7		*	L92-0647-05	CHIP FERRITE	
L101,102		*	L33-2421-05	CHOKE COIL	
L103,104		*	L39-1064-05	AIR-CORE COIL	
L201,202		*	L33-2421-05	CHOKE COIL	
L203,204		*	L39-1064-05	AIR-CORE COIL	
L501,502		*	L19-0800-05	TRANSFORMER FOR CONVERTER	
L503		*	L33-2406-05	CHOKE COIL	
L504		*	L33-1949-05	SMALL FIXED INDUCTOR	
L505		*	L33-2284-05	SMALL FIXED INDUCTOR	
L506			L33-2307-05	CHOKE COIL	
L507,508		*	L33-2419-05	CHOKE COIL	
L601		*	L33-2367-05	CHOKE COIL	
L901			L41-4795-33	SMALL FIXED INDUCTOR (4.7U)	
X1			L77-2841-05	CRYSTAL RESONATOR (24.576MHZ)	
E	3B		N80-3010-43	PAN HEAD TAPTITE SCREW	
J	3B		N09-6135-05	TAPTITE SCREW (3X8 B-T)	
K	3B		N09-6217-05	TAPTITE SCREW (3X12)	
L	3B		N09-6447-05	TAPTITE SCREW (3X10 P-T)	
M	2A		N89-2606-48	BINDING HEAD TAPTITE SCREW	
Q	3B	*	N09-6457-05	TAPTITE SCREW (2.6X8)	
CP1			RK74GB1J103J	CHIP-COM 10K J 1/16W	
CP3			RK74GA1J103J	CHIP-COM 10K J 1/16W	
CP6			RK74GB1J103J	CHIP-COM 10K J 1/16W	
CP7			RK74GA1J103J	CHIP-COM 10K J 1/16W	
R1-6			RK73GB2A121J	CHIP R 120 J 1/10W	
R11,12			RK73GB2A121J	CHIP R 120 J 1/10W	
R13-17			RK73GB2A103J	CHIP R 10K J 1/10W	
R18			RK73GB2A100J	CHIP R 10 J 1/10W	
R20			RK73GB2A000J	CHIP R 0.0 J 1/10W	
R21			RK73GB2A4R7J	CHIP R 4.7 J 1/10W	
R22,23			RK73GB2A103J	CHIP R 10K J 1/10W	

Ref. No.	Add	New	Parts No.	Description	Destination
R24			RK73GB2A392J	CHIP R 3.9K J 1/10W	
R25			RK73GB2A121J	CHIP R 120 J 1/10W	
R26,27			RK73GB2A103J	CHIP R 10K J 1/10W	
R28			RK73GB2A4R7J	CHIP R 4.7 J 1/10W	
R30			RK73GB2A103J	CHIP R 10K J 1/10W	
R31-33			RK73GB2A121J	CHIP R 120 J 1/10W	
R37,38			RK73GB2A000J	CHIP R 0.0 J 1/10W	
R39			RK73GB2A121J	CHIP R 120 J 1/10W	
R40-42			RK73GB2A000J	CHIP R 0.0 J 1/10W	
R43			RK73GB2A121J	CHIP R 120 J 1/10W	
R44			RK73GB2A000J	CHIP R 0.0 J 1/10W	
R45			RK73GB2A121J	CHIP R 120 J 1/10W	
R52			RK73GB2A103J	CHIP R 10K J 1/10W	
R53			RK73GB2A000J	CHIP R 0.0 J 1/10W	
R54			RK73GB2A121J	CHIP R 120 J 1/10W	
R55			RK73GB2A680J	CHIP R 68 J 1/10W	
R56,57			RK73GB2A121J	CHIP R 120 J 1/10W	
R58			RK73GB2A680J	CHIP R 68 J 1/10W	
R59,60			RK73GB2A101J	CHIP R 100 J 1/10W	
R63			RK73GB2A103J	CHIP R 10K J 1/10W	
R64			RK73GB2A101J	CHIP R 100 J 1/10W	
R66			RK73GB2A103J	CHIP R 10K J 1/10W	
R67			RK73GB2A680J	CHIP R 68 J 1/10W	
R68			RK73GB2A105J	CHIP R 1.0M J 1/10W	
R69			RK73GB2A000J	CHIP R 0.0 J 1/10W	
R71			RK73GB2A333J	CHIP R 33K J 1/10W	
R72-79			RK73GB2A270J	CHIP R 27 J 1/10W	
R81			RK73EB2E100J	CHIP R 10 J 1/4W	
R83			RK73GB2A101J	CHIP R 100 J 1/10W	
R84			RK73GB2A511J	CHIP R 510 J 1/10W	
R85-91			RK73GB2A103J	CHIP R 10K J 1/10W	
R93-100		*	RK73PB2H820J	CHIP R 82 J 1/2W	
R101-104			RK73GB2A103J	CHIP R 10K J 1/10W	
R105,106			RK73EB2E4R7J	CHIP R 4.7 J 1/4W	
R107,108			RK73EB2E330J	CHIP R 33 J 1/4W	
R109,110		*	R92-5211-05	CHIP R 0.022 F 1W	
R111,112			RK73GB2A391J	CHIP R 390 J 1/10W	
R113-116			RK73GB2A132J	CHIP R 1.3K J 1/10W	
R117,118			RK73GB2A391J	CHIP R 390 J 1/10W	
R119,120			RK73GB2A472J	CHIP R 4.7K J 1/10W	
R121,122			RK73GB2A152J	CHIP R 1.5K J 1/10W	
R123,124			RK73GB2A202J	CHIP R 2.0K J 1/10W	
R125,126			RK73GB2A103J	CHIP R 10K J 1/10W	
R127,128		*	RK73PB2H820J	CHIP R 82 J 1/2W	
R129-132			RK73GB2A000J	CHIP R 0.0 J 1/10W	
R133,134			RK73GB2A270J	CHIP R 27 J 1/10W	
R135,136		*	RK73PB2H820J	CHIP R 82 J 1/2W	
R137,138			RK73GB2A473J	CHIP R 47K J 1/10W	
R139			RK73GB2A103J	CHIP R 10K J 1/10W	
R140-142			RK73GB2A473J	CHIP R 47K J 1/10W	
R143			RK73GB2A103J	CHIP R 10K J 1/10W	
R144			RK73GB2A473J	CHIP R 47K J 1/10W	
R145-148		*	RK73PB2H390J	CHIP R 39 J 1/2W	
R149,150		*	R92-5212-05	CHIP R 0.027 F 1W	
R151-154			RK73GB2A000J	CHIP R 0.0 J 1/10W	

E1 : KAC-PS4D (Europe) K : KAC-X4R (North America)

△ Indicates safety critical components.

PARTS LIST

AUDIO UNIT (X09-8620-10)

Ref. No.	Add	New	Parts No.	Description	Destination	Ref. No.	Add	New	Parts No.	Description	Destination
R201-204			RK73GB2A103J	CHIP R 10K J 1/10W		R379			RK73EB2E331J	CHIP R 330 J 1/4W	
R205,206			RK73EB2E4R7J	CHIP R 4.7 J 1/4W		R380-385			RK73GB2A103J	CHIP R 10K J 1/10W	
R207,208			RK73EB2E330J	CHIP R 33 J 1/4W		R386			RK73EB2E000J	CHIP R 0.0 J 1/4W	
R209,210		*	R92-5211-05	CHIP R 0.022 F 1W		R387			RK73EB2E1R0J	CHIP R 1.0 J 1/4W	
R211,212			RK73GB2A391J	CHIP R 390 J 1/10W		R388			RK73GH2A103D	CHIP R 10K D 1/10W	
R213-216			RK73GB2A132J	CHIP R 1.3K J 1/10W		R389,390			RK73EB2E1R0J	CHIP R 1.0 J 1/4W	
R217,218			RK73GB2A391J	CHIP R 390 J 1/10W		R391			RK73GB2A101J	CHIP R 100 J 1/10W	
R219,220			RK73GB2A472J	CHIP R 4.7K J 1/10W		R401,402			RK73GB2A102J	CHIP R 1.0K J 1/10W	
R221,222			RK73GB2A152J	CHIP R 1.5K J 1/10W		R403,404			RK73GB2A103J	CHIP R 10K J 1/10W	
R223,224			RK73GB2A202J	CHIP R 2.0K J 1/10W		R405,406			RK73GB2A472J	CHIP R 4.7K J 1/10W	
R225,226			RK73GB2A103J	CHIP R 10K J 1/10W		R407,408			RK73GB2A103J	CHIP R 10K J 1/10W	
R227,228		*	RK73PB2H820J	CHIP R 82 J 1/2W		R409			RK73GH2A103D	CHIP R 10K D 1/10W	
R229-232			RK73GB2A000J	CHIP R 0.0 J 1/10W		R410			RK73GB2A102J	CHIP R 1.0K J 1/10W	
R233,234			RK73GB2A270J	CHIP R 27 J 1/10W		R411,412			RK73GB2A103J	CHIP R 10K J 1/10W	
R235,236		*	RK73PB2H820J	CHIP R 82 J 1/2W		R413-418			RK73GH2A103D	CHIP R 10K D 1/10W	
R237,238			RK73GB2A473J	CHIP R 47K J 1/10W		R421-426			RK73GB2A472J	CHIP R 4.7K J 1/10W	
R239			RK73GB2A103J	CHIP R 10K J 1/10W		R427-430			RK73GB2A222J	CHIP R 2.2K J 1/10W	
R240-242			RK73GB2A473J	CHIP R 47K J 1/10W		R431,432			RK73GB2A102J	CHIP R 1.0K J 1/10W	
R243			RK73GB2A103J	CHIP R 10K J 1/10W		R433-436			RK73GB2A101J	CHIP R 100 J 1/10W	
R244			RK73GB2A473J	CHIP R 47K J 1/10W		R440			RK73GH2A103D	CHIP R 10K D 1/10W	
R245-248		*	RK73PB2H390J	CHIP R 39 J 1/2W		R464			RK73GB2A682J	CHIP R 6.8K J 1/10W	
R249,250		*	R92-5212-05	CHIP R 0.027 F 1W		R465			RK73GB2A392J	CHIP R 3.9K J 1/10W	
R251-254			RK73GB2A000J	CHIP R 0.0 J 1/10W		R466			RK73GB2A682J	CHIP R 6.8K J 1/10W	
R301,302			RK73GB2A102J	CHIP R 1.0K J 1/10W		R471			RK73GB2A681J	CHIP R 680 J 1/10W	
R303,304			RK73GB2A103J	CHIP R 10K J 1/10W		R472			RK73GB2A103J	CHIP R 10K J 1/10W	
R305,306			RK73GB2A472J	CHIP R 4.7K J 1/10W		R473			RK73GB2A104J	CHIP R 100K J 1/10W	
R307,308			RK73GB2A103J	CHIP R 10K J 1/10W		R474			RK73GB2A103J	CHIP R 10K J 1/10W	
R309			RK73GH2A103D	CHIP R 10K D 1/10W		R479			RK73EB2E331J	CHIP R 330 J 1/4W	
R310			RK73GB2A102J	CHIP R 1.0K J 1/10W		R496-499			RK73PB2H1R0J	CHIP R 1.0 J 1/2W	
R311,312			RK73GB2A103J	CHIP R 10K J 1/10W		R500			RK73EB2E1R0J	CHIP R 1.0 J 1/4W	
R313-318			RK73GH2A103D	CHIP R 10K D 1/10W		R501,502			RK73GB2A224J	CHIP R 220K J 1/10W	
R320			RK73GB2A103J	CHIP R 10K J 1/10W		R503			RK73GB2A474J	CHIP R 470K J 1/10W	
R321-326			RK73GB2A472J	CHIP R 4.7K J 1/10W		R504			RK73GB2A473J	CHIP R 47K J 1/10W	
R327-330			RK73GB2A222J	CHIP R 2.2K J 1/10W		R505-507			RK73PB2H221J	CHIP R 220 J 1/2W	
R331,332			RK73GB2A102J	CHIP R 1.0K J 1/10W		R508			RK73GB2A154J	CHIP R 150K J 1/10W	
R333-336			RK73GB2A101J	CHIP R 100 J 1/10W		R509			RK73GB2A682J	CHIP R 6.8K J 1/10W	
R339			RK73GB2A121J	CHIP R 120 J 1/10W		R510			RK73GB2A391J	CHIP R 390 J 1/10W	
R341			RK73GB2A103J	CHIP R 10K J 1/10W		R511			RK73GB2A183J	CHIP R 18K J 1/10W	
R342			RK73GB2A101J	CHIP R 100 J 1/10W		R512			RK73GB2A103J	CHIP R 10K J 1/10W	
R343-346			RK73GB2A121J	CHIP R 120 J 1/10W		R513			RK73GB2A203J	CHIP R 20K J 1/10W	
R347-349			RK73GB2A100J	CHIP R 10 J 1/10W		R514,515			RK73GB2A152J	CHIP R 1.5K J 1/10W	
R350			RK73EB2E100J	CHIP R 10 J 1/4W		R516-519			RK73PB2H100J	CHIP R 10 J 1/2W	
R351			RK73GB2A103J	CHIP R 10K J 1/10W		R520,521			RK73GB2A472J	CHIP R 4.7K J 1/10W	
R352			RK73EB2E000J	CHIP R 0.0 J 1/4W		R522-529			RK73EB2E2R2J	CHIP R 2.2 J 1/4W	
R353			RK73GB2A103J	CHIP R 10K J 1/10W		R530,531		*	RK73PB2H4R7J	CHIP R 4.7 J 1/2W	
R356-359			RK73GB2A121J	CHIP R 120 J 1/10W		R532,533			RK73PB2H470J	CHIP R 47 J 1/2W	
R364			RK73GB2A682J	CHIP R 6.8K J 1/10W		R534,535			RK73EB2E682J	CHIP R 6.8K J 1/4W	
R365			RK73GB2A392J	CHIP R 3.9K J 1/10W		R538			RK73GB2A000J	CHIP R 0.0 J 1/10W	
R366			RK73GB2A682J	CHIP R 6.8K J 1/10W		R539			RK73GB2A473J	CHIP R 47K J 1/10W	
R368-370			RK73GB2A103J	CHIP R 10K J 1/10W		R540,541			RK73GB2A472J	CHIP R 4.7K J 1/10W	
R371			RK73GB2A681J	CHIP R 680 J 1/10W		R542			RK73GB2A102J	CHIP R 1.0K J 1/10W	
R372			RK73GB2A103J	CHIP R 10K J 1/10W		R543			RK73GB2A113J	CHIP R 11K J 1/10W	
R373			RK73GB2A104J	CHIP R 100K J 1/10W		R544,545			RK73GB2A101J	CHIP R 100 J 1/10W	
R374			RK73GB2A103J	CHIP R 10K J 1/10W		R546			RK73GB2A104J	CHIP R 100K J 1/10W	
R378			RK73EB2E100J	CHIP R 10 J 1/4W		R547			RK73GH2A132D	CHIP R 1.3K D 1/10W	

E1 : KAC-PS4D (Europe) K : KAC-X4R (North America)

△ Indicates safety critical components.

KAC-PS4D/X4R

PARTS LIST

AUDIO UNIT (X09-8620-10)

Ref. No.	Add	New	Parts No.	Description	Destination
R548		*	RK73GH2A121D	CHIP R 120 D 1/10W	
R549			RK73GH2A472D	CHIP R 4.7K D 1/10W	
R550,551			RK73EB2E682J	CHIP R 6.8K J 1/4W	
R552			RK73GB2A000J	CHIP R 0.0 J 1/10W	
R553			RK73GB2A162J	CHIP R 1.6K J 1/10W	
R554			RK73GB2A102J	CHIP R 1.0K J 1/10W	
R555			RK73GB2A680J	CHIP R 68 J 1/10W	
R556			RK73GB2A000J	CHIP R 0.0 J 1/10W	
R557			RK73GB2A511J	CHIP R 510 J 1/10W	
R558			RK73GB2A102J	CHIP R 1.0K J 1/10W	
R559			RK73GB2A680J	CHIP R 68 J 1/10W	
R560			RK73GB2A102J	CHIP R 1.0K J 1/10W	
R561			RK73GB2A512J	CHIP R 5.1K J 1/10W	
R562			RK73GB2A102J	CHIP R 1.0K J 1/10W	
R563			RK73GB2A512J	CHIP R 5.1K J 1/10W	
R564			RK73GB2A103J	CHIP R 10K J 1/10W	
R565			RK73GB2A102J	CHIP R 1.0K J 1/10W	
R566			RK73GB2A103J	CHIP R 10K J 1/10W	
R567			RK73PB2H221J	CHIP R 220 J 1/2W	
R568			RK73GB2A103J	CHIP R 10K J 1/10W	
R569,570			RK73PB2H470J	CHIP R 47 J 1/2W	
R571			RK73GB2A332J	CHIP R 3.3K J 1/10W	
R572			RK73GB2A331J	CHIP R 330 J 1/10W	
R573			RK73GB2A101J	CHIP R 100 J 1/10W	
R574-577			RK73PB2H221J	CHIP R 220 J 1/2W	
R578-580			RK73GB2A470J	CHIP R 47 J 1/10W	
R581			RK73GB2A331J	CHIP R 330 J 1/10W	
R582-584			RK73EB2E4R7J	CHIP R 4.7 J 1/4W	
R585			RK73GB2A512J	CHIP R 5.1K J 1/10W	
R586			RK73GH2A363D	CHIP R 36K D 1/10W	
R587			RK73GH2A242D	CHIP R 2.4K D 1/10W	
R588			RK73GB2A103J	CHIP R 10K J 1/10W	
R589,590			RK73GB2A472J	CHIP R 4.7K J 1/10W	
R591,592			RK73GB2A1R0J	CHIP R 1.0 J 1/10W	
R593			RK73GB2A472J	CHIP R 4.7K J 1/10W	
R594			RK73GH2A122D	CHIP R 1.2K D 1/10W	
R595			RK73GH2A133D	CHIP R 13K D 1/10W	
R596			RK73GB2A101J	CHIP R 100 J 1/10W	
R597			RK73GB2A512J	CHIP R 5.1K J 1/10W	
R598			RK73GB2A103J	CHIP R 10K J 1/10W	
R599			RK73GB2A512J	CHIP R 5.1K J 1/10W	
R601			RK73GB2A393J	CHIP R 39K J 1/10W	
R602			RK73GB2A000J	CHIP R 0.0 J 1/10W	
R603			RK73GB2A393J	CHIP R 39K J 1/10W	
R605,606			RK73GB2A393J	CHIP R 39K J 1/10W	
R607			RK73GB2A122J	CHIP R 1.2K J 1/10W	
R608,609			RK73GB2A103J	CHIP R 10K J 1/10W	
R610			RK73GB2A122J	CHIP R 1.2K J 1/10W	
R611,612			RK73GB2A202J	CHIP R 2.0K J 1/10W	
R613			RK73GB2A101J	CHIP R 100 J 1/10W	
R614			RK73GB2A102J	CHIP R 1.0K J 1/10W	
R615			RK73GB2A000J	CHIP R 0.0 J 1/10W	
R616			RK73GB2A101J	CHIP R 100 J 1/10W	
R617-619			RK73GB2A121J	CHIP R 120 J 1/10W	
R620			RK73GB2A100J	CHIP R 10 J 1/10W	

Ref. No.	Add	New	Parts No.	Description	Destination
R621			RK73GB2A102J	CHIP R 1.0K J 1/10W	
R622-624			RK73GB2A103J	CHIP R 10K J 1/10W	
R625		*	R92-5163-05	CHIP R 0.047 F 1W	
R626			RK73GB2A103J	CHIP R 10K J 1/10W	
R629			RK73GB2A121J	CHIP R 120 J 1/10W	
R630			RK73GB2A000J	CHIP R 0.0 J 1/10W	
R631			RK73GB2A103J	CHIP R 10K J 1/10W	
R632			RK73GB2A101J	CHIP R 100 J 1/10W	
R633,634		*	R92-5163-05	CHIP R 0.047 F 1W	
R637			RK73GB2A000J	CHIP R 0.0 J 1/10W	
R638,639			RK73GB2A103J	CHIP R 10K J 1/10W	
R640			RK73GB2A132J	CHIP R 1.3K J 1/10W	
R641		*	R92-5163-05	CHIP R 0.047 F 1W	
R642,643			RK73GB2A101J	CHIP R 100 J 1/10W	
R644			RK73GB2A132J	CHIP R 1.3K J 1/10W	
R645			RK73GB2A472J	CHIP R 4.7K J 1/10W	
R646			RK73GB2A152J	CHIP R 1.5K J 1/10W	
R647			RK73GB2A103J	CHIP R 10K J 1/10W	
R648			RK73GB2A202J	CHIP R 2.0K J 1/10W	
R701-704			RK73GH2A363D	CHIP R 36K D 1/10W	
R707-710			RK73GB2A000J	CHIP R 0.0 J 1/10W	
R711-714			RK73GH2A512D	CHIP R 5.1K D 1/10W	
R715-718			RK73GH2A182D	CHIP R 1.8K D 1/10W	
R719,720			RK73GB2A101J	CHIP R 100 J 1/10W	
R721-724			RK73GH2A222D	CHIP R 2.2K D 1/10W	
R725,726			RK73GH2A102D	CHIP R 1.0K D 1/10W	
R727,728			RK73GB2A101J	CHIP R 100 J 1/10W	
R729,730			RK73GB2A000J	CHIP R 0.0 J 1/10W	
R731,732			RK73GB2A511J	CHIP R 510 J 1/10W	
R733			RK73GB2A101J	CHIP R 100 J 1/10W	
R734-736			RK73GB2A121J	CHIP R 120 J 1/10W	
R738			RK73GB2A121J	CHIP R 120 J 1/10W	
R739			RK73GB2A103J	CHIP R 10K J 1/10W	
R740			RK73GB2A000J	CHIP R 0.0 J 1/10W	
R741			RK73GB2A103J	CHIP R 10K J 1/10W	
R743			RK73GB2A102J	CHIP R 1.0K J 1/10W	
R744-746			RK73GB2A103J	CHIP R 10K J 1/10W	
R749,750			RK73GB2A100J	CHIP R 10 J 1/10W	
R801-804			RK73GH2A363D	CHIP R 36K D 1/10W	
R805,806			RK73EB2E100J	CHIP R 10 J 1/4W	
R807-810			RK73GB2A000J	CHIP R 0.0 J 1/10W	
R811-814			RK73GH2A512D	CHIP R 5.1K D 1/10W	
R815-818			RK73GH2A182D	CHIP R 1.8K D 1/10W	
R819,820			RK73GB2A101J	CHIP R 100 J 1/10W	
R821-824			RK73GH2A222D	CHIP R 2.2K D 1/10W	
R825,826			RK73GH2A102D	CHIP R 1.0K D 1/10W	
R827,828			RK73GB2A101J	CHIP R 100 J 1/10W	
R829,830			RK73GB2A000J	CHIP R 0.0 J 1/10W	
R831,832			RK73GB2A511J	CHIP R 510 J 1/10W	
R833			RK73GB2A101J	CHIP R 100 J 1/10W	
R834-836			RK73GB2A121J	CHIP R 120 J 1/10W	
R838			RK73GB2A121J	CHIP R 120 J 1/10W	
R839			RK73GB2A103J	CHIP R 10K J 1/10W	
R840			RK73GB2A000J	CHIP R 0.0 J 1/10W	
R841			RK73GB2A103J	CHIP R 10K J 1/10W	

E1 : KAC-PS4D (Europe) K : KAC-X4R (North America)

△ Indicates safety critical components.

PARTS LIST

AUDIO UNIT (X09-8620-10)

Ref. No.	Add	New	Parts No.	Description	Destination	Ref. No.	Add	New	Parts No.	Description	Destination
R842			RK73EB2E100J	CHIP R 10 J 1/4W		R972,973			RK73GB2A102J	CHIP R 1.0K J 1/10W	
R843			RK73GB2A102J	CHIP R 1.0K J 1/10W		R974			RK73GB2A332J	CHIP R 3.3K J 1/10W	
R844-846			RK73GB2A103J	CHIP R 10K J 1/10W		R975			RK73GB2A202J	CHIP R 2.0K J 1/10W	
R847,848			RK73GB2A000J	CHIP R 0.0 J 1/10W		R976			RK73GB2A103J	CHIP R 10K J 1/10W	
R849,850			RK73GB2A100J	CHIP R 10 J 1/10W		R977			RK73GB2A472J	CHIP R 4.7K J 1/10W	
R851			RK73GB2A472J	CHIP R 4.7K J 1/10W		R978			RK73GB2A473J	CHIP R 47K J 1/10W	
R852			RK73GB2A101J	CHIP R 100 J 1/10W		R979			RK73GB2A511J	CHIP R 510 J 1/10W	
R853,854			RK73GB2A103J	CHIP R 10K J 1/10W		R980			RK73GB2A102J	CHIP R 1.0K J 1/10W	
R855			RK73GB2A101J	CHIP R 100 J 1/10W		R981			RK73GB2A333J	CHIP R 33K J 1/10W	
R856			RK73GB2A103J	CHIP R 10K J 1/10W		R982			RK73GB2A103J	CHIP R 10K J 1/10W	
R857			RK73GB2A101J	CHIP R 100 J 1/10W		R983			RK73GB2A104J	CHIP R 100K J 1/10W	
R858-860			RK73GB2A000J	CHIP R 0.0 J 1/10W		R984			RK73GB2A472J	CHIP R 4.7K J 1/10W	
R861-865			RK73EB2E100J	CHIP R 10 J 1/4W		R985,986			RK73GB2A103J	CHIP R 10K J 1/10W	
R877			RK73FB2B4R7J	CHIP R 4.7 J 1/8W		R987			RK73GB2A392J	CHIP R 3.9K J 1/10W	
R879,880			RK73EB2E102J	CHIP R 1.0K J 1/4W		R988			RK73GB2A152J	CHIP R 1.5K J 1/10W	
R881			RK73GB2A101J	CHIP R 100 J 1/10W		R989,990			RK73GB2A332J	CHIP R 3.3K J 1/10W	
R882			RK73GB2A223J	CHIP R 22K J 1/10W		R991			RK73GB2A103J	CHIP R 10K J 1/10W	
R883			RK73FB2B101J	CHIP R 100 J 1/8W		R992			RK73GB2A472J	CHIP R 4.7K J 1/10W	
R884			RK73GB2A473J	CHIP R 47K J 1/10W		R993,994			RK73GB2A103J	CHIP R 10K J 1/10W	
R885			RK73GB2A103J	CHIP R 10K J 1/10W		R995			RK73GB2A101J	CHIP R 100 J 1/10W	
R886-891			RK73GB2A121J	CHIP R 120 J 1/10W		R997			RK73GB2A103J	CHIP R 10K J 1/10W	
R901			RK73GB2A103J	CHIP R 10K J 1/10W		R998			RK73GB2A102J	CHIP R 1.0K J 1/10W	
R902,903			RK73GB2A472J	CHIP R 4.7K J 1/10W		R999			RK73GB2A1R0J	CHIP R 1.0 J 1/10W	
R904			RK73EB2E681J	CHIP R 680 J 1/4W		S1			S68-0806-05	PUSH SWITCH	
R905-910			RK73GB2A101J	CHIP R 100 J 1/10W		D1			EP05Q04	DIODE	
R911-914			RK73GB2A102J	CHIP R 1.0K J 1/10W		D4-8			1SS355	DIODE	
R915,916			RK73GB2A103J	CHIP R 10K J 1/10W		D98,99			1SR154-400	DIODE	
R917			RK73GB2A473J	CHIP R 47K J 1/10W		D101-104			UDZS12B	ZENER DIODE	
R918			RK73GB2A103J	CHIP R 10K J 1/10W		D105-110			EP05Q04	DIODE	
R919			RK73FB2B000J	CHIP R 0.0 J 1/8W		D111			1SS355	DIODE	
R920-922			RK73GB2A103J	CHIP R 10K J 1/10W		D112,113			UDZS12B	ZENER DIODE	
R923			RK73GB2A473J	CHIP R 47K J 1/10W		D115-118	*		M3FL20U-5063	DIODE	
R924			RK73GB2A103J	CHIP R 10K J 1/10W		D201-204			UDZS12B	ZENER DIODE	
R925-929			RK73GB2A101J	CHIP R 100 J 1/10W		D205-210			EP05Q04	DIODE	
R930			RK73GB2A471J	CHIP R 470 J 1/10W		D211			1SS355	DIODE	
R931			RK73GB2A103J	CHIP R 10K J 1/10W		D212,213			UDZS12B	ZENER DIODE	
R932			RK73GB2A101J	CHIP R 100 J 1/10W		D215-218	*		M3FL20U-5063	DIODE	
R933			RK73GB2A202J	CHIP R 2.0K J 1/10W		D300			UMZ6.8N	ZENER DIODE	
R934-937			RK73GB2A101J	CHIP R 100 J 1/10W		D302			1SS355	DIODE	
R938,939			RK73GB2A103J	CHIP R 10K J 1/10W		D308,309			1SS355	DIODE	
R940			RK73GB2A473J	CHIP R 47K J 1/10W		D311			1SS355	DIODE	
R941-944			RK73GB2A101J	CHIP R 100 J 1/10W		D312-317			DAN217U	DIODE	
R946			RK73GB2A473J	CHIP R 47K J 1/10W		D400			UMZ6.8N	ZENER DIODE	
R947,948			RK73GB2A102J	CHIP R 1.0K J 1/10W		D405			UMZ6.8N	ZENER DIODE	
R949			RK73GB2A101J	CHIP R 100 J 1/10W		D411-416			DAN217U	DIODE	
R951,952			RK73GB2A473J	CHIP R 47K J 1/10W		D501-503			RM4ZLF-J1NF	DIODE	
R953-958			RK73GB2A432J	CHIP R 4.3K J 1/10W		D506-508			1SR154-400	DIODE	
R959			RK73GB2A103J	CHIP R 10K J 1/10W		D509			DAN202U	DIODE	
R960			RK73GB2A222J	CHIP R 2.2K J 1/10W		D511			FCH20A20	DIODE	
R961-964			RK73GB2A473J	CHIP R 47K J 1/10W		D512			FRH20A20	DIODE	
R965			RK73GB2A103J	CHIP R 10K J 1/10W		D513			UDZS5.1B	ZENER DIODE	
R966			RK73GB2A392J	CHIP R 3.9K J 1/10W		D514,515			EC21QS06AG	DIODE	
R967			RK73GB2A132J	CHIP R 1.3K J 1/10W		D518			EC21QS06AG	DIODE	
R968,969			RK73GB2A100J	CHIP R 10 J 1/10W		D519			DAN202U	DIODE	
R970,971			RK73GB2A103J	CHIP R 10K J 1/10W							

E1 : KAC-PS4D (Europe) K : KAC-X4R (North America)

△ Indicates safety critical components.

KAC-PS4D/X4R

PARTS LIST

AUDIO UNIT (X09-8620-10)

Ref. No.	Add	New	Parts No.	Description	Destination
D520 D521 D522 D525,526 D601,602			EC21QS06AG UDZS15B UDZS3.9B UDZS12B UDZS12B	DIODE ZENER DIODE ZENER DIODE ZENER DIODE ZENER DIODE	
D603 D604 D605,606 D607,608 D703-706		*	EP05Q04 1SS355 DAN217U M3FL20U-5063 DAN217U	DIODE DIODE DIODE DIODE DIODE	
D803-806 D902 D903 D904 D905			DAN217U 1SS355 UDZS5.1B 1SS355 UDZS5.1B	DIODE DIODE ZENER DIODE DIODE ZENER DIODE	
D906 D907 D908 D909 D910			UDZS4.7B 1SR154-400 UDZS15B UDZS6.8B UDZS5.1B	ZENER DIODE DIODE ZENER DIODE ZENER DIODE ZENER DIODE	
D911 D913 D914 IC1 IC3		*	UDZS13B EP05Q04 1SS355 D2-91413-LR S-80827CNNB-G	ZENER DIODE DIODE DIODE MOS-IC MOS-IC	
IC100 IC101,102 IC200 IC201,202 IC301,302		*	TC74VHC125FT IXDF402SIA TC74VHC125FT IXDF402SIA NJM4580V-ZB	MOS-IC MOS-IC MOS-IC MOS-IC ANALOGUE IC	
IC303,304 IC306 IC307 IC309 IC310		*	NJM4565V-ZB NJM4580V-ZB AK5384VF NJM4565V-ZB WM8716SEDS/R	ANALOGUE IC ANALOGUE IC MOS-IC ANALOGUE IC MOS-IC	
IC401,402 IC403,404 IC500 IC502 IC503		*	NJM4580V-ZB NJM4565V-ZB NJM4565V-ZB TL494IDR LT1086IT-PBF	ANALOGUE IC ANALOGUE IC ANALOGUE IC ANALOGUE IC ANALOGUE IC	
IC507 IC509 IC510,511 IC512 IC601,602		*	TC7SZ125FU-F LM2593HVSADJN MP1580HS-LF-Z BA05T NJM4580V-ZB	MOS-IC MOS-IC ANALOGUE IC ANALOGUE IC ANALOGUE IC	
IC603 IC604 IC605 IC701-703 IC704		*	CS5361-DZZR TC74VHC125FT IXDF402SIA NJM4580V-ZB CS5361-DZZR	MOS-IC MOS-IC MOS-IC ANALOGUE IC MOS-IC	
IC705 IC801,802 IC804 IC900 IC901		*	LM1117IDT5.0N NJM4580V-ZB CS5361-DZZR 78F0536GK011A TC7MBD3245AFK	ANALOGUE IC ANALOGUE IC MOS-IC MICROCONTROLLER IC MOS-IC	

Ref. No.	Add	New	Parts No.	Description	Destination
IC902 IC904 Q101,102 Q103,104 Q105-108		*	BR24L04FV-W NJM4565V-ZB IRF9530NPBF IRF530NPBF 2SA1163-F	ROM IC ANALOGUE IC FET FET TRANSISTOR	
Q109,110 Q111,112 Q113 Q114,115 Q116		*	SSM3K7002FU-F IRF7341PBF 2SA1163-F IRF7341PBF 2SA1163-F	FET DUAL FET TRANSISTOR DUAL FET TRANSISTOR	
Q201,202 Q203,204 Q205-208 Q209,210 Q211,212		*	IRF9530NPBF IRF530NPBF 2SA1163-F SSM3K7002FU-F IRF7341PBF	FET FET TRANSISTOR FET DUAL FET	
Q213 Q214,215 Q216 Q301 Q302		*	2SA1163-F IRF7341PBF 2SA1163-F 2SD2114K DTA114EUA	TRANSISTOR DUAL FET TRANSISTOR TRANSISTOR DIGITAL TRANSISTOR	
Q303 Q401 Q503,504 Q505 Q506,507		*	2SC4081 2SD2114K DTA114EUA 2SD2153 2SB1427	TRANSISTOR TRANSISTOR DIGITAL TRANSISTOR TRANSISTOR TRANSISTOR	
Q508 Q509-516 Q517 Q520 Q521		*	2SD2153 2SK3662-F 2SD2012-F 2SB1375-F 2SC4081	TRANSISTOR FET TRANSISTOR TRANSISTOR TRANSISTOR	
Q522-524 Q525 Q526 Q527-529 Q530		*	2SA1576A 2SD1733 2SC4081 2SD1733 2SC4081	TRANSISTOR TRANSISTOR TRANSISTOR TRANSISTOR TRANSISTOR	
Q531 Q533 Q601 Q602 Q603,604		*	DTC114EUA 2SK879-F (GR) IRF5210PBF IRF540NPBF 2SA1163-F	DIGITAL TRANSISTOR FET FET FET TRANSISTOR	
Q605 Q901 Q902,903 Q904 Q905		*	SSM3K7002FU-F DTC114EUA 2SC4081 DTA114EUA DTC114EUA	FET DIGITAL TRANSISTOR TRANSISTOR DIGITAL TRANSISTOR DIGITAL TRANSISTOR	
Q906,907 Q908 Q909,910 Q911 Q912		*	2SC4081 2SA1576A 2SC4081 2SB1181 DTC114EUA	TRANSISTOR TRANSISTOR TRANSISTOR TRANSISTOR DIGITAL TRANSISTOR	
Q913 Q914-916 Q917 Q918 Q920		*	2SB1181 2SC4081 DTC114EUA DTA114EUA 2SD1733	TRANSISTOR TRANSISTOR DIGITAL TRANSISTOR DIGITAL TRANSISTOR TRANSISTOR	

E1 : KAC-PS4D (Europe) K : KAC-X4R (North America)

△ Indicates safety critical components.

PARTS LIST

AUDIO UNIT (X09-8620-10)

Ref. No.	A d d	N e w	Parts No.	Description	Desti- nation	Ref. No.	A d d	N e w	Parts No.	Description	Desti- nation
Q922-924			DTC114EUA	DIGITAL TRANSISTOR							
Q930			DTC114EUA	DIGITAL TRANSISTOR							
Q931			DTA144EUA	DIGITAL TRANSISTOR							
TH1-6			NCP18XH103J0S	THERMISTOR							

E1 : KAC-PS4D (Europe) K : KAC-X4R (North America)

△ Indicates safety critical components.