

# Service Manual

ORDER NO.  
**CRT4102**

HDD MULTIMEDIA AV NAVIGATION SERVER

# AVIC-Z3 /XU/UC

## AVIC-HD3II /XU/EW5

## AVIC-HD3II /XU/RE



**DVD** is a trademark of DVD Format/Logo Licensing Corporation.

**This service manual should be used together with the following manual(s) listed below. For the parts numbers, adjustments, etc. which are not shown in this manual, refer to the following manual(s).**

Model No.	Order No.	Mech. Module	Remarks
<b>AVIC-Z1/UC</b>	CRT3618		
CX-3016	CRT3056	MS3	DVD Mech. Module:Circuit Description, Mech. Description, Disassembly
ND-BT1/E5	CRT3684		Bluetooth unit : (ND-BT1/E is sold with AVIC-HD3/XU/EW5.)

# SAFETY INFORMATION

## CAUTION

This service manual is intended for qualified service technicians; it is not meant for the casual do-it-yourselfer. Qualified technicians have the necessary test equipment and tools, and have been trained to properly and safely repair complex products such as those covered by this manual. Improperly performed repairs can adversely affect the safety and reliability of the product and may void the warranty. If you are not qualified to perform the repair of this product properly and safely, you should not risk trying to do so and refer the repair to a qualified service technician.

## WARNING

This product contains lead in solder and certain electrical parts contain chemicals which are known to the state of California to cause cancer, birth defects or other reproductive harm.  
Health & Safety Code Section 25249.6 - Proposition 65

This product contains mercury. Disposal of this material may be regulated due to environmental considerations. For disposal or recycling information, please contact your local authorities or the Electronics Industries Alliance: [www.eiae.org](http://www.eiae.org).

The backlighting lamp of LCD in this equipment contains mercury. Disposal of this material may be regulated due to environmental considerations according to Local, State or Federal Laws. For disposal or recycling information, please contact your local authorities or the Electronics Industries Alliance: [www.eiae.org](http://www.eiae.org).

# EXPLODED VIEWS AND PARTS LIST

## PACKING(Page 10)

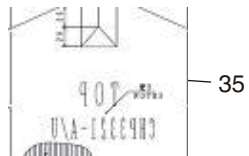
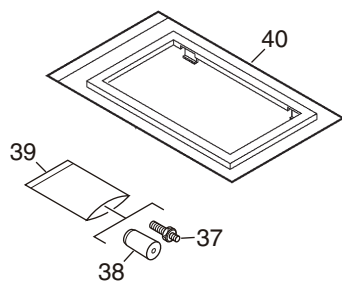
### PACKING SECTION PARTS LIST

\*:Non spare part

Mark	No.	Description	AVIC-Z1/UC	AVIC-Z3/XU/UC
	1-1	Owner's Manual	CRB2183	CRB2617
	1-2	Owner's Manual	CRB2184	CRB2619
	1-3	Owner's Manual/POC/FRE	CRB2185	CRB2618
	1-4	Owner's Manual/POC/FRE	CRB2186	CRB2620
	1-5	Owner's Manual	CRB2258	CRB2621
	1-6	Owner's Manual/POC/FRE	CRB2259	CRB2622
	1-13	Installation Manual	CRD4100	CRD4322
*	1-14	Registration Card	CRY1245	CRY1263
*	1-17	Warranty Card	Not used	CRY1246
*	1-25	Card	ARY1048	Not used
*	1-26	Caution Card	Not used	CRN1090
	2	Cover	CEG1177	CEG1383(Polyethylene Bag)
	3	Carton	CHG5732	CHG6474
	4	Contain Box	CHL5732	CHL6474
	5	Protector(Upper)	CHP2227	CHP2782
	6	Protector	CHP2242	CHP3181
	7	Protector	CHP2272	CHP2783
	10	Cord Assy	CDE8083	CDP1045
	23	Sub Carton	CHA3298	CHG5691
	24	Panel	CNS8669	CNS9008
	34	Cord Assy	CDE8082	CDP1047

Mark	No.	Description	AVIC-HD1BT/EW5	AVIC-HD3 II /XU/EW5
	1-1	Owner's Manual/PEE/ENG	CRB2187	CRB2623
	1-2	Owner's Manual/PEE/ENG	CRB2188	CRB2629
	1-3	Owner's Manual/PEE/SPE	CRB2189	CRB2624
	1-4	Owner's Manual/PEE/SPE	CRB2190	CRB2630
	1-5	Owner's Manual/PEE/GER	CRB2191	CRB2625
	1-6	Owner's Manual/PEE/GER	CRB2192	CRB2631
	1-7	Owner's Manual/PEE/FRE	CRB2193	CRB2626
	1-8	Owner's Manual/PEE/FRE	CRB2194	CRB2632
	1-9	Owner's Manual/PEE/ITA	CRB2195	CRB2627
	1-10	Owner's Manual/PEE/ITA	CRB2196	CRB2633
	1-11	Owner's Manual/PEE/DUT	CRB2197	CRB2628
	1-12	Owner's Manual/PEE/DUT	CRB2198	CRB2634
	1-13	Installation Manual	CRD4101	CRD4323
*	1-16	Passport	CRY1013	Not used
	1-18	Owner's Manual/PEE/ENG	CRB2260	CRB2635
	1-19	Owner's Manual/PEE/SPE	CRB2261	CRB2636
	1-20	Owner's Manual/PEE/GER	CRB2262	CRB2637
	1-21	Owner's Manual/PEE/FRE	CRB2263	CRB2638
	1-22	Owner's Manual/PEE/ITA	CRB2264	CRB2639
	1-23	Owner's Manual/PEE/DUT	CRB2265	CRB2640
	2	Cover	CEG1074	CEG1382(Polyethylene Bag)
	3	Carton	CHG5899	CHG6476
	4	Contain Box	CHL5899	CHL6476
	5	Protector(Upper)	CHP2227	CHP3319
	6	Protector	CHP2242	CHP3181
	7	Protector	CHP2272	CHP3320
	10	Cord Assy	CDE8083	CDP1045
	12	Cord Assy	CDE8165	CDP1046
	13	Screw Assy	CEA3797	CEA7395
	14	Screw	BMZ50P060FTC(x8)	Not used
*	15	Polyethylene Bag	CEG-127	Not used
	16	Screw	CMZ50P060FTC(x8)	Not used
	23	Sub Carton	CHA3298	CHG5691
	24	Panel	CNS8669	CNS9007
	35	Protector	Not used	CHP3321
	36	Protector	Not used	CHP3322
	37	Screw	Not used	CBA2081
	38	Bush	Not used	CNV3930
*	39	Polyethylene Bag	Not used	E36-615
	40	Panel	Not used	CNS8665

Mark	No.	Description	AVIC-HD1BT/EW5	AVIC-HD3 II /XU/RE	
A	1-1	Owner's Manual/PEE/ENG	CRB2187	Not used	
	1-2	Owner's Manual/PEE/ENG	CRB2188	Not used	
	1-3	Owner's Manual/PEE/SPE	CRB2189	Not used	
	1-4	Owner's Manual/PEE/SPE	CRB2190	Not used	
	1-5	Owner's Manual/PEE/GER	CRB2191	Not used	
	1-6	Owner's Manual/PEE/GER	CRB2192	Not used	
	1-7	Owner's Manual/PEE/FRE	CRB2193	Not used	
	1-8	Owner's Manual/PEE/FRE	CRB2194	Not used	
	1-9	Owner's Manual/PEE/ITA	CRB2195	Not used	
	B	1-10	Owner's Manual/PEE/ITA	CRB2196	Not used
1-11		Owner's Manual/PEE/DUT	CRB2197	Not used	
1-12		Owner's Manual/PEE/DUT	CRB2198	Not used	
1-13		Installation Manual	CRD4101	CRD4324	
* 1-16		Passport	CRY1013	Not used	
1-18		Owner's Manual/PEE/ENG	CRB2260	Not used	
1-19		Owner's Manual/PEE/SPE	CRB2261	Not used	
1-20		Owner's Manual/PEE/GER	CRB2262	Not used	
C		1-21	Owner's Manual/PEE/FRE	CRB2263	Not used
		1-22	Owner's Manual/PEE/ITA	CRB2264	Not used
	1-23	Owner's Manual/PEE/DUT	CRB2265	Not used	
	1-27	Owner's Manual	Not used	CRB2641	
	1-28	Owner's Manual	Not used	CRB2642	
	1-29	Owner's Manual	Not used	CRB2643	
	1-30	Owner's Manual	Not used	CRB2644	
	1-31	Owner's Manual	Not used	CRB2645	
	D	1-32	Owner's Manual	Not used	CRB2646
		2	Cover	CEG1074	CEG1382(Polyethylene Bag)
3		Carton	CHG5899	CHG6475	
4		Contain Box	CHL5899	CHL6475	
5		Protector(Upper)	CHP2227	CHP2782	
6		Protector	CHP2242	CHP3181	
7		Protector	CHP2272	CHP2783	
10		Cord Assy	CDE8083	CDP1045	
E		12	Cord Assy	CDE8165	CDP1046
		23	Sub Carton	CHA3298	CHG5691
	24	Panel	CNS8669	CNS9008	



### Owner's Manual, Installation Manual

Part No.	Language
CRB2617, CRB2619, CRB2621, CRB2623, CRB2629 CRB2635, CRB2641, CRB2643, CRB2645	English
CRB2618, CRB2620, CRB2622, CRB2626, CRB2632, CRB2638	French
CRB2624, CRB2630, CRB2636	Spanish
CRB2625, CRB2631, CRB2637	German
CRB2627, CRB2633, CRB2639	Italian
CRB2628, CRB2634, CRB2640	Dutch
CRB2642, CRB2644, CRB2646	Russian
CRD4322	English, French
CRD4323	English, Russian
CRD4323	English, Spanish ,German ,French, Italian, Dutch

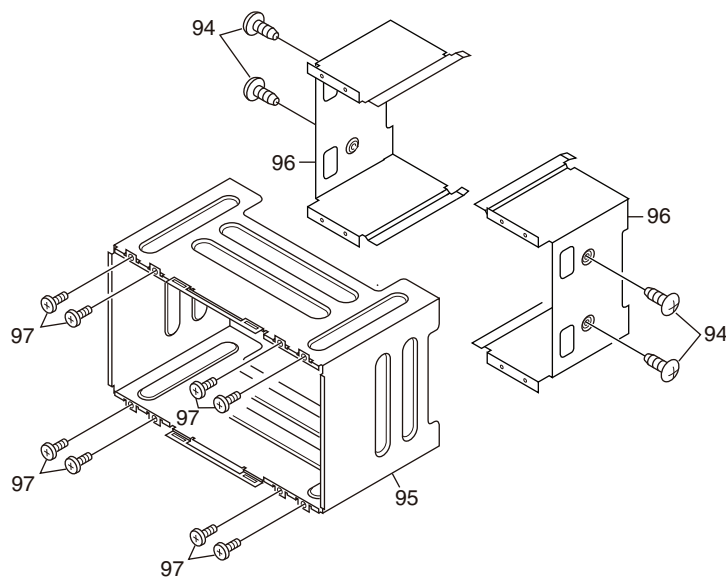
# EXTERIOR(1)(Page 12)

## EXTERIOR(1) SECTION PARTS LIST

Mark	No.	Description	AVIC-Z1/UC	AVIC-Z3/XU/UC
	5	Screw(M3 x 10)	CBA1637	CBA2097
	82	Panel Unit	CXC5925	CXC7880
	83	Cover Unit	CXC5989	CXC9059

Mark	No.	Description	AVIC-HD1BT/EW5	AVIC-HD3 II /XU/EW5
	5	Screw(M3 x 10)	CBA1637	CBA2097
	82	Panel Unit	CXC5984	CXC7980
	83	Cover Unit	CXC5989	CXC9059
	86	Level	VRW1860	CAN5448
	94	Screw	Not used	CMZ50P060FTC
	95	Holder	Not used	CND3430
	96	Holder	Not used	CND3431
	97	Screw	Not used	BMZ30P060FTC

Mark	No.	Description	AVIC-HD1BT/EW5	AVIC-HD3 II /XU/RE
	5	Screw(M3 x 10)	CBA1637	CBA2097
	82	Panel Unit	CXC5984	CXC7765
	83	Cover Unit	CXC5989	CXC9059
	86	Level	VRW1860	CAN5448



**EXTERIOR(2)(Page 14)****EXTERIOR(2) SECTION PARTS LIST**

Mark	No.	Description	AVIC-Z1/UC	AVIC-Z3/XU/UC
	4	Screw(M2 x 3)	CBA1527	CBA2096
	61	CC Unit	CWN1582	CWN3564
	69	Chassis Unit	CXC5401	CXC9620
	71	HDD Assy(Service)	CXX2121	CXX2358

Mark	No.	Description	AVIC-HD1BT/EW5	AVIC-HD3 II /XU/EW5
	4	Screw(M2 x 3)	CBA1527	CBA2096
	61	CC Unit	CWN1632	CWN3565
	69	Chassis Unit	CXC6523	CXC9620
	71	HDD Assy(Service)	CXX2122	CXX2359

Mark	No.	Description	AVIC-HD1BT/EW5	AVIC-HD3 II /XU/RE
	4	Screw(M2 x 3)	CBA1527	CBA2096
	25	Navi Mother Unit	CWN1631	CWN2448
	53	GPS Unit	CWX3305	CWX3493
	61	CC Unit	CWN1632	CWN3566
	69	Chassis Unit	CXC6523	CXC9620
	71	HDD Assy(Service)	CXX2122	CXX2360

**EXTERIOR(3)(Page 16)****EXTERIOR(3) SECTION PARTS LIST**

Mark	No.	Description	AVIC-Z1/UC	AVIC-Z3/XU/UC
	2	Cap	CNS1472	Not used
	3	Cord Assy	CDE8083	CDP1045
	22	Grille	CNS8523	CNS9500
	25	Lighting Conductor	CNV8732	CNV9510
	51	Cord Assy	CDE8082	CDP1047

Mark	No.	Description	AVIC-HD1BT/EW5	AVIC-HD3 II /XU/EW5
	2	Cap	CNS1472	Not used
	3	Cord Assy	CDE8083	CDP1045
	7	Cord Assy	CDE8165	CDP1046
	22	Grille	CNS8540	CNS9501
	25	Lighting Conductor	CNV8732	CNV9510

Mark	No.	Description	AVIC-HD1BT/EW5	AVIC-HD3 II /XU/RE
	2	Cap	CNS1472	Not used
	3	Cord Assy	CDE8083	CDP1045
	7	Cord Assy	CDE8165	CDP1046
	22	Grille	CNS8540	CNS9501
	25	Lighting Conductor	CNV8732	CNV9510

# ELECTRICAL PARTS LIST(Page 121)

## GPS UNIT

Circuit Symbol and No.	Part Name	AVIC-HD1BT/EW5	AVIC-HD3 II /XU/RE
IC502	IC	PEH027A	PEH090A
L402	Inductor	CTF1486	LCYC1R2K1608
L403	Inductor	CTF1486	LCYC1R2K1608

## NAVI MOTHER UNIT

Circuit Symbol and No.	Part Name	AVIC-HD1BT/EW5	AVIC-HD3 II /XU/RE
Q5003	Transistor	DTC114EU	DTC114EUA
Q5004	Transistor	DTC114EU	DTC114EUA
Q5483	Transistor	DTC114EU	DTC114EUA
Q5651	Transistor	2SA1576	2SA1576A
Q5902	Transistor	DTC114EU	DTC114EUA
Q5921	Transistor	2SA1576	2SA1576A
Q6201	Transistor	DTC114EU	DTC114EUA
Q6204	Transistor	DTC114EU	DTC114EUA
Q6251	Transistor	DTC114EU	DTC114EUA
Q6301	Transistor	2SA1576	2SA1576A
Q6302	Transistor	DTC114EU	DTC114EUA
Q6311	Transistor	2SA1576	2SA1576A
Q6312	Transistor	DTC114EU	DTC114EUA
Q6351	Transistor	DTC114EU	DTC114EUA
Q6352	Transistor	DTC114EU	DTC114EUA
Q6355	Transistor	DTC114EU	DTC114EUA
Q6601	Transistor	2SA1576	2SA1576A
R5896		RS1/16S0R0J	Not used
R5897		Not used	RS1/16S0R0J
R6669		Not used	RS1/16S104J
R6670		RS1/16S104J	Not used