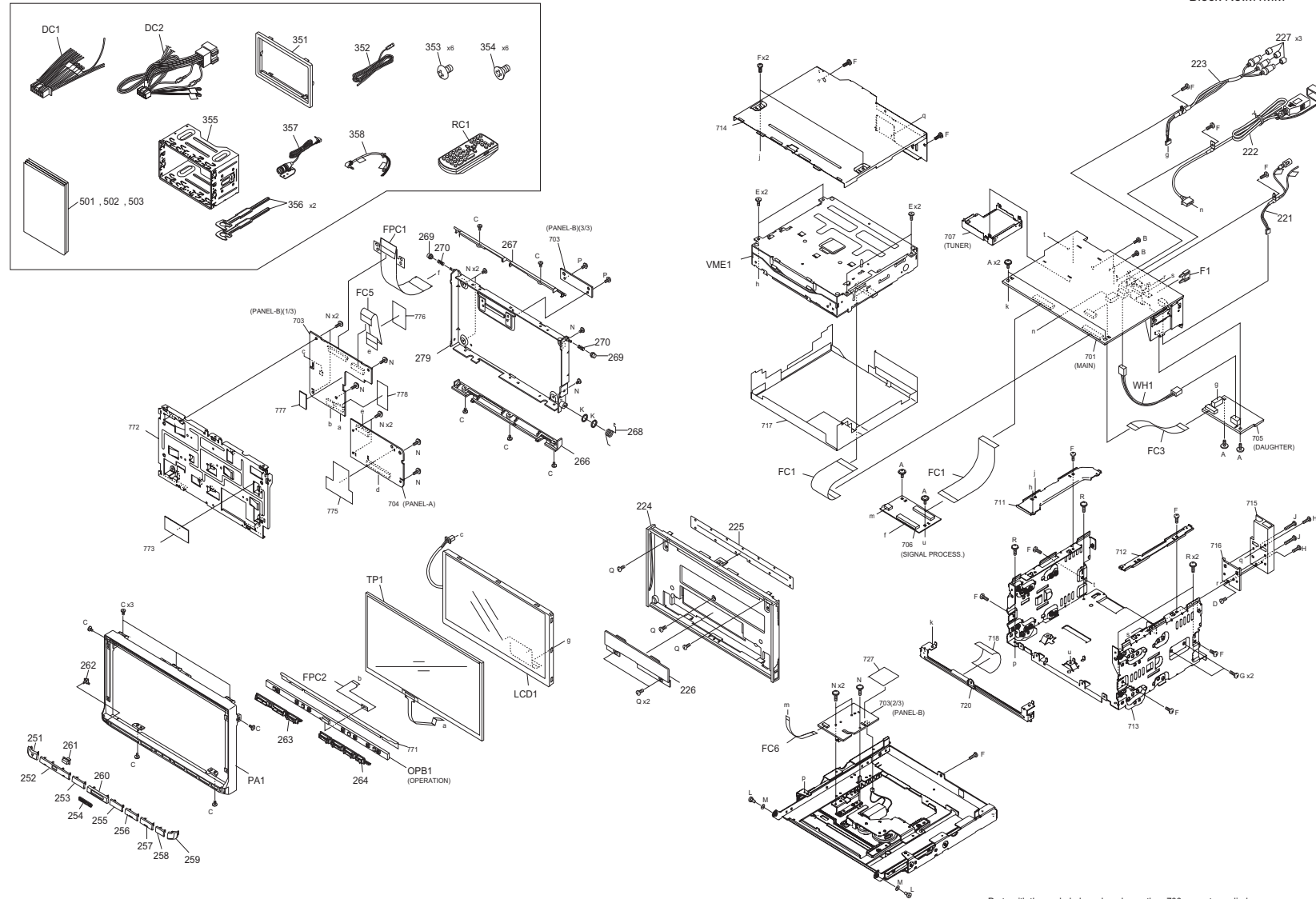


# EXPLODED VIEW (UNIT)

Block No.M1MM



Parts with the exploded numbers larger than 700 are not supplied.

MODEL	MARK	MODEL	MARK	MODEL	MARK
DDX6015BT	M1	DDX6015BTR	Q1	DDX672BH	K0

Safe	Symbol No.	Parts No.	Parts Name	Description	QTY	Local
<b>EXPLODED VIEW (UNIT) &lt;M1MM&gt;</b>						
	DC1	QAM1572-001	DC CORD		1	M1,K0
	DC2	QAM1354-001	DC CORD		1	Q1
	F1	FZB10BT-100	BLADE FUSE		1	
	FC1	EF0AA055007BC	FFC WIRE		2	
	FC3	EF0AA052208BC	FFC WIRE		1	M1,K0
	FC5	QUQY05-3005BC-E	FFC WIRE	30pin 5cm	1	
	FC6	QUQY05-08X3BC-E	FFC WIRE	8pin 3.5cm	1	
	FPC1	QAL1376-001	FPC		1	
	FPC2	QAL1538-001	FPC		1	
	LCD1	B3H-0015-10	LCD		1	
	OPB1	CB-15DDXKEYD	OPERATION PWB ASSY	XJ7-0100-10	1	
	PA1	LV11922-026A	FRONT PANEL		1	M1,Q1
	PA1	LV11922-025A	FRONT PANEL		1	K0
	RC1	QAL1319-001	REMOTE CONTROL		1	M1
			UNIT			
	TP1	W0C-0062-10	TOUCH PANEL		1	
	VME1	XJJ-0140-00	MECHANISM ASSY		1	
	WH1	WJJ1273-001A-E	E-SI C WIRE C-C		1	K0
	A	GE40377-002A	SCREW		6	M1,K0
	A	GE40377-002A	SCREW		4	Q1
	B	QYSDSF2608ZA	TAP SCREW	M2.6 x 8mm	2	
	C	LV45701-002A	SPECIAL SCREW		12	
	D	QYSDSP2610ZA	SCREW	M2.6 x 10mm	1	
	E	QYSDST2006ZA	TAP SCREW	M2 x 6mm	4	
	F	QYSDST2606ZA	TAP SCREW	M2.6 x 6mm	14	M1
	F	QYSDST2606ZA	TAP SCREW	M2.6 x 6mm	13	Q1,K0
	G	QYSDST2610ZA	TAP SCREW	M2.6 x 10mm	2	
	H	QYSDST2614ZA	TAP SCREW	M2.6 x 14mm	2	
	J	QYSDST2620ZA	TAP SCREW	M2.6 x 20mm	2	
	K	QYWFM628050	WASHER	8mm/6.2mm x 0.5mm	2	
	L	NOZ-0021-01	SPECIAL SCREW		2	
	M	LV45039-001A	WAVE WASHER		2	
	N	LV44615-003A	SPECIAL SCREW		15	
	P	LV45701-001A	SPECIAL SCREW		2	
	Q	QYSDST2006MA	TAP SCREW	M2 x 6mm	5	
	R	QYSPST2005ZA	TAP SCREW	M2 x 5mm	4	
	221	E3A-0045-00	CORD W.CON.		1	
	222	E3A-0046-01	CORD W.CON.		1	M1,Q1
	222	E3A-0046-00	CORD W.CON.		1	K0
	223	QAM1566-001	CAR CABLE		1	M1
	224	LV11908-014A	FRONT CHASSIS		1	M1,Q1
	224	LV11908-013A	FRONT CHASSIS		1	K0
	225	LV3A421-001A	BLIND		1	
	226	LV22941-001A	FPC GUIDE		1	
	227	GE40101-001A	PIN CAP		3	M1
	251	LV23097-001A	DRESS PANEL(L)		1	M1
	251	LV23097-003A	DRESS PANEL(L)		1	Q1,K0
	252	LV23099-001A	BUTTON	VOL	1	M1
	252	LV23099-002A	BUTTON	VOL	1	Q1,K0
	253	LV23100-002A	BUTTON	AV	1	M1
	253	LV23100-005A	BUTTON	AV	1	Q1,K0
	254	B43-1524-04	BADGE		1	
	255	LV23101-002A	BUTTON	AUD	1	M1
	255	LV23101-004A	BUTTON	AUD	1	Q1,K0
	256	LV23102-002A	BUTTON	MENU	1	M1
	256	LV23102-004A	BUTTON	MENU	1	Q1,K0
	257	LV23103-002A	BUTTON	TEL	1	M1
	257	LV23103-004A	BUTTON	TEL	1	Q1,K0
	258	LV3A430-001A	BUTTON	EJECT	1	M1
	258	LV3A430-002A	BUTTON	EJECT	1	Q1,K0
	259	LV23098-004A	DRESS PANEL(R)		1	M1
	259	LV23098-006A	DRESS PANEL(R)		1	Q1,K0
	260	LV3A428-001A	DRESS PANEL(C)		1	M1
	260	LV3A428-003A	DRESS PANEL(C)		1	Q1,K0
	261	B10-7055-03	FRONT GLASS		1	
	262	K24-5305-03	PUSH KNOB		1	
	263	LV11924-001A	KNOB BASE(R)		1	
	264	LV11923-001A	KNOB BASE(L)		1	
	266	LV22959-001A	COVER(BOTTOM)		1	
	267	LV22958-001A	COVER(TOP)		1	
	268	LV44471-003A	TOR SPRING		1	
	269	LV44469-001A	ROLLER		2	
	270	LV44468-002A	SPRING		2	
	279	LV39530-003A	F.BKT ASSY		1	
	351	B07-3237-41	ESCUTCHEON		1	Q1,K0
	352	QAM1355-002	CAR CABLE		1	
	353	QYSTSP5008ZA	SCREW	M5 x 8mm	6	M1,K0
	354	QYSSSP5008ZA	SCREW	M5 x 8mm	6	M1,K0
	355	LV22876-001A	SLEEVE ASSY		1	Q1,K0
	356	LV45516-001A	LEVER		2	Q1,K0
	357	QAN0137-001	MICROPHONE		1	
	358	QAM1419-001	CAR CABLE		1	M1
	501	B5A-0215-00	INST.MANUAL	ENG	1	M1
	501	B5A-0217-00	INST.MANUAL	ENG	1	Q1
	501	B5A-0214-00	INST.MANUAL	CHI(PEKIN)	1	K0
	502	B5A-0215-01	INST.MANUAL	CHI(PEKIN)	1	M1
	502	B5A-0217-07	INST.MANUAL	RUS	1	Q1
	502	B5A-0214-01	INST.MANUAL	FRE	1	K0
	503	B5A-0217-08	INST.MANUAL	UKR	1	Q1
	503	B5A-0214-02	INST.MANUAL	SPA	1	K0



MODEL	MARK	MODEL	MARK	MODEL	MARK
DDX6015BT	M1	DDX6015BTR	Q1	DDX672BH	K0

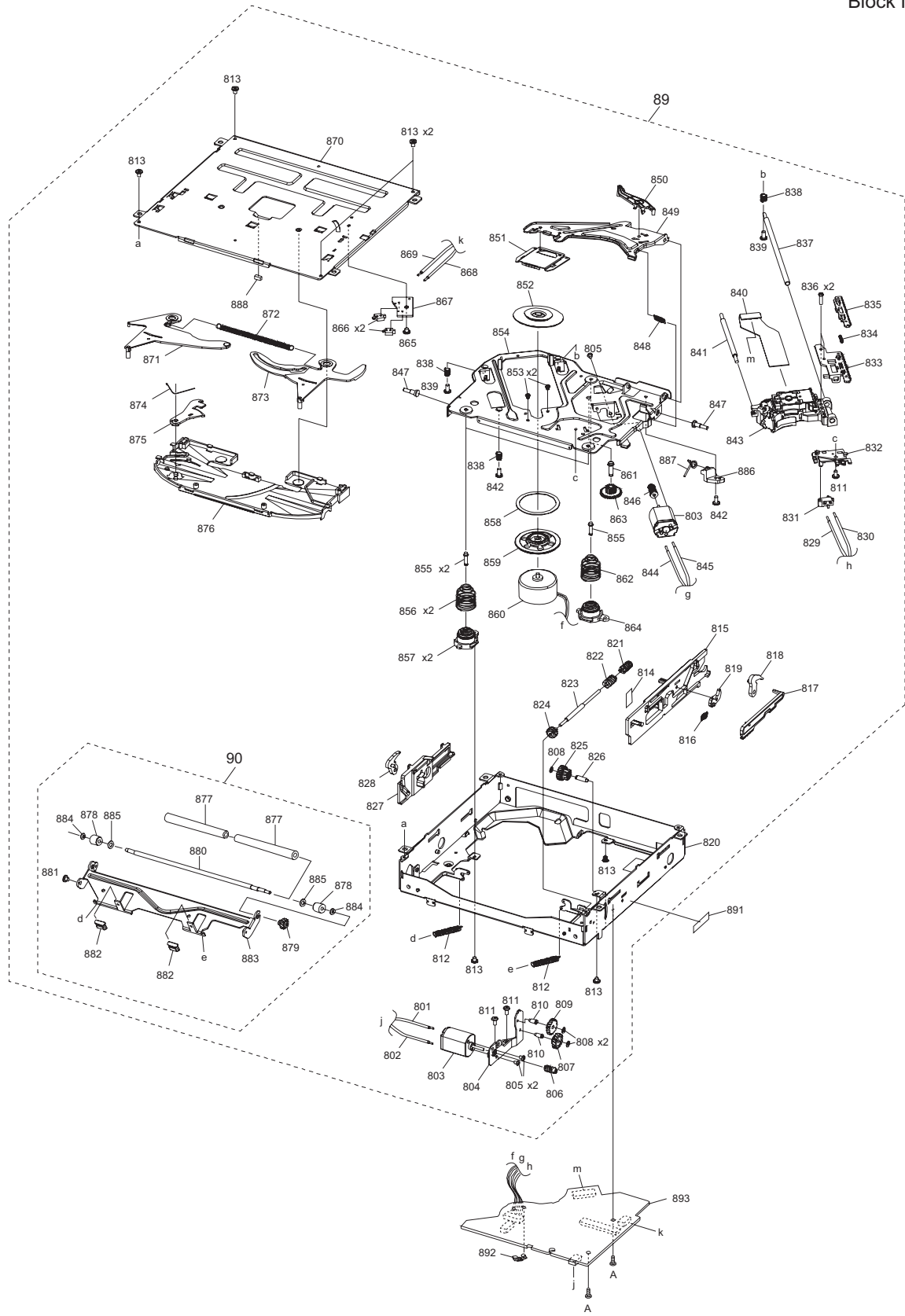
Safe	Symbol No.	Parts No.	Parts Name	Description	QTY	Local
------	------------	-----------	------------	-------------	-----	-------

EXPLODED VIEW (PANEL MECHA ASSY) <M2MM>

	PM1	QAR0378-002	FEED MOTOR		1	
	WH3	WJM0460-001A-E	E-SI C WIRE C-F		1	
	S	QYWFM315013	WASHER	5mm/3.1mm x 0.13mm	4	
	T	QYWDL164035	SLIT WASHER	4mm/1.6mm x 0.35mm	4	
	U	QYWDM215025	SLIT WASHER	5mm/2.1mm x 0.25mm	3	
	V	QYSPSFT1745ZA	TAP SCREW	M1.7 x 4.5mm	4	
	W	NOZ-0020-00	SPECIAL SCREW		13	
	X	QYSPSPT2020ZA	SCREW	M2 x 2mm	2	
	401	LV44666-003A	ROLLER(SLD)		4	
	402	LV36940-002A	RAIL GUIDE		2	
	403	LV37308-001A	GUIDE SPRING(L)		1	
	404	LV37309-001A	GUIDE SPRING(R)		1	
	405	LV40846-060A	SPACER(F)		1	
	406	LV40846-057A	SPACER(F)		1	
	407	LV36514-013A	DRIVE PLATE ASS		1	
	408	LV44453-004A	FRICTION SPRING		2	
	409	LV36516-001A	RACK GEAR		1	
	410	LV36517-003A	PHOTO PLATE		1	
	411	LV36509-003A	DR.CHASSIS ASSY		1	
	413	LV44451-001A	WORM GEAR		1	
	414	LV36511-001A	SECOND GEAR		1	
	415	LV36512-001A	THIRD GEAR		1	
	416	LV36513-001A	FORTH GEAR		1	
	417	LV44452-001A	SPRING(WORM)		1	

# EXPLODED VIEW (DVD MECHANISM: XJJ-0140-00)

Block No.MJMM



Parts with the exploded numbers larger than 800 are not supplied.

MODEL	MARK	MODEL	MARK	MODEL	MARK
DDX6015BT	M1	DDX6015BTR	Q1	DDX672BH	K0

Safe	Symbol No.	Parts No.	Parts Name	Description	QTY	Local
------	------------	-----------	------------	-------------	-----	-------

EXPLODED VIEW (DVD MECHANISM:XJJ-0140-00) <MJMM>

A		LV44615-001A	SPECIAL SCREW		2	
89		D4A-0010-00	DVD DRIVE		1	
90		D4A-0011-00	ROLLAR ASSY		1	

MODEL	MARK	MODEL	MARK	MODEL	MARK
DDX6015BT	M1	DDX6015BTR	Q1	DDX672BH	K0

Safe	Symbol No.	Parts No.	Parts Name	Description	QTY	Local
<b>MAIN PWB ASSY (XJ1-019x-xx) &lt;01&gt;</b>						
	IC1	LV5684NPVD	IC		1	
	IC111	MP9942GJ	ANALOG IC		1	
	IC131	MP9942GJ	ANALOG IC		1	
	IC151	LM3481MMX-X	IC		1	
	IC171	MP9942GJ	ANALOG IC		1	
	IC172	TPS2065CDBV	MOS IC		1	
	IC173	NJM2819ADL352X	IC		1	
	IC174	XC6503D501PG-X	IC		1	
	IC201	JCV8034	IC		1	
	IC301	TDA7721-X	IC		1	
	IC341	BH7673G-W	IC		1	
	IC351	NJM2535V-X	IC		1	
	IC361	NJM2535V-X	IC		1	
	IC362	NJM2561F1	BIPOLAR IC		1	
	IC401	SI4763-A42-GM	MOS IC		1	M1,Q1
	IC471	XC6201P502PR-X	IC		1	
	IC501	W3F-0017-00	MCU IC		1	
	IC502	BU4824F-W	IC		1	
	IC503	R1EX24016ATAA-X	IC		1	
	IC711	TC7SET08FU-J-X	IC(DIGITAL)		1	M1,K0
	IC721	TC7SH17FUJ	MOS IC		1	M1,K0
	IC731	NJM2584AM-X	SV-ANALOGUE IC		1	M1
	IC751	TC7SET08FU-J-X	IC(DIGITAL)		1	
	Q31	LSCR523EBFS8	TRANSISTOR		1	
	Q32	LSAR523EBFS8	TRANSISTOR		1	
	Q33	LTA014TUB-X	DIGI TRANSISTOR		1	
	Q34	LTC014YEBFS8	DIGI TRANSISTOR		1	
	Q35	LTC014YEBFS8	DIGI TRANSISTOR		1	
	Q36	LSCR523EBFS8	TRANSISTOR		1	
	Q37	LSAR523EBFS8	TRANSISTOR		1	
	Q41	LTC014YEBFS8	DIGI TRANSISTOR		1	
	Q42	LSCR523UBFS8	TRANSISTOR		1	
	Q43	LSAR523UBFS8	TRANSISTOR		1	
	Q51	LSCR523EBFS8	TRANSISTOR		1	
	Q91	LSAR523EBFS8	TRANSISTOR		1	
	Q92	LTA014YEBFS8	DIGI TRANSISTOR		1	
	Q93	LSCR523EBFS8	TRANSISTOR		1	
	Q94	LTC024EEB-X	DIGI TRANSISTOR		1	
	Q101	MTM98140-X	TRANSISTOR		1	
	Q102	LTA014EEBFS8	DIGI TRANSISTOR		1	
	Q105	LTC044EEBFS8	DIGI TRANSISTOR		1	
	Q151	RTQ035N03-W	MOS FET		1	
	Q252	LTA043ZUB-X	DIGI TRANSISTOR		1	
	Q261	LTC043TUB-X	DIGI TRANSISTOR		1	
	Q262	LTC043TUB-X	DIGI TRANSISTOR		1	
	Q263	LTC043TUB-X	DIGI TRANSISTOR		1	
	Q264	LTC043TUB-X	DIGI TRANSISTOR		1	
	Q265	LTC043TUB-X	DIGI TRANSISTOR		1	
	Q511	LTA014EEBFS8	DIGI TRANSISTOR		1	
	Q512	LTC014YEBFS8	DIGI TRANSISTOR		1	
	Q513	LTC014YEBFS8	DIGI TRANSISTOR		1	
	Q521	DSA2001/R/-X	TRANSISTOR		1	
	Q591	RE1C002ZP-X	MOS FET		1	
	Q592	LTC044EEBFS8	DIGI TRANSISTOR		1	
	Q601	LTA043ZEBFS8	DIGI TRANSISTOR		1	
	Q611	LTC043ZEBFS8	DIGI TRANSISTOR		1	
	Q612	LTC043ZEBFS8	DIGI TRANSISTOR		1	
	Q613	LTA043ZEBFS8	DIGI TRANSISTOR		1	
	Q614	LTA043ZEBFS8	DIGI TRANSISTOR		1	
	Q761	RE1C002ZP-X	MOS FET		1	M1
	Q762	LTC014YEBFS8	DIGI TRANSISTOR		1	M1
	Q771	RE1C002ZP-X	MOS FET		1	M1
	D1	1N5402-BPC07	DIODE		1	
	D2	GS1J-LTP-X	SI DIODE		1	
	D17	SK34A-L-X	SB DIODE		1	
	D18	MBRX130	SCHOTTKY DIODE		1	
	D31	DZ2J062M	ZENER DIODE		1	
	D41	DZ2J180M	ZENER DIODE		1	
	D42	DZ2J062M	ZENER DIODE		1	
	D61	DAP202U-X	SI DIODE		1	Q1
	D71	DZ2J062M	ZENER DIODE		1	
	D81	MBRX130	SCHOTTKY DIODE		1	
	D82	MBRX130	SCHOTTKY DIODE		1	M1,K0
	D83	MBRX130	SCHOTTKY DIODE		1	
	D84	MBRX130	SCHOTTKY DIODE		1	M1,K0
	D91	DA2J101	DIODE		1	
	D92	DA2J101	DIODE		1	
	D101	DZ2J180M	ZENER DIODE		1	
	D161	RB160L-40	SCHOTTKY DIODE		1	
	D162	DA2J101	DIODE		1	
	D164	DA2J101	DIODE		1	
	D183	DA2J101	DIODE		1	
	D184	DA2J101	DIODE		1	
	D241	DAP202U-X	SI DIODE		1	
	D251	DAP202U-X	SI DIODE		1	
	D301	DAP202U-X	SI DIODE		1	
	D511	DA2J101	DIODE		1	
	D761	DA2J101	DIODE		1	M1
	D771	DA2J101	DIODE		1	M1
	C1	QE20934-338	E CAPACITOR	3300uF	1	
	C11	CK730BY1E106K	C CAPACITOR	10uF 25V K	1	

MODEL	MARK	MODEL	MARK	MODEL	MARK
DDX6015BT	M1	DDX6015BTR	Q1	DDX672BH	K0

Safe	Symbol No.	Parts No.	Parts Name	Description	QTY	Local
	C12	CK730BY1E106K	C CAPACITOR	10uF 25V K	1	
	C13	CK73FXR1C106K	C CAPACITOR	10uF 16V K	1	
	C14	CK73FXR0J226M	C CAPACITOR	22uF 6.3V M	1	
	C15	CK73FXR1C106K	C CAPACITOR	10uF 16V K	1	
	C16	CE32CB1C470M	E CAPACITOR	47uF 16V M	1	
	C17	CD04CZ1E101M	E CAPACITOR	100uF 25V M	1	
	C18	CD04AZ1C471M	E CAPACITOR	470uF 16V M	1	
	C21	QE20852-337Z	E CAPACITOR	330uF	1	
	C23	CK73GXR0J106M	C CAPACITOR	10uF 6.3V M	1	
	C25	CK73FXR0J226M	C CAPACITOR	22uF 6.3V M	1	
	C27	CK73FBB1H224K	C CAPACITOR	0.22uF 50V K	1	
	C28	CK73FBB1H224K	C CAPACITOR	0.22uF 50V K	1	
	C41	CK73FBB1H334K	C CAPACITOR	0.33uF 50V K	1	
	C42	CK73GBB1H103K	C CAPACITOR	0.01uF 50V K	1	
	C51	CK73HBB1E103K	C CAPACITOR	0.01uF 25V K	1	
	C52	CK73HXR0J105K	C CAPACITOR	1uF 6.3V K	1	
	C61	CK73GBB1H104K	C CAPACITOR	0.1uF 50V K	1	
	C91	CK73GBB0J225K	C CAPACITOR	2.2uF 6.3V K	1	
	C92	CK73HBB1E103K	C CAPACITOR	0.01uF 25V K	1	
	C101	CK73FBB1H334K	C CAPACITOR	0.33uF 50V K	1	
	C112	CK730BY1E106K	C CAPACITOR	10uF 25V K	1	
	C118	CK73GBB1H104K	C CAPACITOR	0.1uF 50V K	1	
	C121	QE20852-337Z	E CAPACITOR	330uF	1	
	C123	CC73HCH1H101J	C CAPACITOR	100pF 50V J	1	
	C124	CK73GXR0J106M	C CAPACITOR	10uF 6.3V M	1	
	C125	CK73HBB1H102K	C CAPACITOR	1000pF 50V K	1	
	C126	CK73GBB1H104K	C CAPACITOR	0.1uF 50V K	1	
	C127	CK73GBB1H104K	C CAPACITOR	0.1uF 50V K	1	
	C132	CK730BY1E106K	C CAPACITOR	10uF 25V K	1	
	C138	CK73GBB1H104K	C CAPACITOR	0.1uF 50V K	1	
	C141	CE32BY1C221M	E CAPACITOR	220uF 16V M	1	
	C143	CC73HCH1H120J	C CAPACITOR	12pF 50V J	1	
	C144	CK73FXR1C106K	C CAPACITOR	10uF 16V K	1	
	C145	CK73HBB1H102K	C CAPACITOR	1000pF 50V K	1	
	C146	CK73GBB1H104K	C CAPACITOR	0.1uF 50V K	1	
	C147	CK73GBB1H104K	C CAPACITOR	0.1uF 50V K	1	
	C151	CK730BY1E106K	C CAPACITOR	10uF 25V K	1	
	C152	CK730BY1E106K	C CAPACITOR	10uF 25V K	1	
	C153	CK73GBB1H102K	C CAPACITOR	1000pF 50V K	1	
	C154	CK73HBB1C104K	C CAPACITOR	0.1uF 16V K	1	
	C155	CK73HBB1H391K	C CAPACITOR	390pF 50V K	1	
	C161	CD04CZ1E101M	E CAPACITOR	100uF 25V M	1	
	C162	CK730BY1E106K	C CAPACITOR	10uF 25V K	1	
	C163	CK730BY1E106K	C CAPACITOR	10uF 25V K	1	
	C164	CK73HBB1H821K	C CAPACITOR	820pF 50V K	1	
	C165	CK73GBB1H104K	C CAPACITOR	0.1uF 50V K	1	
	C166	CK73GBB1C105K	C CAPACITOR	1uF 16V K	1	
	C172	CK730BY1E106K	C CAPACITOR	10uF 25V K	1	
	C178	CK73GBB1H104K	C CAPACITOR	0.1uF 50V K	1	
	C181	CE32BY1C221M	E CAPACITOR	220uF 16V M	1	
	C183	CC73HCH1H120J	C CAPACITOR	12pF 50V J	1	
	C184	CK73FXR1C106K	C CAPACITOR	10uF 16V K	1	
	C185	CK73HBB1H102K	C CAPACITOR	1000pF 50V K	1	
	C186	CK73GBB1H104K	C CAPACITOR	0.1uF 50V K	1	
	C187	CK73GBB1H104K	C CAPACITOR	0.1uF 50V K	1	
	C188	CK73HBB1A104K	C CAPACITOR	0.1uF 10V K	1	
	C189	CK73HBB1A104K	C CAPACITOR	0.1uF 10V K	1	
	C190	CK73FXR1C106K	C CAPACITOR	10uF 16V K	1	
	C191	CE32BY1C221M	E CAPACITOR	220uF 16V M	1	
	C192	CK73FXR1C106K	C CAPACITOR	10uF 16V K	1	
	C193	CK73GBB1C105K	C CAPACITOR	1uF 16V K	1	
	C194	CK73GBB1C105K	C CAPACITOR	1uF 16V K	1	
	C200	CE32CB1C100M	E CAPACITOR	10uF 16V M	1	
	C201	CK73GBB1C224K	C CAPACITOR	0.22uF 16V K	1	
	C202	CK73GBB1C224K	C CAPACITOR	0.22uF 16V K	1	
	C203	CK73GBB1C224K	C CAPACITOR	0.22uF 16V K	1	
	C204	CK73GBB1C224K	C CAPACITOR	0.22uF 16V K	1	
	C206	CK73GBB1C224K	C CAPACITOR	0.22uF 16V K	1	
	C207	CK73GBB1A684K	C CAPACITOR	0.68uF 10V K	1	
	C221	CK73HBB1H221K	C CAPACITOR	220pF 50V K	1	
	C222	CK73HBB1H221K	C CAPACITOR	220pF 50V K	1	
	C223	CK73HBB1H221K	C CAPACITOR	220pF 50V K	1	
	C224	CK73HBB1H221K	C CAPACITOR	220pF 50V K	1	
	C225	CK73HBB1H221K	C CAPACITOR	220pF 50V K	1	
	C226	CK73HBB1H221K	C CAPACITOR	220pF 50V K	1	
	C227	CK73HBB1H221K	C CAPACITOR	220pF 50V K	1	
	C228	CK73HBB1H221K	C CAPACITOR	220pF 50V K	1	
	C241	CK73GBB1C105K	C CAPACITOR	1uF 16V K	1	
	C245	CK73GBB1C105K	C CAPACITOR	1uF 16V K	1	
	C251	CK730DK1E106K	C CAPACITOR	10uF 25V K	1	
	C252	CK730DK1E106K	C CAPACITOR	10uF 25V K	1	
	C253	CK730DK1E106K	C CAPACITOR	10uF 25V K	1	
	C254	CK730DK1E106K	C CAPACITOR	10uF 25V K	1	
	C255	CK730DK1E106K	C CAPACITOR	10uF 25V K	1	
	C271	CK73HBB1H102K	C CAPACITOR	1000pF 50V K	1	
	C272	CK73HBB1H102K	C CAPACITOR	1000pF 50V K	1	
	C273	CK73HBB1H102K	C CAPACITOR	1000pF 50V K	1	
	C274	CK73HBB1H102K	C CAPACITOR	1000pF 50V K	1	
	C275	CK73HBB1H102K	C CAPACITOR	1000pF 50V K	1	
	C301	CE32CB1C470M	E CAPACITOR	47uF 16V M	1	
	C302	CK73HBB1E103K	E CAPACITOR	0.01uF 25V K	1	
	C303	CE32CB1C470M	E CAPACITOR	47uF 16V M	1	

MODEL	MARK	MODEL	MARK	MODEL	MARK
DDX6015BT	M1	DDX6015BTR	Q1	DDX672BH	K0

Safe	Symbol No.	Parts No.	Parts Name	Description	QTY	Local
	C304	CK73GBB1C105K	C CAPACITOR	1uF 16V K	1	
	C305	CK73GBB1C105K	C CAPACITOR	1uF 16V K	1	
	C306	CK73GBB1C105K	C CAPACITOR	1uF 16V K	1	
	C307	CK73GBB1C105K	C CAPACITOR	1uF 16V K	1	
	C308	CK73GBB1C105K	C CAPACITOR	1uF 16V K	1	
	C313	CK73GXR0J475K	C CAPACITOR	4.7uF 6.3V K	1	
	C314	CK73GXR0J475K	C CAPACITOR	4.7uF 6.3V K	1	
	C335	CK73HBB1H102K	C CAPACITOR	1000pF 50V K	1	
	C336	CK73HBB1H102K	C CAPACITOR	1000pF 50V K	1	
	C341	CK73GBB1C105K	C CAPACITOR	1uF 16V K	1	
	C342	CK73GBB1C105K	C CAPACITOR	1uF 16V K	1	
	C343	CK73HBB1A104K	C CAPACITOR	0.1uF 10V K	1	
	C345	CK73GXR0J106M	C CAPACITOR	10uF 6.3V M	1	
	C346	CK73GBB1C105K	C CAPACITOR	1uF 16V K	1	
	C347	CK73GBB1C105K	C CAPACITOR	1uF 16V K	1	
	C351	CK73GBB1C105K	C CAPACITOR	1uF 16V K	1	
	C352	CK73GBB1C105K	C CAPACITOR	1uF 16V K	1	
	C354	CK73HBB1A104K	C CAPACITOR	0.1uF 10V K	1	
	C361	CK73GBB1C105K	C CAPACITOR	1uF 16V K	1	M1
	C362	CK73GBB1C105K	C CAPACITOR	1uF 16V K	1	
	C363	CK73GBB1C105K	C CAPACITOR	1uF 16V K	1	
	C364	CK73HBB1A104K	C CAPACITOR	0.1uF 10V K	1	
	C365	CK73HBB1A104K	C CAPACITOR	0.1uF 10V K	1	
	C366	CK73HBB1A104K	C CAPACITOR	0.1uF 10V K	1	
	C367	CD04AZ0J471M	E CAPACITOR	470uF 6.3V M	1	
	C402	CC73HCH1H101J	C CAPACITOR	100pF 50V J	1	M1,Q1
	C403	CK73HBB1H222K	C CAPACITOR	2200pF 50V K	1	M1,Q1
	C404	CK73HBB1H222K	C CAPACITOR	2200pF 50V K	1	M1,Q1
	C405	CK73HBB1H222K	C CAPACITOR	2200pF 50V K	1	M1,Q1
	C406	CK73FXR1C106K	C CAPACITOR	10uF 16V K	1	M1,Q1
	C407	CK73GBB1H222K	C CAPACITOR	2200pF 50V K	1	M1,Q1
	C408	CK73GBB1H102K	C CAPACITOR	1000pF 50V K	1	M1,Q1
	C409	CC73GCH1H390J	C CAPACITOR	39pF 50V J	1	M1,Q1
	C410	CC73GCH1H270J	C CAPACITOR	27pF 50V J	1	M1,Q1
△	C415	CC73GCH1H010C	C CAPACITOR	1pF 50V C	1	M1,Q1
	C416	CC73GCH1H050C	C CAPACITOR	5pF 50V C	1	M1,Q1
	C418	CK73GBB1C104K	C CAPACITOR	0.1uF 16V K	1	M1,Q1
	C419	CK73GBB1H103K	C CAPACITOR	0.01uF 50V K	1	M1,Q1
	C420	CK73FXR1C106K	C CAPACITOR	10uF 16V K	1	M1,Q1
	C421	CK73GBB1C104K	C CAPACITOR	0.1uF 16V K	1	M1,Q1
	C422	CK73GBB1H102K	C CAPACITOR	1000pF 50V K	1	M1,Q1
	C425	CK73GBB1H682K	C CAPACITOR	6800pF 50V K	1	M1,Q1
	C426	CK73GBB1H682K	C CAPACITOR	6800pF 50V K	1	M1,Q1
	C427	CK73GBB1A105K	C CAPACITOR	1uF 10V K	1	M1,Q1
	C428	CK73GBB1A105K	C CAPACITOR	1uF 10V K	1	M1,Q1
	C431	CK73FXR1C106K	C CAPACITOR	10uF 16V K	1	M1,Q1
	C432	CK73GBB1C105K	C CAPACITOR	1uF 16V K	1	M1,Q1
	C435	CC73GCH1H101J	C CAPACITOR	100pF 50V J	1	M1,Q1
	C436	CC73GCH1H101J	C CAPACITOR	100pF 50V J	1	M1,Q1
	C451	CK73GBB1H103K	C CAPACITOR	0.01uF 50V K	1	
	C452	CK73GBB1H104K	C CAPACITOR	0.1uF 50V K	1	
	C453	CK73GXR0J106M	C CAPACITOR	10uF 6.3V M	1	
	C461	CK73GBB1H103K	C CAPACITOR	0.01uF 50V K	1	
	C462	CK73GBB1H104K	C CAPACITOR	0.1uF 50V K	1	
	C463	CK73GXR0J106M	C CAPACITOR	10uF 6.3V M	1	
	C471	CK73GBB1C105K	C CAPACITOR	1uF 16V K	1	
	C472	CK73GBB1C105K	C CAPACITOR	1uF 16V K	1	
	C503	CK73GXR0J106M	C CAPACITOR	10uF 6.3V M	1	
	C504	CK73HBB1H222K	C CAPACITOR	2200pF 50V K	1	
	C505	CK73HXR0J105K	C CAPACITOR	1uF 6.3V K	1	
	C506	CK73HXR0J105K	C CAPACITOR	1uF 6.3V K	1	
	C507	CK73HBB1A104K	C CAPACITOR	0.1uF 10V K	1	
	C508	CK73HBB1A104K	C CAPACITOR	0.1uF 10V K	1	
	C509	CK73GBB1H104K	C CAPACITOR	0.1uF 50V K	1	
	C510	CK73HBB1E103K	C CAPACITOR	0.01uF 25V K	1	
	C511	CK73HBB1E103K	C CAPACITOR	0.01uF 25V K	1	
	C513	CK73HBB1E103K	C CAPACITOR	0.01uF 25V K	1	
	C516	CK73HBB1E103K	C CAPACITOR	0.01uF 25V K	1	
	C520	CK73HBB1E103K	C CAPACITOR	0.01uF 25V K	1	
	C522	CK73GBB1H103K	C CAPACITOR	0.01uF 50V K	1	
	C523	CK73HBB1E103K	C CAPACITOR	0.01uF 25V K	1	
	C524	CK73HBB1E103K	C CAPACITOR	0.01uF 25V K	1	
	C525	CK73HBB1E103K	C CAPACITOR	0.01uF 25V K	1	
	C527	CK73HBB1E103K	C CAPACITOR	0.01uF 25V K	1	
	C530	CK73HBB1E103K	C CAPACITOR	0.01uF 25V K	1	
	C531	CK73HBB1E103K	C CAPACITOR	0.01uF 25V K	1	
	C532	CK73HBB1E103K	C CAPACITOR	0.01uF 25V K	1	
	C533	CK73HBB1E103K	C CAPACITOR	0.01uF 25V K	1	
	C534	CK73HBB1E103K	C CAPACITOR	0.01uF 25V K	1	
	C536	CK73HBB1E103K	C CAPACITOR	0.01uF 25V K	1	
	C541	CK73HXR0J105K	C CAPACITOR	1uF 6.3V K	1	
	C542	CK73HBB1E103K	C CAPACITOR	0.01uF 25V K	1	
	C544	CK73HBB1E103K	C CAPACITOR	0.01uF 25V K	1	
	C551	CC73HCH1H100D	C CAPACITOR	10pF 50V D	1	
	C552	CC73HCH1H100D	C CAPACITOR	10pF 50V D	1	
	C561	CC73GCH1H220J	C CAPACITOR	22pF 50V J	1	
	C562	CC73GCH1H220J	C CAPACITOR	22pF 50V J	1	
	C564	CK73HBB1E103K	C CAPACITOR	0.01uF 25V K	1	
	C571	CK73HBB1E103K	C CAPACITOR	0.01uF 25V K	1	
	C592	CK73GXR0J106M	C CAPACITOR	10uF 6.3V M	1	
	C593	CK73HXR0J105K	C CAPACITOR	1uF 6.3V K	1	
	C594	CK73HBB1E103K	C CAPACITOR	0.01uF 25V K	1	
	C652	CK73HBB1E103K	C CAPACITOR	0.01uF 25V K	1	

MODEL	MARK	MODEL	MARK	MODEL	MARK
DDX6015BT	M1	DDX6015BTR	Q1	DDX672BH	K0

Safe	Symbol No.	Parts No.	Parts Name	Description	QTY	Local
	C653	CK73HBB1A104K	C CAPACITOR	0.1uF 10V K	1	
	C654	CK73GXR0J106M	C CAPACITOR	10uF 6.3V M	1	
	C656	CK73HBB1E103K	C CAPACITOR	0.01uF 25V K	1	
	C657	CK73HBB1A104K	C CAPACITOR	0.1uF 10V K	1	
	C658	CK73GXR0J106M	C CAPACITOR	10uF 6.3V M	1	
	C659	CD04AZ1C101M	E CAPACITOR	100uF 16V M	1	
	C660	CK73HBB1E103K	C CAPACITOR	0.01uF 25V K	1	
	C661	CK73HBB1A104K	C CAPACITOR	0.1uF 10V K	1	
	C662	CK73FXR1C106K	C CAPACITOR	10uF 16V K	1	
	C671	CK73HBB1H222K	C CAPACITOR	2200pF 50V K	1	
	C672	CK73HBB1H222K	C CAPACITOR	2200pF 50V K	1	
	C673	CK73HBB1H222K	C CAPACITOR	2200pF 50V K	1	
	C674	CK73HBB1H222K	C CAPACITOR	2200pF 50V K	1	
	C682	CK73HBB1C103K	C CAPACITOR	0.01uF 16V K	1	
	C692	CK73HBB1E103K	C CAPACITOR	0.01uF 25V K	1	
	C693	CK73HBB1H103K	C CAPACITOR	0.01uF 50V K	1	
	C711	CK73HBB1C104K	C CAPACITOR	0.1uF 16V K	1	M1,K0
	C721	CK73HBB1C104K	C CAPACITOR	0.1uF 16V K	1	M1,K0
	C731	CK73HXR0J105K	C CAPACITOR	1uF 6.3V K	1	M1
	C732	CK73HXR0J105K	C CAPACITOR	1uF 6.3V K	1	M1
	C733	CK73HXR0J105K	C CAPACITOR	1uF 6.3V K	1	M1
	C734	CK73HXR0J105K	C CAPACITOR	1uF 6.3V K	1	M1
	C735	CK73HXR0J105K	C CAPACITOR	1uF 6.3V K	1	M1
	C736	CK73HXR0J105K	C CAPACITOR	1uF 6.3V K	1	M1
	C737	CK73GXR0J106M	C CAPACITOR	10uF 6.3V M	1	
	C738	CK73HBB1A104K	C CAPACITOR	0.1uF 10V K	1	M1
	C751	CC73HCH1H331J	C CAPACITOR	330pF 50V J	1	
	C752	CC73HCH1H331J	C CAPACITOR	330pF 50V J	1	
	C753	CK73HBB1C103K	C CAPACITOR	0.01uF 16V K	1	
	C903	CK73GBB1H104K	C CAPACITOR	0.1uF 50V K	1	
	C904	CK73GBB1C105K	C CAPACITOR	1uF 16V K	1	
	C905	CK73GBB1C105K	C CAPACITOR	1uF 16V K	1	
	C906	CK73GBB1C105K	C CAPACITOR	1uF 16V K	1	
	C909	CK73GBB1C105K	C CAPACITOR	1uF 16V K	1	
	C910	CK73FXR0J226M	C CAPACITOR	22uF 6.3V M	1	
	C911	CK73GBB1H103K	C CAPACITOR	0.01uF 50V K	1	
	C912	CK73GBB1H104K	C CAPACITOR	0.1uF 50V K	1	
	C951	CC73HCH1H050C	C CAPACITOR	5pF 50V C	1	
	C952	CC73HCH1H050C	C CAPACITOR	5pF 50V C	1	
	C953	CC73HCH1H050C	C CAPACITOR	5pF 50V C	1	
	R18	RK73GH2A303D	MG RESISTOR	30kΩ 1/10W D	1	
	R19	RK73GH2A103D	MG RESISTOR	10kΩ 1/10W D	1	
	R20	RK73GH2A433D	MG RESISTOR	43kΩ 1/10W D	1	
	R22	RK73GH2A512D	MG RESISTOR	5.1kΩ 1/10W D	1	
	R29	RK73HH1J513D	MG RESISTOR	51kΩ 1/16W D	1	
	R30	RK73HH1J104D	MG RESISTOR	100kΩ 1/16W D	1	
	R31	RK73HH1J333D	MG RESISTOR	33kΩ 1/16W D	1	
	R32	RK73HB1J224J	MG RESISTOR	220kΩ 1/16W J	1	
	R33	RK73HB1J224J	MG RESISTOR	220kΩ 1/16W J	1	
	R34	RK73HB1J000J	MG RESISTOR	0Ω 1/16W J	1	
	R35	RK73HH1J753D	MG RESISTOR	75kΩ 1/16W D	1	
	R36	RK73HH1J304D	MG RESISTOR	300kΩ 1/16W D	1	
	R37	RK73HH1J304D	MG RESISTOR	300kΩ 1/16W D	1	
	R38	RK73HH1J154D	MG RESISTOR	150kΩ 1/16W D	1	
	R39	RK73HB1J224J	MG RESISTOR	220kΩ 1/16W J	1	
	R40	RK73HB1J224J	MG RESISTOR	220kΩ 1/16W J	1	
	R41	RK73EB2E153J	MG RESISTOR	15kΩ 1/4W J	1	
	R42	RK73HB1J304J	MG RESISTOR	300kΩ 1/16W J	1	
	R43	RK73HB1J304J	MG RESISTOR	300kΩ 1/16W J	1	
	R44	RK73GB2A623J	MG RESISTOR	62kΩ 1/10W J	1	
	R45	RK73EB2E102J	MG RESISTOR	1kΩ 1/4W J	1	
	R46	RK73EB2E102J	MG RESISTOR	1kΩ 1/4W J	1	
	R47	RK73EB2E102J	MG RESISTOR	1kΩ 1/4W J	1	
	R48	RK73HH1J224D	MG RESISTOR	220kΩ 1/16W D	1	
	R49	RK73HB1J224J	MG RESISTOR	220kΩ 1/16W J	1	
	R50	RK73HB1J224J	MG RESISTOR	220kΩ 1/16W J	1	
	R51	RK73GB2A223J	MG RESISTOR	22kΩ 1/10W J	1	
	R52	RK73GB2A472J	MG RESISTOR	4.7kΩ 1/10W J	1	
	R53	RK73GB2A472J	MG RESISTOR	4.7kΩ 1/10W J	1	
	R54	RK73HB1J333J	MG RESISTOR	33kΩ 1/16W J	1	
	R55	RK73HB1J223J	MG RESISTOR	22kΩ 1/16W J	1	
	R56	RK73HB1J101J	MG RESISTOR	100Ω 1/16W J	1	
	R61	RK73HB1J123J	MG RESISTOR	12kΩ 1/16W J	1	Q1
	R62	RK73HB1J683J	MG RESISTOR	68kΩ 1/16W J	1	Q1
	R63	RK73HB1J103J	MG RESISTOR	10kΩ 1/16W J	1	Q1
	R71	RK73GB2A152J	MG RESISTOR	1.5kΩ 1/10W J	1	
	R80	RK73GB2A000J	MG RESISTOR	0Ω 1/10W J	1	Q1
	R81	RK73FB2B472J	MG RESISTOR	4.7kΩ 1/8W J	1	
	R82	RK73FB2B472J	MG RESISTOR	4.7kΩ 1/8W J	1	M1,K0
	R91	RK73GB2A103J	MG RESISTOR	10kΩ 1/10W J	1	
	R93	RK73HB1J223J	MG RESISTOR	22kΩ 1/16W J	1	
	R94	RK73HB1J471J	MG RESISTOR	470Ω 1/16W J	1	
	R95	RK73HB1J473J	MG RESISTOR	47kΩ 1/16W J	1	
	R96	RK73HB1J473J	MG RESISTOR	47kΩ 1/16W J	1	
	R97	RK73GB2A272J	MG RESISTOR	2.7kΩ 1/10W J	1	
	R98	RK73HB1J102J	MG RESISTOR	1kΩ 1/16W J	1	
	R101	RK73HB1J223J	MG RESISTOR	22kΩ 1/16W J	1	
	R102	RK73HB1J103J	MG RESISTOR	10kΩ 1/16W J	1	
	R103	RK73HB1J471J	MG RESISTOR	470Ω 1/16W J	1	
	R112	RK73HB1J470J	MG RESISTOR	47Ω 1/16W J	1	
	R121	RK73HH1J513D	MG RESISTOR	51kΩ 1/16W D	1	
	R122	RK73HH1J163D	MG RESISTOR	16kΩ 1/16W D	1	

MODEL	MARK	MODEL	MARK	MODEL	MARK
DDX6015BT	M1	DDX6015BTR	Q1	DDX672BH	K0

Safe	Symbol No.	Parts No.	Parts Name	Description	QTY	Local
	R123	RK73HH1J513D	MG RESISTOR	51kΩ 1/16W D	1	
	R124	RK73HB1J200J	MG RESISTOR	20Ω 1/16W J	1	
	R125	RK73PB2H100J	MG RESISTOR	10Ω 1/2W J	1	
	R132	RK73HB1J470J	MG RESISTOR	47Ω 1/16W J	1	
	R141	RK73HH1J513D	MG RESISTOR	51kΩ 1/16W D	1	
	R142	RK73HH1J562D	MG RESISTOR	5.6kΩ 1/16W D	1	
	R143	RK73HH1J302D	MG RESISTOR	3kΩ 1/16W D	1	
	R144	RK73HB1J200J	MG RESISTOR	20Ω 1/16W J	1	
	R145	RK73PB2H100J	MG RESISTOR	10Ω 1/2W J	1	
	R151	RK73HB1J101J	MG RESISTOR	100Ω 1/16W J	1	
	R152	RK73HH1J563D	MG RESISTOR	56kΩ 1/16W D	1	
	R153	RK73PB2H100J	MG RESISTOR	10Ω 1/2W J	1	
	R154	RK73HH1J152D	MG RESISTOR	1.5kΩ 1/16W D	1	
	R155	RK73HH1J103D	MG RESISTOR	10kΩ 1/16W D	1	
	R156	RK73HB1J000J	MG RESISTOR	0Ω 1/16W J	1	
	R157	RK73HH1J164D	MG RESISTOR	160kΩ 1/16W D	1	
	R158	RK73EB2E560J	MG RESISTOR	56Ω 1/4W J	1	
	R161	RK73HH1J394D	MG RESISTOR	390kΩ 1/16W D	1	
	R162	RK73HH1J104D	MG RESISTOR	100kΩ 1/16W D	1	
	R163	RK73HH1J393D	MG RESISTOR	39kΩ 1/16W D	1	
	R164	RK73HB1J000J	MG RESISTOR	0Ω 1/16W J	1	
	R165	NR20126-R062X	MG RESISTOR	0.062Ω 1/3W J	1	
	R166	RK73HB1J4R7J	MG RESISTOR	4.7Ω 1/16W J	1	
	R172	RK73HB1J470J	MG RESISTOR	47Ω 1/16W J	1	
	R181	RK73HH1J473D	MG RESISTOR	47kΩ 1/16W D	1	
	R182	RK73HH1J752D	MG RESISTOR	7.5kΩ 1/16W D	1	
	R183	RK73HH1J302D	MG RESISTOR	3kΩ 1/16W D	1	
	R184	RK73HB1J200J	MG RESISTOR	20Ω 1/16W J	1	
	R185	RK73PB2H100J	MG RESISTOR	10Ω 1/2W J	1	
	R187	RK73HB1J223J	MG RESISTOR	22kΩ 1/16W J	1	
	R188	RK73HB1J103J	MG RESISTOR	10kΩ 1/16W J	1	
	R205	RK73HB1J6R8J	MG RESISTOR	6.8Ω 1/16W J	1	
	R240	RK73GB2A000J	MG RESISTOR	0Ω 1/10W J	1	
	R241	RK73GB2A123J	MG RESISTOR	12kΩ 1/10W J	1	
	R242	RK73HB1J331J	MG RESISTOR	330Ω 1/16W J	1	
	R243	RK73HB1J223J	MG RESISTOR	22kΩ 1/16W J	1	
	R244	RK73HB1J182J	MG RESISTOR	1.8kΩ 1/16W J	1	
	R245	RK73HB1J333J	MG RESISTOR	33kΩ 1/16W J	1	
	R246	RK73HB1J000J	MG RESISTOR	0Ω 1/16W J	1	
	R248	RK73HB1J000J	MG RESISTOR	0Ω 1/16W J	1	
	R251	RK73HB1J471J	MG RESISTOR	470Ω 1/16W J	1	
	R252	RK73HB1J471J	MG RESISTOR	470Ω 1/16W J	1	
	R253	RK73HB1J471J	MG RESISTOR	470Ω 1/16W J	1	
	R254	RK73HB1J471J	MG RESISTOR	470Ω 1/16W J	1	
	R255	RK73HB1J471J	MG RESISTOR	470Ω 1/16W J	1	
	R261	RK73HB1J223J	MG RESISTOR	22kΩ 1/16W J	1	
	R262	RK73HB1J223J	MG RESISTOR	22kΩ 1/16W J	1	
	R263	RK73HB1J223J	MG RESISTOR	22kΩ 1/16W J	1	
	R264	RK73HB1J223J	MG RESISTOR	22kΩ 1/16W J	1	
	R265	RK73HB1J223J	MG RESISTOR	22kΩ 1/16W J	1	
	R271	RK73GB2A101J	MG RESISTOR	100Ω 1/10W J	1	
	R272	RK73GB2A101J	MG RESISTOR	100Ω 1/10W J	1	
	R273	RK73GB2A101J	MG RESISTOR	100Ω 1/10W J	1	
	R274	RK73GB2A101J	MG RESISTOR	100Ω 1/10W J	1	
	R275	RK73GB2A101J	MG RESISTOR	100Ω 1/10W J	1	
	R301	RK73GB2A2R2J	MG RESISTOR	2.2Ω 1/10W J	1	
	R302	RK73HB1J102J	MG RESISTOR	1kΩ 1/16W J	1	
	R304	RK73HB1J103J	MG RESISTOR	10kΩ 1/16W J	1	
	R305	RK73HB1J101J	MG RESISTOR	100Ω 1/16W J	1	
	R306	RK73HB1J101J	MG RESISTOR	100Ω 1/16W J	1	
	R331	RK73GB2A100J	MG RESISTOR	10Ω 1/10W J	1	
	R332	RK73GB2A100J	MG RESISTOR	10Ω 1/10W J	1	
	R333	RK73GB2A620J	MG RESISTOR	62Ω 1/10W J	1	
	R334	RK73HB1J4R7J	MG RESISTOR	4.7Ω 1/16W J	1	
	R335	RK73GB2A332J	MG RESISTOR	3.3kΩ 1/10W J	1	
	R336	RK73GB2A332J	MG RESISTOR	3.3kΩ 1/10W J	1	
	R337	RK73GB2A162J	MG RESISTOR	1.6kΩ 1/10W J	1	
	R338	RK73HB1J223J	MG RESISTOR	22kΩ 1/16W J	1	
	R339	RK73HB1J223J	MG RESISTOR	22kΩ 1/16W J	1	
	R340	RK73HB1J302J	MG RESISTOR	3kΩ 1/16W J	1	
	R341	RK73HB1J302J	MG RESISTOR	3kΩ 1/16W J	1	
	R352	RK73HB1J105J	MG RESISTOR	1MΩ 1/16W J	1	
	R361	RK73GH2A750D	MG RESISTOR	75Ω 1/10W D	1	
	R362	RK73HB1J105J	MG RESISTOR	1MΩ 1/16W J	1	Q1,K0
	R371	RK73HH1J750D	MG RESISTOR	75Ω 1/16W D	1	
	R372	RK73GB2A100J	MG RESISTOR	10Ω 1/10W J	1	
	R401	RK73GB2A000J	MG RESISTOR	0Ω 1/10W J	1	M1,Q1
	R403	RK73GB2A240J	MG RESISTOR	24Ω 1/10W J	1	M1,Q1
	R404	RK73GB2A474J	MG RESISTOR	470kΩ 1/10W J	1	M1,Q1
	R405	RK73GB2A474J	MG RESISTOR	470kΩ 1/10W J	1	M1,Q1
	R410	RK73GB2A222J	MG RESISTOR	2.2kΩ 1/10W J	1	M1,Q1
	R411	RK73GB2A222J	MG RESISTOR	2.2kΩ 1/10W J	1	M1,Q1
	R412	RK73GB2A103J	MG RESISTOR	10kΩ 1/10W J	1	M1,Q1
	R414	RK73GB2A471J	MG RESISTOR	470Ω 1/10W J	1	M1,Q1
	R416	RK73HB1J470J	MG RESISTOR	47Ω 1/16W J	1	M1,Q1
	R417	RK73HB1J470J	MG RESISTOR	47Ω 1/16W J	1	M1,Q1
	R418	RK73HB1J470J	MG RESISTOR	47Ω 1/16W J	1	M1,Q1
	R426	RK73HB1J000J	MG RESISTOR	0Ω 1/16W J	1	M1,Q1
	R429	RK73GB2A150J	MG RESISTOR	15Ω 1/10W J	1	M1,Q1
	R430	RK73GB2A000J	MG RESISTOR	0Ω 1/10W J	1	M1,Q1
	R435	RK73GB2A000J	MG RESISTOR	0Ω 1/10W J	1	M1,Q1
	R436	RK73GB2A000J	MG RESISTOR	0Ω 1/10W J	1	M1,Q1

MODEL	MARK	MODEL	MARK	MODEL	MARK
DDX6015BT	M1	DDX6015BTR	Q1	DDX672BH	K0

Safe	Symbol No.	Parts No.	Parts Name	Description	QTY	Local
	R437	RK73GB2A102J	MG RESISTOR	1kΩ 1/10W J	1	
	R438	RK73GB2A000J	MG RESISTOR	0Ω 1/10W J	1	M1,Q1
	R439	RK73GB2A102J	MG RESISTOR	1kΩ 1/10W J	1	M1,Q1
	R440	RK73GB2A000J	MG RESISTOR	0Ω 1/10W J	1	M1,Q1
	R441	RK73GB2A000J	MG RESISTOR	0Ω 1/10W J	1	M1,Q1
	R442	RK73GB2A000J	MG RESISTOR	0Ω 1/10W J	1	M1,Q1
	R443	RK73GB2A000J	MG RESISTOR	0Ω 1/10W J	1	M1,Q1
	R444	RK73GB2A000J	MG RESISTOR	0Ω 1/10W J	1	M1,Q1
	R445	RK73GB2A223J	MG RESISTOR	22kΩ 1/10W J	1	M1,Q1
	R471	RK73EB2E100J	MG RESISTOR	10Ω 1/4W J	1	
	R497	RK73HB1J000J	MG RESISTOR	0Ω 1/16W J	1	M1,Q1
	R498	RK73HB1J000J	MG RESISTOR	0Ω 1/16W J	1	M1,Q1
	R499	RK73GB2A000J	MG RESISTOR	0Ω 1/10W J	1	K0
	R501	RK73GB2A473J	MG RESISTOR	47kΩ 1/10W J	1	
	R502	RK73HB1J102J	MG RESISTOR	1kΩ 1/16W J	1	
	R503	RK73HB1J472J	MG RESISTOR	4.7kΩ 1/16W J	1	
	R504	RK73HB1J154J	MG RESISTOR	150kΩ 1/16W J	1	
	R505	RK73HB1J101J	MG RESISTOR	100Ω 1/16W J	1	
	R507	RK73HB1J101J	MG RESISTOR	100Ω 1/16W J	1	
	R509	RK73HB1J000J	MG RESISTOR	0Ω 1/16W J	1	
	R510	RK73HB1J472J	MG RESISTOR	4.7kΩ 1/16W J	1	
	R511	RK73HB1J753J	MG RESISTOR	75kΩ 1/16W J	1	M1
	R512	RK73HB1J753J	MG RESISTOR	75kΩ 1/16W J	1	Q1,K0
	R514	RK73HB1J473J	MG RESISTOR	47kΩ 1/16W J	1	
	R515	RK73HB1J154J	MG RESISTOR	150kΩ 1/16W J	1	M1,Q1
	R515	RK73HB1J753J	MG RESISTOR	75kΩ 1/16W J	1	K0
	R516	RK73HB1J124J	MG RESISTOR	120kΩ 1/16W J	1	M1,Q1
	R517	RK73HB1J102J	MG RESISTOR	1kΩ 1/16W J	1	
	R518	RK73HB1J102J	MG RESISTOR	1kΩ 1/16W J	1	
	R519	RK73HB1J101J	MG RESISTOR	100Ω 1/16W J	1	
	R520	RK73HB1J473J	MG RESISTOR	47kΩ 1/16W J	1	
	R521	RK73HB1J154J	MG RESISTOR	150kΩ 1/16W J	1	M1,Q1
	R522	RK73HB1J124J	MG RESISTOR	120kΩ 1/16W J	1	M1
	R522	RK73HB1J753J	MG RESISTOR	75kΩ 1/16W J	1	Q1,K0
	R523	RK73HB1J103J	MG RESISTOR	10kΩ 1/16W J	1	
	R524	RK73HB1J753J	MG RESISTOR	75kΩ 1/16W J	1	
	R526	RK73HB1J753J	MG RESISTOR	75kΩ 1/16W J	1	
	R527	RK73HB1J473J	MG RESISTOR	47kΩ 1/16W J	1	
	R528	RK73HB1J102J	MG RESISTOR	1kΩ 1/16W J	1	
	R529	RK73HB1J106J	MG RESISTOR	10MΩ 1/16W J	1	
	R530	RK73HB1J102J	MG RESISTOR	1kΩ 1/16W J	1	
	R531	RK73HB1J102J	MG RESISTOR	1kΩ 1/16W J	1	
	R532	RK73HB1J102J	MG RESISTOR	1kΩ 1/16W J	1	
	R533	RK73HB1J123J	MG RESISTOR	12kΩ 1/16W J	1	
	R534	RK73HB1J123J	MG RESISTOR	12kΩ 1/16W J	1	
	R535	RK73HB1J102J	MG RESISTOR	1kΩ 1/16W J	1	
	R536	RK73HB1J102J	MG RESISTOR	1kΩ 1/16W J	1	
	R537	RK73HB1J473J	MG RESISTOR	47kΩ 1/16W J	1	
	R538	RK73HB1J473J	MG RESISTOR	47kΩ 1/16W J	1	
	R539	RK73HB1J473J	MG RESISTOR	47kΩ 1/16W J	1	
	R540	RK73HB1J474J	MG RESISTOR	470kΩ 1/16W J	1	
	R541	RK73HB1J473J	MG RESISTOR	47kΩ 1/16W J	1	M1,Q1
	R542	RK73HB1J473J	MG RESISTOR	47kΩ 1/16W J	1	K0
	R545	RK73HB1J101J	MG RESISTOR	100Ω 1/16W J	1	
	R546	RK73HB1J473J	MG RESISTOR	47kΩ 1/16W J	1	
	R547	RK73HB1J101J	MG RESISTOR	100Ω 1/16W J	1	
	R548	RK73HB1J104J	MG RESISTOR	100kΩ 1/16W J	1	
	R549	RK73HB1J101J	MG RESISTOR	100Ω 1/16W J	1	
	R550	RK73HB1J473J	MG RESISTOR	47kΩ 1/16W J	1	
	R551	RK73HB1J473J	MG RESISTOR	47kΩ 1/16W J	1	
	R552	RK73HB1J223J	MG RESISTOR	22kΩ 1/16W J	1	
	R553	RK73HB1J223J	MG RESISTOR	22kΩ 1/16W J	1	
	R557	RK73HB1J101J	MG RESISTOR	100Ω 1/16W J	1	
	R559	RK73HB1J101J	MG RESISTOR	100Ω 1/16W J	1	
	R561	RK73HB1J101J	MG RESISTOR	100Ω 1/16W J	1	
	R562	RK73HB1J473J	MG RESISTOR	47kΩ 1/16W J	1	
	R563	RK73HB1J104J	MG RESISTOR	100kΩ 1/16W J	1	
	R564	RK73HB1J222J	MG RESISTOR	2.2kΩ 1/16W J	1	
	R565	RK73HB1J101J	MG RESISTOR	100Ω 1/16W J	1	
	R566	RK73HB1J101J	MG RESISTOR	100Ω 1/16W J	1	
	R568	RK73HB1J473J	MG RESISTOR	47kΩ 1/16W J	1	
	R570	RK73HB1J101J	MG RESISTOR	100Ω 1/16W J	1	
	R571	RK73HB1J101J	MG RESISTOR	100Ω 1/16W J	1	
	R572	RK73HB1J101J	MG RESISTOR	100Ω 1/16W J	1	
	R575	RK73HB1J101J	MG RESISTOR	100Ω 1/16W J	1	
	R576	RK73HB1J101J	MG RESISTOR	100Ω 1/16W J	1	
	R578	RK73HB1J272J	MG RESISTOR	2.7kΩ 1/16W J	1	
	R579	RK73HB1J272J	MG RESISTOR	2.7kΩ 1/16W J	1	
	R581	RK73HB1J470J	MG RESISTOR	47Ω 1/16W J	1	
	R582	RK73HB1J473J	MG RESISTOR	47kΩ 1/16W J	1	
	R583	RK73HB1J473J	MG RESISTOR	47kΩ 1/16W J	1	
	R584	RK73HB1J101J	MG RESISTOR	100Ω 1/16W J	1	
	R585	RK73HB1J123J	MG RESISTOR	12kΩ 1/16W J	1	
	R586	RK73HB1J101J	MG RESISTOR	100Ω 1/16W J	1	
	R587	RK73HB1J153J	MG RESISTOR	15kΩ 1/16W J	1	
	R588	RK73HB1J101J	MG RESISTOR	100Ω 1/16W J	1	
	R589	RK73HB1J473J	MG RESISTOR	47kΩ 1/16W J	1	
	R590	RK73HB1J473J	MG RESISTOR	47kΩ 1/16W J	1	
	R592	RK73HB1J473J	MG RESISTOR	47kΩ 1/16W J	1	Q1,K0
	R593	RK73HB1J473J	MG RESISTOR	47kΩ 1/16W J	1	M1
	R594	RK73HB1J473J	MG RESISTOR	47kΩ 1/16W J	1	
	R595	RK73HB1J104J	MG RESISTOR	100kΩ 1/16W J	1	
	R596	RK73HB1J222J	MG RESISTOR	2.2kΩ 1/16W J	1	

MODEL	MARK	MODEL	MARK	MODEL	MARK
DDX6015BT	M1	DDX6015BTR	Q1	DDX672BH	K0

Safe	Symbol No.	Parts No.	Parts Name	Description	QTY	Local
	R611	RK73HB1J333J	MG RESISTOR	33kΩ 1/16W J	1	
	R612	RK73HB1J333J	MG RESISTOR	33kΩ 1/16W J	1	
	R621	RK73HB1J470J	MG RESISTOR	47Ω 1/16W J	1	
	R622	RK73HB1J470J	MG RESISTOR	47Ω 1/16W J	1	
	R623	RK73HB1J470J	MG RESISTOR	47Ω 1/16W J	1	
	R661	RK73GH2A151D	MG RESISTOR	150Ω 1/10W D	1	
	R662	RK73GH2A151D	MG RESISTOR	150Ω 1/10W D	1	
	R663	RK73GH2A151D	MG RESISTOR	150Ω 1/10W D	1	
	R664	RK73GH2A151D	MG RESISTOR	150Ω 1/10W D	1	
	R671	RK73HB1J221J	MG RESISTOR	220Ω 1/16W J	1	
	R672	RK73HB1J221J	MG RESISTOR	220Ω 1/16W J	1	
	R673	RK73HB1J221J	MG RESISTOR	220Ω 1/16W J	1	
	R674	RK73HB1J221J	MG RESISTOR	220Ω 1/16W J	1	
	R681	RK73HB1J000J	MG RESISTOR	0Ω 1/16W J	1	
	R682	RK73HB1J000J	MG RESISTOR	0Ω 1/16W J	1	
	R683	RK73GB2A222J	MG RESISTOR	2.2kΩ 1/10W J	1	
	R714	RK73HB1J272J	MG RESISTOR	2.7kΩ 1/16W J	1	K0
	R715	RK73HB1J272J	MG RESISTOR	2.7kΩ 1/16W J	1	M1,K0
	R716	RK73HB1J101J	MG RESISTOR	100Ω 1/16W J	1	K0
	R721	RK73HB1J473J	MG RESISTOR	47kΩ 1/16W J	1	M1,K0
	R722	RK73HB1J101J	MG RESISTOR	100Ω 1/16W J	1	
	R723	RK73HB1J101J	MG RESISTOR	100Ω 1/16W J	1	
	R724	RK73HB1J473J	MG RESISTOR	47kΩ 1/16W J	1	
	R725	RK73HB1J124J	MG RESISTOR	120kΩ 1/16W J	1	Q1
	R725	RK73HB1J753J	MG RESISTOR	75kΩ 1/16W J	1	K0
	R726	RK73HB1J753J	MG RESISTOR	75kΩ 1/16W J	1	M1
	R726	RK73HB1J154J	MG RESISTOR	150kΩ 1/16W J	1	Q1
	R731	RK73HB1J105J	MG RESISTOR	1MΩ 1/16W J	1	M1
	R732	RK73HB1J105J	MG RESISTOR	1MΩ 1/16W J	1	M1
	R733	RK73HB1J105J	MG RESISTOR	1MΩ 1/16W J	1	M1
	R734	RK73HB1J105J	MG RESISTOR	1MΩ 1/16W J	1	M1
	R735	RK73HB1J105J	MG RESISTOR	1MΩ 1/16W J	1	M1
	R736	RK73HB1J105J	MG RESISTOR	1MΩ 1/16W J	1	M1
	R737	RK73HB1J000J	MG RESISTOR	0Ω 1/16W J	1	Q1,K0
	R738	RK73HB1J000J	MG RESISTOR	0Ω 1/16W J	1	Q1,K0
	R739	RK73HB1J000J	MG RESISTOR	0Ω 1/16W J	1	Q1,K0
	R751	RK73HB1J101J	MG RESISTOR	100Ω 1/16W J	1	
	R752	RK73HB1J101J	MG RESISTOR	100Ω 1/16W J	1	
	R755	RK73HB1J912J	MG RESISTOR	9.1kΩ 1/16W J	1	
	R756	RK73HB1J223J	MG RESISTOR	22kΩ 1/16W J	1	
	R757	RK73HB1J104J	MG RESISTOR	100kΩ 1/16W J	1	
	R758	RK73HB1J153J	MG RESISTOR	15kΩ 1/16W J	1	
	R759	RK73HB1J000J	MG RESISTOR	0Ω 1/16W J	1	M1
	R762	RK73GH2A472D	MG RESISTOR	4.7kΩ 1/10W D	1	M1
	R763	RK73EB2E511J	MG RESISTOR	510Ω 1/4W J	1	M1
	R764	RK73GB2A152J	MG RESISTOR	1.5kΩ 1/10W J	1	M1
	R765	RK73GB2A681J	MG RESISTOR	680Ω 1/10W J	1	M1
	R766	RK73GB2A104J	MG RESISTOR	100kΩ 1/10W J	1	M1
	R767	RK73GB2A102J	MG RESISTOR	1kΩ 1/10W J	1	M1
	R772	RK73GH2A472D	MG RESISTOR	4.7kΩ 1/10W D	1	M1
	R773	RK73EB2E511J	MG RESISTOR	510Ω 1/4W J	1	M1
	R774	RK73GB2A152J	MG RESISTOR	1.5kΩ 1/10W J	1	M1
	R775	RK73GB2A681J	MG RESISTOR	680Ω 1/10W J	1	M1
	R776	RK73GB2A104J	MG RESISTOR	100kΩ 1/10W J	1	M1
	R777	RK73GB2A102J	MG RESISTOR	1kΩ 1/10W J	1	M1
	R786	RK73HB1J473J	MG RESISTOR	47kΩ 1/16W J	1	
	R793	RK73HB1J472J	MG RESISTOR	4.7kΩ 1/16W J	1	
	R795	RK73HB1J222J	MG RESISTOR	2.2kΩ 1/16W J	1	
	R796	RK73HB1J222J	MG RESISTOR	2.2kΩ 1/16W J	1	
	R797	RK73HB1J103J	MG RESISTOR	10kΩ 1/16W J	1	
	R798	RK73HB1J103J	MG RESISTOR	10kΩ 1/16W J	1	
	R811	RK73HB1J472J	MG RESISTOR	4.7kΩ 1/16W J	1	K0
	R813	RK73HB1J472J	MG RESISTOR	4.7kΩ 1/16W J	1	K0
	R814	RK73HB1J472J	MG RESISTOR	4.7kΩ 1/16W J	1	K0
	R831	RK73GB2A000J	MG RESISTOR	0Ω 1/10W J	1	K0
	R832	RK73GB2A000J	MG RESISTOR	0Ω 1/10W J	1	K0
	R833	RK73GB2A000J	MG RESISTOR	0Ω 1/10W J	1	K0
	R834	RK73GB2A000J	MG RESISTOR	0Ω 1/10W J	1	K0
	R835	RK73GB2A000J	MG RESISTOR	0Ω 1/10W J	1	K0
	R843	RK73HB1J473J	MG RESISTOR	47kΩ 1/16W J	1	
	R844	RK73HB1J101J	MG RESISTOR	100Ω 1/16W J	1	
	R845	RK73HB1J101J	MG RESISTOR	100Ω 1/16W J	1	
	R846	RK73HB1J473J	MG RESISTOR	47kΩ 1/16W J	1	
	R891	RK73GB2A000J	MG RESISTOR	0Ω 1/10W J	1	
	R892	RK73GB2A000J	MG RESISTOR	0Ω 1/10W J	1	
	R893	RK73EB2E000J	MG RESISTOR	0Ω 1/4W J	1	
	R894	RK73GB2A000J	MG RESISTOR	0Ω 1/10W J	1	
	R895	RK73GB2A000J	MG RESISTOR	0Ω 1/10W J	1	
	R896	RK73GB2A000J	MG RESISTOR	0Ω 1/10W J	1	
	R897	RK73GB2A000J	MG RESISTOR	0Ω 1/10W J	1	
	R903	RK73GB2A220J	MG RESISTOR	22Ω 1/10W J	1	
	R907	RK73GB2A222J	MG RESISTOR	2.2kΩ 1/10W J	1	
	R909	RK73GB2A473J	MG RESISTOR	47kΩ 1/10W J	1	
	R913	RK73HB1J473J	MG RESISTOR	47kΩ 1/16W J	1	
	R917	RK73GB2A000J	MG RESISTOR	0Ω 1/10W J	1	
	R941	RK73GB2A101J	MG RESISTOR	100Ω 1/10W J	1	
	R942	RK73GB2A101J	MG RESISTOR	100Ω 1/10W J	1	
	R951	RK73GB2A100J	MG RESISTOR	10Ω 1/10W J	1	
	R952	RK73GB2A100J	MG RESISTOR	10Ω 1/10W J	1	
	R953	RK73HB1J100J	MG RESISTOR	10Ω 1/16W J	1	
	RA561	RK74HB1J470J	NET RESISTOR	47Ω 1/16W J	1	
	RA581	RK74HB1J470J	NET RESISTOR	47Ω 1/16W J	1	

MODEL	MARK	MODEL	MARK	MODEL	MARK
DDX6015BT	M1	DDX6015BTR	Q1	DDX672BH	K0

Safe	Symbol No.	Parts No.	Parts Name	Description	QTY	Local
	RA781	RK74HB1J470J	NET RESISTOR	47Ω 1/16W J	1	
	RA841	RK74HB1J470J	NET RESISTOR	47Ω 1/16W J	1	
	L1	QQR1883-002	CHOKE COIL		1	
	L121	LR79Z0DE220M	CHIP INDUCTOR	22uH	1	
	L141	LR79Z0DE220M	CHIP INDUCTOR	22uH	1	
	L151	NQLL8EM-470X	INDUCTOR	47uH M	1	
	L181	NQLL8EM-100X	INDUCTOR	10uH M	1	
	L401	LK73G0BER15K	M.CHIP INDUCTOR		1	M1,Q1
	L402	LK73G0BE82NK	M.CHIP INDUCTOR		1	M1,Q1
	L403	LK73G0BER12K	M.CHIP INDUCTOR		1	M1,Q1
	L405	LK73G0BE1R8K	M.CHIP INDUCTOR		1	M1,Q1
	L408	LK73G0BER39K	M.CHIP INDUCTOR		1	M1,Q1
	L410	L1K-0001-00	BALUN TRANS		1	M1,Q1
	L414	LK73G0BE100K	M.CHIP INDUCTOR		1	M1,Q1
	L451	LR73Z0AD4R7M	CHIP INDUCTOR	4.7uH	1	
	L461	LR73Z0AD4R7M	CHIP INDUCTOR	4.7uH	1	
	L501	NQR0199-003X	FERRITE BEADS		1	
	L601	NQR0154-005X	FERRITE CORE		1	
	L602	NQR0154-005X	FERRITE CORE		1	
	L651	LR73Z0AD4R7M	CHIP INDUCTOR	4.7uH	1	
	L652	LR73Z0AD4R7M	CHIP INDUCTOR	4.7uH	1	
	L653	LR79Z0AG100M	CHIP INDUCTOR	10uH	1	
	L681	NQR0704-001X	CHOKE COIL		1	
	L902	LR73Z0AD470M	CHIP INDUCTOR	47uH	1	
	A901	QAU0559-001	RF MODULE		1	
	CN1	QGA2501C1-02	W TO B CONNE	W-B (1-2)	1	K0
	CN91	QGA2501C1-02	W TO B CONNE	W-B (1-2)	1	
	CN501	QGF0534F7-22X	FFC/FPC CONNE	FFC/FPC (1-22)	1	M1,K0
	CN602	QGF0534F7-50X	FFC/FPC CONNE	FFC/FPC (1-50)	1	
	CN651	QGF0534F7-50X	FFC/FPC CONNE	FFC/FPC (1-50)	1	
	CN681	QGA2001F1-05	W TO B CONNE	W-B (1-5)	1	
△	F101	NMFZ032-4R0X-H	FUSE	4A	1	
	J1	QNZ0607-001	CAR CONNECTOR		1	
	J271	QNN0889-001	PIN JACK		1	
	J331	QNS0291-001	3.5 JACK		1	
	J371	QNN0890-001	PIN JACK		1	
	J401	QNB0356-001	ANT TERMINAL		1	
	J941	QNS0307-001	3.5 JACK		1	
	TH241	NAD0052-471X	P THERMISTOR	470Ω	1	
	VA91	NAF0044-270X	VARIATOR(ZNR)		1	
	VA92	NAF0045-180X	VARIATOR(ZNR)		1	
	VA271	NAF0045-180X	VARIATOR(ZNR)		1	
	VA272	NAF0045-180X	VARIATOR(ZNR)		1	
	VA273	NAF0045-180X	VARIATOR(ZNR)		1	
	VA274	NAF0045-180X	VARIATOR(ZNR)		1	
	VA275	NAF0045-180X	VARIATOR(ZNR)		1	
	VA277	NAF0045-180X	VARIATOR(ZNR)		1	
	VA331	NAF0044-270X	VARIATOR(ZNR)		1	
	VA332	NAF0044-270X	VARIATOR(ZNR)		1	
	VA335	NAF0045-180X	VARIATOR(ZNR)		1	
	VA336	NAF0045-180X	VARIATOR(ZNR)		1	
	VA361	NAF0044-270X	VARIATOR(ZNR)		1	
	VA371	NAF0044-270X	VARIATOR(ZNR)		1	
	VA400	NAF0024-001X	ESD SUPPRESSOR		1	
	VA941	NAF0045-180X	VARIATOR(ZNR)		1	
	VA942	NAF0045-180X	VARIATOR(ZNR)		1	
	X401	L7J-0021-00	QUARTZ CRYSTAL		1	M1,Q1
	X501	NAX1253-001X	CRYSTAL		1	
	X502	L7J-0059-00	QUARTZ CRYSTAL		1	
OPERATION PWB ASSY (XJ7-0100-10) <02>						
	IC651	PIC95603-X	IR DETECT UNIT		1	
	D651	NSSM124T-W	LED		1	
	D652	NSSM124T-W	LED		1	
	D653	NSSM124T-W	LED		1	
	D654	NSSM124T-W	LED		1	
	D658	SML-D12V8W/NPQX	LED		1	
	C651	CK73GBB1C104K	C CAPACITOR	0.1uF 16V K	1	
	C652	CK73GBB1C104K	C CAPACITOR	0.1uF 16V K	1	
	C653	CK73GBB1C104K	C CAPACITOR	0.1uF 16V K	1	
	C654	CK73GBB1C104K	C CAPACITOR	0.1uF 16V K	1	
	C655	CK73GBB0J105K	C CAPACITOR	1uF 6.3V K	1	
	C656	CK73GBB1C104K	C CAPACITOR	0.1uF 16V K	1	
	C657	CK73GBB1C104K	C CAPACITOR	0.1uF 16V K	1	
	R651	RK73GB2A182J	MG RESISTOR	1.8kΩ 1/10W J	1	
	R652	RK73GB2A242J	MG RESISTOR	2.4kΩ 1/10W J	1	
	R653	RK73GB2A332J	MG RESISTOR	3.3kΩ 1/10W J	1	
	R654	RK73GB2A182J	MG RESISTOR	1.8kΩ 1/10W J	1	
	R655	RK73GB2A242J	MG RESISTOR	2.4kΩ 1/10W J	1	
	CN651	QGF0545F2-13X	FFC/FPC CONNE	FFC/FPC (1-13)	1	
	S651	S7A-0002-00	TACTILE PUSH SW		1	
	S652	S7A-0002-00	TACTILE PUSH SW		1	
	S653	S7A-0002-00	TACTILE PUSH SW		1	
	S654	S7A-0002-00	TACTILE PUSH SW		1	
	S655	S7A-0002-00	TACTILE PUSH SW		1	
	S656	S7A-0002-00	TACTILE PUSH SW		1	
	S657	S7A-0002-00	TACTILE PUSH SW		1	
	S659	NSW0342-001X	TACT SWITCH		1	
SIGNAL PROCESS. PWB ASSY (XJ9-0040-10) <03>						
	IC791	BA6956AN	IC		1	
	Q791	LTC014YEBFS8	DIGI TRANSISTOR		1	
	D791	MBRX130	SCHOTTKY DIODE		1	

MODEL	MARK	MODEL	MARK	MODEL	MARK
DDX6015BT	M1	DDX6015BTR	Q1	DDX672BH	K0

Safe	Symbol No.	Parts No.	Parts Name	Description	QTY	Local
	D792	DZ2J056M	ZENER DIODE		1	
	C791	CD04AV1C101M	E CAPACITOR	100uF 16V M	1	
	C792	CK73HBB1C473K	C CAPACITOR	0.047uF 16V K	1	
	R791	RK73HB1J102J	MG RESISTOR	1kΩ 1/16W J	1	
	R792	RK73HB1J222J	MG RESISTOR	2.2kΩ 1/16W J	1	
	CN791	QGF0534F7-08X	FFC/FPC CONNE	FFC/FPC (1-8)	1	
	CN793	QGF0534F7-50X	FFC/FPC CONNE	FFC/FPC (1-50)	1	
	CN794	QGF0567F1-45W	FFC/FPC CONNE	FFC/FPC (1-45)	1	
	VA701	NAF0044-270X	VARIATOR(ZNR)		1	
	VA702	NAF0044-270X	VARIATOR(ZNR)		1	
	VA703	NAF0044-270X	VARIATOR(ZNR)		1	
	VA706	NAF0044-270X	VARIATOR(ZNR)		1	
	VA707	NAF0044-270X	VARIATOR(ZNR)		1	
	VA711	NAF0044-270X	VARIATOR(ZNR)		1	
	VA712	NAF0044-270X	VARIATOR(ZNR)		1	
	VA713	NAF0044-270X	VARIATOR(ZNR)		1	
	VA714	NAF0044-270X	VARIATOR(ZNR)		1	
	VA723	NAF0044-270X	VARIATOR(ZNR)		1	
	VA724	NAF0044-270X	VARIATOR(ZNR)		1	
	VA728	NAF0044-270X	VARIATOR(ZNR)		1	
	VA729	NAF0044-270X	VARIATOR(ZNR)		1	
	VA730	NAF0044-270X	VARIATOR(ZNR)		1	
	VA731	NAF0044-270X	VARIATOR(ZNR)		1	
	VA732	NAF0044-270X	VARIATOR(ZNR)		1	
	VA733	NAF0044-270X	VARIATOR(ZNR)		1	
	VA739	NAF0044-270X	VARIATOR(ZNR)		1	
	VA741	NAF0044-270X	VARIATOR(ZNR)		1	
	VA743	NAF0044-270X	VARIATOR(ZNR)		1	
	VA744	NAF0044-270X	VARIATOR(ZNR)		1	
	VA745	NAF0044-270X	VARIATOR(ZNR)		1	
DAUGHTER PWB ASSY (XJF-0040-x1) <04>						
	IC951	TC74HCT4053FT	MOS IC		1	M1
	D401	DZ2J068M	ZENER DIODE		1	M1
	C112	CK73HBB1H102K	C CAPACITOR	1000pF 50V K	1	M1
	C113	CK73HBB1H102K	C CAPACITOR	1000pF 50V K	1	M1
	C114	CK73HBB1H102K	C CAPACITOR	1000pF 50V K	1	M1
	C122	CK73GBB1C105K	C CAPACITOR	1uF 16V K	1	M1
	C123	CK73GBB1C105K	C CAPACITOR	1uF 16V K	1	M1
	C124	CK73GXR0J106M	C CAPACITOR	10uF 6.3V M	1	M1
	C401	CK73HBB1H102K	C CAPACITOR	1000pF 50V K	1	M1,K0
	C412	CK73HBB1H102K	C CAPACITOR	1000pF 50V K	1	M1,K0
	C413	CK73HBB1H102K	C CAPACITOR	1000pF 50V K	1	M1,K0
	C414	CK73HBB1H102K	C CAPACITOR	1000pF 50V K	1	M1,K0
	C416	CK73GBB1C105K	C CAPACITOR	1uF 16V K	1	M1,K0
	C417	CK73GBB1C105K	C CAPACITOR	1uF 16V K	1	M1,K0
	C418	CK73GXR0J106M	C CAPACITOR	10uF 6.3V M	1	M1,K0
	C761	CK73HBB1H102K	C CAPACITOR	1000pF 50V K	1	M1
	C951	CK73GBB1H104K	C CAPACITOR	0.1uF 50V K	1	M1
	C952	CK73GXR0J106M	C CAPACITOR	10uF 6.3V M	1	M1
	C953	CK73GBB1C105K	C CAPACITOR	1uF 16V K	1	M1
	C954	CK73GBB1C105K	C CAPACITOR	1uF 16V K	1	M1
	C955	CK73GXR0J106M	C CAPACITOR	10uF 6.3V M	1	M1
	R101	RK73GB2A100J	MG RESISTOR	10Ω 1/10W J	1	M1
	R104	RK73HH1J750D	MG RESISTOR	75Ω 1/16W D	1	M1
	R110	RK73HB1J302J	MG RESISTOR	3kΩ 1/16W J	1	M1
	R111	RK73HB1J302J	MG RESISTOR	3kΩ 1/16W J	1	M1
	R112	RK73GB2A332J	MG RESISTOR	3.3kΩ 1/10W J	1	M1
	R113	RK73GB2A332J	MG RESISTOR	3.3kΩ 1/10W J	1	M1
	R114	RK73GB2A162J	MG RESISTOR	1.6kΩ 1/10W J	1	M1
	R115	RK73HB1J223J	MG RESISTOR	22kΩ 1/16W J	1	M1
	R116	RK73HB1J223J	MG RESISTOR	22kΩ 1/16W J	1	M1
	R119	RK73HB1J100J	MG RESISTOR	10Ω 1/16W J	1	M1
	R401	RK73GB2A101J	MG RESISTOR	100Ω 1/10W J	1	M1,K0
	R412	RK73GB2A100J	MG RESISTOR	10Ω 1/10W J	1	M1,K0
	R413	RK73GB2A100J	MG RESISTOR	10Ω 1/10W J	1	M1,K0
	R414	RK73GB2A4R7J	MG RESISTOR	4.7Ω 1/10W J	1	M1,K0
	R421	RK73HH1J750D	MG RESISTOR	75Ω 1/16W D	1	M1
	R422	RK73HH1J750D	MG RESISTOR	75Ω 1/16W D	1	M1
	R423	RK73HH1J750D	MG RESISTOR	75Ω 1/16W D	1	M1
	R425	RK73GB2A101J	MG RESISTOR	100Ω 1/10W J	1	M1
	R426	RK73GB2A101J	MG RESISTOR	100Ω 1/10W J	1	M1
	R427	RK73GB2A101J	MG RESISTOR	100Ω 1/10W J	1	M1
	R428	RK73GB2A100J	MG RESISTOR	10Ω 1/10W J	1	M1
	R704	RK73GB2A102J	MG RESISTOR	1kΩ 1/10W J	1	M1,K0
	R711	RK73GB2A101J	MG RESISTOR	100Ω 1/10W J	1	M1,K0
	R712	RK73GB2A101J	MG RESISTOR	100Ω 1/10W J	1	M1,K0
	R761	RK73GB2A470J	MG RESISTOR	47Ω 1/10W J	1	M1
	R771	RK73GB2A470J	MG RESISTOR	47Ω 1/10W J	1	M1
	R954	RK73HB1J000J	MG RESISTOR	0Ω 1/16W J	1	K0
	R955	RK73HB1J000J	MG RESISTOR	0Ω 1/16W J	1	K0
	R956	RK73HB1J000J	MG RESISTOR	0Ω 1/16W J	1	K0
	R957	RK73HB1J153J	MG RESISTOR	15kΩ 1/16W J	1	M1
	R958	RK73HB1J103J	MG RESISTOR	10kΩ 1/16W J	1	M1
	R961	RK73HB1J104J	MG RESISTOR	100kΩ 1/16W J	1	M1
	R962	RK73HB1J104J	MG RESISTOR	100kΩ 1/16W J	1	M1
	R963	RK73HB1J104J	MG RESISTOR	100kΩ 1/16W J	1	M1
	R964	RK73HB1J104J	MG RESISTOR	100kΩ 1/16W J	1	M1
	R965	RK73HB1J104J	MG RESISTOR	100kΩ 1/16W J	1	M1
	R966	RK73HB1J104J	MG RESISTOR	100kΩ 1/16W J	1	M1
	CN1	QGF0534F7-22X	FFC/FPC CONNE	FFC/FPC (1-22)	1	M1,K0
	CN101	QGA2001C1-05	W TO B CONNE	W-B (1-5)	1	M1
	CN502	QGA2501C1-02	W TO B CONNE	W-B (1-2)	1	K0

MODEL	MARK	MODEL	MARK	MODEL	MARK
DDX6015BT	M1	DDX6015BTR	Q1	DDX672BH	K0

Safe	Symbol No.	Parts No.	Parts Name	Description	QTY	Local
	J401	QND0162-001	DIN CONNECTOR		1	M1
	J701	QNZ0907-001	CIR CONNECTOR		1	K0
	J761	QNS0307-001	3.5 JACK		1	M1
	VA101	NAF0044-270X	VARIATOR(ZNR)		1	M1
	VA102	NAF0044-270X	VARIATOR(ZNR)		1	M1
	VA112	NAF0045-180X	VARIATOR(ZNR)		1	M1
	VA113	NAF0045-180X	VARIATOR(ZNR)		1	M1
	VA114	NAF0045-180X	VARIATOR(ZNR)		1	M1
	VA401	NAF0045-180X	VARIATOR(ZNR)		1	M1,K0
	VA412	NAF0045-180X	VARIATOR(ZNR)		1	M1,K0
	VA413	NAF0045-180X	VARIATOR(ZNR)		1	M1,K0
	VA414	NAF0045-180X	VARIATOR(ZNR)		1	M1,K0
	VA421	NAF0044-270X	VARIATOR(ZNR)		1	M1
	VA422	NAF0044-270X	VARIATOR(ZNR)		1	M1
	VA423	NAF0044-270X	VARIATOR(ZNR)		1	M1
	VA424	NAF0044-270X	VARIATOR(ZNR)		1	M1
	VA711	NAF0044-270X	VARIATOR(ZNR)		1	M1,K0
	VA712	NAF0044-270X	VARIATOR(ZNR)		1	M1,K0
	VA761	NAF0045-180X	VARIATOR(ZNR)		1	M1
	VA762	NAF0045-180X	VARIATOR(ZNR)		1	M1
	VA771	NAF0045-180X	VARIATOR(ZNR)		1	M1
PANEL-A PWB ASSY (LVA11279-2xA) <05>						
	IC401	MN103SH23	SVMCU IC		1	
	IC404	TC7SZ17FE-X	SV-MOS-IC		1	
	IC405	XC6213B122N-G	MOS IC		1	
	IC431	A3V28S40FTP-G6	IC		1	
	IC441	WZZ-0003-00	PROGRAMMED IC	IC441 IC451 will need to be replaced in pairs.	1	
	IC451	WZZ-0004-00	PROGRAMMED IC	IC441 IC451 will need to be replaced in pairs.	1	
	IC501	NJM2831F92-X	SV-ANALOGUE IC		1	
	IC511	NJM2904V-X	IC		1	
	Q4001	LTC014YEBFS8	DIGI TRANSISTOR		1	
	Q4002	LTC014EEBFS8	DIGI TRANSISTOR		1	M1
	Q4601	LSAR523UBFS8	TRANSISTOR		1	
	Q4611	LSAR523UBFS8	TRANSISTOR		1	
	Q4621	LSAR523UBFS8	TRANSISTOR		1	
	Q4631	LSAR523UBFS8	TRANSISTOR		1	
	Q5201	LTC014EEBFS8	DIGI TRANSISTOR		1	
	Q5202	LSCR523UBFS8	TRANSISTOR		1	
	Q5203	LSCR523UBFS8	TRANSISTOR		1	
	Q5301	LSAR523UBFS8	TRANSISTOR		1	
	Q5302	LSAR523UBFS8	TRANSISTOR		1	
	D4001	DA2J101	DIODE		1	M1
	D5201	DA2J101	DIODE		1	
	D5202	DZ2J180M	ZENER DIODE		1	
	C4001	CC73HCH1H060D	C CAPACITOR	6pF 50V D	1	
	C4002	CC73HCH1H060D	C CAPACITOR	6pF 50V D	1	
	C4010	CK73HBB1A104K	C CAPACITOR	0.1uF 10V K	1	
	C4013	CK73HBB1A104K	C CAPACITOR	0.1uF 10V K	1	
	C4019	CK73HBB1A104K	C CAPACITOR	0.1uF 10V K	1	
	C4020	CK730AU0J105K	C CAPACITOR	1uF 6.3V K	1	
	C4028	CK73HBB1A104K	C CAPACITOR	0.1uF 10V K	1	
	C4038	CK73HBB1A104K	C CAPACITOR	0.1uF 10V K	1	
	C4039	CK730AU0J105K	C CAPACITOR	1uF 6.3V K	1	
	C4049	CK73HBB1A104K	C CAPACITOR	0.1uF 10V K	1	
	C4051	CK73HBB1A104K	C CAPACITOR	0.1uF 10V K	1	
	C4055	CK73HBB1A104K	C CAPACITOR	0.1uF 10V K	1	
	C4056	NCB20JK-106X	C CAPACITOR	10uF 6.3V K	1	
	C4057	NCB20JK-106X	C CAPACITOR	10uF 6.3V K	1	
	C4066	CK73HBB1A104K	C CAPACITOR	0.1uF 10V K	1	
	C4067	CK730AU0J105K	C CAPACITOR	1uF 6.3V K	1	
	C4069	CK73HBB1A104K	C CAPACITOR	0.1uF 10V K	1	
	C4074	CK73HBB1A104K	C CAPACITOR	0.1uF 10V K	1	
	C4075	CK730AU0J105K	C CAPACITOR	1uF 6.3V K	1	
	C4085	CK73HBB1A104K	C CAPACITOR	0.1uF 10V K	1	
	C4094	CK73HBB1C103K	C CAPACITOR	0.01uF 16V K	1	
	C4095	CK73HBB1A104K	C CAPACITOR	0.1uF 10V K	1	
	C4097	CK73HBB1A104K	C CAPACITOR	0.1uF 10V K	1	
	C4103	CK73HBB1A104K	C CAPACITOR	0.1uF 10V K	1	
	C4106	CK73HBB1A104K	C CAPACITOR	0.1uF 10V K	1	
	C4107	CK73HBB1A104K	C CAPACITOR	0.1uF 10V K	1	
	C4120	CK73HBB1A104K	C CAPACITOR	0.1uF 10V K	1	
	C4121	CK73HBB1A104K	C CAPACITOR	0.1uF 10V K	1	
	C4122	CK73HBB1A104K	C CAPACITOR	0.1uF 10V K	1	
	C4129	CC73GCH1H151J	C CAPACITOR	150pF 50V J	1	
	C4135	CK73HBB1A104K	C CAPACITOR	0.1uF 10V K	1	
	C4145	CK73HBB1A104K	C CAPACITOR	0.1uF 10V K	1	
	C4154	CK73HBB1H102K	C CAPACITOR	1000pF 50V K	1	
	C4155	CK73HBB1H102K	C CAPACITOR	1000pF 50V K	1	
	C4157	CK73HBB1A104K	C CAPACITOR	0.1uF 10V K	1	
	C4159	CC73HCH1H101J	C CAPACITOR	100pF 50V J	1	M1
	C4160	CC73HCH1H330J	C CAPACITOR	33pF 50V J	1	
	C4161	CC73HCH1H560J	C CAPACITOR	56pF 50V J	1	M1
	C4163	CK73HBB1A104K	C CAPACITOR	0.1uF 10V K	1	
	C4164	CK73HBB1A104K	C CAPACITOR	0.1uF 10V K	1	
	C4165	CK73HBB1A104K	C CAPACITOR	0.1uF 10V K	1	
	C4166	CK73HBB1A104K	C CAPACITOR	0.1uF 10V K	1	
	C4168	CK730BW0J226M	C CAPACITOR	22uF 6.3V M	1	
	C4169	CK73HBB1A104K	C CAPACITOR	0.1uF 10V K	1	
	C4171	CK73HBB1A104K	C CAPACITOR	0.1uF 10V K	1	
	C4172	CK73HBB1A104K	C CAPACITOR	0.1uF 10V K	1	
	C4173	CK73HBB1A104K	C CAPACITOR	0.1uF 10V K	1	
	C4176	CK73HBB1A104K	C CAPACITOR	0.1uF 10V K	1	

MODEL	MARK	MODEL	MARK	MODEL	MARK
DDX6015BT	M1	DDX6015BTR	Q1	DDX672BH	K0

Safe	Symbol No.	Parts No.	Parts Name	Description	QTY	Local
	C4177	CK73HBB1A104K	C CAPACITOR	0.1uF 10V K	1	
	C4178	CK73HBB1A104K	C CAPACITOR	0.1uF 10V K	1	
	C4182	CK73HBB1A104K	C CAPACITOR	0.1uF 10V K	1	
	C4183	CK730AU0J105K	C CAPACITOR	1uF 6.3V K	1	
	C4190	CK73HBB1A104K	C CAPACITOR	0.1uF 10V K	1	
	C4196	CK73HBB1A104K	C CAPACITOR	0.1uF 10V K	1	
	C4201	CK73HBB1A104K	C CAPACITOR	0.1uF 10V K	1	
	C4210	CK73HBB1A104K	C CAPACITOR	0.1uF 10V K	1	
	C4217	NCB20JK-475X	C CAPACITOR	4.7uF 6.3V K	1	
	C4218	CK73HBB1A104K	C CAPACITOR	0.1uF 10V K	1	
	C4301	CK73HBB1A104K	C CAPACITOR	0.1uF 10V K	1	
	C4303	CK73HBB1A104K	C CAPACITOR	0.1uF 10V K	1	
	C4309	CK73HBB1A104K	C CAPACITOR	0.1uF 10V K	1	
	C4314	CK73HBB1A104K	C CAPACITOR	0.1uF 10V K	1	
	C4327	NCB20JK-106X	C CAPACITOR	10uF 6.3V K	1	
	C4343	CK73HBB1A104K	C CAPACITOR	0.1uF 10V K	1	
	C4349	CK73HBB1A104K	C CAPACITOR	0.1uF 10V K	1	
	C4354	NCB20JK-106X	C CAPACITOR	10uF 6.3V K	1	
	C4408	CK73HBB1A104K	C CAPACITOR	0.1uF 10V K	1	
	C4409	NCB20JK-106X	C CAPACITOR	10uF 6.3V K	1	
	C4508	CK73HBB1A104K	C CAPACITOR	0.1uF 10V K	1	
	C4601	CK73HBB1A104K	C CAPACITOR	0.1uF 10V K	1	
	C4602	CC73HCH1H680J	C CAPACITOR	68pF 50V J	1	
	C4604	CC73HCH1H180J	C CAPACITOR	18pF 50V J	1	
	C4605	NCB20JK-106X	C CAPACITOR	10uF 6.3V K	1	
	C4614	CC73HCH1H560J	C CAPACITOR	56pF 50V J	1	
	C4615	CK730AU0J105K	C CAPACITOR	1uF 6.3V K	1	
	C4616	CK730AU0J105K	C CAPACITOR	1uF 6.3V K	1	
	C4624	CC73HCH1H560J	C CAPACITOR	56pF 50V J	1	
	C4625	CK730AU0J105K	C CAPACITOR	1uF 6.3V K	1	
	C4626	CK730AU0J105K	C CAPACITOR	1uF 6.3V K	1	
	C4634	CC73HCH1H560J	C CAPACITOR	56pF 50V J	1	
	C4635	CK730AU0J105K	C CAPACITOR	1uF 6.3V K	1	
	C4636	CK730AU0J105K	C CAPACITOR	1uF 6.3V K	1	
	C5001	NCB31HK-104X	C CAPACITOR	0.1uF 50V K	1	
	C5002	CK73HBB1C104K	C CAPACITOR	0.1uF 16V K	1	
	C5003	NCB20JK-106X	C CAPACITOR	10uF 6.3V K	1	
	C5004	CK730BW1C106K	C CAPACITOR	10uF 16V K	1	
	C5005	CK730AU0J105K	C CAPACITOR	1uF 6.3V K	1	
	C5010	NCB31CK-105X	C CAPACITOR	1uF 16V K	1	
	C5011	NCB31HK-104X	C CAPACITOR	0.1uF 50V K	1	
	C5103	CK73HBB1C104K	C CAPACITOR	0.1uF 16V K	1	
	C5201	NCB31HK-104X	C CAPACITOR	0.1uF 50V K	1	
	C5202	NCB21EK-105X	C CAPACITOR	1uF 25V K	1	
	C5203	NCB31HK-104X	C CAPACITOR	0.1uF 50V K	1	
	C5301	CK73HBB1C104K	C CAPACITOR	0.1uF 16V K	1	
	C5302	CK73HBB1A104K	C CAPACITOR	0.1uF 10V K	1	
	R4001	RK73HB1J681J	MG RESISTOR	680Ω 1/16W J	1	
	R4002	RK73HB1J105J	MG RESISTOR	1MΩ 1/16W J	1	
	R4030	RK73HB1J680J	MG RESISTOR	68Ω 1/16W J	1	
	R4053	RK73HB1J680J	MG RESISTOR	68Ω 1/16W J	1	
	R4054	RK73HB1J680J	MG RESISTOR	68Ω 1/16W J	1	
	R4058	RK73HB1J103J	MG RESISTOR	10kΩ 1/16W J	1	
	R4060	RK73HB1J101J	MG RESISTOR	100Ω 1/16W J	1	
	R4062	RK73HB1J102J	MG RESISTOR	1kΩ 1/16W J	1	
	R4063	RK73HB1J102J	MG RESISTOR	1kΩ 1/16W J	1	
	R4064	RK73HB1J101J	MG RESISTOR	100Ω 1/16W J	1	
	R4065	RK73HB1J102J	MG RESISTOR	1kΩ 1/16W J	1	
	R4066	RK73HB1J101J	MG RESISTOR	100Ω 1/16W J	1	
	R4067	RK73HB1J101J	MG RESISTOR	100Ω 1/16W J	1	
	R4068	RK73HB1J000J	MG RESISTOR	0Ω 1/16W J	1	
	R4069	RK73HB1J101J	MG RESISTOR	100Ω 1/16W J	1	
	R4070	RK73HB1J101J	MG RESISTOR	100Ω 1/16W J	1	
	R4077	RK73HB1J101J	MG RESISTOR	100Ω 1/16W J	1	
	R4078	RK73HB1J680J	MG RESISTOR	68Ω 1/16W J	1	
	R4079	RK73HB1J680J	MG RESISTOR	68Ω 1/16W J	1	
	R4083	RK73HB1J680J	MG RESISTOR	68Ω 1/16W J	1	
	R4087	RK73HB1J680J	MG RESISTOR	68Ω 1/16W J	1	
	R4091	RK73HB1J680J	MG RESISTOR	68Ω 1/16W J	1	
	R4127	RK73HB1J101J	MG RESISTOR	100Ω 1/16W J	1	
	R4128	RK73HB1J101J	MG RESISTOR	100Ω 1/16W J	1	
△	R4129	RK73HB1J470J	MG RESISTOR	47Ω 1/16W J	1	
	R4130	RK73HB1J102J	MG RESISTOR	1kΩ 1/16W J	1	
	R4131	RK73HB1J101J	MG RESISTOR	100Ω 1/16W J	1	
	R4132	RK73HB1J220J	MG RESISTOR	22Ω 1/16W J	1	
	R4133	RK73HB1J470J	MG RESISTOR	47Ω 1/16W J	1	
	R4136	RK73HB1J470J	MG RESISTOR	47Ω 1/16W J	1	
	R4137	RK73HB1J101J	MG RESISTOR	100Ω 1/16W J	1	
	R4138	RK73HB1J330J	MG RESISTOR	33Ω 1/16W J	1	
	R4146	RK73HB1J472J	MG RESISTOR	4.7kΩ 1/16W J	1	
	R4157	RK73HB1J000J	MG RESISTOR	0Ω 1/16W J	1	
	R4161	RK73HB1J101J	MG RESISTOR	100Ω 1/16W J	1	
	R4164	RK73HH1J103D	MG RESISTOR	10kΩ 1/16W D	1	
	R4166	RK73HB1J2R2J	MG RESISTOR	2.2Ω 1/16W J	1	
	R4167	RK73HB1J000J	MG RESISTOR	0Ω 1/16W J	1	
	R4402	RK73HB1J680J	MG RESISTOR	68Ω 1/16W J	1	
	R4501	RK73HB1J000J	MG RESISTOR	0Ω 1/16W J	1	
	R4502	RK73HB1J680J	MG RESISTOR	68Ω 1/16W J	1	
	R4503	RK73HB1J000J	MG RESISTOR	0Ω 1/16W J	1	
	R4516	RK73HB1J000J	MG RESISTOR	0Ω 1/16W J	1	
	R4517	RK73HB1J000J	MG RESISTOR	0Ω 1/16W J	1	
	R4601	RK73HB1J391J	MG RESISTOR	390Ω 1/16W J	1	
	R4606	RK73HB1J152J	MG RESISTOR	1.5kΩ 1/16W J	1	
	R4608	RK73HB1J471J	MG RESISTOR	470Ω 1/16W J	1	

MODEL	MARK	MODEL	MARK	MODEL	MARK
DDX6015BT	M1	DDX6015BTR	Q1	DDX672BH	K0

Safe	Symbol No.	Parts No.	Parts Name	Description	QTY	Local
	R4611	RK73HB1J470J	MG RESISTOR	47Ω 1/16W J	1	
	R4613	RK73HB1J103J	MG RESISTOR	10kΩ 1/16W J	1	
	R4614	RK73HB1J103J	MG RESISTOR	10kΩ 1/16W J	1	
	R4615	RK73HB1J151J	MG RESISTOR	150Ω 1/16W J	1	
	R4618	RK73HB1J471J	MG RESISTOR	470Ω 1/16W J	1	
	R4621	RK73HB1J470J	MG RESISTOR	47Ω 1/16W J	1	
	R4623	RK73HB1J103J	MG RESISTOR	10kΩ 1/16W J	1	
	R4624	RK73HB1J103J	MG RESISTOR	10kΩ 1/16W J	1	
	R4625	RK73HB1J151J	MG RESISTOR	150Ω 1/16W J	1	
	R4628	RK73HB1J471J	MG RESISTOR	470Ω 1/16W J	1	
	R4631	RK73HB1J470J	MG RESISTOR	47Ω 1/16W J	1	
	R4633	RK73HB1J103J	MG RESISTOR	10kΩ 1/16W J	1	
	R4634	RK73HB1J103J	MG RESISTOR	10kΩ 1/16W J	1	
	R4635	RK73HB1J151J	MG RESISTOR	150Ω 1/16W J	1	
	R4638	RK73HB1J471J	MG RESISTOR	470Ω 1/16W J	1	
	R4640	RK73HB1J4R7J	MG RESISTOR	4.7Ω 1/16W J	1	
	R5001	RK73HH1J101D	MG RESISTOR	100Ω 1/16W D	1	
	R5002	RK73HH1J161D	MG RESISTOR	160Ω 1/16W D	1	
	R5003	RK73HH1J430D	MG RESISTOR	43Ω 1/16W D	1	
	R5004	RK73HH1J360D	MG RESISTOR	36Ω 1/16W D	1	
	R5005	RK73HH1J101D	MG RESISTOR	100Ω 1/16W D	1	
	R5006	RK73HH1J161D	MG RESISTOR	160Ω 1/16W D	1	
	R5007	RK73HH1J101D	MG RESISTOR	100Ω 1/16W D	1	
	R5008	RK73HH1J360D	MG RESISTOR	36Ω 1/16W D	1	
	R5009	RK73HH1J430D	MG RESISTOR	43Ω 1/16W D	1	
	R5010	RK73HH1J161D	MG RESISTOR	160Ω 1/16W D	1	
	R5011	RK73HH1J620D	MG RESISTOR	62Ω 1/16W D	1	
	R5020	RK73HB1J101J	MG RESISTOR	100Ω 1/16W J	1	
	R5106	RK73HH1J512D	MG RESISTOR	5.1kΩ 1/16W D	1	
	R5107	RK73HH1J302D	MG RESISTOR	3kΩ 1/16W D	1	
	R5109	RK73HB1J105J	MG RESISTOR	1MΩ 1/16W J	1	
	R5201	RK73HB1J473J	MG RESISTOR	47kΩ 1/16W J	1	
	R5203	RK73HB1J183J	MG RESISTOR	18kΩ 1/16W J	1	
	R5204	RK73HB1J183J	MG RESISTOR	18kΩ 1/16W J	1	
	R5205	RK73HB1J471J	MG RESISTOR	470Ω 1/16W J	1	
	R5302	RK73HB1J103J	MG RESISTOR	10kΩ 1/16W J	1	
	R5303	RK73HH1J103D	MG RESISTOR	10kΩ 1/16W D	1	
	R5304	RK73HH1J562D	MG RESISTOR	5.6kΩ 1/16W D	1	
	RA401	RK74HB1J680J	NET RESISTOR	68Ω 1/16W J	1	
	RA402	RK74HB1J680J	NET RESISTOR	68Ω 1/16W J	1	
	RA403	RK74HB1J680J	NET RESISTOR	68Ω 1/16W J	1	
	RA404	RK74HB1J680J	NET RESISTOR	68Ω 1/16W J	1	
	RA405	RK74HB1J680J	NET RESISTOR	68Ω 1/16W J	1	
	RA406	RK74HB1J680J	NET RESISTOR	68Ω 1/16W J	1	
	RA407	RK74HB1J680J	NET RESISTOR	68Ω 1/16W J	1	
	RA408	RK74HB1J680J	NET RESISTOR	68Ω 1/16W J	1	
	RA409	RK74HB1J680J	NET RESISTOR	68Ω 1/16W J	1	
	RA415	RK74HB1J101J	NET RESISTOR	100Ω 1/16W J	1	
	RA416	RK74HB1J101J	NET RESISTOR	100Ω 1/16W J	1	
	RA417	RK74HB1J101J	NET RESISTOR	100Ω 1/16W J	1	
	RA418	RK74HB1J101J	NET RESISTOR	100Ω 1/16W J	1	
	RA419	RK74HB1J101J	NET RESISTOR	100Ω 1/16W J	1	
	RA420	RK74HB1J330J	NET RESISTOR	33Ω 1/16W J	1	
	L4001	LR73Z0AD470M	CHIP INDUCTOR	47uH	1	
	L4601	NQLD8DJ-470X	INDUCTOR	47uH J	1	
	CN401	QGF0534F7-30X	FFC/FPC CONNE	FFC/FPC (1-30)	1	
	CN501	QGF0572F1-60X	FFC/FPC CONNE	FFC/FPC (1-60)	1	
	X4001	NAX1038-001X	CRYSTAL		1	
PANEL-B PWB ASSY (LVA11272-07A) <06>						
△	IC351	CPI-210/BC/-X	PHOTO COUPLER		1	
	Q3501	2SC1623/5-6/-X	TRANSISTOR		1	
	Q6010	2SA1577/QR/	TRANSISTOR		1	
	Q6011	LTC014YEBFS8	DIGI TRANSISTOR		1	
	Q6041	LSCR523UBFS8	TRANSISTOR		1	
	Q6042	LSCR523UBFS8	TRANSISTOR		1	
	Q6043	LSCR523UBFS8	TRANSISTOR		1	
	Q6044	LSCR523UBFS8	TRANSISTOR		1	
	Q6045	LSCR523UBFS8	TRANSISTOR		1	
	Q6046	LSCR523UBFS8	TRANSISTOR		1	
	Q6047	LSCR523UBFS8	TRANSISTOR		1	
	Q6048	LSCR523UBFS8	TRANSISTOR		1	
	Q6201	LSCR523UBFS8	TRANSISTOR		1	
	Q6202	LSCR523UBFS8	TRANSISTOR		1	
	Q6203	LSCR523UBFS8	TRANSISTOR		1	
	Q6301	LSCR523UBFS8	TRANSISTOR		1	
	Q6303	LSCR523UBFS8	TRANSISTOR		1	
	Q6305	LSCR523UBFS8	TRANSISTOR		1	
	D6010	DA2J101	DIODE		1	
	D6101	DZ2J062M	ZENER DIODE		1	
	D6102	DZ2J062M	ZENER DIODE		1	
	D6103	DZ2J062M	ZENER DIODE		1	
	D6104	DZ2J062M	ZENER DIODE		1	
	C6015	NCB20JK-106X	C CAPACITOR	10uF 6.3V K	1	
	C6101	CC73GCH1H101J	C CAPACITOR	100pF 50V J	1	
	C6102	CC73GCH1H101J	C CAPACITOR	100pF 50V J	1	
	C6103	CC73GCH1H101J	C CAPACITOR	100pF 50V J	1	
	C6104	CC73GCH1H101J	C CAPACITOR	100pF 50V J	1	
	C6320	NCB20JK-106X	C CAPACITOR	10uF 6.3V K	1	
	R3501	RK73GB2A751J	MG RESISTOR	750Ω 1/10W J	1	
	R3503	RK73HB1J393J	MG RESISTOR	39kΩ 1/16W J	1	
	R3504	RK73HB1J333J	MG RESISTOR	33kΩ 1/16W J	1	
	R3505	RK73HB1J333J	MG RESISTOR	33kΩ 1/16W J	1	
	R3507	RK73HB1J682J	MG RESISTOR	6.8kΩ 1/16W J	1	
	R3508	RK73HB1J222J	MG RESISTOR	2.2kΩ 1/16W J	1	

MODEL	MARK	MODEL	MARK	MODEL	MARK
DDX6015BT	M1	DDX6015BTR	Q1	DDX672BH	K0

Safe	Symbol No.	Parts No.	Parts Name	Description	QTY	Local
	R3509	RK73HB1J102J	MG RESISTOR	1kΩ 1/16W J	1	
	R3510	RK73HB1J151J	MG RESISTOR	150Ω 1/16W J	1	
	R6005	RK73HB1J681J	MG RESISTOR	680Ω 1/16W J	1	
	R6010	RK73HB1J473J	MG RESISTOR	47kΩ 1/16W J	1	
	R6011	RK73HB1J153J	MG RESISTOR	15kΩ 1/16W J	1	
	R6012	RK73HB1J153J	MG RESISTOR	15kΩ 1/16W J	1	
	R6013	RK73HB1J000J	MG RESISTOR	0Ω 1/16W J	1	
	R6017	RK73HB1J000J	MG RESISTOR	0Ω 1/16W J	1	
	R6018	RK73HB1J000J	MG RESISTOR	0Ω 1/16W J	1	
	R6021	RK73PB2H5R1J	MG RESISTOR	5.1Ω 1/2W J	1	
	R6022	RK73PB2H5R1J	MG RESISTOR	5.1Ω 1/2W J	1	
	R6023	RK73PB2H5R1J	MG RESISTOR	5.1Ω 1/2W J	1	
	R6024	RK73PB2H5R1J	MG RESISTOR	5.1Ω 1/2W J	1	
	R6025	RK73PB2H5R1J	MG RESISTOR	5.1Ω 1/2W J	1	
	R6026	RK73PB2H5R1J	MG RESISTOR	5.1Ω 1/2W J	1	
	R6027	RK73PB2H5R1J	MG RESISTOR	5.1Ω 1/2W J	1	
	R6028	RK73PB2H5R1J	MG RESISTOR	5.1Ω 1/2W J	1	
	R6041	RK73HB1J000J	MG RESISTOR	0Ω 1/16W J	1	
	R6042	RK73HH1J151D	MG RESISTOR	150Ω 1/16W D	1	
	R6043	RK73HH1J151D	MG RESISTOR	150Ω 1/16W D	1	
	R6044	RK73HH1J151D	MG RESISTOR	150Ω 1/16W D	1	
	R6045	RK73HH1J151D	MG RESISTOR	150Ω 1/16W D	1	
	R6046	RK73HH1J151D	MG RESISTOR	150Ω 1/16W D	1	
	R6047	RK73HH1J151D	MG RESISTOR	150Ω 1/16W D	1	
	R6048	RK73HH1J151D	MG RESISTOR	150Ω 1/16W D	1	
	R6049	RK73HH1J151D	MG RESISTOR	150Ω 1/16W D	1	
	R6201	RK73HH1J151D	MG RESISTOR	150Ω 1/16W D	1	
	R6202	RK73HH1J151D	MG RESISTOR	150Ω 1/16W D	1	
	R6203	RK73HH1J151D	MG RESISTOR	150Ω 1/16W D	1	
	R6209	RK73HB1J121J	MG RESISTOR	120Ω 1/16W J	1	
	R6302	RK73HH1J301D	MG RESISTOR	300Ω 1/16W D	1	
	R6304	RK73HH1J301D	MG RESISTOR	300Ω 1/16W D	1	
	R6306	RK73HH1J301D	MG RESISTOR	300Ω 1/16W D	1	
	R6307	RK73HB1J473J	MG RESISTOR	47kΩ 1/16W J	1	
	R6308	RK73HB1J473J	MG RESISTOR	47kΩ 1/16W J	1	
	R6309	RK73HB1J473J	MG RESISTOR	47kΩ 1/16W J	1	
	R6310	RK73HB1J000J	MG RESISTOR	0Ω 1/16W J	1	
	R6311	RK73HB1J000J	MG RESISTOR	0Ω 1/16W J	1	
	R6312	RK73HB1J000J	MG RESISTOR	0Ω 1/16W J	1	
	R6320	RK73HB1J470J	MG RESISTOR	47Ω 1/16W J	1	
	RA601	RK74HB1J102J	NET RESISTOR	1kΩ 1/16W J	1	
	RA602	RK74HB1J102J	NET RESISTOR	1kΩ 1/16W J	1	
	RA603	RK74HB1J102J	NET RESISTOR	1kΩ 1/16W J	1	
	RA604	RK74HB1J102J	NET RESISTOR	1kΩ 1/16W J	1	
	L6001	LR73Z0AD470M	CHIP INDUCTOR	47uH	1	
	CN351	QGF0534F7-08X	FFC/FPC CONNE	FFC/FPC (1-8)	1	
	CN352	QGA1002F1-02X	W TO B CONNE	W-B (1-2)	1	
	CN601	QGF0523F6-45W	FFC/FPC CONNE	FFC/FPC (1-45)	1	
	CN602	QGF0534F7-30X	FFC/FPC CONNE	FFC/FPC (1-30)	1	
	CN603	QGF1039F5-04X	FFC/FPC CONNE	FFC/FPC (1-4)	1	
	CN605	QGF0534F7-13X	FFC/FPC CONNE	FFC/FPC (1-13)	1	
	CN608	QGA1002F1-02X	W TO B CONNE	W-B (1-2)	1	
	S3501	NSW0225-001X	DETECT SWITCH		1	
	S3502	NSW0126-001X	DETECT SWITCH		1	
HD TUNER PWB ASSY (XJM-0120-12) <07>						
	IC1	SI4763-A42-GM	MOS IC		1	K0
	IC2	SI4613-A10-GM	MOS IC		1	K0
	IC3	W3F-0022-00	ROM IC		1	K0
	IC4	XC6213B182N-G	MOS IC		1	K0
	C2	CC73HCH1H101J	C CAPACITOR	100pF 50V J	1	K0
	C3	CK73HBB1H222K	C CAPACITOR	2200pF 50V K	1	K0
	C4	CK73HBB1H222K	C CAPACITOR	2200pF 50V K	1	K0
	C5	CK73HBB1H222K	C CAPACITOR	2200pF 50V K	1	K0
	C6	CK73FXR1C106K	C CAPACITOR	10uF 16V K	1	K0
	C7	CK73GBB1H222K	C CAPACITOR	2200pF 50V K	1	K0
	C8	CK73GBB1H102K	C CAPACITOR	1000pF 50V K	1	K0
	C9	CC73GCH1H390J	C CAPACITOR	39pF 50V J	1	K0
	C10	CC73GCH1H270J	C CAPACITOR	27pF 50V J	1	K0
△	C15	CC73GCH1H010C	C CAPACITOR	1pF 50V C	1	K0
	C16	CC73GCH1H050C	C CAPACITOR	5pF 50V C	1	K0
	C18	CK73GBB1C104K	C CAPACITOR	0.1uF 16V K	1	K0
	C19	CK73GBB1H103K	C CAPACITOR	0.01uF 50V K	1	K0
	C20	CK73FXR1C106K	C CAPACITOR	10uF 16V K	1	K0
	C21	CK73GBB1C104K	C CAPACITOR	0.1uF 16V K	1	K0
	C22	CK73GBB1H102K	C CAPACITOR	1000pF 50V K	1	K0
	C25	CK73GBB1H682K	C CAPACITOR	6800pF 50V K	1	K0
	C26	CK73GBB1H682K	C CAPACITOR	6800pF 50V K	1	K0
	C27	CK73GXR1C105K	C CAPACITOR	1uF 16V K	1	K0
	C28	CK73GXR1C105K	C CAPACITOR	1uF 16V K	1	K0
	C29	CC73HCH1H060D	C CAPACITOR	6pF 50V D	1	K0
	C30	CC73HCH1H060D	C CAPACITOR	6pF 50V D	1	K0
	C32	CK73GXR1C105K	C CAPACITOR	1uF 16V K	1	K0
	C33	CK73GXR1C105K	C CAPACITOR	1uF 16V K	1	K0
	C101	CC73GCH1H220J	C CAPACITOR	22pF 50V J	1	K0
	C102	CC73GCH1H220J	C CAPACITOR	22pF 50V J	1	K0
	C103	CC73GCH1H220J	C CAPACITOR	22pF 50V J	1	K0
	C120	CC73GCH1H020C	C CAPACITOR	2pF 50V C	1	K0
	C121	CK73HBB1C104K	C CAPACITOR	0.1uF 16V K	1	K0
	C122	CK73GBB1H102K	C CAPACITOR	1000pF 50V K	1	K0
	C123	CC73HCH1H180J	C CAPACITOR	18pF 50V J	1	K0
	C124	CC73HCH1H180J	C CAPACITOR	18pF 50V J	1	K0
	C125	CC73HCH1H180J	C CAPACITOR	18pF 50V J	1	K0

MODEL	MARK	MODEL	MARK	MODEL	MARK
DDX6015BT	M1	DDX6015BTR	Q1	DDX672BH	K0

Safe	Symbol No.	Parts No.	Parts Name	Description	QTY	Local
	C127	CK73GBB1C104K	C CAPACITOR	0.1uF 16V K	1	K0
	C128	CC73GCH1H020C	C CAPACITOR	2pF 50V C	1	K0
	C129	CK73HBB1H222K	C CAPACITOR	2200pF 50V K	1	K0
	C131	CC73HCH1H180J	C CAPACITOR	18pF 50V J	1	K0
	C143	CK73HBB1H222K	C CAPACITOR	2200pF 50V K	1	K0
	C144	CK73HBB1H222K	C CAPACITOR	2200pF 50V K	1	K0
	C146	CK73HBB1H222K	C CAPACITOR	2200pF 50V K	1	K0
	R1	RK73GB2A000J	MG RESISTOR	0Ω 1/10W J	1	K0
	R3	RK73GB2A240J	MG RESISTOR	24Ω 1/10W J	1	K0
	R4	RK73GB2A474J	MG RESISTOR	470kΩ 1/10W J	1	K0
	R5	RK73GB2A474J	MG RESISTOR	470kΩ 1/10W J	1	K0
	R10	RK73HB1J222J	MG RESISTOR	2.2kΩ 1/16W J	1	K0
	R11	RK73HB1J222J	MG RESISTOR	2.2kΩ 1/16W J	1	K0
	R12	RK73HB1J103J	MG RESISTOR	10kΩ 1/16W J	1	K0
	R14	RK73GB2A471J	MG RESISTOR	470Ω 1/10W J	1	K0
	R16	RK73HB1J470J	MG RESISTOR	47Ω 1/16W J	1	K0
	R17	RK73HB1J470J	MG RESISTOR	47Ω 1/16W J	1	K0
	R18	RK73HB1J470J	MG RESISTOR	47Ω 1/16W J	1	K0
	R20	RK73GB2A000J	MG RESISTOR	0Ω 1/10W J	1	K0
	R26	RK73HB1J000J	MG RESISTOR	0Ω 1/16W J	1	K0
	R29	RK73GB2A000J	MG RESISTOR	0Ω 1/10W J	1	K0
	R30	RK73GB2A000J	MG RESISTOR	0Ω 1/10W J	1	K0
	R31	RK73GB2A000J	MG RESISTOR	0Ω 1/10W J	1	K0
	R39	RK73GB2A102J	MG RESISTOR	1kΩ 1/10W J	1	K0
	R40	RK73GB2A000J	MG RESISTOR	0Ω 1/10W J	1	K0
	R41	RK73GB2A000J	MG RESISTOR	0Ω 1/10W J	1	K0
	R42	RK73GB2A000J	MG RESISTOR	0Ω 1/10W J	1	K0
	R43	RK73GB2A000J	MG RESISTOR	0Ω 1/10W J	1	K0
	R44	RK73GB2A000J	MG RESISTOR	0Ω 1/10W J	1	K0
	R51	RK73HB1J000J	MG RESISTOR	0Ω 1/16W J	1	K0
	R52	RK73HB1J000J	MG RESISTOR	0Ω 1/16W J	1	K0
	R53	RK73HB1J000J	MG RESISTOR	0Ω 1/16W J	1	K0
	R54	RK73HB1J000J	MG RESISTOR	0Ω 1/16W J	1	K0
	R103	RK73GB2A000J	MG RESISTOR	0Ω 1/10W J	1	K0
	R104	RK73GB2A000J	MG RESISTOR	0Ω 1/10W J	1	K0
	R105	RK73GB2A000J	MG RESISTOR	0Ω 1/10W J	1	K0
	R107	RK73HB1J000J	MG RESISTOR	0Ω 1/16W J	1	K0
	R108	RK73HB1J000J	MG RESISTOR	0Ω 1/16W J	1	K0
	R109	RK73GB2A000J	MG RESISTOR	0Ω 1/10W J	1	K0
	R110	RK73GB2A000J	MG RESISTOR	0Ω 1/10W J	1	K0
	R111	RK73GB2A000J	MG RESISTOR	0Ω 1/10W J	1	K0
	R112	RK73GB2A000J	MG RESISTOR	0Ω 1/10W J	1	K0
	R114	RK73HB1J470J	MG RESISTOR	47Ω 1/16W J	1	K0
	R115	RK73GB2A223J	MG RESISTOR	22kΩ 1/10W J	1	K0
	R116	RK73GB2A223J	MG RESISTOR	22kΩ 1/10W J	1	K0
	R121	RK73GB2A470J	MG RESISTOR	47Ω 1/10W J	1	K0
	R122	RK73GB2A470J	MG RESISTOR	47Ω 1/10W J	1	K0
	R123	RK73GB2A470J	MG RESISTOR	47Ω 1/10W J	1	K0
	R124	RK73GB2A470J	MG RESISTOR	47Ω 1/10W J	1	K0
	R127	RK73GB2A470J	MG RESISTOR	47Ω 1/10W J	1	K0
	R129	RK73HB1J470J	MG RESISTOR	47Ω 1/16W J	1	K0
	R140	RK73GB2A000J	MG RESISTOR	0Ω 1/10W J	1	K0
	R141	RK73HB1J103J	MG RESISTOR	10kΩ 1/16W J	1	K0
	R142	RK73HB1J103J	MG RESISTOR	10kΩ 1/16W J	1	K0
	R143	RK73HB1J103J	MG RESISTOR	10kΩ 1/16W J	1	K0
	R144	RK73HB1J103J	MG RESISTOR	10kΩ 1/16W J	1	K0
	R145	RK73GB2A102J	MG RESISTOR	1kΩ 1/10W J	1	K0
	R155	RK73GB2A470J	MG RESISTOR	47Ω 1/10W J	1	K0
	R166	RK73GB2A470J	MG RESISTOR	47Ω 1/10W J	1	K0
	L1	LK73G0BER15K	M.CHIP INDUCTOR		1	K0
	L2	LK73G0BE82NK	M.CHIP INDUCTOR		1	K0
	L3	LK73G0BER12K	M.CHIP INDUCTOR		1	K0
	L4	LK73G0BER82K	M.CHIP INDUCTOR		1	K0
	L5	LK73G0BE1R8K	M.CHIP INDUCTOR		1	K0
	L8	LK73G0BER39K	M.CHIP INDUCTOR		1	K0
	L10	L1K-0001-00	BALUN TRANS		1	K0
	L14	LK73G0BE100K	M.CHIP INDUCTOR		1	K0
	L21	NQR0592-004X	FERRITE BEADS		1	K0
	L22	NQR0592-004X	FERRITE BEADS		1	K0
	L101	NQR0713-001X	FERRITE BEADS		1	K0
	CN1	EA110AD-2017B	W TO B CONNE		1	K0
	CN2	EA110AD-2003B	W TO B CONNE		1	K0
	X1	L7J-0021-00	QUARTZ CRYSTAL		1	K0
<b>DVD MECHA PWB ASSY (XJE-0020-00) &lt;08&gt;</b>						
	IC201	AM5820FM	BIPOLAR IC		1	
	IC301	MN2DS0041MD	IC		1	
	IC381	WZZ-0011-20	PROGRAMMED IC		1	
	IC391	M12L128168A6TG	SV-DRAM IC		1	
	IC401	AK4387ET	ANALOG IC		1	
	IC551	MFI337S3959-X	IC		1	
	IC921	BD12KA5FP-X	IC		1	
	Q12	LTC044EEBFS8	DIGI TRANSISTOR		1	
	Q101	2SB1709MG	TRANSISTOR		1	
	Q102	2SB1709MG	TRANSISTOR		1	
	Q103	LTC014EEBFS8	DIGI TRANSISTOR		1	
	Q107	UMX1N-W	PAIR TRANSISTOR		1	
	Q108	SSM6N15AFEM	DUAL FET		1	
	Q302	LTC044EEBFS8	DIGI TRANSISTOR		1	
	Q341	LTC044EEBFS8	DIGI TRANSISTOR		1	
	C101	CK730BS0J105K	C CAPACITOR	1uF 6.3V K	1	
	C102	CK730BY0J476M	C CAPACITOR	47uF 6.3V M	1	
	C103	CK730BY0J476M	C CAPACITOR	47uF 6.3V M	1	

MODEL	MARK	MODEL	MARK	MODEL	MARK
DDX6015BT	M1	DDX6015BTR	Q1	DDX672BH	K0

Safe	Symbol No.	Parts No.	Parts Name	Description	QTY	Local
	C105	CK73HBB1A104K	C CAPACITOR	0.1uF 10V K	1	
	C106	CK73HBB1A104K	C CAPACITOR	0.1uF 10V K	1	
	C107	CK73HBB1A104K	C CAPACITOR	0.1uF 10V K	1	
	C108	CK73HBB1A104K	C CAPACITOR	0.1uF 10V K	1	
	C109	CK73HBB1A104K	C CAPACITOR	0.1uF 10V K	1	
	C110	CK73HBB1A104K	C CAPACITOR	0.1uF 10V K	1	
	C111	CK730BS0J105K	C CAPACITOR	1uF 6.3V K	1	
	C112	CK730BW0J226M	C CAPACITOR	22uF 6.3V M	1	
	C113	CK73HBB1A104K	C CAPACITOR	0.1uF 10V K	1	
	C121	CK73HBB1A104K	C CAPACITOR	0.1uF 10V K	1	
	C122	CK73HBB1C333K	C CAPACITOR	0.033uF 16V K	1	
	C123	CK73HBB1A104K	C CAPACITOR	0.1uF 10V K	1	
	C124	CK73HBB1A104K	C CAPACITOR	0.1uF 10V K	1	
	C133	NCJA1AK-684W-A	C CAPACITOR	0.68uF 10V K	1	
	C134	NCJA1AK-684W-A	C CAPACITOR	0.68uF 10V K	1	
	C135	CK73HBB1A104K	C CAPACITOR	0.1uF 10V K	1	
	C136	CK73HBB1A104K	C CAPACITOR	0.1uF 10V K	1	
	C137	CK73HBB1A104K	C CAPACITOR	0.1uF 10V K	1	
	C138	CK73HBB1A104K	C CAPACITOR	0.1uF 10V K	1	
	C151	CK73HBB1A104K	C CAPACITOR	0.1uF 10V K	1	
	C170	CK73HBB1A104K	C CAPACITOR	0.1uF 10V K	1	
	C201	CK73EXR1C226M	C CAPACITOR	22uF 16V M	1	
	C206	CK730BU0J475K	C CAPACITOR	4.7uF 6.3V K	1	
	C241	CK73GBB1H122K	C CAPACITOR	1200pF 50V K	1	
	C251	CK73GBB1H391K	C CAPACITOR	390pF 50V K	1	
	C253	CK73GBB1H391K	C CAPACITOR	390pF 50V K	1	
	C256	CK730BW0J226M	C CAPACITOR	22uF 6.3V M	1	
	C259	CK73HBB1C104K	C CAPACITOR	0.1uF 16V K	1	
	C291	CK73GBB1H272K	C CAPACITOR	2700pF 50V K	1	
	C294	CK73GBB1H103K	C CAPACITOR	0.01uF 50V K	1	
	C301	CK73HBB1A104K	C CAPACITOR	0.1uF 10V K	1	
	C302	CK73HBB1A104K	C CAPACITOR	0.1uF 10V K	1	
	C303	CK73HBB1A104K	C CAPACITOR	0.1uF 10V K	1	
	C304	CK73HBB1A104K	C CAPACITOR	0.1uF 10V K	1	
	C305	CK73HBB1A104K	C CAPACITOR	0.1uF 10V K	1	
	C306	CK73HBB1A104K	C CAPACITOR	0.1uF 10V K	1	
	C307	CK73HBB1A104K	C CAPACITOR	0.1uF 10V K	1	
	C311	CK73HBB1A104K	C CAPACITOR	0.1uF 10V K	1	
	C314	CK73HBB1H391K	C CAPACITOR	390pF 50V K	1	
	C315	CK73HBB1H561K	C CAPACITOR	560pF 50V K	1	
	C316	CK730BS0J105K	C CAPACITOR	1uF 6.3V K	1	
	C317	CK730BS0J105K	C CAPACITOR	1uF 6.3V K	1	
	C318	CK73HBB1A104K	C CAPACITOR	0.1uF 10V K	1	
	C319	CK73HBB1A104K	C CAPACITOR	0.1uF 10V K	1	
	C320	CK73HBB1A104K	C CAPACITOR	0.1uF 10V K	1	
	C322	CK73HBB1A104K	C CAPACITOR	0.1uF 10V K	1	
	C324	CK73HBB1A104K	C CAPACITOR	0.1uF 10V K	1	
	C325	CK73HBB1A104K	C CAPACITOR	0.1uF 10V K	1	
	C326	CK73HBB1E103K	C CAPACITOR	0.01uF 25V K	1	
	C327	CK73HBB1A104K	C CAPACITOR	0.1uF 10V K	1	
	C329	CK73HBB1A104K	C CAPACITOR	0.1uF 10V K	1	
	C330	CK73HBB1A104K	C CAPACITOR	0.1uF 10V K	1	
	C331	CK73HBB1A104K	C CAPACITOR	0.1uF 10V K	1	
	C332	CK73HBB1A104K	C CAPACITOR	0.1uF 10V K	1	
	C333	CK73HBB1A104K	C CAPACITOR	0.1uF 10V K	1	
	C351	CC73HCH1H120J	C CAPACITOR	12pF 50V J	1	
	C352	CC73HCH1H120J	C CAPACITOR	12pF 50V J	1	
	C382	CK73HBB1A104K	C CAPACITOR	0.1uF 10V K	1	
	C391	CK730AX0J106K	C CAPACITOR	10uF 6.3V K	1	
	C392	CK73HBB1A104K	C CAPACITOR	0.1uF 10V K	1	
	C396	CK73HBB1A104K	C CAPACITOR	0.1uF 10V K	1	
	C398	CK73HBB1A104K	C CAPACITOR	0.1uF 10V K	1	
	C401	CK730BW0J226M	C CAPACITOR	22uF 6.3V M	1	
	C402	CK73HBB1A104K	C CAPACITOR	0.1uF 10V K	1	
	C404	CK730BW0J226M	C CAPACITOR	22uF 6.3V M	1	
	C405	CK73HBB1A104K	C CAPACITOR	0.1uF 10V K	1	
	C406	CK73HBB1H331K	C CAPACITOR	330pF 50V K	1	
	C511	CK73HBB1A104K	C CAPACITOR	0.1uF 10V K	1	
	C911	CK730BY0J476M	C CAPACITOR	47uF 6.3V M	1	
	C912	CK73HBB1A104K	C CAPACITOR	0.1uF 10V K	1	
	C913	CK730AX0J106K	C CAPACITOR	10uF 6.3V K	1	
	C921	CK730BS0J105K	C CAPACITOR	1uF 6.3V K	1	
	C923	CK730BS0J105K	C CAPACITOR	1uF 6.3V K	1	
	R12	RK73HB1J822J	MG RESISTOR	8.2kΩ 1/16W J	1	
	R15	RK73GB2A303J	MG RESISTOR	30kΩ 1/10W J	1	
	R16	RK73GB2A183J	MG RESISTOR	18kΩ 1/10W J	1	
	R17	RK73HB1J473J	MG RESISTOR	47kΩ 1/16W J	1	
	R101	RK73GB2A471J	MG RESISTOR	470Ω 1/10W J	1	
	R102	RK73HB1J471J	MG RESISTOR	470Ω 1/16W J	1	
	R103	RK73GB2A102J	MG RESISTOR	1kΩ 1/10W J	1	
	R104	RK73HB1J2R2J	MG RESISTOR	2.2Ω 1/16W J	1	
	R106	RK73HB1J000J	MG RESISTOR	0Ω 1/16W J	1	
	R107	RK73HB1J000J	MG RESISTOR	0Ω 1/16W J	1	
	R108	RK73GB2A000J	MG RESISTOR	0Ω 1/10W J	1	
	R111	RK73GB2A471J	MG RESISTOR	470Ω 1/10W J	1	
	R112	RK73HB1J471J	MG RESISTOR	470Ω 1/16W J	1	
	R113	RK73GB2A102J	MG RESISTOR	1kΩ 1/10W J	1	
	R114	RK73HB1J2R2J	MG RESISTOR	2.2Ω 1/16W J	1	
	R115	NR20122-180X	MG RESISTOR	18Ω	1	
	R116	RK73HB1J242J	MG RESISTOR	2.4kΩ 1/16W J	1	
	R117	RK73HB1J432J	MG RESISTOR	4.3kΩ 1/16W J	1	
	R122	RK73HB1J000J	MG RESISTOR	0Ω 1/16W J	1	

MODEL	MARK	MODEL	MARK	MODEL	MARK
DDX6015BT	M1	DDX6015BTR	Q1	DDX672BH	K0

Safe	Symbol No.	Parts No.	Parts Name	Description	QTY	Local
	R123	RK73HB1J103J	MG RESISTOR	10kΩ 1/16W J	1	
	R124	RK73HB1J103J	MG RESISTOR	10kΩ 1/16W J	1	
	R138	RK73HB1J000J	MG RESISTOR	0Ω 1/16W J	1	
	R151	RK73HB1J472J	MG RESISTOR	4.7kΩ 1/16W J	1	
	R165	RK73HB1J473J	MG RESISTOR	47kΩ 1/16W J	1	
	R170	RK73HH1J332D	MG RESISTOR	3.3kΩ 1/16W D	1	
	R171	RK73HH1J162D	MG RESISTOR	1.6kΩ 1/16W D	1	
	R182	RK73GB2A000J	MG RESISTOR	0Ω 1/10W J	1	
	R205	RK73GH2A333D	MG RESISTOR	33kΩ 1/10W D	1	
	R206	RK73GB2A133J	MG RESISTOR	13kΩ 1/10W J	1	
	R208	RK73GB2A133J	MG RESISTOR	13kΩ 1/10W J	1	
	R209	RK73GB2A363J	MG RESISTOR	36kΩ 1/10W J	1	
	R212	RK73GB2A123J	MG RESISTOR	12kΩ 1/10W J	1	
	R214	RK73GB2A103J	MG RESISTOR	10kΩ 1/10W J	1	
	R215	RK73GB2A203J	MG RESISTOR	20kΩ 1/10W J	1	
	R216	RK73GB2A104J	MG RESISTOR	100kΩ 1/10W J	1	
	R231	RK73HB1J102J	MG RESISTOR	1kΩ 1/16W J	1	
	R233	RK73HB1J104J	MG RESISTOR	100kΩ 1/16W J	1	
	R241	RK73GB2A163J	MG RESISTOR	16kΩ 1/10W J	1	
	R244	RK73HB1J102J	MG RESISTOR	1kΩ 1/16W J	1	
	R271	RK73HB1J102J	MG RESISTOR	1kΩ 1/16W J	1	
	R302	RK73HB1J101J	MG RESISTOR	100Ω 1/16W J	1	
	R303	RK73HB1J101J	MG RESISTOR	100Ω 1/16W J	1	
	R304	RK73HB1J101J	MG RESISTOR	100Ω 1/16W J	1	
	R306	RK73HB1J331J	MG RESISTOR	330Ω 1/16W J	1	
	R307	RK73HB1J331J	MG RESISTOR	330Ω 1/16W J	1	
	R308	RK73HB1J331J	MG RESISTOR	330Ω 1/16W J	1	
	R309	RK73HB1J000J	MG RESISTOR	0Ω 1/16W J	1	
	R310	RK73HH1J102D	MG RESISTOR	1kΩ 1/16W D	1	
	R311	RK73HB1J223J	MG RESISTOR	22kΩ 1/16W J	1	
	R313	RK73HB1J181J	MG RESISTOR	180Ω 1/16W J	1	
	R314	RK73GB2A203J	MG RESISTOR	20kΩ 1/10W J	1	
	R315	RK73GB2A203J	MG RESISTOR	20kΩ 1/10W J	1	
	R318	RK73HB1J181J	MG RESISTOR	180Ω 1/16W J	1	
	R319	RK73GH2A243D	MG RESISTOR	24kΩ 1/10W D	1	
	R323	RK73HB1J104J	MG RESISTOR	100kΩ 1/16W J	1	
	R327	RK73HB1J270J	MG RESISTOR	27Ω 1/16W J	1	
	R341	RK73HB1J103J	MG RESISTOR	10kΩ 1/16W J	1	
	R351	RK73HB1J105J	MG RESISTOR	1MΩ 1/16W J	1	
	R352	RK73HB1J102J	MG RESISTOR	1kΩ 1/16W J	1	
	R386	RK73HB1J184J	MG RESISTOR	180kΩ 1/16W J	1	
	R401	RK73GB2A100J	MG RESISTOR	10Ω 1/10W J	1	
	R402	RK73HB1J100J	MG RESISTOR	10Ω 1/16W J	1	
	R404	RK73HB1J473J	MG RESISTOR	47kΩ 1/16W J	1	
	R511	RK73HB1J103J	MG RESISTOR	10kΩ 1/16W J	1	
	R512	RK73HB1J103J	MG RESISTOR	10kΩ 1/16W J	1	
	R515	RK73HB1J103J	MG RESISTOR	10kΩ 1/16W J	1	
	R601	RK73GH2A330D	MG RESISTOR	33Ω 1/10W D	1	
	R602	RK73GH2A330D	MG RESISTOR	33Ω 1/10W D	1	
	R611	RK73HB1J153J	MG RESISTOR	15kΩ 1/16W J	1	
	R612	RK73HB1J153J	MG RESISTOR	15kΩ 1/16W J	1	
	R702	RK73HB1J102J	MG RESISTOR	1kΩ 1/16W J	1	
	R911	NR20098-R18X	MG RESISTOR	0.18Ω	1	
	CN101	EC720AA-0524A	FFC FPC CONNE		1	
	CN201	EA720AM-1206A	W TO B CONNE		1	
	CN202	EA720AM-1202A	W TO B CONNE		1	
	CN301	EA720AM-1202A	W TO B CONNE		1	
	CN401	EC720AA-0550A	FFC FPC CONNE		1	
	S1	S6J-0002-00	PUSH SWITCH		1	
	TH491	NAD0055-103X	N THERMISTOR	10kΩ	1	
	X351	NAX1135-001X	CRYSTAL		1	