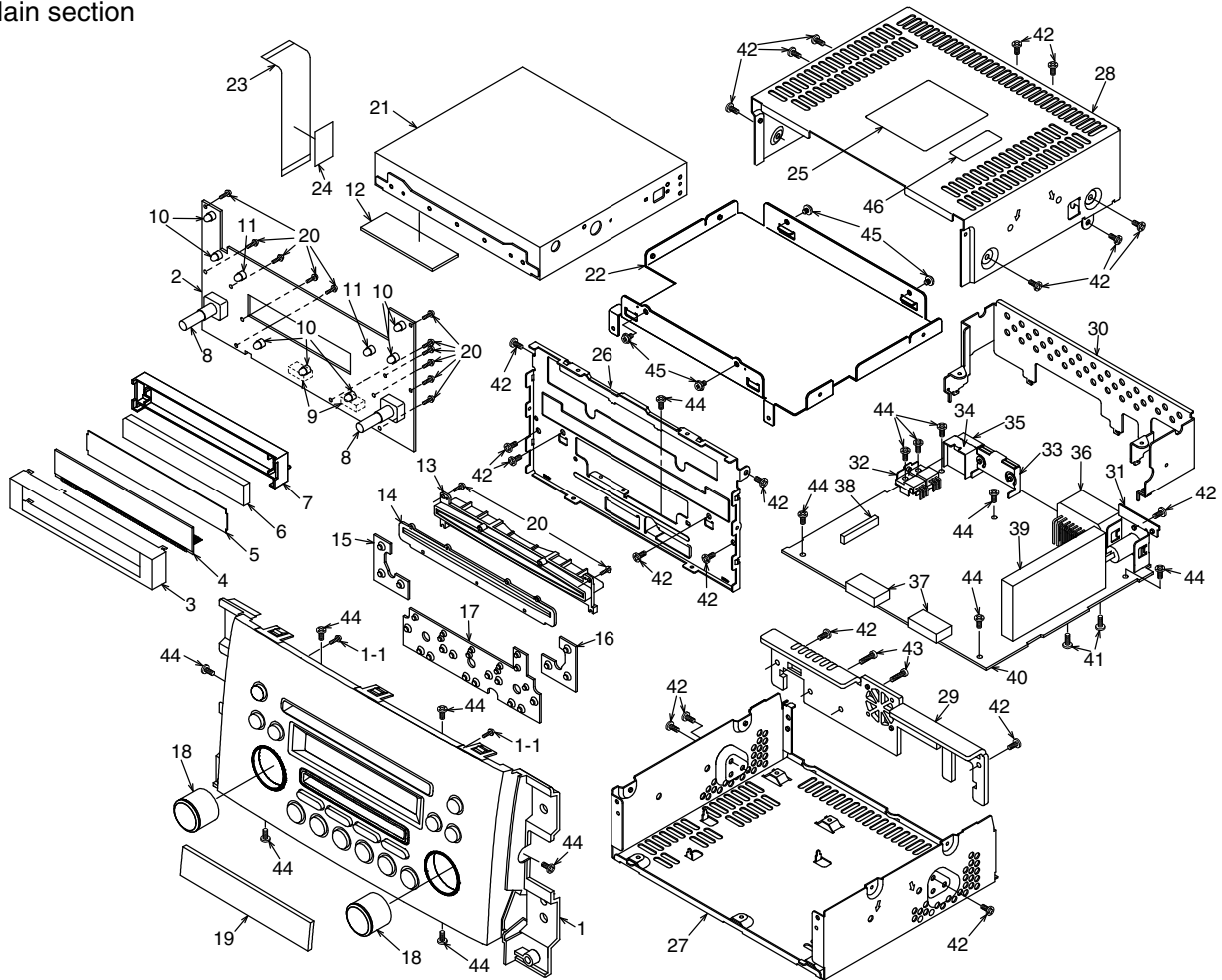


EXPLODED VIEW / PARTS LIST

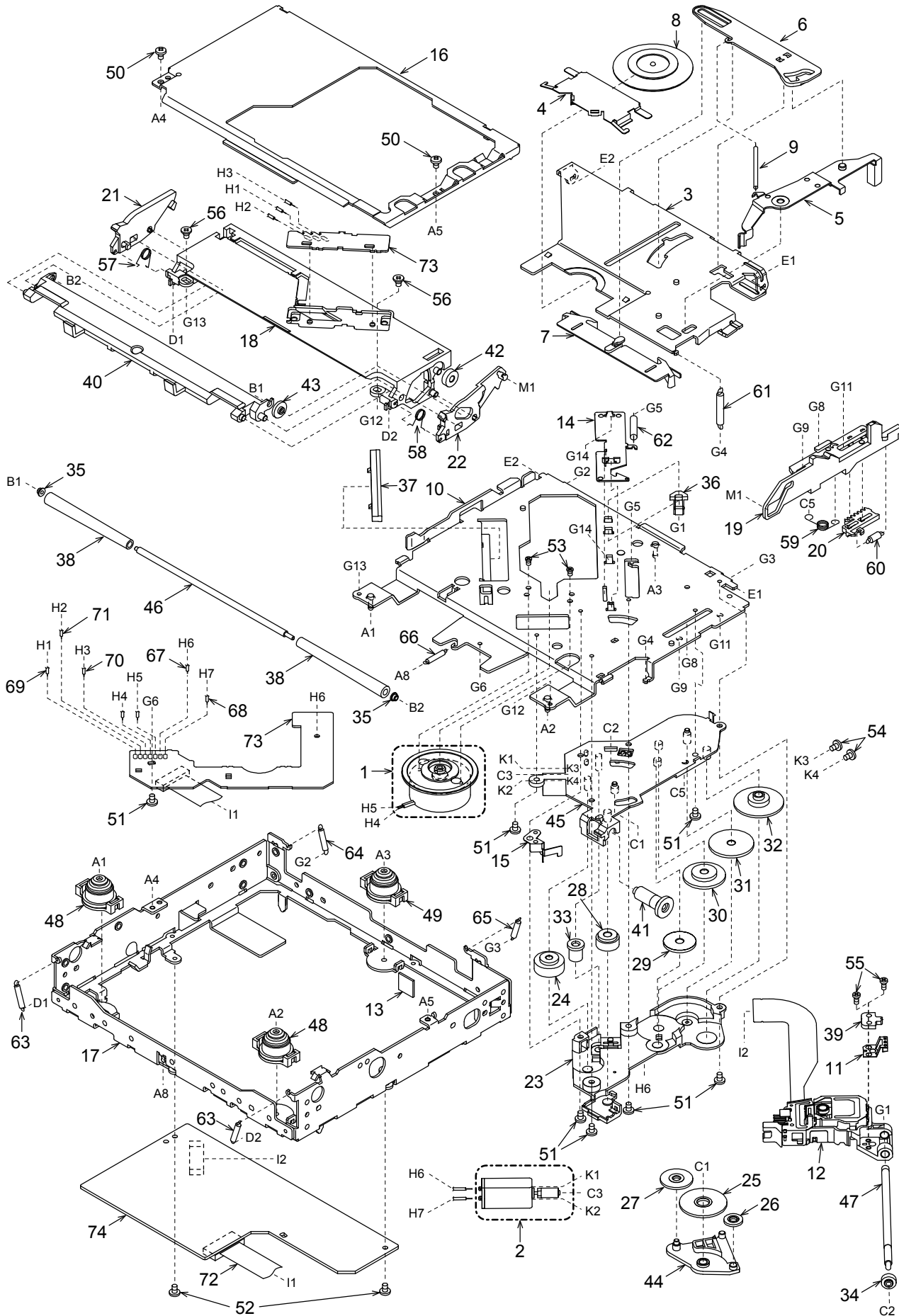
Main section



NO.	PART NO.	DESCRIPTION	Q'TY
1	940-8084-42	ES-ASSY	1
1-1	716-0778-00	WAVE SCREW(2x6)	2
2	-----	SWITCH PWB	1
3	331-3883-00	LCD CVR	1
4	379-1335-52	INDICATOR(LCD)	1
5	335-7322-00	COLOR FILTER	1
6	335-7323-00	LCD ILLUMI	1
7	335-7291-00	LCD HOLDER	1
8	016-0014-12	VR W/SHAFT	2
9	074-3000-62	OUTLET SOCKET	2
10	017-0420-43	PILOT LAMP(14V 40mA)	7
11	017-0429-22	PILOT LAMP(8V 105mA)	2
12	345-5579-00	CUSHION RUBBER	1
13	335-7292-00	DISC GUIDE	1
14	346-0149-01	LEATHER SHEET	1
15	345-5782-00	RUBBER SW(A)	1
16	345-5783-00	RUBBER SW(B)	1
17	345-5784-00	RUBBER SW(C)	1
18	380-5610-00	KNOB	2
19	373-1047-00	DIAL CVR	1
20	716-0778-00	WAVE SCREW(2x6)	13
21	929-0301-84	CD MECH MODULE	1
22	331-3463-01	CD MECH BRKT	1
23	816-2651-50	FLAT WIRE	1

NO.	PART NO.	DESCRIPTION	Q'TY
24	335-7621-00	WIRE SUPPORT	1
25	286-6224-12	SETPLATE	1
26	309-0803-11	ES PLATE	1
27	311-1861-01	LOWER CASE	1
28	310-1762-00	UPPER CASE	1
29	313-1856-00	HEAT SINK	1
30	331-3722-00	MECH BRKT	1
31	331-3444-10	ANT HOLDER	1
32	331-3458-00	TR HOLDER	1
33	331-3459-00	IC HOLDER	1
34	331-3460-00	CONNECT HOLDER	1
35	074-1194-00	OUTLET SOCKET	1
36	074-4007-20	OUTLET SOCKET(20P)	1
37	076-0648-12	PLUG(12P)	2
38	074-1192-20	OUTLET SOCKET(26P)	1
39	941-0215-72	AM/FM TUNER PACK	1
40	-----	MAIN PWB	1
41	778-3006-00	TAP SCREW(3x6)	2
42	714-2606-81	MACHINE SCREW(2.6x6)	20
43	714-2612-81	OUTLET SOCKET(20P)	2
44	716-0878-00	IT SCREW (2.6x5)	14
45	714-2603-81	MACHINE SCREW(2.6x3)	4
46	285-1960-00	GUIDE LABEL	1

CD mechanism section: 929-0301-84



NO.	PART NO.	DESCRIPTION	Q'TY	NO.	PART NO.	DESCRIPTION	Q'TY
1	SMA-182-100	SPD-MOTOR-ASSY	1	38	621-0711-20	LOADING ROLLER	2
2	SMA-183-100	POW-MOTOR-ASSY	1	39	621-1729-20	SH-BASE	1
3	620-1736-22	CLAMPER LINK	1	40	621-0718-21	ROLLER GUIDE	1
4	620-1742-20	CLAMPER PLATE	1	41	621-0719-20	ROLLER GEAR	1
5	620-1737-21	SENSOR ARM	1	42	621-0720-20	ROLLER GEAR C	1
6	621-0626-21	STOPPER LINK	1	43	621-0721-20	ROLLER GEAR D	1
7	621-0627-21	DISC STOPPER	1	44	621-1719-20	IDLE CASE	1
8	621-0708-20	CLAMPER RING	1	45	621-0724-21	GEAR BASE	1
9	750-3471-20	SENSOR SPRING	1	46	622-1660-20	ROLLER SHAFT	1
10	966-1729-21	DRIVE-PLT-ASSY	1	47	624-0018-01	LEAD SCREW	1
11	966-1747-20	SH-RACK-ASSY	1	48	629-0086-20	DAMPER F	2
12	969-0071-31	PICK UP-ASSY	1	49	629-0087-20	DAMPER R	1
13	345-5476-20	CUSHION RUBBER	1	50	714-2003-81	MACHINE SCREW (M2x3)	2
14	620-1738-21	ID-LOCK PLATE	1	51	716-1507-00	SCREW (M2x3)	7
15	620-1739-20	SPRING PLATE	1	52	716-1670-00	SCREW (M2x4)	2
16	620-1740-22	UPPER CHASSIS	1	53	716-1733-00	SCREW (M1.7x2.3)	2
17	620-1585-22	LOWER CHASSIS-W	1	54	716-3551-00	SCREW (M1.4x2.5)	2
18	621-0598-27	UPPER GUIDE	1	55	716-3469-00	SCREW (1.7x4)	2
19	621-0600-26	SHIFT LEVER	1	56	716-3473-00	SCREW (M2x3)	2
20	621-1735-20	RACK	1	57	750-3465-21	ROLLER SPRING L	1
21	621-0602-22	LOCK ARM L	1	58	750-3466-20	ROLLER SPRING R	1
22	621-0603-25	LOCK ARM R	1	59	750-3467-21	SHIFT SPRING	1
23	621-0605-22	GEAR COVER	1	60	750-3468-20	RACK SPRING	1
24	621-0608-21	SECOND GEAR	1	61	750-3469-20	CLAMPER SPRING	1
25	621-0609-20	BASE GEAR	1	62	750-3470-20	ID-LOCK SPRING	1
26	621-0610-20	IDLE GEAR A	1	63	750-3472-21	DR-SPRING F	2
27	621-0611-20	IDLE GEAR B	1	64	750-3473-20	DR-SPRING RA	1
28	621-0612-21	ROLLER GEAR A	1	65	750-3474-20	DR-SPRING RB	1
29	621-0616-20	POWER GEAR A	1	66	750-3475-21	DR-SPRING C	1
30	621-0617-20	POWER GEAR B	1	67	803-4906-60	VINYL-COAT-WIRE (Orange)	1
31	621-0618-20	POWER GEAR C	1	68	816-2590-00	EXTENSION LEAD (Green)	1
32	621-0619-20	POWER GEAR D	1	69	816-2591-00	EXTENSION LEAD (Yellow)	1
33	621-0620-20	THREAD GEAR A	1	70	816-2592-00	EXTENSION LEAD (Blue)	1
34	621-0621-20	THREAD GEAR B	1	71	816-2593-00	EXTENSION LEAD (Purple)	1
35	621-1726-20	ROLLER SLEEVE	2	72	816-2624-50	FLAT WIRE	1
36	621-0623-23	LS-HOLDER	1	73	-----	LED PWB	1
37	621-0624-22	GUIDE RAIL	1	74	-----	CD PWB	1

ELECTRICAL PARTS LIST

Main PWB(B1) section

REF No.	PART No.	DESCRIPTION	REF No.	PART No.	DESCRIPTION	REF No.	PART No.	DESCRIPTION
ANT102	092-0702-00	ANT RECEPT	C632	168-1042-78	16V 0.1uF	D804	001-0516-90	MA111
BL101	941-0215-72	TUNER	C633	168-1042-78	16V 0.1uF	D805	001-0466-90	S5688B
C107	168-2232-55	25V 0.022uF	C634	168-1042-78	16V 0.1uF	D806	001-0466-90	S5688B
C109	178-4742-78	0.47uF	C635	168-1042-78	16V 0.1uF	D807	001-0466-90	S5688B
C113	189-1073-29	10V 100uF	C640	168-1022-55	50V 1000pF	D808	001-2015-00	RL253
C114	168-1042-78	16V 0.1uF	C641	168-1022-55	50V 1000pF	IC102	051-6212-18	LC72191JM
C115	168-1042-78	16V 0.1uF	C642	168-1022-55	50V 1000pF	IC301	051-6600-58	HA12187FP
C116	168-1042-78	16V 0.1uF	C643	168-1022-55	50V 1000pF	IC302	052-3196-00	M30624MGA-630GP
C117	166-1801-50	18pF CH	C644	188-1063-38	16V 10uF	IC303	051-0869-58	NJM2103M
C118	166-1801-50	18pF CH	C645	188-1063-38	16V 10uF	IC304	051-9400-29	BR93L46F
C119	188-1073-28	10V 100uF	C646	168-3332-78	25V 0.033uF	IC601	051-5027-10	LC75412WH
C120	168-2232-55	25V 0.022uF	C647	168-5632-78	0.056uF	IC702	051-2040-00	TA8276H
C121	166-1011-50	100pF CH	C648	168-5632-78	0.056uF	IC951	051-0350-93	NJM4558M
C122	166-1011-50	100pF CH	C649	168-4712-55	470pF	J202	074-1192-20	20P
C123	042-1458-90	50V 1uF	C650	168-4712-55	470pF	J301	074-1194-00	13P CE-NET
C124	168-2232-55	25V 0.022uF	C670	188-1073-28	10V 100uF	J801	074-4007-20	20P
C125	188-4763-38	16V 47uF	C671	168-1042-78	16V 0.1uF	L101	010-2003-04	30uH(Variable)
C126	168-1022-55	50V 1000pF	C672	188-1073-28	10V 100uF	L103	010-6009-76	22uH
C127	188-4763-38	16V 47uF	C691	178-1052-78	1.0uF	L104	010-6009-76	22uH
C128	166-1011-50	100pF CH	C692	188-1063-38	16V 10uF	L202	010-6009-76	22uH
C129	166-1011-50	100pF CH	C693	188-1063-38	16V 10uF	L301	010-6009-76	22uH
C131	168-2232-55	25V 0.022uF	C694	188-1063-38	16V 10uF	L302	010-6009-76	22uH
C132	166-1011-50	100pF CH	C695	188-1063-38	16V 10uF	P401	076-0648-12	12P
C133	166-1011-50	100pF CH	C696	178-1052-78	1.0uF	P402	076-0648-12	12P
C138	119-0000-05	1/16W 0 ohm JW	C730	168-1042-78	16V 0.1uF	Q105	192-2712-51	C2712 GR
C204	168-2232-55	25V 0.022uF	C731	168-1042-78	16V 0.1uF	Q106	192-2712-51	C2712 GR
C205	168-1042-78	16V 0.1uF	C732	168-1042-78	16V 0.1uF	Q108	191-1240-00	B1240
C206	189-2273-28	10V 220uF	C733	168-1042-78	16V 0.1uF	Q109	191-1240-00	B1240
C209	189-4773-19	6.3V 470uF	C734	188-1053-68	50V 1uF	Q110	191-1240-00	B1240
C213	188-1063-38	16V 10uF	C735	188-1063-38	16V 10uF	Q201	190-1428-00	A1428
C214	188-1073-28	10V 100uF	C738	188-1053-68	50V 1uF	Q202	125-2004-92	RN1402
C215	188-4763-38	16V 47uF	C801	188-1063-38	16V 10uF	Q204	193-1858-00	D1858
C216	188-4763-18	6.3V 47uF	C806	188-4763-38	16V 47uF	Q205	193-1858-00	D1858
C217	168-1042-78	16V 0.1uF	C807	188-1073-28	10V 100uF	Q208	190-1428-00	A1428
C301	168-1032-55	50V 0.01uF	C809	172-1041-15	0.1uF	Q209	192-2712-00	C2712
C302	168-1042-78	16V 0.1uF	C810	188-1053-68	50V 1uF	Q214	103-2012-00	D2012
C303	188-4763-18	6.3V 47uF	C811	188-4756-58	35V 4.7uF	Q215	103-2012-00	D2012
C304	168-1032-55	50V 0.01uF	C812	168-1042-78	16V 0.1uF	Q219	125-0002-92	RN2402
C305	168-1032-55	50V 0.01uF	C813	042-1586-00	16V 4700uF	Q220	125-2004-92	RN1402
C306	168-1032-55	50V 0.01uF	C814	172-1041-15	0.1uF	Q301	192-2712-00	C2712
C307	168-1042-78	16V 0.1uF	C851	168-1032-55	50V 0.01uF	Q304	192-2712-00	C2712
C309	188-1053-68	50V 1uF	C951	168-1042-78	16V 0.1uF	Q308	192-2712-00	C2712
C311	168-1022-55	50V 1000pF	C952	188-4763-38	16V 47uF	Q309	125-0002-92	RN2402
C312	168-1022-55	50V 1000pF	C953	166-2201-50	22pF CH	Q310	192-2712-00	C2712
C313	168-1042-78	16V 0.1uF	C954	166-2201-50	22pF CH	Q311	191-1240-00	B1240
C314	188-2263-38	16V 22uF	C955	166-1007-50	10pF CH	Q312	192-2712-00	C2712
C315	168-1042-78	16V 0.1uF	C956	166-1007-50	10pF CH	Q320	193-2118-50	D2118
C316	042-0559-00	5.5V 0.1F	C957	188-1063-38	16V 10uF	Q401	125-0002-92	RN2402
C318	188-1073-28	10V 100uF	C958	188-1063-38	16V 10uF	Q402	125-2004-92	RN1402
C319	168-1042-78	16V 0.1uF	C959	188-1063-38	16V 10uF	Q403	193-1858-00	D1858
C320	188-4763-38	16V 47uF	C960	188-1063-38	16V 10uF	Q404	125-0002-92	RN2402
C401	188-1063-38	16V 10uF	C961	168-1042-78	16V 0.1uF	Q405	125-2004-92	RN1402
C402	188-1063-38	16V 10uF	CCT301	050-0140-54	1/32W 1K ohm x 4J	Q407	192-2712-00	C2712
C403	188-1063-38	16V 10uF	D203	001-4301-33	HZU5.6B3	Q409	193-2118-00	D2118
C404	188-1073-28	10V 100uF	D205	001-0347-48	MA4091H	Q701	125-2004-92	RN1402
C603	188-2253-67	50V 2.2uF	D301	001-0347-69	MA4180M	Q705	192-2712-00	C2712
C604	168-1532-55	50V 0.015uF	D303	060-0108-00	1/62P 0 ohm JW	Q801	190-1428-00	A1428
C605	168-1532-55	50V 0.015uF	D304	001-0347-69	MA4180M	Q802	192-2712-00	C2712
C606	188-2253-68	50V 2.2uF	D305	001-4301-32	HZU5.6B2	Q804	193-2118-00	D2118
C610	168-4712-55	470pF	D306	001-4301-25	HZU4.7B1	Q807	125-0002-92	RN2402
C611	168-4712-55	470pF	D308	001-0347-69	MA4180M	Q808	125-2004-92	RN1402
C619	188-4763-37	16V 47uF	D310	001-0516-90	MA111	Q809	191-1240-00	B1240
C620	188-4763-17	6.3V 47uF	D312	001-0516-90	MA111	Q810	192-2712-00	C2712
C622	178-5642-78	0.56uF	D314	001-0466-90	S5688B	Q811	192-2712-00	C2712
C623	178-5642-78	0.56uF	D316	001-0504-36	HZS7A1L	Q812	192-2712-00	C2712
C624	168-5612-55	560pF	D401	001-0504-39	HZS7B2L	R107	119-0000-05	1/16W 0 ohm JW
C625	168-5612-55	560pF	D402	001-0347-34	MA4062L	R112	119-2221-15	1/16W 2.2k ohm
C626	188-1053-68	50V 1uF	D403	001-0347-40	MA4075L	R115	119-2221-15	1/16W 2.2k ohm
C627	188-1053-68	50V 1uF	D803	001-0347-46	MA4091L	R116	119-2231-15	1/16W 22k ohm

REF No.	PART No.	DESCRIPTION	REF No.	PART No.	DESCRIPTION	REF No.	PART No.	DESCRIPTION
R117	111-1001-94	1/4W 10 ohm	R338	119-4731-15	1/16W 47k ohm	R672	116-1021-15	1/4W 1k ohm
R119	119-5631-15	1/16W 56k ohm	R339	117-2231-15	1/10W 22k ohm	R691	119-3331-15	1/16W 33k ohm
R120	119-3321-15	1/16W 3.3k ohm	R340	111-6801-94	1/4W 68 ohm	R692	119-3331-15	1/16W 2.2k ohm
R121	119-2221-15	1/16W 2.2k ohm	R341	117-2231-15	1/10W 22k ohm	R693	119-3331-15	1/16W 33k ohm
R122	119-4721-15	1/16W 4.7k ohm	R342	119-1031-15	1/16W 10k ohm	R694	119-3331-15	1/16W 33k ohm
R123	119-1021-15	1/16W 1k ohm	R344	117-5621-15	1/10W 5.6k ohm	R729	119-1031-15	1/16W 10k ohm
R124	119-5121-15	1/16W 5.1k ohm	R345	119-2231-15	1/16W 22k ohm	R733	119-8221-15	1/16W 8.2k ohm
R125	119-1041-15	1/16W 100k ohm	R346	117-1021-15	1/10W 1k ohm	R734	119-2221-15	1/16W 2.2k ohm
R126	119-2221-15	1/16W 2.2k ohm	R347	119-1021-15	1/16W 1k ohm	R735	119-2221-15	1/16W 2.2k ohm
R128	119-1021-15	1/16W 1k ohm	R348	119-2231-15	1/16W 22k ohm	R736	119-2221-15	1/16W 2.2k ohm
R129	119-1021-15	1/16W 1k ohm	R349	119-1031-15	1/16W 10k ohm	R737	119-2221-15	1/16W 2.2k ohm
R131	119-1031-15	1/16W 10k ohm	R350	119-1041-15	1/16W 100k ohm	R738	119-2221-15	1/16W 2.2k ohm
R132	119-1031-15	1/16W 10k ohm	R351	119-1041-15	1/16W 100k ohm	R739	119-4731-15	1/16W 47k ohm
R133	119-2221-15	1/16W 2.2k ohm	R352	119-6831-15	1/16W 68k ohm	R740	119-4731-15	1/16W 47k ohm
R134	119-2221-15	1/16W 2.2k ohm	R354	119-3341-15	1/16W 330k ohm	R801	116-4721-15	1/4W 4.7k ohm
R135	119-1031-15	1/16W 10k ohm	R355	119-6831-15	1/16W 68k ohm	R802	111-1031-94	1/4W 10k ohm
R136	119-0000-05	1/16W 0 ohm J	R356	119-5631-15	1/16W 56k ohm	R803	119-1031-15	1/16W 10k ohm
R137	119-3311-15	1/16W 330 ohm	R357	111-1211-94	1/4W 120 ohm	R804	119-1031-15	1/16W 10k ohm
R140	119-1041-15	1/16W 100k ohm	R358	119-2241-15	1/16W 220k ohm	R805	116-2221-15	1/4W 2.2k ohm
R202	119-5611-15	1/16W 560 ohm	R359	119-4731-15	1/16W 47k ohm	R806	116-2221-15	1/4W 2.2k ohm
R203	119-2221-15	1/16W 2.2k ohm	R360	119-1531-15	1/16W 15k ohm	R815	116-4711-15	1/4W 470 ohm
R206	116-2291-15	1/4W 2.2 ohm	R361	119-1021-15	1/16W 1k ohm	R816	111-5621-94	1/4W 5.6k ohm
R207	116-2291-15	1/4W 2.2 ohm	R363	119-1031-15	1/16W 10k ohm	R817	116-2221-15	1/4W 2.2k ohm
R209	119-0000-05	1/16W 0 ohm JW	R364	119-1021-15	1/16W 1k ohm	R818	117-1031-15	1/10W 10k ohm
R210	119-3611-15	1/16W 360 ohm	R365	119-1031-15	1/16W 10k ohm	R819	116-2221-15	1/4W 2.2k ohm
R212	119-0000-05	1/16W 0 ohm JW	R366	119-2221-15	1/16W 2.2k ohm	R820	119-3321-15	1/16W 3.3k ohm
R214	119-0000-05	1/16W 0 ohm JW	R367	119-0000-05	1/16W 0 ohm JW	R821	119-1031-15	1/16W 10k ohm
R215	119-0000-05	1/16W 0 ohm JW	R370	116-1001-15	14W 10 ohm	R822	116-5611-15	1/4W 560 ohm
R217	119-0000-05	1/16W 0 ohm JW	R371	119-4721-15	1/16W 4.7k ohm	R826	119-4721-15	1/16W 4.7k ohm
R223	116-4711-15	1/4W 470 ohm	R372	119-0000-05	1/16W 0 ohm JW	R827	119-1831-15	1/16W 18k ohm
R225	119-4721-15	1/16W 4.7k ohm	R379	117-6821-15	1/10W 6.8k ohm	R828	119-0000-05	1/16W 0 ohm JW
R226	116-4711-15	1/4W 470 ohm	R401	119-1221-15	1/16W 1.2k ohm	R830	111-4721-94	1/4W 4.7k ohm
R227	119-2231-15	1/16W 22k ohm	R402	032-0092-51	1/10W 1k ohm F	R831	119-0000-05	1/16W 0 ohm JW
R230	119-3321-15	1/16W 3.3k ohm	R403	032-0092-56	1/10W 22k ohm F	R832	119-0000-05	1/16W 0 ohm JW
R231	116-2291-15	1/4W 2.2 ohm	R404	119-1541-15	1/16W 150k ohm	R851	119-5631-15	1/16W 56k ohm
R232	116-2291-15	1/4W 2.2 ohm	R405	116-1021-15	1/4W 1k ohm	R852	119-1221-15	1/16W 1.2k ohm
R237	111-1511-81	1/2W 150 ohm	R406	119-2231-15	1/16W 22k ohm	R951	119-1031-15	1/16W 10k ohm
R306	119-1031-15	1/16W 10k ohm	R407	119-2231-15	1/16W 22k ohm	R952	119-1031-15	1/16W 10k ohm
R307	119-4721-15	1/16W 4.7k ohm	R408	116-1591-15	1/4W 1.5 ohm	R953	119-1031-15	1/16W 10k ohm
R308	119-4721-15	1/16W 4.7k ohm	R411	060-0108-00	1/6ZP 0 ohm JW	R954	119-1031-15	1/16W 10k ohm
R309	119-4721-15	1/16W 4.7k ohm	R414	119-4721-15	1/16W 4.7k ohm	R955	119-1031-15	1/16W 10k ohm
R310	119-4731-15	1/16W 47k ohm	R417	119-4721-15	1/16W 4.7k ohm	R956	119-1031-15	1/16W 10k ohm
R313	119-4731-15	1/16W 47k ohm	R453	119-0000-05	1/16W 0 ohm JW	R957	119-1031-15	1/16W 10k ohm
R314	119-4721-15	1/16W 4.7k ohm	R603	119-1031-15	1/16W 10k ohm	R958	119-1031-15	1/16W 10k ohm
R316	032-0140-66	1/10W 220 ohm F	R605	119-4721-15	1/16W 4.7k ohm	R959	119-1021-15	1/16W 1k ohm
R317	119-0000-05	1/16W 0 ohm JW	R606	119-1831-15	1/16W 18k ohm	SUP101	060-0122-20	DSP-141N-SOOB
R319	119-4721-15	1/16W 4.7k ohm	R607	119-1831-15	1/16W 18k ohm	T801	009-0670-00	CHOKE 180uH
R320	119-4721-15	1/16W 4.7k ohm	R608	119-4721-15	1/16W 4.7k ohm	TH801	002-0222-90	PTH61G30BD
R322	119-0000-05	1/16W 0 ohm JW	R610	119-1031-15	1/16W 10k ohm	TM101	073-0762-90	TERMINAL
R323	119-0000-05	1/16W 0 ohm JW	R615	119-2221-15	1/16W 2.2k ohm	TM102	073-0762-90	TERMINAL
R325	119-1031-15	1/16W 10k ohm	R616	119-2221-15	1/16W 2.2k ohm	TM103	073-0762-90	TERMINAL
R328	119-0000-05	1/16W 0 ohm JW	R617	119-3931-15	1/16W 39k ohm	TM104	073-0762-90	TERMINAL
R330	119-0000-05	1/16W 0 ohm JW	R618	119-3931-15	1/16W 39k ohm	X101	061-1066-00	7.2MHZ
R332	119-0000-05	1/16W 0 ohm JW	R620	119-1051-15	1/16W 1M ohm	X301	060-1533-90	10MHZ
R334	119-1031-15	1/16W 10k ohm	R651	119-0000-05	1/16W 0 ohm JW	PWB	039-2696-00	PWB(WITCHOUT COMPONENT)
R335	119-4731-15	1/16W 47k ohm	R652	119-0000-05	1/16W 0 ohm JW			
R336	119-4731-15	1/16W 47k ohm	R670	116-2291-15	1/4W 2.2 ohm			
R337	119-4731-15	1/16W 47k ohm	R671	116-8211-15	1/4W 820 ohm			

Switch PWB(B2) section

REF No.	PART No.	DESCRIPTION	REF No.	PART No.	DESCRIPTION	REF No.	PART No.	DESCRIPTION
C901	168-1042-78	16V 0.1uF	R904	119-0000-05	1/16W 0 ohm JW	PL903	017-0429-22	8V 105mA
C902	168-1042-78	16V 0.1uF	R905	119-0000-05	1/16W 0 ohm JW	PL904	017-0420-43	14V 40mA
C903	168-1042-78	16V 0.1uF	R906	119-0000-05	1/16W 0 ohm JW	PL905	017-0420-43	14V 40mA
C904	168-1042-78	16V 0.1uF	R907	119-0000-05	1/16W 0 ohm JW	PL907	017-0420-43	14V 40mA
C905	168-1042-78	16V 0.1uF	R910	119-0000-05	1/16W 0 ohm JW	PL908	017-0420-43	14V 40mA
C906	168-2212-55	220pF	R912	119-0000-05	1/16W 0 ohm JW	PL909	017-0420-43	14V 40mA
IC901	051-6052-20	LC75817NTRH-8720-UC-E	R914	119-0000-05	1/16W 0 ohm JW	PL910	017-0420-43	14V 40mA
J901	074-3000-62	12P	R915	119-3331-15	1/16W 33k ohm	VR901	016-0014-12	VR W/SHAFT
J902	074-3000-62	12P	R916	119-1021-15	1/16W 1k ohm	VR902	016-0014-12	VR W/SHAFT
L901	010-3406-66	22uH	R917	119-1021-15	1/16W 1k ohm	PWB	039-2538-00	PWB(WITCHOUT COMPONENT)
TH901	002-0306-90	SC20-3J153	PL901	017-0429-22	8V 105mA			
LCD901	379-1335-52	INDICATOR(LCD)	PL902	017-0420-43	14V 40mA			

CD PWB(B3) section: 929-0301-84

REF No.	PART No.	DESCRIPTION	REF No.	PART No.	DESCRIPTION	REF No.	PART No.	DESCRIPTION
C1	168-1042-78	16V 0.1uF	C133	046-1532-78	0.015uF	R7	033-4731-15	1/10W 47k ohm
C4	168-1042-78	16V 0.1uF	C134	168-1042-78	16V 0.1uF	R8	033-1051-15	1/10W 1M ohm
C5	046-1032-78	0.01uF	C135	045-6801-50	50V 68pF	R9	033-3311-15	1/10W 330 ohm
C9	046-4722-58	4700pF	C136	178-1052-78	1uF	R12	033-4731-15	1/10W 47k ohm
C10	045-1011-50	100pF	C138	168-1042-78	16V 0.1uF	R13	033-1041-15	1/10W 100k ohm
C13	168-1042-78	16V 0.1uF	C139	168-1042-78	16V 0.1uF	R14	033-4721-15	1/10W 4.7k ohm
C16	168-1042-78	16V 0.1uF	C140	046-6812-58	680pF	R15	033-4721-15	1/10W 4.7k ohm
C17	046-1032-78	0.01uF	C142	178-1052-78	1uF	R16	033-1021-15	1/10W 1k ohm
C18	178-1052-78	1uF	C144	042-0560-85	6.3V 100uF	R17	033-1021-15	1/10W 1k ohm
C19	046-1032-78	0.01uF	C145	168-1042-78	16V 0.1uF	R19	033-4731-15	1/10W 47k ohm
C20	168-1042-78	16V 0.1uF	C146	168-1042-78	16V 0.1uF	R20	033-4731-15	1/10W 47k ohm
C21	042-0595-53	4V220uF	C147	178-1052-78	1uF	R23	033-2211-15	1/10W 220 ohm
C22	168-1042-78	16V 0.1uF	C148	042-0595-53	4V220uF	R24	033-4731-15	1/10W 47k ohm
C23	168-1042-78	16V 0.1uF	C149	163-1073-35	16V100uF	R28	033-6841-15	1/10W 680k ohm
C24	046-1032-78	0.01uF	C150	168-1042-78	16V 0.1uF	R29	033-6841-15	1/10W 680k ohm
C25	045-8097-50	8pF	C151	178-1052-78	1uF	R30	033-1041-15	1/10W 100k ohm
C26	045-8097-50	8pF	C200	178-1052-78	1uF	R31	033-1031-15	1/10W 10k ohm
C27	042-0416-52	10V10uF TAN	CCT1	050-0145-54	1/16W 47k ohm x4	R32	033-1031-15	1/10W 10k ohm
C28	046-1032-78	0.01uF	CCT2	050-0145-58	2.2k ohm x 4	R33	033-1031-15	1/10W 10k ohm
C29	168-1042-78	16V 0.1uF	CCT3	050-0140-63	1/32W 47k ohm x4J	R34	033-6831-15	1/10W 68k ohm
C30	045-1201-50	12pF	CCT101	050-0140-68	1/32W 3.3k ohm x4J	R35	033-6831-15	1/10W 68k ohm
C31	168-1042-78	16V 0.1uF	D1	001-2610-90	RB480KTL	R36	033-3311-15	1/10W 330 ohm
C32	046-1032-78	0.01uF	D2	001-2610-90	RB480KTL	R43	033-4731-15	1/10W 47k ohm
C33	046-1032-78	0.01uF	D3	001-2610-90	RB480KTL	R44	033-4731-15	1/10W 47k ohm
C34	046-1032-78	0.01uF	D4	001-2610-90	RB480KTL	R45	033-4731-15	1/10W 47k ohm
C35	046-1022-58	1000pF	D5	001-2610-90	RB480KTL	R101	033-1231-15	1/10W 12k ohm
C102	163-1073-35	16V100uF	D6	001-2610-90	RB480KTL	R102	033-3321-15	1/10W 3.3k ohm
C103	046-4722-58	4700pF	D101	001-0367-91	1SS226	R103	033-3331-15	1/10W 33k ohm
C104	046-1032-78	0.01uF	IC1	051-7518-18	SN74LVC139APWR	R104	033-4731-15	1/10W 47k ohm
C105	168-1042-78	16V 0.1uF	IC2	051-3315-90	TPS76316DBVR	R105	033-4731-15	1/10W 47k ohm
C106	168-1042-78	16V 0.1uF	IC3	051-7239-38	SN74AHCT08PWR	R106	033-2211-15	1/10W 220 ohm
C107	042-0416-52	10V10uF TAN	IC5	051-5441-08	BD4828G-TR	R107	033-2211-15	1/10W 220 ohm
C108	168-1042-78	16V 0.1uF	IC6	051-6700-00	TMS320DA140	R108	033-1021-15	1/10W 1k ohm
C109	168-1042-78	16V 0.1uF	IC10	052-5055-34	MBM29DL800BA-90PFTN	R109	033-1021-15	1/10W 1k ohm
C110	168-1042-78	16V 0.1uF	IC11	051-6919-08	NJU6391PE	R110	033-4731-15	1/10W 47k ohm
C111	168-1042-78	16V 0.1uF	IC12	051-7221-58	SN74AHC1G04HDCKR	R115	033-0000-05	1/10W 0 ohm
C112	168-4732-78	0.047uF	IC13	051-7280-38	TC7SU04FU-TE85L	R116	033-5621-15	1/10W 5.6k ohm
C113	168-4732-78	0.047uF	IC14	051-7280-38	TC7SU04FU-TE85L	R117	033-4731-15	1/10W 47k ohm
C114	168-1042-78	16V 0.1uF	IC101	051-6069-08	FAN8047G3	R118	033-3341-15	1/10W 330k ohm
C115	045-4701-50	47pF	IC102	051-6399-00	TC94A15F	R119	033-2231-15	1/10W 22k ohm
C116	046-4712-58	470pF	J1	074-1138-65	15P	R120	033-2231-15	1/10W 22k ohm
C117	046-4712-58	470pF	J2	074-1138-60	10P	R121	117-1001-15	1/10W 10 ohm
C118	168-1042-78	16V 0.1uF	J3	074-1237-70	20P	R122	033-2211-15	1/10W 220 ohm
C119	168-1042-78	16V 0.1uF	Q1	131-1188-50	2SB1188PQR	R123	117-6811-15	1/10W 680 ohm
C120	046-1532-78	0.015uF	Q2	125-2004-92	RN1402	R124	032-0162-50	1/10W 0.51 ohm
C121	046-6822-58	6800pF	Q101	131-1188-50	2SB1188PQR	R126	033-1021-15	1/10W 1k ohm
C122	168-1042-78	16V 0.1uF	Q102	131-1188-50	2SB1188PQR	R127	033-1021-15	1/10W 1k ohm
C123	046-1032-78	0.01uF	R1	033-4721-15	1/10W 4.7k ohm	R130	033-1051-15	1/10W 1M ohm
C126	046-3332-78	0.033uF	R2	033-1041-15	1/10W 100k ohm	TM101	073-0768-90	TERMINAL
C127	046-4722-58	4700pF	R3	033-1041-15	1/10W 100k ohm	X1	061-3534-90	16.92MHz
C130	168-1042-78	16V 0.1uF	R4	033-1031-15	1/10W 10k ohm	PWB	039-2429-21	PWB(WITHOUT COMPONENT)
C131	046-1522-58	1500pF	R5	033-2231-15	1/10W 22k ohm			
C132	168-1042-78	16V 0.1uF	R6	033-3911-15	1/10W 390 ohm			

LED PWB(B4) section: 929-0301-84

REF No.	PART No.	DESCRIPTION	REF No.	PART No.	DESCRIPTION	REF No.	PART No.	DESCRIPTION
D11	001-7058-90	AN1105W-RR	Q11	060-4015-90	PS1192H	S2	013-7413-50	LIMIT
D12	001-7058-90	AN1105W-RR	Q12	060-4015-90	PS1192H	PWB	039-1944-21	PWB(WITHOUT COMPONENT)
J4	074-1138-60	10P	S1	013-7414-50	CHUCKING			