

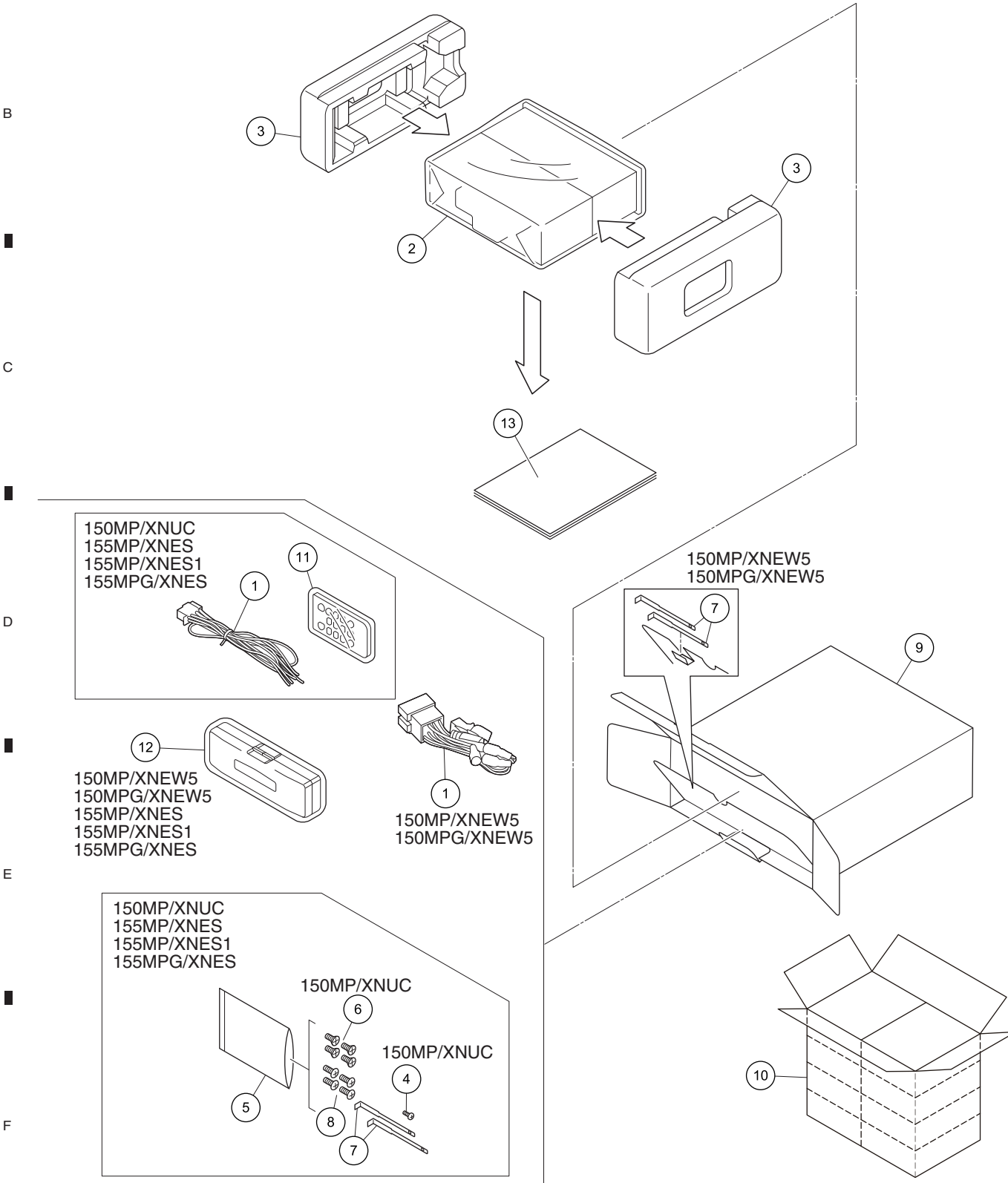


9. EXPLODED VIEWS AND PARTS LIST

- NOTES :
- Parts marked by " * " are generally unavailable because they are not in our Master Spare Parts List.
 - The  mark found on some component parts indicates the importance of the safety factor of the part. Therefore, when replacing, be sure to use parts of identical designation.
 - Screw adjacent to  mark on the product are used for disassembly.
 - For the applying amount of lubricants or glue, follow the instructions in this manual. (In the case of no amount instructions, apply as you think it appropriate.)

9.1 PACKING



(1) PACKING SECTION PARTS LIST

<u>Mark No.</u>	<u>Description</u>	<u>Part No.</u>	<u>Mark No.</u>	<u>Description</u>	<u>Part No.</u>
1	Cord Assy	See Contrast table (2)	9	Unit Box	See Contrast table (2)
2	Polyethylene Bag	See Contrast table (2)	10	Contain Box	See Contrast table (2)
3	Protector	CHP4594			
4	Screw	See Contrast table (2)	11	Card Remote Control Unit	See Contrast table (2)
5	Polyethylene Bag	See Contrast table (2)	12	Case Assy	See Contrast table (2)
			13-1	Owner's Manual	See Contrast table (2)
6	Screw	See Contrast table (2)	*	13-2 Warranty Card	See Contrast table (2)
7	Handle	QNC3021	*	13-3 Service Network	See Contrast table (2)
8	Screw	See Contrast table (2)			

(2) CONTRAST TABLE

DEH-150MP/XNUC, DEH-150MP/XNEW5, DEH-150MPG/XNEW5, DEH-155MP/XNES, DEH-155MP/XNES1 and DEH-155MPG/XNES are constructed the same except for the following:

Mark	No.	Description	DEH-150MP/XNUC	DEH-150MP/XNEW5	DEH-150MPG/XNEW5	DEH-155MP/XNES
	1	Cord Assy	CDP1480	QDP3012	QDP3012	CDP1480
	2	Polyethylene Bag	CEG1173	QEG3001	QEG3001	QEG3001
	4	Screw	BPZ20P060FTC	Not used	Not used	Not used
	5	Polyethylene Bag	CEG1160	Not used	Not used	CEG1160
	6	Screw	CRZ50P090FTC	Not used	Not used	Not used
	8	Screw	TRZ50P080FTC	Not used	Not used	TRZ50P080FTC
	9	Unit Box	QHG3341	QHG3339	QHG3340	QHG3344
	10	Contain Box	QHL3341	QHL3339	QHL3340	QHL3344
	11	Card Remote Control Unit	QXE1047	Not used	Not used	QXE1047
	12	Case Assy	Not used	QXA3129	QXA3129	QXA3129
	13-1	Owner's Manual	QRD3144	QRD3143	QRD3143	QRD3145
*	13-2	Warranty Card	QRY3001	CRY1376	CRY1376	Not used
*	13-3	Service Network	Not used	Not used	Not used	Not used

Mark	No.	Description	DEH-155MP/XNES1	DEH-155MPG/XNES
	1	Cord Assy	CDP1480	CDP1480
	2	Polyethylene Bag	QEG3001	QEG3001
	4	Screw	Not used	Not used
	5	Polyethylene Bag	CEG1160	CEG1160
	6	Screw	Not used	Not used
	8	Screw	TRZ50P080FTC	TRZ50P080FTC
	9	Unit Box	QHG3345	QHG3347
	10	Contain Box	QHL3345	QHL3347
	11	Card Remote Control Unit	QXE1047	QXE1047
	12	Case Assy	QXA3129	QXA3129
	13-1	Owner's Manual	QRD3145	QRD3145
*	13-2	Warranty Card	CRY1250	Not used
*	13-3	Service Network	CRY1251	Not used

Owner's Manual, Installation Manual

Part No.	Language
QRD3143	English, French, Italian, Spanish(Espanol), German, Dutch, Russian
QRD3144	English, French, Spanish(Espanol)
QRD3145	English, Spanish(Espanol), Portuguese(B), Traditional Chinese, Arabic, Persian

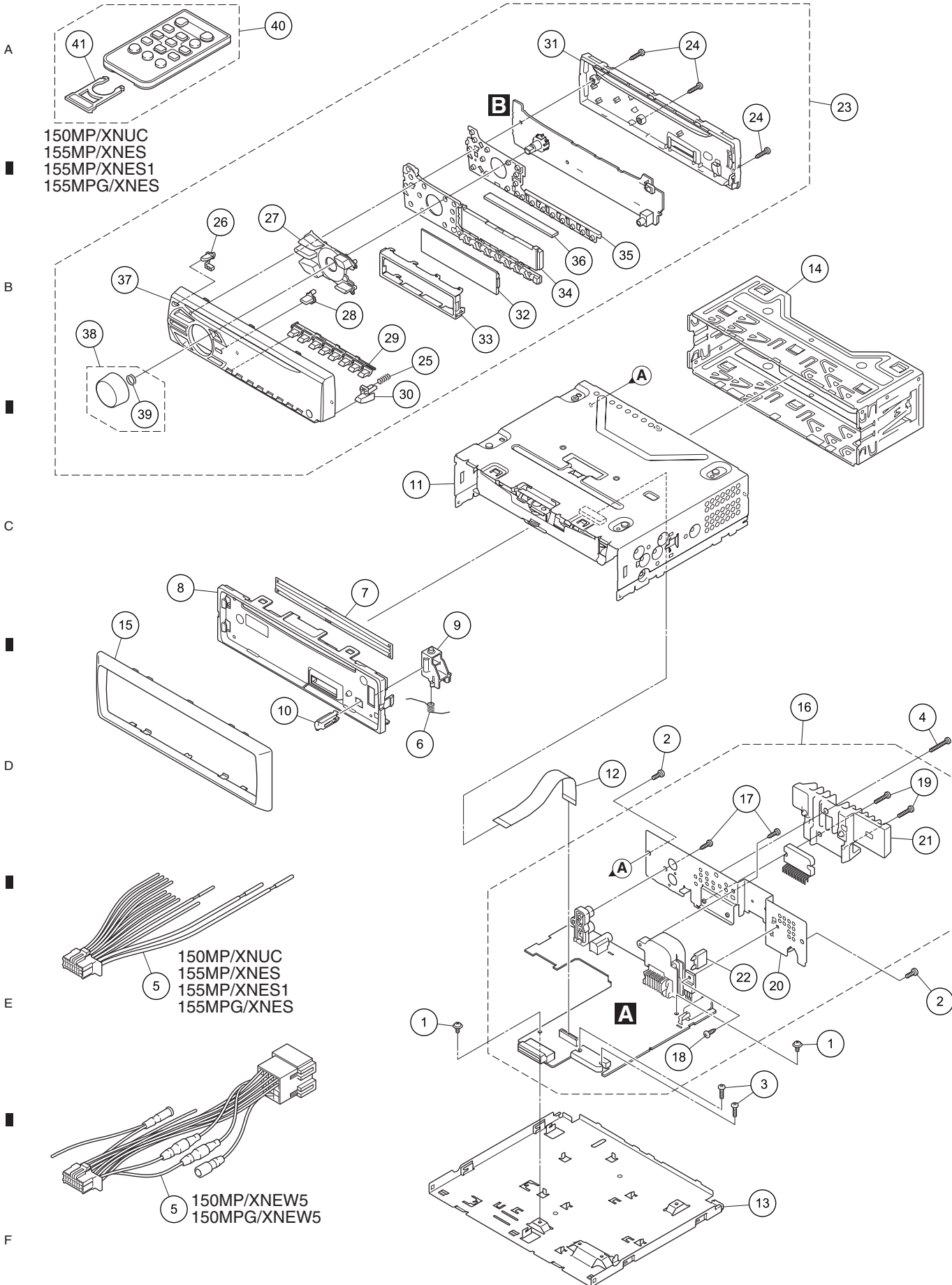
9.2 EXTERIOR

1

2

3

4



150MP/XNUC
155MP/XNES
155MP/XNES1
155MPG/XNES

150MP/XNUC
155MP/XNES
155MP/XNES1
155MPG/XNES

150MP/XNEW5
150MPG/XNEW5

1

2

3

4

(1) EXTERIOR SECTION PARTS LIST

<u>Mark No.</u>	<u>Description</u>	<u>Part No.</u>	<u>Mark No.</u>	<u>Description</u>	<u>Part No.</u>
1	Screw	ASZ26P050FTC	⚠ 22	Fuse (10 A)	YEK5001
2	Screw	BSZ26P060FTC	23	Detachable Grille Assy	See Contrast table (2)
3	Screw	BSZ26P080FTC	24	Screw	BPZ20P100FTC
4	Screw	BSZ26P120FTC	25	Spring	CBH2210
5	Cord Assy	See Contrast table (2)			
6	Spring	QBH3001	26	Button (EJECT)	QAC3075
7	Cover	QNM3029	27	Button (SRC, BAND)	QAC3078
8	Panel	QNS3126	28	Button (DISP)	QAC3080
9	Arm	QNV3025	29	Button (< > 1-6)	QAC3081
10	Button	QNV3026	30	Button (DETACH)	QAC3082
11	CD Mechanism Module (S11.6)	CXK5804	31	Cover	QNS3326
12	FFC	QDE3029	32	Segment LCD (V1801)	CAW2024
13	Case	QNB3005	33	Holder	QNC3045
14	Holder	QNC3020	34	Lighting Conductor	QNV3051
15	Panel	QNS3387	35	Contact Rubber	QNV3052
16	Tuner Amp Unit	See Contrast table (2)	36	Rubber Connector	QNV3056
17	Screw	BPZ26P080FTC	37	Grille Unit	See Contrast table (2)
18	Screw	BSZ26P060FTC	38	Knob Unit	See Contrast table (2)
19	Screw	BSZ26P120FTC	39	Spring	YBL5010
20	Holder	See Contrast table (2)	40	Card Remote Control Unit	See Contrast table (2)
21	Heat Sink	See Contrast table (2)	41	Cover	See Contrast table (2)

(2) CONTRAST TABLE

DEH-150MP/XNUC, DEH-150MP/XNEW5, DEH-150MPG/XNEW5, DEH-155MP/XNES, DEH-155MP/XNES1 and DEH-155MPG/XNES are constructed the same except for the following:

Mark	No.	Description	DEH-150MP/XNUC	DEH-150MP/XNEW5	DEH-150MPG/XNEW5	DEH-155MP/XNES
	5	Cord Assy	CDP1480	QDP3012	QDP3012	CDP1480
	16	Tuner Amp Unit	QWM3491	QWM3489	QWM3490	QWM3493
	20	Holder	QNC3051	QNC3050	QNC3050	QNC3050
	21	Heat Sink	QNR3010	QNR3010	QNR3010	QNR3002
	23	Detachable Grille Assy	QXA3589	QXA3587	QXA3588	QXA3591
	37	Grille Unit	QXA3645	QXA3643	QXA3644	QXA3648
	38	Knob Unit	QXA3673	QXA3670	QXA3670	QXA3673
	40	Card Remote Control Unit	QXE1047	Not used	Not used	QXE1047
	41	Cover	CNS7068	Not used	Not used	CNS7068

Mark	No.	Description	DEH-155MP/XNES1	DEH-155MPG/XNES
	5	Cord Assy	CDP1480	CDP1480
	16	Tuner Amp Unit	QWM3493	QWM3494
	20	Holder	QNC3050	QNC3050
	21	Heat Sink	QNR3002	QNR3002
	23	Detachable Grille Assy	QXA3591	QXA3594
	37	Grille Unit	QXA3648	QXA3650
	38	Knob Unit	QXA3673	QXA3673
	40	Card Remote Control Unit	QXE1047	QXE1047
	41	Cover	CNS7068	CNS7068

9.3 CD MECHANISM MODULE

A

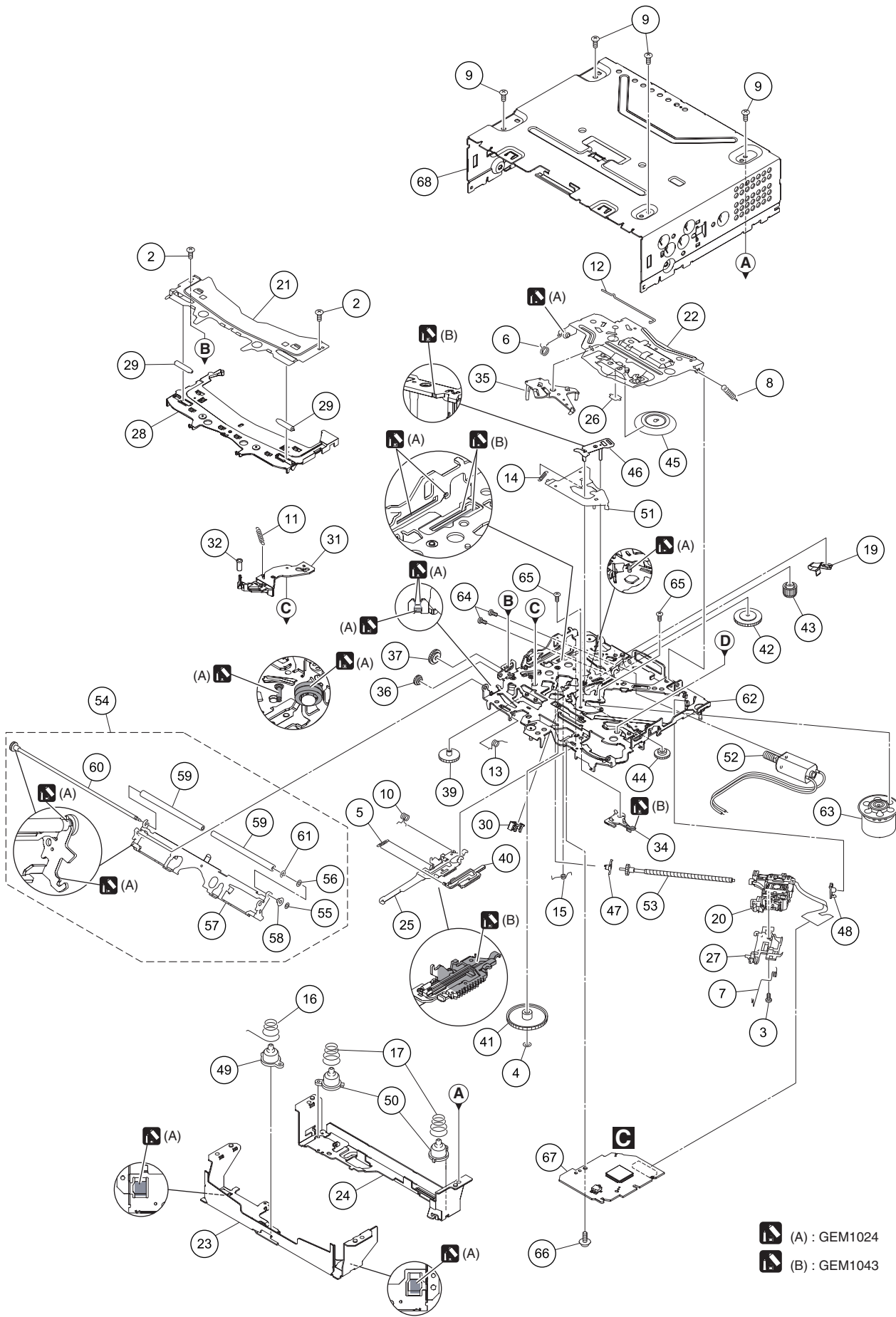
B

C

D

E

F



- (A) : GEM1024
- (B) : GEM1043

DEH-150MP/XNUC

5 6 7 8
CD MECHANISM MODULE SECTION PARTS LIST

<u>Mark No.</u>	<u>Description</u>	<u>Part No.</u>	<u>Mark No.</u>	<u>Description</u>	<u>Part No.</u>
1		50	Damper	CNW1198
2	Screw	BSZ20P040FTC	51	Arm	CNW1726
3	Screw(M2 x 4)	CBA1835	52	Motor Unit(M2)(LOAD/CRG)	CXC4026
4	Washer	CBF1038	53	Screw Unit	CXC8894
5	Spring	CBH3010	54	Arm Assy	CXE5027
6	Spring	CBH2855	55	Washer	CBF1037
7	Spring	CBH2856	56	Washer	CBF1038
8	Spring	CBH2860	57	Arm	CND6242
9	Screw	BSZ26P060FTC	58	Collar	CNW2444
10	Spring	CBH3011	59	Roller	CNW1196
11	Coil Spring	CBH3095	60	Gear Unit	CXC8893
12	Spring	CBH3014	61	Washer	YE15FTC
13	Spring	CBH3015	62	Chassis Unit	CXE4528
14	Spring	CBH3016	63	Motor Unit(M1)(SPDL)	CXE2273
15	Spring	CBH3017	64	Screw	JFZ20P025FTC
16	Spring	CBH3086	65	Screw	JGZ17P022FTC
17	Spring	CBH3019	66	Screw	EBA1028
18		67	CD Core Unit (S11.6STD)	CWX4023
19	Leaf Spring	CBL1824	68	Chassis	CNA3181
20	Pickup Unit(P10.6)(Service)	CXX3556			
21	Bracket	CND4553			
22	Arm	CND4555			
23	Bracket	CND6127			
24	Bracket	CND5710			
25	Lever	CND5398			
26	Sheet	CNN3678			
27	Rack	CNV8342			
28	Guide	CNW2240			
29	Roller	CNW1172			
30	Holder	CNW1195			
31	Arm	CNW2241			
32	Roller	CNW1175			
33				
34	Arm	CNW1177			
35	Arm	CNW1178			
36	Gear	CNW1180			
37	Gear	CNW1181			
38				
39	Gear	CNW1183			
40	Rack	CNW1184			
41	Gear	CNW1185			
42	Gear	CNW1186			
43	Gear	CNW1187			
44	Gear	CNW2287			
45	Clamper	CNW1190			
46	Arm	CNW1192			
47	Holder	CNW1193			
48	Holder	CNW1194			
49	Damper	CNW1197			

12. ELECTRICAL PARTS LIST

NOTE:

- Parts whose parts numbers are omitted are subject to being not supplied.
- The part numbers shown below indicate chip components.

Chip Resistor

RS1/○S○○○○J,RS1/○○S○○○○J

Chip Capacitor (except for CQS.....)

CKS....., CCS....., CSZS.....

- The \triangle mark found on some component parts indicates the importance of the safety factor of the part. Therefore, when replacing, be sure to use parts of identical designation.
- Meaning of the figures and others in the parentheses in the parts list.

Example) IC 301 is on the point (face A, 91 of x-axis, and 111 of y-axis) of the corresponding PC board.

IC 301 (A, 91, 111) IC NJM2068V

- The expression of the unit in this manual is shown by u instead of μ . Please do not make a mistake.

	<u>Circuit Symbol and No.</u>	<u>Part No.</u>	<u>Circuit Symbol and No.</u>	<u>Part No.</u>
A:	DEH-150MP/XNUC		IC 671 (A,131,75) IC	S-80827CNMC-B8M
B:	DEH-150MP/XNEW5		IC 681 (A,114,94) Flash ROM Unit(A)	PEB047A8
C:	DEH-150MPG/XNEW5		(A,114,94) Flash ROM Unit(B,C,D,E,F)	PEB046A8
D:	DEH-155MP/XNES		IC 801 (A,104,18) L-MOS And Gate	TC7SET08FUS1
E:	DEH-155MP/XNES1		IC 911 (A,145,28) IC	BA49183-V12
F:	DEH-155MPG/XNES		IC 961 (A,131,110) IC	TPD1052F
Unit Number :	QWM3491(A)		Q 252 (A,23,131) Chip Transistor	RN1910
Unit Number :	QWM3489(B)		Q 301 (A,87,125) Chip Transistor	RN4983
Unit Number :	QWM3490(C)		Q 302 (A,127,104) Transistor	LTC014YEB
Unit Number :	QWM3493(D,E)		Q 751 (A,142,139) Transistor	2SD2396
Unit Number :	QWM3494(F)		Q 752 (A,142,133) Chip Transistor	RN4983
Unit Name :	Tuner Amp Unit		Q 873 (A,149,72) Transistor	2SD1767
Unit Number :			Q 874 (A,149,65) Chip Transistor	RN4983
Unit Name :	Keyboard Unit		Q 875 (A,147,54) Transistor	LTC043EEB
Unit Number :	CWX4023		Q 941 (A,96,121) Transistor	LSCR523UB
Unit Name :	CD Core Unit (S11.6STD)		Q 951 (A,123,110) Transistor(B,C)	LSAR523UB
			D 301 (A,102,125) Diode	CRG03
			D 302 (A,90,121) Diode	CRG03
			D 401 (A,158,107) Diode	RN731VN
			D 402 (A,158,100) Diode	RN731VN
			D 751 (A,138,135) Diode	RKZ8.2KG(B2)
			D 802 (A,92,17) Diode	DZ2S068C
			D 803 (A,126,15) Diode	DZ2S068C
			D 804 (A,119,14) Diode	DZ2S068C
			D 805 (A,120,14) Diode	DZ2S068C
			D 871 (A,148,61) Diode	RKZ7.5KG(B2)
			D 901 (A,141,127) Diode	1SR154-400
			D 902 (A,137,127) Diode	1SR154-400
			D 911 (A,158,66) Diode	CRG03
			D 912 (A,161,66) Diode	CRG03
			D 941 (A,93,125) Diode(A,D,E,F)	HZU7L(A1)
			(A,93,125) Diode(B,C)	HZU7L(C3)
			D 951 (A,123,113) Diode(B,C)	1SS301
			L 202 (A,94,102) Inductor	CTF1793
			L 401 (A,155,104) Chip Coil	LCTAWR27J2520
			L 402 (A,159,104) Chip Coil	LCTAWR15J2520
			L 403 (A,151,102) Inductor	CTF1786
			L 404 (A,146,102) Inductor	CTF1786
			L 405 (A,151,108) Inductor(A)	LCYB68NJ1608
			L 406 (A,147,105) Inductor(A,B,C)	CTF1389
			IC 201 (A,101,107) LSI	PM9013A
			IC 301 (A,78,142) IC	PAL011A
			IC 401 (A,150,91) IC	TDA7706
			IC 601 (A,110,77) IC	R5S726A0D216FP

MISCELLANEOUS

5		6		7		8	
<u>Circuit Symbol and No.</u>		<u>Part No.</u>		<u>Circuit Symbol and No.</u>		<u>Part No.</u>	
L 407	(A,147,107) Chip Coil(D,E,F)	LCTAWR27J2520	R 540	(A,97,85)	RS1/16SS473J		
L 408	(A,141,104) Inductor(A,B,C)	LCTAW4R7J2520	R 602	(A,107,63)	RS1/16SS473J		
	(A,141,104) Chip Coil(D,E,F)	LCTAW1R5J2520	R 604	(A,116,59) (B,C)	RS1/16SS473J		
			R 609	(A,122,64)	RS1/16SS473J		A
L 409	(A,143,109) Chip Coil(D,E,F)	LCTAWR39J2520					
L 410	(A,137,94) Chip Coil(A,B,C)	LCTAW470J2520	R 610	(A,122,70)	RS1/16SS473J		
	(A,137,94) Inductor(D,E,F)	LCTAW2R2J2520	R 611	(A,124,72)	RS1/16SS473J		
L 413	(A,144,82) Inductor	CTF1786	R 613	(A,121,76)	RS1/16SS152J		
L 414	(A,153,80) Inductor(B,C)	CTF1786	R 614	(A,122,78)	RS1/16SS473J		
			R 615	(A,130,79)	RS1/16SS473J		
L 419	(A,161,95) Inductor	CTF1786					
L 420	(A,161,96) Inductor	CTF1786	R 616	(A,125,68)	RS1/16SS473J		
L 901	(A,112,141) Choke Coil 600 uH	CTH1432	R 617	(A,131,81)	RS1/16SS103J		
L 951	(A,122,116) Chip Coil(B,C)	BTH1101	R 618	(A,125,82) (B,F)	RS1/16SS473J		
X 401	(A,161,88) Crystal Resonator 36.48 MHz	CSS1848		(A,125,82) (D,E)	RS1/16SS103J		
X 601	(A,126,76) Crystal Resonator 12 MHz	CSS1847	R 619	(A,126,82) (A,C,D,E)	RS1/16SS473J		B
X 602	(A,117,90) Ceramic Resonator 16.934 MHz	CSS1603		(A,126,82) (F)	RS1/16SS103J		
△P251	(A,6,130) Fuse 3.0 A	CEK1386	R 622	(A,125,87)	RS1/16SS473J		
P 402	(A,155,111) Surge Absorber	HSPC16701B02	R 623	(A,130,85)	RAB4CQ473J		
VA801	(A,108,13) Varistor	EZJP0V270RM	R 625	(A,114,90)	RS1/16SS101J		
VA802	(A,101,13) Varistor	EZJP0V270RM	R 626	(A,113,90)	RS1/16SS101J		
CN701	(A,114,32) Connector	VKN1192	R 627	(A,112,88)	RS1/16SS101J		
CN801	(A,109,4) Connector	CKS6452	R 628	(A,111,90)	RS1/16SS101J		
JA251	(A,19,138) Pin Jack	CKB1056	R 629	(A,109,92)	RS1/16SS101J		
JA401	(A,158,129) Antenna Jack	YKS5041	R 630	(A,110,89)	RS1/16SS101J		
JA891	(A,42,138) Jack(B,C,D,E,F)	CKS6437	R 631	(A,107,92)	RS1/16SS473J		
JA901	(A,113,141) Connector	CKM1613	R 632	(A,105,91)	RS1/16SS473J		C
△	Fuse 10 A	YEK5001	R 633	(A,107,90)	RS1/16SS101J		
			R 634	(A,103,88)	RS1/16SS102J		
RESISTORS				R 635	(A,102,88)	RS1/16SS102J	
R 255	(A,29,132)	RS1/16SS821J	R 636	(A,100,91)	RS1/16SS473J		
R 256	(A,19,131)	RS1/16SS821J	R 637	(A,100,90)	RS1/16SS473J		
R 257	(A,28,131)	RS1/16SS223J	R 638	(A,104,92)	RS1/16SS473J		
R 258	(A,21,131)	RS1/16SS223J	R 639	(A,97,91)	RS1/16SS472J		
R 301	(A,68,127)	RS1/16SS471J					
R 302	(A,82,125)	RS1/16SS471J	R 640	(A,98,91)	RS1/16SS472J		
R 303	(A,73,127)	RS1/16SS471J	R 643	(A,99,82)	RS1/16SS104J		
R 304	(A,78,126)	RS1/16SS471J	R 644	(A,98,79)	RS1/16SS101J		
R 305	(A,88,127)	RS1/16SS103J	R 645	(A,95,79)	RS1/16SS101J		D
R 306	(A,89,129)	RS1/16SS102J	R 646	(A,92,75)	RS1/16SS103J		
R 309	(A,86,121)	RS1/16SS103J	R 647	(A,98,78)	RS1/16SS101J		
R 311	(A,86,123)	RS1/16SS473J	R 648	(A,95,76)	RS1/16SS102J		
R 312	(A,99,129)	RS1/16SS103J	R 649	(A,95,75)	RS1/16SS102J		
R 401	(A,161,106)	RS1/16SS221J	R 650	(A,95,74)	RS1/16SS102J		
R 402	(A,161,100)	RS1/16SS751J	R 651	(A,97,71)	RS1/16SS473J		
			R 653	(A,100,66)	RS1/16SS103J		
R 403	(A,139,104) (A,B,C)	RS1/16SS391J	R 661	(A,100,65) (B,C,D,E,F)	RS1/16SS473J		
	(A,139,104) (D,E,F)	RS1/16SS331J	R 662	(A,102,61) (B,C,D,E,F)	RS1/16SS473J		
R 404	(A,142,99)	RS1/16SS105J					
R 406	(A,154,108)	RS1/16SS105J	R 664	(A,133,62)	RS1/16SS103J		E
R 407	(A,139,96)	RS1/16SS330J	R 668	(A,93,71)	RS1/16SS473J		
			R 671	(A,128,70)	RS1/16SS104J		
R 408	(A,137,97) (A,B,C)	RS1/16SS471J	R 681	(A,109,97)	RS1/16SS473J		
	(A,137,97) (D,E,F)	RS1/16SS361J	R 682	(A,110,91)	RS1/16SS473J		
R 409	(A,144,98) (D,E,F)	RS1/16SS0R0J	R 683	(A,120,92)	RS1/16SS473J		
R 410	(A,141,91)	RS1/16SS0R0J					
			R 684	(A,109,94)	RS1/16SS473J		
R 411	(A,138,91) (A,B,C)	RS1/16SS681J	R 685	(A,120,96)	RS1/16SS473J		
	(A,138,91) (D,E,F)	RS1/16SS391J	R 701	(A,108,38)	RS1/16SS473J		
R 412	(A,152,78)	RS1/4SA8R2J	R 702	(A,115,37)	RS1/16SS104J		
R 413	(A,158,78)	RS1/4SA8R2J	R 703	(A,118,28)	RAB4CQ472J		
R 414	(A,139,87)	RS1/16SS0R0J					
			R 704	(A,110,41)	RS1/16SS104J		F
R 415	(A,152,80) (A,D,E,F)	RS1/16SS0R0J	R 706	(A,108,36)	RS1/16SS221J		
R 539	(A,97,83)	RS1/16SS473J	R 707	(A,109,38)	RS1/16SS221J		
			R 708	(A,110,38)	RS1/16SS101J		

1

2

3

4

Circuit Symbol and No.**Part No.****Circuit Symbol and No.****Part No.**

R 709	(A,111,38)	RS1/16SS221J	C 216	(A,92,101) 10 uF	CCG1192
			C 217	(A,95,100)	CKSSYB104K10
R 710	(A,112,38)	RS1/16SS101J			
R 711	(A,114,39)	RS1/16SS102J	C 218	(A,114,109)	XCEVW470M16
R 715	(A,116,36)	RS1/16SS151J	C 219	(A,112,103) 10 uF	CCG1192
R 716	(A,117,36)	RS1/16SS151J	C 220	(A,106,98) 10 uF	CCG1192
R 717	(A,119,36)	RS1/16SS151J	C 223	(A,91,101)	CKSSYB102K50
R 718	(A,122,36)	RS1/16SS221J	C 224	(A,115,103)	CKSSYB104K10
R 719	(A,121,36)	RS1/16SS104J	C 229	(A,110,112)	CKSSYB102K50
R 752	(A,145,135)	RS1/10SR821J	C 236	(A,110,104)	CKSRYB105K10
R 753	(A,127,91)	RS1/16SS473J	C 255	(A,35,132) 4.7 uF	CCG1201
R 754	(A,127,92)	RS1/16SS103J	C 256	(A,30,130) 4.7 uF	CCG1201
R 801	(A,124,22)	RS1/10SR222J	C 257	(A,26,131)	CCSSCH101J50
R 803	(A,121,17)	RS1/16SS223J	C 258	(A,20,131)	CCSSCH101J50
R 804	(A,118,17)	RS1/16SS223J	C 261	(A,6,133) (A,D,E,F)	CCSSCH101J50
R 805	(A,121,19)	RS1/10SR101J		(A,6,133) (B,C)	CKSSYB102K50
R 806	(A,118,20)	RS1/10SR101J	C 301	(A,69,129)	CKSRYB224K16
			C 303	(A,80,129)	CKSRYB224K16
R 807	(A,119,20)	RS1/10SR101J			
R 808	(A,124,20)	RS1/10SR222J	C 305	(A,72,129)	CKSRYB224K16
R 813	(A,107,16)	RS1/10SR222J	C 307	(A,77,129)	CKSRYB224K16
R 814	(A,101,19)	RS1/10SR222J	C 313	(A,83,130)	CKSRYB105K16
R 815	(A,100,19)	RS1/16SS822J	C 314	(A,135,126)	CKSRYB104K16
			C 317	(A,60,129)	XCEVW100M16
R 816	(A,96,19)	RS1/10SR222J			
R 817	(A,95,19)	RS1/10SR222J	C 322	(A,104,126)	CKSRYB104K16
R 851	(A,93,20)	RS1/16SS472J	C 327	(A,87,129)	CKSRYB105K16
R 874	(A,147,58)	RS1/10SR391J	C 402	(A,155,101)	CKSSYB103K16
			C 403	(A,152,102)	CKSRYB105K10
R 875	(A,149,58)	RS1/10SR473J	C 405	(A,162,101)	CKSSYB103K16
R 877	(A,121,27)	RS1/16SS1R0J			
R 878	(A,124,26)	RS1/10SR473J	C 406	(A,160,101)	CKSSYB103K16
R 879	(A,156,67)	RS1/10SR122J	C 408	(A,161,105)	CKSSYB103K16
R 891	(A,58,138) (B,C,D,E,F)	RS1/16SS102J	C 409	(A,156,105)	CCSSCH6R0D50
R 892	(A,58,136) (B,C,D,E,F)	RS1/16SS102J	C 410	(A,155,107)	CCSSCH330J50
			C 411	(A,148,99)	CKSSYB103K16
R 911	(A,145,40)	RS1/10SR1R0J			
R 912	(A,141,41)	RS1/10SR1R0J	C 412	(A,148,101)	CKSSYB104K10
R 941	(A,94,121)	RS1/16SS223J	C 413	(A,150,101)	CKSSYB104K10
R 942	(A,94,122)	RS1/16SS473J	C 414	(A,145,100)	CKSSYB103K16
R 943	(A,95,125) (A,D,E,F)	RS1/16SS472J	C 415	(A,144,101) 10 uF	CCG1192
	(A,95,125) (B,C)	RS1/16SS473J	C 416	(A,147,100)	CKSSYB104K10
R 944	(A,98,123)	RS1/4SA102J	C 418	(A,142,101)	CKSSYB223K16
R 951	(A,126,115) (B,C)	RS1/16SS102J	C 419	(A,146,110) (D,E,F)	CCSSCH150J50
R 952	(A,121,111) (B,C)	RS1/16SS223J	C 420	(A,150,106) (B,C,D,E,F)	CKSSYB103K16
R 953	(A,125,115) (B,C)	RS1/16SS153J	C 421	(A,154,111) (A)	CCSSCJ3R0C50
R 961	(A,127,112)	RS1/16SS103J	C 423	(A,144,106) (D,E,F)	CCSSCH8R0D50
R 962	(A,130,113)	RS1/16SS103J	C 424	(A,140,101)	CKSSYB103K16
R 963	(A,129,112)	RS1/16SS105J	C 425	(A,138,99) 10 uF	CCG1192
			C 426	(A,139,97)	CKSSYB104K10
			C 427	(A,144,97)	CKSSYB104K10
			C 428	(A,137,96) (A,B,C)	CCSSCH101J50
				(A,137,96) (D,E,F)	CCSSCH220J50

CAPACITORS

C 201	(A,96,115)	CKSRYB105K10			
C 202	(A,104,116)	CKSRYB105K10			
C 203	(A,92,116)	CKSRYB105K10	C 429	(A,136,96)	CKSSYB103K16
C 204	(A,107,115)	CKSRYB105K10	C 430	(A,139,90) 1 uF(A)	DCH1246
C 205	(A,94,116)	CKSRYB105K10	C 432	(A,138,92) (A,B,C)	CCSSCH820J50
				(A,138,92) (D,E,F)	CCSSCK2R0C50
C 206	(A,107,114)	CKSRYB105K10	C 433	(A,136,91) 1 uF(A)	DCH1246
C 207	(A,94,108)	CKSSYB104K10			
C 208	(A,94,106)	CKSSYB104K10	C 435	(A,139,86)	CKSRYB474K10
C 209	(A,93,104) 10 uF	CCG1192	C 436	(A,140,84) (D,E,F)	CKSSYB104K10
C 212	(A,108,109) 10 uF	CCG1192	C 439	(A,145,80) (D,E,F)	CKSRYB104K16
			C 440	(A,142,86)	CKSSYB102K50
C 213	(A,108,106)	CKSSYB104K10	C 441	(A,137,89) (A)	CCSSCH100D50
C 214	(A,108,104)	CKSSYB104K10	C 442	(A,146,83)	CKSSYB104K10
C 215	(A,108,102)	CKSSYB104K10			
			C 444	(A,152,82) 2.2 uF	CCG1218

1

2

3

4

1
Circuit Symbol and No.

2
Part No.

3
Circuit Symbol and No.

4
Part No.

RESISTORS

A	R 1801	(B,82,13)	RS1/10SR473J
	R 1802	(B,73,20)	RS1/10SR473J
	R 1803	(B,75,24)	RS1/10SR222J
	R 1804	(B,75,22)	RS1/10SR0R0J
	R 1805	(B,58,29)	RS1/10SR473J
	R 1806	(B,60,30)	RS1/10SR473J
	R 1807	(B,60,31)	RS1/10SR473J
	R 1808	(B,58,32)	RS1/10SR473J
	R 1823	(B,50,23)	RS1/10SR273J
	R 1931	(B,43,11)	RS1/10SR222J
	R 1932	(B,45,11)	RS1/10SR222J
B	R 1941	(B,128,25) (B,C)	RS1/10SR473J
	R 1944	(B,133,27) (A,D,E,F)	RS1/10SR101J
	R 1951	(B,56,16)	RS1/4SA221J
	R 1952	(B,56,18)	RS1/4SA221J
	R 1953	(B,17,27) (C,F)	RS1/4SA561J
	R 1954	(B,12,34) (C,F)	RS1/10SR182J
	R 1956	(B,19,26) (C,F)	RS1/4SA681J
	R 1958	(B,24,7) (C,F)	RS1/4SA681J
	R 1960	(B,20,20) (C,F)	RS1/4SA391J
	R 1962	(B,11,10) (C,F)	RS1/10SR0R0J
	R 1963	(B,19,18) (C,F)	RS1/10SR182J
C	R 1965	(B,22,16) (C,F)	RS1/4SA681J
	R 1967	(B,21,12) (C,F)	RS1/4SA681J
	R 1969	(B,145,19) (C,F)	RS1/4SA681J
	R 1971	(B,11,32) (A,B,D,E)	RS1/4SA681J
	R 1973	(B,52,16) (A,B,D,E)	RS1/4SA102J
	R 1976	(B,16,13) (A,B,D,E)	RS1/4SA681J
	R 1978	(B,24,10) (A,B,D,E)	RS1/4SA821J
	R 1980	(B,56,13) (A,B,D,E)	RS1/4SA102J
	R 1982	(B,143,19) (A,B,D,E)	RS1/4SA102J
	R 1984	(B,47,10) (C,F)	RS1/10SR0R0J
	R 1989	(B,54,9) (A,B,D,E)	RS1/10SR0R0J
D	R 1990	(B,19,22) (A,B,D,E)	RS1/4SA821J
	R 1993	(B,14,18) (A,B,D,E)	RS1/10SR0R0J

R 101	(B,6,57)	RS1/10SR2R4J
R 102	(B,8,57)	RS1/10SR2R4J
R 103	(B,9,57)	RS1/10SR2R7J
R 108	(B,18,55)	RS1/16SS105J
R 109	(B,12,50)	RS1/16SS222J
R 201	(A,24,11)	RS1/16SS0R0J
R 202	(A,23,9)	RS1/16SS0R0J
R 214	(B,18,28)	RS1/16SS103J
R 215	(B,17,28)	RS1/16SS393J
R 216	(B,12,35)	RS1/16SS122J
R 217	(B,10,32)	RS1/16SS562J
R 218	(B,10,35)	RS1/16SS472J
R 229	(B,12,34)	RS1/16SS471J
R 232	(A,31,54)	RS1/16SS0R0J
R 237	(B,33,45)	RS1/16SS221J
R 240	(B,34,40)	RS1/16SS473J
R 245	(A,34,46)	RS1/16SS104J
R 254	(A,37,56)	RS1/16SS104J
R 260	(B,30,27)	RS1/16SS103J
R 264	(A,22,9)	RS1/16SS102J
R 281	(B,33,38)	RS1/16SS560J
R 282	(B,33,39)	RS1/16SS560J
R 283	(B,35,38)	RS1/16SS0R0J
R 291	(B,33,34)	RS1/16SS560J
R 292	(B,33,36)	RS1/16SS0R0J
R 293	(B,35,39)	RS1/16SS0R0J
R 294	(B,27,48)	RS1/16SS471J
R 296	(B,34,43)	RS1/16SS0R0J
R 301	(A,27,9)	RS1/16SS0R0J
R 302	(A,28,9)	RS1/16SS0R0J
R 303	(A,27,11)	RS1/16SS123J
R 304	(A,28,11)	RS1/16SS123J
R 305	(A,26,9)	RS1/16SS102J
R 306	(A,26,11)	RS1/16SS472J
R 307	(A,25,9)	RS1/16SS102J
R 308	(A,25,11)	RS1/16SS472J
R 309	(A,35,6)	RS1/16SS473J
R 310	(B,30,9)	RS1/16SS472J
R 311	(B,30,10)	RS1/16SS472J
R 312	(B,30,11)	RS1/16SS472J
R 313	(B,30,12)	RS1/16SS472J
R 701	(A,21,38)	RS1/16SS101J
R 702	(A,23,38)	RS1/16SS101J
R 706	(A,32,42)	RS1/16SS221J
R 708	(B,28,26)	RS1/16SS0R0J
R 709	(B,29,28)	RS1/16SS0R0J

CAPACITORS

C 1806	(B,66,23)	CKSRYB104K16
C 1807	(B,71,20)	CKSRYB105K10
C 1941	(B,137,30) 10 uF(A,D,E,F)	CCG1192

C

Unit Number: CWX4023

Unit Name : CD Core Unit (S11.6STD)

MISCELLANEOUS

IC 201	(B,23,37) IC	PE5791A
IC 301	(A,37,11) IC	BD8223EFV
Q 101	(B,11,53) Transistor	2SA1577
Q 102	(B,15,54) Transistor	LTA123JUB
X 201	(B,25,49) Ceramic Resonator	16.934 MHz CSS1603
S 901	(A,42,53) Spring Switch(HOME)	CSN1080
S 903	(B,21,12) Spring Switch(DSCSNS)	CSN1081
F CN101	(A,16,58) Connector	CKS4808
CN701	(A,25,29) Connector	CKS6146

CAPACITORS

C 104	(B,12,57)	CKSQYB475K6R3
C 203	(B,22,47)	CKSSYB104K10
C 209	(B,28,47)	CKSRYB104K16
C 210	(B,33,43)	CKSSYB104K10
C 211	(B,33,41)	CKSSYB104K10
C 212	(B,22,28)	CKSSYB104K10
C 213	(B,18,26)	CKSSYB332K50
C 214	(B,17,26)	CKSSYB473K16
C 215	(B,19,28)	CKSSYB104K10
C 216	(B,12,33)	CKSSYB182K50

RESISTORS

Circuit Symbol and No.

Part No.

C 217	(B,10,34)	CCSSCH560J50
C 218	(B,10,36)	CCSSCH4R0C50
C 219	(B,14,34)	CKSSYB104K10
C 220	(A,18,38)	CKSSYB104K10
C 221	(B,14,32)	CKSSYB104K10
C 222	(B,13,37)	CKSSYB104K10
C 223	(B,12,42)	CCSSCH680J50
C 224	(B,13,45)	CCSSCH470J50
C 225	(B,13,46)	CKSSYB103K16
C 228	(B,10,33)	CCSSCH270J50
C 229	(B,9,40)	CKSSYB104K10
C 233	(B,32,46)	CKSSYB103K16
C 236	(B,8,40)	CKSSYB104K10
C 238	(A,25,44)	CKSRYB104K16
C 299	(A,26,41)	CKSSYB104K10
C 302	(B,28,12)	CKSSYB102K50
C 303	(B,29,12)	CKSSYB102K50
C 304	(B,27,12)	CKSSYB223K16
C 305	(B,26,12)	CKSSYB104K10
C 306	(A,31,7)	CKSSYB104K10
C 307	(A,41,19)	CKSRYB105K10
C 308	(A,31,15)	CKSRYB105K10
C 710	(A,34,42)	CKSSYB102K50

Miscellaneous Parts List

	Pickup Unit(P10.6)(Service)	CXX3556
M 1	Motor Unit(SPDL)	CXE2273
M 2	Motor Unit(LOAD/CRG)	CXC4026