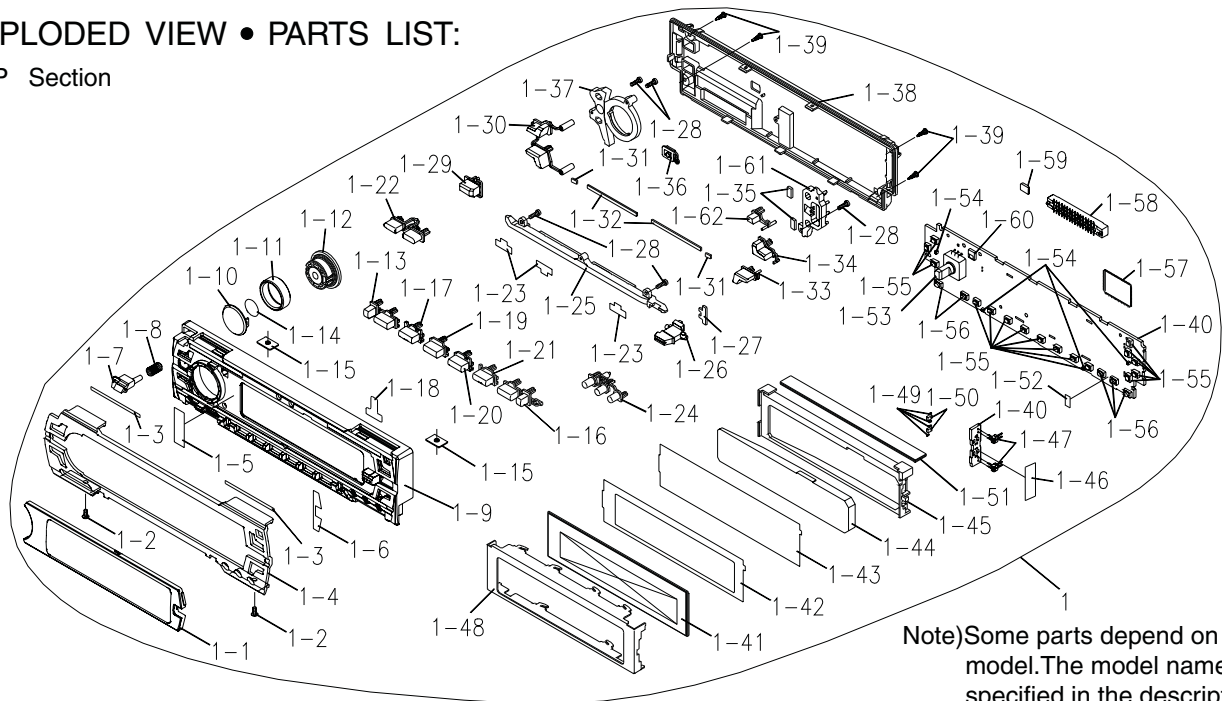


EXPLODED VIEW • PARTS LIST:

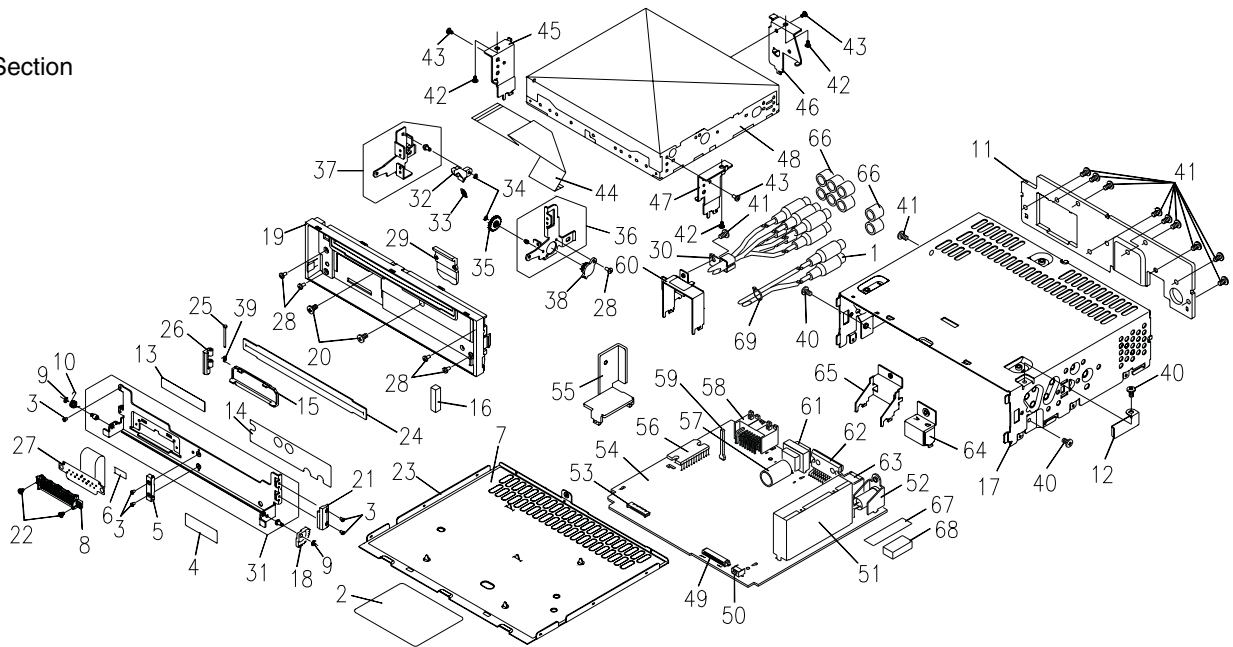
DCP Section



Note) Some parts depend on each model. The model name is specified in the description.

NO.	PARTS NO.	DESCRIPTION	Q'TY	NO.	PARTS NO.	DESCRIPTION	Q'TY
1	DCP-420-600	DCP ASSY(PE-2561B-A)	1	1-30	382-6616-00	BUTTON	1
	DCP-430-800	DCP ASSY(PE-2561K-A/B)	1	1-31	345-5308-00	CUSHION	2
1-1	373-1001-00	DIAL-CVR	1	1-32	345-5307-00	CUSHION	2
1-2	716-3443-01	SCREW	2	1-33	382-6650-00	BUTTON	1
1-3	347-6980-00	DOUBLE FACE	2	1-34	382-6617-00	BUTTON	1
1-4	371-5736-00	FACE PANEL(PE-2561B-A)	1	1-35	345-5316-00	CUSHION	2
	371-5736-09	FACE PANEL (PE-2561K-A/B)	1	1-36	382-6109-00	BUTTON	1
1-5	347-6978-00	DOUBLE FACE	1	1-37	335-6901-00	ILLUMI PLATE	1
1-6	347-6979-00	DOUBLE FACE	1	1-38	335-6899-00	REAR-CVR	1
1-7	382-6628-00	BUTTON	1	1-39	716-0872-12	PAD SCREW	4
1-8	750-6720-00	SPRING	1	1-40	039-2302-00	SWITCH PWB (WITHOUT COMPONENT)	1
1-9	370-6030-00	ESCUTCHEON	1	1-41	379-1257-51	INDICATOR	1
1-10	380-5553-00	KNOB	1	1-42	347-6984-00	FILM	1
1-11	345-5228-00	RUBBER RING	1	1-43	347-6985-00	FILM	1
1-12	380-5552-00	INNER KNOB	1	1-44	335-6880-00	ILLUMI PLATE	1
1-13	382-6620-00	BUTTON	1	1-45	335-6879-00	LCD HOLDER	1
1-14	347-6988-00	DOUBLE FACE	1	1-46	347-6986-00	SHADE	1
1-15	331-3576-00	SCREW PLATE	2	1-47	076-0708-02	PLUG	2
1-16	382-6680-00	BUTTON	1	1-48	331-3557-00	LCD-CVR	1
1-17	382-6621-00	BUTTON	1	1-49	001-7062-93	DIODE	4
1-18	347-6987-00	SURGE FILM	1	1-50	001-7040-92	DIODE	2
1-19	382-6622-00	BUTTON	1	1-51	345-5310-00	RUBBER PART	1
1-20	382-6623-00	BUTTON	1	1-52	347-7016-00	DOUBLE FACE	1
1-21	382-6679-00	BUTTON	1	1-53	016-9900-85	VR W/SHAFT	1
1-22	382-6619-00	BUTTON	1	1-54	001-7071-90	DIODE	4
1-23	347-6981-00	SHADE	3	1-55	013-6312-50	SWITCH	16
1-24	382-6624-00	BUTTON	1	1-56	013-6507-50	SWITCH	5
1-25	335-6975-00	ILLUMI PLATE	1	1-57	051-6063-00	IC	1
1-26	382-6627-00	BUTTON	1	1-58	076-0647-00	PLUG	1
1-27	345-5309-00	CUSHION	1	1-59	013-6511-50	EJECT SWITCH	1
1-28	716-0872-01	PAD SCREW	5	1-60	060-4017-90	IR-RECEIVER	1
1-29	382-6618-00	BUTTON	1	1-61	335-6900-00	ILLUMI PLATE	1
				1-62	382-6625-00	BUTTON	1

Main Section



NO.	PARTS NO.	DESCRIPTION	QTY	NO.	PARTS NO.	DESCRIPTION	QTY
1	855-5479-50	RCA-PIN-CORD	1	35	613-0683-00	GEAR	1
2	286-6178-00	SETPLATE (PE-2561B-A)	1	36	946-0082-00	ARM-R-ASSY	1
	286-6213-00	SETPLATE (PE-2561K-A)	1	37	946-0083-00	ARM-L-ASSY	1
	286-6214-00	SETPLATE (PE-2561K-B)	1	38	613-0687-00	GEAR DAMPER	1
3	738-1722-17	SCREW(M1.7x2.2)	5	39	750-3454-00	SPRING	1
4	291-0092-00	STICKER	1	40	731-3006-80	TAPTIGHT(M3x6)	3
5	335-6502-00	SLIDER	1	41	714-3006-81	MACHINE SCREW(M3x6)	11
6	347-6356-00	DOUBLE FACE	1	42	714-3004-81	MACHINE SCREW(M3x4)	3
7	347-6880-01	INSULATOR	1	43	714-2603-80	MACHINE SCREW(M2.6x3)	3
8	074-1278-01	OUTLET SOCKET	1	44	816-2623-50	FALT WIRE	1
9	743-1500-10	E-RING	2	45	331-3570-00	MECH-SUB-BRKT	1
10	750-3342-21	SPRING	1	46	331-3427-00	MECH BRKT	1
11	313-1866-00	HEAT SINK	1	47	331-3569-00	MECH-SUB-BRKT	1
12	331-2744-00	STOPPER	1	48	929-0240-81	CD-MECH-MODULE	1
13	347-7008-00	FPC SUPPORT	1	49	074-1318-68	OUTLET SOCKET	1
14	290-7995-00	LABEL	1	50	013-6103-00	TACT SWITCH	1
15	335-6499-00	CN-CVR	1	51	880-2090B	TUNER	1
16	345-8607-00	CUSHION	1	52	092-4000-51	ANT-RECEPT	1
17	303-0485-01	UPPER CASE	1	53	074-1237-70	OUTLET SOCKET	1
18	613-0684-00	FAN GEAR	1	54	039-2303-00	MAIN PWB (WITHOUT COMPONENT)	1
19	370-6025-00	INNER-ES	1	55	313-1867-00	HEAT SINK	1
20	780-2607-02	SCREW(M2.6x7)	2	56	051-3297-10	IC	1
21	335-6500-01	HOOK	1	57	042-0447-00	ALUMI-ELE-C	1
22	716-3444-00	SCREW	2	58	074-1214-00	OUTLET SOCKET	1
23	311-1859-02	LOWER CASE	1	59	321-0969-00	CLAMP	1
24	346-0097-00	LEATHER SHEET	1	60	331-3561-02	CONNECTOR HOLDER	1
25	341-1764-00	SHAFT	1	61	009-9006-60	CHOKE	1
26	335-6501-01	HOOK DCP	1	62	051-2050-00	IC	1
27	039-1862-01	FPC (WITHOUT COMPONENT)	1	63	074-1194-00	OUTLET SOCKET	1
28	780-2004-01	SCREW(M2x4)	5	64	331-3567-00	CONNECTOR HOLDER	1
29	335-6886-00	ILLUMI PLATE	1	65	331-3560-01	IC HOLDER	1
30	855-5478-50	RCA PIN CORD	1	66	345-3799-20	RUBBER CAP	8
31	946-0084-00	HOLDER ASSY	1	67	347-6341-00	E-SHEET	1
32	335-6887-00	HOOK LOCK	1	68	345-5312-00	CUSHION	1
33	750-3341-00	SPRING	1	69	335-0833-01	LEAD HOLDER	1
34	746-0761-00	WASHER	2				

ELECTRICAL PARTS LIST:

Main PWB (B1) section

REF No.	PART No.	DESCRIPTION	REF No.	PART No.	DESCRIPTION	REF No.	PART No.	DESCRIPTION
ANT1	092-4000-51	ANT-RECEPT	C200	172-2231-15	50V 0.022uF	C529	168-1032-55	50V 0.01uF
BL1	880-2090B	TUNER	C201	042-0447-00	16V 2200uF	C530	168-1042-78	25V 0.1uF
C1	166-2201-50	50V 22pF CH	C203	182-1063-35	16V 10uF	C531	184-2273-21	10V 220uF
C2	168-1032-55	50V 0.01uF	C205	182-4763-35	16V 47uF	C532	182-1063-35	16V 10uF
C3	166-2201-50	50V 22pF CH	C206	182-1073-35	16V 100uF	C535	166-1007-50	50V 10pF
C4	166-2096-50	50V 2pF	C207	182-1063-35	16V 10uF	C536	166-1007-50	50V 10pF
C5	182-3353-65	50V 3.3uF	C208	182-2263-35	16V 22uF	C600	168-1032-55	50V 0.01uF
C9	182-4763-35	16V 47uF	C209	182-2263-15	6.3V 22uF	C601	042-0650-00	5.5V 0.1F
C10	168-2232-55	25V 0.022uF	C210	182-1063-35	16V 10uF	C603	168-1032-55	50V 0.01uF
C11	168-1032-55	50V 0.01uF	C211	168-1032-55	50V 0.01uF	C605	042-0577-00	6.3V 100uF
C13	168-2232-55	25V 0.022uF	C212	182-2273-15	6.3V 220uF	C606	168-1022-55	50V 1000pF
C16	168-2232-55	25V 0.022uF	C213	182-1073-35	16V 100uF	C607	168-1032-55	50V 0.01uF
C17	168-2232-55	25V 0.022uF	C214	182-1073-15	6.3V 100uF	C608	168-1032-55	50V 0.01uF
C18	168-1022-55	50V 1000pF	C215	182-1063-35	16V 10uF	C609	168-4732-78	25V 0.047uF
C19	166-2701-50	50V 27pF CH	C216	042-0631-50	10V 100uF	C610	166-1011-50	50V 100pF
C20	166-1201-50	50V 12pF CH	C217	182-4763-35	16V 47uF	C612	182-1063-35	16V 10uF
C21	168-1022-55	50V 1000pF	C218	172-2231-15	50V 0.022uF	C619	168-1022-55	50V 1000pF
C24	182-1073-35	16V 100uF	C219	166-1011-50	50V 100pF	C620	168-1022-55	50V 1000pF
C25	182-4763-35	16V 47uF	C300	168-4722-55	50V 4700pF	D100	001-0466-90	S5688B
C29	166-1011-50	50V 100pF	C301	168-4722-55	50V 4700pF	D101	001-0466-90	S5688B
C30	166-1011-50	50V 100pF	C302	182-2253-65	50V 2.2uF	D102	001-0466-90	S5688B
C32	166-1011-50	50V 100pF	C303	182-2253-65	50V 2.2uF	D103	001-0466-90	S5688B
C33	166-3311-50	50V 330pF	C306	182-2253-65	50V 2.2uF	D104	001-0466-90	S5688B
C34	168-1022-55	50V 1000pF	C307	182-2253-65	50V 2.2uF	D105	001-0466-90	S5688B
C36	182-1053-65	50V 1uF	C308	182-1063-35	16V 10uF	D106	001-0466-90	S5688B
C40	168-1832-55	25V 0.018uF	C309	182-1063-35	16V 10uF	D107	001-0466-90	S5688B
C41	182-4763-15	6.3V 47uF	C310	182-1063-35	16V 10uF	D201	001-0592-00	RM4Z
C43	168-1032-55	50V 0.01uF	C311	182-1063-35	16V 10uF	D202	001-0516-90	MA111
C47	168-2732-55	25V 0.027uF	C312	168-4732-78	25V 0.047uF	D203	001-0466-90	S5688B
C48	168-2732-55	25V 0.027uF	C313	168-4732-78	25V 0.047uF	D204	001-0516-90	MA111
C100	182-2263-15	6.3V 22uF	C314	182-1053-65	50V 1uF	D205	001-0516-90	MA111
C101	182-2263-15	6.3V 22uF	C450	182-2263-15	6.3V 22uF	D206	001-0516-90	MA111
C102	182-2263-15	6.3V 22uF	C451	182-2263-15	6.3V 22uF	D207	001-0466-90	S5688B
C103	182-2263-15	6.3V 22uF	C452	182-2263-15	6.3V 22uF	D208	001-0347-32	MA4056M
C104	172-1041-15	50V 0.1uF	C453	182-2263-15	6.3V 22uF	D209	001-0466-91	S5688G
C105	178-2242-78	25V 0.22uF	C454	182-2263-15	6.3V 22uF	D210	001-0466-91	S5688G
C106	178-2242-78	25V 0.22uF	C455	182-2263-15	6.3V 22uF	D211	001-0466-91	S5688G
C107	178-2242-78	25V 0.22uF	C456	182-2263-15	6.3V 22uF	D214	001-0516-90	MA111
C108	178-2242-78	25V 0.22uF	C457	182-2263-15	6.3V 22uF	D500	001-0516-90	MA111
C109	172-1041-15	50V 0.1uF	C458	182-2263-15	6.3V 22uF	D501	001-0516-90	MA111
C110	172-1041-15	50V 0.1uF	C459	182-2263-15	6.3V 22uF	D502	001-0516-90	MA111
C111	172-1041-15	50V 0.1uF	C500	182-2253-65	50V 2.2uF	D503	001-0516-90	MA111
C112	182-4763-35	16V 47uF	C501	182-2253-65	50V 2.2uF	D504	001-0529-43	MA8082L
C113	182-2263-35	16V 22uF	C502	182-2253-65	50V 2.2uF	D600	001-0516-90	MA111
C114	172-1041-15	50V 0.1uF	C505	182-2253-65	50V 2.2uF	D602	001-7062-90	RBR1111C
C115	172-1041-15	50V 0.1uF	C506	182-2253-65	50V 2.2uF	IC101	051-2050-00	LA47532
C116	172-1041-15	50V 0.1uF	C507	182-2253-65	50V 2.2uF	IC2	051-6212-08	LC72191JM
C117	182-3353-65	50V 3.3uF	C508	182-1063-35	16V 10uF	IC200	051-3297-10	BA4916-V2
C118	172-1041-15	50V 0.1uF	C509	182-1073-35	16V 100uF	IC302	051-0350-93	NJM4558M
C123	166-4711-50	50V 470pF	C510	168-1042-78	25V 0.1uF	IC501	051-5030-90	M61523FP
C124	166-4711-50	50V 470pF	C512	166-1007-50	50V 10pF	IC503	051-0350-93	NJM4558M
C125	166-4711-50	50V 470pF	C513	166-1007-50	50V 10pF	IC504	051-5830-90	UPC5701GR
C126	166-4711-50	50V 470pF	C516	166-1007-50	50V 10pF	IC600	052-3382-00	M30624MGA-157GP
C127	166-4711-50	50V 470pF	C517	166-1007-50	50V 10pF	IC601	051-5437-08	S-80821ANMP
C128	166-4711-50	50V 470pF	C518	166-1007-50	50V 10pF	IC602	051-6600-38	CA0008AM
C129	166-4711-50	50V 470pF	C519	166-1007-50	50V 10pF	IC603	051-5443-08	BD4580G
C130	166-4711-50	50V 470pF	C521	182-1063-35	16V 10uF	J201	074-1214-00	SMK16P
C132	166-1011-50	50V 100pF	C522	182-1063-35	16V 10uF	J600	074-1194-00	OUTLET SOCKET
C133	166-1011-50	50V 100pF	C523	168-1032-55	50V 0.01uF	J601	074-1318-68	OUTLET SOCKET
C134	166-1011-50	50V 100pF	C524	168-1032-55	50V 0.01uF	J900	074-1237-70	OUTLET SOCKET
C135	166-1011-50	50V 100pF	C527	168-1032-55	50V 0.01uF	L1	010-2003-04	COIL

REF No.	PART No.	DESCRIPTION	REF No.	PART No.	DESCRIPTION	REF No.	PART No.	DESCRIPTION
L2	010-2230-88	220uH	R15	119-1021-15	1/16W 1Kohm	R317	119-1021-15	1/16W 1Kohm
L200	010-2230-64	2.2uH	R16	119-1231-15	1/16W 12Kohm	R318	119-1021-15	1/16W 1Kohm
L401	010-2230-76	22uH	R17	119-5631-15	1/16W 56Kohm	R319	119-1041-15	1/16W 100Kohm
L601	010-3100-66	2.2uH	R25	119-1041-15	1/16W 100Kohm	R320	119-8221-15	1/16W 8.2Kohm
L602	010-3100-66	2.2uH	R26	119-3331-15	1/16W 33Kohm	R450	119-2231-15	1/16W 22Kohm
L603	010-3100-66	2.2uH	R27	119-0000-05	0	R451	119-2231-15	1/16W 22Kohm
L604	010-3100-66	2.2uH	R28	119-1021-15	1/16W 1Kohm	R452	119-2231-15	1/16W 22Kohm
L605	010-3100-66	2.2uH	R30	119-1021-15	1/16W 1Kohm	R453	119-2231-15	1/16W 22Kohm
L606	010-3100-66	2.2uH	R31	119-1021-15	1/16W 1Kohm	R454	119-2231-15	1/16W 22Kohm
L607	010-3100-66	2.2uH	R32	119-1521-15	1/16W 1.5Kohm	R455	119-2231-15	1/16W 22Kohm
L608	010-2323-53	2.2uF	R33	119-1031-15	1/16W 10Kohm	R456	119-2231-15	1/16W 22Kohm
Q1	192-2712-51	2SC2712GR	R34	119-1031-15	1/16W 10Kohm	R457	119-2231-15	1/16W 22Kohm
Q2	192-2712-51	2SC2712GR	R35	119-0000-05	0	R458	119-3311-15	1/16W 330ohm
Q4	125-2199-93	KRC103S	R36	119-1031-15	1/16W 10Kohm	R459	119-3311-15	1/16W 330ohm
Q7	190-1162-00	2SA1162	R37	119-1521-15	1/16W 1.5Kohm	R460	119-3311-15	1/16W 330ohm
Q8	190-1162-00	2SA1162	R100	119-1231-15	1/16W 12Kohm	R461	119-3311-15	1/16W 330ohm
Q200	193-1858-00	2SD1858	R101	119-2291-15	1/16W 2.2ohm	R462	119-3311-15	1/16W 330ohm
Q201	125-2199-96	KRC106S	R102	119-2291-15	1/16W 2.2ohm	R463	119-3311-15	1/16W 330ohm
Q202	190-1298-00	2SA1298	R103	119-2291-15	1/16W 2.2ohm	R464	119-3311-15	1/16W 330ohm
Q203	192-2712-00	2SC2712	R104	119-2291-15	1/16W 2.2ohm	R465	119-3311-15	1/16W 330ohm
Q204	190-1162-00	2SA1162	R105	119-2291-15	1/16W 2.2ohm	R466	119-1021-15	1/16W 1Kohm
Q205	193-1858-00	2SD1858	R106	119-1031-15	1/16W 10Kohm	R467	119-1021-15	1/16W 1Kohm
Q206	193-1858-00	2SD1858	R107	119-2291-15	1/16W 2.2ohm	R468	119-1021-15	1/16W 1Kohm
Q207	125-2199-93	KRC103S	R108	119-2291-15	1/16W 2.2ohm	R469	119-1021-15	1/16W 1Kohm
Q208	125-0199-92	KRA102S	R109	119-2291-15	1/16W 2.2ohm	R470	119-2231-15	1/16W 22Kohm
Q211	125-2199-96	KRC106S	R110	119-1021-15	1/16W 1Kohm	R471	119-2231-15	1/16W 22Kohm
Q212	190-1298-00	2SA1298	R111	119-1021-15	1/16W 1Kohm	R472	119-3311-15	1/16W 330ohm
Q213	125-2199-93	KRC103S	R112	119-1021-15	1/16W 1Kohm	R473	119-3311-15	1/16W 330ohm
Q214	190-1162-00	2SA1162	R113	119-1021-15	1/16W 1Kohm	R474	119-1021-15	1/16W 1Kohm
Q215	193-1802-61	2SD1802	R200	119-1041-15	1/16W 100Kohm	R475	119-1021-15	1/16W 1Kohm
Q216	125-2199-93	KRC103S	R201	119-1041-15	1/16W 100Kohm	R500	119-1021-15	1/16W 1Kohm
Q217	191-1237-00	2SB1237	R202	119-5621-15	1/16W 5.6Kohm	R501	119-1021-15	1/16W 1Kohm
Q218	125-2199-93	KRC103S	R203	119-3311-15	1/16W 330ohm	R502	119-1021-15	1/16W 1Kohm
Q219	191-1237-00	2SB1237	R204	119-5631-15	1/16W 56Kohm	R503	119-1021-15	1/16W 1Kohm
Q450	193-1306-00	2SD1306	R205	119-1031-15	1/16W 10Kohm	R504	119-4721-15	1/16W 4.7Kohm
Q451	193-1306-00	2SD1306	R206	119-1031-15	1/16W 10Kohm	R505	119-4721-15	1/16W 4.7Kohm
Q452	193-1306-00	2SD1306	R207	119-1021-15	1/16W 1Kohm	R507	119-4711-15	1/16W 470ohm
Q453	193-1306-00	2SD1306	R208	119-4731-15	1/16W 47Kohm	R508	119-4711-15	1/16W 470ohm
Q454	193-1306-00	2SD1306	R209	119-1531-15	1/16W 15Kohm	R509	119-4711-15	1/16W 470ohm
Q455	193-1306-00	2SD1306	R210	119-1031-15	1/16W 10Kohm	R510	119-4711-15	1/16W 470ohm
Q456	193-1306-00	2SD1306	R211	119-4731-15	1/16W 47Kohm	R511	119-4711-15	1/16W 470ohm
Q457	193-1306-00	2SD1306	R212	119-2231-15	1/16W 22Kohm	R512	119-4711-15	1/16W 470ohm
Q458	193-1306-00	2SD1306	R213	116-2291-15	1/4WS 2.2ohm	R518	119-0000-05	0
Q459	193-1306-00	2SD1306	R214	116-2291-15	1/4WS 2.2ohm	R522	119-1021-15	1/16W 1Kohm
Q502	192-2712-00	2SC2712	R215	116-2211-15	1/4WS 220ohm	R523	119-8221-15	1/16W 8.2Kohm
Q503	125-2199-96	KRC106S	R218	116-1221-15	1/4W 1.2Kohm	R524	119-2231-15	1/16W 22Kohm
Q504	125-0002-96	RN2406	R219	119-1031-15	1/16W 10Kohm	R525	119-0000-05	0
Q505	125-0002-96	RN2406	R220	119-3321-15	1/16W 3.3Kohm	R526	119-1021-15	1/16W 1Kohm
Q506	125-0002-96	RN2406	R221	119-1031-15	1/16W 10Kohm	R530	119-3931-15	1/16W 39Kohm
Q508	125-2199-96	KRC106S	R224	119-1011-15	1/16W 100ohm	R531	119-8221-15	1/16W 8.2Kohm
Q509	125-2199-93	KRC103S	R225	119-1031-15	1/16W 10Kohm	R532	119-1021-15	1/16W 1Kohm
Q510	125-0002-96	RN2406	R226	116-1221-15	1/4W 1.2Kohm	R533	119-0000-05	0
Q511	125-0002-96	RN2406	R227	119-1031-15	1/16W 10Kohm	R540	119-1831-15	1/16W 18Kohm
Q512	125-0002-96	RN2406	R228	116-1221-15	1/4W 1.2Kohm	R541	119-1831-15	1/16W 18Kohm
Q514	125-2199-96	KRC106S	R229	116-1521-15	1/4W 1.5Kohm	R542	119-1021-15	1/16W 1Kohm
Q601	125-2199-93	KRC103S	R308	032-0140-89	1/10W 47Kohm(F)	R543	119-8221-15	1/16W 8.2Kohm
Q602	125-2199-93	KRC103S	R309	032-0140-89	1/10W 47Kohm(F)	R600	119-3321-15	1/16W 3.3Kohm
Q603	190-1162-00	2SA1162	R310	032-0140-89	1/10W 47Kohm(F)	R601	119-4731-15	1/16W 47Kohm
R1	119-2221-15	1/16W 2.2Kohm	R311	032-0140-89	1/10W 47Kohm(F)	R602	119-4721-15	1/16W 4.7Kohm
R2	119-1021-15	1/16W 1Kohm	R312	032-0140-89	1/10W 47Kohm(F)	R603	116-6801-15	1/4WS 68ohm
R3	119-1021-15	1/16W 1Kohm	R313	032-0140-89	1/10W 47Kohm(F)	R604	119-1031-15	1/16W 10Kohm
R4	119-1031-15	1/16W 10Kohm	R314	032-0140-89	1/10W 47Kohm(F)	R605	119-1031-15	1/16W 10Kohm
R9	119-1021-15	1/16W 1Kohm	R315	032-0140-89	1/10W 47Kohm(F)	R606	119-5621-15	1/16W 5.6Kohm
R14	119-4741-15	1/16W 470Kohm	R316	119-1041-15	1/16W 100Kohm	R609	119-0000-05	0 (PE-2561B-A)

REF No.	PART No.	DESCRIPTION	REF No.	PART No.	DESCRIPTION	REF No.	PART No.	DESCRIPTION
R610	119-4731-15	1/16W 47Kohm	R628	119-1811-15	1/16W 180ohm	R636	119-0000-05	0
R611	119-0000-05	0	R629	119-1811-15	1/16W 180ohm	S600	013-6103-00	SWITCH
R615	119-4721-15	1/16W 4.7Kohm	R630	119-1811-15	1/16W 180ohm	SUP1	060-0122-91	DSP-141N-SOOB
R616	119-4721-15	1/16W 4.7Kohm	R631	119-2711-15	1/16W 270ohm	T201	009-9006-60	CHOCK
R617	119-4721-15	1/16W 4.7Kohm	R632	119-1031-15	1/16W 10Kohm	X1	061-1066-00	7.2MHZ
R622	119-2231-15	1/16W 22Kohm	R633	119-2221-15	1/16W 2.2Kohm	X601	060-1505-50	10MHZ
R626	119-1011-15	1/16W 100ohm	R634	119-2221-15	1/16W 2.2Kohm			
R627	119-1811-15	1/16W 180ohm	R635	119-1041-15	1/16W 100Kohm			

Switch PWB (B2) section

REF No.	PART No.	DESCRIPTION	REF No.	PART No.	DESCRIPTION	REF No.	PART No.	DESCRIPTION
C701	166-6811-50	50V 680PF	Q710	190-1298-00	2SA1298	R763	119-1021-15	1/16W 1kohm
C702	168-1042-78	25V 0.1uF	Q711	125-2199-93	KRC103S	R764	119-1031-15	1/16W 10kohm
C703	168-1042-78	25V 0.1uF	R701	119-1011-15	1/16W 100ohm	R765	119-6811-15	1/16W 680ohm
C704	168-1042-78	25V 0.1uF	R702	119-1021-15	1/16W 1kohm	R791	119-8201-15	1/16W 82ohm
C705	168-1042-78	25V 0.1uF	R703	119-1041-15	1/16W 100kohm	R792	119-2211-15	1/16W 220ohm
C706	042-0416-54	16V 10uF	R704	119-3921-15	1/16W 3.9kohm	R793	119-8201-15	1/16W 82ohm
C707	042-0416-54	16V 10uF	R712	119-3921-15	1/16W 3.9kohm	R794	119-2211-15	1/16W 220ohm
C710	042-0416-54	16V 10uF	R714	119-4331-15	1/16W 43kohm	S701	013-6312-50	SWITCH
D701	001-0529-29	MA8051M	R715	119-2221-15	1/16W 2.2kohm	S702	013-6312-50	SWITCH
D702	001-0529-41	MA8075M	R716	119-2221-15	1/16W 2.2kohm	S703	013-6312-50	SWITCH
D703	001-0529-41	MA8075M	R717	119-2221-15	1/16W 2.2kohm	S704	013-6507-50	LUMI SWITCH
D704	001-0529-41	MA8075M	R718	119-2221-15	1/16W 2.2kohm	S705	013-6312-50	SWITCH
D705	001-0529-41	MA8075M	R720	119-3311-15	1/16W 330ohm	S706	013-6312-50	SWITCH
D706	001-7071-90	DIODE	R721	119-1031-15	1/16W 10kohm	S707	013-6312-50	SWITCH
D708	001-7071-90	DIODE	R722	119-3311-15	1/16W 330ohm	S708	013-6312-50	SWITCH
D709	001-7071-90	DIODE	R723	119-1031-15	1/16W 10kohm	S709	013-6312-50	SWITCH
D710	001-7071-90	DIODE	R724	119-1511-15	1/16W 150ohm	S710	013-6312-50	SWITCH
D715	001-7040-92	DIODE	R730	119-4721-15	1/16W 4.7kohm	S711	013-6312-50	SWITCH
D716	001-7040-92	DIODE	R739	119-4711-15	1/16W 470ohm	S712	013-6312-50	SWITCH
D717	001-7062-93	DIODE	R740	119-4711-15	1/16W 470ohm	S713	013-6507-50	LUMI SWITCH
D718	001-7062-93	DIODE	R741	119-4711-15	1/16W 470ohm	S714	013-6312-50	SWITCH
D719	001-7062-93	DIODE	R742	119-4711-15	1/16W 470ohm	S715	013-6507-50	LUMI SWITCH
D720	001-7062-93	DIODE	R751	119-3311-15	1/16W 330ohm	S716	013-6312-50	SWITCH
IC701	051-6063-00	LC75808W	R752	119-8201-15	1/16W 82ohm	S717	013-6507-50	LUMI SWITCH
IR701	060-4017-90	RS-671	R754	119-8201-15	1/16W 82ohm	S718	013-6312-50	SWITCH
P701	076-0647-00	PLUG	R755	119-2211-15	1/16W 220ohm	S719	013-6507-50	LUMI SWITCH
Q702	193-1306-00	2SD1306	R757	119-2211-15	1/16W 220ohm	S720	013-6312-50	SWITCH
Q703	193-1306-00	2SD1306	R758	119-8201-15	1/16W 82ohm	S721	013-6312-50	SWITCH
Q705	190-1162-00	2SA1162	R759	119-8201-15	1/16W 82ohm	S722	013-6511-50	LUMI SWITCH
Q706	125-2199-93	KRC103S	R760	119-3901-15	1/16W 39ohm	S723	016-9900-85	ENCODER-SW
Q708	125-0199-93	KRA103S	R761	119-3901-15	1/16W 39ohm			
Q709	125-2199-93	KRC103S	R762	119-1031-15	1/16W 10kohm			

EXPLANATION OF IC

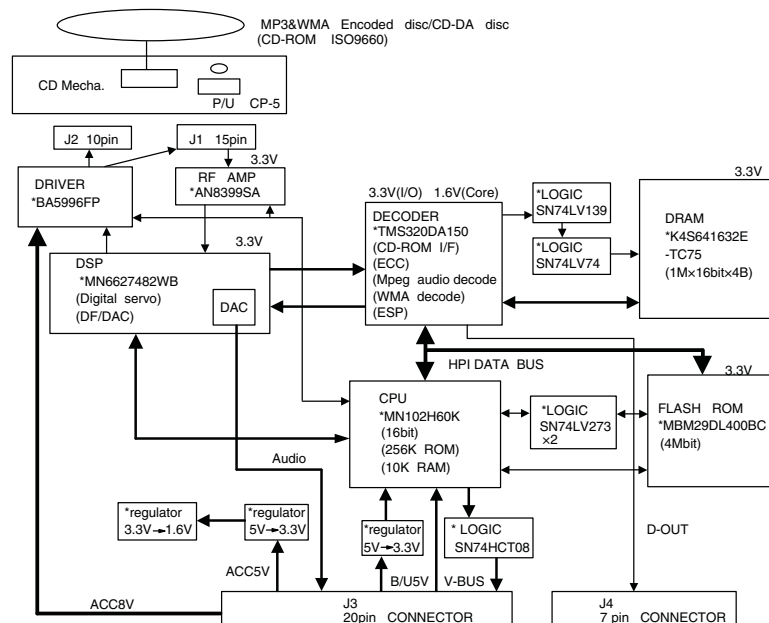
CD mechanism section 929-0240-81

052-5054-00 MN102H60KCL Microcomputer

1. Terminal Description

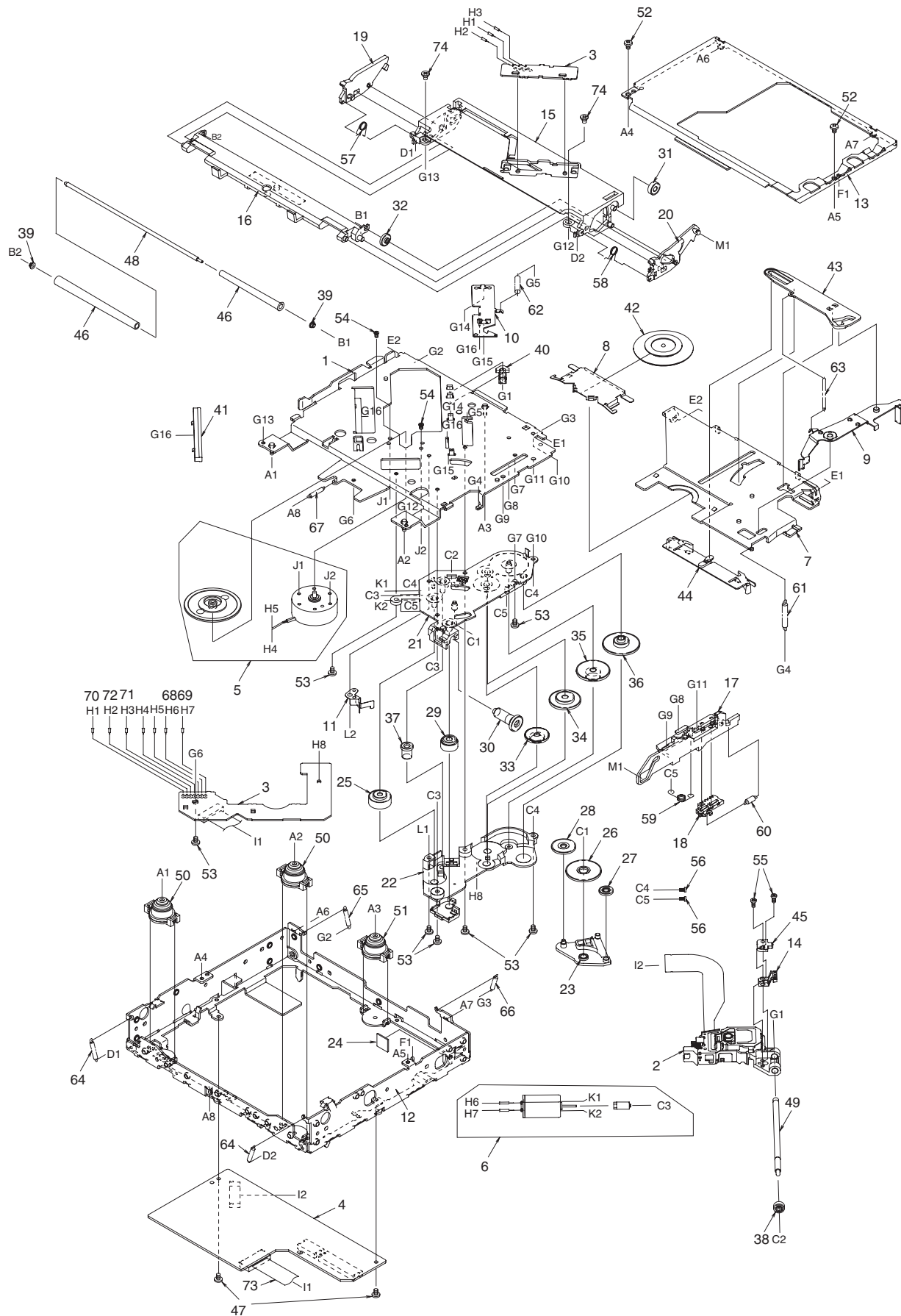
pin 1 : MODE SEL	: IN : Selection signal input V-Bus or Jig.	pin 48 : NU	: - : Not in use.
pin 2 : OE	: O : The read enable command output.	pin 49 : NU	: - : Not in use.
pin 3 : BYTE	: O : The strobe pulse output for HPI.	pin 50 : SBCK	: O : CD DSP SBCK.
pin 4 : WRITE ENBL	: O : The write enable signal output.	pin 51 : SUBC	: IN : CD DSP SUBC.
pin 5 : CHIP SEL	: O : The chip select signal output.	pin 52 : HRDY	: IN : TI DSP HRDY.
pin 6 : NU	: - : Not in use.	pin 53 : SQCK	: O : CD DSP SQCK.
pin 7 : NU	: - : Not in use.	pin 54 : Vref	: - : Reference voltage.
pin 8 : CHIP SEL	: O : The chip select signal output.	pin 55 : SUBQ	: IN : CD DSP SUBQ.
pin 9 : TR A	: IN : Photo sensor signal input from the CD mechanism.	pin 56 : TRESET	: O : TI DSP RESET.
pin 10 : TR B	: IN : Photo sensor signal input from the CD mechanism.	pin 57 : NU	: - : Not in use.
pin 11 : LATCH	: O : The latch pulse output.	pin 58 : LIMIT	: IN : Inside limit switch signal input for the pickup.
pin 12 : GND	: - : Ground.	pin 59 : LDRCTL	: O : LDRCTL
pin 13 : NU	: - : Not in use.	pin 60 : SENSE	: IN : CD DSP SENSE
pin 14 : DR MUTE	: O : The driver mute.	pin 61 : A VSS	: - : Analog ground.
pin 15 : LD / SLD	: O : Loading/Sled selection.	pin 62 : CMUTE	: O : VBUS AMUTE
pin 16 : LD CONT	: O : The Loading control signal output.	pin 63 : CSRQ	: O : VBUS SRQ
pin 17 : VDD	: - : Positive supply voltage.	pin 64 : OBMUTE	: O : 0BIT MUTE
pin 18 : CK OUT	: O : The clock pulse output.	pin 65 : CHUCK	: IN : CD MECHA CHUCK
pin 19 : GND	: - : Ground.	pin 66 : VDD	: - : Positive supply voltage.
pin 20 : SB CLK In	: IN : Sub clock.	pin 67 : CSCK	: IN : VBUS SCK
pin 21 : SB CLK Out	: O : Sub clock.	pin 68 : CMSI	: IN : VBUS MSI
pin 22 : VDD	: - : Positive supply voltage.	pin 69 : CMSO	: O : VBUS MSO
pin 23 : OSC IN	: IN : Oscillation input.	pin 70 : STAT	: IN : CD DSP STAT
pin 24 : OSC OUT	: O : Oscillation output.	pin 71 : RWSEL	: O : RF RWSEL
pin 25 : CNNCT VCC	: - : Pull up.	pin 72 : SYSP	: O : SYSTEM POWER
pin 26 : M CLK O	: O : The clock pulse output.	pin 73 : PUR1	: IN : For flash memory.
pin 27 : M DATA O	: O : The serial data output.	pin 74 : PUR2	: IN : For flash memory.
pin 28 : M LD O	: O : MLDB.	pin 75 : NMI	: IN : Connect to VCC.
pin 29 : M RESET	: O : The reset pulse output.	pin 76 : BLKCK	: IN : CD DSP BLKCK
pin 30 : NU	: - : Not in use.	pin 77 : CCS	: IN : VBUC CS
pin 31 : NU	: - : Not in use.	pin 78 : DQSY	: IN : CD DSP DQSY
pin 32 : NU	: - : Not in use.	pin 79 : WUP	: IN : VBUS WUP
pin 33 : NU	: - : Not in use.	pin 80 : HINT	: IN : TI DSP HINT
pin 34 : A VDD	: - : Positive supply voltage for the Analog section.	pin 81 : ADSEP	: IN : GND
pin 35 : NU	: - : Not in use.	pin 82 : RESET	: IN : Reset signal input.
pin 36 : NU	: - : Not in use.	pin 83 : VDD	: - : Positive supply voltage.
pin 37 : NU	: - : Not in use.	pin 84 : A 0	: I/O : Address input/output.
pin 38 : NU	: - : Not in use.	pin 85 : A 1	: I/O : Address input/output.
pin 39 : A 16	: O : Address signal output.	pin 86 : A 2	: I/O : Address input/output.
pin 40 : A 17	: O : Address signal output.	pin 87 : A 3	: I/O : Address input/output.
pin 41 : A 18	: O : Address signal output.	pin 88 : A 4	: I/O : Address input/output.
pin 42 : A 19	: O : Address signal output.	pin 89 : A 5	: I/O : Address input/output.
pin 43 : GND	: - : Ground.	pin 90 : A 6	: I/O : Address input/output.
pin 44 : H CNTL 0	: O : TI DSP H CNTL 0	pin 91 : A 7	: I/O : Address input/output.
pin 45 : H CNTL 1	: O : TI DSP H CNTL 1	pin 92 : VSS	: - : Negative supply voltage.
pin 46 : NU	: - : Not in use.	pin 93 : A 8	: I/O : Address input/output.
pin 47 : H R/W	: O : TI DSP H R/W.	pin 94 : A 9	: I/O : Address input/output.
		pin 95 : A 10	: I/O : Address input/output.
		pin 96 : A 11	: I/O : Address input/output.
		pin 97 : A 12	: I/O : Address input/output.
		pin 98 : A 13	: I/O : Address input/output.
		pin 99 : A 14	: I/O : Address input/output.
		pin100 : A 15	: I/O : Address input/output.

BLOCK DIAGRAM: CD mechanism section



EXPLODED VIEW • PARTS LIST:

CD mechanism section 929-0240-81



NO.	PART NO.	DESCRIPTION	Q'TY	NO.	PART NO.	DESCRIPTION	Q'TY
1	966-0595-25	DRIVE PLATE ASSY	1	37	621-0620-20	THREAD GEAR A	1
2	969-0065-90	PICK UP UNIT	1	38	621-0621-20	THREAD GEAR B	1
3	039-1944-21	LED PWB (WITHOUT COMPONENT)	1	39	621-0622-21	ROLLER SLEEVE	2
4	039-2290-00	CD PWB (WITHOUT COMPONENT)	1	40	621-0623-22	LS-HOLDER	1
5	SMA-182-100	MOTO ASSY(SPINDLE)	1	41	621-0624-22	GUIDE RAIL	1
6	SMA-183-100	MOTO ASSY(SLED)	1	42	621-0708-20	CLAMPER RING	1
7	620-1022-25	CLAMPER LINK	1	43	621-0626-21	STOPPER LINK	1
8	620-1023-23	CLAMPER PLATE	1	44	621-0627-21	DISC STOPPER	1
9	620-1024-23	SENSOR ARM	1	45	621-0709-20	SH-BASE	1
10	620-1025-22	ID-LOCK PLATE	1	46	621-0629-20	LOADING ROLLER	2
11	620-1026-21	SPRING PLATE	1	47	716-1670-00	SPECIAL SCREW	2
12	620-1585-20	LOWER CHASSIS	1	48	622-1660-20	ROLLER SHAFT	1
13	620-1028-23	UPPER CHASSIS	1	49	624-0018-01	LEAD SCREW	1
14	966-0638-20	SH-RACK ASSY	1	50	629-0086-20	DAMPER F	2
15	621-0598-26	UPPER GUIDE	1	51	629-0087-20	DAMPER R	1
16	621-0718-21	ROLLER GUIDE	1	52	714-2003-81	MACHINE SCREW	2
17	621-0600-26	SHIFT LEVER	1	53	716-1507-00	SCREW	7
18	621-0601-21	RACK	1	54	716-1733-00	SCREW	2
19	621-0602-22	LOCK ARM(L)	1	55	716-3469-00	SPECIAL SCREW	2
20	621-0603-25	LOCK ARM(R)	1	56	716-3446-00	SCREW	2
21	621-0724-20	GEAR BASE	1	57	750-3465-21	ROLLER SPRING(L)	1
22	621-0605-22	GEAR COVER	1	58	750-3466-20	ROLLER SPRING(R)	1
23	621-0723-20	IDLE CASE	1	59	750-3467-21	SHIFT SPRING	1
24	345-8704-20	CUSHION RUBBER	1	60	750-3468-20	RACK SPRING	1
25	621-0608-21	SECOND GEAR	1	61	750-3469-20	CLAMPER SPRING	1
26	621-0609-20	BASE GEAR	1	62	750-3470-20	ID-LOCK SPRING	1
27	621-0610-20	IDLE GEAR A	1	63	750-3471-20	SENSOR SPRING	1
28	621-0611-20	IDLE GEAR B	1	64	750-3472-21	DR-SPRING F	2
29	621-0612-21	ROLLER GEAR A	1	65	750-3473-20	DR-SPRING RA	1
30	621-0719-20	ROLLER GEAR B	1	66	750-3474-20	DR-SPRING RB	1
31	621-0720-20	ROLLER GEAR C	1	67	750-3475-21	DR-SPRING C	1
32	621-0721-20	ROLLER GEAR D	1	68	803-4906-60	VINYL-COAT-WIRE	1
33	621-0616-20	POWER GEAR A	1	69	816-2590-00	SPECIAL LEAD	1
34	621-0617-20	POWER GEAR B	1	70	816-2591-00	SPECIAL LEAD	1
35	621-0618-20	POWER GEAR C	1	71	816-2592-00	SPECIAL LEAD	1
36	621-0619-20	POWER GEAR D	1	72	816-2593-00	SPECIAL LEAD	1
				73	816-2624-50	FLAT WIRE	1
				74	716-3473-00	SPECIAL SCREW	2

ELECTRICAL PARTS LIST

CD mechanism (B3) section 929-0240-81

REF No.	PART No.	DESCRIPTION	REF No.	PART No.	DESCRIPTION	REF No.	PART No.	DESCRIPTION
C1	168-4732-78	0.047uF	C71	168-1045-56	0.1uF	Q1	125-0002-92	RN2402TE85L
C2	046-3922-58	3900pF	C72	168-1045-56	0.1uF	Q02	125-2004-92	RN1402TE85L
C3	046-3332-78	0.033uF	C75	046-1032-78	0.01uF	Q3	131-1188-50	2SB1188
C4	045-2201-50	22pF	C76	168-1045-56	0.1uF	Q4	190-1586-50	2SA1586
C5	045-3901-50	39pF	C77	163-2273-05	4V 220uF	Q5	125-2004-92	RN1402TE85L
C6	168-4732-78	0.047uF	C78	168-1045-56	0.1uF	Q50	125-2004-92	RN1402TE85L
C7	045-2096-50	2pF	C80	168-1045-56	0.1uF	R1	033-3341-15	1/16W 330Kohm
C8	042-0416-52	10V 10uF	C81	168-1045-56	0.1uF	R2	033-4741-15	1/16W 470Kohm
C9	042-0416-52	10V 10uF	C82	178-1052-78	1uF	R3	033-1521-15	1/16W 1.5Kohm
C10	046-5622-58	5600pF	C83	046-4722-58	4700pF	R4	033-3321-15	1/16W 3.3Kohm
C11	178-1052-78	1uF	C84	178-1052-78	1uF	R5	033-4721-15	1/16W 4.7Kohm
C12	163-1073-05	4V 100uF	C85	046-1032-78	0.01uF	R6	117-1001-15	1/10W 10ohm
C13	178-1052-78	1uF	C86	168-1045-56	0.1uF	R7	033-2251-15	1/16W 2.2Mohm
C14	168-1045-56	0.1uF	C87	168-1045-56	0.1uF	R8	033-6831-15	1/16W 68Kohm
C15	046-6822-58	6800pF	C88	045-1011-50	100pF	R9	033-1021-15	1/16W 1Kohm
C16	046-3332-78	0.033uF	C89	045-1011-50	100pF	R10	033-3331-15	1/16W 33Kohm
C17	178-2242-78	0.22uF	C90	046-1032-78	0.01uF	R11	033-1231-15	1/16W 12Kohm
C18	168-4732-78	0.047uF	C91	046-1032-78	0.01uF	R12	033-1231-15	1/16W 12Kohm
C19	045-1511-50	150pF	C92	168-1045-56	0.1uF	R17	033-1811-15	1/16W 180ohm
C20	046-2212-58	220pF	C93	046-1032-78	0.01uF	R30	033-1011-15	1/16W 100ohm
C21	178-1052-78	1uF	C94	045-1201-50	12pF	R31	033-6811-15	1/16W 680ohm
C22	046-4722-58	4700pF	C95	168-1045-56	0.1uF	R32	033-6811-15	1/16W 680ohm
C23	163-1073-05	4V 100uF	C96	163-4763-05	4V 47uF	R33	033-2211-15	1/16W 220ohm
C30	168-1045-56	0.1uF	C97	042-0416-52	10V 10uF	R35	033-3311-15	1/16W 330ohm
C31	163-1073-05	4V 100uF	C98	168-1045-56	0.1uF	R36	033-5631-15	1/16W 56Kohm
C32	046-1032-78	0.01uF	C99	046-1032-78	0.01uF	R37	033-8231-15	1/16W 82Kohm
C33	046-1032-78	0.01uF	CCT1	050-0145-54	1/16W 47Kohm	R38	033-5631-15	1/16W 56Kohm
C34	168-1045-56	0.1uF	CCT2	050-0145-54	1/16W 47Kohm	R39	033-3331-15	1/16W 33Kohm
C35	168-1045-56	0.1uF	CCT6	050-0145-54	1/16W 47Kohm	R40	033-8221-15	1/16W 8.2Kohm
C36	046-1022-58	1000pF	CCT9	050-0145-54	1/16W 47Kohm	R41	033-1031-15	1/16W 10Kohm
C37	042-0416-52	10V 10uF	D1	001-2610-90	RB480K	R42	033-2731-15	1/16W 27Kohm
C38	046-4722-58	4700pF	D2	001-2610-90	RB480K	R43	033-1031-15	1/16W 10Kohm
C39	178-2242-78	0.22uF	D3	001-0367-91	1SS226TE85L	R44	033-1531-15	1/16W 15Kohm
C40	168-1045-56	0.1uF	D4	001-2610-90	RB480K	R45	033-5621-15	1/16W 5.6Kohm
C41	046-2232-78	0.022uF	IC1	051-5709-90	AN8399SA	R46	033-4741-15	1/16W 470Kohm
C42	046-6812-58	680pF	IC2	051-6393-00	MN6627482WB	R47	033-3341-15	1/16W 330Kohm
C43	046-1022-58	1000pF	IC3	051-6062-08	BA5996FM-E2	R48	033-2241-15	1/16W 220Kohm
C50	168-1045-56	0.1uF	IC4	051-7221-58	SN74AHC1G04D	R50	117-6811-15	1/10W 680ohm
C51	045-1011-50	100pF	IC5	052-5054-00	MN102H60K	R51	033-1031-15	1/16W 10Kohm
C52	046-1522-58	1500pF	IC6	051-6372-00	TMS320DA150	R52	033-1031-15	1/16W 10Kohm
C53	046-1522-58	1500pF	IC7	051-3314-90	TMS48S033F	R53	033-1031-15	1/16W 10Kohm
C54	046-6812-58	680pF	IC8	051-3315-90	TPS76316DBVR	R54	033-1031-15	1/16W 10Kohm
C55	163-1073-35	16V 100uF	IC9	051-5442-08	BD4826	R55	033-8221-15	1/16W 8.2Kohm
C56	168-1045-56	0.1uF	IC10	051-9813-00	MBM29DL400BC	R56	033-1041-15	1/16W 100Kohm
C57	046-1022-58	1000pF	IC11	051-7519-08	SN74LV273APWR	R57	033-1011-15	1/16W 100ohm
C60	045-1801-50	18pF	IC12	051-7519-08	SN74LV273APWR	R62	033-1041-15	1/16W 100Kohm
C61	045-1801-50	18pF	IC13	051-7239-38	SN74HCT08PW	R63	033-1041-15	1/16W 100Kohm
C62	046-1032-78	0.01uF	IC14	051-9330-00	K4S641632E-	R66	119-4741-15	1/16W 470Kohm
C63	168-1045-56	0.1uF	IC15	051-7518-08	SN74LV139APWR	R82	033-3311-15	1/16W 330ohm
C64	168-1045-56	0.1uF	IC16	051-7203-48	SN74LV74APWR	R83	033-1011-15	1/16W 220ohm
C65	168-1045-56	0.1uF	IC17	051-3263-90	NJU7200U33	R94	033-1041-15	1/16W 100Kohm
C66	046-1032-78	0.01uF	IC18	051-7222-48	SN74AHC1G08D	R95	033-2231-15	1/16W 22Kohm
C67	168-1045-56	0.1uF	J1	074-1138-65	10p	R96	033-1021-15	1/16W 1Kohm
C68	046-1032-78	0.01uF	J2	074-1138-60	10p	R97	033-4721-15	1/16W 4.7Kohm
C70	168-1045-56	0.1uF	J3	074-1237-70	10p			

LED PWB (B4) section

REF No.	PART No.	DESCRIPTION
D101	001-7058-90	AN1105W-RR
D102	001-7058-90	AN1105W-RR
J101	074-1138-60	10p
Q101	060-4015-90	PS1192H
Q102	060-4015-90	PS1192H
S101	013-7414-50	CHUCKING
S102	013-7413-50	LIMIT