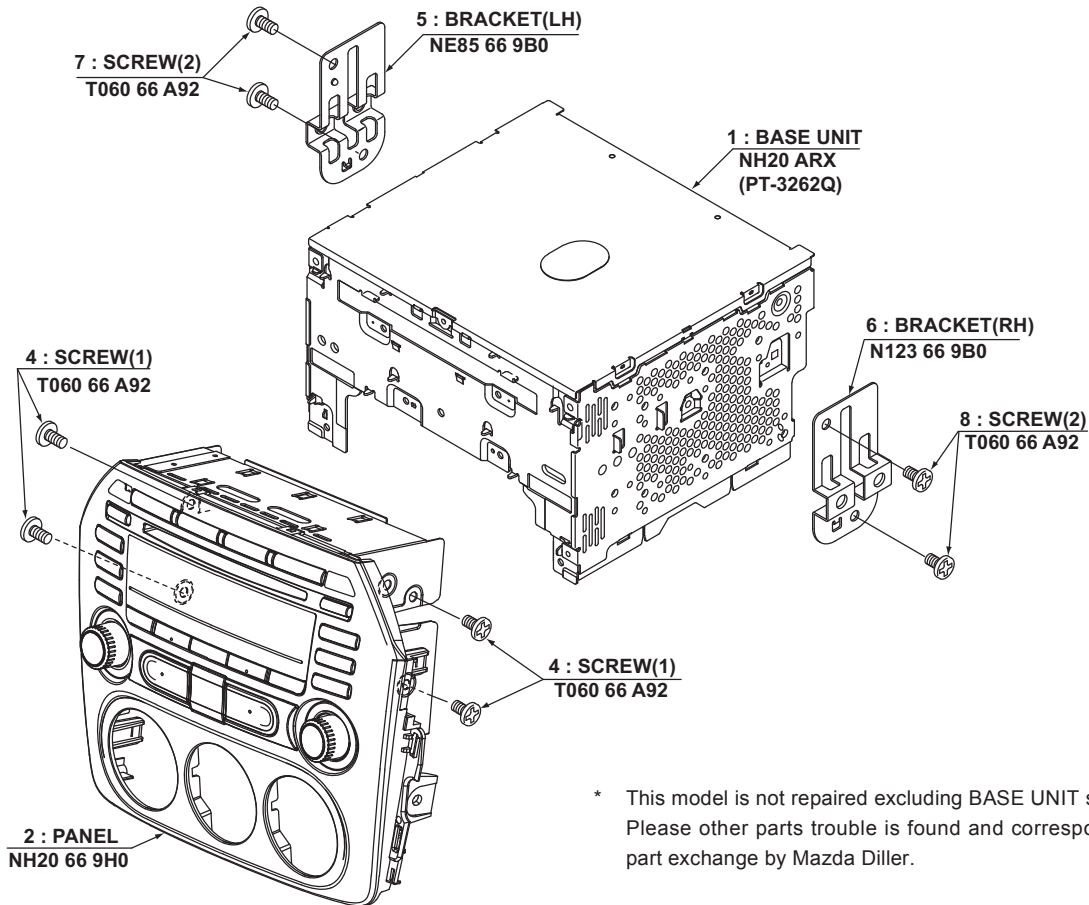


EXPLANATION OF UNIT COMPOSITION

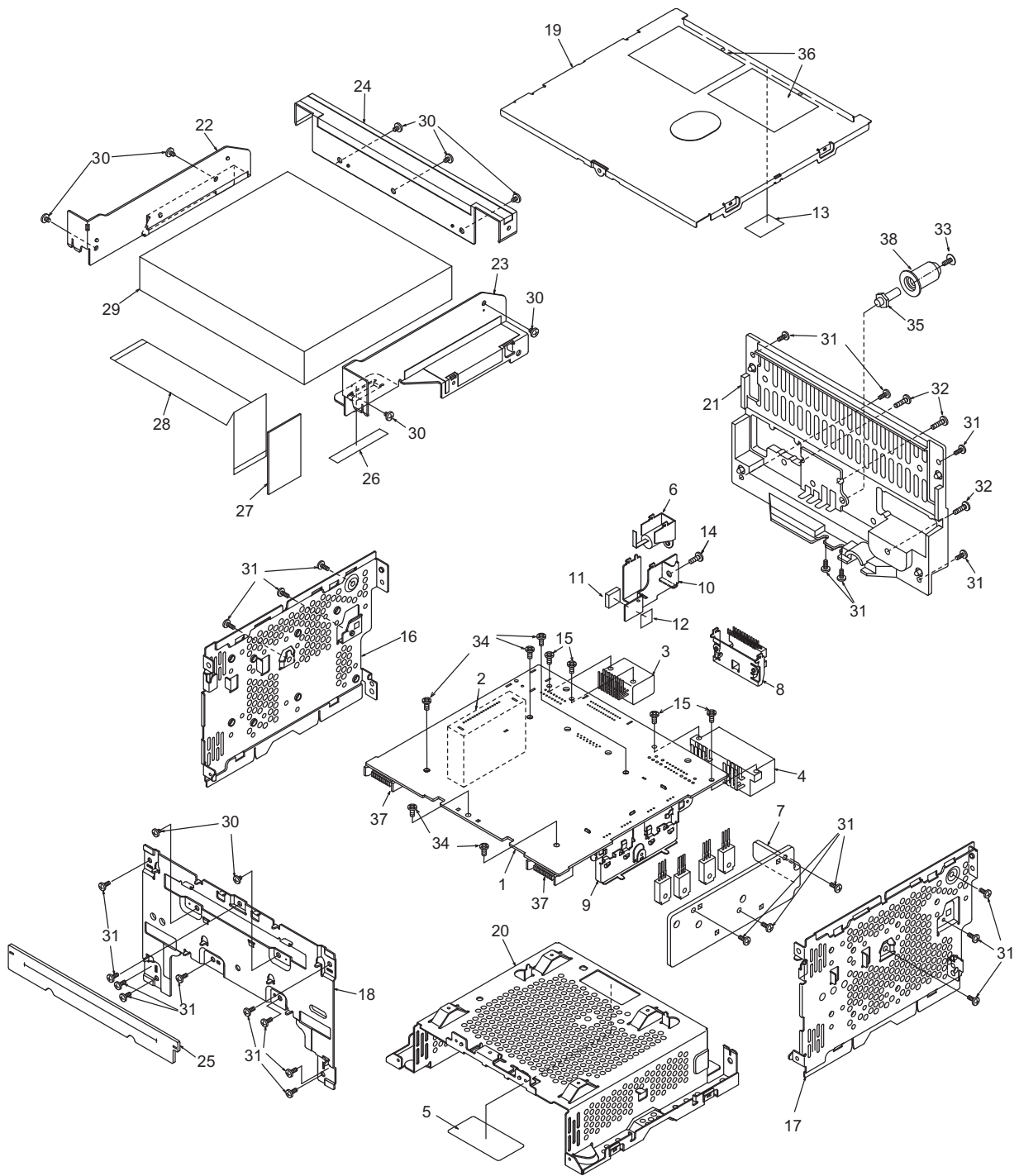


* This model is not repaired excluding BASE UNIT section.
Please other parts trouble is found and correspond by the part exchange by Mazda Diller.

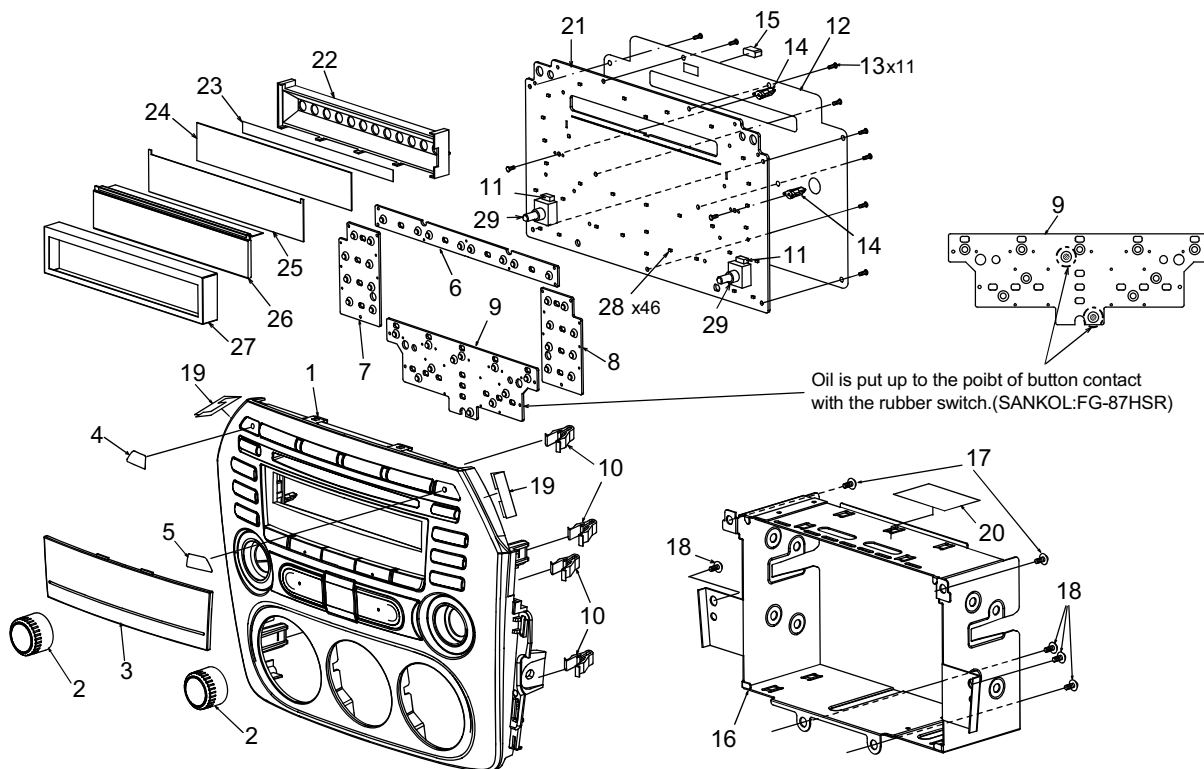
EXPLODED VIEW / PARTS LIST

BASE UNIT section (NH18 66 AR0)

NO.	PART NO.	DESCRIPTION	Q'TY	NO.	PART NO.	DESCRIPTION	Q'TY
1	-----	Main PWB	1	20	311-1903-01	LOWER CASE	1
2	880-2091K	TUNER	1	21	313-1935-02	HEAT SINK	1
3	074-1259-00	OUTLET SOCKET(16P)	1	22	331-4010-01	MECH-BRKT-L	1
4	074-1260-00	OUTLET SOCKET(24P)	1	23	331-4011-01	MECH-BRKT-R	1
5	347-8048-00	PROTECTOR	1	24	331-4131-00	MECH-BRKT-C	1
6	092-4000-51	ANT-RECEPT	1	25	346-0178-01	LEATHER SHEET	1
7	313-1936-00	HEAT SINK	1	26	347-8635-00	PAPER PART	1
8	331-4012-00	IC-HOLDER	1	27	347-7617-00	WIRE SUPPORT	1
9	331-4013-00	TR-HOLDER	1	28	816-3035-50	FLAT WIRE	1
10	331-4031-00	EARTH BRKT	1	29	929-5026-82	1CD-MECHANISM	1
11	345-5828-01	GASKET	1	30	714-2603-8B	MACHINE SCREW(M2.6x3)	9
12	347-8634-00	PROTECTOR	1	31	714-2606-8B	MACHINE SCREW(M2.6X6)	24
13	347-8637-00	SPECER	1	32	714-2612-89	MACHINE SCREW(M2.6x12)	3
14	714-3006-8B	MACHINE SCREW(M3x6)	1	33	716-0821-53	IT SCREW(M3x5)	1
15	778-3005-00	TAP-SCREW(3x5)	4	34	716-1494-50	IT SCREW(M2.6x6)	5
16	305-0338-02	SIDE-CVR-L	1	35	716-1888-01	REAR BOLT	1
17	305-0339-02	SIDE-CVR-R	1	36	286-6750-65	SETPLATE	1
18	309-0810-04	ES PLATE	1	37	076-3009-64	PLUG(14P)	2
19	310-1811-11	UPPER CASE	1	38	345-8494-00	REAR RUBBER	1



PANEL section(NH52 66 9H0)



NO.	PART NO.	DESCRIPTION	QTY
1	940-8450-31	ESCUTCHEON-ASSY	1
2	380-5742-00	KNOB	2
3	373-1180-10	DIAL COVER	1
4	335-8643-00	CAP-L	1
5	335-8644-00	CAP-R	1
6	345-6333-00	RUBBER SWITCH-A	1
7	345-6334-00	RUBBER SWITCH-B	1
8	345-6335-00	RUBBER SWITCH-C	1
9	345-6336-01	RUBBER SWITCH-D	1
10	335-7583-01	CLIP	4
11	076-6000-54	PLUG	2
12	347-8633-00	PROTECTOR	1
13	716-0778-51	WAVE SCREW(2x6)	11
14	335-8503-00	GUIDE PIN	2
15	345-6332-00	GASKET	1

NO.	PART NO.	DESCRIPTION	QTY
16	300-8227-00	MTG-BRKT	1
17	716-3558-00	SCREW(M5x6)	2
18	714-5006-8B	MACHINE SCREW(M5x6)	4
19	347-7823-00	SPACER	2
20	286-6750-65	SETPLATE	1
21	-----	Switch PWB	1
22	335-7429-01	LCD HOLDER	1
23	347-7749-00	DOT FILM	1
24	347-7750-00	FILTER	1
25	335-7430-00	COLOR FILTER	1
26	379-1423-50	LCD (INDICATOR)	1
27	331-4014-00	LCD COVER	1
28	001-7089-90	DIODE	46
29	016-0018-31	ROTARY ENCODER	2

ELECTRICAL PARTS LIST

BASE UNIT : Main PWB(B1) section

REF No.	PART No.	DESCRIPTION	REF No.	PART No.	DESCRIPTION	REF No.	PART No.	DESCRIPTION
ANT101	092-4000-51	ANTENNA RECEPT	C425	168-1022-55	1000pF K	C537	163-1073-15	6.3V 100uF
BL101	880-2091K	TUNER	C426	168-1022-55	1000pF K	C538	168-1042-78	16V 0.1uF K
C101	166-1511-50	150pF CH	C427	168-1042-78	16V 0.1uF K	C539	168-1042-78	16V 0.1uF K
C102	166-2201-50	22pF CH	C428	163-4753-55	35V 4.7uF	C540	168-1042-78	16V 0.1uF K
C103	163-1073-35	16V 100uF	C429	168-1042-78	16V 0.1uF K	C541	163-1063-35	16V 10uF
C104	168-1022-55	1000pF K	C430	163-4753-55	35V 4.7uF	C550	178-4742-78	0.47uF
C105	163-1073-35	16V 100uF	C434	168-2232-55	0.022uF K	C551	178-4742-78	0.47uF
C106	168-1022-55	1000pF K	C435	163-1073-15	6.3V 100uF	C552	178-4742-78	0.47uF
C107	168-1022-55	1000pF K	C437	168-4732-78	0.047uF K	C553	178-4742-78	0.47uF
C108	168-1022-55	1000pF K	C438	042-0423-94	10V 4.7uF	C601	168-1042-78	16V 0.1uF K
C109	168-1022-55	1000pF K	C439	163-2263-35	16V 22uF	C603	163-4763-35	16V 47uF
C110	168-1022-55	1000pF K	C440	168-1022-55	1000pF K	C605	163-4763-35	16V 47uF
C111	168-1022-55	1000pF K	C442	168-1042-78	16V 0.1uF K	C608	168-1052-78	16V 1uF K
C113	168-1042-78	16V 0.1uF K	C444	168-2232-55	0.022uF K	C609	163-2273-25	10V 220uF
C114	166-1801-50	18pF CH	C445	163-4763-15	6.3V 47uF	C610	178-1042-78	0.1uF
C201	168-2212-55	220pF K	C446	163-1063-35	16V 10uF	C611	178-1042-78	0.1uF
C202	163-1063-35	16V 10uF	C447	168-1052-78	16V 1uF K	C612	163-1063-35	16V 10uF
C203	168-1042-78	16V 0.1uF K	C449	168-3332-78	0.033uF K	C613	168-1042-78	16V 0.1uF K
C204	168-1022-55	1000pF K	C450	168-1022-55	1000pF K	C614	042-0416-56	10V 22uF M TAN
C205	168-1022-55	1000pF K	C451	168-1022-55	1000pF K	C615	168-1052-78	16V 1uF K
C206	166-1011-50	100pF CH	C452	168-1022-55	1000pF K	C616	163-2273-25	10V 220uF
C208	168-1042-78	16V 0.1uF K	C453	168-1022-55	1000pF K	C619	178-1042-78	0.1uF
C209	163-2273-25	10V 220uF	C454	168-2232-55	0.022uF K	C621	163-1063-35	16V 10uF
C211	168-1042-78	16V 0.1uF K	C457	168-1052-78	16V 1uF K	C622	042-0406-93	16V 22uF TAN
C212	163-2273-25	10V 220uF	C458	168-4712-55	470pF K	C623	168-1042-78	16V 0.1uF K
C213	168-1042-78	16V 0.1uF K	C459	168-1022-55	1000pF K	C624	178-1042-78	0.1uF
C301	168-2212-55	220pF K	C460	163-1073-15	6.3V 100uF	C625	163-1073-35	16V 100uF
C302	168-2212-55	220pF K	C461	168-1042-78	16V 0.1uF K	C626	168-6822-55	6800pF K
C303	168-2212-55	220pF K	C462	163-3373-15	6.3V 330uF	C627	163-1063-35	16V 10uF
C304	168-2212-55	220pF K	C464	163-2273-25	10V 220uF	C628	168-1042-78	16V 0.1uF K
C305	168-2212-55	220pF K	C465	168-1042-78	16V 0.1uF K	C630	163-4763-35	16V 47uF
C306	168-2212-55	220pF K	C466	168-1042-78	16V 0.1uF K	C631	168-1042-78	16V 0.1uF K
C307	168-2212-55	220pF K	C468	168-1042-78	16V 0.1uF K	C632	168-1042-78	16V 0.1uF K
C308	168-2212-55	220pF K	C469	168-1032-55	0.01uF K	C634	042-1678-00	16V 470uF
C309	168-1032-55	0.01uF K	C470	168-5622-55	5600pF K	C635	042-1678-00	16V 470uF
C310	168-2212-55	220pF K	C471	168-5622-55	5600pF K	C701	166-4701-50	47pF CH
C311	168-2212-55	220pF K	C472	168-3322-55	3300pF K	C702	042-1624-00	16V 4700uF
C312	166-1011-50	100pF CH	C473	168-3322-55	3300pF K	C703	172-1041-11	0.1uF
C313	168-1042-78	16V 0.1uF K	C474	166-1011-50	100pF CH	C704	178-1042-78	0.1uF
C314	168-1042-78	16V 0.1uF K	C475	166-1011-50	100pF CH	C706	163-1053-65	50V 1uF
C316	168-4732-78	0.047uF K	C476	178-2255-79	2.2uF	C707	168-2245-79	0.22uF Z
C318	166-1201-50	12pF CH	C477	178-2255-79	2.2uF	C708	168-2222-55	2200pF K
C319	168-2212-55	220pF K	C478	168-1022-55	1000pF K	C709	168-2222-55	2200pF K
C320	168-1042-78	16V 0.1uF K	C501	168-1022-55	1000pF K	C710	168-2222-55	2200pF K
C321	163-4763-15	6.3V 47uF	C502	168-1022-55	1000pF K	C711	168-2222-55	2200pF K
C322	166-1201-50	12pF CH	C503	168-1022-55	1000pF K	C712	168-2222-55	2200pF K
C323	168-1042-78	16V 0.1uF K	C504	168-1022-55	1000pF K	C713	168-2222-55	2200pF K
C324	178-1042-78	0.1uF	C505	178-2255-79	2.2uF	C714	168-2222-55	2200pF K
C325	166-1011-50	100pF CH	C506	178-2255-79	2.2uF	C715	168-2222-55	2200pF K
C326	166-1011-50	100pF CH	C507	178-2255-79	2.2uF	C716	168-2222-55	2200pF K
C327	166-1011-50	100pF CH	C508	178-2255-79	2.2uF	C717	168-2222-55	2200pF K
C330	168-1042-78	16V 0.1uF K	C509	168-1042-78	16V 0.1uF K	C718	168-2222-55	2200pF K
C331	163-4763-15	6.3V 47uF	C510	166-5611-50	560pF CH	C719	168-2212-55	220pF K
C332	168-1032-55	0.01uF K	C511	166-5611-50	560pF CH	C720	178-1042-78	0.1uF
C333	168-2212-55	220pF K	C512	166-2711-50	270pF CH	C721	163-1053-65	50V 1uF
C404	178-2255-79	2.2uF	C513	166-2711-50	270pF CH	C722	166-3301-50	33pF CH
C405	178-2255-79	2.2uF	C514	166-2201-50	22pF CH	C724	166-1011-50	100pF CH
C406	178-2255-79	2.2uF	C515	166-2201-50	22pF CH	C725	166-1011-50	100pF CH
C407	178-2255-79	2.2uF	C516	166-2201-50	22pF CH	C726	166-1011-50	100pF CH
C408	168-1042-78	16V 0.1uF K	C517	166-2201-50	22pF CH	C727	166-1011-50	100pF CH
C409	166-1811-50	180pF CH	C518	166-5611-50	560pF CH	C728	166-1011-50	100pF CH
C411	163-4753-55	35V 4.7uF	C519	166-5611-50	560pF CH	C729	166-1011-50	100pF CH
C412	166-1007-50	10pF CH	C520	166-2711-50	270pF CH	C905	168-1042-78	16V 0.1uF K
C413	166-1007-50	10pF CH	C521	166-2711-50	270pF CH	C906	166-1011-50	100pF CH
C417	168-1022-55	1000pF K	C522	119-0000-05	1/10W 0 ohm JW	C907	166-1011-50	100pF CH
C418	168-1022-55	1000pF K	C523	119-0000-05	1/10W 0 ohm JW	D201	001-0580-90	1SS352
C419	168-1022-55	1000pF K	C524	119-0000-05	1/10W 0 ohm JW	D202	001-0580-90	1SS352
C420	168-1022-55	1000pF K	C525	119-0000-05	1/10W 0 ohm JW	D301	001-0529-28	MA8051-L
C421	168-1022-55	1000pF K	C527	163-2263-35	16V 22uF	D302	001-0580-90	1SS352
C424	166-1011-50	100pF CH	C528	163-2253-65	50V 2.2uF	D303	001-0580-90	1SS352

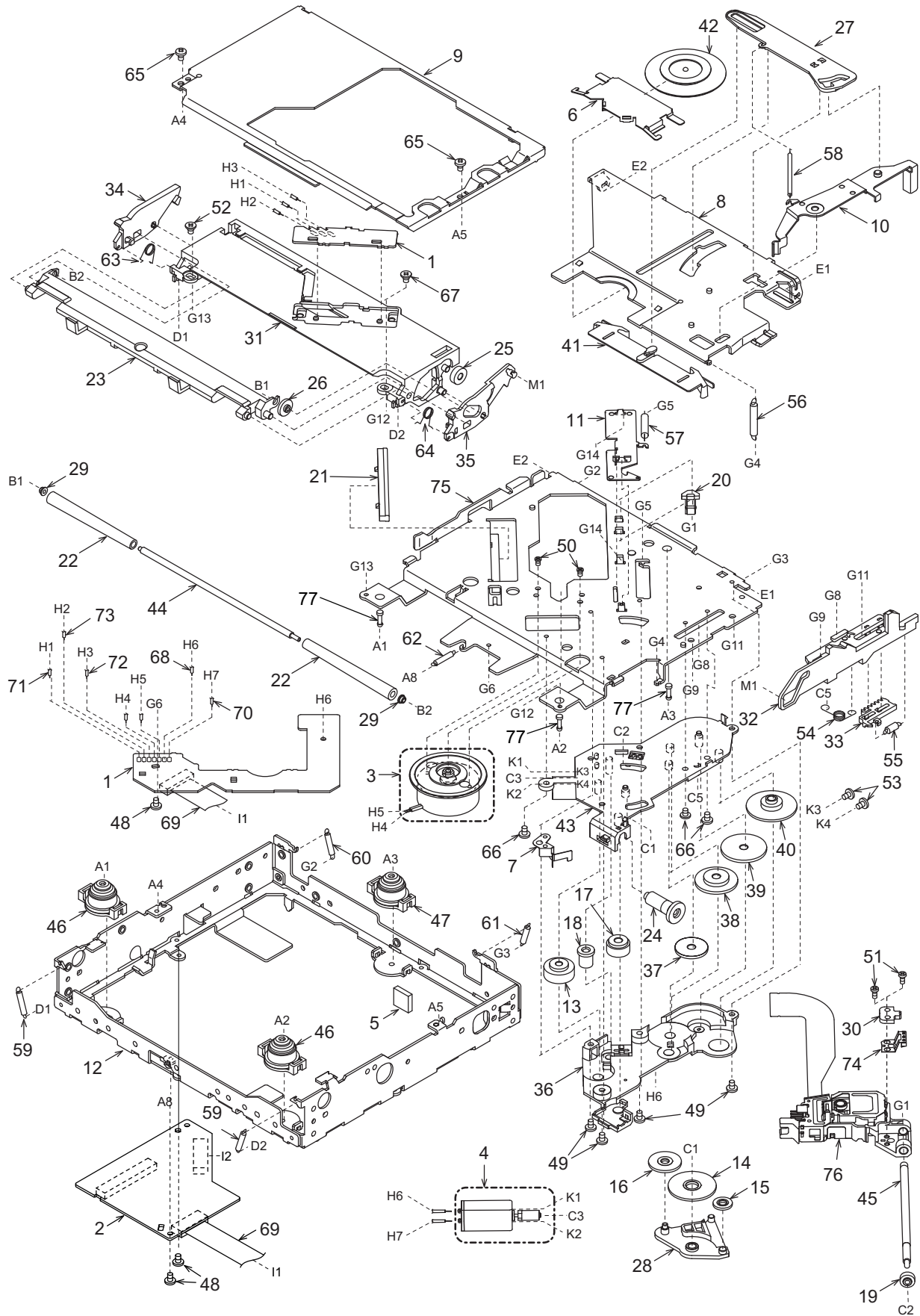
REF No.	PART No.	DESCRIPTION	REF No.	PART No.	DESCRIPTION	REF No.	PART No.	DESCRIPTION
D502	001-0516-90	MA111	L420	010-3105-62	1k ohm/100MHZ	R104	119-1011-15	1/10W 100 ohm
D601	001-0529-32	MA8056-M	L421	010-3104-54	600 ohm/100MHZ	R105	119-6821-15	1/10W 6.8k ohm
D602	001-0580-90	1SS352	L422	010-3105-62	1k ohm/100MHZ	R106	119-6821-15	1/10W 6.8k ohm
D603	001-0529-47	MA8091-M	L423	010-2198-51	0.22uH	R107	119-1011-15	1/10W 100 ohm
D604	001-0529-28	MA8051-L	L424	010-3105-62	1k ohm/100MHZ	R108	119-1011-15	1/10W 100 ohm
D605	001-0580-90	1SS352	L505	010-3406-66	22uH J	R109	119-1011-15	1/10W 100 ohm
D606	001-0516-90	MA111	L506	010-3105-62	1k ohm/100MHZ	R110	119-1011-15	1/10W 100 ohm
D607	001-0516-90	MA111	L507	010-3105-62	1k ohm/100MHZ	R111	116-5691-15	1/4W 5.6 ohm
D608	001-2614-90	1SR-154-400	L508	010-3105-62	1k ohm/100MHZ	R112	119-4731-15	1/10W 47k ohm
D610	001-0580-90	1SS352	L509	010-3105-62	1k ohm/100MHZ	R201	119-1031-15	1/10W 10k ohm
D615	001-0584-24	MA8082	L510	010-3105-62	1k ohm/100MHZ	R202	119-1031-15	1/10W 10k ohm
D617	001-2614-90	1SR-154-400	L511	010-3105-62	1k ohm/100MHZ	R204	119-1011-15	1/10W 100 ohm
D618	001-2614-90	1SR-154-400	L512	010-3105-62	1k ohm/100MHZ	R205	119-0000-05	1/10W 0 ohm JW
D622	001-2614-90	1SR-154-400	L513	010-3105-62	1k ohm/100MHZ	R301	119-1031-15	1/10W 10k ohm
D623	001-2614-90	1SR-154-400	L703	010-8026-00	210uH	R302	119-3931-15	1/10W 39k ohm
D624	001-4310-08	RLZ 20B	L704	010-3105-62	1k ohm/100MHZ	R303	119-4731-15	1/10W 47k ohm
D625	001-2614-90	1SR-154-400	L707	010-3105-62	1k ohm/100MHZ	R304	116-5611-15	1/4W 560 ohm
D626	001-0529-32	MA8056-M	L708	010-3105-62	1k ohm/100MHZ	R305	119-1021-15	1/10W 1k ohm
D707	001-0529-31	MA8056-L	L709	010-3105-62	1k ohm/100MHZ	R306	119-1021-15	1/10W 1k ohm
D711	001-0529-34	MA8062-L	L710	010-3105-62	1k ohm/100MHZ	R307	119-1021-15	1/10W 1k ohm
D713	001-2015-00	RL253	L711	010-3105-62	1k ohm/100MHZ	R308	119-1021-15	1/10W 1k ohm
D715	001-0580-90	1SS352	L712	010-3105-62	1k ohm/100MHZ	R309	119-1021-15	1/10W 1k ohm
D716	001-4310-08	RLZ 20B	L714	010-3105-62	1k ohm/100MHZ	R310	119-1011-15	1/10W 100 ohm
D718	001-0608-90	D1FS4	L715	010-3105-62	1k ohm/100MHZ	R311	119-1021-15	1/10W 1k ohm
D719	001-0580-90	1SS352	L716	010-3105-62	1k ohm/100MHZ	R312	119-1021-15	1/10W 1k ohm
D721	001-0580-90	1SS352	L717	010-3105-62	1k ohm/100MHZ	R313	119-1021-15	1/10W 1k ohm
D723	001-0580-90	1SS352	L718	010-3105-62	1k ohm/100MHZ	R314	119-4721-15	1/10W 4.7k ohm
D724	001-0529-34	MA8062-L	L719	010-3105-62	1k ohm/100MHZ	R315	119-1011-15	1/10W 100 ohm
D725	001-0516-90	MA111	P201	076-3009-64	14P	R316	119-4721-15	1/10W 4.7k ohm
D750	001-0516-90	MA111	P202	076-3009-64	14P	R317	119-1011-15	1/10W 100 ohm
D901	001-4902-92	HZM27FA-TL	Q302	125-9003-92	IMD3	R318	119-1011-15	1/10W 100 ohm
IC101	051-6212-08	LC72191JM-TLM	Q401	125-7005-90	PHK04P02T	R319	119-1021-15	1/10W 1k ohm
IC301	051-5440-08	S-80931CNMC-G81	Q402	125-2026-91	UNR5211G	R320	119-4731-15	1/10W 47k ohm
IC302	051-9419-08	BR24L02FVM-WTR	Q404	125-2026-91	UNR5211G	R321	119-1021-15	1/10W 1k ohm
		VIRGIN-TYP	Q406	125-2026-91	UNR5211G	R322	119-4731-15	1/10W 47k ohm
IC303	052-0315-10	M30876FJAGP	Q407	125-2026-91	UNR5211G	R325	119-4731-15	1/10W 47k ohm
		VIRGIN-TYP	Q408	125-2026-91	UNR5211G	R326	119-4731-15	1/10W 47k ohm
IC401	-----	SAF7730HV/N317F	Q409	125-2026-91	UNR5211G	R329	119-4731-15	1/10W 47k ohm
IC501	051-3019-90	NJM2060V	Q601	193-1758-00	2SD1758TK	R330	119-1021-15	1/10W 1k ohm
IC502	051-2055-00	TDA8593J/N3	Q602	125-0020-91	UNR5111	R331	119-1021-15	1/10W 1k ohm
IC602	051-3340-00	LD1085P	Q603	125-2026-91	UNR5211G	R332	119-1021-15	1/10W 1k ohm
IC603	051-3343-00	NJM2396F33	Q604	190-1736-00	2SA1736	R334	119-1021-15	1/10W 1k ohm
IC604	051-3340-00	LD1085P	Q605	125-2026-91	UNR5211G	R335	119-1021-15	1/10W 1k ohm
IC606	051-3341-90	BD3931FP	Q606	133-1766-00	2SD1766	R336	119-1021-15	1/10W 1k ohm
IC607	051-5441-08	BD4828G-TR	Q607	125-2026-91	UNR5211G	R337	119-1031-15	1/10W 10k ohm
IC608	051-3395-90	NJU7780U1-15-TES	Q608	192-2712-50	2SC2712 Y,G,L	R338	119-1031-15	1/10W 10k ohm
IC902	051-6647-90	TJA1050T/N1	Q609	125-0020-91	UNR5111	R339	119-2231-15	1/10W 22k ohm
J221	074-1189-88	38P	Q610	192-2712-50	2SC2712 Y,G,L	R340	119-1021-15	1/10W 1k ohm
J701	074-1260-00	24P	Q611	101-1274-00	2SB1274	R341	119-4731-15	1/10W 47k ohm
J702	074-1259-00	16P	Q612	191-1197-50	2SB1197K Q,R	R342	119-4731-15	1/10W 47k ohm
L101	010-2003-04	30uH	Q613	125-2026-91	UNR5211G	R343	119-4731-15	1/10W 47k ohm
L102	010-4044-00	27mH	Q614	191-1204-61	2SB1204 R,S,T	R344	119-4731-15	1/10W 47k ohm
L103	010-3105-62	1k ohm/100MHZ	Q615	192-2712-50	2SC2712 Y,G,L	R345	119-1041-15	1/10W 100k ohm
L201	010-2198-59	4.7uH	Q616	192-2712-50	2SC2712 Y,G,L	R346	119-1021-15	1/10W 1k ohm
L202	010-3406-66	22uH J	Q617	191-1197-50	2SB1197K Q,R	R347	119-1041-15	1/10W 100k ohm
L301	010-3406-66	22uH J	Q618	125-2026-91	UNR5211G	R348	119-1021-15	1/10W 1k ohm
L302	010-3406-66	22uH J	Q619	191-1204-61	2SB1204 R,S,T	R349	119-1021-15	1/10W 1k ohm
L401	010-3105-62	1k ohm/100MHZ	Q620	192-2712-50	2SC2712 Y,G,L	R350	119-1021-15	1/10W 1k ohm
L402	010-3504-90	22uH M	Q623	190-1736-00	2SA1736	R352	119-1021-15	1/10W 1k ohm
L403	010-3504-90	22uH M	Q624	125-2026-91	UNR5211G	R354	119-1021-15	1/10W 1k ohm
L404	010-3105-62	1k ohm/100MHZ	Q625	190-1736-00	2SA1736	R357	119-1011-15	1/10W 100 ohm
L405	010-3105-62	1k ohm/100MHZ	Q628	125-2026-91	UNR5211G	R358	119-1011-15	1/10W 100 ohm
L406	010-3105-62	1k ohm/100MHZ	Q629	125-0020-93	UNR511300L	R359	119-1021-15	1/10W 1k ohm
L407	010-3104-54	600 ohm/100MHZ	Q631	193-1758-00	2SD1758TK	R360	119-1021-15	1/10W 1k ohm
L409	010-3105-62	1k ohm/100MHZ	Q701	192-2712-50	2SC2712 Y,G,L	R361	119-1031-15	1/10W 10k ohm
L410	010-3105-62	1k ohm/100MHZ	Q703	192-2712-50	2SC2712 Y,G,L	R362	119-1031-15	1/10W 10k ohm
L411	010-3105-62	1k ohm/100MHZ	Q704	192-2712-50	2SC2712 Y,G,L	R364	119-4731-15	1/10W 47k ohm
L412	010-3105-62	1k ohm/100MHZ	Q705	192-2712-50	2SC2712 Y,G,L	R366	119-4731-15	1/10W 47k ohm
L413	010-3105-62	1k ohm/100MHZ	Q706	192-2712-50	2SC2712 Y,G,L	R367	119-2231-15	1/10W 22k ohm
L414	010-3105-62	1k ohm/100MHZ	Q707	192-2712-50	2SC2712 Y,G,L	R368	119-4731-15	1/10W 47k ohm
L415	010-3105-62	1k ohm/100MHZ	Q709	192-2712-50	2SC2712 Y,G,L	R369	119-4731-15	1/10W 47k ohm
L416	010-3105-62	1k ohm/100MHZ	Q710	191-1197-50	2SB1197K Q,R	R370	119-4731-15	1/10W 47k ohm
L417	010-3105-62	1k ohm/100MHZ	R102	119-2741-15	1/10W 270k ohm	R373	119-4721-15	1/10W 4.7k ohm
L418	010-3105-62	1k ohm/100MHZ	R103	119-1041-15	1/10W 100k ohm	R374	119-1031-15	1/10W 10k ohm

REF No.	PART No.	DESCRIPTION	REF No.	PART No.	DESCRIPTION	REF No.	PART No.	DESCRIPTION
R375	119-4721-15	1/10W 4.7k ohm	R519	119-1031-15	1/10W 10k ohm	R643	119-3931-15	1/10W 39k ohm
R376	119-4721-15	1/10W 4.7k ohm	R520	119-1031-15	1/10W 10k ohm	R644	119-3931-15	1/10W 39k ohm
R377	119-4731-15	1/10W 47k ohm	R521	119-0000-05	1/10W 0 ohm JW	R646	119-1241-15	1/10W 120k ohm
R378	119-1021-15	1/10W 1k ohm	R522	119-0000-05	1/10W 0 ohm JW	R647	119-7531-15	1/10W 75k ohm
R379	119-4731-15	1/10W 47k ohm	R523	119-1031-15	1/10W 10k ohm	R649	116-2291-15	1/4W 2.2 ohm
R401	032-0140-63	1/10W 27k ohm F	R524	119-1031-15	1/10W 10k ohm	R650	116-2291-15	1/4W 2.2 ohm
R402	032-0140-63	1/10W 27k ohm F	R525	119-1021-15	1/10W 1k ohm	R651	116-2291-15	1/4W 2.2 ohm
R405	119-8221-15	1/10W 8.2k ohm	R528	119-4721-15	1/10W 4.7k ohm	R656	116-1221-15	1/4W 1.2k ohm
R406	032-0140-50	1/10W 10k ohm F	R529	119-4721-15	1/10W 4.7k ohm	R657	116-4711-15	1/4W 470 ohm
R407	032-0140-50	1/10W 10k ohm F	R535	119-1011-15	1/10W 100 ohm	R658	116-4711-15	1/4W 470 ohm
R408	032-0140-50	1/10W 10k ohm F	R536	119-1011-15	1/10W 100 ohm	R659	119-1021-15	1/10W 1k ohm
R409	032-0140-50	1/10W 10k ohm F	R537	117-0000-05	1/8W 0 ohm JW	R661	116-4791-15	1/4W 4.7 ohm
R410	119-2201-15	1/10W 22 ohm	R538	117-0000-05	1/8W 0 ohm JW	R662	116-4791-15	1/4W 4.7 ohm
R412	119-0000-05	1/10W 0 ohm JW	R539	117-0000-05	1/8W 0 ohm JW	R663	119-0000-05	1/10W 0 ohm JW
R413	119-1031-15	1/10W 10k ohm	R540	117-0000-05	1/8W 0 ohm JW	R701	119-2231-15	1/10W 22k ohm
R414	119-1021-15	1/10W 1k ohm	R541	117-0000-05	1/8W 0 ohm JW	R702	119-2231-15	1/10W 22k ohm
R416	119-1031-15	1/10W 10k ohm	R542	117-0000-05	1/8W 0 ohm JW	R703	119-2231-15	1/10W 22k ohm
R417	119-0000-05	1/10W 0 ohm JW	R543	117-0000-05	1/8W 0 ohm JW	R704	119-2231-15	1/10W 22k ohm
R418	119-1031-15	1/10W 10k ohm	R544	117-0000-05	1/8W 0 ohm JW	R705	119-2231-15	1/10W 22k ohm
R419	119-0000-05	1/10W 0 ohm JW	R564	119-0000-05	1/10W 0 ohm JW	R706	119-2231-15	1/10W 22k ohm
R420	119-0000-05	1/10W 0 ohm JW	R565	119-0000-05	1/10W 0 ohm JW	R707	119-4731-15	1/10W 47k ohm
R421	119-0000-05	1/10W 0 ohm JW	R566	119-0000-05	1/10W 0 ohm JW	R709	119-2231-15	1/10W 22k ohm
R423	119-1001-15	1/10W 10 ohm	R567	119-0000-05	1/10W 0 ohm JW	R711	119-2231-15	1/10W 22k ohm
R425	119-0000-05	1/10W 0 ohm JW	R589	119-0000-05	1/10W 0 ohm JW	R713	119-2231-15	1/10W 22k ohm
R426	032-0140-50	1/10W 10k ohm F	R601	119-3311-15	1/10W 330 ohm	R717	119-1041-15	1/10W 100k ohm
R427	032-0140-50	1/10W 10k ohm F	R602	119-1031-15	1/10W 10k ohm	R718	116-2211-15	1/4W 220 ohm
R429	032-0140-50	1/10W 10k ohm F	R605	119-1031-15	1/10W 10k ohm	R719	116-2211-15	1/4W 220 ohm
R430	032-0140-50	1/10W 10k ohm F	R606	116-4711-15	1/4W 470 ohm	R721	119-2231-15	1/10W 22k ohm
R431	119-1051-15	1/10W 1M ohm	R607	119-1031-15	1/10W 10k ohm	R722	119-1021-15	1/10W 1k ohm
R436	119-0000-05	1/10W 0 ohm JW	R608	119-3311-15	1/10W 330 ohm	R726	119-6821-15	1/10W 6.8k ohm
R440	119-1031-15	1/10W 10k ohm	R609	032-0140-81	1/10W 3.9k ohm F	R727	119-5611-15	1/10W 560 ohm
R441	119-1031-15	1/10W 10k ohm	R610	032-0140-68	1/10W 680 ohm F	R729	116-1531-15	1/4W 15k ohm
R442	119-1011-15	1/10W 100 ohm	R612	116-1011-15	1/4W 100 ohm	R730	116-1021-15	1/4W 1k ohm
R443	119-1011-15	1/10W 100 ohm	R613	117-1021-15	1/8W 1k ohm	R732	116-1011-15	1/4W 100 ohm
R446	119-1031-15	1/10W 10k ohm	R614	119-1031-15	1/10W 10k ohm	R734	116-1021-15	1/4W 1k ohm
R449	119-1031-15	1/10W 10k ohm	R615	116-1821-15	1/4W 1.8k ohm	R735	119-5611-15	1/10W 560 ohm
R452	119-1011-15	1/10W 100 ohm	R616	119-1531-15	1/10W 15k ohm	R736	116-2291-15	1/4W 2.2 ohm
R453	119-1001-15	1/10W 10 ohm	R617	116-1821-15	1/4W 1.8k ohm	R737	119-1031-15	1/10W 10k ohm
R457	119-0000-05	1/10W 0 ohm JW	R618	116-2291-15	1/4W 2.2 ohm	R738	119-1031-15	1/10W 10k ohm
R460	119-0000-05	1/10W 0 ohm JW	R619	119-1021-15	1/10W 1k ohm	R740	119-0000-05	1/10W 0 ohm JW
R461	119-1531-15	1/10W 15k ohm	R620	116-1821-15	1/4W 1.8k ohm	R741	117-4721-15	1/8W 4.7k ohm
R462	119-1531-15	1/10W 15k ohm	R621	119-1031-15	1/10W 10k ohm	R750	119-1211-15	1/10W 120 ohm
R463	119-1231-15	1/10W 12k ohm	R622	119-1031-15	1/10W 10k ohm	R751	119-2731-15	1/10W 27k ohm
R501	119-1021-15	1/10W 1k ohm	R623	116-1821-15	1/4W 1.8k ohm	R996	119-0000-05	1/10W 0 ohm JW
R502	119-1021-15	1/10W 1k ohm	R624	119-4721-15	1/10W 4.7k ohm	R997	119-0000-05	1/10W 0 ohm JW
R503	119-1021-15	1/10W 1k ohm	R625	119-1031-15	1/10W 10k ohm	R999	119-0000-05	1/10W 0 ohm JW
R504	119-1021-15	1/10W 1k ohm	R626	119-2221-15	1/10W 2.2k ohm	SUP101	060-0122-91	DSP-141N-S00B
R505	119-1031-15	1/10W 10k ohm	R627	119-1031-15	1/10W 10k ohm	TC101	004-1580-10	30pF GRN
R506	119-1031-15	1/10W 10k ohm	R628	119-1031-15	1/10W 10k ohm	TH601	002-0318-20	1206L020YR
R507	119-1031-15	1/10W 10k ohm	R629	119-4731-15	1/10W 47k ohm	TH602	002-0318-20	1206L020YR
R508	119-1031-15	1/10W 10k ohm	R630	032-0140-93	1/10W 2k ohm F	TM101	073-0762-90	TERMINAL
R509	119-1031-15	1/10W 10k ohm	R631	032-0140-98	1/10W 330 ohm F	TM301	073-0762-90	TERMINAL
R510	119-1031-15	1/10W 10k ohm	R632	119-1031-15	1/10W 10k ohm	TM401	073-0762-90	TERMINAL
R511	119-0000-05	1/10W 0 ohm JW	R633	116-2221-15	1/4W 2.2k ohm	TM701	073-0762-90	TERMINAL
R512	119-0000-05	1/10W 0 ohm JW	R634	116-2221-15	1/4W 2.2k ohm	X101	061-3515-90	7.2MHz
R513	119-1031-15	1/10W 10k ohm	R635	116-2221-15	1/4W 2.2k ohm	X301	061-3541-90	10.00MHz
R514	119-1031-15	1/10W 10k ohm	R637	119-1031-15	1/10W 10k ohm	X401	061-3537-90	41.6MHz
R515	119-1051-15	1/10W 1M ohm	R638	116-2221-15	1/4W 2.2k ohm	PWB	039-3369-00	PWB(WITHOUT COMPONENT)
R516	119-1051-15	1/10W 1M ohm	R639	119-4721-15	1/10W 4.7k ohm			
R517	119-1051-15	1/10W 1M ohm	R640	119-1031-15	1/10W 10k ohm			
R518	119-1051-15	1/10W 1M ohm	R642	116-1221-15	1/4W 1.2k ohm			

PANEL : Switch PWB(B2) section

REF No.	PART No.	DESCRIPTION	REF No.	PART No.	DESCRIPTION	REF No.	PART No.	DESCRIPTION
C801	168-1032-55	0.01uF K	D876	001-0516-90	MA111	R828	116-3921-15	1/4W 3.9k ohm
C802	163-4763-35	16V 47uF	D877	001-0516-90	MA111	R829	116-3321-15	1/4W 3.3k ohm
C803	168-2212-55	220pF K	D878	001-0516-90	MA111	R830	116-2721-15	1/4W 2.7k ohm
C804	168-1042-78	16V 0.1uF K	D879	001-0516-90	MA111	R831	119-1031-15	1/10W 10k ohm
C805	168-1032-55	0.01uF K	D880	001-0516-90	MA111	R832	119-4721-15	1/10W 4.7k ohm
C810	168-1042-78	16V 0.1uF K	D881	001-0516-90	MA111	R834	119-4721-15	1/10W 4.7k ohm
C815	168-1042-78	16V 0.1uF K	D882	001-0516-90	MA111	R835	119-2221-15	1/10W 2.2k ohm
C911	168-1042-78	16V 0.1uF K	D883	001-0516-90	MA111	R836	116-3321-15	1/4W 3.3k ohm
C912	168-1042-78	16V 0.1uF K	D884	001-0516-90	MA111	R838	116-3921-15	1/4W 3.9k ohm
C913	168-1042-78	16V 0.1uF K	D885	001-0516-90	MA111	R839	119-1031-15	1/10W 10k ohm
C914	168-1042-78	16V 0.1uF K	D886	001-0516-90	MA111	R840	119-1031-15	1/10W 10k ohm
C915	168-1042-78	16V 0.1uF K	D887	001-0516-90	MA111	R844	116-3321-15	1/4W 3.3k ohm
C916	168-4712-55	470pF K	D888	001-0516-90	MA111	R845	116-3921-15	1/4W 3.9k ohm
C920	168-4722-55	4700pF K	D889	001-0516-90	MA111	R848	119-1021-15	1/10W 1k ohm
D800	001-0529-32	MA8056-M	D890	001-0516-90	MA111	R849	119-4731-15	1/10W 47k ohm
D801	001-7089-90	FV1112H-740TR RED	D891	001-0516-90	MA111	R850	119-4721-15	1/10W 4.7k ohm
D802	001-7089-90	FV1112H-740TR RED	D892	001-0516-90	MA111	R851	119-4721-15	1/10W 4.7k ohm
D803	001-7089-90	FV1112H-740TR RED	D911	001-0529-38	MA8068-M	R852	119-1041-15	1/10W 100k ohm
D804	001-7089-90	FV1112H-740TR RED	D912	001-0529-38	MA8068-M	R853	119-1041-15	1/10W 100k ohm
D805	001-7089-90	FV1112H-740TR RED	D913	001-0529-38	MA8068-M	R854	119-4731-15	1/10W 47k ohm
D806	001-7089-90	FV1112H-740TR RED	D914	001-0529-38	MA8068-M	R855	119-4721-15	1/10W 4.7k ohm
D807	001-7089-90	FV1112H-740TR RED	D915	001-0529-38	MA8068-M	R856	119-4721-15	1/10W 4.7k ohm
D808	001-7089-90	FV1112H-740TR RED	D916	001-0529-38	MA8068-M	R857	119-1041-15	1/10W 100k ohm
D809	001-7089-90	FV1112H-740TR RED	IC801	052-7077-00	MB89475PFV-G-115	R858	119-1041-15	1/10W 100k ohm
D810	001-7089-90	FV1112H-740TR RED	IC911	051-6081-00	LC75810T	R859	119-4731-15	1/10W 47k ohm
D811	001-7089-90	FV1112H-740TR RED	J901	076-6000-54	4P	R860	119-4731-15	1/10W 47k ohm
D812	001-7089-90	FV1112H-740TR RED	J902	076-6000-54	4P	R861	119-1021-15	1/10W 1k ohm
D813	001-7089-90	FV1112H-740TR RED	LCD901	379-1423-50	LCD (INDICATOR)	R862	119-1021-15	1/10W 1k ohm
D814	001-7089-90	FV1112H-740TR RED	P801	074-3012-64	14P	R863	119-4731-15	1/10W 47k ohm
D817	001-7089-90	FV1112H-740TR RED	P901	074-3012-64	14P	R864	119-1021-15	1/10W 1k ohm
D818	001-7089-90	FV1112H-740TR RED	Q801	190-1736-00	2SA1736	R865	119-1021-15	1/10W 1k ohm
D819	001-7089-90	FV1112H-740TR RED	Q802	192-2712-50	2SC2712 Y,G,L	R866	119-4731-15	1/10W 47k ohm
D822	001-7089-90	FV1112H-740TR RED	Q803	190-1736-00	2SA1736	R867	119-4731-15	1/10W 47k ohm
D823	001-7089-90	FV1112H-740TR RED	Q804	125-2004-92	RN1402	R868	119-1021-15	1/10W 1k ohm
D825	001-7089-90	FV1112H-740TR RED	Q805	190-1736-00	2SA1736	R869	119-1021-15	1/10W 1k ohm
D826	001-7089-90	FV1112H-740TR RED	Q806	125-2004-92	RN1402	R871	119-1031-15	1/10W 10k ohm
D827	001-7089-90	FV1112H-740TR RED	Q807	125-2004-92	RN1402	R872	119-1031-15	1/10W 10k ohm
D828	001-7089-90	FV1112H-740TR RED	Q808	192-2712-50	2SC2712 Y,G,L	R873	119-4731-15	1/10W 47k ohm
D829	001-7089-90	FV1112H-740TR RED	Q811	192-3265-00	2SC3265	R874	119-1031-15	1/10W 10k ohm
D831	001-7089-90	FV1112H-740TR RED	Q812	192-2712-50	2SC2712 Y,G,L	R876	119-1031-15	1/10W 10k ohm
D832	001-7089-90	FV1112H-740TR RED	Q813	192-3265-00	2SC3265	R878	119-1031-15	1/10W 10k ohm
D833	001-7089-90	FV1112H-740TR RED	Q815	192-2712-50	2SC2712 Y,G,L	R880	119-4721-15	1/10W 4.7k ohm
D834	001-7089-90	FV1112H-740TR RED	Q816	125-9003-92	IMD3	R881	119-1031-15	1/10W 10k ohm
D837	001-7089-90	FV1112H-740TR RED	Q818	192-2712-50	2SC2712 Y,G,L	R883	119-4721-15	1/10W 4.7k ohm
D838	001-7089-90	FV1112H-740TR RED	R801	119-2231-15	1/10W 22k ohm	R885	119-0000-05	1/10W 0 ohm JW
D840	001-7089-90	FV1112H-740TR RED	R802	119-2231-15	1/10W 22k ohm	R901	119-1021-15	1/10W 1k ohm
D841	001-7089-90	FV1112H-740TR RED	R803	119-3331-15	1/10W 33k ohm	R902	119-1021-15	1/10W 1k ohm
D842	001-7089-90	FV1112H-740TR RED	R804	119-3331-15	1/10W 33k ohm	R903	119-1021-15	1/10W 1k ohm
D843	001-7089-90	FV1112H-740TR RED	R805	117-6811-15	1/8W 680 ohm	R904	119-1021-15	1/10W 1k ohm
D845	001-7089-90	FV1112H-740TR RED	R806	119-2221-15	1/10W 2.2k ohm	R905	119-1011-15	1/10W 100 ohm
D846	001-7089-90	FV1112H-740TR RED	R807	119-1031-15	1/10W 10k ohm	R906	119-1011-15	1/10W 100 ohm
D851	001-7089-90	FV1112H-740TR RED	R808	116-3321-15	1/4W 3.3k ohm	R907	119-4731-15	1/10W 47k ohm
D852	001-7089-90	FV1112H-740TR RED	R809	119-1031-15	1/10W 10k ohm	R908	119-1031-15	1/10W 10k ohm
D853	001-7089-90	FV1112H-740TR RED	R810	116-3321-15	1/4W 3.3k ohm	R909	119-1021-15	1/10W 1k ohm
D854	001-7089-90	FV1112H-740TR RED	R811	119-2221-15	1/10W 2.2k ohm	R910	119-1021-15	1/10W 1k ohm
D855	001-7089-90	FV1112H-740TR RED	R812	116-3921-15	1/4W 3.9k ohm	R911	119-1021-15	1/10W 1k ohm
D856	001-7089-90	FV1112H-740TR RED	R813	116-3921-15	1/4W 3.9k ohm	R912	119-4721-15	1/10W 4.7k ohm
D857	001-7089-90	FV1112H-740TR RED	R814	116-3921-15	1/4W 3.9k ohm	R913	119-4721-15	1/10W 4.7k ohm
D858	001-7089-90	FV1112H-740TR RED	R815	116-1821-15	1/4W 1.8k ohm	R914	119-4721-15	1/10W 4.7k ohm
D859	001-7089-90	FV1112H-740TR RED	R816	119-1031-15	1/10W 10k ohm	R915	119-4721-15	1/10W 4.7k ohm
D860	001-7089-90	FV1112H-740TR RED	R817	116-1821-15	1/4W 1.8k ohm	R916	119-1021-15	1/10W 1k ohm
D861	001-0516-90	MA111	R818	116-3321-15	1/4W 3.3k ohm	TM801	073-0778-90	TERMINAL
D862	001-0516-90	MA111	R819	116-1821-15	1/4W 1.8k ohm	TM807	073-0778-90	TERMINAL
D863	001-0516-90	MA111	R820	116-3921-15	1/4W 3.9k ohm	TM808	073-0778-90	TERMINAL
D864	001-0516-90	MA111	R821	116-3321-15	1/4W 3.3k ohm	TM809	073-0778-90	TERMINAL
D865	001-0516-90	MA111	R822	116-3921-15	1/4W 3.9k ohm	VR801	016-0018-31	ROTARY ENCODER
D871	001-0516-90	MA111	R823	116-1821-15	1/4W 1.8k ohm	VR802	016-0018-31	ROTARY ENCODER
D872	001-0516-90	MA111	R824	116-3921-15	1/4W 3.9k ohm	X801	060-1537-90	CSTCE12M5G52
D873	001-0516-90	MA111	R825	116-3321-15	1/4W 3.3k ohm	PWB	039-3370-00	PWB(WITHOUT COMPONENT)
D874	001-0516-90	MA111	R826	116-3921-15	1/4W 3.9k ohm			
D875	001-0516-90	MA111	R827	116-1821-15	1/4W 1.8k ohm			

EXPLODED VIEW/PARTS LIST



NO.	PART NO.	DESCRIPTION	Q'TY	NO.	PART NO.	DESCRIPTION	Q'TY
1	-----	SENSOR PWB	1	40	621-1751-20	POWER GEAR D	1
2	-----	CD PWB	1	41	621-1752-20	DISC STOPPER	1
3	SMA-182-100	SPINDLE MOTOR-ASSY	1	42	621-1753-20	CLAMPER RING	1
4	SMA-183-100	SLED MOTOR-ASSY	1	43	621-1754-20	GEAR BASE	1
5	345-5476-20	CUSHION RUBBER	1	44	622-1571-21	ROLLER SHAFT	1
6	620-1023-23	CLAMPER PLATE	1	45	624-0020-00	LEAD SCREW	1
7	620-1026-21	SPRING PLATE	1	46	629-0086-20	DAMPER F	2
8	620-1596-23	CLAMPER LINK	1	47	629-0087-20	DAMPER R	1
9	620-1862-20	UPPER CHASSIS	1	48	716-1507-01	SCREW(M2x3)	3
10	620-1752-20	SENSOR ARM	1	49	716-1670-01	SCREW(M2x4)	4
11	620-1753-20	ID-LOCK PLATE	1	50	716-1733-01	SCREW(M1.7x2.3)	2
12	620-1868-20	LOWER CHASSIS	1	51	716-3469-01	SCREW(1.7x4)	2
13	621-0608-21	SECOND GEAR	1	52	716-3473-01	SCREW(M2x3)	1
14	621-0609-20	BASE GEAR	1	53	716-3551-00	SCREW(M1.4x2.5)	2
15	621-0610-20	IDLE GEAR A	1	54	750-7865-20	SHIFT SPRING	1
16	621-0611-20	IDLE GEAR B	1	55	750-7866-20	RACK SPRING	1
17	621-0612-21	ROLLER GEAR A	1	56	750-7867-20	CLAMPER SPRING	1
18	621-0620-20	THREAD GEAR A	1	57	750-7868-20	ID-LOCK SPRING	1
19	621-0621-20	THREAD GEAR B	1	58	750-7869-20	SENSOR SPRING	1
20	621-0623-23	LS-HOLDER	1	59	750-7870-20	DR-SPRING F	2
21	621-0624-22	GUIDE RAIL	1	60	750-7871-20	DR-SPRING RA	1
22	621-0711-21	LOADING ROLLER	2	61	750-7872-20	DR-SPRING RB	1
23	621-0718-21	ROLLER GUIDE	1	62	750-7873-20	DR-SPRING C	1
24	621-0719-20	ROLLER GEAR B	1	63	750-6797-20	ROLLER SPRING L	1
25	621-0720-20	ROLLER GEAR C	1	64	750-6798-20	ROLLER SPRING R	1
26	621-0721-20	ROLLER GEAR D	1	65	714-2003-8B	SCREW(M2x3)	2
27	621-0728-20	STOPPER LINK	1	66	780-2025-00	SCREW(M2x2.5)	3
28	621-1719-20	IDLE CASE	1	67	781-1730-00	SCREW(M1.7x3)	1
29	621-1726-20	ROLLER SLEEVE	2	68	803-4906-60	VINYL-COAT-WIRE(ORG)	1
30	621-1729-20	SH-BASE	1	69	816-2542-01	FLAT WIRE	1
31	621-1742-20	UPPER GUIDE	1	70	816-2590-00	VINYL-COAT-WIRE(GRN)	1
32	621-1743-20	SHIFT LEVER	1	71	816-2591-00	VINYL-COAT-WIRE(YEL)	1
33	621-1744-20	RACK	1	72	816-2592-00	VINYL-COAT-WIRE(BLUE)	1
34	621-1745-20	LOCK ARM L	1	73	816-2593-00	VINYL-COAT-WIRE(PUR)	1
35	621-1746-20	LOCK ARM R	1	74	966-1722-20	SH-RACK-ASSY	1
36	621-1747-20	GEAR COVER	1	75	620-1866-20	DRIVE-PLATE	1
37	621-1748-20	POWER GEAR A	1	76	969-0071-30	PICKUP-ASSY	1
38	621-1749-20	POWER GEAR B	1	77	622-1570-21	DAMPER PIN	3
39	621-1750-20	POWER GEAR C	1				

ELECTRICAL PARTS LIST

CD PWB(BM1) section

Note) Several different parts of the same reference number are alternative parts.
One of those parts is used in the set.

REF No.	PART No.	DESCRIPTION	REF No.	PART No.	DESCRIPTION	REF No.	PART No.	DESCRIPTION
C2	178-1052-78	1uF	C68	168-1042-78	16V 0.1uF	R20	119-5121-15	1/10W 5.1k ohm
C3	042-0627-90	16V 100uF	C69	042-1710-90	6.3V 100uF	R21	119-1031-15	1/10W 10k ohm
C4	168-1042-78	16V 0.1uF	C74	042-1709-90	6.3V 47uF	R22	119-2231-15	1/10W 22k ohm
C6	178-1052-78	1uF	C75	168-1042-78	16V 0.1uF	R23	119-5121-15	1/10W 5.1k ohm
C7	042-0560-85	6.3V 100uF	C77	168-1042-78	16V 0.1uF	R24	119-1031-15	1/10W 10k ohm
C8	178-1052-78	1uF	C78	168-1022-55	1000pF K	R25	119-1041-15	1/10W 100k ohm
C9	166-4711-50	470pF CH	C79	168-1022-55	1000pF K	R26	119-0000-05	1/10W 0 ohm JW
C10	168-4732-78	0.047uF K	C80	042-0423-20	10V-10uF	R27	119-4731-15	1/10W 47k ohm
C11	166-4711-50	470pF CH	C81	168-1042-78	16V 0.1uF	R29	119-5621-15	1/10W 5.6k ohm
C12	168-4732-78	0.047uF K	D1	001-1305-90	DAN217UT106	R30	119-2231-15	1/10W 22k ohm
C14	168-1042-78	16V 0.1uF	IC1	051-6733-10	TC94A70FG-005	R31	119-4731-15	1/10W 47k ohm
C15	166-1007-50	10pF CH	IC2	051-6079-80	BA5830FM-E2	R32	119-3341-15	1/10W 330k ohm
C16	166-1007-50	10pF CH	IC3	051-3395-90	NJU7780U1-15-TES	R33	119-1041-15	1/10W 100k ohm
C17	168-1042-78	16V 0.1uF	IC4	051-3396-90	NJM2386ADL3-33-TE1	R34	119-1041-15	1/10W 100k ohm
C18	168-2222-55	2200pF K	J1	074-1138-65	SOCKET (15P)	R35	119-1041-15	1/10W 100k ohm
C19	168-1042-78	16V 0.1uF	J2	074-1138-60	SOCKET (10P)	R36	119-1011-15	1/10W 100 ohm
C20	168-1042-78	16V 0.1uF	J3	074-1205-88	SOCKET (38P)	R38	119-1041-15	1/10W 100k ohm
C22	168-6822-55	6800pF K	L1	119-0000-05	1/10 0ohm JW	R39	119-0000-05	1/10W 0 ohm JW
C24	168-3332-78	0.033uF K	L2	119-0000-05	1/10 0ohm JW	R41	119-4721-15	1/10W 4.7k ohm
C25	168-3332-78	0.033uF K	L3	119-0000-05	1/10 0ohm JW	R42	119-4721-15	1/10W 4.7k ohm
C26	168-1042-78	16V 0.1uF	L4	010-3104-50	30ohm/100MHZ	R44	119-4731-15	1/10W 47k ohm
C28	168-1042-78	16V 0.1uF	L5	010-3406-66	22uH J	R45	119-1031-15	1/10W 1k ohm
C29	168-1042-78	16V 0.1uF	Q1	131-1188-50	2SB1188 Q,R	R46	119-4731-15	1/10W 47k ohm
C30	168-1042-78	16V 0.1uF	Q1	190-2060-00	2SA2060-TE12L	R47	119-4731-15	1/10W 47k ohm
C31	168-1042-78	16V 0.1uF	Q2	198-3018-00	2SK3018	R48	119-1031-15	1/10W 10k ohm
C33	168-1042-78	16V 0.1uF	Q3	198-3018-00	2SK3018	R49	119-1031-15	1/10W 10k ohm
C34	168-1042-78	16V 0.1uF	Q4	192-4155-51	2SC4155A S,T	R50	119-2211-15	1/10W 220 ohm
C35	168-5622-55	5600pF K	Q5	198-3018-00	2SK3018	R51	119-1031-15	1/10W 10k ohm
C36	168-1042-78	16V 0.1uF	Q6	192-4155-51	2SC4155A S,T	R52	119-1031-15	1/10W 10k ohm
C37	168-5622-55	5600pF K	Q7	198-3018-00	2SK3018	R53	119-2211-15	1/10W 220 ohm
C38	166-6801-50	68pF	Q8	198-3018-00	2SK3018	R54	119-3331-15	1/10W 33k ohm
C39	168-1042-78	16V 0.1uF	R1	119-2211-15	1/10W 220 ohm	R55	119-4721-15	1/10W 4.7k ohm
C40	168-1532-55	0.015uF K	R2	117-6811-15	1/8W 680 ohm	R56	119-3331-15	1/10W 33k ohm
C41	168-1042-78	16V 0.1uF	R3	117-0000-05	1/8W 0 ohm JW	R57	119-4721-15	1/10W 4.7k ohm
C42	168-1032-55	0.01uF K	R4	119-1001-15	1/10W 10 ohm	R58	119-3331-15	1/10W 33k ohm
C43	168-1042-78	16V 0.1uF	R5	119-2731-15	1/10W 27k ohm	R59	119-4721-15	1/10W 4.7k ohm
C44	168-1042-78	16V 0.1uF	R6	119-2731-15	1/10W 27k ohm	R60	119-3331-15	1/10W 33k ohm
C46	168-1522-55	1500pF K	R7	119-2221-15	1/10W 2.2k ohm	R61	119-4721-15	1/10W 4.7k ohm
C47	168-3322-55	3300pF K	R8	119-2731-15	1/10W 27k ohm	R62	119-3331-15	1/10W 33k ohm
C48	168-1032-55	0.01uF K	R9	119-2731-15	1/10W 27k ohm	R63	119-4721-15	1/10W 4.7k ohm
C49	168-1042-78	16V 0.1uF	R10	119-1051-15	1/10W 1M ohm	R64	119-1051-15	1/10W 1M ohm
C54	168-1532-55	0.015uF K	R11	119-2211-15	1/10W 220 ohm	R65	119-4701-15	1/10W 47 ohm
C55	168-1042-78	16V 0.1uF	R13	119-8231-15	1/10W 82k ohm	R66	119-1051-15	1/10W 1M ohm
C56	168-1042-78	16V 0.1uF	R14	119-1531-15	1/10W 15k ohm	R68	119-1031-15	1/10W 10k ohm
C58	166-6097-50	6pF CH	R15	119-8231-15	1/10W 82k ohm	TM1	073-0768-90	TERMINAL
C59	166-4701-50	47pF CH	R16	119-4731-15	1/10W 47k ohm	X1	061-3534-90	16.92MHz
C60	168-1042-78	16V 0.1uF	R17	119-5121-15	1/10W 5.1k ohm	PWB	039-3205-01	PWB(WITHOUT COMPONENTS)
C63	168-1042-78	16V 0.1uF	R18	119-1031-15	1/10W 10k ohm			
C64	042-1709-90	6.3V 47uF	R19	119-0000-05	1/10W 0 ohm JW			
C66	168-1042-78	16V 0.1uF						

SENSOR PWB(BM2) section

REF No.	PART No.	DESCRIPTION	REF No.	PART No.	DESCRIPTION	REF No.	PART No.	DESCRIPTION
D1	001-7058-90	AN1105W-RR	Q1	060-4015-91	PS1192HB-32-TR	S2	013-7413-50	LIMIT
D2	001-7058-90	AN1105W-RR	Q2	060-4015-91	PS1192HB-32-TR	PWB	039-1944-21	PWB(WITHOUT COMPONENTS)
J1	074-1138-60	10P	S1	013-7414-50	CHUCKING			