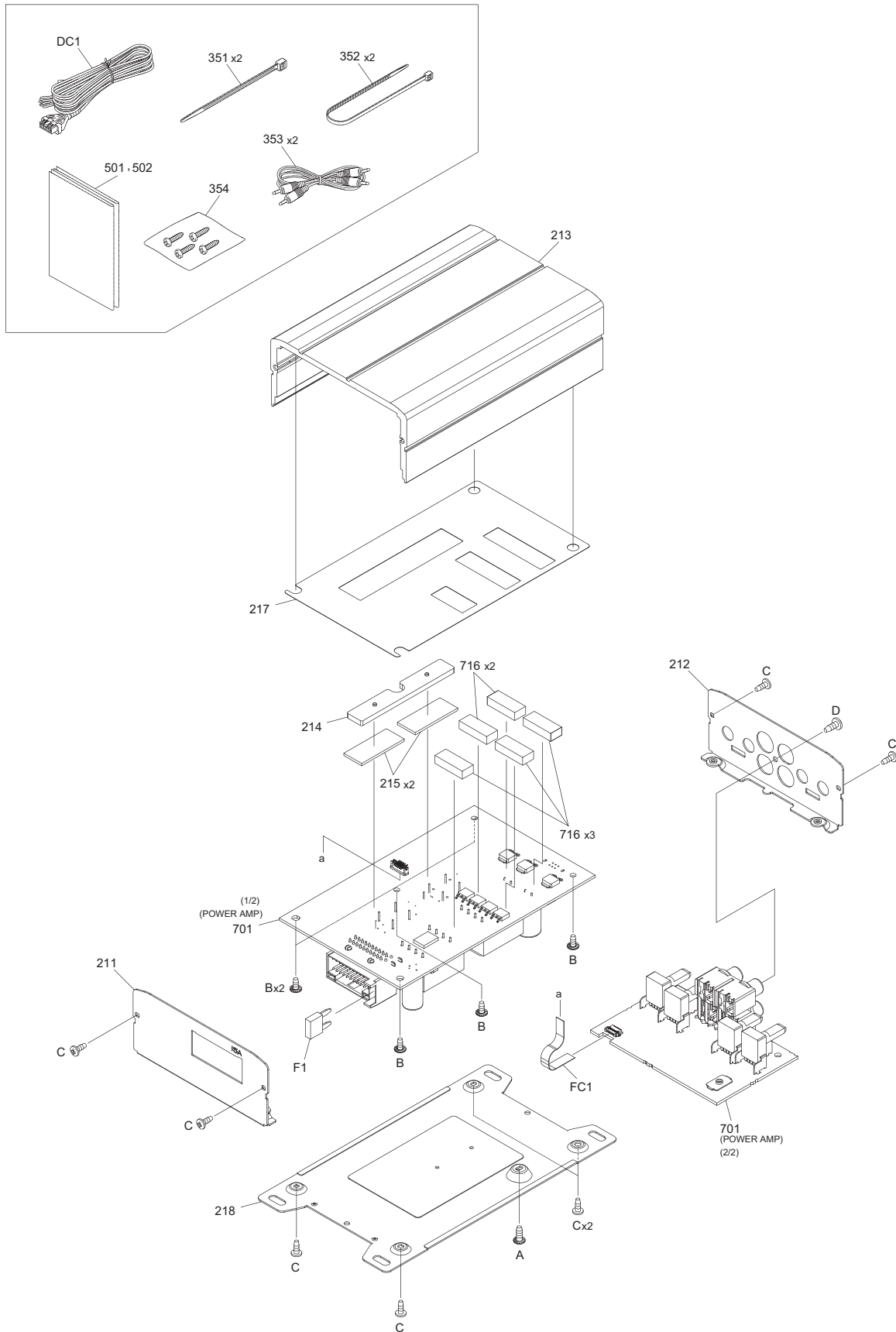


# EXPLODED VIEW

Block No.M1MM



Parts with the exploded numbers larger than 700 are not supplied.

MODEL	MARK	MODEL	MARK
KAC-M1814	W1	KAC-M1814	K0

Safe	Symbol No.	Parts No.	Parts Name	Description	QTY	Local
------	------------	-----------	------------	-------------	-----	-------

EXPLODED VIEW (UNIT) <M1MM>

△	DC1	E3A-0600-00	DC CORD		1	
△	F1	FZB10AU-150	BLADE FUSE	15A	1	
	FC1	EF0AD051005BF	FFC WIRE		1	
	A	N09-6944-05	TAPTITE SCREW		1	
	B	N09-6952-05	TAPTITE SCREW		5	
	C	N89-2608-43	BI.HEAD T.SCREW		8	
	D	N89-3008-43	BI.HEAD T.SCREW		1	
	211	A6D-0138-00	PANEL		1	
	212	A6D-0033-10	PANEL		1	
	213	F0B-0180-00	HEAT SINK ASSY		1	
	214	F0B-0042-00	HEAT SINK		1	
	215	F0C-0011-00	COOL SHEET		2	
	217	F2A-0082-00	INS.SHEET		1	
	218	A4A-0052-00	BOTTOM PLATE		1	
	351	J61-0620-05	WIRE BAND		2	
	352	J6B-0006-00	WIRE BAND		2	
	353	E3A-0095-00	CORD W.PINPLUG		2	
	354	N99-1840-05	SCREW SET		1	
	501	B5A-2821-00	INST.MANUAL	ENG FRE SPA	1	
	502	B5A-2822-00	INST.MANUAL	GER DUT ITA POR	1	W1
	701	-----	POWER AMP PWB ASSY	NO SERVICE PART	1	
	716	-----	INS.SHEET	NO SERVICE PART	5	

MODEL	MARK	MODEL	MARK
KAC-M1814	W1	KAC-M1814	K0

Safe	Symbol No.	Parts No.	Parts Name	Description	QTY	Local
<b>POWER AMP PWB ASSY (XK1-103K-00) &lt;XK1&gt;</b>						
	IC4	IR4302MPBF	MOS IC		1	
	IC5	IR4302MPBF	MOS IC		1	
	IC6	NJM8065G	ANALOG IC		1	
	IC7	NJM8065G	ANALOG IC		1	
	IC8	BA10358F	ANALOGUE IC		1	
	IC9	TL494ID	ANALOG IC		1	
	IC10	NJM8065G	ANALOG IC		1	
	IC11	NJM8065G	ANALOG IC		1	
	IC12	NJM8065G	ANALOG IC		1	
	IC14	BA10358F	ANALOGUE IC		1	
	IC501	NJM8065G	ANALOG IC		1	
	IC502	NJM8065G	ANALOG IC		1	
	IC503	NJM8065G	ANALOG IC		1	
	IC505	NJM8065G	ANALOG IC		1	
	IC507	NJM8065G	ANALOG IC		1	
	IC509	NJM8065G	ANALOG IC		1	
	IC511	NJM8065G	ANALOG IC		1	
	IC512	NJM8065G	ANALOG IC		1	
	IC601	NJM8065G	ANALOG IC		1	
	IC602	NJM8065G	ANALOG IC		1	
	IC603	NJM8065G	ANALOG IC		1	
	IC605	NJM8065G	ANALOG IC		1	
	IC607	NJM8065G	ANALOG IC		1	
	IC609	NJM8065G	ANALOG IC		1	
	IC611	NJM8065G	ANALOG IC		1	
	IC612	NJM8065G	ANALOG IC		1	
	Q3	LSCR523UBFS8	TRANSISTOR		1	
	Q4	LSCR523UBFS8	TRANSISTOR		1	
	Q5	LSCR523UBFS8	TRANSISTOR		1	
	Q6	LTC014EUBFS8	DIGI TRANSISTOR		1	
	Q7	LSCR523UBFS8	TRANSISTOR		1	
	Q103	LSCR523UBFS8	TRANSISTOR		1	
	Q205	IPD50N06S4-09	FET		1	
	Q207	IPD50N06S4-09	FET		1	
	Q208	2SA1577/PQR/	TRANSISTOR		1	
	Q209	2SA1577/PQR/	TRANSISTOR		1	
	Q210	LTC014EUBFS8	DIGI TRANSISTOR		1	
	Q211	LTC014EUBFS8	DIGI TRANSISTOR		1	
	Q212	LTA014EUBFS8	DIGI TRANSISTOR		1	
	Q213	2SAR293P	TRANSISTOR		1	
	Q214	LSCR523UBFS8	TRANSISTOR		1	
	Q215	LSCR523UBFS8	TRANSISTOR		1	
	Q216	2SCR533D	TRANSISTOR		1	
	Q217	2SAR533D	TRANSISTOR		1	
	Q218	2SCR533D	TRANSISTOR		1	
	Q221	LSAR523UBFS8	TRANSISTOR		1	
	Q222	LSCR523UBFS8	TRANSISTOR		1	
	Q226	2SCR293P	TRANSISTOR		1	
	Q227	2SAR293P	TRANSISTOR		1	
	Q229	LSCR523UBFS8	TRANSISTOR		1	
	Q230	LTA014EUBFS8	DIGI TRANSISTOR		1	
	Q231	2SC2713F/GB/	TRANSISTOR		1	
	Q232	LSCR523UBFS8	TRANSISTOR		1	
	Q237	LTC014EUBFS8	DIGI TRANSISTOR		1	
	Q238	LTA014EUBFS8	DIGI TRANSISTOR		1	
	Q239	LTA014EUBFS8	DIGI TRANSISTOR		1	
	Q240	LTA014EUBFS8	DIGI TRANSISTOR		1	
	Q501	LSCR523UBFS8	TRANSISTOR		1	
	Q502	LSCR523UBFS8	TRANSISTOR		1	
	Q601	LSCR523UBFS8	TRANSISTOR		1	
	Q602	LSCR523UBFS8	TRANSISTOR		1	
	Q701	LTA014EUBFS8	DIGI TRANSISTOR		1	
	Q702	LSCR523UBFS8	TRANSISTOR		1	
	D5	1SS355VM	DIODE		1	
	D6	1SS355VM	DIODE		1	
	D7	1SS355VM	DIODE		1	
	D8	1SS355VM	DIODE		1	
	D9	1SS355VM	DIODE		1	
	D10	1SS355VM	DIODE		1	
	D11	RF05VAM2S	DIODE		1	
	D12	RF05VAM2S	DIODE		1	
	D13	UDZV4.7B	ZENER DIODE		1	
	D14	UDZV3.3B	ZENER DIODE		1	
	D15	UDZV3.3B	ZENER DIODE		1	
	D16	UDZV4.7B	ZENER DIODE		1	
	D17	UDZV7.5B	ZENER DIODE		1	
	D18	1SS355VM	DIODE		1	
	D19	UDZV15B	ZENER DIODE		1	
	D105	1SS355VM	DIODE		1	
	D106	1SS355VM	DIODE		1	
	D107	1SS355VM	DIODE		1	
	D108	1SS355VM	DIODE		1	
	D109	1SS355VM	DIODE		1	
	D110	1SS355VM	DIODE		1	
	D111	RF05VAM2S	DIODE		1	
	D112	RF05VAM2S	DIODE		1	
	D200	1SS355VM	DIODE		1	
	D201	UDZV15B	ZENER DIODE		1	
	D202	UDZV12B	ZENER DIODE		1	
	D203	1SS355VM	DIODE		1	
	D204	1SS355VM	DIODE		1	

MODEL	MARK	MODEL	MARK
KAC-M1814	W1	KAC-M1814	K0

Safe	Symbol No.	Parts No.	Parts Name	Description	QTY	Local
	D205	1SS355VM	DIODE		1	
	D206	1SS355VM	DIODE		1	
	D207	UDZV3.3B	ZENER DIODE		1	
	D208	UDZV15B	ZENER DIODE		1	
	D209	UDZV12B	ZENER DIODE		1	
	D210	UDZV12B	ZENER DIODE		1	
	D211	UDZV12B	ZENER DIODE		1	
	D212	UDZV5.6B	ZENER DIODE		1	
	D213	UDZV5.6B	ZENER DIODE		1	
	D214	UDZV5.1B	ZENER DIODE		1	
	D216	1SS355VM	DIODE		1	
	D217	1SS355VM	DIODE		1	
	D218	UDZV5.6B	ZENER DIODE		1	
	D219	1SS355VM	DIODE		1	
	D220	1SS355VM	DIODE		1	
	D221	DAN202UM	DIODE		1	
	D224	RFN3BM2S	DIODE		1	
	D225	RFN3BM2S	DIODE		1	
	D226	RFN3BM2S	DIODE		1	
	D227	RFN3BM2S	DIODE		1	
	D229	1SS355VM	DIODE		1	
	D232	UDZV6.8B	ZENER DIODE		1	
	D233	1SS355VM	DIODE		1	
	D235	DAP202UM	DIODE		1	
	D501	DA204U	MULTIPLE DIODE		1	
	D502	DA204U	MULTIPLE DIODE		1	
	D503	DA204U	MULTIPLE DIODE		1	
	D504	DA204U	MULTIPLE DIODE		1	
	D601	DA204U	MULTIPLE DIODE		1	
	D602	DA204U	MULTIPLE DIODE		1	
	D603	DA204U	MULTIPLE DIODE		1	
	D604	DA204U	MULTIPLE DIODE		1	
	D701	DAN202UM	DIODE		1	
	C18	CC73HCH1H101J	C CAPACITOR	100pF 50V J	1	
	C21	CC73HCH1H471J	C CAPACITOR	470pF 50V J	1	
	C22	CC73HCH1H471J	C CAPACITOR	470pF 50V J	1	
	C23	CC73HCH1H102J	C CAPACITOR	1000pF 50V J	1	
	C24	CC73HCH1H102J	C CAPACITOR	1000pF 50V J	1	
	C25	CC73HCH1H102J	C CAPACITOR	1000pF 50V J	1	
	C26	CC73HCH1H102J	C CAPACITOR	1000pF 50V J	1	
	C27	CC73HCH1H102J	C CAPACITOR	1000pF 50V J	1	
	C28	CC73HCH1H102J	C CAPACITOR	1000pF 50V J	1	
	C29	CK73FXR1C106K	C CAPACITOR	10uF 16V K	1	
	C30	CK73FXR1C106K	C CAPACITOR	10uF 16V K	1	
	C31	CK73HXR1H104K	C CAPACITOR	0.1uF 50V K	1	
	C32	CK73FXR1C106K	C CAPACITOR	10uF 16V K	1	
	C33	CK73HXR1H104K	C CAPACITOR	0.1uF 50V K	1	
	C34	CK73HXR1H104K	C CAPACITOR	0.1uF 50V K	1	
	C35	CK73FXR1C106K	C CAPACITOR	10uF 16V K	1	
	C36	CK73FXR1C106K	C CAPACITOR	10uF 16V K	1	
	C37	CC73HCH1H102J	C CAPACITOR	1000pF 50V J	1	
	C38	CC73HCH1H102J	C CAPACITOR	1000pF 50V J	1	
	C39	CC73HCH1H102J	C CAPACITOR	1000pF 50V J	1	
	C40	CC73HCH1H102J	C CAPACITOR	1000pF 50V J	1	
	C41	CC73HCH1H102J	C CAPACITOR	1000pF 50V J	1	
	C42	CC73HCH1H102J	C CAPACITOR	1000pF 50V J	1	
	C43	CC73HCH1H102J	C CAPACITOR	1000pF 50V J	1	
	C44	CC73HCH1H102J	C CAPACITOR	1000pF 50V J	1	
	C45	CK73FXR1H224K	C CAPACITOR	0.22uF 50V K	1	
	C46	CK73FXR1H224K	C CAPACITOR	0.22uF 50V K	1	
	C47	CK73FXR1H224K	C CAPACITOR	0.22uF 50V K	1	
	C48	CK73FXR1H224K	C CAPACITOR	0.22uF 50V K	1	
	C49	CC73HCH1H151J	C CAPACITOR	150pF 50V J	1	
	C50	CC73HCH1H151J	C CAPACITOR	150pF 50V J	1	
	C51	CE32CC1V220M	E CAPACITOR	22uF 35V M	1	
	C52	CE32CC1V220M	E CAPACITOR	22uF 35V M	1	
	C53	CK73HXR1H104K	C CAPACITOR	0.1uF 50V K	1	
	C54	CK73HXR1H104K	C CAPACITOR	0.1uF 50V K	1	
	C55	CK73HXR1H104K	C CAPACITOR	0.1uF 50V K	1	
	C56	CK73HXR1H104K	C CAPACITOR	0.1uF 50V K	1	
	C57	CB19EAW1H474J	FILM CAPACITOR	0.47uF 50V J	1	
	C58	CB19EAW1H474J	FILM CAPACITOR	0.47uF 50V J	1	
	C59	CK73HXR1H104K	C CAPACITOR	0.1uF 50V K	1	
	C60	CK73HXR1H104K	C CAPACITOR	0.1uF 50V K	1	
	C61	CK73HXR1H103K	C CAPACITOR	0.01uF 50V K	1	
	C62	CK73HXR1H103K	C CAPACITOR	0.01uF 50V K	1	
	C63	CK73HXR1H104K	C CAPACITOR	0.1uF 50V K	1	
	C64	CK73FXR1C106K	C CAPACITOR	10uF 16V K	1	
	C65	CE32CL1C100M	E CAPACITOR	10uF 16V M	1	
	C66	CE32CL1C100M	E CAPACITOR	10uF 16V M	1	
	C67	CC73HCH1H331J	C CAPACITOR	330pF 50V J	1	
	C68	CK73HXR1H103K	C CAPACITOR	0.01uF 50V K	1	
	C69	CK73HXR1H103K	C CAPACITOR	0.01uF 50V K	1	
	C70	CC73HCH1H102J	C CAPACITOR	1000pF 50V J	1	
	C71	CC73HCH1H331J	C CAPACITOR	330pF 50V J	1	
	C72	CC73HCH1H102J	C CAPACITOR	1000pF 50V J	1	
	C73	CC73HCH1H331J	C CAPACITOR	330pF 50V J	1	
	C74	CC73HCH1H102J	C CAPACITOR	1000pF 50V J	1	
	C75	CC73HCH1H331J	C CAPACITOR	330pF 50V J	1	
	C76	CC73HCH1H102J	C CAPACITOR	1000pF 50V J	1	
	C77	CK73HXR1H103K	C CAPACITOR	0.01uF 50V K	1	
	C78	CK73HXR1H103K	C CAPACITOR	0.01uF 50V K	1	

MODEL	MARK	MODEL	MARK
KAC-M1814	W1	KAC-M1814	K0

Safe	Symbol No.	Parts No.	Parts Name	Description	QTY	Local
	C79	CK73HCH1H680J	C CAPACITOR	68pF 50V J	1	
	C80	CK73GXR1C225K	C CAPACITOR	2.2uF 16V K	1	
	C81	CK73HXR1H103K	C CAPACITOR	0.01uF 50V K	1	
	C82	CK73HXR1H103K	C CAPACITOR	0.01uF 50V K	1	
	C89	CK73HXR1H103K	C CAPACITOR	0.01uF 50V K	1	
	C90	CK73FXR1C106K	C CAPACITOR	10uF 16V K	1	
	C91	CK73HXR1C105K	C CAPACITOR	1uF 16V K	1	
	C92	CK73HXR1C105K	C CAPACITOR	1uF 16V K	1	
	C93	CC73HCH1H102J	C CAPACITOR	1000pF 50V J	1	
	C94	CK73HXR1H103K	C CAPACITOR	0.01uF 50V K	1	
	C121	CC73HCH1H471J	C CAPACITOR	470pF 50V J	1	
	C122	CC73HCH1H471J	C CAPACITOR	470pF 50V J	1	
	C123	CC73HCH1H102J	C CAPACITOR	1000pF 50V J	1	
	C124	CC73HCH1H102J	C CAPACITOR	1000pF 50V J	1	
	C125	CC73HCH1H102J	C CAPACITOR	1000pF 50V J	1	
	C126	CC73HCH1H102J	C CAPACITOR	1000pF 50V J	1	
	C127	CC73HCH1H102J	C CAPACITOR	1000pF 50V J	1	
	C128	CC73HCH1H102J	C CAPACITOR	1000pF 50V J	1	
	C129	CK73FXR1C106K	C CAPACITOR	10uF 16V K	1	
	C130	CK73FXR1C106K	C CAPACITOR	10uF 16V K	1	
	C131	CK73HXR1H104K	C CAPACITOR	0.1uF 50V K	1	
	C132	CK73FXR1C106K	C CAPACITOR	10uF 16V K	1	
	C133	CK73HXR1H104K	C CAPACITOR	0.1uF 50V K	1	
	C134	CK73HXR1H104K	C CAPACITOR	0.1uF 50V K	1	
	C135	CK73FXR1C106K	C CAPACITOR	10uF 16V K	1	
	C136	CK73FXR1C106K	C CAPACITOR	10uF 16V K	1	
	C137	CC73HCH1H102J	C CAPACITOR	1000pF 50V J	1	
	C138	CC73HCH1H102J	C CAPACITOR	1000pF 50V J	1	
	C139	CC73HCH1H102J	C CAPACITOR	1000pF 50V J	1	
	C140	CC73HCH1H102J	C CAPACITOR	1000pF 50V J	1	
	C141	CC73HCH1H102J	C CAPACITOR	1000pF 50V J	1	
	C142	CC73HCH1H102J	C CAPACITOR	1000pF 50V J	1	
	C143	CC73HCH1H102J	C CAPACITOR	1000pF 50V J	1	
	C144	CC73HCH1H102J	C CAPACITOR	1000pF 50V J	1	
	C145	CK73FXR1H224K	C CAPACITOR	0.22uF 50V K	1	
	C146	CK73FXR1H224K	C CAPACITOR	0.22uF 50V K	1	
	C147	CK73FXR1H224K	C CAPACITOR	0.22uF 50V K	1	
	C148	CK73FXR1H224K	C CAPACITOR	0.22uF 50V K	1	
	C149	CC73HCH1H151J	C CAPACITOR	150pF 50V J	1	
	C150	CC73HCH1H151J	C CAPACITOR	150pF 50V J	1	
	C151	CE32CC1V220M	E CAPACITOR	22uF 35V M	1	
	C152	CE32CC1V220M	E CAPACITOR	22uF 35V M	1	
	C153	CK73HXR1H104K	C CAPACITOR	0.1uF 50V K	1	
	C154	CK73HXR1H104K	C CAPACITOR	0.1uF 50V K	1	
	C155	CK73HXR1H104K	C CAPACITOR	0.1uF 50V K	1	
	C156	CK73HXR1H104K	C CAPACITOR	0.1uF 50V K	1	
	C157	CB19EAW1H474J	FILM CAPACITOR	0.47uF 50V J	1	
	C158	CB19EAW1H474J	FILM CAPACITOR	0.47uF 50V J	1	
	C159	CK73HXR1H104K	C CAPACITOR	0.1uF 50V K	1	
	C160	CK73HXR1H104K	C CAPACITOR	0.1uF 50V K	1	
	C161	CK73HXR1H103K	C CAPACITOR	0.01uF 50V K	1	
	C162	CK73HXR1H103K	C CAPACITOR	0.01uF 50V K	1	
	C163	CK73HXR1H104K	C CAPACITOR	0.1uF 50V K	1	
	C164	CK73FXR1C106K	C CAPACITOR	10uF 16V K	1	
	C165	CE32CL1C100M	E CAPACITOR	10uF 16V M	1	
	C166	CE32CL1C100M	E CAPACITOR	10uF 16V M	1	
	C201	CK73HXR1H103K	C CAPACITOR	0.01uF 50V K	1	
	C203	CK73HXR1H103K	C CAPACITOR	0.01uF 50V K	1	
	C204	CK73HXR1H103K	C CAPACITOR	0.01uF 50V K	1	
	C207	CK73HXR1H103K	C CAPACITOR	0.01uF 50V K	1	
	C208	CK73HXR1H104K	C CAPACITOR	0.1uF 50V K	1	
	C209	CK73HXR1H104K	C CAPACITOR	0.1uF 50V K	1	
	C211	CK73HXR1H103K	C CAPACITOR	0.01uF 50V K	1	
	C213	CK73HXR1C105K	C CAPACITOR	1uF 16V K	1	
	C214	CK73HXR1C105K	C CAPACITOR	1uF 16V K	1	
	C216	CD04GF1C222M	E CAPACITOR	2200uF 16V M	1	
	C217	CK73HXR1H102K	C CAPACITOR	1000pF 50V K	1	
	C218	CK73HXR1H102K	C CAPACITOR	1000pF 50V K	1	
	C219	CC73HCH1H102J	C CAPACITOR	1000pF 50V J	1	
	C220	CC73HCH1H102J	C CAPACITOR	1000pF 50V J	1	
	C221	CE32CL0J470M	E CAPACITOR	47uF 6.3V M	1	
	C222	CK73HXR1H103K	C CAPACITOR	0.01uF 50V K	1	
	C223	CK73HXR1C105K	C CAPACITOR	1uF 16V K	1	
	C224	CK73GXR1H104K	C CAPACITOR	0.1uF 50V K	1	
	C225	CK73GXR1H104K	C CAPACITOR	0.1uF 50V K	1	
	C226	CK73GXR1H104K	C CAPACITOR	0.1uF 50V K	1	
	C227	CC73HCH1H102J	C CAPACITOR	1000pF 50V J	1	
	C228	CK73FXR1C106K	C CAPACITOR	10uF 16V K	1	
	C229	CK73HXR1H103K	C CAPACITOR	0.01uF 50V K	1	
	C231	CK73HXR1H104K	C CAPACITOR	0.1uF 50V K	1	
	C232	CK73HXR1H104K	C CAPACITOR	0.1uF 50V K	1	
	C233	CK73HXR1H222K	C CAPACITOR	2200pF 50V K	1	
	C234	CK73HXR1H222K	C CAPACITOR	2200pF 50V K	1	
	C235	CD04AY1E102M	E CAPACITOR	1000uF 25V M	1	
	C236	CD04AY1E102M	E CAPACITOR	1000uF 25V M	1	
	C237	CK73HXR1H103K	C CAPACITOR	0.01uF 50V K	1	
	C238	CK73HXR1H103K	C CAPACITOR	0.01uF 50V K	1	
	C239	CK73FXR1C106K	C CAPACITOR	10uF 16V K	1	
	C240	CE32CL1C470M	E CAPACITOR	47uF 16V M	1	
	C241	CK73FXR1C106K	C CAPACITOR	10uF 16V K	1	
	C242	CE32CL1C470M	E CAPACITOR	47uF 16V M	1	
	C243	CK73FXR1C106K	C CAPACITOR	10uF 16V K	1	
	C244	CE32CL1C470M	E CAPACITOR	47uF 16V M	1	

MODEL	MARK	MODEL	MARK
KAC-M1814	W1	KAC-M1814	K0

Safe	Symbol No.	Parts No.	Parts Name	Description	QTY	Local
	C245	CE32CL0J470M	E CAPACITOR	47uF 6.3V M	1	
	C246	CE32CL0J470M	E CAPACITOR	47uF 6.3V M	1	
	C248	CC73HCH1H102J	C CAPACITOR	1000pF 50V J	1	
	C249	CK73HXR1H103K	C CAPACITOR	0.01uF 50V K	1	
	C250	CK73FXR1C106K	C CAPACITOR	10uF 16V K	1	
	C251	CC73HCH1H102J	C CAPACITOR	1000pF 50V J	1	
	C252	CC73HCH1H102J	C CAPACITOR	1000pF 50V J	1	
	C253	CK73HXR1H103K	C CAPACITOR	0.01uF 50V K	1	
	C254	CK73HXR1H103K	C CAPACITOR	0.01uF 50V K	1	
	C255	CK73EXR1E106K	C CAPACITOR	10uF 25V K	1	
	C256	CK73HXR1H103K	C CAPACITOR	0.01uF 50V K	1	
	C257	CK73HXR1H103K	C CAPACITOR	0.01uF 50V K	1	
	C258	CK73FXR1C106K	C CAPACITOR	10uF 16V K	1	
	C259	CK73HXR1H103K	C CAPACITOR	0.01uF 50V K	1	
	C262	CK73FXR1C106K	C CAPACITOR	10uF 16V K	1	
	C263	CK73FXR1C106K	C CAPACITOR	10uF 16V K	1	
	C264	CC73HCH1H102J	C CAPACITOR	1000pF 50V J	1	
	C266	CK73HXR1H103K	C CAPACITOR	0.01uF 50V K	1	
	C267	CK73HXR1H103K	C CAPACITOR	0.01uF 50V K	1	
	C268	CK73HXR1H103K	C CAPACITOR	0.01uF 50V K	1	
	C269	CK73HXR1H103K	C CAPACITOR	0.01uF 50V K	1	
	C270	CK73HXR1C105K	C CAPACITOR	1uF 16V K	1	
	C283	CK73HXR1C105K	C CAPACITOR	1uF 16V K	1	
	C286	CK73HXR1H103K	C CAPACITOR	0.01uF 50V K	1	
	C287	CK73HXR1H103K	C CAPACITOR	0.01uF 50V K	1	
	C288	CK73HXR1H102K	C CAPACITOR	1000pF 50V K	1	
	C290	CK73HXR1H103K	C CAPACITOR	0.01uF 50V K	1	
	C501	CE32CL1C220M	E CAPACITOR	22uF 16V M	1	
	C502	CE32CL1C220M	E CAPACITOR	22uF 16V M	1	
	C503	CE32CL1C220M	E CAPACITOR	22uF 16V M	1	
	C504	CE32CL1C220M	E CAPACITOR	22uF 16V M	1	
	C505	CC73HCH1H330J	C CAPACITOR	33pF 50V J	1	
	C506	CC73HCH1H330J	C CAPACITOR	33pF 50V J	1	
	C507	CC73HCH1H330J	C CAPACITOR	33pF 50V J	1	
	C508	CC73HCH1H330J	C CAPACITOR	33pF 50V J	1	
	C509	CC73HCH1H560J	C CAPACITOR	56pF 50V J	1	
	C510	CC73HCH1H560J	C CAPACITOR	56pF 50V J	1	
	C511	CC73HCH1H330J	C CAPACITOR	33pF 50V J	1	
	C512	CC73HCH1H330J	C CAPACITOR	33pF 50V J	1	
	C513	CC73HCH1H560J	C CAPACITOR	56pF 50V J	1	
	C514	CC73HCH1H560J	C CAPACITOR	56pF 50V J	1	
	C515	CK73HXR1H103K	C CAPACITOR	0.01uF 50V K	1	
	C516	CK73HXR1H103K	C CAPACITOR	0.01uF 50V K	1	
	C517	CK73GXR1H104K	C CAPACITOR	0.1uF 50V K	1	
	C518	CK73GXR1H104K	C CAPACITOR	0.1uF 50V K	1	
	C519	CK73HXR1H103K	C CAPACITOR	0.01uF 50V K	1	
	C520	CK73HXR1H103K	C CAPACITOR	0.01uF 50V K	1	
	C521	CK73HXR1H103K	C CAPACITOR	0.01uF 50V K	1	
	C523	CK73HXR1H103K	C CAPACITOR	0.01uF 50V K	1	
	C524	CK73HXR1H103K	C CAPACITOR	0.01uF 50V K	1	
	C525	CC73HCH1H560J	C CAPACITOR	56pF 50V J	1	
	C526	CC73HCH1H560J	C CAPACITOR	56pF 50V J	1	
	C527	CK73HXR1H473K	C CAPACITOR	0.047uF 50V K	1	
	C528	CK73HXR1H473K	C CAPACITOR	0.047uF 50V K	1	
	C529	CK73HXR1E224K	C CAPACITOR	0.22uF 25V K	1	
	C530	CK73HXR1E224K	C CAPACITOR	0.22uF 25V K	1	
	C531	CC73HCH1H560J	C CAPACITOR	56pF 50V J	1	
	C532	CC73HCH1H560J	C CAPACITOR	56pF 50V J	1	
	C533	CK73HXR1H103K	C CAPACITOR	0.01uF 50V K	1	
	C534	CC73HCH1H101J	C CAPACITOR	100pF 50V J	1	
	C535	CC73HCH1H101J	C CAPACITOR	100pF 50V J	1	
	C536	CC73HCH1H101J	C CAPACITOR	100pF 50V J	1	
	C537	CC73HCH1H101J	C CAPACITOR	100pF 50V J	1	
	C539	CK73HXR1H104K	C CAPACITOR	0.1uF 50V K	1	
	C540	CK73HXR1H104K	C CAPACITOR	0.1uF 50V K	1	
	C562	CC73HCH1H470J	C CAPACITOR	47pF 50V J	1	
	C565	CC73HCH1H101J	C CAPACITOR	100pF 50V J	1	
	C582	CC73HCH1H470J	C CAPACITOR	47pF 50V J	1	
	C587	CK73GXR1H104K	C CAPACITOR	0.1uF 50V K	1	
	C588	CK73HXR1H103K	C CAPACITOR	0.01uF 50V K	1	
	C597	CK73HXR1H103K	C CAPACITOR	0.01uF 50V K	1	
	C598	CK73HXR1H103K	C CAPACITOR	0.01uF 50V K	1	
	C599	CK73HXR1H103K	C CAPACITOR	0.01uF 50V K	1	
	C600	CK73HXR1H103K	C CAPACITOR	0.01uF 50V K	1	
	C601	CE32CL1C220M	E CAPACITOR	22uF 16V M	1	
	C602	CE32CL1C220M	E CAPACITOR	22uF 16V M	1	
	C603	CE32CL1C220M	E CAPACITOR	22uF 16V M	1	
	C604	CE32CL1C220M	E CAPACITOR	22uF 16V M	1	
	C605	CC73HCH1H330J	C CAPACITOR	33pF 50V J	1	
	C606	CC73HCH1H330J	C CAPACITOR	33pF 50V J	1	
	C607	CC73HCH1H330J	C CAPACITOR	33pF 50V J	1	
	C608	CC73HCH1H330J	C CAPACITOR	33pF 50V J	1	
	C609	CC73HCH1H560J	C CAPACITOR	56pF 50V J	1	
	C610	CC73HCH1H560J	C CAPACITOR	56pF 50V J	1	
	C611	CC73HCH1H330J	C CAPACITOR	33pF 50V J	1	
	C612	CC73HCH1H330J	C CAPACITOR	33pF 50V J	1	
	C613	CC73HCH1H560J	C CAPACITOR	56pF 50V J	1	
	C614	CC73HCH1H560J	C CAPACITOR	56pF 50V J	1	
	C617	CK73HXR1H103K	C CAPACITOR	0.01uF 50V K	1	
	C618	CK73HXR1H103K	C CAPACITOR	0.01uF 50V K	1	
	C619	CK73HXR1H103K	C CAPACITOR	0.01uF 50V K	1	
	C620	CK73HXR1H103K	C CAPACITOR	0.01uF 50V K	1	

MODEL	MARK	MODEL	MARK
KAC-M1814	W1	KAC-M1814	K0

Safe	Symbol No.	Parts No.	Parts Name	Description	QTY	Local
	C621	CK73HXR1H103K	C CAPACITOR	0.01uF 50V K	1	
	C622	CK73HXR1H103K	C CAPACITOR	0.01uF 50V K	1	
	C623	CK73HXR1H103K	C CAPACITOR	0.01uF 50V K	1	
	C624	CK73HXR1H103K	C CAPACITOR	0.01uF 50V K	1	
	C625	CC73HCH1H560J	C CAPACITOR	56pF 50V J	1	
	C626	CC73HCH1H560J	C CAPACITOR	56pF 50V J	1	
	C627	CK73HXR1H473K	C CAPACITOR	0.047uF 50V K	1	
	C628	CK73HXR1H473K	C CAPACITOR	0.047uF 50V K	1	
	C629	CK73HXR1E224K	C CAPACITOR	0.22uF 25V K	1	
	C630	CK73HXR1E224K	C CAPACITOR	0.22uF 25V K	1	
	C631	CC73HCH1H560J	C CAPACITOR	56pF 50V J	1	
	C632	CC73HCH1H560J	C CAPACITOR	56pF 50V J	1	
	C636	CC73HCH1H101J	C CAPACITOR	100pF 50V J	1	
	C637	CC73HCH1H101J	C CAPACITOR	100pF 50V J	1	
	C639	CK73HXR1H104K	C CAPACITOR	0.1uF 50V K	1	
	C640	CK73HXR1H104K	C CAPACITOR	0.1uF 50V K	1	
	C653	CC73HCH1H470J	C CAPACITOR	47pF 50V J	1	
	C655	CC73HCH1H470J	C CAPACITOR	47pF 50V J	1	
	C660	CK73HXR1H103K	C CAPACITOR	0.01uF 50V K	1	
	C661	CK73HXR1H103K	C CAPACITOR	0.01uF 50V K	1	
	C701	CK73FXR1C106K	C CAPACITOR	10uF 16V K	1	
	C702	CC73HCH1H102J	C CAPACITOR	1000pF 50V J	1	
	R21	RK73HB1J102J	MG RESISTOR	1kΩ 1/16W J	1	
	R22	RK73HB1J102J	MG RESISTOR	1kΩ 1/16W J	1	
	R23	RK73HB1J562J	MG RESISTOR	5.6kΩ 1/16W J	1	
	R24	RK73HB1J562J	MG RESISTOR	5.6kΩ 1/16W J	1	
	R25	RK73GB2A152J	MG RESISTOR	1.5kΩ 1/10W J	1	
	R26	RK73GB2A911J	MG RESISTOR	910Ω 1/10W J	1	
	R27	RK73GB2A1R0J	MG RESISTOR	1Ω 1/10W J	1	
	R28	RK73GB2A1R0J	MG RESISTOR	1Ω 1/10W J	1	
	R29	RK73HB1J223J	MG RESISTOR	22kΩ 1/16W J	1	
	R30	RK73HB1J223J	MG RESISTOR	22kΩ 1/16W J	1	
	R32	RK73HB1J103J	MG RESISTOR	10kΩ 1/16W J	1	
	R33	RK73GB2A223J	MG RESISTOR	22kΩ 1/10W J	1	
	R34	RK73GB2A223J	MG RESISTOR	22kΩ 1/10W J	1	
	R35	RK73GB2A203J	MG RESISTOR	20kΩ 1/10W J	1	
	R36	RK73GB2A203J	MG RESISTOR	20kΩ 1/10W J	1	
	R37	RK73FB2B4R7J	MG RESISTOR	4.7Ω 1/8W J	1	
	R38	RK73FB2B4R7J	MG RESISTOR	4.7Ω 1/8W J	1	
	R39	RK73FB2B100J	MG RESISTOR	10Ω 1/8W J	1	
	R40	RK73FB2B100J	MG RESISTOR	10Ω 1/8W J	1	
	R41	RK73FB2B100J	MG RESISTOR	10Ω 1/8W J	1	
	R42	RK73FB2B100J	MG RESISTOR	10Ω 1/8W J	1	
	R43	RK73GB2A102J	MG RESISTOR	1kΩ 1/10W J	1	
	R44	RK73GB2A102J	MG RESISTOR	1kΩ 1/10W J	1	
	R45	RK73EB2E100J	MG RESISTOR	10Ω 1/4W J	1	
	R46	RK73EB2E100J	MG RESISTOR	10Ω 1/4W J	1	
	R47	RK73EB2E222J	MG RESISTOR	2.2kΩ 1/4W J	1	
	R48	RK73EB2E222J	MG RESISTOR	2.2kΩ 1/4W J	1	
	R49	RK73HB1J473J	MG RESISTOR	47kΩ 1/16W J	1	
	R50	RK73HB1J473J	MG RESISTOR	47kΩ 1/16W J	1	
	R51	RK73FB2B100J	MG RESISTOR	10Ω 1/8W J	1	
	R61	RK73GB2A101J	MG RESISTOR	100Ω 1/10W J	1	
	R62	RK73HB1J912J	MG RESISTOR	9.1kΩ 1/16W J	1	
	R63	RK73HB1J512J	MG RESISTOR	5.1kΩ 1/16W J	1	
	R64	RK73HB1J912J	MG RESISTOR	9.1kΩ 1/16W J	1	
	R65	RK73HB1J512J	MG RESISTOR	5.1kΩ 1/16W J	1	
	R66	RK73HB1J912J	MG RESISTOR	9.1kΩ 1/16W J	1	
	R67	RK73HB1J512J	MG RESISTOR	5.1kΩ 1/16W J	1	
	R68	RK73HB1J912J	MG RESISTOR	9.1kΩ 1/16W J	1	
	R69	RK73HB1J512J	MG RESISTOR	5.1kΩ 1/16W J	1	
	R77	RK73HB1J183J	MG RESISTOR	18kΩ 1/16W J	1	
	R78	RK73HB1J183J	MG RESISTOR	18kΩ 1/16W J	1	
	R79	RK73HB1J334J	MG RESISTOR	330kΩ 1/16W J	1	
	R80	RK73HB1J222J	MG RESISTOR	2.2kΩ 1/16W J	1	
	R81	RK73HB1J103J	MG RESISTOR	10kΩ 1/16W J	1	
	R82	RK73HB1J473J	MG RESISTOR	47kΩ 1/16W J	1	
	R95	RK73HB1J000J	MG RESISTOR	0Ω 1/16W J	1	
	R96	RK73HB1J000J	MG RESISTOR	0Ω 1/16W J	1	
	R97	RK73HB1J103J	MG RESISTOR	10kΩ 1/16W J	1	
	R98	RK73HB1J103J	MG RESISTOR	10kΩ 1/16W J	1	
	R99	RK73HB1J473J	MG RESISTOR	47kΩ 1/16W J	1	
	R100	RK73HB1J102J	MG RESISTOR	1kΩ 1/16W J	1	
	R101	RK73HB1J102J	MG RESISTOR	1kΩ 1/16W J	1	
	R102	RK73HB1J513J	MG RESISTOR	51kΩ 1/16W J	1	
	R103	RK73HB1J223J	MG RESISTOR	22kΩ 1/16W J	1	
	R104	RK73HB1J153J	MG RESISTOR	15kΩ 1/16W J	1	
	R105	RK73HB1J223J	MG RESISTOR	22kΩ 1/16W J	1	
	R106	RK73HB1J474J	MG RESISTOR	470kΩ 1/16W J	1	
	R121	RK73HB1J102J	MG RESISTOR	1kΩ 1/16W J	1	
	R122	RK73HB1J102J	MG RESISTOR	1kΩ 1/16W J	1	
	R123	RK73HB1J562J	MG RESISTOR	5.6kΩ 1/16W J	1	
	R124	RK73HB1J562J	MG RESISTOR	5.6kΩ 1/16W J	1	
	R125	RK73GB2A681J	MG RESISTOR	680Ω 1/10W J	1	
	R126	RK73GB2A561J	MG RESISTOR	560Ω 1/10W J	1	
	R127	RK73GB2A1R0J	MG RESISTOR	1Ω 1/10W J	1	
	R128	RK73GB2A1R0J	MG RESISTOR	1Ω 1/10W J	1	
	R129	RK73HB1J223J	MG RESISTOR	22kΩ 1/16W J	1	
	R130	RK73HB1J223J	MG RESISTOR	22kΩ 1/16W J	1	
	R132	RK73HB1J103J	MG RESISTOR	10kΩ 1/16W J	1	
	R133	RK73GB2A223J	MG RESISTOR	22kΩ 1/10W J	1	
	R134	RK73GB2A223J	MG RESISTOR	22kΩ 1/10W J	1	

MODEL	MARK	MODEL	MARK
KAC-M1814	W1	KAC-M1814	K0

Safe	Symbol No.	Parts No.	Parts Name	Description	QTY	Local
	R135	RK73GB2A203J	MG RESISTOR	20kΩ 1/10W J	1	
	R136	RK73GB2A203J	MG RESISTOR	20kΩ 1/10W J	1	
	R137	RK73FB2B4R7J	MG RESISTOR	4.7Ω 1/8W J	1	
	R138	RK73FB2B4R7J	MG RESISTOR	4.7Ω 1/8W J	1	
	R139	RK73FB2B100J	MG RESISTOR	10Ω 1/8W J	1	
	R140	RK73FB2B100J	MG RESISTOR	10Ω 1/8W J	1	
	R141	RK73FB2B100J	MG RESISTOR	10Ω 1/8W J	1	
	R142	RK73FB2B100J	MG RESISTOR	10Ω 1/8W J	1	
	R143	RK73GB2A102J	MG RESISTOR	1kΩ 1/10W J	1	
	R144	RK73GB2A102J	MG RESISTOR	1kΩ 1/10W J	1	
	R145	RK73EB2E100J	MG RESISTOR	10Ω 1/4W J	1	
	R146	RK73EB2E100J	MG RESISTOR	10Ω 1/4W J	1	
	R147	RK73EB2E222J	MG RESISTOR	2.2kΩ 1/4W J	1	
	R148	RK73EB2E222J	MG RESISTOR	2.2kΩ 1/4W J	1	
	R149	RK73GB2A473J	MG RESISTOR	47kΩ 1/10W J	1	
	R150	RK73HB1J473J	MG RESISTOR	47kΩ 1/16W J	1	
	R151	RK73FB2B100J	MG RESISTOR	10Ω 1/8W J	1	
	R161	RK73GB2A101J	MG RESISTOR	100Ω 1/10W J	1	
	R200	RK73HB1J102J	MG RESISTOR	1kΩ 1/16W J	1	
	R203	RK73GB2A332J	MG RESISTOR	3.3kΩ 1/10W J	1	
	R205	RK73GB2A152J	MG RESISTOR	1.5kΩ 1/10W J	1	
	R206	RK73GB2A273J	MG RESISTOR	27kΩ 1/10W J	1	
	R207	RK73HB1J123J	MG RESISTOR	12kΩ 1/16W J	1	
	R208	RK73HB1J153J	MG RESISTOR	15kΩ 1/16W J	1	
	R209	RK73HB1J473J	MG RESISTOR	47kΩ 1/16W J	1	
	R210	RK73HB1J133J	MG RESISTOR	13kΩ 1/16W J	1	
	R211	RK73HB1J103J	MG RESISTOR	10kΩ 1/16W J	1	
	R212	RK73HB1J103J	MG RESISTOR	10kΩ 1/16W J	1	
	R213	RK73GB2A473J	MG RESISTOR	47kΩ 1/10W J	1	
	R214	RK73HB1J203J	MG RESISTOR	20kΩ 1/16W J	1	
	R215	RZ73S0CJ5L0F	RESISTOR	5mΩ 2W F	1	
	R216	RK73HB1J102J	MG RESISTOR	1kΩ 1/16W J	1	
	R217	RK73HB1J102J	MG RESISTOR	1kΩ 1/16W J	1	
	R218	RK73HB1J513J	MG RESISTOR	51kΩ 1/16W J	1	
	R219	RK73HB1J223J	MG RESISTOR	22kΩ 1/16W J	1	
	R220	RK73HB1J123J	MG RESISTOR	12kΩ 1/16W J	1	
	R221	RK73HB1J223J	MG RESISTOR	22kΩ 1/16W J	1	
	R224	RK73HB1J102J	MG RESISTOR	1kΩ 1/16W J	1	
	R226	RK73GB2A680J	MG RESISTOR	68Ω 1/10W J	1	
	R227	RK73GB2A680J	MG RESISTOR	68Ω 1/10W J	1	
	R228	RK73GB2A472J	MG RESISTOR	4.7kΩ 1/10W J	1	
	R229	RK73GB2A472J	MG RESISTOR	4.7kΩ 1/10W J	1	
	R230	RK73GB2A102J	MG RESISTOR	1kΩ 1/10W J	1	
	R231	RK73GB2A102J	MG RESISTOR	1kΩ 1/10W J	1	
	R232	RK73PB2H100J	MG RESISTOR	10Ω 1/2W J	1	
	R233	RK73PB2H100J	MG RESISTOR	10Ω 1/2W J	1	
	R234	RK73PB2H100J	MG RESISTOR	10Ω 1/2W J	1	
	R235	RK73HB1J133J	MG RESISTOR	13kΩ 1/16W J	1	
	R236	RK73HB1J331J	MG RESISTOR	330Ω 1/16W J	1	
	R237	RK73HB1J682J	MG RESISTOR	6.8kΩ 1/16W J	1	
	R238	RK73HB1J154J	MG RESISTOR	150kΩ 1/16W J	1	
	R239	RK73HB1J223J	MG RESISTOR	22kΩ 1/16W J	1	
	R240	RK73HB1J102J	MG RESISTOR	1kΩ 1/16W J	1	
	R241	RK73HB1J103J	MG RESISTOR	10kΩ 1/16W J	1	
	R242	RK73HB1J473J	MG RESISTOR	47kΩ 1/16W J	1	
	R243	RK73HB1J203J	MG RESISTOR	20kΩ 1/16W J	1	
	R244	RK73HB1J472J	MG RESISTOR	4.7kΩ 1/16W J	1	
	R245	RK73HB1J472J	MG RESISTOR	4.7kΩ 1/16W J	1	
	R246	RK73HB1J392J	MG RESISTOR	3.9kΩ 1/16W J	1	
	R247	RK73HB1J682J	MG RESISTOR	6.8kΩ 1/16W J	1	
	R248	RK73HB1J682J	MG RESISTOR	6.8kΩ 1/16W J	1	
	R249	RK73HB1J152J	MG RESISTOR	1.5kΩ 1/16W J	1	
	R250	RK73EB2E392J	MG RESISTOR	3.9kΩ 1/4W J	1	
	R251	RK73HB1J392J	MG RESISTOR	3.9kΩ 1/16W J	1	
	R252	RK73PB2H100J	MG RESISTOR	10Ω 1/2W J	1	
	R253	RK73PB2H100J	MG RESISTOR	10Ω 1/2W J	1	
	R254	RK73EB2E153J	MG RESISTOR	15kΩ 1/4W J	1	
	R255	RK73EB2E153J	MG RESISTOR	15kΩ 1/4W J	1	
	R256	RK73EB2E4R7J	MG RESISTOR	4.7Ω 1/4W J	1	
	R257	RK73EB2E4R7J	MG RESISTOR	4.7Ω 1/4W J	1	
	R258	RK73EB2E272J	MG RESISTOR	2.7kΩ 1/4W J	1	
	R260	RK73EB2E272J	MG RESISTOR	2.7kΩ 1/4W J	1	
	R262	RK73EB2E4R7J	MG RESISTOR	4.7Ω 1/4W J	1	
	R263	RK73EB2E222J	MG RESISTOR	2.2kΩ 1/4W J	1	
	R269	RK73EB2E100J	MG RESISTOR	10Ω 1/4W J	1	
	R270	RK73EB2E100J	MG RESISTOR	10Ω 1/4W J	1	
	R271	RK73HB1J472J	MG RESISTOR	4.7kΩ 1/16W J	1	
	R276	RK73HB1J103J	MG RESISTOR	10kΩ 1/16W J	1	
	R277	RK73HB1J103J	MG RESISTOR	10kΩ 1/16W J	1	
	R278	RK73HB1J473J	MG RESISTOR	47kΩ 1/16W J	1	
	R279	RK73HB1J512J	MG RESISTOR	5.1kΩ 1/16W J	1	
	R280	RK73HB1J104J	MG RESISTOR	100kΩ 1/16W J	1	
	R283	RK73HB1J333J	MG RESISTOR	33kΩ 1/16W J	1	
	R284	RK73HB1J224J	MG RESISTOR	220kΩ 1/16W J	1	
	R285	RK73HB1J101J	MG RESISTOR	100Ω 1/16W J	1	
	R286	RK73HB1J103J	MG RESISTOR	10kΩ 1/16W J	1	
	R287	RK73HB1J103J	MG RESISTOR	10kΩ 1/16W J	1	
	R288	RK73HB1J472J	MG RESISTOR	4.7kΩ 1/16W J	1	
	R289	RK73HB1J273J	MG RESISTOR	27kΩ 1/16W J	1	
	R290	RK73HB1J104J	MG RESISTOR	100kΩ 1/16W J	1	
	R293	RK73GB2A182J	MG RESISTOR	1.8kΩ 1/10W J	1	
	R294	RK73GB2A182J	MG RESISTOR	1.8kΩ 1/10W J	1	
	R298	RK73HB1J102J	MG RESISTOR	1kΩ 1/16W J	1	

MODEL	MARK	MODEL	MARK
KAC-M1814	W1	KAC-M1814	K0

Safe	Symbol No.	Parts No.	Parts Name	Description	QTY	Local
	R299	RK73HB1J474J	MG RESISTOR	470kΩ 1/16W J	1	
	R301	RK73HB1J682J	MG RESISTOR	6.8kΩ 1/16W J	1	
	R307	RK73HB1J103J	MG RESISTOR	10kΩ 1/16W J	1	
	R308	RK73HB1J103J	MG RESISTOR	10kΩ 1/16W J	1	
	R328	RK73HB1J103J	MG RESISTOR	10kΩ 1/16W J	1	
	R329	RK73GB2A103J	MG RESISTOR	10kΩ 1/10W J	1	
	R330	RK73HB1J473J	MG RESISTOR	47kΩ 1/16W J	1	
	R501	RK73GB2A752J	MG RESISTOR	7.5kΩ 1/10W J	1	
	R502	RK73GB2A153J	MG RESISTOR	15kΩ 1/10W J	1	
	R503	RK73GB2A752J	MG RESISTOR	7.5kΩ 1/10W J	1	
	R505	RK73GB2A474J	MG RESISTOR	470kΩ 1/10W J	1	
	R506	RK73GB2A224J	MG RESISTOR	220kΩ 1/10W J	1	
	R507	RK73GB2A224J	MG RESISTOR	220kΩ 1/10W J	1	
	R508	RK73GB2A474J	MG RESISTOR	470kΩ 1/10W J	1	
	R509	RK73GB2A472J	MG RESISTOR	4.7kΩ 1/10W J	1	
	R510	RK73GB2A472J	MG RESISTOR	4.7kΩ 1/10W J	1	
	R511	RK73GB2A472J	MG RESISTOR	4.7kΩ 1/10W J	1	
	R512	RK73GB2A472J	MG RESISTOR	4.7kΩ 1/10W J	1	
	R513	RK73GH2A103D	MG RESISTOR	10kΩ 1/10W D	1	
	R514	RK73GH2A103D	MG RESISTOR	10kΩ 1/10W D	1	
	R515	RK73GH2A103D	MG RESISTOR	10kΩ 1/10W D	1	
	R516	RK73GH2A103D	MG RESISTOR	10kΩ 1/10W D	1	
	R517	RK73GH2A682D	MG RESISTOR	6.8kΩ 1/10W D	1	
	R518	RK73GH2A682D	MG RESISTOR	6.8kΩ 1/10W D	1	
	R519	RK73GH2A682D	MG RESISTOR	6.8kΩ 1/10W D	1	
	R520	RK73GH2A682D	MG RESISTOR	6.8kΩ 1/10W D	1	
	R521	RK73HB1J123J	MG RESISTOR	12kΩ 1/16W J	1	
	R523	RK73HB1J103J	MG RESISTOR	10kΩ 1/16W J	1	
	R524	RK73HB1J103J	MG RESISTOR	10kΩ 1/16W J	1	
	R525	RK73GB2A511J	MG RESISTOR	510Ω 1/10W J	1	
	R526	RK73GB2A511J	MG RESISTOR	510Ω 1/10W J	1	
	R527	RK73HB1J103J	MG RESISTOR	10kΩ 1/16W J	1	
	R528	RK73HB1J103J	MG RESISTOR	10kΩ 1/16W J	1	
	R533	RK73GB2A103J	MG RESISTOR	10kΩ 1/10W J	1	
	R534	RK73GB2A103J	MG RESISTOR	10kΩ 1/10W J	1	
	R535	RK73GB2A103J	MG RESISTOR	10kΩ 1/10W J	1	
	R536	RK73GB2A103J	MG RESISTOR	10kΩ 1/10W J	1	
	R537	RK73GB2A103J	MG RESISTOR	10kΩ 1/10W J	1	
	R538	RK73GB2A103J	MG RESISTOR	10kΩ 1/10W J	1	
	R539	RK73GB2A103J	MG RESISTOR	10kΩ 1/10W J	1	
	R540	RK73HB1J103J	MG RESISTOR	10kΩ 1/16W J	1	
	R541	RK73HB1J302J	MG RESISTOR	3kΩ 1/16W J	1	
	R542	RK73HB1J302J	MG RESISTOR	3kΩ 1/16W J	1	
	R543	RK73HB1J222J	MG RESISTOR	2.2kΩ 1/16W J	1	
	R544	RK73HB1J222J	MG RESISTOR	2.2kΩ 1/16W J	1	
	R545	RK73HB1J163J	MG RESISTOR	16kΩ 1/16W J	1	
	R546	RK73HB1J163J	MG RESISTOR	16kΩ 1/16W J	1	
	R547	RK73HB1J104J	MG RESISTOR	100kΩ 1/16W J	1	
	R548	RK73HB1J104J	MG RESISTOR	100kΩ 1/16W J	1	
	R573	RK73HB1J224J	MG RESISTOR	220kΩ 1/16W J	1	
	R574	RK73HB1J224J	MG RESISTOR	220kΩ 1/16W J	1	
	R575	RK73HB1J123J	MG RESISTOR	12kΩ 1/16W J	1	
	R576	RK73HB1J103J	MG RESISTOR	10kΩ 1/16W J	1	
	R577	RK73HB1J103J	MG RESISTOR	10kΩ 1/16W J	1	
	R579	RK73HB1J104J	MG RESISTOR	100kΩ 1/16W J	1	
	R580	RK73HB1J222J	MG RESISTOR	2.2kΩ 1/16W J	1	
	R581	RK73HB1J222J	MG RESISTOR	2.2kΩ 1/16W J	1	
	R582	RK73HB1J682J	MG RESISTOR	6.8kΩ 1/16W J	1	
	R583	RK73HB1J682J	MG RESISTOR	6.8kΩ 1/16W J	1	
	R584	RK73HB1J273J	MG RESISTOR	27kΩ 1/16W J	1	
	R585	RK73HB1J273J	MG RESISTOR	27kΩ 1/16W J	1	
	R586	RK73HB1J222J	MG RESISTOR	2.2kΩ 1/16W J	1	
	R587	RK73HB1J222J	MG RESISTOR	2.2kΩ 1/16W J	1	
	R588	RK73HB1J104J	MG RESISTOR	100kΩ 1/16W J	1	
	R601	RK73GB2A752J	MG RESISTOR	7.5kΩ 1/10W J	1	
	R602	RK73GB2A153J	MG RESISTOR	15kΩ 1/10W J	1	
	R603	RK73GB2A752J	MG RESISTOR	7.5kΩ 1/10W J	1	
	R605	RK73GB2A474J	MG RESISTOR	470kΩ 1/10W J	1	
	R606	RK73GB2A224J	MG RESISTOR	220kΩ 1/10W J	1	
	R607	RK73GB2A224J	MG RESISTOR	220kΩ 1/10W J	1	
	R608	RK73GB2A474J	MG RESISTOR	470kΩ 1/10W J	1	
	R609	RK73GB2A472J	MG RESISTOR	4.7kΩ 1/10W J	1	
	R610	RK73GB2A472J	MG RESISTOR	4.7kΩ 1/10W J	1	
	R611	RK73GB2A472J	MG RESISTOR	4.7kΩ 1/10W J	1	
	R612	RK73GB2A472J	MG RESISTOR	4.7kΩ 1/10W J	1	
	R613	RK73GH2A103D	MG RESISTOR	10kΩ 1/10W D	1	
	R614	RK73GH2A103D	MG RESISTOR	10kΩ 1/10W D	1	
	R615	RK73GH2A103D	MG RESISTOR	10kΩ 1/10W D	1	
	R616	RK73GH2A103D	MG RESISTOR	10kΩ 1/10W D	1	
	R617	RK73GH2A682D	MG RESISTOR	6.8kΩ 1/10W D	1	
	R618	RK73GH2A682D	MG RESISTOR	6.8kΩ 1/10W D	1	
	R619	RK73GH2A682D	MG RESISTOR	6.8kΩ 1/10W D	1	
	R620	RK73GH2A682D	MG RESISTOR	6.8kΩ 1/10W D	1	
	R621	RK73HB1J224J	MG RESISTOR	220kΩ 1/16W J	1	
	R623	RK73HB1J103J	MG RESISTOR	10kΩ 1/16W J	1	
	R624	RK73HB1J103J	MG RESISTOR	10kΩ 1/16W J	1	
	R625	RK73GB2A511J	MG RESISTOR	510Ω 1/10W J	1	
	R626	RK73GB2A511J	MG RESISTOR	510Ω 1/10W J	1	
	R627	RK73HB1J103J	MG RESISTOR	10kΩ 1/16W J	1	
	R628	RK73HB1J103J	MG RESISTOR	10kΩ 1/16W J	1	
	R630	RK73HB1J224J	MG RESISTOR	220kΩ 1/16W J	1	
	R631	RK73HB1J123J	MG RESISTOR	12kΩ 1/16W J	1	

MODEL	MARK	MODEL	MARK
KAC-M1814	W1	KAC-M1814	K0

Safe	Symbol No.	Parts No.	Parts Name	Description	QTY	Local
R632		RK73HB1J123J	MG RESISTOR	12kΩ 1/16W J	1	
R633		RK73HB1J103J	MG RESISTOR	10kΩ 1/16W J	1	
R634		RK73HB1J103J	MG RESISTOR	10kΩ 1/16W J	1	
R635		RK73HB1J103J	MG RESISTOR	10kΩ 1/16W J	1	
R636		RK73HB1J103J	MG RESISTOR	10kΩ 1/16W J	1	
R637		RK73HB1J103J	MG RESISTOR	10kΩ 1/16W J	1	
R638		RK73HB1J103J	MG RESISTOR	10kΩ 1/16W J	1	
R639		RK73HB1J103J	MG RESISTOR	10kΩ 1/16W J	1	
R640		RK73HB1J103J	MG RESISTOR	10kΩ 1/16W J	1	
R641		RK73HB1J302J	MG RESISTOR	3kΩ 1/16W J	1	
R642		RK73HB1J302J	MG RESISTOR	3kΩ 1/16W J	1	
R643		RK73HB1J222J	MG RESISTOR	2.2kΩ 1/16W J	1	
R644		RK73HB1J222J	MG RESISTOR	2.2kΩ 1/16W J	1	
R645		RK73HB1J163J	MG RESISTOR	16kΩ 1/16W J	1	
R646		RK73HB1J163J	MG RESISTOR	16kΩ 1/16W J	1	
R647		RK73HB1J104J	MG RESISTOR	100kΩ 1/16W J	1	
R648		RK73HB1J104J	MG RESISTOR	100kΩ 1/16W J	1	
R649		RK73HB1J103J	MG RESISTOR	10kΩ 1/16W J	1	
R650		RK73HB1J103J	MG RESISTOR	10kΩ 1/16W J	1	
R653		RK73HB1J222J	MG RESISTOR	2.2kΩ 1/16W J	1	
R654		RK73HB1J222J	MG RESISTOR	2.2kΩ 1/16W J	1	
R655		RK73HB1J682J	MG RESISTOR	6.8kΩ 1/16W J	1	
R656		RK73HB1J682J	MG RESISTOR	6.8kΩ 1/16W J	1	
R657		RK73HB1J273J	MG RESISTOR	27kΩ 1/16W J	1	
R658		RK73HB1J273J	MG RESISTOR	27kΩ 1/16W J	1	
R659		RK73HB1J222J	MG RESISTOR	2.2kΩ 1/16W J	1	
R660		RK73HB1J222J	MG RESISTOR	2.2kΩ 1/16W J	1	
R661		RK73HB1J104J	MG RESISTOR	100kΩ 1/16W J	1	
R662		RK73HB1J104J	MG RESISTOR	100kΩ 1/16W J	1	
R701		RK73GB2A163J	MG RESISTOR	16kΩ 1/10W J	1	
R702		RK73GB2A103J	MG RESISTOR	10kΩ 1/10W J	1	
R704		RK73HB1J222J	MG RESISTOR	2.2kΩ 1/16W J	1	
R705		RK73HB1J333J	MG RESISTOR	33kΩ 1/16W J	1	
R706		RK73HB1J563J	MG RESISTOR	56kΩ 1/16W J	1	
VR501		R3B-0024-00	V RESISTOR	10kΩ 15A	1	
VR502		R3B-0025-00	V RESISTOR	50kΩ 15C	1	
VR601		R3B-0024-00	V RESISTOR	10kΩ 15A	1	
VR602		R3B-0025-00	V RESISTOR	50kΩ 15C	1	
L1		L3D-0059-00	CHOKE COIL		1	
L101		L3D-0059-00	CHOKE COIL		1	
L202		L3D-0065-00	CHOKE COIL		1	
T201		L1K-0027-00	CONVERT TRANS		1	
CN1		EC710AM-0510A	FFC FPC CONNE	10P	1	
CN502		EC720AA-0510A	FFC FPC CONNE	10P	1	
J1		E5J-0022-00	R.RECEPTACLE	24P	1	
J501		E6D-0003-00	PIN JACK		1	
P1		E29-2111-04	LEAD PLATE		1	
S501		S6C-0009-00	SLIDE SWITCH		1	
S601		S6C-0009-00	SLIDE SWITCH		1	
TH201		NCP18WB473J0S	N THERMISTOR	47kΩ	1	
TH202		NCP18WB473J0S	N THERMISTOR	47kΩ	1	
TH203		NCP18WB473J0S	N THERMISTOR	47kΩ	1	