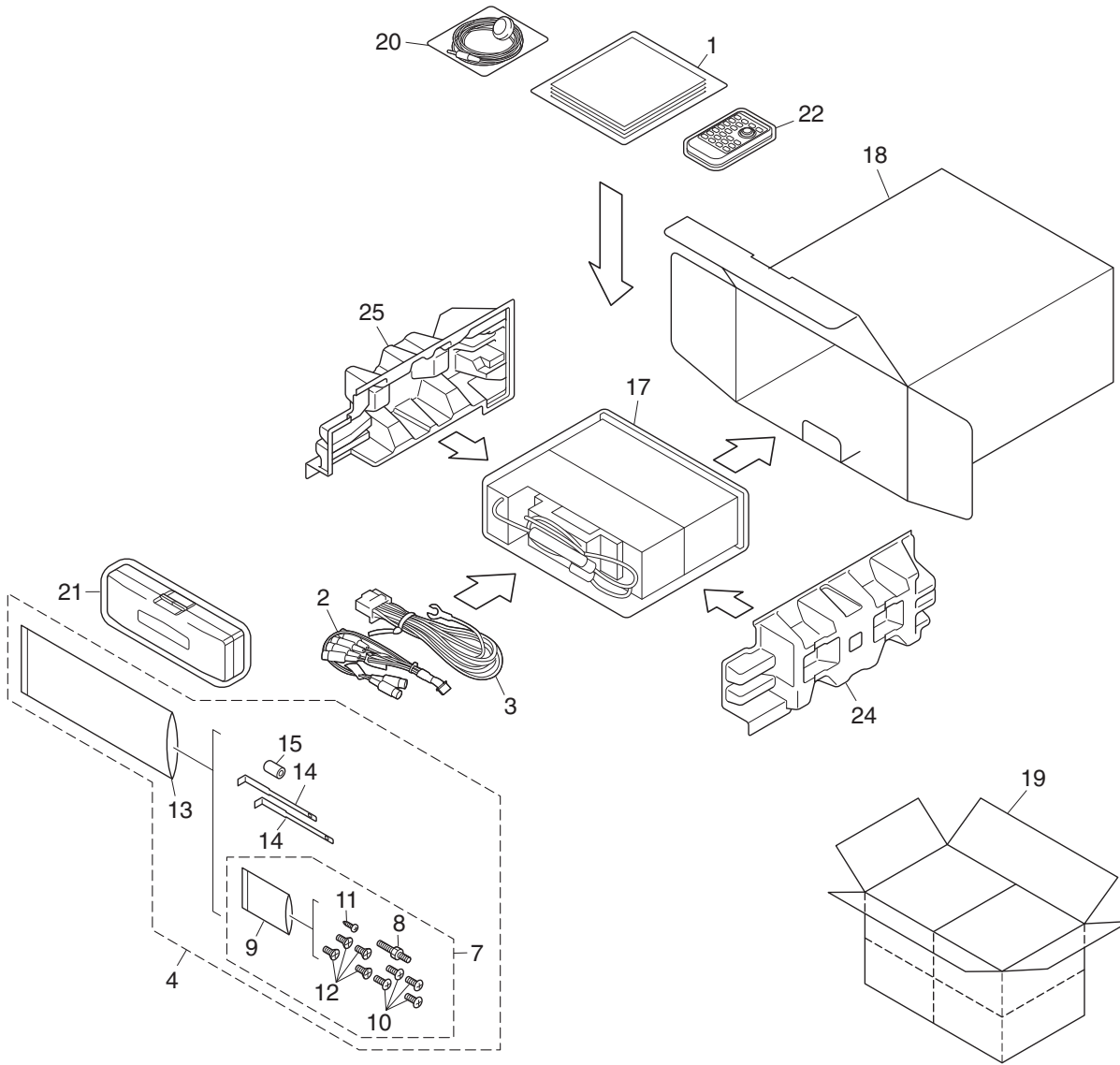


2. EXPLODED VIEWS AND PARTS LIST

NOTES : • Parts marked by " * " are generally unavailable because they are not in our Master Spare Parts List.
• The \triangle mark found on some component parts indicates the importance of the safety factor of the part. Therefore, when replacing, be sure to use parts of identical designation.
• Screw adjacent to ∇ mark on the product are used for disassembly.
• For the applying amount of lubricants or glue, follow the instructions in this manual.
(In the case of no amount instructions, apply as you think it appropriate.)

2.1 PACKING



(1) PACKING SECTION PARTS LIST

<u>Mark No.</u>	<u>Description</u>	<u>Part No.</u>	<u>Mark No.</u>	<u>Description</u>	<u>Part No.</u>
* 1-1	Card	See Contrast table(2)	10	Screw	CRZ50P090FTC
1-2	Polyethylene Bag	CEG1116	11	Screw	See Contrast table(2)
1-3	Owner's Manual	See Contrast table(2)	12	Screw	TRZ50P080FTC
1-4	Owner's Manual	See Contrast table(2)			
1-5	Owner's Manual	See Contrast table(2)	* 13	Polyethylene Bag	CEG-158
			14	Handle	CNC5395
1-6	Installation Manual	See Contrast table(2)	15	Bush	CNV3930
* 1-7	Waranty Card	See Contrast table(2)	16	*****	
* 1-8	Caution Card	CRP1310	17	Polyethylene Bag	See Contrast table(2)
* 1-9	Caution Card	XRP7002			
2	Cord Assy	CDE8284	18	Carton	See Contrast table(2)
			19	Contain Box	See Contrast table(2)
3	Cord Assy	CDE7701	20	Microphone Assy	See Contrast table(2)
4	Accessory Assy	See Contrast table(2)	21	Case Assy	XXA7417
5	*****		22	Remote Control Unit	CXC5717
6	*****				
7	Screw Assy	See Contrast table(2)	23	*****	
			24	Protector	XHP7008
8	Screw	CBA1650	25	Protector	XHP7007
* 9	Polyethylene Bag	CEG-127			

(2) CONTRAST TABLE

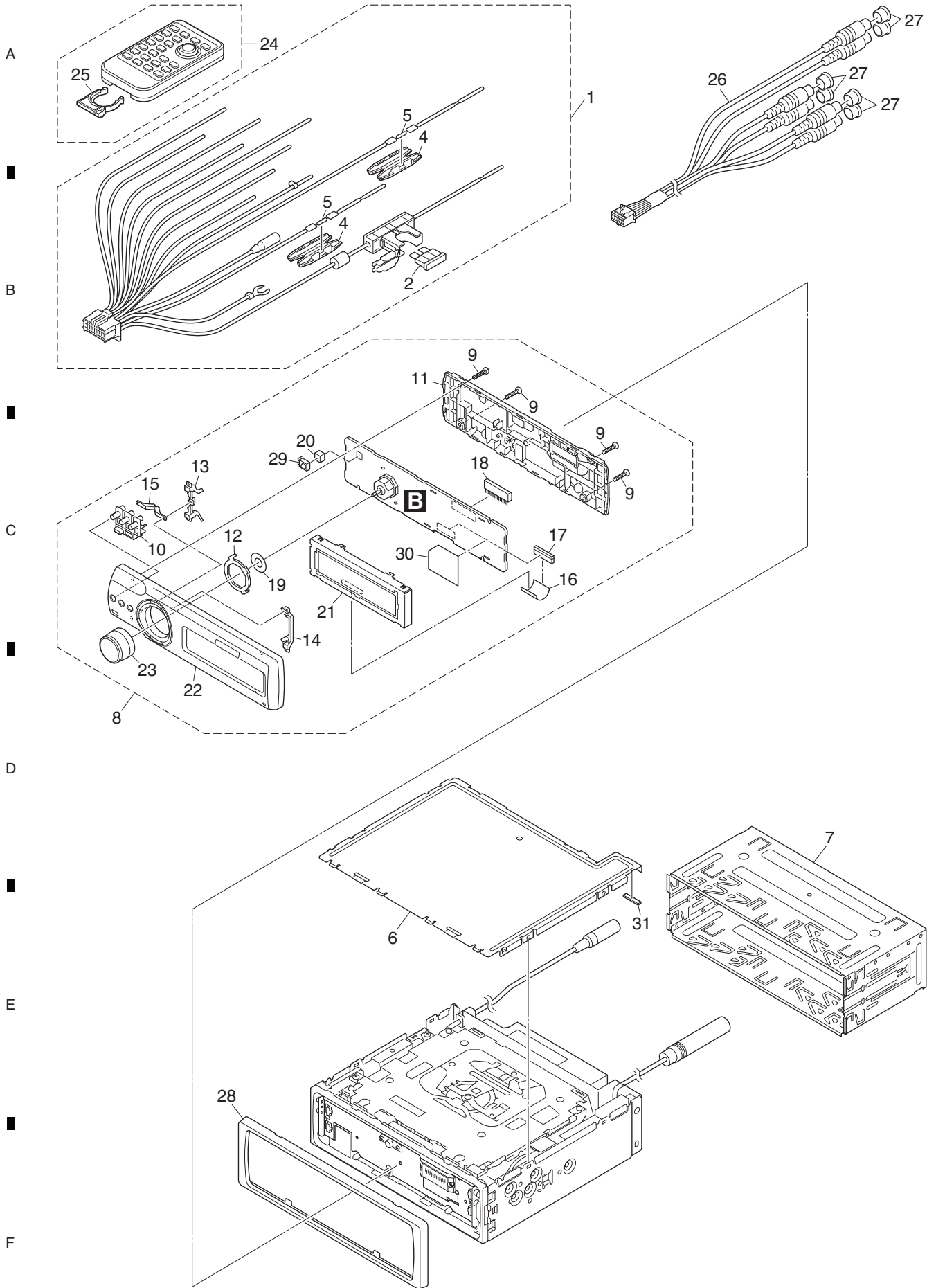
DEH-P780MP/XN/UC, DEH-P7800MP/XN/UC and DEH-P8850MP/XN/ES are constructed the same except for the following:

<u>Mark</u>	<u>No.</u>	<u>Description</u>	<u>DEH-P780MP/XN/UC</u>	<u>DEH-P7800MP/XN/UC</u>	<u>DEH-P8850MP/XN/ES</u>
*	1-1	Card	Not used	ARY1048	Not used
	1-3	Owner's Manual	CRD4085	CRD4087	CRB2247
	1-4	Owner's Manual	Not used	Not used	CRD4089
	1-5	Owner's Manual	Not used	Not used	CRD4090
	1-6	Installation Manual	CRD4086	CRD4088	CRD4091
*	1-7	Waranty Card	CRY1070	CRY1246	Not used
	4	Accessory Assy	CEA6351	CEA6351	CEA6400
	7	Screw Assy	CEA5322	CEA5322	CEA3849
	11	Screw	JPZ20P060FTB	JPZ20P060FTB	Not used
	17	Polyethylene Bag	CEG1173	CEG1173	CEG-162
	18	Carton	CHG5753	CHG5752	CHG5748
	19	Contain Box	CHL5753	CHL5752	CHL5748
	20	Microphone Assy	Not used	Not used	CPM1054

Owner's Manual, Installation Manual

<u>Part No.</u>	<u>Language</u>
CRD4085	English, French
CRD4086	English, French
CRD4087	English, French
CRD4088	English, French
CRB2247	Traditional Chinese
CRD4089	English, Spanish
CRD4090	Portuguese(B), Arabic
CRD4091	English, Spanish, Portuguese(B), Arabic, Traditional Chinese

2.2 EXTERIOR(1)



(1) EXTERIOR(1) SECTION PARTS LIST

<u>Mark No.</u>	<u>Description</u>	<u>Part No.</u>	<u>Mark No.</u>	<u>Description</u>	<u>Part No.</u>
1	Cord Assy	CDE7701	17	Connector(CN1931)	CKS5090
△ 2	Fuse(10 A)	CEK1136	18	Connector(CN1701)	CKS5662
3		19	Sheet	CNM8658
4	Cap	CNS1472	20	Cushion	CNM9946
5	Resistor	RS1/2PMF102J			
			21	OEL Module	MXK8230
6	Case Assy	CXC6907	22	Grille Unit	See Contrast table(2)
7	Holder	CNC8659	23	Knob Unit(MULTI-CONTROL)	CXC5674
8	Detach Grille Assy	See Contrast table(2)	24	Remote Control Unit	CXC5717
9	Screw	BPZ20P080FTB	25	Cover	CZN5357
10	Button (EQ, DISP, CLOCK)	CAC9527			
			26	Cord Assy	CDE8284
11	Cover	CNS8491	27	Cap	CNV6727
12	Holder	CNV8834	28	Panel	XNS7145
13	Lighting Conductor	CNV9010	29	IC (IC1801)	GP1UX51RK
14	Lighting Conductor	CNV9011	30	Insulator	CNN1327
15	Lighting Conductor	CNV9013			
			31	Cushion	CNN1405
16	Cable	CDE8057			

(2) CONTRAST TABLE

DEH-P780MP/XN/UC, DEH-P7800MP/XN/UC and DEH-P8850MP/XN/ES are constructed the same except for the following:

Mark	No.	Description	DEH-P780MP/XN/UC	DEH-P7800MP/XN/UC	DEH-P8850MP/XN/ES
	8	Detach Grille Assy	CXC6069	CXC6070	CXC5596
	22	Grille Unit	CXC6173	CXC6174	CXC5605

(1) EXTERIOR(2) SECTION PARTS LIST

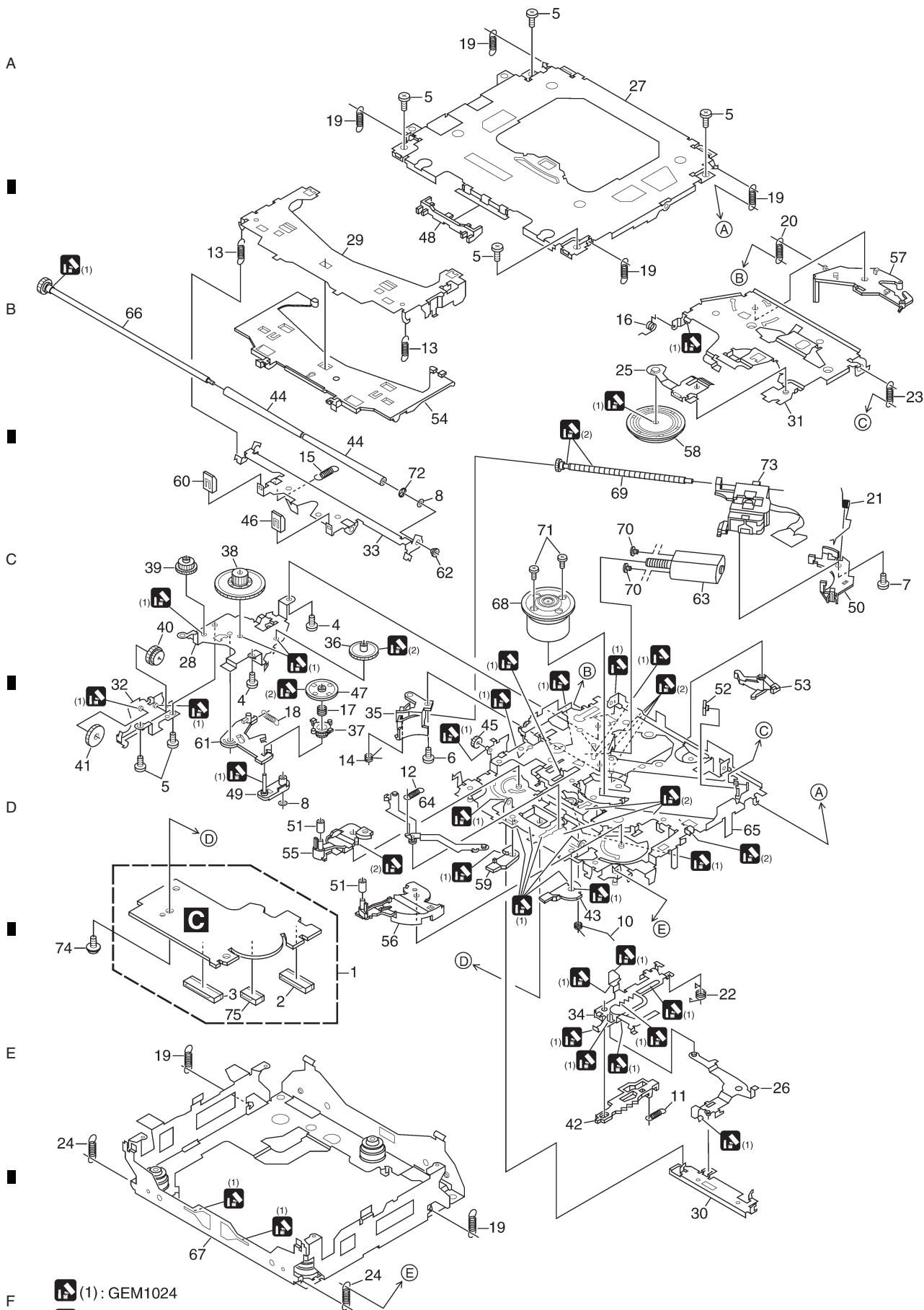
<u>Mark No.</u>	<u>Description</u>	<u>Part No.</u>	<u>Mark No.</u>	<u>Description</u>	<u>Part No.</u>
1	Screw	BSZ26P060FTC	47	ZH Connector 2P (CN971)	VKN1928
2	Screw(M2.6 x 4)	CBA1828	48	*****	
3	Screw(M2 x 2.5)	CBA1924	49	*****	
4	Cord Assy	CDE8315	50	*****	
5	Cord Assy	See Contrast table(2)	51	*****	
6	Cable	CDE8067	52	*****	
7	*****		53	*****	
8	Insulator	CNN1406	54	Panel Unit	XXA7408
9	Holder	XNC7017	55	Drive Unit	CXC6618
10	Earth Plate	CND2171	56	Screw	BMZ26P040FTC
11	Shield	CND3599	57	Screw(M2 x 2)	CBA1871
12	Cushion	CNM9126	58	Cord	CDE7392
13	Insulator	CNM9936	59	Gear	CNV7752
14	Tuner Amp Unit	See Contrast table(2)	60	Gear	CNV7753
15	Screw	ASZ26P060FTC	61	Gear	CNV7754
16	Screw	BMZ26P040FTC	62	Gear	CNV7755
17	Screw	BMZ26P120FTC	63	Switch Unit	CWS1389
18	Screw	BMZ26P180FTC	64	Switch(S1)	CSN1051
19	Screw(M2.6 x 14)	CBA1632	65	Switch(S2)	CSN1052
20	Antenna Cable	CDH1336	66	Arm Unit	CXC2199
21	Clamper	CEF1050	67	Arm Unit	CXC6623
22	Plug(CN991)	CKM1278	68	Arm Unit	CXC6624
23	Connector(CN321)	CKM1389	69	Screw	JFZ20P020FTC
24	Plug(CN801)	CKS-786	70	Spring	XBL7003
25	Connector(CN701)	CKS3834	71	CD Mechanism Module (S10.5)	CXK5754
26	Connector(CN671)	See Contrast table(2)	72	Screw	ISS26P055FTC
27	Connector(CN811)	CKS4811	73	Holder	CND3606
28	Connector(CN431)	See Contrast table(2)	74	Washer	YE15FTC
29	Connector(CN702)	CKS4824	75	IC (IC351)	PAL007B
30	Connector(CN101)	CKS5271	76	Transistor (Q721,901, 911, 921)	2SD2396
31	*****		77	Screw(M2 x 2)	CBA1871
32	Connector(CN441)	CKS5523	78	Screw(M2 x 2)	CBA1935
33	Holder(CN402)	CNC5399	79	Spring	CBH2530
34	Holder	See Contrast table(2)	80	Connector	CKS5273
35	Holder	CND3133	81	Arm	CNV6962
36	Heat Sink	CNR1869	82	Guide	CNV6967
37	FM/AM Tuner Unit	CWE1952	83	Guide	CNV8048
38	Holder	CND1054	84	Case Unit	CXC6483
39	*****		85	Screw(M2 x 3.5)	XBA7002
40	*****		86	Holder	XNC7019
41	*****		87	Flexible PCB	XNP7026
42	*****		88	Holder Unit	XXA7399
43	*****		89	Motor Unit(M801)	XXA7400
44	Insulator	XNM7119	90	Holder Unit	XXA7401
45	Fan Motor (M972)	CXM1288	91	Arm Unit	XXA7403
46	*****		92	Gear Unit	XXA7424

(2) CONTRAST TABLE

DEH-P780MP/XN/UC, DEH-P7800MP/XN/UC and DEH-P8850MP/XN/ES are constructed the same except for the following:

<u>Mark</u>	<u>No.</u>	<u>Description</u>	<u>DEH-P780MP/XN/UC</u>	<u>DEH-P7800MP/XN/UC</u>	<u>DEH-P8850MP/XN/ES</u>
	5	Cord Assy	Not used	Not used	CDE8062
	14	Tuner Amp Unit	CWN1757	CWN1758	CWN1439
	26	Connector(CN671)	CKS4124	CKS4124	Not used
	28	Connector(CN431)	Not used	Not used	CKS4823
	34	Holder	CND3129	CND3129	CND3161

2.4 CD MECHANISM MODULE



(1): GEM1024
 (2): GEM1045

CD MECHANISM MODULE SECTION PARTS LIST

<u>Mark No.</u>	<u>Description</u>	<u>Part No.</u>	<u>Mark No.</u>	<u>Description</u>	<u>Part No.</u>
1	CD Core Unit(COMP1D)	CWX3328	50	Rack	CNV8342
2	Connector(CN101)	CKS4182			
3	Connector(CN901)	CKS4187	51	Roller	CNV8343
4	Screw	BMZ20P025FTC	52	Holder	CNV8344
5	Screw	BSZ20P040FTC	53	Arm	CNV8345
			54	Guide	CNV8347
6	Screw(M2 x 3)	CBA1511	55	Arm	CNV8348
7	Screw(M2 x 4)	CBA1835			
8	Washer	CBF1038	56	Arm	CNV8349
9		57	Arm	CNV8350
10	Spring	CBH2609	58	Clamper	CNV8365
			59	Arm	CNV8386
11	Spring	CBH2612	60	Guide	CNV8396
12	Spring	CBH2614			
13	Spring	CBH2616	61	Arm	CNV8413
14	Spring	CBH2617	62	Collar	CNV8938
15	Spring	CBH2620	63	Motor Unit(M2)	CXC4026
			64	Arm Unit	CXC4027
16	Spring	CBH2855	65	Chassis Unit	CXC4028
17	Spring	CBH2937			
18	Spring	CBH2735	66	Gear Unit	CXC4029
19	Spring	CBH2854	67	Frame Unit	CXC4031
20	Spring	CBH2642	68	Motor Unit(M1)	CXC6742
			69	Screw Unit	CXC6359
21	Spring	CBH2856	70	Screw	JFZ20P020FTC
22	Spring	CBH2857			
23	Spring	CBH2860	71	Screw	JGZ17P022FTC
24	Spring	CBH2861	72	Washer	YE20FTC
25	Spring	CBL1686	73	Pickup Unit(P10.5)(Service)	CXX1942
			74	Screw	IMS26P030FTC
26	Arm	CND1909	75	Connector(CN902)	CKS4979
27	Frame	CND2582			
28	Bracket	CND2583			
29	Arm	CND2584			
30	Lever	CND2585			
31	Arm	CND2586			
32	Bracket	CND2587			
33	Arm	CND2588			
34	Lever	CND2589			
35	Holder	CNV7201			
36	Gear	CNV7207			
37	Gear	CNV7208			
38	Gear	CNV7209			
39	Gear	CNV7210			
40	Gear	CNV7211			
41	Gear	CNV7212			
42	Rack	CNV7214			
43	Arm	CNV7216			
44	Roller	CNV7218			
45	Gear	CNV7219			
46	Guide	CNV7361			
47	Gear	CNV7595			
48	Guide	CNV7799			
49	Arm	CNV7805			

5. ELECTRICAL PARTS LIST

NOTE:

- Parts whose parts numbers are omitted are subject to being not supplied.
- The part numbers shown below indicate chip components.

Chip Resistor

RS1/○S○○○○J,RS1/○○S○○○○J

Chip Capacitor (except for CQS.....)

CKS....., CCS....., CSZS.....

- The \triangle mark found on some component parts indicates the importance of the safety factor of the part. Therefore, when replacing, be sure to use parts of identical designation.
- Meaning of the figures and others in the parentheses in the parts list.

Example) IC 301 is on the point (face A, 91 of x-axis, and 111 of y-axis) of the corresponding PC board.

IC 301 (A, 91, 111) IC NJM2068V

Circuit Symbol and No.	Part No.	Circuit Symbol and No.	Part No.
Unit Number : CWN1757(DEH-P780MP/XN/UC)	IC 441 (A,43,119) IC	NJM4558MD	
Unit Name : Tuner Amp Unit	IC 601 (A,130,64) IC	PEG221A	
Unit Number : CWN1758(DEH-P7800MP/XN/UC)	IC 661 (A,152,63) IC	S-80835CNUA-B8U	
Unit Name : Tuner Amp Unit	IC 751 (B,110,31) IC	NJM4558MD	
Unit Number : CWN1439(DEH-P8850MP/XN/ES)	IC 752 (B,124,44) IC	NJM4151M	
Unit Name : Tuner Amp Unit	IC 753 (B,125,31) IC	NJM4558MD	
Unit Number : CWS1389	IC 754 (B,110,48) IC	TC7S14FU	
Unit Name : Switch Unit	IC 801 (A,144,37) IC	BA6288FS	
Unit Number : CWX3328	IC 861 (A,62,95) IC	NJM2872F05	
Unit Name : CD Core Unit(COMP1D)	IC 871 (B,55,96) IC	NJM2885DL1-33	
Unit Number : CWS1389	Q 101 (A,19,118) Transistor	UMF23N	
Unit Name : Keyboard Unit	Q 281 (A,101,92) Transistor	UMH3N	
Unit Number : CWS1389	Q 282 (A,104,63) Transistor	UMD3N	
Unit Name : Keyboard Unit	Q 291 (A,101,70) Transistor	UMH3N	
Unit Number : CWS1389	Q 301 (A,101,81) Transistor	UMH3N	
Unit Name : Keyboard Unit	Q 321 (A,152,128) Transistor	IMH23	
Unit Number : CWS1389	Q 322 (A,145,124) Transistor	IMH23	
Unit Name : Switch Unit	Q 323 (A,136,124) Transistor	IMH23	
Unit Number : CWS1389	Q 324 (A,142,111) Transistor	UMD3N	
Unit Name : Switch Unit	Q 351 (A,122,121) Transistor	DTC124EUA	
Unit Number : CWN1757(DEH-P780MP/XN/UC)	Q 391 (A,36,55) Transistor	2SC4081	
Unit Name : Tuner Amp Unit	Q 601 (B,112,61) Transistor	UMD3N	
Unit Number : CWN1757(DEH-P780MP/XN/UC)	Q 661 (B,152,53) Transistor	2SC4081	
Unit Name : Tuner Amp Unit	Q 721 (A,15,71) Transistor	2SD2396	
Unit Number : CWN1757(DEH-P780MP/XN/UC)	Q 722 (A,34,69) Transistor	UMD3N	
Unit Name : Tuner Amp Unit	Q 793 (B,108,66) Transistor	2SC4081	
Unit Number : CWN1757(DEH-P780MP/XN/UC)	Q 794 (A,37,93) Transistor	2SC4081	
Unit Name : Tuner Amp Unit	Q 795 (A,37,87) Transistor	UMD3N	
Unit Number : CWN1757(DEH-P780MP/XN/UC)	Q 801 (B,148,19) Transistor	2SD1760F5	
Unit Name : Tuner Amp Unit	Q 812 (A,150,15) Transistor	UMD3N	
Unit Number : CWN1757(DEH-P780MP/XN/UC)	Q 831 (A,65,14) Transistor	2SB710A	
Unit Name : Tuner Amp Unit	Q 832 (B,74,24) Transistor	DTC114EU	
Unit Number : CWN1757(DEH-P780MP/XN/UC)	Q 841 (A,31,16) Transistor	2SD1760F5	
Unit Name : Tuner Amp Unit	Q 842 (A,35,33) Transistor	UMD3N	
Unit Number : CWN1757(DEH-P780MP/XN/UC)	Q 851 (B,61,21) Transistor	2SD1767	
Unit Name : Tuner Amp Unit	Q 852 (A,63,6) Transistor	UMD3N	
Unit Number : CWN1757(DEH-P780MP/XN/UC)	Q 853 (A,129,31) Transistor	2SC4081	
Unit Name : Tuner Amp Unit	Q 901 (A,15,54) Transistor	2SD2396	
Unit Number : CWN1757(DEH-P780MP/XN/UC)	Q 902 (A,31,47) Transistor	UMD3N	
Unit Name : Tuner Amp Unit	Q 911 (A,15,100) Transistor	2SD2396	
Unit Number : CWN1757(DEH-P780MP/XN/UC)	Q 912 (A,19,115) Transistor	UMD3N	
Unit Name : Tuner Amp Unit	Q 921 (A,15,84) Transistor	2SD2396	

A

MISCELLANEOUS

IC 101 (B,28,137) IC	HA12241FP
IC 121 (A,126,101) IC	PM9009A
IC 201 (A,58,74) IC	AK7732VT
IC 221 (A,73,83) IC	PCM1606EG
IC 240 (B,73,93) IC	NJM4558MD
IC 241 (B,75,50) IC	NJM4558MD
IC 261 (A,55,61) IC	TC74VHCT08AFTS1
IC 262 (A,94,59) IC	TC74VHC08FTS1
IC 271 (A,78,68) IC	TC7SH08FUS1
IC 281 (B,93,93) IC	NJM4558MD
IC 282 (B,93,71) IC	NJM4558MD
IC 283 (B,93,82) IC	NJM4558MD
IC 351 (A,100,136) IC	PAL007B
IC 371 (A,96,107) IC	PM8003A
IC 421 (B,157,85) IC	NJM2885DL1-33

Circuit Symbol and No.**Part No.****Circuit Symbol and No.****Part No.**

Q 922	(B,21,77) Transistor	UMD3N	L 206	(B,63,80) Inductor	CTF1389
Q 931	(A,72,113) Transistor	UMX1N	L 208	(A,60,65) Inductor	CTF1389
Q 941	(A,80,113) Transistor	DTC114EU	L 221	(A,81,82) Inductor	CTF1379
A					
Q 951	(A,89,118) Transistor	2SA1576	L 241	(B,82,49) Inductor	CTF1389
Q 971	(A,48,112) Transistor	UMD3N	L 261	(A,53,67) Inductor	CTF1379
Q 972	(A,54,114) Transistor	2SD1859	L 262	(A,93,63) Inductor	CTF1379
D 121	(B,126,112) Diode	RB520S-30	L 271	(A,81,67) Inductor	CTF1389
D 132	(B,121,109) Diode	1SS355	L 272	(A,81,69) Inductor	CTF1379
B					
D 133	(B,121,105) Diode	RB521S-30	L 371	(B,94,107) Inductor	CTF1379
D 134	(B,121,107) Diode	RB521S-30	L 401	(A,158,102) Inductor	LAU1R0K
D 281	(A,104,70) Diode	DAN202U	L 402	(A,151,103) Ferri-Inductor	LAU100K
D 321	(A,135,114) Diode	1SS133	L 403	(A,151,111) Inductor	LAU1R0K
D 351	(A,114,127) Diode	MPG06G-6415G50	L 404	(B,164,146) Chip Coil	LCTAW4R7J2520
B					
D 352	(A,114,124) Diode	MPG06G-6415G50	L 604	(A,136,87) Ferri-Inductor	LAU100K
D 391	(A,41,66) Diode	DAN202U	L 701	(A,98,24) Inductor	LCTAW2R2J3225
D 392	(A,41,69) Diode	HZU9L(A2)	L 831	(A,73,14) Ferri-Inductor	LAU100K
D 421	(A,158,81) Diode	1SR154-400	L 841	(A,54,15) Inductor	LAU2R2K
D 422	(A,158,85) Diode	1SR154-400	L 872	(A,39,82) Inductor	CTF1617
C					
D 423	(A,158,88) Diode	1SR154-400	L 951	(A,84,112) Inductor	LAU2R2K
D 441	(B,36,115) Diode	RSB6R8S	X 201	(A,56,88)Crystal Resonator 16.934 4 MHz	CSS1052
D 442	(B,47,118) Diode	RSB6R8S	X 371	(A,85,104)Ceramic Resonator 4.096 MHz	CSS1429
D 601	(B,118,58) Diode	DAN202U	X 601	(A,146,64)Crystal Resonator 20 MHz	VSS1167
D 671	(B,16,137) Diode	DAN202U	VR121	(A,117,109)Semi-fixed 15 kΩ(B)	CCP1397
C					
D 672	(B,21,137) Diode	DAP202U	△FU321	(A,133,127) Fuse 3 A	CEK1286
D 721	(A,27,69) Diode	HZS9L(A2)	BZ681	(A,149,47) Buzzer	CPV1062
D 751	(B,132,48) Diode Network	DA204U		FM/AM Tuner Unit	CWE1952
D 752	(B,123,36) Diode Network	DA204U	M972	Fan Motor	CXM1288
D 791	(B,108,70) Diode	HZU6L(B1)			
D					
D 794	(A,39,87) Diode	HZU9L(B2)			
D 801	(A,145,27) Diode	1SS133	R 101	(B,24,127)	RS1/16S181J
D 802	(A,145,31) Diode	1SS133	R 102	(B,33,121)	RS1/16S181J
D 803	(A,147,20) Diode	HZU7L(B2)	R 103	(B,24,121)	RS1/16S223J
D 811	(B,112,10) Diode	DAN202U	R 104	(B,30,119)	RS1/16S223J
			R 105	(B,26,121)	RS1/16S102J
D					
D 812	(B,121,10) Diode	DAP202U	R 106	(B,28,119)	RS1/16S102J
D 813	(A,109,24) Diode	DAN202U	R 107	(B,36,139)	RS1/16S101J
D 814	(A,104,24) Diode	DAP202U	R 107	(B,36,139)	RS1/16S101J
D 815	(B,103,12) Diode	DAN202U	R 108	(B,36,134)	RS1/16S101J
D 816	(B,103,16) Diode	DAP202U	R 109	(B,36,137)	RS1/16S150J
			R 110	(B,36,135)	RS1/16S470J
D					
D 817	(B,103,25) Diode	DAN202U	R 111	(B,36,132)	RS1/16S102J
D 818	(B,103,21) Diode	DAP202U	R 112	(A,23,121)	RS1/16S222J
D 841	(A,33,36) Diode	HZS9L(C2)	R 112	(A,23,121)	RS1/16S222J
D 851	(A,64,10) Diode	HZS11L(A1)	R 113	(A,20,121)	RS1/16S332J
D 853	(A,90,10) LED	SML412BC5T(MN)	R 114	(A,17,121)	RS1/16S562J
			R 122	(A,137,104)	RS1/16S0R0J
E					
D 901	(A,33,56) Diode	MPG06G-6415G50	R 123	(A,135,100)	RS1/16S0R0J
D 902	(A,26,56) Diode	HZS6L(B1)	R 124	(A,135,111)	RS1/16S0R0J
D 911	(A,11,112) Diode	HZS9L(B2)	R 124	(A,135,111)	RS1/16S0R0J
D 921	(A,27,80) Diode	HZS9L(B2)	R 125	(A,135,110)	RS1/16S0R0J
D 931	(A,70,114) Diode	HZU7L(A1)	R 126	(A,136,106)	RS1/16S0R0J
			R 127	(A,135,104)	RS1/16S0R0J
E					
D 932	(A,66,115) Diode	HZU7L(C3)	R 128	(A,136,100)	RS1/16S0R0J
D 941	(A,76,112) Diode	1SR154-400	R 128	(A,136,100)	RS1/16S0R0J
D 951	(A,89,124) Diode	DAN202U	R 129	(A,138,98)	RS1/16S0R0J
D 971	(A,54,111) Diode	HZS11L(B2)	R 130	(A,138,96)	RS1/16S0R0J
D 981	(B,85,106) Diode Network	DA204U	R 131	(A,138,95)	RS1/16S0R0J
			R 134	(A,131,110)	RAB4C102J
F					
D 982	(B,80,114) Diode	HZU7L(C2)	R 135	(A,121,110)	RS1/16S103J
D 991	(A,96,123) Diode	MPG06G-6415G50	R 137	(A,103,91)	RS1/16S0R0J
D 992	(A,96,118) Diode	MPG06G-6415G50	R 137	(A,103,91)	RS1/16S0R0J
ZNR401	(A,158,142) Surge Protector	RCCA-201Q31UA-PI	R 138	(A,113,90)	RS1/16S0R0J
L 101	(B,21,131) Inductor	LCTAW2R2J2520	R 201	(B,51,85)	RS1/16S104J
			R 202	(B,49,85)	RS1/16S104J
L 121	(A,114,114) Coil	ATH1176	R 203	(B,54,76)	RS1/16S153J
L 201	(A,53,82) Inductor	CTF1379			

RESISTORS

<u>Circuit Symbol and No.</u>		<u>Part No.</u>	<u>Circuit Symbol and No.</u>		<u>Part No.</u>
R 204	(B,60,81)	RS1/16S222J	R 308	(B,100,80)	RS1/16S102J
R 205	(A,56,65)	RS1/16S681J	R 309	(B,99,83)	RS1/16S101J
R 206	(A,59,84)	RS1/16S101J	R 310	(B,86,79)	RS1/16S101J
R 207	(A,58,65)	RS1/16S681J	R 321	(B,148,125)	RS1/16S470J
R 208	(A,64,83)	RAB4C101J	R 322	(B,146,122)	RS1/16S470J
R 212	(A,66,73)	RS1/16S101J	R 323	(A,155,128)	RS1/16S223J
R 213	(A,66,68)	RS1/16S101J	R 324	(A,151,125)	RS1/16S223J
R 214	(A,64,68)	RS1/16S101J	R 325	(B,142,123)	RS1/16S470J
R 221	(B,75,86)	RS1/16S103J	R 326	(B,137,123)	RS1/16S470J
R 222	(B,75,84)	RS1/16S103J	R 327	(A,148,124)	RS1/16S223J
R 240	(B,80,96)	RS1/16S223J	R 328	(A,142,124)	RS1/16S223J
R 241	(B,80,98)	RS1/16S223J	R 329	(B,133,125)	RS1/16S470J
R 242	(B,81,93)	RS1/16S153J	R 330	(B,133,131)	RS1/16S470J
R 243	(B,64,93)	RS1/16S153J	R 331	(A,139,124)	RS1/16S223J
R 244	(B,69,88)	RS1/16S101J	R 332	(A,131,127)	RS1/16S223J
R 247	(B,72,67)	RS1/16S101J	R 333	(A,142,115)	RS1/16S102J
R 248	(B,76,62)	RS1/16S473J	R 351	(B,97,144)	RS1/16S103J
R 249	(B,74,62)	RS1/16S473J	R 352	(A,122,118)	RS1/16S103J
R 261	(B,55,63)	RS1/16S681J	R 353	(A,122,123)	RS1/16S103J
R 262	(B,55,59)	RS1/16S681J	R 354	(A,119,122)	RS1/16S331J
R 263	(A,66,63)	RAB4C123J	R 371	(B,88,105)	RS1/16S0R0J
R 264	(B,66,60)	RAB4C223J	R 372	(B,98,107)	RS1/16S473J
R 265	(A,101,60)	RS1/16S681J	R 373	(B,128,75)	RS1/16S104J
R 266	(A,88,59)	RS1/16S681J	R 391	(A,36,51)	RS1/16S103J
R 267	(A,88,60)	RS1/16S681J	R 392	(A,37,62)	RS1/16S223J
R 268	(A,100,63)	RS1/16S681J	R 393	(A,36,62)	RS1/16S103J
R 269	(A,99,63)	RS1/16S681J	R 394	(A,34,62)	RS1/16S473J
R 270	(A,97,63)	RS1/16S681J	R 405	(B,164,111)	RS1/16S681J
R 271	(A,75,69)	RS1/16S0R0J	R 406	(B,170,127)	RS1/16S681J
R 273	(A,80,64)	RS1/16S0R0J	R 407	(B,170,129)	RS1/16S681J
R 274	(A,84,69)	RS1/16S0R0J	R 408	(B,170,131)	RS1/16S681J
R 275	(A,88,62)	RS1/16S681J	R 409	(B,170,133)	RS1/16S681J
R 276	(A,90,63)	RS1/16S681J	R 410	(B,171,137)	RS1/16S681J
R 281	(A,95,91)	RS1/16S473J	R 441	(B,41,128)	RS1/16S223J
R 282	(A,95,93)	RS1/16S473J	R 442	(B,48,128)	RS1/16S223J
R 283	(A,95,90)	RS1/16S682J	R 443	(B,41,124)	RS1/16S103J
R 284	(A,95,94)	RS1/16S682J	R 444	(B,48,124)	RS1/16S103J
R 285	(A,98,90)	RS1/16S682J	R 445	(B,39,128)	RS1/16S103J
R 286	(A,98,94)	RS1/16S682J	R 446	(B,50,128)	RS1/16S103J
R 287	(B,98,86)	RS1/16S102J	R 447	(A,37,118)	RS1/16S103J
R 288	(B,100,91)	RS1/16S102J	R 448	(A,37,116)	RS1/16S103J
R 289	(B,99,94)	RS1/16S101J	R 449	(A,36,120)	RS1/16S103J
R 290	(B,86,91)	RS1/16S101J	R 450	(A,49,119)	RS1/16S103J
R 291	(A,95,70)	RS1/16S473J	R 451	(A,42,113)	RS1/16S104J
R 292	(A,95,71)	RS1/16S473J	R 452	(A,45,114)	RS1/16S104J
R 293	(A,95,68)	RS1/16S682J	R 601	(B,128,84)	RS1/16S104J
R 294	(A,95,73)	RS1/16S682J	R 603	(B,128,82)	RS1/16S104J
R 295	(A,98,68)	RS1/16S682J	R 604	(A,132,49)	RS1/16S103J
R 296	(A,98,73)	RS1/16S682J	R 605	(B,128,80)	RS1/16S104J
R 297	(B,98,65)	RS1/16S102J	R 606	(A,137,78)	RS1/16S102J
R 298	(B,101,68)	RS1/16S102J	R 607	(B,130,70)	RS1/16S104J
R 299	(B,99,71)	RS1/16S101J	R 608	(A,123,79)	RS1/16S104J
R 300	(B,87,67)	RS1/16S101J	R 609	(A,117,68)	RS1/16S102J
R 301	(A,95,80)	RS1/16S473J	R 611	(B,138,80)	RS1/16S472J
R 302	(A,95,82)	RS1/16S473J	R 613	(B,137,82)	RS1/16S472J
R 303	(A,95,79)	RS1/16S682J	R 615	(B,132,62)	RS1/16S104J
R 304	(A,95,83)	RS1/16S682J	R 616	(B,133,66)	RS1/16S104J
R 305	(A,98,79)	RS1/16S682J	R 617	(A,140,50)	RAB4C104J
R 306	(A,98,83)	RS1/16S682J	R 619	(B,143,63)	RS1/16S0R0J
R 307	(B,97,76)	RS1/16S102J	R 621	(A,116,57)	RAB4C104J

Circuit Symbol and No.**Part No.****Circuit Symbol and No.****Part No.**

R 625	(A,117,66)	RS1/16S104J	R 804	(B,140,38)	RS1/16S563J
R 627	(A,131,79)	RAB4C681J	R 806	(B,149,39)	RS1/16S102J
R 628	(A,128,78)	RS1/16S681J	R 807	(A,148,15)	RS1/4SA102J
A R 629	(B,124,75)	RS1/16S681J	R 808	(B,149,35)	RS1/16S102J
R 631	(A,113,61)	RS1/16S104J	R 811	(B,107,23)	RS1/16S222J
R 632	(A,129,49)	RS1/16S104J	R 812	(B,109,15)	RS1/16S222J
R 633	(B,133,54)	RS1/16S104J	R 813	(B,107,25)	RS1/16S222J
R 635	(A,114,54)	RS1/16S104J	R 814	(B,112,14)	RS1/16S222J
R 639	(A,114,52)	RS1/16S104J	R 815	(A,113,24)	RS1/16S222J
R 652	(A,146,73)	RS1/16S104J	R 816	(B,115,14)	RS1/16S222J
R 661	(B,152,46)	RS1/16S222J	R 817	(B,118,14)	RS1/16S222J
R 662	(A,150,56)	RS1/16S102J	R 818	(A,115,24)	RS1/16S222J
R 664	(B,152,50)	RS1/16S473J	R 819	(A,117,24)	RS1/16S104J
R 665	(A,153,58)	RS1/16S183J	R 820	(B,104,18)	RS1/16S223J
B R 671	(B,10,137)	RS1/16S102J	R 821	(B,107,9)	RS1/16S473J
R 672	(B,12,137)	RS1/16S102J	R 831	(B,67,12)	RS1/16S472J
R 681	(B,147,47)	RS1/16S102J	R 832	(B,69,24)	RS1/16S821J
R 701	(B,93,40)	RS1/16S682J	R 833	(B,77,20)	RS1/16S222J
R 702	(B,93,44)	RS1/16S682J	R 841	(A,36,21)	RS1/16S1R0J
R 703	(A,95,44)	RS1/16S682J	R 842	(A,35,30)	RS1/4SA271J
R 704	(A,95,47)	RS1/16S682J	R 851	(B,60,24)	RS1/16S1R0J
R 705	(B,93,48)	RS1/16S221J	R 852	(B,56,17)	RS1/4SA391J
R 706	(B,105,46)	RS1/16S221J	R 853	(A,131,31)	RS1/16S562J
R 707	(B,93,46)	RS1/16S221J	R 854	(A,129,34)	RS1/16S103J
C R 708	(B,105,44)	RS1/16S221J	R 855	(A,87,13)	RS1/16S151J
R 709	(B,93,42)	RS1/16S221J	R 901	(B,19,53)	RS1/16S223J
R 710	(B,105,42)	RS1/16S681J	R 902	(A,33,47)	RS1/16S272J
R 711	(B,103,37)	RS1/16S473J	R 911	(A,19,113)	RS1/16S821J
R 712	(A,114,66)	RS1/16S104J	R 921	(B,14,82)	RS1/16S821J
R 721	(B,21,62)	RS1/4SA391J	R 931	(A,66,113)	RS1/16S104J
R 751	(B,132,36)	RS1/16S393J	R 932	(A,72,115)	RS1/16S103J
R 752	(B,127,48)	RS1/16S104J	R 933	(B,67,118)	RS1/16S473J
R 753	(B,132,38)	RS1/16S472J	R 934	(B,65,118)	RS1/16S473J
R 754	(B,132,34)	RS1/16S471J	R 935	(B,69,118)	RS1/16S472J
R 755	(B,131,45)	RS1/16S273J	R 941	(A,79,115)	RS1/16S103J
D R 757	(B,118,28)	RS1/16S104J	R 951	(A,89,116)	RS1/16S102J
R 758	(B,116,32)	RS1/16S222J	R 952	(A,86,118)	RS1/16S472J
R 759	(B,117,35)	RS1/16S471J	R 953	(A,90,121)	RS1/16S472J
R 760	(B,117,25)	RS1/16S471J	R 954	(A,87,121)	RS1/16S153J
R 761	(B,112,36)	RS1/16S473J	R 971	(A,49,116)	RS1/16S391J
R 762	(B,109,37)	RS1/16S473J	R 972	(B,62,117)	RS1/16S1R0J
R 763	(B,116,49)	RS1/16S103J	R 981	(B,76,109)	RS1/16S102J
R 764	(B,127,50)	RS1/16S103J	R 982	(B,79,108)	RS1/16S153J
R 765	(B,109,43)	RS1/16S473J	R 983	(B,72,115)	RS1/16S102J
R 766	(B,109,41)	RS1/16S473J	CAPACITORS		
R 767	(B,118,49)	RS1/16S472J	C 101	(B,31,131)	CKSRYB104K16
E R 768	(B,115,44)	RS1/16S103J	C 102	(B,32,141)	CKSRYB102K50
R 769	(B,121,48)	RS1/16S682J	C 103	(B,36,141)	CKSRYB102K50
R 770	(B,133,31)	RS1/16S333J	C 121	(A,111,103)	CKSQYB225K10
R 771	(B,133,27)	RS1/16S332J	C 122	(A,111,101)	CKSQYB225K10
R 773	(B,114,47)	RS1/16S0R0J	C 123	(A,111,105)	CKSQYB225K10
R 774	(B,125,27)	RS1/16S473J	C 124	(A,111,99)	CKSQYB225K10
R 775	(B,127,35)	RS1/16S473J	C 125	(A,117,103)	CKSRYB105K10
R 776	(B,136,24)	RS1/16S473J	C 126	(A,117,101)	CKSRYB105K10
R 777	(B,137,27)	RS1/16S473J	C 127	(A,117,99)	CKSRYB104K16
R 791	(B,104,66)	RS1/16S122J	C 128	(A,117,98)	CKSRYB104K16
R 793	(A,37,91)	RS1/16S152J	C 129	(A,117,91)	CEJQ4R7M35
F R 801	(A,149,39)	RS1/16S102J	C 130	(A,123,91)	CEJQ4R7M35
R 802	(A,139,39)	RS1/16S102J	C 131	(A,114,95)	CKSQYB225K10
R 803	(B,146,35)	RS1/16S103J	C 132	(A,111,110)	CKSYB475K10

5		6		7		8	
<u>Circuit Symbol and No.</u>		<u>Part No.</u>		<u>Circuit Symbol and No.</u>		<u>Part No.</u>	
C 133	(A,111,108)	CKSYB475K10		C 293	(A,98,70)	CCSRCH331J50	
C 134	(A,124,110)	CKSRYB105K10		C 294	(A,98,71)	CCSRCH331J50	
C 135	(A,127,110)	CKSRYB105K10		C 295	(B,93,65)	CKSRYB105K10	A
C 136	(A,119,114)	CEJQ470M10		C 296	(B,101,71)	CKSRYB105K10	
C 137	(A,126,114)	CEJQ470M10		C 297	(B,87,73)	CKSRYB104K16	
C 139	(B,116,108)	CKSRYB105K10		C 301	(A,95,77)	CCSRCH681J50	
C 151	(B,126,110)	CKSRYB105K10		C 302	(A,95,85)	CCSRCH681J50	
C 201	(B,51,78)	CKSRYB104K16		C 303	(A,98,80)	CCSRCH331J50	
C 202	(B,53,79)	CKSRYB682K50		C 304	(A,98,82)	CCSRCH331J50	
C 203	(B,53,73)	CKSRYB104K16		C 305	(B,93,76)	CKSRYB105K10	
C 204	(B,51,71)	CKSRYB104K16		C 306	(B,101,83)	CKSRYB105K10	
C 205	(A,48,80)	CEJQ100M16		C 307	(B,86,84)	CKSRYB104K16	
C 206	(A,48,74)	CEJQ100M16		C 321	(A,151,119)	CEJQNP100M10	
C 207	(A,48,69)	CEJQ100M16		C 322	(A,144,119)	CEJQNP100M10	B
C 208	(B,56,81)	CKSRYB104K16		C 323	(A,138,119)	CEJQNP100M10	
C 209	(B,54,84)	CCSRCH8R0D50		C 324	(A,131,119)	CEJQNP100M10	
C 210	(B,59,73)	CKSRYB104K16		C 325	(A,127,124)	CEJQNP100M10	
C 211	(B,59,84)	CCSRCH8R0D50		C 326	(A,128,130)	CEJQNP100M10	
C 212	(B,61,76)	CKSRYB104K16		C 327	(A,151,131)	CKSRYB102K50	
C 213	(B,61,72)	CKSRYB104K16		C 328	(A,146,112)	CEJQ220M16	
C 214	(B,60,79)	CCSRCH680J50		C 351	(B,126,120)	CKSQYB474K16	
C 215	(B,62,76)	CKSRYB104K16		C 352	(B,121,121)	CKSQYB474K16	
C 216	(B,66,64)	CCSRCH680J50		C 353	(B,124,120)	CKSQYB474K16	
C 217	(B,47,85)	CKSYB106K6R3		C 354	(B,119,121)	CKSQYB474K16	
C 220	(B,62,91)	CKSRYB103K50		C 355	(A,114,119)	CEJQ330M10	C
C 221	(B,78,83)	CCSRCH101J50		C 357	(A,83,122) 3 300 μF/16 V	CCH1486	
C 224	(A,79,74)	CEVW100M10		C 358	(B,93,137)	CKSRYB104K25	
C 225	(A,80,80)	CKSRYB104K16		C 359	(A,121,127)	CEHAR100M16	
C 226	(A,84,74)	CSZS100M16		C 360	(A,121,132)	CKSQYB225K10	
C 227	(A,82,80)	CKSRYB104K16		C 361	(A,123,132)	CKSQYB225K10	
C 228	(A,90,84)	CEVW100M10		C 363	(B,119,137)	CKSRYB474K10	
C 229	(A,90,78)	CEVW100M10		C 364	(B,118,132)	CKSRYB474K10	
C 230	(A,90,73)	CEVW100M10		C 365	(B,119,135)	CKSRYB474K10	
C 231	(A,90,67)	CEVW100M10		C 366	(B,118,130)	CKSRYB474K10	
C 232	(A,90,95)	CEVW100M10		C 371	(B,91,109)	CKSRYB104K16	
C 233	(A,90,89)	CEVW100M10		C 372	(B,97,109)	CKSRYB104K16	D
C 240	(B,79,93)	CCSRCH220J50		C 373	(B,96,105)	CKSRYB104K16	
C 241	(B,66,93)	CCSRCH220J50		C 374	(A,107,113)	CEAL100M16	
C 242	(B,83,92)	CKSRYB104K16		C 378	(B,95,111)	CKSRYB105K10	
C 243	(B,63,68)	CKSRYB332K50		C 401	(B,170,106)	CKSRYB103K50	
C 244	(A,70,76)	CKSYB106K6R3		C 402	(B,153,108)	CKSRYB102K50	
C 245	(A,70,71)	CKSYB106K6R3		C 403	(A,158,108)	CEJQ470M10	
C 246	(B,55,67)	CKSRYB332K50		C 404	(B,164,107)	CKSYB475K10	
C 247	(B,68,83)	CKSYB106K6R3		C 405	(B,171,139)	CKSRYB103K50	
C 250	(A,71,66)	CKSYB106K6R3		C 406	(A,158,115)	CEJQ101M10	
C 251	(A,71,60)	CKSYB106K6R3		C 408	(B,158,111)	CKSRYB102K50	E
C 252	(B,75,45)	CKSRYB104K16		C 421	(A,159,93)	CEJQ220M16	
C 261	(A,53,65)	CKSRYB104K16		C 422	(B,154,90)	CKSRYB103K50	
C 262	(A,95,63)	CKSRYB104K16		C 423	(B,153,80)	CKSYB475K10	
C 272	(A,78,66)	CCSRCH560J50		C 424	(B,132,94)	CKSRYB103K50	
C 273	(A,82,67)	CKSRYB103K50		C 441	(B,39,124)	CKSQYB225K10	
C 281	(A,95,88)	CCSRCH681J50		C 442	(B,50,124)	CKSQYB225K10	
C 282	(A,95,96)	CCSRCH681J50		C 443	(B,40,120)	CKSQYB225K10	
C 283	(A,98,91)	CCSRCH331J50		C 444	(B,47,120)	CKSQYB225K10	
C 284	(A,98,93)	CCSRCH331J50		C 445	(A,38,120)	CCSRCH101J50	
C 285	(B,93,86)	CKSRYB105K10		C 446	(A,48,119)	CCSRCH101J50	
C 286	(B,101,95)	CKSRYB105K10		C 447	(A,42,115)	CKSRYB105K10	F
C 287	(B,92,97)	CKSRYB104K16		C 448	(A,37,112)	CEVW100M10	
C 291	(A,95,67)	CCSRCH681J50		C 601	(A,126,80)	CKSRYB104K16	
C 292	(A,95,74)	CCSRCH681J50		C 602	(A,137,81)	CKSRYB104K16	

Circuit Symbol and No.**Part No.****Circuit Symbol and No.****Part No.**

A	C 603	(A,121,80)	CKSRYB104K16
	C 605	(B,134,86)	CKSRYB103K50
	C 606	(A,132,87)	CEJQ4R7M35
	C 607	(B,148,65)	CCSRCH7R0D50
	C 608	(B,148,61)	CCSRCH7R0D50
	C 610	(A,115,62)	CKSRYB104K16
	C 611	(A,135,50)	CKSRYB104K16
	C 612	(A,131,51)	CKSRYB104K16
	C 613	(B,131,75)	CCSRCH331J50
	C 662	(B,152,48)	CKSRYB104K16
	C 663	(A,153,56)	CKSRYB105K10
	C 721	(B,27,71)	CKSRYB473K25
B	C 722	(B,26,64)	CKSRYB102K50
	C 723	(A,26,62)	CEJQ101M10
	C 743	(A,93,51)	CEJQ101M10
	C 751	(A,136,38)	CEJQ4R7M35
	C 752	(A,136,43)	CEJQ1R0M50
	C 753	(A,136,32)	CEJQ4R7M35
	C 754	(B,109,35)	CKSRYB104K16
	C 755	(B,116,28)	CKSRYB102K50
	C 756	(B,118,32)	CCSRCH101J50
	C 758	(B,131,27)	CKSRYB105K10
	C 759	(B,121,50)	CKSRYB104K16
C	C 760	(B,120,36)	CKSRYB104K16
	C 761	(B,125,25)	CKSRYB104K16
	C 762	(B,115,42)	CKSRYB472K50
	C 763	(B,117,46)	CKSRYB102K50
	C 764	(B,109,45)	CKSRYB104K16
	C 765	(B,131,31)	CKSRYB471K50
	C 768	(B,135,27)	CKSRYB104K16
	C 769	(B,72,109)	CKSRYB153K50
	C 791	(B,112,68)	CKSRYB103K50
	C 796	(A,41,87)	CKSRYB103K50
	C 801	(B,140,40)	CKSRYB103K50
	C 802	(B,151,29)	CKSRYB102K50
D	C 803	(A,139,34)	CCSRCH101J50
	C 804	(A,149,34)	CCSRCH101J50
	C 806	(B,153,24)	CKSRYB102K50
	C 807	(A,154,17)	CKSRYB104K16
	C 808	(A,152,21)	CEVW220M16
	C 831	(B,77,18)	CKSRYB104K16
	C 832	(A,73,8)	CEVW470M10
	C 841	(A,54,9)	CEVW470M16
	C 842	(B,35,34)	CKSRYB104K16
	C 843	(B,34,28)	CKSRYB102K50
E	C 844	(A,34,26)	CEJQ330M16
	C 851	(B,62,12)	CKSRYB473K25
	C 852	(A,90,13)	CKSRYB104K16
	C 861	(A,59,94)	CKSRYB105K6R3
	C 862	(A,59,96)	CKSRYB103K50
	C 863	(A,65,95)	CKSRYB104K16
	C 871	(A,41,72)	CKSRYB104K16
	C 873	(A,38,76)	CEVW101M6R3
	C 875	(A,36,82)	CKSRYB105K10
	C 877	(A,46,96)	CEVW101M6R3
	C 878	(A,53,97)	CKSRYB103K50
F	C 879	(B,46,95)	CKSYB475K10
	C 901	(A,24,44) 2 200 μ F/16 V	CCH1405
	C 903	(B,25,59)	CKSRYB472K50
	C 904	(B,25,49)	CKSRYB103K50

C 905	(A,25,51)	CEJQ470M10
C 911	(A,30,106)	CEJQ221M10
C 912	(B,11,114)	CKSRYB103K50
C 913	(A,11,117)	CEJQ101M10
C 921	(A,29,96) 470 μ F/16 V	CCH1325
C 922	(B,27,78)	CKSRYB103K50
C 923	(A,27,74)	CEJQ101M10
C 932	(B,71,118)	CKSRYB104K16
C 941	(A,80,111)	CKSQYB105K16
C 963	(A,74,132)	CKSQYB105K10
C 964	(B,71,129)	CKSQYB105K16
C 965	(B,69,129)	CKSQYB105K16
C 966	(B,70,142)	CKSQYB105K16
C 967	(A,71,132)	CKSQYB105K16
C 968	(A,69,132)	CKSQYB105K16
C 969	(A,66,132)	CKSQYB105K16
C 971	(B,60,109)	CKSRYB103K50
C 972	(B,59,113)	CKSRYB103K50
C 973	(A,61,113)	CEJQ100M16
C 981	(B,79,110)	CKSRYB104K16

A

Unit Number : CWN1758(DEH-P7800MP/XN/UC)
Unit Name : Tuner Amp Unit

MISCELLANEOUS

IC 101	(B,28,137) IC	HA12241FP
IC 121	(A,126,101) IC	PM9009A
IC 201	(A,58,74) IC	AK7732VT
IC 221	(A,73,83) IC	PCM1606EG
IC 240	(B,73,93) IC	NJM4558MD
IC 241	(B,75,50) IC	NJM4558MD
IC 261	(A,55,61) IC	TC74VHCT08AFTS1
IC 262	(A,94,59) IC	TC74VHC08FTS1
IC 271	(A,78,68) IC	TC7SH08FUS1
IC 281	(B,93,93) IC	NJM4558MD
IC 282	(B,93,71) IC	NJM4558MD
IC 283	(B,93,82) IC	NJM4558MD
IC 351	(A,100,136) IC	PAL007B
IC 371	(A,96,107) IC	PM8003A
IC 421	(B,157,85) IC	NJM2885DL1-33
IC 441	(A,43,119) IC	NJM4558MD
IC 601	(A,130,64) IC	PEG221A
IC 661	(A,152,63) IC	S-80835CNUA-B8U
IC 751	(B,110,31) IC	NJM4558MD
IC 752	(B,124,44) IC	NJM4151M
IC 753	(B,125,31) IC	NJM4558MD
IC 754	(B,110,48) IC	TC7S14FU
IC 801	(A,144,37) IC	BA6288FS
IC 861	(A,62,95) IC	NJM2872F05
IC 871	(B,55,96) IC	NJM2885DL1-33
Q 101	(A,19,118) Transistor	UMF23N
Q 281	(A,101,92) Transistor	UMH3N
Q 282	(A,104,63) Transistor	UMD3N
Q 291	(A,101,70) Transistor	UMH3N
Q 301	(A,101,81) Transistor	UMH3N
Q 321	(A,152,128) Transistor	IMH23
Q 322	(A,145,124) Transistor	IMH23
Q 323	(A,136,124) Transistor	IMH23

<u>Circuit Symbol and No.</u>		<u>Part No.</u>	<u>Circuit Symbol and No.</u>		<u>Part No.</u>
Q 324	(A,142,111) Transistor	UMD3N	D 815	(B,103,12) Diode	DAN202U
Q 351	(A,122,121) Transistor	DTC124EUA	D 816	(B,103,16) Diode	DAP202U
Q 391	(A,36,55) Transistor	2SC4081	D 817	(B,103,25) Diode	DAN202U
Q 601	(B,112,61) Transistor	UMD3N	D 818	(B,103,21) Diode	DAP202U
Q 661	(B,152,53) Transistor	2SC4081	D 841	(A,33,36) Diode	HZS9L(C2)
Q 721	(A,15,71) Transistor	2SD2396	D 851	(A,64,10) Diode	HZS11L(A1)
Q 722	(A,34,69) Transistor	UMD3N	D 853	(A,90,10) LED	SML412BC5T(MN)
Q 793	(B,108,66) Transistor	2SC4081	D 901	(A,33,56) Diode	MPG06G-6415G50
Q 794	(A,37,93) Transistor	2SC4081	D 902	(A,26,56) Diode	HZS6L(B1)
Q 795	(A,37,87) Transistor	UMD3N	D 911	(A,11,112) Diode	HZS9L(B2)
Q 801	(B,148,19) Transistor	2SD1760F5	D 921	(A,27,80) Diode	HZS9L(B2)
Q 812	(A,150,15) Transistor	UMD3N	D 931	(A,70,114) Diode	HZU7L(A1)
Q 831	(A,65,14) Transistor	2SB710A	D 932	(A,66,115) Diode	HZU7L(C3)
Q 832	(B,74,24) Transistor	DTC114EU	D 941	(A,76,112) Diode	1SR154-400
Q 841	(A,31,16) Transistor	2SD1760F5	D 951	(A,89,124) Diode	DAN202U
Q 842	(A,35,33) Transistor	UMD3N	D 971	(A,54,111) Diode	HZS11L(B2)
Q 851	(B,61,21) Transistor	2SD1767	D 981	(B,85,106) Diode Network	DA204U
Q 852	(A,63,6) Transistor	UMD3N	D 982	(B,80,114) Diode	HZU7L(C2)
Q 853	(A,129,31) Transistor	2SC4081	D 991	(A,96,123) Diode	MPG06G-6415G50
Q 901	(A,15,54) Transistor	2SD2396	D 992	(A,96,118) Diode	MPG06G-6415G50
Q 902	(A,31,47) Transistor	UMD3N	ZNR401	(A,158,142) Surge Protector	RCCA-201Q31UA-PI
Q 911	(A,15,100) Transistor	2SD2396	L 101	(B,21,131) Inductor	LCTAW2R2J2520
Q 912	(A,19,115) Transistor	UMD3N	L 121	(A,114,114) Coil	ATH1176
Q 921	(A,15,84) Transistor	2SD2396	L 201	(A,53,82) Inductor	CTF1379
Q 922	(B,21,77) Transistor	UMD3N	L 206	(B,63,80) Inductor	CTF1389
Q 931	(A,72,113) Transistor	UMX1N	L 208	(A,60,65) Inductor	CTF1389
Q 941	(A,80,113) Transistor	DTC114EU	L 221	(A,81,82) Inductor	CTF1379
Q 951	(A,89,118) Transistor	2SA1576	L 241	(B,82,49) Inductor	CTF1389
Q 971	(A,48,112) Transistor	UMD3N	L 261	(A,53,67) Inductor	CTF1379
Q 972	(A,54,114) Transistor	2SD1859	L 262	(A,93,63) Inductor	CTF1379
D 121	(B,126,112) Diode	RB520S-30	L 271	(A,81,67) Inductor	CTF1389
D 132	(B,121,109) Diode	1SS355	L 272	(A,81,69) Inductor	CTF1379
D 133	(B,121,105) Diode	RB521S-30	L 371	(B,94,107) Inductor	CTF1379
D 134	(B,121,107) Diode	RB521S-30	L 401	(A,158,102) Inductor	LAU1R0K
D 281	(A,104,70) Diode	DAN202U	L 402	(A,151,103) Ferri-Inductor	LAU100K
D 321	(A,135,114) Diode	1SS133	L 403	(A,151,111) Inductor	LAU1R0K
D 351	(A,114,127) Diode	MPG06G-6415G50	L 404	(B,164,146) Chip Coil	LCTAW4R7J2520
D 352	(A,114,124) Diode	MPG06G-6415G50	L 604	(A,136,87) Ferri-Inductor	LAU100K
D 391	(A,41,66) Diode	DAN202U	L 701	(A,98,24) Inductor	LCTAW2R2J3225
D 392	(A,41,69) Diode	HZU9L(A2)	L 831	(A,73,14) Ferri-Inductor	LAU100K
D 421	(A,158,81) Diode	1SR154-400	L 841	(A,54,15) Inductor	LAU2R2K
D 422	(A,158,85) Diode	1SR154-400	L 872	(A,39,82) Inductor	CTF1617
D 423	(A,158,88) Diode	1SR154-400	L 951	(A,84,112) Inductor	LAU2R2K
D 441	(B,36,115) Diode	RSB6R8S	X 201	(A,56,88) Crystal Resonator 16.934 4 MHz	CSS1052
D 442	(B,47,118) Diode	RSB6R8S	X 371	(A,85,104) Ceramic Resonator 4.096 MHz	CSS1429
D 601	(B,118,58) Diode	DAN202U	X 601	(A,146,64) Crystal Resonator 20 MHz	VSS1167
D 671	(B,16,137) Diode	DAN202U	VR121	(A,117,109) Semi-fixed 15 kΩ(B)	CCP1397
D 672	(B,21,137) Diode	DAP202U	△FU321	(A,133,127) Fuse 3 A	CEK1286
D 721	(A,27,69) Diode	HZS9L(A2)	BZ681	(A,149,47) Buzzer	CPV1062
D 751	(B,132,48) Diode Network	DA204U		FM/AM Tuner Unit	CWE1952
D 752	(B,123,36) Diode Network	DA204U	M972	Fan Motor	CXM1288
D 791	(B,108,70) Diode	HZU6L(B1)			
D 794	(A,39,87) Diode	HZU9L(B2)			
D 801	(A,145,27) Diode	1SS133	R 101	(B,24,127)	RS1/16S181J
D 802	(A,145,31) Diode	1SS133	R 102	(B,33,121)	RS1/16S181J
D 803	(A,147,20) Diode	HZU7L(B2)	R 103	(B,24,121)	RS1/16S223J
D 811	(B,112,10) Diode	DAN202U	R 104	(B,30,119)	RS1/16S223J
			R 105	(B,26,121)	RS1/16S102J
D 812	(B,121,10) Diode	DAP202U			
D 813	(A,109,24) Diode	DAN202U	R 106	(B,28,119)	RS1/16S102J
D 814	(A,104,24) Diode	DAP202U	R 107	(B,36,139)	RS1/16S101J

RESISTORS

Circuit Symbol and No.**Part No.****Circuit Symbol and No.****Part No.**

R 108	(B,36,134)	RS1/16S101J	R 284	(A,95,94)	RS1/16S682J
R 109	(B,36,137)	RS1/16S150J	R 285	(A,98,90)	RS1/16S682J
R 110	(B,36,135)	RS1/16S470J	R 286	(A,98,94)	RS1/16S682J
A					
R 111	(B,36,132)	RS1/16S102J	R 287	(B,98,86)	RS1/16S102J
R 112	(A,23,121)	RS1/16S222J	R 288	(B,100,91)	RS1/16S102J
R 113	(A,20,121)	RS1/16S332J	R 289	(B,99,94)	RS1/16S101J
R 114	(A,17,121)	RS1/16S562J	R 290	(B,86,91)	RS1/16S101J
R 122	(A,137,104)	RS1/16S0R0J	R 291	(A,95,70)	RS1/16S473J
R 123	(A,135,100)	RS1/16S0R0J	R 292	(A,95,71)	RS1/16S473J
R 124	(A,135,111)	RS1/16S0R0J	R 293	(A,95,68)	RS1/16S682J
R 125	(A,135,110)	RS1/16S0R0J	R 294	(A,95,73)	RS1/16S682J
R 126	(A,136,106)	RS1/16S0R0J	R 295	(A,98,68)	RS1/16S682J
R 127	(A,135,104)	RS1/16S0R0J	R 296	(A,98,73)	RS1/16S682J
B					
R 128	(A,136,100)	RS1/16S0R0J	R 297	(B,98,65)	RS1/16S102J
R 129	(A,138,98)	RS1/16S0R0J	R 298	(B,101,68)	RS1/16S102J
R 130	(A,138,96)	RS1/16S0R0J	R 299	(B,99,71)	RS1/16S101J
R 131	(A,138,95)	RS1/16S0R0J	R 300	(B,87,67)	RS1/16S101J
R 134	(A,131,110)	RAB4C102J	R 301	(A,95,80)	RS1/16S473J
R 135	(A,121,110)	RS1/16S103J	R 302	(A,95,82)	RS1/16S473J
R 137	(A,103,91)	RS1/16S0R0J	R 303	(A,95,79)	RS1/16S682J
R 138	(A,113,90)	RS1/16S0R0J	R 304	(A,95,83)	RS1/16S682J
R 201	(B,51,85)	RS1/16S104J	R 305	(A,98,79)	RS1/16S682J
R 202	(B,49,85)	RS1/16S104J	R 306	(A,98,83)	RS1/16S682J
C					
R 203	(B,54,76)	RS1/16S153J	R 307	(B,97,76)	RS1/16S102J
R 204	(B,60,81)	RS1/16S222J	R 308	(B,100,80)	RS1/16S102J
R 205	(A,56,65)	RS1/16S681J	R 309	(B,99,83)	RS1/16S101J
R 206	(A,59,84)	RS1/16S101J	R 310	(B,86,79)	RS1/16S101J
R 207	(A,58,65)	RS1/16S681J	R 321	(B,148,125)	RS1/16S470J
R 208	(A,64,83)	RAB4C101J	R 322	(B,146,122)	RS1/16S470J
R 212	(A,66,73)	RS1/16S101J	R 323	(A,155,128)	RS1/16S223J
R 213	(A,66,68)	RS1/16S101J	R 324	(A,151,125)	RS1/16S223J
R 214	(A,64,68)	RS1/16S101J	R 325	(B,142,123)	RS1/16S470J
R 221	(B,75,86)	RS1/16S103J	R 326	(B,137,123)	RS1/16S470J
R 222	(B,75,84)	RS1/16S103J	R 327	(A,148,124)	RS1/16S223J
R 240	(B,80,96)	RS1/16S223J	R 328	(A,142,124)	RS1/16S223J
D					
R 241	(B,80,98)	RS1/16S223J	R 329	(B,133,125)	RS1/16S470J
R 242	(B,81,93)	RS1/16S153J	R 330	(B,133,131)	RS1/16S470J
R 243	(B,64,93)	RS1/16S153J	R 331	(A,139,124)	RS1/16S223J
R 244	(B,69,88)	RS1/16S101J	R 332	(A,131,127)	RS1/16S223J
R 247	(B,72,67)	RS1/16S101J	R 333	(A,142,115)	RS1/16S102J
R 248	(B,76,62)	RS1/16S473J	R 351	(B,97,144)	RS1/16S103J
R 249	(B,74,62)	RS1/16S473J	R 352	(A,122,118)	RS1/16S103J
R 261	(B,55,63)	RS1/16S681J	R 353	(A,122,123)	RS1/16S103J
R 262	(B,55,59)	RS1/16S681J	R 354	(A,119,122)	RS1/16S331J
R 263	(A,66,63)	RAB4C123J	R 371	(B,88,105)	RS1/16S0R0J
R 264	(B,66,60)	RAB4C223J	R 372	(B,98,107)	RS1/16S473J
E					
R 265	(A,101,60)	RS1/16S681J	R 373	(B,128,75)	RS1/16S104J
R 266	(A,88,59)	RS1/16S681J	R 391	(A,36,51)	RS1/16S103J
R 267	(A,88,60)	RS1/16S681J	R 392	(A,37,62)	RS1/16S223J
R 268	(A,100,63)	RS1/16S681J	R 393	(A,36,62)	RS1/16S103J
R 269	(A,99,63)	RS1/16S681J	R 394	(A,34,62)	RS1/16S473J
R 270	(A,97,63)	RS1/16S681J	R 405	(B,164,111)	RS1/16S681J
R 271	(A,75,69)	RS1/16S0R0J	R 406	(B,170,127)	RS1/16S681J
R 273	(A,80,64)	RS1/16S0R0J	R 407	(B,170,129)	RS1/16S681J
R 274	(A,84,69)	RS1/16S0R0J	R 408	(B,170,131)	RS1/16S681J
R 275	(A,88,62)	RS1/16S681J	R 409	(B,170,133)	RS1/16S681J
R 276	(A,90,63)	RS1/16S681J	R 410	(B,171,137)	RS1/16S681J
F					
R 281	(A,95,91)	RS1/16S473J	R 441	(B,41,128)	RS1/16S223J
R 282	(A,95,93)	RS1/16S473J	R 442	(B,48,128)	RS1/16S223J
R 283	(A,95,90)	RS1/16S682J	R 443	(B,41,124)	RS1/16S103J

<u>Circuit Symbol and No.</u>		<u>Part No.</u>	<u>Circuit Symbol and No.</u>		<u>Part No.</u>
R 444	(B,48,124)	RS1/16S103J	R 758	(B,116,32)	RS1/16S222J
R 445	(B,39,128)	RS1/16S103J	R 759	(B,117,35)	RS1/16S471J
R 446	(B,50,128)	RS1/16S103J	R 760	(B,117,25)	RS1/16S471J
R 447	(A,37,118)	RS1/16S103J	R 761	(B,112,36)	RS1/16S473J
R 448	(A,37,116)	RS1/16S103J	R 762	(B,109,37)	RS1/16S473J
R 449	(A,36,120)	RS1/16S103J	R 763	(B,116,49)	RS1/16S103J
R 450	(A,49,119)	RS1/16S103J	R 764	(B,127,50)	RS1/16S103J
R 451	(A,42,113)	RS1/16S104J	R 765	(B,109,43)	RS1/16S473J
R 452	(A,45,114)	RS1/16S104J	R 766	(B,109,41)	RS1/16S473J
R 601	(B,128,84)	RS1/16S104J	R 767	(B,118,49)	RS1/16S472J
R 603	(B,128,82)	RS1/16S104J	R 768	(B,115,44)	RS1/16S103J
R 604	(A,132,49)	RS1/16S103J	R 769	(B,121,48)	RS1/16S682J
R 605	(B,128,80)	RS1/16S104J	R 770	(B,133,31)	RS1/16S333J
R 606	(A,137,78)	RS1/16S102J	R 771	(B,133,27)	RS1/16S332J
R 607	(B,130,70)	RS1/16S104J	R 773	(B,114,47)	RS1/16S0R0J
R 608	(A,123,79)	RS1/16S104J	R 774	(B,125,27)	RS1/16S473J
R 609	(A,117,68)	RS1/16S102J	R 775	(B,127,35)	RS1/16S473J
R 611	(B,138,80)	RS1/16S472J	R 776	(B,136,24)	RS1/16S473J
R 613	(B,137,82)	RS1/16S472J	R 777	(B,137,27)	RS1/16S473J
R 615	(B,132,62)	RS1/16S104J	R 791	(B,104,66)	RS1/16S122J
R 616	(B,133,66)	RS1/16S104J	R 793	(A,37,91)	RS1/16S152J
R 617	(A,140,50)	RAB4C104J	R 801	(A,149,39)	RS1/16S102J
R 619	(B,143,63)	RS1/16S0R0J	R 802	(A,139,39)	RS1/16S102J
R 621	(A,116,57)	RAB4C104J	R 803	(B,146,35)	RS1/16S103J
R 625	(A,117,66)	RS1/16S104J	R 804	(B,140,38)	RS1/16S563J
R 627	(A,131,79)	RAB4C681J	R 806	(B,149,39)	RS1/16S102J
R 628	(A,128,78)	RS1/16S681J	R 807	(A,148,15)	RS1/4SA102J
R 629	(B,124,75)	RS1/16S681J	R 808	(B,149,35)	RS1/16S102J
R 631	(A,113,61)	RS1/16S104J	R 811	(B,107,23)	RS1/16S222J
R 632	(A,129,49)	RS1/16S104J	R 812	(B,109,15)	RS1/16S222J
R 633	(B,133,54)	RS1/16S104J	R 813	(B,107,25)	RS1/16S222J
R 636	(A,117,54)	RS1/16S0R0J	R 814	(B,112,14)	RS1/16S222J
R 639	(A,114,52)	RS1/16S104J	R 815	(A,113,24)	RS1/16S222J
R 652	(A,146,73)	RS1/16S104J	R 816	(B,115,14)	RS1/16S222J
R 661	(B,152,46)	RS1/16S222J	R 817	(B,118,14)	RS1/16S222J
R 662	(A,150,56)	RS1/16S102J	R 818	(A,115,24)	RS1/16S222J
R 664	(B,152,50)	RS1/16S473J	R 819	(A,117,24)	RS1/16S104J
R 665	(A,153,58)	RS1/16S183J	R 820	(B,104,18)	RS1/16S223J
R 671	(B,10,137)	RS1/16S102J	R 821	(B,107,9)	RS1/16S473J
R 672	(B,12,137)	RS1/16S102J	R 831	(B,67,12)	RS1/16S472J
R 681	(B,147,47)	RS1/16S102J	R 832	(B,69,24)	RS1/16S821J
R 701	(B,93,40)	RS1/16S682J	R 833	(B,77,20)	RS1/16S222J
R 702	(B,93,44)	RS1/16S682J	R 841	(A,36,21)	RS1/16S1R0J
R 703	(A,95,44)	RS1/16S682J	R 842	(A,35,30)	RS1/4SA271J
R 704	(A,95,47)	RS1/16S682J	R 851	(B,60,24)	RS1/16S1R0J
R 705	(B,93,48)	RS1/16S221J	R 852	(B,56,17)	RS1/4SA391J
R 706	(B,105,46)	RS1/16S221J	R 853	(A,131,31)	RS1/16S562J
R 707	(B,93,46)	RS1/16S221J	R 854	(A,129,34)	RS1/16S103J
R 708	(B,105,44)	RS1/16S221J	R 855	(A,87,13)	RS1/16S151J
R 709	(B,93,42)	RS1/16S221J	R 901	(B,19,53)	RS1/16S223J
R 710	(B,105,42)	RS1/16S681J	R 902	(A,33,47)	RS1/16S272J
R 711	(B,103,37)	RS1/16S473J	R 911	(A,19,113)	RS1/16S821J
R 712	(A,114,66)	RS1/16S104J	R 921	(B,14,82)	RS1/16S821J
R 721	(B,21,62)	RS1/4SA391J	R 931	(A,66,113)	RS1/16S104J
R 751	(B,132,36)	RS1/16S393J	R 932	(A,72,115)	RS1/16S103J
R 752	(B,127,48)	RS1/16S104J	R 933	(B,67,118)	RS1/16S473J
R 753	(B,132,38)	RS1/16S472J	R 934	(B,65,118)	RS1/16S473J
R 754	(B,132,34)	RS1/16S471J	R 935	(B,69,118)	RS1/16S472J
R 755	(B,131,45)	RS1/16S273J	R 941	(A,79,115)	RS1/16S103J
R 757	(B,118,28)	RS1/16S104J	R 951	(A,89,116)	RS1/16S102J

Circuit Symbol and No.**Part No.****Circuit Symbol and No.****Part No.**

R 952 (A,86,118)
R 953 (A,90,121)
R 954 (A,87,121)

RS1/16S472J
RS1/16S472J
RS1/16S153J

C 233 (A,90,89)
C 240 (B,79,93)
C 241 (B,66,93)
C 242 (B,83,92)
C 243 (B,63,68)

CEVW100M10
CCSRCH220J50
CCSRCH220J50
CKSRYB104K16
CKSRYB332K50

R 971 (A,49,116)
R 972 (B,62,117)
R 981 (B,76,109)
R 982 (B,79,108)
R 983 (B,72,115)

RS1/16S391J
RS1/16S1R0J
RS1/16S102J
RS1/16S153J
RS1/16S102J

C 244 (A,70,76)
C 245 (A,70,71)
C 246 (B,55,67)
C 247 (B,68,83)
C 250 (A,71,66)

CKSYB106K6R3
CKSYB106K6R3
CKSRYB332K50
CKSYB106K6R3
CKSYB106K6R3

CAPACITORS

C 101 (B,31,131)
C 102 (B,32,141)
C 103 (B,36,141)
C 121 (A,111,103)
C 122 (A,111,101)

CKSRYB104K16
CKSRYB102K50
CKSRYB102K50
CKSQYB225K10
CKSQYB225K10

C 251 (A,71,60)
C 252 (B,75,45)
C 261 (A,53,65)
C 262 (A,95,63)
C 272 (A,78,66)

CKSYB106K6R3
CKSRYB104K16
CKSRYB104K16
CKSRYB104K16
CCSRCH560J50

C 123 (A,111,105)
C 124 (A,111,99)
C 125 (A,117,103)
C 126 (A,117,101)
C 127 (A,117,99)

CKSQYB225K10
CKSQYB225K10
CKSRYB105K10
CKSRYB105K10
CKSRYB104K16

C 273 (A,82,67)
C 281 (A,95,88)
C 282 (A,95,96)
C 283 (A,98,91)
C 284 (A,98,93)

CKSRYB103K50
CCSRCH681J50
CCSRCH681J50
CCSRCH331J50
CCSRCH331J50

C 128 (A,117,98)
C 129 (A,117,91)
C 130 (A,123,91)
C 131 (A,114,95)
C 132 (A,111,110)

CKSRYB104K16
CEJQ4R7M35
CEJQ4R7M35
CKSQYB225K10
CKSYB475K10

C 285 (B,93,86)
C 286 (B,101,95)
C 287 (B,92,97)
C 291 (A,95,67)
C 292 (A,95,74)

CKSRYB105K10
CKSRYB105K10
CKSRYB104K16
CCSRCH681J50
CCSRCH681J50

C 133 (A,111,108)
C 134 (A,124,110)
C 135 (A,127,110)
C 136 (A,119,114)
C 137 (A,126,114)

CKSYB475K10
CKSRYB105K10
CKSRYB105K10
CEJQ470M10
CEJQ470M10

C 293 (A,98,70)
C 294 (A,98,71)
C 295 (B,93,65)
C 296 (B,101,71)
C 297 (B,87,73)

CCSRCH331J50
CCSRCH331J50
CKSRYB105K10
CKSRYB105K10
CKSRYB104K16

C 139 (B,116,108)
C 151 (B,126,110)
C 201 (B,51,78)
C 202 (B,53,79)
C 203 (B,53,73)

CKSRYB105K10
CKSRYB105K10
CKSRYB104K16
CKSRYB682K50
CKSRYB104K16

C 301 (A,95,77)
C 302 (A,95,85)
C 303 (A,98,80)
C 304 (A,98,82)
C 305 (B,93,76)

CCSRCH681J50
CCSRCH681J50
CCSRCH331J50
CCSRCH331J50
CKSRYB105K10

C 204 (B,51,71)
C 205 (A,48,80)
C 206 (A,48,74)
C 207 (A,48,69)
C 208 (B,56,81)

CKSRYB104K16
CEJQ100M16
CEJQ100M16
CEJQ100M16
CKSRYB104K16

C 306 (B,101,83)
C 307 (B,86,84)
C 321 (A,151,119)
C 322 (A,144,119)
C 323 (A,138,119)

CKSRYB105K10
CKSRYB104K16
CEJQNP100M10
CEJQNP100M10
CEJQNP100M10

C 209 (B,54,84)
C 210 (B,59,73)
C 211 (B,59,84)
C 212 (B,61,76)
C 213 (B,61,72)

CCSRCH8R0D50
CKSRYB104K16
CCSRCH8R0D50
CKSRYB104K16
CKSRYB104K16

C 324 (A,131,119)
C 325 (A,127,124)
C 326 (A,128,130)
C 327 (A,151,131)
C 328 (A,146,112)

CEJQNP100M10
CEJQNP100M10
CEJQNP100M10
CKSRYB102K50
CEJQ220M16

C 214 (B,60,79)
C 215 (B,62,76)
C 216 (B,66,64)
C 217 (B,47,85)
C 220 (B,62,91)

CCSRCH680J50
CKSRYB104K16
CCSRCH680J50
CKSYB106K6R3
CKSRYB103K50

C 351 (B,126,120)
C 352 (B,121,121)
C 353 (B,124,120)
C 354 (B,119,121)
C 355 (A,114,119)

CKSQYB474K16
CKSQYB474K16
CKSQYB474K16
CKSQYB474K16
CEJQ330M10

C 221 (B,78,83)
C 224 (A,79,74)
C 225 (A,80,80)
C 226 (A,84,74)
C 227 (A,82,80)

CCSRCH101J50
CEVW100M10
CKSRYB104K16
CSZS100M16
CKSRYB104K16

C 357 (A,83,122) 3 300 μ F/16 V
C 358 (B,93,137)
C 359 (A,121,127)
C 360 (A,121,132)
C 361 (A,123,132)

CCH1486
CKSRYB104K25
CEHAR100M16
CKSQYB225K10
CKSQYB225K10

C 228 (A,90,84)
C 229 (A,90,78)
C 230 (A,90,73)
C 231 (A,90,67)
C 232 (A,90,95)

CEVW100M10
CEVW100M10
CEVW100M10
CEVW100M10
CEVW100M10

C 363 (B,119,137)
C 364 (B,118,132)
C 365 (B,119,135)
C 366 (B,118,130)
C 371 (B,91,109)

CKSRYB474K10
CKSRYB474K10
CKSRYB474K10
CKSRYB474K10
CKSRYB104K16

<u>Circuit Symbol and No.</u>		<u>Part No.</u>	<u>Circuit Symbol and No.</u>		<u>Part No.</u>
C 372	(B,97,109)	CKSRYB104K16	C 803	(A,139,34)	CCSRCH101J50
C 373	(B,96,105)	CKSRYB104K16	C 804	(A,149,34)	CCSRCH101J50
C 374	(A,107,113)	CEAL100M16	C 806	(B,153,24)	CKSRYB102K50
C 378	(B,95,111)	CKSRYB105K10	C 807	(A,154,17)	CKSRYB104K16
C 401	(B,170,106)	CKSRYB103K50	C 808	(A,152,21)	CEVW220M16
C 402	(B,153,108)	CKSRYB102K50	C 831	(B,77,18)	CKSRYB104K16
C 403	(A,158,108)	CEJQ470M10	C 832	(A,73,8)	CEVW470M10
C 404	(B,164,107)	CKSYB475K10	C 841	(A,54,9)	CEVW470M16
C 405	(B,171,139)	CKSRYB103K50	C 842	(B,35,34)	CKSRYB104K16
C 406	(A,158,115)	CEJQ101M10	C 843	(B,34,28)	CKSRYB102K50
C 408	(B,158,111)	CKSRYB102K50	C 844	(A,34,26)	CEJQ330M16
C 421	(A,159,93)	CEJQ220M16	C 851	(B,62,12)	CKSRYB473K25
C 422	(B,154,90)	CKSRYB103K50	C 852	(A,90,13)	CKSRYB104K16
C 423	(B,153,80)	CKSYB475K10	C 861	(A,59,94)	CKSRYB105K6R3
C 424	(B,132,94)	CKSRYB103K50	C 862	(A,59,96)	CKSRYB103K50
C 441	(B,39,124)	CKSQYB225K10	C 863	(A,65,95)	CKSRYB104K16
C 442	(B,50,124)	CKSQYB225K10	C 871	(A,41,72)	CKSRYB104K16
C 443	(B,40,120)	CKSQYB225K10	C 873	(A,38,76)	CEVW101M6R3
C 444	(B,47,120)	CKSQYB225K10	C 875	(A,36,82)	CKSRYB105K10
C 445	(A,38,120)	CCSRCH101J50	C 877	(A,46,96)	CEVW101M6R3
C 446	(A,48,119)	CCSRCH101J50	C 878	(A,53,97)	CKSRYB103K50
C 447	(A,42,115)	CKSRYB105K10	C 879	(B,46,95)	CKSYB475K10
C 448	(A,37,112)	CEVW100M10	C 901	(A,24,44) 2 200 μ F/16 V	CCH1405
C 601	(A,126,80)	CKSRYB104K16	C 903	(B,25,59)	CKSRYB472K50
C 602	(A,137,81)	CKSRYB104K16	C 904	(B,25,49)	CKSRYB103K50
C 603	(A,121,80)	CKSRYB104K16	C 905	(A,25,51)	CEJQ470M10
C 605	(B,134,86)	CKSRYB103K50	C 911	(A,30,106)	CEJQ221M10
C 606	(A,132,87)	CEJQ4R7M35	C 912	(B,11,114)	CKSRYB103K50
C 607	(B,148,65)	CCSRCH7R0D50	C 913	(A,11,117)	CEJQ101M10
C 608	(B,148,61)	CCSRCH7R0D50	C 921	(A,29,96) 470 μ F/16 V	CCH1325
C 610	(A,115,62)	CKSRYB104K16	C 922	(B,27,78)	CKSRYB103K50
C 611	(A,135,50)	CKSRYB104K16	C 923	(A,27,74)	CEJQ101M10
C 612	(A,131,51)	CKSRYB104K16	C 932	(B,71,118)	CKSRYB104K16
C 613	(B,131,75)	CCSRCH331J50	C 941	(A,80,111)	CKSQYB105K16
C 662	(B,152,48)	CKSRYB104K16	C 963	(A,74,132)	CKSQYB105K10
C 663	(A,153,56)	CKSRYB105K10	C 964	(B,71,129)	CKSQYB105K16
C 721	(B,27,71)	CKSRYB473K25	C 965	(B,69,129)	CKSQYB105K16
C 722	(B,26,64)	CKSRYB102K50	C 966	(B,70,142)	CKSQYB105K16
C 723	(A,26,62)	CEJQ101M10	C 967	(A,71,132)	CKSQYB105K16
C 743	(A,93,51)	CEJQ101M10	C 968	(A,69,132)	CKSQYB105K16
C 751	(A,136,38)	CEJQ4R7M35	C 969	(A,66,132)	CKSQYB105K16
C 752	(A,136,43)	CEJQ1R0M50	C 971	(B,60,109)	CKSRYB103K50
C 753	(A,136,32)	CEJQ4R7M35	C 972	(B,59,113)	CKSRYB103K50
C 754	(B,109,35)	CKSRYB104K16	C 973	(A,61,113)	CEJQ100M16
C 755	(B,116,28)	CKSRYB102K50	C 981	(B,79,110)	CKSRYB104K16
C 756	(B,118,32)	CCSRCH101J50			
C 758	(B,131,27)	CKSRYB105K10			
C 759	(B,121,50)	CKSRYB104K16			
C 760	(B,120,36)	CKSRYB104K16			
C 761	(B,125,25)	CKSRYB104K16			
C 762	(B,115,42)	CKSRYB472K50			
C 763	(B,117,46)	CKSRYB102K50			
C 764	(B,109,45)	CKSRYB104K16			
C 765	(B,131,31)	CKSRYB471K50			
C 768	(B,135,27)	CKSRYB104K16			
C 769	(B,72,109)	CKSRYB153K50			
C 791	(B,112,68)	CKSRYB103K50			
C 796	(A,41,87)	CKSRYB103K50			
C 801	(B,140,40)	CKSRYB103K50			
C 802	(B,151,29)	CKSRYB102K50			
			IC 101	(B,28,137) IC	HA12241FP
			IC 121	(A,126,101) IC	PM9009A
			IC 201	(A,58,74) IC	AK7732VT
			IC 221	(A,73,83) IC	PCM1606EG
			IC 240	(B,73,93) IC	NJM4558MD
			IC 241	(B,75,50) IC	NJM4558MD
			IC 261	(A,55,61) IC	TC74VHCT08AFTS1
			IC 262	(A,94,59) IC	TC74VHC08FTS1
			IC 271	(A,78,68) IC	TC7SH08FUS1

A

Unit Number : CWN1439(DEH-P8850MP/XN/ES)
Unit Name : Tuner Amp Unit

MISCELLANEOUS

IC 101	(B,28,137) IC	HA12241FP
IC 121	(A,126,101) IC	PM9009A
IC 201	(A,58,74) IC	AK7732VT
IC 221	(A,73,83) IC	PCM1606EG
IC 240	(B,73,93) IC	NJM4558MD
IC 241	(B,75,50) IC	NJM4558MD
IC 261	(A,55,61) IC	TC74VHCT08AFTS1
IC 262	(A,94,59) IC	TC74VHC08FTS1
IC 271	(A,78,68) IC	TC7SH08FUS1

	<u>Circuit Symbol and No.</u>	<u>Part No.</u>	<u>Circuit Symbol and No.</u>	<u>Part No.</u>
	IC 281 (B,93,93) IC	NJM4558MD	D 134 (B,121,107) Diode	RB521S-30
A	IC 282 (B,93,71) IC	NJM4558MD	D 181 (A,104,124) Diode	HZU3R9(B1)
	IC 283 (B,93,82) IC	NJM4558MD	D 281 (A,104,70) Diode	DAN202U
	IC 351 (A,100,136) IC	PAL007B	D 321 (A,135,114) Diode	1SS133
	IC 371 (A,96,107) IC	PM8003A	D 351 (A,114,127) Diode	MPG06G-6415G50
	IC 421 (B,157,85) IC	NJM2885DL1-33	D 352 (A,114,124) Diode	MPG06G-6415G50
	IC 441 (A,43,119) IC	NJM4558MD	D 391 (A,41,66) Diode	DAN202U
	IC 601 (A,130,64) IC	PEG175A	D 392 (A,41,69) Diode	HZU9L(A2)
	IC 661 (A,152,63) IC	S-80835CNUA-B8U	D 421 (A,158,81) Diode	1SR154-400
	IC 751 (B,110,31) IC	NJM4558MD	D 422 (A,158,85) Diode	1SR154-400
	IC 752 (B,124,44) IC	NJM4151M	D 423 (A,158,88) Diode	1SR154-400
	IC 753 (B,125,31) IC	NJM4558MD	D 431 (A,30,122) Diode	RSB6R8S
	IC 754 (B,110,48) IC	TC7S14FU	D 441 (B,36,115) Diode	RSB6R8S
B	IC 801 (A,144,37) IC	BA6288FS	D 442 (B,47,118) Diode	RSB6R8S
	IC 861 (A,62,95) IC	NJM2872F05	D 601 (B,118,58) Diode	DAN202U
	IC 871 (B,55,96) IC	NJM2885DL1-33	D 721 (A,27,69) Diode	HZS9L(A2)
	Q 101 (A,19,118) Transistor	UMF23N	D 751 (B,132,48) Diode Network	DA204U
	Q 181 (A,102,117) Transistor	2SC3052-12	D 752 (B,123,36) Diode Network	DA204U
	Q 182 (A,106,127) Transistor	UMD3N	D 791 (B,108,70) Diode	HZU6L(B1)
	Q 183 (B,112,90) Transistor	2SC4081	D 794 (A,39,87) Diode	HZU9L(B2)
	Q 281 (A,101,92) Transistor	UMH3N	D 801 (A,145,27) Diode	1SS133
	Q 282 (A,104,63) Transistor	UMD3N	D 802 (A,145,31) Diode	1SS133
	Q 291 (A,101,70) Transistor	UMH3N	D 803 (A,147,20) Diode	HZU7L(B2)
	Q 301 (A,101,81) Transistor	UMH3N	D 811 (B,112,10) Diode	DAN202U
C	Q 321 (A,152,128) Transistor	IMH23	D 812 (B,121,10) Diode	DAP202U
	Q 322 (A,145,124) Transistor	IMH23	D 813 (A,109,24) Diode	DAN202U
	Q 323 (A,136,124) Transistor	IMH23	D 814 (A,104,24) Diode	DAP202U
	Q 324 (A,142,111) Transistor	UMD3N	D 815 (B,103,12) Diode	DAN202U
	Q 351 (A,122,121) Transistor	DTC124EUA	D 816 (B,103,16) Diode	DAP202U
	Q 391 (A,36,55) Transistor	2SC4081	D 817 (B,103,25) Diode	DAN202U
	Q 601 (B,112,61) Transistor	UMD3N	D 818 (B,103,21) Diode	DAP202U
	Q 661 (B,152,53) Transistor	2SC4081	D 841 (A,33,36) Diode	HZS9L(C2)
	Q 721 (A,15,71) Transistor	2SD2396	D 851 (A,64,10) Diode	HZS11L(A1)
	Q 722 (A,34,69) Transistor	UMD3N	D 853 (A,90,10) LED	SML412BC5T(MN)
	Q 793 (B,108,66) Transistor	2SC4081	D 901 (A,33,56) Diode	MPG06G-6415G50
D	Q 794 (A,37,93) Transistor	2SC4081	D 902 (A,26,56) Diode	HZS6L(B1)
	Q 795 (A,37,87) Transistor	UMD3N	D 911 (A,11,112) Diode	HZS9L(B2)
	Q 801 (B,148,19) Transistor	2SD1760F5	D 921 (A,27,80) Diode	HZS9L(B2)
	Q 812 (A,150,15) Transistor	UMD3N	D 931 (A,70,114) Diode	HZU7L(A1)
	Q 831 (A,65,14) Transistor	2SB710A	D 932 (A,66,115) Diode	HZU7L(C3)
	Q 832 (B,74,24) Transistor	DTC114EU	D 941 (A,76,112) Diode	1SR154-400
	Q 841 (A,31,16) Transistor	2SD1760F5	D 951 (A,89,124) Diode	DAN202U
	Q 842 (A,35,33) Transistor	UMD3N	D 971 (A,54,111) Diode	HZS11L(B2)
	Q 851 (B,61,21) Transistor	2SD1767	D 981 (B,85,106) Diode Network	DA204U
	Q 852 (A,63,6) Transistor	UMD3N	D 982 (B,80,114) Diode	HZU7L(C2)
	Q 853 (A,129,31) Transistor	2SC4081	D 991 (A,96,123) Diode	MPG06G-6415G50
E	Q 901 (A,15,54) Transistor	2SD2396	D 992 (A,96,118) Diode	MPG06G-6415G50
	Q 902 (A,31,47) Transistor	UMD3N	ZNR401 (A,158,142) Surge Protector	RCCA-201Q31UA-PI
	Q 911 (A,15,100) Transistor	2SD2396	L 101 (B,21,131) Inductor	LC7AW2R2J2520
	Q 912 (A,19,115) Transistor	UMD3N	L 121 (A,114,114) Coil	ATH1176
	Q 921 (A,15,84) Transistor	2SD2396	L 201 (A,53,82) Inductor	CTF1379
	Q 922 (B,21,77) Transistor	UMD3N	L 206 (B,63,80) Inductor	CTF1389
	Q 931 (A,72,113) Transistor	UMX1N	L 208 (A,60,65) Inductor	CTF1389
	Q 941 (A,80,113) Transistor	DTC114EU	L 221 (A,81,82) Inductor	CTF1379
	Q 951 (A,89,118) Transistor	2SA1576	L 241 (B,82,49) Inductor	CTF1389
	Q 971 (A,48,112) Transistor	UMD3N	L 261 (A,53,67) Inductor	CTF1379
F	Q 972 (A,54,114) Transistor	2SD1859	L 262 (A,93,63) Inductor	CTF1379
	D 121 (B,126,112) Diode	RB520S-30	L 271 (A,81,67) Inductor	CTF1389
	D 132 (B,121,109) Diode	1SS355	L 272 (A,81,69) Inductor	CTF1379
	D 133 (B,121,105) Diode	RB521S-30	L 371 (B,94,107) Inductor	CTF1379

<u>Circuit Symbol and No.</u>			<u>Part No.</u>	<u>Circuit Symbol and No.</u>			<u>Part No.</u>
L 401	(A,158,102)	Inductor	LAU1R0K	R 202	(B,49,85)		RS1/16S104J
L 402	(A,151,103)	Ferri-Inductor	LAU100K	R 203	(B,54,76)		RS1/16S153J
L 403	(A,151,111)	Inductor	LAU1R0K	R 204	(B,60,81)		RS1/16S222J
L 404	(B,164,146)	Chip Coil	LCTAW4R7J2520	R 205	(A,56,65)		RS1/16S681J
L 604	(A,136,87)	Ferri-Inductor	LAU100K	R 206	(A,59,84)		RS1/16S101J
L 701	(A,98,24)	Inductor	LCTAW2R2J3225	R 207	(A,58,65)		RS1/16S681J
L 831	(A,73,14)	Ferri-Inductor	LAU100K	R 208	(A,64,83)		RAB4C101J
L 841	(A,54,15)	Inductor	LAU2R2K	R 212	(A,66,73)		RS1/16S101J
L 872	(A,39,82)	Inductor	CTF1617	R 213	(A,66,68)		RS1/16S101J
L 951	(A,84,112)	Inductor	LAU2R2K	R 214	(A,64,68)		RS1/16S101J
X 201	(A,56,88)	Crystal Resonator 16.934 4 MHz	CSS1052	R 221	(B,75,86)		RS1/16S103J
X 371	(A,85,104)	Ceramic Resonator 4.096 MHz	CSS1429	R 222	(B,75,84)		RS1/16S103J
X 601	(A,146,64)	Crystal Resonator 20 MHz	VSS1167	R 240	(B,80,96)		RS1/16S223J
VR121	(A,117,109)	Semi-fixed 15 kΩ(B)	CCP1397	R 241	(B,80,98)		RS1/16S223J
△FU321	(A,133,127)	Fuse 3 A	CEK1286	R 242	(B,81,93)		RS1/16S153J
BZ681	(A,149,47)	Buzzer	CPV1062	R 243	(B,64,93)		RS1/16S153J
	FM/AM Tuner Unit		CWE1952	R 244	(B,69,88)		RS1/16S101J
M972	Fan Motor		CXM1288	R 247	(B,72,67)		RS1/16S101J
				R 248	(B,76,62)		RS1/16S473J
				R 249	(B,74,62)		RS1/16S473J
<u>RESISTORS</u>							
R 101	(B,24,127)		RS1/16S181J	R 261	(B,55,63)		RS1/16S681J
R 102	(B,33,121)		RS1/16S181J	R 262	(B,55,59)		RS1/16S681J
R 103	(B,24,121)		RS1/16S223J	R 263	(A,66,63)		RAB4C123J
R 104	(B,30,119)		RS1/16S223J	R 264	(B,66,60)		RAB4C223J
R 105	(B,26,121)		RS1/16S102J	R 265	(A,101,60)		RS1/16S681J
R 106	(B,28,119)		RS1/16S102J	R 266	(A,88,59)		RS1/16S681J
R 107	(B,36,139)		RS1/16S101J	R 267	(A,88,60)		RS1/16S681J
R 108	(B,36,134)		RS1/16S101J	R 268	(A,100,63)		RS1/16S681J
R 109	(B,36,137)		RS1/16S150J	R 269	(A,99,63)		RS1/16S681J
R 110	(B,36,135)		RS1/16S470J	R 270	(A,97,63)		RS1/16S681J
R 111	(B,36,132)		RS1/16S102J	R 271	(A,75,69)		RS1/16S0R0J
R 112	(A,23,121)		RS1/16S222J	R 273	(A,80,64)		RS1/16S0R0J
R 113	(A,20,121)		RS1/16S332J	R 274	(A,84,69)		RS1/16S0R0J
R 114	(A,17,121)		RS1/16S562J	R 275	(A,88,62)		RS1/16S681J
R 122	(A,137,104)		RS1/16S0R0J	R 276	(A,90,63)		RS1/16S681J
R 123	(A,135,100)		RS1/16S0R0J	R 281	(A,95,91)		RS1/16S473J
R 124	(A,135,111)		RS1/16S0R0J	R 282	(A,95,93)		RS1/16S473J
R 125	(A,135,110)		RS1/16S0R0J	R 283	(A,95,90)		RS1/16S682J
R 126	(A,136,106)		RS1/16S0R0J	R 284	(A,95,94)		RS1/16S682J
R 127	(A,135,104)		RS1/16S0R0J	R 285	(A,98,90)		RS1/16S682J
R 128	(A,136,100)		RS1/16S0R0J	R 286	(A,98,94)		RS1/16S682J
R 129	(A,138,98)		RS1/16S0R0J	R 287	(B,98,86)		RS1/16S102J
R 130	(A,138,96)		RS1/16S0R0J	R 288	(B,100,91)		RS1/16S102J
R 131	(A,138,95)		RS1/16S0R0J	R 289	(B,99,94)		RS1/16S101J
R 134	(A,131,110)		RAB4C102J	R 290	(B,86,91)		RS1/16S101J
R 135	(A,121,110)		RS1/16S103J	R 291	(A,95,70)		RS1/16S473J
R 137	(A,103,91)		RS1/16S0R0J	R 292	(A,95,71)		RS1/16S473J
R 138	(A,113,90)		RS1/16S0R0J	R 293	(A,95,68)		RS1/16S682J
R 181	(A,99,127)		RS1/16S104J	R 294	(A,95,73)		RS1/16S682J
R 182	(B,108,122)		RS1/16S683J	R 295	(A,98,68)		RS1/16S682J
R 183	(A,96,127)		RS1/16S153J	R 296	(A,98,73)		RS1/16S682J
R 184	(B,113,122)		RS1/16S682J	R 297	(B,98,65)		RS1/16S102J
R 185	(A,101,121)		RS1/16S152J	R 298	(B,101,68)		RS1/16S102J
R 186	(A,101,127)		RS1/16S222J	R 299	(B,99,71)		RS1/16S101J
R 187	(A,103,127)		RS1/16S561J	R 300	(B,87,67)		RS1/16S101J
R 188	(A,108,127)		RS1/16S473J	R 301	(A,95,80)		RS1/16S473J
R 189	(B,104,94)		RS1/16S103J	R 302	(A,95,82)		RS1/16S473J
R 190	(B,108,94)		RS1/16S223J	R 303	(A,95,79)		RS1/16S682J
R 191	(B,112,94)		RS1/16S104J	R 304	(A,95,83)		RS1/16S682J
R 201	(B,51,85)		RS1/16S104J	R 305	(A,98,79)		RS1/16S682J

Circuit Symbol and No.**Part No.****Circuit Symbol and No.****Part No.**

A	R 306	(A,98,83)	RS1/16S682J	R 617	(A,140,50)	RAB4C104J
	R 307	(B,97,76)	RS1/16S102J	R 619	(B,143,63)	RS1/16S0R0J
	R 308	(B,100,80)	RS1/16S102J	R 621	(A,116,57)	RAB4C104J
	R 309	(B,99,83)	RS1/16S101J	R 625	(A,117,66)	RS1/16S104J
	R 310	(B,86,79)	RS1/16S101J	R 627	(A,131,79)	RAB4C681J
■	R 321	(B,148,125)	RS1/16S470J	R 628	(A,128,78)	RS1/16S681J
	R 322	(B,146,122)	RS1/16S470J	R 629	(B,124,75)	RS1/16S681J
	R 323	(A,155,128)	RS1/16S223J	R 631	(A,113,61)	RS1/16S104J
	R 324	(A,151,125)	RS1/16S223J	R 632	(A,129,49)	RS1/16S104J
	R 325	(B,142,123)	RS1/16S470J	R 633	(B,133,54)	RS1/16S104J
B	R 326	(B,137,123)	RS1/16S470J	R 639	(A,114,52)	RS1/16S104J
	R 327	(A,148,124)	RS1/16S223J	R 652	(A,146,73)	RS1/16S104J
	R 328	(A,142,124)	RS1/16S223J	R 661	(B,152,46)	RS1/16S222J
	R 329	(B,133,125)	RS1/16S470J	R 662	(A,150,56)	RS1/16S102J
	R 330	(B,133,131)	RS1/16S470J	R 664	(B,152,50)	RS1/16S473J
■	R 331	(A,139,124)	RS1/16S223J	R 665	(A,153,58)	RS1/16S183J
	R 332	(A,131,127)	RS1/16S223J	R 681	(B,147,47)	RS1/16S102J
	R 333	(A,142,115)	RS1/16S102J	R 701	(B,93,40)	RS1/16S682J
	R 351	(B,97,144)	RS1/16S103J	R 702	(B,93,44)	RS1/16S682J
	R 352	(A,122,118)	RS1/16S103J	R 703	(A,95,44)	RS1/16S682J
C	R 353	(A,122,123)	RS1/16S103J	R 704	(A,95,47)	RS1/16S682J
	R 354	(A,119,122)	RS1/16S331J	R 705	(B,93,48)	RS1/16S221J
	R 371	(B,88,105)	RS1/16S0R0J	R 706	(B,105,46)	RS1/16S221J
	R 372	(B,98,107)	RS1/16S473J	R 707	(B,93,46)	RS1/16S221J
	R 373	(B,128,75)	RS1/16S104J	R 708	(B,105,44)	RS1/16S221J
■	R 391	(A,36,51)	RS1/16S103J	R 709	(B,93,42)	RS1/16S221J
	R 392	(A,37,62)	RS1/16S223J	R 710	(B,105,42)	RS1/16S681J
	R 393	(A,36,62)	RS1/16S103J	R 711	(B,103,37)	RS1/16S473J
	R 394	(A,34,62)	RS1/16S473J	R 712	(A,114,66)	RS1/16S104J
	R 405	(B,164,111)	RS1/16S681J	R 721	(B,21,62)	RS1/4SA391J
D	R 406	(B,170,127)	RS1/16S681J	R 751	(B,132,36)	RS1/16S393J
	R 407	(B,170,129)	RS1/16S681J	R 752	(B,127,48)	RS1/16S104J
	R 408	(B,170,131)	RS1/16S681J	R 753	(B,132,38)	RS1/16S472J
	R 409	(B,170,133)	RS1/16S681J	R 754	(B,132,34)	RS1/16S471J
	R 410	(B,171,137)	RS1/16S681J	R 755	(B,131,45)	RS1/16S273J
■	R 435	(A,32,111)	RS1/16S0R0J	R 757	(B,118,28)	RS1/16S104J
	R 436	(A,48,102)	RS1/16S0R0J	R 758	(B,116,32)	RS1/16S222J
	R 441	(B,41,128)	RS1/16S223J	R 759	(B,117,35)	RS1/16S471J
	R 442	(B,48,128)	RS1/16S223J	R 760	(B,117,25)	RS1/16S471J
	R 443	(B,41,124)	RS1/16S103J	R 761	(B,112,36)	RS1/16S473J
■	R 444	(B,48,124)	RS1/16S103J	R 762	(B,109,37)	RS1/16S473J
	R 445	(B,39,128)	RS1/16S103J	R 763	(B,116,49)	RS1/16S103J
	R 446	(B,50,128)	RS1/16S103J	R 764	(B,127,50)	RS1/16S103J
	R 447	(A,37,118)	RS1/16S103J	R 765	(B,109,43)	RS1/16S473J
	R 448	(A,37,116)	RS1/16S103J	R 766	(B,109,41)	RS1/16S473J
E	R 449	(A,36,120)	RS1/16S103J	R 767	(B,118,49)	RS1/16S472J
	R 450	(A,49,119)	RS1/16S103J	R 768	(B,115,44)	RS1/16S103J
	R 451	(A,42,113)	RS1/16S104J	R 769	(B,121,48)	RS1/16S682J
	R 452	(A,45,114)	RS1/16S104J	R 770	(B,133,31)	RS1/16S333J
	R 601	(B,128,84)	RS1/16S104J	R 771	(B,133,27)	RS1/16S332J
■	R 603	(B,128,82)	RS1/16S104J	R 773	(B,114,47)	RS1/16S0R0J
	R 605	(B,128,80)	RS1/16S104J	R 774	(B,125,27)	RS1/16S473J
	R 606	(A,137,78)	RS1/16S102J	R 775	(B,127,35)	RS1/16S473J
	R 607	(B,130,70)	RS1/16S104J	R 776	(B,136,24)	RS1/16S473J
	R 608	(A,123,79)	RS1/16S104J	R 777	(B,137,27)	RS1/16S473J
F	R 609	(A,117,68)	RS1/16S102J	R 791	(B,104,66)	RS1/16S122J
	R 611	(B,138,80)	RS1/16S472J	R 793	(A,37,91)	RS1/16S152J
	R 613	(B,137,82)	RS1/16S472J	R 801	(A,149,39)	RS1/16S102J
	R 615	(B,132,62)	RS1/16S104J	R 802	(A,139,39)	RS1/16S102J
	R 616	(B,133,66)	RS1/16S104J	R 803	(B,146,35)	RS1/16S103J

Circuit Symbol and No.**Part No.****Circuit Symbol and No.****Part No.**

R 804 (B,140,38) RS1/16S563J
 R 806 (B,149,39) RS1/16S102J
 R 807 (A,148,15) RS1/4SA102J
 R 808 (B,149,35) RS1/16S102J
 R 811 (B,107,23) RS1/16S222J

R 812 (B,109,15) RS1/16S222J
 R 813 (B,107,25) RS1/16S222J
 R 814 (B,112,14) RS1/16S222J
 R 815 (A,113,24) RS1/16S222J
 R 816 (B,115,14) RS1/16S222J

R 817 (B,118,14) RS1/16S222J
 R 818 (A,115,24) RS1/16S222J
 R 819 (A,117,24) RS1/16S104J
 R 820 (B,104,18) RS1/16S223J
 R 821 (B,107,9) RS1/16S473J

R 831 (B,67,12) RS1/16S472J
 R 832 (B,69,24) RS1/16S821J
 R 833 (B,77,20) RS1/16S222J
 R 841 (A,36,21) RS1/16S1R0J
 R 842 (A,35,30) RS1/4SA271J

R 851 (B,60,24) RS1/16S1R0J
 R 852 (B,56,17) RS1/4SA391J
 R 853 (A,131,31) RS1/16S562J
 R 854 (A,129,34) RS1/16S103J
 R 855 (A,87,13) RS1/16S151J

R 901 (B,19,53) RS1/16S223J
 R 902 (A,33,47) RS1/16S272J
 R 911 (A,19,113) RS1/16S821J
 R 921 (B,14,82) RS1/16S821J
 R 931 (A,66,113) RS1/16S104J

R 932 (A,72,115) RS1/16S103J
 R 933 (B,67,118) RS1/16S473J
 R 934 (B,65,118) RS1/16S473J
 R 935 (B,69,118) RS1/16S472J
 R 941 (A,79,115) RS1/16S103J

R 951 (A,89,116) RS1/16S102J
 R 952 (A,86,118) RS1/16S472J
 R 953 (A,90,121) RS1/16S472J
 R 954 (A,87,121) RS1/16S153J
 R 971 (A,49,116) RS1/16S391J

R 972 (B,62,117) RS1/16S1R0J
 R 981 (B,76,109) RS1/16S102J
 R 982 (B,79,108) RS1/16S153J
 R 983 (B,72,115) RS1/16S102J

CAPACITORS

C 101 (B,31,131) CKSRYB104K16
 C 102 (B,32,141) CKSRYB102K50
 C 103 (B,36,141) CKSRYB102K50
 C 121 (A,111,103) CKSQYB225K10
 C 122 (A,111,101) CKSQYB225K10

C 123 (A,111,105) CKSQYB225K10
 C 124 (A,111,99) CKSQYB225K10
 C 125 (A,117,103) CKSRYB105K10
 C 126 (A,117,101) CKSRYB105K10
 C 127 (A,117,99) CKSRYB104K16

C 128 (A,117,98) CKSRYB104K16
 C 129 (A,117,91) CEJQ4R7M35
 C 130 (A,123,91) CEJQ4R7M35
 C 131 (A,114,95) CKSQYB225K10

C 132 (A,111,110) CKSYB475K10
 C 133 (A,111,108) CKSRYB475K10
 C 134 (A,124,110) CKSRYB105K10
 C 135 (A,127,110) CKSRYB105K10
 C 136 (A,119,114) CEJQ470M10
 C 137 (A,126,114) CEJQ470M10

C 139 (B,116,108) CKSRYB105K10
 C 151 (B,126,110) CKSRYB105K10
 C 181 (A,98,127) CCSRCH681J50
 C 182 (A,103,121) CKSQYB225K10
 C 183 (A,108,120) CEJQ101M6R3

C 201 (B,51,78) CKSRYB104K16
 C 202 (B,53,79) CKSRYB682K50
 C 203 (B,53,73) CKSRYB104K16
 C 204 (B,51,71) CKSRYB104K16
 C 205 (A,48,80) CEJQ100M16

C 206 (A,48,74) CEJQ100M16
 C 207 (A,48,69) CEJQ100M16
 C 208 (B,56,81) CKSRYB104K16
 C 209 (B,54,84) CCSRCH8R0D50
 C 210 (B,59,73) CKSRYB104K16

C 211 (B,59,84) CCSRCH8R0D50
 C 212 (B,61,76) CKSRYB104K16
 C 213 (B,61,72) CKSRYB104K16
 C 214 (B,60,79) CCSRCH680J50
 C 215 (B,62,76) CKSRYB104K16

C 216 (B,66,64) CCSRCH680J50
 C 217 (B,47,85) CKSYB106K6R3
 C 220 (B,62,91) CKSRYB103K50
 C 221 (B,78,83) CCSRCH101J50
 C 224 (A,79,74) CEVW100M10

C 225 (A,80,80) CKSRYB104K16
 C 226 (A,84,74) CSZS100M16
 C 227 (A,82,80) CKSRYB104K16
 C 228 (A,90,84) CEVW100M10
 C 229 (A,90,78) CEVW100M10

C 230 (A,90,73) CEVW100M10
 C 231 (A,90,67) CEVW100M10
 C 232 (A,90,95) CEVW100M10
 C 233 (A,90,89) CEVW100M10
 C 240 (B,79,93) CCSRCH220J50

C 241 (B,66,93) CCSRCH220J50
 C 242 (B,83,92) CKSRYB104K16
 C 243 (B,63,68) CKSRYB332K50
 C 244 (A,70,76) CKSYB106K6R3
 C 245 (A,70,71) CKSYB106K6R3

C 246 (B,55,67) CKSRYB332K50
 C 247 (B,68,83) CKSYB106K6R3
 C 250 (A,71,66) CKSYB106K6R3
 C 251 (A,71,60) CKSYB106K6R3
 C 252 (B,75,45) CKSRYB104K16

C 261 (A,53,65) CKSRYB104K16
 C 262 (A,95,63) CKSRYB104K16
 C 272 (A,78,66) CCSRCH560J50
 C 273 (A,82,67) CKSRYB103K50
 C 281 (A,95,88) CCSRCH681J50

C 282 (A,95,96) CCSRCH681J50
 C 283 (A,98,91) CCSRCH331J50
 C 284 (A,98,93) CCSRCH331J50
 C 285 (B,93,86) CKSRYB105K10

Circuit Symbol and No.**Part No.****Circuit Symbol and No.****Part No.**

	C 286	(B,101,95)	CKSRYP105K10	C 445	(A,38,120)	CCSRCH101J50
	C 287	(B,92,97)	CKSRYP104K16	C 446	(A,48,119)	CCSRCH101J50
A	C 291	(A,95,67)	CCSRCH681J50	C 447	(A,42,115)	CKSRYP105K10
	C 292	(A,95,74)	CCSRCH681J50	C 448	(A,37,112)	CEVW100M10
	C 293	(A,98,70)	CCSRCH331J50	C 560	(B,43,51)	CKSRYP102K50
	C 294	(A,98,71)	CCSRCH331J50	C 601	(A,126,80)	CKSRYP104K16
	C 295	(B,93,65)	CKSRYP105K10	C 602	(A,137,81)	CKSRYP104K16
	C 296	(B,101,71)	CKSRYP105K10	C 603	(A,121,80)	CKSRYP104K16
	C 297	(B,87,73)	CKSRYP104K16	C 605	(B,134,86)	CKSRYP103K50
	C 301	(A,95,77)	CCSRCH681J50	C 606	(A,132,87)	CEJQ4R7M35
	C 302	(A,95,85)	CCSRCH681J50	C 607	(B,148,65)	CCSRCH7R0D50
	C 303	(A,98,80)	CCSRCH331J50	C 608	(B,148,61)	CCSRCH7R0D50
	C 304	(A,98,82)	CCSRCH331J50	C 610	(A,115,62)	CKSRYP104K16
B	C 305	(B,93,76)	CKSRYP105K10	C 611	(A,135,50)	CKSRYP104K16
	C 306	(B,101,83)	CKSRYP105K10	C 612	(A,131,51)	CKSRYP104K16
	C 307	(B,86,84)	CKSRYP104K16	C 613	(B,131,75)	CCSRCH331J50
	C 321	(A,151,119)	CEJQNP100M10	C 662	(B,152,48)	CKSRYP104K16
	C 322	(A,144,119)	CEJQNP100M10	C 663	(A,153,56)	CKSRYP105K10
	C 323	(A,138,119)	CEJQNP100M10	C 721	(B,27,71)	CKSRYP473K25
	C 324	(A,131,119)	CEJQNP100M10	C 722	(B,26,64)	CKSRYP102K50
	C 325	(A,127,124)	CEJQNP100M10	C 723	(A,26,62)	CEJQ101M10
	C 326	(A,128,130)	CEJQNP100M10	C 743	(A,93,51)	CEJQ101M10
	C 327	(A,151,131)	CKSRYP102K50	C 751	(A,136,38)	CEJQ4R7M35
	C 328	(A,146,112)	CEJQ220M16	C 752	(A,136,43)	CEJQ1R0M50
C	C 351	(B,126,120)	CKSQYB474K16	C 753	(A,136,32)	CEJQ4R7M35
	C 352	(B,121,121)	CKSQYB474K16	C 754	(B,109,35)	CKSRYP104K16
	C 353	(B,124,120)	CKSQYB474K16	C 755	(B,116,28)	CKSRYP102K50
	C 354	(B,119,121)	CKSQYB474K16	C 756	(B,118,32)	CCSRCH101J50
	C 355	(A,114,119)	CEJQ330M10	C 758	(B,131,27)	CKSRYP105K10
	C 357	(A,83,122) 3 300 μ F/16 V	CCH1486	C 759	(B,121,50)	CKSRYP104K16
	C 358	(B,93,137)	CKSRYP104K25	C 760	(B,120,36)	CKSRYP104K16
	C 359	(A,121,127)	CEHAR100M16	C 761	(B,125,25)	CKSRYP104K16
	C 360	(A,121,132)	CKSQYB225K10	C 762	(B,115,42)	CKSRYP472K50
	C 361	(A,123,132)	CKSQYB225K10	C 763	(B,117,46)	CKSRYP102K50
	C 363	(B,119,137)	CKSRYP474K10	C 764	(B,109,45)	CKSRYP104K16
D	C 364	(B,118,132)	CKSRYP474K10	C 765	(B,131,31)	CKSRYP471K50
	C 365	(B,119,135)	CKSRYP474K10	C 768	(B,135,27)	CKSRYP104K16
	C 366	(B,118,130)	CKSRYP474K10	C 769	(B,72,109)	CKSRYP153K50
	C 371	(B,91,109)	CKSRYP104K16	C 791	(B,112,68)	CKSRYP103K50
	C 372	(B,97,109)	CKSRYP104K16	C 796	(A,41,87)	CKSRYP103K50
	C 373	(B,96,105)	CKSRYP104K16	C 801	(B,140,40)	CKSRYP103K50
	C 374	(A,107,113)	CEAL100M16	C 802	(B,151,29)	CKSRYP102K50
	C 378	(B,95,111)	CKSRYP105K10	C 803	(A,139,34)	CCSRCH101J50
	C 401	(B,170,106)	CKSRYP103K50	C 804	(A,149,34)	CCSRCH101J50
	C 402	(B,153,108)	CKSRYP102K50	C 806	(B,153,24)	CKSRYP102K50
	C 403	(A,158,108)	CEJQ470M10	C 807	(A,154,17)	CKSRYP104K16
E	C 404	(B,164,107)	CKSYB475K10	C 808	(A,152,21)	CEVW220M16
	C 405	(B,171,139)	CKSRYP103K50	C 831	(B,77,18)	CKSRYP104K16
	C 406	(A,158,115)	CEJQ101M10	C 832	(A,73,8)	CEVW470M10
	C 408	(B,158,111)	CKSRYP102K50	C 841	(A,54,9)	CEVW470M16
	C 421	(A,159,93)	CEJQ220M16	C 842	(B,35,34)	CKSRYP104K16
	C 422	(B,154,90)	CKSRYP103K50	C 843	(B,34,28)	CKSRYP102K50
	C 423	(B,153,80)	CKSYB475K10	C 844	(A,34,26)	CEJQ330M16
	C 424	(B,132,94)	CKSRYP103K50	C 851	(B,62,12)	CKSRYP473K25
	C 432	(A,30,114)	CKSQYB105K16	C 852	(A,90,13)	CKSRYP104K16
	C 433	(A,33,115)	CKSQYB105K16	C 861	(A,59,94)	CKSRYP105K6R3
F	C 441	(B,39,124)	CKSQYB225K10	C 862	(A,59,96)	CKSRYP103K50
	C 442	(B,50,124)	CKSQYB225K10	C 863	(A,65,95)	CKSRYP104K16
	C 443	(B,40,120)	CKSQYB225K10	C 871	(A,41,72)	CKSRYP104K16
	C 444	(B,47,120)	CKSQYB225K10	C 873	(A,38,76)	CEVW101M6R3

5		6		7		8	
<u>Circuit Symbol and No.</u>		<u>Part No.</u>		<u>Circuit Symbol and No.</u>		<u>Part No.</u>	
C 875	(A,36,82)	CKSRYB105K10		D 1741	(A,8,9) LED	SML412BC5T(MN)	
C 877	(A,46,96)	CEVW101M6R3		D 1751	(B,39,15) Diode	HZU7R5(B2)	
C 878	(A,53,97)	CKSRYB103K50		D 1752	(B,64,16) Diode	DAP202U	
C 879	(B,46,95)	CKSYB475K10		D 1753	(B,64,20) Diode	DAN202U	
C 901	(A,24,44) 2 200 µF/16 V	CCH1405		D 1759	(B,35,15) Diode	HZU7R5(B2)	
C 903	(B,25,59)	CKSRYB472K50		D 1761	(A,102,35) Diode	1SS355	
C 904	(B,25,49)	CKSRYB103K50		L 1701	(B,119,18) Inductor	CTF1379	
C 905	(A,25,51)	CEJQ470M10		L 1702	(B,123,19) Inductor	CTF1379	
C 911	(A,30,106)	CEJQ221M10		L 1703	(B,142,22) Inductor	CTF1617	
C 912	(B,11,114)	CKSRYB103K50		L 1762	(B,143,14) Inductor	CTF1617	
C 913	(A,11,117)	CEJQ101M10		L 1861	(B,158,18) Inductor	CTF1617	
C 921	(A,29,96) 470 µF/16 V	CCH1325		L 1862	(A,111,13) Inductor	LCTC1R0K2125	
C 922	(B,27,78)	CKSRYB103K50		L 1863	(A,124,5) Inductor	LCTC1R0K2125	
C 923	(A,27,74)	CEJQ101M10		L 1931	(B,121,9) Inductor	CTF1617	
C 932	(B,71,118)	CKSRYB104K16		L 1932	(B,121,14) Chip Ferrite Bead	CTF1399	
C 941	(A,80,111)	CKSQYB105K16		L 1933	(B,148,14) Coil	ATH1167	
C 963	(A,74,132)	CKSQYB105K10		X 1761	(A,108,25) Resonator 8.0 MHz	CSS1675	
C 964	(B,71,129)	CKSQYB105K16		S 1701	(A,161,5) Push Switch	CSG1155	
C 965	(B,69,129)	CKSQYB105K16		S 1731	(A,6,26) Push Switch	CSG1155	
C 966	(B,70,142)	CKSQYB105K16		S 1732	(A,34,37) Push Switch	CSG1155	
C 967	(A,71,132)	CKSQYB105K16		S 1733	(A,49,22) Switch(MULTI-CONTROL)	CSX1065	
C 968	(A,69,132)	CKSQYB105K16		S 1734	(A,34,7) Push Switch	CSG1155	
C 969	(A,66,132)	CKSQYB105K16		S 1735	(A,64,37) Push Switch	CSG1155	
C 971	(B,60,109)	CKSRYB103K50		S 1736	(A,64,7) Push Switch	CSG1155	
C 972	(B,59,113)	CKSRYB103K50		S 1737	(A,15,26) Push Switch	CSG1155	
C 973	(A,61,113)	CEJQ100M16		S 1738	(A,5,9) Push Switch	CSG1155	
C 981	(B,79,110)	CKSRYB104K16		S 1739	(A,24,26) Push Switch	CSG1155	
					OEL Module	MXK8230	

B

Unit Number :

Unit Name : Keyboard Unit

MISCELLANEOUS

IC 1702	(B,144,29) IC	NJM2870F18	
IC 1703	(B,129,13) IC	S-818A33AUC-BGN	
IC 1761	(A,95,33) IC	TC7WT125FU	
IC 1762	(A,128,36) IC	TC7WH34FU	
IC 1763	(B,96,25) IC	PEG182A	
IC 1764	(A,120,30) IC	TC7WH32FU	
IC 1801	(A,14,34) IC	GP1UX51RK	
IC 1831	(A,155,26) IC	PD8161A	
	(DEH-P780MP/XN/UC, DEH-P8850MP/XN/ES)		
IC 1831	(A,155,26) IC	PD8162A	
	(DEH-P7800MP/XN/UC)		
IC 1832	(A,139,20) IC	PD6544A	
IC 1833	(A,96,18) IC	M5M5V216ATP-70HI	
IC 1861	(A,122,18) IC	S1D13702F00A100	
D 1701	(A,120,36) Diode	DAP202U	
D 1702	(A,118,36) Diode	DAN202U	
D 1703	(A,113,36) Diode	DAP202U	
D 1704	(A,110,36) Diode	DAN202U	
D 1732	(A,63,22) LED	SML412BC5T(MN)	
D 1733	(A,49,37) LED	SML412BC5T(MN)	
D 1734	(A,34,22) LED	SML412BC5T(MN)	
D 1735	(A,49,8) LED	SML412BC5T(MN)	
D 1736	(A,66,32) LED	SML412BC5T(MN)	
D 1737	(A,66,12) LED	SML412BC5T(MN)	
D 1738	(A,32,32) LED	SML412BC5T(MN)	
D 1739	(A,32,12) LED	SML412BC5T(MN)	
D 1740	(A,15,22) LED	SML412BC5T(MN)	

RESISTORS

R 1703	(B,117,17)	RS1/16S103J
R 1704	(A,122,35)	RS1/16S222J
R 1705	(A,124,36)	RS1/16S222J
R 1706	(A,156,5)	RS1/16S333J
R 1707	(A,113,33)	RS1/16S222J
R 1708	(A,109,30)	RS1/16S222J
R 1709	(A,115,36)	RS1/16S103J
R 1733	(B,62,32)	RS1/16S102J
R 1734	(B,33,30)	RS1/16S102J
R 1735	(B,40,10)	RS1/16S222J
R 1737	(B,53,25)	RS1/16S332J
R 1738	(B,40,12)	RS1/16S103J
R 1739	(B,64,32)	RS1/16S103J
R 1740	(B,37,30)	RS1/16S822J
R 1741	(B,37,29)	RS1/16S473J
R 1742	(B,50,38)	RS1/16S181J
R 1743	(B,49,7)	RS1/16S181J
R 1744	(B,60,6)	RS1/16S181J
R 1745	(B,33,7)	RS1/16S181J
R 1746	(B,48,38)	RS1/16S151J
R 1747	(B,48,7)	RS1/16S151J
R 1748	(B,58,6)	RS1/16S101J
R 1749	(B,35,7)	RS1/16S181J
R 1750	(B,11,15)	RS1/16S271J
R 1751	(B,10,15)	RS1/16S331J
R 1752	(B,10,9)	RS1/16S561J
R 1753	(B,8,9)	RS1/16S331J
R 1761	(A,98,34)	RS1/16S473J
R 1762	(A,96,30)	RS1/16S473J
R 1763	(A,97,28)	RS1/16S682J

Circuit Symbol and No.**Part No.****Circuit Symbol and No.****Part No.**

	R 1764	(A,101,28)	RS1/16S682J
	R 1765	(A,103,31)	RS1/16S154J
A	R 1766	(A,100,28)	RS1/16S392J
	R 1767	(A,98,28)	RS1/16S392J
	R 1768	(A,105,32)	RS1/16S473J
	R 1769	(B,106,21)	RAB4CQ101J
	R 1770	(B,106,30)	RAB4CQ101J
	R 1771	(A,100,32)	RS1/16S473J
	R 1772	(B,106,27)	RS1/16S101J
	R 1773	(B,105,36)	RS1/16S101J
	R 1775	(B,78,6)	RAB4CQ101J
	R 1776	(B,104,36)	RS1/16S101J
	R 1777	(A,85,36)	RAB4CQ473J
B	R 1778	(A,89,29)	RS1/16S101J
	R 1779	(A,90,34)	RS1/16S473J
	R 1780	(A,90,32)	RS1/16S101J
	R 1781	(B,98,35)	RAB4CQ101J
	R 1782	(B,98,15)	RS1/16S473J
	R 1783	(B,96,15)	RS1/16S473J
	R 1784	(B,94,15)	RS1/16S101J
	R 1785	(A,81,33)	RAB4CQ101J
	R 1786	(B,80,34)	RAB4CQ101J
	R 1787	(B,84,31)	RAB4CQ101J
	R 1789	(B,84,15)	RAB4CQ101J
C	R 1790	(B,79,16)	RS1/16S101J
	R 1791	(B,79,15)	RS1/16S101J
	R 1793	(B,80,30)	RAB4CQ101J
	R 1794	(B,84,27)	RAB4CQ101J
	R 1795	(B,80,25)	RAB4CQ101J
	R 1796	(B,80,20)	RAB4CQ101J
	R 1797	(B,84,18)	RAB4CQ101J
	R 1798	(B,78,9)	RAB4CQ101J
	R 1799	(A,127,32)	RS1/16S0R0J
	R 1804	(B,106,19)	RS1/16S101J
	R 1811	(B,18,29)	RS1/16S101J
D	R 1812	(B,23,33)	RS1/16S103J
	R 1813	(B,21,36)	RS1/16S2R2J
	R 1831	(A,128,6)	RS1/16S473J
	R 1832	(A,131,6)	RS1/16S101J
	R 1833	(A,132,10)	RS1/16S473J
	R 1834	(A,133,32)	RS1/16S473J
	R 1835	(A,153,12)	RS1/16S471J
	R 1836	(A,149,12)	RS1/16S471J
	R 1864	(A,132,16)	RS1/16S473J
	R 1865	(A,131,18)	RS1/16S473J
E	R 1866	(A,131,25)	RS1/16S101J
	R 1869	(A,112,9)	RS1/16S102J
	R 1870	(A,131,21)	RS1/16S102J
	R 1871	(A,127,28)	RS1/16S102J
	R 1872	(A,129,27)	RS1/16S102J
	R 1873	(A,131,19)	RS1/16S102J
	R 1874	(A,108,9)	RS1/16S102J
	R 1931	(B,112,15)	RS1/16S101J
	R 1932	(B,111,15)	RS1/16S101J
	R 1933	(B,108,15)	RS1/16S101J
	R 1934	(B,106,15)	RAB4CQ101J

C	1708	(B,141,29)	CKSRYB474K10
	1709	(B,147,31)	CKSRYB223K50
	1710	(B,135,14)	CSZS4R7M10
	1711	(B,150,29)	CSZS4R7M10
	1732	(A,65,22)	CKSRYB104K16
	1735	(A,33,22)	CKSRYB104K16
	1741	(A,49,39)	CKSRYB104K16
	1744	(A,49,6)	CKSRYB104K16
	1746	(A,15,19)	CKSRYB104K16
	1747	(A,10,9)	CKSRYB104K16
	1748	(B,61,25)	CKSRYB103K50
	1749	(B,33,32)	CKSRYB103K50
	1750	(A,66,31)	CKSRYB104K16
	1751	(A,66,14)	CKSRYB104K16
	1752	(A,32,31)	CKSRYB104K16
	1753	(A,32,14)	CKSRYB104K16
	1761	(A,96,36)	CKSRYB104K16
	1762	(A,99,36)	CKSRYB104K16
	1763	(A,100,34)	CKSRYB473K25
	1764	(A,134,37)	CKSRYB104K16
	1765	(B,102,36)	CKSRYB103K50
	1766	(B,139,15)	CKSRYB104K16
	1767	(B,88,17)	CKSRYB104K16
	1768	(B,133,10)	CKSRYB103K50
	1769	(B,138,10)	CSZS4R7M10
	1770	(A,125,33)	CKSRYB104K16
	1801	(B,20,32)	CSZS100M16
	1831	(A,147,25)	CKSRYB104K16
	1832	(A,95,9)	CKSRYB104K16
	1833	(B,160,39)	CKSRYB104K16
	1834	(A,154,14)	CCSRCH100D50
	1835	(B,138,12)	CCSRCH100D50
	1862	(B,158,15)	CKSRYB103K50
	1863	(B,160,8)	CSZS4R7M10
	1864	(A,113,13)	CKSRYB104K16
	1865	(A,131,14)	CKSRYB473K25
	1867	(A,116,26)	CKSRYB104K16
	1868	(A,131,24)	CKSRYB104K16
	1869	(A,128,10)	CKSRYB104K16
	1870	(A,131,12)	CKSRYB104K16
	1871	(A,125,28)	CCSRCH100D50
	1872	(A,129,28)	CCSRCH100D50
	1873	(A,131,22)	CCSRCH100D50
	1874	(A,108,13)	CKSYB106K10
	1932	(B,117,10)	CKSRYB103K50
	1933	(B,116,12)	CKSRYB104K16
	1936	(B,115,14)	CKSRYB104K16
	1937	(B,92,10)	CKSRYB104K16
	1939	(B,153,13)	CKSYB106K10
	1941	(B,130,6)	CKSYB106K10

C**Unit Number : CWX3328****Unit Name : CD Core Unit(COMP1D)****MISCELLANEOUS****CAPACITORS**

C 1707 (B,128,19) CKSRYB474K10

IC 201	(B,39,70)	IC
IC 203	(A,12,16)	IC
IC 301	(A,28,18)	IC

UPD63763CGJ
NJM2886DL3-33
BA5835FP

<u>Circuit Symbol and No.</u>		<u>Part No.</u>
IC 701	(A,32,48) IC	PE5552A
Q 101	(B,60,89) Transistor	2SA1577
Q 701	(B,24,41) Transistor	UN2111
X 701	(A,24,37) Ceramic Resonator 4.000 MHz	CSS1652
S 901	(A,57,57) Switch(HOME)	CSN1067
S 903	(B,23,78) Switch(DSCSNS)	CSN1067
S 904	(B,42,87) Switch(12EJ)	CSN1068
S 905	(B,28,88) Switch(8EJ)	CSN1068

RESISTORS

R 101	(B,61,92)	RS1/10SR2R4J
R 102	(B,63,92)	RS1/10SR2R4J
R 103	(B,63,89)	RS1/10SR2R7J
R 104	(A,52,73)	RS1/16SS102J
R 201	(B,44,57)	RS1/16SS102J
R 202	(A,38,62)	RS1/16SS473J
R 203	(A,37,62)	RS1/16SS473J
R 210	(A,33,62)	RS1/16SS0R0J
R 214	(A,46,79)	RS1/16SS472J
R 216	(A,46,81)	RS1/16SS472J
R 221	(A,44,81)	RS1/16SS103J
R 222	(A,45,81)	RS1/16SS103J
R 225	(B,52,78)	RS1/16SS103J
R 226	(B,52,77)	RS1/16SS393J
R 227	(A,44,75)	RS1/16SS562J
R 228	(A,46,72)	RS1/16SS122J
R 229	(A,44,72)	RS1/16SS472J
R 232	(A,46,75)	RS1/16SS122J
R 237	(B,22,64)	RS1/16SS221J
R 238	(B,22,65)	RS1/16SS221J
R 239	(B,22,66)	RS1/16SS221J
R 241	(B,26,63)	RS1/16SS333J
R 243	(B,26,62)	RS1/16SS333J
R 245	(B,26,69)	RS1/16SS333J
R 248	(B,55,74)	RS1/16SS105J
R 307	(A,19,20)	RS1/16SS183J
R 308	(A,17,20)	RS1/16SS183J
R 309	(A,18,18)	RS1/16SS183J
R 310	(A,17,16)	RS1/16SS183J
R 701	(B,26,44)	RS1/16SS221J
R 707	(B,32,45)	RS1/16SS473J
R 709	(A,36,35)	RS1/16SS222J
R 710	(B,41,46)	RS1/16SS102J
R 712	(A,45,57)	RS1/16SS222J
R 713	(B,40,57)	RS1/16SS222J
R 716	(B,29,37)	RS1/16SS472J
R 724	(B,31,36)	RS1/16S473J
R 726	(B,23,47)	RS1/16SS103J
R 727	(B,31,42)	RS1/16SS473J
R 729	(B,20,48)	RS1/16SS223J
R 730	(B,20,46)	RS1/16SS473J
R 740	(A,38,59)	RS1/16SS222J
R 746	(A,13,38)	RS1/16SS104J
R 750	(A,40,66)	RS1/16SS473J
R 751	(B,40,46)	RS1/16SS102J
R 902	(A,20,36)	RS1/16SS221J
R 905	(A,21,36)	RS1/16SS221J
R 906	(B,20,36)	RS1/16SS221J
R 909	(B,16,65)	RS1/16SS0R0J

<u>Circuit Symbol and No.</u>		<u>Part No.</u>
CAPACITORS		
C 103	(B,57,83)	CEVW101M16
C 108	(A,47,66)	CKSSYB104K10
C 201	(B,46,56)	CKSSYB102K50
C 202	(B,47,58)	CKSSYB104K10
C 205	(A,34,63)	CKSSYB104K10
C 208	(B,34,54)	CKSSYB104K10
C 209	(B,31,57)	CKSSYB104K10
C 210	(A,31,66)	CKSRYB105K10
C 216	(B,53,77)	CKSSYB332K50
C 217	(B,52,79)	CKSSYB104K10
C 218	(B,52,76)	CKSSYB473K10
C 219	(B,52,74)	CKSSYB104K10
C 220	(A,46,77)	CKSSYB182K50
C 221	(B,51,74)	CKSSYB104K10
C 222	(A,46,73)	CCSSCH560J50
C 223	(A,44,74)	CCSSCH4R0C50
C 224	(B,52,68)	CKSSYB104K10
C 225	(A,47,67)	CKSSYB103K16
C 226	(A,49,67)	CCSSCH680J50
C 227	(A,48,65)	CCSSCH470J50
C 228	(A,46,62)	CKSSYB103K16
C 232	(A,12,31)	CKSRYB105K10
C 237	(A,31,67)	CKSSYB104K10
C 239	(A,46,74)	CCSSCH220J50
C 246	(A,42,80)	CKSSYB104K10
C 249	(B,25,57)	CKSSYB221K50
C 250	(A,42,81)	CKSRYB102K50
C 251	(A,41,83)	CKSRYB102K50
C 303	(A,18,20)	CKSSYB472K25
C 304	(A,17,17)	CKSSYB103K16
C 307	(A,34,15)	CKSSYB104K10
C 308	(A,17,30)	CKSRYB105K10
C 701	(B,25,47)	CKSSYB104K10
C 703	(B,28,42)	CKSSYB103K16
C 706	(B,34,43)	CKSSYB104K10
C 707	(A,36,57)	CKSSYB104K10
C 714	(A,24,41)	CKSSYB104K10
C 722	(B,29,45)	CKSQYB475K6R3
C 903	(B,14,54)	CKSSYB471K50

D

Unit Number : CWS1389

Unit Name : Switch Unit

S 1	Switch(CLOSE)	CSN1051
S 2	Switch(OPEN)	CSN1052

Miscellaneous Parts List

M 1	Pickup Unit(P10.5)(Service)	CXX1942
M 2	Motor Unit(SPINDLE)	CXC6742
M 801	Motor Unit(LOADING/CARRIAGE)	CXC4026
	Motor Unit(FLAP)	XXA7400