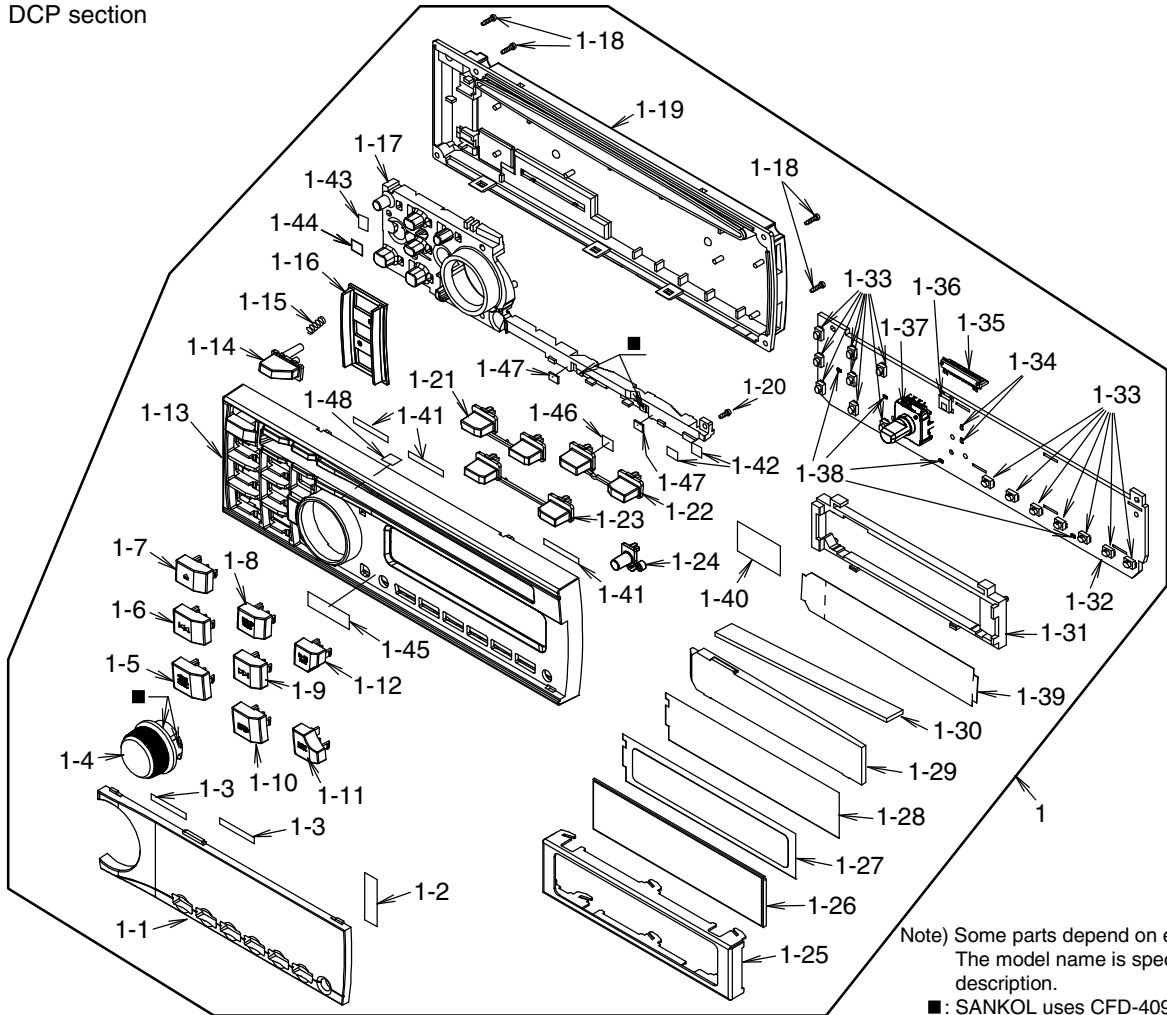


EXPLODED VIEW / PARTS LIST

DCP section

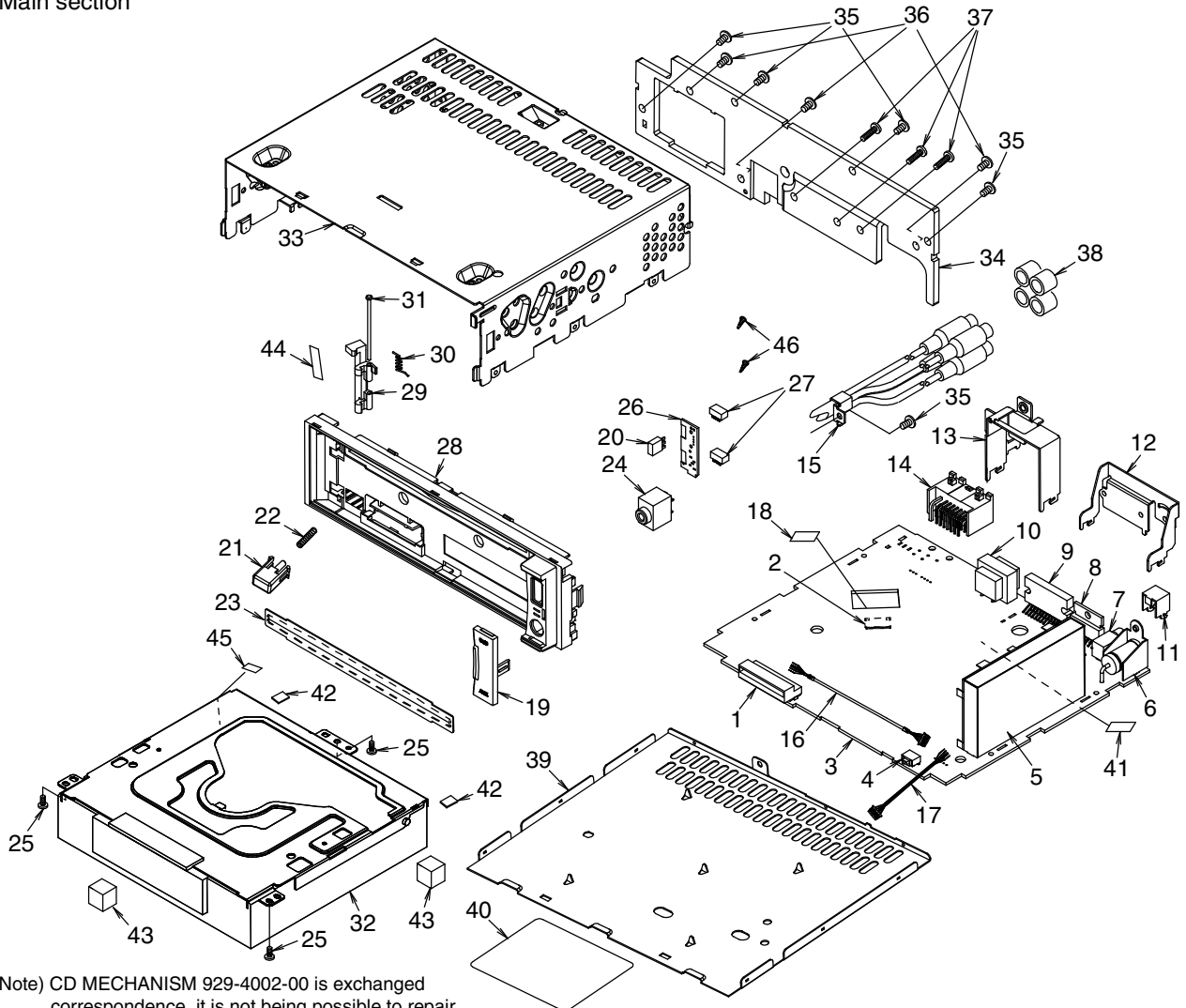


Note) Some parts depend on each model.
The model name is specified in the description.
■: SANKOL uses CFD-409Z.

NO.	PART NO.	DESCRIPTION	Q'TY	NO.	PART NO.	DESCRIPTION	Q'TY
1	DCP-614-600	DCP-ASSY(PE-3047B-A)	1	1-24	382-8584-00	BUTTON	1
	DCP-627-800	DCP-ASSY(PE-3047K-A/B)	1	1-25	331-4527-00	LCD COVER	1
1-1	373-1162-03	DIAL COVER(PE-3047B-A)	1	1-26	379-1401-41	INDICATOR(LCD)	1
	373-1162-05	DIAL COVER(PE-3047K-A/B)	1	1-27	347-8410-00	BLACK FILM	1
1-2	347-7999-00	DOUBLE FACE	1	1-28	347-8411-00	SHADE FILM	1
1-3	347-8265-00	DOUBLE FACE	2	1-29	335-8227-00	LCD ILLUMI	1
1-4	380-5717-00	KNOB	1	1-30	345-6177-00	RUBBER PART	1
1-5	382-8583-00	BUTTON	1	1-31	335-8228-00	LCD HOLDER	1
1-6	382-8586-00	BUTTON	1	1-32	-----	SWITCH PWB	1
1-7	382-8579-00	BUTTON	1	1-33	013-6312-50	TACT SWITCH	15
1-8	382-8580-00	BUTTON	1	1-34	001-7114-90	DIODE	2
1-9	382-8585-00	BUTTON	1	1-35	076-0615-50	PLUG	1
1-10	382-8581-00	BUTTON	1	1-36	060-4017-90	IR RECIVER	1
1-11	382-8582-01	BUTTON	1	1-37	016-9901-02	VR W/SHAFT	1
1-12	382-8578-00	BUTTON	1	1-38	001-7105-90	DIODE	4
1-13	370-6321-00	ESCUTCHEON	1	1-39	347-8412-00	REFLECTOR	1
1-14	382-8587-00	BUTTON	1	1-40	347-8413-00	FILM	1
1-15	750-6858-00	RELEASE SPRING	1	1-41	347-8414-00	FILM	3
1-16	335-8224-01	BAR ILLUMI	1	1-42	347-8481-00	FILM	2
1-17	335-8226-00	ILLUMI PLATE	1	1-43	347-8421-00	SHADE	1
1-18	716-0872-62	SCREW(M1.7x8)	4	1-44	347-8426-00	FILM	1
1-19	335-8225-00	REAR COVER	1	1-45	347-8429-00	FILM	1
1-20	716-1764-50	PAD SCREW(M1.7x5)	1	1-46	347-8431-00	FILM	1
1-21	382-8588-00	BUTTON	1	1-47	345-6224-00	CUSHION	2
1-22	382-8617-00	BUTTON	1	1-48	347-8518-00	FILM	1
1-23	382-8589-00	BUTTON	1				

DB285USB/DB286USB

Main section



Note) CD MECHANISM 929-4002-00 is exchanged correspondence, it is not being possible to repair.

NO.	PART NO.	DESCRIPTION	Q'TY	NO.	PART NO.	DESCRIPTION	Q'TY
1	074-1217-50	OUTLET SOCKET(12P)	1	25	731-2606-8B	TAPTIGHT(M2.6x6)	3
2	074-1048-67	OUTLET SOCKET(17P)	1	26	-----	USB JACK PWB	1
3	-----	MAIN PWB	1	27	076-0502-55	PLUG(5P)	2
4	013-6100-00	TACT SWITCH	1	28	370-6318-02	INNER-ES	1
5	941-0227-00	TUNER PACK	1	29	335-5915-01	HOOK	1
6	092-4000-51	ANT-RECEPT	1	30	750-3219-00	SPRING	1
7	075-0393-50	JACK	1	31	341-1627-00	SHAFT	1
8	051-3349-00	IC	1	32	929-4002-00	CD MECHANISM	1
9	051-2060-00	IC	1	33	310-1871-00	UPPER CASE	1
10	009-9006-60	CHOKE	1	34	313-2006-02	HEAT SINK	1
	009-9006-70	CHOKE	1	35	731-3008-89	TAPTIGHT(M3x8)	5
11	331-4533-00	JACK HOLDER	1	36	714-3006-85	MACHINE SCREW(M3x6)	3
12	331-3935-02	IC HOLDER	1	37	714-2610-85	MACHINE SCREW(M2.6x10)	3
13	331-3561-03	CONNECTOR HOLDER	1	38	345-3799-20	RUBBER PART	4
14	074-1214-50	OUTLET SOCKET(16P)	1	39	311-1859-05	LOWER CASE	1
15	855-5563-50	RCA PIN CORD	1	40	276-0367-00	SETPLATE(PE-3047B-A)	1
16	854-4620-50	USB LEAD	1		276-0392-00	SETPLATE(PE-3047K-A)	1
17	854-4623-50	AUX LEAD	1		276-0393-00	SETPLATE(PE-3047K-B)	1
18	347-8489-00	FILM	1	41	347-8427-00	FILM	1
19	335-8257-00	USB COVER	1	42	345-6195-00	CUSHION	2
20	074-4036-50	OUTLET SOCKET(4P)	1	43	345-6201-00	CUSHION	2
21	382-8567-00	BUTTON	1	44	347-8456-00	FILM	1
22	750-6861-00	SPRING	1	45	347-8490-00	FILM	1
23	346-0194-00	LEATHER SHEET	1	46	716-0872-62	SCREW(M1.7x8)	2
24	075-9021-50	JACK	1				

ELECTRICAL PARTS LIST

Note)1. Several different parts of the same reference number are alternative parts.
One of those parts is used in the set.

Main PWB(B1) section

2. Some parts depend on each model. The model name is specified in the description.

REF No.	PART No.	DESCRIPTION	REF No.	PART No.	DESCRIPTION	REF No.	PART No.	DESCRIPTION
ANT2	092-4000-51	ANT-RECEPT	C421	043-1620-90	4700pF	C812	043-1606-90	1000pF
BL1	941-0227-00	FAE391-AC1	C428	187-1063-35	16V 10uF	C813	043-1804-90	0.1uF
C118	043-1608-90	0.1uF	C435	178-4742-78	0.47uF	C814	043-1607-90	0.01uF
C119	043-1608-90	0.1uF	C442	187-1053-65	50V 1uF	C815	187-1073-15	6.3V 100uF
C120	187-1073-15	6.3V 100uF	C445	172-1041-15	0.1uF	C816	168-1052-78	50V 1uF
C121	043-1608-90	0.1uF	C447	043-1614-90	470pF	C817	043-1606-90	1000pF
C122	187-1073-35	16V 100uF	C449	043-1614-90	470pF	C818	043-1608-90	0.1uF
C123	043-1608-90	0.1uF	C450	043-1614-90	470pF	C819	187-1073-15	6.3V 100uF
C124	187-1073-35	16V 100uF	C451	043-1614-90	470pF	C820	043-1608-90	0.1uF
C125	043-1608-90	0.1uF	C452	043-1614-90	470pF	C821	043-1804-90	0.1uF
C126	043-1608-90	0.1uF	C453	043-1614-90	470pF	C822	043-1802-90	0.01uF
C164	187-1063-35	16V 10uF	C454	043-1614-90	470pF	C824	043-1804-90	0.1uF
C202	043-1727-90	47pF	C455	043-1614-90	470pF	C825	043-1824-90	0.22uF
C203	043-1827-90	0.027uF	C500	187-3363-45	10V 33uF	C826	043-1625-90	0.022uF
C204	043-1827-90	0.027uF	C501	168-1052-78	50V 1uF	C827	043-1608-90	0.1uF
C209	187-1073-25	10V 100uF	C502	043-1608-90	0.1uF	C828	187-1073-15	6.3V 100uF
C210	187-1073-25	10V 100uF	C503	043-1608-90	0.1uF	C829	043-1608-90	0.1uF
C211	043-1804-90	0.1uF	C504	168-1052-78	50V 1uF	C830	043-1804-90	0.1uF
C212	043-1804-90	0.1uF	C505	043-1804-90	0.1uF	C831	187-1073-15	6.3V 100uF
C213	187-1073-25	10V 100uF	C506	043-0540-00	16V 10uF	C833	189-3373-11	6.3V 330uF
C214	043-1804-90	0.1uF	C507	163-1063-35	16V 10uF	C834	189-4773-22	10V 470uF
C217	043-1607-90	0.01uF	C508	043-1710-90	9pF	C835	043-1804-90	0.1uF
C218	043-1601-90	100pF	C509	043-1710-90	9pF	C836	163-4753-55	50V 4.7uF
C222	043-1719-90	22pF	C510	043-1719-90	22pF	C837	163-4753-55	50V 4.7uF
C224	187-1073-25	10V 100uF	C511	043-1719-90	22pF	C838	043-1800-90	1000pF
C227	043-1804-90	0.1uF	C512	043-1607-90	0.01uF	C839	043-1800-90	1000pF
C229	043-1607-90	0.01uF	C513	043-1601-90	100pF	C840	043-1800-90	1000pF
C230	043-1607-90	0.01uF	C514	042-1577-00	6.3V 100uF	C841	043-1800-90	1000pF
C231	187-3353-65	50V 3.3uF	C515	043-1607-90	0.01uF	C842	043-1731-90	68pF
C242	043-1819-90	2200pF	C516	189-1083-12	6.3V 1000uF	C843	043-1731-90	68pF
C250	187-4763-35	16V 47uF	C600	043-1804-90	0.1uF	C844	043-1608-90	0.1uF
C307	187-1053-65	50V 1uF	C601	043-1609-90	1500pF	C845	043-1608-90	0.1uF
C308	187-1053-65	50V 1uF	C602	043-1715-90	15pF	C846	043-1608-90	0.1uF
C309	187-1053-65	50V 1uF	C603	043-1715-90	15pF	C847	187-1053-65	50V 1uF
C310	187-1053-65	50V 1uF	C604	043-1706-90	5pF	C848	187-1073-15	6.3V 100uF
C311	187-1053-65	50V 1uF	C605	043-1706-90	5pF	C849	043-1804-90	0.1uF
C312	187-1053-65	50V 1uF	C606	043-1609-90	1500pF	C850	043-1804-90	0.1uF
C313	187-4763-15	6.3V 47uF	C607	043-1804-90	0.1uF	C853	189-4773-22	10V 470uF
C314	187-1063-35	16V 10uF	C608	187-1073-15	6.3V 100uF	C854	043-1841-90	0.047uF
C315	043-1735-90	100pF	C609	043-1804-90	0.1uF	C855	043-1608-90	0.1uF
C316	043-1735-90	100pF	C610	043-1608-90	0.1uF	C856	043-1804-90	0.1uF
C317	043-1804-90	0.1uF	C612	043-1608-90	0.1uF	C857	187-1073-15	6.3V 100uF
C318	187-4763-35	16V 47uF	C613	043-1608-90	0.1uF	C858	043-1804-90	0.1uF
C319	043-1735-90	100pF	C614	043-1607-90	0.01uF	C859	187-1073-15	6.3V 100uF
C320	043-1735-90	100pF	C620	187-2253-65	50V 2.2uF	C860	187-1073-15	6.3V 100uF
C321	187-1063-35	16V 10uF	C623	187-2253-65	50V 2.2uF	C861	043-1608-90	0.1uF
C322	187-1063-35	16V 10uF	C624	189-4773-22	10V 470uF	C870	187-1073-35	16V 100uF
C323	187-1063-35	16V 10uF	C633	187-4763-15	6.3V 47uF	D100	001-0592-61	1N5404
C324	187-1063-35	16V 10uF	C800	187-1073-15	6.3V 100uF	D109	001-0466-61	1A4
C337	187-1063-35	16V 10uF	C801	043-1620-90	4700pF	D110	001-0466-61	1A4
C338	187-1063-35	16V 10uF	C802	043-1802-90	0.01uF	D163	001-4203-33	GDMTZJ6.2A
C339	187-1063-35	16V 10uF	C803	043-1804-90	0.1uF	D302	001-4316-17	LM3Z4V3T1G
C340	187-1063-35	16V 10uF	C804	043-1804-90	0.1uF	D401	001-4316-24	LM3Z8V2T1G
C346	043-1841-90	0.047uF	C805	187-3363-25	6.3V 33uF	D402	001-1323-90	L1SS355T1G
C401	042-1715-00	16V 3300uF	C806	043-1804-90	0.1uF	D403	001-1323-90	L1SS355T1G
C413	178-4742-78	0.47uF	C807	187-1073-15	6.3V 100uF	D500	001-1323-90	L1SS355T1G
C414	178-4742-78	0.47uF	C809	043-1804-90	0.1uF	D502	001-4301-26	HZU4.7B2
C415	178-4742-78	0.47uF	C810	043-1804-90	0.1uF	D503	001-1323-90	L1SS355T1G
C416	178-4742-78	0.47uF	C811	043-1802-90	0.01uF	D504	001-1323-90	L1SS355T1G

REF No.	PART No.	DESCRIPTION	REF No.	PART No.	DESCRIPTION	REF No.	PART No.	DESCRIPTION
D505	001-1323-90	L1SS355T1G	Q403	125-4024-90	3DG3875	R410	033-1021-15	1/16W 1k ohm
D506	001-1323-90	L1SS355T1G	Q404	125-2027-95	DTC143ZUA	R411	033-4711-15	1/16W 470 ohm
D507	001-1323-90	L1SS355T1G	Q404	125-2041-96	RT1N141M	R412	033-2231-15	1/16W 22k ohm
D508	001-1323-90	L1SS355T1G	Q405	125-2198-90	KRC110S	R413	033-4721-15	1/16W 4.7k ohm
D509	001-4301-41	HZU7.5B2	Q409	125-0021-95	DTA143ZUA	R424	033-1231-15	1/16W 12k ohm
D510	001-4301-41	HZU7.5B2	Q409	125-0034-96	RT1P436M	R425	119-0000-05	1/10W 0 ohm JW
D511	001-4301-41	HZU7.5B2	Q410	125-4012-90	KTD1304	R427	033-1021-15	1/16W 1k ohm
D512	001-4301-41	HZU7.5B2	Q411	125-4012-90	KTD1304	R428	033-1021-15	1/16W 1k ohm
D601	001-4301-41	HZU7.5B2	Q413	125-4012-90	KTD1304	R429	033-1021-15	1/16W 1k ohm
D602	060-8078-00	EZAEG3A50AV	Q414	125-4012-90	KTD1304	R430	033-1021-15	1/16W 1k ohm
D603	060-8078-00	EZAEG3A50AV	Q500	125-4024-90	3DG3875	R446	033-1031-15	1/16W 10k ohm
D604	001-1323-90	L1SS355T1G	Q501	190-1576-00	2SA1576A	R448	119-2231-15	1/10W 22k ohm
D801	001-1323-90	L1SS355T1G	Q501	125-3014-90	ISA1602AM1	R449	119-2231-15	1/10W 22k ohm
D802	001-0644-90	MA113	Q502	190-1576-90	2SA1576A	R452	119-3311-15	1/10W 330 ohm
IC105	051-3349-00	HA13166	Q502	125-3014-90	ISA1602AM1	R453	119-3311-15	1/10W 330 ohm
IC302	051-5028-90	TDA7409	Q503	125-2027-91	DTC114EUA	R454	119-2231-15	1/10W 22k ohm
IC305	051-3060-90	AZ4558C	Q503	125-2041-92	RT1N141M	R455	119-3311-15	1/10W 330 ohm
IC402	051-2060-00	LA47201	Q504	125-2027-92	DTC124EUA	R456	119-3311-15	1/10W 330 ohm
IC501	052-1954-00	LC8783C8PA-59H7-E	Q504	125-2041-93	RT1N241M	R457	119-2231-15	1/10W 22k ohm
IC502	051-5443-38	S80850CNMC	Q505	125-0021-91	DTA114EUA	R458	033-1021-15	1/16W 1k ohm
IC503	051-5437-58	R3111N211A	Q505	125-0034-92	RT1P141M	R459	033-1021-15	1/16W 1k ohm
IC600	052-3991-00	LC87F14C8A	Q515	125-2027-92	DTC124EUA	R500	116-4721-15	1/4WS 4.7k ohm
IC601	051-6926-90	BD2051AFJ	Q515	125-2041-93	RT1N241M	R501	119-4731-15	1/10W 47k ohm
IC801	051-6743-00	LC786920E	Q516	125-0021-91	DTA114EUA	R502	033-4721-15	1/16W 4.7k ohm
IC802	051-6096-90	LA6242H	Q516	125-0034-92	RT1P141M	R503	033-4731-15	1/16W 47k ohm
J401	074-1214-50	16P	Q801	190-2060-00	2SA2060	R504	033-4721-15	1/16W 4.7k ohm
J501	074-1217-50	12P	Q802	101-0941-00	2SB941	R505	033-1031-15	1/16W 10k ohm
J502	075-0393-50	JACK	R108	033-1031-15	1/16W 10k ohm	R506	033-1041-15	1/16W 100k ohm
J801	074-1048-67	17P	R154	116-1521-15	1/4WS 1.5k ohm	R507	033-6831-15	1/16W 68k ohm
L201	010-2003-04	30uH(Variable)	R156	119-1241-15	1/10W 120k ohm	R511	119-0000-05	1/10W 0 ohm JW
L202	010-3105-67	1k ohm/100MHz	R159	116-1221-15	1/4WS 1.2k ohm	R513	033-4731-15	1/16W 47k ohm
L203	010-3105-67	1k ohm/100MHz	R169	119-1511-15	1/10W 150 ohm	R514	033-4731-15	1/16W 47k ohm
L206	010-6009-57	0.56UH	R200	119-1031-15	1/10W 10k ohm	R515	119-1841-15	1/10W 180k ohm
L301	010-6009-84	100UH	R201	119-5631-15	1/10W 56k ohm	R516	033-4731-15	1/16W 47k ohm
L302	010-3105-67	1k ohm/100MHz	R207	119-0000-05	1/10W 0 ohm JW	R521	033-5641-15	1/16W 560k ohm
L303	010-3105-67	1k ohm/100MHz	R209	119-2711-15	1/10W 270 ohm	R526	033-1031-15	1/16W 10k ohm
L304	010-3105-67	1k ohm/100MHz	R212	119-0000-05	1/10W 0 ohm JW	R527	033-1031-15	1/16W 10k ohm
L305	010-3105-67	1k ohm/100MHz	R223	033-2221-15	1/16W 2.2k ohm	R528	033-5621-15	1/16W 5.6k ohm
L501	010-3112-90	1k ohm/100MHz	R224	033-2221-15	1/16W 2.2k ohm	R529	119-4721-15	1/10W 4.7k ohm
L502	010-3123-90	2.2uH	R225	033-1031-15	1/16W 10k ohm	R530	033-1031-15	1/16W 10k ohm
L503	010-3123-90	2.2uH	R230	033-1021-15	1/16W 1k ohm	R531	033-4721-15	1/16W 4.7k ohm
L504	010-3123-90	2.2uH	R233	119-4741-15	1/10W 470k ohm	R532	119-4721-15	1/10W 4.7k ohm
L601	010-6009-81	68uH	R236	119-3311-15	1/10W 330 ohm	R533	033-1041-15	1/16W 100k ohm
L801	010-6009-76	22uH	R313	033-2711-15	1/16W 270 ohm	R534	033-1031-15	1/16W 10k ohm
L802	010-6009-76	22uH	R314	033-2711-15	1/16W 270 ohm	R535	033-4731-15	1/16W 47k ohm
Q119	125-4026-00	3DA2026	R315	033-2711-15	1/16W 270 ohm	R536	033-2231-15	1/16W 22k ohm
Q123	125-9026-90	IMF29	R316	033-2711-15	1/16W 270 ohm	R537	033-1041-15	1/16W 100k ohm
Q201	125-0025-93	RN2303	R317	119-3311-15	1/10W 330 ohm	R538	119-4711-15	1/10W 470 ohm
Q201	125-0034-93	RT1P241M	R325	032-0140-89	1/10W 47k ohm(F)	R539	119-4711-15	1/10W 470 ohm
Q202	125-0025-93	RN2303	R326	032-0140-89	1/10W 47k ohm(F)	R540	119-0000-05	1/10W 0 ohm JW
Q202	125-0034-93	RT1P241M	R328	032-0140-89	1/10W 47k ohm(F)	R541	119-1021-15	1/10W 1k ohm
Q203	125-2027-92	DTC124EUA	R329	032-0140-89	1/10W 47k ohm(F)	R542	119-1021-15	1/10W 1k ohm
Q203	125-2041-93	RT1N241M	R332	032-0140-89	1/10W 47k ohm(F)	R543	033-4721-15	1/16W 4.7k ohm
Q206	125-2027-92	DTC124EUA	R333	032-0140-89	1/10W 47k ohm(F)	R546	119-0000-05	1/10W 0 ohm JW
Q206	125-2041-93	RT1N241M	R334	032-0140-89	1/10W 47k ohm(F)	R547	119-0000-05	1/10W 0 ohm JW
Q208	125-4011-90	KTD863YAT	R335	032-0140-89	1/10W 47k ohm(F)			(PE-3047B-A)
Q211	192-4116-51	2SC4116	R344	119-1021-15	1/10W 1k ohm	R548	119-0000-05	1/10W 0 ohm JM
Q211	192-4155-51	2SC4155	R346	119-1041-15	1/10W 100k ohm			(PE-3047K-A/B)
Q212	192-4116-51	2SC4116	R347	119-1041-15	1/10W 100k ohm	R634	033-1031-15	1/16W 10k ohm
Q212	192-4155-51	2SC4155	R408	033-8221-15	1/16W 8.2k ohm	R635	033-1041-15	1/16W 100k ohm
Q212	192-4155-51	2SC4155	R409	119-1021-15	1/10W 1k ohm	R636	033-1041-15	1/16W 100k ohm

REF No.	PART No.	DESCRIPTION	REF No.	PART No.	DESCRIPTION	REF No.	PART No.	DESCRIPTION
R637	033-1031-15	1/16W 10k ohm	R818	033-6831-15	1/16W 68k ohm	R858	033-1031-15	1/16W 10k ohm
R638	119-1031-15	1/10W 10k ohm	R820	119-1011-15	1/10W 100 ohm	R859	033-1031-15	1/16W 10k ohm
R639	033-1031-15	1/16W 10k ohm	R821	119-1011-15	1/10W 100 ohm	R860	033-1031-15	1/16W 10k ohm
R640	033-3921-15	1/16W 3.9k ohm	R825	119-3921-15	1/10W 3.9k ohm	R861	033-1031-15	1/16W 10k ohm
R643	033-1531-15	1/16W 15k ohm	R826	119-3921-15	1/10W 3.9k ohm	R862	119-6831-15	1/10W 68k ohm
R644	033-1531-15	1/16W 15k ohm	R827	119-3921-15	1/10W 3.9k ohm	R863	119-2231-15	1/10W 22k ohm
R645	033-3301-15	1/16W 33 ohm	R828	033-2731-15	1/16W 27k ohm	R865	119-3351-15	1/10W 3.3m ohm
R646	033-3301-15	1/16W 33 ohm	R829	033-1021-15	1/16W 1k ohm	R866	033-1031-15	1/16W 10k ohm
R647	033-1011-15	1/16W 100 ohm	R830	033-1011-15	1/16W 100 ohm	R867	119-1031-15	1/10W 10k ohm
R648	033-1011-15	1/16W 100 ohm	R831	033-2221-15	1/16W 2.2k ohm	R870	032-0140-54	1/10W 22k ohm(F)
R649	033-1011-15	1/16W 100 ohm	R832	033-2221-15	1/16W 2.2k ohm	R871	032-0140-50	1/10W 10k ohm(F)
R650	033-1011-15	1/16W 100 ohm	R833	033-2221-15	1/16W 2.2k ohm	R872	119-6221-15	1/10W 6.2k ohm
R651	119-0000-05	1/10W 0 ohm JW	R834	119-2201-15	1/10W 22 ohm	R873	119-1031-15	1/10W 10k ohm
R652	119-0000-05	1/10W 0 ohm JW	R835	033-3321-15	1/16W 3.3k ohm	R874	119-6221-15	1/10W 6.2k ohm
R654	033-2221-15	1/16W 2.2k ohm	R836	033-1511-15	1/16W 150 ohm	R875	119-6821-15	1/10W 6.8k ohm
R801	033-3311-15	1/16W 330 ohm	R837	033-2231-15	1/16W 22k ohm	R876	033-3331-15	1/16W 33k ohm
R802	119-1031-15	1/10W 10k ohm	R839	119-4701-15	1/10W 47 ohm	R877	033-3331-15	1/16W 33k ohm
R804	033-4711-15	1/16W 470 ohm	R840	119-3301-15	1/10W 33 ohm	S501	013-6100-00	SWITCH
R805	033-4721-15	1/16W 4.7k ohm	R841	119-1511-15	1/10W 150 ohm	SUP202	060-0122-20	DSP-141N9S00B
R806	033-4721-15	1/16W 4.7k ohm	R842	119-1511-15	1/10W 150 ohm	T101	009-9006-60	0.23mH
R807	116-3391-15	1/4W 3.3 ohm	R845	033-0000-05	0.5A 0 ohm	T101	009-9006-70	CHOKE
R808	119-0000-05	1/10W 0 ohm JW	R846	033-0000-05	0.5A 0 ohm	X501	061-1056-00	32.768kHz
R809	119-0000-05	1/10W 0 ohm JW	R847	033-0000-05	0.5A 0 ohm	X502	061-3562-90	13.5MHz
R810	119-2231-15	1/10W 22k ohm	R848	033-0000-05	0.5A 0 ohm	X601	061-1081-50	12MHz
R811	119-1531-15	1/10W 15k ohm	R853	119-2721-15	1/10W 2.7k ohm	X801	060-1535-90	16.9344MHz
R812	119-2231-15	1/10W 22k ohm	R854	119-1021-15	1/10W 1k ohm	PWB	039-3206-00	PWB(WITHOUT COMPONENT)
R813	119-2231-15	1/10W 22k ohm	R855	119-1021-15	1/10W 1k ohm			
R815	033-6811-15	1/16W 680 ohm	R856	119-1021-15	1/10W 1k ohm			
R817	033-6811-15	1/16W 680 ohm	R857	119-1021-15	1/10W 1k ohm			

Switch PWB(B2) section

REF No.	PART No.	DESCRIPTION	REF No.	PART No.	DESCRIPTION	REF No.	PART No.	DESCRIPTION
C701	043-1841-90	0.047uF	J701	076-0615-50	12P	R723	119-0000-05	1/10W 0 ohm JW
C702	043-1841-90	0.047uF	LCD701	379-1401-41	INDICATOR(LCD)	R724	119-1221-15	1/10W 1.2k ohm
C703	043-1841-90	0.047uF	Q713	125-2027-92	DTC124EUA	R725	119-4711-15	1/10W 470 ohm
C704	043-1800-90	1000pF	Q713	125-2041-93	RT1N241M	S701	013-6312-50	SWITCH
C705	042-0423-97	16V 10uF TAN	Q714	125-2027-92	DTC124EUA	S702	013-6312-50	SWITCH
C706	042-0423-97	16V 10uF TAN	Q714	125-2041-93	RT1N241M	S703	013-6312-50	SWITCH
C707	043-1841-90	0.047uF	R701	119-3311-15	1/10W 330 ohm	S704	013-6312-50	SWITCH
D702	001-4907-90	PG05GBUSU	R702	119-3931-15	1/10W 39k ohm	S705	013-6312-50	SWITCH
D705	001-4301-29	HZU5.1B2	R703	119-1041-15	1/10W 100k ohm	S706	013-6312-50	SWITCH
D706	001-4301-29	HZU5.1B2	R704	119-3921-15	1/10W 3.9k ohm	S707	013-6312-50	SWITCH
D707	001-4907-90	PG05GBUSU	R705	119-1221-15	1/10W 1.2k ohm	S709	013-6312-50	SWITCH
D708	001-4907-90	PG05GBUSU	R706	119-4711-15	1/10W 470 ohm	S710	013-6312-50	SWITCH
D711	001-7105-90	LSL296-P2Q2	R707	119-1021-15	1/10W 1k ohm	S711	013-6312-50	SWITCH
D712	001-7105-90	LSL296-P2Q2	R708	119-1011-15	1/10W 100 ohm	S713	013-6312-50	SWITCH
D713	001-7105-90	LSL296-P2Q2	R709	119-4721-15	1/10W 4.7k ohm	S714	013-6312-50	SWITCH
D714	001-7105-90	LSL296-P2Q2	R713	119-5611-15	1/10W 560 ohm	S715	013-6312-50	SWITCH
D715	001-7114-90	LWL38G-Q1R2	R714	119-5611-15	1/10W 560 ohm	S716	013-6312-50	SWITCH
D716	001-7114-90	LWL38G-Q1R2	R715	119-1021-15	1/10W 1k ohm	S717	013-6312-50	SWITCH
D717	001-4301-29	HZU5.1B2	R716	119-1021-15	1/10W 1k ohm	S718	016-9901-02	VR W/SHAFT
D718	001-4301-41	HZU7.5B2	R717	119-1021-15	1/10W 1k ohm	PWB	039-3208-01	PWB(WITHOUT COMPONENT)
D720	001-4301-51	HZU10B3	R718	119-1021-15	1/10W 1k ohm			
IC701	051-6095-00	LC75857	R719	119-5611-15	1/10W 560 ohm			
IR701	060-4017-90	RS-671	R720	119-5611-15	1/10W 560 ohm			

USB JACK PWB(B3) section

REF No.	PART No.	DESCRIPTION	REF No.	PART No.	DESCRIPTION	REF No.	PART No.	DESCRIPTION
J1	075-9021-50	JACK	L2	010-3105-67	1k ohm/100MHz	P2	076-0502-55	5P
J2	074-4036-50	4P	L3	010-3105-67	1k ohm/100MHz	PWB	039-3212-00	PWB(WITHOUT COMPONENT)
L1	010-3105-67	1k ohm/100MHz	P1	076-0502-55	5P			