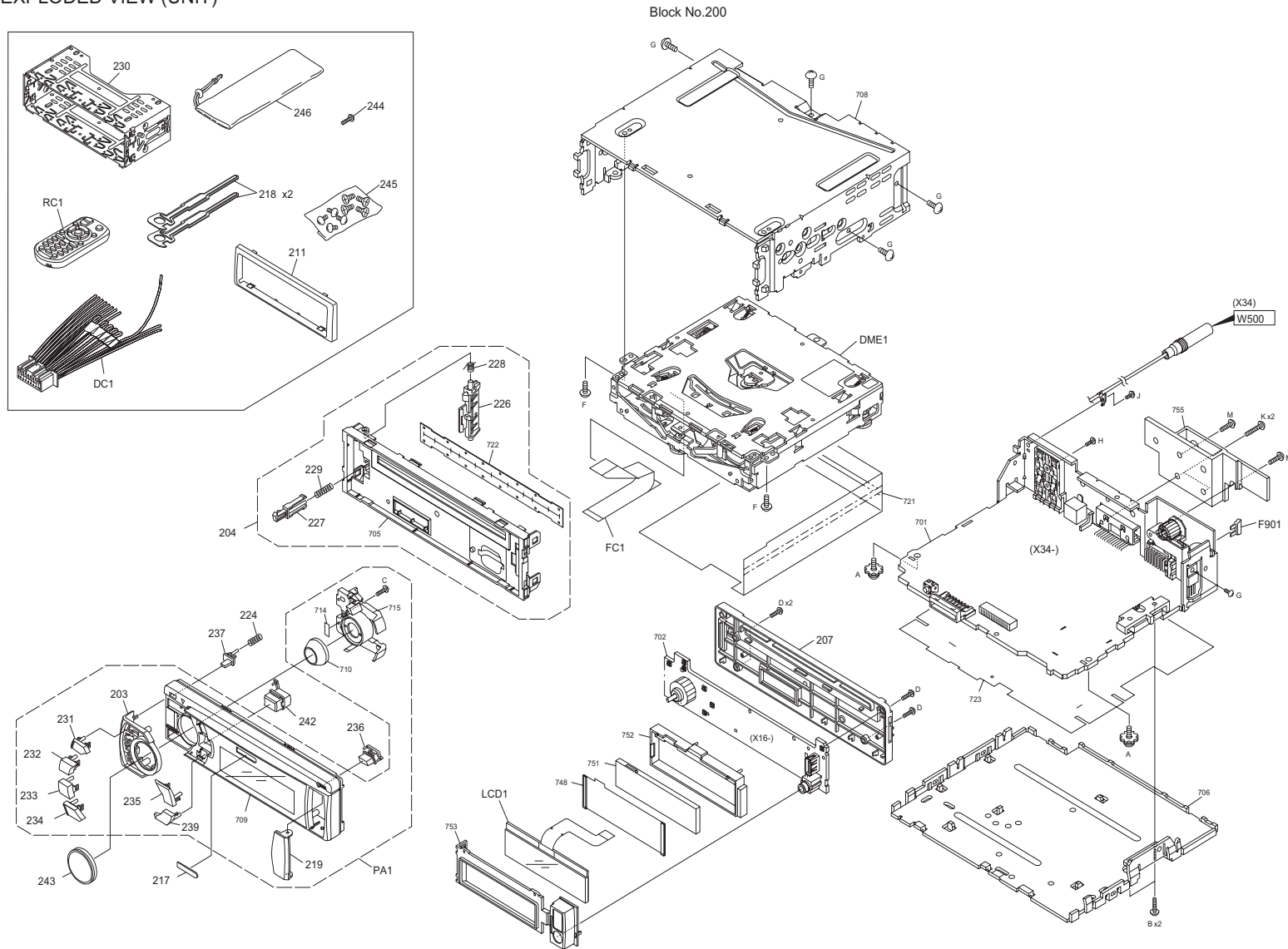


EXPLODED VIEW (UNIT)



Parts with the exploded numbers larger than 700 are not supplied.

created date:2012-07-24

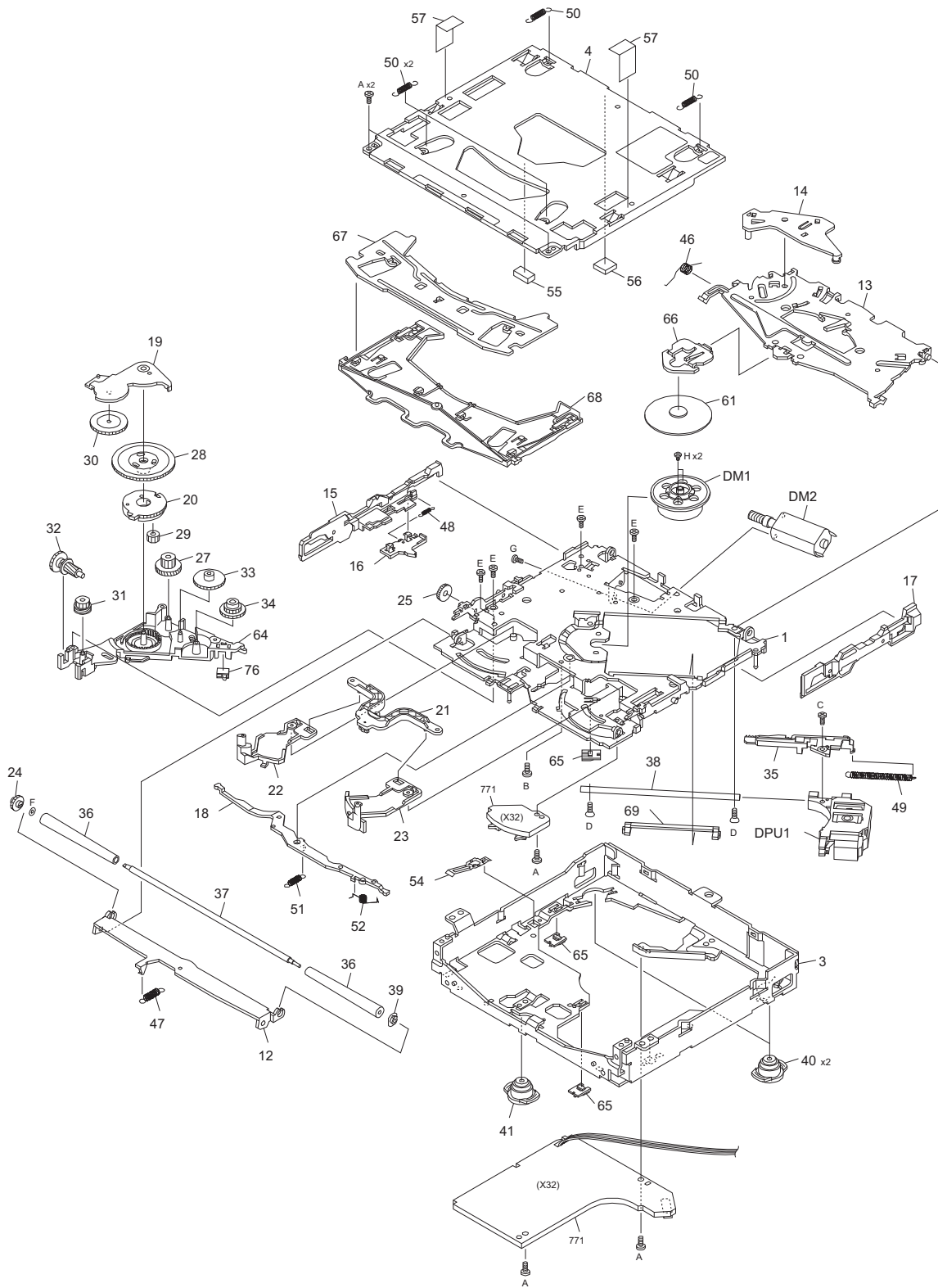
MODEL	MARK
KDC-400U	

Safe	Symbol No.	Parts No.	Parts Name	Description	QTY	Local
EXPLODED VIEW (UNIT) <200>						
△	DC1	E30-6939-05	DC CORD		1	
	DME1	X92-6370-04	MECHANISM ASSY (DXM-9B24W)		1	
△	F901	F52-0023-05	FUSE	32V 10A	1	
	FC1	E39-1077-05	FLAT CABLE	30PIN 1MM	1	
	LCD1	B38-1229-05	LCD	107x25DOTS	1	
	PA1	A64-5430-02	PANEL ASSY		1	
	RC1	A70-2104-05	REMOTE CONTROLLER RC-405 ASSY		1	
	A	N09-6758-05	TAPTITE SCREW		2	
	B	N35-2610-48	BINDING HEAD	M2.6X10	2	
	C	N80-2006-48	MACHINE SCREW PAN HEAD TAPTITE	2x6	1	
	D	N80-2008-43	SCREW PAN HEAD TAPTITE	2x8	4	
	F	N86-2604-43	SCREW BINDING HEAD TAPTITE	2.6x4	2	
	G	N86-2606-48	SCREW BINDING HEAD TAPTITE	2.6x6	5	
	H	N80-3008-48	SCREW PAN HEAD TAPTITE	3x8	1	
	J	N83-3005-48	SCREW PAN HEAD TAPTITE	3x5 B	1	
	K	N84-3014-48	SCREW PAN HEAD TAPTITE	3x14	2	
	M	N89-3010-48	SCREW BINDING HEAD TAPTITE		2	
	203	A21-6800-02	DRESSING PANEL		1	
	204	A22-3344-03	SUB PANEL ASSY		1	
	207	A46-1917-01	REAR COVER		1	
	211	B07-3361-02	ESCUTCHEON (ACCESSORY)		1	
	217	B43-1545-14	BADGE		1	
	218	D10-7139-04	LEVER		2	
	219	F07-2237-03	COVER	USB	1	
	224	G01-3244-04	COMPRESSION SPRING (RELEASE)		1	
	226	GE34045-001A	LOCK LEVER		1	
	227	GE34046-001A	RELEASE LEVER		1	
	228	G01-4820-04	TORSION COIL SPRING	LOCK	1	
	229	G01-4821-04	COMPRESSION SPRING	RELEASE	1	
	230	J22-2049-03	MOUNTING HARDWARE ASSY		1	
	231	K24-5084-13	PUSH KNOB (SRC)		1	
	232	K24-5085-13	PUSH KNOB (SEARCH)		1	
	233	K24-5086-13	PUSH KNOB (RETURN)		1	
	234	K24-5087-13	PUSH KNOB (DISP)		1	
	235	K24-5088-13	PUSH KNOB (PRESET)		1	
	236	K24-5090-03	PUSH KNOB (EJECT)		1	
	237	K24-5091-14	PUSH KNOB (RELEASE)		1	
	239	K24-5157-03	PUSH KNOB (SEARCH MODE)		1	
	242	K28-0443-13	KNOB ASSY (iPod)		1	
	243	K28-0494-04	KNOB ASSY (VOL)		1	
	244	N80-2008-48	PAN HEAD TAPTITE	2x8	1	
	245	N99-1757-15	SCREW SET		1	
	246	W01-1710-05	CARRYING CASE		1	
	-	B59-2154-00	SUB-INSTRUCTION MANUAL	ENG SPA	1	
	-	H54-5249-03	ITEM CARTON CASE		1	

EXPLODED VIEW (CD MECHANISM)

Block No.130

DXM-9B24W



Parts with the exploded numbers larger than 700 are not supplied.

No.WA035

created date:2012-07-24

MODEL	MARK
KDC-400U	

Safe	Symbol No.	Parts No.	Parts Name	Description	QTY	Local
EXPLODED VIEW (CD MECHANISM) <130>						
	DM1	X94-2090-00	SPINDLE MOTOR ASSY		1	
	DM2	X94-2100-00	FEED MOTOR ASSY (LOAD/SLED)		1	
	DPU1	X93-2280-00	OPTICAL PICKUP ASSY		1	
	A	N09-6108-15	TAPTITE SCREW	M2x3.5 TYPE3	5	
	B	N09-6426-15	LOAD ARM SCREW		1	
	C	N09-6735-05	PICK SCREW		1	
	D	N09-6737-15	SHAFT SCREW		2	
	E	N09-6738-15	GEAR SCREW		4	
	F	N19-2335-14	ROLLER WASHER		1	
	G	N35-2003-48	BINDING HEAD	M2x3	1	
			MACHINE SCREW		1	
	H	N39-1720-48	PAN HEAD MACHINE SCREW	M1.7x2.0	2	
	1	A10-5450-73	MD CHASSIS ASSY		1	
	3	A10-5574-01	OUTER CHASSIS T2		1	
	4	A10-5453-32	TOP CHASSIS		1	
	12	D10-4993-62	ROLLER LEVER		1	
	13	D10-4991-22	CLAMP ARM		1	
	14	D10-4992-23	TRIGGER ARM		1	
	15	D10-4994-02	SLIDER L		1	
	16	D10-4995-03	TRIGGER SLIDER		1	
	17	D10-4996-02	SLIDER R		1	
	18	D10-4997-03	JOINT LEVER		1	
	19	D10-4998-03	LOADING ARM		1	
	20	D10-4999-03	CARRIER ARM		1	
	21	D10-7001-03	JOINT ARM		1	
	22	D10-7002-03	DISC ARM L		1	
	23	D10-7003-03	DISC ARM R		1	
	24	D13-2445-04	ROLLER GEAR		1	
	25	D13-2446-04	LOAD GEAR 2		1	
	27	D13-2448-04	HELICAL GEAR 1		1	
	28	D13-2449-04	SUN GEAR		1	
	29	D13-2450-04	PLANET GEAR		1	
	30	D13-2451-04	LOAD GEAR 1		1	
	31	D13-2452-04	WORM 2		1	
	32	D13-2453-04	HELICAL GEAR 2		1	
	33	D13-2454-04	PICK GEAR 1		1	
	34	D13-2455-04	PICK GEAR 2		1	
	35	D13-2456-03	RACK GEAR		1	
	36	D14-1028-04	ROLLER		2	
	37	D21-2507-04	ROLLER SHAFT		1	
	38	D21-2508-04	PICK UP SHAFT		1	
	39	D23-0963-04	ROLLER RETAINER		1	
	40	D39-0277-15	REAR DAMPER		2	
	41	D39-0278-15	FRONT DAMPER		1	
	46	G01-4682-34	CLAMP SPRING		1	
	47	G01-4756-04	ROLLER SPRING		1	
	48	G01-4684-04	TRIGGER SPRING		1	
	49	G01-4685-04	PICK UP SPRING		1	
	50	G01-4686-14	FLOATING SP F		4	
	51	G01-4688-14	JOINT ARM SPRING		1	
	52	G01-4692-24	LOAD SPRING		1	
	54	G02-1588-04	HOLE SPRING V		1	
	55	G13-1297-04	CLAMPER CUSSION		1	
	56	G13-1299-14	STROKE CUSHION		1	
	57	G16-1715-04	OUTER SHEET		2	
	61	J11-0675-03	CLAMPER		1	
	64	J19-7210-21	GEAR HOLDER		1	
	65	J19-7225-04	WIRE HOLDER		3	
	66	J22-0706-03	CLAMPER HOLDER		1	
	67	J22-0707-12	GUIDE BKT		1	
	68	J90-1166-11	DISC GUIDE		1	
	69	J90-1168-03	SUB RAIL HOLDER		1	
	76	S68-0921-05	PUSH SWITCH		1	
ELECTRIC UNIT (X34-7160-12) <X34>						
	IC1	BD49131-V4	ANALOGUE IC		1	
	IC21	BU33TD3WG	ANALOGUE IC	3.3V	1	
	IC51	MP2560DN-C413	ANALOGUE IC		1	
	IC61	AN33013UA-VB	ANALOGUE IC	1.5A DOWN DCDC 1CH	1	
	IC201	W10-0735-08	INTEGRATED CIRCUIT (MCU)		1	
	IC202	XC6119N28AN-G	MOS-IC	2.8V	1	
	IC203	BR24T256FVT-W	ROM IC	256K	1	
	IC261	MFI341S2162	MICROPROCESSOR IC		1	
	IC301	TC7SET125FU-F	MOS-IC		1	
	IC302	BH31MA3WHFV	ANALOGUE IC	3.1V 300MA HVSO6	1	
	IC401	TDA7720-X	INTEGRATED CIRCUIT (ANALOGUE)		1	
	IC500	TDA7706	INTEGRATED CIRCUIT (MOS-IC)		1	
	IC570	BD12KA5WFP	ANALOGUE IC	1.2V	1	
	IC580	BA50BC0WFP	ANALOGUE IC	5.0V 1.0A	1	
	IC600	W10-0741-08	MOS-IC	64PIN	1	
	IC661	TC7SET08FU-F	MOS-IC		1	
	IC662	TC7SH17FU-F	MOS-IC		1	
	IC801	TB2931HQ	ANALOGUE IC	25PIN 1.0MM PITCH	1	
	Q1	KTA1046-P	TRANSISTOR		1	
	Q2	LSCR523UBFS8	TRANSISTOR		1	
	Q3	LTC024EUBFS8	TRANSISTOR	R2/R1:22K/22K NPN	1	

MODEL	MARK
KDC-400U	

Safe	Symbol No.	Parts No.	Parts Name	Description	QTY	Local
Q4		LTA024EUBFS8	TRANSISTOR	R2/R1:22K/22K PNP	1	
Q5		LTC043ZUBFS8	TRANSISTOR	R2/R1:47K/4.7K NPN	1	
Q6		LTA024EUBFS8	TRANSISTOR	R2/R1:22K/22K PNP	1	
Q7		LTC043ZUBFS8	TRANSISTOR	R2/R1:47K/4.7K NPN	1	
Q8		LTA024EUBFS8	TRANSISTOR	R2/R1:22K/22K PNP	1	
Q9		LTC043ZUBFS8	TRANSISTOR	R2/R1:47K/4.7K NPN	1	
Q10		LTA024EUBFS8	TRANSISTOR	R2/R1:22K/22K PNP	1	
Q51		LTC043ZUBFS8	TRANSISTOR	R2/R1:47K/4.7K NPN	1	
Q52		LTC043ZUBFS8	TRANSISTOR	R2/R1:47K/4.7K NPN	1	
Q61		LTC043ZUBFS8	TRANSISTOR	R2/R1:47K/4.7K NPN	1	
Q101		LSCR523UBFS8	TRANSISTOR		1	
Q102		LSCR523UBFS8	TRANSISTOR		1	
Q103		LSCR523UBFS8	TRANSISTOR		1	
Q104		LSCR523UBFS8	TRANSISTOR		1	
Q105		LTC044EUBFS8	TRANSISTOR	R2/R1:47K/47K NPN	1	
Q301		DTA123JUA	DIGI TRANSISTOR	R2/R1: 47K/2.2K PNP	1	
Q701		LTC043TUBFS8	TRANSISTOR	R2/R1:-/4.7K NPN	1	
Q702		LTC043TUBFS8	TRANSISTOR	R2/R1:-/4.7K NPN	1	
Q703		LTC043TUBFS8	TRANSISTOR	R2/R1:-/4.7K NPN	1	
Q704		LTC043TUBFS8	TRANSISTOR	R2/R1:-/4.7K NPN	1	
Q705		LTC043TUBFS8	TRANSISTOR	R2/R1:-/4.7K NPN	1	
Q706		LTC043TUBFS8	TRANSISTOR	R2/R1:-/4.7K NPN	1	
Q707		LTA014YUBFS8	TRANSISTOR	R2/R1:47K/10K PNP	1	
Q708		LTA014YUBFS8	TRANSISTOR	R2/R1:47K/10K PNP	1	
D1		S2V60-5009F46	DIODE		1	
D2		RKZ8.2KG(B2)	ZENER DIODE		1	
D3		GS1J-LTP-X	SILICON DIODE		1	
D4		MC2848-T111	DIODE		1	
D51		CMS14	DIODE		1	
D52		RKS801KF	DIODE		1	
D61		CMS14	DIODE		1	
D101		GS1J-LTP-X	SILICON DIODE		1	
D102		GS1J-LTP-X	SILICON DIODE		1	
D103		GS1J-LTP-X	SILICON DIODE		1	
D104		GS1J-LTP-X	SILICON DIODE		1	
D105		MC2846-T111	DIODE		1	
D106		UDZW6.8(B)	ZENER DIODE		1	
D107		UDZW6.8(B)	ZENER DIODE		1	
D108		UDZW6.8(B)	ZENER DIODE		1	
D201		RB521S-30	DIODE		1	
D202		RKZ5.1KG(B2)	ZENER DIODE		1	
D301		MC2850-T111	DIODE		1	
D302		RKZ6.8KG(B2)	ZENER DIODE		1	
D303		RKZ6.8KG(B2)	ZENER DIODE		1	
D304		RKZ6.8KG(B2)	ZENER DIODE		1	
D305		VR105C3R3BAA	VARISTOR	10V 40V 3.3P1005	1	
D306		VR105C3R3BAA	VARISTOR	10V 40V 3.3P1005	1	
D307		HZM6.8ZMWA-E	ZENER DIODE	6.8V	1	
D308		MC2850-T111	DIODE		1	
D401		MC2846-T111	DIODE		1	
D500		IMSA-6802-E	SURGE ABSORBER	1608	1	
D501		KP2311ETR-G	DIODE		1	
D502		KP2311ETR-G	DIODE		1	
D555		MC2850-T111	DIODE		1	
D651		RKZ6.8KG(B2)	ZENER DIODE		1	
D652		RKZ6.8KG(B2)	ZENER DIODE		1	
D653		RKZ6.2KG(B2)	ZENER DIODE		1	
D661		RKZ6.2KG(B2)	ZENER DIODE		1	
D662		RKZ6.2KG(B2)	ZENER DIODE		1	
D663		RKZ6.2KG(B2)	ZENER DIODE		1	
D701		MC2846-T111	DIODE		1	
D702		MC2846-T111	DIODE		1	
D801		MC2846-T111	DIODE		1	
C1		CD04AZ1C332M2	ELECTRO	3300UF 16WV	1	
C4		CK73GB1C104K	CHIP C	16V 0.10UF K	1	
C6		CK73GB1H104K	CHIP C	50V 0.10UF K	1	
C7		CK73GB1H104K	CHIP C	50V 0.10UF K	1	
C8		CD04BN1C221M	ELECTRO	220UF 16WV	1	
C9		CD04AS0J101M	ELECTRO	100UF 6.3WV	1	
C10		CK73GB1C104K	CHIP C	16V 0.10UF K	1	
C11		CK73GB1C104K	CHIP C	16V 0.10UF K	1	
C12		CK73GB1C104K	CHIP C	16V 0.10UF K	1	
C13		CK73GB1C104K	CHIP C	16V 0.10UF K	1	
C22		CK73GB1A105K	CHIP C	10V 1.0UF K	1	
C23		CK73GB1A105K	CHIP C	10V 1.0UF K	1	
C24		CD04AS0J470M	ELECTRO	47UF 6.3WV	1	
C52		CK73FB0J106K	CHIP C	6.3V 10UF K	1	
C53		CC73HCH1H221J	CHIP C	50V 220PF J	1	
C54		CK73GB1C104K	CHIP C	16V 0.10UF K	1	
C55		CK73GB1H102K	CHIP C	50V 1000PF K	1	
C56		CK73EB1H475K	CHIP C	50V 4.7UF K	1	
C60		CK73FB0J226M	CHIP C	22UF M	1	
C62		CK73GB1C104K	CHIP C	16V 0.10UF K	1	
C63		CK73EB1H475K	CHIP C	50V 4.7UF K	1	
C64		CK73GB1C104K	CHIP C	16V 0.10UF K	1	
C66		CC73GCH1H471J	CHIP C	50V 470PF J	1	
C67		CC73HCH1H270J	CHIP C	50V 27PF J	1	
C68		CK73GB1H222K	CHIP C	50V 2200PF K	1	
C69		CC73GCH1H471J	CHIP C	50V 470PF J	1	
C71		CK73GB1C104K	CHIP C	16V 0.10UF K	1	
C72		CK73GB1A105K	CHIP C	10V 1.0UF K	1	
C80		CK73GB1C104K	CHIP C	16V 0.10UF K	1	
C81		CD04BR1C221M	ELECTRO	220UF 16WV	1	

MODEL	MARK
KDC-400U	

Safe	Symbol No.	Parts No.	Parts Name	Description	QTY	Local
	C101	CK73GB1H103K	CHIP C	50V 0.010UF K	1	
	C102	CK73GB1H104K	CHIP C	50V 0.10UF K	1	
	C105	CK73HB0J105K	CHIP C	6.3V 1.0UF K	1	
	C106	CK73GB1H223K	CHIP C	50V 0.022UF K	1	
	C202	CC73HCH1H180J	CHIP C	50V 18PF J	1	
	C203	CC73HCH1H220J	CHIP C	50V 22PF J	1	
	C204	CK73GB1C104K	CHIP C	16V 0.10UF K	1	
	C205	CK73GB1C104K	CHIP C	16V 0.10UF K	1	
	C210	CK73HB1A104K	CHIP C	10V 0.10UF K	1	
	C211	CK73HB1A104K	CHIP C	10V 0.10UF K	1	
	C212	CK73GB1C104K	CHIP C	16V 0.10UF K	1	
	C213	CK73GB1C104K	CHIP C	16V 0.10UF K	1	
	C214	CK73GB1C104K	CHIP C	16V 0.10UF K	1	
	C215	CK73HB1A104K	CHIP C	10V 0.10UF K	1	
	C216	CK73HB1A104K	CHIP C	10V 0.10UF K	1	
	C217	CC73HCH1H080D	CHIP C	50V 8.0PF D	1	
	C218	CC73HCH1H080D	CHIP C	50V 8.0PF D	1	
	C261	CK73HB1A104K	CHIP C	10V 0.10UF K	1	
	C301	CD04AS1HR47M	ELECTRO	0.47UF 50WV	1	
	C302	CD04AS1HR47M	ELECTRO	0.47UF 50WV	1	
	C303	CK73GB1C104K	CHIP C	16V 0.10UF K	1	
	C304	CK73GB1C104K	CHIP C	16V 0.10UF K	1	
	C305	CK73GB1H102K	CHIP C	50V 1000PF K	1	
	C306	CK73GB1H102K	CHIP C	50V 1000PF K	1	
	C307	CD04AS0J470M	ELECTRO	47UF 6.3WV	1	
	C308	CK73GB1H103K	CHIP C	50V 0.010UF K	1	
	C311	CC73GCH1H020C	CHIP C	50V 2.0PF C	1	
	C315	CK73GB1H102K	CHIP C	50V 1000PF K	1	
	C316	CK73HB1H102K	CHIP C	50V 1000PF K	1	
	C317	CK73HB0J105K	CHIP C	6.3V 1.0UF K	1	
	C318	CK73HB1E103K	CHIP C	25V 0.010UF K	1	
	C319	CK73GB0J225K	CHIP C	6.3V 2.2UF K	1	
	C401	CD04AS1C470M	ELECTRO	47UF 16WV	1	
	C403	CD04AS1H010M	ELECTRO	1UF 50WV	1	
	C404	CK73GB1A105K	CHIP C	10V 1.0UF K	1	
	C405	CK73GB1A105K	CHIP C	10V 1.0UF K	1	
	C406	CK73GB1A105K	CHIP C	10V 1.0UF K	1	
	C407	CK73GB1A105K	CHIP C	10V 1.0UF K	1	
	C502	CC73HCH1H330J	CHIP C	50V 33PF J	1	
	C503	CK73HB1H102K	CHIP C	50V 1000PF K	1	
	C504	CC73HCH1H060D	CHIP C	50V 6.0PF D	1	
	C505	CC73HCH1H470J	CHIP C	50V 47PF J	1	
	C507	CK73HB1H102K	CHIP C	50V 1000PF K	1	
	C509	CK73HB1E103K	CHIP C	25V 0.010UF K	1	
	C510	CK73HB1E103K	CHIP C	25V 0.010UF K	1	
	C511	CK73HB1A104K	CHIP C	10V 0.10UF K	1	
	C512	CK73GB1A105K	CHIP C	10V 1.0UF K	1	
	C513	CK73HB1A104K	CHIP C	10V 0.10UF K	1	
	C514	CK73HB1A104K	CHIP C	10V 0.10UF K	1	
	C515	CK73HB1E103K	CHIP C	25V 0.010UF K	1	
	C516	CK73HB1E103K	CHIP C	25V 0.010UF K	1	
	C517	CK73FB0J106K	CHIP C	6.3V 10UF K	1	
	C518	CK73FB0J106K	CHIP C	6.3V 10UF K	1	
	C519	CK73GB1C104K	CHIP C	16V 0.10UF K	1	
	C520	CK73GB1H103K	CHIP C	50V 0.010UF K	1	
	C521	CK73HB1H102K	CHIP C	50V 1000PF K	1	
	C522	CC73HCH1H040C	CHIP C	50V 4.0PF C	1	
	C523	CC73HCH1H120J	CHIP C	50V 12PF J	1	
	C524	CC73GCH1H020C	CHIP C	50V 2.0PF C	1	
	C525	CK73HB1H102K	CHIP C	50V 1000PF K	1	
	C526	CK73HB1E103K	CHIP C	25V 0.010UF K	1	
	C527	CK73GB1C104K	CHIP C	16V 0.10UF K	1	
	C528	CC73HCH1H820J	CHIP C	50V 82PF J	1	
	C529	CC73HCH1H101J	CHIP C	50V 100PF J	1	
	C530	CK73HB1E103K	CHIP C	25V 0.010UF K	1	
	C531	CK73HB1A104K	CHIP C	10V 0.10UF K	1	
	C532	CK73GB1A474K	CHIP C	10V 0.47UF K	1	
	C533	CK73HB1E103K	CHIP C	25V 0.010UF K	1	
	C534	CK73HB1E103K	CHIP C	25V 0.010UF K	1	
	C535	CK73GB1C104K	CHIP C	16V 0.10UF K	1	
	C537	CK73GB1A105K	CHIP C	10V 1.0UF K	1	
	C538	CK73GB1C104K	CHIP C	16V 0.10UF K	1	
	C548	CC73GCH1H040C	CHIP C	50V 4.0PF C	1	
	C549	CC73GCH1H040C	CHIP C	50V 4.0PF C	1	
	C550	CD04AS1V100M	ELECTRO	10UF 35WV	1	
	C551	CK73GB0J225K	CHIP C	6.3V 2.2UF K	1	
	C552	CK73HB1A104K	CHIP C	10V 0.10UF K	1	
	C553	CK73GB1C104K	CHIP C	16V 0.10UF K	1	
	C554	CK73GB0J225K	CHIP C	6.3V 2.2UF K	1	
	C555	CK73GB1C104K	CHIP C	16V 0.10UF K	1	
	C556	CK73GB1C104K	CHIP C	16V 0.10UF K	1	
	C557	CC73HCH1H100D	CHIP C	50V 10PF D	1	
	C558	CC73HCH1H100D	CHIP C	50V 10PF D	1	
	C559	CK73GB1H102K	CHIP C	50V 1000PF K	1	
	C560	CK73GB1A105K	CHIP C	10V 1.0UF K	1	
	C561	CK73HB1A104K	CHIP C	10V 0.10UF K	1	
	C562	CK73HB0J105K	CHIP C	6.3V 1.0UF K	1	
	C563	CK73GB1H472K	CHIP C	50V 4700PF K	1	
	C564	CK73GB1H472K	CHIP C	50V 4700PF K	1	
	C565	CK73HB0J224K	CHIP C	6.3V 0.22UF K	1	
	C566	CK73HB1E103K	CHIP C	25V 0.010UF K	1	
	C567	CK73GB1A105K	CHIP C	10V 1.0UF K	1	

MODEL	MARK
KDC-400U	

Safe	Symbol No.	Parts No.	Parts Name	Description	QTY	Local
	C568	CK73GB1A105K	CHIP C	10V 1.0UF K	1	
	C571	CK73GB1A105K	CHIP C	10V 1.0UF K	1	
	C572	CK73GB1A105K	CHIP C	10V 1.0UF K	1	
	C573	CC73GCH1H020C	CHIP C	50V 2.0PF C	1	
	C575	CK73GB1A105K	CHIP C	10V 1.0UF K	1	
	C577	CK73GB1A105K	CHIP C	10V 1.0UF K	1	
	C580	CK73GB1A474K	CHIP C	10V 0.47UF K	1	
	C581	CD04BR1E220M	ELECTRO	22UF 25VV	1	
	C584	CK73HB1E103K	CHIP C	25V 0.010UF K	1	
	C601	CK73GB1H103K	CHIP C	50V 0.010UF K	1	
	C602	CK73HB0J105K	CHIP C	6.3V 1.0UF K	1	
	C603	CK73GB1C104K	CHIP C	16V 0.10UF K	1	
	C604	CK73GB1C104K	CHIP C	16V 0.10UF K	1	
	C651	CK73GB1A105K	CHIP C	10V 1.0UF K	1	
	C652	CK73GB1A105K	CHIP C	10V 1.0UF K	1	
	C653	CD04AS0J470M	ELECTRO	47UF 6.3WV	1	
	C701	CD04AS1V100M	ELECTRO	10UF 35VV	1	
	C702	CD04AS1V100M	ELECTRO	10UF 35VV	1	
	C703	CD04AS1V100M	ELECTRO	10UF 35VV	1	
	C704	CD04AS1V100M	ELECTRO	10UF 35VV	1	
	C705	CD04AS1V100M	ELECTRO	10UF 35VV	1	
	C706	CD04AS1V100M	ELECTRO	10UF 35VV	1	
	C801	CK73GB1C224K	CHIP C	16V 0.22UF K	1	
	C802	CK73GB1C224K	CHIP C	16V 0.22UF K	1	
	C803	CK73GB1C224K	CHIP C	16V 0.22UF K	1	
	C804	CK73GB1C224K	CHIP C	16V 0.22UF K	1	
	C805	CD04AS1V100M	ELECTRO	10UF 35VV	1	
	C806	CK73GB1A105K	CHIP C	10V 1.0UF K	1	
	C807	CK73HB0J105K	CHIP C	6.3V 1.0UF K	1	
	C808	CK73GB1A105K	CHIP C	10V 1.0UF K	1	
	R1	RK73FB2B102J	CHIP R	1.0K J 1/8W	1	
	R2	RK73HB1J102J	CHIP R	1.0K J 1/16W	1	
	R50	RK73GB2A302J	CHIP R	3.0K J 1/10W	1	
	R51	RK73GH2A243D	CHIP R	24K D 1/10W	1	
	R52	RK73GH2A753D	CHIP R	75K D 1/10W	1	
	R53	RK73HB1J683J	CHIP R	68K J 1/16W	1	
	R54	RK73GH2A304D	CHIP R	300K D 1/10W	1	
	R55	RK73GH2A164D	CHIP R	160K D 1/10W	1	
	R56	RK73GH2A913D	CHIP R	91K D 1/10W	1	
	R57	RK73HB1J102J	CHIP R	1.0K J 1/16W	1	
	R58	RK73HB1J473J	CHIP R	47K J 1/16W	1	
	R59	RK73EB2E150J	CHIP R	15 J 1/4W	1	
	R61	RK73GH2A273D	CHIP R	27K D 1/10W	1	
	R62	RK73GH2A623D	CHIP R	62K D 1/10W	1	
	R64	RK73GH2A153D	CHIP R	15K D 1/10W	1	
	R65	RK73GB2A152J	CHIP R	1.5K J 1/10W	1	
	R66	R92-5244-05	CHIP R	0.039 1/3W	1	
	R67	RK73GB2A752J	CHIP R	7.5K J 1/10W	1	
	R69	RK73GH2A273D	CHIP R	27K D 1/10W	1	
	R70	RK73EB2E330J	CHIP R	33 J 1/4W	1	
	R71	RK73EB2E470J	CHIP R	47 J 1/4W	1	
	R72	RK73EB2E470J	CHIP R	47 J 1/4W	1	
	R76	RK73HB1J223J	CHIP R	22K J 1/16W	1	
	R77	RK73HB1J101J	CHIP R	100 J 1/16W	1	
	R101	RK73FB2B472J	CHIP R	4.7K J 1/8W	1	
	R102	RK73FB2B472J	CHIP R	4.7K J 1/8W	1	
	R103	RK73EB2E102J	CHIP R	1.0K J 1/4W	1	
	R104	RK73EB2E102J	CHIP R	1.0K J 1/4W	1	
	R105	RK73EB2E102J	CHIP R	1.0K J 1/4W	1	
	R106	RK73EB2E333J	CHIP R	33K J 1/4W	1	
	R107	RK73GB2A103J	CHIP R	10K J 1/10W	1	
	R108	RK73GB2A223J	CHIP R	22K J 1/10W	1	
	R109	RK73FB2B683J	CHIP R	68K J 1/8W	1	
	R110	RK73GB2A473J	CHIP R	47K J 1/10W	1	
	R111	RK73EB2E203J	CHIP R	20K J 1/4W	1	
	R112	RK73HB1J104J	CHIP R	100K J 1/16W	1	
	R113	RK73GB2A103J	CHIP R	10K J 1/10W	1	
	R114	RK73HB1J103J	CHIP R	10K J 1/16W	1	
	R115	RK73GB2A103J	CHIP R	10K J 1/10W	1	
	R117	RK73GB2A123J	CHIP R	12K J 1/10W	1	
	R118	RK73GB2A683J	CHIP R	68K J 1/10W	1	
	R119	RK73GB2A103J	CHIP R	10K J 1/10W	1	
	R120	RK73GB2A104J	CHIP R	100K J 1/10W	1	
	R121	RK73EB2E103J	CHIP R	10K J 1/4W	1	
	R124	RK73HB1J363J	CHIP R	36K J 1/16W	1	
	R125	RK73HB1J104J	CHIP R	100K J 1/16W	1	
	R126	RK73HB1J000J	CHIP R	0.0 J 1/16W	1	
	R202	RK73GB2A102J	CHIP R	1.0K J 1/10W	1	
	R203	RK73GB2A223J	CHIP R	22K J 1/10W	1	
	R204	RK73GB2A104J	CHIP R	100K J 1/10W	1	
	R205	RK73HB1J102J	CHIP R	1.0K J 1/16W	1	
	R206	RK73GB2A100J	CHIP R	10 J 1/10W	1	
	R207	RK73GB2A153J	CHIP R	15K J 1/10W	1	
	R208	RK73GB2A100J	CHIP R	10 J 1/10W	1	
	R209	RK73GB2A153J	CHIP R	15K J 1/10W	1	
	R210	RK73GB2A101J	CHIP R	100 J 1/10W	1	
	R212	RK73GB2A473J	CHIP R	47K J 1/10W	1	
	R216	RK73HB1J104J	CHIP R	100K J 1/16W	1	
	R217	RK73GB2A473J	CHIP R	47K J 1/10W	1	
	R218	RK73GB2A102J	CHIP R	1.0K J 1/10W	1	
	R219	RK73GB2A473J	CHIP R	47K J 1/10W	1	
	R220	RK73HB1J104J	CHIP R	100K J 1/16W	1	
	R222	RK73HB1J101J	CHIP R	100 J 1/16W	1	

MODEL	MARK
KDC-400U	

Safe	Symbol No.	Parts No.	Parts Name	Description	QTY	Local
	R223	RK73HB1J102J	CHIP R	1.0K J 1/16W	1	
	R224	RK73HB1J101J	CHIP R	100 J 1/16W	1	
	R225	RK73HB1J101J	CHIP R	100 J 1/16W	1	
	R226	RK73HB1J223J	CHIP R	22K J 1/16W	1	
	R227	RK73HB1J223J	CHIP R	22K J 1/16W	1	
	R228	RK73GB2A101J	CHIP R	100 J 1/10W	1	
	R229	RK73GB2A101J	CHIP R	100 J 1/10W	1	
	R230	RK73HB1J223J	CHIP R	22K J 1/16W	1	
	R231	RK73HB1J101J	CHIP R	100 J 1/16W	1	
	R232	RK73GB2A102J	CHIP R	1.0K J 1/10W	1	
	R233	RK73HB1J101J	CHIP R	100 J 1/16W	1	
	R234	RK73HB1J102J	CHIP R	1.0K J 1/16W	1	
	R238	RK73EB2E471J	CHIP R	470 J 1/4W	1	
	R239	RK73HB1J104J	CHIP R	100K J 1/16W	1	
	R240	RK73GB2A332J	CHIP R	3.3K J 1/10W	1	
	R241	RK73GB2A332J	CHIP R	3.3K J 1/10W	1	
	R261	RK73GB2A223J	CHIP R	22K J 1/10W	1	
	R262	RK73HB1J223J	CHIP R	22K J 1/16W	1	
	R263	RK73HB1J333J	CHIP R	33K J 1/16W	1	
	R266	RK73GB2A332J	CHIP R	3.3K J 1/10W	1	
	R267	RK73GB2A332J	CHIP R	3.3K J 1/10W	1	
	R271	RK73HB1J101J	CHIP R	100 J 1/16W	1	
	R301	RK73GB2A222J	CHIP R	2.2K J 1/10W	1	
	R302	RK73HB1J101J	CHIP R	100 J 1/16W	1	
	R303	RK73GB2A222J	CHIP R	2.2K J 1/10W	1	
	R304	RK73HB1J101J	CHIP R	100 J 1/16W	1	
	R305	RK73GB2A222J	CHIP R	2.2K J 1/10W	1	
	R306	RK73GB2A222J	CHIP R	2.2K J 1/10W	1	
	R307	RK73HB1J222J	CHIP R	2.2K J 1/16W	1	
	R308	RK73GB2A222J	CHIP R	2.2K J 1/10W	1	
	R309	RK73HB1J101J	CHIP R	100 J 1/16W	1	
	R314	RK73GB2A223J	CHIP R	22K J 1/10W	1	
	R315	RK73GB2A300J	CHIP R	30 J 1/10W	1	
	R316	RK73HB1J473J	CHIP R	47K J 1/16W	1	
	R317	RK73HB1J473J	CHIP R	47K J 1/16W	1	
	R321	RK73GB2A473J	CHIP R	47K J 1/10W	1	
	R323	RK73EB2E102J	CHIP R	1.0K J 1/4W	1	
	R324	RK73EB2E102J	CHIP R	1.0K J 1/4W	1	
	R327	RK73HB1J473J	CHIP R	47K J 1/16W	1	
	R331	RK73EB2E102J	CHIP R	1.0K J 1/4W	1	
	R332	RK73EB2E102J	CHIP R	1.0K J 1/4W	1	
	R333	RK73EB2E222J	CHIP R	2.2K J 1/4W	1	
	R334	RK73EB2E102J	CHIP R	1.0K J 1/4W	1	
	R335	RK73EB2E102J	CHIP R	1.0K J 1/4W	1	
	R336	RK73EB2E102J	CHIP R	1.0K J 1/4W	1	
	R337	RK73GB2A103J	CHIP R	10K J 1/10W	1	
	R338	RK73GB2A103J	CHIP R	10K J 1/10W	1	
	R339	RK73EB2E100J	CHIP R	10 J 1/4W	1	
	R340	RK73EB2E100J	CHIP R	10 J 1/4W	1	
	R341	RK73EB2E4R7J	CHIP R	4.7 J 1/4W	1	
	R342	RK73EB2E102J	CHIP R	1.0K J 1/4W	1	
	R343	RK73GB2A102J	CHIP R	1.0K J 1/10W	1	
	R401	RK73GB2A103J	CHIP R	10K J 1/10W	1	
	R406	RK73GB2A000J	CHIP R	0.0 J 1/10W	1	
	R407	RK73HB1J472J	CHIP R	4.7K J 1/16W	1	
	R501	RK73HB1J221J	CHIP R	220 J 1/16W	1	
	R502	RK73HB1J751J	CHIP R	750 J 1/16W	1	
	R503	RK73HB1J223J	CHIP R	22K J 1/16W	1	
	R510	RK73EB2E000J	CHIP R	0.0 J 1/4W	1	
	R521	RK73HB1J474J	CHIP R	470K J 1/16W	1	
	R522	RK73HB1J474J	CHIP R	470K J 1/16W	1	
	R525	RK73HB1J105J	CHIP R	1.0M J 1/16W	1	
	R526	RK73GB2A330J	CHIP R	33 J 1/10W	1	
	R527	RK73HB1J471J	CHIP R	470 J 1/16W	1	
	R530	RK73HB1J681J	CHIP R	680 J 1/16W	1	
	R534	RK73GB2A473J	CHIP R	47K J 1/10W	1	
	R535	RK73HB1J101J	CHIP R	100 J 1/16W	1	
	R536	RK73HB1J101J	CHIP R	100 J 1/16W	1	
	R548	RK73GB2A332J	CHIP R	3.3K J 1/10W	1	
	R549	RK73GB2A332J	CHIP R	3.3K J 1/10W	1	
	R573	RK73GB2A300J	CHIP R	30 J 1/10W	1	
	R576	RK73GB2A102J	CHIP R	1.0K J 1/10W	1	
	R581	RK73GB2A102J	CHIP R	1.0K J 1/10W	1	
	R601	RK73HB1J102J	CHIP R	1.0K J 1/16W	1	
	R602	RK73GB2A473J	CHIP R	47K J 1/10W	1	
	R604	RK73GB2A102J	CHIP R	1.0K J 1/10W	1	
	R605	RK73HB1J221J	CHIP R	220 J 1/16W	1	
	R607	RK73GB2A473J	CHIP R	47K J 1/10W	1	
	R608	RK73GB2A473J	CHIP R	47K J 1/10W	1	
	R609	RK73GB2A473J	CHIP R	47K J 1/10W	1	
	R611	RK73GB2A221J	CHIP R	220 J 1/10W	1	
	R612	RK73GB2A221J	CHIP R	220 J 1/10W	1	
	R613	RK73GB2A101J	CHIP R	100 J 1/10W	1	
	R616	RK73GB2A102J	CHIP R	1.0K J 1/10W	1	
	R617	RK73GB2A102J	CHIP R	1.0K J 1/10W	1	
	R618	RK73GB2A102J	CHIP R	1.0K J 1/10W	1	
	R621	RK73GB2A221J	CHIP R	220 J 1/10W	1	
	R622	RK73GB2A221J	CHIP R	220 J 1/10W	1	
	R623	RK73GB2A221J	CHIP R	220 J 1/10W	1	
	R624	RK73HB1J473J	CHIP R	47K J 1/16W	1	
	R625	RK73HB1J473J	CHIP R	47K J 1/16W	1	
	R651	RK73EB2E100J	CHIP R	10 J 1/4W	1	

MODEL	MARK
KDC-400U	

Safe	Symbol No.	Parts No.	Parts Name	Description	QTY	Local
	R652	RK73EB2E100J	CHIP R	10 J 1/4W	1	
	R653	RK73EB2E4R7J	CHIP R	4.7 J 1/4W	1	
	R655	RK73HB1J103J	CHIP R	10K J 1/16W	1	
	R656	RK73HB1J103J	CHIP R	10K J 1/16W	1	
	R661	RK73EB2E221J	CHIP R	220 J 1/4W	1	
	R662	RK73EB2E101J	CHIP R	100 J 1/4W	1	
	R663	RK73EB2E221J	CHIP R	220 J 1/4W	1	
	R664	RK73GB2A473J	CHIP R	47K J 1/10W	1	
	R665	RK73HB1J101J	CHIP R	100 J 1/16W	1	
	R701	RK73GB2A331J	CHIP R	330 J 1/10W	1	
	R702	RK73GB2A331J	CHIP R	330 J 1/10W	1	
	R703	RK73GB2A223J	CHIP R	22K J 1/10W	1	
	R704	RK73GB2A223J	CHIP R	22K J 1/10W	1	
	R705	RK73FB2B181J	CHIP R	180 J 1/8W	1	
	R706	RK73FB2B181J	CHIP R	180 J 1/8W	1	
	R707	RK73GB2A331J	CHIP R	330 J 1/10W	1	
	R708	RK73GB2A331J	CHIP R	330 J 1/10W	1	
	R709	RK73GB2A223J	CHIP R	22K J 1/10W	1	
	R710	RK73GB2A223J	CHIP R	22K J 1/10W	1	
	R711	RK73FB2B181J	CHIP R	180 J 1/8W	1	
	R712	RK73FB2B181J	CHIP R	180 J 1/8W	1	
	R713	RK73GB2A331J	CHIP R	330 J 1/10W	1	
	R714	RK73GB2A331J	CHIP R	330 J 1/10W	1	
	R715	RK73GB2A223J	CHIP R	22K J 1/10W	1	
	R716	RK73GB2A223J	CHIP R	22K J 1/10W	1	
	R717	RK73FB2B181J	CHIP R	180 J 1/8W	1	
	R718	RK73FB2B181J	CHIP R	180 J 1/8W	1	
	R801	RK73HB1J473J	CHIP R	47K J 1/16W	1	
	R803	RK73HB1J331J	CHIP R	330 J 1/16W	1	
	R804	RK73GB2A473J	CHIP R	47K J 1/10W	1	
	R805	RK73GB2A622J	CHIP R	6.2K J 1/10W	1	
	R806	RK73GB2A100J	CHIP R	10 J 1/10W	1	
	R807	RK73GB2A102J	CHIP R	1.0K J 1/10W	1	
	R810	RK73GB2A272J	CHIP R	2.7K J 1/10W	1	
△	L1	L33-2459-05	CHOKO COIL ASSY		1	
	L51	L33-2462-05	SMALL FIXED INDUCTOR	22UH	1	
	L52	L92-0639-05	CHIP FERRITE	100MHZ	1	
	L53	L92-0639-05	CHIP FERRITE	100MHZ	1	
	L60	L33-2462-05	SMALL FIXED INDUCTOR	22UH	1	
	L61	L92-0639-05	CHIP FERRITE	100MHZ	1	
	L62	L92-0639-05	CHIP FERRITE	100MHZ	1	
	L302	NQR0682-001X	CHOKO COIL		1	
	L401	L40-4791-58	SMALL FIXED INDUCTOR		1	
	L405	L92-0648-05	CHIP FERRITE	50 OHM	1	
	L500	L92-0609-05	CHIP FERRITE		1	
	L501	L41-1585-60	SMALL FIXED INDUCTOR		1	
	L502	L41-3385-60	SMALL FIXED INDUCTOR		1	
	L511	L92-0331-05	CHIP FERRITE		1	
	L513	L92-0331-05	CHIP FERRITE		1	
	L521	L41-1005-33	SMALL FIXED INDUCTOR	10UH	1	
	L522	L40-4781-86	SMALL FIXED INDUCTOR	0.47UH	1	
	L523	L40-2281-86	SMALL FIXED INDUCTOR	0.22UH	1	
	L524	L40-1891-86	SMALL FIXED INDUCTOR	1.8UH	1	
	L530	L41-4705-33	SMALL FIXED INDUCTOR		1	
	L531	L92-0331-05	CHIP FERRITE		1	
	L550	L41-1095-33	SMALL FIXED INDUCTOR	1UH	1	
	L551	L92-0331-05	CHIP FERRITE		1	
	L553	L92-0331-05	CHIP FERRITE		1	
	L554	L92-0331-05	CHIP FERRITE		1	
	L556	L92-0331-05	CHIP FERRITE		1	
	L560	L92-0331-05	CHIP FERRITE		1	
	L561	L92-0331-05	CHIP FERRITE		1	
	CN301	E41-1828-05	FLAT CABLE CONNECTOR	1MM 30P SIDE	1	
	CP301	RK74HB1J101J	CHIP-COM	100 J 1/16W	1	
△	F1	F53-0406-05	FUSE (UL CSA)	2.5A/125V	1	
	J1	E58-0991-05	RECTANGULAR RECEPTACLE	DC-CN	1	
	J301	E58-1144-05	RECTANGULAR RECEPTACLE	24PIN	1	
	J650	QNZ0907-001	CIR CONNECTOR		1	
	J701	E63-0972-05	PIN JACK	3PRE	1	
	S301	S70-0959-05	TACT SWITCH		1	
	TH801	PRF 18BE471QS2	POSITIVE RESISTOR	PB-FREE	1	
	W500	E30-6601-05	CORD WITH PLUG		1	
	W501	R92-2053-05	CHIP R	0 OHM J 1/8W	1	
	X201	L77-3846-05	CRYSTAL RESONATOR	12MHZ	1	
	X202	L77-2921-15	CRYSTAL RESONATOR	32.768KHZ 12.5PF	1	
	X501	NAX1117-001X	CRYSTAL		1	
	SWITCH UNIT (X16-7250-11) <X16>					
	IC1	W10-0743-08	MICROCONTROLLER IC		1	

MODEL	MARK
KDC-400U	

Safe	Symbol No.	Parts No.	Parts Name	Description	QTY	Local
	IC3	PIC95603	ANALOGUE IC		1	
	Q1	LTC023JUBFS8	TRANSISTOR	R2/R1:47K/2.2K NPN	1	
	Q2	LTC023JUBFS8	TRANSISTOR	R2/R1:47K/2.2K NPN	1	
	Q3	LTC023JUBFS8	TRANSISTOR	R2/R1:47K/2.2K NPN	1	
	Q4	LTC023JUBFS8	TRANSISTOR	R2/R1:47K/2.2K NPN	1	
	Q5	LTC023JUBFS8	TRANSISTOR	R2/R1:47K/2.2K NPN	1	
	Q6	LTC023JUBFS8	TRANSISTOR	R2/R1:47K/2.2K NPN	1	
	Q7	LTC023JUBFS8	TRANSISTOR	R2/R1:47K/2.2K NPN	1	
	Q8	LTC023JUBFS8	TRANSISTOR	R2/R1:47K/2.2K NPN	1	
	Q9	LTC023JUBFS8	TRANSISTOR	R2/R1:47K/2.2K NPN	1	
	Q10	LTC023JUBFS8	TRANSISTOR	R2/R1:47K/2.2K NPN	1	
	Q11	LTC023JUBFS8	TRANSISTOR	R2/R1:47K/2.2K NPN	1	
	Q12	LTC023JUBFS8	TRANSISTOR	R2/R1:47K/2.2K NPN	1	
	Q13	LTC043ZUBFS8	TRANSISTOR	R2/R1:47K/4.7K NPN	1	
	Q14	LTC043ZUBFS8	TRANSISTOR	R2/R1:47K/4.7K NPN	1	
	D1	NSSM065T-X	LED		1	
	D2	NSSM065T-X	LED		1	
	D4	NSSM065T-X	LED		1	
	D5	NSSM065T-X	LED		1	
	D6	NSSM065T-X	LED		1	
	D10	B30-1779-05	LED (1608 SR)		1	
	D11	B30-1779-05	LED (1608 SR)		1	
	D12	NSSM065T-X	LED		1	
	D109	HZM6.8ZMWA-E	ZENER DIODE	6.8V	1	
	D110	MC2850-T111	DIODE		1	
	C1	CK73HB0J105K	CHIP C	6.3V 1.0UF K	1	
	C2	CK73HB1E103K	CHIP C	25V 0.010UF K	1	
	C3	CK73HB1E103K	CHIP C	25V 0.010UF K	1	
	C4	CK73GB1H103K	CHIP C	50V 0.010UF K	1	
	C5	CK73GB0J225K	CHIP C	6.3V 2.2UF K	1	
	C7	CK73FB1C105K	CHIP C	16V 1.0UF K	1	
	C9	CK73GB1A105K	CHIP C	10V 1.0UF K	1	
	C11	CK73GB1A105K	CHIP C	10V 1.0UF K	1	
	C13	CK73HB0J105K	CHIP C	6.3V 1.0UF K	1	
	C14	CK73HB0J105K	CHIP C	6.3V 1.0UF K	1	
	C15	CK73GB1A105K	CHIP C	10V 1.0UF K	1	
	C16	CK73GB1A105K	CHIP C	10V 1.0UF K	1	
	C17	CK73FB1C105K	CHIP C	16V 1.0UF K	1	
	C18	CK73FB1C105K	CHIP C	16V 1.0UF K	1	
	C19	CK73HB1H472K	CHIP C	50V 4700PF K	1	
	C20	CK73GB1H472K	CHIP C	50V 4700PF K	1	
	C101	CK73EB1C106K	CHIP C	16V 10UF K	1	
	C102	CC73GCH1H101J	CHIP C	50V 100PF J	1	
	C103	CC73GCH1H101J	CHIP C	50V 100PF J	1	
	C104	CK73GB1H103K	CHIP C	50V 0.010UF K	1	
	C106	CK73GB1H102K	CHIP C	50V 1000PF K	1	
	C107	CK73GB1H102K	CHIP C	50V 1000PF K	1	
	C108	CK73GB1H103K	CHIP C	50V 0.010UF K	1	
	R1	RK73EB2E431J	CHIP R	430 J 1/4W	1	
	R2	RK73EB2E201J	CHIP R	200 J 1/4W	1	
	R3	RK73EB2E391J	CHIP R	390 J 1/4W	1	
	R4	RK73EB2E751J	CHIP R	750 J 1/4W	1	
	R5	RK73EB2E361J	CHIP R	360 J 1/4W	1	
	R6	RK73EB2E561J	CHIP R	560 J 1/4W	1	
	R7	RK73EB2E751J	CHIP R	750 J 1/4W	1	
	R8	RK73EB2E361J	CHIP R	360 J 1/4W	1	
	R9	RK73EB2E561J	CHIP R	560 J 1/4W	1	
	R10	RK73EB2E751J	CHIP R	750 J 1/4W	1	
	R11	RK73EB2E361J	CHIP R	360 J 1/4W	1	
	R12	RK73EB2E561J	CHIP R	560 J 1/4W	1	
	R13	RK73EB2E181J	CHIP R	180 J 1/4W	1	
	R14	RK73EB2E121J	CHIP R	120 J 1/4W	1	
	R15	RK73EB2E511J	CHIP R	510 J 1/4W	1	
	R16	RK73EB2E821J	CHIP R	820 J 1/4W	1	
	R17	RK73EB2E821J	CHIP R	820 J 1/4W	1	
	R18	RK73EB2E181J	CHIP R	180 J 1/4W	1	
	R19	RK73EB2E121J	CHIP R	120 J 1/4W	1	
	R21	RK73HB1J102J	CHIP R	1.0K J 1/16W	1	
	R22	RK73GB2A473J	CHIP R	47K J 1/10W	1	
	R23	RK73GB2A102J	CHIP R	1.0K J 1/10W	1	
	R24	RK73GB2A103J	CHIP R	10K J 1/10W	1	
	R25	RK73HB1J102J	CHIP R	1.0K J 1/16W	1	
	R26	RK73HB1J104J	CHIP R	100K J 1/16W	1	
	R33	RK73HB1J101J	CHIP R	100 J 1/16W	1	
	R35	RK73HB1J101J	CHIP R	100 J 1/16W	1	
	R44	RK73HB1J220J	CHIP R	22 J 1/16W	1	
	R45	RK73HB1J220J	CHIP R	22 J 1/16W	1	
	R111	RK73GB2A105J	CHIP R	1.0M J 1/10W	1	
	R120	RK73EB2E000J	CHIP R	0.0 J 1/4W	1	
	R121	RK73HB1J102J	CHIP R	1.0K J 1/16W	1	
	CN3	E41-3246-05	FLAT CABLE CONNECTOR	18PIN	1	
	CP3	RK74HB1J101J	CHIP-COM	100 J 1/16W	1	
	CP4	RK74HB1J332J	CHIP-COM	3.3K J 1/16W	1	
	CP5	RK74HB1J102J	CHIP-COM	1.0K J 1/16W	1	
	CP6	RK74HB1J102J	CHIP-COM	1.0K J 1/16W	1	
	CP7	RK74HB1J102J	CHIP-COM	1.0K J 1/16W	1	
	CP8	RK74HB1J223J	CHIP-COM	22K J 1/16W	1	
	CP9	RK74HB1J223J	CHIP-COM	22K J 1/16W	1	
	CP10	RK74HB1J223J	CHIP-COM	22K J 1/16W	1	
	CP11	RK74HB1J102J	CHIP-COM	1.0K J 1/16W	1	
	CP12	RK74HB1J473J	CHIP-COM	47K J 1/16W	1	
	J1	E59-0864-05	RECTANGULAR PLUG	24PIN	1	

MODEL	MARK
KDC-400U	

Safe	Symbol No.	Parts No.	Parts Name	Description	QTY	Local
	J2	QNZ1057-001	USB CONNECTOR		1	
	J4	QNS0308-001	3.5 JACK		1	
	S1	S70-0960-05	TACT SWITCH	2.5MM/1.76N	1	
	S2	S70-0960-05	TACT SWITCH	2.5MM/1.76N	1	
	S3	S70-0960-05	TACT SWITCH	2.5MM/1.76N	1	
	S4	S70-0960-05	TACT SWITCH	2.5MM/1.76N	1	
	S5	S70-0960-05	TACT SWITCH	2.5MM/1.76N	1	
	S6	S70-0960-05	TACT SWITCH	2.5MM/1.76N	1	
	S7	S70-0960-05	TACT SWITCH	2.5MM/1.76N	1	
	S8	S70-0960-05	TACT SWITCH	2.5MM/1.76N	1	
	S9	S70-0965-05	TACT SWITCH	7COMMAND	1	
	X1	L78-1409-05	RESONATOR	8MHZ	1	
CD PLAYER UNIT (X32-6250-02) IN CD MECHA <X32>						
	IC3	BD8222EFV	ANALOGUE IC		1	
	IC4	JCV8023	INTEGRATED CIRCUIT (MOS-IC)		1	
	IC5	XC6415S001P1	MOS-IC		1	
	Q1	2SA2188-T1(E)	TRANSISTOR		1	
	Q14	RUE003N02	FET		1	
	D2	DAP202U	DIODE		1	
	D3	DA204U	DIODE		1	
	D4	DA204U	DIODE		1	
	C1	CK73FB0J106K	CHIP C	6.3V 10UF K	1	
	C3	CC73GCH1H680J	CHIP C	50V 68PF J	1	
	C4	CK73GB1A105K	CHIP C	10V 1.0UF K	1	
	C6	CK73FB1C105K	CHIP C	16V 1.0UF K	1	
	C8	CK73GB1H222K	CHIP C	50V 2200PF K	1	
	C9	CK73GB1C104K	CHIP C	16V 0.10UF K	1	
	C10	CK73GB1C104K	CHIP C	16V 0.10UF K	1	
	C11	CK73GB1H153K	CHIP C	50V 0.015UF K	1	
	C12	CK73GB1C104K	CHIP C	16V 0.10UF K	1	
	C13	CK73GB1H332K	CHIP C	50V 3300PF K	1	
	C14	CK73GB1H103K	CHIP C	50V 0.010UF K	1	
	C15	CK73GB1C333K	CHIP C	16V 0.033UF K	1	
	C16	CK73GB1C104K	CHIP C	16V 0.10UF K	1	
	C18	CK73GB1H153K	CHIP C	50V 0.015UF K	1	
	C19	CK73GB1H103K	CHIP C	50V 0.010UF K	1	
	C20	CK73GB1C104K	CHIP C	16V 0.10UF K	1	
	C22	CK73GB1H103K	CHIP C	50V 0.010UF K	1	
	C23	CK73GB1H153K	CHIP C	50V 0.015UF K	1	
	C24	CC73GCH1H470J	CHIP C	50V 47PF J	1	
	C25	CK73GB1C104K	CHIP C	16V 0.10UF K	1	
	C26	CK73GB1A105K	CHIP C	10V 1.0UF K	1	
	C27	CK73GB1C104K	CHIP C	16V 0.10UF K	1	
	C29	CK73GB1C104K	CHIP C	16V 0.10UF K	1	
	C30	CK73GB1C104K	CHIP C	16V 0.10UF K	1	
	C31	CK73GB1A105K	CHIP C	10V 1.0UF K	1	
	C36	CK73GB1A105K	CHIP C	10V 1.0UF K	1	
	C41	CK73GB1C104K	CHIP C	16V 0.10UF K	1	
	C42	CK73GB1C104K	CHIP C	16V 0.10UF K	1	
	C43	CK73GB1H102K	CHIP C	50V 1000PF K	1	
	C44	CK73GB1H102K	CHIP C	50V 1000PF K	1	
	C45	CK73GB1H103K	CHIP C	50V 0.010UF K	1	
	C46	CK73GB1A105K	CHIP C	10V 1.0UF K	1	
	C47	CC73GCH1H560J	CHIP C	50V 56PF J	1	
	C48	CC73GCH1H101J	CHIP C	50V 100PF J	1	
	C49	CK73GB1A105K	CHIP C	10V 1.0UF K	1	
	C50	CK73FB1A225K	CHIP C	10V 2.2UF K	1	
	C51	CK73FB0J106K	CHIP C	6.3V 10UF K	1	
	C54	CK73FB0J106K	CHIP C	6.3V 10UF K	1	
	C57	CK73GB1C104K	CHIP C	16V 0.10UF K	1	
	C59	CK73GB1H472K	CHIP C	50V 4700PF K	1	
	C61	CK73GB1C104K	CHIP C	16V 0.10UF K	1	
	C101	CK73GB1A105K	CHIP C	10V 1.0UF K	1	
	C103	CK73GB1C104K	CHIP C	16V 0.10UF K	1	
	R1	RK73GB2A560J	CHIP R	56 J 1/10W	1	
	R2	RK73GB2A472J	CHIP R	4.7K J 1/10W	1	
	R3	RK73GB2A4R7J	CHIP R	4.7 J 1/10W	1	
	R4	RK73GB2A104J	CHIP R	100K J 1/10W	1	
	R5	RK73GB2A225J	CHIP R	2.2M J 1/10W	1	
	R6	RK73GB2A102J	CHIP R	1.0K J 1/10W	1	
	R7	RK73GB2A221J	CHIP R	220 J 1/10W	1	
	R8	RK73GB2A622J	CHIP R	6.2K J 1/10W	1	
	R9	RK73GB2A913J	CHIP R	91K J 1/10W	1	
	R10	RK73GB2A334J	CHIP R	330K J 1/10W	1	
	R11	RK73GB2A153J	CHIP R	15K J 1/10W	1	
	R13	RK73GB2A104J	CHIP R	100K J 1/10W	1	
	R14	RK73GB2A103J	CHIP R	10K J 1/10W	1	
	R15	RK73GB2A101J	CHIP R	100 J 1/10W	1	
	R17	RK73GB2A103J	CHIP R	10K J 1/10W	1	
	R18	RK73GB2A103J	CHIP R	10K J 1/10W	1	
	R25	RK73GB2A103J	CHIP R	10K J 1/10W	1	
	R27	RK73EB2E4R7J	CHIP R	4.7 J 1/4W	1	
	R39	RK73GB2A105J	CHIP R	1.0M J 1/10W	1	
	R40	RK73GB2A681J	CHIP R	680 J 1/10W	1	
	R43	RK73GB2A4R7J	CHIP R	4.7 J 1/10W	1	
	R44	RK73GB2A4R7J	CHIP R	4.7 J 1/10W	1	
	R49	RK73GB2A393J	CHIP R	39K J 1/10W	1	
	R50	RK73GB2A363J	CHIP R	36K J 1/10W	1	
	R51	RK73GB2A102J	CHIP R	1.0K J 1/10W	1	
	R52	RK73GB2A101J	CHIP R	100 J 1/10W	1	
	R53	RK73GB2A101J	CHIP R	100 J 1/10W	1	

MODEL	MARK
KDC-400U	

Safe	Symbol No.	Parts No.	Parts Name	Description	QTY	Local
R54		RK73GB2A101J	CHIP R	100 J 1/10W	1	
R55		RK73GB2A101J	CHIP R	100 J 1/10W	1	
R56		RK73GB2A101J	CHIP R	100 J 1/10W	1	
R57		RK73GB2A101J	CHIP R	100 J 1/10W	1	
R58		RK73GB2A101J	CHIP R	100 J 1/10W	1	
R59		RK73GB2A204J	CHIP R	200K J 1/10W	1	
R64		RK73GB2A223J	CHIP R	22K J 1/10W	1	
R65		RK73GB2A333J	CHIP R	33K J 1/10W	1	
R69		RK73GB2A101J	CHIP R	100 J 1/10W	1	
R70		RK73GB2A101J	CHIP R	100 J 1/10W	1	
R71		RK73GB2A101J	CHIP R	100 J 1/10W	1	
R72		RK73GB2A101J	CHIP R	100 J 1/10W	1	
R73		RK73GB2A101J	CHIP R	100 J 1/10W	1	
R74		RK73GB2A103J	CHIP R	10K J 1/10W	1	
R75		RK73GB2A103J	CHIP R	10K J 1/10W	1	
R76		RK73GB2A202J	CHIP R	2.0K J 1/10W	1	
R102		RK73GB2A102J	CHIP R	1.0K J 1/10W	1	
CN1		E41-2954-05	FLAT CABLE CONNECTOR	15P/0.5MM	1	
CN2		E41-2630-05	FLAT CABLE CONNECTOR	30P/1.00MM	1	
CP7		RK74GB1J103J	CHIP-COM	10K J 1/16W	1	
S1		S68-0863-05	PUSH SWITCH		1	
S2		S68-0863-05	PUSH SWITCH		1	
X1		L78-1221-05	RESONATOR	16.93MHZ	1	