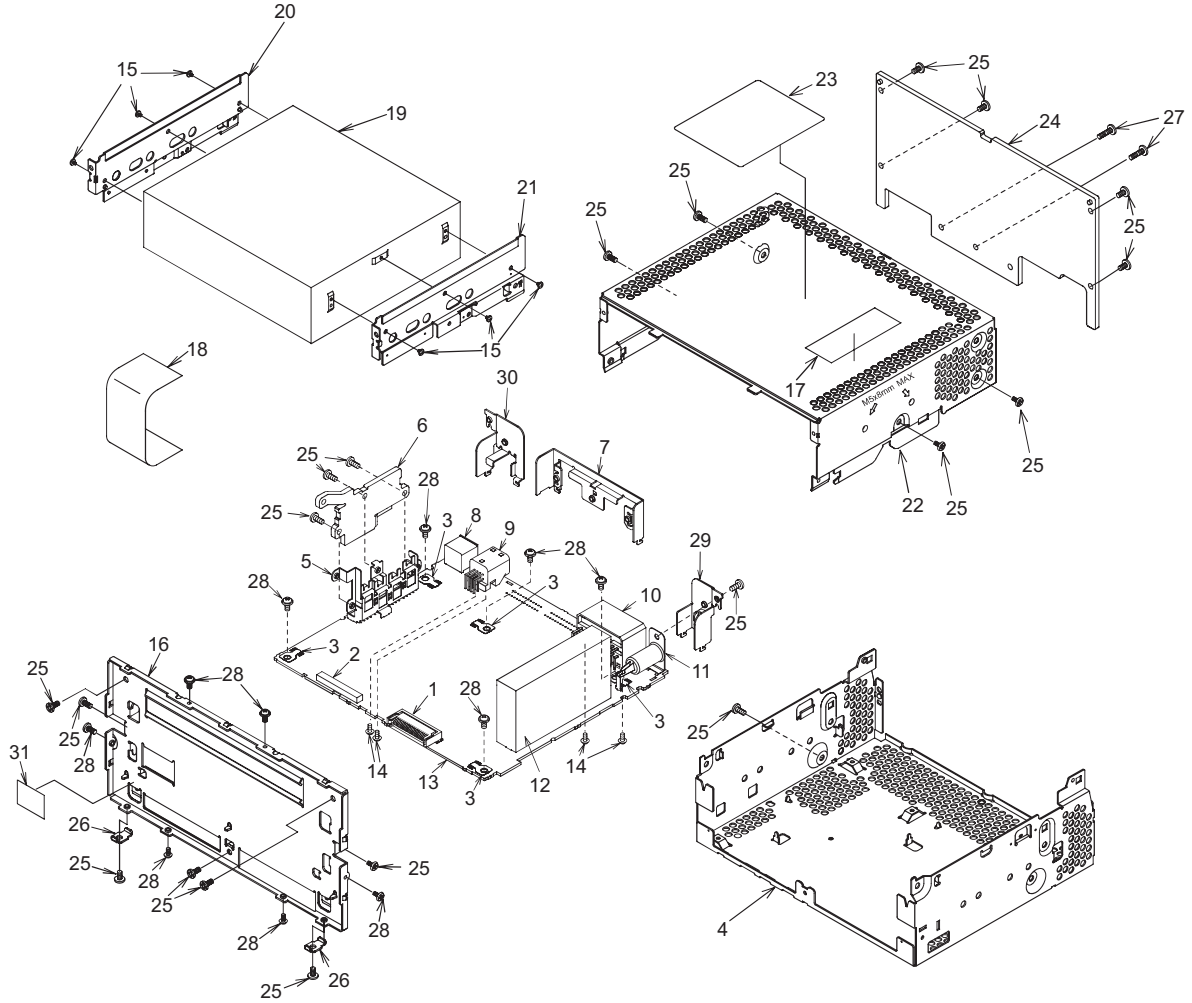


# EXPLODED VIEW/PARTS LIST

## Main section



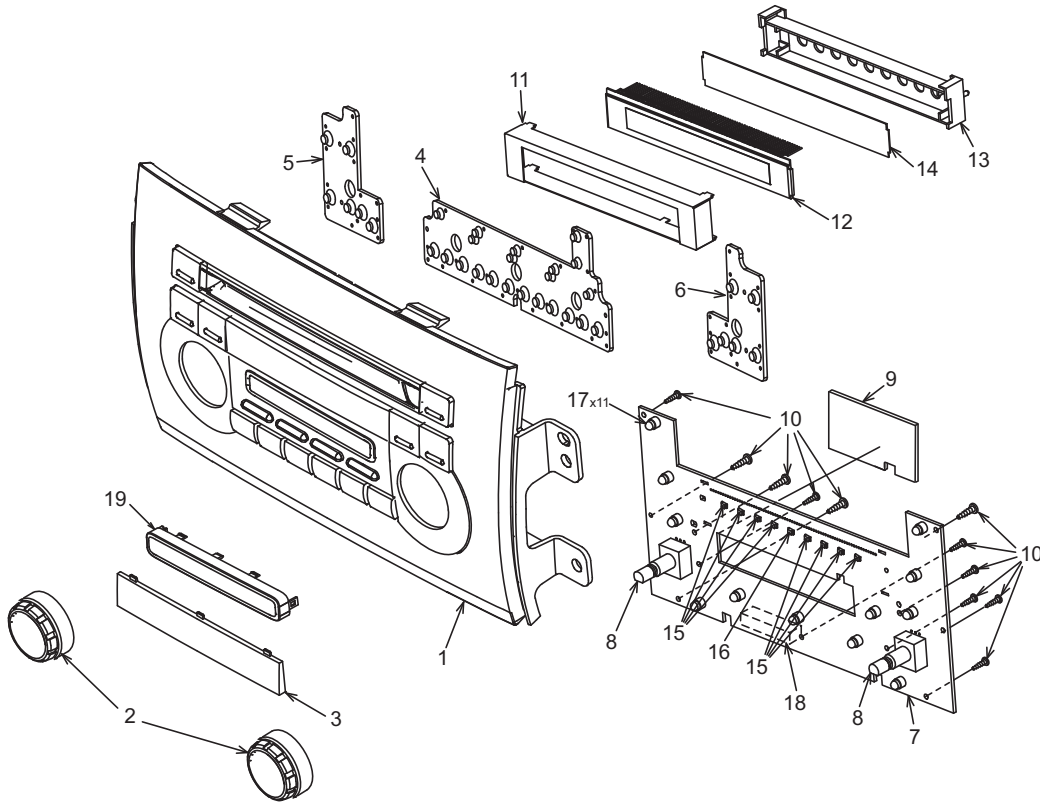
\* Clamping torque value of a screw is 0.4 +0.08/-0.08 Newton meter.

\* The part number of TUNER PACK and SETPLATE is different in each model.

NO.	PART NO.	DESCRIPTION	Q'TY
1	076-3011-74	PLUG(24P)	1
2	074-1237-69	OUTLET SOCKET	1
3	073-0762-90	TERMINAL	5
4	311-1919-75	LOWER CASE	1
5	331-4126-00	TR HOLDER	1
6	313-1966-00	SUB HEAT SINK	1
7	331-4548-00	IC HOLDER	1
8	074-1194-00	SOCKET (13P Ce-NET)	1
9	074-1302-08	SOCKET (8P)	1
10	074-4007-20	SOCKET (20P)	1
11	092-0702-00	ANT-RECEPT	1
12	941-0215-80 941-0221-80	TUNER PACK (PS-3141K-A) TUNER PACK (PS-3141K-B)	1 1
13	-----	Main PWB	1
14	778-3006-00	TAP-SCREW(3x6)	4
15	716-3552-00	IT SCREW(M2.3x2.5)	6
16	309-0819-11	ES PLATE	1

NO.	PART NO.	DESCRIPTION	Q'TY
17	285-1960-00	GUIDE LABEL	1
18	816-4055-50	FLAT WIRE	1
19	929-0420-80	CD-MECH-MODULE	1
20	331-4091-10	CD BRKT(L)	1
21	331-4092-10	CD BRKT(R)	1
22	310-1826-10	UPPER CASE	1
23	286-6186-37 286-6186-38	SETPLATE (PS-3141K-A) SETPLATE (PS-3141K-B)	1 1
24	313-1962-00	HEAT SINK	1
25	714-2606-8B	MACHINE SCREW(M2.6x6)	20
26	331-4193-20	SU-PLATE	2
27	714-2610-89	MACHINE SCREW(M2.6x10)	2
28	716-0878-50	IT SCREW(M2.6x5)	11
29	331-4549-00	ANT HOLDER	1
30	331-4547-00	SOCKET HOLDER	1
31	347-8651-00	PROTECTOR	1

Escutcheon section



\* Clamping torque value of a screw is 0.2 +0.04/-0.04 Newton meter.

NO.	PART NO.	DESCRIPTION	Q'TY
1	940-8120-43	ESCUTCHEON ASSY	1
2	947-0602-00	KNOB ASSY	2
3	371-5854-00	DIAL COVER	1
4	345-5589-00	RUBBER SW (CENTER)	1
5	345-5590-00	RUBBER SW (LEFT)	1
6	345-5591-00	RUBBER SW (RIGHT)	1
7	-----	Switch PWB	1
8	016-0014-12	VR W/SHAFT	2
9	345-6272-00	PROTECTOR	1
10	716-0778-51	P-TITE SCREW (2x6)	11

NO.	PART NO.	DESCRIPTION	Q'TY
11	331-4264-00	LCD COVER	1
12	379-1363-51	INDICATOR (LCD)	1
13	335-7705-00	LCD HOLDER	1
14	335-7929-00	COLOR FILTER	1
15	001-7094-91	DIODE (VFR1112H RED)	8
16	001-7087-90	DIODE (RBR1112H C,D,E RED)	1
17	017-0420-43	PL LAMP (14V 40mA RED)	11
18	074-3013-74	SOCKET (24P)	1
19	335-7356-30	MD COVER	1

ELECTRICAL PARTS LIST

Main PWB section (B1)

REF No.	PART No.	DESCRIPTION	REF No.	PART No.	DESCRIPTION	REF No.	PART No.	DESCRIPTION
ANT101	092-0702-50	ANT-RECEPT	C123	168-1042-78	16V 0.1uF	C157	168-2232-55	0.022uF K
BL101	941-0215-80	TUNER PACK	C124	042-1458-90	50V 1uF LN	C158	166-8211-50	820pF
		(PS-3141K-A)	C125	166-1501-50	15pF CH	C159	168-1032-55	0.01uF K
	941-0221-80	TUNER PACK	C126	166-1011-50	100pF CH	C160	168-1042-78	16V 0.1uF
		(PS-3141K-B)	C127	166-1011-50	100pF CH	C161	188-4763-18	6.3V 47uF
C101	168-1022-55	1000pF K	C128	166-1011-50	100pF CH	C162	168-1042-78	16V 0.1uF
C103	168-1022-55	1000pF K	C129	166-1011-50	100pF CH	C163	166-5611-50	560pF CH
C104	188-1073-28	10V 100uF	C130	168-2232-55	0.022uF K	C164	168-1032-55	0.01uF K
C105	168-1042-78	16V 0.1uF	C131	188-4763-38	16V 47uF	C165	166-5601-50	56pF CH
C106	168-1042-78	16V 0.1uF	C132	166-1811-50	180pF CH	C166	166-3311-50	330pF CH
C107	188-1073-28	10V 100uF	C133	168-1042-78	16V 0.1uF	C167	188-2253-68	50V 2.2uF
C108	168-1042-78	16V 0.1uF	C151	188-3363-27	10V 33uF	C168	166-5601-50	56pF CH
C109	168-2232-55	0.022uF K	C152	178-1052-78	1uF	C169	168-1822-55	1800pF K
C112	168-4745-79	0.47uF Z	C153	188-4753-57	35V 4.7uF	C170	168-8222-55	8200pF K
C113	168-6832-78	0.068uF K	C154	168-1042-78	16V 0.1uF	C171	168-2232-55	0.022uF K
C114	168-6832-78	0.068uF K	C155	168-2232-55	0.022uF K	C212	188-4763-38	16V 47uF
C121	166-1501-50	15pF CH	C156	166-6811-50	680pF	C222	168-1042-78	16V 0.1uF

Note) Several different parts of the same reference number are alternative parts.  
One of those parts is used in the set.

REF No.	PART No.	DESCRIPTION	REF No.	PART No.	DESCRIPTION	REF No.	PART No.	DESCRIPTION
C241	168-2232-55	0.022uF K	C513	189-1073-29	10V 100uF	Q151	125-2032-92	RN1302
C243	188-4763-38	16V 47uF	C514	168-1042-78	16V 0.1uF	Q151	125-2041-92	RT1N141M
C244	168-1042-78	16V 0.1uF	C515	166-1011-50	100pF CH	Q152	192-4116-51	2SC4116 G,L
C245	168-1042-78	16V 0.1uF	C516	188-1063-38	16V 10uF	Q152	192-4155-51	2SC4155A S,T
C274	189-2273-29	10V 220uF	C517	042-0559-00	5.5V 0.1F	Q152	193-1819-50	2SD1819 AR,SL
C276	043-0328-90	0.1uF	C722	168-1042-78	16V 0.1uF	Q153	125-0021-91	DTA114EUA
C301	178-1052-78	1uF	C731	172-1041-15	0.1uF	Q153	125-0025-92	RN2302
C302	178-1052-78	1uF	C732	188-1053-68	50V 1uF	Q153	125-0034-92	RT1P141M
C305	178-1052-78	1uF	C741	043-0328-90	0.1uF	Q154	125-2027-91	DTC114EUA
C306	178-1052-78	1uF	C744	188-1073-28	10V 100uF	Q154	125-2032-92	RN1302
C309	168-1832-55	0.018uF K	C761	188-1063-38	16V 10uF	Q154	125-2041-92	RT1N141M
C310	168-1832-55	0.018uF K	C762	188-1063-38	16V 10uF	Q155	198-0669-00	2SK669
C311	188-2253-68	50V 2.2uF	C771	188-1073-28	10V 100uF	Q156	125-0021-91	DTA114EUA
C312	188-2253-68	50V 2.2uF	C772	188-1063-38	16V 10uF	Q156	125-0025-92	RN2302
C313	188-2253-68	50V 2.2uF	C773	168-1042-78	16V 0.1uF	Q156	125-0034-92	RT1P141M
C314	188-2253-68	50V 2.2uF	C774	178-4755-79	4.7uF	Q157	125-2027-91	DTC114EUA
C318	168-1522-55	1500pF K	C811	172-1041-15	0.1uF	Q157	125-2032-92	RN1302
C319	168-1522-55	1500pF K	C821	188-1063-38	16V 10uF	Q157	125-2041-92	RT1N141M
C334	166-4711-50	470pF CH	CCT501	050-0140-54	1/32W 1k ohm x4J	Q158	125-2027-91	DTC114EUA
C335	166-4711-50	470pF CH	CCT504	050-0140-54	1/32W 1k ohm x4J	Q158	125-2032-92	RN1302
C346	188-1073-28	10V 100uF	CCT505	050-0140-54	1/32W 1k ohm x4J	Q158	125-2041-92	RT1N141M
C352	168-1042-78	16V 0.1uF	D101	001-0535-90	MA729	Q159	125-2038-92	RN1902
C353	042-1562-65	10V 220uF	D151	001-0580-90	1SS352	Q241	125-0021-91	DTA114EUA
C354	166-2201-50	22pF CH	D152	001-0580-90	1SS352	Q241	125-0025-92	RN2302
C355	166-2201-50	22pF CH	D391	001-0580-90	1SS352	Q241	125-0034-92	RT1P141M
C356	166-1007-50	10pF CH	D504	001-0580-90	1SS352	Q242	125-2027-91	DTC114EUA
C357	166-1007-50	10pF CH	D505	001-0580-90	1SS352	Q242	125-2032-92	RN1302
C358	188-1063-38	16V 10uF	D506	001-2403-90	M1F60	Q242	125-2041-92	RT1N141M
C359	188-1063-38	16V 10uF	D507	001-4301-25	HZU4.7B1	Q243	193-0601-00	2SD601A
C360	188-1063-38	16V 10uF	D508	001-0466-90	S5688B	Q244	192-4116-51	2SC4116 G,L
C361	188-1063-38	16V 10uF	D509	001-0504-36	HZS7 A1L	Q244	192-4155-51	2SC4155A S,T
C391	168-1042-78	16V 0.1uF	D701	001-0424-31	MA4180	Q244	193-1819-50	2SD1819 AR,SL
C392	168-1042-78	16V 0.1uF	D702	001-0424-31	MA4180	Q245	125-2027-91	DTC114EUA
C393	168-1042-78	16V 0.1uF	D703	001-0424-31	MA4180	Q245	125-2032-92	RN1302
C394	168-1042-78	16V 0.1uF	D711	001-0466-90	S5688B	Q245	125-2041-92	RT1N141M
C395	168-1032-55	0.01uF K	D712	001-0466-90	S5688B	Q246	125-0021-91	DTA114EUA
C396	163-1053-65	50V 1uF	D731	001-0466-90	S5688B	Q246	125-0025-92	RN2302
C397	042-1624-00	16V 4700uF	D761	001-0504-39	HZS7 B2L	Q246	125-0034-92	RT1P141M
C398	163-1063-35	16V 10uF	D771	001-0347-43	MA4082L	Q247	125-2027-91	DTC114EUA
C399	163-1053-65	50V 1uF	D772	001-0347-24	MA4043H	Q247	125-2032-92	RN1302
C400	166-2201-50	22pF CH	D801	001-0592-00	RM4Z	Q247	125-2041-92	RT1N141M
C401	166-3911-50	390pF CH	D851	001-4301-68	HZU18B1	Q248	198-3018-00	2SK3018
C402	043-0570-90	16V 2.2uF K	IC121	051-6201-90	LC72146M	Q249	198-3018-00	2SK3018
C403	168-5632-78	16V 0.056uF	IC151	051-3034-90	NJM4558V	Q391	125-2027-93	DTC144EUA
C404	043-0570-90	16V 2.2uF K	IC152	051-4607-90	SAA6581T	Q502	190-2071-00	2SA2071 T100
C405	188-1063-38	16V 10uF	IC241	051-3367-90	NJU7780U1-33-TE2	Q503	192-4116-51	2SC4116 G,L
C406	188-1073-28	10V 100uF	IC272	051-3334-00	NJM2396F09	Q503	192-4155-51	2SC4155A S,T
C407	168-1042-78	16V 0.1uF	IC351	051-3034-90	NJM4558V	Q503	193-1819-50	2SD1819 AR,SL
C408	166-3911-50	390pF CH	IC391	051-2040-00	TA8276H	Q504	192-4116-51	2SC4116 G,L
C409	043-0570-90	16V 2.2uF K	IC401	051-5046-90	CL7639V20	Q504	192-4155-51	2SC4155A S,T
C410	168-5632-78	16V 0.056uF	IC501	052-3220-10	E30624MGP-E48GP	Q504	193-1819-50	2SD1819 AR,SL
C411	043-0570-90	16V 2.2uF K	IC502	051-0869-58	NJM2103M	Q505	192-4116-51	2SC4116 G,L
C412	168-1042-78	16V 0.1uF	IC503	051-9402-68	BR93L56F-W	Q505	192-4155-51	2SC4155A S,T
C417	178-4742-78	0.47uF	IC504	051-6600-58	HA12187FP	Q505	193-1819-50	2SD1819 AR,SL
C418	168-4722-55	4700pF K	IC741	051-3369-00	NJM2388F84	Q506	193-2118-50	2SD2118F5 R,S
C419	178-4742-78	0.47uF	J241	074-1237-69	19PIN	Q701	192-4116-51	2SC4116 G,L
C420	168-4722-55	4700pF K	J701	074-1194-00	13P CE-NET	Q701	192-4155-51	2SC4155A S,T
C421	178-4742-78	0.47uF	J721	074-1302-08	TH8P-SOCKET	Q701	193-1819-50	2SD1819 AR,SL
C422	168-4722-55	4700pF K	J801	074-4007-20	20P	Q711	190-2071-00	2SA2071 T100
C423	178-4742-78	0.47uF	L101	010-2003-04	30uH	Q712	192-4116-51	2SC4116 G,L
C424	168-4722-55	4700pF K	L102	010-6009-76	22uH J	Q712	192-4155-51	2SC4155A S,T
C501	168-1042-78	16V 0.1uF	L103	010-6009-76	22uH J	Q712	193-1819-50	2SD1819 AR,SL
C502	188-4763-18	6.3V 47uF	L121	010-6009-76	22uH J	Q761	192-5810-00	2SC5810 TE12L
C503	168-1032-55	0.01uF K	L151	010-6027-00	220uH	Q762	125-0021-91	DTA114EUA
C504	168-1032-55	0.01uF K	L501	010-6009-76	22uH J	Q762	125-0025-92	RN2302
C505	168-1032-55	0.01uF K	L502	010-6009-76	22uH J	Q762	125-0034-92	RT1P141M
C506	168-1042-78	16V 0.1uF	L801	010-8026-00	210uH	Q763	125-2027-91	DTC114EUA
C507	188-1053-68	50V 1uF	P501	076-3011-74	24P	Q763	125-2032-92	RN1302
C509	168-1022-55	1000pF K	Q121	191-1197-50	2SB1197K Q,R	Q763	125-2041-92	RT1N141M
C510	168-1022-55	1000pF K	Q122	191-1197-50	2SB1197K Q,R	Q771	192-5886-00	2SC5886
C511	168-1042-78	16V 0.1uF	Q123	191-1197-50	2SB1197K Q,R	Q772	192-4116-51	2SC4116 G,L
C512	168-1032-55	0.01uF K	Q151	125-2027-91	DTC114EUA	Q772	192-4155-51	2SC4155A S,T

Note) Several different parts of the same reference number are alternative parts.  
One of those parts is used in the set.

REF No.	PART No.	DESCRIPTION	REF No.	PART No.	DESCRIPTION	REF No.	PART No.	DESCRIPTION
Q772	193-1819-50	2SD1819 AR,SL	R250	119-3331-15	1/10W 33k ohm	R537	119-1031-15	1/10W 10k ohm
Q773	192-4116-51	2SC4116 G,L	R253	119-4731-15	1/10W 47k ohm	R538	119-1031-15	1/10W 10k ohm
Q773	192-4155-51	2SC4155A S,T	R255	119-3331-15	1/10W 33k ohm	R539	119-1031-15	1/10W 10k ohm
Q773	193-1819-50	2SD1819 AR,SL	R256	119-0000-05	1/10W 0 ohm JW	R540	119-4731-15	1/10W 47k ohm
Q774	192-4116-51	2SC4116 G,L	R258	119-4731-15	1/10W 47k ohm	R541	119-5621-15	1/10W 5.6k ohm
Q774	192-4155-51	2SC4155A S,T	R271	119-4731-15	1/10W 47k ohm	R542	119-2231-15	1/10W 22k ohm
Q774	193-1819-50	2SD1819 AR,SL	R276	119-0000-05	1/10W 0 ohm JW	R544	119-4731-15	1/10W 47k ohm
Q775	192-4116-51	2SC4116 G,L	R301	119-1021-15	1/10W 1k ohm	R545	119-6831-15	1/10W 68k ohm
Q775	192-4155-51	2SC4155A S,T	R302	119-1021-15	1/10W 1k ohm	R546	119-1021-15	1/10W 1k ohm
Q775	193-1819-50	2SD1819 AR,SL	R305	119-1021-15	1/10W 1k ohm	R547	119-1021-15	1/10W 1k ohm
Q776	125-0021-91	DTA114EUA	R306	119-1021-15	1/10W 1k ohm	R548	119-1031-15	1/10W 10k ohm
Q776	125-0025-92	RN2302	R309	119-1021-15	1/10W 1k ohm	R549	119-3341-15	1/10W 330k ohm
Q776	125-0034-92	RT1P141M	R310	119-1021-15	1/10W 1k ohm	R550	032-0140-22	1/10W 68k ohm F
Q777	125-2027-91	DTC114EUA	R311	119-5631-15	1/10W 56k ohm	R551	032-0140-00	1/10W 56k ohm F
Q777	125-2032-92	RN1302	R312	119-5631-15	1/10W 56k ohm	R552	117-6821-15	1/8W 6.8k ohm
Q777	125-2041-92	RT1N141M	R313	119-5631-15	1/10W 56k ohm	R553	119-4731-15	1/10W 47k ohm
Q821	190-2071-00	2SA2071 T100	R314	119-5631-15	1/10W 56k ohm	R554	119-4731-15	1/10W 47k ohm
Q822	192-4116-51	2SC4116 G,L	R323	119-0000-05	1/10W 0 ohm JW	R555	119-5621-15	1/10W 5.6k ohm
Q822	192-4155-51	2SC4155A S,T	R324	119-0000-05	1/10W 0 ohm JW	R556	119-1021-15	1/10W 1k ohm
Q822	193-1819-50	2SD1819 AR,SL	R325	119-0000-05	1/10W 0 ohm JW	R557	119-4731-15	1/10W 47k ohm
R101	119-0000-05	1/10W 0 ohm JW	R326	119-0000-05	1/10W 0 ohm JW	R558	119-1031-15	1/10W 10k ohm
R102	119-0000-05	1/10W 0 ohm JW	R351	119-8211-15	1/10W 820 ohm	R568	119-4731-15	1/10W 47k ohm
R103	119-1041-15	1/10W 100k ohm	R352	119-1021-15	1/10W 1k ohm	R569	119-4731-15	1/10W 47k ohm
R104	119-0000-05	1/10W 0 ohm JW	R353	032-0140-50	1/10W 10k ohm F	R572	119-4731-15	1/10W 47k ohm
R105	119-4711-15	1/10W 470 ohm	R354	032-0140-50	1/10W 10k ohm F	R573	119-4731-15	1/10W 47k ohm
R106	119-2221-15	1/10W 2.2k ohm	R355	032-0140-50	1/10W 10k ohm F	R701	116-1211-15	1/4W 120 ohm
R107	116-1001-15	1/4W 10 ohm	R356	032-0140-50	1/10W 10k ohm F	R702	116-6801-15	1/4W 68 ohm
R108	119-2231-15	1/10W 22k ohm	R357	032-0140-50	1/10W 10k ohm F	R703	119-2231-15	1/10W 22k ohm
R109	119-4731-15	1/10W 47k ohm	R358	032-0140-50	1/10W 10k ohm F	R704	119-2231-15	1/10W 22k ohm
R111	119-0000-05	1/10W 0 ohm JW	R359	032-0140-50	1/10W 10k ohm F	R711	116-2221-15	1/4W 2.2k ohm
		(PS-3141K-A)	R360	032-0140-50	1/10W 10k ohm F	R712	117-1031-15	1/8W 10k ohm
	166-8201-50	82pF CH	R391	119-5631-15	1/10W 56k ohm	R713	116-2221-15	1/4W 2.2k ohm
		(PS-3141K-B)	R392	119-1221-15	1/10W 1.2k ohm	R714	119-1031-15	1/10W 10k ohm
R122	119-2221-15	1/10W 2.2k ohm	R393	119-2221-15	1/10W 2.2k ohm	R715	119-3321-15	1/10W 3.3k ohm
R125	119-1021-15	1/10W 1k ohm	R394	119-2221-15	1/10W 2.2k ohm	R726	119-1021-15	1/10W 1k ohm
R127	119-5631-15	1/10W 56k ohm	R395	119-2221-15	1/10W 2.2k ohm	R731	116-5621-15	1/4W 5.6k ohm
R128	119-4731-15	1/10W 47k ohm	R396	119-2221-15	1/10W 2.2k ohm	R732	116-4721-15	1/4W 4.7k ohm
R130	119-2221-15	1/10W 2.2k ohm	R397	119-1031-15	1/10W 10k ohm	R761	032-0092-56	1/8W 22k ohm F
R131	119-1031-15	1/10W 10k ohm	R400	119-1031-15	1/10W 10k ohm	R762	032-0092-31	1/8W 150k ohm F
R132	119-1031-15	1/10W 10k ohm	R401	119-2231-15	1/10W 22k ohm	R763	032-0092-51	1/8W 1k ohm F
R133	119-2221-15	1/10W 2.2k ohm	R402	119-2021-15	1/10W 2k ohm	R764	119-1221-15	1/10W 1.2k ohm
R134	119-2221-15	1/10W 2.2k ohm	R403	119-2231-15	1/10W 22k ohm	R771	119-0000-05	1/10W 0 ohm JW
R135	119-1031-15	1/10W 10k ohm	R404	119-2021-15	1/10W 2k ohm	R772	119-2231-15	1/10W 22k ohm
R151	119-1021-15	1/10W 1k ohm	R405	119-0000-05	1/10W 0 ohm JW	R773	116-1021-15	1/4W 1k ohm
R152	119-5621-15	1/10W 5.6k ohm	R502	119-4721-15	1/10W 4.7k ohm	R775	119-2231-15	1/10W 22k ohm
R153	119-3311-15	1/10W 330 ohm	R503	119-4721-15	1/10W 4.7k ohm	R776	119-2231-15	1/10W 22k ohm
R154	119-1021-15	1/10W 1k ohm	R504	119-4721-15	1/10W 4.7k ohm	R777	117-4731-15	1/8W 47k ohm
R155	119-3331-15	1/10W 33k ohm	R510	119-4721-15	1/10W 4.7k ohm	R778	119-1031-15	1/10W 10k ohm
R156	119-1031-15	1/10W 10k ohm	R511	119-4721-15	1/10W 4.7k ohm	R779	116-1821-15	1/4W 1.8k ohm
R157	119-1231-15	1/10W 12k ohm	R512	119-4721-15	1/10W 4.7k ohm	R780	117-1821-15	1/8W 1.8k ohm
R158	119-3321-15	1/10W 3.3k ohm	R513	119-4721-15	1/10W 4.7k ohm	R783	119-2231-15	1/10W 22k ohm
R159	119-1041-15	1/10W 100k ohm	R514	119-1021-15	1/10W 1k ohm	R793	119-0000-05	1/10W 0 ohm JW
R160	119-2211-15	1/10W 220 ohm	R515	119-1041-15	1/10W 100k ohm	R801	119-0000-05	1/10W 0 ohm JW
R161	119-0000-05	1/10W 0 ohm JW	R516	119-1041-15	1/10W 100k ohm	R802	119-0000-05	1/10W 0 ohm JW
R162	119-1021-15	1/10W 1k ohm	R517	116-1001-15	1/4W 10 ohm	R821	116-1031-15	1/4W 10k ohm
R163	119-1021-15	1/10W 1k ohm	R520	119-4731-15	1/10W 47k ohm	R822	119-3321-15	1/10W 3.3k ohm
R164	119-2221-15	1/10W 2.2k ohm	R521	119-4731-15	1/10W 47k ohm	R823	119-1031-15	1/10W 10k ohm
R165	119-5631-15	1/10W 56k ohm	R522	119-4731-15	1/10W 47k ohm	R824	116-2221-15	1/4W 2.2k ohm
R166	119-1231-15	1/10W 12k ohm	R524	119-1521-15	1/10W 1.5k ohm	R825	116-2221-15	1/4W 2.2k ohm
R167	116-3311-15	1/4W 330 ohm	R525	119-1021-15	1/10W 1k ohm	R826	119-8221-15	1/10W 8.2k ohm
R168	119-1031-15	1/10W 10k ohm	R526	119-3311-15	1/10W 330 ohm	R903	119-0000-05	1/10W 0 ohm JW
R169	119-2711-15	1/10W 270 ohm	R527	119-4721-15	1/10W 4.7k ohm			(PS-3141K-B)
R170	119-1021-15	1/10W 1k ohm	R528	032-0140-66	1/10W 220 ohm F	R904	119-0000-05	1/10W 0 ohm JW
R171	119-0000-05	1/10W 0 ohm JW	R529	119-1031-15	1/10W 10k ohm			(PS-3141K-B)
R172	119-1021-15	1/10W 1k ohm	R530	119-1041-15	1/10W 100k ohm	R905	119-0000-05	1/10W 0 ohm JW
R173	119-1031-15	1/10W 10k ohm	R531	119-1031-15	1/10W 10k ohm			(PS-3141K-B)
R242	119-4731-15	1/10W 47k ohm	R532	119-4721-15	1/10W 4.7k ohm	R908	119-0000-05	1/10W 0 ohm JW
R243	119-1021-15	1/10W 1k ohm	R533	119-4721-15	1/10W 4.7k ohm			(PS-3141K-A)
R245	119-3331-15	1/10W 33k ohm	R534	119-1021-15	1/10W 1k ohm	SUP101	060-0122-20	DSP-141N-S00B
R246	119-4731-15	1/10W 47k ohm	R535	119-1021-15	1/10W 10k ohm	TH711	002-0318-21	TERMINATOR
R248	119-1041-15	1/10W 100k ohm	R536	119-2221-15	1/10W 2.2k ohm	TM101	073-0762-90	THERMISTOR

REF No.	PART No.	DESCRIPTION
TM501	073-0762-90	TERMINAL
TM502	073-0762-90	TERMINAL
TM801	073-0762-90	TERMINAL
TM802	073-0762-90	TERMINAL

REF No.	PART No.	DESCRIPTION
X121	061-1066-00	7.2MHz
X151	061-3013-00	4.33MHz
X501	060-1533-90	CSTCE10M0G52-RO

REF No.	PART No.	DESCRIPTION
PWB	039-3294-00	PWB(WITHOUT COMPONENT)

Switch PWB section (B2)

REF No.	PART No.	DESCRIPTION
C100	168-1042-78	16V 0.1uF
C101	168-1042-78	16V 0.1uF
C102	168-1042-78	16V 0.1uF
C103	168-1042-78	16V 0.1uF
C104	168-1042-78	16V 0.1uF
C105	178-1052-78	1uF
D100	001-7094-91	VFR1112H-TR
D101	001-7094-91	VFR1112H-TR
D102	001-7094-91	VFR1112H-TR
D103	001-7094-91	VFR1112H-TR
D104	001-7087-90	RBR1112H C,D,E RED
D105	001-7094-91	VFR1112H-TR
D106	001-7094-91	VFR1112H-TR
D107	001-7094-91	VFR1112H-TR
D108	001-7094-91	VFR1112H-TR
D113	001-0580-90	1SS352
D114	001-0580-90	1SS352
D115	001-0580-90	1SS352
D116	001-0580-90	1SS352
IC100	051-6084-00	NJU6625FG1-03
J100	074-3013-74	24P
L100	010-3406-66	22uH J
LCD100	379-1363-51	INDICATOR (LCD)

REF No.	PART No.	DESCRIPTION
PL100	017-0420-43	14V 40mA RED
PL101	017-0420-43	14V 40mA RED
PL102	017-0420-43	14V 40mA RED
PL104	017-0420-43	14V 40mA RED
PL105	017-0420-43	14V 40mA RED
PL106	017-0420-43	14V 40mA RED
PL107	017-0420-43	14V 40mA RED
PL108	017-0420-43	14V 40mA RED
PL109	017-0420-43	14V 40mA RED
PL110	017-0420-43	14V 40mA RED
PL111	017-0420-43	14V 40mA RED
R100	119-1521-15	1/10W 1.5k ohm
R101	119-1221-15	1/10W 1.2k ohm
R102	119-1221-15	1/10W 1.2k ohm
R103	119-1521-15	1/10W 1.5k ohm
R104	119-1221-15	1/10W 1.2k ohm
R105	119-1221-15	1/10W 1.2k ohm
R106	119-1521-15	1/10W 1.5k ohm
R107	119-1221-15	1/10W 1.2k ohm
R108	119-1221-15	1/10W 1.2k ohm
R109	119-1521-15	1/10W 1.5k ohm
R110	119-1221-15	1/10W 1.2k ohm
R111	119-1221-15	1/10W 1.2k ohm
R112	119-2221-15	1/10W 2.2k ohm

REF No.	PART No.	DESCRIPTION
R113	119-2221-15	1/10W 2.2k ohm
R114	119-1821-15	1/10W 1.8k ohm
R116	119-0000-05	1/10W 0 ohm JW
R117	119-0000-05	1/10W 0 ohm JW
R121	119-4341-15	1/10W 430k ohm
R122	119-0000-05	1/10W 0 ohm JW
R123	119-0000-05	1/10W 0 ohm JW
R125	119-0000-05	1/10W 0 ohm JW
R126	119-0000-05	1/10W 0 ohm JW
R128	119-1021-15	1/10W 1k ohm
R129	119-1021-15	1/10W 1k ohm
R131	119-0000-05	1/10W 0 ohm JW
R132	119-0000-05	1/10W 0 ohm JW
R140	119-0000-05	1/10W 0 ohm JW
R200	119-1841-15	1/10W 180k ohm
R201	119-1841-15	1/10W 180k ohm
R202	119-1841-15	1/10W 180k ohm
R203	119-1841-15	1/10W 180k ohm
TH100	002-0306-90	SC20-3J153
TM100	073-0778-90	TERMINAL
VR100	016-0014-12	VR W/SHAFT
VR101	016-0014-12	VR W/SHAFT
PWB	039-3290-00	PWB(WITHOUT COMPONENT)