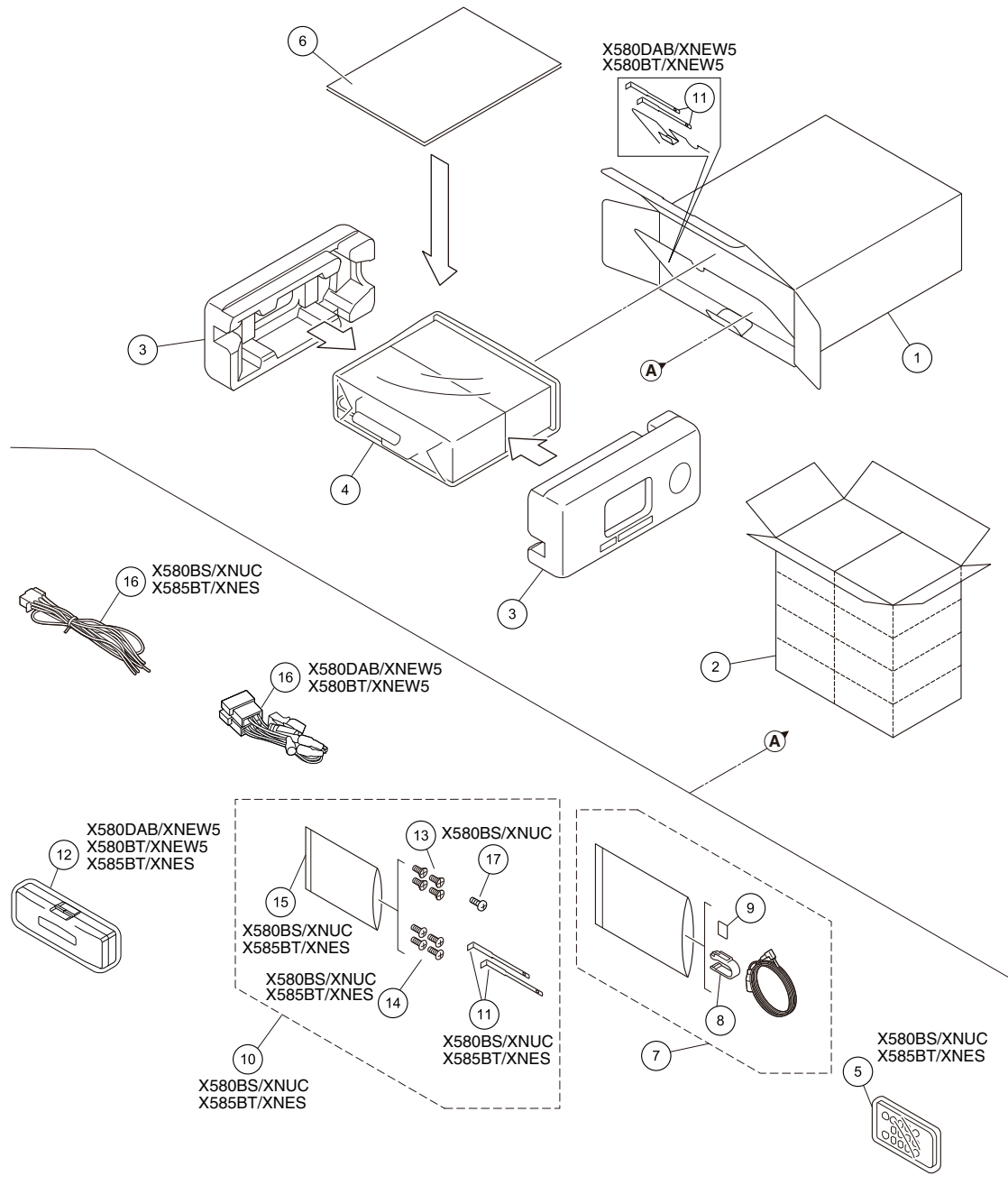


9. EXPLODED VIEWS AND PARTS LIST

- NOTES :**
- Parts marked by "*" are generally unavailable because they are not in our Master Spare Parts List.
 - The ⚠ mark found on some component parts indicates the importance of the safety factor of the part. Therefore, when replacing, be sure to use parts of identical designation.
 - Screw adjacent to ∇ mark on the product are used for disassembly.
 - For the applying amount of lubricants or glue, follow the instructions in this manual. (In the case of no amount instructions, apply as you think it appropriate.)

9.1 PACKING



(1) PACKING SECTION PARTS LIST

<u>Mark No.</u>	<u>Description</u>	<u>Part No.</u>	<u>Mark No.</u>	<u>Description</u>	<u>Part No.</u>
1	Unit Box	See Contrast table (2)			
2	Contain Box	See Contrast table (2)	10	Accessory Assy	See Contrast table (2)
3	Protector	CHP4594	11	Handle	QNC3021
4	Polyethylene Bag	See Contrast table (2)	12	Case Assy	See Contrast table (2)
5	Card Remote Control Unit	See Contrast table (2)	13	Screw	See Contrast table (2)
			14	Screw	See Contrast table (2)
* 6-1	Warranty Card	See Contrast table (2)			
6-2	Owner's Manual	See Contrast table (2)	* 15	Polyethylene Bag	See Contrast table (2)
7	Microphone Assy	CPM1109	16	Cord Assy	See Contrast table (2)
8	Holder	CZN7192	17	Screw	See Contrast table (2)
9	Cushion	CZN7193			

(2) CONTRAST TABLE

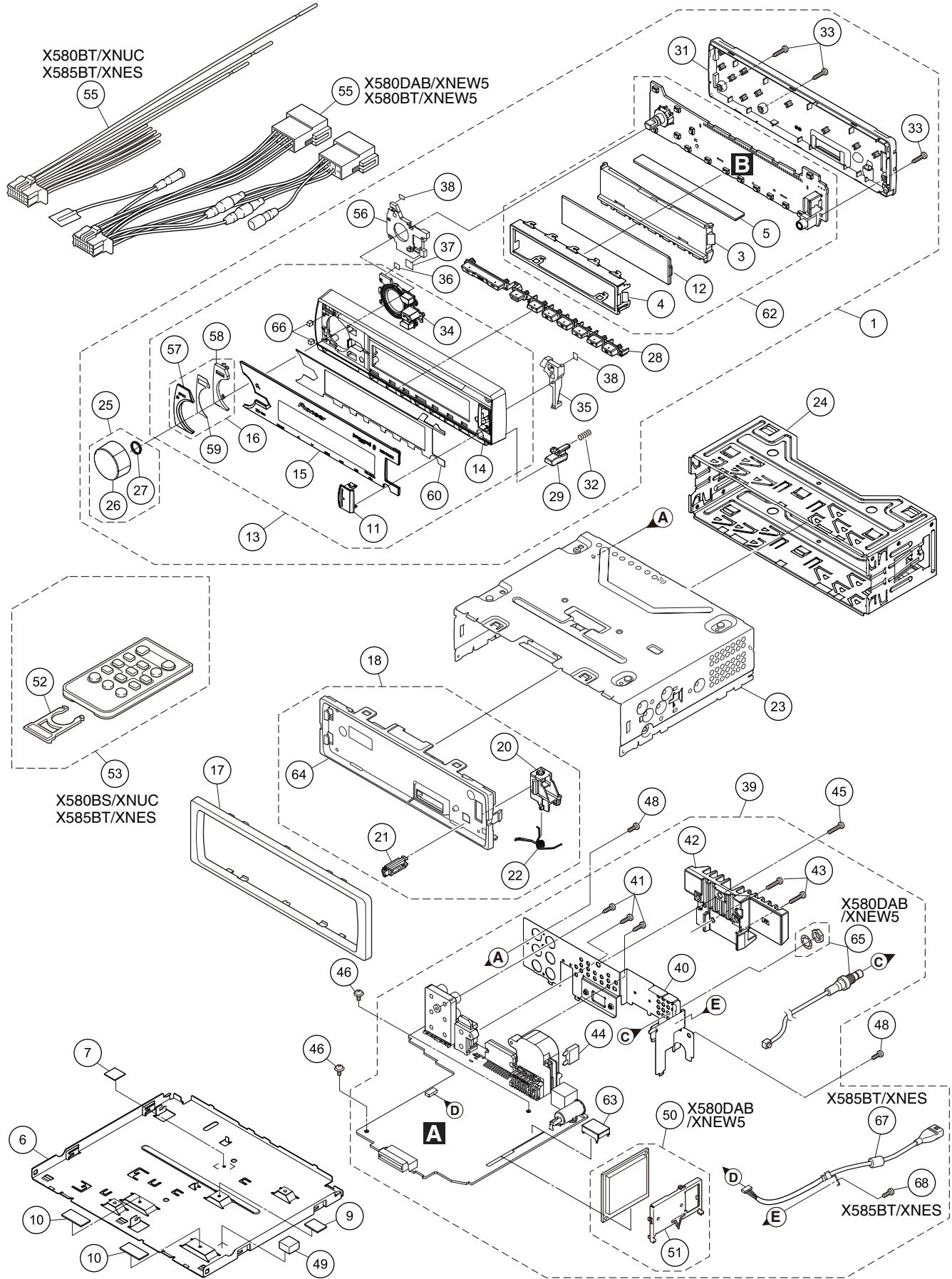
MVH-X580BS/XNUC, MVH-X580DAB/XNEW5, MVH-X580BT/XNEW5 and MVH-X585BT/XNES are constructed the same except for the following:

Mark	No.	Description	MVH-X580BS/ XNUC	MVH-X580DAB/ XNEW5	MVH-X580BT/ XNEW5	MVH-X585BT/ XNES
	1	Unit Box	QHG4018	QHG3883	QHG3884	QHG3887
	2	Contain Box	QHL4018	QHL3883	QHL3884	QHL3887
	4	Polyethylene Bag	CEG1173	QEG3001	QEG3001	QEG3001
	5	Card Remote Control Unit	QXE1044	Not used	Not used	QXE1044
*	6-1	Warranty Card	QRY3001	CRY1376	CRY1376	Not used
	6-2	Owner's Manual	QRD3346	QRD3345	QRD3345	QRD3347
	10	Accessory Assy	QEA3337	Not used	Not used	QEA3338
	12	Case Assy	Not used	QXA3129	QXA3129	QXA3129
	13	Screw	CBA2383	Not used	Not used	Not used
	14	Screw	CBA2384	Not used	Not used	CBA2384
*	15	Polyethylene Bag	CEG1160	Not used	Not used	CEG1160
	16	Cord Assy	CDP1484	QDP3072	QDP3072	CDP1484
	17	Screw	BPZ20P060FTC	Not used	Not used	Not used

Owner's Manual, Installation Manual

Part No.	Language
QRD3345	English, French, Italian, Spanish(Espanol), German, Dutch, Russian
QRD3346	English, French, Spanish(Espanol)
QRD3347	English, Spanish(Espanol), Portuguese(B), Traditional Chinese, Arabic, Persian

9.2 EXTERIOR



(1) EXTERIOR SECTION PARTS LIST

	<u>Mark No.</u>	<u>Description</u>	<u>Part No.</u>	<u>Mark No.</u>	<u>Description</u>	<u>Part No.</u>
	1	Detach Grille Assy	See Contrast table (2)			
A	2		36	Sheet	QNM3143
	3	Lighting Conductor	QNV3120	37	Sheet	QNM3144
	4	Holder	QNC3120	38	Sheet	QNM3145
	5	Rubber Connector	QNV3126	39	Tuner Amp Unit	See Contrast table (2)
				40	Holder	See Contrast table (2)
	6	Case	QNB3034			
	7	Heat Conductor Sheet	QNM3165	41	Screw	BPZ26P080FTC
	8		42	Heat Sink	See Contrast table (2)
	9	Heat Conductor Sheet	QNM3164	43	Screw	BSZ26P120FTC
	10	Heat Conductor Sheet	QNM3135	⚠ 44	Fuse(10 A)	YEK5001
				45	Screw	BSZ26P120FTC
B	11	Door	QAT3021			
	12	Segment LCD(V1801)	CAW2057	46	Screw	ASZ26P050FTC
	13	Grille Unit	See Contrast table (2)	47	
	14	Grille	See Contrast table (2)	48	Screw	BSZ26P060FTC
	15	Plate	See Contrast table (2)	49	Gasket	QNM3174
				50	WWR Tuner Unit(U951)	See Contrast table (2)
	16	Button Unit (SRC)	QXA4599			
	17	Panel	QNS3576	51	Holder	See Contrast table (2)
	18	Panel Assy	QXA4717	52	Cover	See Contrast table (2)
	19		53	Card Remote Control Unit	See Contrast table (2)
C	20	Arm	QNV3025	54	
				55	Cord Assy	See Contrast table (2)
	21	Button	QNV3026			
	22	Spring	QBH3001	56	Lighting Conductor	QNV3117
	23	Chassis	CNA3373	57	Plate	QNS3967
	24	Holder	QNC3020	58	Holder	QNS3968
	25	Knob Unit	See Contrast table (2)	59	Double Side Tape	QNM3141
				60	Double Side Tape	QNM3140
	26	Knob	See Contrast table (2)			
*	27	Spring	YBL5010	61	
	28	Button(TRACK, 1-6)	QAC3222	62	Keyboard Unit	See Contrast table (2)
D	29	Button(DETACH)	QAC3224	63	Shield Case	QNC3107
	30		64	Panel	QNS4072
				65	ANT Pigtail Cable Assy	See Contrast table (2)
	31	Cover	QNS3965			
	32	Spring	CBH2210	66	Cushion	QNM3142
	33	Screw	BPZ20P100FTC	67	USB Cable	See Contrast table (2)
	34	Button(PHONE)	QAC3220	68	Screw	See Contrast table (2)
	35	Lighting Conductor	QNV3118			

(2) CONTRAST TABLE

MVH-X580BS/XNUC, MVH-X580DAB/XNEW5, MVH-X580BT/XNEW5 and MVH-X585BT/XNES are constructed the same except for the following:

Mark	No.	Description	MVH-X580BS/ XNUC	MVH-X580DAB/ XNEW5	MVH-X580BT/ XNEW5	MVH-X585BT/ XNES
	1	Detach Grille Assy	QXA4912	QXA4634	QXA4635	QXA4638
	13	Grille Unit	QXA4904	QXA4592	QXA4593	QXA4596
	14	Grille	QNS3970	QNS3963	QNS3970	QNS3970
	15	Plate	QNS4100	QNS3964	QNS3978	QNS3981
	25	Knob Unit	QXA4712	QXA4713	QXA4713	QXA4712
	26	Knob	QAA3056	QAA3057	QAA3057	QAA3056
	39	Tuner Amp Unit	QWM4157	QWM4155	QWM4156	QWM4158
	40	Holder	QNC3112	QNC3115	QNC3113	QNC3117
	42	Heat Sink	QNR3010	QNR3010	QNR3010	QNR3002
	50	WWR Tuner Unit(U951)	Not used	CWE2534	Not used	Not used
F	51	Holder	Not used	CND7288	Not used	Not used

Mark	No.	Description	MVH-X580BS/ XNUC	MVH-X580DAB/ XNEW5	MVH-X580BT/ XNEW5	MVH-X585BT/ XNES
	52	Cover	CNS7068	Not used	Not used	CNS7068
	53	Card Remote Control Unit	QXE1044	Not used	Not used	QXE1044
	55	Cord Assy	CDP1484	QDP3072	QDP3072	CDP1484
	62	Keyboard Unit	QWM4243	QWM4242	QWM4242	QWM4243
	65	ANT Pigtail Cable Assy	Not used	QXA4122	Not used	Not used
	67	USB Cable	Not used	Not used	Not used	QDP3089
	68	Screw	Not used	Not used	Not used	BSZ26P060FTC

12. ELECTRICAL PARTS LIST

NOTE:

- Parts whose parts numbers are omitted are subject to being not supplied.
- The part numbers shown below indicate chip components.

Chip Resistor

RS1/○S○○○○J,RS1/○○S○○○○J

Chip Capacitor (except for CQS.....)

CKS....., CCS....., CSZS.....

- Parts marked by " * " are generally unavailable because they are not in our Master Spare Parts List.
- The ⚠ mark found on some component parts indicates the importance of the safety factor of the part. Therefore, when replacing, be sure to use parts of identical designation.
- The expression of the unit in this manual is shown by u instead of μ. Please do not make a mistake.

<u>Circuit Symbol and No.</u>	<u>Part No.</u>	<u>Circuit Symbol and No.</u>	<u>Part No.</u>
A:MVH-X580BS/XNUC		IC 741 IC(A)	QWW4081
		IC 741 IC(B)	QWW4082
B:MVH-X580DAB/XNEW5		IC 741 IC(C,D)	QWW4078
		IC 742 IC	MX25L1636EM2I-08G
C:MVH-X580BT/XNEW5		IC 751 E-VOL System LSI	PM9015A
D:MVH-X585BT/XNES		IC 801 Op-amp IC(D)	NJW1240V
Unit Number : QWM4157(A)		IC 851 Tuner IC	TEF6686HN-V102
Unit Number : QWM4155(B)		IC 1301 Power Amp IC(A,B,C)	PAL013B
Unit Number : QWM4156(C)		IC 1301 Power Amp IC(D)	PA2032A
Unit Number : QWM4158(D)		Q 111 Bipolar Transistor	LSCR523UB
Unit Name : Tuner Amp Unit		Q 121 Resistor Built-in Transistor	LTC014EEB
Unit Number : QWM4243(A,D)		Q 141 Bipolar Transistor	LSCR523UB
Unit Number : QWM4242(B,C)		Q 142 Bipolar Transistor	LSCR523UB
Unit Name : Keyboard Unit		Q 201 Bipolar Transistor	LSCR523UB
		Q 202 FET	SSM3J332R
		Q 203 Power MOS FET	RRR040P03
		Q 401 Transistor(B)	2SAR293PGZE
		Q 402 Transistor(B)	LTC014EEB
		Q 441 Transistor	2SAR502UB
		Q 442 Resistor Built-in Transistor	LTC023YEB
A		Q 481 Transistor	2SAR502UB
Unit Number : QWM4157(A)		Q 482 Resistor Built-in Transistor	LTC043EEB
Unit Number : QWM4155(B)		Q 701 Bipolar Transistor	LSAR523UB
Unit Number : QWM4156(C)		Q 801 Transistor(D)	LTC014EEB
Unit Number : QWM4158(D)		Q 1241 Transistor(A,B,C)	EMH53
Unit Name : Tuner Amp Unit		Q 1242 Transistor(A,B,C)	EMH53
		Q 1243 Transistor(A,B,C)	EMH53
		Q 1276 Transistor(D)	EMD53
		Q 1301 Transistor	EMD52
		D 101 Diode	D1F60-5053
		D 102 Diode	D1F60-5053
		D 111 Diode(A,D)	DZ2J068M0
		D 111 Diode(B,C)	DZ2J075M0
		D 121 Diode	CRG03
		D 141 Diode	DZ2J075M0
		D 201 Schottky Diode	RB162M-40
		D 202 Diode	RR264MM-400TF
		D 203 Diode	RB056L-40
		D 206 Schottky Diode	CMS30I30A
		D 207 Schottky Diode	RB751SM-40
		D 208 Diode(A,B,C)	DZ2S068C
		D 209 Diode(D)	DZ2S068C
		D 210 Diode(A,B,C)	DZ2S068C
		D 211 Diode(D)	DZ2S068C
		D 301 Diode(B,D)	RB056L-40
IC 201 Power supply IC	BD49101AEFS		
IC 202 Power supply IC	BD2232G-G		
IC 301 DC/DC Converter IC(B,D)	KBD9876EFJ		
IC 321 Power supply IC(D)	BD2232G-G		
IC 421 Regulator IC(B)	S-1155B33-U5		
IC 422 Regulator IC(B)	MM3411A33N		
IC 423 Regulator IC(B)	S-1172B12-E6		
IC 461 Regulator IC(D)	NJW4184DL3-08A		
* IC501 Microprocessor IC	STA1080		
IC 502 IC	S-80827CNMC-B8M		
IC 503 L-MOS And Gate(A)	TC7SET08FUS1		
IC 504 IC(A)	TC7SH126FU		
IC 701 IC	337S3959		
IC 702 RAM IC	M12L128168A-5TG2N		
IC 731 ROM IC	M95512-RMN6P		

MISCELLANEOUS

	1	2	3	4
	<u>Circuit Symbol and No.</u>	<u>Part No.</u>	<u>Circuit Symbol and No.</u>	<u>Part No.</u>
	D 302 Diode(B,D)	RB060M-30	P 401 Poly Switch(A)	FSMD110-24R
	D 321 Switching Diode(D)	1SS355VM	P 401 Poly Switch(B)	FSMD020-R
A	D 421 Diode(B)	RR264MM-400TF	P 852 Surge Absorber	IMSA-6803-01Y900
	D 422 Diode(B)	RR264MM-400TF	P 1243 Poly Switch	FSMD075-24R
	D 423 Diode(B)	RR264MM-400TF	P 1276 Poly Switch	FSMD075-24R
	D 424 Diode(B)	RR264MM-400TF	VA321 SMD Varistor	MLV0402ES012V0010N
	D 425 Diode(B)	RR264MM-400TF	VA1201 SMD Varistor	MLV0402ES012V0010N
	D 501 Schottky Diode(A,B,C)	RB751SM-40	VA1202 SMD Varistor	MLV0402ES012V0010N
	D 502 Schottky Diode(A,B,C)	RB751SM-40	U 951 WWR Tuner Unit(B)	CWE2534
	D 504 Diode	EZAEG2A50AX	U 1001 BT Module	CWX4751
	D 505 Diode	EZAEG2A50AX	CN1201 Connector	CKS6452
	D 506 Diode(D)	EZAEG2A50AX	CN1291 Connector(D)	KM200NA5L
	D 507 Diode(D)	EZAEG2A50AX	CN1292 Clamper(D)	CEF1046
B	D 1201 Diode	DZ2S068C	CN1552 Clamper(D)	CEF1046
	D 1204 Diode	EZAEG2A50AX	JA 101 Plug	CKM1624
	D 1205 Diode	EZAEG2A50AX	JA 851 Antenna Jack	CKX1104
	D 1206 Diode	DZ2S068C	JA 1231 Connector(A)	CKS3806
	D 1207 Diode	DZ2S068C	JA 1241 Jack	CKB1113
	D 1208 Diode	DZ2S068C	JA 1276 Jack	CKN1103
	D 1209 Diode	DZ2S068C		
	D 1210 Diode	DZ2S068C		
	D 1291 Diode(D)	EZAEG2A50AX	R 111	RS1/16SS223J
	D 1292 Diode(D)	EZAEG2A50AX	R 112	RS1/16SS473J
	D 1293 Rectifier Diode	DAN202UM	R 113 (A,D)	RS1/16SS682J
C	D 1301 Diode(A,B,C)	CRG03	R 113 (B,C)	RS1/16SS333J
	D 1302 Diode	CRG03	R 114 (A,D)	RS1/4SA102J
	L 101 Choke Coil	CTH1620	R 114 (B,C)	RS1/4SA122J
	L 201 SMD SPL Inductor	CTH1521	R 121	RS1/16SS103J
	L 202 SMD SPL Inductor	CTH1524	R 123	RS1/4SA102J
	L 301 SMD SPL Inductor(B,D)	CTH1584	R 141	RS1/16SS104J
	L 401 Inductor	CTF1793	R 142	RS1/16SS473J
	L 502 Inductor	CTF1645	R 143	RS1/16SS103J
	L 503 Chip Beads	VTL1133	R 144	RS1/16SS472J
	L 504 Chip Beads	VTL1133	R 145	RS1/16SS0R0J
	L 505 Chip Beads	VTL1133	R 202	RS1/16SS3303D
D	L 854 Inductor	LCMAR27J1608	R 207	RS1/16SS222J
	L 855 Inductor	CTF1786	R 208	RS1/16SS472J
	L 856 Inductor(A,B,C)	CTF1389	R 209	RS1/4SA472J
	L 857 Inductor(D)	ATL7033	R 210	RS1/16SS103J
	L 858 Chip Coil(D)	LCTAWR27J2520	R 214	RS1/16SS102J
	L 859 Chip Coil(D)	LCTAW3R3J2520	R 215	RS1/16SS2403D
	L 860 Inductor(A,B,C)	LCYC150K1608	R 216	RS1/16SS7502D
	L 1001 Inductor	CTF1786	R 217	RS1/16SS4303D
	L 1276 Chip Beads	VTL1126	R 218	RS1/16SS4303D
	L 1277 Chip Beads	VTL1126	R 219	RS1/16SS104J
	L 1278 Chip Beads	VTL1126	R 220	RS1/16SS3903D
E	L 1279 Chip Beads	VTL1126	R 221	RS1/16SS6202D
	L 1291 Inductor(D)	CTF1713	R 222	RS1/16SS6802D
	L 1292 Chip Beads	VTL1126	R 223 0.02 ohm	CCN1401
	L 1293 Chip Beads	VTL1126	R 224	RS1/16SS6802D
	L 1294 Chip Beads	VTL1126	R 225	RS1/16SS102J
	L 1295 Chip Beads	VTL1126	R 226	RS1/16SS1203D
	L 1296 Chip Beads	VTL1126	R 227	RS1/16SS1802D
	L 1297 Chip Beads	VTL1126	R 229	RS1/16SS3902D
	T 851 Variable Coil	CTC1215	R 230	RS1/16SS682J
	X 501 Resonator 24 MHz	CSS1773	R 231	RS1/16SS4703D
F	X 502 Resonator 32.768 kHz	CSS1807	R 232	RS1/16SS1503D
	X 751 Crystal Resonator 18.432MHz	CSS1826	R 233	RS1/16SS1003D
	X 851 Crystal Resonator	CSS1868	R 234	RS1/16SS7503D
	S 501 Switch(RESET)	CSG1020		

RESISTORS

5		6		7		8	
<u>Circuit Symbol and No.</u>		<u>Part No.</u>		<u>Circuit Symbol and No.</u>		<u>Part No.</u>	
R 235		RS1/16SS1603D		R 525		RS1/16SS103J	
R 236		RS1/16SS102J		R 526		RS1/16SS1213F	
R 237	(A,B,C)	RS1/16SS102J		R 527	(D)	RS1/16SS0R0J	A
R 238		RS1/16SS102J		R 528	(D)	RS1/16SS0R0J	
R 239		RS1/16SS101J		R 529		RS1/16SS0R0J	
R 240		RS1/16SS221J		R 530		RS1/16SS0R0J	
R 241		RS1/16SS121J		R 531		RS1/16SS222J	
R 242		RS1/16SS6801F		R 532		RS1/16SS102J	
R 244		RS1/16SS473J		R 533		RS1/10SR103J	
R 245	(A,B,C)	RS1/8SQ0R0J		R 534		RS1/10SR103J	
R 246	(D)	RS1/8SQ0R0J		R 536	(D)	RS1/16SS473J	
R 247	(D)	RS1/16SS102J		R 537	(A,B,C)	RS1/16SS473J	
R 248	(A,B,C)	RS1/16SS332J		R 538	(C)	RS1/16SS473J	
R 249	(D)	RS1/16SS332J		R 539	(A,B,D)	RS1/16SS473J	B
R 250		RS1/10SR471J		R 539	(C)	RS1/16SS103J	
R 256		RS1/16SS0R0J		R 540		RS1/16SS103J	
R 260		RS1/16SS473J		R 541		RS1/16SS103J	
R 263		RS1/10SR471J		R 545		RS1/16SS473J	
R 264		RS1/10SR0R0J		R 546		RS1/16SS103J	
R 268		RS1/10SR0R0J		R 547		RS1/16SS473J	
R 269		RS1/16SS101J		R 548		RS1/16SS102J	
R 301	(B,D)	RS1/10SR471J		R 550		RS1/16SS103J	
R 303	(B,D)	RS1/16SS1803D		R 551		RS1/16SS103J	
R 304	(B,D)	RS1/16SS4302D		R 554		RS1/16SS222J	
R 305	(B,D)	RS1/16SS682J		R 555		RS1/16SS0R0J	C
R 306	(B,D)	RS1/16SS0R0J		R 557		RS1/16SS221J	
R 321	(D)	RS1/16SS222J		R 558		RS1/16SS221J	
R 322		RS1/16SS0R0J		R 559		RS1/16SS221J	
R 323	(B,D)	RS1/16SS102J		R 560		RS1/16SS473J	
R 401	(B)	RS1/10SR103J		R 561		RS1/16SS103J	
R 402	(B)	RS1/4SA471J		R 563		RS1/16SS0R0J	
R 403	(B)	RS1/4SA471J		R 564		RS1/16SS472J	
R 404	(A)	RS1/10SR0R0J		R 565		RS1/16SS0R0J	
R 405	(B)	RS1/16SS1003F		R 566		RAB4CQ473J	
R 406		RS1/16SS183J		R 570		RS1/16SS221J	
R 422	(B)	RS1/16SS102J		R 571		RS1/16SS221J	D
R 441		RS1/16SS103J		R 573		RS1/16SS473J	
R 442		RS1/10SR221J		R 574		RS1/16SS473J	
R 481		RS1/16SS471J		R 575		RS1/16SS473J	
R 482		RS1/16SS103J		R 576		RS1/16SS473J	
R 501	(D)	RS1/16SS222J		R 577		RS1/16SS473J	
R 503		RS1/16SS222J		R 578		RS1/16SS473J	
R 504		RS1/16SS222J		R 579		RS1/16SS473J	
R 506		RS1/16SS473J		R 580		RS1/16SS473J	
R 507		RS1/16SS473J		R 581		RS1/16SS472J	
R 508		RS1/16SS473J		R 584		RS1/16SS102J	
R 509		RS1/16SS473J		R 586		RS1/16SS103J	E
R 510		RS1/16SS473J		R 587		RS1/16SS0R0J	
R 511		RS1/16SS473J		R 591		RS1/16SS361J	
R 512		RS1/16SS101J		R 595		RS1/16SS0R0J	
R 513		RS1/16SS222J		R 596		RS1/16SS0R0J	
R 514		RS1/16SS221J		R 597		RS1/16SS102J	
R 515		RS1/16SS221J		R 598		RS1/16SS102J	
R 516		RS1/16SS221J		R 599		RS1/16SS102J	
R 517		RS1/16SS221J		R 610	(A,C,D)	RS1/16SS473J	
R 518		RS1/16SS472J		R 611		RS1/16SS472J	
R 519		RS1/16SS271J		R 614		RS1/16SS473J	F
R 520	(B)	RS1/16SS472J		R 615		RS1/16SS103J	
R 522		RS1/16SS0R0J		R 616	(D)	RS1/10SR473J	
R 524		RS1/16SS3001D		R 617		RS1/16SS473J	

	1	2	3	4
	<u>Circuit Symbol and No.</u>	<u>Part No.</u>	<u>Circuit Symbol and No.</u>	<u>Part No.</u>
	R 619 (A,B,C)	RS1/16SS473J	R 734	RS1/16SS103J
	R 620	RS1/16SS0R0J	R 735	RS1/16SS103J
A	R 622	RS1/16SS0R0J	R 736	RS1/16SS330J
	R 627 (A,B,C)	RS1/16SS153J	R 737	RS1/16SS330J
	R 628 (A,B,C)	RS1/16SS153J	R 741	RS1/16SS330J
	R 629	RS1/16SS472J	R 742	RS1/16SS103J
	R 630	RS1/16SS101J	R 743	RS1/16SS103J
	R 631	RS1/16SS221J	R 744	RS1/16SS330J
	R 633	RS1/16SS101J	R 745	RS1/16SS330J
	R 634	RS1/16SS101J	R 746	RS1/16SS103J
	R 635	RS1/16SS101J	R 747	RS1/16SS330J
	R 636	RS1/16SS101J	R 748	RS1/16SS330J
	R 637	RS1/16SS221J	R 749	RS1/16SS330J
B	R 638	RS1/16SS221J	R 750	RS1/16SS103J
	R 639	RS1/16SS101J	R 753	RS1/16SS0R0J
	R 642	RS1/16SS0R0J	R 754	RS1/16SS105J
	R 643	RS1/16SS101J	R 755	RS1/16SS471J
	R 644	RS1/16SS102J	R 758	RS1/10SR221J
	R 645	RS1/16SS101J	R 798 (A,B,C)	RS1/10SR0R0J
	R 646	RS1/16SS102J	R 799 (D)	RS1/16SS0R0J
	R 647	RS1/16SS102J	R 800	RS1/16SS0R0J
	R 648	RS1/16SS102J	R 801 (D)	RS1/16SS103J
	R 649	RS1/16SS102J	R 802 (D)	RS1/16SS100J
	R 650	RS1/16SS121J	R 803 (D)	RS1/16SS0R0J
C	R 651	RS1/16SS102J	R 804 (D)	RS1/16SS684J
	R 652	RS1/16SS101J	R 805 (D)	RS1/16SS102J
	R 653	RS1/16SS102J	R 810	RS1/10SR0R0J
	R 654	RS1/16SS102J	R 851	RS1/16SS105J
	R 655	RS1/16SS102J	R 852	RS1/16SS105J
	R 657	RS1/4SA0R0J	R 853 (A,B,C)	RS1/16SS391J
	R 658	RS1/4SA0R0J	R 853 (D)	RS1/16SS101J
	R 659	RS1/10SR0R0J	R 864	RS1/16SS103J
	R 672	RS1/16SS101J	R 868	RS1/16SS103J
	R 701	RS1/16SS103J	R 870	RS1/16SS101J
	R 702	RS1/16SS472J	R 873	RS1/16SS472J
D	R 703	RS1/16SS101J	R 874	RS1/16SS101J
	R 704	RS1/16SS101J	R 875	RS1/16SS472J
	R 705	RS1/16SS222J	R 876 (B)	RS1/16SS0R0J
	R 706	RS1/16SS222J	R 877 (B)	RS1/16SS0R0J
	R 707	RS1/16SS472J	R 878 (B)	RS1/16SS0R0J
	R 708	RS1/16SS272J	R 879 (B)	RS1/16SS0R0J
	R 709	RS1/16SS473J	R 890	RS1/16SS0R0J
	R 710	RS1/16SS0R0J	R 891	RS1/10SR0R0J
	R 711	RS1/16SS0R0J	R 957 (B)	RS1/16SS101J
	R 714	RAB4CQ121J	R 958 (B)	RS1/16SS101J
	R 715	RAB4CQ121J	R 959 (B)	RS1/16SS101J
E	R 716	RAB4CQ121J	R 960 (B)	RS1/16SS101J
	R 717	RAB4CQ121J	R 961 (B)	RS1/10SR102J
	R 718	RAB4CQ121J	R 962 (B)	RS1/10SR221J
	R 719	RAB4CQ121J	R 963 (B)	RS1/10SR121J
	R 720	RAB4CQ121J	R 966	RS1/10SR0R0J
	R 721	RAB4CQ121J	R 968	RS1/10SR0R0J
	R 722	RAB4CQ121J	R 970	RS1/4SA0R0J
	R 724	RS1/16SS121J	R 971	RS1/4SA0R0J
	R 728	RS1/10SR0R0J	R 1001	RS1/16SS0R0J
	R 729	RS1/10SR0R0J	R 1002	RS1/16SS221J
F	R 730	RS1/10SR0R0J	R 1004	RS1/16SS473J
	R 731	RS1/16SS330J	R 1005	RS1/16SS221J
	R 732	RS1/16SS330J	R 1006	RS1/16SS0R0J
	R 733	RS1/16SS103J	R 1007	RS1/16SS0R0J

5		6		7		8	
<u>Circuit Symbol and No.</u>		<u>Part No.</u>		<u>Circuit Symbol and No.</u>		<u>Part No.</u>	
R 1008		RS1/10SR0R0J		R 1259 (A,B,C)		RS1/16SS0R0J	
R 1011		RS1/16SS0R0J		R 1260 (A,B,C)		RS1/16SS0R0J	
R 1012		RS1/16SS221J		R 1261 (A,B,C)		RS1/16SS0R0J	A
R 1013		RS1/16SS0R0J		R 1262 (A,B,C)		RS1/16SS0R0J	
R 1014		RS1/10SR0R0J		R 1263		RS1/10SR0R0J	
R 1015		RS1/10SR0R0J		R 1277 (D)		RS1/16SS471J	
R 1016		RS1/4SA0R0J		R 1278		RS1/16SS102J	
R 1017		RS1/16SS473J		R 1279 (D)		RS1/16SS471J	
R 1018		RS1/16SS473J		R 1280		RS1/16SS102J	
R 1102		RS1/16SS473J		R 1281		RS1/16SS101J	
R 1103		RS1/16SS473J		R 1282		RS1/16SS101J	
R 1104		RS1/16SS104J		R 1284		RS1/10SR0R0J	
R 1111		RS1/16SS473J		R 1286		RS1/16SS0R0J	
R 1118		RS1/16SS472J		R 1287		RS1/16SS0R0J	B
R 1123		RS1/16SS0R0J		R 1301		RS1/16SS103J	
R 1126		RS1/16SS0R0J		R 1302		RS1/16SS223J	
R 1201		RS1/10SR222J		R 1303		RS1/16SS221J	
R 1203		RS1/16SS223J		R 1306		RS1/16SS103J	
R 1204		RS1/16SS223J		R 1307		RS1/16SS0R0J	
R 1205		RS1/10SR222J		R 1309		RS1/10SR0R0J	
R 1206		RS1/10SR221J		R 1313		RS1/10SR0R0J	
R 1207		RS1/10SR221J		R 1314		RS1/10SR0R0J	
R 1208		RS1/10SR0R0J		<u>CAPACITORS</u>			
R 1209		RS1/10SR222J		C 101	2 200 uF/16 V	CCH1405	C
R 1210		RS1/10SR222J		C 102		CKSRYB103K50	
R 1211		RS1/10SR222J		C 103		CKSSYB102K50	
R 1212		RS1/10SR222J		C 104		CKSSYB102K50	
R 1213		RS1/16SS123J		C 105		CKSSYB102K50	
R 1214		RS1/10SR222J					
R 1215		RS1/10SR101J		C 106		CKSSYB102K50	
R 1218		RS1/10SR0R0J		C 107		CKSSYB102K50	
R 1231 (A)		RS1/16SS181J		C 108		CKSSYB102K50	
R 1232 (A)		RS1/16SS181J		C 109		CKSSYB102K50	
R 1233 (A)		RS1/16SS223J		C 110		CKSSYB102K50	
R 1234 (A)		RS1/16SS223J		C 111		CKSRYB104K50	
R 1235 (A)		RS1/16SS181J		C 122	1 uF	CCG1396	D
R 1236 (A)		RS1/16SS181J		C 201		CCSSCH681J50	
R 1237 (A)		RAB4CQ102J		C 202		CEVW101M16	
R 1241 (A,B,C)		RS1/16SS821J		C 203	10 uF	CCG1192	
R 1241 (D)		RS1/16SS0R0J		C 204		CEVQW221M6R3	
R 1242 (A,B,C)		RS1/16SS821J		C 205	1 uF	CCG1396	
R 1242 (D)		RS1/16SS0R0J		C 206	10 uF	CCG1236	
R 1243 (A,B,C)		RS1/16SS821J		C 208		CCSSCH471J50	
R 1243 (D)		RS1/16SS0R0J		C 209		CCSSCH681J50	
R 1244 (A,B,C)		RS1/16SS821J		C 210	2 200 uF/16 V	CCH1405	
R 1244 (D)		RS1/16SS0R0J		C 211	10 uF	CCG1192	
R 1245 (A,B,C)		RS1/16SS821J		C 213	1 uF	CCG1396	E
R 1245 (D)		RS1/16SS0R0J		C 214	10 uF	CCG1192	
R 1246 (A,B,C)		RS1/16SS821J		C 216	10 uF	CCG1236	
R 1246 (D)		RS1/16SS0R0J		C 217		CKSRYB105K10	
R 1247		RS1/16SS223J		C 218	10 uF	CCG1236	
R 1248		RS1/16SS223J		C 220	10 uF	CCG1236	
R 1249		RS1/16SS223J		C 221	10 uF	CCG1236	
R 1250		RS1/16SS223J		C 222		XCEVW221M10	
R 1251		RS1/16SS223J		C 223		CCSSCH221J50	
R 1252		RS1/16SS223J		C 224		CKSRYB105K10	
R 1253		RS1/16SS0R0J		C 225		CKSRYB105K10	F
R 1255		RS1/16SS0R0J		C 227		CCSSCH391J50	
R 1257 (A,B,C)		RS1/16SS0R0J		C 228		CCSSCH681J50	
R 1258 (A,B,C)		RS1/16SS0R0J					

	1	2	3	4
	<u>Circuit Symbol and No.</u>	<u>Part No.</u>	<u>Circuit Symbol and No.</u>	<u>Part No.</u>
	C 230 10 uF	CCG1192	C 502	CKSSYB104K10
	C 231	CKSRYB104K16	C 503 4.7 uF	CCG1212
	C 232	CEVQW221M6R3	C 505	CKSSYB104K10
A	C 234 4.7 uF	CCG1212	C 506 4.7 uF	CCG1212
	C 236 10 uF	CCG1236	C 507 4.7 uF	CCG1212
	C 238 22 uF	CCG1254	C 508	CKSSYB104K10
	C 239	CCSSCH100D50	C 509 4.7 uF	CCG1212
	C 240	CCSSCH100D50	C 510	CKSSYB104K10
	C 241 10 uF	CCG1192	C 511 4.7 uF	CCG1212
	C 242	CEVW101M16	C 512	CKSSYB104K10
	C 243 10 uF	CCG1236	C 513 4.7 uF	CCG1212
	C 245	CKSRYB104K16	C 514	CKSSYB104K10
	C 247	CKSRYB105K10	C 517	CKSSYB104K10
	C 248 1 uF	CCG1393	C 518	CCSSCH100D50
B	C 249	CKSRYB105K10	C 519	CCSSCH100D50
	C 250	CKSRYB105K10	C 520 4.7 uF	CCG1212
	C 251	CKSRYB105K10	C 521	CKSSYB104K10
	C 252 4.7 uF	CCG1212	C 522 4.7 uF	CCG1212
	C 253 1 uF	CCG1393	C 523 4.7 uF	CCG1212
	C 255 1 uF	DCH1246	C 524 4.7 uF	CCG1212
	C 257 10 uF	CCG1236	C 525 10 uF	CCG1192
	C 259 10 uF	CCG1192	C 526	CKSSYB103K16
	C 260 10 uF	CCG1192	C 527 10 uF	CCG1192
	C 261	CKSSYB104K10	C 528	CKSSYB103K16
	C 263 (D)	CKSRYB105K16	C 529	CKSSYB104K10
C	C 264 (D)	CKSRYB102K50	C 530 4.7 uF	CCG1212
	C 265 10 uF	CCG1236	C 531 1 uF	DCH1246
	C 266 10 uF	CCG1236	C 532 1 uF	DCH1246
	C 270 4.7 uF	CCG1212	C 533 4.7 uF	CCG1212
	C 302 (B,D)	CEVQW221M6R3	C 534	CKSSYB104K10
	C 303 1 uF(B,D)	DCH1246	C 535	XCEVW221M10
	C 304 (B,D)	CKSRYB105K10	C 536	CCSSCH101J50
	C 305 4.7 uF(B,D)	CCG1212	C 537	CKSSYB103K16
	C 306 (B,D)	CKSSYB682K25	C 538 10 uF	CCG1192
	C 308 (B,D)	CKSRYB103K50	C 539	CKSSYB103K16
D	C 309 10 uF(B,D)	CCG1236	C 540 10 uF	CCG1192
	C 311 1 uF(B,D)	CCG1396	C 541	CKSSYB222K50
	C 312 (B,D)	CEAT102M16	C 542	CKSSYB104K10
	C 313	CKSRYB102K50	C 543 1 uF	DCH1246
	C 315	CKSRYB104K16	C 544	CKSSYB473K16
	C 317	CKSRYB105K10	C 545	CCSSCH100D50
	C 321	CKSRYB105K10	C 546	CCSSCH120J50
	C 322 (D)	CKSRYB105K10	C 551	CKSSYB104K10
	C 324 (D)	CKSRYB105K10	C 552 4.7 uF	CCG1212
	C 401 (B)	CKSRYB104K50	C 553 10 uF	CCG1192
E	C 422 10 uF(B)	CCG1192	C 555	CKSSYB103K16
	C 424 10 uF(B)	CCG1192	C 556	CKSSYB104K10
	C 425 4.7 uF(B)	CCG1212	C 557 (A)	CKSSYB104K10
	C 426 10 uF(B)	CCG1192	C 558 (A)	CKSSYB104K10
	C 427 4.7 uF(B)	CCG1212	C 559	CKSQYB224K50
	C 428 10 uF(B)	CCG1192	C 560	CKSSYB103K16
	C 430 10 uF(B)	CCG1192	C 565	CCSRCH330J50
	C 432 10 uF(B)	CCG1192	C 566	CCSRCH330J50
	C 433 1 uF(B)	DCH1246	C 569	CCSSCH101J50
	C 442 10 uF	CCG1192	C 571	CCSRCH330J50
	C 444 10 uF	CCG1192	C 572	CCSRCH330J50
F	C 462 10 uF(D)	CCG1192	C 573	CCSRCH101J50
	C 464 10 uF(D)	CCG1236	C 574	CCSSCH101J50
	C 481	CEVQW470M6R3	C 575	CKSSYB104K10
	C 482 1 uF	DCH1246	C 577	CCSSCH101J50

5		6		7		8	
<u>Circuit Symbol and No.</u>		<u>Part No.</u>		<u>Circuit Symbol and No.</u>		<u>Part No.</u>	
C 578		CKSSYB104K10		C 808	1 uF(D)	CCG1325	
C 579		CKSSYB104K10		C 809	1 uF(D)	CCG1255	
C 580		CKSRYB104K16		C 810	1 uF(D)	CCG1255	
C 586		CCSSCH102J50		C 811	(D)	CKSQYB104K50	A
C 701		CKSSYB104K10		C 813	1 uF(D)	CCG1255	
C 702		CKSSYB104K10		C 814	1 uF(D)	CCG1255	
C 711	4.7 uF	CCG1212		C 853		CCSSCH100D50	
C 712	1 uF	DCH1246		C 854		CCSSCH471J50	
C 713		CKSSYB104K10		C 858		CCSSCH220J50	
C 714	1 uF	DCH1246		C 859		CCSSCH331J50	
C 715	1 uF	DCH1246		C 860	(D)	CCSSCK2R0C50	
C 716	1 uF	DCH1246		C 861	(D)	CCSSCK1R0C50	
C 718		CKSSYB104K10		C 862	(D)	CCSSCK1R0C50	
C 719		CKSSYB104K10		C 863	(D)	CCSSCH120J50	
C 720	1 uF	DCH1246		C 866		CKSSYB224K6R3	B
C 722		CKSSYB104K10		C 867		CKSSYB102K50	
C 724		CKSRYB102K50		C 870		CCSSCH102J50	
C 730	10 uF	CCG1192		C 871		CKSSYB104K10	
C 731		CKSSYB104K10		C 872		CKSSYB104K10	
C 741	2.2 uF	CCG1205		C 874		CCSSCH390J50	
C 742		CKSSYB104K10		C 878		CKSSYB152K50	
C 743		CKSSYB104K10		C 882	1 uF(A,C,D)	DCH1246	
C 751	(A)	CKSRYB105K10		C 885	(D)	CKSSYB104K10	
C 752	(A)	CKSRYB105K10		C 886		CKSRYB102K50	
C 753		CKSRYB105K10		C 887		CKSRYB104K50	C
C 754		CKSRYB105K10		C 888	(A,C,D)	CKSRYB104K16	
C 755		CKSRYB105K10		C 889		CKSSYB104K10	
C 757		CKSRYB105K10		C 890	2.2 uF	CCG1205	
C 758		CKSRYB105K10		C 891	2.2 uF	CCG1205	
C 759	(A)	CKSRYB105K10		C 892		CKSRYB105K10	
C 760	(A)	CKSRYB105K10		C 951	(B)	CCSSCH101J50	
C 762		CEVQW470M6R3		C 952	(B)	CKSSYB104K10	
C 763	(D)	CKSSYB104K10		C 958	10 uF(B)	CCG1192	
C 764		CKSSYB104K10		C 959	(B)	CKSSYB104K10	
C 765		CCSSCH151J50		C 960	10 uF(B)	CCG1192	
C 766		CCSSCH151J50		C 961	(B)	CKSSYB104K10	D
C 767		CEVQW470M6R3		C 969	(B)	CCSSCH150J50	
C 768		CEVQW470M6R3		C 970	(B)	CCSSCH150J50	
C 771	10 uF	CCG1192		C 1003		CKSRYB104K16	
C 772		CKSSYB104K10		C 1004		CKSRYB104K16	
C 773		CKSSYB104K10		C 1105	1 uF	DCH1246	
C 774		CCSSCH100D50		C 1107		CKSRYB104K16	
C 775		CCSSCH100D50		C 1108		CKSRYB104K16	
C 776		CKSRYB105K10		C 1111		CKSSYB102K50	
C 777		CKSRYB105K10		C 1201		CCSRCH102J50	
C 778		CKSRYB105K10		C 1202		CKSRYB104K50	
C 783	1 uF	DCH1246		C 1203		CKSRYB104K16	E
C 790		CKSSYB102K50		C 1204		CKSRYB105K10	
C 791	10 uF	CCG1192		C 1205		CCSRCH221J50	
C 792		CKSSYB472K50		C 1206		CCSRCH221J50	
C 793		CKSSYB103K16		C 1207		CKSRYB474K10	
C 799		CKSSYB222K50		C 1210		CKSRYB105K10	
C 800		CKSSYB222K50		C 1213		CKSRYB104K16	
C 801	1 uF(D)	CCG1255		C 1214		CKSRYB102K50	
C 802	1 uF(D)	CCG1255		C 1215		CKSRYB105K10	
C 803	1 uF(D)	CCG1325		C 1217		CCSSCH121J50	
C 804	1 uF(D)	CCG1325		C 1218		CKSRYB104K16	
C 805	1 uF(D)	CCG1325		C 1231	(A)	CKSRYB104K16	F
C 806	1 uF(D)	CCG1325		C 1232	(A)	CKSRYB105K16	
C 807	1 uF(D)	CCG1325		C 1241	10 uF	CCG1192	

	1	2	3	4
	<u>Circuit Symbol and No.</u>	<u>Part No.</u>	<u>Circuit Symbol and No.</u>	<u>Part No.</u>
	C 1242 10 uF	CCG1192		
	C 1243 10 uF	CCG1192	D 1902 SMD Varistor	MLV0402ES012V0010N
	C 1244 10 uF	CCG1192	L 1901 Inductor	CTF1713
A	C 1245 10 uF	CCG1192	L 1921 Inductor	CTF1786
	C 1246 10 uF	CCG1192	L 1922 Inductor	CTF1786
			L 1923 Inductor	CTF1786
	C 1247	CCSSCH101J50		
	C 1248	CCSSCH101J50	S 1821 Push Switch	CSG1155
	C 1249	CCSSCH101J50	S 1823 Push Switch	CSG1155
	C 1250	CCSSCH101J50	S 1825 Push Switch	CSG1155
	C 1251	CCSSCH101J50	S 1826 Push Switch	CSG1155
			S 1827 Push Switch	CSG1155
	C 1252	CCSSCH101J50		
	C 1253	CKSSYB103K16	S 1828 Push Switch	CSG1155
	C 1254	CKSSYB104K10	S 1829 Push Switch	CSG1155
	C 1255	CKSSYB104K10	S 1830 Push Switch	CSG1155
B	C 1257	CKSSYB102K50	S 1831 Push Switch	CSG1155
			S 1832 Push Switch	CSG1155
	C 1276	CKSRYB104K16		
	C 1277	CKSRYB104K16	S 1833 Push Switch	CSG1155
	C 1278	CKSRYB104K16	S 1834 Push Switch	CSG1155
	C 1279	CKSRYB104K16	S 1835 Push Switch	CSG1155
	C 1280	CKSSYB102K50	S 1836 Encoder (MULTI-CONTROL)	CSD1168
			CN1941 Connector	CKS6451
	C 1281	CKSSYB102K50		
	C 1291 (D)	CKSRYB105K16	JA 1901 Connector	CKS6443
	C 1292 (D)	CKSRYB102K50	JA 1921 Jack	CKN1090
	C 1294 (D)	CCSSCH470J50	V 1801 LCD	CAW2057
	C 1295 (D)	CCSSCH470J50		
C			RESISTORS	
	C 1301	CKSRYB474K10	R 1801	RS1/16SS0R0J
	C 1302	CKSRYB474K10	R 1802	RS1/16SS0R0J
	C 1303	CKSRYB474K10	R 1803	RS1/16SS0R0J
	C 1304	CKSRYB474K10	R 1804	RS1/16SS0R0J
	C 1306	CKSRYB105K10	R 1805	RS1/16SS472J
	C 1310 10 uF/16 V	DCH1263	R 1821	RS1/16SS273J
	C 1311 2.2 uF	CCG1205	R 1841	RS1/16SS332J
	C 1312	CKSRYB104K50	R 1842	RS1/16SS152J
	C 1316	CKSRYB104K50	R 1843	RS1/16SS332J
	C 1317	CKSRYB105K10	R 1844	RS1/16SS152J
D	C 1319	CKSSYB103K16	R 1845	RS1/16SS332J
	C 1328	CKSRYB105K10	R 1846	RS1/16SS152J
			R 1847	RS1/16SS470J
			R 1849	RS1/16SS470J
			R 1851	RS1/16SS470J
			R 1865	RS1/16SS332J
			R 1866	RS1/16SS152J
			R 1867	RS1/16SS332J
			R 1868	RS1/16SS152J
			R 1869	RS1/16SS332J
			R 1870	RS1/16SS152J
E	IC 1801 Driver IC	BU97540KV-M	R 1871	RS1/16SS390J
	IC 1802 Driver IC	BU97540KV-M	R 1873	RS1/16SS390J
	IC 1951 IC(A,D)	PNJ4833M	R 1875	RS1/16SS390J
	Q 1841 Bipolar Transistor	LSCR523UB	R 1877	RS1/16SS0R0J
	Q 1842 Bipolar Transistor	LSCR523UB		
	Q 1843 Bipolar Transistor	LSCR523UB	R 1878	RS1/16SS0R0J
	Q 1847 Bipolar Transistor	LSCR523UB	R 1879	RS1/16SS0R0J
	Q 1848 Bipolar Transistor	LSCR523UB	R 1883	RS1/8SQ101J
	Q 1849 Bipolar Transistor	LSCR523UB	R 1884	RS1/10SR221J
	D 1841 LED	SMLVN6RGB2UK(B)	R 1885	RS1/10SR0R0J
	D 1842 LED	SMLVN6RGB2UK(B)		
F	D 1843 LED	SMLVN6RGB2UK(B)	R 1886	RS1/10SR0R0J
	D 1844 LED	SMLVN6RGB2UK(B)	R 1887	RS1/16SS101J
	D 1845 LED	SMLVN6RGB2UK(B)	R 1888	RS1/16SS101J
	D 1901 SMD Varistor	MLV0402ES012V0010N	R 1941	RS1/10SR222J

B
Unit Number: QWM4243(A,D)
Unit Number: QWM4242(B,C)
Unit Name : Keyboard Unit

MISCELLANEOUS

5
Circuit Symbol and No.

6
Part No.

R 1942		RS1/10SR222J
R 1943		RS1/10SR222J
R 1944		RS1/10SR222J
R 1952	(B,C)	RS1/16SS473J
R 1953	(A,D)	RS1/10SR101J

CAPACITORS

C 1801		CKSRYB105K10
C 1802		CKSRYB105K10
C 1901		CKSRYB105K10
C 1902		CKSRYB104K16
C 1904		CKSRYB105K16
C 1905		CKSRYB105K16
C 1906	4.7 uF	CCG1212
C 1951	10 uF(A,D)	CCG1192
C 1952		CCSSCH470J50
C 1953		CCSSCH470J50

A

B

C

D

E

F