

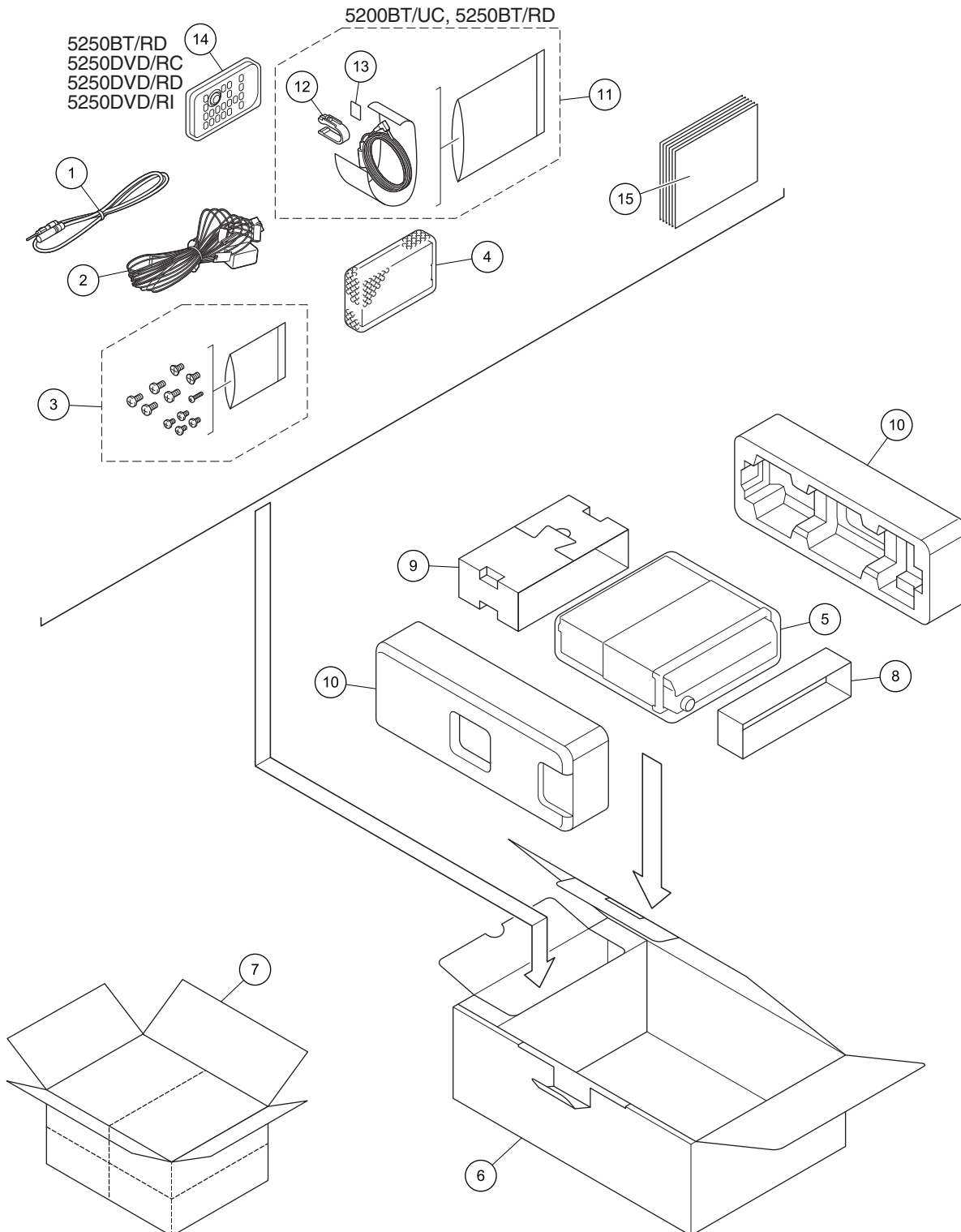


9. EXPLODED VIEWS AND PARTS LIST

NOTES : • Parts marked by " * " are generally unavailable because they are not in our Master Spare Parts List.

- The  mark found on some component parts indicates the importance of the safety factor of the part. Therefore, when replacing, be sure to use parts of identical designation.
- Screw adjacent to  mark on the product are used for disassembly.
- For the applying amount of lubricants or glue, follow the instructions in this manual.
(In the case of no amount instructions, apply as you think it appropriate.)

9.1 PACKING



(1) PACKING SECTION PARTS LIST

<u>Mark No.</u>	<u>Description</u>	<u>Part No.</u>	<u>Mark No.</u>	<u>Description</u>	<u>Part No.</u>
1	Antenna Cable	CDH1376	11	Microphone Assy	See Contrast table (2)
2	Cord Assy	CDP1288	12	Clip Holder	See Contrast table (2)
3	Screw Assy	CEC4353	13	Cushion	See Contrast table (2)
4	Aircap	CEG1081	14	Remote Control Unit	See Contrast table (2)
5	Polyethylene Bag	See Contrast table (2)	15-1	Owner's Manual	See Contrast table (2)
6	Unit Box	See Contrast table (2)	15-2	Owner's Manual	See Contrast table (2)
7	Contain Box	See Contrast table (2)	15-3	Owner's Manual	See Contrast table (2)
8	Protector	CHP2540	15-4	Installation Manual	See Contrast table (2)
9	Protector	CHP3992	* 15-5	Warranty Card	See Contrast table (2)
10	Protector	CHP3993			

(2) CONTRAST TABLE

AVH-P5200BT/XNUC, AVH-P5250BT/XNRD, AVH-P5200DVD/XNUC, AVH-P5250DVD/XNRC, AVH-P5250DVD/XNRD and AVH-P5250DVD/XNRI are constructed the same except for the following:

<u>Mark</u>	<u>No.</u>	<u>Description</u>	<u>AVH-P5200BT/XNUC</u>	<u>AVH-P5250BT/XNRD</u>	<u>AVH-P5200DVD/XNUC</u>
	5	Polyethylene Bag	CEG1185	CEG1042	CEG1185
	6	Unit Box	CHG7311	CHG7312	CHG7313
	7	Contain Box	CHL7311	CHL7312	CHL7313
	11	Microphone Assy	CPM1083	CPM1083	Not Used
	12	Clip Holder	CZN7912	CZN7912	Not Used
	13	Cushion	CZN7913	CZN7913	Not Used
	14	Remote Control Unit	Not Used	CXE2833	Not Used
	15-1	Owner's Manual	CRB3314	CRB3322	CRB3314
	15-2	Owner's Manual	CRB3315	CRB3323	CRB3315
	15-3	Owner's Manual	CRB3316	CRB3326	CRB3316
	15-4	Installation Manual	CRD4484	CRD4487	CRD4484
*	15-5	Warranty Card	CRY1276	Not Used	CRY1276

<u>Mark</u>	<u>No.</u>	<u>Description</u>	<u>AVH-P5250DVD/XNRC</u>	<u>AVH-P5250DVD/XNRD</u>	<u>AVH-P5250DVD/XNRI</u>
	5	Polyethylene Bag	CEG1042	CEG1042	CEG1042
	6	Unit Box	CHG7315	CHG7316	CHG7317
	7	Contain Box	CHL7315	CHL7316	CHL7317
	11	Microphone Assy	Not Used	Not Used	Not Used
	12	Clip Holder	Not Used	Not Used	Not Used
	13	Cushion	Not Used	Not Used	Not Used
	14	Remote Control Unit	CXE2833	CXE2833	CXE2833
	15-1	Owner's Manual	CRB3319	CRB3322	CRB3319
	15-2	Owner's Manual	CRB3320	CRB3323	CRB3324
	15-3	Owner's Manual	CRB3321	CRB3326	Not Used
	15-4	Installation Manual	CRD4486	CRD4487	CRD4488
*	15-5	Warranty Card	Not Used	Not Used	Not Used

Owner's Manual, Installation Manual

<u>Part No.</u>	<u>Language</u>
CRB3314	English
CRB3315	French
CRB3316	Spanish(Espanol)
CRD4484	English, French.Spanish(Espanol)
CRB3319	English
CRB3320	Korean
CRB3321	Traditional Chinese
CRD4486	English, Korean, Traditional Chinese
CRB3322	English
CRB3323	Spanish(Espanol)
CRB3326	Portuguese(B)
CRD4487	English, Spanish(Espanol), Portuguese(B)
CRB3324	Arabic
CRD4488	English, Arabic

9.2 EXTERIOR(1)

1

2

3

4

A

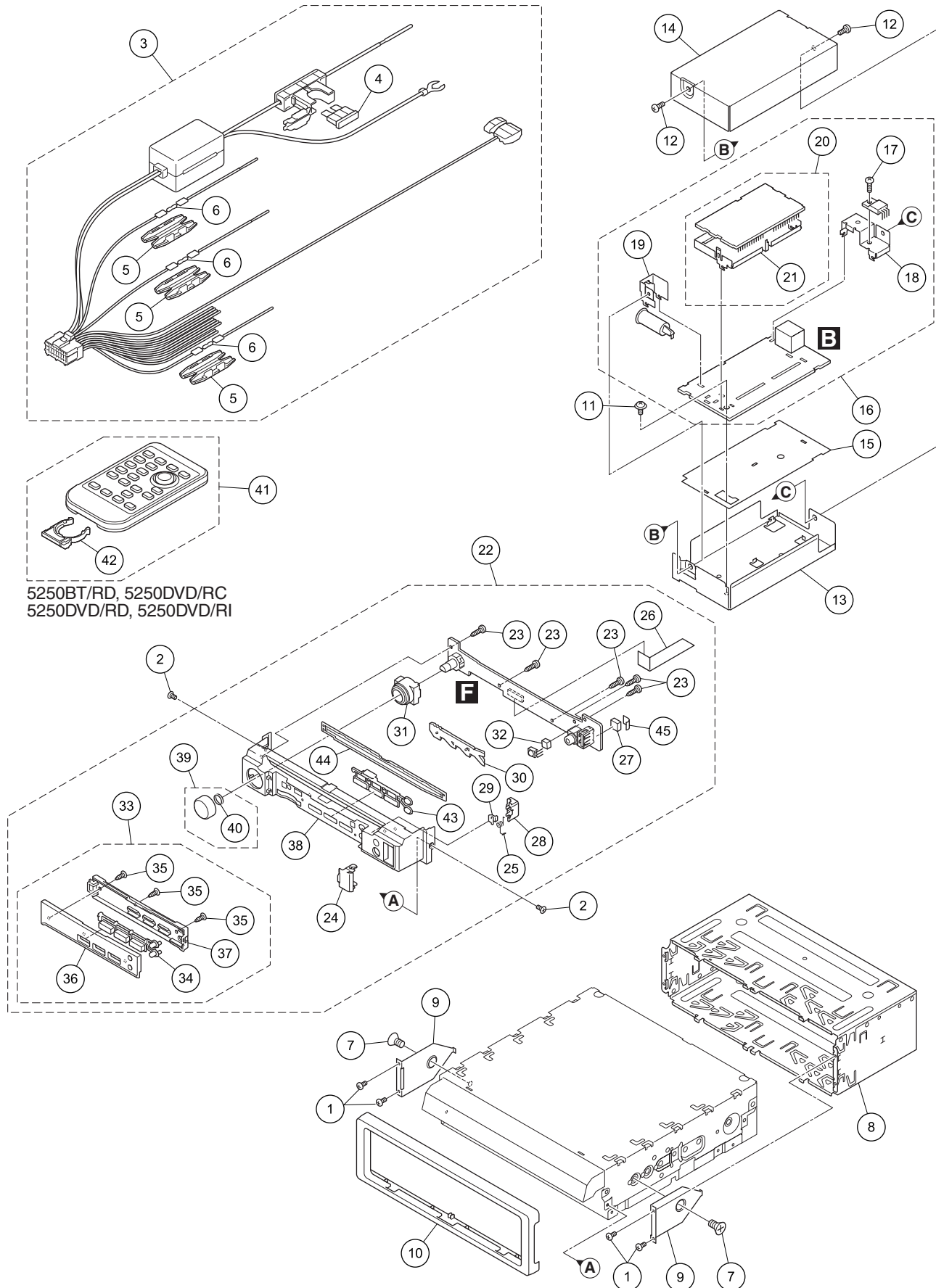
B

C

D

E

F



5250BT/RD, 5250DVD/RC
5250DVD/RD, 5250DVD/RI

1

2

3

4

(1) EXTERIOR(1) SECTION PARTS LIST

<u>Mark No.</u>	<u>Description</u>	<u>Part No.</u>	<u>Mark No.</u>	<u>Description</u>	<u>Part No.</u>
1	Screw	BMZ20P025FTC	24	Door(USB)	CAT2914
2	Screw(M2 x 3)	CBA1877	25	Spring	CBH2997
3	Cord Assy	CDP1288			
⚠ 4	Fuse(10 A)	CEK1136	26	FFC	CDE9140
5	Cap	CNS1472	27	Cushion	CNN3420
			28	Holder	CNV9890
6	Resistor	RS1/2PMF102J	29	Arm	CNV9891
7	Screw	CMZ50P060FTC	30	Lighting Conductor	CNW1805
8	Holder	CND3854			
9	Bracket	CND3855	31	Lighting Conductor	CNW1806
10	Panel	CNS9453	32	Cushion	CNN3049
			33	Detach Grille Assy	See Contrast table (2)
11	Screw	ASZ26P050FTC	34	Button(SRC, <, >)	CAI2734
12	Screw	BSZ26P050FTC	35	Screw(M2 x 6)	CBA2132
13	Chassis	CNA3037			
14	Case	CNB3468	36	Grille	See Contrast table (2)
15	Insulator	CNN3118	37	Cover	CNU1124
			38	Grille Unit	See Contrast table (2)
16	Tuner Box Unit	See Contrast table (2)	39	Knob Unit	CXE2698
17	Screw	BSZ26P060FTC	40	Spring	YBL5010
18	Holder	CND4282			
19	Holder	CND4283	41	Remote Control Unit	See Contrast table (2)
20	FM/AM Tuner Unit	See Contrast table (2)	42	Cover	See Contrast table (2)
			43	Button	CAI2735
21	Holder	CND4325	44	Cover	CNN3221
22	Grille Assy	See Contrast table (2)	45	Sheet	CNN3421
23	Screw	BPZ20P060FTC			

(2) CONTRAST TABLE

AVH-P5200BT/XNUC, AVH-P5250BT/XNRD, AVH-P5200DVD/XNUC, AVH-P5250DVD/XNRC, AVH-P5250DVD/XNRD and AVH-P5250DVD/XNRI are constructed the same except for the following:

Mark	No.	Description	AVH-P5200BT/XNUC	AVH-P5250BT/XNRD	AVH-P5200DVD/XNUC
	16	Tuner Box Unit	CWN3129	CWN3130	CWN3129
	20	FM/AM Tuner Unit	CWE2095	CWE2096	CWE2095
	22	Grille Assy	CXE2638	CXE2639	CXE2633
	33	Detach Grille Assy	CXE2648	CXE2649	CXE2643
	36	Grille	CNU1115	CNU1116	CNU1119
	38	Grille Unit	CXE2696	CXE2696	CXE2697
	41	Remote Control Unit	Not Used	CXE2833	Not Used
	42	Cover	Not Used	CZN5357	Not Used

Mark	No.	Description	AVH-P5250DVD/XNRC	AVH-P5250DVD/XNRD	AVH-P5250DVD/XNRI
	16	Tuner Box Unit	CWN3130	CWN3130	CWN3130
	20	FM/AM Tuner Unit	CWE2096	CWE2096	CWE2096
	22	Grille Assy	CXE2634	CXE2634	CXE2634
	33	Detach Grille Assy	CXE2644	CXE2644	CXE2644
	36	Grille	CNU1120	CNU1120	CNU1120
	38	Grille Unit	CXE2697	CXE2697	CXE2697
	41	Remote Control Unit	CXE2833	CXE2833	CXE2833
	42	Cover	CZN5357	CZN5357	CZN5357

9.3 EXTERIOR(2)

1

2

3

4

A

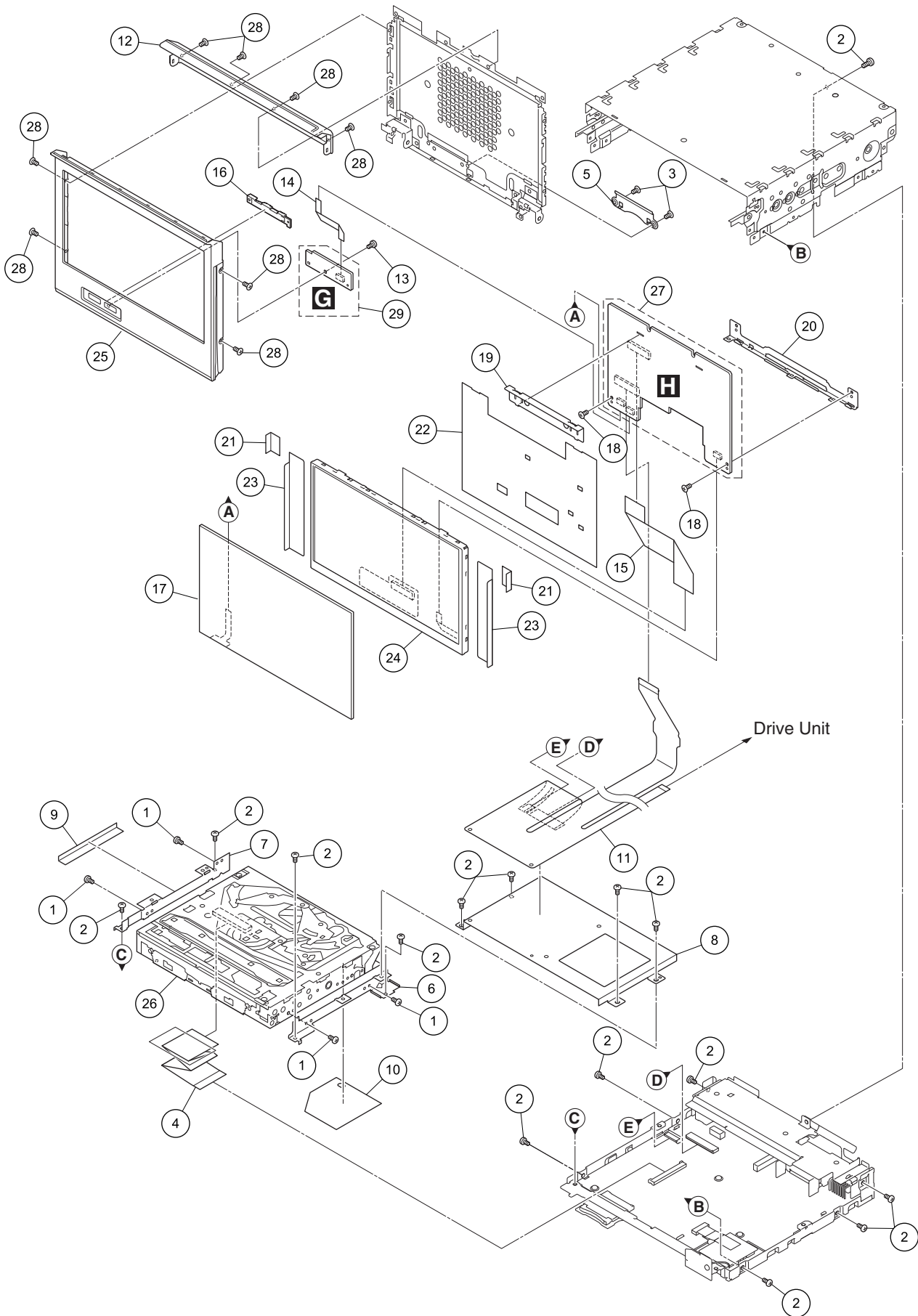
B

C

D

E

F



1

2

3

4

(1) EXTERIOR(2) SECTION PARTS LIST

<u>Mark No.</u>	<u>Description</u>	<u>Part No.</u>	<u>Mark No.</u>	<u>Description</u>	<u>Part No.</u>
1	Screw	BMZ20P025FTC	16	Lighting Conductor	CNW1807
2	Screw	BMZ26P040FTC	17	Touch Panel	CSX1151
3	Screw(M2 x 1.4)	CBA2042	18	Screw(M2 x 2)	CBA1872
4	FFC	CDE9143	19	Holder	CND5507
5	Holder	CND3271	20	Holder	CND5508
6	Bracket	CND3842	21	Sheet	CNN1750
7	Bracket	CND3843	22	Insulator	CNN3223
8	Bracket	CND3845	23	Sheet	CNN3305
9	Insulator	CNN2007	24	LCD	CWX3866
10	Insulator	CNN2764	25	Grille Unit	CXE2699
11	Flexible PCB	CNQ3554	26	DVD Mechanism Module(MS7)	CXK6900
12	Cover	CNU1130	27	Monitor Unit	See Contrast table (2)
13	Screw	BPZ20P060FTC	28	Screw(M2 x 2)	CBA1872
14	FFC	CDE9146	29	Grille Assy	See Contrast table (2)
15	FFC	CDE9147			

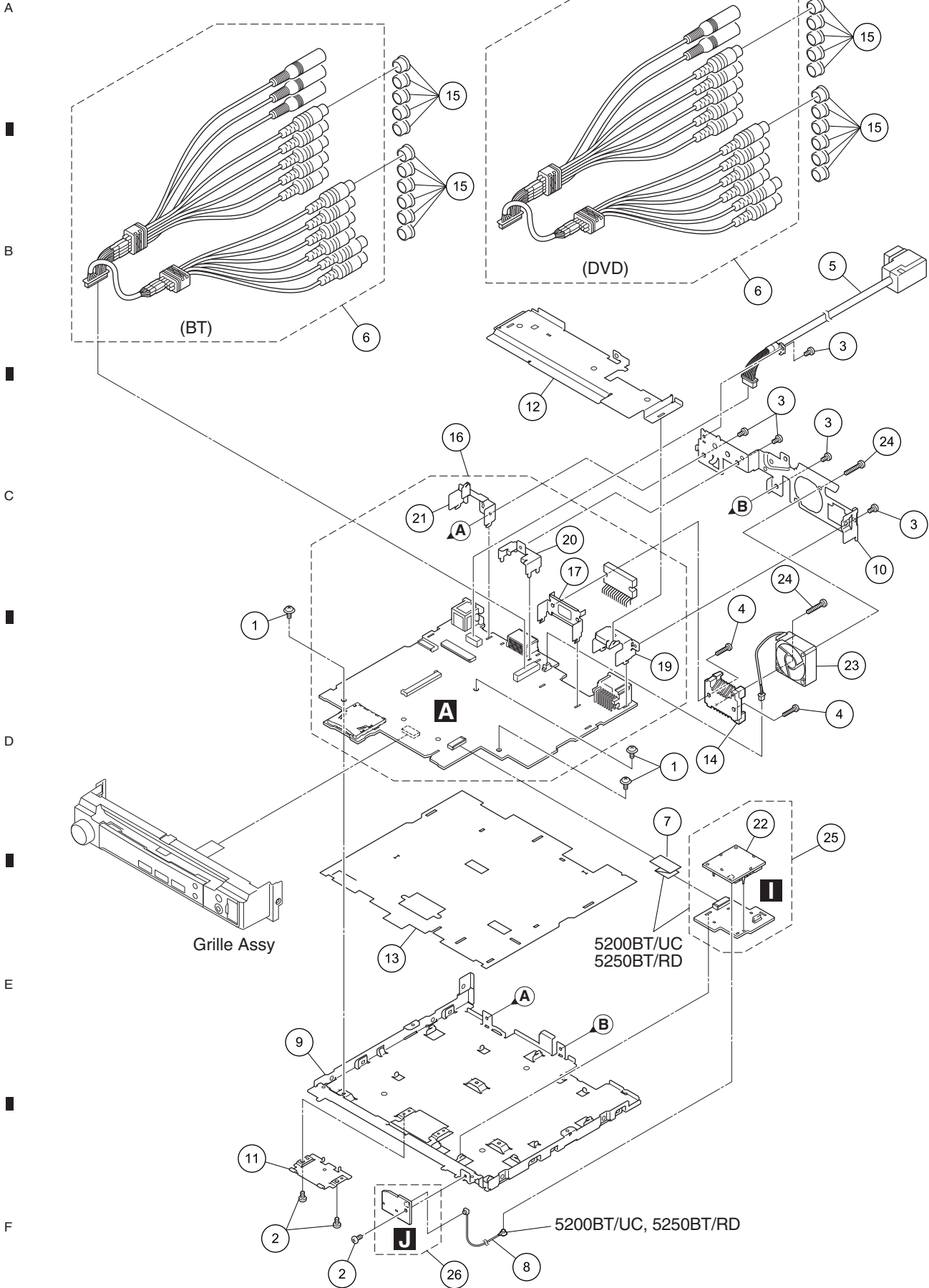
(2) CONTRAST TABLE

AVH-P5200BT/XNUC, AVH-P5250BT/XNRD, AVH-P5200DVD/XNUC, AVH-P5250DVD/XNRC, AVH-P5250DVD/XNRD and AVH-P5250DVD/XNRI are constructed the same except for the following:

Mark	No.	Description	AVH-P5200BT/XNUC	AVH-P5250BT/XNRD	AVH-P5200DVD/XNUC
	27	Monitor Unit	CXX2841(Service)	CXX2841(Service)	CWN4992
	29	Grille Assy	CXE2638	CXE2639	CXE2633

Mark	No.	Description	AVH-P5250DVD/XNRC	AVH-P5250DVD/XNRD	AVH-P5250DVD/XNRI
	27	Monitor Unit	CWN4992	CWN4992	CWN4992
	29	Grille Assy	CXE2634	CXE2634	CXE2634

9.4 EXTERIOR(3)



AVH-P5200BT/XNUC

(1) EXTERIOR(3) SECTION PARTS LIST

<u>Mark No.</u>	<u>Description</u>	<u>Part No.</u>	<u>Mark No.</u>	<u>Description</u>	<u>Part No.</u>
1	Screw	AMZ26P040FTC	15	Cap	CNV6727
2	Screw	BMZ20P025FTC	16	DVD Amp Unit	See Contrast table (2)
3	Screw	BMZ26P040FTC	17	Holder	CND4276
4	Screw	BMZ26P120FTC	18	•••••	
5	Cord Assy	CDE8529	19	Holder	CND5509
6	Cord Assy	See Contrast table (2)	20	Holder	CND5512
7	FFC	See Contrast table (2)	21	Holder	CND5510
8	Cord Assy	See Contrast table (2)	22	Bluetooth Module	See Contrast table (2)
9	Case	CNB3631	23	Fan Motor	CXM1262
10	Panel	See Contrast table (2)	24	Screw	PMZ20P160FTC
11	Holder	CND4167	25	Monitor Unit(BT PCB)	See Contrast table (2)
12	Holder	CND5511	26	Monitor Unit(BT ANT PCB)	See Contrast table (2)
13	Insulator	CNN3224			
14	Heat Sink	CNR1941			

(2) CONTRAST TABLE

AVH-P5200BT/XNUC, AVH-P5250BT/XNRD, AVH-P5200DVD/XNUC, AVH-P5250DVD/XNRC, AVH-P5250DVD/XNRD and AVH-P5250DVD/XNRI are constructed the same except for the following:

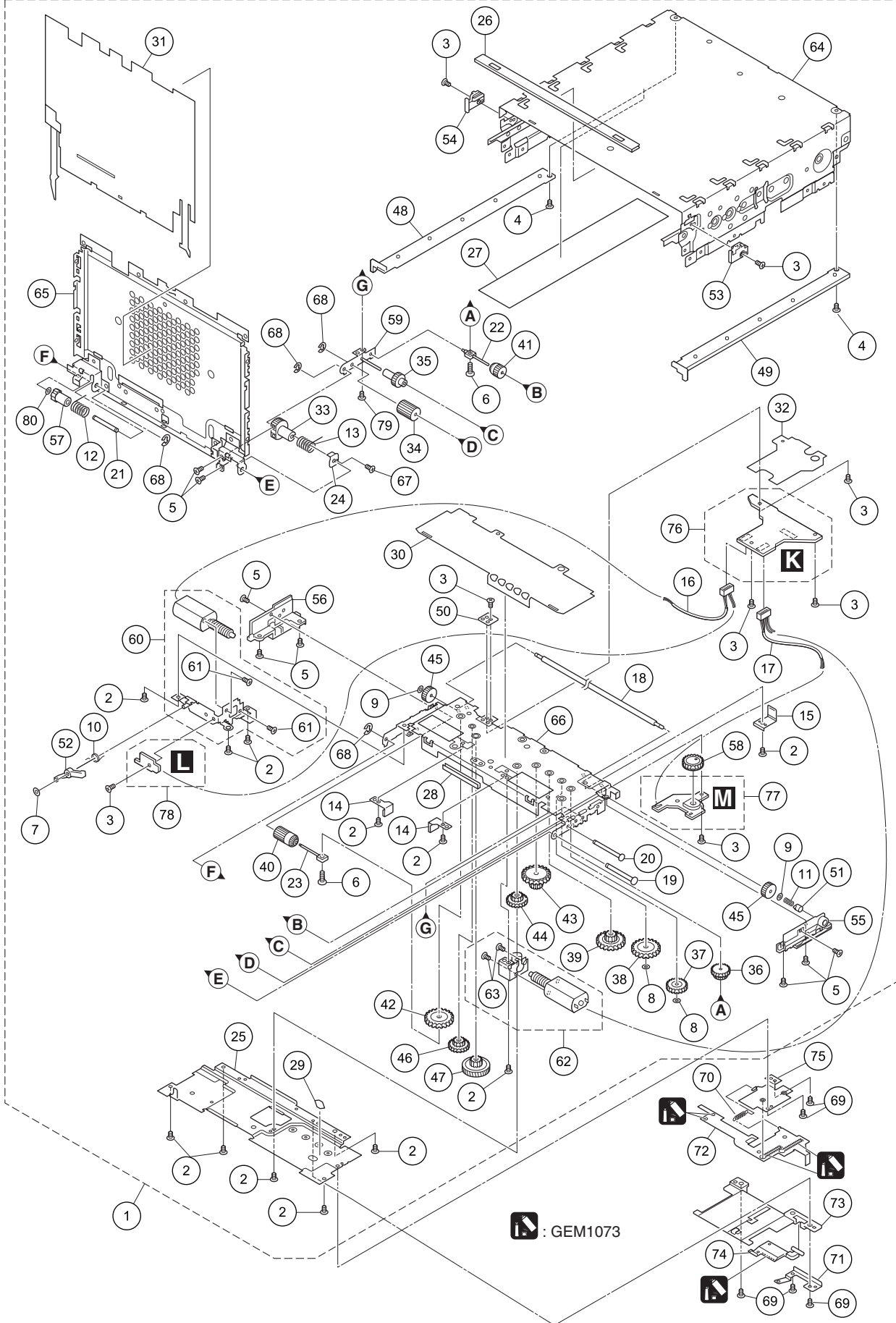
Mark	No.	Description	AVH-P5200BT/XNUC	AVH-P5250BT/XNRD	AVH-P5200DVD/XNUC
	6	Cord Assy	CDE9141	CDE9141	CDE9142
	7	FFC	CDE9144	CDE9144	Not Used
	8	Cord Assy	CDE9145	CDE9145	Not Used
	10	Panel	CNB3651	CNB3632	CNB3651
	16	DVD Amp Unit	CXX2838(Service)	CXX2839(Service)	CWN4979
	22	Bluetooth Module	CWX3865	CWX3865	Not Used
	25	Monitor Unit(BT PCB)	CXX2841(Service)	CXX2841(Service)	Not Used
	26	Monitor Unit(BT ANT PCB)	CXX2841(Service)	CXX2841(Service)	Not Used

Mark	No.	Description	AVH-P5250DVD/XNRC	AVH-P5250DVD/XNRD	AVH-P5250DVD/XNRD
	6	Cord Assy	CDE9142	CDE9142	CDE9142
	7	FFC	Not Used	Not Used	Not Used
	8	Cord Assy	Not Used	Not Used	Not Used
	10	Panel	CNB3632	CNB3632	CNB3632
	16	DVD Amp Unit	CWN4980	CWN4981	CWN4982
	22	Bluetooth Module	Not Used	Not Used	Not Used
	25	Monitor Unit(BT PCB)	Not Used	Not Used	Not Used
	26	Monitor Unit(BT ANT PCB)	Not Used	Not Used	Not Used

9.5 EXTERIOR(4)

The application position of grease is referred to page 122 and page 123.

A
B
C
D
E
F



AVH-P5200BT/XNUC

EXTERIOR(4) SECTION PARTS LIST

<u>Mark No.</u>	<u>Description</u>	<u>Part No.</u>	<u>Mark No.</u>	<u>Description</u>	<u>Part No.</u>
1	Drive Unit	CXC9160	50	Guide	CNV8999
2	Screw(M2 x 2)	CBA2129			
3	Screw(M2 x 1.5)	CBA1615	51	Lever	CNV9000
4	Screw(M2 x 2)	CBA1872	52	Arm	CNV9001
5	Screw(M2 x 3)	CBA1877	53	Guide	CNV9003
			54	Guide	CNV9004
6	Screw(M2.3 x 6)	CBA2027	55	Guide	CNV9534
7	Washer	CBF1037			
8	Washer	CBF1039	56	Guide	CNV9535
9	Washer	CBF1064	57	Shaft	CLA4665
10	Spring	CBH2906	58	Gear	CNW1055
			59	Holder Unit	CXC6145
11	Spring	CBH2907	60	Motor Unit(SLIDE)	CXC6638
12	Spring	CBH3004			
13	Spring	CBH3007	61	Screw	JGZ20P025FTC
14	Spring	CBL1723	62	Motor Unit(ANGLE)	CXC6639
15	Spring	CBL1734	63	Screw	JGZ20P025FTC
			64	Chassis Unit	CXC7638
16	Cord	CDE8127	65	Case Unit	CXC7640
17	Cord	CDE8128			
18	Shaft	CLA4651	66	Frame Unit	CXC9184
19	Shaft	CLA4661	67	Screw	JFZ17P025FTC
20	Shaft	CLA4662	68	Washer	YE15FTC
			69	Screw(M2 x 3)	CBA1877
21	Shaft	CLA4666	70	Spring	CBH2750
22	Shaft	CLA4814			
23	Shaft	CLA4821	71	Spring	CBL1766
24	Holder	CND3245	72	Lever	CND4077
25	Cover	CND3252	73	Cover	CNV9643
			74	Arm	CNV9644
26	Sheet	CNN2791	75	Bracket Unit	CXC7978
27	Sheet	CNN1056			
28	Sheet	CNN1065	*	76 Main PCB Unit	EWX1005
29	Insulator	CNN1068	*	77 Volume PCB Unit	EWX1006
30	Sheet	CNN1349	*	78 Switch PCB Unit	EWX1007
			79	Screw(M2 x 2)	CBA1955
31	Insulator	CNN1583	80	Spacer	CNN2051
32	Insulator	CNN2168			
33	Gear	CNR1855			
34	Gear	CNR1856			
35	Gear	CNR1857			
36	Gear	CNR1859			
37	Gear	CNR1860			
38	Gear	CNR1861			
39	Gear	CNR1862			
40	Gear	CNR1864			
41	Gear	CNR1925			
42	Gear	CNR1926			
43	Gear	CNV8980			
44	Gear	CNV8981			
45	Gear	CNV8983			
46	Gear	CNW2004			
47	Gear	CNW2005			
48	Rack	CNV8995			
49	Rack	CNV8996			

9.6 DVD MECHANISM MODULE

1

2

3

4

A

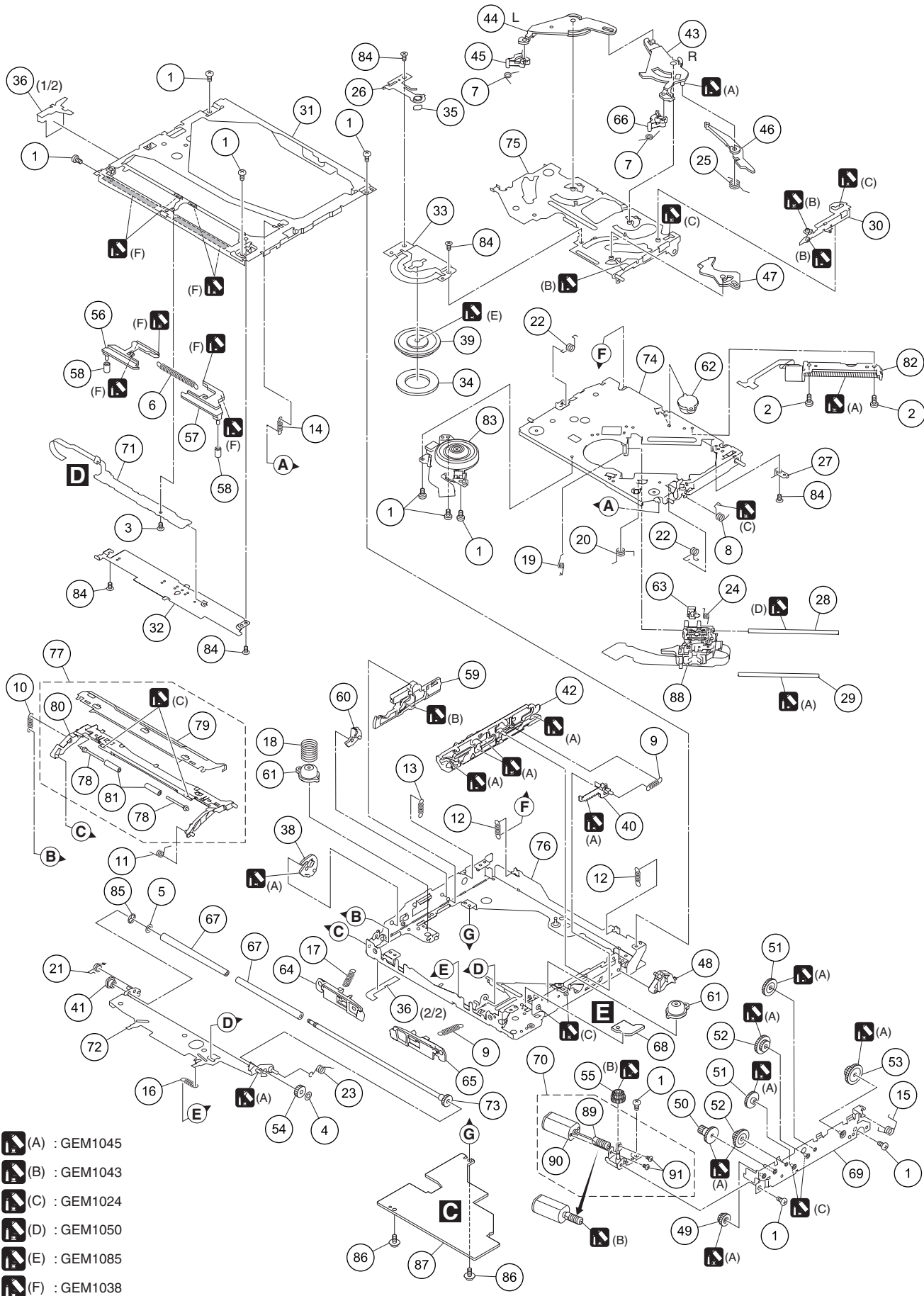
B

C

D

E

F



1

2

3

4

DVD MECHANISM MODULE SECTION PARTS LIST

<u>Mark No.</u>	<u>Description</u>	<u>Part No.</u>	<u>Mark No.</u>	<u>Description</u>	<u>Part No.</u>
1	Screw	BMZ20P020FTC	50	Gear	CNV8875
2	Screw	BMZ20P025FNI			
3	Screw	CBA1787	51	Gear	CNV8876
4	Washer	CBF1038	52	Gear	CNV8877
5	Washer	CBF1064	53	Gear	CNV8878
			54	Gear	CNV8879
6	Spring	CBH2589	55	Gear	CNV8880
7	Spring	CBH2590			
8	Spring	CBH2592	56	Lever	CNV8903
9	Spring	CBH2593	57	Lever	CNV8904
10	Spring	CBH2596	58	Roller	CNV8905
			59	Lever	CNV8908
11	Spring	CBH2597	60	Arm	CNV8909
12	Spring	CBH2599			
13	Spring	CBH2600	61	Damper	CNV9061
14	Spring	CBH2601	62	Damper	CNV9062
15	Spring	CBH2604	63	Rack	CNV9063
			64	Arm	CNV9116
16	Spring	CBH2605	65	Arm	CNV9117
17	Spring	CBH2710			
18	Spring	CBH2711	66	Arm	CNV9577
19	Spring	CBH2890	67	Roller	CNW1816
20	Spring	CBH2935	68	Compound Unit(B)	CWX3559
			69	Bracket Unit	CXB8685
21	Spring	CBH3022	70	Motor Unit(LOAD)(M1)	CXC4912
22	Spring	CBH3023			
23	Spring	CBH3024	71	Compound Unit(A)	CWX3864
24	Spring	CBH3025	72	Arm Unit	CXC5486
25	Spring	CBH3031	73	Roller Unit	CXC5708
			74	Chassis Unit	CXC6443
26	Spring	CBL1689	75	Arm Unit	CXC7872
27	Spring	CBL1726			
28	Shaft	CLA4918	76	Frame Unit	CXE2486
29	Shaft	CLA4919	77	Guide Unit	CXE2585
30	Lever	CNC9933	78	Shaft	CLA4771
			79	Holder	CND5456
31	Frame	CND2250	80	Guide	CNV9569
32	Holder	CND2251			
33	Holder	CND5006	81	Collar	CNV9570
34	Sheet	CNM6883	82	Motor(STEPPING)(M2)	CXM1364
35	Sheet	CNM9407	83	Motor(SPDL)(M3)	CXM1405
			84	Screw	JFZ20P018FTC
36	Sheet	CNM9658	85	Washer	YE20FTC
37				
38	Cam	CNV7156	86	Screw	IMS20P030FTC
39	Clamper	CNV7158	87	DVD Core Unit(MS7)	YWX5010
40	Rack	CNV7175	88	Pickup Unit(Service)	CXX2558
			89	Gear	CNV8913
41	Collar	CNV8845	90	Motor	CXM1321
42	Lever	CNV8865			
43	Arm	CNV8867	91	Screw	JFZ14P020FTC
44	Arm	CNV8868			
45	Arm	CNV8870			
46	Arm	CNV8871			
47	Arm	CNV8872			
48	Arm	CNV8873			
49	Gear	CNV8874			

12. ELECTRICAL PARTS LIST

NOTE:

- Parts whose parts numbers are omitted are subject to being not supplied.
- The part numbers shown below indicate chip components.

Chip Resistor

RS1/OS○○○○J,RS1/○○S○○○○J

Chip Capacitor (except for CQS.....)

CKS....., CCS....., CSZS.....

- The \triangle mark found on some component parts indicates the importance of the safety factor of the part. Therefore, when replacing, be sure to use parts of identical designation.
- Meaning of the figures and others in the parentheses in the parts list.

Example) IC 301 is on the point (face A, 91 of x-axis, and 111 of y-axis) of the corresponding PC board.

IC 301 (A, 91, 111) IC NJM2068V

<u>Circuit Symbol and No.</u>	<u>Part No.</u>
H:AVH-P5200BT/XNUC	
I:AVH-P5250BT/XNRD	
B:AVH-P5200DVD/XNUC	
C:AVH-P5250DVD/XNRC	
D:AVH-P5250DVD/XNRD	
E:AVH-P5250DVD/XNRI	
Unit Number : CXX2838(H)	
Unit Number : CXX2839(I)	
Unit Name : DVD Amp Unit(Service)	
Unit Number : CWN4979(B)	
Unit Number : CWN4980(C)	
Unit Number : CWN4981(D)	
Unit Number : CWN4982(E)	
Unit Name : DVD Amp Unit	
Unit Number : CWN3129(H,B)	
Unit Number : CWN3130(I,C,D,E)	
Unit Name : Tuner BOX Unit	
Unit Number : CWN4996	
Unit Name : Keyboard Unit	
Unit Number : CXX2841(H,I)	
Unit Name : Monitor Unit(Service)	
Unit Number : CWN4992(B,C,D,E)	
Unit Name : Monitor Unit	
Unit Number : EWM5101	
Unit Name : Main PCB Unit	
Unit Number :	
Unit Name : Switch PCB Unit	
Unit Number :	
Unit Name : Volume PCB Unit	
Unit Number : YWX5010	
Unit Name : DVD Core Unit(MS7)	
Unit Number : CWX3864	
Unit Name : Compound Unit(A)	
Unit Number : CWX3559	
Unit Name : Compound Unit(B)	

A

- Unit Number : CXX2838(H)
- Unit Number : CXX2839(I)
- Unit Name : DVD Amp Unit(Service)
- Unit Number : CWN4979(B)
- Unit Number : CWN4980(C)
- Unit Number : CWN4981(D)
- Unit Number : CWN4982(E)
- Unit Name : DVD Amp Unit

MISCELLANEOUS

IC 151	(A,128,158) IC	PA2030A
IC 201	(B,118,123) IC	PML020A
IC 251	(B,66,137) IC	BH7649KS2
IC 301	(B,30,156) IC	HA12241FP
IC 351	(A,74,150) IC	NJM2138V
IC 481	(B,60,172) L-MOS And Gate(I,C,D,E)	TC7SET08FUS1
IC 511	(A,82,49) IC	BH2227AFV
IC 521	(A,118,72) IC	R5523N001B
IC 522	(A,93,49) IC	TC7MBL6126SFK
IC 601	(A,130,109) IC	S-80827CNMB-B8M
IC 602	(A,151,94) IC(H,B)	PE5721A8
	(A,151,94) IC(I,C,D,E)	PE5723A8
IC 801	(A,85,80) IC	MN2DS0018MAUB
IC 802	(A,96,64) Logic IC	TC7SZU04FU
IC 901	(B,72,82) SDRAM(64M)	K4S641632N-LC75
IC 921	(B,109,82) Flash ROM Unit	CWW2021
IC 922	(B,109,95) Flash ROM Unit	CWW2020
IC 923	(B,107,69) IC	TC74LCX16373FT
IC 924	(B,108,60) IC	TC7SZ08FU
IC 941	(A,109,98) D/A Converter	PCM1753DBQ
IC 951	(A,107,64) IC	341S2162
IC 1001	(B,158,131) IC	S-812C33AUA-C2N
IC 1201	(B,88,130) IC	BA00DD0WHFP
IC 1221	(B,93,111) IC	S-1200B50-M5
IC 1501	(B,27,55) IC	BD9017KV
IC 1621	(B,97,120) IC	TK11840L
IC 1761	(B,53,66) IC	PQ012GN01Z

	1	2	3	4
	<u>Circuit Symbol and No.</u>	<u>Part No.</u>	<u>Circuit Symbol and No.</u>	<u>Part No.</u>
			D 127	(B,150,134) Diode RKZ20KG(B2)
	IC 1771	(B,49,49) IC NJM2855DL1-33		
	IC 1781	(B,116,54) Regulator IC(H,I) S-1132B33-U5	D 151	(B,134,144) Diode 1SR154-400
A	IC 2001	(A,17,138) IC TC74VHCT08AFTS1	D 152	(B,137,144) Diode 1SR154-400
	Q 121	(A,141,122) Transistor LTC114EUB	D 153	(B,143,124) Diode DAN202U
	Q 122	(B,148,128) Transistor UMX1N	D 154	(B,139,136) Diode 1SS352
			D 155	(B,148,119) Diode 1SS352
	Q 123	(A,159,120) Transistor UMT1N		
	Q 124	(A,148,125) Transistor LTC114EUB	D 156	(B,141,136) Diode RKZ8.2KG(B2)
	Q 125	(B,148,133) Transistor LSC4081UB	D 161	(A,135,133) Diode DAN202U
	Q 153	(B,152,119) Transistor UMH1N	D 331	(A,60,158) Diode DZ2S068C
	Q 154	(B,146,124) Transistor LSC4081UB	D 332	(A,62,158) Diode DZ2S068C
			D 333	(A,57,158) Diode DZ2S068C
	Q 155	(A,115,145) Transistor UMD3N		
	Q 161	(B,140,118) Chip Digital Transistor LTA124EUB	D 334	(A,59,158) Diode DZ2S068C
	Q 162	(B,140,124) Chip Digital Transistor LTA124EUB	D 361	(A,78,144) Diode RKZ2.4KG(B)
B	Q 163	(B,143,118) Transistor 2SC4116	D 402	(B,95,159) Diode DZ2S068C
	Q 164	(A,136,129) Transistor UMD2N	D 403	(B,95,160) Diode DZ2S068C
			D 407	(A,100,158) Diode(H,I) DZ2S068C
	Q 301	(B,25,153) Transistor UMF23N		
	Q 401	(B,83,153) Transistor RT3C99M	D 408	(A,100,159) Diode(H,I) DZ2S068C
	Q 441	(A,100,142) Transistor RT3C99M	D 481	(B,56,175) Diode(I,C,D,E) DZ2S068C
	Q 442	(A,100,146) Transistor RT3C99M	D 551	(A,99,38) Diode RKZ3.9KG(B2)
	Q 443	(A,100,137) Transistor RT3C99M	D 566	(A,78,36) Diode DZ2S068C
			D 601	(A,134,109) Diode 1SS352
	Q 481	(B,62,175) Transistor(I,C,D,E) LSA1576UB	D 602	(B,148,111) Diode RB751V-40
	Q 541	(A,93,31) Transistor LSA1576UB		
	Q 542	(A,93,39) Transistor LSA1576UB	D 603	(B,150,111) Diode RB501V-40
	Q 543	(A,99,31) Transistor UMF23N	D 781	(A,32,145) Diode(H,B) RSB6R8F2
C	Q 544	(A,93,35) Transistor UMF23N	D 782	(A,34,145) Diode(H,B) RSB6R8F2
	Q 545	(A,86,31) Transistor LTA114EUB	D 783	(A,34,158) Diode RSB6R8F2
			D 784	(A,37,145) Diode RSB6R8F2
	Q 546	(A,85,37) Transistor 2SD2114K		
	Q 601	(B,144,90) Transistor LSC4081UB	D 785	(A,40,145) Diode RSB6R8F2
	Q 751	(B,50,85) Transistor UMD3N	D 786	(A,43,145) Diode RSB6R8F2
	Q 752	(B,55,85) Transistor RT3C99M	D 787	(B,41,155) Diode DZ2S068C
	Q 781	(B,28,145) Transistor(H,B) UMH1N	D 788	(B,36,155) Diode DZ2S068C
			D 981	(B,50,120) Diode 1SS352
	Q 782	(A,26,141) Transistor(H,B) UMH1N		
	Q 941	(B,88,103) Transistor UMD3N	D 1001	(A,167,158) Diode RB160M-30
	Q 942	(B,93,101) Transistor RT3C99M	D 1002	(A,163,152) Diode RKZ18KG(B2)
	Q 951	(A,107,58) Transistor UMD22N	D 1501	(B,35,60) Diode RB551V-30
D	Q 961	(B,47,37) Chip Transistor 2SB1689	D 1502	(B,17,57) Diode RB551V-30
			D 1503	(B,23,115) Diode RB050LA-30
	Q 981	(B,47,125) Transistor FMG12		
	Q 982	(B,43,123) Transistor UMF5N	D 1504	(B,20,115) Diode RB050LA-30
	Q 983	(B,41,123) Transistor UMF5N	D 1621	(A,99,123) Diode HZU13(B1)
	Q 1001	(B,165,131) Transistor 2SB1184F5	D 1622	(A,92,119) Diode RB551V-30
	Q 1002	(A,161,157) Transistor 2SD1664	D 1741	(A,105,157) Diode RKZ6.8KG(B2)
			D 1742	(A,108,157) Diode RKZ8.2KG(B2)
	Q 1101	(A,26,163) Transistor 2SA2060		
	Q 1102	(B,29,164) Transistor LSC4081UB	D 1743	(B,94,165) Diode RKZ9.1KG(B2)
	Q 1501	(B,31,69) FET HAT2210RJ	D 1771	(B,53,43) Diode 1SR154-400
	Q 1502	(B,14,51) FET HAT2210RJ	D 1781	(B,117,47) Diode(H,I) 1SR154-400
E	Q 1621	(A,93,125) Transistor LSC4081UB	L 121	(A,163,122) Chip Coil BTH1101
			L 122	(A,154,122) Chip Coil BTH1101
	Q 1622	(A,95,118) FET RSF014N03		
	Q 1623	(A,103,114) Transistor LTC143EUB	L 123	(A,144,122) Inductor CTF1295
	Q 1741	(A,103,161) Transistor UMF5N	L 301	(B,34,156) Inductor CTF1389
	Q 1742	(A,105,154) Transistor LTC114EUB	L 351	(A,71,145) Inductor CTF1379
	Q 1743	(A,108,154) Transistor LTC114EUB	L 481	(B,57,172) Inductor(I,C,D,E) CTF1389
			L 482	(B,62,171) Inductor(I,C,D,E) CTF1379
	Q 1744	(B,103,164) Transistor 2SD1760F5	L 521	(A,89,51) Inductor CTF1713
	D 101	(A,154,153) Diode 1SR154-400	L 781	(A,32,157) Inductor CTF1748
	D 102	(A,154,157) Diode 1SR154-400		
	D 121	(A,139,122) Diode 1SS352	L 801	(A,69,83) Inductor CTF1743
	D 122	(B,144,134) Diode HZU7L(A1)	L 802	(A,74,64) Inductor CTF1778
			L 803	(A,74,95) Chip Ferrite Bead DTL1107
F	D 123	(B,152,134) Diode HZU7L(C3)	L 901	(B,70,67) Inductor CTF1473
	D 124	(A,157,125) Diode DAN202U	L 921	(B,95,88) Inductor CTF1473
	D 125	(A,163,125) Diode DAN202U		
	D 126	(A,146,122) Diode RKZ5.6KG(B2)	L 922	(B,97,103) Inductor CTF1473

5		6		7		8	
<u>Circuit Symbol and No.</u>		<u>Part No.</u>		<u>Circuit Symbol and No.</u>		<u>Part No.</u>	
L 923	(B,111,58)	Inductor	CTF1473	R 139	(B,147,136)	RS1/16SS103J	
L 981	(B,44,117)	Inductor	CTF1473	R 140	(B,146,136)	RS1/16SS103J	
L 1501	(A,27,60)	Choke Coil 6.8 uH	CTH1434	R 152	(B,139,132)	RS1/16SS102J	
L 1502	(A,27,46)	Inductor	CTH1253	R 153	(B,152,121)	RS1/16SS683J	A
				R 154	(B,150,121)	RS1/16SS152J	
L 1503	(B,27,74)	Inductor	CTF1661				
L 1504	(B,27,68)	Inductor	CTF1661	R 155	(B,150,119)	RS1/16SS683J	
L 1505	(B,10,56)	Inductor	CTF1661	R 156	(B,152,122)	RS1/16SS101J	
L 1506	(B,9,51)	Inductor	CTF1661	R 157	(B,146,121)	RS1/16SS103J	
L 1507	(A,14,107)	Choke Coil 6.8 uH	CTH1434	R 158	(B,141,129)	RS1/16SS104J	
				R 159	(B,142,129)	RS1/16SS473J	
L 1621	(A,94,113)	Inductor	ATH7061				
L 1622	(A,98,113)	Inductor	CTF1735	R 160	(A,117,145)	RS1/16SS103J	
L 1731	(A,51,117)	Inductor	CTH1262	R 161	(A,112,145)	RS1/16SS473J	
X 601	(A,130,98)	Oscillator 3.932 16 MHz	CSS1790	R 162	(B,142,121)	RS1/16SS473J	
X 801	(A,76,99)	Oscillator 27.000 MHz	CSS1791	R 163	(B,144,121)	RS1/16SS472J	
				R 201	(B,105,113)	RS1/16SS0R0J	B
X 802	(A,98,59)	Oscillator 48.000 MHz	CSS1793				
△P331	(A,53,159)	Poly Switch	MINISMDC075F/24	R 202	(A,130,120)	RS1/16SS182J	
△P402	(A,85,149)	Poly Switch	MINISMDC075F/24	R 203	(A,127,136)	RS1/16SS182J	
△P441	(A,85,142)	Poly Switch	MINISMDC075F/24	R 204	(A,129,120)	RS1/16SS272J	
△P781	(A,49,159)	Fuse 0.5 A	CEK1278	R 205	(A,126,136)	RS1/16SS272J	
				R 206	(A,131,123)	RS1/16SS182J	
△P1101	(A,26,157)	Fuse 1.25 A	CEK1281				
△P1501	(A,23,71)	Fuse 6.3 A	CEK1262	R 207	(A,129,136)	RS1/16SS182J	
△P1611	(A,57,54)	Fuse 2.5 A	CEK1285	R 208	(A,132,123)	RS1/16SS272J	
△P1651	(A,54,52)	Fuse 1.75 A	CEK1283	R 209	(A,130,136)	RS1/16SS272J	
△P1711	(A,57,57)	Fuse 1.75 A	CEK1283	R 223	(B,112,133)	RS1/16SS473J	
				R 227	(A,109,114)	RS1/16SS272J	
△P1721	(A,53,59)	Fuse 2.5 A	CEK1285				
△P1731	(A,59,114)	Fuse 1.75 A	CEK1283	R 228	(A,109,113)	RS1/16SS272J	C
△P1741	(A,93,166)	Fuse 0.5 A	CEK1278	R 229	(A,111,114)	RS1/16SS562J	
△P2001	(A,21,132)	Fuse 2 A	CEK1284	R 252	(B,78,145)	RS1/16SS0R0J	
BZ601	(A,123,36)	Buzzer	CPV1063	R 253	(B,63,127)	RS1/16SS471J	
				R 254	(B,62,127)	RS1/16SS471J	
CN101	(A,159,165)	Plug	CKM1516				
CN331	(A,67,172)	Connector	CKS4497	R 255	(B,60,127)	RS1/16SS471J	
CN401	(A,92,150)	Connector	CKS5492	R 256	(B,78,138)	RS1/16SS471J	
CN561	(B,87,55)	Connector	CKS5858	R 257	(B,78,139)	RS1/16SS471J	
CN751	(A,48,88)	Connector	CKS6025	R 259	(A,65,148)	RS1/16SS75R0F	
				R 260	(B,78,132)	RS1/16SS471J	
CN781	(A,38,152)	Connector	CKS4674				
CN795	(A,119,53)	Connector(H,I)	CKS3878	R 261	(B,78,133)	RS1/16SS471J	D
CN961	(A,48,22)	Connector	CKS6180	R 262	(B,58,129)	RS1/16SS471J	
CN1741	(A,98,165)	Connector	CKS4822	R 263	(B,58,131)	RS1/16SS471J	
CN2001	(A,17,125)	Connector	CKS5543	R 264	(B,58,132)	RS1/16SS471J	
				R 265	(B,78,136)	RS1/16SS471J	
CN2021	(A,38,135)	Connector	CKS5732				
JA301	(A,17,164)	Connector	CKS3414	R 266	(B,78,135)	RS1/16SS471J	
JA481	(A,45,165)	Jack(I,C,D,E)	CKN1050	R 267	(A,62,144)	RS1/16SS0R0J	
				R 301	(B,24,150)	RS1/16SS562J	
				R 302	(B,26,150)	RS1/16SS332J	
				R 303	(B,26,163)	RS1/16SS150J	
R 121	(A,137,121)		RS1/16SS103J	R 304	(B,26,161)	RS1/16SS470J	
R 122	(A,159,126)		RS1/16SS473J	R 305	(B,27,163)	RS1/16SS101J	E
R 123	(B,145,132)		RS1/16SS103J	R 306	(B,26,159)	RS1/16SS101J	
R 124	(B,154,132)		RS1/16SS104J	R 307	(B,30,161)	RS1/16SS102J	
R 125	(A,161,120)		RS1/16SS473J	R 308	(A,30,115)	RS1/16SS102J	
R 126	(B,145,134)		RS1/16SS473J	R 309	(B,19,137)	RS1/16SS181J	
R 127	(B,154,134)		RS1/16SS473J	R 310	(B,23,150)	RS1/16SS181J	
R 128	(A,155,120)		RS1/16SS473J	R 311	(B,25,159)	RS1/16SS222J	
R 130	(A,160,126)		RS1/16SS473J	R 312	(B,22,150)	RS1/16SS223J	
R 131	(A,161,122)		RS1/16SS472J	R 313	(B,20,137)	RS1/16SS223J	
R 132	(A,150,124)		RS1/16SS104J	R 314	(B,21,137)	RS1/16SS102J	
R 133	(B,145,136)		RS1/16SS472J	R 315	(B,21,150)	RS1/16SS102J	F
R 134	(A,157,122)		RS1/16SS103J	R 332	(A,59,162)	RS1/16SS471J	
R 135	(A,144,119)		RS1/16SS103J	R 333	(A,57,162)	RS1/16SS471J	
R 136	(A,166,122)		RS1/16SS153J	R 334	(A,62,162)	RS1/16SS102J	

RESISTORS

1

2

3

4

Circuit Symbol and No.**Part No.****Circuit Symbol and No.****Part No.**

	R 335 (A,60,162)	RS1/16SS102J	R 485 (B,64,172)(I,C,D,E)	RS1/16SS103J
	R 351 (A,77,155)	RS1/16SS472J	R 503 (A,86,54)	RS1/16SS333J
	R 352 (A,78,155)	RS1/16SS472J	R 511 (A,89,46)	RS1/10SR0R0J
A	R 353 (A,67,148)	RS1/16SS273J	R 522 (A,119,66)	RS1/16SS472J
	R 354 (A,69,155)	RS1/16SS472J	R 541 (A,95,31)	RS1/16SS104J
	R 355 (A,80,155)	RS1/16SS472J	R 542 (A,96,39)	RS1/16SS104J
	R 356 (A,79,155)	RS1/16SS472J	R 543 (A,97,31)	RS1/16SS473J
	R 357 (A,80,148)	RS1/16SS472J	R 544 (A,97,39)	RS1/16SS473J
	R 358 (A,80,151)	RS1/16SS472J	R 545 (A,100,34)	RS1/16SS104J
	R 359 (A,81,155)	RS1/16SS472J	R 546 (A,90,36)	RS1/16SS104J
	R 360 (A,75,155)	RS1/16SS472J	R 547 (A,98,34)	RS1/16SS473J
	R 361 (A,74,144)	RS1/16SS561J	R 548 (A,90,34)	RS1/16SS473J
	R 364 (A,72,155)	RS1/16SS472J	R 549 (A,84,34)	RS1/16SS103J
	R 365 (A,67,155)	RS1/16SS472J	R 550 (A,90,38)	RS1/16SS472J
B	R 366 (A,65,155)	RS1/16SS472J	R 551 (A,88,33)	RS1/16SS102J
	R 367 (A,68,151)	RS1/16SS472J	R 552 (A,100,36)	RS1/16SS152J
	R 368 (A,68,155)	RS1/16SS273J	R 553 (A,102,36)	RS1/16SS122J
	R 369 (A,77,153)	RS1/16SS101J	R 554 (A,102,34)	RS1/16SS333J
	R 370 (A,80,161)	RS1/16SS221J	R 555 (A,102,32)	RS1/16SS104J
	R 371 (A,77,161)	RS1/16SS221J	R 602 (B,164,95)	RS1/16SS0R0J
	R 372 (A,70,161)	RS1/16SS221J	R 603 (A,130,87)	RS1/16SS102J
	R 373 (A,67,161)	RS1/16SS750J	R 609 (A,133,108)	RS1/16SS104J
	R 375 (A,71,153)	RS1/16SS101J	R 611 (A,135,88)	RS1/16SS102J
	R 376 (A,71,146)	RS1/16SS101J	R 612 (B,138,95)	RS1/16SS104J
	R 377 (A,79,147)	RS1/16SS101J	R 614 (B,138,96)	RS1/16SS104J
C	R 378 (A,70,155)	RS1/16SS472J	R 615 (A,135,106)	RS1/16SS0R0J
	R 401 (B,99,160)	RS1/16SS102J	R 618 (A,135,82)	RS1/16SS473J
	R 402 (B,99,159)	RS1/16SS102J	R 619 (B,138,97)	RS1/16SS102J
	R 403 (B,81,151)	RS1/16SS821J	R 620 (B,141,95)	RS1/16SS473J
	R 404 (B,81,154)	RS1/16SS821J	R 623 (B,139,110)	RS1/16SS472J
	R 405 (B,86,152)	RS1/16SS223J	R 624 (B,138,110)	RS1/16SS472J
	R 406 (B,86,154)	RS1/16SS223J	R 625 (A,139,111)	RS1/16SS471J
	R 407 (B,96,154)	RS1/16SS750J	R 626 (A,140,111)	RS1/16SS471J
	R 408 (B,96,152)	RS1/16SS750J	R 627 (B,141,85)	RS1/16SS473J
	R 441 (B,99,139)	RS1/16SS390J	R 628 (B,142,82)	RS1/16SS473J
D	R 442 (B,99,136)	RS1/16SS390J	R 629 (B,142,85)	RS1/16SS473J
	R 443 (B,99,144)	RS1/16SS390J	R 630 (B,143,85)	RS1/16SS473J
	R 444 (B,99,141)	RS1/16SS390J	R 631 (B,144,103)	RS1/16SS152J
	R 445 (B,99,134)	RS1/16SS390J	R 632 (B,151,85)	RS1/16SS182J
	R 446 (B,99,131)	RS1/16SS390J	R 633 (B,152,85)	RS1/16SS182J
	R 447 (B,99,138)	RS1/16SS223J	R 635 (B,141,101)	RS1/16SS104J
	R 448 (B,99,137)	RS1/16SS223J	R 636 (B,161,110)	RS1/16SS104J
	R 449 (B,99,143)	RS1/16SS223J	R 637 (B,168,88)	RS1/16SS473J
	R 450 (B,99,142)	RS1/16SS223J	R 638 (B,168,87)	RS1/16SS473J
	R 451 (B,99,133)	RS1/16SS223J	R 639 (B,141,91)	RS1/16SS104J
E	R 452 (B,99,132)	RS1/16SS223J	R 640 (B,141,90)	RS1/16SS473J
	R 453 (B,84,151)	RS1/16SS472J	R 641 (B,141,89)	RS1/16SS473J
	R 454 (B,82,151)	RS1/16SS472J	R 642 (B,129,88)	RS1/16SS473J
	R 455 (A,101,139)	RS1/16SS472J	R 643 (A,133,97)	RS1/16SS100J
	R 456 (A,99,139)	RS1/16SS472J	R 645 (A,124,86)	RS1/16SS472J
	R 457 (A,101,144)	RS1/16SS472J	R 646 (B,138,86)	RS1/16SS472J
	R 458 (A,99,144)	RS1/16SS472J	R 647 (B,138,85)	RS1/16SS472J
	R 459 (A,99,149)	RS1/16SS472J	R 648 (B,148,103)(B,C,D,E)	RS1/16SS473J
	R 460 (A,99,148)	RS1/16SS472J	R 649 (B,149,103)(I,C,D)	RS1/16SS473J
	R 461 (B,53,130)	RS1/16SS223J		
	R 462 (B,53,133)	RS1/16SS223J	R 650 (B,150,103)(I,D,E)	RS1/16SS473J
F	R 481 (B,60,168)(I,C,D,E)	RS1/16SS0R0J	R 655 (A,129,75)	RS1/16SS333J
	R 482 (B,60,169)(I,C,D,E)	RS1/16SS473J	R 660 (A,154,110)	RS1/16SS473J
	R 483 (B,57,174)(I,C,D,E)	RS1/16SS121J	R 661 (B,154,85)(H,I)	RS1/16SS473J
	R 484 (B,62,172)(I,C,D,E)	RS1/16SS104J	R 665 (B,155,85)	RS1/16SS473J
			R 667 (B,168,86)(H,B)	RS1/16SS223J

1

2

3

4

5		6		7		8	
<u>Circuit Symbol and No.</u>		<u>Part No.</u>		<u>Circuit Symbol and No.</u>		<u>Part No.</u>	
R 668	(B,164,98)	RS1/16SS104J		R 791	(A,42,142)	RS1/16SS0R0J	
R 671	(A,160,111)	RS1/16SS0R0J		R 792	(A,46,150)(H,B)	RS1/16SS124J	
R 673	(A,159,111)	RS1/16SS0R0J		R 793	(A,48,150)(H,B)	RS1/16SS124J	
R 675	(A,144,110)	RS1/16SS101J		R 801	(A,97,95)	RS1/10SR0R0J	A
R 679	(B,152,82)	RS1/16SS221J		R 802	(A,68,98)	RS1/16SS0R0J	
R 680	(B,151,82)	RS1/16SS221J		R 803	(A,70,79)	RS1/16SS104J	
R 681	(A,136,103)	RS1/16SS101J		R 804	(A,67,82)	RS1/16SS101J	
R 684	(B,141,94)	RS1/16SS104J		R 805	(A,75,97)	RS1/16SS122J	
R 685	(B,141,93)	RS1/16SS104J		R 806	(A,77,97)	RS1/16SS105J	
R 688	(B,135,92)	RS1/16SS273J		R 807	(A,92,59)	RS1/16SS181J	
R 689	(A,135,93)	RS1/16SS0R0J		R 808	(A,81,101)	RS1/16SS101J	
R 691	(A,135,89)	RS1/16SS473J		R 809	(A,81,100)	RS1/16SS101J	
R 697	(A,148,78)	RS1/16SS182J		R 810	(A,81,99)	RS1/16SS101J	
R 698	(A,149,78)	RS1/16SS182J		R 811	(A,82,97)	RS1/16SS221J	
R 701	(A,160,78)	RS1/16SS101J		R 812	(B,90,95)	RS1/10SR24R0D	B
R 702	(B,156,85)	RS1/16SS473J		R 813	(B,92,95)	RS1/10SR24R0D	
R 703	(A,162,78)	RS1/16SS471J		R 814	(B,93,95)	RS1/16SS153J	
R 704	(A,167,83)	RS1/16SS471J		R 815	(B,89,95)	RS1/16SS153J	
R 705	(B,164,102)(H,B)	RS1/16SS223J		R 816	(B,84,67)	RS1/16SS103J	
R 706	(B,164,103)(H,B)	RS1/16SS223J		R 817	(B,85,67)	RS1/16SS103J	
R 707	(B,164,101)(H,B)	RS1/16SS223J		R 818	(B,86,73)	RS1/16SS103J	
R 708	(A,167,85)	RS1/16SS471J		R 819	(B,86,67)	RS1/16SS103J	
R 709	(A,167,105)	RS1/16SS223J		R 820	(A,90,99)	RS1/16SS1002D	
R 710	(B,160,110)	RS1/16SS104J		R 821	(B,86,98)	RS1/16SS2000D	
R 711	(B,154,103)	RS1/16SS473J		R 822	(A,88,99)	RS1/16SS3002D	C
R 712	(B,146,112)	RS1/16SS103J		R 823	(A,91,99)	RS1/16SS2402D	
R 713	(B,152,112)	RS1/16SS104J		R 824	(B,89,68)	RS1/16SS103J	
R 716	(A,138,111)	RS1/16SS153J		R 825	(B,90,69)	RS1/16SS103J	
R 717	(B,164,104)	RS1/16SS223J		R 826	(A,113,66)	RS1/16SS104J	
R 722	(B,148,85)	RS1/16SS104J		R 827	(A,109,71)	RS1/16SS101J	
R 723	(B,149,85)	RS1/16SS104J		R 828	(A,104,56)	RS1/16SS221J	
R 724	(B,150,85)	RS1/16SS471J		R 829	(B,99,57)	RS1/16SS104J	
R 729	(A,167,94)	RS1/16SS0R0J		R 830	(A,107,55)	RS1/16SS221J	
R 730	(A,167,95)	RS1/16SS0R0J		R 831	(B,89,76)	RS1/16SS0R0J	
R 734	(B,153,110)(H,I)	RS1/16SS473J		R 833	(B,88,73)	RS1/16SS104J	
R 735	(B,154,110)(E)	RS1/16SS473J		R 834	(A,91,59)	RS1/16SS181J	D
R 736	(B,155,110)(C)	RS1/16SS473J		R 835	(B,95,77)	RS1/16SS472J	
R 751	(B,47,86)	RS1/16SS102J		R 836	(A,106,74)	RS1/16SS104J	
R 752	(B,50,83)	RS1/16SS471J		R 837	(A,102,69)	RS1/16SS104J	
R 753	(A,55,82)	RS1/16SS102J		R 838	(B,95,78)	RS1/16SS102J	
R 754	(A,55,83)	RS1/16SS221J		R 839	(B,95,79)	RS1/16SS102J	
R 755	(A,55,84)	RS1/16SS221J		R 841	(A,95,62)	RS1/16SS105J	
R 756	(A,55,85)	RS1/16SS221J		R 842	(A,94,62)	RS1/16SS681J	
R 757	(A,55,86)	RS1/16SS221J		R 843	(A,102,68)	RS1/16SS221J	
R 760	(A,55,92)	RS1/16SS0R0J		R 844	(A,107,77)	RS1/16SS221J	
R 761	(A,55,98)(I,C,D,E)	RS1/16SS101J		R 845	(A,111,77)	RS1/16SS104J	E
R 762	(B,52,83)	RS1/16SS472J		R 846	(A,111,71)	RS1/16SS102J	
R 763	(B,52,84)	RS1/16SS472J		R 847	(A,103,58)	RS1/16SS103J	
R 770	(A,135,101)	RS1/10SR0R0J		R 848	(A,109,77)	RS1/10SR472J	
R 771	(A,132,85)	RS1/10SR0R0J		R 849	(A,77,61)	RS1/16SS220J	
R 772	(A,152,77)	RS1/10SR0R0J		R 850	(A,75,64)	RS1/16SS220J	
R 773	(A,167,102)	RS1/10SR0R0J		R 851	(A,73,64)	RS1/16SS220J	
R 774	(A,151,111)	RS1/10SR0R0J		R 852	(A,70,67)	RS1/16SS101J	
R 781	(A,47,150)	RS1/16SS0R0J		R 853	(A,76,61)	RS1/16SS220J	
R 783	(A,31,157)	RS1/16SS0R0J		R 855	(A,72,64)	RS1/16SS220J	
R 784	(B,32,147)(H,B)	RS1/16SS0R0J		R 856	(A,74,62)	RS1/16SS391J	F
R 785	(B,27,143)(H,B)	RS1/16SS0R0J		R 866	(A,102,58)	RS1/16SS103J	
R 786	(A,24,141)(H,B)	RS1/16SS0R0J		R 867	(B,92,68)	RS1/16SS104J	
R 787	(A,28,142)(H,B)	RS1/16SS0R0J		R 868	(A,70,68)	RS1/16SS101J	
R 788	(A,40,142)	RS1/16SS0R0J		R 871	(A,66,94)	RS1/16SS0R0J	
R 789	(A,41,142)	RS1/16SS0R0J					

	1	2	3	4
	<u>Circuit Symbol and No.</u>	<u>Part No.</u>	<u>Circuit Symbol and No.</u>	<u>Part No.</u>
A	R 872 (B,99,73)	RS1/16SS473J	R 991 (B,41,120)	RS1/16SS103J
	R 873 (B,97,73)	RS1/16SS101J	R 992 (B,42,120)	RS1/16SS103J
	R 874 (A,70,69)	RS1/16SS101J	R 993 (B,40,120)	RS1/16SS103J
	R 875 (A,70,70)	RS1/16SS101J	R 1001 (B,160,135)	RS1/16SS391J
	R 901 (B,81,90)	RAB4CQ560J	R 1002 (A,166,155)	RS1/10SR2R2J
R 902 (B,81,85)	RAB4CQ560J	R 1003 (A,166,152)	RS1/10SR2R2J	
R 903 (B,81,80)	RAB4CQ560J	R 1004 (A,168,155)	RS1/10SR2R2J	
R 904 (B,81,77)	RAB4CQ560J	R 1005 (A,168,152)	RS1/10SR2R2J	
R 905 (B,81,74)	RAB4CQ560J	R 1006 (A,165,156)	RS1/16SS391J	
R 906 (B,63,90)	RAB4CQ560J	R 1101 (A,26,159)	RS1/16SS103J	
R 907 (B,63,85)	RAB4CQ560J	R 1102 (A,29,158)	RS1/4SA391J	
R 908 (B,63,77)	RAB4CQ560J	R 1103 (B,27,167)	RS1/16SS103J	
R 909 (B,63,74)	RAB4CQ560J	R 1104 (B,27,168)	RS1/16SS562J	
R 910 (B,63,81)	RS1/16SS560J	R 1105 (A,32,162)	RS1/4SA391J	
R 911 (B,63,80)	RS1/16SS0R0J	R 1201 (B,82,128)	RS1/16SS5602D	
R 924 (B,122,81)	RS1/16SS221J	R 1202 (B,82,130)	RS1/16SS0R0J	
R 925 (B,97,77)	RS1/16SS104J	R 1203 (B,82,132)	RS1/16SS1002D	
R 926 (B,122,94)	RS1/16SS221J	R 1204 (B,94,128)	RS1/16SS102J	
R 927 (B,97,97)	RS1/16SS104J	R 1205 (B,94,130)	RS1/16SS683J	
R 929 (B,97,90)	RS1/16SS472J	R 1503 (B,35,52)	RS1/16SS221J	
R 930 (B,105,61)	RS1/16SS331J	R 1504 (B,37,53)	RS1/16SS2202D	
R 933 (A,91,63)	RAB4CQ151J	R 1505 (B,35,53)	RS1/16SS3302D	
R 934 (A,88,64)	RAB4CQ151J	R 1506 (B,35,54)	RS1/16SS1002D	
R 935 (A,84,63)	RAB4CQ151J	R 1507 (B,35,51)	RS1/16SS103J	
R 936 (A,81,63)	RAB4CQ151J	R 1508 (B,30,63)	RS1/10SR2R2J	
R 937 (A,70,71)	RS1/16SS151J	R 1509 (B,31,63)	RS1/10SR6R8J	
R 941 (A,104,97)	RS1/16SS821J	R 1512 (B,27,48)	RS1/16SS104J	
R 942 (A,104,96)	RS1/16SS821J	R 1513 (B,26,48)	RS1/16SS102J	
R 943 (A,96,99)	RS1/16SS104J	R 1514 (B,22,47)	RS1/16SS822J	
R 944 (A,96,97)	RS1/16SS104J	R 1515 (B,18,54)	RS1/10SR2R2J	
R 945 (A,103,101)	RS1/16SS0R0J	R 1516 (B,13,57)	RS1/10SR6R8J	
R 946 (B,84,120)	RS1/16SS102J	R 1517 (B,20,48)	RS1/16SS8202D	
R 947 (B,91,103)	RS1/16SS472J	R 1518 (B,22,48)	RS1/16SS1001D	
R 948 (B,93,103)	RS1/16SS472J	R 1519 (B,22,49)	RS1/16SS331J	
R 952 (A,112,63)	RS1/16SS102J	R 1520 (B,22,50)	RS1/16SS9101D	
R 953 (A,103,65)	RS1/16SS101J	R 1522 (B,35,63)	RS1/10SR2R2J	
R 954 (A,103,64)	RS1/16SS101J	R 1523 (B,20,57)	RS1/10SR2R2J	
R 955 (A,110,60)	RS1/16SS104J	R 1621 (A,96,123)	RS1/16SS681J	
R 956 (A,104,61)	RS1/16SS1003F	R 1622 (B,102,123)	RS1/16SS0R0J	
R 958 (A,112,65)	RS1/16SS103J	R 1623 (B,102,122)	RS1/16SS3003D	
R 961 (B,45,37)	RS1/16SS103J	R 1624 (B,100,122)	RS1/16SS1102D	
R 962 (B,57,33)	RS1/16SS0R0J	R 1625 (B,94,119)	RS1/16SS512J	
R 963 (B,51,33)	RS1/16SS0R0J	R 1626 (B,94,118)	RS1/16SS0R0J	
R 964 (B,45,33)	RS1/16SS0R0J	R 1627 (B,101,119)	RS1/16SS621J	
R 965 (B,36,33)	RS1/16SS0R0J	R 1628 (A,101,112)	RS1/16SS0R0J	
R 966 (B,33,33)	RS1/16SS0R0J	R 1629 (A,100,115)	RS1/10SR4701D	
R 967 (B,51,37)	RS1/16SS102J	R 1661 (A,18,144)	RS1/16SS0R0J	
R 968 (B,42,36)	RAB4CQ223J	R 1741 (A,106,164)	RS1/16SS271J	
R 969 (B,53,36)	RAB4CQ223J	R 1742 (A,105,164)	RS1/16SS271J	
R 970 (B,46,35)	RS1/16SS681J	R 1743 (A,105,166)	RS1/16SS271J	
R 971 (A,61,40)	RS1/16SS101J	R 1744 (A,102,166)	RS1/16SS473J	
R 972 (A,58,39)	RS1/16SS101J	R 1745 (A,102,164)	RS1/16SS103J	
R 973 (A,45,40)	RS1/16SS101J	R 2001 (B,20,123)	RS1/16SS102J	
R 974 (A,43,40)	RS1/16SS101J	R 2002 (B,18,123)	RS1/16SS102J	
R 975 (A,58,40)	RS1/16SS220J	R 2003 (B,16,123)	RS1/16SS102J	
R 981 (B,50,127)	RS1/16SS102J	R 2004 (B,13,123)	RS1/16SS102J	
R 986 (B,45,127)	RS1/16SS102J	R 2005 (B,14,123)	RS1/16SS102J	
R 987 (B,43,127)	RS1/16SS105J	R 2006 (B,12,123)	RS1/16SS102J	
R 988 (B,41,127)	RS1/16SS105J	R 2007 (A,15,132)	RS1/16SS102J	
R 990 (B,43,120)	RS1/16SS103J	R 2008 (A,16,132)	RS1/16SS102J	

5		6		7		8	
<u>Circuit Symbol and No.</u>		<u>Part No.</u>		<u>Circuit Symbol and No.</u>		<u>Part No.</u>	
R 2009	(A,17,132)	RS1/16SS102J		C 253	(B,68,125)	CKSRYB105K10	
CAPACITORS				C 254	(B,65,125)	CKSRYB105K10	
C 121	(A,152,126)	CKSRYB104K50		C 255	(B,63,125)	CKSRYB105K10	
C 122	(A,142,125)	CKSRYB105K10		C 256	(B,60,125)	CKSRYB105K10	
C 123	(A,139,125)	CKSRYB104K50		C 257	(B,55,129)	CKSRYB105K10	A
C 124	(B,144,137)	CKSRYB104K50		C 258	(B,55,132)	CKSRYB105K10	
C 125	(A,146,125)	CKSRYB104K50		C 259	(B,55,135)	CKSRYB105K10	
C 126	(A,155,126)	CKSRYB103K50		C 260	(B,55,138)	CKSRYB105K10	
C 127	(A,166,126)	CKSRYB104K50		C 264	(B,59,127)	CKSSYB104K10	
C 128	(A,144,125)	CKSRYB104K50		C 265	(B,69,127)	CKSSYB104K10	
C 151	(A,125,143)	CKSRYB474K16		C 266	(A,72,124)	CEVLW220M16	
C 152	(A,127,143)	CKSRYB474K16		C 270	(B,62,125)	CKSRYB105K10	
C 153	(A,132,143)	CKSRYB474K16		C 271	(B,76,135)	CKSRYB105K10	
C 154	(A,130,143)	CKSRYB474K16		C 272	(B,76,136)	CKSRYB105K10	
C 155	(A,125,147)	CKSQYB474K16		C 273	(B,76,138)	CKSRYB105K10	B
C 156	(A,127,147)	CKSQYB474K16		C 274	(B,76,139)	CKSRYB105K10	
C 157	(A,132,147)	CKSQYB474K16		C 275	(B,55,131)	CKSRYB105K10	
C 158	(A,130,147)	CKSQYB474K16		C 276	(B,76,142)	CKSRYB105K10	
C 159	(B,140,141)	CKSQYB104K50		C 277	(B,76,144)	CKSRYB105K10	
C 160	(A,148,134)	CEVLW470M16		C 279	(B,71,147)	CKSRYB105K10	
C 161	(B,150,123) 4.7 uF	CCG1201		C 280	(B,55,137)	CKSRYB105K10	
C 162	(B,126,146)	CKSQYB225K16		C 283	(B,76,133)	CKSRYB105K10	
C 163	(A,146,156)	CKSRYB104K50		C 284	(B,76,132)	CKSRYB105K10	
C 164	(B,121,146) 10 uF	CCG1236		C 287	(B,58,142)	CKSSYB104K10	
C 165	(B,130,146)	CKSQYB225K16		C 288	(A,60,139)	CEVLW220M16	
C 166	(B,148,123) 10 uF	DCH1201		C 289	(B,58,137)	CKSSYB104K10	C
C 167	(A,154,145)	CEAT102M16(P30)		C 290	(A,73,139)	CEVLW220M16	
C 168	(A,140,134)	CEVLW470M16		C 291	(B,70,146)	CKSSYB104K10	
C 206	(B,118,114)(H,I)	CKSRYB105K10		C 293	(B,67,147)	CKSRYB104K16	
C 207	(B,120,114)	CKSRYB105K10		C 294	(B,64,147)	CKSRYB104K16	
C 208	(B,118,133)	CKSRYB105K10		C 301	(B,27,161)	CKSSYB102K50	
C 211	(B,116,114)	CKSRYB105K10		C 302	(B,26,157)	CKSSYB102K50	
C 212	(B,117,133)	CKSRYB105K10		C 303	(B,29,161)	CKSSYB104K10	
C 213	(B,115,114)	CKSRYB105K10		C 304	(B,25,166)	CKSRYB104K50	
C 214	(B,115,133)	CKSRYB105K10		C 305	(B,26,165)	CKSSYB471K50	
C 215	(B,113,114)	CKSRYB105K10		C 306	(B,25,163)	CKSSYB471K50	D
C 216	(B,112,114)	CKSRYB105K10		C 351	(A,79,148)	CCSSCH6R0D50	
C 217	(B,126,113)	CKSRYB105K10		C 352	(A,79,151)	CCSSCH6R0D50	
C 218	(B,129,116)	CKSRYB105K10		C 353	(A,68,148)	CCSSCH6R0D50	
C 219	(B,124,133)	CKSRYB105K10		C 354	(A,69,151)	CCSSCH6R0D50	
C 220	(B,122,133)	CKSRYB105K10		C 355	(A,77,146) 2.2 uF	CCG1218	
C 221	(B,120,133)	CKSRYB105K10		C 356	(A,74,145)	CKSSYB104K10	
C 222	(B,109,118)	CKSQYB225K10		C 358	(A,81,159)	CKSQYB106K6R3	
C 225	(B,109,120)	CKSRYB474K16		C 359	(A,79,159) 22 uF	DCH1256	
C 226	(B,107,122) 10 uF	CCG1182		C 360	(A,77,159) 22 uF	DCH1256	
C 227	(B,106,120)	CKSSYB104K10		C 361	(A,75,159)	CKSQYB106K6R3	
C 228	(A,115,118)	CEVLW470M16		C 362	(A,72,159)	CKSQYB106K6R3	E
C 229	(B,114,133)	CKSSYB104K10		C 363	(A,70,159) 22 uF	DCH1256	
C 231	(B,129,126)	CKSRYB104K16		C 364	(A,67,159)	CKSQYB106K6R3	
C 232	(A,122,129)	CEVLW470M16		C 365	(A,65,159)	CKSQYB106K6R3	
C 233	(B,129,123) 10 uF	CCG1182		C 366	(A,85,161)	CKSRYB104K50	
C 234	(B,124,114)	CCSQCH223J50		C 401	(B,92,156)	CKSRYB104K50	
C 235	(B,122,114)	CCSQCH223J50		C 402	(B,79,151) 4.7 uF	CCG1201	
C 237	(B,110,122)	CCSSCH100D50		C 403	(B,79,154) 4.7 uF	CCG1201	
C 238	(B,126,124)	CCSSCH100D50		C 404	(B,92,153)	CKSRYB104K50	
C 251	(B,73,125)	CKSRYB105K10		C 405	(B,85,157)	CKSRYB104K50	
C 252	(B,70,125)	CKSRYB105K10		C 413	(A,74,114)	CKSSYB104K10	F
				C 415	(B,43,156)	CKSSYB104K16	
				C 416	(A,35,160)	CKSSYB104K10	
				C 441	(B,102,138) 4.7 uF	CCG1201	

1

2

3

4

Circuit Symbol and No.Part No.Circuit Symbol and No.Part No.

	C 442	(B,102,136) 4.7 uF	CCG1201				
	C 443	(B,102,143) 4.7 uF	CCG1201	C 825	(A,96,62)	CKSSYB104K10	
	C 444	(B,102,141) 4.7 uF	CCG1201	C 826	(A,106,77)	CKSSYB103K16	
A	C 445	(B,102,134) 4.7 uF	CCG1201	C 827	(A,83,97)	CCSSCH100D50	
	C 446	(B,102,132) 4.7 uF	CCG1201	C 832	(A,100,91)	CKSSYB104K10	
				C 833	(B,95,83)	CKSSYB104K10	
	C 482	(B,60,174)(I,C,D,E)	CKSSYB104K10				
	C 514	(A,86,46)	CKSQYB225K10	C 834	(B,96,75)	CKSSYB104K10	
	C 521	(A,93,46)	CKSSYB104K10	C 835	(A,100,83)	CKSSYB104K10	
	C 522	(A,119,69)	CKSSYB104K10	C 836	(A,100,94)	CKSQYB106K6R3	
	C 523	(A,119,67)	CKSRYB105K10	C 837	(A,100,85)	CKSSYB104K10	
	C 524	(A,117,69)	CKSSYB105K6R3	C 838	(A,95,59)	CCSSCH8R0D50	
	C 541	(A,101,32)	CKSSYB471K50	C 839	(A,99,64)	CCSSCH150J50	
	C 562	(A,80,36)	CKSRYB104K50	C 840	(A,70,96)	CKSQYB106K6R3	
	C 563	(A,85,52)	CCSRCH101J50	C 841	(A,68,94)	CKSQYB106K6R3	
B	C 564	(A,80,55)	CKSQYB225K16	C 901	(B,80,93)	CKSSYB104K10	
	C 601	(A,131,107)	CKSRYB105K10	C 902	(B,75,95)	CKSSYB104K10	
	C 602	(A,135,100)	CKSSYB104K10	C 903	(B,82,87)	CKSSYB104K10	
	C 603	(B,142,100)	CKSQYB475K6R3	C 904	(B,81,83)	CKSSYB104K10	
	C 604	(A,135,85)	CKSSYB104K10	C 905	(B,78,70)	CKSSYB104K10	
	C 605	(A,135,105)	CKSSYB104K10	C 906	(A,67,84)	CKSSYB104K10	
	C 606	(A,151,110)	CKSSYB104K10	C 907	(A,69,90)	CKSSYB104K10	
	C 607	(A,152,79)	CKSSYB104K10	C 908	(B,68,67)	CKSSYB102K50	
	C 608	(A,166,100)	CKSSYB104K10	C 909	(B,66,68)	CKSQYB106K6R3	
	C 609	(A,133,99)	CCSSCH150J50	C 921	(B,122,82)	CKSSYB103K16	
	C 610	(A,133,95)	CCSSCH150J50	C 922	(B,97,81)	CKSSYB104K10	
C	C 611	(B,141,110)	CKSSYB104K10	C 923	(B,97,86)	CKSQYB475K6R3	
	C 612	(A,145,110)	CKSSYB103K16	C 924	(B,122,95)	CKSSYB103K16	
	C 614	(B,149,82)	CKSSYB104K10	C 925	(B,97,95)	CKSSYB104K10	
	C 615	(B,150,82)	CKSSYB104K10	C 926	(B,101,103)	CKSQYB475K6R3	
	C 616	(B,147,103)	CKSSYB681K50	C 927	(A,105,76)	CKSSYB104K10	
	C 751	(A,56,79)	CKSSYB104K10	C 928	(A,104,68)	CKSSYB104K10	
	C 752	(A,57,76)	CKSSYB104K10	C 929	(A,110,75)	CKSSYB104K10	
	C 781	(A,50,159)	CKSSYB103K16	C 930	(B,109,63)	CKSSYB104K10	
	C 782	(A,46,153)(H,B)	CKSRYB224K16	C 931	(B,111,60)	CKSSYB104K10	
	C 783	(A,48,153)(H,B)	CKSRYB224K16	C 941	(A,101,99)	CCSRCH182J50	
	C 793	(A,109,42)(H,I)	CEVLW221M4	C 942	(A,101,97)	CCSRCH182J50	
D	C 794	(A,109,35)(H,I)	CEVLW221M4	C 943	(A,104,99)	CKSSYB104K10	
	C 801	(A,71,81)	CKSSYB104K10	C 944	(A,99,97)	CKSQYB475K6R3	
	C 802	(A,71,90)	CKSSYB104K10	C 945	(A,99,100)	CKSQYB475K6R3	
	C 803	(A,71,87)	CKSSYB104K10	C 946	(A,114,97) 10 uF	DCH1201	
	C 804	(A,70,84)	CKSSYB104K10	C 951	(A,112,64)	CKSSYB104K10	
	C 805	(A,71,77)	CKSSYB104K10	C 952	(A,112,68)	CKSSYB104K10	
	C 806	(A,71,75)	CKSSYB104K10	C 961	(B,44,41)	CKSQYB225K10	
	C 807	(A,71,72)	CKSSYB104K10	C 964	(B,50,37)	CKSSYB104K10	
	C 808	(A,75,96)	CCSSCH120J50	C 970	(A,61,41)	CCSSCH100D50	
	C 809	(A,76,95)	CKSSYB104K10	C 971	(A,60,40)	CCSSCH100D50	
E	C 810	(B,76,68)	CKSSYB104K10	C 972	(A,46,41)	CCSSCH100D50	
	C 811	(A,79,97)	CCSSCH100D50	C 973	(A,44,41)	CCSSCH100D50	
	C 812	(A,79,95)	CKSSYB104K10	C 974	(A,58,41)	CCSSCH100D50	
	C 813	(B,82,92)	CKSSYB104K10	C 981	(B,50,125)	CKSSYB473K16	
	C 814	(B,80,69)	CKSSYB104K10	C 982	(B,45,125)	CKSSYB473K16	
	C 815	(A,87,97)	CKSRYB105K10	C 983	(B,42,127)	CKSSYB102K50	
	C 816	(A,82,66)	CKSSYB104K10	C 984	(B,40,127)	CKSSYB102K50	
	C 817	(B,84,92)	CKSSYB104K10	C 985	(B,45,119)	CKSSYB104K10	
	C 818	(A,89,99)	CKSSYB104K10	C 1001	(A,162,134)	CEVLW470M6R3	
	C 819	(A,91,97)	CKSSYB104K10	C 1002	(B,159,135)	CKSSYB103K16	
F	C 820	(A,90,97)	CKSRYB105K10	C 1003	(B,158,135)	CKSRYB103K50	
	C 821	(B,89,72)	CKSSYB104K10	C 1004	(A,165,145)	CEAT102M16(P30)	
	C 822	(A,89,95)	CKSSYB104K10	C 1005	(A,165,152)	CKSRYB104K50	
	C 823	(B,91,72)	CKSSYB104K10	C 1101	(A,35,163)	CKSRYB104K50	
	C 824	(B,93,69)	CKSSYB104K10	C 1102	(A,13,149)	CEAT471M16	

1

2

3

4

5
Circuit Symbol and No.

6
Part No.

C 1201	(A,88,122)	CEVLW470M16
C 1202	(B,87,122)	CKSSYB103K25
C 1203	(B,90,121)	CKSYB105K35
C 1221	(B,89,111)	CKSRYB105K10
C 1222	(B,97,111)	CKSRYB105K16
C 1501	(B,23,63)	CKSYB105K35
C 1502	(A,44,60)	CKSSYB102K50
C 1503	(B,38,66) 10 uF	CCG1236
C 1504	(A,42,59)	CKSRYB104K16
C 1505	(A,42,46)	CKSRYB104K16
C 1506	(A,35,47) 10 uF	CCG1236
C 1507	(B,37,52)	CKSSYB391K50
C 1508	(B,35,50)	CCSSCH121J50
C 1509	(B,37,50)	CKSRYB332K50
C 1510	(B,36,71) 10 uF	CCG1236
C 1511	(B,34,56) 4.7 uF	CCG1201
C 1512	(B,34,51)	CKSSYB223K16
C 1513	(B,33,63)	CKSRYB104K25
C 1514	(A,44,46)	CKSSYB102K50
C 1515	(B,14,45) 10 uF	CCG1236
C 1516	(B,20,59)	CKSRYB104K25
C 1517	(B,24,48)	CKSSYB223K16
C 1518	(B,19,45)	CKSRYB332K50
C 1519	(B,22,46)	CCSSCH470J50
C 1520	(B,14,41) 10 uF	CCG1236
C 1521	(B,20,54) 4.7 uF	CCG1201
C 1522	(B,20,51)	CKSQYB334K50
C 1523	(B,21,66)	CKSYB105K35
C 1524	(B,18,45)	CKSRYB821K50
C 1525	(A,37,47) 10 uF	CCG1236
C 1526	(A,10,63) 3 300 uF/16 V	CCH1732
C 1527	(A,40,47) 10 uF	CCG1236
C 1528	(A,35,58) 22 uF	CCG1254
C 1529	(A,37,58) 22 uF	CCG1254
C 1530	(A,40,58) 10 uF	CCG1236
C 1621	(A,96,125)	CKSSYB104K16
C 1624	(B,102,121)	CKSSYB103K16
C 1625	(A,95,120) 4.7 uF	CCG1222
C 1626	(B,97,123)	CKSRYB104K16
C 1627	(B,101,120)	CKSSYB104K16
C 1628	(A,98,115) 4.7 uF	CCG1222
C 1629	(A,102,112)	CCSSCH271J50
C 1630	(A,99,113)	CKSSYB104K16
C 1661	(A,13,141)	CKSSYB104K10
C 1731	(A,34,119)	CKSSYB104K10
C 1732	(A,39,117)	CEVLW101M10
C 1733	(A,57,116)	CKSSYB104K10
C 1741	(A,93,172)	CEVLW100M16
C 1742	(B,95,163)	CKSSYB103K16
C 1743	(A,93,165)	CKSSYB103K16
C 1761	(B,45,64)	CKSRYB105K10
C 1763	(B,50,72)	CKSQYB106K6R3
C 1771	(B,45,54)	CKSQYB225K10
C 1772	(B,48,43)	CKSRYB334K10
C 1781	(B,118,59)(H,I)	CKSSYB104K10
C 1782	(B,115,50)(H,I)	CKSSYB104K10
C 2001	(A,20,137)	CKSSYB104K10

7
Circuit Symbol and No.

8
Part No.

B

Unit Number : CWN3129(H,B)
Unit Number : CWN3130(I,C,D,E)
Unit Name : Tuner BOX Unit

MISCELLANEOUS

IC 1	(B,64,36) IC	NJM2391DL1-33
IC 3	(A,93,9) IC	NJM2388F84
IC 5	(B,48,32) IC	TC7WH08FU
Q 1	(B,79,23) Transistor	2SC4081
Q 2	(B,76,7) Transistor	2SC4081
D 1	(B,70,37) Diode	S1G-6904G2P
D 2	(B,73,37) Diode	S1G-6904G2P
D 3	(B,76,37) Diode	S1G-6904G2P
L 1	(B,25,7) Inductor	LCTAW220J2520
L 2	(B,57,34) Inductor	CTF1379
L 3	(B,41,8) Inductor	LCTAW1R0J3225
L 4	(B,65,25) Inductor	LCTAW1R0J3225
P 1	(B,21,7) Surge Protector	IMSA-6801-01Y901
JA1	(A,10,39) Antenna Jack	CKX1056
JA2	(A,98,38) Connector	CKS4663
U 1	(A,23,15) FM/AM Tuner Unit(H,B)	CWE2095
	(A,23,15) FM/AM Tuner Unit(I,C,D,E)	CWE2096

RESISTORS

R 2	(B,31,22)	RS1/16S681J
R 3	(B,46,22)(H,B)	RS1/16S681J
R 4	(B,55,26)	RS1/16S681J
R 9	(B,43,22)	RS1/16S681J
R 10	(B,41,22)	RS1/16S681J
R 11	(B,38,22)	RS1/16S681J
R 12	(B,35,22)	RS1/16S681J
R 13	(B,78,8)	RS1/16S472J
R 14	(B,81,23)	RS1/16S472J
R 17	(B,100,17)	RS1/16S333J
R 24	(B,70,21)(H,B)	RS1/16S681J
R 25	(B,72,21)(H,B)	RS1/16S681J
R 26	(B,73,21)(H,B)	RS1/16S681J
R 27	(B,76,21)(H,B)	RS1/16S681J
R 28	(B,100,15)	RS1/16S102J
R 29	(B,102,15)	RS1/16S474J
R 35	(B,50,38)	RS1/16S102J
R 36	(B,46,38)	RS1/16S271J
R 37	(B,47,29)(I,C,D,E)	RS1/16S473J
R 39	(B,78,21)	RS1/16S274J
R 40	(B,74,9)	RS1/16S274J
R 41	(B,78,25)	RS1/16S224J
R 42	(B,72,7)	RS1/16S224J

CAPACITORS

C 1	(B,30,8)	CKSRYB103K50
C 3	(B,58,27)	CKSRYB103K50
C 4	(B,59,25)	CKSQYB475K10
C 6	(B,66,21)	CKSRYB103K50
C 9	(B,49,22)	CKSRYB103K50
C 10	(B,64,27)	CKSRYB103K50
C 11	(B,69,31)	CKSQYB475K10
C 12	(B,47,22)	CKSRYB102K50

1

Circuit Symbol and No.

C 13	(B,32,8)	CKSRYB104K16
C 14	(B,29,8)	CKSRYB102K50
C 15	(B,79,5)	CKSRYB103K50
C 17	(B,98,16)	CKSYB105K35
C 18	(B,38,7) 10 uF	CCG1236
C 21	(B,79,28)	CKSRYB474K10
C 22	(B,80,8)	CKSRYB474K10
C 23	(B,61,8) 10 uF	CCG1236
C 24	(B,52,32)	CKSRYB104K16
C 25	(B,81,21)	CKSRYB104K16
C 26	(B,76,10)	CKSRYB104K16
C 27	(B,82,6) 10 uF	CCG1236

2

Part No.

3

Circuit Symbol and No.

R 3009	(B,70,6)
R 3010	(B,133,7)
R 3011	(B,132,8)
R 3012	(B,133,6)
R 3013	(B,133,5)
R 3014	(B,132,10)
R 3015	(B,73,8)
R 3016	(B,74,6)
R 3017	(B,74,4)
R 3018	(B,72,7)
R 3019	(B,162,25)
R 3022	(B,67,6)
R 3023	(B,66,6)
R 3024	(B,65,6)

4

Part No.

RS1/16SS0R0J
RS1/16SS0R0J
RS1/16SS0R0J
RS1/16SS0R0J
RS1/16SS0R0J
RS1/16SS0R0J
RS1/16SS181J
RS1/16SS101J
RS1/16SS101J
RS1/16SS103J
RS1/16SS101J
RS1/16SS103J
RS1/16SS151J
RS1/16SS151J
RS1/16SS0R0J
RS1/16SS103J
RS1/16SS151J
RS1/16SS101J
RS1/16SS0R0J
RS1/16SS152J
RS1/16SS181J
RS1/16SS101J
RS1/16SS101J
RS1/16SS103J

R 3025	(B,64,6)
R 3027	(B,39,12)
R 3028	(B,36,9)
R 3029	(B,37,9)
R 3030	(B,39,9)

R 3031	(B,107,13)
R 3032	(B,25,10)
R 3033	(B,25,11)
R 3034	(B,25,12)
R 3035	(B,39,13)

R 3037	(B,107,12)
R 3039	(B,31,13)
R 3040	(B,25,13)
R 3041	(B,25,14)
R 3042	(B,25,15)

R 3043	(B,103,4)
R 3044	(B,103,5)
R 3501	(B,30,12)
R 3502	(B,29,12)

CAPACITORS

C 3002	(B,159,24)
C 3003	(A,32,13)
C 3004	(A,32,12)
C 3005	(A,32,15)
C 3006	(B,64,11)
C 3007	(B,64,9)
C 3008	(B,64,8)
C 3009	(B,137,8)
C 3011	(B,133,15)
C 3012	(B,123,13) 4.7 uF

C 3013	(B,146,16)
C 3014	(B,97,11)
C 3500	(A,32,5)
C 3501	(A,38,5)
C 3502	(A,31,5)

Monitor Unit(Service)

Consists of
Monitor PCB
BT PCB
BT ANT PCB



Unit Number : CXX2841(H,I)

B Keyboard Unit
Consists of
Panel PCB
Keyboard PCB



Unit Number : CWN4996

Unit Name : Keyboard Unit

MISCELLANEOUS

C IC 3001	(A,146,17) Remote IC	GP1UXC14RK
Q 3001	(B,70,9) Transistor	UMX1N
Q 3002	(B,67,8) Transistor	LSC4081UB
Q 3003	(B,35,11) Transistor	UMX1N
Q 3004	(B,29,14) Transistor	LSC4081UB
D 3001	(B,137,10) Diode	DZ2S068C
D 3004	(B,137,4) Diode	DZ2S068C
D 3005	(B,137,5) Diode	DZ2S068C
D 3007	(B,130,14) Diode	HZM6.8Z4MWA
D 3009	(A,62,14) Chip LED	NSSM038A-6430
D 3010	(A,25,12) Chip LED	NSSM038A-6430
D 3500	(A,44,10) Chip LED	NSSM038A-6430
S 3001	(A,53,14) Switch	CSN1057
S 3002	(A,43,14) Push Switch	CSG1155
S 3003	(A,14,12) Encoder	CSD1168
S 3004	(A,124,15) Push Switch	CSG1155
S 3005	(A,124,6) Push Switch	CSG1155
S 3006	(A,77,7) Push Switch	CSG1155
S 3007	(A,110,7) Push Switch	CSG1155
S 3008	(A,94,7) Push Switch	CSG1155
S 3500	(A,31,15) Push Switch	CSG1155
S 3501	(A,14,15) Push Switch	CSG1155
CN3001	(B,82,12) Connector	CKS5858
CN3002	(A,158,13) Connector	YKS5032
CN3500	(B,37,6) Connector	CKS5695
JA3001	(A,145,9) Jack	CKN1084

RESISTORS

R 3002	(B,130,10)	RS1/16SS223J
R 3004	(B,125,6)	RS1/16SS750J
R 3005	(B,69,6)	RS1/16SS103J
R 3006	(B,130,6)	RS1/16SS223J
R 3007	(B,70,8)	RS1/16SS151J
R 3008	(B,70,7)	RS1/16SS101J

5
Circuit Symbol and No. Part No.
Unit Name : Monitor Unit(Service)

MISCELLANEOUS

IC 5201	(A,125,68)	Regulator IC	PQ1LA125MSPQ
IC 5202	(A,128,61)	Regulator IC	S-1172B34-E6
IC 5301	(A,95,34)	IC	NJM2505AF
IC 5311	(A,97,43)	IC	TC75S57FU
IC 5312	(A,89,43)	L-MOS And Gate	TC7SET08FUS1
IC 5401	(A,22,67)	Flash ROM Unit	CWW2191
IC 5501	(A,78,43)	EEPROM IC	S-93C66BD01-I8
IC 5502	(A,57,59)	IC	MN103SH13UB
IC 5503	(A,64,77)	Logic IC	TC7SHU04FUS1
IC 5701	(A,15,25)	IC	TK61222CQ6
IC 5702	(A,9,28)	L-MOS And Gate	TC7SET08FUS1
IC 8001	(B,21,23)	IC	NJM4558V
Q 5201	(A,128,80)	Transistor	UMX2N
Q 5701	(A,6,35)	Transistor	LSC4081UB
Q 5702	(A,11,31)	Transistor	LTC114EUB
Q 5703	(A,10,49)	FET	RSQ025P03
Q 5705	(A,29,26)	Transistor	LSC4081UB
Q 5801	(A,111,55)	Transistor	UMX1N
Q 5802	(A,119,50)	Transistor	LSC4081UB
Q 5805	(A,95,38)	Transistor	LSC4081UB
Q 5806	(A,100,46)	Transistor	LSC4081UB
Q 5807	(A,99,49)	Transistor	LSC4081UB
Q 5808	(A,86,34)	Transistor	LSA1576UB
D 5201	(A,129,68)	Diode	1SR154-400
D 5701	(A,28,31)	Diode	RB160M-60
D 5702	(A,9,23)	Diode	1SS352
D 8001	(B,30,23)	Diode	DZ2S068C
D 8002	(B,30,25)	Diode	DZ2S068C
D 8003	(B,30,26)	Diode	DZ2S068C
L 5002	(A,105,20)	Inductor	CTF1469
L 5301	(A,96,49)	Inductor	CTF1545
L 5302	(A,92,38)	Inductor	CTF1545
L 5303	(A,97,45)	Inductor	CTF1545
L 5304	(A,90,32)	Inductor	CTF1545
L 5305	(A,93,32)	Inductor	CTF1545
L 5401	(A,31,49)	Inductor	CTF1545
L 5501	(A,52,39)	Inductor	CTF1473
L 5502	(A,74,41)	Inductor	CTF1545
L 5503	(A,75,51)	Inductor	CTF1545
L 5504	(A,75,77)	Inductor	CTF1473
L 5505	(A,74,54)	Inductor	CTF1545
L 5506	(A,84,78)	Inductor	CTF1473
L 5507	(A,37,76)	Inductor	CTF1473
L 5508	(A,65,71)	Inductor	CTF1545
L 5509	(A,63,72)	Inductor	CTF1545
L 5510	(A,61,75)	Inductor	CTF1545
L 5511	(A,50,79)	Inductor	CTF1545
L 5512	(A,77,54)	Inductor	CTF1748
L 5513	(A,48,75)	Inductor	CTF1545
L 5514	(A,47,71)	Inductor	CTF1545
L 5515	(A,44,69)	Inductor	CTF1545
L 5516	(A,39,68)	Inductor	CTF1545
L 5517	(A,38,62)	Inductor	CTF1545
L 5518	(A,40,60)	Inductor	CTF1545
L 5519	(A,41,51)	Inductor	CTF1545
L 5520	(A,51,45)	Inductor	CTF1545

7
Circuit Symbol and No. Part No.
L 5601 (A,88,79) Inductor CTF1473
L 5602 (A,94,59) Inductor CTF1748
L 5603 (A,97,58) Inductor CTF1748
L 5701 (A,5,41) Inductor CTF1545
L 5702 (A,18,40) Choke Coil 10 uH CTH1435
L 5704 (A,12,29) Inductor CTF1748
X 5501 (A,78,59) Oscillator 33 MHz CSS1792
X 5502 (A,71,75) Oscillator 9.597 MHz CSS1787
CN5002 (A,117,34) Connector CKS6008
CN5101 (A,121,14) Connector CKS5561
CN5601 (A,102,74) Connector CKS6062
CN5701 (A,17,16) Connector CKS5561
CN5802 (A,109,11) Connector CKS5695
CN8001 (A,4,27) Connector CKS3878
CN8002 (A,36,31) Connector CKS6192
CN8601 (B,27,18) Connector CKS5749

RESISTORS

R 5200	(A,120,80)	RS1/16SS0R0J
R 5204	(A,126,81)	RS1/16SS473J
R 5205	(A,121,64)	RS1/8SQ0R0J
R 5206	(A,118,58)	RS1/8SQ0R0J
R 5207	(A,118,56)	RS1/16SS103J
R 5208	(A,128,83)	RS1/16SS104J
R 5210	(A,129,76)	RS1/16SS562J
R 5211	(A,128,78)	RS1/16SS101J
R 5214	(A,124,55)	RS1/16SS102J
R 5215	(A,120,84)	RS1/10SR470J
R 5216	(A,120,83)	RS1/10SR470J
R 5300	(A,89,34)	RS1/16SS472J
R 5301	(A,102,37)	RS1/16SS101J
R 5302	(A,102,34)	RS1/16SS101J
R 5303	(A,89,35)	RS1/16SS751J
R 5304	(A,99,39)	RS1/16SS472J
R 5305	(A,103,45)	RS1/16SS472J
R 5306	(A,102,48)	RS1/16SS472J
R 5311	(A,103,42)	RS1/16SS271J
R 5312	(A,101,42)	RS1/16SS684J
R 5313	(A,95,41)	RS1/16SS1502D
R 5314	(A,96,41)	RS1/16SS1002D
R 5315	(A,89,36)	RS1/16SS472J
R 5316	(A,88,34)	RS1/16SS471J
R 5317	(A,92,41)	RS1/16SS102J
R 5318	(A,92,43)	RS1/16SS102J
R 5319	(A,103,49)	RS1/16SS272J
R 5320	(A,101,40)	RS1/16SS272J
R 5321	(A,104,45)	RS1/16SS272J
R 5322	(A,87,41)	RS1/16SS682J
R 5323	(A,83,53)	RS1/16SS103J
R 5324	(A,82,53)	RS1/16SS103J
R 5325	(A,85,41)	RS1/16SS103J
R 5401	(A,31,48)	RS1/16SS103J
R 5402	(A,20,81)	RS1/16SS220J
R 5403	(A,19,81)	RS1/16SS102J
R 5501	(A,71,51)	RS1/16SS103J
R 5503	(A,54,76)	RS1/16SS0R0J
R 5509	(A,77,45)	RS1/16SS563J
R 5511	(A,75,45)	RAB4CQ102J
R 5512	(A,79,54)	RS1/16SS271J

1

2

3

4

Circuit Symbol and No.**Part No.****Circuit Symbol and No.****Part No.**

R 5513	(A,79,49)	RS1/16SS471J	R 5728	(A,28,21)	RS1/16SS332J
R 5514	(A,81,50)	RS1/16SS471J	R 5729	(A,6,25)	RS1/16SS273J
R 5515	(A,79,50)	RS1/16SS181J	R 5730	(A,5,38)	RS1/16SS473J
R 5516	(A,79,48)	RS1/16SS271J	R 5731	(A,6,23)	RS1/16SS0R0J
R 5517	(A,81,48)	RS1/16SS271J	R 5801	(A,111,57)	RS1/16SS271J
R 5518	(A,59,42)	RS1/16SS1002D	R 5802	(A,111,58)	RS1/16SS221J
R 5520	(A,81,60)	RS1/16SS103J	R 5803	(A,111,59)	RS1/16SS0R0J
R 5521	(A,48,43)	RS1/16SS473J	R 5804	(A,109,54)	RS1/16SS103J
R 5522	(A,81,63)	RS1/16SS271J	R 5811	(A,113,53)	RS1/16SS391J
R 5523	(A,87,59)	RS1/16SS271J	R 5812	(A,115,53)	RS1/16SS391J
R 5524	(A,37,48)	RAB4CQ103J	R 5813	(A,116,54)	RS1/16SS0R0J
R 5530	(A,90,60)	RS1/16SS101J	R 5814	(A,114,54)	RS1/16SS103J
R 5531	(A,80,65)	RS1/16SS101J	R 5821	(A,117,49)	RS1/16SS331J
R 5532	(A,41,48)	RAB4CQ103J	R 5822	(A,115,49)	RS1/16SS181J
R 5533	(A,48,49)	RS1/16SS103J	R 5823	(A,115,50)	RS1/16SS121J
R 5534	(A,82,55)	RS1/16SS101J	R 5824	(A,116,51)	RS1/16SS103J
R 5536	(A,87,64)	RS1/16SS101J	R 5833	(A,98,39)	RS1/16SS391J
R 5537	(A,86,65)	RS1/16SS101J	R 5834	(A,103,47)	RS1/16SS391J
R 5539	(A,78,69)	RS1/16SS101J	R 5835	(A,102,50)	RS1/16SS391J
R 5540	(A,75,70)	RS1/16SS101J	R 5870	(A,26,50)	RAB4CQ180J
R 5543	(A,55,76)	RS1/16SS103J	R 5871	(A,28,52)	RS1/16SS180J
R 5544	(A,56,79)	RS1/16SS102J	R 5873	(A,26,53)	RS1/16SS180J
R 5545	(A,46,76)	RS1/16SS0R0J	R 5875	(A,25,53)	RS1/16SS180J
R 5546	(A,67,77)	RS1/16SS105J	R 5877	(A,24,53)	RS1/16SS180J
R 5547	(A,61,78)	RS1/16SS220J	R 5878	(A,23,50)	RS1/16SS180J
R 5548	(A,68,78)	RS1/16SS332J	R 5879	(A,22,54)	RS1/16SS180J
R 5549	(A,65,74)	RS1/10SR0R0J	R 5880	(A,22,51)	RS1/16SS180J
R 5550	(A,77,71)	RAB4CQ101J	R 5881	(A,21,54)	RS1/16SS180J
R 5551	(A,90,66)	RAB4CQ101J	R 5882	(A,19,50)	RS1/16SS180J
R 5552	(A,87,62)	RAB4CQ101J	R 5883	(A,20,54)	RS1/16SS180J
R 5555	(A,91,53)	RS1/16SS103J	R 5884	(A,17,50)	RS1/16SS180J
R 5556	(A,90,55)	RS1/16SS103J	R 5885	(A,18,54)	RS1/16SS180J
R 5557	(A,56,80)	RS1/16SS0R0J	R 5886	(A,16,54)	RS1/16SS680J
R 5560	(A,83,47)	RS1/16SS103J	R 5889	(A,17,54)	RS1/16SS680J
R 5561	(A,85,51)	RS1/16SS103J	R 8001	(B,18,27)	RS1/16SS102J
R 5570	(A,73,61)	RS1/16SS471J	R 8004	(B,22,32)	RS1/16SS102J
R 5701	(A,23,34)	RS1/10SR1203D	R 8005	(B,27,20)	RS1/16SS0R0J
R 5702	(A,23,32)	RS1/10SR1002F	R 8006	(B,32,23)	RS1/16SS102J
R 5703	(A,8,22)	RS1/16SS101J	R 8007	(B,34,24)	RS1/16SS101J
R 5704	(A,17,31)	RS1/16SS101J	R 8011	(B,34,22)	RS1/16SS101J
R 5705	(A,19,31)	RS1/16SS0R0J	R 8012	(B,24,23)	RS1/16SS223J
R 5706	(A,18,31)	RS1/16SS0R0J	R 8013	(B,24,31)	RS1/16SS223J
R 5707	(A,32,39)	RS1/16SS3301F	R 8014	(B,20,18)	RS1/16SS103J
R 5708	(A,9,32)	RS1/16SS102J	R 8015	(B,23,19)	RS1/16SS103J
R 5709	(A,23,26)	RS1/10SR1203D	R 8016	(B,19,28)	RS1/16SS223J
R 5710	(A,21,25)	RS1/10SR8201F	R 8017	(B,24,29)	RS1/16SS223J
R 5711	(A,20,23)	RS1/10SR6202D			
R 5713	(A,29,22)	RS1/16SS472J			
R 5714	(A,16,31)	RS1/16SS223J			
R 5716	(A,10,52)	RS1/16SS562J			
R 5717	(A,9,35)	RS1/16SS562J			
R 5718	(A,23,22)	RS1/10SR4700D			
R 5719	(A,12,27)	RS1/16SS152J			
R 5720	(A,11,22)	RS1/16SS221J			
R 5722	(A,8,32)	RS1/16SS103J			
R 5723	(A,10,20)	RS1/10SR1203D			
R 5724	(A,7,20)	RS1/10SR0R0J			
R 5725	(A,11,27)	RS1/16SS152J			
R 5726	(A,29,23)	RS1/16SS103J			
R 5727	(A,27,23)	RS1/16SS472J			

CAPACITORS

C 5001	(A,26,14)	CKSSYB102K50
C 5002	(A,84,45)	CKSRYB105K10
C 5003	(A,105,21)	CKSRYB105K10
C 5004	(A,50,42)	CKSSYB104K10
C 5005	(A,85,54)	CKSRYB105K10
C 5006	(A,86,54)	CKSSYB104K10
C 5007	(A,29,40)	CKSSYB104K10
C 5008	(A,114,16) 10 uF	DCH1201
C 5201	(A,124,64)	CKSSYB103K16
C 5202	(A,126,72)	CKSRYB105K10
C 5203	(A,133,62)	CKSQYB106K6R3

1

2

3

4

5		6		7		8	
<u>Circuit Symbol and No.</u>		<u>Part No.</u>		<u>Circuit Symbol and No.</u>		<u>Part No.</u>	
C 5208	(A,121,61)	CKSRYB105K10		C 5548	(A,40,62)	CKSSYB104K10	
C 5209	(A,122,58)	CKSSYB104K10		C 5549	(A,41,64)	CKSSYB104K10	
C 5210	(A,123,57)	CKSQYB475K6R3		C 5550	(A,42,67)	CKSRYB105K10	
C 5211	(A,121,69)	CKSQYB475K6R3		C 5551	(A,48,71)	CKSSYB104K10	
C 5212	(A,121,75)	CKSRYB105K10		C 5552	(A,50,75)	CKSSYB104K10	
C 5301	(A,99,34) 10 uF	DCH1201		C 5553	(A,52,73)	CKSSYB104K10	
C 5302	(A,99,36) 10 uF	DCH1201		C 5554	(A,70,46)	CKSSYB104K10	
C 5303	(A,93,34)	CKSSYB104K10		C 5555	(A,36,56)	CSZSR470M10	
C 5304	(A,89,32)	CKSSYB104K10		C 5556	(A,69,72)	CCSSCH180J50	
C 5305	(A,91,35) 10 uF	DCH1201		C 5557	(A,40,73)	CSZSR470M10	
C 5307	(A,89,41)	CKSSYB104K10		C 5558	(A,71,77)	CCSSCH180J50	
C 5308	(A,97,41)	CKSSYB104K10		C 5560	(A,64,76)	CKSSYB104K10	
C 5314	(A,94,41)	CKSSYB104K10		C 5601	(A,87,76) 10 uF	DCH1201	
C 5401	(A,23,45)	CKSQYB475K6R3		C 5602	(A,88,74)	CKSSYB104K10	
C 5402	(A,31,47)	CKSSYB104K10		C 5701	(A,14,31)	CKSRYB105K16	
C 5403	(A,21,47)	CKSSYB104K10		C 5702	(A,10,41) 10 uF	CCG1236	
C 5501	(A,49,75)	CKSRYB105K10		C 5703	(A,6,50) 10 uF	CCG1236	
C 5502	(A,39,67)	CKSRYB105K10		C 5704	(A,10,53)	CKSRYB104K16	
C 5503	(A,81,43)	CKSSYB104K10		C 5705	(A,24,30) 10 uF	CCG1236	
C 5504	(A,84,34) 10 uF	DCH1201		C 5706	(A,13,34)	CKSSYB104K16	
C 5505	(A,71,44)	CSZS100M10		C 5707	(A,13,31)	CKSRYB105K10	
C 5506	(A,58,39)	CSZS100M10		C 5708	(A,20,22)	CKSRYB474K10	
C 5507	(A,59,41)	CKSSYB104K10		C 5710	(A,10,19)	CKSRYB105K10	
C 5508	(A,61,40)	CKSSYB104K10		C 5711	(A,20,32)	CKSSYB104K10	
C 5509	(A,63,39)	CKSSYB104K10		C 5713	(A,8,46) 10 uF	CCG1236	
C 5510	(A,64,40)	CKSSYB104K10		C 5714	(A,8,43) 10 uF	CCG1236	
C 5511	(A,67,40)	CKSSYB104K10		C 5715	(A,24,28) 10 uF	CCG1236	
C 5512	(A,68,40)	CKSSYB104K10		C 5716	(A,11,25)	CKSSYB104K10	
C 5513	(A,62,45)	CKSSYB104K10		C 5718	(A,8,30)	CKSSYB104K10	
C 5516	(A,64,42)	CKSSYB104K10		C 5805	(A,93,37)	CKSSYB104K10	
C 5517	(A,67,44)	CKSSYB104K10		C 5806	(A,98,45)	CKSSYB104K10	
C 5518	(A,60,42)	CKSSYB104K10		C 5807	(A,97,48)	CKSSYB104K10	
C 5519	(A,68,46)	CKSSYB471K50		C 5808	(A,100,37)	CKSSYB102K50	
C 5521	(A,91,45) 10 uF	DCH1201		C 8001	(B,28,31)	CKSRYB105K10	
C 5522	(A,72,48)	CKSSYB104K10		C 8002	(B,28,29)	CKSRYB105K10	
C 5523	(A,72,55)	CKSSYB104K10		C 8006	(A,6,6)	CKSQYB106K6R3	
C 5524	(A,87,39) 10 uF	DCH1201		C 8007	(B,38,25)	CKSRYB105K10	
C 5525	(A,57,42)	CCSSCH330J50		C 8008	(B,28,27)	CKSSYB104K10	
C 5526	(A,93,48) 10 uF	DCH1201		C 8009	(B,29,22)	CKSSYB104K10	
C 5527	(A,63,44)	CKSSYB104K10		C 8010	(B,18,24)	CKSSYB104K10	
C 5528	(A,73,51)	CKSSYB104K10		C 8011	(B,23,18)	CKSSYB105K6R3	
C 5529	(A,65,45)	CKSSYB104K10		C 8012	(B,19,29)	CCSSCH471J50	
C 5530	(A,76,57)	CCSSCH9R0D50		C 8013	(B,25,23)	CCSSCH471J50	
C 5531	(A,76,60)	CCSSCH120J50		C 8601	(B,15,17)	CCFSSCH1R1B16	
C 5532	(A,52,45)	CKSSYB104K10		C 8602	(B,15,13)	CCFSSCH1R1B16	
C 5533	(A,70,63)	CKSSYB104K10					
C 5534	(A,38,53)	CKSSYB104K10					
C 5535	(A,74,65)	CKSSYB104K10					
C 5536	(A,49,49)	CKSSYB104K10					
C 5537	(A,69,66)	CKSSYB104K10					
C 5538	(A,63,71)	CKSSYB104K10					
C 5539	(A,43,52)	CKSSYB104K10					
C 5540	(A,62,72)	CKSSYB104K10					
C 5541	(A,62,74)	CKSSYB104K10					
C 5542	(A,35,66)	CSZSR470M10					
C 5543	(A,55,81)	CKSSYB102K50					
C 5544	(A,44,65)	CKSSYB104K10					
C 5545	(A,38,64)	CKSSYB103K16					
C 5546	(A,51,77)	CKSRYB105K10					
C 5547	(A,40,61)	CKSSYB104K10					

H

Unit Number : CWN4992(B,C,D,E)

Unit Name : Monitor Unit

MISCELLANEOUS

IC 5201	(A,125,68) Regulator IC	PQ1LA125MSPQ
IC 5202	(A,128,61) Regulator IC	S-1172B34-E6
IC 5301	(A,95,34) IC	NJM2505AF
IC 5311	(A,97,43) IC	TC75S57FU
IC 5312	(A,89,43) L-MOS And Gate	TC7SET08FUS1
IC 5401	(A,22,67) Flash ROM Unit	CWW2644
IC 5501	(A,78,43) EEPROM IC	S-93C66BD0I-I8
IC 5502	(A,57,59) IC	MN103SH13UB

	1		2		3		4	
	<u>Circuit Symbol and No.</u>		<u>Part No.</u>		<u>Circuit Symbol and No.</u>		<u>Part No.</u>	
	IC 5503	(A,64,77) Logic IC	TC7SHU04FUS1					
	IC 5701	(A,15,25) IC	TK61222CQ6	R 5200	(A,120,80)	RS1/16SS0R0J		
				R 5204	(A,126,81)	RS1/16SS473J		
A	IC 5702	(A,9,28) L-MOS And Gate	TC7SET08FUS1	R 5205	(A,121,64)	RS1/8SQ0R0J		
	Q 5201	(A,128,80) Transistor	UMX2N	R 5206	(A,118,58)	RS1/8SQ0R0J		
	Q 5701	(A,6,35) Transistor	LSC4081UB	R 5207	(A,118,56)	RS1/16SS103J		
	Q 5702	(A,11,31) Transistor	LTC114EUB					
	Q 5703	(A,10,49) FET	RSQ025P03	R 5208	(A,128,83)	RS1/16SS104J		
				R 5210	(A,129,76)	RS1/16SS562J		
	Q 5705	(A,29,26) Transistor	LSC4081UB	R 5211	(A,128,78)	RS1/16SS101J		
	Q 5801	(A,111,55) Transistor	UMX1N	R 5214	(A,124,55)	RS1/16SS102J		
	Q 5802	(A,119,50) Transistor	LSC4081UB	R 5215	(A,120,84)	RS1/10SR470J		
	Q 5805	(A,95,38) Transistor	LSC4081UB					
	Q 5806	(A,100,46) Transistor	LSC4081UB	R 5216	(A,120,83)	RS1/10SR470J		
				R 5300	(A,89,34)	RS1/16SS472J		
	Q 5807	(A,99,49) Transistor	LSC4081UB	R 5301	(A,102,37)	RS1/16SS101J		
B	Q 5808	(A,86,34) Transistor	LSA1576UB	R 5302	(A,102,34)	RS1/16SS101J		
	D 5201	(A,129,68) Diode	1SR154-400	R 5303	(A,89,35)	RS1/16SS751J		
	D 5701	(A,28,31) Diode	RB160M-60					
	D 5702	(A,9,23) Diode	1SS352	R 5304	(A,99,39)	RS1/16SS472J		
				R 5305	(A,103,45)	RS1/16SS472J		
	L 5002	(A,105,20) Inductor	CTF1469	R 5306	(A,102,48)	RS1/16SS472J		
	L 5301	(A,96,49) Inductor	CTF1545	R 5311	(A,103,42)	RS1/16SS271J		
	L 5302	(A,92,38) Inductor	CTF1545	R 5312	(A,101,42)	RS1/16SS684J		
	L 5303	(A,97,45) Inductor	CTF1545					
	L 5304	(A,90,32) Inductor	CTF1545	R 5313	(A,95,41)	RS1/16SS1502D		
				R 5314	(A,96,41)	RS1/16SS1002D		
	L 5305	(A,93,32) Inductor	CTF1545	R 5315	(A,89,36)	RS1/16SS472J		
	L 5401	(A,31,49) Inductor	CTF1545	R 5316	(A,88,34)	RS1/16SS471J		
C	L 5501	(A,52,39) Inductor	CTF1473	R 5317	(A,92,41)	RS1/16SS102J		
	L 5502	(A,74,41) Inductor	CTF1545					
	L 5503	(A,75,51) Inductor	CTF1545	R 5318	(A,92,43)	RS1/16SS102J		
				R 5319	(A,103,49)	RS1/16SS272J		
	L 5504	(A,75,77) Inductor	CTF1473	R 5320	(A,101,40)	RS1/16SS272J		
	L 5505	(A,74,54) Inductor	CTF1545	R 5321	(A,104,45)	RS1/16SS272J		
	L 5506	(A,84,78) Inductor	CTF1473	R 5322	(A,87,41)	RS1/16SS682J		
	L 5507	(A,37,76) Inductor	CTF1473					
	L 5508	(A,65,71) Inductor	CTF1545	R 5323	(A,83,53)	RS1/16SS103J		
				R 5324	(A,82,53)	RS1/16SS103J		
	L 5509	(A,63,72) Inductor	CTF1545	R 5325	(A,85,41)	RS1/16SS103J		
	L 5510	(A,61,75) Inductor	CTF1545	R 5401	(A,31,48)	RS1/16SS103J		
	L 5511	(A,50,79) Inductor	CTF1545	R 5402	(A,20,81)	RS1/16SS220J		
D	L 5512	(A,77,54) Inductor	CTF1748					
	L 5513	(A,48,75) Inductor	CTF1545	R 5403	(A,19,81)	RS1/16SS102J		
				R 5501	(A,71,51)	RS1/16SS103J		
	L 5514	(A,47,71) Inductor	CTF1545	R 5503	(A,54,76)	RS1/16SS0R0J		
	L 5515	(A,44,69) Inductor	CTF1545	R 5509	(A,77,45)	RS1/16SS563J		
	L 5516	(A,39,68) Inductor	CTF1545	R 5511	(A,75,45)	RAB4CQ102J		
	L 5517	(A,38,62) Inductor	CTF1545					
	L 5518	(A,40,60) Inductor	CTF1545	R 5512	(A,79,54)	RS1/16SS271J		
				R 5513	(A,79,49)	RS1/16SS471J		
	L 5519	(A,41,51) Inductor	CTF1545	R 5514	(A,81,50)	RS1/16SS471J		
	L 5520	(A,51,45) Inductor	CTF1545	R 5515	(A,79,50)	RS1/16SS181J		
	L 5601	(A,88,79) Inductor	CTF1473	R 5516	(A,79,48)	RS1/16SS271J		
E	L 5602	(A,94,59) Inductor	CTF1748					
	L 5603	(A,97,58) Inductor	CTF1748	R 5517	(A,81,48)	RS1/16SS271J		
				R 5518	(A,59,42)	RS1/16SS1002D		
	L 5701	(A,5,41) Inductor	CTF1545	R 5520	(A,81,60)	RS1/16SS103J		
	L 5702	(A,18,40) Choke Coil 10 uH	CTH1435	R 5521	(A,48,43)	RS1/16SS473J		
	L 5704	(A,12,29) Inductor	CTF1748	R 5522	(A,81,63)	RS1/16SS271J		
	X 5501	(A,78,59) Oscillator 33 MHz	CSS1792					
	X 5502	(A,71,75) Oscillator 9.597 MHz	CSS1787	R 5523	(A,87,59)	RS1/16SS271J		
				R 5524	(A,37,48)	RAB4CQ103J		
	CN5002	(A,117,34) Connector	CKS6008	R 5530	(A,90,60)	RS1/16SS101J		
	CN5101	(A,121,14) Connector	CKS5561	R 5531	(A,80,65)	RS1/16SS101J		
	CN5601	(A,102,74) Connector	CKS6062	R 5532	(A,41,48)	RAB4CQ103J		
	CN5701	(A,17,16) Connector	CKS5561					
F	CN5802	(A,109,11) Connector	CKS5695	R 5533	(A,48,49)	RS1/16SS103J		
				R 5534	(A,82,55)	RS1/16SS101J		
				R 5536	(A,87,64)	RS1/16SS101J		
				R 5537	(A,86,65)	RS1/16SS101J		
				R 5539	(A,78,69)	RS1/16SS101J		

RESISTORS

5
Circuit Symbol and No.

6
Part No.

7
Circuit Symbol and No.

8
Part No.

R 5540 (A,75,70)
R 5543 (A,55,76)
R 5544 (A,56,79)
R 5545 (A,46,76)
R 5546 (A,67,77)

R 5547 (A,61,78)
R 5548 (A,68,78)
R 5549 (A,65,74)
R 5550 (A,77,71)
R 5551 (A,90,66)

R 5552 (A,87,62)
R 5555 (A,91,53)
R 5556 (A,90,55)
R 5557 (A,56,80)
R 5560 (A,83,47)

R 5561 (A,85,51)
R 5570 (A,73,61)
R 5701 (A,23,34)
R 5702 (A,23,32)
R 5703 (A,8,22)

R 5704 (A,17,31)
R 5705 (A,19,31)
R 5706 (A,18,31)
R 5707 (A,32,39)
R 5708 (A,9,32)

R 5709 (A,23,26)
R 5710 (A,21,25)
R 5711 (A,20,23)
R 5713 (A,29,22)
R 5714 (A,16,31)

R 5716 (A,10,52)
R 5717 (A,9,35)
R 5718 (A,23,22)
R 5719 (A,12,27)
R 5720 (A,11,22)

R 5722 (A,8,32)
R 5723 (A,10,20)
R 5724 (A,7,20)
R 5725 (A,11,27)
R 5726 (A,29,23)

R 5727 (A,27,23)
R 5728 (A,28,21)
R 5729 (A,6,25)
R 5730 (A,5,38)
R 5731 (A,6,23)

R 5801 (A,111,57)
R 5802 (A,111,58)
R 5803 (A,111,59)
R 5804 (A,109,54)
R 5811 (A,113,53)

R 5812 (A,115,53)
R 5813 (A,116,54)
R 5814 (A,114,54)
R 5821 (A,117,49)
R 5822 (A,115,49)

R 5823 (A,115,50)
R 5824 (A,116,51)
R 5833 (A,98,39)
R 5834 (A,103,47)
R 5835 (A,102,50)

RS1/16SS101J
RS1/16SS103J
RS1/16SS102J
RS1/16SS0R0J
RS1/16SS105J

RS1/16SS220J
RS1/16SS332J
RS1/10SR0R0J
RAB4CQ101J
RAB4CQ101J

RAB4CQ101J
RS1/16SS103J
RS1/16SS103J
RS1/16SS0R0J
RS1/16SS103J

RS1/16SS103J
RS1/16SS471J
RS1/10SR1203D
RS1/10SR1002F
RS1/16SS101J

RS1/16SS101J
RS1/16SS0R0J
RS1/16SS0R0J
RS1/16SS3301F
RS1/16SS102J

RS1/10SR1203D
RS1/10SR8201F
RS1/10SR6202D
RS1/16SS472J
RS1/16SS223J

RS1/16SS562J
RS1/16SS562J
RS1/10SR4700D
RS1/16SS152J
RS1/16SS221J

RS1/16SS103J
RS1/10SR1203D
RS1/10SR0R0J
RS1/16SS152J
RS1/16SS103J

RS1/16SS472J
RS1/16SS332J
RS1/16SS273J
RS1/16SS473J
RS1/16SS0R0J

RS1/16SS271J
RS1/16SS221J
RS1/16SS0R0J
RS1/16SS103J
RS1/16SS391J

RS1/16SS391J
RS1/16SS0R0J
RS1/16SS103J
RS1/16SS331J
RS1/16SS181J

RS1/16SS121J
RS1/16SS103J
RS1/16SS391J
RS1/16SS391J
RS1/16SS391J

R 5870 (A,26,50)
R 5871 (A,28,52)
R 5873 (A,26,53)
R 5875 (A,25,53)
R 5877 (A,24,53)

R 5878 (A,23,50)
R 5879 (A,22,54)
R 5880 (A,22,51)
R 5881 (A,21,54)
R 5882 (A,19,50)

R 5883 (A,20,54)
R 5884 (A,17,50)
R 5885 (A,18,54)
R 5886 (A,16,54)
R 5889 (A,17,54)

CAPACITORS

C 5001 (A,26,14)
C 5002 (A,84,45)
C 5003 (A,105,21)
C 5004 (A,50,42)
C 5005 (A,85,54)

C 5006 (A,86,54)
C 5007 (A,29,40)
C 5008 (A,114,16) 10 uF
C 5201 (A,124,64)
C 5202 (A,126,72)

C 5203 (A,133,62)
C 5208 (A,121,61)
C 5209 (A,122,58)
C 5210 (A,123,57)
C 5211 (A,121,69)

C 5212 (A,121,75)
C 5301 (A,99,34) 10 uF
C 5302 (A,99,36) 10 uF
C 5303 (A,93,34)
C 5304 (A,89,32)

C 5305 (A,91,35) 10 uF
C 5307 (A,89,41)
C 5308 (A,97,41)
C 5314 (A,94,41)
C 5401 (A,23,45)

C 5402 (A,31,47)
C 5403 (A,21,47)
C 5501 (A,49,75)
C 5502 (A,39,67)
C 5503 (A,81,43)

C 5504 (A,84,34) 10 uF
C 5505 (A,71,44)
C 5506 (A,58,39)
C 5507 (A,59,41)
C 5508 (A,61,40)

C 5509 (A,63,39)
C 5510 (A,64,40)
C 5511 (A,67,40)
C 5512 (A,68,40)
C 5513 (A,62,45)

C 5516 (A,64,42)
C 5517 (A,67,44)

RAB4CQ180J
RS1/16SS180J
RS1/16SS180J
RS1/16SS180J
RS1/16SS180J

RS1/16SS180J
RS1/16SS180J
RS1/16SS180J
RS1/16SS180J
RS1/16SS180J

RS1/16SS180J
RS1/16SS180J
RS1/16SS180J
RS1/16SS680J
RS1/16SS680J

CKSSYB102K50
CKSRYB105K10
CKSRYB105K10
CKSSYB104K10
CKSRYB105K10

CKSSYB104K10
CKSSYB104K10
DCH1201
CKSSYB103K16
CKSRYB105K10

CKSQYB106K6R3
CKSRYB105K10
CKSSYB104K10
CKSQYB475K6R3
CKSQYB475K6R3

CKSRYB105K10
DCH1201
DCH1201
CKSSYB104K10
CKSSYB104K10

DCH1201
CKSSYB104K10
CKSSYB104K10
CKSSYB104K10
CKSQYB475K6R3

CKSSYB104K10
CKSSYB104K10
CKSRYB105K10
CKSRYB105K10
CKSSYB104K10

DCH1201
CSZS100M10
CSZS100M10
CKSSYB104K10
CKSSYB104K10

CKSSYB104K10
CKSSYB104K10
CKSSYB104K10
CKSSYB104K10
CKSSYB104K10

CKSSYB104K10
CKSSYB104K10

1

Circuit Symbol and No.

C 5518 (A,60,42)
 C 5519 (A,68,46)
 C 5521 (A,91,45) 10 uF

A

C 5522 (A,72,48)
 C 5523 (A,72,55)
 C 5524 (A,87,39) 10 uF
 C 5525 (A,57,42)
 C 5526 (A,93,48) 10 uF

■

C 5527 (A,63,44)
 C 5528 (A,73,51)
 C 5529 (A,65,45)
 C 5530 (A,76,57)
 C 5531 (A,76,60)

B

C 5532 (A,52,45)
 C 5533 (A,70,63)
 C 5534 (A,38,53)
 C 5535 (A,74,65)
 C 5536 (A,49,49)

■

C 5537 (A,69,66)
 C 5538 (A,63,71)
 C 5539 (A,43,52)
 C 5540 (A,62,72)
 C 5541 (A,62,74)

C

C 5542 (A,35,66)
 C 5543 (A,55,81)
 C 5544 (A,44,65)
 C 5545 (A,38,64)
 C 5546 (A,51,77)

■

C 5547 (A,40,61)
 C 5548 (A,40,62)
 C 5549 (A,41,64)
 C 5550 (A,42,67)
 C 5551 (A,48,71)

D

C 5552 (A,50,75)
 C 5553 (A,52,73)
 C 5554 (A,70,46)
 C 5555 (A,36,56)
 C 5556 (A,69,72)

■

C 5557 (A,40,73)
 C 5558 (A,71,77)
 C 5560 (A,64,76)
 C 5601 (A,87,76) 10 uF
 C 5602 (A,88,74)

E

C 5701 (A,14,31)
 C 5702 (A,10,41) 10 uF
 C 5703 (A,6,50) 10 uF
 C 5704 (A,10,53)
 C 5705 (A,24,30) 10 uF

■

C 5706 (A,13,34)
 C 5707 (A,13,31)
 C 5708 (A,20,22)
 C 5710 (A,10,19)
 C 5711 (A,20,32)

F

C 5713 (A,8,46) 10 uF
 C 5714 (A,8,43) 10 uF
 C 5715 (A,24,28) 10 uF
 C 5716 (A,11,25)
 C 5718 (A,8,30)

C 5805 (A,93,37)
 C 5806 (A,98,45)

2

Part No.

CKSSYB104K10
 CKSSYB471K50
 DCH1201

CKSSYB104K10
 CKSSYB104K10
 DCH1201
 CCSSCH330J50
 DCH1201

CKSSYB104K10
 CKSSYB104K10
 CKSSYB104K10
 CCSSCH9R0D50
 CCSSCH120J50

CKSSYB104K10
 CKSSYB104K10
 CKSSYB104K10
 CKSSYB104K10
 CKSSYB104K10

CKSSYB104K10
 CKSSYB104K10
 CKSSYB104K10
 CKSSYB104K10
 CKSSYB104K10

CSZSR470M10
 CKSSYB102K50
 CKSSYB104K10
 CKSSYB103K16
 CKSRYB105K10

CKSSYB104K10
 CKSSYB104K10
 CKSSYB104K10
 CKSRYB105K10
 CKSSYB104K10

CKSSYB104K10
 CKSSYB104K10
 CKSSYB104K10
 CSZSR470M10
 CCSSCH180J50

CSZSR470M10
 CCSSCH180J50
 CKSSYB104K10
 DCH1201
 CKSSYB104K10

CKSRYB105K16
 CCG1236
 CCG1236
 CKSRYB104K16
 CCG1236

CKSSYB104K16
 CKSRYB105K10
 CKSRYB474K10
 CKSRYB105K10
 CKSSYB104K10

CCG1236
 CCG1236
 CCG1236
 CKSSYB104K10
 CKSSYB104K10

CKSSYB104K10
 CKSSYB104K10

3

Circuit Symbol and No.

C 5807 (A,97,48)
 C 5808 (A,100,37)

K**Unit Number : EWM5101****Unit Name : Main PCB Unit****MISCELLANEOUS**

IC 101	Regulator	BA00CC0WFP
IC 102	IC	BA6247FP
IC 103	Photo-interrupter	GP2L24B
IC 104	IC	TC7W14FU
IC 105	Photo-interrupter	GP2L24B

Q 101	Chip Transistor	DTC124EUA
D 101	Diode	UDZS5R6(B)

RESISTORS

R 101	RS1/16S102J
R 102	RS1/16S3302D
R 103	RS1/16S3900D
R 104	RS1/16S4701D
R 105	RS1/16S471J

R 106	RS1/16S102J
R 107	RS1/16S102J
R 108	RS1/16S102J
R 109	RS1/16S102J
R 110	RS1/16S102J

R 111	RS1/16S562J
R 112	RS1/16S102J
R 113	RS1/16S102J
R 114	RS1/16S102J
R 115	RS1/16S562J

R 116	RS1/16S102J
R 117	RS1/16S472J

CAPACITORS

C 101	CKSYB475K16
C 102	CKSYB475K16
C 103	CKSRYB104K16
C 104	CKSRYB104K16
C 105	CKSRYB223K16

C 106	CKSRYB104K16
C 107	CKSRYB223K16
C 108	CEVW101M16
C 109	CKSRYB104K16
C 110	CCSRCH102J50

C 111	CCSRCH102J50
-------	--------------

L**Unit Number :****Unit Name : Switch PCB Unit**

S 101	Switch(Angle SW)	CSN1068
-------	------------------	---------

M**Unit Number :****Unit Name : Volume PCB Unit**

5
Circuit Symbol and No.

6
Part No.

7
Circuit Symbol and No.

8
Part No.

VR101 Volume(Angle sense) CCW1025

R 1212 (A,20,12) RS1/16SS102J
R 1213 (B,23,21) RS1/10SR1R0J
R 1214 (B,22,20) RS1/10SR1R0J
R 1215 (B,24,21) RS1/10SR1R0J



Unit Number : YWX5010
Unit Name : DVD Core Unit(MS7)

R 1216 (B,27,21) RS1/10SR1R0J
R 1218 (A,18,12) RS1/16SS1R0J
R 1219 (A,18,13) RS1/16SS1R0J
R 1222 (A,19,9) RS1/16SS1R0J
R 1223 (A,19,8) RS1/16SS1R0J

MISCELLANEOUS

IC 1004 (B,85,55) IC NJM2885DL1-33
IC 1005 (B,88,64) IC R1232D121B
IC 1201 (A,27,16) IC BD8217EFV
IC 1401 (B,64,35) Flash ROM Unit CWW2238
IC 1402 (A,86,21) Flash ROM Unit CWW2239

R 1226 (A,22,28) RS1/16SS101J
R 1303 (B,90,22) RS1/16SS0R0J
R 1304 (B,89,23) RS1/16SS563J
R 1305 (B,89,24) RS1/16SS243J
R 1306 (B,90,24) RS1/16SS683J

IC 1480 (B,63,14) SDRAM(64M) K4S641632N-LC75
IC 1501 (A,62,21) IC MN2DS0018MAUB
IC 1801 (B,44,18) D/A Converter PCM1753DBQ
IC 1900 (B,38,11) IC S-1200B50-M5
IC 1901 (B,73,59) Regulator IC S-1133B50-U5

R 1307 (B,89,22) RS1/16SS243J
R 1314 (B,86,23) RAB4CQ822J
R 1401 (B,75,32) RS1/16SS221J
R 1402 (B,53,31) RS1/16SS104J
R 1405 (B,79,14) RS1/16SS104J

Q 1101 (B,64,52) Transistor LSC4081UB
Q 1102 (B,68,50) Transistor LSC4081UB
Q 1103 (B,64,57) Transistor 2SB1132
Q 1104 (B,64,45) Transistor 2SB1132
L 1003 (B,83,62) Inductor CTF1757

R 1406 (B,80,11) RS1/16SS472J
R 1480 (B,56,22) RAB4CQ560J
R 1481 (B,61,23) RAB4CQ560J
R 1482 (B,65,22) RAB4CQ560J
R 1483 (B,68,22) RAB4CQ560J

L 1004 (B,85,71) Inductor CTF1295
L 1500 (A,45,15) Inductor CTF1387
L 1512 (A,59,6) Inductor CTF1743
L 1900 (A,92,71) Inductor CTF1487
L 1901 (A,84,71) Inductor CTF1558

R 1484 (B,71,22) RAB4CQ560J
R 1485 (B,54,6) RAB4CQ560J
R 1486 (B,59,6) RAB4CQ560J
R 1487 (B,68,6) RAB4CQ560J
R 1488 (B,72,6) RAB4CQ560J

L 1902 (A,78,68) Inductor CTF1734
X 1501 (A,45,12) Oscillator 27.000 MHz CSS1768
F 1900 (A,89,72) Chip EMI Filter DTF1106
F 1901 (A,85,73) Chip EMI Filter DTL1106
CN1101 (A,42,44) Connector CKS5775

R 1489 (B,63,6) RS1/16SS560J
R 1490 (B,54,22) RS1/16SS560J
R 1501 (A,47,11) RS1/16SS122J
R 1503 (A,47,13) RS1/16SS105J
R 1504 (A,43,15) RS1/16SS100J

CN1201 (A,25,36) Connector CKS5859
CN1301 (B,91,13) Connector CKS5705
CN1901 (A,74,57) Connector CKS6025

R 1505 (A,48,15) RS1/16SS101J
R 1506 (A,41,16) RS1/16SS101J
R 1507 (A,42,17) RS1/16SS101J
R 1508 (A,47,17) RS1/16SS221J
R 1509 (A,66,39) RS1/16SS102J

RESISTORS

R 1101 (B,61,50) RS1/16SS104J
R 1102 (B,67,52) RS1/16SS104J
R 1103 (B,67,54) RS1/16SS391J
R 1104 (B,62,52) RS1/16SS511J
R 1105 (B,70,49) RS1/16SS391J

R 1510 (A,66,36) RS1/16SS102J
R 1512 (A,61,6) RS1/16SS101J
R 1513 (A,68,44) RS1/16SS103J
R 1514 (A,68,38) RS1/16SS183J
R 1515 (A,71,39) RS1/16SS472J

R 1106 (B,69,52) RS1/16SS561J
R 1109 (B,68,54) RS1/16SS3R3J
R 1110 (B,60,49) RS1/16SS3R3J
R 1111 (B,60,59) RS1/10SR2R2J
R 1112 (B,60,54) RS1/10SR2R2J

R 1516 (A,66,42) RS1/16SS104J
R 1517 (A,78,17) RS1/16SS103J
R 1518 (A,78,25) RS1/16SS103J
R 1519 (A,77,29) RS1/16SS102J
R 1522 (A,66,41) RS1/16SS104J

R 1113 (B,70,47) RS1/10SR2R2J
R 1114 (B,67,44) RS1/10SR2R2J
R 1115 (B,60,56) RS1/10SR2R2J
R 1116 (B,60,57) RS1/10SR2R2J
R 1117 (B,67,46) RS1/10SR2R2J

R 1523 (A,67,39) RS1/16SS221J
R 1524 (A,74,43) RS1/16SS472J
R 1525 (A,69,38) RS1/16SS223J
R 1526 (A,70,40) RS1/16SS103J
R 1527 (A,69,36) RS1/16SS223J

R 1118 (B,67,47) RS1/10SR2R2J
R 1200 (A,33,9) RS1/16SS753J
R 1201 (A,33,8) RS1/16SS753J
R 1205 (A,34,22) RS1/16SS1R0J
R 1210 (B,19,18) RS1/16SS101J

R 1528 (A,79,19) RS1/16SS103J
R 1529 (A,77,20) RS1/16SS103J
R 1530 (B,54,28) RS1/16SS104J
R 1531 (A,67,41) RS1/16SS391J
R 1534 (A,74,39) RS1/16SS221J

R 1211 (A,19,13) RS1/16SS102J

R 1535 (A,78,29) RS1/16SS101J

1

2

3

4

Circuit Symbol and No.**Part No.****Circuit Symbol and No.****Part No.**

R 1536	(A,72,39)	RS1/16SS104J	C 1207	(A,33,20)	CKSRYB104K16
R 1537	(A,73,41)	RS1/16SS104J	C 1208	(A,33,15)	CKSSYB104K16
R 1538	(A,64,7)	RS1/16SS104J	C 1212	(A,32,25)	CKSSYB104K16
R 1539	(A,79,32)	RS1/16SS101J	C 1213	(B,22,26)	CKSSYB222K50
R 1540	(A,73,40)	RS1/16SS221J	C 1214	(B,22,28)	CKSRYB104K16
R 1541	(A,75,41)	RS1/16SS221J	C 1218	(A,19,10)	CKSRYB104K16
R 1542	(A,76,34)	RS1/16SS104J	C 1219	(A,21,9)	CKSRYB104K16
R 1543	(A,70,38)	RS1/16SS561J	C 1220	(B,23,13)	CEVW101M16
R 1544	(A,77,34)	RS1/16SS104J	C 1401	(B,76,32)	CKSSYB103K16
R 1545	(A,78,21)	RS1/16SS103J	C 1403	(B,53,34)	CKSSYB104K10
R 1546	(A,78,23)	RS1/16SS103J	C 1404	(B,51,37)	CKSQYB475K6R3
R 1548	(A,77,30)	RS1/16SS101J	C 1408	(B,82,14)	CKSSYB104K10
R 1550	(B,49,27)	RS1/16SS6801D	C 1409	(B,79,15)	CKSQYB475K6R3
R 1551	(B,50,26)	RS1/16SS4702D	C 1480	(B,51,20)	CKSSYB104K10
R 1556	(A,61,48)	RS1/16SS472J	C 1481	(B,51,21)	CKSSYB104K10
R 1600	(A,44,26)	RS1/16SS0R0J	C 1482	(B,59,21)	CKSSYB104K10
R 1601	(A,47,24)	RS1/16SS123J	C 1484	(B,63,21)	CKSSYB104K10
R 1602	(A,43,25)	RS1/16SS123J	C 1485	(B,74,22)	CKSSYB104K10
R 1603	(A,42,28)	RN1/16SE1002D	C 1487	(B,62,6)	CKSSYB104K10
R 1604	(A,54,38)	RS1/16SS105J	C 1488	(B,57,6)	CKSSYB104K10
R 1605	(A,54,36)	RS1/16SS105J	C 1489	(B,75,18)	CKSQYB106K6R3
R 1611	(A,47,25)	RS1/16SS105J	C 1501	(B,47,31)	CKSQYB106K6R3
R 1702	(A,48,22)	RS1/16SS3002D	C 1502	(B,83,20)	CKSQYB106K6R3
R 1704	(A,42,22)	RS1/16SS2402D	C 1503	(A,63,6)	CKSSYB104K10
R 1705	(A,41,19)	RS1/16SS1002D	C 1504	(A,53,7)	CKSSYB104K10
R 1706	(A,42,20)	RS1/16SS101J	C 1505	(A,56,7)	CKSSYB104K10
R 1708	(B,52,23)	RS1/16SS2000D	C 1506	(A,58,7)	CKSSYB104K10
R 1801	(B,35,13)	RS1/16S0R0J	C 1507	(A,65,7)	CKSSYB104K10
R 1803	(B,39,21)	RS1/16SS821J	C 1508	(A,69,7)	CKSSYB104K10
R 1804	(B,39,20)	RS1/16SS821J	C 1509	(A,71,7)	CKSSYB104K10
R 1805	(B,32,17)	RS1/16SS104J	C 1510	(A,47,9)	CCSSCH120J50
R 1806	(B,36,16)	RS1/16SS104J	C 1511	(A,48,11)	CKSSYB104K10
R 1905	(A,81,66)	RS1/16SS101J	C 1512	(A,45,14)	CCSSCH100D50
R 1910	(A,79,69)	RS1/16SS101J	C 1513	(B,76,12)	CKSSYB104K10
R 1911	(A,69,49)	RS1/16SS101J	C 1514	(A,48,14)	CKSSYB104K10
R 1915	(A,64,48)	RS1/16SS0R0J	C 1515	(A,48,17)	CKSSYB104K10
			C 1516	(B,76,15)	CKSSYB104K10
			C 1517	(A,77,18)	CKSSYB104K10
			C 1518	(B,77,23)	CKSSYB104K10
			C 1519	(A,77,28)	CKSSYB104K10
			C 1520	(A,78,32)	CKSSYB104K10
			C 1521	(A,62,36)	CKSSYB104K10
			C 1522	(A,68,36)	CKSSYB104K10
			C 1523	(A,70,36)	CKSSYB471K50
			C 1524	(A,68,40)	CKSSYB473K10
			C 1525	(A,69,40)	CKSSYB103K16
			C 1526	(A,67,37)	CKSSYB103K16
			C 1528	(A,72,38)	CCSSCH471J16
			C 1529	(A,69,42)	CKSSYB103K16
			C 1530	(B,50,27)	CKSSYB104K10
			C 1531	(A,71,41)	CKSSYB473K16
			C 1601	(A,44,28)	CKSSYB103K16
			C 1602	(A,48,23)	CCSSCH101J50
			C 1603	(A,43,24)	CCSSCH101J50
			C 1604	(A,45,24)	CCSSCH680J50
			C 1605	(A,41,25)	CCSSCH680J50
			C 1606	(A,40,29)	CKSSYB104K10
			C 1607	(A,50,38)	CKSQYB106K6R3
			C 1608	(A,47,33)	CKSRYB105K10
			C 1609	(A,54,40)	CKSSYB104K10

CAPACITORS

C 1008	(B,79,63) 10 uF	DCH1201			
C 1009	(B,79,64) 10 uF	DCH1201			
C 1010	(B,79,55)	CKSQYB225K10			
C 1011	(B,78,53)	CKSRYB105K10			
C 1013	(B,84,66) 10 uF	DCH1201			
C 1014	(B,83,68) 10 uF	DCH1201			
C 1101	(B,70,54) 10 uF	DCH1201			
C 1104	(B,61,53)	CKSSYB104K10			
C 1105	(B,61,49)	CKSSYB104K10			
C 1106	(B,62,60)	CKSSYB103K16			
C 1107	(B,65,42)	CKSSYB103K16			
C 1108	(A,38,35)	CKSSYB103K16			
C 1109	(A,39,34)	CKSRYB224K10			
C 1110	(A,37,37)	CKSSYB103K16			
C 1111	(A,41,36)	CKSRYB224K10			
C 1112	(B,60,45) 22 uF	CCG1178			
C 1113	(B,68,57) 22 uF	CCG1178			
C 1201	(B,28,17)	CKSYB475K16			
C 1202	(B,28,20)	CKSSYB104K16			
C 1205	(A,33,23)	CKSSYB103K16			
C 1206	(A,36,23)	CKSRYB104K16			

1

2

3

4

5		6		7		8	
<u>Circuit Symbol and No.</u>		<u>Part No.</u>		<u>Circuit Symbol and No.</u>		<u>Part No.</u>	
C 1610	(A,55,38)	CKSSYB104K10			Pickup Unit(Service)	CXX2558	
C 1611	(A,55,36)	CKSSYB104K10		M 1	Motor Unit(LOADING)	CXC4912	
C 1612	(A,55,40)	CKSSYB104K10		M 2	Motor(STEPPNG)	CXM1364	
C 1613	(A,56,40)	CKSSYB104K10		M 3	Motor(SPINDLE)	CXM1405	A
					Fan Motor	CXM1262	
C 1614	(A,57,40)	CKSSYB104K10					
C 1615	(A,57,38)	CKSSYB104K10			Motor Unit(SLIDE)	CXC6638	
C 1616	(A,57,36)	CKSSYB104K10			Motor Unit(ANGLE)	CXC6639	
C 1617	(A,58,36)	CKSSYB104K10					
C 1618	(A,60,38)	CCSSCH101J50					
C 1619	(A,59,36)	CKSSYB562K25					
C 1620	(A,60,36)	CKSSYB224K6R3					
C 1621	(A,61,38)	CKSSYB224K6R3					
C 1622	(A,62,38)	CKSSYB333K16					
C 1623	(A,48,33)	CKSRYB105K10					
C 1624	(A,61,40)	CKSSYB104K10					B
C 1625	(A,60,40)	CKSSYB104K10					
C 1628	(A,47,26)	CKSSYB103K16					
C 1700	(A,48,21)	CKSSYB104K10					
C 1701	(A,47,19)	CKSSYB104K10					
C 1702	(A,41,23)	CKSRYB105K10					
C 1703	(A,44,22)	CKSSYB104K10					
C 1704	(A,40,22)	CKSSYB104K10					
C 1801	(A,82,50)	CKSSYB104K10					
C 1802	(B,50,16) 10 uF	DCH1201					
C 1805	(B,38,15)	CKSSYB104K10					C
C 1808	(B,32,19)	CCSRCH182J50					
C 1809	(B,35,19)	CCSRCH182J50					
C 1810	(B,33,18)	CKSQYB475K6R3					
C 1811	(B,36,18)	CKSQYB475K6R3					
C 1901	(B,35,10)	CKSRYB105K10					
C 1902	(B,39,8)	CKSRYB105K16					
C 1903	(B,33,7)	CKSSYB104K10					
C 1904	(A,70,46)	CCSSCH101J50					
C 1905	(A,86,70)	CKSSYB102K50					
C 1906	(B,75,63)	CKSSYB104K16					
C 1907	(B,70,58)	CKSQYB475K10					D
C 1908	(A,90,70)	CKSSYB102K50					

D

Unit Number : CWX3864

Unit Name : Compound Unit(A)

MISCELLANEOUS

S 1201	Switch(12 cm)	CSN1067
S 1202	Switch(8 cm)	CSN1067
S 1203	Spring Switch(DISC SENS)	CSN1069
S 1204	Spring Switch(DISC SENS)	CSN1070
S 1205	Switch(8 cm)	CSN1068

E

Unit Number : CWX3559

Unit Name : Compound Unit(B)

MISCELLANEOUS

S 1206	Switch(CLAMP)	CSN1067
--------	---------------	---------

Miscellaneous Parts List