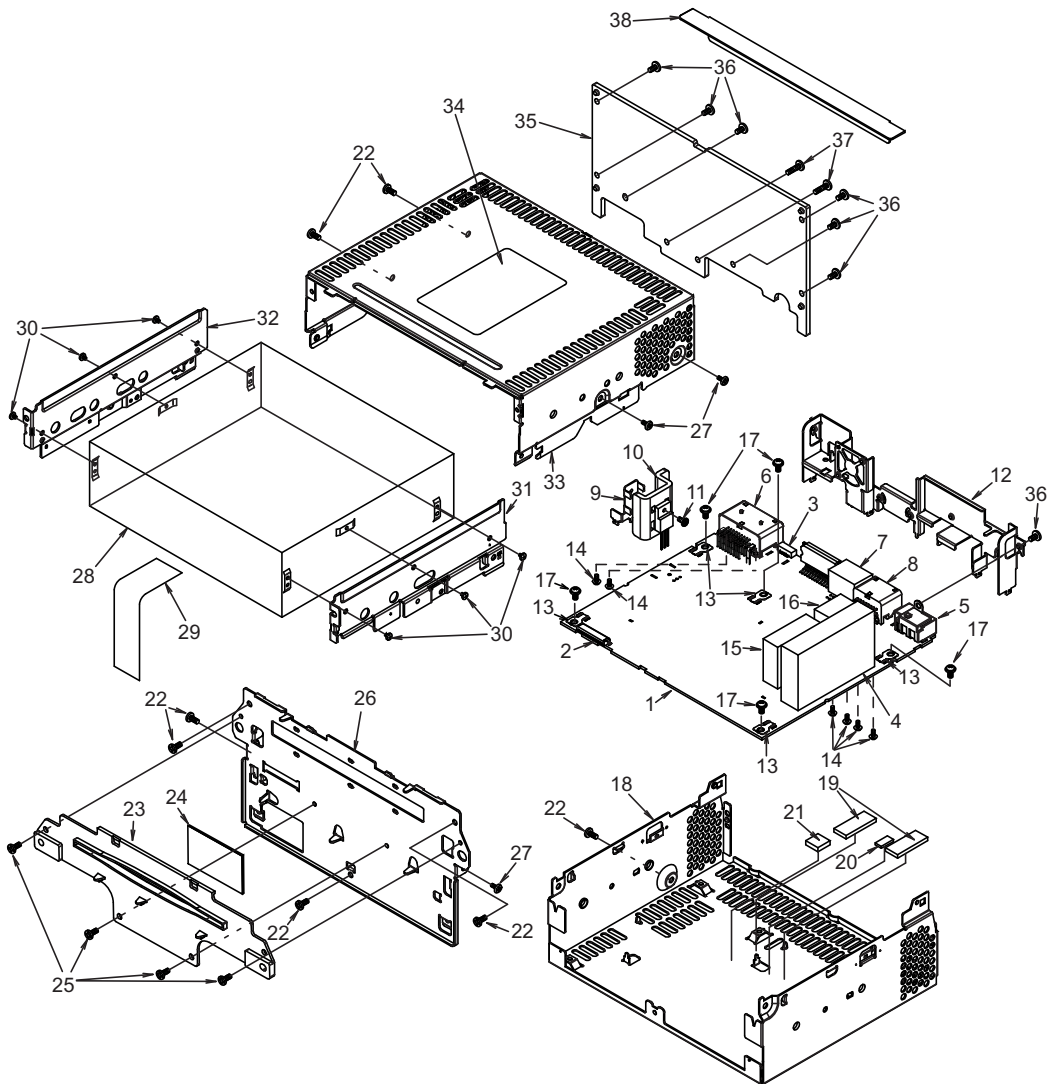


# EXPLODED VIEW/PARTS LIST



## Main section

\*(No.19-21) PN-3060H-A/P-A is not used.

NO.	PART NO.	DESCRIPTION	Q'TY
1	-----	MAIN PWB	1
2	074-1237-69	OUTLET SOCKET	1
3	076-0478-59	PLUG	1
4	880-2026B	TUNER PACK	1
5	092-2210-00	ANT-RECEPT	1
6	074-4009-20	OUTLET SOCKET	1
7	074-1302-08	OUTLET SOCKET	1
8	074-1302-12	OUTLET SOCKET	1
9	331-3880-00	TR-HOLDER	1
10	313-1967-00	HEAT SINK	1
11	716-1646-50	IT SCREW(2.6x8)	1
12	307-0722-00	REAR PLATE	1
13	073-0762-90	TERMINAL	5
14	778-3006-00	TAP-SCREW(M3x5)	6
15	880-1761A	TUNER PACK	1
16	881-0003D	ANT-DIST BLOCK	1
17	716-0878-50	SCREW(M2.6x5)	5
18	311-1954-01	LOWER CASE	1
19	345-6278-00	RUBBER SHEET	1
20	345-6279-00	RUBBER SHEET	1

NO.	PART NO.	DESCRIPTION	Q'TY
21	345-6280-00	RUBBER SHEET	1
22	714-2606-8B	MACHINE SCREW(M2.6x6)	7
23	335-8240-00	DISC GUIDE	1
24	347-8469-00	SHIELD PART	1
25	716-3642-00	SCREW(M2.6x5)	4
26	309-0854-00	ES PLATE	4
27	716-3504-60	SCREW(M2.6x5)	3
28	929-0390-82	CD-CHANG-MODULE	1
29	816-4054-50	FLAT WIRE	1
30	716-3552-00	SCREW(M2.3x2.5)	6
31	331-4530-00	6CD BRKT(R)	1
32	331-4091-10	6CD BRKT(L)	1
33	310-1873-00	UPPER CASE	1
34	276-0429-01	SETPLATE(for PN3060HA)	1
	276-0429-02	SETPLATE(for PP3060DA)	1
	276-0429-03	SETPLATE(for PN3060PA)	1
	276-0429-04	SETPLATE(for PP3060DB)	1
	276-0429-05	SETPLATE(for PP3060PA)	1
35	313-1980-10	HEAT SINK	1
36	714-2608-8B	MACHINE SCREW(M2.6x8)	7
37	714-2612-89	MACHINE SCREW(M2.6x12)	2
38	347-8174-00	SHEED	1

## Caution of assembling

When installing this unit into a vehicle, this unit side is equipped with an attachment bracket. In assembling the upper block(CD changer module) and the lower block(main unit) of the unit, please use the "Attachment jig". (P/No.PN-2813-MOB)

After assembling, please check the attachment position of

## ELECTRICAL PARTS LIST

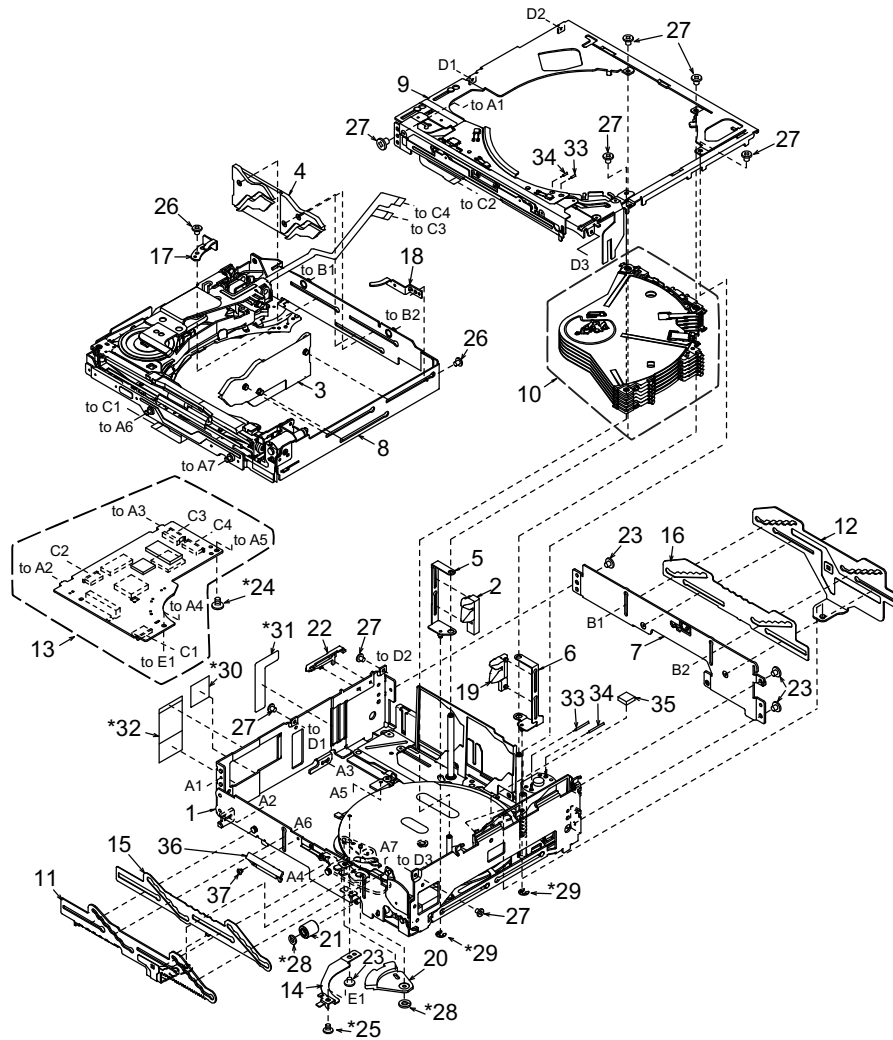
### Main PWB(B1) section

REF No.	PART No.	DESCRIPTION	REF No.	PART No.	DESCRIPTION	REF No.	PART No.	DESCRIPTION
ANT101	092-2210-00	ANTENNA RECEPT	C250	168-1022-55	1000pF K	C349	168-1042-78	16V 0.1uF
BL101	881-0003D	ANT DIST BLOCK	C251	168-1022-55	1000pF K	C350	163-2273-25	10V 220uF
BL102	880-2026B	AM/FM TUNER PACK	C252	168-1022-55	1000pF K	C351	168-4732-78	0.047uF K
BL103	880-1761A	RDS TUNER PACK	C253	168-1022-55	1000pF K	C352	163-2263-35	16V 22uF
C103	166-1511-50	150pF CH	C264	166-2201-50	22pF CH	C354	166-1011-50	100pF CH
C104	163-4763-35	16V 47uF	C265	166-2201-50	22pF CH	C355	163-3373-15	6.3V 330uF
C128	166-2201-50	22pF CH	C266	043-0548-50	10V 2.2uF	C356	163-2263-35	16V 22uF
C130	168-2222-55	2200pF K	C267	043-0548-50	10V 2.2uF	C357	168-1042-78	16V 0.1uF
C134	166-1011-50	100pF CH	C268	166-2201-50	22pF CH	C358	168-1042-78	16V 0.1uF
C136	166-1011-50	100pF CH	C269	166-2201-50	22pF CH	C359	163-3373-15	6.3V 330uF
C137	168-1022-55	1000pF K	C270	178-4732-78	0.047uF	C360	168-1022-55	1000pF K
C138	168-1022-55	1000pF K	C271	178-4732-78	0.047uF	C361	163-1063-35	16V 10uF
C142	168-1022-55	1000pF K	C272	178-4732-78	0.047uF	C362	168-1042-78	16V 0.1uF
C143	163-1073-35	16V 100uF	C273	178-4732-78	0.047uF	C401	168-1042-78	16V 0.1uF
C144	168-2222-55	2200pF K	C274	168-8222-55	8200pF K	C402	168-1042-78	16V 0.1uF
C146	166-1011-50	100pF CH	C275	168-8222-55	8200pF K	C403	166-2201-50	22pF CH
C147	166-1011-50	100pF CH	C276	168-8222-55	8200pF K	C404	166-1201-50	12pF CH
C149	168-1022-55	1000pF K	C277	168-8222-55	8200pF K	C405	166-2201-50	22pF CH
C150	168-1022-55	1000pF K	C278	166-2201-50	22pF CH	C406	166-1201-50	12pF CH
C153	168-1022-55	1000pF K	C279	166-2201-50	22pF CH	C407	168-1042-78	16V 0.1uF
C154	163-1073-35	16V 100uF	C280	043-0548-50	10V 2.2uF	C408	163-4763-15	6.3V 47uF
C163	168-2222-55	2200pF K	C281	043-0548-50	10V 2.2uF	C409	168-1042-78	16V 0.1uF
C170	168-4732-78	0.047uF K	C282	043-0548-50	10V 2.2uF	C410	168-4722-55	4700pF K
C171	168-4732-78	0.047uF K	C283	043-0548-50	10V 2.2uF	C411	168-1042-78	16V 0.1uF
C172	163-1063-35	16V 10uF	C301	168-2222-55	2200pF K	C412	168-1032-55	0.01uF K
C173	168-1022-55	1000pF K	C302	168-2222-55	2200pF K	C417	166-1511-50	150pF CH
C174	163-1063-35	16V 10uF	C303	168-2222-55	2200pF K	C501	168-1042-78	16V 0.1uF
C175	168-4732-78	0.047uF K	C304	168-2222-55	2200pF K	C502	168-1042-78	16V 0.1uF
C176	168-3322-55	3300pF K	C306	168-1042-78	16V 0.1uF	C503	168-1042-78	16V 0.1uF
C177	168-2232-55	0.022uF K	C307	168-1022-55	1000pF K	C504	168-1042-78	16V 0.1uF
C178	168-2232-55	0.022uF K	C308	168-2222-55	2200pF K	C505	166-5611-50	560pF CH
C179	168-4732-78	0.047uF K	C311	168-1022-55	1000pF K	C506	166-5611-50	560pF CH
C180	168-4732-78	0.047uF K	C312	168-1022-55	1000pF K	C507	166-5611-50	560pF CH
C181	163-4763-35	16V 47uF	C313	168-1042-78	16V 0.1uF	C508	166-5611-50	560pF CH
C182	178-1042-78	0.1uF	C314	168-1042-78	16V 0.1uF	C509	166-2201-50	22pF CH
C183	166-5611-50	560pF CH	C315	168-1042-78	16V 0.1uF	C510	166-2201-50	22pF CH
C184	168-1022-55	1000pF K	C316	166-8097-50	8pF C CH	C511	168-1042-78	16V 0.1uF
C185	168-1032-55	0.01uF K	C317	168-1042-78	16V 0.1uF	C513	166-2201-50	22pF CH
C186	166-4701-50	47pF CH	C318	168-4712-55	470pF K	C514	166-2201-50	22pF CH
C187	166-3311-50	330pF CH	C319	166-8097-50	8pF C CH	C516	166-5611-50	560pF CH
C188	178-1042-78	0.1uF	C320	166-1811-50	180pF CH	C517	166-5611-50	560pF CH
C189	178-2255-79	2.2uF	C321	168-1022-55	1000pF K	C518	043-0554-90	25V 10uF
C190	166-5601-50	56pF CH	C323	168-1022-55	1000pF K	C519	166-5611-50	560pF CH
C191	166-6801-50	68pF CH	C325	168-1022-55	1000pF K	C520	166-5611-50	560pF CH
C192	166-2711-50	270pF	C326	168-3322-55	3300pF K	C522	163-1063-35	16V 10uF
C193	168-2232-55	0.022uF K	C327	168-1042-78	16V 0.1uF	C525	043-0554-90	25V 10uF
C194	166-1811-50	180pF CH	C328	168-3322-55	3300pF K	C526	043-0328-90	0.1uF
C195	166-2711-50	270pF	C329	168-1022-55	1000pF K	C528	168-1022-55	1000pF K
C196	166-1811-50	180pF CH	C330	168-1022-55	1000pF K	C529	168-5622-55	5600pF K
C197	166-6801-50	68pF CH	C331	163-4753-65	50V 4.7uF	C531	168-6822-55	6800pF K
C198	166-2201-50	22pF CH	C332	168-1042-78	16V 0.1uF	C533	168-5632-78	16V 0.056uF
C200	043-0548-50	10V 2.2uF	C333	168-1022-55	1000pF K	C534	168-5632-78	16V 0.056uF
C201	043-0548-50	10V 2.2uF	C334	166-1011-50	100pF CH	C535	168-5632-78	16V 0.056uF
C205	043-0548-50	10V 2.2uF	C336	168-3322-55	3300pF K	C536	168-5632-78	16V 0.056uF
C206	043-0548-50	10V 2.2uF	C337	168-1022-55	1000pF K	C537	178-1052-78	1uF
C223	163-4763-35	16V 47uF	C338	168-3322-55	3300pF K	C540	042-0579-51	16V 10uF
C225	168-1042-78	16V 0.1uF	C340	042-0643-52	6.3V 1000uF	C542	166-2201-50	22pF CH
C226	168-1042-78	16V 0.1uF	C342	168-1022-55	1000pF K	C543	166-2201-50	22pF CH
C228	163-2273-25	10V 220uF	C343	168-1042-78	16V 0.1uF	C544	166-2201-50	22pF CH
C230	168-1042-78	16V 0.1uF	C344	163-4753-65	50V 4.7uF	C545	166-2201-50	22pF CH
C231	163-1063-35	16V 10uF	C345	168-1042-78	16V 0.1uF	C546	168-1042-78	16V 0.1uF
C232	163-1063-35	16V 10uF	C346	163-4753-65	50V 4.7uF	C547	178-1052-78	1uF
C233	168-1042-78	16V 0.1uF	C347	168-3332-78	0.033uF K	C548	163-4763-35	16V 47uF
			C348	178-1052-78	1uF	C549	163-2273-25	10V 220uF

REF No.	PART No.	DESCRIPTION	REF No.	PART No.	DESCRIPTION	REF No.	PART No.	DESCRIPTION	REF No.	PART No.	DESCRIPTION	REF No.	PART No.	DESCRIPTION	REF No.	PART No.	DESCRIPTION
C550	168-2212-55	220P F K	J250	074-1302-08	SOCKET (TH08)	R138	119-1011-15	1/10W 100 ohm	R302	119-3921-15	1/10W 3.9k ohm	R402	119-1021-15	1/10W 1k ohm	R514	119-1051-15	1/10W 1M ohm
C551	166-2201-50	22pF CH	J502	074-4009-20	SOCKET(20P)	R139	119-1011-15	1/10W 100 ohm	R303	119-3921-15	1/10W 3.9k ohm	R403	119-1021-15	1/10W 1k ohm	R515	119-1051-15	1/10W 1M ohm
C552	042-0592-61	16V 47uF	L170	010-2174-86	1mH	R140	119-1011-15	1/10W 100 ohm	R304	010-3104-54	600 ohm/100MHz	R404	119-0000-05	1/10W 0 ohm JW	R517	119-1051-15	1/10W 1M ohm
C553	042-0592-61	16V 47uF	L171	010-3103-68	2.5k ohm/100MHz	R141	119-1011-15	1/10W 100 ohm	R305	119-3921-15	1/10W 3.9k ohm	R405	119-1021-15	1/10W 1k ohm	R518	119-1051-15	1/10W 1M ohm
C556	043-0499-51	0.1uF	L172	010-2174-66	22uH	R142	119-1011-15	1/10W 100 ohm	R306	119-3921-15	1/10W 3.9k ohm	R406	119-1021-15	1/10W 1k ohm	R519	119-1051-15	1/10W 1M ohm
C557	163-4763-35	16V 47uF	L190	010-3105-70	240ohm/100MHz	R151	119-1011-15	1/10W 100 ohm	R307	119-1021-15	1/10W 1k ohm	R407	119-1021-15	1/10W 1k ohm	R520	119-1031-15	1/10W 10k ohm
C559	168-6822-55	6800pF K	L191	010-3103-68	2.5k ohm/100MHz	R153	119-1011-15	1/10W 100 ohm	R308	119-1021-15	1/10W 1k ohm	R408	119-1021-15	1/10W 1k ohm	R521	119-1031-15	1/10W 10k ohm
C560	168-6822-55	6800pF K	L203	119-0000-05	1/10W 0 ohm JW	R154	119-1011-15	1/10W 100 ohm	R309	119-1021-15	1/10W 1k ohm	R409	119-4721-15	1/10W 4.7k ohm	R522	119-1031-15	1/10W 10k ohm
C561	168-6822-55	6800pF K	L208	119-0000-05	1/10W 0 ohm JW	R155	119-1011-15	1/10W 100 ohm	R310	119-1031-15	1/10W 10k ohm	R410	119-1021-15	1/10W 1k ohm	R524	119-1031-15	1/10W 10k ohm
C562	168-6822-55	6800pF K	L209	119-0000-05	1/10W 0 ohm JW	R156	119-1011-15	1/10W 100 ohm	R311	119-1031-15	1/10W 10k ohm	R411	119-4711-15	1/10W 470 ohm	R525	119-1031-15	1/10W 10k ohm
C563	168-6822-55	6800pF K	L210	119-0000-05	1/10W 0 ohm JW	R157	116-1091-15	1/4W 1 ohm	R312	119-0000-05	1/10W 0 ohm JW	R412	119-4711-15	1/10W 470 ohm	R527	116-1221-15	1/4W 1.2k ohm
C564	042-0427-94	16V 47uF TAN	L301	010-3104-54	600 ohm/100MHz	R162	119-0000-05	1/10W 0 ohm JW	R313	119-0000-05	1/10W 0 ohm JW	R414	119-4721-15	1/10W 4.7k ohm	R528	119-0000-05	1/10W 0 ohm JW
C565	168-6822-55	6800pF K	L302	010-3104-54	600 ohm/100MHz	R163	119-0000-05	1/10W 0 ohm JW	R314	119-1021-15	1/10W 1k ohm	R415	119-4721-15	1/10W 4.7k ohm	R530	032-0140-50	1/10W 10k ohm F
C566	168-6822-55	6800pF K	L303	010-3104-54	600 ohm/100MHz	R164	119-0000-05	1/10W 0 ohm JW	R315	119-4731-15	1/10W 47k ohm	R416	119-4731-15	1/10W 47k ohm	R531	032-0140-80	1/10W 18k ohm F
C567	168-1042-78	16V 0.1uF	L304	010-3104-54	600 ohm/100MHz	R165	119-0000-05	1/10W 0 ohm JW	R316	119-4731-15	1/10W 47k ohm	R417	119-4731-15	1/10W 47k ohm	R532	116-1091-15	1/4W 1.2k ohm
C568	168-6822-55	6800pF K	L305	010-3104-54	600 ohm/100MHz	R170	119-6831-15	1/10W 68k ohm	R317	119-4731-15	1/10W 47k ohm	R420	119-1511-15	1/10W 150 ohm	R533	116-1221-15	1/4W 1.2k ohm
C569	168-6822-55	6800pF K	L306	010-3104-54	600 ohm/100MHz	R171	119-4791-15	1/10W 4.7 ohm	R318	010-3104-54	600 ohm/100MHz	R421	119-1041-15	1/10W 100k ohm	R534	119-1031-15	1/10W 10k ohm
C570	168-1042-78	16V 0.1uF	L307	010-3104-54	600 ohm/100MHz	R172	119-0000-05	1/10W 0 ohm JW	R319	119-1031-15	1/10W 10k ohm	R422	119-1011-15	1/10W 10k ohm	R535	119-1031-15	1/10W 10k ohm
C571	042-0627-90	16V 100uF	L308	010-3104-54	600 ohm/100MHz	R173	119-0000-05	1/10W 0 ohm JW	R320	119-4731-15	1/10W 47k ohm	R423	119-1011-15	1/10W 100 ohm	R536	119-1021-15	1/10W 1k ohm
C572	178-1052-78	1uF	L309	010-3104-54	600 ohm/100MHz	R174	119-1011-15	1/10W 100 ohm	R321	119-4731-15	1/10W 47k ohm	R424	119-1011-15	1/10W 100 ohm	R537	119-4721-15	1/10W 4.7k ohm
C574	163-1063-35	16V 10uF	L310	010-3104-54	600 ohm/100MHz	R175	119-1821-15	1/10W 1.8k ohm	R322	119-4731-15	1/10W 47k ohm	R425	119-1011-15	1/10W 100 ohm	R538	119-2221-15	1/10W 2.2k ohm
C575	168-2232-55	0.22uF K	L311	010-3104-54	600 ohm/100MHz	R176	119-1031-15	1/10W 10k ohm	R323	119-4731-15	1/10W 47k ohm	R426	119-1011-15	1/10W 100 ohm	R539	119-1041-15	1/10W 100k ohm
C577	166-4701-50	47pF CH	L312	010-3104-54	600 ohm/100MHz	R177	119-4731-15	1/10W 47k ohm	R325	119-1031-15	1/10W 10k ohm	R427	119-1011-15	1/10W 100 ohm	R543	119-0000-05	1/10W 0 ohm JW
C578	163-4763-35	16V 47uF	L313	010-3104-54	600 ohm/100MHz	R178	119-1231-15	1/10W 12k ohm	R326	119-0000-05	1/10W 0 ohm JW	R428	119-1031-15	1/10W 10k ohm	R544	119-0000-05	1/10W 0 ohm JW
C579	168-1042-78	16V 0.1uF	L401	010-3601-50	600 ohm/100MHz	R179	119-1041-15	1/10W 100k ohm	R327	119-4731-15	1/10W 47k ohm	R429	119-1031-15	1/10W 10k ohm	R545	119-0000-05	1/10W 0 ohm JW
C580	178-2242-78	0.22uF	L402	010-3406-54	2.2uH J	R180	119-2211-15	1/10W 220 ohm	R328	119-1011-15	1/10W 100 ohm	R433	119-1031-15	1/10W 10k ohm	R546	119-0000-05	1/10W 0 ohm JW
C581	178-2242-78	0.22uF	L403	010-3104-54	600 ohm/100MHz	R181	119-1021-15	1/10W 1k ohm	R329	119-1021-15	1/10W 1k ohm	R436	119-1021-15	1/10W 1k ohm	R553	119-1031-15	1/10W 10k ohm
C582	163-1073-35	16V 100uF	L501	010-3104-54	600 ohm/100MHz	R182	119-1021-15	1/10W 1k ohm	R330	119-0000-05	1/10W 0 ohm JW	R437	119-1021-15	1/10W 1k ohm	R554	119-1031-15	1/10W 10k ohm
C583	166-5611-50	560pF CH	L503	010-3104-54	600 ohm/100MHz	R2013	032-0148-56	1/16W 68k ohm	R331	119-1021-15	1/10W 1k ohm	R440	119-4731-15	1/10W 47k ohm	R557	119-4721-15	1/10W 4.7k ohm
C584	163-1063-35	16V 10uF	L504	010-3074-51	5.4uH	R2014	032-0148-56	1/16W 68k ohm	R332	119-1001-15	1/10W 10 ohm	R441	119-1021-15	1/10W 1k ohm	R563	116-3311-15	1/4W 330 ohm
C585	166-4701-50	47pF CH	L505	010-3104-54	600 ohm/100MHz	R2015	032-0148-56	1/16W 68k ohm	R333	119-2201-15	1/10W 22 ohm	R442	119-1031-15	1/10W 10k ohm	R564	116-1221-15	1/4W 1.2k ohm
CCT403	050-0145-52	1/16W 1k ohm x4	L506	010-3104-54	600 ohm/100MHz	R2016	032-0148-56	1/16W 68k ohm	R334	119-1011-15	1/10W 100 ohm	R443	119-4731-15	1/10W 47k ohm	R565	116-1221-15	1/4W 1.2k ohm
CCT404	050-0145-52	1/16W 1k ohm x4	P401	076-0478-59	9P	R2017	032-0148-51	1/10W 47k ohm	R335	119-1011-15	1/10W 100 ohm	R445	119-0000-05	1/10W 0 ohm JW	R566	119-1521-15	1/10W 1.5k ohm
D170	001-0367-91	1SS226	Q170	125-2004-92	RN1402	R2018	032-0148-51	1/10W 47k ohm	R336	119-0000-05	1/10W 0 ohm JW	R446	119-4731-15	1/10W 47k ohm	R567	119-4721-15	1/10W 4.7k ohm
D202	001-0516-90	MA111	Q201	192-4116-00	2SC4116	R2019	032-0148-51	1/10W 47k ohm	R337	119-0000-05	1/10W 0 ohm JW	R447	119-1031-15	1/10W 10k ohm	R568	116-1221-15	1/4W 1.2k ohm
D216	001-9210-50	AVR-	Q203	125-2026-91	UN5211	R2020	119-0000-05	1/10W 0 ohm JW	R338	119-0000-05	1/10W 0 ohm JW	R448	119-4731-15	1/10W 47k ohm	R569	116-1221-15	1/4W 1.2k ohm
D217	001-9210-50	AVR- M1608C270MTAAD	Q204	125-0020-96	UN5110-Q,R,S	R2020	032-0148-51	1/10W 47k ohm	R339	119-0000-05	1/10W 0 ohm JW	R449	119-1021-15	1/10W 1k ohm	R570	119-1031-15	1/10W 10k ohm
D218	001-9210-50	AVR- M1608C270MTAAD	Q205	125-0020-91	UN5111	R2023	119-0000-05	1/10W 0 ohm JW	R340	032-0140-63	1/10W 27k ohm F	R450	119-1021-15	1/10W 1k ohm	R571	119-4721-15	1/10W 4.7k ohm
D219	001-9210-50	AVR- M1608C270MTAAD	Q206	198-3018-00	2SK3018	R2024	119-0000-05	1/10W 0 ohm JW	R341	032-0140-63	1/10W 27k ohm F	R451	119-4731-15	1/10W 47k ohm	R572	119-1031-15	1/10W 10k ohm
			Q207	198-3018-00	2SK3018	R2025	119-0000-05	1/10W 0 ohm JW	R342	032-0140-63	1/10W 27k ohm F	R452	119-4731-15	1/10W 47k ohm	R573	032-0148-50	1/10W 100k ohm
			Q208	125-2026-91	UN5211	R2026	119-0000-05	1/10W 0 ohm JW	R343	032-0140-63	1/10W 27k ohm F	R453	119-4731-15	1/10W 47k ohm	R574	032-0140-16	1/10W 180k ohm F
			Q211	125-2026-91	UN5211	R2027	119-2721-15	1/10W 2.7k ohm	R344	119-4731-15	1/10W 47k ohm	R454	119-4731-15	1/10W 47k ohm	R575	116-2721-15	1/4W 2.7k ohm
			Q221	125-2026-91	UN5211	R2028	119-1021-15	1/10W 1k ohm	R345	119-4731-15	1/10W 47k ohm	R455	119-2231-15	1/10W 22k ohm	R576	116-1531-15	1/4W 15k ohm
502	001-2624-90	RB501V-40	Q222	125-9017-92	UMD3N-TR	R233	119-1021-15	1/10W 1k ohm	R346	119-0000-05	1/10W 0 ohm JW	R456	119-4731-15	1/10W 47k ohm	R579	116-2721-15	1/4W 2.7k ohm
D504	001-2627-90	SSA24	Q301	125-2026-91	UN5211	R210	119-0000-05	1/10W 0 ohm JW	R347	119-0000-05	1/10W 0 ohm JW	R458	119-1011-15	1/10W 10k ohm	R581	119-1031-15	1/10W 10k ohm
D506	001-0529-47	MA8091-M	Q302	125-2026-91	UN5211	R212	119-3331-15	1/10W 33k ohm	R348	032-0140-50	1/10W 10k ohm F	R459	119-1011-15	1/10W 100 ohm	R582	119-5611-15	1/10W 560 ohm
508	001-0529-47	MA8091-M	Q304	125-2026-91	UN5211	R215	119-4731-15	1/10W 47k ohm	R349	032-0140-50	1/10W 10k ohm F	R460	119-4721-15	1/10W 4.7k ohm	R583	116-4791-15	1/4W 4.7 ohm
D511	001-0516-90	MA111	Q305	125-2026-91	UN5211	R220	119-1041-15	1/10W 100k ohm	R350	032-0140-50	1/10W 10k ohm F	R461	119-4721-15	1/10W 4.7k ohm	R584	116-4791-15	1/4W 4.7 ohm
D512	001-0529-48	MA8091-H	Q306	125-2026-91	UN5211	R224	119-3331-15	1/10W 33k ohm	R351	032-0140-50	1/10W 10k ohm F	R462	119-1021-15	1/10W 1k ohm	R586	119-0000-05	1/10W 0 ohm JW
D513	001-2403-90	M1F60	Q307	125-2026-91	UN5211	R225	119-0000-05	1/10W 0 ohm JW	R352	119-1041-15	1/10W 100k ohm	R463	119-1021-15	1/10W 1k ohm	R594	119-1051-15	1/10W 1M ohm
D514	001-0516-90	MA111	Q308	125-2026-91	UN5211	R227	119-4731-15	1/10W 47k ohm	R353	119-1041-15	1/10W 100k ohm	R464	119-1011-15	1/10W 100 ohm	R595	119-0000-05	1/10W 0 ohm JW
D515	001-0529-34	MA8062-L	Q309	125-2026-91	UN5211	R229	119-3331-15	1/10W 33k ohm	R354	119-1041-15	1/10W 100k ohm	R465	119-1011-				

# EXPLODED VIEW/PARTS LIST

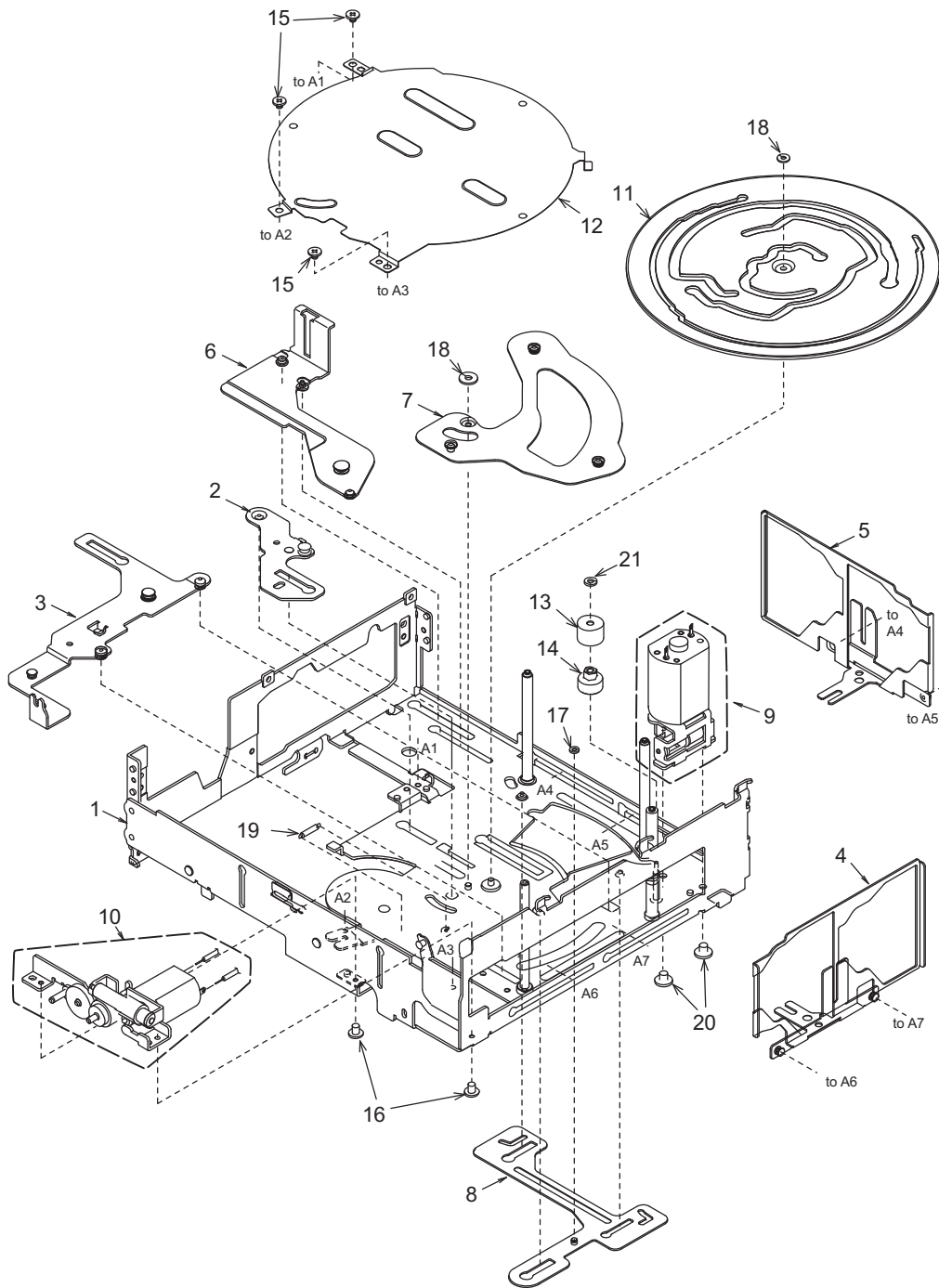
## Main section



\* Do not reuse the following parts.  
(No.24,25,28,29,30,31,32)

NO.	PART NO.	DESCRIPTION	Q'TY	NO.	PART NO.	DESCRIPTION	Q'TY
1	HBS-610-100	LOWER UNIT ASSY	1	20	621-1636-24	SW LINK	1
2	966-0667-21	DISC STP-ASSY L	1	21	621-1765-20	UD-GEAR-D	1
3	HBS-584-100	DH-SEL-ASSY S	1	22	621-1715-20	FPC-STOPPER	1
4	HBS-583-100	DH-SEL-ASSY R	1	23	716-1850-01	SCREW (M2.0x2.0)	4
5	966-0670-22	DS-SP-ASSY L	1	24	716-3629-00	SCREW (M2.0x2.5)	1
6	966-0671-23	DS-SP-ASSY R	1	25	716-1851-03	SCREW (M2.0x3.0)	1
7	966-0672-21	REAR-P-ASSY	1	26	716-3450-00	SCREW (M1.7x2.0)	2
8	966-1871-21	N-DRIVE-CH UNIT	1	27	716-3451-01	SCREW (M1.7x2.5)	8
9	966-1764-23	UPPRR UNIT ASSY	1	28	746-0761-00	WASHER	2
10	HBS-566-300	DISCHOLDER UNIT	1	29	744-0045-01	C-RING	2
11	966-1771-21	SLIDE-P-ASSY F	1	30	347-7271-00	FPC SHEET	1
12	966-0709-21	SLIDE-P-ASSY R	1	31	347-7275-00	PROTECT SHEET	1
13	HBS-605-100	CD-PWB-ASSY	1	32	347-7276-00	FPC-SHEET C	1
14	620-1640-20	SW-H-PLATE	1	33	800-4921-60	VINYL-COAT WIRE	1
15	620-1778-21	GAP PLATE F	1	34	802-4921-60	VINYL-COAT WIRE	1
16	620-1662-21	GAP PLATE R	1	35	345-5824-00	RUBBER PART	1
17	620-1685-21	DS-PLATE L	1	36	621-1763-20	LOADING GUIDE B	1
18	620-1686-20	DS-PLATE R	1	37	716-1859-01	SCREW (M1.7x2.0)	1
19	621-1634-23	DISC STOPPER R	1				

Lower unit assy section


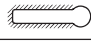

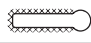
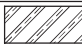
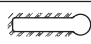




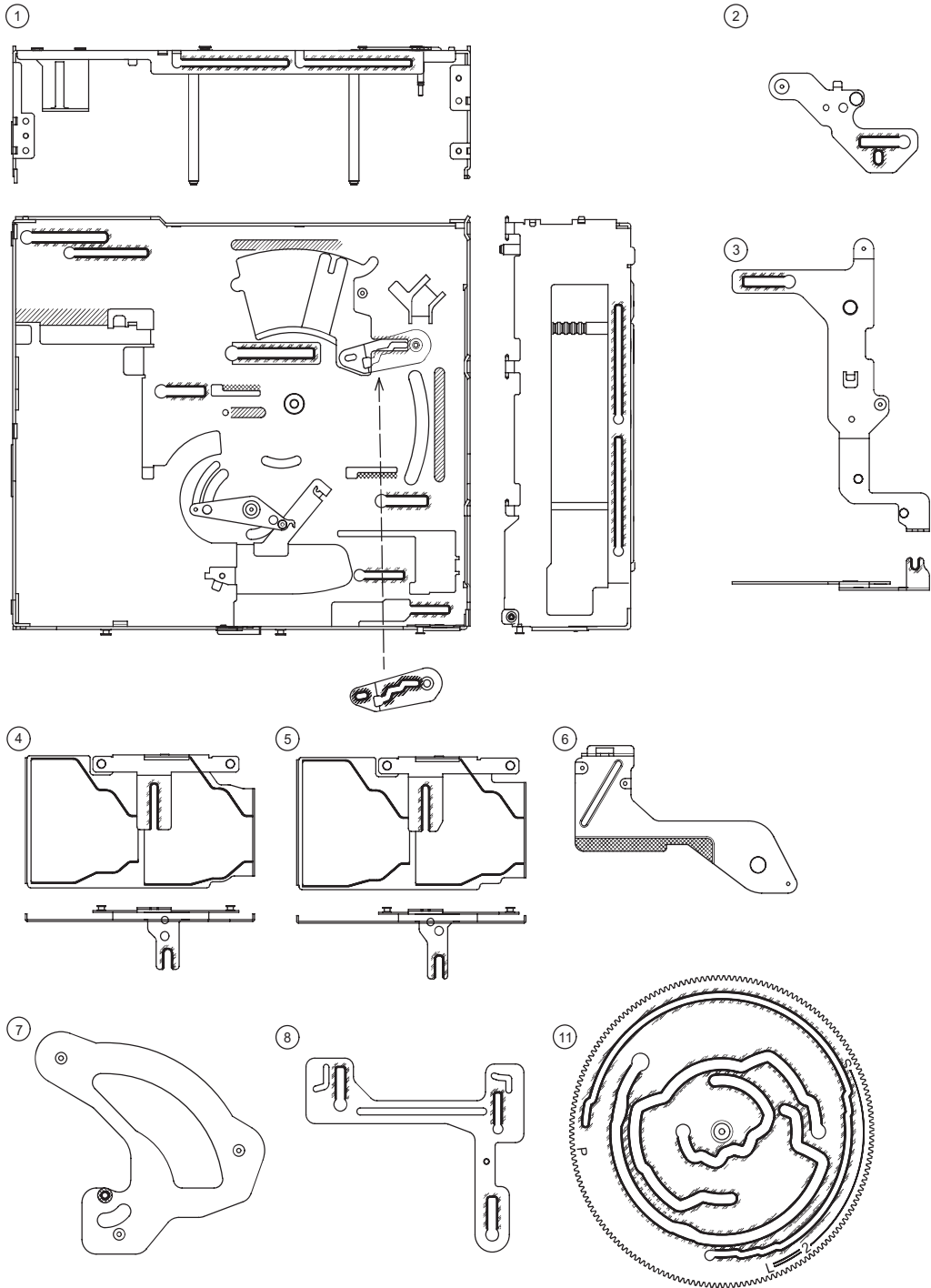
NO.	PART NO.	DESCRIPTION	Q'TY
1	966-1869-00	LOWER-C-ASSY	1
2	966-0658-22	DH-SP-ASSY A	1
3	966-1758-20	DS-SP-ASSY A	1
4	966-1808-20	DH-SP-ASSY S	1
5	966-1809-20	DH-SP-ASSY R	1
6	966-0677-24	D-SHT PL-B-ASSY	1
7	966-0659-22	DH-SP-ASSY B	1
8	966-0666-22	DS-SP-ASSY B	1
9	HBS-546-100	M-MTR SUB ASSY	1
10	HBS-568-200	UD-MOTOR-ASSY	1
11	620-1623-24	CAM GEAR	1

NO.	PART NO.	DESCRIPTION	Q'TY
12	620-1624-24	GEAR COVER	1
13	621-0732-21	M-GEAR B	1
14	621-0733-20	M-GEAR C	1
15	716-1850-01	SCREW(M2.0x2.0)	3
16	716-3451-01	SCREW(M1.7x2.5)	2
17	746-0761-00	WASHER	1
18	746-0768-00	WASHER	2
19	750-6756-20	SW-L-SPRING	1
20	716-1851-03	SCREW(M2.0x3.0)	2
21	746-0941-00	WASHER	1

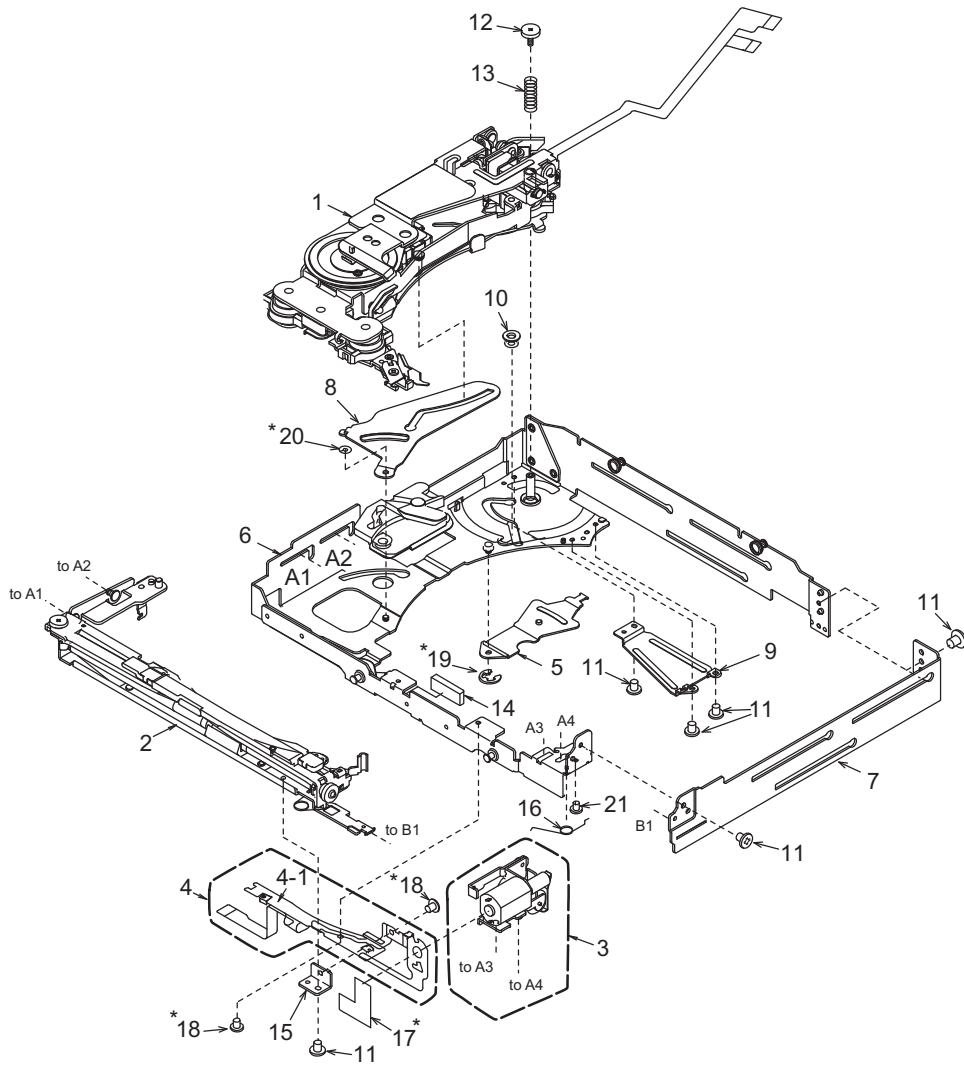
**[Grease Point]**

\* Grease : SANKOL FG-87HSR

	Put grease on the surface	
	Put grease on the reverse side	
	Put grease on the both sides	
	Put grease on the edge	



N-Drive-CH unit section


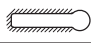

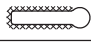






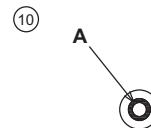
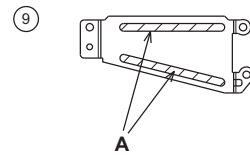
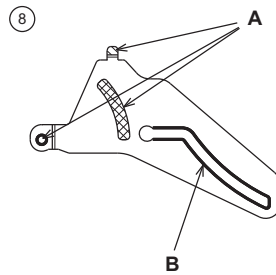
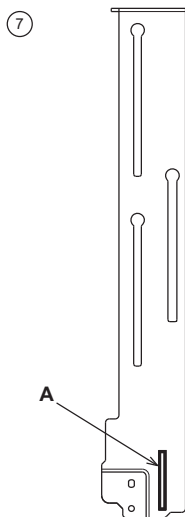
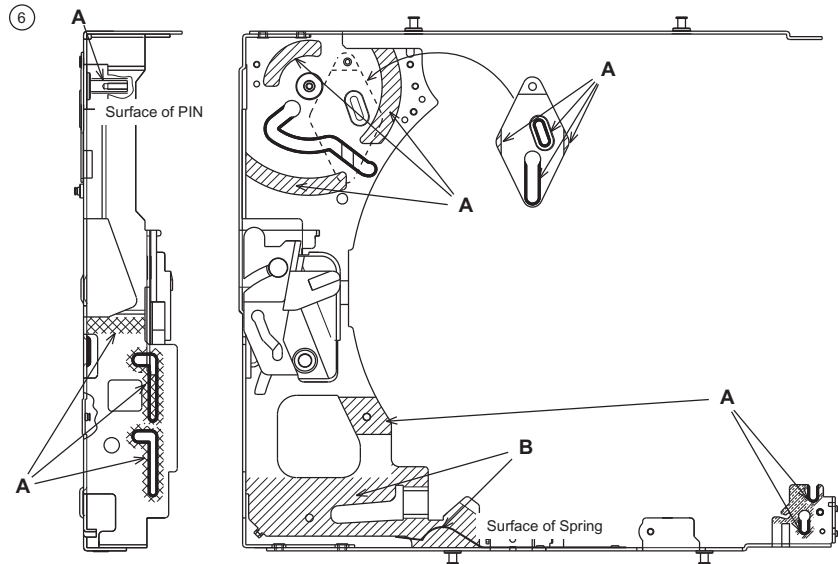
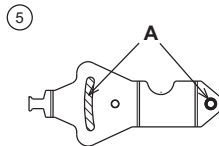
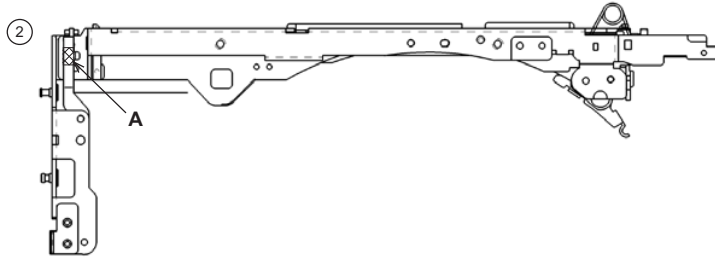
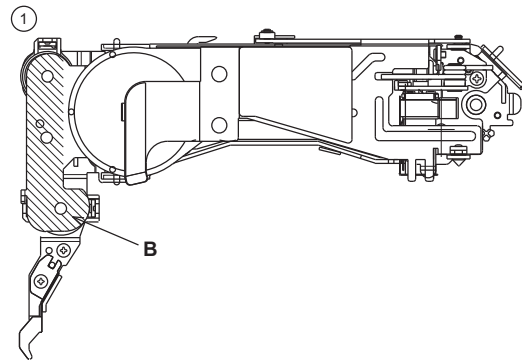
\* Do not reuse the following parts.  
(No.17,18,19,20)

NO.	PART NO.	DESCRIPTION	Q'TY	NO.	PART NO.	DESCRIPTION	Q'TY
1	HBS-604-100	N-DRIVE UNIT	1	11	716-3450-00	SCREW(M1.7x2.0)	6
2	HBS-567-200	LOADING-U-ASSY	1	12	716-3459-01	SCREW(M1.7x2.0)	1
3	HBS-556-100	LO-MOTOR-S-ASSY	1	13	750-6761-20	DRIVE SPRING A	1
4	HBS-552-200	L-SENSOR-S-ASSY	1	14	345-5868-01	RUBBER PART	1
4-1	-----	SENSOR-L-FPC	1	15	620-1651-21	S-PWB-PLATE	1
5	966-0676-21	D-SHT LK-A-ASSY	1	16	750-6754-20	LO-ES-SPRING B	1
6	966-1755-23	DRIVE-CH A ASSY	1	17	345-5424-01	SEN-FPC GUIDE	1
7	620-1681-21	DRIVE CHASSIS B	1	18	716-1859-01	SCREW(M1.7x2.0)	2
8	620-1672-21	DR-SUPPORT-PL	1	19	744-0039-00	E-RING	1
9	620-1680-20	D-SHIFT COVER	1	20	746-0870-00	WASHER	1
10	622-1743-21	D-SHIFT ROLLER B	1	21	716-3538-00	SCREW(M1.7x2.0)	1

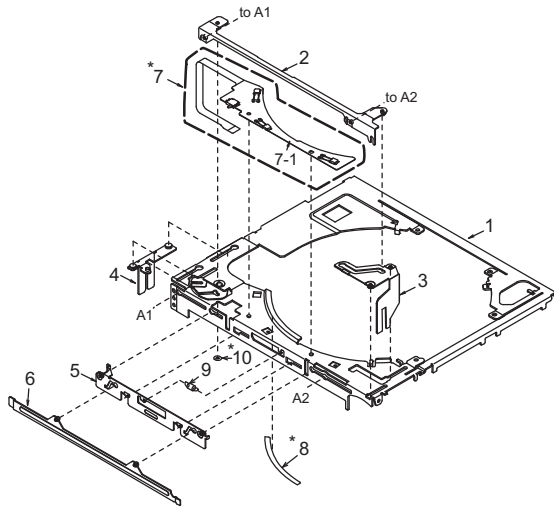
**[Grease Point]**

\* Grease A : SANKOL FG-87HSR  
 \* Grease B : SANKOL CFD-006MBL

	Put grease on the surface	
	Put grease on the reverse side	
	Put grease on the both sides	
	Put grease on the edge	



# Upper unit assy section



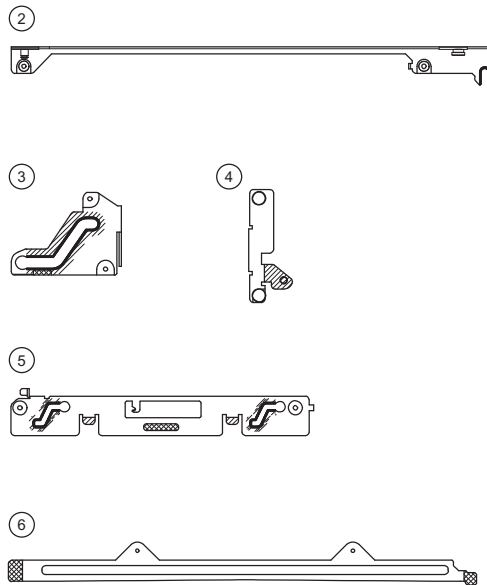
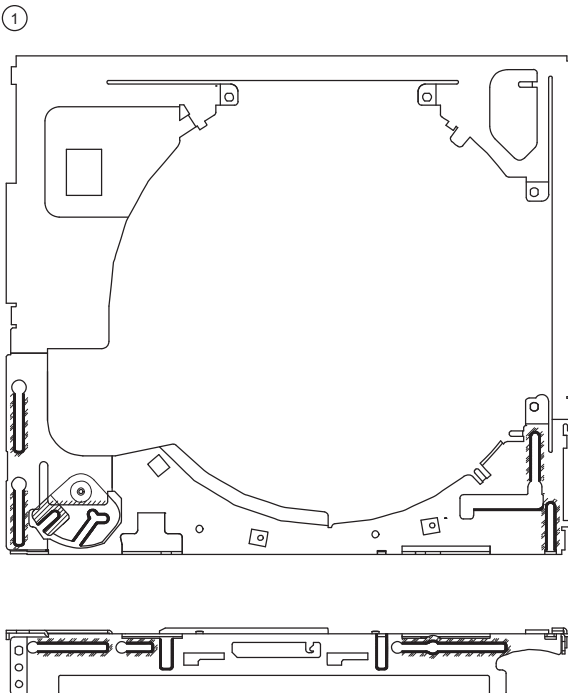
\* Do not reuse the following parts.  
(No.7,8,10)

NO.	PART NO.	DESCRIPTION	Q'TY
1	966-1761-22	UPPER-CHA-ASSY	1
2	966-1765-20	LO-SHIFT A ASSY	1
3	966-0700-22	LO-SHIFT B ASSY	1
4	966-0701-21	LO-SHIFT ASSY	1
5	966-1766-20	SHUTTER-PL-ASSY	1
6	966-1763-20	SHUTTER ASSY	1
7	HBS-553-200	U-SENSOR-S-ASSY	1
7-1	-----	SENSOR-U-FPC	1
8	347-7272-00	RATTLE SHEET	1
9	750-6755-21	SHUTTER SPRING	1
10	746-0870-00	WASHER	1

## [Grease Point]

\* Grease : SANKOL FG-87HSR

	Put grease on the surface	
	Put grease on the reverse side	
	Put grease on the both sides	
	Put grease on the edge	



# ELECTRICAL PARTS LIST

## CD PWB(BM1)

REF No.	PART No.	DESCRIPTION	REF No.	PART No.	DESCRIPTION	REF No.	PART No.	DESCRIPTION
C1	168-1052-78	1uF	C75	168-1042-78	16V 0.1uF	R17	119-1041-15	1/10W 100k ohm
C3	168-1042-78	16V 0.1uF	C76	168-5622-55	5600pF K	R18	119-1041-15	1/10W 100k ohm
C4	043-0559-90	6.3V 22uF	C77	168-1032-55	0.01uF K	R19	119-1041-15	1/10W 100k ohm
C5	168-1032-55	0.01uF K	C79	166-1501-50	15pF CH	R20	119-1041-15	1/10W 100k ohm
C6	042-1702-90	6.3V 100uF	C80	166-1501-50	15pF CH	R21	119-2221-15	1/10W 2.2k ohm
C7	168-1052-78	1uF	C101	043-0563-90	16V 47uF	R22	119-4711-15	1/10W 470 ohm
C9	168-1052-78	1uF	CCT1	050-0145-59	1/16W 22 ohm x4	R23	119-1051-15	1/10W 1M ohm
C11	168-1052-78	1uF	CCT2	050-0145-54	1/16W 47k ohm x4	R24	119-2211-15	1/10W 220 ohm
C12	042-0671-01	10V 47uF TA	CCT3	050-0145-54	1/16W 47k ohm x4	R25	119-2211-15	1/10W 220 ohm
C13	168-1052-78	1uF	CCT4	050-0145-55	1/16W 10k ohm x4	R26	119-1041-15	1/10W 100k ohm
C14	168-1042-78	16V 0.1uF	CCT5	050-0140-55	1/32W 2.2k ohmx4J	R27	119-1051-15	1/10W 1M ohm
C15	168-1052-78	1uF	D1	001-4301-14	HZU 3.0B1	R28	119-1041-15	1/10W 100k ohm
C16	043-0559-90	6.3V 22uF	D2	001-0367-91	1SS226	R29	119-1041-15	1/10W 100k ohm
C17	168-1032-55	0.01uF K	D3	001-4301-13	HZU 2.7B2	R30	119-4701-15	1/10W 47 ohm
C18	168-1052-78	1uF	D4	001-4301-18	HZU 3.6B1	R31	119-2201-15	1/10W 22 ohm
C19	043-0559-90	6.3V 22uF	D5	001-2612-90	RB520S-30	R32	119-1051-15	1/10W 1M ohm
C20	168-1042-78	16V 0.1uF	D6	001-2612-90	RB520S-30	R33	119-2211-15	1/10W 220 ohm
C21	168-1032-55	0.01uF K	D7	001-9210-50	AVR-	R35	119-1051-15	1/10W 1M ohm
C23	043-0559-90	6.3V 22uF			M1608C270MTAAD	R36	119-4721-15	1/10W 4.7k ohm
C24	043-0559-90	6.3V 22uF	D8	001-9210-50	AVR-	R37	119-4731-15	1/10W 47k ohm
C25	168-4732-78	0.047uF K			M1608C270MTAAD	R38	119-2231-15	1/10W 22k ohm
C26	166-4711-50	470pF CH	IC2	052-5071-30	TMP91CY22IFG-6R96	R39	119-1041-15	1/10W 100k ohm
C28	168-4732-78	0.047uF K				R40	119-4721-15	1/10W 4.7k ohm
C29	166-4711-50	470pF CH	IC3	051-6733-00	TC94A73MFG-201	R41	119-4731-15	1/10W 47k ohm
C30	166-1007-50	10pF CH	IC4	051-6060-08	BD7961FM-E2	R43	119-4731-15	1/10W 47k ohm
C31	166-1007-50	10pF CH	IC5	051-5445-08	BD5227G-TR	R44	119-2201-15	1/10W 22 ohm
C32	168-1042-78	16V 0.1uF	IC8	051-9402-78	BR93L56RFVM-W	R45	119-1511-15	1/10W 150 ohm
C33	168-2222-55	2200pF K	IC9	051-6072-08	BD7931FE2	R46	119-4721-15	1/10W 4.7k ohm
C34	168-1042-78	16V 0.1uF	IC10	051-5833-00	GP1S093HCZ	R48	119-1041-15	1/10W 100k ohm
C35	168-1042-78	16V 0.1uF	IC11	051-3392-90	S-1323B15NB-N8ATFG	R49	119-0000-05	1/10W 0 ohm JW
C36	168-1042-78	16V 0.1uF				R50	119-2211-15	1/10W 220 ohm
C37	168-6822-55	6800pF K	J1	074-1237-69	19PIN	R51	119-0000-05	1/10W 0 ohm JW
C39	168-1042-78	16V 0.1uF	J2	074-1201-65	15P	R52	119-1041-15	1/10W 100k ohm
C40	168-3332-78	0.033uF K	J3	074-1138-56	6P	R53	119-5621-15	1/10W 5.6k ohm
C41	168-1042-78	16V 0.1uF	J4	074-1100-61	SOCKET 11P	R55	119-3341-15	1/10W 330k ohm
C42	168-1042-78	16V 0.1uF	J5	074-1201-61	11P SOCKET	R56	119-4731-15	1/10W 47k ohm
C43	168-1042-78	16V 0.1uF	Q1	060-0252-01	PT4850F	R57	119-2231-15	1/10W 22k ohm
C45	168-1042-78	16V 0.1uF	Q2	125-0021-91	DTA114EUA	R58	119-0000-05	1/10W 0 ohm JW
C46	168-1042-78	16V 0.1uF	Q3	198-3018-00	2SK3018	R59	119-1511-15	1/10W 150 ohm
C48	168-1042-78	16V 0.1uF	Q4	190-2060-00	2SA2060	R60	119-4731-15	1/10W 47k ohm
C49	168-1042-78	16V 0.1uF	Q8	190-2060-00	2SA2060	R61	119-1041-15	1/10W 100k ohm
C50	168-1042-78	16V 0.1uF	Q9	125-9026-90	IMF29	R62	119-1041-15	1/10W 100k ohm
C51	168-1042-78	16V 0.1uF	Q10	125-2027-91	DTC114EUA	R63	119-1041-15	1/10W 100k ohm
C52	168-5622-55	5600pF K	Q11	125-0021-91	DTA114EUA	R64	119-1011-15	1/10W 100 ohm
C53	168-1042-78	16V 0.1uF	Q12	125-2027-91	DTC114EUA	R65	119-1041-15	1/10W 100k ohm
C54	166-6801-50	68pF CH	Q13	125-9026-90	IMF29	R66	117-5611-15	1/8W 560 ohm
C55	168-1532-55	0.015uF K	R1	119-6811-15	1/10W 680 ohm	R67	117-7511-15	1/8W 750 ohm
C56	168-1042-78	16V 0.1uF	R2	119-6811-15	1/10W 680 ohm	R68	117-7511-15	1/8W 750 ohm
C57	168-1032-55	0.01uF K	R3	032-0163-91	1/2W 10 ohm	R69	119-1041-15	1/10W 100k ohm
C58	168-1042-78	16V 0.1uF	R4	032-0163-91	1/2W 10 ohm	R81	116-1591-15	1/4W 1.5 ohm
C59	168-1042-78	16V 0.1uF	R5	119-2231-15	1/10W 22k ohm	R211	119-1041-15	1/10W 100k ohm
C60	168-1522-55	1500pF K	R6	116-1001-15	1/4W 10 ohm	R212	119-1041-15	1/10W 100k ohm
C61	168-3322-55	3300pF K	R7	119-1021-15	1/10W 1k ohm	S1	013-7416-50	SW SPVL110200
C62	168-1032-55	0.01uF K	R8	116-1591-15	1/4W 1.5 ohm	S2	013-7416-50	SW SPVL110200
C64	168-1042-78	16V 0.1uF	R9	119-2231-15	1/10W 22k ohm	S3	013-7416-50	SW SPVL110200
C65	168-1032-55	0.01uF K	R10	119-4711-15	1/10W 470 ohm	S4	013-7415-50	SPVG110400
C67	168-1032-55	0.01uF K	R11	119-2211-15	1/10W 220 ohm	X1	061-3534-90	16.92MHz
C69	168-1532-55	0.015uF K	R12	119-6811-15	1/10W 680 ohm	X3	060-1545-90	20MHz
C70	166-4701-50	47pF CH	R13	119-1011-15	1/10W 100 ohm	PWB	039-3083-21	PWB(WITHOUT COMPONENT)
C71	168-1042-78	16V 0.1uF	R14	119-2231-15	1/10W 22k ohm			
C72	168-1042-78	16V 0.1uF	R15	119-8231-15	1/10W 82k ohm			
C74	166-6097-50	6pF CH	R16	119-1041-15	1/10W 100k ohm			

## Sensor-L-PFC(BM2) section

REF No.	PART No.	DESCRIPTION	REF No.	PART No.	DESCRIPTION	REF No.	PART No.	DESCRIPTION
PT1	060-0252-01	PT14850F	PT3	051-5833-00	GP1S093HCZ	PWB	039-2467-21	PWB(WITHOUT COMPONENTS)
PT2	060-0252-01	PT14850F						

## Sensor-U-PFC(BM3) section

REF No.	PART No.	DESCRIPTION	REF No.	PART No.	DESCRIPTION	REF No.	PART No.	DESCRIPTION
LED1	001-7077-00	GL4804	LED3	001-7077-00	GL4804	PWB	039-2466-20	PWB(WITHOUT COMPONENTS)
LED2	001-7077-00	GL4804	S5	013-7417-50	ABC1122P161			