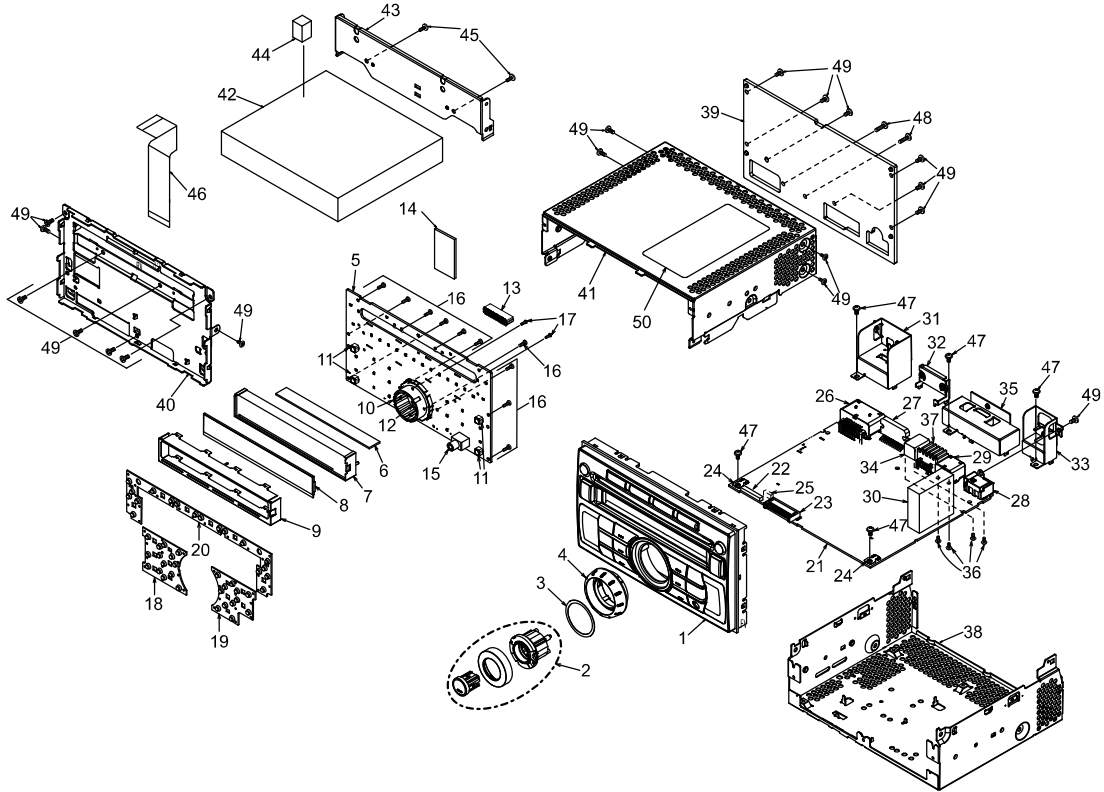


EXPLODED VIEW/PARTS LIST

Main section



NO.	PART NO.	DESCRIPTION	Q'TY	NO.	PART NO.	DESCRIPTION	Q'TY
1	940-8592-20	ES-ASSY	1	26	074-4009-20	SOCKET (20P)	1
2	947-0591-10	KNOB ASSY	1	27	051-2067-00	IC (TB2946HQ)	1
3	347-7959-00	SHADE	1	28	092-2210-01	ANT-RECEPT	1
4	380-5655-00	KNOB	1	29	074-1302-16	SOCKET (16P)	1
5	-----	Switch PWB	1	30	880-2091L	AM/FM TUNER	1
6	345-6311-01	RUBBER CONNECT	1	31	331-4679-00	SOCKET HOLDER	1
7	335-8365-00	LCD-HOLDER	1	32	331-4678-00	IC-HOLDER	1
8	379-1434-50	INDICATOR (LCD)	1	33	331-4676-00	ANT-HOLDER	1
9	331-4675-01	LCD COVER	1	34	074-1302-08	SOCKET (8P)	1
10	016-7004-00	ROTARY SWITCH	1	35	331-4677-00	SHIELD CASE	1
11	013-6202-52	TACT SWITCH	4	36	778-3006-00	SPECIAL SCREW (M3x6)	4
12	013-6201-53	SWITCH	1	37	-----	SOCKET: 12P (No used)	1
13	074-3033-26	SOCKET (26P)	1	38	311-1969-00	LOWER CASE	1
14	345-8090-00	CUSHION RUBBER	1	39	313-2070-20	HEAT SINK	1
15	075-0395-01	JACK	1	40	309-1885-00	ES-PLATE (1CD)	1
16	716-0778-52	WAVE SCREW (2x6)	10	41	310-1889-00	UPPER CASE	1
17	716-0872-51	SCREW (M1.7x5)	2	42	929-5039-80	CD-MECH-MODULE	1
18	345-6308-00	RUBBER SW (LH)	1	43	331-4123-00	CD BRKT	1
19	345-6309-00	RUBBER SW (RH)	1	44	-----	GASKET (No used)	1
20	345-6310-00	RUBBER SW (UP)	1	45	714-2603-89	MACHINE SCREW (M2.6x3)	2
21	-----	Main PWB	1	46	816-3072-51	FLAT WIRE	1
22	074-1189-88	SOCKET (38P)	1	47	716-0878-50	SCREW (M2.6x5)	5
23	076-3011-76	PLUG (26P)	1	48	735-2614-1B	D-SEMS SCREW (M2.6x5)	2
24	073-0762-90	TERMINAL	2	49	714-2606-8B	MACHINE SCREW (M2.6x6)	18
25	-----	PLUG (9P) (No used)	1	50	276-0066-26	SETPLATE	1

ELECTRICAL PARTS LIST

Main PWB(B1) section

REF No.	PART No.	DESCRIPTION	REF No.	PART No.	DESCRIPTION	REF No.	PART No.	DESCRIPTION
ANT101	092-2210-01	ANT-RECEPT	C216	-----	(UNUSED)	C342	168-1022-55	1000pF K
BL101	880-2901L	TUNER PACK	C217	-----	(UNUSED)	C343	168-4712-55	470pF K
C101	168-2222-55	2200pF K	C218	-----	(UNUSED)	C344	168-1042-78	16V 0.1uF K
C102	-----	(UNUSED)	C219	168-3332-78	0.033uF K	C345	168-1022-55	1000pF K
C103	-----	(UNUSED)	C220	168-3332-78	0.033uF K	C347	168-3322-55	3300pF K
C104	119-0000-05	1/10W 0 ohm JW	C221	168-4722-55	4700pF K	C348	168-3322-55	3300pF K
C105	-----	(UNUSED)	C222	168-4722-55	4700pF K	C349	168-3322-55	3300pF K
C106	-----	(UNUSED)	C223	-----	(UNUSED)	C350	168-3322-55	3300pF K
C107	-----	(UNUSED)	C224	168-1042-78	16V 0.1uF K	C351	168-3322-55	3300pF K
C109	-----	(UNUSED)	C225	-----	(UNUSED)	C352	168-3322-55	3300pF K
C110	-----	(UNUSED)	C227	043-0552-90	6.3V 47uF M	C353	-----	(UNUSED)
C111	-----	(UNUSED)	C228	-----	(UNUSED)	C354	043-0554-90	25V 10uF
C112	043-0319-51	200pF J CH	C229	-----	(UNUSED)	C355	042-1736-90	16V 470uF M
C113	166-2201-50	22pF CH	C230	168-2242-58	0.22uF K	C356	168-4722-55	4700pF K
C114	-----	(UNUSED)	C231	168-3342-58	0.33uF K	C357	163-1073-15	6.3V 100uF
C115	-----	(UNUSED)	C232	043-0554-90	25V 10uF	C358	168-2222-55	2200pF K
C116	-----	(UNUSED)	C233	-----	(UNUSED)	C359	043-0570-90	16V 2.2uF K
C117	-----	(UNUSED)	C234	-----	(UNUSED)	C360	043-0570-90	16V 2.2uF K
C118	168-1022-55	1000pF K	C235	-----	(UNUSED)	C361	166-2201-50	22pF CH
C119	-----	(UNUSED)	C237	-----	(UNUSED)	C362	168-2222-55	2200pF K
C120	-----	(UNUSED)	C238	163-1063-35	16V 10uF	C363	166-2201-50	22pF CH
C121	163-1073-35	16V 100uF	C239	-----	(UNUSED)	C364	166-2201-50	22pF CH
C122	-----	(UNUSED)	C240	-----	(UNUSED)	C365	168-2222-55	2200pF K
C123	-----	(UNUSED)	C241	-----	(UNUSED)	C366	166-2201-50	22pF CH
C124	168-2222-55	2200pF K	C242	-----	(UNUSED)	C367	168-2222-55	2200pF K
C125	-----	(UNUSED)	C243	-----	(UNUSED)	C368	166-2201-50	22pF CH
C126	-----	(UNUSED)	C244	-----	(UNUSED)	C369	166-2201-50	22pF CH
C127	168-1022-55	1000pF K	C245	168-2222-55	2200pF K	C370	043-0570-90	16V 2.2uF K
C128	-----	(UNUSED)	C257	168-5622-55	5600pF K	C371	043-0570-90	16V 2.2uF K
C129	168-1022-55	1000pF K	C258	168-5622-55	5600pF K	C372	043-0570-90	16V 2.2uF K
C130	-----	(UNUSED)	C259	168-2222-55	2200pF K	C373	043-0570-90	16V 2.2uF K
C131	-----	(UNUSED)	C301	163-4753-65	50V 4.7uF	C401	168-1042-78	16V 0.1uF K
C132	168-1022-55	1000pF K	C302	168-1042-78	16V 0.1uF K	C402	168-1042-78	16V 0.1uF K
C133	-----	(UNUSED)	C303	166-1811-50	180pF CH	C403	166-2201-50	22pF CH
C134	-----	(UNUSED)	C304	168-1042-78	16V 0.1uF K	C404	166-2201-50	22pF CH
C135	168-1022-55	1000pF K	C305	168-1042-78	16V 0.1uF K	C405	168-4722-55	4700pF K
C136	163-1073-35	16V 100uF	C306	166-8097-50	8pF +/-0.5pF CH	C406	168-2242-58	0.22uF K
C137	-----	(UNUSED)	C307	166-8097-50	8pF +/-0.5pF CH	C407	-----	(UNUSED)
C138	-----	(UNUSED)	C308	168-1022-55	1000pF K	C408	166-1801-50	18pF CH
C139	-----	(UNUSED)	C309	163-4753-65	50V 4.7uF	C409	168-1042-78	16V 0.1uF K
C140	-----	(UNUSED)	C310	168-1042-78	16V 0.1uF K	C410	163-4763-15	6.3V 47uF
C141	-----	(UNUSED)	C311	163-4753-65	50V 4.7uF	C411	168-1042-78	16V 0.1uF K
C142	-----	(UNUSED)	C312	168-1042-78	16V 0.1uF K	C412	168-1032-55	0.01uF K
C143	-----	(UNUSED)	C313	168-1022-55	1000pF K	C413	-----	(UNUSED)
C144	-----	(UNUSED)	C314	168-1022-55	1000pF K	C414	168-2242-58	0.22uF K
C145	168-6822-55	6800pF K	C315	166-1011-50	100pF CH	C415	168-2242-58	0.22uF K
C146	163-3363-25	10V 33uF	C316	168-1042-78	16V 0.1uF K	C416	168-2242-58	0.22uF K
C147	163-3363-25	10V 33uF	C317	168-5622-55	5600pF K	C417	168-2242-58	0.22uF K
C148	166-5601-50	56pF CH	C318	168-5622-55	5600pF K	C418	168-2242-58	0.22uF K
C149	-----	(UNUSED)	C319	166-1011-50	100pF CH	C419	168-1022-55	1000pF K
C150	166-2201-50	22pF CH	C320	166-1011-50	100pF CH	C420	-----	(UNUSED)
C151	166-5601-50	56pF CH	C321	-----	(UNUSED)	C501	168-1042-78	16V 0.1uF K
C152	163-1063-35	16V 10uF	C322	168-1022-55	1000pF K	C502	168-1042-78	16V 0.1uF K
C153	166-2201-50	22pF CH	C323	168-1022-55	1000pF K	C503	168-1042-78	16V 0.1uF K
C154	163-1063-35	16V 10uF	C324	163-2273-05	4V 220uF	C504	168-1042-78	16V 0.1uF K
C155	043-0570-90	16V 2.2uF K	C325	168-2222-55	2200pF K	C505	-----	(UNUSED)
C156	168-1042-78	16V 0.1uF K	C326	166-4711-50	470pF CH	C506	166-5611-50	560pF CH
C157	168-1022-55	1000pF K	C327	163-2263-35	16V 22uF	C507	166-5611-50	560pF CH
C203	168-1042-78	16V 0.1uF K	C328	163-4763-15	6.3V 47uF	C508	-----	(UNUSED)
C204	163-3363-25	10V 33uF	C330	166-1011-50	100pF CH	C509	166-5611-50	560pF CH
C205	043-0570-90	16V 2.2uF K	C331	168-1042-78	16V 0.1uF K	C510	166-5611-50	560pF CH
C206	043-0570-90	16V 2.2uF K	C332	166-1011-50	100pF CH	C511	166-2201-50	22pF CH
C207	043-0570-90	16V 2.2uF K	C333	168-1022-55	1000pF K	C512	166-2201-50	22pF CH
C208	043-0570-90	16V 2.2uF K	C334	168-1022-55	1000pF K	C513	166-2201-50	22pF CH
C209	-----	(UNUSED)	C335	163-1063-35	16V 10uF	C514	166-2201-50	22pF CH
C210	-----	(UNUSED)	C336	168-1052-78	16V 1uF K	C515	168-1052-78	16V 1uF K
C211	-----	(UNUSED)	C337	168-3332-78	0.033uF K	C516	163-1073-35	16V 100uF
C212	-----	(UNUSED)	C338	168-1022-55	1000pF K	C518	166-5611-50	560pF CH
C213	-----	(UNUSED)	C339	-----	(UNUSED)	C519	166-5611-50	560pF CH
C214	-----	(UNUSED)	C340	168-1022-55	1000pF K	C520	168-3342-58	0.33uF K
C215	-----	(UNUSED)	C341	166-1011-50	100pF CH	C521	166-5611-50	560pF CH

REF No.	PART No.	DESCRIPTION	REF No.	PART No.	DESCRIPTION	REF No.	PART No.	DESCRIPTION
C522	166-5611-50	560pF CH	D120	-----	(UNUSED)	IC403	-----	M30876FJAGP
C523	168-1042-78	16V 0.1uF K	D121	-----	(UNUSED)			VIRGIN-TYP
C524	168-2242-58	0.22uF K	D122	-----	(UNUSED)			(031510-052)
C525	043-0552-90	6.3V 47uF M	D123	-----	(UNUSED)			(U-COM:Flash)
C526	043-0566-90	50V 2.2uF K	D202	-----	(UNUSED)	IC404	051-6607-08	PCA82C250T-T
C527	043-0604-90	25V 10uF B	D203	-----	(UNUSED)	IC405	051-5417-08	S-80927CNMC-B8M
C528	-----	(UNUSED)	D204	-----	(UNUSED)	IC501	-----	(UNUSED)
C529	168-4742-78	0.47uF K	D205	-----	(UNUSED)	IC502	051-3019-90	NJM2060V
C530	168-1042-38	50V 0.1uF K	D206	-----	(UNUSED)	IC503	051-3551-90	NJM2878F3-33-TE1
C531	163-1073-35	16V 100uF	D207	-----	(UNUSED)	IC504	051-3396-90	NJM2386ADL3-33-TE1
C532	168-1542-58	0.15uF K	D208	001-0580-90	1SS352			
C533	168-1542-58	0.15uF K	D209	-----	(UNUSED)	IC505	051-3517-90	LT3481EMSE
C534	168-1542-58	0.15uF K	D210	001-4313-53	HZU9B1L TRF-E			#TRPBF
C535	168-1542-58	0.15uF K	D211	-----	(UNUSED)	IC506	051-2067-00	TB2946HQ
C536	168-1042-78	16V 0.1uF K	D212	-----	(UNUSED)	IC507	051-3034-90	NJM4558V
C537	168-1052-78	16V 1uF K	D213	-----	(UNUSED)	IC508	051-5441-08	BD4828G-TR
C540	042-1760-90	16V 10uF M	D214	-----	(UNUSED)	J101	074-1302-16	16P
C541	178-2742-78	0.27uF	D215	-----	(UNUSED)	J202	074-1189-88	38P
C542	168-1052-78	16V 1uF K	D216	-----	(UNUSED)	J204	074-1302-08	8P
C543	163-4763-35	16V 47uF	D217	-----	(UNUSED)	J206	074-1013-00	12P
C544	163-2273-25	10V 220uF	D218	-----	(UNUSED)	J501	-----	(UNUSED)
C545	168-2212-55	220pF K	D219	-----	(UNUSED)	J502	074-4009-20	20P
C546	166-2201-50	22pF CH	D220	-----	(UNUSED)	L101	-----	(UNUSED)
C547	-----	(UNUSED)	D221	-----	(UNUSED)	L102	-----	(UNUSED)
C548	163-4763-35	16V 47uF	D222	-----	(UNUSED)	L103	-----	(UNUSED)
C549	042-1465-00	16V 3300uF	D223	-----	(UNUSED)	L104	-----	(UNUSED)
C550	172-1041-15	0.1uF	D224	-----	(UNUSED)	L105	010-2003-04	30uH
C551	163-4763-35	16V 47uF	D231	001-9210-50	AVR- M1608C270MTAAD	L106	010-4011-20	2.5mH +3/-3%
C552	163-4763-35	16V 47uF				L107	-----	(UNUSED)
C553	-----	(UNUSED)	D232	001-9210-50	AVR- M1608C270MTAAD	L108	-----	(UNUSED)
C554	168-6822-55	6800pF K				L201	010-3104-54	600 ohm/100MHz
C555	168-6822-55	6800pF K	D233	001-9210-50	AVR- M1608C270MTAAD	L202	-----	(UNUSED)
C556	168-6822-55	6800pF K				L301	010-3104-54	600 ohm/100MHz
C557	168-6822-55	6800pF K	D234	001-9210-50	AVR- M1608C270MTAAD	L302	010-3104-54	600 ohm/100MHz
C558	168-6822-55	6800pF K				L303	010-3104-54	600 ohm/100MHz
C559	168-6822-55	6800pF K	D401	001-2630-90	1SS420-TPL3,F	L304	010-3104-54	600 ohm/100MHz
C560	168-6822-55	6800pF K	D501	001-2640-90	D1FJ4	L305	010-3104-54	600 ohm/100MHz
C561	168-6822-55	6800pF K	D502	001-0529-48	MA8091-H	L306	010-3104-54	600 ohm/100MHz
C562	168-6822-55	6800pF K	D503	-----	(UNUSED)	L307	010-3104-54	600 ohm/100MHz
C563	043-0574-90	25V 1.0uF	D504	001-0529-48	MA8091-H	L308	010-3104-54	600 ohm/100MHz
C564	168-1042-78	16V 0.1uF K	D505	-----	(UNUSED)	L309	010-3104-54	600 ohm/100MHz
C565	163-1063-35	16V 10uF	D506	001-2015-00	RL253	L310	010-3104-54	600 ohm/100MHz
C566	168-2232-55	0.022uF K	D507	001-0580-90	1SS352	L311	010-3104-54	600 ohm/100MHz
C567	042-4000-90	16V 470uF	D508	001-0580-90	1SS352	L312	010-3104-54	600 ohm/100MHz
C568	168-1522-55	1500pF K	D510	001-0529-48	MA8091-H	L313	010-3104-54	600 ohm/100MHz
C569	166-2201-50	22pF CH	D511	001-4320-50	EDZC6.8B	L401	010-3601-50	600 ohm/100MHz
C570	178-2242-38	0.22uF B	D512	001-0580-90	1SS352	L402	010-3406-54	2.2uH J
C571	168-1542-58	0.15uF K	D513	001-4320-50	EDZC6.8B	L501	010-3104-54	600 ohm/100MHz
C572	168-1542-58	0.15uF K	D514	001-4320-50	EDZC6.8B	L502	010-3414-92	2.2uH
C573	168-1542-58	0.15uF K	D515	001-0529-34	MA8062-L	L504	010-8048-00	240uH
C574	168-1542-58	0.15uF K	D516	001-0580-90	1SS352	P101	-----	(UNUSED)
C575	-----	(UNUSED)	D517	001-0529-47	MA8091-M	P402	076-3011-76	26P
C576	168-1022-55	1000pF K	D532	-----	(UNUSED)	P403	076-6000-59	9P
CCT402	050-0140-54	1/32W 1k ohm x4J	D536	001-2412-90	RR264M-400	Q101	-----	(UNUSED)
CCT403	050-0145-52	1/16W 1k ohm x4	D537	-----	(UNUSED)	Q102	-----	(UNUSED)
CCT404	050-0145-52	1/16W 1k ohm x4	D538	001-2412-90	RR264M-400	Q103	-----	(UNUSED)
D101	-----	(UNUSED)	IC101	-----	(UNUSED)	Q105	198-3018-00	2SK3018
D102	-----	(UNUSED)	IC102	-----	(UNUSED)	Q106	198-3018-00	2SK3018
D103	-----	(UNUSED)	IC103	-----	(UNUSED)	Q107	192-5886-00	2SC5886
D104	001-0580-90	1SS352	IC104	051-3020-90	NJM4565V	Q108	125-2027-90	DTC143EUA
D105	001-2412-90	RR264M-400	IC201	-----	(UNUSED)	Q109	190-2060-00	2SA2060
D106	001-0529-48	MA8091-H	IC202	051-3552-90	NJU7741F15	Q201	-----	(UNUSED)
D107	001-0580-90	1SS352	IC203	051-3518-90	NJM284DL3-33-TE1	Q202	-----	(UNUSED)
D108	001-9210-50	AVR- M1608C270MTAAD	IC205	-----	(UNUSED)	Q203	-----	(UNUSED)
			IC301	-----	SAF7730HV/N332 (670650-051) (DSP:Center pad type)	Q204	-----	(UNUSED)
D109	001-9210-50	AVR- M1608C270MTAAD				Q205	-----	(UNUSED)
D110	001-4320-50	EDZC6.8B	IC302	051-3034-90	NJM4558V	Q206	-----	(UNUSED)
D114	001-9210-50	AVR- M1608C270MTAAD	IC401	-----	S-24CS16A01-T8T1G (942690-051) (E2PROM)	Q207	-----	(UNUSED)
D115	001-9210-50	AVR- M1608C270MTAAD	IC402	-----	(UNUSED)	Q208	-----	(UNUSED)
D116	001-4320-50	EDZC6.8B				Q209	-----	(UNUSED)
D117	001-4320-50	EDZC6.8B				Q210	125-0006-90	UNR2110
						Q211	125-2027-91	DTC114EUA
						Q214	193-1259-50	2SD1259DS R,Q
						Q215	-----	(UNUSED)

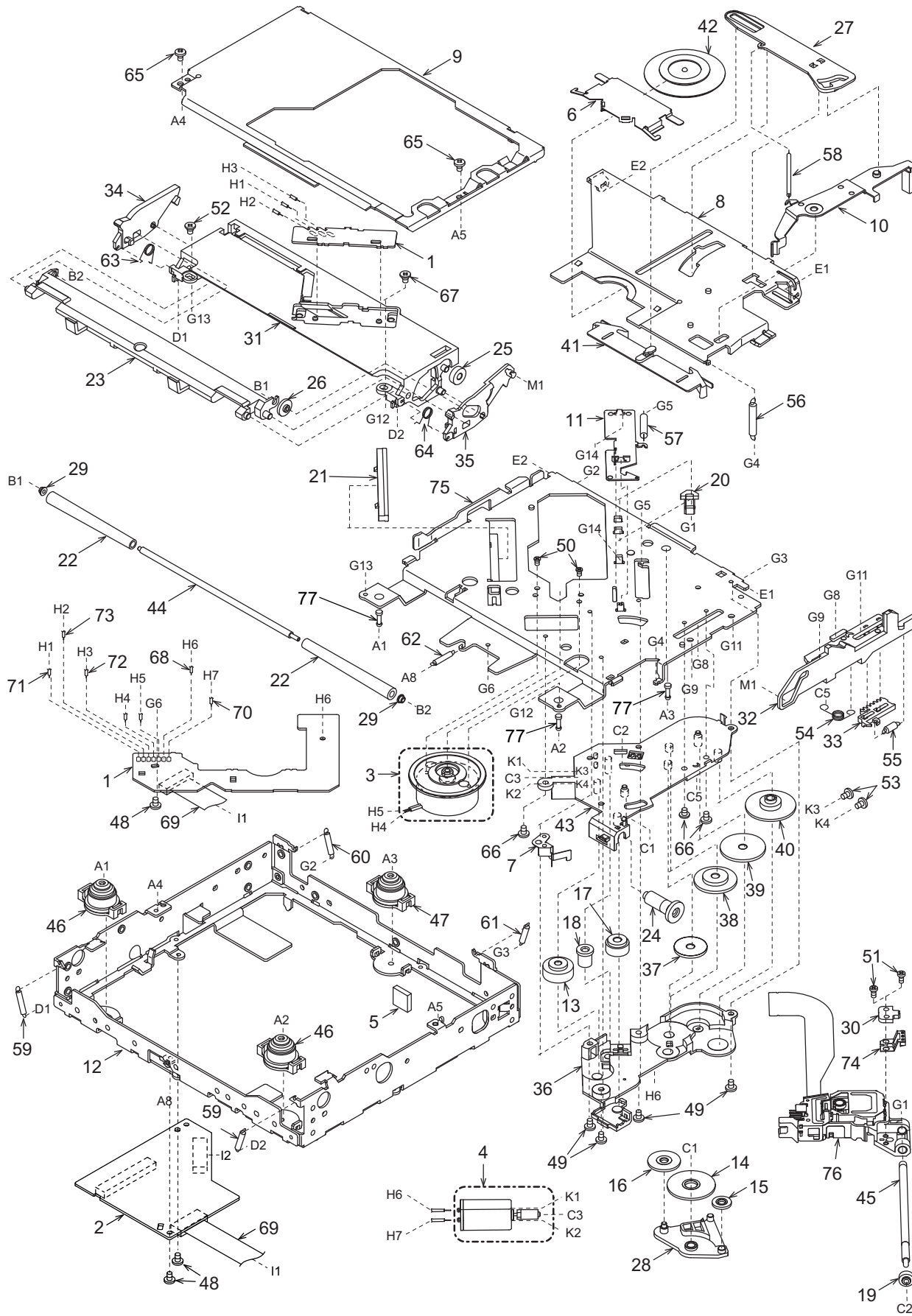
REF No.	PART No.	DESCRIPTION	REF No.	PART No.	DESCRIPTION	REF No.	PART No.	DESCRIPTION
Q216	-----	(UNUSED)	R134	-----	(UNUSED)	R231	-----	(UNUSED)
Q217	-----	(UNUSED)	R135	119-1011-15	1/10W 100 ohm	R232	032-0140-89	1/10W 47k ohm F
Q218	-----	(UNUSED)	R136	-----	(UNUSED)	R233	032-0140-89	1/10W 47k ohm F
Q219	-----	(UNUSED)	R137	-----	(UNUSED)	R234	-----	(UNUSED)
Q220	-----	(UNUSED)	R138	-----	(UNUSED)	R235	-----	(UNUSED)
Q221	-----	(UNUSED)	R139	-----	(UNUSED)	R236	-----	(UNUSED)
Q222	-----	(UNUSED)	R140	-----	(UNUSED)	R237	-----	(UNUSED)
Q301	125-7007-90	Si5441BDC-TI-E3	R141	119-1011-15	1/10W 100 ohm	R238	-----	(UNUSED)
Q302	125-2027-91	DTC114EUA	R142	-----	(UNUSED)	R239	119-1031-15	1/10W 10k ohm
Q401	198-3018-00	2SK3018	R143	119-1011-15	1/10W 100 ohm	R240	119-6821-15	1/10W 6.8k ohm
Q402	198-3018-00	2SK3018	R144	-----	(UNUSED)	R241	119-4731-15	1/10W 47k ohm
Q403	-----	(UNUSED)	R145	-----	(UNUSED)	R243	-----	(UNUSED)
Q404	-----	(UNUSED)	R146	116-6891-15	1/4W 6.8 ohm	R244	-----	(UNUSED)
Q405	-----	(UNUSED)	R147	-----	(UNUSED)	R247	116-3911-15	1/4W 390 ohm
Q406	-----	(UNUSED)	R148	-----	(UNUSED)	R248	116-3911-15	1/4W 390 ohm
Q407	125-2027-91	DTC114EUA	R149	-----	(UNUSED)	R249	119-1041-15	1/10W 100k ohm
Q408	198-3018-00	2SK3018	R150	119-3321-15	1/10W 3.3k ohm	R250	-----	(UNUSED)
Q409	125-2027-91	DTC114EUA	R151	-----	(UNUSED)	R251	-----	(UNUSED)
Q410	198-3018-00	2SK3018	R152	-----	(UNUSED)	R252	-----	(UNUSED)
Q411	125-2027-91	DTC114EUA	R153	-----	(UNUSED)	R253	-----	(UNUSED)
Q501	125-9015-92	RN4902	R154	119-3321-15	1/10W 3.3k ohm	R254	-----	(UNUSED)
Q502	-----	(UNUSED)	R155	119-3321-15	1/10W 3.3k ohm	R255	-----	(UNUSED)
Q503	-----	(UNUSED)	R156	-----	(UNUSED)	R256	-----	(UNUSED)
Q504	125-2027-91	DTC114EUA	R157	-----	(UNUSED)	R257	-----	(UNUSED)
Q505	191-1197-50	2SB1197K Q,R	R158	-----	(UNUSED)	R258	119-1011-15	1/10W 100 ohm
Q506	192-5886-00	2SC5886	R159	-----	(UNUSED)	R259	119-1021-15	1/10W 1k ohm
Q508	125-2027-91	DTC114EUA	R160	-----	(UNUSED)	R260	119-1021-15	1/10W 1k ohm
Q509	-----	(UNUSED)	R161	119-0000-05	1/10W 0 ohm JW	R261	-----	(UNUSED)
Q510	-----	(UNUSED)	R162	119-3321-15	1/10W 3.3k ohm	R301	119-1031-15	1/10W 10k ohm
Q511	192-5810-00	2SC5810 TE12L	R163	-----	(UNUSED)	R302	119-1031-15	1/10W 10k ohm
Q512	125-2027-91	DTC114EUA	R164	-----	(UNUSED)	R303	119-2201-15	1/10W 22 ohm
Q513	191-1197-50	2SB1197K Q,R	R165	-----	(UNUSED)	R304	-----	(UNUSED)
Q514	192-4116-51	2SC4116 G,L	R166	-----	(UNUSED)	R305	-----	(UNUSED)
Q515	191-1204-61	2SB1204 R,S,T	R167	119-2231-15	1/10W 22k ohm	R306	-----	(UNUSED)
Q516	125-2027-91	DTC114EUA	R168	119-1001-15	1/10W 10 ohm	R307	-----	(UNUSED)
Q517	191-1197-50	2SB1197K Q,R	R169	119-2231-15	1/10W 22k ohm	R308	119-1031-15	1/10W 10k ohm
Q518	192-4081-00	2SC4081	R170	116-1091-15	1/4W 1 ohm	R309	119-1011-15	1/10W 10k ohm
Q519	192-4116-00	2SC4116	R172	119-1031-15	1/10W 10k ohm	R310	119-1021-15	1/10W 1k ohm
Q520	125-2027-91	DTC114EUA	R173	116-1221-15	1/4W 1.2k ohm	R311	032-0140-50	1/10W 10k ohm F
Q521	192-4116-51	2SC4116 G,L	R174	116-3911-15	1/4W 390 ohm	R312	119-3921-15	1/10W 3.9k ohm
Q522	-----	(UNUSED)	R175	119-2231-15	1/10W 22k ohm	R313	032-0140-50	1/10W 10k ohm F
Q523	-----	(UNUSED)	R176	119-1031-15	1/10W 10k ohm	R314	119-3921-15	1/10W 3.9k ohm
R101	-----	(UNUSED)	R177	119-4731-15	1/10W 47k ohm	R315	032-0140-50	1/10W 10k ohm F
R102	-----	(UNUSED)	R178	119-1001-15	1/10W 10 ohm	R316	119-0000-05	1/10W 0 ohm JW
R103	-----	(UNUSED)	R179	119-3321-15	1/10W 3.3k ohm	R317	032-0140-50	1/10W 10k ohm F
R104	-----	(UNUSED)	R180	119-0000-05	1/10W 0 ohm JW	R318	119-1041-15	1/10W 100k ohm
R105	-----	(UNUSED)	R181	-----	(UNUSED)	R319	119-1041-15	1/10W 100k ohm
R106	-----	(UNUSED)	R201	032-0140-89	1/10W 47k ohm F	R320	119-1001-15	1/10W 10 ohm
R107	-----	(UNUSED)	R202	032-0140-89	1/10W 47k ohm F	R321	119-3921-15	1/10W 3.9k ohm
R108	-----	(UNUSED)	R203	032-0140-89	1/10W 47k ohm F	R322	119-0000-05	1/10W 0 ohm JW
R109	119-0000-05	1/10W 0 ohm JW	R204	032-0140-89	1/10W 47k ohm F	R323	119-1021-15	1/10W 1k ohm
R110	-----	(UNUSED)	R205	119-3331-15	1/10W 33k ohm	R324	119-3921-15	1/10W 3.9k ohm
R111	-----	(UNUSED)	R206	119-3331-15	1/10W 33k ohm	R325	119-0000-05	1/10W 0 ohm JW
R112	-----	(UNUSED)	R207	-----	(UNUSED)	R326	-----	(UNUSED)
R113	-----	(UNUSED)	R210	-----	(UNUSED)	R327	119-1031-15	1/10W 10k ohm
R114	-----	(UNUSED)	R211	-----	(UNUSED)	R328	-----	(UNUSED)
R115	-----	(UNUSED)	R212	-----	(UNUSED)	R329	119-1031-15	1/10W 10k ohm
R116	-----	(UNUSED)	R214	-----	(UNUSED)	R330	-----	(UNUSED)
R117	-----	(UNUSED)	R215	-----	(UNUSED)	R331	119-1031-15	1/10W 10k ohm
R118	-----	(UNUSED)	R216	-----	(UNUSED)	R332	119-1031-15	1/10W 10k ohm
R119	-----	(UNUSED)	R217	-----	(UNUSED)	R333	032-0140-50	1/10W 10k ohm F
R120	-----	(UNUSED)	R218	-----	(UNUSED)	R334	032-0140-50	1/10W 10k ohm F
R121	-----	(UNUSED)	R219	-----	(UNUSED)	R335	119-1031-15	1/10W 10k ohm
R122	-----	(UNUSED)	R220	-----	(UNUSED)	R336	119-1031-15	1/10W 10k ohm
R123	-----	(UNUSED)	R221	-----	(UNUSED)	R337	119-1031-15	1/10W 10k ohm
R124	-----	(UNUSED)	R222	119-3011-15	1/10W 300 ohm	R338	119-1031-15	1/10W 10k ohm
R125	119-0000-05	1/10W 0 ohm JW	R223	-----	(UNUSED)	R339	119-1011-15	1/10W 100 ohm
R126	-----	(UNUSED)	R224	-----	(UNUSED)	R340	119-1011-15	1/10W 100 ohm
R127	-----	(UNUSED)	R225	-----	(UNUSED)	R341	119-0000-05	1/10W 0 ohm JW
R128	-----	(UNUSED)	R226	-----	(UNUSED)	R342	119-0000-05	1/10W 0 ohm JW
R129	166-1511-50	150pF CH	R227	-----	(UNUSED)	R343	119-0000-05	1/10W 0 ohm JW
R131	-----	(UNUSED)	R228	-----	(UNUSED)	R344	119-0000-05	1/10W 0 ohm JW
R132	-----	(UNUSED)	R229	-----	(UNUSED)	R345	119-0000-05	1/10W 0 ohm JW
R133	-----	(UNUSED)	R230	-----	(UNUSED)	R346	119-0000-05	1/10W 0 ohm JW

REF No.	PART No.	DESCRIPTION	REF No.	PART No.	DESCRIPTION	REF No.	PART No.	DESCRIPTION
R347	119-1031-15	1/10W 10k ohm	R451	119-3321-15	1/10W 3.3k ohm	R525	119-0000-05	1/10W 0 ohm JW
R348	119-0000-05	1/10W 0 ohm JW	R452	119-4731-15	1/10W 47k ohm	R526	-----	(UNUSED)
R349	119-4731-15	1/10W 47k ohm	R453	119-1031-15	1/10W 10k ohm	R527	032-0148-63	1/10W 130k ohm D
R350	119-0000-05	1/10W 0 ohm JW	R454	119-4731-15	1/10W 47k ohm	R528	032-0148-64	1/10W 390k ohm D
R351	119-1021-15	1/10W 1k ohm	R455	119-3321-15	1/10W 3.3k ohm	R529	-----	(UNUSED)
R352	119-1021-15	1/10W 1k ohm	R456	119-1021-15	1/10W 1k ohm	R530	119-1031-15	1/10W 10k ohm
R353	119-1021-15	1/10W 1k ohm	R457	119-3321-15	1/10W 3.3k ohm	R532	119-1031-15	1/10W 10k ohm
R354	119-1021-15	1/10W 1k ohm	R458	119-1021-15	1/10W 1k ohm	R533	119-1841-15	1/10W 180k ohm
R356	119-1001-15	1/10W 10 ohm	R459	119-4731-15	1/10W 47k ohm	R534	119-1031-15	1/10W 10k ohm
R357	032-0140-15	1/10W 6.8k ohm F	R460	119-4731-15	1/10W 47k ohm	R535	116-6811-15	1/4W 680 ohm
R358	032-0140-15	1/10W 6.8k ohm F	R461	119-0000-05	1/10W 0 ohm JW	R536	119-1031-15	1/10W 10k ohm
R360	032-0140-15	1/10W 6.8k ohm F	R462	-----	(UNUSED)	R537	032-0140-51	1/10W 15k ohm F
R361	032-0140-15	1/10W 6.8k ohm F	R463	119-4731-15	1/10W 47k ohm	R544	119-4731-15	1/10W 47k ohm
R362	032-0140-50	1/10W 10k ohm F	R464	119-3321-15	1/10W 3.3k ohm	R545	119-4731-15	1/10W 47k ohm
R363	032-0140-50	1/10W 10k ohm F	R465	-----	(UNUSED)	R546	116-4721-15	1/4W 4.7k ohm
R364	032-0140-50	1/10W 10k ohm F	R466	119-4731-15	1/10W 47k ohm	R547	119-4721-15	1/10W 4.7k ohm
R365	032-0140-50	1/10W 10k ohm F	R467	-----	(UNUSED)	R548	119-4721-15	1/10W 4.7k ohm
R366	032-0140-50	1/10W 10k ohm F	R468	119-4791-15	1/10W 4.7 ohm	R549	119-3331-15	1/10W 33k ohm
R367	032-0140-50	1/10W 10k ohm F	R469	119-1011-15	1/10W 100 ohm	R550	-----	(UNUSED)
R400	-----	(UNUSED)	R470	-----	(UNUSED)	R551	-----	(UNUSED)
R4001	119-1021-15	1/10W 1k ohm	R471	-----	(UNUSED)	R552	-----	(UNUSED)
R4004	119-1021-15	1/10W 1k ohm	R472	119-1011-15	1/10W 100 ohm	R553	-----	(UNUSED)
R4005	119-1021-15	1/10W 1k ohm	R473	-----	(UNUSED)	R554	-----	(UNUSED)
R401	119-1021-15	1/10W 1k ohm	R474	119-4731-15	1/10W 47k ohm	R555	116-3911-15	1/4W 390 ohm
R402	119-1021-15	1/10W 1k ohm	R475	119-1011-15	1/10W 100 ohm	R556	119-1521-15	1/10W 1.5k ohm
R403	119-1021-15	1/10W 1k ohm	R476	119-1011-15	1/10W 100 ohm	R557	116-1221-15	1/4W 1.2k ohm
R404	119-0000-05	1/10W 0 ohm JW	R477	119-4721-15	1/10W 4.7k ohm	R558	119-1031-15	1/10W 10k ohm
R405	119-1021-15	1/10W 1k ohm	R478	119-4721-15	1/10W 4.7k ohm	R559	116-1221-15	1/4W 1.2k ohm
R406	119-1021-15	1/10W 1k ohm	R479	-----	(UNUSED)	R560	119-1031-15	1/10W 10k ohm
R407	119-1021-15	1/10W 1k ohm	R480	-----	(UNUSED)	R561	116-1221-15	1/4W 1.2k ohm
R408	119-1021-15	1/10W 1k ohm	R481	119-2231-15	1/10W 22k ohm	R562	116-1221-15	1/4W 1.2k ohm
R409	-----	(UNUSED)	R482	-----	(UNUSED)	R563	119-1031-15	1/10W 10k ohm
R410	-----	(UNUSED)	R483	-----	(UNUSED)	R564	119-4721-15	1/10W 4.7k ohm
R411	119-4721-15	1/10W 4.7k ohm	R484	119-4731-15	1/10W 47k ohm	R565	119-1521-15	1/10W 1.5k ohm
R412	119-4721-15	1/10W 4.7k ohm	R485	119-4731-15	1/10W 47k ohm	R566	119-1031-15	1/10W 10k ohm
R413	119-3311-15	1/10W 330 ohm	R486	119-1041-15	1/10W 100k ohm	R567	032-0148-50	1/10W 100k ohm D
R414	119-3311-15	1/10W 330 ohm	R487	119-1041-15	1/10W 100k ohm	R568	032-0140-16	1/10W 180k ohm F
R415	119-4731-15	1/10W 47k ohm	R488	-----	(UNUSED)	R570	119-0000-05	1/10W 0 ohm JW
R416	119-4731-15	1/10W 47k ohm	R489	-----	(UNUSED)	R571	119-0000-05	1/10W 0 ohm JW
R417	119-4731-15	1/10W 47k ohm	R490	-----	(UNUSED)	R572	032-0208-51	1/4W 15k ohm
R418	-----	(UNUSED)	R491	-----	(UNUSED)	R573	119-2221-15	1/10W 2.2k ohm
R419	-----	(UNUSED)	R492	119-4731-15	1/10W 47k ohm	R574	-----	(UNUSED)
R420	-----	(UNUSED)	R493	119-4721-15	1/10W 4.7k ohm	R575	116-1531-15	1/4W 15k ohm
R421	-----	(UNUSED)	R494	119-4721-15	1/10W 4.7k ohm	R576	119-0000-05	1/10W 0 ohm JW
R422	119-0000-05	1/10W 0 ohm JW	R495	119-4731-15	1/10W 47k ohm	R577	119-1031-15	1/10W 10k ohm
R423	119-1011-15	1/10W 100 ohm	R496	119-4721-15	1/10W 4.7k ohm	R578	168-6812-55	680pF K
R424	119-1011-15	1/10W 100 ohm	R497	119-4721-15	1/10W 4.7k ohm	R579	119-1031-15	1/10W 10k ohm
R425	-----	(UNUSED)	R498	119-1041-15	1/10W 100k ohm	R580	119-5611-15	1/10W 560 ohm
R426	-----	(UNUSED)	R499	119-1041-15	1/10W 100k ohm	R581	116-4791-15	1/4W 4.7 ohm
R427	-----	(UNUSED)	R501	116-8211-15	1/4W 820 ohm	R582	116-4791-15	1/4W 4.7 ohm
R428	-----	(UNUSED)	R502	119-1031-15	1/10W 10k ohm	R583	119-2231-15	1/10W 22k ohm
R429	-----	(UNUSED)	R503	119-1031-15	1/10W 10k ohm	R584	119-3321-15	1/10W 3.3k ohm
R430	-----	(UNUSED)	R504	119-1031-15	1/10W 10k ohm	R586	116-8211-15	1/4W 820 ohm
R431	-----	(UNUSED)	R505	119-1031-15	1/10W 10k ohm	R587	-----	(UNUSED)
R432	119-1011-15	1/10W 100 ohm	R506	116-8211-15	1/4W 820 ohm	R588	119-3341-15	1/10W 330k ohm
R433	119-1011-15	1/10W 100 ohm	R507	119-1031-15	1/10W 10k ohm	R589	-----	(UNUSED)
R434	119-1031-15	1/10W 10k ohm	R508	119-1031-15	1/10W 10k ohm	R590	-----	(UNUSED)
R435	119-1031-15	1/10W 10k ohm	R509	119-1031-15	1/10W 10k ohm	R591	-----	(UNUSED)
R436	116-6201-15	1/4W 62 ohm	R510	119-1031-15	1/10W 10k ohm	R592	119-1021-15	1/10W 1k ohm
R437	119-4731-15	1/10W 47k ohm	R511	119-1031-15	1/10W 10k ohm	R593	119-1021-15	1/10W 1k ohm
R438	116-6201-15	1/4W 62 ohm	R512	119-1031-15	1/10W 10k ohm	SUP102	060-0122-91	DSP-141N-S00B
R439	119-4731-15	1/10W 47k ohm	R513	-----	(UNUSED)	T101	-----	(UNUSED)
R440	119-4731-15	1/10W 47k ohm	R514	119-1051-15	1/10W 1M ohm	TC401	004-1580-10	30pF GRN
R441	119-1031-15	1/10W 10k ohm	R515	119-1051-15	1/10W 1M ohm	TH101	002-0229-00	RTH8L05BAIR8M1B
R442	119-4721-15	1/10W 4.7k ohm	R516	119-1051-15	1/10W 1M ohm	TM101	073-0762-90	TERMINAL
R443	-----	(UNUSED)	R517	119-1051-15	1/10W 1M ohm	TM502	073-0762-90	TERMINAL
R444	119-1021-15	1/10W 1k ohm	R518	119-1031-15	1/10W 10k ohm	TM503	-----	(UNUSED)
R445	119-4731-15	1/10W 47k ohm	R519	119-1031-15	1/10W 10k ohm	X301	061-3537-90	41.6MHz
R446	119-4731-15	1/10W 47k ohm	R520	119-1031-15	1/10W 10k ohm	X401	061-3567-90	8.000MHz AT-41CD2
R447	119-1031-15	1/10W 10k ohm	R521	119-1031-15	1/10W 10k ohm	PWB	039-3392-00	PWB(WITHOUT COMPONENT)
R448	119-4731-15	1/10W 47k ohm	R522	119-1031-15	1/10W 10k ohm			
R449	119-4731-15	1/10W 47k ohm	R523	119-1031-15	1/10W 10k ohm			
R450	119-0000-05	1/10W 0 ohm JW	R524	119-4731-15	1/10W 47k ohm			

Switch PWB(B2) section

REF No.	PART No.	DESCRIPTION	REF No.	PART No.	DESCRIPTION	REF No.	PART No.	DESCRIPTION
C601	043-0554-90	25V 10uF	D628	001-7109-90	SML-311DTT86	IC601	051-6057-00	ML9090A-01GA
C602	043-0554-90	25V 10uF			ORG	J601	074-3033-26	26P
C603	168-1042-78	16V 0.1uF K	D629	001-7109-90	SML-311DTT86	J602	075-0395-01	JACK
C604	043-0554-90	25V 10uF			ORG	LCD601	379-1434-50	INDICATOR (LCD)
C605	168-1042-78	16V 0.1uF K	D630	001-7109-90	SML-311DTT86	Q601	190-1162-00	2SA1162
D601	001-9210-50	AVR-M1608C270M			ORG	Q602	192-2712-51	2SC2712 G,L
		TAAD	D631	001-7109-90	SML-311DTT86	R601	032-0140-00	1/10W 56k ohm F
D602	001-9210-50	AVR-M1608C270M			ORG	R602	119-4731-15	1/10W 47k ohm
		TAAD	D632	001-7109-90	SML-311DTT86	R604	032-0140-53	1/10W 2.2k ohm F
D603	001-9210-50	AVR-M1608C270M			ORG	R605	032-0140-53	1/10W 2.2k ohm F
		TAAD	D633	001-7109-90	SML-311DTT86	R606	116-1821-15	1/4W 1.8k ohm
D604	001-4320-50	EDZC6.8B			ORG	R607	119-4731-15	1/10W 47k ohm
D605	001-7109-90	SML-311DTT86	D634	001-7109-90	SML-311DTT86	R608	116-2221-15	1/4W 2.2k ohm
		ORG			ORG	R609	116-2721-15	1/4W 2.7k ohm
D606	001-7109-90	SML-311DTT86	D635	001-7109-90	SML-311DTT86	R611	116-2221-15	1/4W 2.2k ohm
		ORG			ORG	R612	116-2221-15	1/4W 2.2k ohm
D607	001-7109-90	SML-311DTT86	D636	001-7109-90	SML-311DTT86	R613	116-2221-15	1/4W 2.2k ohm
		ORG			ORG	R614	116-2221-15	1/4W 2.2k ohm
D610	001-7109-90	SML-311DTT86	D637	001-7109-90	SML-311DTT86	R615	116-1021-15	1/4W 1k ohm
		ORG			ORG	R616	116-2221-15	1/4W 2.2k ohm
D611	001-7109-90	SML-311DTT86	D638	001-7109-90	SML-311DTT86	R617	116-1021-15	1/4W 1k ohm
		ORG			ORG	R618	116-2221-15	1/4W 2.2k ohm
D612	001-7109-90	SML-311DTT86	D639	001-7109-90	SML-311DTT86	R619	116-1021-15	1/4W 1k ohm
		ORG			ORG	R620	116-2221-15	1/4W 2.2k ohm
D613	001-7109-90	SML-311DTT86	D640	001-7109-90	SML-311DTT86	R621	116-1021-15	1/4W 1k ohm
		ORG			ORG	R622	116-1821-15	1/4W 1.8k ohm
D614	001-7109-90	SML-311DTT86	D641	001-7109-90	SML-311DTT86	R623	116-1021-15	1/4W 1k ohm
		ORG			ORG	R624	116-1821-15	1/4W 1.8k ohm
D615	001-7109-90	SML-311DTT86	D642	001-7109-90	SML-311DTT86	R625	116-1021-15	1/4W 1k ohm
		ORG			ORG	R626	116-1821-15	1/4W 1.8k ohm
D616	001-7109-90	SML-311DTT86	D643	001-7109-90	SML-311DTT86	R627	116-2221-15	1/4W 2.2k ohm
		ORG			ORG	R628	116-2721-15	1/4W 2.7k ohm
D617	001-7109-90	SML-311DTT86	D644	001-7109-90	SML-311DTT86	R629	116-2221-15	1/4W 2.2k ohm
		ORG			ORG	R630	116-2221-15	1/4W 2.2k ohm
D618	001-7109-90	SML-311DTT86	D645	001-7109-90	SML-311DTT86	R631	116-2221-15	1/4W 2.2k ohm
		ORG			ORG	R632	116-2221-15	1/4W 2.2k ohm
D619	001-7109-90	SML-311DTT86	D656	001-7109-90	SML-311DTT86	R633	116-2221-15	1/4W 2.2k ohm
		ORG			ORG	R634	116-2221-15	1/4W 2.2k ohm
D620	001-7109-90	SML-311DTT86	D662	001-9210-50	AVR-M1608C270M	R635	119-0000-05	1/10W 0 ohm JW
		ORG			TAAD	R636	116-2221-15	1/4W 2.2k ohm
D621	001-7109-90	SML-311DTT86	D663	001-9210-50	AVR-M1608C270M	R637	119-0000-05	1/10W 0 ohm JW
		ORG			TAAD	R639	116-1821-15	1/4W 1.8k ohm
D622	001-7109-90	SML-311DTT86	D664	001-9210-50	AVR-M1608C270M	R640	119-2221-15	1/10W 2.2k ohm
		ORG			TAAD	S601	016-7004-00	ROTARY SWITCH
D623	001-7109-90	SML-311DTT86	D665	001-9210-50	AVR-M1608C270M	S602	013-6201-53	SKPMAPE010
		ORG			TAAD	S603	013-6202-52	SKPMBJE010
D624	001-7109-90	SML-311DTT86	D666	001-9210-50	AVR-M1608C270M	S604	013-6202-52	SKPMBJE010
		ORG			TAAD	S605	013-6202-52	SKPMBJE010
D625	001-7109-90	SML-311DTT86	D667	001-9210-50	AVR-M1608C270M	S606	013-6202-52	SKPMBJE010
		ORG			TAAD	TM601	073-0778-90	TERMINAL
D626	001-7109-90	SML-311DTT86	D668	001-9210-50	AVR-M1608C270M	PWB	039-3307-00	PWB(WITHOUT
		ORG			TAAD			
D627	001-7109-90	SML-311DTT86	D669	001-9210-50	AVR-M1608C270M			
		ORG			TAAD			

EXPLODED VIEW/PARTS LIST



NO.	PART NO.	DESCRIPTION	Q'TY	NO.	PART NO.	DESCRIPTION	Q'TY
1	-----	SENSOR PWB	1	40	621-1751-20	POWER GEAR D	1
2	-----	CD PWB	1	41	621-1752-20	DISC STOPPER	1
3	SMA-182-100	SPINDLE MOTOR-ASSY	1	42	621-1753-20	CLAMPER RING	1
4	SMA-183-100	SLED MOTOR-ASSY	1	43	621-1754-20	GEAR BASE	1
5	345-5476-20	CUSHION RUBBER	1	44	622-1571-21	ROLLER SHAFT	1
6	620-1023-23	CLAMPER PLATE	1	45	624-3059-00	LEAD SCREW	1
7	620-1026-21	SPRING PLATE	1	46	629-0086-20	DAMPER F	2
8	620-1596-23	CLAMPER LINK	1	47	629-0087-20	DAMPER R	1
9	620-1862-20	UPPER CHASSIS	1	48	716-1507-01	SCREW(M2x3)	3
10	620-1752-20	SENSOR ARM	1	49	716-1670-01	SCREW(M2x4)	4
11	620-1753-20	ID-LOCK PLATE	1	50	716-1733-01	SCREW(M1.7x2.3)	2
12	620-1868-20	LOWER CHASSIS	1	51	716-3469-01	SCREW(1.7x4)	2
13	621-0608-21	SECOND GEAR	1	52	716-3473-01	SCREW(M2x3)	1
14	621-0609-21	BASE GEAR	1	53	716-3551-00	SCREW(M1.4x2.5)	2
15	621-0610-21	IDLE GEAR A	1	54	750-7865-20	SHIFT SPRING	1
16	621-0611-21	IDLE GEAR B	1	55	750-7866-20	RACK SPRING	1
17	621-0612-22	ROLLER GEAR A	1	56	750-7867-20	CLAMPER SPRING	1
18	621-0620-20	THREAD GEAR A	1	57	750-7868-20	ID-LOCK SPRING	1
19	621-0621-20	THREAD GEAR B	1	58	750-7869-20	SENSOR SPRING	1
20	621-0623-24	LS-HOLDER	1	59	750-7870-20	DR-SPRING F	2
21	621-0624-22	GUIDE RAIL	1	60	750-7871-20	DR-SPRING RA	1
22	621-0711-21	LOADING ROLLER	2	61	750-7872-20	DR-SPRING RB	1
23	621-0718-21	ROLLER GUIDE	1	62	750-7873-20	DR-SPRING C	1
24	621-0719-20	ROLLER GEAR B	1	63	750-6797-20	ROLLER SPRING L	1
25	621-0720-20	ROLLER GEAR C	1	64	750-6798-20	ROLLER SPRING R	1
26	621-0721-20	ROLLER GEAR D	1	65	714-2003-8B	SCREW(M2x3)	2
27	621-0728-20	STOPPER LINK	1	66	780-2025-00	SCREW(M2x2.5)	3
28	621-1719-21	IDLE CASE	1	67	781-1730-00	SCREW(M1.7x3)	1
29	621-1726-21	ROLLER SLEEVE	2	68	803-4906-60	VINYL-COAT-WIRE(ORG)	1
30	621-1729-21	SH-BASE	1	69	816-2542-01	FLAT WIRE	1
31	621-1742-20	UPPER GUIDE	1	70	816-2590-00	VINYL-COAT-WIRE(GRN)	1
32	621-1743-20	SHIFT LEVER	1	71	816-2591-00	VINYL-COAT-WIRE(YEL)	1
33	621-1744-20	RACK	1	72	816-2592-00	VINYL-COAT-WIRE(BLUE)	1
34	621-1745-20	LOCK ARM L	1	73	816-2593-00	VINYL-COAT-WIRE(PUR)	1
35	621-1746-20	LOCK ARM R	1	74	966-1722-21	SH-RACK-ASSY	1
36	621-1747-20	GEAR COVER	1	75	620-1866-20	DRIVE-PLATE	1
37	621-1748-20	POWER GEAR A	1	76	969-0075-30	PICKUP-ASSY	1
38	621-1749-20	POWER GEAR B	1	77	622-1570-21	DAMPER PIN	3
39	621-1750-20	POWER GEAR C	1				

ELECTRICAL PARTS LIST

CD PWB(BM1) section

REF No.	PART No.	DESCRIPTION	REF No.	PART No.	DESCRIPTION	REF No.	PART No.	DESCRIPTION
C2	178-1052-78	1uF	C59	166-4701-50	47pF CH	R19	119-0000-05	1/10W 0 ohm JW
C3	042-0627-90	16V 100uF	C60	168-1042-78	16V 0.1uF	R20	119-0000-05	1/10 0ohm JW
C4	168-1042-78	16V 0.1uF	C63	168-1042-78	16V 0.1uF	R22	119-2231-15	1/10W 22k ohm
C6	178-1052-78	1uF	C68	168-1042-78	16V 0.1uF	R23	119-0000-05	1/10 0ohm JW
C7	042-0560-85	6.3V 100uF	C69	042-1710-90	6.3V 100uF	R25	119-1041-15	1/10W 100k ohm
C8	178-1052-78	1uF	C74	042-1709-90	6.3V 47uF	R26	119-0000-05	1/10W 0 ohm JW
C9	166-4711-50	470pF CH	C75	168-1042-78	16V 0.1uF	R27	119-4731-15	1/10W 47k ohm
C10	168-4732-78	0.047uF K	C77	168-1042-78	16V 0.1uF	R29	119-5621-15	1/10W 5.6k ohm
C11	166-4711-50	470pF CH	C78	168-1022-55	1000pF K	R30	119-2231-15	1/10W 22k ohm
C12	168-4732-78	0.047uF K	C79	168-1022-55	1000pF K	R31	119-4731-15	1/10W 47k ohm
C14	168-1042-78	16V 0.1uF	C80	042-0423-20	10V-10uF	R32	119-3341-15	1/10W 330k ohm
C15	166-1007-50	10pF CH	D1	001-1305-90	DAN217UT106	R33	119-1041-15	1/10W 100k ohm
C16	166-1007-50	10pF CH	IC1	051-6733-10	TC94A70FG-005	R34	119-1041-15	1/10W 100k ohm
C17	168-1042-78	16V 0.1uF	IC2	051-6079-80	BA5830FM-E2	R35	119-1041-15	1/10W 100k ohm
C18	168-2222-55	2200pF K	IC3	051-3395-90	NJU7780U1-15-TES	R36	119-1011-15	1/10W 100 ohm
C19	168-1042-78	16V 0.1uF	J1	074-1138-65	SOCKET (15P)	R38	119-1041-15	1/10W 100k ohm
C20	168-1042-78	16V 0.1uF	J2	074-1138-60	SOCKET (10P)	R39	119-0000-05	1/10W 0 ohm JW
C22	168-6822-55	6800pF K	J3	074-1205-88	SOCKET (38P)	R41	119-4721-15	1/10W 4.7k ohm
C23	119-0000-05	1/10W 0 ohm JW	L1	119-0000-05	1/10 0ohm JW	R42	119-4721-15	1/10W 4.7k ohm
C24	168-3332-78	0.033uF K	L2	119-0000-05	1/10 0ohm JW	R45	119-1031-15	1/10W 1k ohm
C25	168-3332-78	0.033uF K	L3	119-0000-05	1/10 0ohm JW	R46	119-4731-15	1/10W 47k ohm
C26	043-0570-90	16V 2.2uF K	L4	010-3104-50	30ohm/100MHz	R47	119-4731-15	1/10W 47k ohm
C28	168-1042-78	16V 0.1uF	L5	010-3406-26	0.01uH	R48	119-1031-15	1/10W 10k ohm
C29	168-1042-78	16V 0.1uF	Q1	131-1188-50	2SB1188 Q,R	R49	119-1031-15	1/10W 10k ohm
C30	168-1042-78	16V 0.1uF	Q2	198-3018-00	2SK3018	R50	119-2211-15	1/10W 220 ohm
C31	168-1042-78	16V 0.1uF	Q3	198-3018-00	2SK3018	R51	119-1031-15	1/10W 10k ohm
C33	168-1042-78	16V 0.1uF	Q4	192-4155-51	2SC4155A S,T	R52	119-1031-15	1/10W 10k ohm
C34	168-1042-78	16V 0.1uF	Q5	198-3018-00	2SK3018	R53	119-2211-15	1/10W 220 ohm
C35	168-5622-55	5600pF K	Q6	192-4155-51	2SC4155A S,T	R54	119-3331-15	1/10W 33k ohm
C36	168-1042-78	16V 0.1uF	Q7	198-3018-00	2SK3018	R55	119-4721-15	1/10W 4.7k ohm
C37	168-5622-55	5600pF K	Q8	198-3018-00	2SK3018	R56	119-3331-15	1/10W 33k ohm
C38	166-6801-50	68pF	R1	119-2211-15	1/10W 220 ohm	R57	119-4721-15	1/10W 4.7k ohm
C39	168-1042-78	16V 0.1uF	R2	117-6811-15	1/8W 680 ohm	R58	119-3331-15	1/10W 33k ohm
C40	168-1532-55	0.015uF K	R3	117-0000-05	1/8W 0 ohm JW	R59	119-4721-15	1/10W 4.7k ohm
C41	168-1042-78	16V 0.1uF	R4	119-1001-15	1/10W 10 ohm	R60	119-3331-15	1/10W 33k ohm
C42	168-1032-55	0.01uF K	R5	119-2731-15	1/10W 27k ohm	R61	119-4721-15	1/10W 4.7k ohm
C43	168-1042-78	16V 0.1uF	R6	119-2731-15	1/10W 27k ohm	R62	119-3331-15	1/10W 33k ohm
C44	168-1042-78	16V 0.1uF	R7	119-2221-15	1/10W 2.2k ohm	R63	119-4721-15	1/10W 4.7k ohm
C46	168-1522-55	1500pF K	R8	119-2731-15	1/10W 27k ohm	R64	119-1051-15	1/10W 1M ohm
C47	168-3322-55	3300pF K	R9	119-2731-15	1/10W 27k ohm	R65	119-4701-15	1/10W 47 ohm
C48	168-1032-55	0.01uF K	R10	119-1051-15	1/10W 1M ohm	R66	119-1051-15	1/10W 1M ohm
C49	168-1042-78	16V 0.1uF	R11	119-2211-15	1/10W 220 ohm	R67	119-0000-05	1/10W 0 ohm JW
C51	166-6801-50	68pF CH	R13	119-8231-15	1/10W 82k ohm	TM1	073-0768-90	TERMINAL
C54	168-1532-55	0.015uF K	R14	119-1531-15	1/10W 15k ohm	X1	061-3534-90	16.92MHz
C55	168-1042-78	16V 0.1uF	R15	119-8231-15	1/10W 82k ohm	PWB	039-3205-01	PWB(WITHOUT COMPONENTS)
C56	168-1042-78	16V 0.1uF	R16	119-4731-15	1/10W 47k ohm			
C58	166-6097-50	6pF CH	R17	119-0000-05	1/10 0ohm JW			

SENSOR PWB(BM2) section

REF No.	PART No.	DESCRIPTION	REF No.	PART No.	DESCRIPTION	REF No.	PART No.	DESCRIPTION
D1	001-7058-90	AN1105W-RR	Q1	060-4015-91	PS1192HB-32-TR	S2	013-7413-50	LIMIT
D2	001-7058-90	AN1105W-RR	Q2	060-4015-91	PS1192HB-32-TR	PWB	039-1944-21	PWB(WITHOUT COMPONENTS)
J1	074-1138-60	10P	S1	013-7414-50	CHUCKING			

BLOCK DIAGRAM

