

# PARTS LIST

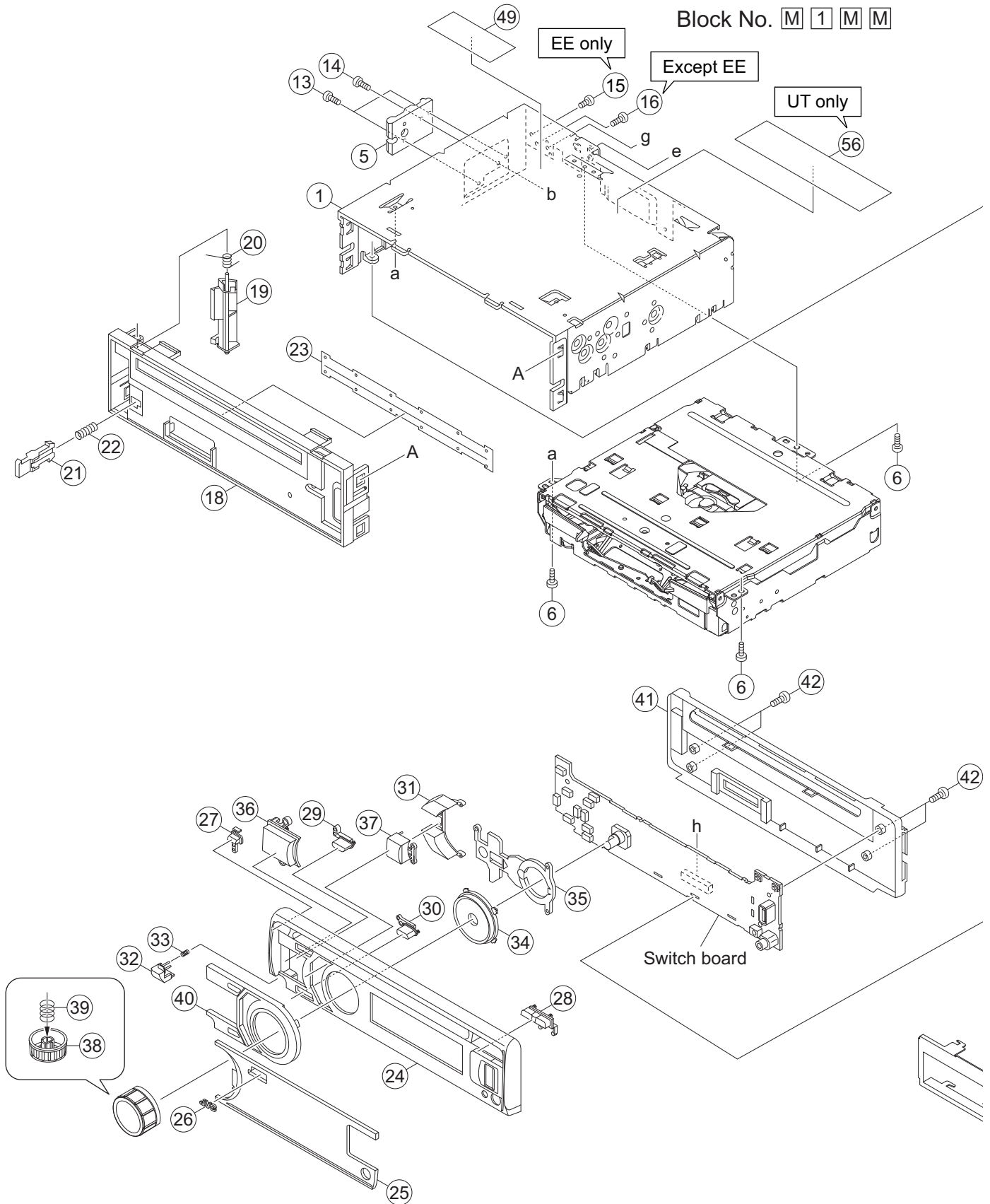
KD-A805J, KD-R800J, KD-R801E, KD-R801EX,  
KD-R801EY, KD-R801EU, KD-R805U, KD-R805UT,  
KD-R807EE

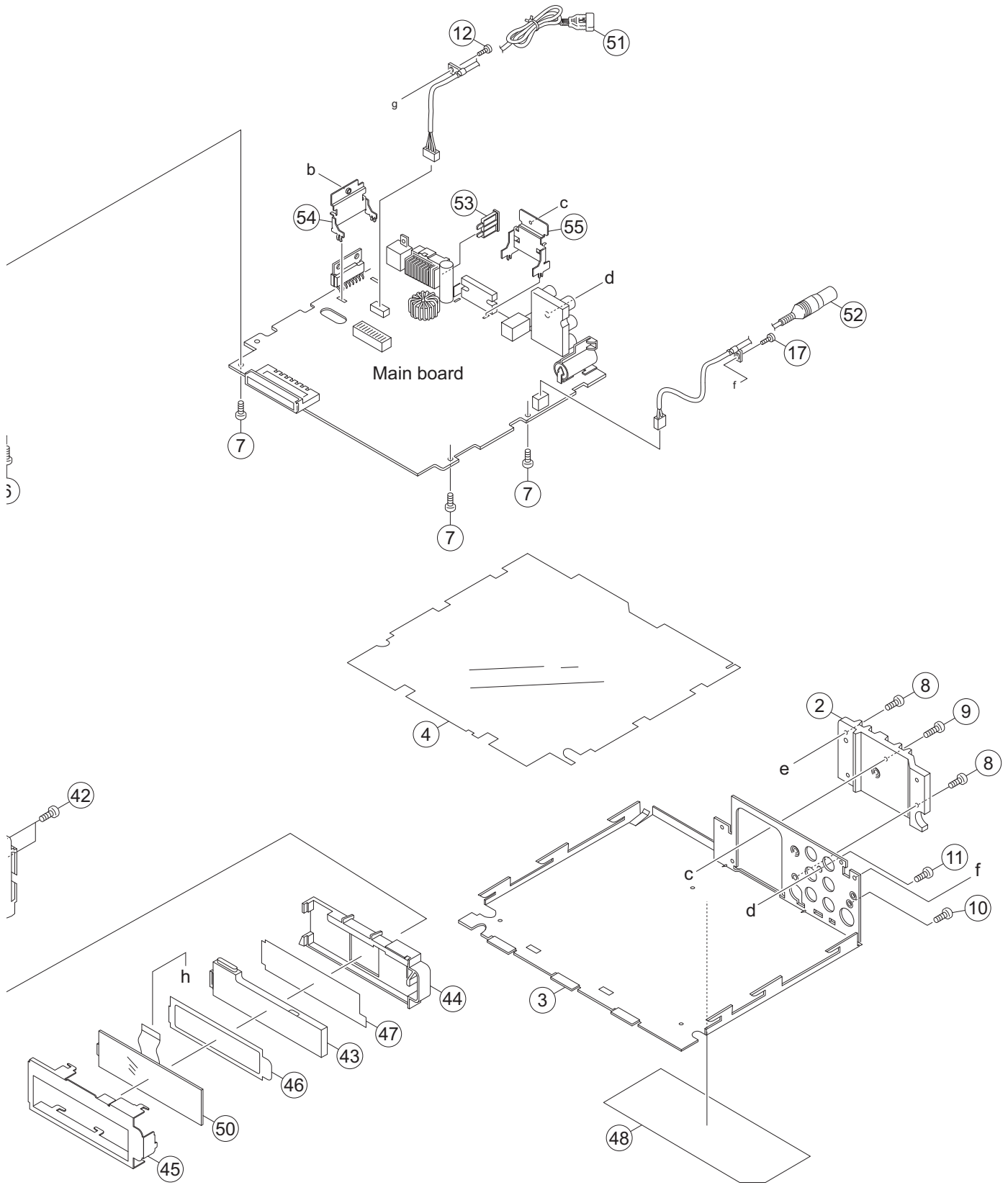
\* All printed circuit boards and its assemblies are not available as service parts.

## - Contents -

Exploded view of general assembly and parts list (Block No.M1) .....	3- 2
CD mechanism assembly and parts list (Block No.MB .....	3- 6
Electrical parts list (Block No.01~02) .....	3-11
Packing materials and accessories parts list (Block No.M3) .....	3-20

# Exploded view of general assembly and parts list





The parts without symbol number are not service.

# General Assembly

Block No. [M][1][M][M]

△	Symbol No.	Part No.	Part Name	Description	Local
	1	GE10253-001A	TOP CHASSIS		A805J,R800J,R801E,R801EX,R801EY,R801EU, R805U,R805UT
	1	GE10253-002A	TOP CHASSIS		R807EE
	2	GE33234-001A	HEATSINK		
	3	GE20232-005A	BOTTOM COVER		A805J,R801E,R801EX,R801EY,R801EU
	3	GE20232-004A	BOTTOM COVER		R800J,R805U,R805UT,R807EE
	4	GE32830-002A	INSULATOR		
	5	GE40395-001A	SIDE PANEL		
	6	QYSDST2604ZA	TAP SCREW	M2.6 x 4mm(x3)	
	7	GE40377-002A	SCREW	(x3)	
	8	GE40377-001A	SCREW	(x2)	
	9	QYSDST2610ZA	TAP SCREW	M2.6 x 10mm	
	10	QYSDST2606ZA	TAP SCREW	M2.6 x 6mm	
	11	QYSDSF2606ZA	TAP SCREW	M2.6 x 6mm	
	12	QYSDST2606ZA	TAP SCREW	M2.6 x 6mm	
	13	GE40377-002A	SCREW	(x2)	
	14	QYSDST2608ZA	TAP SCREW	M2.6 x 8mm	
	15	QYSDST2604ZA	TAP SCREW	M2.6 x 4mm	R807EE
	16	QYSDST2606ZA	TAP SCREW	M2.6 x 6mm	A805J,R800J,R801E,R801EX,R801EY,R801EU, R805U,R805UT
	17	QYSDST2606ZA	TAP SCREW	M2.6 x 6mm	
	18	GE10215-001A	FRONT CHASSIS		
	19	GE32350-002A	LOCK LEVER		
	20	GE40368-002A	TORSION SPRING		
	21	GE32810-001A	RELEASE LEVER		
	22	GE30999-004A	COMP.SPRING		
	23	GE40400-001A	BLIND		
	24	GE33592-020A	FRONT PANEL ASSY		A805J
	24	GE33592-026A	FRONT PANEL ASSY		R800J,R805U,R805UT
	24	GE33592-022A	FRONT PANEL ASSY		R801E,R801EX,R801EY,R801EU
	24	GE33592-027A	FRONT PANEL ASSY		R807EE
	25	GE33435-004A	FINDER ASSY		A805J
	25	GE33435-016A	FINDER ASSY		R800J
	25	GE33435-005A	FINDER ASSY		R801E,R801EX,R801EY,R801EU
	25	GE33435-018A	FINDER ASSY		R805U,R805UT
	25	GE33435-015A	FINDER ASSY		R807EE
	26	GE40403-001A	JVC BADGE		
	27	GE33433-001A	POWER BTN		
	28	GE33529-001A	EJECT BTN		
	29	GE33416-001A	SRC BUTTON		
	30	GE33417-001A	DISP BUTTON		R807EE
	30	GE33417-001A	DISP BUTTON		A805J,R800J,R801E,R801EX,R801EY,R801EU, R805U,R805UT
	31	GE33418-001A	MENU BUTTON		A805J
	31	GE33418-005A	MENU BUTTON		R800J
	31	GE33418-002A	MENU BUTTON		R801E,R801EX,R801EY,R801EU,R805U,R805UT
	31	GE33418-003A	MENU BUTTON		R807EE
	32	GE33421-001A	DETACH BTN		A805J,R800J,R801E,R801EX,R801EY,R801EU, R805U,R807EE
	32	GE33421-002A	DETACH BTN		R805UT
	33	GE30999-006A	COMP.SPRING		
	34	GE33424-001A	RIM LENS		
	35	GE33425-001A	LIGHT GUIDE		
	36	GE33438-001A	NAVI BTN ASSY		
	37	GE40451-011A	BUTTON ASSY		A805J
	37	GE40451-002A	BUTTON ASSY		R800J,R801E,R801EX,R801EY,R801EU,R805U, R805UT
	37	GE40451-003A	BUTTON ASSY		R807EE
	38	GE33704-003A	VOL KNOB ASSY		A805J
	38	GE33704-005A	VOL KNOB ASSY		R800J
	38	GE33704-001A	VOL KNOB ASSY		R801E,R801EX,R801EY,R801EU,R805U,R805UT
	38	GE33704-002A	VOL KNOB ASSY		R807EE
	39	GE40127-001A	KNOB SPRING		
	40	GE33436-006A	SIDE COVER ASSY		A805J
	40	GE33436-007A	SIDE COVER ASSY		R800J,R801E,R801EX,R801EY,R801EU,R805U, R805UT
	40	GE33436-008A	SIDE COVER ASSY		R807EE
	41	GE10252-002A	REAR COVER		
	42	VKZ4777-010	MINI SCREW	(x4)	
	43	GE33591-001A	LCD LENS		
	44	GE33432-001A	LENS CASE		
	45	GE33431-001A	LCD CASE		
	46	GE40464-001A	LIGHTING SHEET		
	47	GE40465-001A	LIGHTING SHT RW		
	48	GE33602-001A	NAME PLATE		A805J

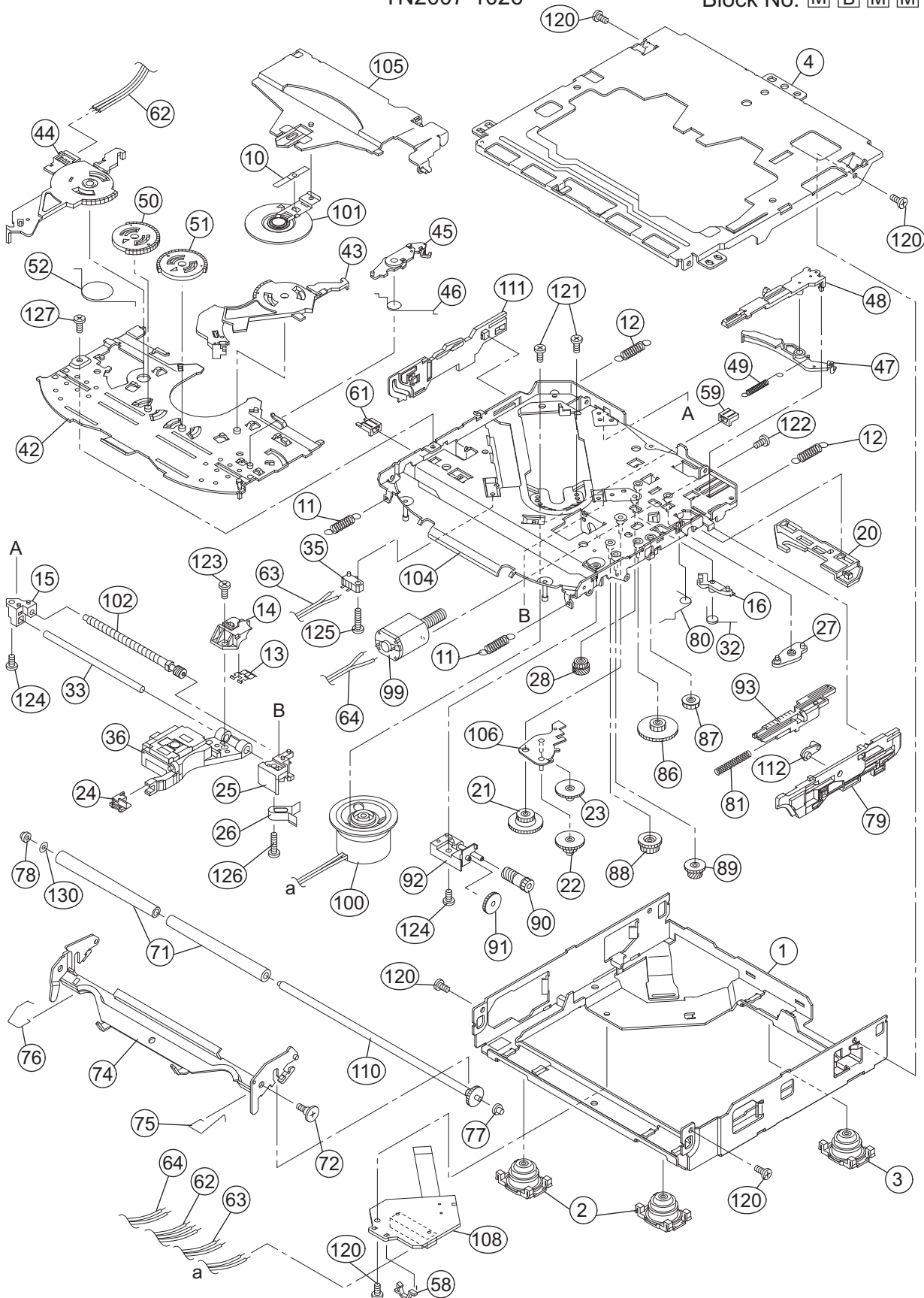
△	Symbol No.	Part No.	Part Name	Description	Local
	48	GE33605-001A	NAME PLATE		R800J
	48	GE33611-001A	NAME PLATE		R801E,R801EX,R801EY,R801EU
	48	GE33608-001A	NAME PLATE		R805U,R805UT
	48	GE33614-001A	NAME PLATE		R807EE
	49	GE40442-001A	FCC RULE LABEL		A805J,R800J
	50	QLD0584-001	LCD MODULE		
	51	QAM1077-002	USB CABLE		
	52	QAM1002-001	MIC CABLE		
△	53	QMFZ064-150-J1	FUSE	15A CN901	
	54	GE40396-002A	REG BRACKET	IC901	
	55	GE40354-001A	IC BRACKET	IC301	
	56	GE31574-0A7A	UT LABEL		R805UT

# CD mechanism assembly and parts list

TN2007-1026

Block No. 

M	B	M	M
---	---	---	---



# CD mechanism

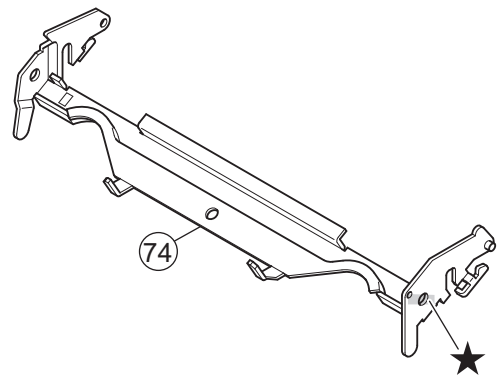
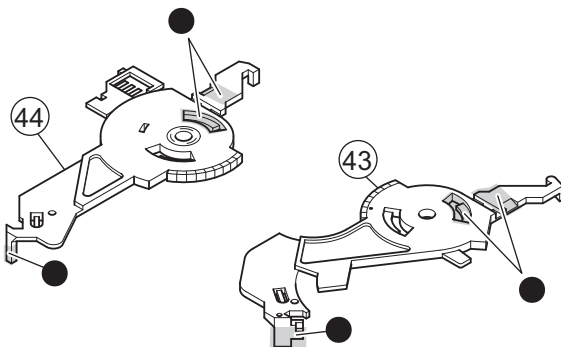
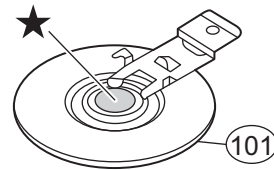
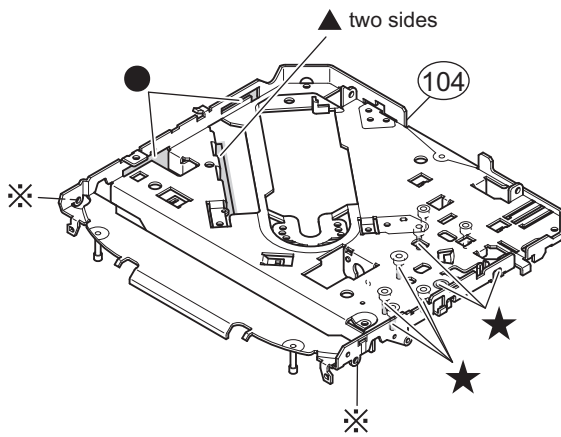
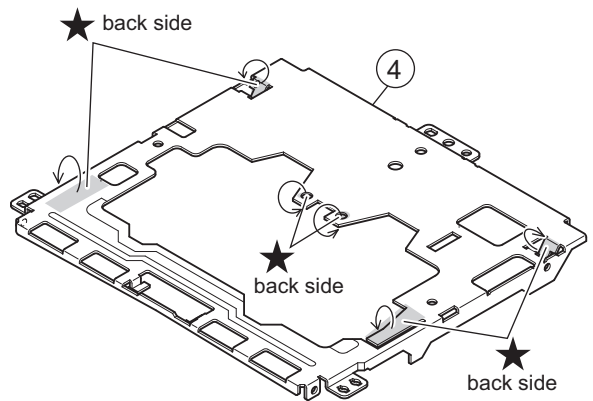
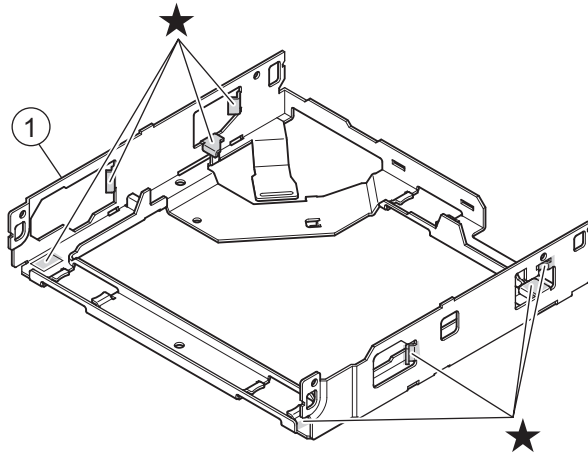
Block No. [M][B][M][M]

△	Symbol No.	Part No.	Part Name	Description	Local
	1	30350101T	FRAME		
	2	30350103T	DAMPER F	(x2)	
	3	30350104T	DAMPER R		
	4	30350107T	TOP COVER		
	10	30320513T	CLAMPER SUB SPG		
	11	30350505T	FRONT SUS SPG	(x2)	
	12	30350506T	REAR SUS SPRING	(x2)	
	13	30350508T	FEED NUT SPP		
	14	30350509T	FEED SCREW HLDR		
	15	30350525T	PU SHAFT HLDR B		
	16	30350528T	LOCK LEVER		
	20	30350529T	LOCK PLATE		
	21	30350581T	CHANGE GEAR2		
	22	30350582T	CHANGE GEAR 3A		
	23	30350583T	CHANGE GEAR 3B		
	24	30350535T	FEED SUB HOLDER		
	25	30350536T	PU SHAFT HLDR A		
	26	30350539T	FD THRUST SPP		
	27	30350542T	CHANGE ARM		
	28	30350580T	FEED GEAR 1		
	32	30350554T	LOCK LEVER SP		
	33	30350555T	PU SHAFT		
	35	64010418T	PUSH SW P389-01		
	36	69011629T	PICK UP	OPTIMA-727AD	
	42	30350801T	TOP PLATE		
	43	30350802T	SELECT ARM R		
	44	30350803T	MODE SWICH		
	45	30350806T	SELECT LOCK ARM		
	46	30350807T	SPRING		
	47	30350808T	TRIGGER ARM		
	48	30350809T	TRG ARM BASE		
	49	30350810T	TRIGGER ARM SPR		
	50	30350811T	LINK GEAR L		
	51	30350812T	LINK GEAR R		
	52	30350813T	LINK GEAR SPR		
	58	19501403T	WIRE CLUMPER		
	59	30321013T	WIRE CLAMPER		
	61	30351001T	WIRE CLAMPER		
	62	30351008T	MODE SW WIRE		
	63	30351003T	REST SW WIRE		
	64	30351004T	LD WIRE		
	71	30321137T	LDG ROLLER	(x2)	
	72	30321143T	COLLAR SCREW		
	74	30351101T	LOCK ARM		
	75	30351102T	LD ROLLER SPR R		
	76	30351103T	LD ROLLER SPR L		
	77	30351105T	ROLLER GUIDE R		
	78	30351106T	ROLLER GUIDE L		
	79	30351116T	CAM PLATE R (N)		
	80	30351111T	TR CONTROL SPR		
	81	30351113T	SPRING		
	86	30351122T	LOADING GEAR 1		
	87	30351123T	LOADING GEAR 2		
	88	30351128T	LOADING GEAR 3		
	89	30351129T	LOADING GEAR 4		
	90	30351140T	LOADING GEAR 5		
	91	30351131T	LOADING GEAR 6		
	92	30351133T	LD GEAR BRACKET		
	93	30351135T	PLATE		
	99	303505309T	MORTER ASSY		
	100	303505302T	SPINDLE MOTOR		
	101	303505303T	CLAMPER ASSY		
	102	303505304T	FEED SCREW ASSY		
	104	303505501T	CHASSIS RIVET		
	105	303505502T	CLAMPER ARM RVT		
	106	303505503T	RIVET ASSY		
	108	303510304T	BASE BOARD ASSY		
	110	303511301T	ROLLER SHAFT		
	111	303511302T	CAM PLATE L		
	112	303511501T	SLIDE HOOK RVT		
	120	9P0420037T	SCREW	(x5)	
	121	9C0117187T	SCREW	(x2)	
	122	9C0120207T	SCREW		
	123	9C4517506T	SCREW		

△	Symbol No.	Part No.	Part Name	Description	Local
	124	9P0420047T	SCREW	(x2)	
	125	9P0420067T	SCREW		
	126	9P0420087T	SCREW		
	127	9C0420257T	SCREW		
	130	9W0513060T	HL WASHER		

# Grease point 1/2

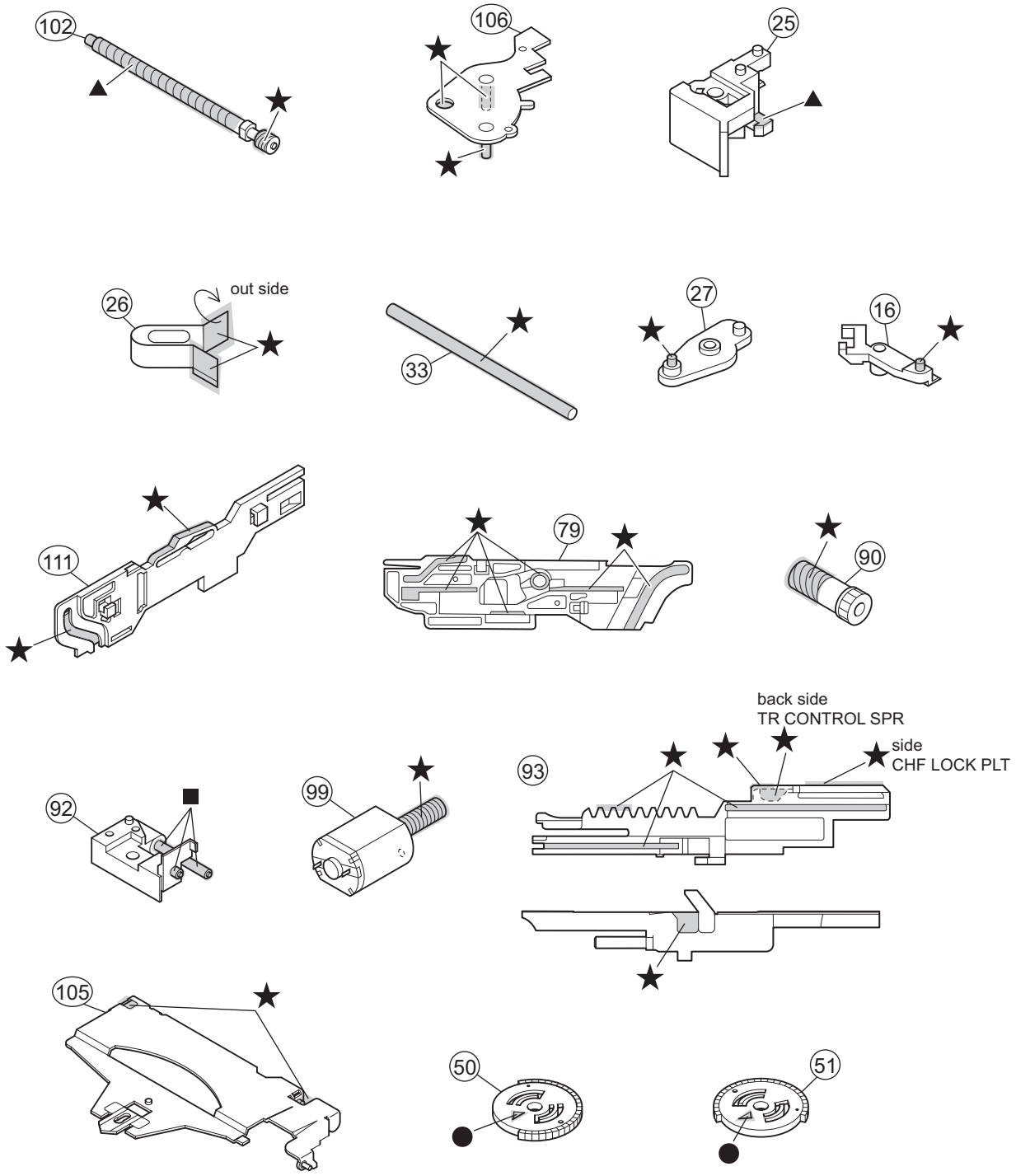
- grease
- ★ TNG-87
  - TN-4456
  - ▲ TNS-925R
  - ※ GP-501MK



# Grease point 2/2

grease

- ★ TNG-87
- TN-4456
- ▲ TNS-925R
- G-322



# Electrical parts list

## Main board

Block No. [0][1]

△ Symbol No.	Part No.	Part Name	Description	Local
△ IC1	TEF6606T/V3-X	IC1		
IC71	LC72725KM-X	IC		R801E, R801EX, R801EY, R801EU, R807EE
IC161	NJW1222V-X	IC		
IC201	NJM4565E-X	IC		
IC271	NJM2160BV-X	IC		A805J
△ IC301	TDA7851A	IC		
IC361	NJM2792V-X	IC		A805J
△ IC401	TCC8600	IC		
IC402	M24256-BWMN6-X	IC(EEPROM)		
IC441	FSDG3080D006ABS	IC (PROGRAMED)		A805J
IC441	FSDG3081D006ABS	IC (PROGRAMED)		R800J
IC441	FSDG3083D105ABS	IC (PROGRAMED)		R801E, R801EX, R801EY, R801EU, R807EE
IC441	FSDG3082D007ABS	IC (PROGRAMED)		R805U
IC441	FSDG3082D010ABS	IC (PROGRAMED)		R805UT
IC441	FSDG3084D027ABS	IC (PROGRAMED)		R807EE
IC442	V54C3128164VC17	IC		
IC481	MFI341S2162-X	IC		
IC491	TPS2052BD-X	IC		
IC492	NJM2878F4-21-X	IC		
IC501	MN6627551CB	IC		
IC503	PCM1780-X	IC		
IC504	74LVC1G3157GW-X	IC		
IC505	74LVC1G34GW-X	IC		R801E, R801EX, R801EY, R801EU, R805U, R807EE
IC541	LA6242H-X	IC		
IC580	NJM4580E-X	IC		
△ IC701	JES1501	IC(PROGRAMED)		A805J, R800J, R805U, R805UT
△ IC701	JES1511	IC(PROGRAMED)		R801E, R801EX, R801EY, R801EU, R807EE
IC771	LE24C162M-TLM-X	IC		R801E, R801EX, R801EY, R801EU, R807EE
IC801	74AHCT126PW-X	IC		A805J, R800J, R801E, R801EX, R801EY, R801EU, R805U, R805UT
△ IC901	AN34002A	REGULATOR IC		
IC932	NJM2878F4-33-X	IC		
IC941	LV5749V-X	IC		
Q251	KTD1304-X	TRANSISTOR		
Q252	RT1P141C-X	DIGI TRANSISTOR		
Q252	or UN2111-X	TRANSISTOR		
Q322	IMX9-W	PAIR TRANSISTOR		
Q332	IMX9-W	PAIR TRANSISTOR		
Q501	2SA1530A/QR/-X	TRANSISTOR		
Q541	2SA1705/ST/-T	TRANSISTOR		
Q701	2SC3928A/QR/-X	TRANSISTOR		
Q701	or 2SC5845-X	TRANSISTOR		
Q701	or KTC3875/YG/-X	TRANSISTOR		
Q704	ISA1530AC1/QR/X	TRANSISTOR		
Q704	or 2SA2077-X	TRANSISTOR		

△ Symbol No.	Part No.	Part Name	Description	Local
Q781	RT1P141C-X	DIGI TRANSISTOR		
Q781	or UN2111-X	TRANSISTOR		
Q782	KTD1304-X	TRANSISTOR		
Q784	RT1P141C-X	DIGI TRANSISTOR		
Q784	or UN2111-X	TRANSISTOR		
Q841	RT1N141C-X	DIGI TRANSISTOR		
Q841	or UN2211-X	TRANSISTOR		
Q881	RT1N141C-X	DIGI TRANSISTOR		
Q881	or UN2211-X	TRANSISTOR		
Q941	MCH6406-W	MOS TRANSISTOR		
Q942	MCH6406-W	MOS TRANSISTOR		
Q976	RT1N141C-X	DIGI TRANSISTOR		
Q976	or UN2211-X	TRANSISTOR		
Q977	ISA1530AC1/QR/X	TRANSISTOR		
Q977	or 2SA2077-X	TRANSISTOR		
D1	MA111-X	SI DIODE		
D1	or 1SS355W-X	DIODE		
D2	MA111-X	SI DIODE		
D2	or 1SS355W-X	DIODE		
D251	MA111-X	SI DIODE		
D251	or 1SS355W-X	DIODE		
D252	MA111-X	SI DIODE		
D252	or 1SS355W-X	DIODE		
D253	MA111-X	SI DIODE		
D253	or 1SS355W-X	DIODE		
D321	MA111-X	SI DIODE		
D321	or 1SS355W-X	DIODE		
D331	MA111-X	SI DIODE		
D331	or 1SS355W-X	DIODE		
D341	MA111-X	SI DIODE		
D341	or 1SS355W-X	DIODE		
D351	MA111-X	SI DIODE		
D351	or 1SS355W-X	DIODE		
D411	MA8033-X	Z DIODE		
D411	or UDZW3.3B-X	Z DIODE		
D475	NAF0029-001X	DIODE		
D476	NAF0029-001X	DIODE		
D477	NAF0029-001X	DIODE		
D478	NAF0029-001X	DIODE		
D501	GS1J-LTP-X	DIODE		
D701	MA8062/M/-X	Z DIODE		
D701	or UDZW6.2B-X	Z DIODE		
D702	MA8062/M/-X	Z DIODE		
D702	or UDZW6.2B-X	Z DIODE		
D703	MA8062/M/-X	Z DIODE		
D703	or UDZW6.2B-X	Z DIODE		
D704	MA8062/M/-X	Z DIODE		
D704	or UDZW6.2B-X	Z DIODE		
D705	MA8062/M/-X	Z DIODE		
D705	or UDZW6.2B-X	Z DIODE		
D707	MA8062/M/-X	Z DIODE		
D707	or UDZW6.2B-X	Z DIODE		
D708	MA8062/M/-X	Z DIODE		
D708	or UDZW6.2B-X	Z DIODE		
D709	MA8062/M/-X	Z DIODE		
D709	or UDZW6.2B-X	Z DIODE		
D712	MA8062/M/-X	Z DIODE		
D712	or UDZW6.2B-X	Z DIODE		
D714	MA8056/M/-X	Z DIODE		
D714	or UDZW5.6B-X	Z DIODE		
D721	MC2838-X	DIODE		
D721	or MA152WK-X	SI DIODE		
D722	MC2838-X	DIODE		
D722	or MA152WK-X	SI DIODE		
D723	MC2836-X	DIODE		
D723	or MA152WA-X	DIODE		
D726	MA8062/M/-X	Z DIODE		
D726	or UDZW6.2B-X	Z DIODE		

A805J,  
R801E,  
R801EX,  
R801EY,  
R801EU  
A805J,  
R801E,  
R801EX,  
R801EY,  
R801EU

△ Symbol No.	Part No.	Part Name	Description	Local	△ Symbol No.	Part No.	Part Name	Description	Local
D727	MA8062/M/-X	Z DIODE			C75	NDCA1HJ-330W	C CAPACITOR	33pF 50V J	R801E,
D727	or UDZW6.2B-X	Z DIODE							R801EX,
D728	MA8062/M/-X	Z DIODE							R801EY,
D728	or UDZW6.2B-X	Z DIODE							R801EU,
D729	MA8062/M/-X	Z DIODE							R807EE
D729	or UDZW6.2B-X	Z DIODE			C76	NCBA1CK-103W	C CAPACITOR	0.01uF 16V K	R801E,
D781	MA111-X	SI DIODE							R801EX,
D781	or 1SS355W-X	DIODE							R801EY,
D782	MA111-X	SI DIODE							R801EU,
D782	or 1SS355W-X	DIODE							R807EE
D784	MA8110/M/-X	Z DIODE			C77	QEKJ0JM-476Z	E CAPACITOR	47uF 6.3V M	R801E,
D784	or UDZW11B-X	Z DIODE							R801EX,
D785	MA111-X	SI DIODE							R801EY,
D785	or 1SS355W-X	DIODE							R801EU,
D851	MA22F20-X	SB DIODE			C78	NCBA1CK-103W	C CAPACITOR	0.01uF 16V K	R807EE
				R805U,					R801E,
				R805UT					R801EX,
D852	MA22D23-X	SB DIODE							R801EY,
				R805U,					R801EU,
				R805UT					R807EE
D852	or CRS03-W	SB DIODE			C161	QTE1H57-105Z	E CAPACITOR	1uF 50V	
				R805U,	C162	QTE1H64-225Z	E CAPACITOR	2.2uF 50V	
				R805UT	C163	QEKJ1HM-105Z	E CAPACITOR	1uF 50V M	
D852	or RB160M-30-X	SB DIODE			C165	QEKJ1HM-105Z	E CAPACITOR	1uF 50V M	
				R805U,	C166	QEKJ1HM-105Z	E CAPACITOR	1uF 50V M	
				R805UT	C168	NCB31CK-104X	C CAPACITOR	0.1uF 16V K	
D901	1N5401-F64	SI DIODE			C169	NCBA1HK-332W	C CAPACITOR	3300pF 50V K	
D901	or 1N5401-TU-15	SI DIODE			C171	QTE1H57-105Z	E CAPACITOR	1uF 50V	
D903	GS1J-LTP-X	DIODE		R801E,	C172	QTE1H64-225Z	E CAPACITOR	2.2uF 50V	
				R801EX,	C173	QEKJ1HM-105Z	E CAPACITOR	1uF 50V M	
				R801EY,	C175	QEKJ1HM-105Z	E CAPACITOR	1uF 50V M	
				R801EU	C179	NCBA1HK-332W	C CAPACITOR	3300pF 50V K	
D941	MA22D23-X	SB DIODE			C180	NCB31AK-104X	C CAPACITOR	0.1uF 10V K	
D941	or CRS03-W	SB DIODE			C181	NCB31AK-104X	C CAPACITOR	0.1uF 10V K	
D941	or RB160M-30-X	SB DIODE			C182	NCB31AK-104X	C CAPACITOR	0.1uF 10V K	
D971	MA22F20-X	SB DIODE			C183	NCB31AK-104X	C CAPACITOR	0.1uF 10V K	
D972	MA22D39-X	SB DIODE			C185	QTE1C57-476Z	E CAPACITOR	47uF 16V	
D5001	MA8051/M/-X	Z DIODE			C186	NCB31CK-224X	C CAPACITOR	0.22uF 16V K	
D5001	or UDZW5.1B-X	SB DIODE			C187	NCB31EK-472X	C CAPACITOR	4700pF 25V K	
					C188	QTE1A57-107Z	E CAPACITOR	100uF 10V	
C1	NDC31HJ-102X	C CAPACITOR	1000pF 50V J		C191	NCB31AK-105X	C CAPACITOR	1uF 10V K	
C2	NDC31HJ-7R0X	C CAPACITOR	7pF 50V J		C202	QEKJ1HM-475Z	E CAPACITOR	4.7uF 50V M	
C3	NCB31HK-102X	C CAPACITOR	1000pF 50V K		C231	QEKJ1HM-475Z	E CAPACITOR	4.7uF 50V M	
C4	NCB31AK-224X	C CAPACITOR	0.22uF 10V K		C232	QEKJ1HM-475Z	E CAPACITOR	4.7uF 50V M	
C5	NDC31HJ-150X	C CAPACITOR	15pF 50V J		C233	NDCA1HJ-681W	C CAPACITOR	680pF 50V J	
C6	NDC31HJ-220X	C CAPACITOR	22pF 50V J		C234	QEKJ1HM-475Z	E CAPACITOR	4.7uF 50V M	
C10	NCB31CK-105X	C CAPACITOR	1uF 16V K		C236	QEKJ1CM-226Z	E CAPACITOR	22uF 16V M	
C11	NCBA1CK-103W	C CAPACITOR	0.01uF 16V K		C238	NDCA1HJ-681W	C CAPACITOR	680pF 50V J	
C12	NCBA1CK-103W	C CAPACITOR	0.01uF 16V K		C239	NCBA1AK-333W	C CAPACITOR	0.033uF 10V K	
C13	NCB31CK-105X	C CAPACITOR	1uF 16V K		C240	NCBA1AK-273W	C CAPACITOR	0.027uF 10V K	
C14	NCB31AK-224X	C CAPACITOR	0.22uF 10V K		C241	NCBA1AK-273W	C CAPACITOR	0.027uF 10V K	
C15	NCB31AK-104X	C CAPACITOR	0.1uF 10V K		C242	NDCA1HJ-220W	C CAPACITOR	22pF 50V J	
C16	NCBA1CK-103W	C CAPACITOR	0.01uF 16V K		C243	NCBA1AK-333W	C CAPACITOR	0.033uF 10V K	
C17	NCB31AK-104X	C CAPACITOR	0.1uF 10V K		C244	QEKJ1CM-226Z	E CAPACITOR	22uF 16V M	
C18	NCBA1CK-103W	C CAPACITOR	0.01uF 16V K		C245	NCBA1AK-104W	C CAPACITOR	0.1uF 10V K	
C19	NCB31AK-104X	C CAPACITOR	0.1uF 10V K		C251	QEKJ1CM-106Z	E CAPACITOR	10uF 16V M	
C22	NDCA1HJ-150W	C CAPACITOR	15pF 50V J		C252	QEKJ0JM-476Z	E CAPACITOR	47uF 6.3V M	
C23	NCBA1AK-104W	C CAPACITOR	0.1uF 10V K		C253	NCBA1AK-104W	C CAPACITOR	0.1uF 10V K	
C24	NCBA1CK-103W	C CAPACITOR	0.01uF 16V K		C254	NCB21AK-225X	C CAPACITOR	2.2uF 10V K	
C25	NCBA1CK-103W	C CAPACITOR	0.01uF 16V K		C271	QEKJ1HM-475Z	E CAPACITOR	4.7uF 50V M	A805J
C26	QEKJ1CM-107Z	E CAPACITOR	100uF 16V M		C272	QEKJ1CM-226Z	E CAPACITOR	22uF 16V M	A805J
C30	QEKJ1AM-227Z	E CAPACITOR	220uF 10V M		C273	QEKJ1CM-107Z	E CAPACITOR	100uF 16V M	A805J
C31	NCB31CK-104X	C CAPACITOR	0.1uF 16V K		C274	NCBA1AK-104W	C CAPACITOR	0.1uF 10V K	A805J
C33	NDC31HJ-5R6X	C CAPACITOR	5.6pF 50V J		C275	NCBA1HK-152W	C CAPACITOR	1500pF 50V K	A805J
C71	NDCA1HJ-561W	C CAPACITOR	560pF 50V J	R801E,	C301	QFV91HJ-474Z	MF CAPACITOR	0.47uF 50V J	
				R801EX,	C302	QFV91HJ-474Z	MF CAPACITOR	0.47uF 50V J	
				R801EY,	C306	NEAF1EM-475X	E CAPACITOR	4.7uF 25V M	
				R801EU,	C310	NDC31HJ-820X	C CAPACITOR	82pF 50V J	
				R807EE	C311	QFV91HJ-474Z	MF CAPACITOR	0.47uF 50V J	
				R801E,	C312	QFV91HJ-474Z	MF CAPACITOR	0.47uF 50V J	
				R801EX,	C315	QEKJ1HM-105Z	E CAPACITOR	1uF 50V M	
				R801EY,	C316	QEKJ1HM-475Z	E CAPACITOR	4.7uF 50V M	
				R801EU,	C317	QTE1C57-476Z	E CAPACITOR	47uF 16V	
				R807EE	C318	NEAF1EM-475X	E CAPACITOR	4.7uF 25V M	
C72	NCBA1CK-223W	C CAPACITOR	0.022uF 16V K		C319	NCB31EK-223X	C CAPACITOR	0.022uF 25V K	
				R801E,	C320	NCB31EK-223X	C CAPACITOR	0.022uF 25V K	
				R801EX,	C321	NCBA1CK-103W	C CAPACITOR	0.01uF 16V K	
				R801EY,	C322	NCBA1EK-472W	C CAPACITOR	4700pF 25V K	
				R801EU,	C323	NCBA1EK-472W	C CAPACITOR	4700pF 25V K	
				R807EE	C324	NCBA1EK-472W	C CAPACITOR	4700pF 25V K	
C73	QEKJ1HM-225Z	E CAPACITOR	2.2uF 50V M						
				R801E,					
				R801EX,					
				R801EY,					
				R801EU,					
				R807EE					
C74	NDCA1HJ-330W	C CAPACITOR	33pF 50V J						
				R801E,					
				R801EX,					
				R801EY,					
				R801EU,					
				R807EE					

△ Symbol No.	Part No.	Part Name	Description	Local	△ Symbol No.	Part No.	Part Name	Description	Local
C325	NCBA1EK-472W	C CAPACITOR	4700pF 25V K		C520	NDC31HJ-681X	C CAPACITOR	680pF 50V J	
C327	NDC31HJ-820X	C CAPACITOR	82pF 50V J		C521	NCBA1CK-153W	C CAPACITOR	0.015uF 16V K	
C330	NCB31EK-103X	C CAPACITOR	0.01uF 25V K		C522	NCBA1AK-104W	C CAPACITOR	0.1uF 10V K	
C331	NCB31EK-103X	C CAPACITOR	0.01uF 25V K		C523	NCBA1HK-102W	C CAPACITOR	1000pF 50V K	
C361	QEKJ1HM-475Z	E CAPACITOR	4.7uF 50V M	A805J	C524	NCBA1AK-823W	C CAPACITOR	0.082uF 10V K	
C362	QEKJ1HM-475Z	E CAPACITOR	4.7uF 50V M	A805J	C525	NCBA1AK-104W	C CAPACITOR	0.1uF 10V K	
C365	QEKJ1HM-475Z	E CAPACITOR	4.7uF 50V M		C526	NCBA1AK-104W	C CAPACITOR	0.1uF 10V K	
C366	QEKJ1HM-475Z	E CAPACITOR	4.7uF 50V M		C527	NDCA1HJ-101W	C CAPACITOR	100pF 50V J	
C367	QEKJ1AM-227Z	E CAPACITOR	220uF 10V M	A805J	C528	NCBA1AK-104W	C CAPACITOR	0.1uF 10V K	
C368	QEKJ1AM-227Z	E CAPACITOR	220uF 10V M	A805J	C529	NCBA1AK-104W	C CAPACITOR	0.1uF 10V K	
C369	QEKJ0JM-476Z	E CAPACITOR	47uF 6.3V M	A805J	C530	NCB31AK-334X	C CAPACITOR	0.33uF 10V K	
C370	NCBA1HK-152W	C CAPACITOR	1500pF 50V K	A805J	C531	NCBA1AK-104W	C CAPACITOR	0.1uF 10V K	
C371	NCBA1AK-104W	C CAPACITOR	0.1uF 10V K	A805J	C532	NCBA1CK-104W	C CAPACITOR	0.1uF 16V K	R801E, R801EX, R801EY, R801EU, R805U, R807EE
C372	NCBA1HK-152W	C CAPACITOR	1500pF 50V K	A805J					
C381	QEKJ1HM-475Z	E CAPACITOR	4.7uF 50V M	A805J					
C382	QEKJ1HM-475Z	E CAPACITOR	4.7uF 50V M	A805J					
C385	QEKJ1HM-475Z	E CAPACITOR	4.7uF 50V M						
C386	QEKJ1HM-475Z	E CAPACITOR	4.7uF 50V M						
C387	QEKJ1AM-227Z	E CAPACITOR	220uF 10V M		C541	QEKJ1AM-227Z	E CAPACITOR	220uF 10V M	
C388	NCBA1AK-104W	C CAPACITOR	0.1uF 10V K		C542	NCB31CK-104X	C CAPACITOR	0.1uF 16V K	
C402	NCBA1CK-104W	C CAPACITOR	0.1uF 16V K		C543	QEKJ1CM-106Z	E CAPACITOR	10uF 16V M	
C403	NCB31CK-104X	C CAPACITOR	0.1uF 16V K		C544	NCB31CK-104X	C CAPACITOR	0.1uF 16V K	
C404	NCBA1CK-104W	C CAPACITOR	0.1uF 16V K		C545	NCB31CK-104X	C CAPACITOR	0.1uF 16V K	
C405	NCBA1HK-122W	C CAPACITOR	1200pF 50V K		C546	NCBA1CK-104W	C CAPACITOR	0.1uF 16V K	
C406	NCBA1CK-104W	C CAPACITOR	0.1uF 16V K		C547	QEKJ0JM-227Z	E CAPACITOR	220uF 6.3V M	
C407	NDC31HJ-270X	C CAPACITOR	27pF 50V J		C548	NCB31CK-104X	C CAPACITOR	0.1uF 16V K	
C408	NDC31HJ-330X	C CAPACITOR	33pF 50V J		C549	NCBA1HK-222W	C CAPACITOR	2200pF 50V K	
C409	NCBA1CK-104W	C CAPACITOR	0.1uF 16V K		C550	NCBA1EK-682W	C CAPACITOR	6800pF 25V K	
C410	NDCA1HJ-331W	C CAPACITOR	330pF 50V J		C551	NCBA1HK-182W	C CAPACITOR	1800pF 50V K	
C411	NCBA1CK-104W	C CAPACITOR	0.1uF 16V K		C552	NCBA1HK-122W	C CAPACITOR	1200pF 50V K	
C412	NCBA1CK-104W	C CAPACITOR	0.1uF 16V K		C553	NCBA1CK-473W	C CAPACITOR	0.047uF 16V K	
C413	NCBA1CK-104W	C CAPACITOR	0.1uF 16V K		C554	NCBA1CK-473W	C CAPACITOR	0.047uF 16V K	
C414	NCBA1CK-104W	C CAPACITOR	0.1uF 16V K		C556	NCBA1CK-473W	C CAPACITOR	0.047uF 16V K	
C415	NCBA1CK-104W	C CAPACITOR	0.1uF 16V K		C557	NCBA1CK-473W	C CAPACITOR	0.047uF 16V K	
C416	NCBA1CK-104W	C CAPACITOR	0.1uF 16V K		C558	QEKJ0JM-476Z	E CAPACITOR	47uF 6.3V M	
C417	NCBA1CK-104W	C CAPACITOR	0.1uF 16V K		C559	QEKJ0JM-476Z	E CAPACITOR	47uF 6.3V M	
C418	NCBA1CK-104W	C CAPACITOR	0.1uF 16V K		C580	QTE1E57-475Z	E CAPACITOR	4.7uF 25V	
C419	NCBA1CK-104W	C CAPACITOR	0.1uF 16V K		C581	NDCA1HJ-101W	C CAPACITOR	100pF 50V J	
C420	NCBA1CK-104W	C CAPACITOR	0.1uF 16V K		C582	NDCA1HJ-151W	C CAPACITOR	150pF 50V J	
C421	NCBA1CK-104W	C CAPACITOR	0.1uF 16V K		C583	QTE0J57-476Z	E CAPACITOR	47uF 6.3V	
C422	NCBA1AK-473W	C CAPACITOR	0.047uF 10V K		C584	NCBA1HK-821W	C CAPACITOR	820pF 50V K	
C424	NCB31CK-105X	C CAPACITOR	1uF 16V K		C590	QTE1E57-475Z	E CAPACITOR	4.7uF 25V	
C437	NCBA1AK-273W	C CAPACITOR	0.027uF 10V K		C591	NDCA1HJ-101W	C CAPACITOR	100pF 50V J	
C440	NCB31AK-154X	C CAPACITOR	0.15uF 10V K		C592	NDCA1HJ-151W	C CAPACITOR	150pF 50V J	
C441	NCBA1CK-104W	C CAPACITOR	0.1uF 16V K		C593	QTE0J57-476Z	E CAPACITOR	47uF 6.3V	
C442	NBE20JM-226X	TA E CAPACITOR	22uF 6.3V M		C594	NCBA1HK-821W	C CAPACITOR	820pF 50V K	
C443	NCB31CK-104X	C CAPACITOR	0.1uF 16V K		C596	QTE1A57-107Z	E CAPACITOR	100uF 10V	
C444	NCB31CK-104X	C CAPACITOR	0.1uF 16V K		C597	NCBA1AK-104W	C CAPACITOR	0.1uF 10V K	
C445	NCB31CK-104X	C CAPACITOR	0.1uF 16V K		C701	NDCA1HJ-220W	C CAPACITOR	22pF 50V J	
C446	NCB31CK-104X	C CAPACITOR	0.1uF 16V K		C702	NDCA1HJ-270W	C CAPACITOR	27pF 50V J	
C447	NCB31CK-104X	C CAPACITOR	0.1uF 16V K		C705	NCBA1AK-473W	C CAPACITOR	0.047uF 10V K	
C448	NBE20JM-226X	TA E CAPACITOR	22uF 6.3V M		C706	NCBA1AK-473W	C CAPACITOR	0.047uF 10V K	
C449	NCB31CK-104X	C CAPACITOR	0.1uF 16V K		C707	NCBA1AK-473W	C CAPACITOR	0.047uF 10V K	
C450	NCB31CK-104X	C CAPACITOR	0.1uF 16V K		C708	NCBA1AK-473W	C CAPACITOR	0.047uF 10V K	
C481	NCBA1AK-104W	C CAPACITOR	0.1uF 10V K		C709	NCBA1CK-103W	C CAPACITOR	0.01uF 16V K	
C491	NBE21CM-475X	TA E CAPACITOR	4.7uF 16V M		C711	QERF0JM-337Z	E CAPACITOR	330uF 6.3V M	
C492	NCBA1CK-104W	C CAPACITOR	0.1uF 16V K		C713	NCBA1CK-103W	C CAPACITOR	0.01uF 16V K	
C493	NCJ11EK-106X-R	C CAPACITOR	10uF 25V		C714	NCBA1AK-104W	C CAPACITOR	0.1uF 10V K	
C495	NCBA1CK-103W	C CAPACITOR	0.01uF 16V K		C716	NCBA1AK-104W	C CAPACITOR	0.1uF 10V K	
C497	NCBA1CK-104W	C CAPACITOR	0.1uF 16V K		C717	NCB31CK-104X	C CAPACITOR	0.1uF 16V K	
C501	QEKJ0JM-476Z	E CAPACITOR	47uF 6.3V M		C718	NDCA1HJ-101W	C CAPACITOR	100pF 50V J	A805J, R801E, R801EX, R801EY, R801EU
C502	NCBA1CK-104W	C CAPACITOR	0.1uF 16V K						
C503	NCBA1CK-104W	C CAPACITOR	0.1uF 16V K						
C504	NCBA1HK-332W	C CAPACITOR	3300pF 50V K						
C505	NCBA1CK-223W	C CAPACITOR	0.022uF 16V K		C720	NCBA1CK-103W	C CAPACITOR	0.01uF 16V K	
C506	NDCA1HJ-561W	C CAPACITOR	560pF 50V J		C724	NCBA1AK-473W	C CAPACITOR	0.047uF 10V K	
C507	NDC31HJ-181X	C CAPACITOR	180pF 50V J		C725	QEKJ1CM-106Z	E CAPACITOR	10uF 16V M	
C508	NCBA1CK-223W	C CAPACITOR	0.022uF 16V K		C726	NCBA1AK-473W	C CAPACITOR	0.047uF 10V K	
C509	NCBA1AK-104W	C CAPACITOR	0.1uF 10V K		C732	NCB31AK-105X	C CAPACITOR	1uF 10V K	
C510	QEKJ0JM-476Z	E CAPACITOR	47uF 6.3V M		C771	NCBA1AK-473W	C CAPACITOR	0.047uF 10V K	
C512	NCB31HK-822X	C CAPACITOR	8200pF 50V K						
C513	NCB31AK-334X	C CAPACITOR	0.33uF 10V K						
C514	NCBA1HK-332W	C CAPACITOR	3300pF 50V K						
C515	QEKJ0JM-107Z	E CAPACITOR	100uF 6.3V M						
C516	NDCA1HJ-820W	C CAPACITOR	82pF 50V J		C781	QEKJ0JM-107Z	E CAPACITOR	100uF 6.3V M	R801E, R801EX, R801EY, R801EU, R807EE
C517	NCB31AK-334X	C CAPACITOR	0.33uF 10V K		C782	NCBA1AK-823W	C CAPACITOR	0.082uF 10V K	
C518	QEKJ0JM-227Z	E CAPACITOR	220uF 6.3V M		C783	NCBA1CK-103W	C CAPACITOR	0.01uF 16V K	
C519	NCBA1AK-104W	C CAPACITOR	0.1uF 10V K		C784	QEKJ1CM-107Z	E CAPACITOR	100uF 16V M	

△ Symbol No.	Part No.	Part Name	Description	Local	△ Symbol No.	Part No.	Part Name	Description	Local
C801	NCBA1CK-473W	C CAPACITOR	0.047uF 16V K	A805J, R800J, R801E, R801EX, R801EY, R801EU, R805U, R805UT	R74	NRSA02J-101X	MG RESISTOR	100Ω 1/10W J	R801E, R801EX, R801EY, R801EU, R807EE
C841	QEKJ1HM-105Z	E CAPACITOR	1uF 50V M		R81	NRSA6AJ-752W	MG RESISTOR	7.5kΩ 1/16W J	A805J, R800J
C851	QEKJ1CM-106Z	E CAPACITOR	10uF 16V M	R805U, R805UT	R81	NRSA6AJ-682W	MG RESISTOR	6.8kΩ 1/16W J	R801E, R801EX, R801EY, R801EU, R805U, R805UT, R807EE
C852	NCB31CK-224X	C CAPACITOR	0.22uF 16V K	R805U, R805UT					
C881	NEAF1CM-226X	E CAPACITOR	22uF 16V M		R82	NRSA6AJ-392W	MG RESISTOR	3.9kΩ 1/16W J	A805J, R800J
C901	QEZ0870-278	E CAPACITOR	2700uF		R82	NRSA6AJ-822W	MG RESISTOR	8.2kΩ 1/16W J	R801E, R801EX, R801EY, R801EU, R805U, R805UT, R807EE
C902	QEKJ1HM-225Z	E CAPACITOR	2.2uF 50V M						
C903	QEKJ1CM-107Z	E CAPACITOR	100uF 16V M						
C904	QEKJ1CM-106Z	E CAPACITOR	10uF 16V M						
C905	QEKJ1CM-476Z	E CAPACITOR	47uF 16V M						
C906	NCBA1CK-103W	C CAPACITOR	0.01uF 16V K		R91	NRSA6AJ-752W	MG RESISTOR	7.5kΩ 1/16W J	A805J, R800J
C907	QEKJ1AM-227Z	E CAPACITOR	220uF 10V M		R91	NRSA6AJ-682W	MG RESISTOR	6.8kΩ 1/16W J	R801E, R801EX, R801EY, R801EU, R805U, R805UT, R807EE
C908	QERF0JM-337Z	E CAPACITOR	330uF 6.3V M						
C909	QERF0JM-337Z	E CAPACITOR	330uF 6.3V M						
C910	QEKJ1CM-106Z	E CAPACITOR	10uF 16V M						
C911	NCB31EK-104X	C CAPACITOR	0.1uF 25V K						
C912	NCBA1CK-103W	C CAPACITOR	0.01uF 16V K						
C913	QEKJ1CM-106Z	E CAPACITOR	10uF 16V M						
C914	QEKJ1CM-107Z	E CAPACITOR	100uF 16V M						
C915	NCB31EK-104X	C CAPACITOR	0.1uF 25V K						
C916	NCBA1CK-103W	C CAPACITOR	0.01uF 16V K						
C918	NCBA1CK-103W	C CAPACITOR	0.01uF 16V K		R92	NRSA6AJ-392W	MG RESISTOR	3.9kΩ 1/16W J	A805J, R800J
C921	NCB31AK-105X	C CAPACITOR	1uF 10V K		R92	NRSA6AJ-822W	MG RESISTOR	8.2kΩ 1/16W J	R801E, R801EX, R801EY, R801EU, R805U, R805UT, R807EE
C922	NCB31AK-105X	C CAPACITOR	1uF 10V K						
C924	NCB10JK-106X-A	C CAPACITOR	10uF 6.3V K						
C929	NCBA1CK-103W	C CAPACITOR	0.01uF 16V K						
C932	QEKJ0JM-107Z	E CAPACITOR	100uF 6.3V M						
C940	NCB10JK-106X-A	C CAPACITOR	10uF 6.3V K						
C941	NCJ11EK-106X-A	C CAPACITOR	10uF 25V K						
C942	NCJ11EK-106X-A	C CAPACITOR	10uF 25V K		R164	NRSA63J-471X	MG RESISTOR	470Ω 1/16W J	
C943	NCB31EK-104X	C CAPACITOR	0.1uF 25V K		R165	NRSA63J-471X	MG RESISTOR	470Ω 1/16W J	
C944	NCBA1HK-102W	C CAPACITOR	1000pF 50V K		R166	NRSA6AJ-104W	MG RESISTOR	100kΩ 1/16W J	
C945	NCB31AK-105X	C CAPACITOR	1uF 10V K		R167	NRSA6AJ-104W	MG RESISTOR	100kΩ 1/16W J	
C946	NCB31CK-104X	C CAPACITOR	0.1uF 16V K		R168	NRSA63J-471X	MG RESISTOR	470Ω 1/16W J	
C947	NCB31CK-104X	C CAPACITOR	0.1uF 16V K		R173	NRSA6AJ-0R0W	MG RESISTOR	0Ω 1/16W J	
C948	NDC31HJ-681X	C CAPACITOR	680pF 50V J		R175	NRSA6AJ-222W	MG RESISTOR	2.2kΩ 1/16W J	
C949	NCB31AK-105X	C CAPACITOR	1uF 10V K		R176	NRSA6AJ-222W	MG RESISTOR	2.2kΩ 1/16W J	
C971	NCB31EK-104X	C CAPACITOR	0.1uF 25V K		R202	NRSA6AJ-102W	MG RESISTOR	1kΩ 1/16W J	
C992	NDC31HJ-220X	C CAPACITOR	22pF 50V J		R230	NRSA6AJ-822W	MG RESISTOR	8.2kΩ 1/16W J	
C993	NDC31HJ-220X	C CAPACITOR	22pF 50V J		R231	NRSA6AJ-122W	MG RESISTOR	1.2kΩ 1/16W J	
C5004	QTE0J57-107Z	E CAPACITOR	100uF 6.3V		R232	NRSA6AJ-122W	MG RESISTOR	1.2kΩ 1/16W J	
C5005	NCBA1AK-104W	C CAPACITOR	0.1uF 10V K		R233	NRSA6AJ-473W	MG RESISTOR	47kΩ 1/16W J	
C5006	NCBA1CK-123W	C CAPACITOR	0.012uF 16V K		R234	NRSA6AJ-333W	MG RESISTOR	33kΩ 1/16W J	
C5007	QTE0J57-476Z	E CAPACITOR	47uF 6.3V		R235	NRSA6AJ-822W	MG RESISTOR	8.2kΩ 1/16W J	
R1	NRSA63J-474X	MG RESISTOR	470kΩ 1/16W J		R237	NRSA6AJ-103W	MG RESISTOR	10kΩ 1/16W J	
R2	NRSA63J-474X	MG RESISTOR	470kΩ 1/16W J		R238	NRSA6AJ-473W	MG RESISTOR	47kΩ 1/16W J	
R3	NRSA63J-101X	MG RESISTOR	100Ω 1/16W J		R239	NRSA6AJ-103W	MG RESISTOR	10kΩ 1/16W J	
R4	NRSA6AJ-472W	MG RESISTOR	4.7kΩ 1/16W J		R240	NRSA6AJ-822W	MG RESISTOR	8.2kΩ 1/16W J	
R5	NRSA63J-470X	MG RESISTOR	47Ω 1/16W J		R241	NRSA6AJ-0R0W	MG RESISTOR	0Ω 1/16W J	
R6	NRSA6AJ-101W	MG RESISTOR	100Ω 1/16W J		R242	NRSA6AJ-0R0W	MG RESISTOR	0Ω 1/16W J	
R7	NRSA6AJ-101W	MG RESISTOR	100Ω 1/16W J		R243	NRSA02J-100X	MG RESISTOR	10Ω 1/10W J	
R8	NRSA63J-470X	MG RESISTOR	47Ω 1/16W J		R260	NRSA6AJ-333W	MG RESISTOR	33kΩ 1/16W J	
R11	NRS181J-4R7X	MG RESISTOR	4.7Ω 1/8W J		R261	NRSA6AJ-821W	MG RESISTOR	820Ω 1/16W J	
R14	NRSA6AJ-472W	MG RESISTOR	4.7kΩ 1/16W J		R262	NRSA6AJ-101W	MG RESISTOR	100Ω 1/16W J	
R15	NRSA6AJ-472W	MG RESISTOR	4.7kΩ 1/16W J		R263	NRSA6AJ-472W	MG RESISTOR	4.7kΩ 1/16W J	
R71	NRSA6AJ-0R0W	MG RESISTOR	0Ω 1/16W J	R801E, R801EX, R801EY, R801EU, R807EE	R264	NRSA6AJ-0R0W	MG RESISTOR	0Ω 1/16W J	R800J, R801E, R801EX, R801EY, R801EU, R805U, R805UT, R807EE
R72	NRSA6AJ-222W	MG RESISTOR	2.2kΩ 1/16W J	R801E, R801EX, R801EY, R801EU, R807EE					
R73	NRSA6AJ-222W	MG RESISTOR	2.2kΩ 1/16W J	R801E, R801EX, R801EY, R801EU, R807EE	R271	NRSA6AJ-223W	MG RESISTOR	22kΩ 1/16W J	A805J
					R272	NRSA6AJ-333W	MG RESISTOR	33kΩ 1/16W J	A805J
					R301	NRSA6AJ-102W	MG RESISTOR	1kΩ 1/16W J	
					R302	NRSA6AJ-102W	MG RESISTOR	1kΩ 1/16W J	
					R305	NRSA6AJ-273W	MG RESISTOR	27kΩ 1/16W J	
					R307	NRSA6AJ-472W	MG RESISTOR	4.7kΩ 1/16W J	
					R308	NRSA6AJ-271W	MG RESISTOR	270Ω 1/16W J	A805J
					R311	NRSA6AJ-102W	MG RESISTOR	1kΩ 1/16W J	

△ Symbol No.	Part No.	Part Name	Description	Local	△ Symbol No.	Part No.	Part Name	Description	Local
R312	NRSA6AJ-102W	MG RESISTOR	1kΩ 1/16W J		R437	NRSA6AJ-470W	MG RESISTOR	47Ω 1/16W J	
R321	NRSA6AJ-222W	MG RESISTOR	2.2kΩ 1/16W J		R439	NRSA63J-101X	MG RESISTOR	100Ω 1/16W J	
R322	NRSA6AJ-821W	MG RESISTOR	820Ω 1/16W J		R441	NRSA6AJ-102W	MG RESISTOR	1kΩ 1/16W J	
R323	NRSA6AJ-101W	MG RESISTOR	100Ω 1/16W J		R446	NRSA63J-472X	MG RESISTOR	4.7kΩ 1/16W J	
R331	NRSA6AJ-222W	MG RESISTOR	2.2kΩ 1/16W J		R447	NRSA6AJ-0R0W	MG RESISTOR	0Ω 1/16W J	
R332	NRSA6AJ-821W	MG RESISTOR	820Ω 1/16W J		R448	NRSA6AJ-473W	MG RESISTOR	47kΩ 1/16W J	
R333	NRSA6AJ-101W	MG RESISTOR	100Ω 1/16W J		R452	NRSA63J-103X	MG RESISTOR	10kΩ 1/16W J	
R341	NRSA6AJ-222W	MG RESISTOR	2.2kΩ 1/16W J		R453	NRSA6AJ-103W	MG RESISTOR	10kΩ 1/16W J	
R342	NRSA6AJ-821W	MG RESISTOR	820Ω 1/16W J		R470	NRSA6AJ-202W	MG RESISTOR	2kΩ 1/16W J	
R343	NRSA6AJ-101W	MG RESISTOR	100Ω 1/16W J		R471	NRSA6AJ-153W	MG RESISTOR	15kΩ 1/16W J	
R351	NRSA6AJ-222W	MG RESISTOR	2.2kΩ 1/16W J		R472	NRSA6AJ-103W	MG RESISTOR	10kΩ 1/16W J	
R352	NRSA6AJ-821W	MG RESISTOR	820Ω 1/16W J		R473	NRSA6AJ-103W	MG RESISTOR	10kΩ 1/16W J	
R353	NRSA6AJ-101W	MG RESISTOR	100Ω 1/16W J		R474	NRSA6AJ-153W	MG RESISTOR	15kΩ 1/16W J	
R361	NRSA6AJ-333W	MG RESISTOR	33kΩ 1/16W J	A805J	R475	NRSA6AJ-153W	MG RESISTOR	15kΩ 1/16W J	
R362	NRSA6AJ-223W	MG RESISTOR	22kΩ 1/16W J	A805J	R476	NRSA6AJ-153W	MG RESISTOR	15kΩ 1/16W J	
R363	NRSA6AJ-473W	MG RESISTOR	47kΩ 1/16W J		R477	NRSA6AJ-153W	MG RESISTOR	15kΩ 1/16W J	
R365	NRSA6AJ-333W	MG RESISTOR	33kΩ 1/16W J	A805J	R478	NRSA6AJ-153W	MG RESISTOR	15kΩ 1/16W J	
R366	NRSA6AJ-223W	MG RESISTOR	22kΩ 1/16W J	A805J	R479	NRSA6AJ-202W	MG RESISTOR	2kΩ 1/16W J	
R367	NRSA6AJ-473W	MG RESISTOR	47kΩ 1/16W J		R480	NRSA6AJ-0R0W	MG RESISTOR	0Ω 1/16W J	
R371	NRSA63J-0R0X	MG RESISTOR	0Ω 1/10W J	R800J, R801E, R801EX, R801EY, R801EU, R805U, R805UT, R807EE	R481	NRSA6AJ-0R0W	MG RESISTOR	0Ω 1/16W J	
					R482	NRSA6AJ-0R0W	MG RESISTOR	0Ω 1/16W J	
					R483	NRSA6AJ-103W	MG RESISTOR	10kΩ 1/16W J	
					R484	NRSA6AJ-103W	MG RESISTOR	10kΩ 1/16W J	
					R490	NRS181J-0R0X	MG RESISTOR	0Ω 1/8W J	
					R491	NRSA6AJ-330W	MG RESISTOR	33Ω 1/16W J	
					R492	NRSA6AJ-330W	MG RESISTOR	33Ω 1/16W J	
R372	NRSA6AJ-0R0W	MG RESISTOR	0Ω 1/16W J	R800J, R801E, R801EX, R801EY, R801EU, R805U, R805UT, R807EE	R498	NRSA6AJ-330W	MG RESISTOR	33Ω 1/16W J	
					R499	NRSA6AJ-330W	MG RESISTOR	33Ω 1/16W J	
					R501	NRSA6AJ-103W	MG RESISTOR	10kΩ 1/16W J	
					R502	NRSA6AJ-104W	MG RESISTOR	100kΩ 1/16W J	
					R503	NRSA6AJ-0R0W	MG RESISTOR	0Ω 1/16W J	
					R504	NRSA6AJ-0R0W	MG RESISTOR	0Ω 1/16W J	
					R505	NRSA6AJ-303W	MG RESISTOR	30kΩ 1/16W J	
R373	NRSA63J-0R0X	MG RESISTOR	0Ω 1/10W J	R800J, R801E, R801EX, R801EY, R801EU, R805U, R805UT, R807EE	R506	NRSA6AJ-393W	MG RESISTOR	39kΩ 1/16W J	
					R507	NRSA6AJ-472W	MG RESISTOR	4.7kΩ 1/16W J	
					R508	NRSA6AJ-102W	MG RESISTOR	1kΩ 1/16W J	
					R509	NRSA6AJ-102W	MG RESISTOR	1kΩ 1/16W J	
					R510	NRSA6AJ-332W	MG RESISTOR	3.3kΩ 1/16W J	
					R511	NRSA6AJ-332W	MG RESISTOR	3.3kΩ 1/16W J	
					R512	NRSA6AJ-473W	MG RESISTOR	47kΩ 1/16W J	
					R513	NRSA63J-4R7X	MG RESISTOR	4.7Ω 1/16W J	
					R514	NRSA6AJ-151W	MG RESISTOR	150Ω 1/16W J	
					R515	NRSA6AJ-823W	MG RESISTOR	82kΩ 1/16W J	
					R516	NRSA6AJ-821W	MG RESISTOR	820Ω 1/16W J	
					R517	NRSA6AJ-331W	MG RESISTOR	330Ω 1/16W J	
					R518	NRSA6AJ-331W	MG RESISTOR	330Ω 1/16W J	
					R519	NRSA6AJ-331W	MG RESISTOR	330Ω 1/16W J	
					R520	NRSA6AJ-331W	MG RESISTOR	330Ω 1/16W J	
					R521	NRSA6AJ-331W	MG RESISTOR	330Ω 1/16W J	
					R522	NRSA6AJ-102W	MG RESISTOR	1kΩ 1/16W J	
					R523	NRSA63J-0R0X	MG RESISTOR	0Ω 1/10W J	
					R524	NRSA6AJ-0R0W	MG RESISTOR	0Ω 1/16W J	
					R526	NRSA6AJ-0R0W	MG RESISTOR	0Ω 1/16W J	A805J, R800J, R805UT
R381	NRSA6AJ-333W	MG RESISTOR	33kΩ 1/16W J	A805J	R541	NRS181J-220X	MG RESISTOR	22Ω 1/8W J	
R382	NRSA6AJ-223W	MG RESISTOR	22kΩ 1/16W J	A805J	R542	NRS181J-220X	MG RESISTOR	22Ω 1/8W J	
R383	NRSA6AJ-473W	MG RESISTOR	47kΩ 1/16W J		R543	NRSA6AJ-512W	MG RESISTOR	5.1kΩ 1/16W J	
R385	NRSA6AJ-333W	MG RESISTOR	33kΩ 1/16W J	A805J	R544	NRSA6AJ-822W	MG RESISTOR	8.2kΩ 1/16W J	
R386	NRSA6AJ-223W	MG RESISTOR	22kΩ 1/16W J	A805J	R545	NRSA6AJ-103W	MG RESISTOR	10kΩ 1/16W J	
R387	NRSA6AJ-473W	MG RESISTOR	47kΩ 1/16W J		R546	NRSA6AJ-113W	MG RESISTOR	11kΩ 1/16W J	
R403	NRSA6AJ-680W	MG RESISTOR	68Ω 1/16W J		R547	NRSA6AJ-562W	MG RESISTOR	5.6kΩ 1/16W J	
R404	NRSA6AJ-472W	MG RESISTOR	4.7kΩ 1/16W J		R548	NRSA6AJ-153W	MG RESISTOR	15kΩ 1/16W J	
R405	NRSA63J-472X	MG RESISTOR	4.7kΩ 1/16W J		R549	NRSA6AJ-153W	MG RESISTOR	15kΩ 1/16W J	
R406	NRSA6AJ-472W	MG RESISTOR	4.7kΩ 1/16W J		R551	NRSA6AJ-562W	MG RESISTOR	5.6kΩ 1/16W J	
R407	NRSA6AJ-680W	MG RESISTOR	68Ω 1/16W J		R552	NRSA6AJ-103W	MG RESISTOR	10kΩ 1/16W J	
R408	NRSA6AJ-680W	MG RESISTOR	68Ω 1/16W J		R553	NRSA6AJ-332W	MG RESISTOR	3.3kΩ 1/16W J	
R409	NRSA6AJ-680W	MG RESISTOR	68Ω 1/16W J		R554	NRSA6AJ-473W	MG RESISTOR	47kΩ 1/16W J	
R410	NRSA63J-0R0X	MG RESISTOR	0Ω 1/10W J		R555	NRSA6AJ-562W	MG RESISTOR	5.6kΩ 1/16W J	
R411	NRSA6AJ-152W	MG RESISTOR	1.5kΩ 1/16W J		R556	NRSA6AJ-153W	MG RESISTOR	15kΩ 1/16W J	
R412	NRSA6AJ-105W	MG RESISTOR	1MΩ 1/16W J		R557	NRSA6AJ-273W	MG RESISTOR	27kΩ 1/16W J	
R413	NRSA6AJ-271W	MG RESISTOR	270Ω 1/16W J		R558	NRSA6AJ-0R0W	MG RESISTOR	0Ω 1/16W J	
R414	NRSA63J-271X	MG RESISTOR	270Ω 1/16W J		R560	NRSA6AJ-0R0W	MG RESISTOR	0Ω 1/16W J	
R416	NRSA63J-0R0X	MG RESISTOR	0Ω 1/10W J		R561	NRSA6AJ-104W	MG RESISTOR	100kΩ 1/16W J	
R417	NRSA6AJ-222W	MG RESISTOR	2.2kΩ 1/16W J		R562	NRSA6AJ-203W	MG RESISTOR	20kΩ 1/16W J	
R418	NRSA6AJ-222W	MG RESISTOR	2.2kΩ 1/16W J		R563	NRSA6AJ-153W	MG RESISTOR	15kΩ 1/16W J	
R419	NRSA6AJ-223W	MG RESISTOR	22kΩ 1/16W J		R564	NRSA6AJ-102W	MG RESISTOR	1kΩ 1/16W J	
R420	NRSA6AJ-223W	MG RESISTOR	22kΩ 1/16W J		R580	NRSA02J-100X	MG RESISTOR	10Ω 1/10W J	
R421	NRSA6AJ-472W	MG RESISTOR	4.7kΩ 1/16W J						
R426	NRSA6AJ-0R0W	MG RESISTOR	0Ω 1/16W J						
R427	NRSA6AJ-103W	MG RESISTOR	10kΩ 1/16W J						
R428	NRSA6AJ-0R0W	MG RESISTOR	0Ω 1/16W J						
R434	NRSA63J-470X	MG RESISTOR	47Ω 1/16W J						
R435	NRSA63J-472X	MG RESISTOR	4.7kΩ 1/16W J						
R436	NRSA6AJ-470W	MG RESISTOR	47Ω 1/16W J						

△ Symbol No.	Part No.	Part Name	Description	Local	△ Symbol No.	Part No.	Part Name	Description	Local
R583	NRSA6AJ-243W	MG RESISTOR	24kΩ 1/16W J		R751	NRSA6AJ-103W	MG RESISTOR	10kΩ 1/16W J	
R585	NRSA6AJ-273W	MG RESISTOR	27kΩ 1/16W J		R752	NRSA6AJ-472W	MG RESISTOR	4.7kΩ 1/16W J	
R586	NRSA6AJ-822W	MG RESISTOR	8.2kΩ 1/16W J		R753	NRSA6AJ-473W	MG RESISTOR	47kΩ 1/16W J	
R587	NRSA6AJ-103W	MG RESISTOR	10kΩ 1/16W J		R754	NRSA6AJ-0R0W	MG RESISTOR	0Ω 1/16W J	
R588	NRSA6AJ-103W	MG RESISTOR	10kΩ 1/16W J		R755	NRSA6AJ-106W	MG RESISTOR	10MΩ 1/16W J	
R589	NRSA6AJ-152W	MG RESISTOR	1.5kΩ 1/16W J		R756	NRSA6AJ-473W	MG RESISTOR	47kΩ 1/16W J	
R593	NRSA6AJ-243W	MG RESISTOR	24kΩ 1/16W J		R758	NRSA6AJ-473W	MG RESISTOR	47kΩ 1/16W J	
R595	NRSA6AJ-273W	MG RESISTOR	27kΩ 1/16W J		R759	NRSA6AJ-473W	MG RESISTOR	47kΩ 1/16W J	
R596	NRSA6AJ-822W	MG RESISTOR	8.2kΩ 1/16W J		R760	NRSA6AJ-393W	MG RESISTOR	39kΩ 1/16W J	
R597	NRSA6AJ-103W	MG RESISTOR	10kΩ 1/16W J		R761	NRSA6AJ-101W	MG RESISTOR	100Ω 1/16W J	
R598	NRSA6AJ-103W	MG RESISTOR	10kΩ 1/16W J		R762	NRSA6AJ-102W	MG RESISTOR	1kΩ 1/16W J	
R599	NRSA6AJ-152W	MG RESISTOR	1.5kΩ 1/16W J		R763	NRSA6AJ-102W	MG RESISTOR	1kΩ 1/16W J	
R701	NRSA6AJ-473W	MG RESISTOR	47kΩ 1/16W J		R764	NRSA6AJ-101W	MG RESISTOR	100Ω 1/16W J	
R702	NRSA6AJ-103W	MG RESISTOR	10kΩ 1/16W J		R766	NRSA6AJ-222W	MG RESISTOR	2.2kΩ 1/16W J	A805J, R801E, R801EX, R801EY, R801EU
R706	NRSA63J-103X	MG RESISTOR	10kΩ 1/16W J	A805J, R805U, R805UT					
R706	NRSA63J-473X	MG RESISTOR	47kΩ 1/16W J	R807EE					
R707	NRSA63J-103X	MG RESISTOR	10kΩ 1/16W J	A805J, R800J	R767	NRSA6AJ-223W	MG RESISTOR	22kΩ 1/16W J	A805J, R801E, R801EX, R801EY, R801EU
R707	NRSA63J-473X	MG RESISTOR	47kΩ 1/16W J	R801E, R801EX, R801EY, R801EU					
R708	NRSA6AJ-102W	MG RESISTOR	1kΩ 1/16W J		R768	NRSA6AJ-473W	MG RESISTOR	47kΩ 1/16W J	
R709	NRSA6AJ-123W	MG RESISTOR	12kΩ 1/16W J		R771	NRSA6AJ-271W	MG RESISTOR	270Ω 1/16W J	R801E, R801EX, R801EY, R801EU, R807EE
R714	NRSA6AJ-104W	MG RESISTOR	100kΩ 1/16W J						
R715	NRSA6AJ-473W	MG RESISTOR	47kΩ 1/16W J						
R717	NRSA6AJ-0R0W	MG RESISTOR	0Ω 1/16W J		R772	NRSA6AJ-271W	MG RESISTOR	270Ω 1/16W J	R801E, R801EX, R801EY, R801EU, R807EE
R718	NRSA6AJ-103W	MG RESISTOR	10kΩ 1/16W J						
R719	NRSA6AJ-0R0W	MG RESISTOR	0Ω 1/16W J						
R720	NRSA6AJ-222W	MG RESISTOR	2.2kΩ 1/16W J						
R721	NRSA6AJ-202W	MG RESISTOR	2kΩ 1/16W J						
R722	NRSA6AJ-223W	MG RESISTOR	22kΩ 1/16W J		R773	NRSA6AJ-203W	MG RESISTOR	20kΩ 1/16W J	R801E, R801EX, R801EY, R801EU, R807EE
R731	NRSA6AJ-102W	MG RESISTOR	1kΩ 1/16W J	A805J, R800J, R801E, R801EX, R801EY, R801EU, R805U, R805UT					
R733	NRSA6AJ-102W	MG RESISTOR	1kΩ 1/16W J		R776	NRSA6AJ-473W	MG RESISTOR	47kΩ 1/16W J	
R734	NRSA6AJ-392W	MG RESISTOR	3.9kΩ 1/16W J		R777	NRSA6AJ-473W	MG RESISTOR	47kΩ 1/16W J	
R735	NRSA6AJ-392W	MG RESISTOR	3.9kΩ 1/16W J		R778	NRSA6AJ-473W	MG RESISTOR	47kΩ 1/16W J	
R736	NRSA6AJ-392W	MG RESISTOR	3.9kΩ 1/16W J		R781	NRSA6AJ-473W	MG RESISTOR	47kΩ 1/16W J	
R737	NRSA6AJ-102W	MG RESISTOR	1kΩ 1/16W J	A805J, R800J, R801E, R801EX, R801EY, R801EU, R805U, R805UT	R782	NRSA6AJ-222W	MG RESISTOR	2.2kΩ 1/16W J	
					R783	NRSA6AJ-103W	MG RESISTOR	10kΩ 1/16W J	
					R788	NRSA6AJ-153W	MG RESISTOR	15kΩ 1/16W J	
					R791	NRSA6AJ-104W	MG RESISTOR	100kΩ 1/16W J	
					R792	NRSA6AJ-474W	MG RESISTOR	470kΩ 1/16W J	
					R795	NRSA6AJ-223W	MG RESISTOR	22kΩ 1/16W J	
					R801	NRSA6AJ-392W	MG RESISTOR	3.9kΩ 1/16W J	A805J, R800J, R801E, R801EX, R801EY, R801EU, R805U, R805UT
R738	NRSA6AJ-0R0W	MG RESISTOR	0Ω 1/16W J	A805J, R800J, R801E, R801EX, R801EY, R801EU, R805U, R805UT					
					R802	NRSA6AJ-103W	MG RESISTOR	10kΩ 1/16W J	A805J, R800J, R801E, R801EX, R801EY, R801EU, R805U, R805UT
R739	NRSA6AJ-472W	MG RESISTOR	4.7kΩ 1/16W J	A805J, R800J, R801E, R801EX, R801EY, R801EU, R805U, R805UT					
					R803	NRSA6AJ-682W	MG RESISTOR	6.8kΩ 1/16W J	A805J, R800J, R801E, R801EX, R801EY, R801EU, R805U, R805UT
R740	NRSA6AJ-472W	MG RESISTOR	4.7kΩ 1/16W J	A805J, R800J, R801E, R801EX, R801EY, R801EU, R805U, R805UT					
					R804	NRSA6AJ-101W	MG RESISTOR	100Ω 1/16W J	A805J, R800J, R801E, R801EX, R801EY, R801EU, R805U, R805UT
R743	NRSA6AJ-122W	MG RESISTOR	1.2kΩ 1/16W J						
R744	NRSA6AJ-222W	MG RESISTOR	2.2kΩ 1/16W J						
R745	NRSA6AJ-202W	MG RESISTOR	2kΩ 1/16W J						
R748	NRSA6AJ-473W	MG RESISTOR	47kΩ 1/16W J						
R749	NRSA6AJ-473W	MG RESISTOR	47kΩ 1/16W J						

△ Symbol No.	Part No.	Part Name	Description	Local	△ Symbol No.	Part No.	Part Name	Description	Local
R805	NRSA6AJ-473W	MG RESISTOR	47kΩ 1/16W J	A805J, R800J, R801E, R801EX, R801EY, R801EU, R805U, R805UT	R943	NRS181J-100X	MG RESISTOR	10Ω 1/8W J	
R806	NRSA6AJ-104W	MG RESISTOR	100kΩ 1/16W J	A805J, R800J, R801E, R801EX, R801EY, R801EU, R805U, R805UT	R944	NRSA6AD-103W	MG RESISTOR	10kΩ 1/16W D	
R807	NRSA6AJ-101W	MG RESISTOR	100Ω 1/16W J	A805J, R800J, R801E, R801EX, R801EY, R801EU, R805U, R805UT	R945	NRSA6AD-152W	MG RESISTOR	1.5kΩ 1/16W D	
R808	NRSA6AJ-473W	MG RESISTOR	47kΩ 1/16W J	A805J, R800J, R801E, R801EX, R801EY, R801EU, R805U, R805UT	R946	NRSA6AJ-202W	MG RESISTOR	2kΩ 1/16W J	
R809	NRSA6AJ-682W	MG RESISTOR	6.8kΩ 1/16W J	A805J, R800J, R801E, R801EX, R801EY, R801EU, R805U, R805UT	R947	NRSA6AJ-102W	MG RESISTOR	1kΩ 1/16W J	
R810	NRSA6AJ-104W	MG RESISTOR	100kΩ 1/16W J	A805J, R800J, R801E, R801EX, R801EY, R801EU, R805U, R805UT	R948	NRSA63J-244X	MG RESISTOR	240kΩ 1/16W J	
R811	NRSA6AJ-103W	MG RESISTOR	10kΩ 1/16W J	A805J, R800J, R801E, R801EX, R801EY, R801EU, R805U, R805UT	R971	NRS181J-222X	MG RESISTOR	2.2kΩ 1/8W J	
R812	NRSA6AJ-392W	MG RESISTOR	3.9kΩ 1/16W J	A805J, R800J, R801E, R801EX, R801EY, R801EU, R805U, R805UT	R972	NRS181J-222X	MG RESISTOR	2.2kΩ 1/8W J	
R814	NRSA6AJ-0R0W	MG RESISTOR	0Ω 1/16W J	A805J, R800J, R801E, R801EX, R801EY, R801EU, R805U, R805UT	R976	NRSA02J-273X	MG RESISTOR	27kΩ 1/10W J	
R841	NRSA6AJ-332W	MG RESISTOR	3.3kΩ 1/16W J	A805J, R800J, R801E, R801EX, R801EY, R801EU, R805U, R805UT	R977	NRSA02J-123X	MG RESISTOR	12kΩ 1/10W J	
R851	NRSA6AJ-103W	MG RESISTOR	10kΩ 1/16W J	R805U, R805UT	R991	NRSA63J-0R0X	MG RESISTOR	0Ω 1/10W J	
R881	NRSA6AJ-473W	MG RESISTOR	47kΩ 1/16W J		R5001	NRS181J-101X	MG RESISTOR	100Ω 1/8W J	
R882	NRSA6AJ-472W	MG RESISTOR	4.7kΩ 1/16W J		R5007	NRSA6AJ-0R0W	MG RESISTOR	0Ω 1/16W J	
R901	QRE142J-102X	C RESISTOR	1kΩ 1/4W J		R5008	NRSA6AJ-0R0W	MG RESISTOR	0Ω 1/16W J	
R902	NRSA02J-912X	MG RESISTOR	9.1kΩ 1/10W J		R5009	NRSA6AJ-0R0W	MG RESISTOR	0Ω 1/16W J	
R903	NRSA02J-472X	MG RESISTOR	4.7kΩ 1/10W J		R5010	NRSA6AJ-101W	MG RESISTOR	100Ω 1/16W J	
R924	NRSA6AJ-0R0W	MG RESISTOR	0Ω 1/16W J		R5011	NRSA6AJ-101W	MG RESISTOR	100Ω 1/16W J	
R933	NRSA6AJ-0R0W	MG RESISTOR	0Ω 1/16W J		R5012	NRSA6AJ-101W	MG RESISTOR	100Ω 1/16W J	
R934	NRSA6AJ-0R0W	MG RESISTOR	0Ω 1/16W J		R5013	NRSA6AJ-101W	MG RESISTOR	100Ω 1/16W J	
R940	NRSA6AJ-0R0W	MG RESISTOR	0Ω 1/16W J		R5015	NRSA6AJ-0R0W	MG RESISTOR	0Ω 1/16W J	
R941	NRSA6AJ-123W	MG RESISTOR	12kΩ 1/16W J		RA401	NRZ0065-472X	MG RESISTOR	4.7kΩ	
R942	NRS181J-100X	MG RESISTOR	10Ω 1/8W J		RA405	NRZ0034-680W	NET RESISTOR	68Ω 1/32W J x4	
					RA406	NRZ0034-680W	NET RESISTOR	68Ω 1/32W J x4	
					RA407	NRZ0034-680W	NET RESISTOR	68Ω 1/32W J x4	
					L1	NQL093K-R47X	COIL	0.47uH K	
					L2	NQL093K-1R8X	COIL	1.8uH K	
					L3	NQL093K-R22X	COIL	0.22uH K	
					L4	QQR1813-001	COIL		
					L5	NQL114K-561X	P COIL	560uH K	
					L6	NQL114K-561X	P COIL	560uH K	
					L7	NQL79GM-4R7X	COIL	4.7uH M	
					L8	NQL093K-4R7X	COIL	4.7uH K	
					L31	NQL093K-R47X	COIL	0.47uH K	
					L401	NQL79GM-330X	COIL	33uH M	
					L402	NRSA63J-470X	MG RESISTOR	47Ω 1/16W J	
					L403	NRSA63J-470X	MG RESISTOR	47Ω 1/16W J	
					L407	NRSA63J-470X	MG RESISTOR	47Ω 1/16W J	
					L408	NRSA63J-470X	MG RESISTOR	47Ω 1/16W J	
					L436	NQL093K-R12X	COIL	0.12uH K	
					L437	NQL093K-R12X	COIL	0.12uH K	
					L438	NQL093K-1R8X	COIL	1.8uH K	
					L472	NQR0536-001X	CHOKE COIL		
					L501	NQL79GM-4R7X	COIL	4.7uH M	
					L504	NQL093K-1R8X	COIL	1.8uH K	A805J, R800J, R805UT R801E, R801EX, R801EY, R801EU, R805U, R807EE
					L504	NRSA63J-151X	MG RESISTOR	150Ω 1/16W J	
					L701	NQL79GM-4R7X	COIL	4.7uH M	
					L702	NQL79GM-4R7X	COIL	4.7uH M	
					L703	NQL79GM-470X	COIL	47uH M	
					L720	NQR0007-002X	FERRITE BEADS		
					L721	NQR0007-002X	FERRITE BEADS		
					L722	NQR0007-002X	FERRITE BEADS		
					L901	QQR1809-001	CHOKE COIL		
					L932	NQLE74M-100X	COIL	10uH M	
					L941	NQL71EM-220X	COIL	22uH M	
					L5002	NQL79GM-470X	COIL	47uH M	
					BZ841	QAN0023-001Z	BUZZER		
					CN202	QGA2001C1-02	CONNECTOR	W-B (1-2)	
					CN472	QGA2001C1-05	CONNECTOR	W-B (1-5)	
					CN501	QGB2027MD-22	CONNECTOR	B-B (1-22)	
					CN701	QGZ1101J1-24	CONNECTOR	(1-24)	
					CN702	QNS0283-001	STEERING REMOTE		A805J, R801E, R801EX, R801EY, R801EU
					CN901	QNZ0607-001	CAR CONNECTOR		
					F971	NRSA63J-0R0X	MG RESISTOR	0Ω 1/10W J	
					J1	QNB0190-001	ANT TERMINAL		
					J321	QNN0839-001	PIN JACK		A805J

△ Symbol No.	Part No.	Part Name	Description	Local
J321	QNN0837-001	PIN JACK		R800J, R801E, R801EX, R801EY, R801EU, R805U, R805UT, R807EE
J801	QNZ0095-001	CONNECTOR		A805J, R800J, R801E, R801EX, R801EY, R801EU, R805U, R805UT
K441	NQR0502-001X	FERRITE BEADS		
PP1	QZW0010-001	STYLE PIN		
PP2	QZW0010-001	STYLE PIN		
PP3	QZW0010-001	STYLE PIN		
PP4	QZW0010-001	STYLE PIN		
S703	QSW0648-001Z	TACT SWITCH		
X11	QAX0928-001Z	CRYSTAL		
X71	QAX0926-001Z	CRYSTAL		R801E, R801EX, R801EY, R801EU, R807EE
X402	NAX0975-001X	CRYSTAL		
X501	QAX0893-001Z	CRYSTAL		
X701	QAX0916-001Z	CRYSTAL		
X702	QAX0401-001	CRYSTAL	32.768KHz	

△ Symbol No.	Part No.	Part Name	Description	Local
C601	NCB31EK-473X	C CAPACITOR	0.047uF 25V K	
C604	NCB31EK-473X	C CAPACITOR	0.047uF 25V K	
C605	NCB31EK-473X	C CAPACITOR	0.047uF 25V K	
C606	NCB31EK-473X	C CAPACITOR	0.047uF 25V K	
C607	NCB20JK-106X	C CAPACITOR	10uF 6.3V K	
C612	NBE21CM-106X	TA E CAPACITOR	10uF 16V M	
C614	NCB31CK-105X	C CAPACITOR	1uF 16V K	
C616	NCB31CK-104X	C CAPACITOR	0.1uF 16V K	
C624	NBE20JM-106X	TA E CAPACITOR	10uF 6.3V M	
C630	NCB31EK-473X	C CAPACITOR	0.047uF 25V K	
C631	NCB20JK-475X	C CAPACITOR	4.7uF 6.3V K	
C632	NCB31CK-104X	C CAPACITOR	0.1uF 16V K	
C649	NCJ31CK-105X-A	C CAPACITOR	1uF 16V K	
C651	NCB20JK-475X	C CAPACITOR	4.7uF 6.3V K	
C653	NCJ31CK-105X-A	C CAPACITOR	1uF 16V K	
C654	NCJ31CK-105X-A	C CAPACITOR	1uF 16V K	
C655	NCJ31CK-105X-A	C CAPACITOR	1uF 16V K	
C656	NCB11EM-105X	C CAPACITOR	1uF 25V M	
C657	NCJ31CK-105X-A	C CAPACITOR	1uF 16V K	
C658	NCB11EM-105X	C CAPACITOR	1uF 25V M	
C659	NCJ31CK-105X-A	C CAPACITOR	1uF 16V K	
C660	NCJ31CK-105X-A	C CAPACITOR	1uF 16V K	
C661	NCJ31CK-105X-A	C CAPACITOR	1uF 16V K	
C662	NCJ31CK-105X-A	C CAPACITOR	1uF 16V K	
C663	NCJ31CK-105X-A	C CAPACITOR	1uF 16V K	
C664	NCB31CK-104X	C CAPACITOR	0.1uF 16V K	
C682	NCB31EK-104X	C CAPACITOR	0.1uF 25V K	
C688	NCJ11EK-106X-R	C CAPACITOR	10uF 25V	

## Switch board

Block No. [0][2]

△ Symbol No.	Part No.	Part Name	Description	Local
IC601	NCP5623DTBR2G-X	IC		
IC602	S-80824CNNB-G-W	IC		
IC602	or IC-PST3424U-X	IC		
IC661	JES1541	IC(PROGRAMED)		
IC681	NJL29H380A	REMOCON RCV		
Q601	ISA1530AC1/QR/X	TRANSISTOR		
Q601	or 2SA2077-X	TRANSISTOR		
Q602	ISA1530AC1/QR/X	TRANSISTOR		
Q602	or 2SA2077-X	TRANSISTOR		
Q603	2SC3928A/QR/-X	TRANSISTOR		
Q603	or 2SC5845-X	TRANSISTOR		
Q604	2SA2174G-X	TRANSISTOR		
Q605	UN2222-X	IC		
Q606	2SA2174G-X	TRANSISTOR		
Q607	UN2222-X	IC		
Q608	2SA2174G-X	TRANSISTOR		
Q609	UN2222-X	IC		
Q610	UNR9211G-X	TRANSISTOR		
D602	NSSM065T-X	LED		
D603	NSSM065T-X	LED		
D604	LHQ974/LM/-X	LED		
D605	LHQ974/LM/-X	LED		
D606	LHQ974/LM/-X	LED		
D608	NSSM065T-X	LED		
D609	NSSM065T-X	LED		
D618	MA8056/M/-X	Z DIODE		
D618	or UDZW5.6B-X	Z DIODE		
D624	MA111-X	SI DIODE		
D624	or 1SS355W-X	DIODE		
D625	MA8051/M/-X	Z DIODE		
D625	or UDZW5.1B-X	SB DIODE		
D626	MA8051/M/-X	Z DIODE		
D626	or UDZW5.1B-X	SB DIODE		
D630	MC2838-X	DIODE		
D630	or MA152WK-X	SI DIODE		

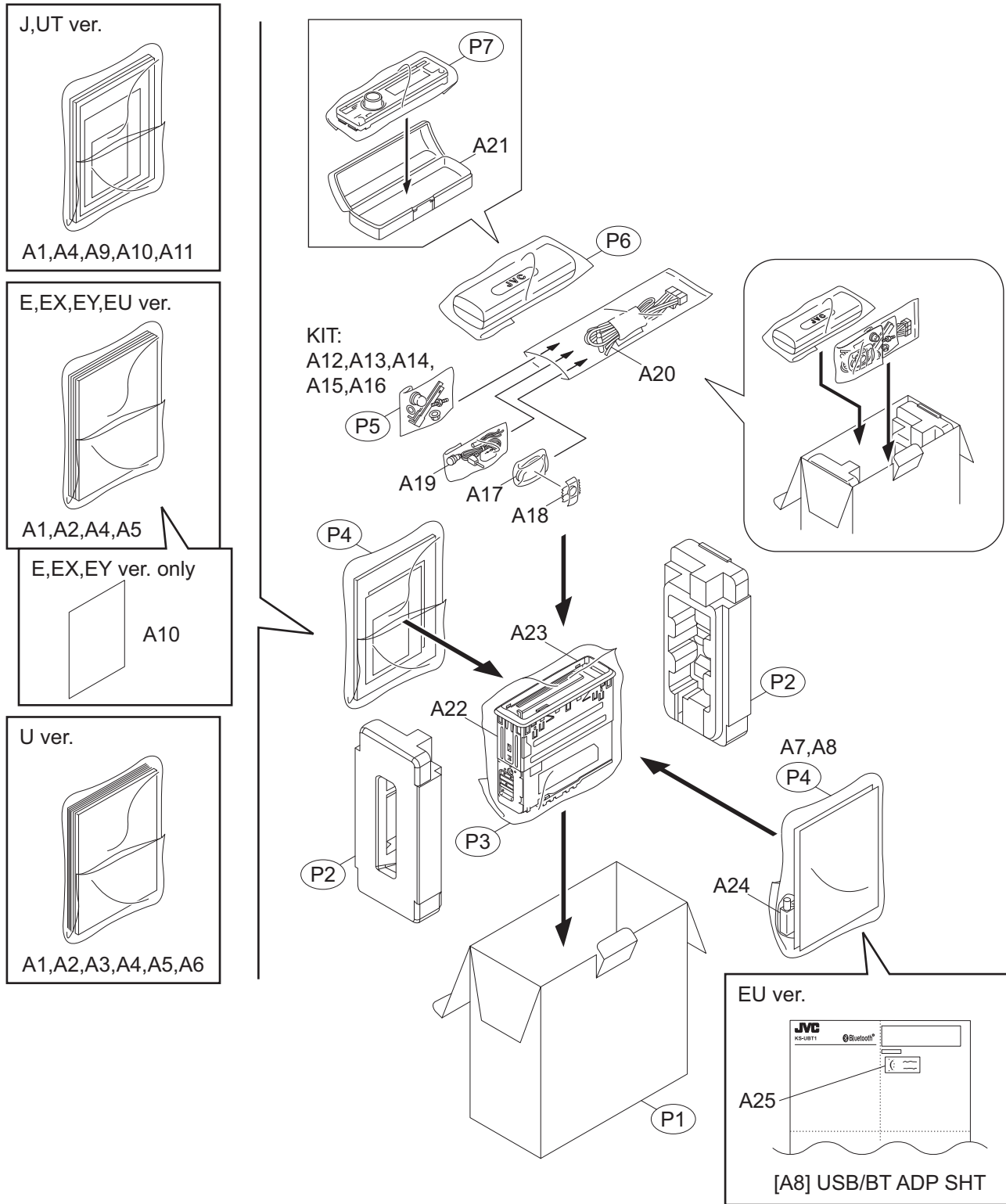
R601	NRSA63J-472X	MG RESISTOR	4.7kΩ 1/16W J
R602	NRSA63J-681X	MG RESISTOR	680Ω 1/16W J
R603	NRSA63J-681X	MG RESISTOR	680Ω 1/16W J
R604	NRSA63J-102X	MG RESISTOR	1kΩ 1/16W J
R605	NRSA63J-102X	MG RESISTOR	1kΩ 1/16W J
R606	NRSA63J-103X	MG RESISTOR	10kΩ 1/16W J
R607	NRSA63J-473X	MG RESISTOR	47kΩ 1/16W J
R608	NRSA63J-473X	MG RESISTOR	47kΩ 1/16W J
R609	NRSA63J-222X	MG RESISTOR	2.2kΩ 1/16W J
R610	NRSA63J-680X	MG RESISTOR	68Ω 1/16W J
R611	NRSA63J-103X	MG RESISTOR	10kΩ 1/16W J
R612	NRSA63J-331X	MG RESISTOR	330Ω 1/16W J
R613	NRSA63J-103X	MG RESISTOR	10kΩ 1/16W J
R614	NRSA63J-472X	MG RESISTOR	4.7kΩ 1/16W J
R615	NRSA63J-153X	MG RESISTOR	15kΩ 1/16W J
R616	NRSA63J-103X	MG RESISTOR	10kΩ 1/16W J
R617	NRSA63J-103X	MG RESISTOR	10kΩ 1/16W J
R618	NRSA63J-331X	MG RESISTOR	330Ω 1/16W J
R619	NRSA63J-331X	MG RESISTOR	330Ω 1/16W J
R620	NRSA63J-331X	MG RESISTOR	330Ω 1/16W J
R621	NRSA63J-331X	MG RESISTOR	330Ω 1/16W J
R622	NRSA63J-102X	MG RESISTOR	1kΩ 1/16W J
R624	NRSA63J-103X	MG RESISTOR	10kΩ 1/16W J
R625	NRSA63J-103X	MG RESISTOR	10kΩ 1/16W J
R626	NRSA63J-472X	MG RESISTOR	4.7kΩ 1/16W J
R627	NRSA63J-472X	MG RESISTOR	4.7kΩ 1/16W J
R628	NRSA63J-103X	MG RESISTOR	10kΩ 1/16W J
R629	NRSA63J-0R0X	MG RESISTOR	0Ω 1/10W J
R632	NRSA63J-103X	MG RESISTOR	10kΩ 1/16W J
R633	NRSA63J-0R0X	MG RESISTOR	0Ω 1/10W J
R634	NRSA63J-473X	MG RESISTOR	47kΩ 1/16W J
R635	NRSA63J-222X	MG RESISTOR	2.2kΩ 1/16W J
R637	NRSA63J-0R0X	MG RESISTOR	0Ω 1/10W J
R647	NRSA63J-122X	MG RESISTOR	1.2kΩ 1/16W J
R648	NRSA63J-911X	MG RESISTOR	910Ω 1/16W J
R649	NRSA63J-911X	MG RESISTOR	910Ω 1/16W J
R650	NRSA63J-122X	MG RESISTOR	1.2kΩ 1/16W J
R651	NRSA63J-122X	MG RESISTOR	1.2kΩ 1/16W J
R652	NRSA63J-162X	MG RESISTOR	1.6kΩ 1/16W J
R653	NRS181J-621X	MG RESISTOR	620Ω 1/8W J
R654	NRS181J-331X	MG RESISTOR	330Ω 1/8W J
R655	NRS181J-331X	MG RESISTOR	330Ω 1/8W J
R657	NRSA63J-222X	MG RESISTOR	2.2kΩ 1/16W J
R658	NRSA63J-222X	MG RESISTOR	2.2kΩ 1/16W J
R659	NRSA63J-222X	MG RESISTOR	2.2kΩ 1/16W J
R661	NRSA63J-821X	MG RESISTOR	820Ω 1/16W J
R662	NRSA63J-821X	MG RESISTOR	820Ω 1/16W J
R663	NRSA63J-122X	MG RESISTOR	1.2kΩ 1/16W J
R664	NRSA63J-182X	MG RESISTOR	1.8kΩ 1/16W J

△ Symbol No.	Part No.	Part Name	Description	Local
R665	NRSA63J-272X	MG RESISTOR	2.7kΩ 1/16W J	
R666	NRSA63J-392X	MG RESISTOR	3.9kΩ 1/16W J	
R667	NRSA63J-821X	MG RESISTOR	820Ω 1/16W J	
R668	NRSA63J-821X	MG RESISTOR	820Ω 1/16W J	
R669	NRSA63J-122X	MG RESISTOR	1.2kΩ 1/16W J	
R670	NRSA63J-182X	MG RESISTOR	1.8kΩ 1/16W J	
R671	NRSA63J-272X	MG RESISTOR	2.7kΩ 1/16W J	
R673	NRSA63J-0R0X	MG RESISTOR	0Ω 1/10W J	
R677	NRSA63J-681X	MG RESISTOR	680Ω 1/16W J	
R680	NRSA63J-102X	MG RESISTOR	1kΩ 1/16W J	
R681	NRSA63J-392X	MG RESISTOR	3.9kΩ 1/16W J	
R682	NRSA63J-103X	MG RESISTOR	10kΩ 1/16W J	
R686	NRSA63J-471X	MG RESISTOR	470Ω 1/16W J	
R687	NRSA63J-471X	MG RESISTOR	470Ω 1/16W J	
R689	NRSA63J-271X	MG RESISTOR	270Ω 1/16W J	
R691	NRSA63F-154X	MG RESISTOR	150kΩ 1/16W F	
R692	NRSA63J-101X	MG RESISTOR	100Ω 1/16W J	
R693	NRSA63J-0R0X	MG RESISTOR	0Ω 1/10W J	
R694	NRSA63J-473X	MG RESISTOR	47kΩ 1/16W J	
R695	NRSA63J-473X	MG RESISTOR	47kΩ 1/16W J	
R696	NRSA63J-474X	MG RESISTOR	470kΩ 1/16W J	
R697	NRSA63J-101X	MG RESISTOR	100Ω 1/16W J	
RA601	NRZ0065-472X	MG RESISTOR	4.7kΩ	
RA602	NRZ0065-472X	MG RESISTOR	4.7kΩ	
RA603	NRZ0065-472X	MG RESISTOR	4.7kΩ	
RA604	NRZ0065-331X	NET RESISTOR	330Ω	
RA605	NRZ0065-331X	NET RESISTOR	330Ω	
L601	NQL79GM-470X	COIL	47uH M	
L602	NQR0536-001X	CHOKO COIL		
CJ601	QGZ1101K1-24	CONNECTOR	(1-24)	
CN602	QGF0522F3-33W	CONNECTOR	FFC/FPC (1-33)	
CN603	QNZ1006-001	USB JACK		
J601	QNS0215-001	3.5 JACK		
JS686	QSW1263-001	ROTARY ENCODER		
S601	NSW0124-001X	TACT SW		
S602	NSW0316-001X	TACT SWITCH		
S603	NSW0316-001X	TACT SWITCH		
S604	NSW0316-001X	TACT SWITCH		
S605	NSW0316-001X	TACT SWITCH		
S606	NSW0316-001X	TACT SWITCH		
S607	NSW0316-001X	TACT SWITCH		
S608	NSW0316-001X	TACT SWITCH		
S609	NSW0316-001X	TACT SWITCH		
S610	NSW0316-001X	TACT SWITCH		
S611	NSW0316-001X	TACT SWITCH		
S612	NSW0316-001X	TACT SWITCH		
X601	NAX0752-001X	RESONATOR		

# Packing materials and accessories parts list

Block No. M 3 M M

No additional / supplemental order of WARRANTY CARDS are available.



The parts without symbol number are not service.

# Packing and Accessories

Block No. [M][3][M][M]

△	Symbol No.	Part No.	Part Name	Description	Local
	A 1	GET0598-001A	INST BOOK	ENG FRE SPA	A805J,R800J
	A 1	GET0600-001A	INST BOOK	GER FRE ITA	R801E
	A 1	GET0600-003A	INST BOOK	ENG FRE	R801EX,R801EU
	A 1	GET0600-006A	INST BOOK	ENG GER RUS GRE	R801EY
	A 1	GET0599-001A	INST BOOK	ENG THA	R805U
	A 1	GET0599-005A	INST BOOK	ENG CHI(TAIWAN)	R805UT
	A 1	GET0601-001A	INST BOOK	ENG RUS UKR	R807EE
	A 2	GET0600-002A	INST BOOK	SPA POR	R801E
	A 2	GET0600-004A	INST BOOK	DUT SWE DAN FIN	R801EX
	A 2	GET0600-007A	INST BOOK	POL CZE HUN	R801EY
	A 2	GET0600-005A	INST BOOK	SPA RUS TUR PER	R801EU
	A 2	GET0599-002A	INST BOOK	CHI(TAIWAN) ARA PER KOR	R805U
	A 3	GET0599-003A	INST BOOK	RUS	R805U
	A 4	GET0598-002A	INSTALL MANUAL	ENG FRE SPA	A805J,R800J
	A 4	GET0600-008A	INSTALL MANUAL	GER FRE ITA	R801E
	A 4	GET0600-010A	INSTALL MANUAL	ENG FRE	R801EX,R801EU
	A 4	GET0600-013A	INSTALL MANUAL	ENG GER RUS GRE	R801EY
	A 4	GET0599-006A	INSTALL MANUAL	ENG THA	R805U
	A 4	GET0599-010A	INSTALL MANUAL	ENG CHI(TAIWAN)	R805UT
	A 4	GET0601-002A	INSTALL MANUAL	ENG RUS UKR	R807EE
	A 5	GET0600-009A	INSTALL MANUAL	SPA POR	R801E
	A 5	GET0600-011A	INSTALL MANUAL	DUT SWE DAN FIN	R801EX
	A 5	GET0600-014A	INSTALL MANUAL	POL CZE HUN	R801EY
	A 5	GET0600-012A	INSTALL MANUAL	SPA RUS TUR PER	R801EU
	A 5	GET0599-007A	INSTALL MANUAL	CHI(TAIWAN) ARA PER KOR	R805U
	A 6	GET0599-008A	INSTALL MANUAL	RUS	R805U
	A 7	LVT1672-001A	INST SHEET		
	A 8	GET0617-001A	USB/BT ADP SHT		
	A 9	BT-51044-1	REGIS. CARD		A805J,R800J
	A 10	-----	WARRANTY CARD	BT-51029-3	A805J
	A 10	-----	WARRANTY CARD	BT-51018-6	R800J
	A 10	-----	WARRANTY CARD	BT-54038-1	R801E,R801EX,R801EY,R807EE
	A 11	-----	WARRANTY CARD	BT-52008-1	A805J,R800J
	A 12	VKZ4027-202	PLUG NUT		
	A 13	GE40426-002A	MOUNT BOLT		
	A 14	VKZ4328-003	LOCK NUT		
	A 15	QYWWS53A008ZA	WASHER	0mm/5.3mm x	
	A 16	GE40130-002A	HOOK	(x2)	
	A 17	RM-RK50C	REMOCON UNIT		
	A 18	-----	LITHIUM BATTERY		
	A 19	QAN0096-001	BT MIC		
	△	A 20	QAM1143-001	POWER CORD	A805J,R800J
	△	A 20	QAM1149-001	POWER CORD	R801E,R801EX,R801EY,R801EU,R807EE
		A 20	QAM1146-001	16P CORD ASSY	R805U,R805UT
		A 21	GE32320-001A	HARD CASE ASSY	
		A 22	GE20137-003A	MOUNTING SLEEVE	
		A 23	GE20235-001A	TRIM PLATE	A805J,R800J,R805U,R805UT
		A 23	GE20204-008A	TRIM PLATE	R801E,R801EX,R801EY,R801EU,R807EE
		A 24	QAU0526-001	RF MODULE	
		A 25	GE40476-001A	BT LABEL(1187)	R801EU
		KIT	SRW-MA372	SCREW PARTS KIT	A12 A13 A14 A15 A16
		P 1	GE33603-001A	CARTON	A805J
		P 1	GE33606-001A	CARTON	R800J
		P 1	GE33612-002A	CARTON	R801E,R801EX,R801EY,R801EU
		P 1	GE33609-001A	CARTON	R805U,R805UT
		P 1	GE33615-001A	CARTON	R807EE
		P 2	GE10237-001A	CUSHION	A805J,R800J,R805U,R805UT
		P 2	GE10238-001A	CUSHION	R801E,R801EX,R801EY,R801EU,R807EE
		P 3	QPC03004315PB	POLY BAG	30cm x 43cm
		P 4	FSPG4002-001	POLY BAG	(x2)
		P 5	QPA00801205	POLY BAG	8cm x 12cm
		P 6	QPA01003003	POLY BAG	10cm x 30cm
		P 7	QPC01002515	POLY BAG	10cm x 25cm