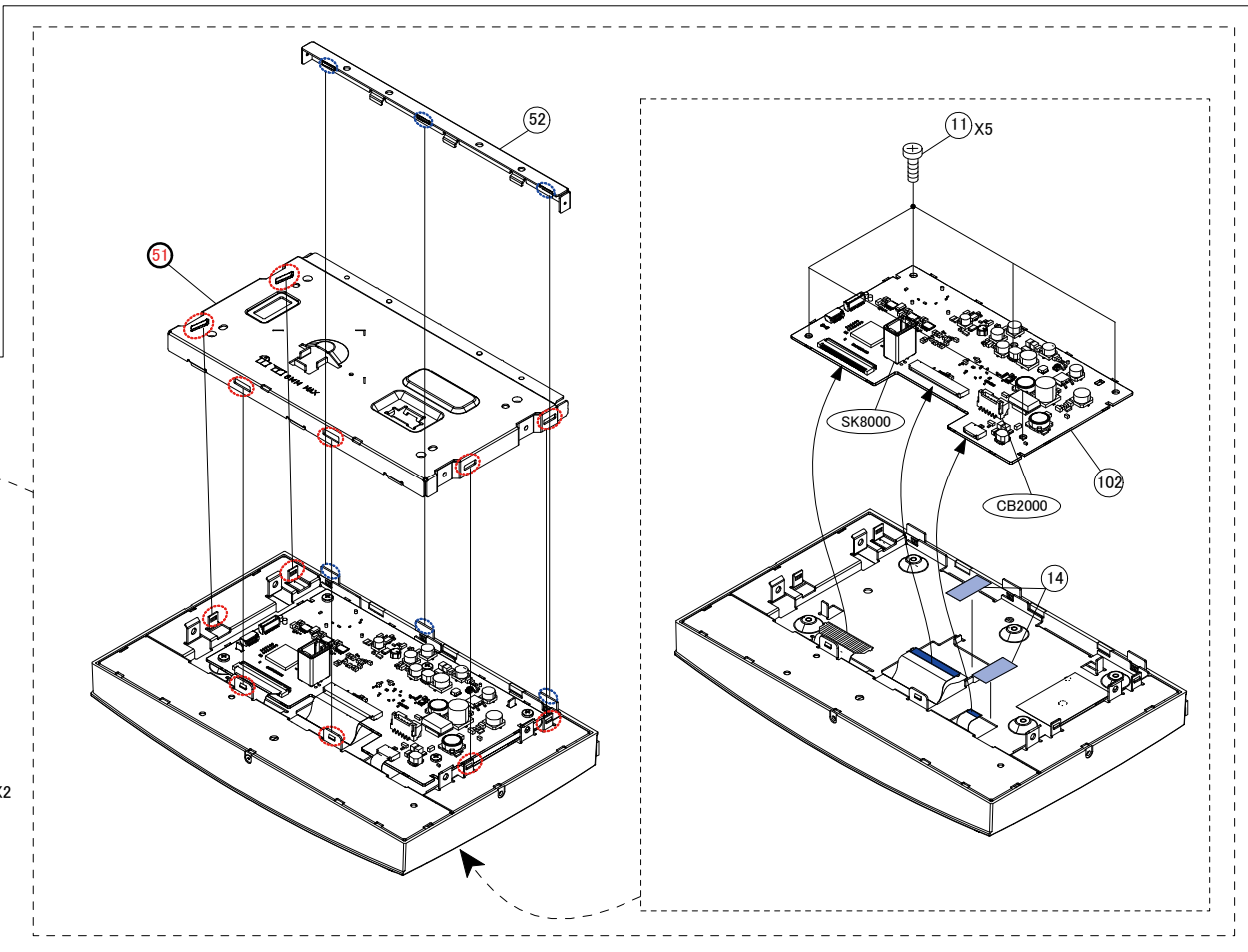
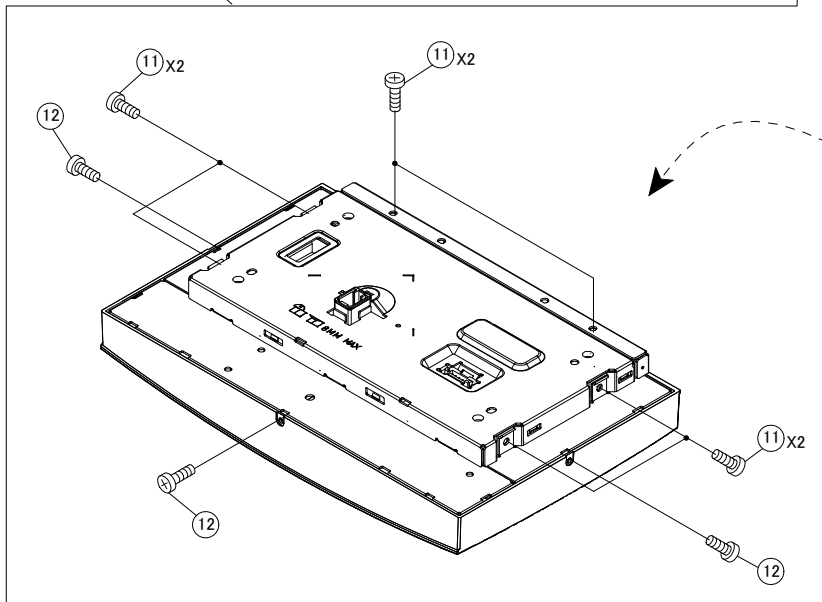
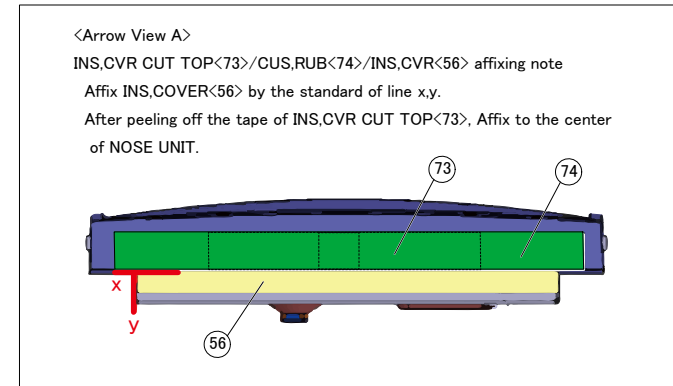
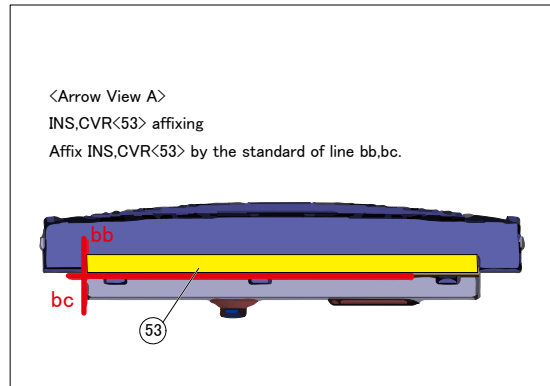
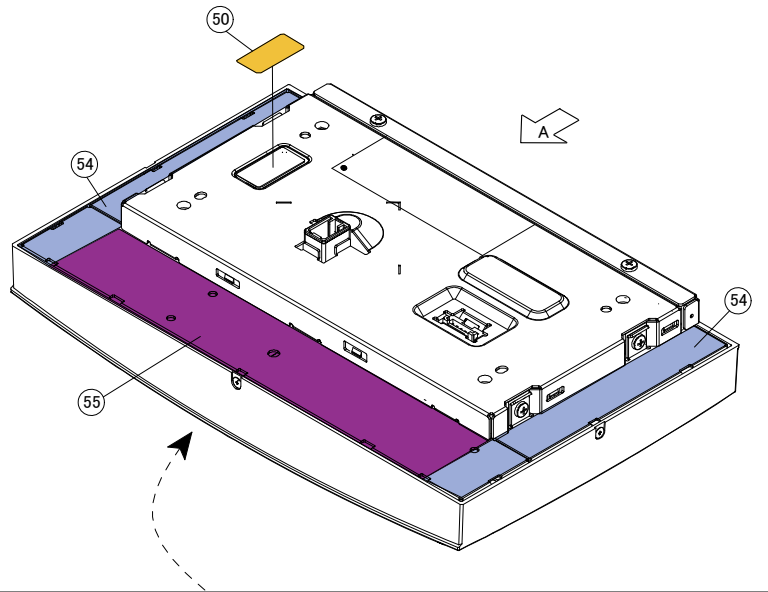
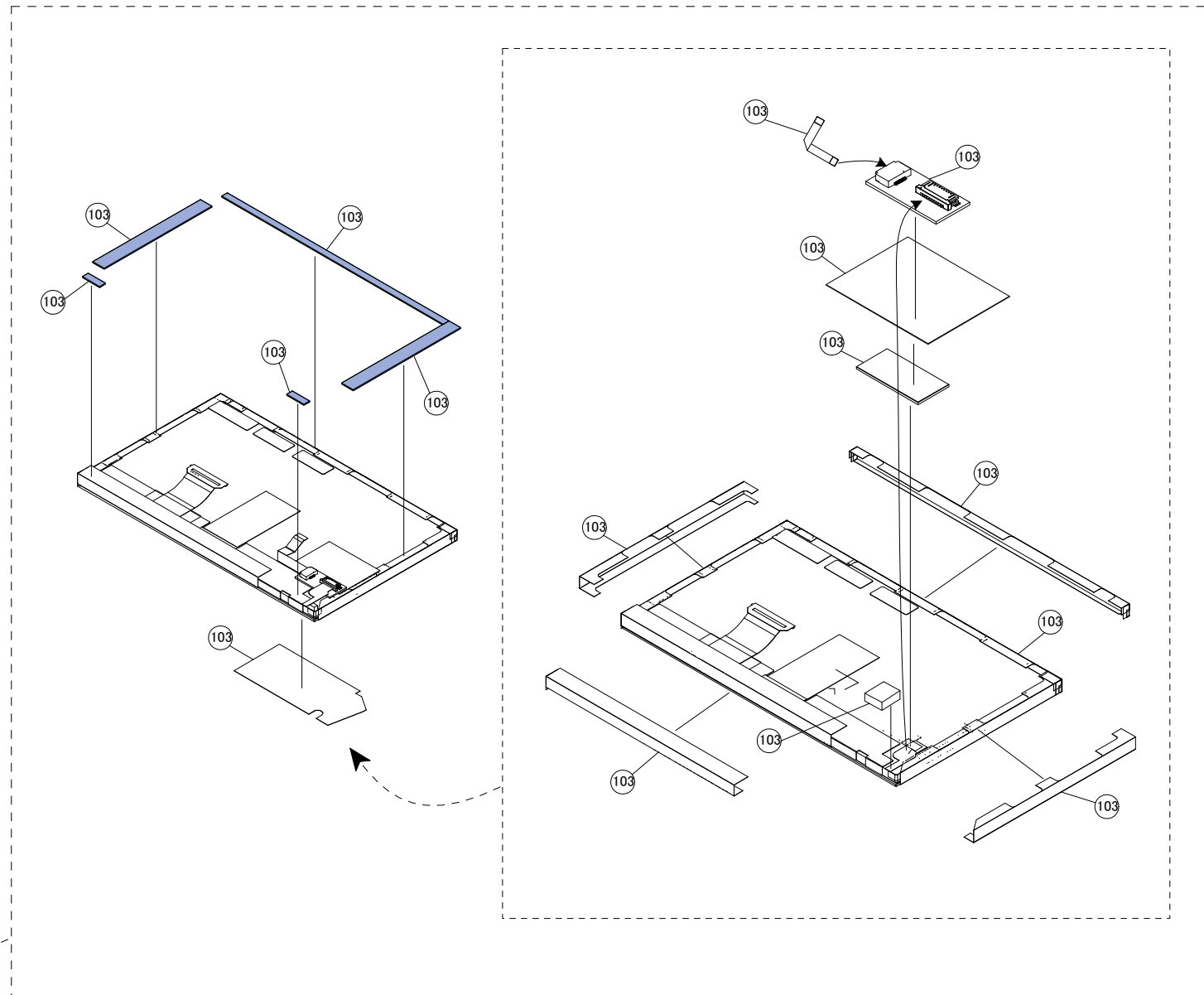
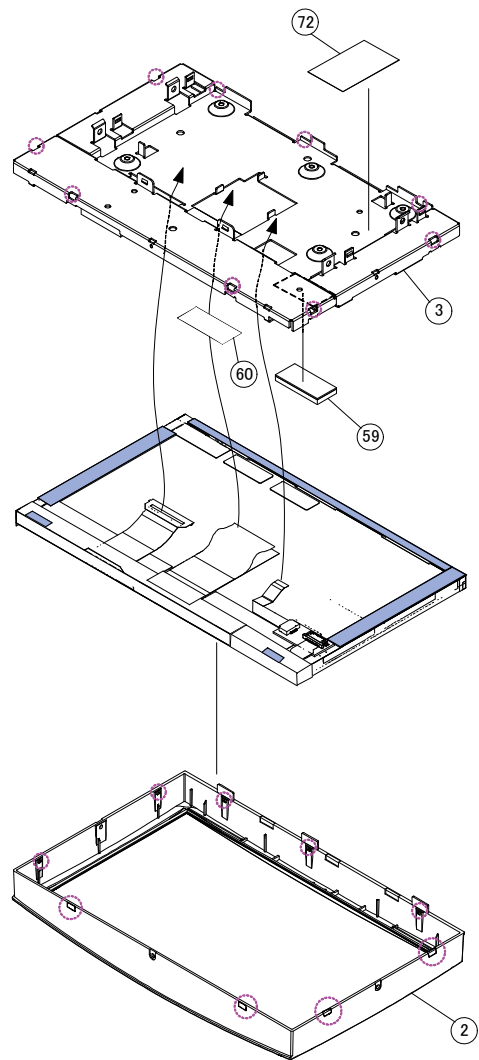


# Exploded View (Cabinet) (1/2)



# Exploded View (Cabinet) (2/2)

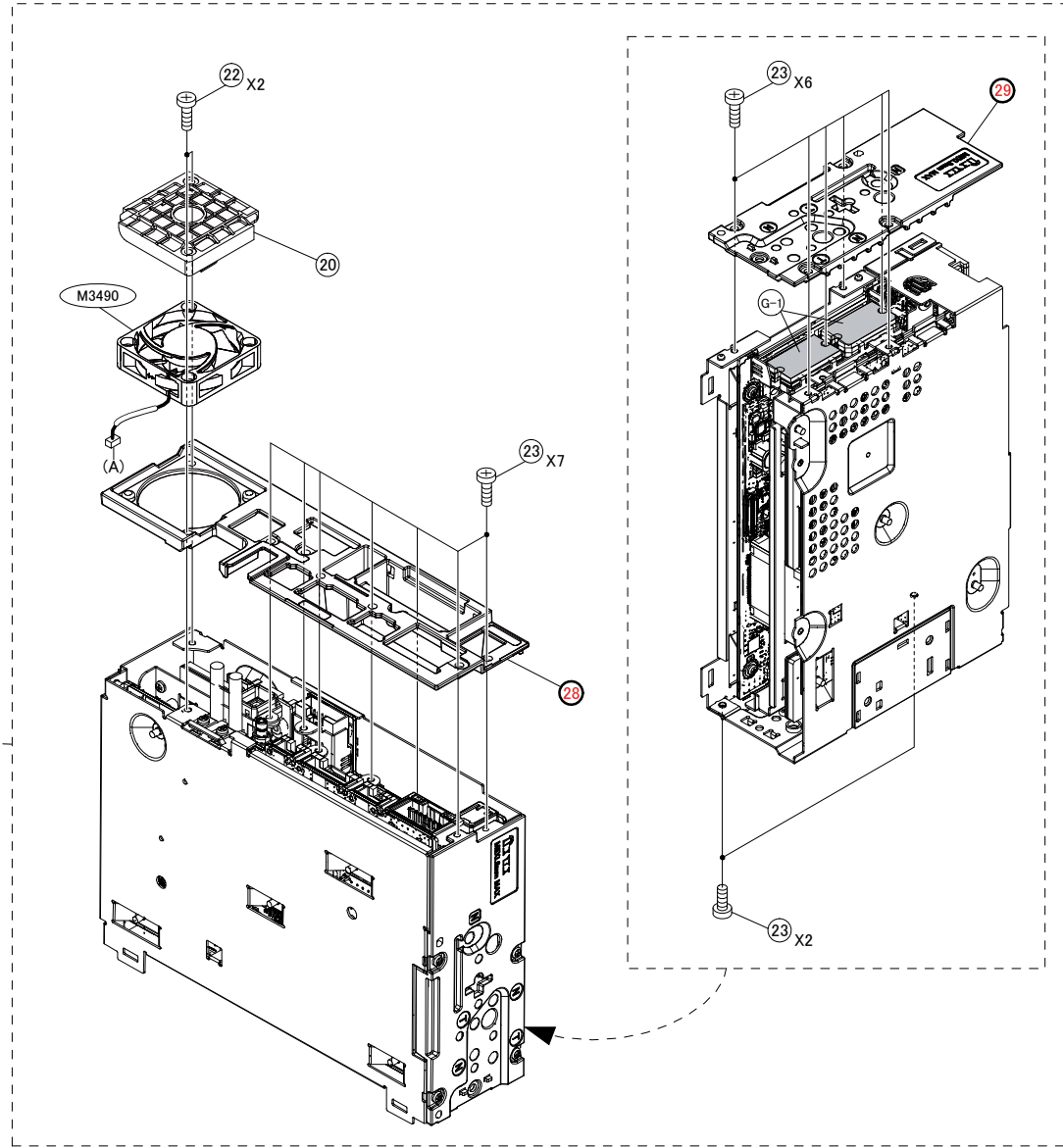
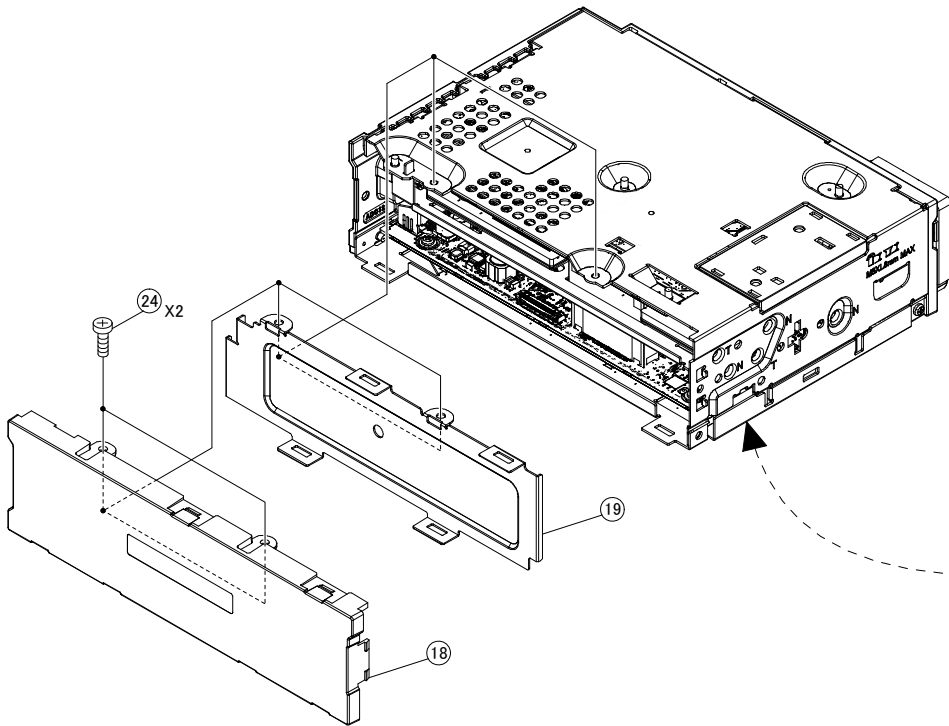


MODEL	Symbol No.	Parts No.	Description
	<a href="#">2</a>	EN-32958Z04	NOSE,MONITOR ASSY
	<a href="#">3</a>	07-32956Z03	BKT,LCD
	<a href="#">11</a>	03S60822Y13	SCR,S-T 2.6X6 ZN A
	<a href="#">12</a>	03-00712Z74	SCR,MCH 2X5 ZBEA
	<a href="#">14</a>	14-31650Z01	52050AD-2 15X20
	<a href="#">50</a>	54-30711Z01	LABEL,BKT 7INCH
	<a href="#">51</a>	-----	BKT,COVER
	<a href="#">52</a>	07-34117Z02	BKT,UP
	<a href="#">53</a>	14-34242Z69	INS,CVR 178X11XT0.05
	<a href="#">54</a>	75-36184Z01	CUS,RUB 139X20.8XT3
	<a href="#">55</a>	75-36183Z01	CUS,RUB 177X36.5XT3
	<a href="#">56</a>	14-34242Z23	INS,CVR 178X10XT15
	<a href="#">57</a>	14-19217Z95	INS,CVR 29X11.5XT0.9
	<a href="#">59</a>	75-26715Z55	CUS,RUB 32X15XT4
	<a href="#">60</a>	14-34242Z09	INS,CVR 36X15XT0.35
	<a href="#">61</a>	14-34242Z26	INS,CVR 194X5XT0.8
	<a href="#">62</a>	14-34242Z27	INS,CVR 94X10XT0.8
	<a href="#">63</a>	14-34242Z34	INS,CVR 15X5XT0.8
	<a href="#">65</a>	14-35948Z01	INS,CVR LCD UP
	<a href="#">66</a>	14-35949Z01	INS,CVR LCD RIGHT
	<a href="#">67</a>	14-35950Z01	INS,CVR LCD LEFT
	<a href="#">68</a>	14-35951Z01	INS,CVR LCD DOWN
	<a href="#">69</a>	14-36149Z01	INS,CVR PWB DOWN
	<a href="#">70</a>	75-26715Z77	CUS,RUB 14X8XT2.2
	<a href="#">71</a>	14-35952Z01	INS,CVR COVER
	<a href="#">72</a>	14-34242Z71	INS,CVR 25X40XT0.1

MODEL	Symbol No.	Parts No.	Description
	<a href="#">73</a>	14-36206Z01	INS,CVR CUT TOP
	<a href="#">74</a>	75-26715Z82	CUS,RUB 200X18XT18
	<a href="#">102</a>	SU-39354Z01	SU_DISP_X409
	<a href="#">103</a>	SU-39488Z01	SU_LCDASSY_I209.
	<a href="#">CB2000</a>	09-05987Z03	WTB,BM06B-PASS-TFTEE
	<a href="#">SK8000</a>	09-35593Z01	SKT,GT17HJ-4DP-2DS-T

# Exploded View (Cabinet) (1/3)

NOTE : The place of the connection of (A) as shown in ( ),  
is mentioned in the "Exploded View (Cabinet) (2/3)".

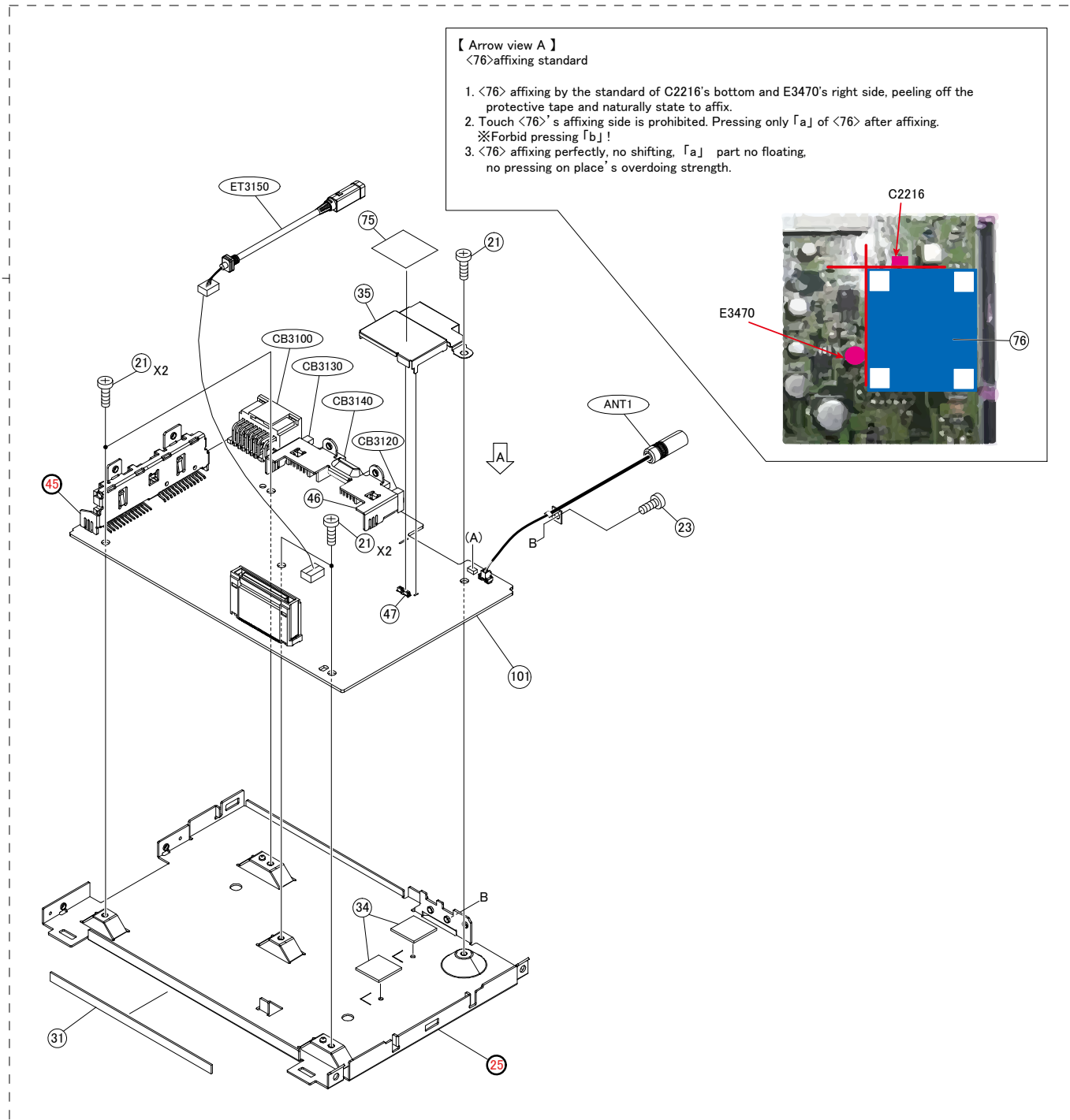
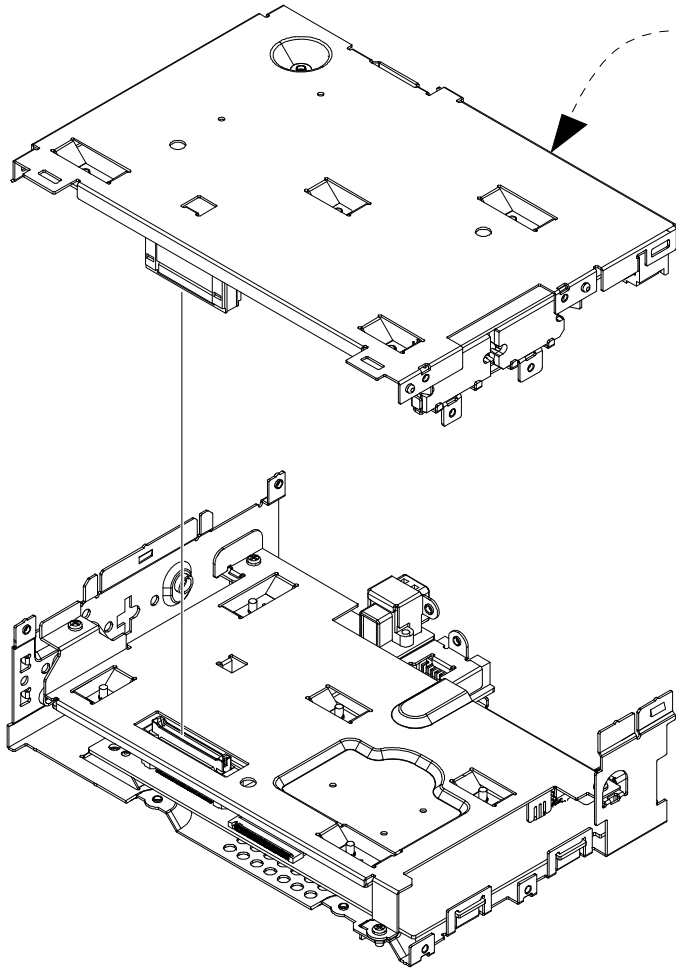


.....paint of GREASE applied.

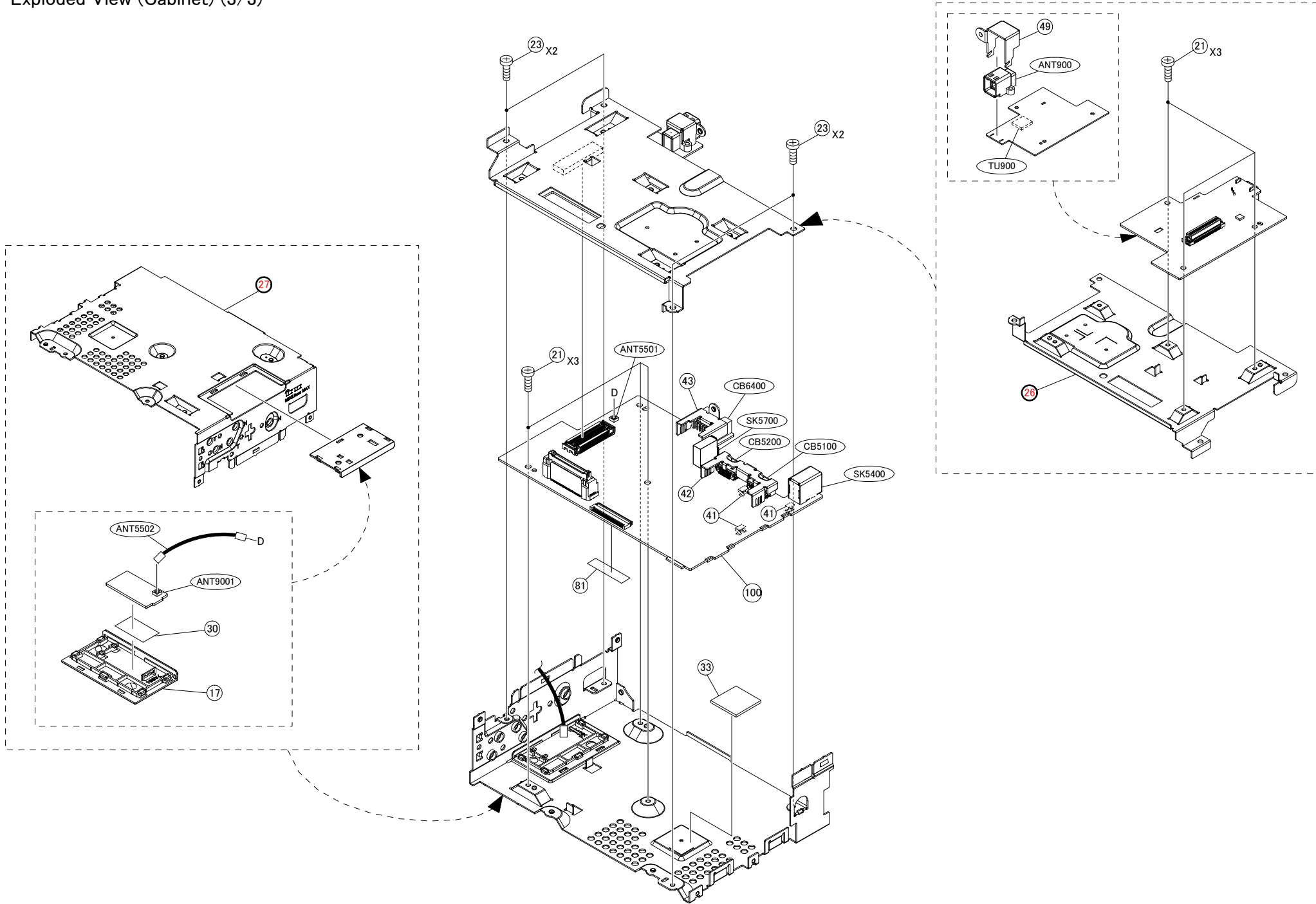
(G-1) GREASE G747 (11S42419J30)

## Exploded View (Cabinet) (2/3)

NOTE : The place of the connection of (A) as shown in ( ), is mentioned in the "Exploded View (Cabinet) (1/3)".



# Exploded View (Cabinet) (3/3)

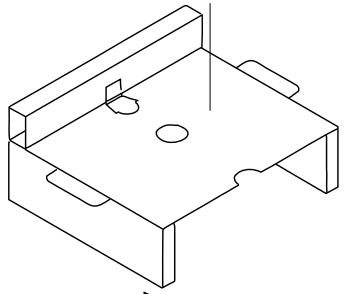
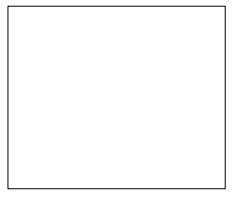


MODEL	Symbol No.	Parts No.	Description
	<a href="#">17</a>	15-29982Z02	COVER,PLATE TOP
	<a href="#">18</a>	15-30180Z02	COVER,FRONT
	<a href="#">19</a>	26-30398Z02	SHIELD,FRONT
	<a href="#">20</a>	15-12877Z02	COVER,FAN
	<a href="#">21</a>	03-12686Z01	SCR,S-T 2.6X6 ZN ATP
	<a href="#">22</a>	03S60822Y31	SCR,S-T 2.6X18 ZN A
	<a href="#">23</a>	03S60822Y10	SCR,S-T 2.6X5 ZN A
	<a href="#">24</a>	03-00340Z01	SCR,S-T 2.6X6 ZB A
	<a href="#">25</a>	-----	CHAS,BASE
	<a href="#">26</a>	-----	SHIELD,MIDDLE
	<a href="#">27</a>	-----	COVER,TOP
	<a href="#">28</a>	-----	BKT,REAR
	<a href="#">29</a>	-----	HEAT,SINK
	<a href="#">30</a>	14-28478Z77	INS,CVR 24X14XT0.15
	<a href="#">31</a>	14-19217Z19	INS,CVR 104X4XT0.15
	<a href="#">33</a>	75-31381Z02	5580H-1.5-20-20
	<a href="#">34</a>	75-31381Z03	5580H-5.5-12-12
	<a href="#">35</a>	26-31254Z02	SHIELD,RADIO
	<a href="#">41</a>	29-22483Z02	OG-453065 -E5
	<a href="#">42</a>	07-30182Z02	BKT,CONN HDMI
	<a href="#">43</a>	07-30183Z02	BKT,CONN CAN
	<a href="#">45</a>	-----	BKT,IC
	<a href="#">46</a>	07-30184Z02	BKT,CONN PREOUT
	<a href="#">47</a>	29-22540Z01	OGCP-702020 -E4
	<a href="#">49</a>	07-13009Z02	BKT,CONN GPS
	<a href="#">75</a>	14-15738Z01	HMSZW8001A_20X20

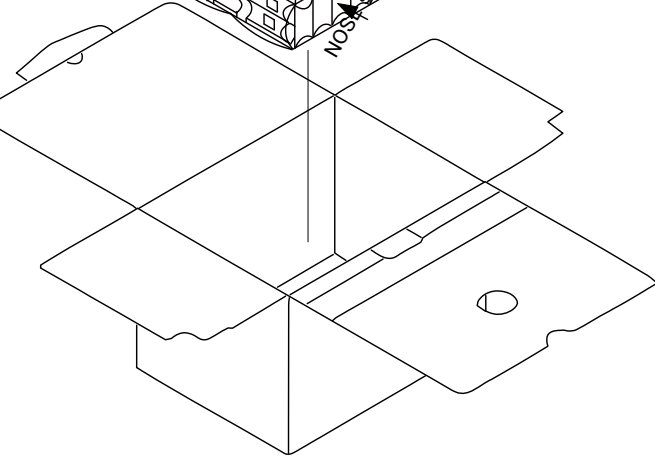
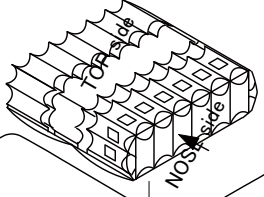
MODEL	Symbol No.	Parts No.	Description
	<a href="#">76</a>	14-39786Z01	EFF4(03)-38X30T0800
	<a href="#">81</a>	75-31381Z07	5580H-6.0-4.5-20
	<a href="#">100</a>	SU-39352Z01	SU_I.MX_X409
	<a href="#">101</a>	SU-39353Z01	SU_AUDIO_X409
	<a href="#">ANT1</a>	09-17241Z06	ASSY,ANID-0116-06A
	<a href="#">ANT5501</a>	09-07494Z01	U.FL-R-SMT-1(80)-E2
	<a href="#">ANT5502</a>	09-24492Z04	ASSY,U.FL-2LP-066N1
	<a href="#">ANT900</a>	09T45601Y01	GT5-1P-DS(70) -DB
	<a href="#">ANT9001</a>	09-07494Z01	U.FL-R-SMT-1(80)-E2
	<a href="#">CB3100</a>	09T35473Y16	WTB,F169B001-16 -DB
	<a href="#">CB3120</a>	09-25106Z01	WTB,S10B-PUDSS-1 -DB
	<a href="#">CB3130</a>	09-25106Z02	WTB,S12B-PUDSS-1 -DB
	<a href="#">CB3140</a>	09-25106Z07	WTB,S22B-PUDSS-1 -DB
	<a href="#">CB5100</a>	09-25213Z01	WTB,TCX3400-011187-T
	<a href="#">CB5200</a>	09-25213Z01	WTB,TCX3400-011187-T
	<a href="#">CB6400</a>	09-25106Z05	WTB,S18B-PUDSS-1 -DB
	<a href="#">ET3150</a>	09-19615Z02	ASSY,ANID-0139-02A
	<a href="#">M3490</a>	59-14185Z03	MOTOR,ASB0412MA-9D11
	<a href="#">SK5400</a>	09-30387Z01	SKT,GT17HNF-4DP-2-DB
	<a href="#">SK5700</a>	09-34073Z01	SKT,48204-0001 -DB
	<a href="#">TU900</a>	TU-34948Z01	GPS GV-8720C -EA
	<a href="#">G-1</a>	11S42419J30	GREASE G747

# Packing Method View

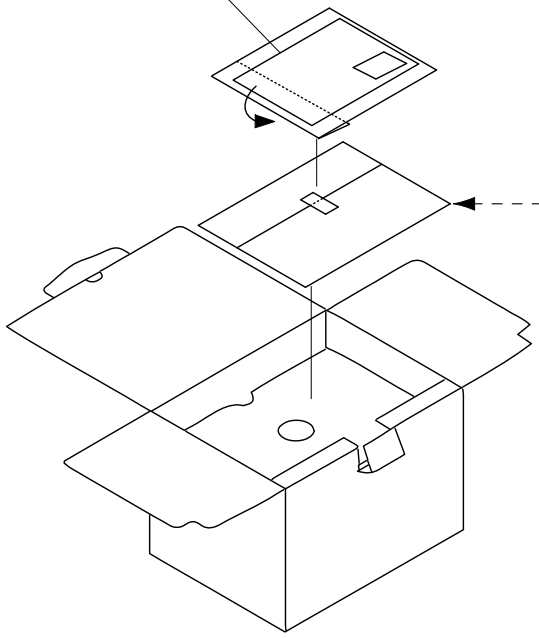
Display unit



Main unit





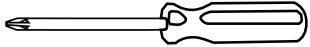

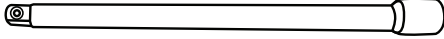
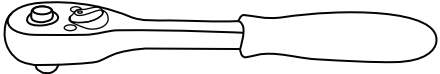
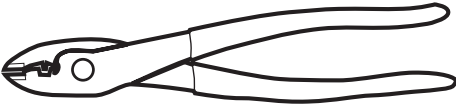
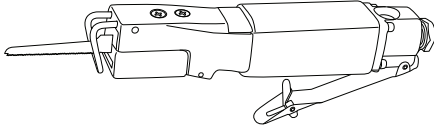

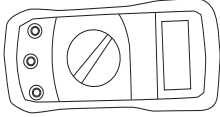
- 104 (C/N QRG AOAM AOTH)
- 105 (C/N.CAUTION HI-TEMP)
- 106 (C/N URL AOAM AOTH)



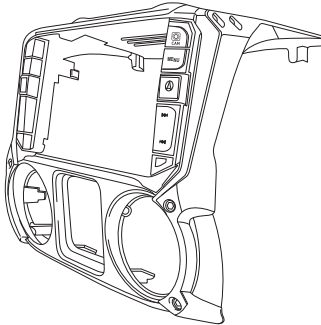
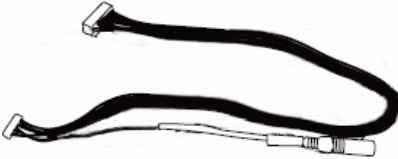
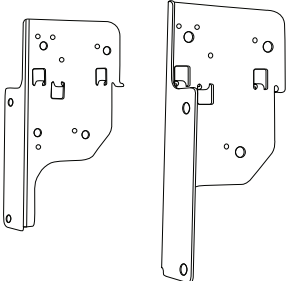
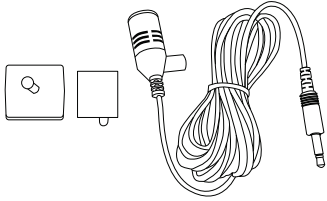
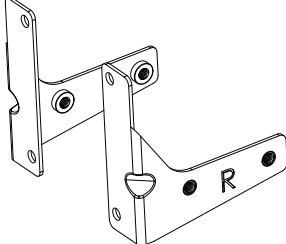
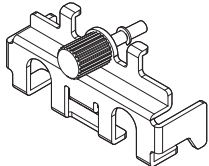
- 107 X12
- 108 X1
- 109 X1
- 110 X1
- 111 X1 X1 X3
- 112 X1
- 113 X1
- 114 X1
- 115 X1

MODEL	Symbol No.	Parts No.	Description
	<a href="#">104</a>	68-38492Z05	C/N QRG AOAM AOTH
	<a href="#">105</a>	68-34732Z60	C/N,CAUTION HI-TEMP
	<a href="#">106</a>	68-38492Z10	C/N URL AOAM AOTH
	<a href="#">107</a>	03S60820Y17	SCR,MCH 5X8 ZN A
	<a href="#">108</a>	07-30181Z03	BKT,HDMI ASSY
	<a href="#">109</a>	09-18014Z01	ASSY,ANID-0125-01A
	<a href="#">110</a>	09-31130Z01	ASSY,ANID-0202-01A
	<a href="#">111</a>	85-34947Z01	ASSY,YOP-5270AL01
	<a href="#">112</a>	09-31165Z05	ASSY,ANID-0208-06A
	<a href="#">113</a>	09-22649Z04	ASSY,ANID-0179-04A
	<a href="#">114</a>	09-34821Z02	ASSY,ANID-0219-02A
	<a href="#">115</a>	14-34242Z74	INS,CVR 125X11XT5

**Tools Required**

<p>Panel Removing Tool</p> 	<p>7mm Sockets</p> 	<p>#2 Phillips Screwdriver</p> 
<p>10mm Sockets</p> 	<p>Extension</p> 	<p>Ratchet</p> 
<p>Wire Cutters</p> 	<p>Air Saw</p> 	<p>T20 Torx</p> 
<p>Digital Multimeter</p> 		

**Accessory List**

Installation Kit Parts		
<p>X409-WRA-JK Radio Dash Bezel</p> 	<p>Key Harness</p> 	<p>Side Mounting Brackets</p> 
<p>Microphone</p> 	<p>Display Mounting Brackets</p> 	<p>Source Unit HDMI Bracket</p> 

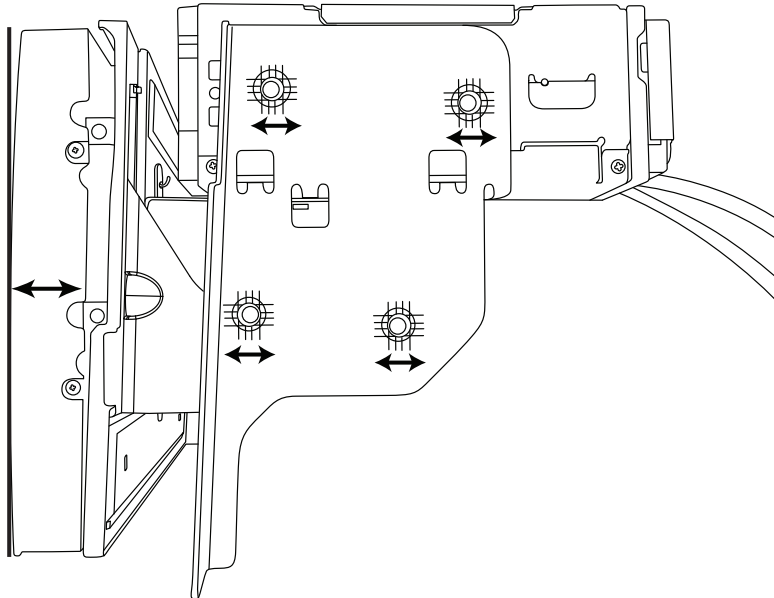


## Mounting Brackets

**⚠ DISCONNECT THE BATTERY BEFORE CONTINUING. FAILURE TO DO SO WILL DISABLE MANY FEATURES.**

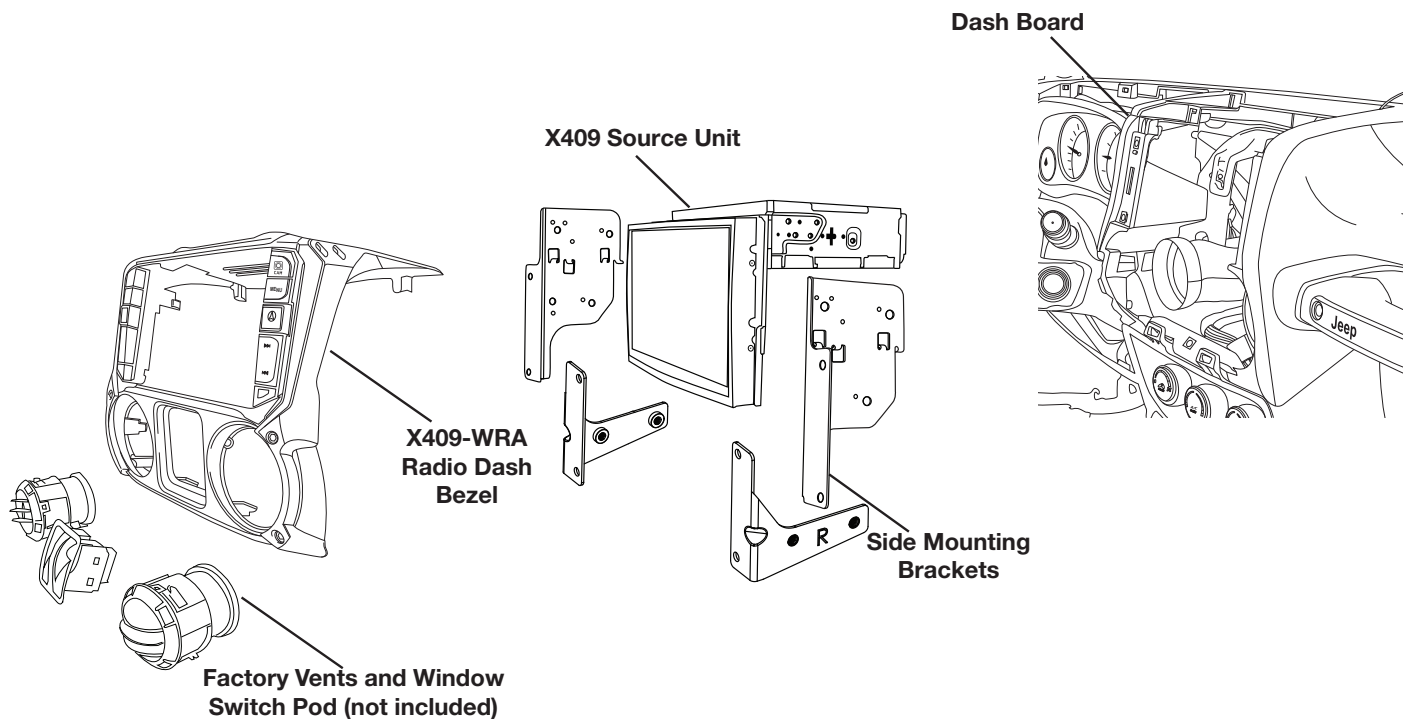
**⚠ IMPORTANT:** During the research and development of this product it was discovered that mounting tolerance may vary from the vehicle's trim level to year built. We have added a 1mm tolerance to the mounting brackets to compensate for such variance in mounting tolerance. Use the guides below as reference if there are any required adjustments.

Adjust the rear bracket as needed when the top or bottom is protruding or not flushed.

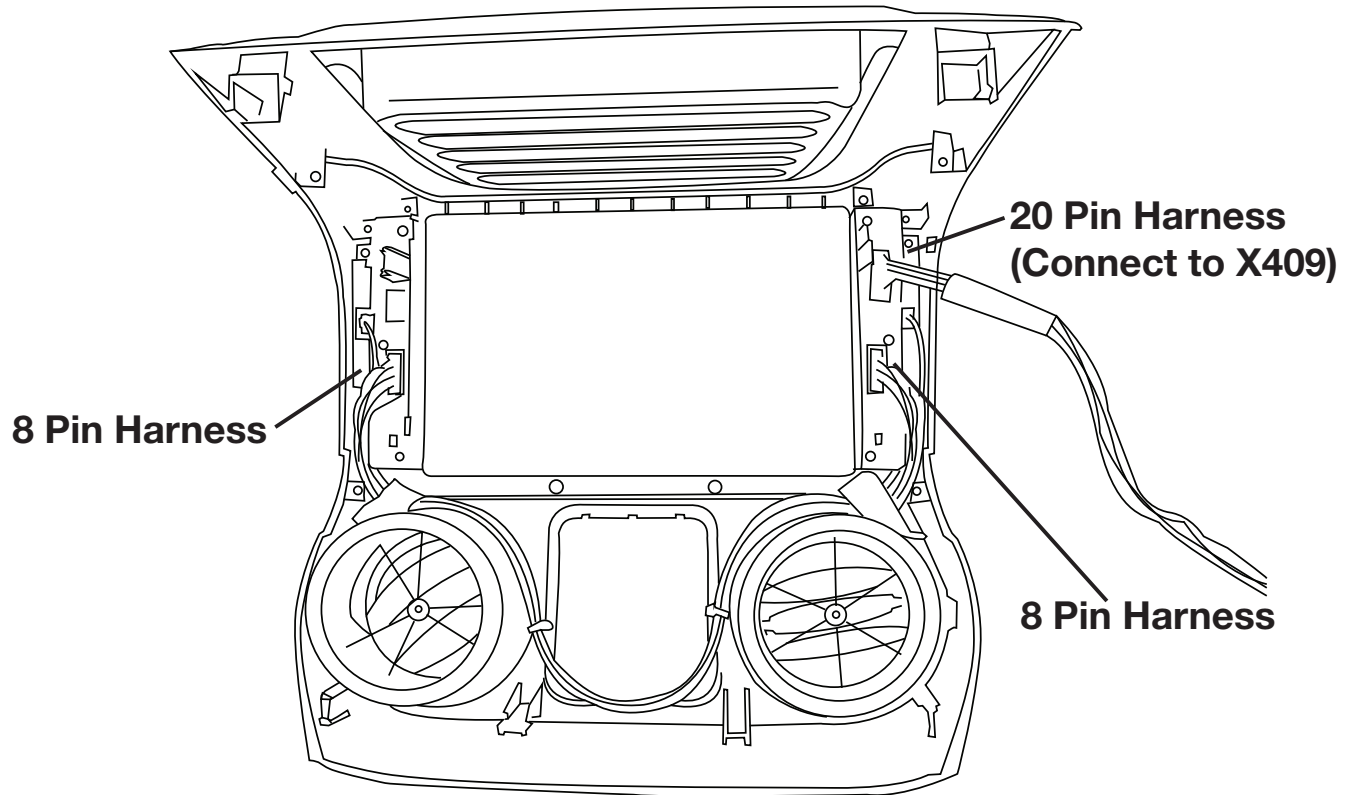


Adjust the side brackets as needed when either side is protruding or not flushed.

## Exploded-View Diagram

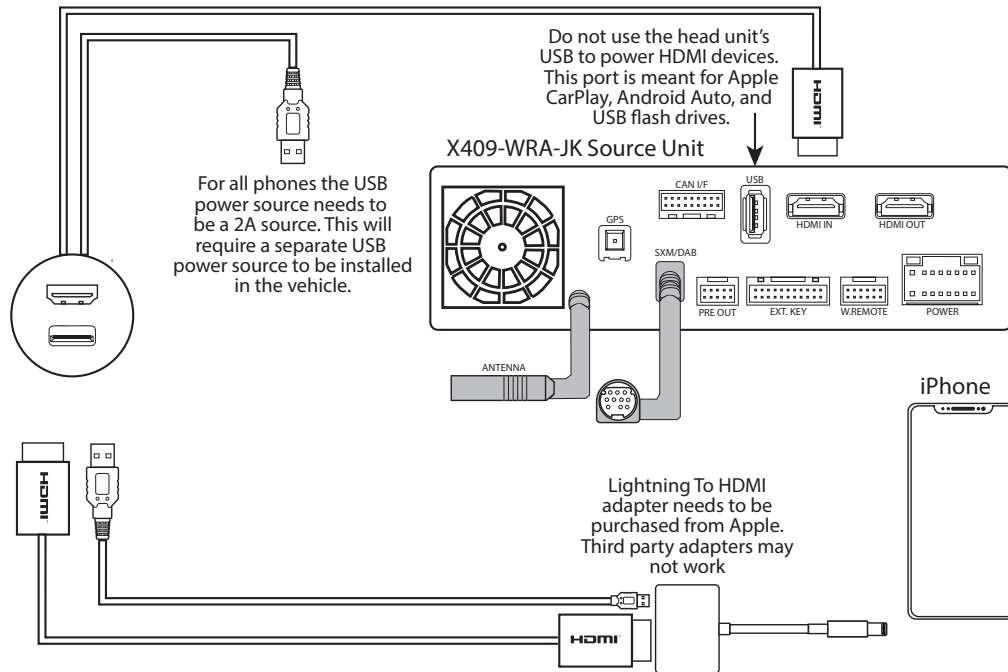


**Bezel Wiring Diagram**

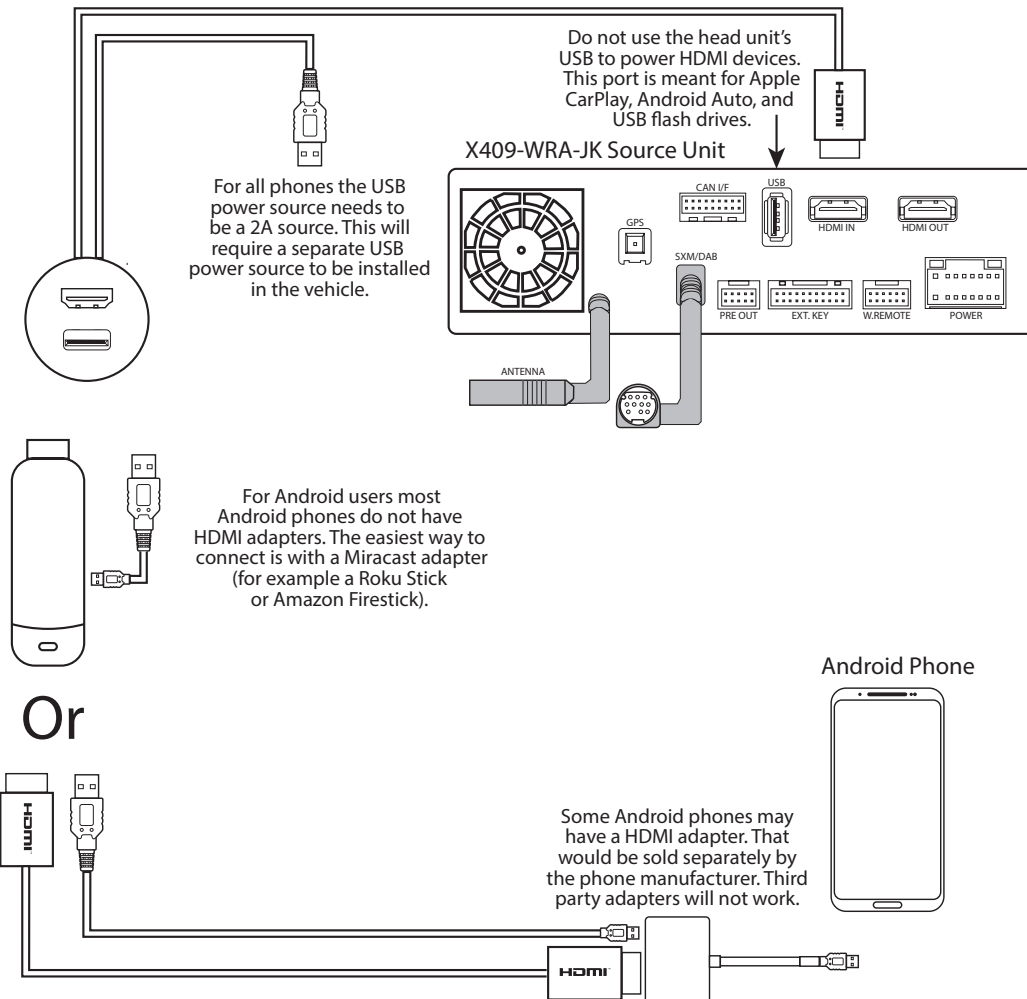




### X409-WRA-JK HDMI Usage With An iPhone



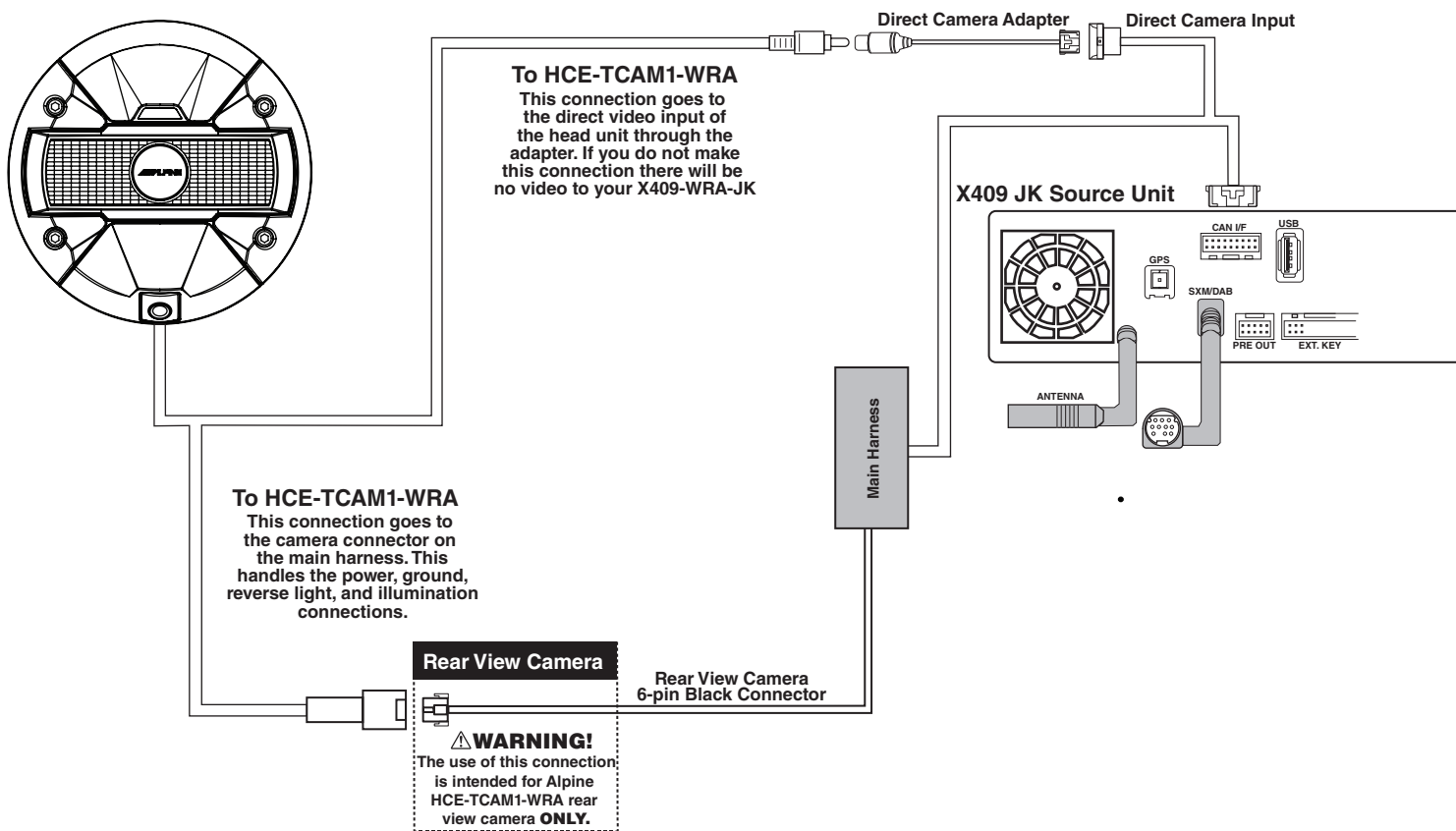
### X409-WRA-JK HDMI Usage With An Android Phone





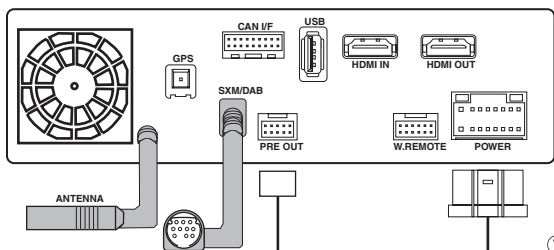


## Connection Of HCE-TCAM1-WRA

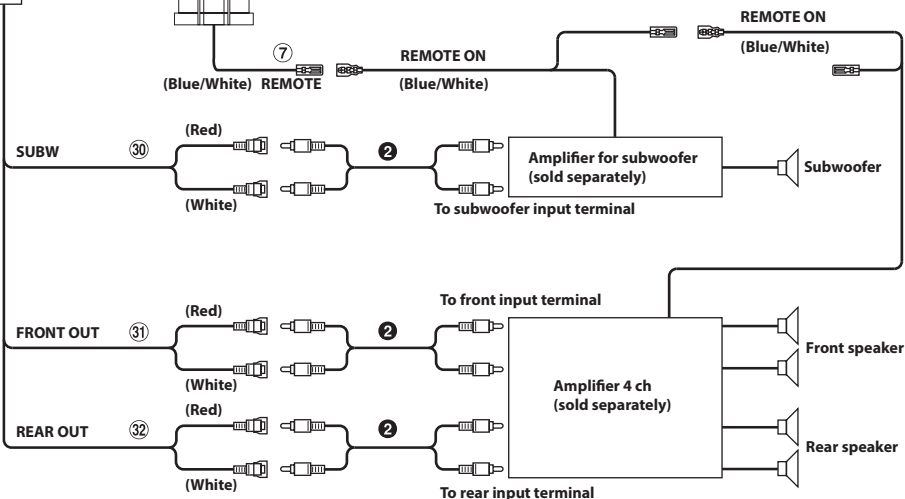


## Connection Of An External Amplifier

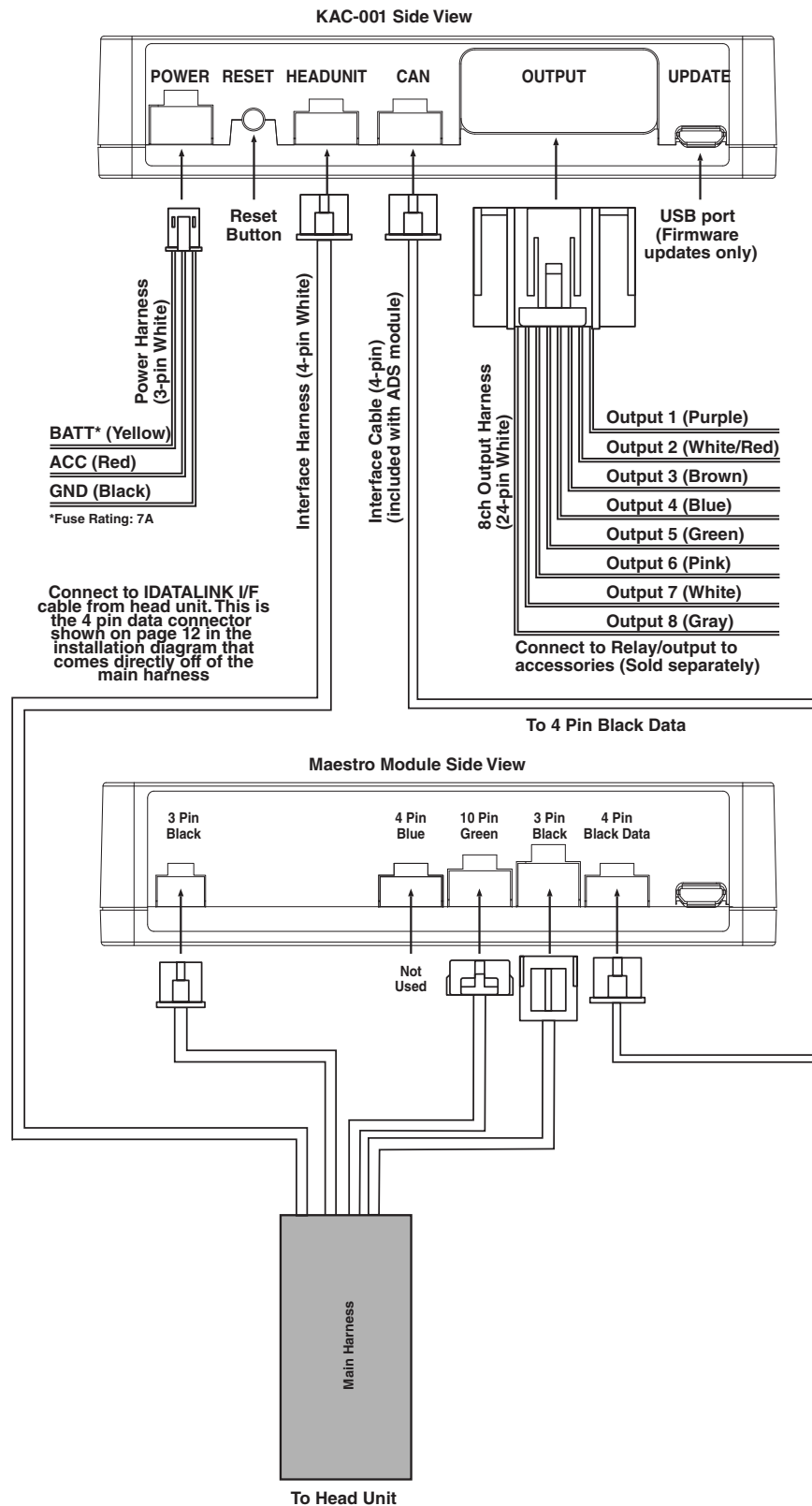
### X409-WRA-JK Source Unit



- ② RCA Extension Cable (sold separately)
- ⑦ Remote Turn-On Lead (Blue/White)
- ③① Subwoofer RCA Connectors
- ③② Front Output RCA Connectors
- ③③ Rear Output RCA Connectors



Connection Of KAC-001











P.W.Board	MIS	MODEL	Ref.	Parts No.	Parts Name
AUDIO-P.W.Board(Main-unit)			<a href="#">C2251</a>	08S45232Y21	CAP,CER 104K-B1A-CP
AUDIO-P.W.Board(Main-unit)			<a href="#">C2252</a>	08S45232Y21	CAP,CER 104K-B1A-CP
AUDIO-P.W.Board(Main-unit)			<a href="#">C2253</a>	08S45232Y21	CAP,CER 104K-B1A-CP
AUDIO-P.W.Board(Main-unit)			<a href="#">C2254</a>	08-23325Z04	CAP,CER 332KX7R1H-CP
AUDIO-P.W.Board(Main-unit)			<a href="#">C2255</a>	08-23325Z04	CAP,CER 332KX7R1H-CP
AUDIO-P.W.Board(Main-unit)			<a href="#">C2256</a>	08S45232Y21	CAP,CER 104K-B1A-CP
AUDIO-P.W.Board(Main-unit)			<a href="#">C2257</a>	08S45231Y31	CAP,CER 331J-CH1H-CP
AUDIO-P.W.Board(Main-unit)			<a href="#">C2258</a>	08S45231Y31	CAP,CER 331J-CH1H-CP
AUDIO-P.W.Board(Main-unit)			<a href="#">C2259</a>	08S45232Y21	CAP,CER 104K-B1A-CP
AUDIO-P.W.Board(Main-unit)			<a href="#">C2400</a>	08S65669Y03	CAP,CER 224KX7R1H-CP
AUDIO-P.W.Board(Main-unit)			<a href="#">C2401</a>	08-30898Z01	CAP,TF 155K-1C -CP
AUDIO-P.W.Board(Main-unit)			<a href="#">C2402</a>	08-30898Z01	CAP,TF 155K-1C -CP
AUDIO-P.W.Board(Main-unit)			<a href="#">C2403</a>	08-30898Z01	CAP,TF 155K-1C -CP
AUDIO-P.W.Board(Main-unit)			<a href="#">C2404</a>	08-30898Z01	CAP,TF 155K-1C -CP
AUDIO-P.W.Board(Main-unit)			<a href="#">C2405</a>	08S65670Y03	CAP,CER 335KX5R1E-CP
AUDIO-P.W.Board(Main-unit)			<a href="#">C2406</a>	08S65670Y03	CAP,CER 335KX5R1E-CP
AUDIO-P.W.Board(Main-unit)			<a href="#">C2407</a>	08S45676W85	CAP,CER 104K-B1C -CP
AUDIO-P.W.Board(Main-unit)			<a href="#">C2408</a>	08S65669Y03	CAP,CER 224KX7R1H-CP

































































P.W.Board	MIS	MODEL	Ref.	Parts No.	Parts Name
AUDIO-P.W.Board(Main-unit)			<a href="#">R2857</a>	06S15615Y25	RES,RK 101J 1/16 -CP
AUDIO-P.W.Board(Main-unit)			<a href="#">R2858</a>	06S15615Y25	RES,RK 101J 1/16 -CP
AUDIO-P.W.Board(Main-unit)			<a href="#">R2859</a>	06S15615Y25	RES,RK 101J 1/16 -CP
AUDIO-P.W.Board(Main-unit)			<a href="#">R2860</a>	06S15616Y23	RES,RK JUMPER1/16-CP
AUDIO-P.W.Board(Main-unit)			<a href="#">R2864</a>	06S45675W43	RES,RK JUMPER1/10-CP
AUDIO-P.W.Board(Main-unit)			<a href="#">R2902</a>	06S15594Y14	RES,RK 474F 1/10 -CP
AUDIO-P.W.Board(Main-unit)			<a href="#">R2903</a>	06S15594Y14	RES,RK 474F 1/10 -CP
AUDIO-P.W.Board(Main-unit)			<a href="#">R2904</a>	06S65415Y11	RES,RK 68RF 1/16 -CP
AUDIO-P.W.Board(Main-unit)			<a href="#">R2905</a>	06S45675W43	RES,RK JUMPER1/10-CP
AUDIO-P.W.Board(Main-unit)			<a href="#">R2906</a>	06S45675W43	RES,RK JUMPER1/10-CP
AUDIO-P.W.Board(Main-unit)			<a href="#">R2950</a>	06S65415Y41	RES,RK 223F 1/16 -CP
AUDIO-P.W.Board(Main-unit)			<a href="#">R2963</a>	06S65415Y35	RES,RK 682F 1/16 -CP
AUDIO-P.W.Board(Main-unit)			<a href="#">R2965</a>	06S65415Y05	RES,RK 22RF 1/16 -CP
AUDIO-P.W.Board(Main-unit)			<a href="#">R2966</a>	06S65415Y10	RES,RK 56RF 1/16 -CP
AUDIO-P.W.Board(Main-unit)			<a href="#">R2967</a>	06S35083Y19	RES,RK 331F 1/4 -CP
AUDIO-P.W.Board(Main-unit)			<a href="#">R3000</a>	06S15616Y14	RES,RK 474J 1/16 -CP
AUDIO-P.W.Board(Main-unit)			<a href="#">R3007</a>	06S65415Y37	RES,RK 103F 1/16 -CP
AUDIO-P.W.Board(Main-unit)			<a href="#">R3008</a>	06S65415Y37	RES,RK 103F 1/16 -CP











































P.W.Board	MIS	MODEL	Ref.	Parts No.	Parts Name
I.MX-P.W.Board(Main-unit)			<a href="#">C5310</a>	08S45232Y05	CAP,CER 102K-B1H -CP
I.MX-P.W.Board(Main-unit)			<a href="#">C5311</a>	08S35374W12	CAP,CER 106K-B0J -CP
I.MX-P.W.Board(Main-unit)			<a href="#">C5312</a>	08-32878Z05	CAP,CER105KX7R1AQ2CP
I.MX-P.W.Board(Main-unit)			<a href="#">C5313</a>	08S45232Y17	CAP,CER 104K-B0J -CP
I.MX-P.W.Board(Main-unit)			<a href="#">C5314</a>	08-32878Z05	CAP,CER105KX7R1AQ2CP
I.MX-P.W.Board(Main-unit)			<a href="#">C5315</a>	08S45232Y17	CAP,CER 104K-B0J -CP
I.MX-P.W.Board(Main-unit)			<a href="#">C5316</a>	08-32878Z05	CAP,CER105KX7R1AQ2CP
I.MX-P.W.Board(Main-unit)			<a href="#">C5317</a>	08S45232Y17	CAP,CER 104K-B0J -CP
I.MX-P.W.Board(Main-unit)			<a href="#">C5318</a>	08S45232Y17	CAP,CER 104K-B0J -CP
I.MX-P.W.Board(Main-unit)			<a href="#">C5319</a>	08S45232Y17	CAP,CER 104K-B0J -CP
I.MX-P.W.Board(Main-unit)			<a href="#">C5320</a>	08-32878Z05	CAP,CER105KX7R1AQ2CP
I.MX-P.W.Board(Main-unit)			<a href="#">C5321</a>	08-32878Z05	CAP,CER105KX7R1AQ2CP
I.MX-P.W.Board(Main-unit)			<a href="#">C5322</a>	08S45232Y17	CAP,CER 104K-B0J -CP
I.MX-P.W.Board(Main-unit)			<a href="#">C5323</a>	08S45232Y17	CAP,CER 104K-B0J -CP
I.MX-P.W.Board(Main-unit)			<a href="#">C5324</a>	08S45232Y17	CAP,CER 104K-B0J -CP
I.MX-P.W.Board(Main-unit)			<a href="#">C5325</a>	08S45232Y11	CAP,CER 103K-B1C -CP
I.MX-P.W.Board(Main-unit)			<a href="#">C5326</a>	08S45231Y11	CAP,CER 8R0D-CH1H-CP
I.MX-P.W.Board(Main-unit)			<a href="#">C5327</a>	08S45231Y13	CAP,CER 10RD-CH1H-CP

P.W.Board	MIS	MODEL	Ref.	Parts No.	Parts Name
I.MX-P.W.Board(Main-unit)			<a href="#">C5400</a>	08S45232Y17	CAP,CER 104K-B0J -CP
I.MX-P.W.Board(Main-unit)			<a href="#">C5401</a>	08S45232Y17	CAP,CER 104K-B0J -CP
I.MX-P.W.Board(Main-unit)			<a href="#">C5402</a>	08S35349Y17	CAP,CER 225K-B0J -CP
I.MX-P.W.Board(Main-unit)			<a href="#">C5403</a>	08S45232Y17	CAP,CER 104K-B0J -CP
I.MX-P.W.Board(Main-unit)			<a href="#">C5404</a>	08S35349Y17	CAP,CER 225K-B0J -CP
I.MX-P.W.Board(Main-unit)			<a href="#">C5405</a>	08S45232Y17	CAP,CER 104K-B0J -CP
I.MX-P.W.Board(Main-unit)			<a href="#">C5406</a>	08S35374W11	CAP,CER 475K-B0J -CP
I.MX-P.W.Board(Main-unit)			<a href="#">C5407</a>	08S35374W11	CAP,CER 475K-B0J -CP
I.MX-P.W.Board(Main-unit)			<a href="#">C5408</a>	08S35374W11	CAP,CER 475K-B0J -CP
I.MX-P.W.Board(Main-unit)			<a href="#">C5409</a>	08S45232Y17	CAP,CER 104K-B0J -CP
I.MX-P.W.Board(Main-unit)			<a href="#">C5410</a>	08S35374W11	CAP,CER 475K-B0J -CP
I.MX-P.W.Board(Main-unit)			<a href="#">C5411</a>	08S35374W11	CAP,CER 475K-B0J -CP
I.MX-P.W.Board(Main-unit)			<a href="#">C5412</a>	08S45232Y17	CAP,CER 104K-B0J -CP
I.MX-P.W.Board(Main-unit)			<a href="#">C5413</a>	08S45232Y17	CAP,CER 104K-B0J -CP
I.MX-P.W.Board(Main-unit)			<a href="#">C5414</a>	08S45231Y07	CAP,CER 4R0C-CH1H-CP
I.MX-P.W.Board(Main-unit)			<a href="#">C5415</a>	08S45231Y07	CAP,CER 4R0C-CH1H-CP
I.MX-P.W.Board(Main-unit)			<a href="#">C5416</a>	08S45231Y05	CAP,CER 2R0C-CK1H-CP
I.MX-P.W.Board(Main-unit)			<a href="#">C5417</a>	08S45231Y05	CAP,CER 2R0C-CK1H-CP



P.W.Board	MIS	MODEL	Ref.	Parts No.	Parts Name
I.MX-P.W.Board(Main-unit)			<a href="#">C5512</a>	08S35374W11	CAP,CER 475K-B0J -CP
I.MX-P.W.Board(Main-unit)			<a href="#">C5513</a>	08S35374W11	CAP,CER 475K-B0J -CP
I.MX-P.W.Board(Main-unit)			<a href="#">C5514</a>	08S35374W12	CAP,CER 106K-B0J -CP
I.MX-P.W.Board(Main-unit)			<a href="#">C5515</a>	08-32878Z05	CAP,CER105KX7R1AQ2CP
I.MX-P.W.Board(Main-unit)			<a href="#">C5516</a>	08S35374W12	CAP,CER 106K-B0J -CP
I.MX-P.W.Board(Main-unit)			<a href="#">C5517</a>	08S35374W12	CAP,CER 106K-B0J -CP
I.MX-P.W.Board(Main-unit)			<a href="#">C5518</a>	08-32878Z05	CAP,CER105KX7R1AQ2CP
I.MX-P.W.Board(Main-unit)			<a href="#">C5519</a>	08S35374W12	CAP,CER 106K-B0J -CP
I.MX-P.W.Board(Main-unit)			<a href="#">C5600</a>	08S45232Y17	CAP,CER 104K-B0J -CP
I.MX-P.W.Board(Main-unit)			<a href="#">C5601</a>	08S65670Y06	CAP,CER 226KX5R1A-CP
I.MX-P.W.Board(Main-unit)			<a href="#">C5602</a>	08S65670Y06	CAP,CER 226KX5R1A-CP
I.MX-P.W.Board(Main-unit)			<a href="#">C5603</a>	08-32878Z05	CAP,CER105KX7R1AQ2CP
I.MX-P.W.Board(Main-unit)			<a href="#">C5604</a>	08-32878Z05	CAP,CER105KX7R1AQ2CP
I.MX-P.W.Board(Main-unit)			<a href="#">C5605</a>	08-32878Z05	CAP,CER105KX7R1AQ2CP
I.MX-P.W.Board(Main-unit)			<a href="#">C5606</a>	08-32878Z05	CAP,CER105KX7R1AQ2CP
I.MX-P.W.Board(Main-unit)			<a href="#">C5607</a>	08S45231Y25	CAP,CER 101J-CH1H-CP
I.MX-P.W.Board(Main-unit)			<a href="#">C5608</a>	08S65670Y06	CAP,CER 226KX5R1A-CP
I.MX-P.W.Board(Main-unit)			<a href="#">C5609</a>	08S65670Y06	CAP,CER 226KX5R1A-CP

P.W.Board	MIS	MODEL	Ref.	Parts No.	Parts Name
I.MX-P.W.Board(Main-unit)			<a href="#">C5610</a>	08S45676W93	CAP,CER 224K-B1A -CP
I.MX-P.W.Board(Main-unit)			<a href="#">C5611</a>	08S45231Y25	CAP,CER 101J-CH1H-CP
I.MX-P.W.Board(Main-unit)			<a href="#">C5612</a>	08S65670Y06	CAP,CER 226KX5R1A-CP
I.MX-P.W.Board(Main-unit)			<a href="#">C5613</a>	08S65670Y06	CAP,CER 226KX5R1A-CP
I.MX-P.W.Board(Main-unit)			<a href="#">C5614</a>	08S45676W93	CAP,CER 224K-B1A -CP
I.MX-P.W.Board(Main-unit)			<a href="#">C5615</a>	08S45231Y25	CAP,CER 101J-CH1H-CP
I.MX-P.W.Board(Main-unit)			<a href="#">C5616</a>	08S65670Y06	CAP,CER 226KX5R1A-CP
I.MX-P.W.Board(Main-unit)			<a href="#">C5617</a>	08S65670Y06	CAP,CER 226KX5R1A-CP
I.MX-P.W.Board(Main-unit)			<a href="#">C5618</a>	08S45676W93	CAP,CER 224K-B1A -CP
I.MX-P.W.Board(Main-unit)			<a href="#">C5619</a>	08S45231Y25	CAP,CER 101J-CH1H-CP
I.MX-P.W.Board(Main-unit)			<a href="#">C5620</a>	08S65670Y06	CAP,CER 226KX5R1A-CP
I.MX-P.W.Board(Main-unit)			<a href="#">C5621</a>	08S65670Y06	CAP,CER 226KX5R1A-CP
I.MX-P.W.Board(Main-unit)			<a href="#">C5622</a>	08S45676W93	CAP,CER 224K-B1A -CP
I.MX-P.W.Board(Main-unit)			<a href="#">C5623</a>	08-32878Z05	CAP,CER105KX7R1AQ2CP
I.MX-P.W.Board(Main-unit)			<a href="#">C5624</a>	08S45676W93	CAP,CER 224K-B1A -CP
I.MX-P.W.Board(Main-unit)			<a href="#">C5625</a>	08-32878Z05	CAP,CER105KX7R1AQ2CP
I.MX-P.W.Board(Main-unit)			<a href="#">C5626</a>	08-32878Z05	CAP,CER105KX7R1AQ2CP
I.MX-P.W.Board(Main-unit)			<a href="#">C5627</a>	08S45676W93	CAP,CER 224K-B1A -CP

P.W.Board	MIS	MODEL	Ref.	Parts No.	Parts Name
I.MX-P.W.Board(Main-unit)			<a href="#">C5628</a>	08-32878Z05	CAP,CER105KX7R1AQ2CP
I.MX-P.W.Board(Main-unit)			<a href="#">C5629</a>	08-32878Z05	CAP,CER105KX7R1AQ2CP
I.MX-P.W.Board(Main-unit)			<a href="#">C5630</a>	08S45676W93	CAP,CER 224K-B1A -CP
I.MX-P.W.Board(Main-unit)			<a href="#">C5631</a>	08-32878Z05	CAP,CER105KX7R1AQ2CP
I.MX-P.W.Board(Main-unit)			<a href="#">C5632</a>	08-32878Z05	CAP,CER105KX7R1AQ2CP
I.MX-P.W.Board(Main-unit)			<a href="#">C5633</a>	08S45676W93	CAP,CER 224K-B1A -CP
I.MX-P.W.Board(Main-unit)			<a href="#">C5637</a>	08-14627Z01	CAP,CER 107MX5R0J-CP
I.MX-P.W.Board(Main-unit)			<a href="#">C5638</a>	08-14627Z01	CAP,CER 107MX5R0J-CP
I.MX-P.W.Board(Main-unit)			<a href="#">C5650</a>	08S65671Y04	CAP,CER 106KX5R1H-CP
I.MX-P.W.Board(Main-unit)			<a href="#">C5651</a>	08S45232Y08	CAP,CER 332K-B1H -CP
I.MX-P.W.Board(Main-unit)			<a href="#">C5652</a>	08S45231Y33	CAP,CER 471J-CH1H-CP
I.MX-P.W.Board(Main-unit)			<a href="#">C5653</a>	08S45231Y25	CAP,CER 101J-CH1H-CP
I.MX-P.W.Board(Main-unit)			<a href="#">C5655</a>	08-14627Z01	CAP,CER 107MX5R0J-CP
I.MX-P.W.Board(Main-unit)			<a href="#">C5657</a>	08S65669Y03	CAP,CER 224KX7R1H-CP
I.MX-P.W.Board(Main-unit)			<a href="#">C5659</a>	08S65669Y03	CAP,CER 224KX7R1H-CP
I.MX-P.W.Board(Main-unit)			<a href="#">C5680</a>	08S65669Y03	CAP,CER 224KX7R1H-CP
I.MX-P.W.Board(Main-unit)			<a href="#">C5702</a>	08-32878Z05	CAP,CER105KX7R1AQ2CP
I.MX-P.W.Board(Main-unit)			<a href="#">C5703</a>	08S65671Y04	CAP,CER 106KX5R1H-CP

P.W.Board	MIS	MODEL	Ref.	Parts No.	Parts Name
I.MX-P.W.Board(Main-unit)			<a href="#">C5704</a>	08S65671Y04	CAP,CER 106KX5R1H-CP
I.MX-P.W.Board(Main-unit)			<a href="#">C5705</a>	08S65676Y09	CAP,CER 475KX7R1H-CP
I.MX-P.W.Board(Main-unit)			<a href="#">C5706</a>	08S35349Y21	CAP,CER 104K-B1H -CP
I.MX-P.W.Board(Main-unit)			<a href="#">C5707</a>	08S65670Y06	CAP,CER 226KX5R1A-CP
I.MX-P.W.Board(Main-unit)			<a href="#">C5708</a>	08S65669Y03	CAP,CER 224KX7R1H-CP
I.MX-P.W.Board(Main-unit)			<a href="#">C5709</a>	08S65676Y09	CAP,CER 475KX7R1H-CP
I.MX-P.W.Board(Main-unit)			<a href="#">C5710</a>	08-32878Z05	CAP,CER105KX7R1AQ2CP
I.MX-P.W.Board(Main-unit)			<a href="#">C5711</a>	08S45232Y05	CAP,CER 102K-B1H -CP
I.MX-P.W.Board(Main-unit)			<a href="#">C5712</a>	08S45231Y13	CAP,CER 10RD-CH1H-CP
I.MX-P.W.Board(Main-unit)			<a href="#">C5713</a>	08S45232Y05	CAP,CER 102K-B1H -CP
I.MX-P.W.Board(Main-unit)			<a href="#">C5715</a>	08S45231Y40	CAP,CER 3R9C-CH1H-CP
I.MX-P.W.Board(Main-unit)			<a href="#">C5716</a>	08S45231Y40	CAP,CER 3R9C-CH1H-CP
I.MX-P.W.Board(Main-unit)			<a href="#">C5800</a>	08S65676Y09	CAP,CER 475KX7R1H-CP
I.MX-P.W.Board(Main-unit)			<a href="#">C5801</a>	08S65669Y03	CAP,CER 224KX7R1H-CP
I.MX-P.W.Board(Main-unit)			<a href="#">C5802</a>	08S65670Y01	CAP,CER 106KX5R1C-CP
I.MX-P.W.Board(Main-unit)			<a href="#">C5803</a>	08S65669Y03	CAP,CER 224KX7R1H-CP
I.MX-P.W.Board(Main-unit)			<a href="#">C5804</a>	08S65670Y01	CAP,CER 106KX5R1C-CP
I.MX-P.W.Board(Main-unit)			<a href="#">C5805</a>	08S65669Y03	CAP,CER 224KX7R1H-CP

P.W.Board	MIS	MODEL	Ref.	Parts No.	Parts Name
I.MX-P.W.Board(Main-unit)			<a href="#">C5806</a>	08S45676W73	CAP,CER.103K-B1H -CP
I.MX-P.W.Board(Main-unit)			<a href="#">C5807</a>	08S45232Y11	CAP,CER 103K-B1C -CP
I.MX-P.W.Board(Main-unit)			<a href="#">C6007</a>	08-31895Z01	CAP,CER 226MX7S1C-CP
I.MX-P.W.Board(Main-unit)			<a href="#">C6008</a>	08S65669Y03	CAP,CER 224KX7R1H-CP
I.MX-P.W.Board(Main-unit)			<a href="#">C6009</a>	08S65676Y01	CAP,CER 335KX7R1A-CP
I.MX-P.W.Board(Main-unit)			<a href="#">C6014</a>	08S65668Y05	CAP,CER 224KX5R1A-CP
I.MX-P.W.Board(Main-unit)			<a href="#">C6300</a>	08S65668Y07	CAP,CER 103KX5R1H-CP
I.MX-P.W.Board(Main-unit)			<a href="#">C6301</a>	08S65668Y07	CAP,CER 103KX5R1H-CP
I.MX-P.W.Board(Main-unit)			<a href="#">C6302</a>	08S65668Y07	CAP,CER 103KX5R1H-CP
I.MX-P.W.Board(Main-unit)			<a href="#">C6303</a>	08S65669Y03	CAP,CER 224KX7R1H-CP
I.MX-P.W.Board(Main-unit)			<a href="#">C6310</a>	08S65669Y03	CAP,CER 224KX7R1H-CP
I.MX-P.W.Board(Main-unit)			<a href="#">C6311</a>	08S65669Y03	CAP,CER 224KX7R1H-CP
I.MX-P.W.Board(Main-unit)			<a href="#">C6313</a>	08S65669Y03	CAP,CER 224KX7R1H-CP
I.MX-P.W.Board(Main-unit)			<a href="#">C6314</a>	08S65669Y03	CAP,CER 224KX7R1H-CP
I.MX-P.W.Board(Main-unit)			<a href="#">C6315</a>	08S65669Y03	CAP,CER 224KX7R1H-CP
I.MX-P.W.Board(Main-unit)			<a href="#">C6320</a>	08S45231Y38	CAP,CER 102J-CH1H-CP
I.MX-P.W.Board(Main-unit)			<a href="#">C6400</a>	08S45676W83	CAP,CER 473K-B1C -CP
I.MX-P.W.Board(Main-unit)			<a href="#">C6401</a>	08S65670Y04	CAP,CER 475KX5R1E-CP

P.W.Board	MIS	MODEL	Ref.	Parts No.	Parts Name
I.MX-P.W.Board(Main-unit)			<a href="#">C6402</a>	08S65670Y04	CAP,CER 475KX5R1E-CP
I.MX-P.W.Board(Main-unit)			<a href="#">C6403</a>	08S65668Y05	CAP,CER 224KX5R1A-CP
I.MX-P.W.Board(Main-unit)			<a href="#">C6404</a>	08S45676W83	CAP,CER 473K-B1C -CP
I.MX-P.W.Board(Main-unit)			<a href="#">C6405</a>	08S65670Y04	CAP,CER 475KX5R1E-CP
I.MX-P.W.Board(Main-unit)			<a href="#">C6406</a>	08S65670Y04	CAP,CER 475KX5R1E-CP
I.MX-P.W.Board(Main-unit)			<a href="#">C6407</a>	08S65668Y05	CAP,CER 224KX5R1A-CP
I.MX-P.W.Board(Main-unit)			<a href="#">C6408</a>	08S65669Y03	CAP,CER 224KX7R1H-CP
I.MX-P.W.Board(Main-unit)			<a href="#">C6409</a>	08S45231Y31	CAP,CER 331J-CH1H-CP
I.MX-P.W.Board(Main-unit)			<a href="#">C6410</a>	08S45231Y31	CAP,CER 331J-CH1H-CP
I.MX-P.W.Board(Main-unit)			<a href="#">C6411</a>	08S45231Y25	CAP,CER 101J-CH1H-CP
I.MX-P.W.Board(Main-unit)			<a href="#">C6412</a>	08S65668Y05	CAP,CER 224KX5R1A-CP
I.MX-P.W.Board(Main-unit)			<a href="#">C6413</a>	08S65668Y05	CAP,CER 224KX5R1A-CP
I.MX-P.W.Board(Main-unit)			<a href="#">C6414</a>	08S65676Y08	CAP,CER 106K-X7R1ACP
I.MX-P.W.Board(Main-unit)			<a href="#">C6415</a>	08S65676Y08	CAP,CER 106K-X7R1ACP
I.MX-P.W.Board(Main-unit)			<a href="#">C6416</a>	08S45676W73	CAP,CER.103K-B1H -CP
I.MX-P.W.Board(Main-unit)			<a href="#">C6417</a>	08S65676Y08	CAP,CER 106K-X7R1ACP
I.MX-P.W.Board(Main-unit)			<a href="#">C6418</a>	08S45231Y31	CAP,CER 331J-CH1H-CP
I.MX-P.W.Board(Main-unit)			<a href="#">C6419</a>	08S45231Y25	CAP,CER 101J-CH1H-CP





P.W.Board	MIS	MODEL	Ref.	Parts No.	Parts Name
I.MX-P.W.Board(Main-unit)			<a href="#">IC4300</a>	83-39430Z38	US_NL00032A_iMX_NOR_IC4300
I.MX-P.W.Board(Main-unit)			<a href="#">IC4300</a>	51-27465Z01	S29GL256S90TFI010-ST
I.MX-P.W.Board(Main-unit)			<a href="#">IC4400</a>	83-39430Z39	US_NL00032A_iMX_EMMC_IC4400
I.MX-P.W.Board(Main-unit)			<a href="#">IC4400</a>	51-34725Z01	H26M64208EMRN -BT
I.MX-P.W.Board(Main-unit)			<a href="#">IC4500</a>	51-26850Z01	MFI337S3959 -CP
I.MX-P.W.Board(Main-unit)			<a href="#">IC4600</a>	51T15185Y03	TC7SH08FU,LJ -CP
I.MX-P.W.Board(Main-unit)			<a href="#">IC4601</a>	51T65003Y03	TC7SZ05FU,LJ -CP
I.MX-P.W.Board(Main-unit)			<a href="#">IC4602</a>	51T65003Y03	TC7SZ05FU,LJ -CP
I.MX-P.W.Board(Main-unit)			<a href="#">IC4700</a>	51T35220Y02	TC7WH126FU,LJ(CB-SE1
I.MX-P.W.Board(Main-unit)			<a href="#">IC4702</a>	51T25238Y05	TC7SH32FU,LJ -CP
I.MX-P.W.Board(Main-unit)			<a href="#">IC5000</a>	51-19098Z01	BU16002KVT-E2 -QEA
I.MX-P.W.Board(Main-unit)			<a href="#">IC5100</a>	51-27798Z01	ADV7511WBSWZ-RL -QEA
I.MX-P.W.Board(Main-unit)			<a href="#">IC5200</a>	51-29819Z01	ADV7480WBBCZ -BT
I.MX-P.W.Board(Main-unit)			<a href="#">IC5300</a>	51-29818Z01	ML86V8201 -QT
I.MX-P.W.Board(Main-unit)			<a href="#">IC5400</a>	51-29313Z01	DS90UH927QSQ -LE6
I.MX-P.W.Board(Main-unit)			<a href="#">IC5500</a>	51-29718Z01	UGKZ4D6009B -NE9
I.MX-P.W.Board(Main-unit)			<a href="#">IC5501</a>	51-13971Z01	TC74VCX08FT-EL -SE5
I.MX-P.W.Board(Main-unit)			<a href="#">IC5502</a>	51-31856Z01	TC7WPB9306FK -CP

P.W.Board	MIS	MODEL	Ref.	Parts No.	Parts Name
I.MX-P.W.Board(Main-unit)			<a href="#">IC5503</a>	51-31856Z01	TC7WPB9306FK -CP
I.MX-P.W.Board(Main-unit)			<a href="#">IC5504</a>	51-31856Z01	TC7WPB9306FK -CP
I.MX-P.W.Board(Main-unit)			<a href="#">IC5600</a>	51-29896Z01	LTC3676HUI#TRA1 -LE6
I.MX-P.W.Board(Main-unit)			<a href="#">IC5650</a>	51-28779Z02	BD90640EFJ-CE2 -SE2
I.MX-P.W.Board(Main-unit)			<a href="#">IC5700</a>	51-32064Z01	MAX16987RATI/V+ -LE2
I.MX-P.W.Board(Main-unit)			<a href="#">IC5800</a>	51-28614Z01	BD00FC0EEFJ-ME2 -SE2
I.MX-P.W.Board(Main-unit)			<a href="#">IC5801</a>	51-28341Z01	S-1323B52-N4BB30 -CP
I.MX-P.W.Board(Main-unit)			<a href="#">IC6001</a>	51-23593Z02	BD00IC0WEFJ-ME2 -SE2
I.MX-P.W.Board(Main-unit)			<a href="#">IC6400</a>	51-12745Z01	BH7073G-TR -CP
I.MX-P.W.Board(Main-unit)			<a href="#">IC6401</a>	51-12745Z01	BH7073G-TR -CP
I.MX-P.W.Board(Main-unit)			<a href="#">IC6402</a>	51T15192Y03	74VHC14FT-EL -SE2
I.MX-P.W.Board(Main-unit)			<a href="#">IC6403</a>	51T25183Y04	TC7SET08FU,LJ -CP
I.MX-P.W.Board(Main-unit)			<a href="#">IC6404</a>	51T15185Y03	TC7SH08FU,LJ -CP
I.MX-P.W.Board(Main-unit)			<a href="#">IC6405</a>	51-31236Z01	ML22331 -ST
I.MX-P.W.Board(Main-unit)			<a href="#">L5100</a>	24-22766Z02	IND,LBC3225 10RM -CP
I.MX-P.W.Board(Main-unit)			<a href="#">L5101</a>	24-22766Z02	IND,LBC3225 10RM -CP
I.MX-P.W.Board(Main-unit)			<a href="#">L5102</a>	24-22766Z02	IND,LBC3225 10RM -CP
I.MX-P.W.Board(Main-unit)			<a href="#">L5103</a>	24-22766Z02	IND,LBC3225 10RM -CP



P.W.Board	MIS	MODEL	Ref.	Parts No.	Parts Name
I.MX-P.W.Board(Main-unit)			<a href="#">PS6400</a>	48-27319Z01	POLY,SW1812L150/24E2
I.MX-P.W.Board(Main-unit)			<a href="#">Q4000</a>	48-18270Z01	TR,2SA1576UBTL -CP
I.MX-P.W.Board(Main-unit)			<a href="#">Q4001</a>	48-13000Z05	TR,DTC124EUBTL -CP
I.MX-P.W.Board(Main-unit)			<a href="#">Q4700</a>	48-12999Z01	TR,DTA114EUBTL -CP
I.MX-P.W.Board(Main-unit)			<a href="#">Q5200</a>	48T25737Y02	TR,UMD3N-TR -CP
I.MX-P.W.Board(Main-unit)			<a href="#">Q5800</a>	48T25737Y02	TR,UMD3N-TR -CP
I.MX-P.W.Board(Main-unit)			<a href="#">Q6400</a>	48T63417F03	TR,C2412K-BR-96 -CP
I.MX-P.W.Board(Main-unit)			<a href="#">R4000</a>	06S15616Y36	RES,RK 225J 1/16 -CP
I.MX-P.W.Board(Main-unit)			<a href="#">R4001</a>	06S15616Y23	RES,RK JUMPER1/16-CP
I.MX-P.W.Board(Main-unit)			<a href="#">R4003</a>	06S15616Y23	RES,RK JUMPER1/16-CP
I.MX-P.W.Board(Main-unit)			<a href="#">R4005</a>	06S15615Y09	RES,RK 22RJ 1/16 -CP
I.MX-P.W.Board(Main-unit)			<a href="#">R4006</a>	06S15615Y49	RES,RK 102J 1/16 -CP
I.MX-P.W.Board(Main-unit)			<a href="#">R4007</a>	06S15615Y57	RES,RK 222J 1/16 -CP
I.MX-P.W.Board(Main-unit)			<a href="#">R4008</a>	06S15615Y57	RES,RK 222J 1/16 -CP
I.MX-P.W.Board(Main-unit)			<a href="#">R4009</a>	06S15615Y57	RES,RK 222J 1/16 -CP
I.MX-P.W.Board(Main-unit)			<a href="#">R4010</a>	06S15615Y57	RES,RK 222J 1/16 -CP
I.MX-P.W.Board(Main-unit)			<a href="#">R4011</a>	06S15616Y23	RES,RK JUMPER1/16-CP
I.MX-P.W.Board(Main-unit)			<a href="#">R4012</a>	06S15615Y25	RES,RK 101J 1/16 -CP

P.W.Board	MIS	MODEL	Ref.	Parts No.	Parts Name
I.MX-P.W.Board(Main-unit)			<a href="#">R4013</a>	06S15615Y25	RES,RK 101J 1/16 -CP
I.MX-P.W.Board(Main-unit)			<a href="#">R4014</a>	06S15615Y25	RES,RK 101J 1/16 -CP
I.MX-P.W.Board(Main-unit)			<a href="#">R4015</a>	06S15615Y25	RES,RK 101J 1/16 -CP
I.MX-P.W.Board(Main-unit)			<a href="#">R4016</a>	06S15615Y25	RES,RK 101J 1/16 -CP
I.MX-P.W.Board(Main-unit)			<a href="#">R4017</a>	06S15615Y09	RES,RK 22RJ 1/16 -CP
I.MX-P.W.Board(Main-unit)			<a href="#">R4018</a>	06S15615Y09	RES,RK 22RJ 1/16 -CP
I.MX-P.W.Board(Main-unit)			<a href="#">R4020</a>	06S15615Y25	RES,RK 101J 1/16 -CP
I.MX-P.W.Board(Main-unit)			<a href="#">R4021</a>	06S15616Y23	RES,RK JUMPER1/16-CP
I.MX-P.W.Board(Main-unit)			<a href="#">R4022</a>	06S15616Y23	RES,RK JUMPER1/16-CP
I.MX-P.W.Board(Main-unit)			<a href="#">R4023</a>	06S15615Y25	RES,RK 101J 1/16 -CP
I.MX-P.W.Board(Main-unit)			<a href="#">R4024</a>	06S15615Y25	RES,RK 101J 1/16 -CP
I.MX-P.W.Board(Main-unit)			<a href="#">R4025</a>	06S15615Y25	RES,RK 101J 1/16 -CP
I.MX-P.W.Board(Main-unit)			<a href="#">R4026</a>	06S15615Y25	RES,RK 101J 1/16 -CP
I.MX-P.W.Board(Main-unit)			<a href="#">R4027</a>	06S15615Y25	RES,RK 101J 1/16 -CP
I.MX-P.W.Board(Main-unit)			<a href="#">R4028</a>	06S15615Y25	RES,RK 101J 1/16 -CP
I.MX-P.W.Board(Main-unit)			<a href="#">R4030</a>	06S15615Y25	RES,RK 101J 1/16 -CP
I.MX-P.W.Board(Main-unit)			<a href="#">R4031</a>	06S15615Y25	RES,RK 101J 1/16 -CP
I.MX-P.W.Board(Main-unit)			<a href="#">R4032</a>	06S15615Y25	RES,RK 101J 1/16 -CP



P.W.Board	MIS	MODEL	Ref.	Parts No.	Parts Name
I.MX-P.W.Board(Main-unit)			<a href="#">R4056</a>	06S65415Y85	RES,RK 241F 1/16 -CP
I.MX-P.W.Board(Main-unit)			<a href="#">R4058</a>	06S15615Y73	RES,RK 103J 1/16 -CP
I.MX-P.W.Board(Main-unit)			<a href="#">R4059</a>	06-02713Z04	RES,RK 102D 1/16 -CP
I.MX-P.W.Board(Main-unit)			<a href="#">R4060</a>	06-02713Z04	RES,RK 102D 1/16 -CP
I.MX-P.W.Board(Main-unit)			<a href="#">R4061</a>	06S15615Y25	RES,RK 101J 1/16 -CP
I.MX-P.W.Board(Main-unit)			<a href="#">R4062</a>	06S15615Y25	RES,RK 101J 1/16 -CP
I.MX-P.W.Board(Main-unit)			<a href="#">R4064</a>	06S45675W43	RES,RK JUMPER1/10-CP
I.MX-P.W.Board(Main-unit)			<a href="#">R4065</a>	06S15615Y25	RES,RK 101J 1/16 -CP
I.MX-P.W.Board(Main-unit)			<a href="#">R4066</a>	06S15615Y49	RES,RK 102J 1/16 -CP
I.MX-P.W.Board(Main-unit)			<a href="#">R4068</a>	06S15616Y23	RES,RK JUMPER1/16-CP
I.MX-P.W.Board(Main-unit)			<a href="#">R4069</a>	06-25919Z07	RES,RK 243F 1/16 -CP
I.MX-P.W.Board(Main-unit)			<a href="#">R4070</a>	06S65415Y55	RES,RK 334F 1/16 -CP
I.MX-P.W.Board(Main-unit)			<a href="#">R4071</a>	06S65415Y34	RES,RK 562F 1/16 -CP
I.MX-P.W.Board(Main-unit)			<a href="#">R4073</a>	06S45675W43	RES,RK JUMPER1/10-CP
I.MX-P.W.Board(Main-unit)			<a href="#">R4074</a>	06S65415Y63	RES,RK 6041F 1/16-CP
I.MX-P.W.Board(Main-unit)			<a href="#">R4076</a>	06S15615Y73	RES,RK 103J 1/16 -CP
I.MX-P.W.Board(Main-unit)			<a href="#">R4077</a>	06S15615Y73	RES,RK 103J 1/16 -CP
I.MX-P.W.Board(Main-unit)			<a href="#">R4079</a>	06S65415Y48	RES,RK 823F 1/16 -CP







P.W.Board	MIS	MODEL	Ref.	Parts No.	Parts Name
I.MX-P.W.Board(Main-unit)			<a href="#">R4324</a>	06S15615Y73	RES,RK 103J 1/16 -CP
I.MX-P.W.Board(Main-unit)			<a href="#">R4325</a>	06S15615Y73	RES,RK 103J 1/16 -CP
I.MX-P.W.Board(Main-unit)			<a href="#">R4326</a>	06S15615Y73	RES,RK 103J 1/16 -CP
I.MX-P.W.Board(Main-unit)			<a href="#">R4327</a>	06S15615Y73	RES,RK 103J 1/16 -CP
I.MX-P.W.Board(Main-unit)			<a href="#">R4329</a>	06S15615Y73	RES,RK 103J 1/16 -CP
I.MX-P.W.Board(Main-unit)			<a href="#">R4330</a>	06S15615Y73	RES,RK 103J 1/16 -CP
I.MX-P.W.Board(Main-unit)			<a href="#">R4331</a>	06S15615Y73	RES,RK 103J 1/16 -CP
I.MX-P.W.Board(Main-unit)			<a href="#">R4332</a>	06S15615Y73	RES,RK 103J 1/16 -CP
I.MX-P.W.Board(Main-unit)			<a href="#">R4333</a>	06S15615Y73	RES,RK 103J 1/16 -CP
I.MX-P.W.Board(Main-unit)			<a href="#">R4336</a>	06S15615Y73	RES,RK 103J 1/16 -CP
I.MX-P.W.Board(Main-unit)			<a href="#">R4341</a>	06S45674W81	RES,RK 103J 1/10 -CP
I.MX-P.W.Board(Main-unit)			<a href="#">R4400</a>	06S15615Y25	RES,RK 101J 1/16 -CP
I.MX-P.W.Board(Main-unit)			<a href="#">R4401</a>	06S15615Y25	RES,RK 101J 1/16 -CP
I.MX-P.W.Board(Main-unit)			<a href="#">R4402</a>	06S15615Y25	RES,RK 101J 1/16 -CP
I.MX-P.W.Board(Main-unit)			<a href="#">R4403</a>	06S15615Y25	RES,RK 101J 1/16 -CP
I.MX-P.W.Board(Main-unit)			<a href="#">R4404</a>	06S15615Y25	RES,RK 101J 1/16 -CP
I.MX-P.W.Board(Main-unit)			<a href="#">R4405</a>	06S15615Y25	RES,RK 101J 1/16 -CP
I.MX-P.W.Board(Main-unit)			<a href="#">R4406</a>	06S15615Y25	RES,RK 101J 1/16 -CP

P.W.Board	MIS	MODEL	Ref.	Parts No.	Parts Name
I.MX-P.W.Board(Main-unit)			<a href="#">R4407</a>	06S15615Y25	RES,RK 101J 1/16 -CP
I.MX-P.W.Board(Main-unit)			<a href="#">R4408</a>	06S15615Y25	RES,RK 101J 1/16 -CP
I.MX-P.W.Board(Main-unit)			<a href="#">R4409</a>	06S15615Y73	RES,RK 103J 1/16 -CP
I.MX-P.W.Board(Main-unit)			<a href="#">R4410</a>	06S15615Y73	RES,RK 103J 1/16 -CP
I.MX-P.W.Board(Main-unit)			<a href="#">R4411</a>	06S45675W43	RES,RK JUMPER1/10-CP
I.MX-P.W.Board(Main-unit)			<a href="#">R4500</a>	06S15615Y25	RES,RK 101J 1/16 -CP
I.MX-P.W.Board(Main-unit)			<a href="#">R4501</a>	06S15615Y73	RES,RK 103J 1/16 -CP
I.MX-P.W.Board(Main-unit)			<a href="#">R4601</a>	06S15616Y23	RES,RK JUMPER1/16-CP
I.MX-P.W.Board(Main-unit)			<a href="#">R4602</a>	06S15615Y73	RES,RK 103J 1/16 -CP
I.MX-P.W.Board(Main-unit)			<a href="#">R4603</a>	06S15615Y73	RES,RK 103J 1/16 -CP
I.MX-P.W.Board(Main-unit)			<a href="#">R4604</a>	06S15615Y09	RES,RK 22RJ 1/16 -CP
I.MX-P.W.Board(Main-unit)			<a href="#">R4700</a>	06S15615Y73	RES,RK 103J 1/16 -CP
I.MX-P.W.Board(Main-unit)			<a href="#">R4701</a>	06S15615Y73	RES,RK 103J 1/16 -CP
I.MX-P.W.Board(Main-unit)			<a href="#">R4702</a>	06S65415Y41	RES,RK 223F 1/16 -CP
I.MX-P.W.Board(Main-unit)			<a href="#">R4703</a>	06S65415Y41	RES,RK 223F 1/16 -CP
I.MX-P.W.Board(Main-unit)			<a href="#">R4706</a>	06S15616Y23	RES,RK JUMPER1/16-CP
I.MX-P.W.Board(Main-unit)			<a href="#">R4707</a>	06S15616Y23	RES,RK JUMPER1/16-CP
I.MX-P.W.Board(Main-unit)			<a href="#">R5000</a>	06S45675W43	RES,RK JUMPER1/10-CP

P.W.Board	MIS	MODEL	Ref.	Parts No.	Parts Name
I.MX-P.W.Board(Main-unit)			<a href="#">R5001</a>	06S15615Y25	RES,RK 101J 1/16 -CP
I.MX-P.W.Board(Main-unit)			<a href="#">R5002</a>	06S15615Y25	RES,RK 101J 1/16 -CP
I.MX-P.W.Board(Main-unit)			<a href="#">R5003</a>	06S15615Y25	RES,RK 101J 1/16 -CP
I.MX-P.W.Board(Main-unit)			<a href="#">R5004</a>	06S15615Y25	RES,RK 101J 1/16 -CP
I.MX-P.W.Board(Main-unit)			<a href="#">R5005</a>	06S15615Y25	RES,RK 101J 1/16 -CP
I.MX-P.W.Board(Main-unit)			<a href="#">R5006</a>	06S15616Y23	RES,RK JUMPER1/16-CP
I.MX-P.W.Board(Main-unit)			<a href="#">R5007</a>	06S15616Y23	RES,RK JUMPER1/16-CP
I.MX-P.W.Board(Main-unit)			<a href="#">R5008</a>	06S15616Y23	RES,RK JUMPER1/16-CP
I.MX-P.W.Board(Main-unit)			<a href="#">R5009</a>	06S15615Y21	RES,RK 68RJ 1/16 -CP
I.MX-P.W.Board(Main-unit)			<a href="#">R5100</a>	06S15615Y81	RES,RK 223J 1/16 -CP
I.MX-P.W.Board(Main-unit)			<a href="#">R5101</a>	06S15615Y81	RES,RK 223J 1/16 -CP
I.MX-P.W.Board(Main-unit)			<a href="#">R5102</a>	06S15615Y73	RES,RK 103J 1/16 -CP
I.MX-P.W.Board(Main-unit)			<a href="#">R5103</a>	06S15615Y81	RES,RK 223J 1/16 -CP
I.MX-P.W.Board(Main-unit)			<a href="#">R5104</a>	06S65415Y87	RES,RK 431F 1/16 -CP
I.MX-P.W.Board(Main-unit)			<a href="#">R5105</a>	06S65415Y87	RES,RK 431F 1/16 -CP
I.MX-P.W.Board(Main-unit)			<a href="#">R5106</a>	06S65415Y06	RES,RK 27RF 1/16 -CP
I.MX-P.W.Board(Main-unit)			<a href="#">R5107</a>	06S15615Y25	RES,RK 101J 1/16 -CP
I.MX-P.W.Board(Main-unit)			<a href="#">R5108</a>	06S70072F59	RES,CP .182-J-1/4-CP

P.W.Board	MIS	MODEL	Ref.	Parts No.	Parts Name
I.MX-P.W.Board(Main-unit)			<a href="#">R5109</a>	06S70072F59	RES,CP .182-J-1/4-CP
I.MX-P.W.Board(Main-unit)			<a href="#">R5110</a>	06S15616Y23	RES,RK JUMPER1/16-CP
I.MX-P.W.Board(Main-unit)			<a href="#">R5111</a>	06S15616Y23	RES,RK JUMPER1/16-CP
I.MX-P.W.Board(Main-unit)			<a href="#">R5112</a>	06S15615Y57	RES,RK 222J 1/16 -CP
I.MX-P.W.Board(Main-unit)			<a href="#">R5115</a>	06S15615Y73	RES,RK 103J 1/16 -CP
I.MX-P.W.Board(Main-unit)			<a href="#">R5116</a>	06S70072F29	RES,CP .101-J-1/4-CP
I.MX-P.W.Board(Main-unit)			<a href="#">R5117</a>	06S70072F29	RES,CP .101-J-1/4-CP
I.MX-P.W.Board(Main-unit)			<a href="#">R5119</a>	06S70072F77	RES,CP .103-J-1/4-CP
I.MX-P.W.Board(Main-unit)			<a href="#">R5120</a>	06S70072F29	RES,CP .101-J-1/4-CP
I.MX-P.W.Board(Main-unit)			<a href="#">R5122</a>	06S15616Y23	RES,RK JUMPER1/16-CP
I.MX-P.W.Board(Main-unit)			<a href="#">R5200</a>	06S45675W43	RES,RK JUMPER1/10-CP
I.MX-P.W.Board(Main-unit)			<a href="#">R5201</a>	06S45675W43	RES,RK JUMPER1/10-CP
I.MX-P.W.Board(Main-unit)			<a href="#">R5202</a>	06S45675W43	RES,RK JUMPER1/10-CP
I.MX-P.W.Board(Main-unit)			<a href="#">R5203</a>	06S45675W43	RES,RK JUMPER1/10-CP
I.MX-P.W.Board(Main-unit)			<a href="#">R5204</a>	06S45675W43	RES,RK JUMPER1/10-CP
I.MX-P.W.Board(Main-unit)			<a href="#">R5205</a>	06S45675W43	RES,RK JUMPER1/10-CP
I.MX-P.W.Board(Main-unit)			<a href="#">R5206</a>	06S70072F53	RES,CP .102-J-1/4-CP
I.MX-P.W.Board(Main-unit)			<a href="#">R5207</a>	06S70072F29	RES,CP .101-J-1/4-CP



P.W.Board	MIS	MODEL	Ref.	Parts No.	Parts Name
I.MX-P.W.Board(Main-unit)			<a href="#">R5228</a>	06S65415Y33	RES,RK 472F 1/16 -CP
I.MX-P.W.Board(Main-unit)			<a href="#">R5230</a>	06S15615Y73	RES,RK 103J 1/16 -CP
I.MX-P.W.Board(Main-unit)			<a href="#">R5232</a>	06S15615Y73	RES,RK 103J 1/16 -CP
I.MX-P.W.Board(Main-unit)			<a href="#">R5233</a>	06S15615Y25	RES,RK 101J 1/16 -CP
I.MX-P.W.Board(Main-unit)			<a href="#">R5234</a>	06S15615Y25	RES,RK 101J 1/16 -CP
I.MX-P.W.Board(Main-unit)			<a href="#">R5235</a>	06S15615Y25	RES,RK 101J 1/16 -CP
I.MX-P.W.Board(Main-unit)			<a href="#">R5236</a>	06S15615Y25	RES,RK 101J 1/16 -CP
I.MX-P.W.Board(Main-unit)			<a href="#">R5248</a>	06S65415Y33	RES,RK 472F 1/16 -CP
I.MX-P.W.Board(Main-unit)			<a href="#">R5300</a>	06S45675W43	RES,RK JUMPER1/10-CP
I.MX-P.W.Board(Main-unit)			<a href="#">R5301</a>	06S45675W43	RES,RK JUMPER1/10-CP
I.MX-P.W.Board(Main-unit)			<a href="#">R5302</a>	06S45675W43	RES,RK JUMPER1/10-CP
I.MX-P.W.Board(Main-unit)			<a href="#">R5303</a>	06S45675W43	RES,RK JUMPER1/10-CP
I.MX-P.W.Board(Main-unit)			<a href="#">R5304</a>	06S45675W43	RES,RK JUMPER1/10-CP
I.MX-P.W.Board(Main-unit)			<a href="#">R5305</a>	06S15615Y73	RES,RK 103J 1/16 -CP
I.MX-P.W.Board(Main-unit)			<a href="#">R5306</a>	06S15615Y25	RES,RK 101J 1/16 -CP
I.MX-P.W.Board(Main-unit)			<a href="#">R5308</a>	06S15615Y73	RES,RK 103J 1/16 -CP
I.MX-P.W.Board(Main-unit)			<a href="#">R5309</a>	06S15615Y73	RES,RK 103J 1/16 -CP
I.MX-P.W.Board(Main-unit)			<a href="#">R5312</a>	06S15615Y73	RES,RK 103J 1/16 -CP

P.W.Board	MIS	MODEL	Ref.	Parts No.	Parts Name
I.MX-P.W.Board(Main-unit)			<a href="#">R5313</a>	06S15616Y22	RES,RK 105J 1/16 -CP
I.MX-P.W.Board(Main-unit)			<a href="#">R5314</a>	06S15615Y49	RES,RK 102J 1/16 -CP
I.MX-P.W.Board(Main-unit)			<a href="#">R5316</a>	06S15615Y25	RES,RK 101J 1/16 -CP
I.MX-P.W.Board(Main-unit)			<a href="#">R5317</a>	06S15615Y25	RES,RK 101J 1/16 -CP
I.MX-P.W.Board(Main-unit)			<a href="#">R5318</a>	06S15615Y25	RES,RK 101J 1/16 -CP
I.MX-P.W.Board(Main-unit)			<a href="#">R5319</a>	06S15615Y25	RES,RK 101J 1/16 -CP
I.MX-P.W.Board(Main-unit)			<a href="#">R5320</a>	06S15615Y25	RES,RK 101J 1/16 -CP
I.MX-P.W.Board(Main-unit)			<a href="#">R5321</a>	06S15615Y25	RES,RK 101J 1/16 -CP
I.MX-P.W.Board(Main-unit)			<a href="#">R5322</a>	06S15615Y25	RES,RK 101J 1/16 -CP
I.MX-P.W.Board(Main-unit)			<a href="#">R5323</a>	06S15615Y25	RES,RK 101J 1/16 -CP
I.MX-P.W.Board(Main-unit)			<a href="#">R5324</a>	06S15615Y25	RES,RK 101J 1/16 -CP
I.MX-P.W.Board(Main-unit)			<a href="#">R5400</a>	06S15616Y23	RES,RK JUMPER1/16-CP
I.MX-P.W.Board(Main-unit)			<a href="#">R5401</a>	06S15615Y25	RES,RK 101J 1/16 -CP
I.MX-P.W.Board(Main-unit)			<a href="#">R5402</a>	06S15615Y25	RES,RK 101J 1/16 -CP
I.MX-P.W.Board(Main-unit)			<a href="#">R5403</a>	06S15615Y25	RES,RK 101J 1/16 -CP
I.MX-P.W.Board(Main-unit)			<a href="#">R5404</a>	06S15615Y25	RES,RK 101J 1/16 -CP
I.MX-P.W.Board(Main-unit)			<a href="#">R5405</a>	06S15615Y25	RES,RK 101J 1/16 -CP
I.MX-P.W.Board(Main-unit)			<a href="#">R5406</a>	06S15615Y73	RES,RK 103J 1/16 -CP

P.W.Board	MIS	MODEL	Ref.	Parts No.	Parts Name
I.MX-P.W.Board(Main-unit)			<a href="#">R5407</a>	06S15615Y73	RES,RK 103J 1/16 -CP
I.MX-P.W.Board(Main-unit)			<a href="#">R5408</a>	06S15615Y73	RES,RK 103J 1/16 -CP
I.MX-P.W.Board(Main-unit)			<a href="#">R5411</a>	06S15615Y65	RES,RK 472J 1/16 -CP
I.MX-P.W.Board(Main-unit)			<a href="#">R5412</a>	06S15616Y23	RES,RK JUMPER1/16-CP
I.MX-P.W.Board(Main-unit)			<a href="#">R5413</a>	06S15615Y73	RES,RK 103J 1/16 -CP
I.MX-P.W.Board(Main-unit)			<a href="#">R5414</a>	06S15616Y23	RES,RK JUMPER1/16-CP
I.MX-P.W.Board(Main-unit)			<a href="#">R5415</a>	06S15616Y23	RES,RK JUMPER1/16-CP
I.MX-P.W.Board(Main-unit)			<a href="#">R5416</a>	06S15615Y25	RES,RK 101J 1/16 -CP
I.MX-P.W.Board(Main-unit)			<a href="#">R5418</a>	06S15615Y73	RES,RK 103J 1/16 -CP
I.MX-P.W.Board(Main-unit)			<a href="#">R5419</a>	06S15616Y23	RES,RK JUMPER1/16-CP
I.MX-P.W.Board(Main-unit)			<a href="#">R5420</a>	06S15616Y23	RES,RK JUMPER1/16-CP
I.MX-P.W.Board(Main-unit)			<a href="#">R5421</a>	06S15616Y23	RES,RK JUMPER1/16-CP
I.MX-P.W.Board(Main-unit)			<a href="#">R5422</a>	06S15616Y23	RES,RK JUMPER1/16-CP
I.MX-P.W.Board(Main-unit)			<a href="#">R5423</a>	06S15616Y23	RES,RK JUMPER1/16-CP
I.MX-P.W.Board(Main-unit)			<a href="#">R5424</a>	06S15616Y23	RES,RK JUMPER1/16-CP
I.MX-P.W.Board(Main-unit)			<a href="#">R5425</a>	06S45675W43	RES,RK JUMPER1/10-CP
I.MX-P.W.Board(Main-unit)			<a href="#">R5426</a>	06S45675W43	RES,RK JUMPER1/10-CP
I.MX-P.W.Board(Main-unit)			<a href="#">R5427</a>	06S45675W43	RES,RK JUMPER1/10-CP





P.W.Board	MIS	MODEL	Ref.	Parts No.	Parts Name
I.MX-P.W.Board(Main-unit)			<a href="#">R5540</a>	06S15615Y49	RES,RK 102J 1/16 -CP
I.MX-P.W.Board(Main-unit)			<a href="#">R5541</a>	06S15615Y65	RES,RK 472J 1/16 -CP
I.MX-P.W.Board(Main-unit)			<a href="#">R5600</a>	06S15615Y73	RES,RK 103J 1/16 -CP
I.MX-P.W.Board(Main-unit)			<a href="#">R5601</a>	06S15615Y73	RES,RK 103J 1/16 -CP
I.MX-P.W.Board(Main-unit)			<a href="#">R5602</a>	06S15615Y73	RES,RK 103J 1/16 -CP
I.MX-P.W.Board(Main-unit)			<a href="#">R5603</a>	06S15615Y73	RES,RK 103J 1/16 -CP
I.MX-P.W.Board(Main-unit)			<a href="#">R5604</a>	06S15615Y25	RES,RK 101J 1/16 -CP
I.MX-P.W.Board(Main-unit)			<a href="#">R5605</a>	06S65415Y47	RES,RK 683F 1/16 -CP
I.MX-P.W.Board(Main-unit)			<a href="#">R5606</a>	06S65415Y29	RES,RK 222F 1/16 -CP
I.MX-P.W.Board(Main-unit)			<a href="#">R5607</a>	06S65415Y47	RES,RK 683F 1/16 -CP
I.MX-P.W.Board(Main-unit)			<a href="#">R5608</a>	06S65415Y33	RES,RK 472F 1/16 -CP
I.MX-P.W.Board(Main-unit)			<a href="#">R5609</a>	06S65415Y99	RES,RK 512F 1/16 -CP
I.MX-P.W.Board(Main-unit)			<a href="#">R5610</a>	06-25919Z16	RES,RK 134F 1/16 -CP
I.MX-P.W.Board(Main-unit)			<a href="#">R5611</a>	06S65415Y47	RES,RK 683F 1/16 -CP
I.MX-P.W.Board(Main-unit)			<a href="#">R5612</a>	06S65415Y37	RES,RK 103F 1/16 -CP
I.MX-P.W.Board(Main-unit)			<a href="#">R5613</a>	06S65415Y41	RES,RK 223F 1/16 -CP
I.MX-P.W.Board(Main-unit)			<a href="#">R5614</a>	06S65415Y17	RES,RK 221F 1/16 -CP
I.MX-P.W.Board(Main-unit)			<a href="#">R5617</a>	06S65415Y47	RES,RK 683F 1/16 -CP



P.W.Board	MIS	MODEL	Ref.	Parts No.	Parts Name
I.MX-P.W.Board(Main-unit)			<a href="#">R5637</a>	06S65415Y47	RES,RK 683F 1/16 -CP
I.MX-P.W.Board(Main-unit)			<a href="#">R5638</a>	06S65415Y66	RES,RK 622F 1/16 -CP
I.MX-P.W.Board(Main-unit)			<a href="#">R5639</a>	06S65415Y47	RES,RK 683F 1/16 -CP
I.MX-P.W.Board(Main-unit)			<a href="#">R5640</a>	06S15615Y41	RES,RK 471J 1/16 -CP
I.MX-P.W.Board(Main-unit)			<a href="#">R5641</a>	06S65415Y35	RES,RK 682F 1/16 -CP
I.MX-P.W.Board(Main-unit)			<a href="#">R5642</a>	06S65415Y44	RES,RK 393F 1/16 -CP
I.MX-P.W.Board(Main-unit)			<a href="#">R5643</a>	06S65415Y53	RES,RK 224F 1/16 -CP
I.MX-P.W.Board(Main-unit)			<a href="#">R5644</a>	06-25919Z13	RES,RK 753F 1/16 -CP
I.MX-P.W.Board(Main-unit)			<a href="#">R5645</a>	06S15615Y41	RES,RK 471J 1/16 -CP
I.MX-P.W.Board(Main-unit)			<a href="#">R5646</a>	06S15615Y41	RES,RK 471J 1/16 -CP
I.MX-P.W.Board(Main-unit)			<a href="#">R5647</a>	06S15615Y41	RES,RK 471J 1/16 -CP
I.MX-P.W.Board(Main-unit)			<a href="#">R5648</a>	06S15616Y23	RES,RK JUMPER1/16-CP
I.MX-P.W.Board(Main-unit)			<a href="#">R5650</a>	06S15615Y25	RES,RK 101J 1/16 -CP
I.MX-P.W.Board(Main-unit)			<a href="#">R5651</a>	06S15615Y67	RES,RK 562J 1/16 -CP
I.MX-P.W.Board(Main-unit)			<a href="#">R5652</a>	06S65415Y31	RES,RK 332F 1/16 -CP
I.MX-P.W.Board(Main-unit)			<a href="#">R5653</a>	06S65415Y26	RES,RK 122F 1/16 -CP
I.MX-P.W.Board(Main-unit)			<a href="#">R5654</a>	06S65415Y38	RES,RK 123F 1/16 -CP
I.MX-P.W.Board(Main-unit)			<a href="#">R5655</a>	06S65415Y42	RES,RK 273F 1/16 -CP





P.W.Board	MIS	MODEL	Ref.	Parts No.	Parts Name
I.MX-P.W.Board(Main-unit)			<a href="#">R6013</a>	06S65415Y30	RES,RK 272F 1/16 -CP
I.MX-P.W.Board(Main-unit)			<a href="#">R6014</a>	06S65415Y33	RES,RK 472F 1/16 -CP
I.MX-P.W.Board(Main-unit)			<a href="#">R6015</a>	06S15593Y93	RES,RK 683F 1/10 -CP
I.MX-P.W.Board(Main-unit)			<a href="#">R6016</a>	06S15594Y09	RES,RK 304F 1/10 -CP
I.MX-P.W.Board(Main-unit)			<a href="#">R6029</a>	06S15616Y23	RES,RK JUMPER1/16-CP
I.MX-P.W.Board(Main-unit)			<a href="#">R6104</a>	06S15615Y57	RES,RK 222J 1/16 -CP
I.MX-P.W.Board(Main-unit)			<a href="#">R6115</a>	06S15615Y25	RES,RK 101J 1/16 -CP
I.MX-P.W.Board(Main-unit)			<a href="#">R6225</a>	06S15615Y73	RES,RK 103J 1/16 -CP
I.MX-P.W.Board(Main-unit)			<a href="#">R6303</a>	06S15615Y65	RES,RK 472J 1/16 -CP
I.MX-P.W.Board(Main-unit)			<a href="#">R6304</a>	06S15615Y09	RES,RK 22RJ 1/16 -CP
I.MX-P.W.Board(Main-unit)			<a href="#">R6305</a>	06S15615Y09	RES,RK 22RJ 1/16 -CP
I.MX-P.W.Board(Main-unit)			<a href="#">R6308</a>	06S15616Y23	RES,RK JUMPER1/16-CP
I.MX-P.W.Board(Main-unit)			<a href="#">R6309</a>	06S15615Y09	RES,RK 22RJ 1/16 -CP
I.MX-P.W.Board(Main-unit)			<a href="#">R6310</a>	06S15616Y23	RES,RK JUMPER1/16-CP
I.MX-P.W.Board(Main-unit)			<a href="#">R6311</a>	06S15616Y23	RES,RK JUMPER1/16-CP
I.MX-P.W.Board(Main-unit)			<a href="#">R6401</a>	06S70072F41	RES,CP .331-J-1/4-CP
I.MX-P.W.Board(Main-unit)			<a href="#">R6402</a>	06S35083Y86	RES,RK 75RF 1/4 -CP
I.MX-P.W.Board(Main-unit)			<a href="#">R6403</a>	06S45674W57	RES,RK 102J 1/10 -CP










P.W.Board	MIS	MODEL	Ref.	Parts No.	Parts Name
I.MX-P.W.Board(Main-unit)			<a href="#">TML5400</a>	29-22483Z02	OG-453065 -E5
I.MX-P.W.Board(Main-unit)			<a href="#">TML5401</a>	29-22483Z02	OG-453065 -E5
I.MX-P.W.Board(Main-unit)			<a href="#">TML6300</a>	29-22483Z02	OG-453065 -E5
I.MX-P.W.Board(Main-unit)			<a href="#">XL4000</a>	91-26661Z36	XTL,NX3225SAAG24.0CP
I.MX-P.W.Board(Main-unit)			<a href="#">XL4001</a>	91-26198Z03	XTL,NX3215 32.7NS-E1
I.MX-P.W.Board(Main-unit)			<a href="#">XL5200</a>	91-26661Z32	XTL,NX3225SAAG28.6CP
I.MX-P.W.Board(Main-unit)			<a href="#">XL5300</a>	91-26661Z24	XTL,NX3225SAAG25.0CP
I.MX-P.W.Board(Main-unit)			<a href="#">XL6401</a>	91-16024Z01	XTL,AT-41CD2 3.98-E9
I.MX-P.W.Board(Main-unit)			<a href="#">ZD5100</a>	48-28494Z01	DIO,ZEN ECMF04-4H-CP
I.MX-P.W.Board(Main-unit)			<a href="#">ZD5101</a>	48-28494Z01	DIO,ZEN ECMF04-4H-CP
I.MX-P.W.Board(Main-unit)			<a href="#">ZD5200</a>	48-28494Z01	DIO,ZEN ECMF04-4H-CP
I.MX-P.W.Board(Main-unit)			<a href="#">ZD5201</a>	48-28494Z01	DIO,ZEN ECMF04-4H-CP
I.MX-P.W.Board(Main-unit)			<a href="#">ZD5202</a>	48-16145Z20	DIO,ZEN PZU5.1B3 -CP
I.MX-P.W.Board(Main-unit)			<a href="#">ZD5203</a>	48-25907Z01	DIO,ZEN PESD5V0F1-CP
I.MX-P.W.Board(Main-unit)			<a href="#">ZD5204</a>	48-25907Z01	DIO,ZEN PESD5V0F1-CP
I.MX-P.W.Board(Main-unit)			<a href="#">ZD5205</a>	48-25907Z01	DIO,ZEN PESD5V0F1-CP
I.MX-P.W.Board(Main-unit)			<a href="#">ZD5206</a>	48-25907Z01	DIO,ZEN PESD5V0F1-CP
I.MX-P.W.Board(Main-unit)			<a href="#">ZD6402</a>	48-16145Z22	DIO,ZEN PZU5.6B2 -CP

P.W.Board	MIS	MODEL	Ref.	Parts No.	Parts Name
I.MX-P.W.Board(Main-unit)			<a href="#">ZD6403</a>	48-16145Z22	DIO,ZEN PZU5.6B2 -CP
GPS-P.W.Board(Main-unit)	E		<a href="#">ANT900</a>	09T45601Y01	GT5-1P-DS(70) -DB
GPS-P.W.Board(Main-unit)			<a href="#">C905</a>	08S35349Y16	CAP,CER 105K-B1A -CP
GPS-P.W.Board(Main-unit)			<a href="#">C906</a>	08S45676W80	CAP,CER 223K-B1E -CP
GPS-P.W.Board(Main-unit)			<a href="#">C907</a>	08S45677W40	CAP,CER.151J-CH1H-CP
GPS-P.W.Board(Main-unit)			<a href="#">C908</a>	08S45232Y17	CAP,CER 104K-B0J -CP
GPS-P.W.Board(Main-unit)			<a href="#">C909</a>	08S45231Y14	CAP,CER 12RJ-CH1H-CP
GPS-P.W.Board(Main-unit)			<a href="#">C910</a>	08S35349Y21	CAP,CER 104K-B1H -CP
GPS-P.W.Board(Main-unit)			<a href="#">C911</a>	08S65669Y03	CAP,CER 224KX7R1H-CP
GPS-P.W.Board(Main-unit)			<a href="#">C912</a>	08S45231Y19	CAP,CER 33RJ-CH1H-CP
GPS-P.W.Board(Main-unit)			<a href="#">C913</a>	08S35374W12	CAP,CER 106K-B0J -CP
GPS-P.W.Board(Main-unit)			<a href="#">C914</a>	08S65669Y03	CAP,CER 224KX7R1H-CP
GPS-P.W.Board(Main-unit)			<a href="#">C915</a>	08S35374W12	CAP,CER 106K-B0J -CP
GPS-P.W.Board(Main-unit)			<a href="#">C917</a>	08S45231Y17	CAP,CER 22RJ-CH1H-CP
GPS-P.W.Board(Main-unit)			<a href="#">C918</a>	08S35374W12	CAP,CER 106K-B0J -CP
GPS-P.W.Board(Main-unit)			<a href="#">C919</a>	08S65669Y03	CAP,CER 224KX7R1H-CP
GPS-P.W.Board(Main-unit)			<a href="#">C920</a>	08S65669Y03	CAP,CER 224KX7R1H-CP
GPS-P.W.Board(Main-unit)			<a href="#">C921</a>	08S65669Y03	CAP,CER 224KX7R1H-CP

P.W.Board	MIS	MODEL	Ref.	Parts No.	Parts Name
GPS-P.W.Board(Main-unit)			<a href="#">C922</a>	08S65677Y06	CAP,CER 226MX7R1C-CP
GPS-P.W.Board(Main-unit)			<a href="#">C923</a>	08-16834Z01	CAP,CER 104KX7R1H-CP
GPS-P.W.Board(Main-unit)			<a href="#">C924</a>	08S35349Y17	CAP,CER 225K-B0J -CP
GPS-P.W.Board(Main-unit)			<a href="#">C925</a>	08S65676Y03	CAP,CER 225KX7R1C-CP
GPS-P.W.Board(Main-unit)			<a href="#">C926</a>	08S45231Y29	CAP,CER 221J-CH1H-CP
GPS-P.W.Board(Main-unit)			<a href="#">C928</a>	08S35374W12	CAP,CER 106K-B0J -CP
GPS-P.W.Board(Main-unit)			<a href="#">C929</a>	08S35374W12	CAP,CER 106K-B0J -CP
GPS-P.W.Board(Main-unit)			<a href="#">C930</a>	08S65667Y01	CAP,CER 224KX5R1C-CP
GPS-P.W.Board(Main-unit)			<a href="#">CH900</a>	09-32417Z01	BTB,IMSA9984S-100YEZ
GPS-P.W.Board(Main-unit)			<a href="#">D900</a>	48T94608F01	DIO,DA204U(MIN) -CP
GPS-P.W.Board(Main-unit)			<a href="#">IC901</a>	51T93332F02	NJM2903V-TE2 -SE2
GPS-P.W.Board(Main-unit)			<a href="#">IC902</a>	51-33995Z01	ASSY,GYR SMI130 -EE2
GPS-P.W.Board(Main-unit)			<a href="#">IC903</a>	51-18743Z01	TLF4277EL -SE2
GPS-P.W.Board(Main-unit)			<a href="#">L900</a>	24T95456W31	FBI,BLM18PG471SH1-CP
GPS-P.W.Board(Main-unit)			<a href="#">L901</a>	24T75143Y22	IND,HK1005 R056J -CP
GPS-P.W.Board(Main-unit)			<a href="#">Q900</a>	48-13000Z01	TR,DTC114EUBTL -CP
GPS-P.W.Board(Main-unit)			<a href="#">Q901</a>	48-13000Z05	TR,DTC124EUBTL -CP
GPS-P.W.Board(Main-unit)			<a href="#">R901</a>	06S65415Y29	RES,RK 222F 1/16 -CP

P.W.Board	MIS	MODEL	Ref.	Parts No.	Parts Name
GPS-P.W.Board(Main-unit)			<a href="#">R902</a>	06S70072F77	RES,CP .103-J-1/4-CP
GPS-P.W.Board(Main-unit)			<a href="#">R903</a>	06S15615Y97	RES,RK 104J 1/16 -CP
GPS-P.W.Board(Main-unit)			<a href="#">R904</a>	06S15615Y73	RES,RK 103J 1/16 -CP
GPS-P.W.Board(Main-unit)			<a href="#">R905</a>	06S15615Y73	RES,RK 103J 1/16 -CP
GPS-P.W.Board(Main-unit)			<a href="#">R906</a>	06S15615Y73	RES,RK 103J 1/16 -CP
GPS-P.W.Board(Main-unit)			<a href="#">R907</a>	06S15615Y73	RES,RK 103J 1/16 -CP
GPS-P.W.Board(Main-unit)			<a href="#">R908</a>	06S15615Y89	RES,RK 473J 1/16 -CP
GPS-P.W.Board(Main-unit)			<a href="#">R909</a>	06S35095Y03	RES,RK 473J 1/4 -CP
GPS-P.W.Board(Main-unit)			<a href="#">R910</a>	06S15593Y78	RES,RK 163F 1/10 -CP
GPS-P.W.Board(Main-unit)			<a href="#">R911</a>	06S15593Y82	RES,RK 243F 1/10 -CP
GPS-P.W.Board(Main-unit)			<a href="#">R913</a>	06S15616Y23	RES,RK JUMPER1/16-CP
GPS-P.W.Board(Main-unit)			<a href="#">R914</a>	06S15615Y13	RES,RK 33RJ 1/16 -CP
GPS-P.W.Board(Main-unit)			<a href="#">R915</a>	06S15615Y81	RES,RK 223J 1/16 -CP
GPS-P.W.Board(Main-unit)			<a href="#">R916</a>	06S15616Y23	RES,RK JUMPER1/16-CP
GPS-P.W.Board(Main-unit)			<a href="#">R917</a>	06S15616Y23	RES,RK JUMPER1/16-CP
GPS-P.W.Board(Main-unit)			<a href="#">R918</a>	06S15615Y57	RES,RK 222J 1/16 -CP
GPS-P.W.Board(Main-unit)			<a href="#">R919</a>	06S15615Y57	RES,RK 222J 1/16 -CP
GPS-P.W.Board(Main-unit)			<a href="#">R920</a>	06S15616Y23	RES,RK JUMPER1/16-CP



P.W.Board	MIS	MODEL	Ref.	Parts No.	Parts Name
Miscellaneous			<a href="#">ANT5502</a>	09-24492Z04	ASSY,U.FL-2LP-066N1
Miscellaneous			<a href="#">ET3150</a>	09-19615Z02	ASSY,ANID-0139-02A
Miscellaneous			<a href="#">M3490</a>	59-14185Z03	MOTOR,ASB0412MA-9D11