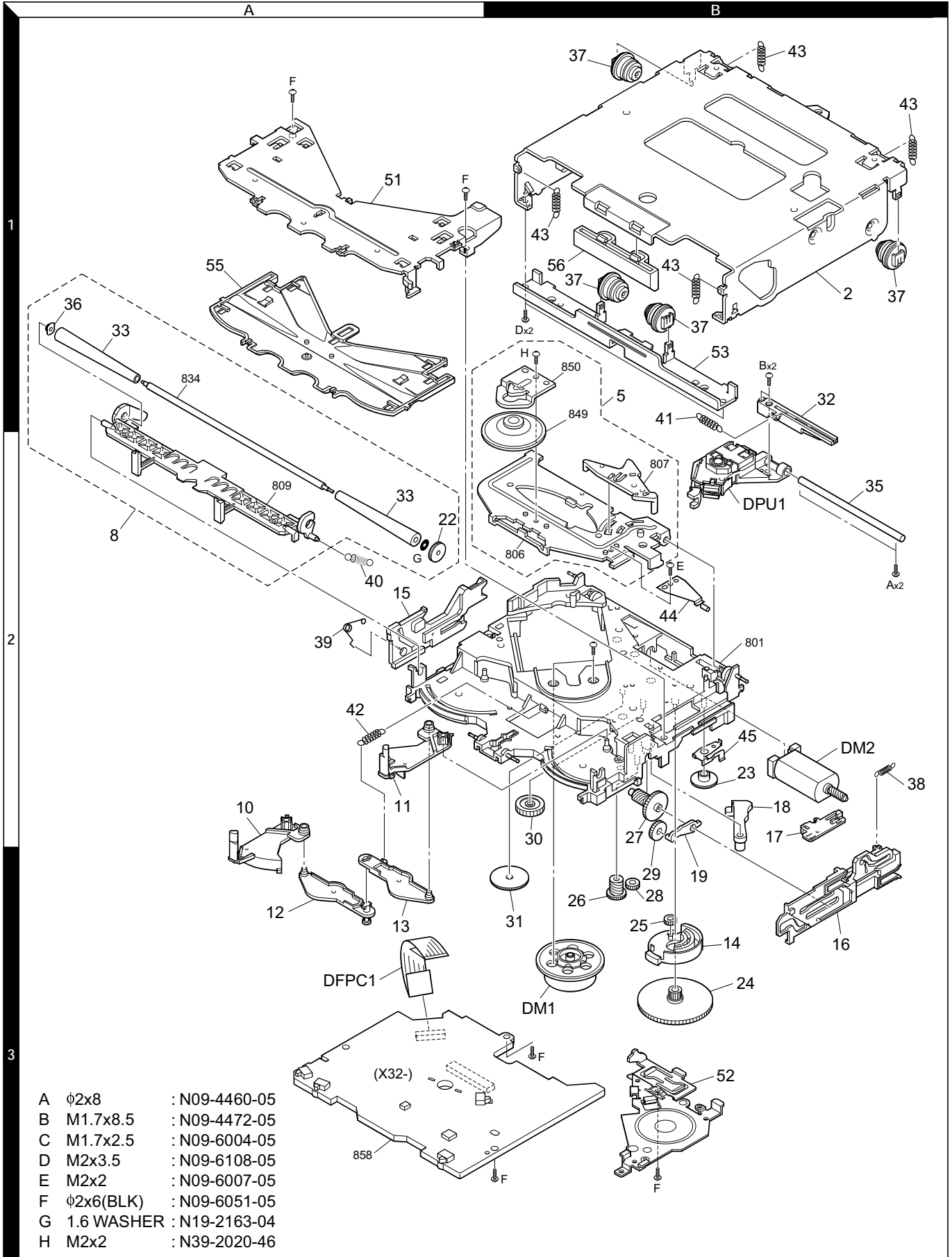
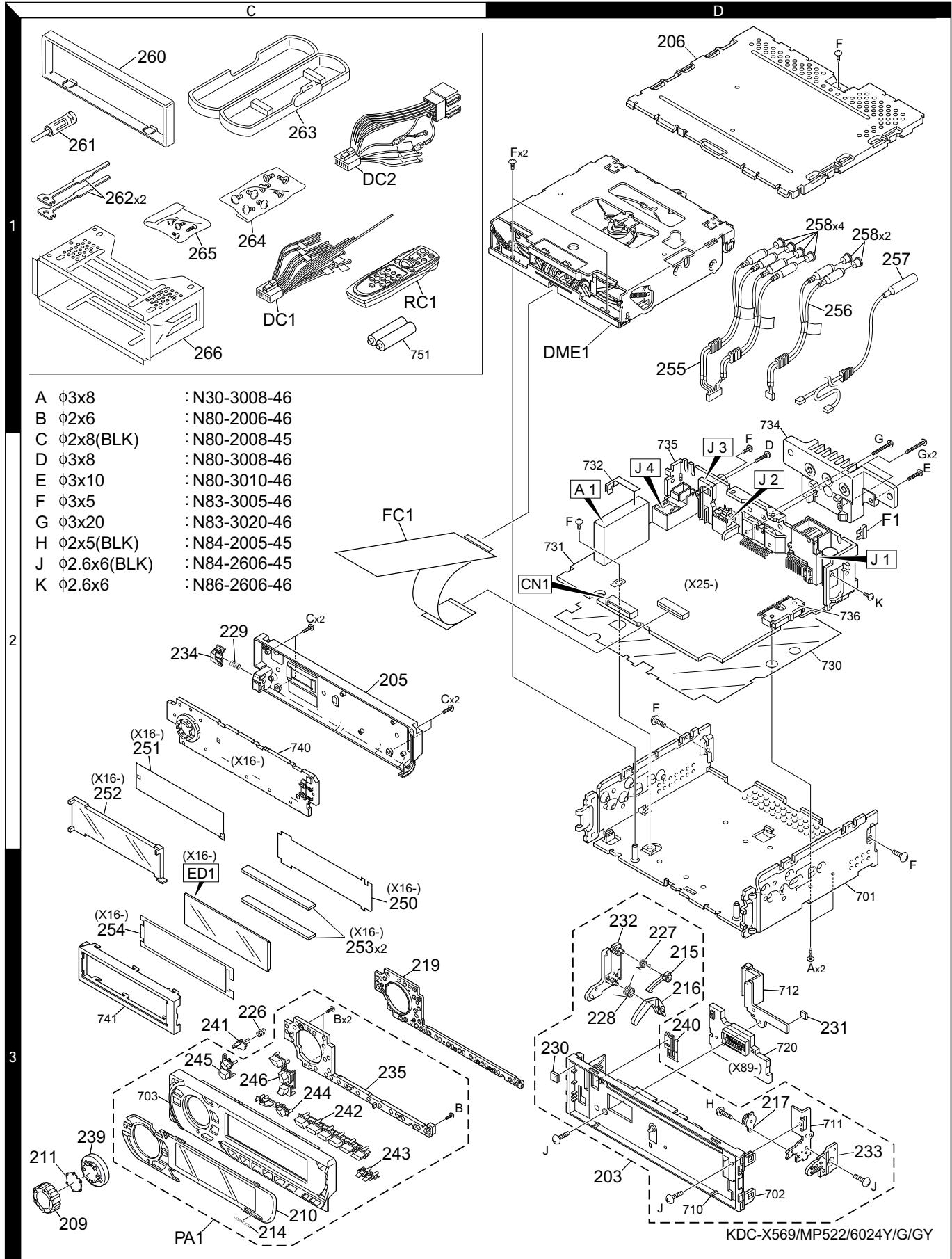


# EXPLODED VIEW (MECHANISM)



Parts with the exploded numbers larger than 700 are not supplied.

# EXPLODED VIEW (UNIT)



# PARTS LIST

\* New Parts

Parts without **Parts No.** are not supplied.

Les articles non mentionnes dans le **Parts No.** ne sont pas fournis.

Teile ohne **Parts No.** werden nicht geliefert.

Ref. No.	A d d	N e w	Parts No.	Description	Dest inati on
<b>KDC-M6024/G/GY/Y, MP522, X569</b>					
203	3D	*	A22-2982-02	SUB PANEL ASSY	
205	2C	*	A46-1778-01	REAR COVER	
206	1D	*	A52-0829-02	TOP PLATE	
263	1C	*	A02-1486-13	PLASTIC CABINET ASSY	
PA1	3C	*	A64-2821-02	PANEL ASSY	K1
PA1	3C	*	A64-2822-02	PANEL ASSY	K2
PA1	3C	*	A64-2836-02	PANEL ASSY	EE2
PA1	3C	*	A64-2855-02	PANEL ASSY	E1E3
RC1	1C	*	A70-2040-05	REMOTE CONTROLLER ASSY(RC-505)	K1K2
-			B46-0100-50	WARRANTY CARD	E3
-			B46-0100-50	WARRANTY CARD	K1K2E2
-			B46-0606-04	ID CARD	K1K2
-			B46-0612-14	ID CARD	EE1E2
-			B46-0612-14	ID CARD	E3
-			B46-0648-03	USER CARD	K1
-			B46-0653-03	USER CARD	K1K2
-		*	B64-2516-00	INST. MANUAL (ENG,FRE,SPA)	K1K2
-		*	B64-2519-00	INST. MANUAL (ENGLISH)	E2E3
-		*	B64-2520-00	INST. MANUAL (FRE,GER,DUT)	E2E3
-		*	B64-2521-00	INST. MANUAL (ITA,SPA,POR)	E2E3
-		*	B64-2522-00	INST. MANUAL (ENG,RUS)	EE1
-		*	B64-2523-00	INST. MANUAL (POL,CZE,HUN)	EE1
-		*	B64-2524-00	INST. MANUAL (CRO,SWE,FIN)	EE1
209	3C	*	B09-0529-03	CAP	
210	3C	*	B10-4301-01	FRONT GLASS	K1
210	3C	*	B10-4302-01	FRONT GLASS	K2
210	3C	*	B10-4312-01	FRONT GLASS	EE2
210	3C	*	B10-4328-01	FRONT GLASS	E1E3
211	3C	*	B19-2200-04	LIGHTING BOARD	
214	3C		B43-1284-04	BADGE	
260	1C		B07-3022-02	ESCUTCHEON	K2E1E3
260	1C		B07-3075-02	ESCUTCHEON	K1
260	1C		B07-3083-02	ESCUTCHEON	EE2
215	3D		D10-4730-03	LEVER	
216	3D		D10-4731-03	LEVER	
217	3D		D39-0255-05	DAMPER	
262	1C		D10-4589-04	LEVER	
219	3C	*	E29-1927-02	CONDUCTIVE RUBBER	
255	1D		E30-6227-05	CORD WITH PINPLUG	K1
256	1D	*	E30-6229-05	CORD WITH PINPLUG	E2E3
256	1D	*	E30-6229-05	CORD WITH PINPLUG	K2EE1
257	1D	*	E30-6223-05	CORD WITH DIN CONNECTOR	EE1E2
257	1D	*	E30-6223-05	CORD WITH DIN CONNECTOR	E3
△ DC1	1C		E30-4939-05	DC CORD	K1
△ DC1	1C		E30-4940-05	DC CORD	K2
△ DC2	1C		E30-4944-05	DC CORD	EE1
△ DC2	1C		E30-4958-05	DC CORD	E2E3
FC1	2C		E39-0438-05	FLAT CABLE (24PIN)	
258	1D		F29-0626-04	INSULATING COVER	E1
258	1D		F29-0626-04	INSULATING COVER	K1K2E
△ F1	2D		F52-0006-05	FUSE(MINI BLADE TYPE : 10A)	

Ref. No.	A d d	N e w	Parts No.	Description	Dest inati on
226	3C		G01-3129-04	COMPRESSION SPRING	
227	3D	*	G01-3171-04	TORSION COIL SPRING	
228	3D	*	G01-3172-04	TORSION COIL SPRING	
229	2C	*	G01-3173-04	COMPRESSION SPRING	
230	3D	*	G13-1267-04	CUSHION	
231	3D	*	G13-1268-04	CUSHION	
-			H10-4856-12	POLYSTYRENE FOAMED FIXTURE	E1
-			H10-4856-12	POLYSTYRENE FOAMED FIXTURE	K1K2E
-			H10-4857-02	POLYSTYRENE FOAMED FIXTURE	E2E3
-			H25-0329-04	PROTECTION BAG (280X450X0.03)	E1
-			H25-0329-04	PROTECTION BAG (280X450X0.03)	K1K2E
-			H25-0337-04	PROTECTION BAG (180X300X0.03)	
-			H25-1111-04	PROTECTION BAG (280X450X0.03)	E2E3
-		*	H54-2775-03	ITEM CARTON CASE	K1
-		*	H54-2776-03	ITEM CARTON CASE	K2
-		*	H54-2788-03	ITEM CARTON CASE	E
-		*	H54-2789-03	ITEM CARTON CASE	E1
-		*	H54-2794-03	ITEM CARTON CASE	E2
-		*	H54-2795-03	ITEM CARTON CASE	E3
232	3D	*	J19-5203-03	HOLDER	
233	3D	*	J19-5204-03	HOLDER	
234	2C	*	J19-5205-03	HOLDER	
235	3C	*	J19-5206-02	HOLDER	
266	1C		J21-9716-03	MOUNTING HARDWARE ASSY	
239	3C	*	K23-1072-03	KNOB (VOL)	E2E3
239	3C	*	K23-1072-13	KNOB (VOL)	E1
239	3C	*	K23-1072-13	KNOB (VOL)	K1K2E
240	3D	*	K24-4000-03	KNOB (EJECT)	
241	3C	*	K24-4002-04	KNOB (DOOR)	
242	3C	*	K25-1521-03	KNOB (1-6)	
243	3C	*	K25-1522-04	KNOB (DISP)	
244	3C	*	K25-1523-03	KNOB (PLAY,STOP)	
245	3C	*	K25-1524-03	KNOB (FM,AM)	
246	3C	*	K25-1525-03	KNOB (SRC,SKIP)	
264	1C		N99-1719-05	SCREW SET	K1K2
265	1C	*	N99-1730-15	SCREW SET	
A	3D		N30-3008-46	PAN HEAD MACHINE SCREW	
B	3C		N80-2006-46	PAN HEAD TAPTITE SCREW	
C	2C		N80-2008-45	PAN HEAD TAPTITE SCREW	
F	2D		N83-3005-46	PAN HEAD TAPTITE SCREW	
H	3D		N84-2005-45	PAN HEAD TAPTITE SCREW	
J	3D		N84-2606-45	PAN HEAD TAPTITE SCREW	
261	1C		T90-0523-05	ANTENNA ADAPTOR	EE1E2
261	1C		T90-0523-05	ANTENNA ADAPTOR	E3
-	*		X16-2020-10	SWITCH UNIT	E1
-	*		X16-2020-10	SWITCH UNIT	K1K2E
-	*		X16-2222-70	SWITCH UNIT	E2E3
-	*		X25-9570-10	ELECTRIC UNIT	K1
-	*		X25-9570-11	ELECTRIC UNIT	K2
-	*		X25-9572-71	ELECTRIC UNIT	EE1
-	*		X25-9712-70	ELECTRIC UNIT	E2E3
-	*		X89-2570-10	DAUGHTER UNIT	E1
-	*		X89-2570-10	DAUGHTER UNIT	K1K2E

K1: KDC-X569    K2: KDC-MP522    E: KDC-M6024GY  
E1: KDC-M6024Y    E2: KDC-M6024G    E3: KDC-M6024

△ indicates safety critical components.

# PARTS LIST

\* New Parts

Parts without **Parts No.** are not supplied.

Les articles non mentionnes dans le **Parts No.** ne sont pas fournis.

Teile ohne **Parts No.** werden nicht geliefert.

Ref. No.	A d d	N e w	Parts No.	Description	Dest inati on
-		*	X89-2602-70	DAUGHTER UNIT	E2E3
DME1	1D	*	X92-4670-00	MECHANISM ASSY (DXM-6410W)	E1
DME1	1D	*	X92-4670-00	MECHANISM ASSY (DXM-6410W)	K1K2E
DME1	1D	*	X92-4670-01	MECHANISM ASSY (DXM-6411W)	E2E3
<b>SWITCH UNIT (X16-2020-10/2222-70)</b>					
250	3C	*	B11-1396-04	OPTICAL DIFFUSER	
251	2C	*	B11-1397-04	REFLECTION SHEET	
252	2C	*	B19-2199-03	LIGHTING BOARD	
D1 -14			B30-1605-05	LED(2COLOR PG/RED)	
D15 ,16			B30-1564-05	LED(1608,BLUE)	
D17 ,18			B30-1571-05	LED(WHITE)	
ED1			B38-1103-05	LIQUID CRYSTAL	
C1			CK73GB1H102K	CHIP C 1000PF K	
C2 -5			CK73GB1C104K	CHIP C 0.10UF K	
C6			CK73GB1H103K	CHIP C 0.010UF K	
C7			CK73FB1A225K	CHIP C 2.2UF K	
C8 -13			CK73GB1H103K	CHIP C 0.010UF K	
253	3C		E29-1925-04	CONDUCTIVE RUBBER	
J1			E59-0829-05	RECTANGULAR PLUG	
254	3C	*	F09-1823-04	SHEET	
CP1			R90-0714-05	MULTI-COMP 10K X4	
CP3			R90-1016-05	MULTI-COMP 470 X4	
R1			RK73GB2A303J	CHIP R 30K J 1/10W	
R2 -5			RK73GB2A222J	CHIP R 2.2K J 1/10W	
R6			RK73GB2A473J	CHIP R 47K J 1/10W	
R9			RK73GB2A392J	CHIP R 3.9K J 1/10W	
R10			RK73GB2A751J	CHIP R 750 J 1/10W	
R11			RK73GB2A4R7J	CHIP R 4.7 J 1/10W	
R13			RK73GB2A101J	CHIP R 100 J 1/10W	
R15			RK73GB2A102J	CHIP R 1.0K J 1/10W	
R16 -19			RK73GB2A222J	CHIP R 2.2K J 1/10W	
R20 -23			RK73FB2B331J	CHIP R 330 J 1/8W	
R24 ,25			RK73FB2B361J	CHIP R 360 J 1/8W	
R26			RK73FB2B271J	CHIP R 270 J 1/8W	
R27 ,28			RK73GB2A472J	CHIP R 4.7K J 1/10W	
S24			T99-0446-05	ROTARY ENCODER	
D19			MA3091-L	ZENER DIODE	
IC1			LC75808W	MOS-IC	
IC2			PNA4S22M	ANALOGUE IC	
Q1			2SC4081	TRANSISTOR	
Q2			DTA114EUA	DIGITAL TRANSISTOR	
Q3 -5			2SC4081	TRANSISTOR	
<b>ELECTRIC UNIT (X25-9570-1x/9572-71/9712-70)</b>					
C1			C90-5235-05	ELECTRO 2200UF 16WV	E2E3
C1			C90-5235-05	ELECTRO 2200UF 16WV	K2EE1
C1			C90-5484-05	ALMINIUM ELECTROLYTIC C.	K1
C2			CK73GB1H103K	CHIP C 0.010UF K	
C3			CK73GB1H102K	CHIP C 1000PF K	
C4 -6			CK73GB1H103K	CHIP C 0.010UF K	
C21			CE04NW1A101M	ELECTRO 100UF 10WV	
C22			CE04NW1E100M	ELECTRO 10UF 25WV	EE1E2
C22			CE04NW1E100M	ELECTRO 10UF 25WV	E3

Ref. No.	A d d	N e w	Parts No.	Description	Dest inati on
C22 ,23			CE04NW1E100M	ELECTRO 10UF 25WV	K1K2
C24 ,25			CE04NW1C100M	ELECTRO 10UF 16WV	
C26			CE04NW1E100M	ELECTRO 10UF 25WV	
C27			CE04CW1H100M	ELECTRO 10UF 50WV	
C28			C90-2926-05	ELECTRO 220UF 16WV	
C29			CE04NW1C100M	ELECTRO 10UF 16WV	
C31			CK73GB1H103K	CHIP C 0.010UF K	EE1E2
C31			CK73GB1H103K	CHIP C 0.010UF K	E3
C32			CK73GB1E223K	CHIP C 0.022UF K	
C33			CE04NW1H010M	ELECTRO 1.0UF 50WV	
C34			CK73GB1H103K	CHIP C 0.010UF K	
C41 ,42			C90-2963-05	ELECTRO 100UF 25WV	
C43 ,44			C90-5418-05	ELECTRO 220UF 16WV	
C45			CK73GB1A224K	CHIP C 0.22UF K	
C51 ,52			CK73GB1H103K	CHIP C 0.010UF K	
C111			CK73GB1H102K	CHIP C 1000PF K	
C112,113			CC73GCH1H270J	CHIP C 27PF J	EE1E2
C112,113			CC73GCH1H270J	CHIP C 27PF J	E3
C114			CK73GB1H103K	CHIP C 0.010UF K	EE1E2
C114			CK73GB1H103K	CHIP C 0.010UF K	E3
C115			CE04NW1C100M	ELECTRO 10UF 16WV	EE1E2
C115			CE04NW1C100M	ELECTRO 10UF 16WV	E3
C116			CC73GCH1H331J	CHIP C 330PF J	EE1E2
C116			CC73GCH1H331J	CHIP C 330PF J	E3
C117			CE04NW1H2R2M	ELECTRO 2.2UF 50WV	EE1E2
C117			CE04NW1H2R2M	ELECTRO 2.2UF 50WV	E3
C118			CC73GCH1H681J	CHIP C 680PF J	EE1E2
C118			CC73GCH1H681J	CHIP C 680PF J	E3
C119			CK73GB1H103K	CHIP C 0.010UF K	
C163			CK73GB1A224K	CHIP C 0.22UF K	
C201,202			CE04NW1HR47M	ELECTRO 0.47UF 50WV	
C203			CK73GB1H223K	CHIP C 0.022UF K	
C204			CK73GB1H103K	CHIP C 0.010UF K	
C205			CK73GB1A474K	CHIP C 0.47UF K	
C206			CC73GCH1H151J	CHIP C 150PF J	
C207,208			CE04NW1H010M	ELECTRO 1.0UF 50WV	K1
C209			CE04MW1H2R2M	ELECTRO 2.2UF 50WV	K1
C209			CE04NW1H2R2M	ELECTRO 2.2UF 50WV	E2E3
C209			CE04NW1H2R2M	ELECTRO 2.2UF 50WV	K2EE1
C210			CK73GB1H103K	CHIP C 0.010UF K	
C211			CE04NW1A470M	ELECTRO 47UF 10WV	
C212,213			CK73GB1C104K	CHIP C 0.10UF K	
C214,215			CK73GB1H103K	CHIP C 0.010UF K	
C216,217			CE04NW1H010M	ELECTRO 1.0UF 50WV	
C218-221			CE04NW1H0R1M	ELECTRO 0.1UF 50WV	
C222-225			CK73GB1C104K	CHIP C 0.10UF K	K1
C226,227			CK73FB1A105K	CHIP C 1.0UF K	K1
C251-254			C90-5296-05	NP-ELECT 0.22UF 50WV	
C255			CE04NW1HR47M	ELECTRO 0.47UF 50WV	
C256			CE04NW1C220M	ELECTRO 22UF 16WV	
C257			CK73GB1C104K	CHIP C 0.10UF K	
C258			CE04NW1H010M	ELECTRO 1.0UF 50WV	
C301,302			CE04NW1HR47M	ELECTRO 0.47UF 50WV	
C303			CE04NW1A470M	ELECTRO 47UF 10WV	
C304			CK73GB1H103K	CHIP C 0.010UF K	

# PARTS LIST

\* New Parts

Parts without **Parts No.** are not supplied.

Les articles non mentionnes dans le **Parts No.** ne sont pas fournis.

Teile ohne **Parts No.** werden nicht geliefert.

## ELECTRIC UNIT (X25-9570-1x/9572-71/9712-70)

Ref. No.	A d d	N e w	Parts No.	Description	Dest inati on
C351-354 C356,357 C358,359 C360 C401-404			CE04NW1C100M CK73GB1H103K CE04NW1C100M CK73GB1H103K CK73GB1C104K	ELECTRO 10UF 16WV CHIP C 0.010UF K ELECTRO 10UF 16WV CHIP C 0.010U K CHIP C 0.10UF K	K1 K1
C405 C406 C407 C408 C409			CK73GB0J105K CK73GB1C104K CC73GCH1H220J CC73GCH1H270J CE04CW0J470M	CHIP C 1.0UF K CHIP C 0.10UF K CHIP C 22PF J CHIP C 27PF J ELECTRO 47UF 6.3WV	
C500 C501,502 C503			CK73FB1A225K CK73GB1H103K CK73GB1H472K	CHIP C 2.2UF K CHIP C 0.010UF K CHIP C 4700PF K	
CN1 CN2 CN3 CN3 CN4			E41-0167-05 E41-0168-05 E40-3238-05 E40-3238-05 E40-3241-05	PIN ASSY (18PIN) FLAT CABLE CONNECTOR (24PIN) PIN ASSY (3PIN) PIN ASSY (3PIN) PIN ASSY (6PIN)	E2E3 K2E1 K1
CN5 CN5 CN6 CN6			E40-3260-05 E40-3260-05 E40-3261-05 E40-3261-05	PIN ASSY (2PIN) PIN ASSY (2PIN) PIN ASSY (3PIN) PIN ASSY (3PIN)	EE1E2 E3 EE1E2 E3
△ J1			E58-0863-15	RECTANGULAR RECEPTACLE	
J2 J3 J4 P1 W1 -19			E56-0834-05 E63-0887-05 E04-0312-05 E23-0745-05 E31-0001-00	CYLINDRICAL RECEPTACLE PIN JACK RF COAXIAL CABLE RECEPTACLE TERMINAL JUMPER WIRE	EE1E2
W1 -19 W1 -9 W11 -35 W21 -35 W21 -35			E31-0001-00 E31-0001-00 E31-0001-00 E31-0001-00 E31-0001-00	JUMPER WIRE JUMPER WIRE JUMPER WIRE JUMPER WIRE JUMPER WIRE	E3 K1K2 K1K2 EE1E2 E3
L1 L3 L6 -11 L6 -11 L6 -8			L33-1170-05 L33-1123-05 L40-4795-91 L40-4795-91 L40-4795-91	CHOKE COIL ASSY LINE FILTER COIL SMALL FIXED INDUCTOR(4.7UH,J) SMALL FIXED INDUCTOR(4.7UH,J) SMALL FIXED INDUCTOR(4.7UH,J)	EE1E2 E3 K1K2
L10 ,11 L12 X1 X2 X3			L40-4795-91 L33-1925-05 L78-0821-05 L77-2738-05 L77-2002-05	SMALL FIXED INDUCTOR(4.7UH,J) CHOKE COIL RESONATOR (20MHz) CRYSTAL RESONATOR (32.768KHz) CRYSTAL RESONATOR (4.332MHz)	K1K2 EE1E2
X3			L77-2002-05	CRYSTAL RESONATOR (4.332MHz)	E3
D E F G K	2D 2D 2D 2D 2D		N80-3008-46 N80-3010-46 N83-3005-46 N83-3020-46 N86-2606-46	PAN HEAD TAPTITE SCREW PAN HEAD TAPTITE SCREW PAN HEAD TAPTITE SCREW PAN HEAD TAPTITE SCREW BINDING HEAD TAPTITE SCREW	
R1 R2 R3 R4 R5 ,6			RK73GB2A823J RK73GB2A363J RK73GB2A104J RK73FB2B203J RK73GB2A103J	CHIP R 82K J 1/10W CHIP R 36K J 1/10W CHIP R 100K J 1/10W CHIP R 20K J 1/8W CHIP R 10K J 1/10W	

Ref. No.	A d d	N e w	Parts No.	Description	Dest inati on
R7 R8 R9 R10 R11			RK73GB2A223J RD14DB2H332J RD14BB2C333J RK73GB2A223J RK73GB2A104J	CHIP R 22K J 1/10W SMALL-RD 3.3K J 1/2W RD 33K J 1/6W CHIP R 22K J 1/10W CHIP R 100K J 1/10W	
R12 R13 R21 R22 ,23 R24 -28			RK73GB2A473J RK73GB2A562J RK73FB2B152J RD14BB2C472J RK73GB2A103J	CHIP R 47K J 1/10W CHIP R 5.6K J 1/10W CHIP R 1.5K J 1/8W RD 4.7K J 1/6W CHIP R 10K J 1/10W	
R31 R31 R32 R32 R32			RK73EB2E103J RK73EB2E103J RK73GB2A104J RK73GB2A223J RK73GB2A223J	CHIP R 10K J 1/4W CHIP R 10K J 1/4W CHIP R 100K J 1/10W CHIP R 22K J 1/10W CHIP R 22K J 1/10W	EE1E2 E3 K1K2 EE1E2 E3
R33 R33 R34 R35 R36			RK73GB2A473J RK73GB2A473J RK73EB2E103J RK73GB2A104J RK73GB2A222J	CHIP R 47K J 1/10W CHIP R 47K J 1/10W CHIP R 10K J 1/4W CHIP R 100K J 1/10W CHIP R 2.2K J 1/10W	EE1E2 E3
R37 R38 R41 -44 R51 ,52 R53 -56			RK73EB2E102J RK73GB2A561J RK73GB2A473J RK73GB2A222J RK73GB2A102J	CHIP R 1.0K J 1/4W CHIP R 560 J 1/10W CHIP R 47K J 1/10W CHIP R 2.2K J 1/10W CHIP R 1.0K J 1/10W	K1 K1
R57 ,58 R59 R60 R61 ,62 R63			RK73GB2A222J RK73GB2A101J RK73GB2A222J RK73GB2A104J RK73GB2A222J	CHIP R 2.2K J 1/10W CHIP R 100 J 1/10W CHIP R 2.2K J 1/10W CHIP R 100K J 1/10W CHIP R 2.2K J 1/10W	
R64 ,65 R67 ,68 R101 R102 R103			RK73GB2A104J RK73GB2A471J RK73GB2A102J RK73GB2A471J RK73GB2A472J	CHIP R 100K J 1/10W CHIP R 470 J 1/10W CHIP R 1.0K J 1/10W CHIP R 470 J 1/10W CHIP R 4.7K J 1/10W	
R104 R105 R106 R111 R111			RK73GB2A471J RK73GB2A472J RK73GB2A222J RK73GB2A472J RK73GB2A472J	CHIP R 470 J 1/10W CHIP R 4.7K J 1/10W CHIP R 2.2K J 1/10W CHIP R 4.7K J 1/10W CHIP R 4.7K J 1/10W	EE1E2 E3 EE1E2 E3
R112-115 R112-115 R116 R116 R152			RK73GB2A222J RK73GB2A222J RK73GB2A104J RK73GB2A104J RK73GB2A102J	CHIP R 2.2K J 1/10W CHIP R 2.2K J 1/10W CHIP R 100K J 1/10W CHIP R 100K J 1/10W CHIP R 1.0K J 1/10W	EE1E2 E3 EE1E2 E3
R153 R154 R155 R157,158 R159			RK73GB2A471J RK73GB2A102J RK73GB2A222J RK73GB2A471J RK73GB2A102J	CHIP R 470 J 1/10W CHIP R 1.0K J 1/10W CHIP R 2.2K J 1/10W CHIP R 470 J 1/10W CHIP R 1.0K J 1/10W	
R160 R161 R162,163 R164,165 R166			RK73GB2A222J RK73GB2A225J RK73GB2A104J RK73GB2A473J RK73GB2A472J	CHIP R 2.2K J 1/10W CHIP R 2.2M J 1/10W CHIP R 100K J 1/10W CHIP R 47K J 1/10W CHIP R 4.7K J 1/10W	

K1: KDC-X569    K2: KDC-MP522    E: KDC-M6024GY  
E1: KDC-M6024Y    E2: KDC-M6024G    E3: KDC-M6024

△ indicates safety critical components.

# PARTS LIST

\* New Parts

Parts without **Parts No.** are not supplied.

Les articles non mentionnes dans le **Parts No.** ne sont pas fournis.

Teile ohne **Parts No.** werden nicht geliefert.

## ELECTRIC UNIT (X25-9570-1x/9572-71/9712-70)

Ref. No.	A d d	N e w	Parts No.	Description	Dest inati on
R167			RK73GB2A474J	CHIP R 470K J 1/10W	
R168,169			RK73GB2A102J	CHIP R 1.0K J 1/10W	
R185,186			RK73GB2A474J	CHIP R 470K J 1/10W	
R187			RK73GB2A222J	CHIP R 2.2K J 1/10W	
R188			RK73GB2A473J	CHIP R 47K J 1/10W	
R201			RK73GB2A103J	CHIP R 10K J 1/10W	
R202-204			RK73GB2A472J	CHIP R 4.7K J 1/10W	
R205			RK73GB2A222J	CHIP R 2.2K J 1/10W	
R206-208			RK73GB2A102J	CHIP R 1.0K J 1/10W	
R209,210			RK73GB2A103J	CHIP R 10K J 1/10W	
R211-216			RK73GB2A333J	CHIP R 33K J 1/10W	K1
R211,212			RK73GB2A333J	CHIP R 33K J 1/10W	E2E3
R211,212			RK73GB2A333J	CHIP R 33K J 1/10W	K2EE1
R251			RK73GB2A103J	CHIP R 10K J 1/10W	
R252,253			RK73GB2A473J	CHIP R 47K J 1/10W	
R254			RK73GB2A152J	CHIP R 1.5K J 1/10W	
R255			RK73GB2A101J	CHIP R 100 J 1/10W	
R256			RK73GB2A103J	CHIP R 10K J 1/10W	
R257			RK73GB2A153J	CHIP R 15K J 1/10W	
R259-262			RK73GB2A223J	CHIP R 22K J 1/10W	
R301,302			RK73EB2E100J	CHIP R 10 J 1/4W	
R303			RK73EB2E101J	CHIP R 100 J 1/4W	
R304,305			RK73EB2E472J	CHIP R 4.7K J 1/4W	
R306			RK73EB2E4R7J	CHIP R 4.7 J 1/4W	
R307-309			RK73EB2E472J	CHIP R 4.7K J 1/4W	
R310,311			RK73EB2E101J	CHIP R 100 J 1/4W	
R312-315			RK73GB2A104J	CHIP R 100K J 1/10W	
R351,352			RK73GB2A361J	CHIP R 360 J 1/10W	
R355,356			RK73GB2A223J	CHIP R 22K J 1/10W	
R357,358			RK73EB2E181J	CHIP R 180 J 1/4W	
R359,360			RK73GB2A361J	CHIP R 360 J 1/10W	
R361,362			RK73GB2A223J	CHIP R 22K J 1/10W	
R363,364			RK73EB2E181J	CHIP R 18 J 1/4W	
R366-368			RK73FB2B471J	CHIP R 470 J 1/8W	EE1E2
R366-368			RK73FB2B471J	CHIP R 470 J 1/8W	E3
R369			RK73EB2E471J	CHIP R 470 J 1/4W	EE1E2
R369			RK73EB2E471J	CHIP R 470 J 1/4W	E3
R370-372			RK73GB2A101J	CHIP R 100 J 1/10W	EE1E2
R370-372			RK73GB2A101J	CHIP R 100 J 1/10W	E3
R374,375			RK73GB2A361J	CHIP R 360 J 1/10W	K1
R376,377			RK73GB2A223J	CHIP R 22K J 1/10W	K1
R378,379			RK73FB2B181J	CHIP R 180 J 1/8W	K1
R401-408			RK73GB2A104J	CHIP R 100K J 1/10W	
R409			RK73GB2A153J	CHIP R 15K J 1/10W	
R410			RK73GB2A104J	CHIP R 100K J 1/10W	E2E3
R410			RK73GB2A104J	CHIP R 100K J 1/10W	K1EE1
R410,411			RK73GB2A104J	CHIP R 100K J 1/10W	K2
R412			RK73GB2A104J	CHIP R 100K J 1/10W	E2E3
R412			RK73GB2A104J	CHIP R 100K J 1/10W	K1EE1
R415			RK73GB2A104J	CHIP R 100K J 1/10W	
R417			RK73GB2A104J	CHIP R 100K J 1/10W	
R419			RK73GB2A104J	CHIP R 100K J 1/10W	K1K2
R419,420			RK73GB2A104J	CHIP R 100K J 1/10W	EE1E2
R419,420			RK73GB2A104J	CHIP R 100K J 1/10W	E3
R421			RK73GB2A104J	CHIP R 100K J 1/10W	K1K2

Ref. No.	A d d	N e w	Parts No.	Description	Dest inati on
R422			RK73GB2A103J	CHIP R 10K J 1/10W	
W101,102			R92-2052-05	CHIP R 0 OHM J 1/10W	K1
W103,104			R92-1252-05	CHIP R 0 OHM J 1/16W	K1
S1			S74-0821-05	MICRO SWITCH	
D1			1N5393G-M6	DIODE	
D2 -4			MA4068(N)-M	ZENER DIODE	
D21			MA4082(N)-L	ZENER DIODE	
D22 -25			AM01Z	DIODE	
D26			DAN202U	DIODE	
D26			MA142WK	DIODE	E1
D26			MA142WK	DIODE	K1K2E
D31			HZS5B1	ZENER DIODE	EE1E2
D31			HZS5B1	ZENER DIODE	E3
D32			MA4056-M	ZENER DIODE	K1
D41			SFPB-54V	DIODE	
D151-155			DA204K	DIODE	
D151-155			KDS226	DIODE	E1
D151-155			KDS226	DIODE	K1K2E
D157-162			DA204K	DIODE	
D157-162			KDS226	DIODE	E1
D157-162			KDS226	DIODE	K1K2E
D163			MA4062-L	ZENER DIODE	
D164			MA4120-L	ZENER DIODE	
D165			MA4062-L	ZENER DIODE	
D166			DA204U	DIODE	
D201,202			RD6.8M(B2)	ZENER DIODE	
D203-205			DAP202U	DIODE	
D203-205			MA142WA	DIODE	E1
D203-205			MA142WA	DIODE	K1K2E
D251-258			AM01Z	DIODE	
D269-271			1SS133	DIODE	
D301			MA4062-L	ZENER DIODE	
D303,304			MA4062-L	ZENER DIODE	
D307,308			MA4062-L	ZENER DIODE	
D309-311			MA4068(N)-M	ZENER DIODE	
D351			MA3062WA	ZENER DIODE	EE1E2
D351			MA3062WA	ZENER DIODE	E3
D352			DA204U	DIODE	EE1E2
D352			DA204U	DIODE	E3
D401			1SS133	DIODE	
IC1		*	UPD703030GC012	MI-COM IC	
IC2		*	TDA7411	ANALOGUE IC	
IC3			BA4911-V4	ANALOGUE IC	
IC4			TA8273H	ANALOGUE IC	
IC6			HD74HC27FP	MOS-IC	
IC7			SAA6581T	ANALOGUE IC	EE1E2
IC7			SAA6581T	ANALOGUE IC	E3
IC8		*	PST3436UL	MOS-IC	
IC9			SI-8050JD	ANALOGUE IC	
Q1 -3			2SC4081	TRANSISTOR	
Q4			2SA1036K	TRANSISTOR	
Q21			2SD2375	TRANSISTOR	
Q22			UMC2N	TRANSISTOR	EE1E2
Q22			UMC2N	TRANSISTOR	E3

K1: KDC-X569 K2: KDC-MP522 E: KDC-M6024GY  
E1: KDC-M6024Y E2: KDC-M6024G E3: KDC-M6024

# PARTS LIST

\* New Parts

Parts without **Parts No.** are not supplied.

Les articles non mentionnes dans le **Parts No.** ne sont pas fournis.

Teile ohne **Parts No.** werden nicht geliefert.

## ELECTRIC UNIT (X25-9570-1x/9572-71/9712-70)

Ref. No.	A d d	N e w	Parts No.	Description	Dest inati on
Q22 ,23			UMC2N	TRANSISTOR	K1K2
Q31			DTC144EUA	DIGITAL TRANSISTOR	E1
Q31			KRC404	DIGITAL TRANSISTOR	K1K2E
Q31			KRC404	DIGITAL TRANSISTOR	E1
Q31			UN5213	DIGITAL TRANSISTOR	K1K2E
Q31			UN5213	DIGITAL TRANSISTOR	K1K2E
Q32			DTA123JK	DIGITAL TRANSISTOR	K1
Q41			2SC4081	TRANSISTOR	
Q101			DTC143TUA	DIGITAL TRANSISTOR	EE1E2
Q101			DTC143TUA	DIGITAL TRANSISTOR	E3
Q101			KRC410	DIGITAL TRANSISTOR	EE1
Q101			UN5216	DIGITAL TRANSISTOR	EE1
Q151			DTA114YUA	DIGITAL TRANSISTOR	
Q151			KRA307	DIGITAL TRANSISTOR	E1
Q151			KRA307	DIGITAL TRANSISTOR	K1K2E
Q151			UN5114	DIGITAL TRANSISTOR	E1
Q151			UN5114	DIGITAL TRANSISTOR	K1K2E
Q152			2SA1576A	TRANSISTOR	
Q153			DTC144EUA	DIGITAL TRANSISTOR	E1
Q153			KRC404	DIGITAL TRANSISTOR	E1
Q153			KRC404	DIGITAL TRANSISTOR	K1K2E
Q153			UN5213	DIGITAL TRANSISTOR	E1
Q153			UN5213	DIGITAL TRANSISTOR	K1K2E
Q154			2SA1577	TRANSISTOR	
Q201			DTC143TUA	DIGITAL TRANSISTOR	E1
Q201			KRC410	DIGITAL TRANSISTOR	K1K2E
Q201			KRC410	DIGITAL TRANSISTOR	E1
Q201			UN5216	DIGITAL TRANSISTOR	K1K2E
Q201			UN5216	DIGITAL TRANSISTOR	K1K2E
Q350			DTA124EUA	DIGITAL TRANSISTOR	E1
Q350			KRA303	DIGITAL TRANSISTOR	K1K2E
Q350			KRA303	DIGITAL TRANSISTOR	E1
Q350			UN5112	DIGITAL TRANSISTOR	E1
Q350			UN5112	DIGITAL TRANSISTOR	K1K2E
Q351,352			DTC143TUA	DIGITAL TRANSISTOR	K1K2E
Q351,352			KRC410	DIGITAL TRANSISTOR	E1
Q351,352			KRC410	DIGITAL TRANSISTOR	K1K2E
Q351,352			UN5216	DIGITAL TRANSISTOR	E1
Q351,352			UN5216	DIGITAL TRANSISTOR	K1K2E
Q354			DTA124EUA	DIGITAL TRANSISTOR	E1
Q354			KRA303	DIGITAL TRANSISTOR	K1K2E
Q354			KRA303	DIGITAL TRANSISTOR	E1
Q354			UN5112	DIGITAL TRANSISTOR	E1
Q354			UN5112	DIGITAL TRANSISTOR	K1K2E
Q355-358			DTC143TUA	DIGITAL TRANSISTOR	K1
Q355-358			KRC410	DIGITAL TRANSISTOR	K1
Q355-358			UN5216	DIGITAL TRANSISTOR	K1
Q355,356			DTC143TUA	DIGITAL TRANSISTOR	E2E3
Q355,356			DTC143TUA	DIGITAL TRANSISTOR	K2EE1
Q355,356			KRC410	DIGITAL TRANSISTOR	K2EE1
Q355,356			UN5216	DIGITAL TRANSISTOR	K2EE1
TH1			PTH9C42BE471Q	POSITIVE RESISTOR	K2EE1
A1		*	X86-3720-11	FRONT-END UNIT	K1K2
A1		*	X86-3722-70	FRONT-END UNIT	EE1

Ref. No.	A d d	N e w	Parts No.	Description	Dest inati on
A1		*	X86-3722-71	FRONT-END UNIT	E2E3
<b>CD PLAYER UNIT (X32-5410-00)</b>					
C1			C92-0628-05	CHIP-TAN 10UF 10WV	
C2			CK73FB1A105K	CHIP C 1.0UF K	
C3			CK73FB1A225K	CHIP C 2.2UF K	
C4			CK73GB1H103K	CHIP C 0.010UF K	
C5			CC73GCH1H680J	CHIP C 68PF J	
C6			CC73GCH1H681J	CHIP C 680PF J	
C7			CK73GB1H104K	CHIP C 0.10UF K	
C8			CK73GB1H222K	CHIP C 2200PF K	
C9 ,10			CK73GB1H104K	CHIP C 0.10UF K	
C11			CC73GCH1H681J	CHIP C 680PF J	
C12			CK73GB1H222K	CHIP C 2200PF K	
C13			CC73GCH1H680J	CHIP C 68PF J	
C15			CK73EB1A475K	CHIP C 4.7UF K	
C16			CK73GB1H104K	CHIP C 0.10UF K	
C17			CK73GB1H331K	CHIP C 330PF K	
C18			CK73GB1H472K	CHIP C 4700PF K	
C19 ,20			CK73GB1H104K	CHIP C 0.10UF K	
C21			CK73EB1A475K	CHIP C 4.7UF K	
C22			CK73GB0J105K	CHIP C 1.0UF K	
C23			CK73FB1A225K	CHIP C 2.2UF K	
C26			CK73GB1H104K	CHIP C 0.10UF K	
C27			C92-0712-05	CHIP-TAN 22UF 6.3WV	
C28			CK73GB1H102K	CHIP C 1000PF K	
C29			CK73GB1H331K	CHIP C 330PF K	
C30			CK73GB1H152K	CHIP C 1500PF K	
C31 -35			CK73GB1H104K	CHIP C 0.10UF K	
C36			C92-0712-05	CHIP-TAN 22UF 6.3WV	
C41			CK73GB1H104K	CHIP C 0.10UF K	
C42			CK73EB1A475K	CHIP C 4.7UF K	
C45			CK73GB1H102K	CHIP C 1000PF K	
C47			C92-0628-05	CHIP-TAN 10UF 10WV	
C48			CK73GB1H104K	CHIP C 0.10UF K	
C50			CK73GB1H104K	CHIP C 0.10UF K	
C52			CK73GB1H152K	CHIP C 1500PF K	
C53			CK73GB1H104K	CHIP C 0.10UF K	
C55			CC73GCH1H470J	CHIP C 47PF J	
C56			CC73GCH1H680J	CHIP C 68PF J	
C57			CK73GB1H104K	CHIP C 0.10UF K	
C59			CK73GB1H104K	CHIP C 0.10UF K	
C61			CK73GB1H104K	CHIP C 0.10UF K	
C63			CC73GCH1H020C	CHIP C 2.0PF C	
C65			CK73GB1H104K	CHIP C 0.10UF K	
C67			CK73GB1H222K	CHIP C 2200PF K	
C68			CC73GCH1H060D	CHIP C 6.0PF D	
C70			CK73GB1H104K	CHIP C 0.10UF K	
C74			CK73GB1H682K	CHIP C 6800PF K	
C75			CK73GB1H332K	CHIP C 3300PF K	
C76			CK73GB1H103K	CHIP C 0.010UF K	
C77			CK73GB1H104K	CHIP C 0.10UF K	
C78			CK73EB1A475K	CHIP C 4.7UF K	
C79 -82			CK73GB1H152K	CHIP C 1500PF K	
C83			CK73GB1H104K	CHIP C 0.10UF K	

K1: KDC-X569    K2: KDC-MP522    E: KDC-M6024GY  
E1: KDC-M6024Y    E2: KDC-M6024G    E3: KDC-M6024

△ indicates safety critical components.

# PARTS LIST

\* New Parts

Parts without **Parts No.** are not supplied.

Les articles non mentionnes dans le **Parts No.** ne sont pas fournis.

Teile ohne **Parts No.** werden nicht geliefert.

## CD PLAYER UNIT (X32-5410-00)

Ref. No.	A d d	N e w	Parts No.	Description	Dest inati on
C84			C92-0628-05	CHIP-TAN 10UF 10WV	
C85			CK73GB1H104K	CHIP C 0.10UF K	
C87			CK73EB1A475K	CHIP C 4.7UF K	
C88			CK73GB1H104K	CHIP C 0.10UF K	
CN1			E40-9527-05	FLAT CABLE CONNECTOR (16PIN)	
CN1			E41-0213-05	FLAT CABLE CONNECTOR (16PIN)	
CN2			E40-9536-05	FLAT CABLE CONNECTOR (24PIN)	
CN2			E41-0193-05	FLAT CABLE CONNECTOR (24PIN)	
L1			L92-0329-05	CHIP FERRITE	
L5			L92-0329-05	CHIP FERRITE	
X1			L78-0851-05	RESONATOR (16.934MHZ)	
X2			L78-0862-05	RESONATOR (16.00MHZ)	
CP1 ,2			R90-1019-05	MULTI-COMP 100 X2	
CP4			R90-0719-05	MULTI-COMP 4.7K X2	
CP5			R90-0737-05	MULTI-COMP 100K X2	
CP6			R90-1019-05	MULTI-COMP 100 X2	
CP7			R90-0737-05	MULTI-COMP 100K X2	
CP13			R90-0720-05	MULTI-COMP 100K X4	
CP15			R90-0718-05	MULTI-COMP 4.7K X4	
CP16-22			R90-1014-05	MULTI-COMP 100 X4	
CP23			R90-0714-05	MULTI-COMP 10K X4	
CP24			R90-0720-05	MULTI-COMP 100K X4	
R1			R92-3044-05	CHIP R 18K D 1/10W	
R2			R92-3041-05	CHIP R 11K D 1/10W	
R3			RK73FB2B303J	CHIP R 30K J 1/8W	
R4			RK73GB2A222J	CHIP R 2.2K J 1/10W	
R5			RK73FB2B272J	CHIP R 2.7K J 1/8W	
R6			RK73FB2B331J	CHIP R 330 J 1/8W	
R7 ,8			RK73FB2B752J	CHIP R 7.5K J 1/8W	
R9			RK73FB2B272J	CHIP R 2.7K J 1/8W	
R10			RK73FB2B331J	CHIP R 330 J 1/8W	
R11			R92-3041-05	CHIP R 11K D 1/10W	
R12			RK73FB2B303J	CHIP R 30K J 1/8W	
R13			R92-3044-05	CHIP R 18K D 1/10W	
R14			RK73GB2A472J	CHIP R 4.7K J 1/10W	
R16			RK73GB2A123J	CHIP R 12K J 1/10W	
R17			RK73GB2A133J	CHIP R 13K J 1/10W	
R18			RK73GB2A472J	CHIP R 4.7K J 1/10W	
R19 ,20			RK73GB2A123J	CHIP R 12K J 1/10W	
R21			RK73GB2A432J	CHIP R 4.3K J 1/10W	
R22			RK73GB2A133J	CHIP R 13K J 1/10W	
R23 ,24			RK73GB2A104J	CHIP R 100K J 1/10W	
R25			RK73GB2A102J	CHIP R 1.0K J 1/10W	
R26			RK73GB2A104J	CHIP R 100K J 1/10W	
R27			RK73GB2A102J	CHIP R 1.0K J 1/10W	
R28			RK73GB2A103J	CHIP R 10K J 1/10W	
R29			RK73GB2A133J	CHIP R 13K J 1/10W	
R30			RK73GB2A102J	CHIP R 1.0K J 1/10W	
R31			RK73GB2A472J	CHIP R 4.7K J 1/10W	
R32			RK73GB2A103J	CHIP R 10K J 1/10W	
R33			RK73GB2A104J	CHIP R 100K J 1/10W	
R34			RK73GB2A183J	CHIP R 18K J 1/10W	
R35			RK73GB2A102J	CHIP R 1.0K J 1/10W	
R36			RK73GB2A163J	CHIP R 16K J 1/10W	

Ref. No.	A d d	N e w	Parts No.	Description	Dest inati on
R38			RK73GB2A104J	CHIP R 100K J 1/10W	
R39 -41			RK73GB2A103J	CHIP R 10K J 1/10W	
R42 ,43			RK73GB2A104J	CHIP R 100K J 1/10W	
R46			RK73GB2A4R7J	CHIP R 4.7 J 1/10W	
R47			RK73GB2A104J	CHIP R 100K J 1/10W	
R49			RK73GB2A104J	CHIP R 100K J 1/10W	
R50			RK73GB2A102J	CHIP R 1.0K J 1/10W	
R51			RK73GB2A103J	CHIP R 10K J 1/10W	
R52			RK73GB2A104J	CHIP R 100K J 1/10W	
R53			RK73GB2A473J	CHIP R 47K J 1/10W	
R55			RK73GB2A103J	CHIP R 10K J 1/10W	
R57			RK73GB2A472J	CHIP R 4.7K J 1/10W	
R59			RK73GB2A274J	CHIP R 270K J 1/10W	
R62 ,63			RK73GB2A302J	CHIP R 3.0K J 1/10W	
R67			RK73GB2A682J	CHIP R 6.8K J 1/10W	
R69			RK73GB2A333J	CHIP R 33K J 1/10W	
R70			RK73GB2A103J	CHIP R 10K J 1/10W	
R71 ,72			RK73GB2A101J	CHIP R 100 J 1/10W	
R73			RK73GB2A241J	CHIP R 240 J 1/10W	
R75			RK73GB2A103J	CHIP R 10K J 1/10W	
R76			RK73GB2A101J	CHIP R 100 J 1/10W	
R77			RK73GB2A102J	CHIP R 1.0K J 1/10W	
R78			RK73GB2A104J	CHIP R 100K J 1/10W	
W1			R92-1252-05	CHIP R 0 OHM J 1/16W	
S1 ,2			S68-0863-05	PUSH SWITCH	
S3			S68-0862-05	PUSH SWITCH	
D1			DAP202U	DIODE	
IC1			TAR5S33	ANALOGUE IC	
IC2			NJM4580V	ANALOGUE IC	
IC4			BA5824FP	ANALOGUE IC	
IC6			L88MS33T	ANALOGUE IC	
IC7			703033BYGC-J02	MI-COM IC	
IC8			TC74HCT7007AF	MOS-IC	
IC11			UPD63760GJ	MOS-IC	
IC13			IS41LV16257	MEMORY IC	
IC13			MSM51V4265EP70	MOS-IC	
Q1			DTA143XUA	DIGITAL TRANSISTOR	
Q2 ,3			DTC124EUA	DIGITAL TRANSISTOR	
Q4			MCH6101	TRANSISTOR	
Q5			DTA143EUA	DIGITAL TRANSISTOR	
<b>DAUGHTER UNIT (X89-2570-10/2602-70)</b>					
D1			B30-1566-05	LED(1608,RED)	
C1			CK73GB1H103K	CHIP C 0.010UF K	
CN1			E41-0169-05	SOCKET FOR PIN ASSY (18PIN)	
J1			E58-0865-05	RECTANGULAR RECEPTACLE (16PIN)	
R1			RK73EB2E102J	CHIP R 1.0K J 1/4W	
R2 -5			RK73EB2E471J	CHIP R 470 J 1/4W	
R6 ,7			RK73EB2E102J	CHIP R 1.0K J 1/4W	
R8			RK73EB2E241J	CHIP R 240 J 1/4W	
R9 ,10			RK73EB2E471J	CHIP R 470 J 1/4W	
R11 -13			RK73EB2E102J	CHIP R 1.0K J 1/4W	

# PARTS LIST

\* New Parts

Parts without **Parts No.** are not supplied.

Les articles non mentionnes dans le **Parts No.** ne sont pas fournis.

Teile ohne **Parts No.** werden nicht geliefert.

## DAUGHTER UNIT (X89-2570-10/2602-70)

Ref. No.	A d d	N e w	Parts No.	Description	Dest inati on
S1			S70-0871-05	TACT SWITCH	
<b>MECHANISM ASSY (X92-4670-00/01)</b>					
2	1B		A10-4827-12	CHASSIS	
5	1B		D10-4576-33	ARM ASSY	
8	1A		D10-4579-03	LEVER ASSY	
10	3A		D10-4581-13	ARM	
11	2A		D10-4582-13	ARM	
12	3A		D10-4583-03	ARM	
13	3A		D10-4584-03	ARM	
14	2A		D10-4585-03	ARM	
15	2A		D10-4586-13	SLIDER	
16	3B		D10-4587-22	SLIDER	
17	3B		D10-4588-03	SLIDER	
18	3B		D10-4595-04	ARM	
19	3B		D10-4596-14	ARM	
22	2A		D13-2151-04	GEAR	
23	2B		D13-2152-04	GEAR	
24	3B		D13-2153-04	GEAR	
25	3B		D13-2154-04	GEAR	
26	3B		D13-2155-04	WORM	
27	3B		D13-2156-14	GEAR	
28	3B		D13-2157-04	GEAR	
29	3B		D13-2158-04	GEAR	
30	3B		D13-2168-04	GEAR	
31	3B		D13-2171-04	GEAR	
32	2B		D13-2172-03	RACK (GEAR)	
33	2A		D14-0759-04	ROLLER	
35	2B		D21-2382-04	SHAFT	
36	1A		D23-0954-04	RETAINER	
37	1B		D39-0246-05	DAMPER	
38	2B		G01-3072-04	EXTENSION SPRING	
39	2A		G01-3073-04	TORSION COIL SPRING	
40	2A		G01-3074-04	EXTENSION SPRING	
41	2B		G01-3075-04	EXTENSION SPRING	
42	2A		G01-3076-04	EXTENSION SPRING	
43	1B		G01-3077-04	EXTENSION SPRING	
44	1B		G02-1399-04	FLAT SPRING	
45	2B		G02-1408-04	FLAT SPRING	
51	1A		J21-9676-22	MOUNTING HARDWARE	
52	3B		J21-9677-02	MOUNTING HARDWARE	
53	1B		J21-9678-03	MOUNTING HARDWARE	
55	1A		J90-1001-11	GUIDE	
56	1B		J90-1023-03	GUIDE	
DFPC1	2B		J84-0141-05	FLEXIBLE PRINTED WIRING BOARD	
A	2B		N09-4460-05	TAPTITE SCREW (OVAL P TAPTIT)	
B	1B		N09-4472-05	MACHINE SCREW (M1.7X8.5)	
C	2B		N09-6004-05	MACHINE SCREW (M1.7X2.5 1B-L)	
D	1B		N09-6108-05	MACHINE SCREW (M2*3.5TYPE3)	
E	2B		N09-6007-05	MACHINE SCREW (PAN M2X2)	
F	1A		N09-6051-05	TAPTITE SCREW (BIND P 2X5)	
G	2A		N19-2163-04	FLAT WASHER	
H	1B		N39-2020-46	PAN HEAD MACHIN SCREW	

Ref. No.	A d d	N e w	Parts No.	Description	Dest inati on
DM1	3B		T42-1066-04	DC MOTOR ASSY (SPINDOL)	
DM2	2B		T42-1067-04	DC MOTOR ASSY (LOADING)	
-	3A		X32-5410-00	CD PLAYER UNIT	
DPU1	2B		X93-2010-00	OPTICAL PICKUP ASSY	

K1: KDC-X569  
E1: KDC-M6024Y

K2: KDC-MP522  
E2: KDC-M6024G

E: KDC-M6024GY  
E3: KDC-M6024

△ indicates safety critical components.