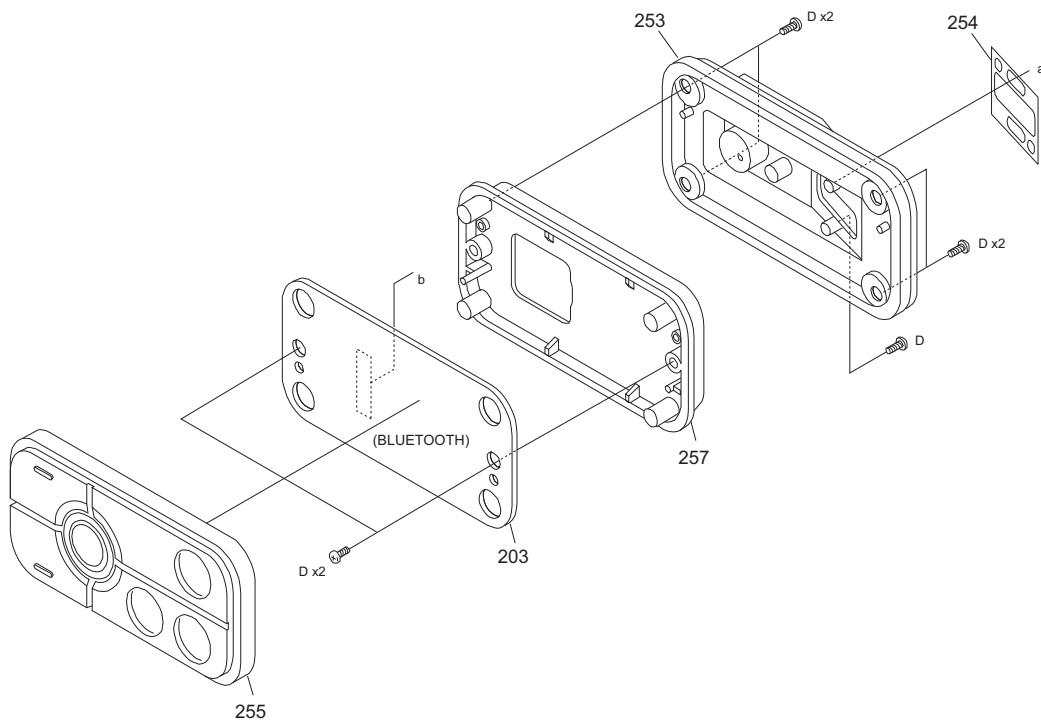
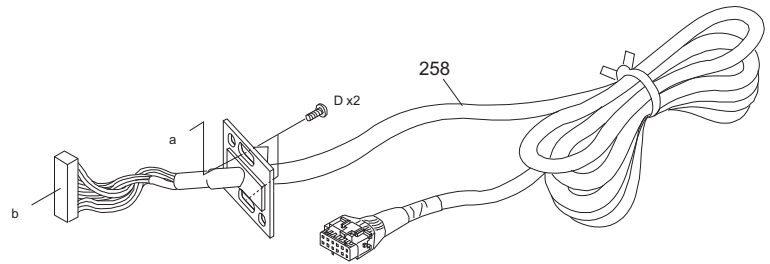
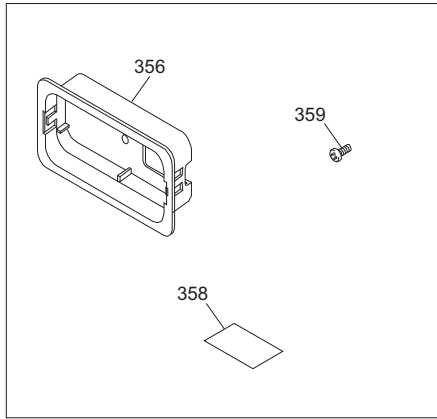


MODEL	MARK
KAC-M1824BT	

Safe	Symbol No.	Parts No.	Parts Name	Description	QTY	Local
EXPLODED VIEW (UNIT) <M1MM>						
	DC1	E30-8358-05	DC CORD		1	
△	F1	F52-0024-05	FUSE		1	
	FC1	E3F-0042-00	FLAT CABLE		1	
	A	N09-6959-05	TAPTITE SCREW		6	
	B	N89-3008-43	BI.HEAD T.SCREW		2	
	C	N09-6952-05	TAPTITE SCREW		5	
	D	N82-2608-43	BI.HEAD T.SCREW		2	
	212	A6D-0035-00	PANEL		1	
	213	A6D-0036-00	PANEL		1	
	215	F0C-0011-00	COOL SHEET		2	
	216	F0C-0020-00	COOL SHEET		1	
	219	F29-0626-04	INS.COVER		6	
	352	J6B-0006-00	WIRE BAND		2	
	354	N99-1840-05	SCREW SET		1	
	357	H2B-0016-00	PROTECT SHEET		1	
	501	B5A-0480-00	INST.MANUAL		1	
	502	XKP-0010-10	REMOTE CTRL UNIT		1	

EXPLODED VIEW (REMOTE CONTROL UNIT)

Block No.M2MM



Parts with the exploded numbers larger than 700 are not supplied.

No.WA117

created date:2015-03-13

MODEL	MARK
KAC-M1824BT	

Safe	Symbol No.	Parts No.	Parts Name	Description	QTY	Local
EXPLODED VIEW (REMOTE CONTROL UNIT) <M2MM>						
	D	N82-2608-43	BI.HEAD T.SCREW		9	
	203	XK9-0080-10	BLUETOOTH PWB ASSY		1	
	253	A4G-0013-00	REAR COVER		1	
	254	G1G-0013-00	SHEET		1	
	255	K2K-0126-00	KNOB		1	
	257	A2C-0012-00	SUB PANEL		1	
	258	E3A-0101-10	CORD W.CON.		1	
	356	B0H-0005-00	ESCUTCHEON		1	
	358	H3A-0005-00	DOUBLECOAT TAPE		1	
	359	N89-3008-43	BI.HEAD T.SCREW		1	

MODEL	MARK
KAC-M1824BT	

Safe	Symbol No.	Parts No.	Parts Name	Description	QTY	Local
DIGITAL AMP PWB ASSY (XK1-0190-10) <01>						
	IC4	IR4302MTRPBF	MOS IC		1	
	IC5	IR4302MTRPBF	MOS IC		1	
	IC6	BA4560RF	ANALOGUE IC		1	
	IC7	BA4560RF	ANALOGUE IC		1	
	IC8	BA10358F	ANALOGUE IC		1	
	IC9	TL494G-S16-R	ANALOG IC		1	
	IC10	BA4560RF	ANALOGUE IC		1	
	IC13	BD9673AEFJ	MOS IC		1	
	IC521	BA4560RF	ANALOGUE IC		1	
	IC522	BA4560RF	ANALOGUE IC		1	
	IC531	BA4560RF	ANALOGUE IC		1	
	IC541	BA4560RF	ANALOGUE IC		1	
	IC571	NJM4565E-ZB	ANALOGUE IC		1	
	IC621	BA4560RF	ANALOGUE IC		1	
	IC622	BA4560RF	ANALOGUE IC		1	
	IC631	BA4560RF	ANALOGUE IC		1	
	IC641	BA4560RF	ANALOGUE IC		1	
	IC671	NJM4565E-ZB	ANALOGUE IC		1	
	IC701	BA4560RF	ANALOGUE IC		1	
	IC702	BA4560RF	ANALOGUE IC		1	
	IC801	BA4560RF	ANALOGUE IC		1	
	IC831	BA4560RF	ANALOGUE IC		1	
	IC832	BA4560RF	ANALOGUE IC		1	
	Q3	2SC4154(F)	TRANSISTOR		1	
	Q103	2SC4154(F)	TRANSISTOR		1	
	Q203	2SC4154(F)	TRANSISTOR		1	
	Q204	2SC4154(F)	TRANSISTOR		1	
	Q205	STD60NF06	FET		1	
	Q207	STD60NF06	FET		1	
	Q208	2SA1577	TRANSISTOR		1	
	Q209	2SA1577	TRANSISTOR		1	
	Q210	LTC014EUBFS8	DIGI TRANSISTOR		1	
	Q211	LTC014EUBFS8	DIGI TRANSISTOR		1	
	Q212	LTA014EUBFS8	DIGI TRANSISTOR		1	
	Q213	2SAR293P	TRANSISTOR		1	
	Q214	2SC4154(F)	TRANSISTOR		1	
	Q215	2SC4154(F)	TRANSISTOR		1	
	Q216	2SCR533D	TRANSISTOR		1	
	Q217	2SAR533D	TRANSISTOR		1	
	Q218	2SCR533D	TRANSISTOR		1	
	Q219	2SC4154(F)	TRANSISTOR		1	
	Q220	2SC4154(F)	TRANSISTOR		1	
	Q221	ISA1602AM1(F)	TRANSISTOR		1	
	Q222	2SC4154(F)	TRANSISTOR		1	
	Q226	2SCR293P	TRANSISTOR		1	
	Q227	2SAR293P	TRANSISTOR		1	
	Q229	2SC4154(F)	TRANSISTOR		1	
	Q230	LTA014EUBFS8	DIGI TRANSISTOR		1	
	Q231	2SC2713-F	TRANSISTOR		1	
	Q232	2SC4154(F)	TRANSISTOR		1	
	Q561	2SC4154(F)	TRANSISTOR		1	
	Q562	2SC4154(F)	TRANSISTOR		1	
	Q565	2SC4213-F(B)	TRANSISTOR		1	
	Q566	2SC4213-F(B)	TRANSISTOR		1	
	Q661	2SC4154(F)	TRANSISTOR		1	
	Q662	2SC4154(F)	TRANSISTOR		1	
	Q665	2SC4213-F(B)	TRANSISTOR		1	
	Q666	2SC4213-F(B)	TRANSISTOR		1	
	Q751	2SC4154(F)	TRANSISTOR		1	
	Q753	LTA014EUBFS8	DIGI TRANSISTOR		1	
	Q851	LTA014EUBFS8	DIGI TRANSISTOR		1	
	Q852	2SC4154(F)	TRANSISTOR		1	
	D5	DA2J101	DIODE		1	
	D6	DA2J101	DIODE		1	
	D7	DA2J101	DIODE		1	
	D8	DA2J101	DIODE		1	
	D9	DA2J101	DIODE		1	
	D10	DA2J101	DIODE		1	
	D11	RF101L2S	DIODE		1	
	D12	RF101L2S	DIODE		1	
	D105	DA2J101	DIODE		1	
	D106	DA2J101	DIODE		1	
	D107	DA2J101	DIODE		1	
	D108	DA2J101	DIODE		1	
	D109	DA2J101	DIODE		1	
	D110	DA2J101	DIODE		1	
	D111	RF101L2S	DIODE		1	
	D112	RF101L2S	DIODE		1	
	D200	DA2J101	DIODE		1	
	D201	DZ2J150M	ZENER DIODE		1	
	D202	DZ2J120M	ZENER DIODE		1	
	D203	DA2J101	DIODE		1	
	D204	DA2J101	DIODE		1	
	D205	DA2J101	DIODE		1	
	D206	DA2J101	DIODE		1	
	D207	DZ2J033M	ZENER DIODE		1	
	D208	DZ2J150M	ZENER DIODE		1	
	D209	DZ2J120M	ZENER DIODE		1	
	D210	DZ2J120M	ZENER DIODE		1	
	D211	DZ2J120M	ZENER DIODE		1	
	D212	DZ2J056M	ZENER DIODE		1	

MODEL	MARK
KAC-M1824BT	

Safe	Symbol No.	Parts No.	Parts Name	Description	QTY	Local
	D213	DZ2J056M	ZENER DIODE		1	
	D216	DA2J101	DIODE		1	
	D217	DA2J101	DIODE		1	
	D219	DA2J101	DIODE		1	
	D224	RFN3BM2S	DIODE		1	
	D225	RFN3BM2S	DIODE		1	
	D226	RFN3BM2S	DIODE		1	
	D227	RFN3BM2S	DIODE		1	
	D229	DA2J101	DIODE		1	
	D232	DZ2J068M	ZENER DIODE		1	
	D233	DA2J101	DIODE		1	
	D234	RB055L-40	SCHOTTKY DIODE		1	
	D235	LM1MA142WA-G	DIODE		1	
	D501	LM1MA142WK-G	DIODE		1	
	D502	LM1MA142WK-G	DIODE		1	
	D503	LM1MA142WA-G	DIODE		1	
	D504	LM1MA142WA-G	DIODE		1	
	D601	LM1MA142WK-G	DIODE		1	
	D602	LM1MA142WK-G	DIODE		1	
	D603	LM1MA142WA-G	DIODE		1	
	D604	LM1MA142WA-G	DIODE		1	
	D701	LM1MA142WK-G	DIODE		1	
	D702	LM1MA142WA-G	DIODE		1	
	D751	LM1MA142WK-G	DIODE		1	
	D801	DZ2J033M	ZENER DIODE		1	
	D802	DZ2J033M	ZENER DIODE		1	
	D803	DZ2J033M	ZENER DIODE		1	
	D804	DZ2J033M	ZENER DIODE		1	
	C21	CC73GCH1H471J	C CAPACITOR	470pF 50V J	1	
	C22	CC73GCH1H471J	C CAPACITOR	470pF 50V J	1	
	C23	CC73GCH1H102J	C CAPACITOR	1000pF 50V J	1	
	C24	CC73GCH1H102J	C CAPACITOR	1000pF 50V J	1	
	C25	CC73GCH1H102J	C CAPACITOR	1000pF 50V J	1	
	C26	CC73GCH1H102J	C CAPACITOR	1000pF 50V J	1	
	C27	CC73GCH1H102J	C CAPACITOR	1000pF 50V J	1	
	C28	CC73GCH1H102J	C CAPACITOR	1000pF 50V J	1	
	C29	CK73FXR1C106K	C CAPACITOR	10uF 16V K	1	
	C30	CK73FXR1C106K	C CAPACITOR	10uF 16V K	1	
	C31	CK73GBB1H104K	C CAPACITOR	0.1uF 50V K	1	
	C32	CK73FXR1C106K	C CAPACITOR	10uF 16V K	1	
	C33	CK73GBB1H104K	C CAPACITOR	0.1uF 50V K	1	
	C34	CK73GBB1H104K	C CAPACITOR	0.1uF 50V K	1	
	C35	CK73FXR1C106K	C CAPACITOR	10uF 16V K	1	
	C36	CK73FXR1C106K	C CAPACITOR	10uF 16V K	1	
	C37	CC73GCH1H102J	C CAPACITOR	1000pF 50V J	1	
	C38	CC73GCH1H102J	C CAPACITOR	1000pF 50V J	1	
	C39	CC73GCH1H102J	C CAPACITOR	1000pF 50V J	1	
	C40	CC73GCH1H102J	C CAPACITOR	1000pF 50V J	1	
	C41	CC73GCH1H102J	C CAPACITOR	1000pF 50V J	1	
	C42	CC73GCH1H102J	C CAPACITOR	1000pF 50V J	1	
	C43	CC73GCH1H102J	C CAPACITOR	1000pF 50V J	1	
	C44	CC73GCH1H102J	C CAPACITOR	1000pF 50V J	1	
	C45	CK73FBB1H224K	C CAPACITOR	0.22uF 50V K	1	
	C46	CK73FBB1H224K	C CAPACITOR	0.22uF 50V K	1	
	C47	CK73FBB1H224K	C CAPACITOR	0.22uF 50V K	1	
	C48	CK73FBB1H224K	C CAPACITOR	0.22uF 50V K	1	
	C49	CC73GCH1H151J	C CAPACITOR	150pF 50V J	1	
	C50	CC73GCH1H151J	C CAPACITOR	150pF 50V J	1	
	C51	CE32CC1V220M	E CAPACITOR	22uF 35V M	1	
	C52	CE32CC1V220M	E CAPACITOR	22uF 35V M	1	
	C53	CK73GBB1H104K	C CAPACITOR	0.1uF 50V K	1	
	C54	CK73GBB1H104K	C CAPACITOR	0.1uF 50V K	1	
	C55	CK73GBB1H104K	C CAPACITOR	0.1uF 50V K	1	
	C56	CK73GBB1H104K	C CAPACITOR	0.1uF 50V K	1	
	C57	CF92JV1H474J	MPC CAPACITOR	0.47uF 50V J	1	
	C58	CF92JV1H474J	MPC CAPACITOR	0.47uF 50V J	1	
	C59	CK73GBB1H104K	C CAPACITOR	0.1uF 50V K	1	
	C60	CK73GBB1H104K	C CAPACITOR	0.1uF 50V K	1	
	C61	CK73GBB1H103K	C CAPACITOR	0.01uF 50V K	1	
	C62	CK73GBB1H103K	C CAPACITOR	0.01uF 50V K	1	
	C63	CK73GBB1H104K	C CAPACITOR	0.1uF 50V K	1	
	C64	CK73FXR1C106K	C CAPACITOR	10uF 16V K	1	
	C65	CE32CL1C100M	E CAPACITOR	10uF 16V M	1	
	C66	CE32CL1C100M	E CAPACITOR	10uF 16V M	1	
	C81	CC73GCH1H101J	C CAPACITOR	100pF 50V J	1	
	C121	CC73GCH1H471J	C CAPACITOR	470pF 50V J	1	
	C122	CC73GCH1H471J	C CAPACITOR	470pF 50V J	1	
	C123	CC73GCH1H102J	C CAPACITOR	1000pF 50V J	1	
	C124	CC73GCH1H102J	C CAPACITOR	1000pF 50V J	1	
	C125	CC73GCH1H102J	C CAPACITOR	1000pF 50V J	1	
	C126	CC73GCH1H102J	C CAPACITOR	1000pF 50V J	1	
	C127	CC73GCH1H102J	C CAPACITOR	1000pF 50V J	1	
	C128	CC73GCH1H102J	C CAPACITOR	1000pF 50V J	1	
	C129	CK73FXR1C106K	C CAPACITOR	10uF 16V K	1	
	C130	CK73FXR1C106K	C CAPACITOR	10uF 16V K	1	
	C131	CK73GBB1H104K	C CAPACITOR	0.1uF 50V K	1	
	C132	CK73FXR1C106K	C CAPACITOR	10uF 16V K	1	
	C133	CK73GBB1H104K	C CAPACITOR	0.1uF 50V K	1	
	C134	CK73GBB1H104K	C CAPACITOR	0.1uF 50V K	1	
	C135	CK73FXR1C106K	C CAPACITOR	10uF 16V K	1	
	C136	CK73FXR1C106K	C CAPACITOR	10uF 16V K	1	
	C137	CC73GCH1H102J	C CAPACITOR	1000pF 50V J	1	

MODEL	MARK
KAC-M1824BT	

Safe	Symbol No.	Parts No.	Parts Name	Description	QTY	Local
	C138	CC73GCH1H102J	C CAPACITOR	1000pF 50V J	1	
	C139	CC73GCH1H102J	C CAPACITOR	1000pF 50V J	1	
	C140	CC73GCH1H102J	C CAPACITOR	1000pF 50V J	1	
	C141	CC73GCH1H102J	C CAPACITOR	1000pF 50V J	1	
	C142	CC73GCH1H102J	C CAPACITOR	1000pF 50V J	1	
	C143	CC73GCH1H102J	C CAPACITOR	1000pF 50V J	1	
	C144	CC73GCH1H102J	C CAPACITOR	1000pF 50V J	1	
	C145	CK73FBB1H224K	C CAPACITOR	0.22uF 50V K	1	
	C146	CK73FBB1H224K	C CAPACITOR	0.22uF 50V K	1	
	C147	CK73FBB1H224K	C CAPACITOR	0.22uF 50V K	1	
	C148	CK73FBB1H224K	C CAPACITOR	0.22uF 50V K	1	
	C149	CC73GCH1H151J	C CAPACITOR	150pF 50V J	1	
	C150	CC73GCH1H151J	C CAPACITOR	150pF 50V J	1	
	C151	CE32CC1V220M	E CAPACITOR	22uF 35V M	1	
	C152	CE32CC1V220M	E CAPACITOR	22uF 35V M	1	
	C153	CK73GGB1H104K	C CAPACITOR	0.1uF 50V K	1	
	C154	CK73GGB1H104K	C CAPACITOR	0.1uF 50V K	1	
	C155	CK73GGB1H104K	C CAPACITOR	0.1uF 50V K	1	
	C156	CK73GGB1H104K	C CAPACITOR	0.1uF 50V K	1	
	C157	CF92JV1H474J	MPC CAPACITOR	0.47uF 50V J	1	
	C158	CF92JV1H474J	MPC CAPACITOR	0.47uF 50V J	1	
	C159	CK73GGB1H104K	C CAPACITOR	0.1uF 50V K	1	
	C160	CK73GGB1H104K	C CAPACITOR	0.1uF 50V K	1	
	C161	CK73GGB1H103K	C CAPACITOR	0.01uF 50V K	1	
	C162	CK73GGB1H103K	C CAPACITOR	0.01uF 50V K	1	
	C163	CK73GGB1H104K	C CAPACITOR	0.1uF 50V K	1	
	C164	CK73FXR1C106K	C CAPACITOR	10uF 16V K	1	
	C165	CE32CL1C100M	E CAPACITOR	10uF 16V M	1	
	C166	CE32CL1C100M	E CAPACITOR	10uF 16V M	1	
	C181	CC73GCH1H101J	C CAPACITOR	100pF 50V J	1	
	C182	CK73GGB1H103K	C CAPACITOR	0.01uF 50V K	1	
	C183	CK73GGB1H103K	C CAPACITOR	0.01uF 50V K	1	
	C201	CK73GGB1H103K	C CAPACITOR	0.01uF 50V K	1	
	C203	CK73GGB1H103K	C CAPACITOR	0.01uF 50V K	1	
	C204	CK73GGB1H103K	C CAPACITOR	0.01uF 50V K	1	
	C207	CK73GGB1H103K	C CAPACITOR	0.01uF 50V K	1	
	C208	CK73GGB1H104K	C CAPACITOR	0.1uF 50V K	1	
	C209	CK73GGB1H104K	C CAPACITOR	0.1uF 50V K	1	
	C211	CK73GGB1H103K	C CAPACITOR	0.01uF 50V K	1	
	C213	CK73GGB1C105K	C CAPACITOR	1uF 16V K	1	
	C214	CK73GGB1C105K	C CAPACITOR	1uF 16V K	1	
	C215	CE32CL0J101M	E CAPACITOR	100uF 6.3V M	1	
	C216	C90-6939-05	E CAPACITOR		1	
	C217	CK73GGB1H222K	C CAPACITOR	2200pF 50V K	1	
	C218	CK73GGB1H222K	C CAPACITOR	2200pF 50V K	1	
	C219	CC73GCH1H102J	C CAPACITOR	1000pF 50V J	1	
	C220	CC73GCH1H102J	C CAPACITOR	1000pF 50V J	1	
	C221	CE32CL0J470M	E CAPACITOR	47uF 6.3V M	1	
	C222	CK73GGB1H103K	C CAPACITOR	0.01uF 50V K	1	
	C223	CK73GGB1C105K	C CAPACITOR	1uF 16V K	1	
	C224	CK73GGB1H104K	C CAPACITOR	0.1uF 50V K	1	
	C225	CK73GGB1H104K	C CAPACITOR	0.1uF 50V K	1	
	C226	CK73GGB1H104K	C CAPACITOR	0.1uF 50V K	1	
	C227	CC73GCH1H102J	C CAPACITOR	1000pF 50V J	1	
	C228	CK73FXR1C106K	C CAPACITOR	10uF 16V K	1	
	C229	CK73GGB1H103K	C CAPACITOR	0.01uF 50V K	1	
	C231	CK73GGB1H104K	C CAPACITOR	0.1uF 50V K	1	
	C232	CK73GGB1H104K	C CAPACITOR	0.1uF 50V K	1	
	C233	CK73GGB1H222K	C CAPACITOR	2200pF 50V K	1	
	C234	CK73GGB1H222K	C CAPACITOR	2200pF 50V K	1	
	C235	CD04AY1E102M	E CAPACITOR	1000uF 25V M	1	
	C236	CD04AY1E102M	E CAPACITOR	1000uF 25V M	1	
	C237	CK73GGB1H103K	C CAPACITOR	0.01uF 50V K	1	
	C238	CK73GGB1H103K	C CAPACITOR	0.01uF 50V K	1	
	C239	CK73FXR1C106K	C CAPACITOR	10uF 16V K	1	
	C240	CE32CL1C470M	E CAPACITOR	47uF 16V M	1	
	C241	CK73FXR1C106K	C CAPACITOR	10uF 16V K	1	
	C242	CE32CL1C470M	E CAPACITOR	47uF 16V M	1	
	C243	CK73FXR1C106K	C CAPACITOR	10uF 16V K	1	
	C244	CE32CL1C470M	E CAPACITOR	47uF 16V M	1	
	C245	CE32CL0J470M	E CAPACITOR	47uF 6.3V M	1	
	C246	CE32CL0J470M	E CAPACITOR	47uF 6.3V M	1	
	C248	CC73GCH1H102J	C CAPACITOR	1000pF 50V J	1	
	C249	CK73GGB1H103K	C CAPACITOR	0.01uF 50V K	1	
	C250	CK73FXR1C106K	C CAPACITOR	10uF 16V K	1	
	C251	CC73GCH1H102J	C CAPACITOR	1000pF 50V J	1	
	C252	CC73GCH1H102J	C CAPACITOR	1000pF 50V J	1	
	C253	CK73GGB1H103K	C CAPACITOR	0.01uF 50V K	1	
	C254	CK73GGB1H103K	C CAPACITOR	0.01uF 50V K	1	
	C255	CK73EXR1E106K	C CAPACITOR	10uF 25V K	1	
	C256	CK73GGB1H103K	C CAPACITOR	0.01uF 50V K	1	
	C257	CK73GGB1H103K	C CAPACITOR	0.01uF 50V K	1	
	C258	CK73FXR1C106K	C CAPACITOR	10uF 16V K	1	
	C259	CK73GGB1H103K	C CAPACITOR	0.01uF 50V K	1	
	C262	CK73FXR1C106K	C CAPACITOR	10uF 16V K	1	
	C263	CK73FXR1C106K	C CAPACITOR	10uF 16V K	1	
	C264	CC73GCH1H102J	C CAPACITOR	1000pF 50V J	1	
	C266	CK73GGB1H103K	C CAPACITOR	0.01uF 50V K	1	
	C267	CK73GGB1H103K	C CAPACITOR	0.01uF 50V K	1	
	C268	CK73GGB1H103K	C CAPACITOR	0.01uF 50V K	1	
	C269	CK73GGB1H103K	C CAPACITOR	0.01uF 50V K	1	
	C270	CK73GGB1C105K	C CAPACITOR	1uF 16V K	1	
	C276	CK73EXR1E106K	C CAPACITOR	10uF 25V K	1	

MODEL	MARK
KAC-M1824BT	

Safe	Symbol No.	Parts No.	Parts Name	Description	QTY	Local
	C277	CK73GBB1H104K	C CAPACITOR	0.1uF 50V K	1	
	C278	CK73FXR1C106K	C CAPACITOR	10uF 16V K	1	
	C279	CK73GBB1H103K	C CAPACITOR	0.01uF 50V K	1	
	C280	CK73GBB1H682K	C CAPACITOR	6800pF 50V K	1	
	C281	CC73GCH1H101J	C CAPACITOR	100pF 50V J	1	
	C282	CK73GBB1H103K	C CAPACITOR	0.01uF 50V K	1	
	C283	CC73GCH1H101J	C CAPACITOR	100pF 50V J	1	
	C284	CK73GBB1H103K	C CAPACITOR	0.01uF 50V K	1	
	C285	CK73GBB1H103K	C CAPACITOR	0.01uF 50V K	1	
	C286	CK73GBB1H103K	C CAPACITOR	0.01uF 50V K	1	
	C287	CK73GBB1H103K	C CAPACITOR	0.01uF 50V K	1	
	C288	CC73GCH1H102J	C CAPACITOR	1000pF 50V J	1	
	C289	CK73FXR1C106K	C CAPACITOR	10uF 16V K	1	
	C290	CK73GBB1H103K	C CAPACITOR	0.01uF 50V K	1	
	C501	CE32CL1C220M	E CAPACITOR	22uF 16V M	1	
	C502	CE32CL1C220M	E CAPACITOR	22uF 16V M	1	
	C503	CE32CL1C220M	E CAPACITOR	22uF 16V M	1	
	C504	CE32CL1C220M	E CAPACITOR	22uF 16V M	1	
	C521	CC73GCH1H330J	C CAPACITOR	33pF 50V J	1	
	C522	CC73GCH1H330J	C CAPACITOR	33pF 50V J	1	
	C523	CC73GCH1H330J	C CAPACITOR	33pF 50V J	1	
	C524	CC73GCH1H330J	C CAPACITOR	33pF 50V J	1	
	C531	CC73GCH1H330J	C CAPACITOR	33pF 50V J	1	
	C532	CC73GCH1H330J	C CAPACITOR	33pF 50V J	1	
	C535	CC73GCH1H560J	C CAPACITOR	56pF 50V J	1	
	C536	CC73GCH1H560J	C CAPACITOR	56pF 50V J	1	
	C537	CC73GCH1H560J	C CAPACITOR	56pF 50V J	1	
	C538	CC73GCH1H560J	C CAPACITOR	56pF 50V J	1	
	C539	CK73GBB1H103K	C CAPACITOR	0.01uF 50V K	1	
	C540	CK73GBB1H103K	C CAPACITOR	0.01uF 50V K	1	
	C543	CC73GCH1H101J	C CAPACITOR	100pF 50V J	1	
	C544	CC73GCH1H101J	C CAPACITOR	100pF 50V J	1	
	C549	CK73GBB1H103K	C CAPACITOR	0.01uF 50V K	1	
	C550	CK73GBB1H103K	C CAPACITOR	0.01uF 50V K	1	
	C551	CK73FXR1C106K	C CAPACITOR	10uF 16V K	1	
	C552	CK73FXR1C106K	C CAPACITOR	10uF 16V K	1	
	C553	CK73FXR1C106K	C CAPACITOR	10uF 16V K	1	
	C554	CK73FXR1C106K	C CAPACITOR	10uF 16V K	1	
	C571	CC73GCH1H102J	C CAPACITOR	1000pF 50V J	1	
	C572	CC73GCH1H102J	C CAPACITOR	1000pF 50V J	1	
	C575	CC73GCH1H331J	C CAPACITOR	330pF 50V J	1	
	C576	CC73GCH1H331J	C CAPACITOR	330pF 50V J	1	
	C579	CK73GBB1H103K	C CAPACITOR	0.01uF 50V K	1	
	C580	CK73GBB1H103K	C CAPACITOR	0.01uF 50V K	1	
	C601	CE32CL1C220M	E CAPACITOR	22uF 16V M	1	
	C602	CE32CL1C220M	E CAPACITOR	22uF 16V M	1	
	C603	CE32CL1C220M	E CAPACITOR	22uF 16V M	1	
	C604	CE32CL1C220M	E CAPACITOR	22uF 16V M	1	
	C621	CC73GCH1H330J	C CAPACITOR	33pF 50V J	1	
	C622	CC73GCH1H330J	C CAPACITOR	33pF 50V J	1	
	C623	CC73GCH1H330J	C CAPACITOR	33pF 50V J	1	
	C624	CC73GCH1H330J	C CAPACITOR	33pF 50V J	1	
	C631	CC73GCH1H330J	C CAPACITOR	33pF 50V J	1	
	C632	CC73GCH1H330J	C CAPACITOR	33pF 50V J	1	
	C635	CC73GCH1H560J	C CAPACITOR	56pF 50V J	1	
	C636	CC73GCH1H560J	C CAPACITOR	56pF 50V J	1	
	C637	CC73GCH1H560J	C CAPACITOR	56pF 50V J	1	
	C638	CC73GCH1H560J	C CAPACITOR	56pF 50V J	1	
	C639	CK73GBB1H103K	C CAPACITOR	0.01uF 50V K	1	
	C640	CK73GBB1H103K	C CAPACITOR	0.01uF 50V K	1	
	C643	CC73GCH1H101J	C CAPACITOR	100pF 50V J	1	
	C644	CC73GCH1H101J	C CAPACITOR	100pF 50V J	1	
	C651	CK73FXR1C106K	C CAPACITOR	10uF 16V K	1	
	C652	CK73FXR1C106K	C CAPACITOR	10uF 16V K	1	
	C653	CK73FXR1C106K	C CAPACITOR	10uF 16V K	1	
	C654	CK73FXR1C106K	C CAPACITOR	10uF 16V K	1	
	C671	CC73GCH1H102J	C CAPACITOR	1000pF 50V J	1	
	C672	CC73GCH1H102J	C CAPACITOR	1000pF 50V J	1	
	C675	CC73GCH1H331J	C CAPACITOR	330pF 50V J	1	
	C676	CC73GCH1H331J	C CAPACITOR	330pF 50V J	1	
	C711	CE32CL1C100M	E CAPACITOR	10uF 16V M	1	
	C712	CE32CL1C100M	E CAPACITOR	10uF 16V M	1	
	C713	CC73GCH1H471J	C CAPACITOR	470pF 50V J	1	
	C714	CC73GCH1H471J	C CAPACITOR	470pF 50V J	1	
	C715	CK73GBB1H103K	C CAPACITOR	0.01uF 50V K	1	
	C719	CK73GBB1H103K	C CAPACITOR	0.01uF 50V K	1	
	C720	CK73GBB1H103K	C CAPACITOR	0.01uF 50V K	1	
	C721	CK73GBB1H103K	C CAPACITOR	0.01uF 50V K	1	
	C722	CK73GBB1H103K	C CAPACITOR	0.01uF 50V K	1	
	C723	CK73GBB1H103K	C CAPACITOR	0.01uF 50V K	1	
	C724	CK73GBB1H103K	C CAPACITOR	0.01uF 50V K	1	
	C752	CK73GBB1H103K	C CAPACITOR	0.01uF 50V K	1	
	C756	CC73GCH1H102J	C CAPACITOR	1000pF 50V J	1	
	C801	CC73GCH1H470J	C CAPACITOR	47pF 50V J	1	
	C802	CC73GCH1H470J	C CAPACITOR	47pF 50V J	1	
	C809	CC73GCH1H220J	C CAPACITOR	22pF 50V J	1	
	C810	CC73GCH1H220J	C CAPACITOR	22pF 50V J	1	
	C811	CC73GCH1H220J	C CAPACITOR	22pF 50V J	1	
	C812	CC73GCH1H220J	C CAPACITOR	22pF 50V J	1	
	C819	CK73GBB1H104K	C CAPACITOR	0.1uF 50V K	1	
	C820	CK73GBB1H104K	C CAPACITOR	0.1uF 50V K	1	
	C831	CC73GCH1H470J	C CAPACITOR	47pF 50V J	1	

MODEL	MARK
KAC-M1824BT	

Safe	Symbol No.	Parts No.	Parts Name	Description	QTY	Local
	C832	CC73GCH1H470J	C CAPACITOR	47pF 50V J	1	
	C833	CC73GCH1H470J	C CAPACITOR	47pF 50V J	1	
	C834	CC73GCH1H470J	C CAPACITOR	47pF 50V J	1	
	C839	CK73GBB1H104K	C CAPACITOR	0.1uF 50V K	1	
	C840	CK73GBB1H104K	C CAPACITOR	0.1uF 50V K	1	
	C861	CK73GBB1H103K	C CAPACITOR	0.01uF 50V K	1	
	C862	CK73FXR1C106K	C CAPACITOR	10uF 16V K	1	
	C891	CK73GBB1H103K	C CAPACITOR	0.01uF 50V K	1	
	C892	CK73GBB1H103K	C CAPACITOR	0.01uF 50V K	1	
	C893	CK73GBB1H103K	C CAPACITOR	0.01uF 50V K	1	
	C894	CC73GCH1H102J	C CAPACITOR	1000pF 50V J	1	
	R21	RK73GB2A102J	MG RESISTOR	1kΩ 1/10W J	1	
	R22	RK73GB2A102J	MG RESISTOR	1kΩ 1/10W J	1	
	R23	RK73GB2A222J	MG RESISTOR	2.2kΩ 1/10W J	1	
	R24	RK73GB2A222J	MG RESISTOR	2.2kΩ 1/10W J	1	
	R25	RK73GB2A152J	MG RESISTOR	1.5kΩ 1/10W J	1	
	R26	RK73GB2A911J	MG RESISTOR	910Ω 1/10W J	1	
	R27	RK73GB2A1R0J	MG RESISTOR	1Ω 1/10W J	1	
	R28	RK73GB2A1R0J	MG RESISTOR	1Ω 1/10W J	1	
	R29	RK73GB2A223J	MG RESISTOR	22kΩ 1/10W J	1	
	R30	RK73GB2A223J	MG RESISTOR	22kΩ 1/10W J	1	
	R32	RK73GB2A103J	MG RESISTOR	10kΩ 1/10W J	1	
	R33	RK73GB2A563J	MG RESISTOR	56kΩ 1/10W J	1	
	R34	RK73GB2A563J	MG RESISTOR	56kΩ 1/10W J	1	
	R35	RK73GB2A203J	MG RESISTOR	20kΩ 1/10W J	1	
	R36	RK73GB2A203J	MG RESISTOR	20kΩ 1/10W J	1	
	R37	RK73FB2B4R7J	MG RESISTOR	4.7Ω 1/8W J	1	
	R38	RK73FB2B4R7J	MG RESISTOR	4.7Ω 1/8W J	1	
	R39	RK73FB2B100J	MG RESISTOR	10Ω 1/8W J	1	
	R40	RK73FB2B100J	MG RESISTOR	10Ω 1/8W J	1	
	R41	RK73FB2B100J	MG RESISTOR	10Ω 1/8W J	1	
	R42	RK73FB2B100J	MG RESISTOR	10Ω 1/8W J	1	
	R43	RK73GB2A102J	MG RESISTOR	1kΩ 1/10W J	1	
	R44	RK73GB2A102J	MG RESISTOR	1kΩ 1/10W J	1	
	R45	RK73EB2E100J	MG RESISTOR	10Ω 1/4W J	1	
	R46	RK73EB2E100J	MG RESISTOR	10Ω 1/4W J	1	
	R47	RK73EB2E222J	MG RESISTOR	2.2kΩ 1/4W J	1	
	R48	RK73EB2E222J	MG RESISTOR	2.2kΩ 1/4W J	1	
	R49	RK73GB2A433J	MG RESISTOR	43kΩ 1/10W J	1	
	R50	RK73GB2A433J	MG RESISTOR	43kΩ 1/10W J	1	
	R51	RK73FB2B100J	MG RESISTOR	10Ω 1/8W J	1	
	R61	RK73GB2A101J	MG RESISTOR	100Ω 1/10W J	1	
	R81	RK73GB2A103J	MG RESISTOR	10kΩ 1/10W J	1	
	R82	RK73GB2A103J	MG RESISTOR	10kΩ 1/10W J	1	
	R121	RK73GB2A102J	MG RESISTOR	1kΩ 1/10W J	1	
	R122	RK73GB2A102J	MG RESISTOR	1kΩ 1/10W J	1	
	R123	RK73GB2A222J	MG RESISTOR	2.2kΩ 1/10W J	1	
	R124	RK73GB2A222J	MG RESISTOR	2.2kΩ 1/10W J	1	
	R125	RK73GB2A681J	MG RESISTOR	680Ω 1/10W J	1	
	R126	RK73GB2A561J	MG RESISTOR	560Ω 1/10W J	1	
	R127	RK73GB2A1R0J	MG RESISTOR	1Ω 1/10W J	1	
	R128	RK73GB2A1R0J	MG RESISTOR	1Ω 1/10W J	1	
	R129	RK73GB2A223J	MG RESISTOR	22kΩ 1/10W J	1	
	R130	RK73GB2A223J	MG RESISTOR	22kΩ 1/10W J	1	
	R132	RK73GB2A103J	MG RESISTOR	10kΩ 1/10W J	1	
	R133	RK73GB2A563J	MG RESISTOR	56kΩ 1/10W J	1	
	R134	RK73GB2A563J	MG RESISTOR	56kΩ 1/10W J	1	
	R135	RK73GB2A203J	MG RESISTOR	20kΩ 1/10W J	1	
	R136	RK73GB2A203J	MG RESISTOR	20kΩ 1/10W J	1	
	R137	RK73FB2B4R7J	MG RESISTOR	4.7Ω 1/8W J	1	
	R138	RK73FB2B4R7J	MG RESISTOR	4.7Ω 1/8W J	1	
	R139	RK73FB2B100J	MG RESISTOR	10Ω 1/8W J	1	
	R140	RK73FB2B100J	MG RESISTOR	10Ω 1/8W J	1	
	R141	RK73FB2B100J	MG RESISTOR	10Ω 1/8W J	1	
	R142	RK73FB2B100J	MG RESISTOR	10Ω 1/8W J	1	
	R143	RK73GB2A102J	MG RESISTOR	1kΩ 1/10W J	1	
	R144	RK73GB2A102J	MG RESISTOR	1kΩ 1/10W J	1	
	R145	RK73EB2E100J	MG RESISTOR	10Ω 1/4W J	1	
	R146	RK73EB2E100J	MG RESISTOR	10Ω 1/4W J	1	
	R147	RK73EB2E222J	MG RESISTOR	2.2kΩ 1/4W J	1	
	R148	RK73EB2E222J	MG RESISTOR	2.2kΩ 1/4W J	1	
	R149	RK73GB2A433J	MG RESISTOR	43kΩ 1/10W J	1	
	R150	RK73GB2A433J	MG RESISTOR	43kΩ 1/10W J	1	
	R151	RK73FB2B100J	MG RESISTOR	10Ω 1/8W J	1	
	R161	RK73GB2A101J	MG RESISTOR	100Ω 1/10W J	1	
	R181	RK73GB2A103J	MG RESISTOR	10kΩ 1/10W J	1	
	R182	RK73GB2A103J	MG RESISTOR	10kΩ 1/10W J	1	
	R203	RK73GB2A332J	MG RESISTOR	3.3kΩ 1/10W J	1	
	R205	RK73GB2A152J	MG RESISTOR	1.5kΩ 1/10W J	1	
	R206	RK73GB2A273J	MG RESISTOR	27kΩ 1/10W J	1	
	R207	RK73GB2A332J	MG RESISTOR	3.3kΩ 1/10W J	1	
	R208	RK73GB2A683J	MG RESISTOR	68kΩ 1/10W J	1	
	R209	RK73GB2A473J	MG RESISTOR	47kΩ 1/10W J	1	
	R210	RK73GB2A622J	MG RESISTOR	6.2kΩ 1/10W J	1	
	R211	RK73GB2A103J	MG RESISTOR	10kΩ 1/10W J	1	
	R212	RK73GB2A103J	MG RESISTOR	10kΩ 1/10W J	1	
	R213	RK73GB2A473J	MG RESISTOR	47kΩ 1/10W J	1	
	R214	RK73GB2A303J	MG RESISTOR	30kΩ 1/10W J	1	
	R215	R92-5628-05	MP RESISTOR		1	
	R216	RK73GB2A102J	MG RESISTOR	1kΩ 1/10W J	1	
	R217	RK73GB2A102J	MG RESISTOR	1kΩ 1/10W J	1	
	R218	RK73GB2A513J	MG RESISTOR	51kΩ 1/10W J	1	

MODEL	MARK
KAC-M1824BT	

Safe	Symbol No.	Parts No.	Parts Name	Description	QTY	Local
R219		RK73GB2A223J	MG RESISTOR	22kΩ 1/10W J	1	
R220		RK73GB2A123J	MG RESISTOR	12kΩ 1/10W J	1	
R221		RK73GB2A223J	MG RESISTOR	22kΩ 1/10W J	1	
R224		RK73GB2A102J	MG RESISTOR	1kΩ 1/10W J	1	
R225		RK73GB2A562J	MG RESISTOR	5.6kΩ 1/10W J	1	
R226		RK73GB2A680J	MG RESISTOR	68Ω 1/10W J	1	
R227		RK73GB2A680J	MG RESISTOR	68Ω 1/10W J	1	
R228		RK73GB2A472J	MG RESISTOR	4.7kΩ 1/10W J	1	
R229		RK73GB2A472J	MG RESISTOR	4.7kΩ 1/10W J	1	
R230		RK73GB2A102J	MG RESISTOR	1kΩ 1/10W J	1	
R231		RK73GB2A102J	MG RESISTOR	1kΩ 1/10W J	1	
R232		RK73PB2H100J	MG RESISTOR	10Ω 1/2W J	1	
R233		RK73PB2H100J	MG RESISTOR	10Ω 1/2W J	1	
R234		RK73PB2H100J	MG RESISTOR	10Ω 1/2W J	1	
R235		RK73GB2A133J	MG RESISTOR	13kΩ 1/10W J	1	
R236		RK73GB2A331J	MG RESISTOR	330Ω 1/10W J	1	
R237		RK73GB2A682J	MG RESISTOR	6.8kΩ 1/10W J	1	
R238		RK73GB2A154J	MG RESISTOR	150kΩ 1/10W J	1	
R239		RK73GB2A223J	MG RESISTOR	22kΩ 1/10W J	1	
R240		RK73GB2A102J	MG RESISTOR	1kΩ 1/10W J	1	
R241		RK73GB2A103J	MG RESISTOR	10kΩ 1/10W J	1	
R242		RK73GB2A473J	MG RESISTOR	47kΩ 1/10W J	1	
R243		RK73GB2A822J	MG RESISTOR	8.2kΩ 1/10W J	1	
R244		RK73GB2A472J	MG RESISTOR	4.7kΩ 1/10W J	1	
R245		RK73GB2A472J	MG RESISTOR	4.7kΩ 1/10W J	1	
R246		RK73GB2A392J	MG RESISTOR	3.9kΩ 1/10W J	1	
R247		RK73GB2A682J	MG RESISTOR	6.8kΩ 1/10W J	1	
R248		RK73GB2A682J	MG RESISTOR	6.8kΩ 1/10W J	1	
R249		RK73GB2A152J	MG RESISTOR	1.5kΩ 1/10W J	1	
R250		RK73EB2E392J	MG RESISTOR	3.9kΩ 1/4W J	1	
R251		RK73GB2A392J	MG RESISTOR	3.9kΩ 1/10W J	1	
R252		RK73PB2H100J	MG RESISTOR	10Ω 1/2W J	1	
R253		RK73PB2H100J	MG RESISTOR	10Ω 1/2W J	1	
R254		RK73EB2E153J	MG RESISTOR	15kΩ 1/4W J	1	
R255		RK73EB2E153J	MG RESISTOR	15kΩ 1/4W J	1	
R256		RK73EB2E4R7J	MG RESISTOR	4.7Ω 1/4W J	1	
R257		RK73EB2E4R7J	MG RESISTOR	4.7Ω 1/4W J	1	
R258		RK73EB2E272J	MG RESISTOR	2.7kΩ 1/4W J	1	
R260		RK73EB2E272J	MG RESISTOR	2.7kΩ 1/4W J	1	
R262		RK73EB2E4R7J	MG RESISTOR	4.7Ω 1/4W J	1	
R263		RK73EB2E222J	MG RESISTOR	2.2kΩ 1/4W J	1	
R264		RK73GB2A821J	MG RESISTOR	820Ω 1/10W J	1	
R265		RK73GB2A472J	MG RESISTOR	4.7kΩ 1/10W J	1	
R266		RK73GB2A103J	MG RESISTOR	10kΩ 1/10W J	1	
R267		RK73GB2A153J	MG RESISTOR	15kΩ 1/10W J	1	
R268		RK73GB2A100J	MG RESISTOR	10Ω 1/10W J	1	
R269		RK73EB2E100J	MG RESISTOR	10Ω 1/4W J	1	
R270		RK73EB2E100J	MG RESISTOR	10Ω 1/4W J	1	
R271		RK73GB2A472J	MG RESISTOR	4.7kΩ 1/10W J	1	
R276		RK73GB2A103J	MG RESISTOR	10kΩ 1/10W J	1	
R277		RK73GB2A103J	MG RESISTOR	10kΩ 1/10W J	1	
R278		RK73GB2A473J	MG RESISTOR	47kΩ 1/10W J	1	
R279		RK73GB2A512J	MG RESISTOR	5.1kΩ 1/10W J	1	
R280		RK73GB2A104J	MG RESISTOR	100kΩ 1/10W J	1	
R283		RK73GB2A333J	MG RESISTOR	33kΩ 1/10W J	1	
R284		RK73GB2A224J	MG RESISTOR	220kΩ 1/10W J	1	
R285		RK73GB2A101J	MG RESISTOR	100Ω 1/10W J	1	
R286		RK73GB2A103J	MG RESISTOR	10kΩ 1/10W J	1	
R287		RK73GB2A103J	MG RESISTOR	10kΩ 1/10W J	1	
R288		RK73GB2A472J	MG RESISTOR	4.7kΩ 1/10W J	1	
R289		RK73GB2A273J	MG RESISTOR	27kΩ 1/10W J	1	
R290		RK73GB2A104J	MG RESISTOR	100kΩ 1/10W J	1	
R293		RK73GB2A182J	MG RESISTOR	1.8kΩ 1/10W J	1	
R294		RK73GB2A182J	MG RESISTOR	1.8kΩ 1/10W J	1	
R298		RK73GB2A102J	MG RESISTOR	1kΩ 1/10W J	1	
R299		RK73GB2A474J	MG RESISTOR	470kΩ 1/10W J	1	
R301		RK73GB2A682J	MG RESISTOR	6.8kΩ 1/10W J	1	
R307		RK73GB2A473J	MG RESISTOR	47kΩ 1/10W J	1	
R308		RK73GB2A473J	MG RESISTOR	47kΩ 1/10W J	1	
R320		RK73GB2A103J	MG RESISTOR	10kΩ 1/10W J	1	
R321		RK73GH2A154D	MG RESISTOR	150kΩ 1/10W D	1	
R322		RK73GH2A363D	MG RESISTOR	36kΩ 1/10W D	1	
R323		RK73GH2A753D	MG RESISTOR	75kΩ 1/10W D	1	
R324		RK73GH2A513D	MG RESISTOR	51kΩ 1/10W D	1	
R325		RK73GH2A433D	MG RESISTOR	43kΩ 1/10W D	1	
R326		RK73GH2A513D	MG RESISTOR	51kΩ 1/10W D	1	
R327		RK73GB2A102J	MG RESISTOR	1kΩ 1/10W J	1	
R328		RK73GB2A103J	MG RESISTOR	10kΩ 1/10W J	1	
R329		RK73GB2A103J	MG RESISTOR	10kΩ 1/10W J	1	
R330		RK73GB2A473J	MG RESISTOR	47kΩ 1/10W J	1	
R501		RK73GB2A472J	MG RESISTOR	4.7kΩ 1/10W J	1	
R502		RK73GB2A472J	MG RESISTOR	4.7kΩ 1/10W J	1	
R503		RK73GB2A472J	MG RESISTOR	4.7kΩ 1/10W J	1	
R504		RK73GB2A472J	MG RESISTOR	4.7kΩ 1/10W J	1	
R505		RK73GB2A224J	MG RESISTOR	220kΩ 1/10W J	1	
R506		RK73GB2A224J	MG RESISTOR	220kΩ 1/10W J	1	
R507		RK73GB2A224J	MG RESISTOR	220kΩ 1/10W J	1	
R508		RK73GB2A224J	MG RESISTOR	220kΩ 1/10W J	1	
R509		RK73GB2A113J	MG RESISTOR	11kΩ 1/10W J	1	
R510		RK73GB2A223J	MG RESISTOR	22kΩ 1/10W J	1	
R511		RK73GB2A113J	MG RESISTOR	11kΩ 1/10W J	1	
R531		RK73GH2A103D	MG RESISTOR	10kΩ 1/10W D	1	
R532		RK73GH2A103D	MG RESISTOR	10kΩ 1/10W D	1	

MODEL	MARK
KAC-M1824BT	

Safe	Symbol No.	Parts No.	Parts Name	Description	QTY	Local
	R533	RK73GH2A103D	MG RESISTOR	10kΩ 1/10W D	1	
	R534	RK73GH2A103D	MG RESISTOR	10kΩ 1/10W D	1	
	R535	RK73GH2A682D	MG RESISTOR	6.8kΩ 1/10W D	1	
	R536	RK73GH2A682D	MG RESISTOR	6.8kΩ 1/10W D	1	
	R537	RK73GH2A682D	MG RESISTOR	6.8kΩ 1/10W D	1	
	R538	RK73GH2A682D	MG RESISTOR	6.8kΩ 1/10W D	1	
	R541	RK73GB2A103J	MG RESISTOR	10kΩ 1/10W J	1	
	R542	RK73GB2A103J	MG RESISTOR	10kΩ 1/10W J	1	
	R543	RK73GB2A153J	MG RESISTOR	15kΩ 1/10W J	1	
	R544	RK73GB2A153J	MG RESISTOR	15kΩ 1/10W J	1	
	R545	RK73GB2A332J	MG RESISTOR	3.3kΩ 1/10W J	1	
	R546	RK73GB2A332J	MG RESISTOR	3.3kΩ 1/10W J	1	
	R547	RK73GB2A224J	MG RESISTOR	220kΩ 1/10W J	1	
	R548	RK73GB2A224J	MG RESISTOR	220kΩ 1/10W J	1	
	R549	RK73GB2A224J	MG RESISTOR	220kΩ 1/10W J	1	
	R550	RK73GB2A224J	MG RESISTOR	220kΩ 1/10W J	1	
	R561	RK73GB2A511J	MG RESISTOR	510Ω 1/10W J	1	
	R562	RK73GB2A511J	MG RESISTOR	510Ω 1/10W J	1	
	R563	RK73GB2A103J	MG RESISTOR	10kΩ 1/10W J	1	
	R564	RK73GB2A103J	MG RESISTOR	10kΩ 1/10W J	1	
	R565	RK73GB2A103J	MG RESISTOR	10kΩ 1/10W J	1	
	R566	RK73GB2A103J	MG RESISTOR	10kΩ 1/10W J	1	
	R571	RK73GB2A133J	MG RESISTOR	13kΩ 1/10W J	1	
	R572	RK73GB2A133J	MG RESISTOR	13kΩ 1/10W J	1	
	R573	RK73GB2A133J	MG RESISTOR	13kΩ 1/10W J	1	
	R574	RK73GB2A133J	MG RESISTOR	13kΩ 1/10W J	1	
	R575	RK73GB2A103J	MG RESISTOR	10kΩ 1/10W J	1	
	R576	RK73GB2A103J	MG RESISTOR	10kΩ 1/10W J	1	
	R591	RK73GB2A101J	MG RESISTOR	100Ω 1/10W J	1	
	R592	RK73GB2A101J	MG RESISTOR	100Ω 1/10W J	1	
	R601	RK73GB2A472J	MG RESISTOR	4.7kΩ 1/10W J	1	
	R602	RK73GB2A472J	MG RESISTOR	4.7kΩ 1/10W J	1	
	R603	RK73GB2A472J	MG RESISTOR	4.7kΩ 1/10W J	1	
	R604	RK73GB2A472J	MG RESISTOR	4.7kΩ 1/10W J	1	
	R605	RK73GB2A224J	MG RESISTOR	220kΩ 1/10W J	1	
	R606	RK73GB2A224J	MG RESISTOR	220kΩ 1/10W J	1	
	R607	RK73GB2A224J	MG RESISTOR	220kΩ 1/10W J	1	
	R608	RK73GB2A224J	MG RESISTOR	220kΩ 1/10W J	1	
	R609	RK73GB2A113J	MG RESISTOR	11kΩ 1/10W J	1	
	R610	RK73GB2A223J	MG RESISTOR	22kΩ 1/10W J	1	
	R611	RK73GB2A113J	MG RESISTOR	11kΩ 1/10W J	1	
	R631	RK73GH2A103D	MG RESISTOR	10kΩ 1/10W D	1	
	R632	RK73GH2A103D	MG RESISTOR	10kΩ 1/10W D	1	
	R633	RK73GH2A103D	MG RESISTOR	10kΩ 1/10W D	1	
	R634	RK73GH2A103D	MG RESISTOR	10kΩ 1/10W D	1	
	R635	RK73GH2A682D	MG RESISTOR	6.8kΩ 1/10W D	1	
	R636	RK73GH2A682D	MG RESISTOR	6.8kΩ 1/10W D	1	
	R637	RK73GH2A682D	MG RESISTOR	6.8kΩ 1/10W D	1	
	R638	RK73GH2A682D	MG RESISTOR	6.8kΩ 1/10W D	1	
	R641	RK73GB2A103J	MG RESISTOR	10kΩ 1/10W J	1	
	R642	RK73GB2A103J	MG RESISTOR	10kΩ 1/10W J	1	
	R643	RK73GB2A153J	MG RESISTOR	15kΩ 1/10W J	1	
	R644	RK73GB2A153J	MG RESISTOR	15kΩ 1/10W J	1	
	R645	RK73GB2A332J	MG RESISTOR	3.3kΩ 1/10W J	1	
	R646	RK73GB2A332J	MG RESISTOR	3.3kΩ 1/10W J	1	
	R647	RK73GB2A224J	MG RESISTOR	220kΩ 1/10W J	1	
	R648	RK73GB2A224J	MG RESISTOR	220kΩ 1/10W J	1	
	R649	RK73GB2A224J	MG RESISTOR	220kΩ 1/10W J	1	
	R650	RK73GB2A224J	MG RESISTOR	220kΩ 1/10W J	1	
	R661	RK73GB2A511J	MG RESISTOR	510Ω 1/10W J	1	
	R662	RK73GB2A511J	MG RESISTOR	510Ω 1/10W J	1	
	R663	RK73GB2A103J	MG RESISTOR	10kΩ 1/10W J	1	
	R664	RK73GB2A103J	MG RESISTOR	10kΩ 1/10W J	1	
	R665	RK73GB2A103J	MG RESISTOR	10kΩ 1/10W J	1	
	R666	RK73GB2A103J	MG RESISTOR	10kΩ 1/10W J	1	
	R671	RK73GB2A133J	MG RESISTOR	13kΩ 1/10W J	1	
	R672	RK73GB2A133J	MG RESISTOR	13kΩ 1/10W J	1	
	R673	RK73GB2A133J	MG RESISTOR	13kΩ 1/10W J	1	
	R674	RK73GB2A133J	MG RESISTOR	13kΩ 1/10W J	1	
	R675	RK73GB2A103J	MG RESISTOR	10kΩ 1/10W J	1	
	R676	RK73GB2A103J	MG RESISTOR	10kΩ 1/10W J	1	
	R691	RK73GB2A101J	MG RESISTOR	100Ω 1/10W J	1	
	R692	RK73GB2A101J	MG RESISTOR	100Ω 1/10W J	1	
	R701	RK73GB2A273J	MG RESISTOR	27kΩ 1/10W J	1	
	R702	RK73GB2A273J	MG RESISTOR	27kΩ 1/10W J	1	
	R703	RK73GB2A273J	MG RESISTOR	27kΩ 1/10W J	1	
	R704	RK73GB2A273J	MG RESISTOR	27kΩ 1/10W J	1	
	R705	RK73GB2A822J	MG RESISTOR	8.2kΩ 1/10W J	1	
	R706	RK73GB2A822J	MG RESISTOR	8.2kΩ 1/10W J	1	
	R708	RK73GB2A223J	MG RESISTOR	22kΩ 1/10W J	1	
	R710	RK73GB2A223J	MG RESISTOR	22kΩ 1/10W J	1	
	R711	RK73GB2A223J	MG RESISTOR	22kΩ 1/10W J	1	
	R712	RK73GB2A223J	MG RESISTOR	22kΩ 1/10W J	1	
	R713	RK73EB2E471J	MG RESISTOR	470Ω 1/4W J	1	
	R714	RK73EB2E471J	MG RESISTOR	470Ω 1/4W J	1	
	R751	RK73GB2A393J	MG RESISTOR	39kΩ 1/10W J	1	
	R752	RK73GB2A223J	MG RESISTOR	22kΩ 1/10W J	1	
	R753	RK73GB2A472J	MG RESISTOR	4.7kΩ 1/10W J	1	
	R754	RK73GB2A222J	MG RESISTOR	2.2kΩ 1/10W J	1	
	R756	RK73GB2A333J	MG RESISTOR	33kΩ 1/10W J	1	
	R757	RK73GB2A393J	MG RESISTOR	39kΩ 1/10W J	1	
	R801	RK73GH2A391D	MG RESISTOR	390Ω 1/10W D	1	

MODEL	MARK
KAC-M1824BT	

Safe	Symbol No.	Parts No.	Parts Name	Description	QTY	Local
R802		RK73GH2A391D	MG RESISTOR	390Ω 1/10W D	1	
R803		RK73GH2A391D	MG RESISTOR	390Ω 1/10W D	1	
R804		RK73GH2A391D	MG RESISTOR	390Ω 1/10W D	1	
R805		RK73GH2A102D	MG RESISTOR	1kΩ 1/10W D	1	
R806		RK73GH2A102D	MG RESISTOR	1kΩ 1/10W D	1	
R807		RK73GH2A102D	MG RESISTOR	1kΩ 1/10W D	1	
R808		RK73GH2A102D	MG RESISTOR	1kΩ 1/10W D	1	
R809		RK73GH2A103D	MG RESISTOR	10kΩ 1/10W D	1	
R810		RK73GH2A103D	MG RESISTOR	10kΩ 1/10W D	1	
R811		RK73GH2A103D	MG RESISTOR	10kΩ 1/10W D	1	
R812		RK73GH2A103D	MG RESISTOR	10kΩ 1/10W D	1	
R819		RK73GB2A100J	MG RESISTOR	10Ω 1/10W J	1	
R820		RK73GB2A100J	MG RESISTOR	10Ω 1/10W J	1	
R821		RK73GB2A272J	MG RESISTOR	2.7kΩ 1/10W J	1	
R822		RK73GB2A272J	MG RESISTOR	2.7kΩ 1/10W J	1	
R823		RK73GB2A123J	MG RESISTOR	12kΩ 1/10W J	1	
R824		RK73GB2A123J	MG RESISTOR	12kΩ 1/10W J	1	
R825		RK73GB2A123J	MG RESISTOR	12kΩ 1/10W J	1	
R826		RK73GB2A123J	MG RESISTOR	12kΩ 1/10W J	1	
R831		RK73GB2A103J	MG RESISTOR	10kΩ 1/10W J	1	
R832		RK73GB2A103J	MG RESISTOR	10kΩ 1/10W J	1	
R833		RK73GB2A103J	MG RESISTOR	10kΩ 1/10W J	1	
R834		RK73GB2A103J	MG RESISTOR	10kΩ 1/10W J	1	
R835		RK73GB2A822J	MG RESISTOR	8.2kΩ 1/10W J	1	
R836		RK73GB2A822J	MG RESISTOR	8.2kΩ 1/10W J	1	
R837		RK73GB2A822J	MG RESISTOR	8.2kΩ 1/10W J	1	
R838		RK73GB2A822J	MG RESISTOR	8.2kΩ 1/10W J	1	
R839		RK73GB2A100J	MG RESISTOR	10Ω 1/10W J	1	
R840		RK73GB2A100J	MG RESISTOR	10Ω 1/10W J	1	
R853		RK73GB2A103J	MG RESISTOR	10kΩ 1/10W J	1	
R856		RK73GB2A103J	MG RESISTOR	10kΩ 1/10W J	1	
R861		RK73GB2A222J	MG RESISTOR	2.2kΩ 1/10W J	1	
R862		RK73GB2A153J	MG RESISTOR	15kΩ 1/10W J	1	
R864		RK73GB2A103J	MG RESISTOR	10kΩ 1/10W J	1	
R871		RK73GB2A101J	MG RESISTOR	100Ω 1/10W J	1	
R872		RK73GB2A100J	MG RESISTOR	10Ω 1/10W J	1	
VR821		R3B-0004-00	V RESISTOR		1	
L1		LR19E0AU220M	LEADED INDUCTOR	22uH	1	
L2		LR19E0AU220M	LEADED INDUCTOR	22uH	1	
L101		LR19E0AU220M	LEADED INDUCTOR	22uH	1	
L102		LR19E0AU220M	LEADED INDUCTOR	22uH	1	
L201		L19-0856-05	CONVERT TRANS		1	
L202		L33-3209-05	CHOKO COIL		1	
L203		L33-2438-05	CHIP INDUCTOR		1	
CN1		EC710AM-0514A	FFC FPC CONNE		1	
CN591		EC720AA-0514A	FFC FPC CONNE		1	
CN801		E41-3348-05	PIN ASSY		1	
J1		E58-1043-05	R.RECEPTACLE		1	
J2		E5J-0056-00	USB TERMINAL		1	
J501		E6D-0003-00	PIN JACK		1	
J701		E6D-0006-00	PIN JACK		1	
S1		S62-0842-05	SLIDE SWITCH		1	
TH201		TH11-3H103FT	THERMISTOR		1	
TH202		TH11-3H103FT	THERMISTOR		1	
TH203		TH11-3H103FT	THERMISTOR		1	
W1		RK73GB2A000J	MG RESISTOR	0Ω 1/10W J	1	
W2		RK73GB2A000J	MG RESISTOR	0Ω 1/10W J	1	
BLUETOOTH PWB ASSY (XK9-0080-10) <02>						
IC51		74HC3GU04DP	MOS IC		1	
IC101		BD5228FVE	MOS IC		1	
IC141		XC6201P332PR	ANALOG IC		1	
Q129		ISA1602AM1(F)	TRANSISTOR		1	
Q130		ISA1602AM1(F)	TRANSISTOR		1	
Q151		LTC014EUBFS8	DIGI TRANSISTOR		1	
Q152		LTC014EUBFS8	DIGI TRANSISTOR		1	
D103		DZ2J033M	ZENER DIODE		1	
D104		DZ2J033M	ZENER DIODE		1	
D105		DZ2J033M	ZENER DIODE		1	
D106		DZ2J033M	ZENER DIODE		1	
D121		QSMR-C13SBCMN	LED		1	
D122		SML-E12V8W	LED		1	
D123		QSMR-C13SBCMN	LED		1	
D124		SML-E12V8W	LED		1	
D125		QSMR-C13SBCMN	LED		1	
D126		SML-E12V8W	LED		1	
D127		QSMR-C13SBCMN	LED		1	
D128		SML-E12V8W	LED		1	
D161		DZ2J039M	ZENER DIODE		1	
D181		QSMW-C13S	LED		1	
D182		QSMW-C13S	LED		1	
D183		QSMW-C13S	LED		1	
D185		QSMW-C13S	LED		1	
D186		QSMW-C13S	LED		1	
C131		CK73GBB1H103K	C CAPACITOR	0.01uF 50V K	1	
C132		CK73GBB1H473K	C CAPACITOR	0.047uF 50V K	1	
C141		CK73GBB1H103K	C CAPACITOR	0.01uF 50V K	1	
C142		CK73FXR1C106K	C CAPACITOR	10uF 16V K	1	
C143		CK73EXR0J476M	C CAPACITOR	47uF 6.3V M	1	
C144		CK73EXR0J476M	C CAPACITOR	47uF 6.3V M	1	
C151		CK73GBB1H104K	C CAPACITOR	0.1uF 50V K	1	
R11		RK73GB2A270J	MG RESISTOR	27Ω 1/10W J	1	
R12		RK73GB2A270J	MG RESISTOR	27Ω 1/10W J	1	

MODEL	MARK
KAC-M1824BT	

Safe	Symbol No.	Parts No.	Parts Name	Description	QTY	Local
	R101	RK73GB2A101J	MG RESISTOR	100Ω 1/10W J	1	
	R102	RK73GB2A101J	MG RESISTOR	100Ω 1/10W J	1	
	R103	RK73GB2A100J	MG RESISTOR	10Ω 1/10W J	1	
	R104	RK73GB2A100J	MG RESISTOR	10Ω 1/10W J	1	
	R105	RK73GB2A100J	MG RESISTOR	10Ω 1/10W J	1	
	R106	RK73GB2A100J	MG RESISTOR	10Ω 1/10W J	1	
	R111	RK73GB2A103J	MG RESISTOR	10kΩ 1/10W J	1	
	R112	RK73GB2A103J	MG RESISTOR	10kΩ 1/10W J	1	
	R113	RK73GB2A103J	MG RESISTOR	10kΩ 1/10W J	1	
	R114	RK73GB2A103J	MG RESISTOR	10kΩ 1/10W J	1	
	R115	RK73GB2A103J	MG RESISTOR	10kΩ 1/10W J	1	
	R116	RK73GB2A103J	MG RESISTOR	10kΩ 1/10W J	1	
	R121	RK73GB2A181J	MG RESISTOR	180Ω 1/10W J	1	
	R122	RK73GB2A151J	MG RESISTOR	150Ω 1/10W J	1	
	R123	RK73GB2A181J	MG RESISTOR	180Ω 1/10W J	1	
	R124	RK73GB2A151J	MG RESISTOR	150Ω 1/10W J	1	
	R125	RK73GB2A181J	MG RESISTOR	180Ω 1/10W J	1	
	R126	RK73GB2A151J	MG RESISTOR	150Ω 1/10W J	1	
	R127	RK73GB2A181J	MG RESISTOR	180Ω 1/10W J	1	
	R128	RK73GB2A151J	MG RESISTOR	150Ω 1/10W J	1	
	R129	RK73GB2A472J	MG RESISTOR	4.7kΩ 1/10W J	1	
	R130	RK73GB2A472J	MG RESISTOR	4.7kΩ 1/10W J	1	
	R131	RK73GB2A473J	MG RESISTOR	47kΩ 1/10W J	1	
	R141	RK73EB2E100J	MG RESISTOR	10Ω 1/4W J	1	
	R151	RK73GB2A471J	MG RESISTOR	470Ω 1/10W J	1	
	R152	RK73GB2A471J	MG RESISTOR	470Ω 1/10W J	1	
	R153	RK73GB2A103J	MG RESISTOR	10kΩ 1/10W J	1	
	R154	RK73GB2A103J	MG RESISTOR	10kΩ 1/10W J	1	
	R161	RK73GB2A101J	MG RESISTOR	100Ω 1/10W J	1	
	R171	RK73GB2A101J	MG RESISTOR	100Ω 1/10W J	1	
	R181	RK73GB2A472J	MG RESISTOR	4.7kΩ 1/10W J	1	
	R182	RK73GB2A472J	MG RESISTOR	4.7kΩ 1/10W J	1	
	R183	RK73GB2A472J	MG RESISTOR	4.7kΩ 1/10W J	1	
	R185	RK73GB2A472J	MG RESISTOR	4.7kΩ 1/10W J	1	
	R186	RK73GB2A472J	MG RESISTOR	4.7kΩ 1/10W J	1	
	A101	W0C-0091-00	RF MODULE		1	
	CN11	EC720AA-0507A	FFC FPC CONNE		1	
	CN101	E41-2653-05	PIN ASSY		1	
	S111	S7A-0002-00	TACTILE PUSH SW		1	
	S112	S7A-0002-00	TACTILE PUSH SW		1	
	S113	S7A-0002-00	TACTILE PUSH SW		1	
	S114	S7A-0002-00	TACTILE PUSH SW		1	
	S115	S7A-0002-00	TACTILE PUSH SW		1	
	S116	S7A-0002-00	TACTILE PUSH SW		1	