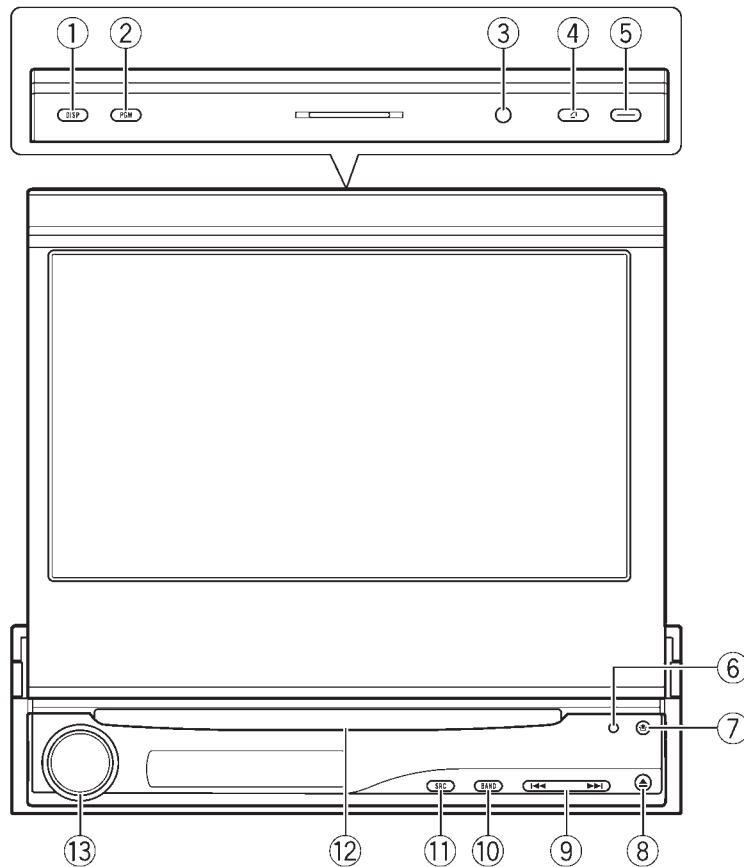


2.3 PANEL FACILITIES



What's What

Head unit

① **DISPLAY button**

Press to turn the information display on or off when the video is displayed.

Press and hold to switch between the displays on the sub-display.

- When a rear view camera video is displayed, press and hold **DISPLAY** return to the source display.

② **PGM button**

Press to operate the preprogrammed functions for each source.

③ **Ambient light sensor**

Senses ambient light. This system automatically adjusts the brightness of the display to compensate for ambient light.

④ **FLIP DOWN button**

Press to turn the LCD panel horizontal temporarily from upright position.

⑤ **OPEN/CLOSE button**

Press to open or close the LCD panel.

⑥ **RESET button**

Press to return to the factory settings (initial settings).

⑦ **DETACH button**

Press to remove the front panel from the head unit.

⑧ **EJECT button**

Press to eject a disc from this unit.

⑨ **⏮/⏭ button**

Press to do manual seek tuning, fast forward, reverse and track search controls.

⑩ **BAND/ESC button**

Press to select among three FM bands and one AM band and to cancel the control mode of functions.

⑪ **SOURCE button**

This unit is turned on by selecting a source. Press to cycle through all the available sources.

⑫ **Disc loading slot**

Insert a disc to play.

⑬ **VOLUME/ATT button**

Rotate it to increase or decrease the volume.

Press to quickly lower the volume level, by about 90%. Press once more to return to the original volume level.

Optional remote control

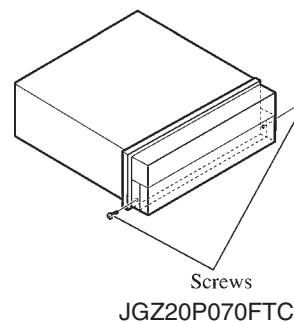
The remote control CD-R55 is sold separately.

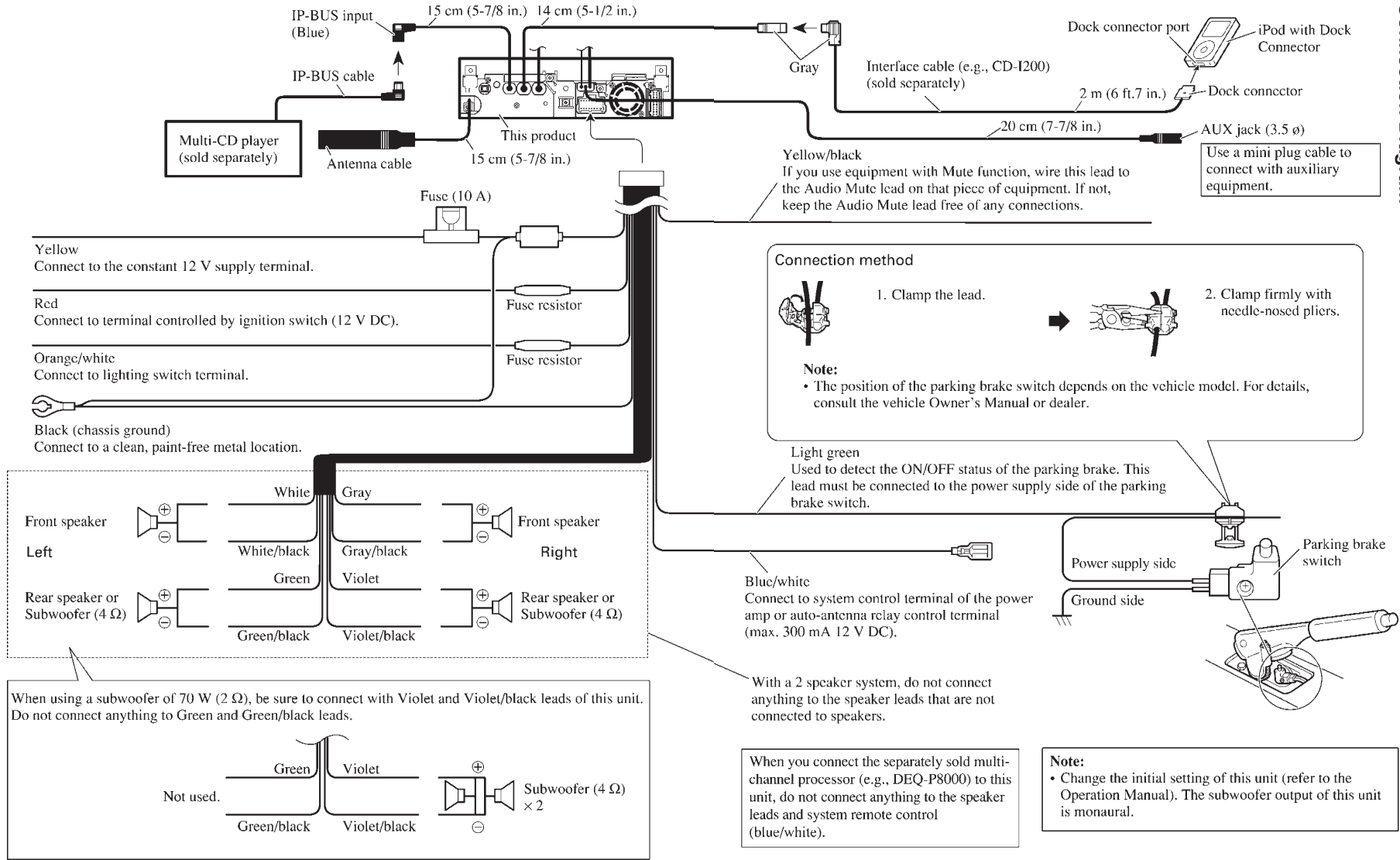
For details concerning operations, see the remote control manual. 

Fastening the front panel

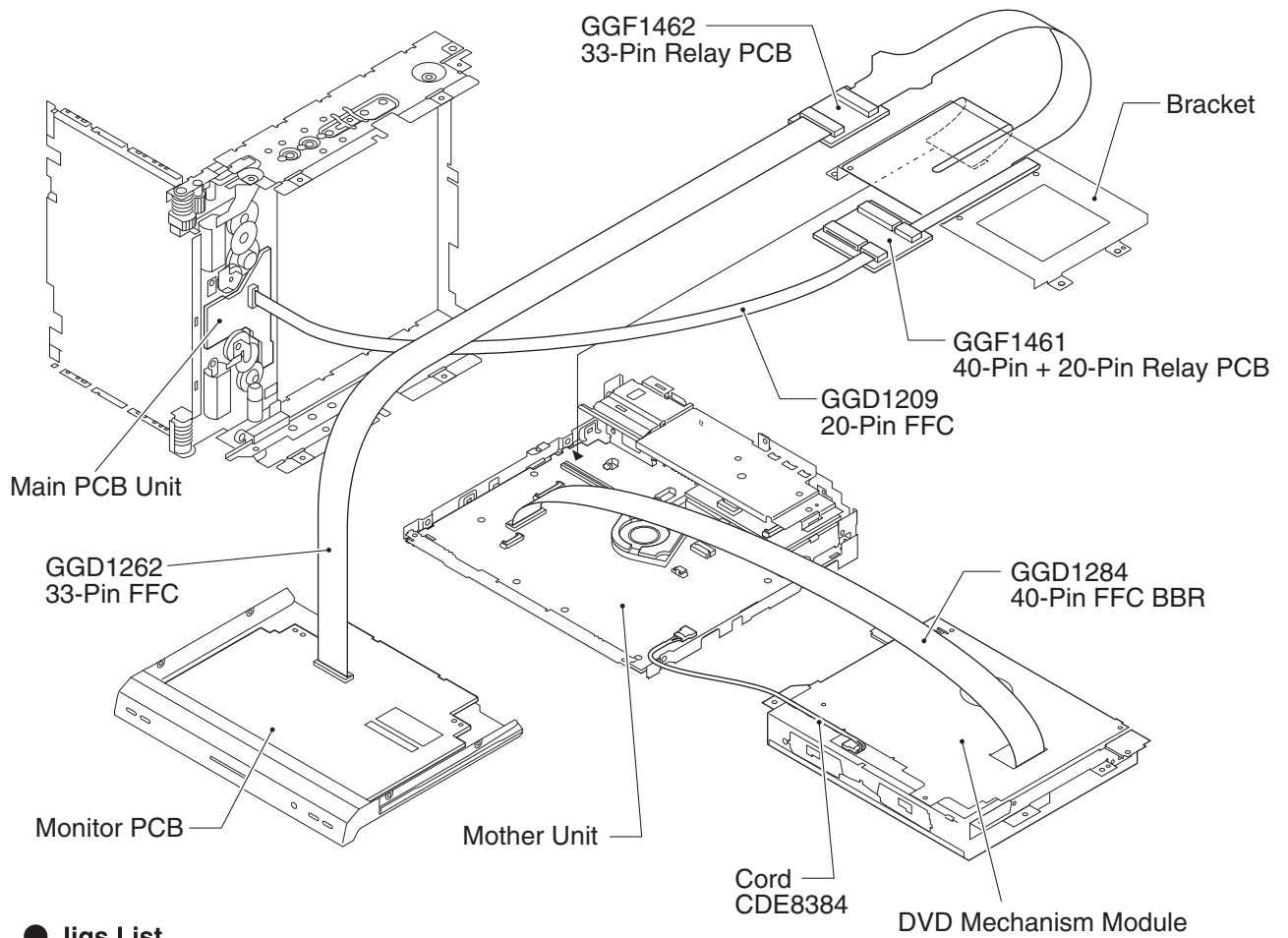
If you do not plan to detach the front panel, the front panel can be fastened with supplied screws.

- **Fix the front panel to the unit using screws after removing the trim ring.**





3.3 JIG CONNECTION DIAGRAM



● Jigs List

Name	Jig No.	Remarks
40-Pin FFC BBR	GGD1284	DVD Mechanism Module <--> DVD Amp Assy
33-Pin Relay PCB	GGF1462	DVD Amp Assy <--> Monitor Unit
33-Pin FFC	GGD1262	DVD Amp Assy <--> Monitor Unit
40-Pin + 20-Pin Relay PCB	GGF1461	DVD Amp Assy <--> Main PCB Unit
20-Pin FFC	GGD1209	DVD Amp Assy <--> Main PCB Unit
Disc	GGV1018	Skew adjustment
TORX driver(T2)	GGK1095	Skew adjustment
Bond	GEM1033	Skew adjustment

● Grease List

Name	Jig No.	Remarks
Grease	GEM1024	DVD Mechanism Module and Chassis
Grease	GEM1043	DVD Mechanism Module and Chassis
Grease	GEM1045	DVD Mechanism Module
Grease	GEM1050	DVD Mechanism Module
Locking agents	1401M	DVD Mechanism Module (1401M:produced by THREE BOND)
Grease	GEM1011	Chassis
Grease	GEM1047	Chassis
Grease	GEM1071	Chassis
Grease	GEM1072	Chassis



CLEANING

Before shipping out the product, be sure to clean the following portions by using the prescribed cleaning tools:

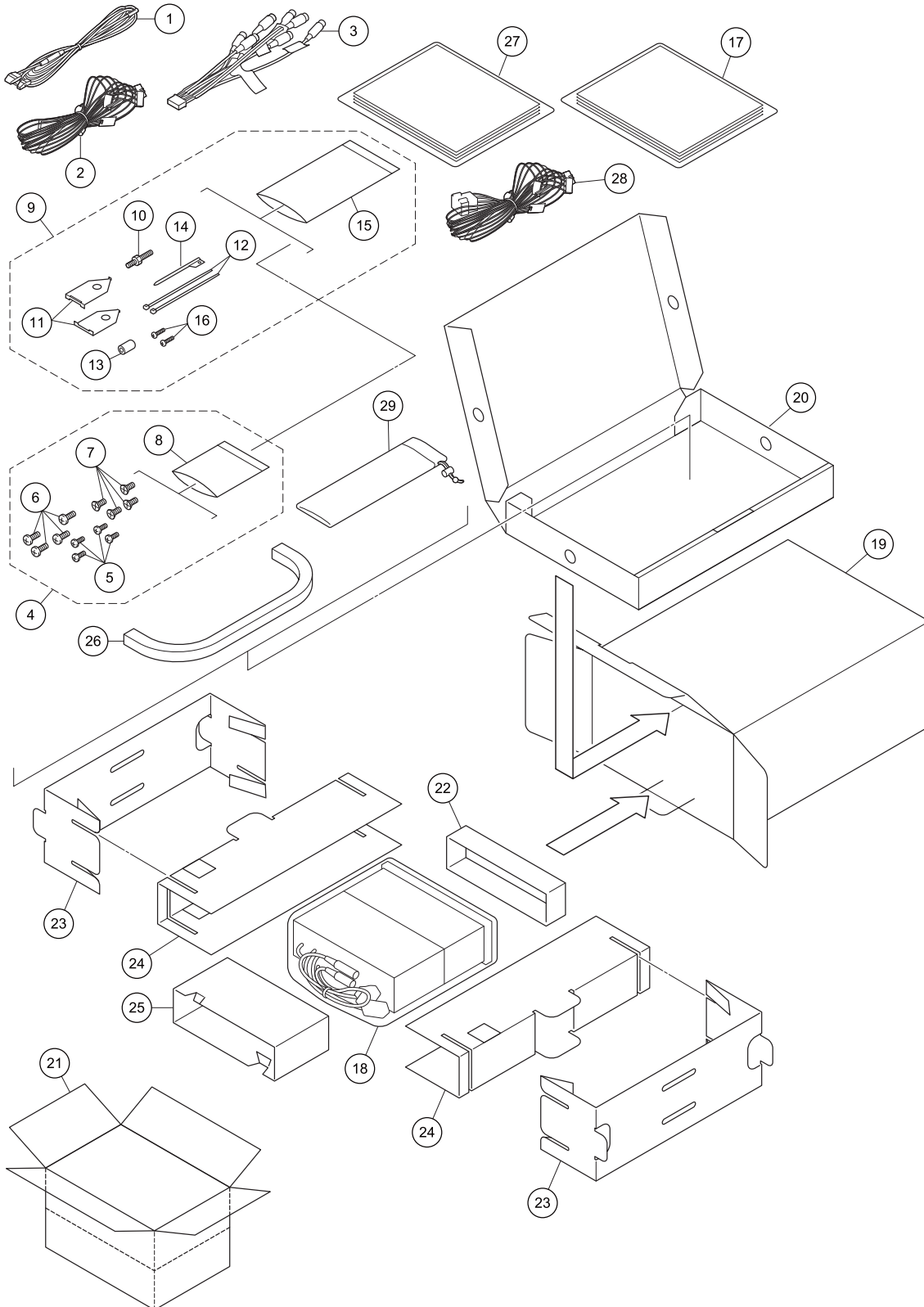
Portions to be cleaned	Cleaning tools
DVD pickup lenses	Cleaning liquid : GEM1004 Cleaning paper : GED-008

Portions to be cleaned	Cleaning tools
Fans	Cleaning paper : GED-008

9. EXPLODED VIEWS AND PARTS LIST

NOTES : • Parts marked by " * " are generally unavailable because they are not in our Master Spare Parts List.
• The ⚠ mark found on some component parts indicates the importance of the safety factor of the part. Therefore, when replacing, be sure to use parts of identical designation.
• Screw adjacent to ▽ mark on the product are used for disassembly.
• For the applying amount of lubricants or glue, follow the instructions in this manual.
(In the case of no amount instructions, apply as you think it appropriate.)

9.1 PACKING



(1)PACKING SECTION PARTS LIST

<u>Mark No.</u>	<u>Description</u>	<u>Part No.</u>	<u>Mark No.</u>	<u>Description</u>	<u>Part No.</u>
1	Cord Assy	CDE7321	17-6	Caution Card	See Contrast table(2)
2	Cord Assy	See Contrast table(2)	* 17-7	Registration Card	See Contrast table(2)
3	Cord Assy	CDP1014	17-8	Owner's Manual	See Contrast table(2)
4	Screw Assy	CEA5144	17-9	Owner's Manual	See Contrast table(2)
5	Screw	BMZ50P060FTC	17-10	Owner's Manual	See Contrast table(2)
6	Screw(M4 x 3)	CBA1870	18	Polyethylene Bag	See Contrast table(2)
7	Screw	CMZ50P060FTC	19	Unit Box	See Contrast table(2)
* 8	Polyethylene Sheet	CNM4338	20	Sub Unit Box	CHG6195
* 9	Accessory Assy	CEA7477	21	Contain Box	See Contrast table(2)
10	Screw	CBA1650	22	Protector	CHP2540
11	Bracket	CND4079	23	Protector	CHP3351
* 12	Lock Tie	CNV-754	24	Protector	CHP3352
13	Bush	CNV3930	25	Protector	CHP3353
14	Pen	CNV8969	26	Sheet	CNN1741
* 15	Polyethylene Bag	E36-615	27-1	Polyethylene Bag	See Contrast table(2)
16	Screw	JGZ20P070FTC	27-2	Owner's Manual	See Contrast table(2)
17-1	Polyethylene Bag	CEG1116	27-3	Installation Manual	See Contrast table(2)
17-2	Owner's Manual	See Contrast table(2)	27-4	Warranty Card	See Contrast table(2)
17-3	Owner's Manual	See Contrast table(2)	28	Cord Assy	See Contrast table(2)
17-4	Installation Manual	See Contrast table(2)	29	Cover	CEG1385
* 17-5	Warranty Card	See Contrast table(2)			

(2) CONTRAST TABLE

AVH-P5900DVD/XN/UC, AVH-P5900DVD/XNEW5 and AVH-P5900DVD/XN/RE are constructed the same except for the following:

<u>Mark</u>	<u>No.</u>	<u>Description</u>	<u>AVH-P5900DVD/XN/UC</u>	<u>AVH-P5900DVD/XNEW5</u>	<u>AVH-P5900DVD/XN/RE</u>
	2	Cord Assy	CDP1013	Not used	Not used
	17-2	Owner's Manual	CRB2364	CRB2355	CRB2362
	17-3	Owner's Manual	CRB2365	CRB2356	CRB2363
	17-4	Installation Manual	CRD4214	Not used	CRD4213
*	17-5	Warranty Card	CRY1246	Not used	CRY1157
	17-6	Caution Card	CRP1310	Not used	Not used
*	17-7	Registration Card	CRY1229	Not used	Not used
	17-8	Owner's Manual	Not used	CRB2357	Not used
	17-9	Owner's Manual	Not used	CRB2358	Not used
	17-10	Owner's Manual	Not used	CRB2359	Not used
	18	Polyethylene Bag	CEG1185	CEG1042	CEG1042
	19	Unit Box	CHG6189	CHG6190	CHG6193
	21	Contain Box	CHL6189	CHL6190	CHL6193
	27-1	Polyethylene Bag	Not used	CEG1116	Not used
	27-2	Owner's Manual	Not used	CRB2360	Not used
	27-3	Installation Manual	Not used	CRD4212	Not used
	27-4	Warranty Card	Not used	CRY1157	Not used
	28	Cord Assy	Not used	CDP1012	CDP1012

Owner's Manual, Installation Manual

Part No.	Language
A CRB2355, CRB2362, CRB2364	English
CRB2365, CRB2358	French
CRB2356	Spanish
CRB2357	German
CRB2359	Italian
CRB2360	Dutch
CRB2363	Russian
B CRD4214	English, French
CRD4212	English, Spanish, German, French, Italian, Dutch
CRD4213	English, Russian

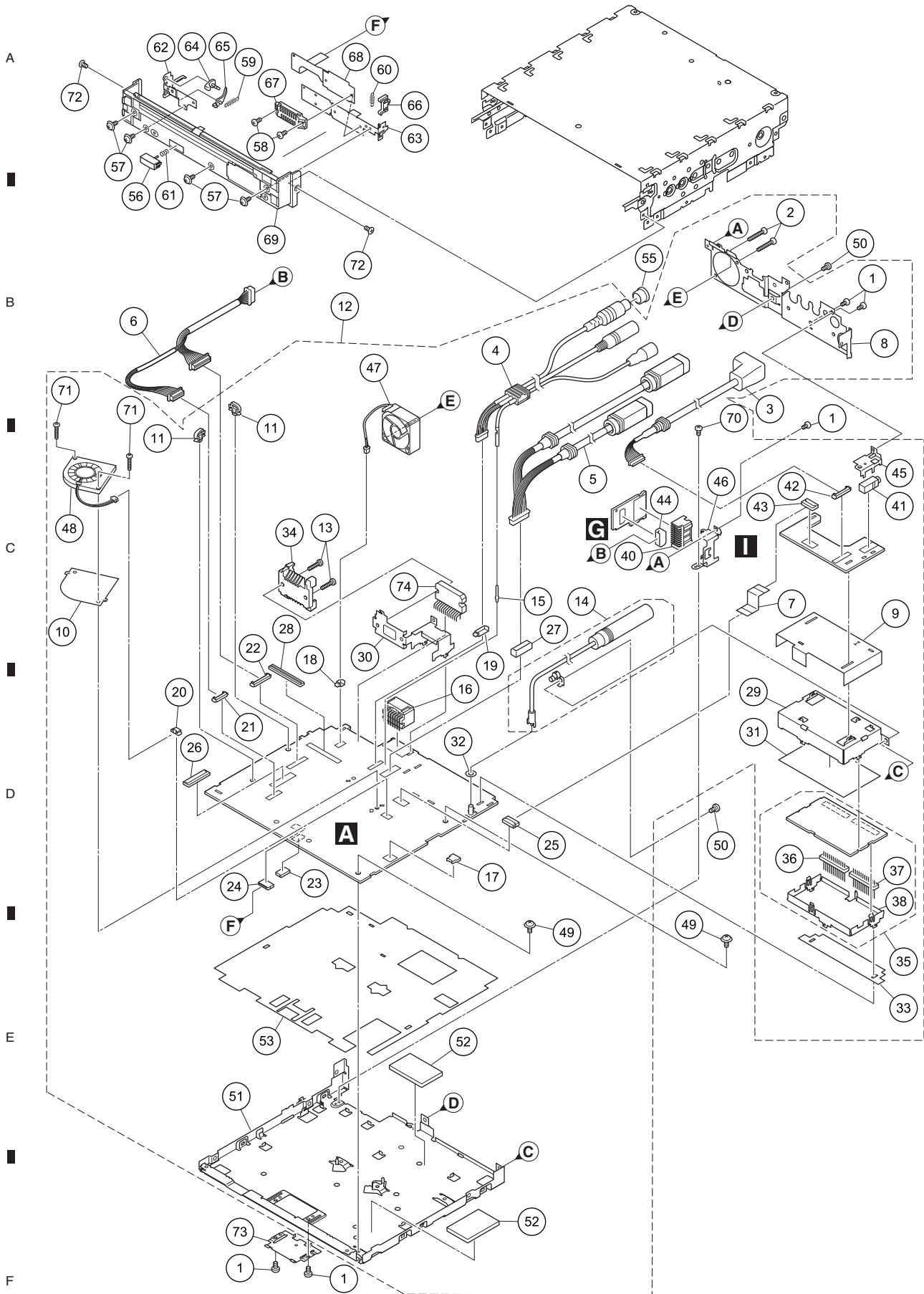
C

D

E

F

9.2 EXTERIOR(1)



(1) EXTERIOR(1) SECTION PARTS LIST

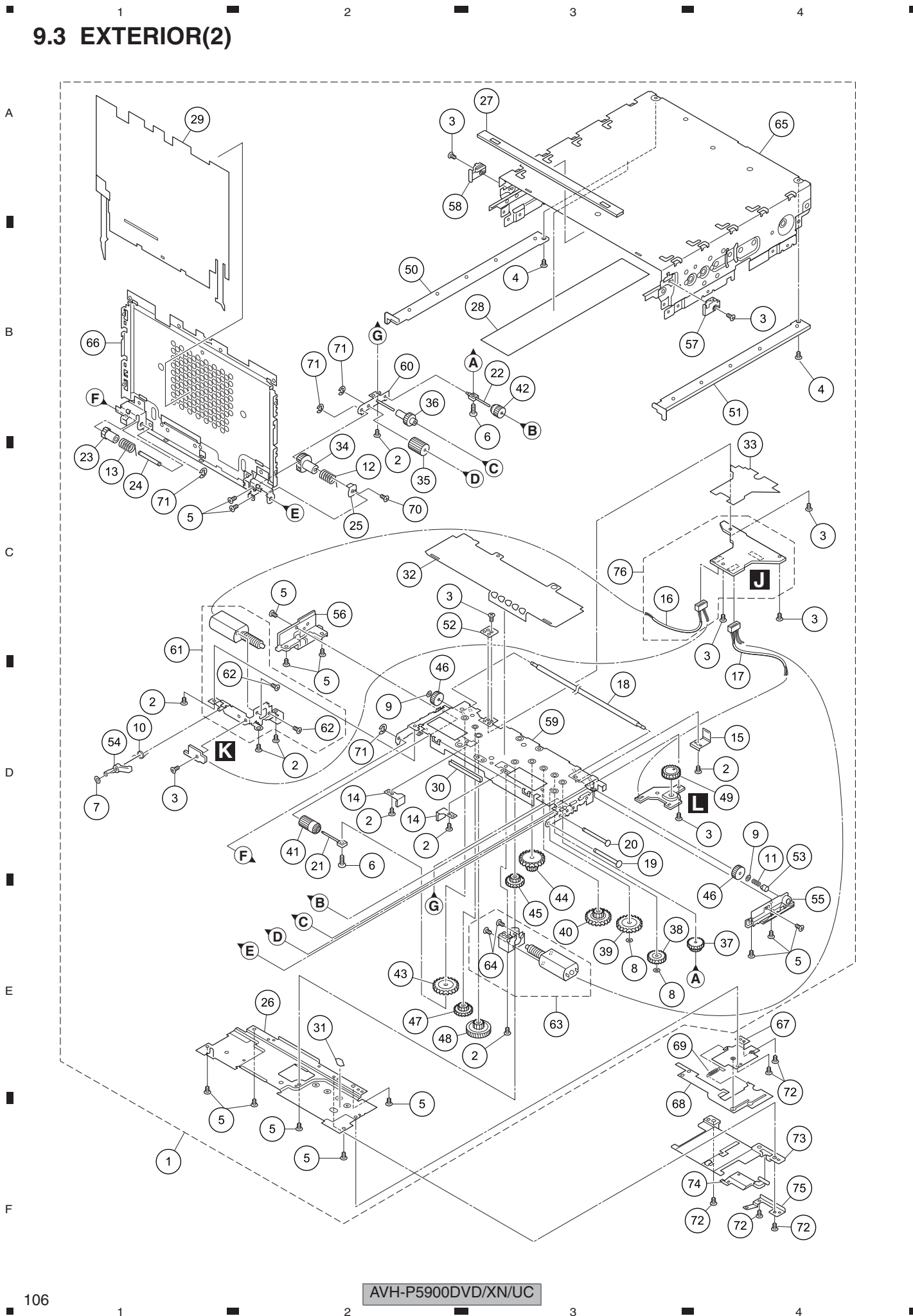
<u>Mark No.</u>	<u>Description</u>	<u>Part No.</u>	<u>Mark No.</u>	<u>Description</u>	<u>Part No.</u>
1	Screw	BMZ20P030FTB	38	Holder	CND1432
2	Screw	BMZ20P160FTC	39	•••••	
3	Cord Assy	CDE8381	40	Connector(CN4301)	CKM1506
4	Cord Assy	CDE8382			
5	Cord Assy	CDE8383	41	Jack(CN4203)	CKN1022
			42	Connector(CN4202)	CKS4985
6	Cord Assy	CDE8385	43	Connector(CN4201)	CKS5041
7	Flat Cable	CDE8386	44	Connector(CN4302)	CKS5270
8	Panel	CNB3383	45	Holder	CND3849
9	Insulator	CNN1578			
10	Insulator	CNN1737	46	Holder	CND3996
			47	Fan Motor	CXM1262
11	Clamper	CNV9670	48	Fan Motor	CXM1276
12	DVD Amp Assy	See Contrast table(2)	49	Screw	AMZ26P040FTC
13	Screw	BMZ26P120FTC	50	Screw	BMZ26P030FTC
14	Antenna Cable	CDH1362			
15	Terminal(CN762)	CKF-047	51	Case	CNB3384
			52	Sheet	CNM8228
16	Plug(CN761)	CKM1516	53	Insulator	CNN1575
17	Connector(CN462)	CKS4817	54	•••••	
18	Connector(CN951)	CKS4822	55	Cap	CNV6727
19	Connector(CN381)	CKS4827			
20	Connector(CN961)	CKS4977	56	Button	CAI1460
			57	Screw(M2 x 3)	CBA2078
21	Connector(CN391)	CKS4983	58	Screw(M2 x 3)	CBA2079
22	Connector(CN311)	CKS4987	59	Spring	CBH2681
23	Connector(CN531)	CKS5036	60	Spring	CBH2682
24	Connector(CN481)	CKS5038			
25	Connector(CN461)	CKS5041	61	Spring	CBH2683
			62	Holder	CND3852
26	Connector(CN541)	CKS5100	63	Holder	CND3853
27	Connector(CN351)	CKS5529	64	Arm	CNV8571
28	Connector(CN512)	CKS5722	65	Arm	CNV8572
29	Holder	CND3847			
30	Holder	CND3848	66	Arm	CNV8573
			67	Connector	CKS4658
31	Insulator	CNM9521	68	Flexible PCB	CNP9973
32	Spacer	CNN1909	69	Panel Unit	CXC7633
33	Spacer	CNM9523	70	Screw	JGZ20P020FTB
34	Heat Sink	CNR1906			
35	FM/AM Tuner Unit	See Contrast table(2)	71	Screw(M2 x 8)	CBA1752
			72	Screw(M2 x 3)	CBA1877
36	Connector(CN101)	CKS4653	73	Holder	CND4167
37	Connector(CN102)	CKS4653	74	IC(IC331)	PAL007C

(2) CONTRAST TABLE

AVH-P5900DVD/XN/UC, AVH-P5900DVD/XNEW5 and AVH-P5900DVD/XN/RE are constructed the same except for the following:

Mark	No.	Description	AVH-P5900DVD/XN/UC	AVH-P5900DVD/XNEW5	AVH-P5900DVD/XN/RE
	12	DVD Amp Assy	CXC7508	CXC7506	CXC7507
	35	FM/AM Tuner Unit	CWE2046	CWE2045	CWE2045

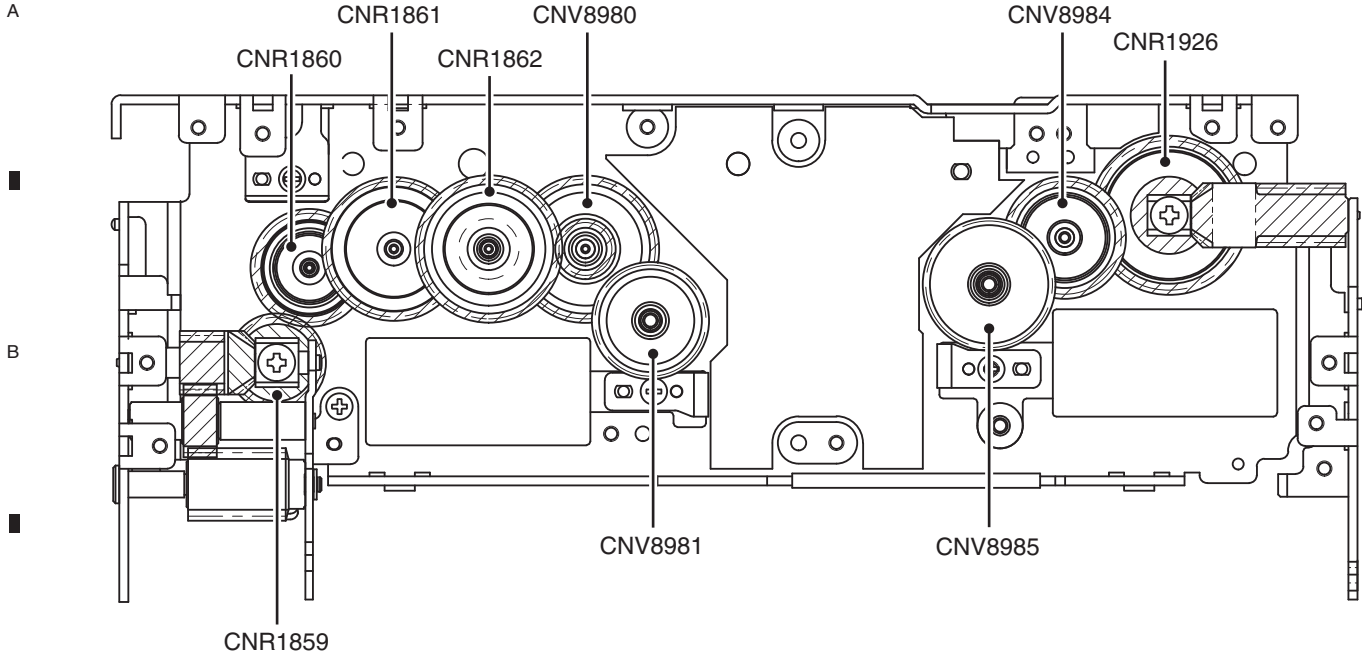
9.3 EXTERIOR(2)



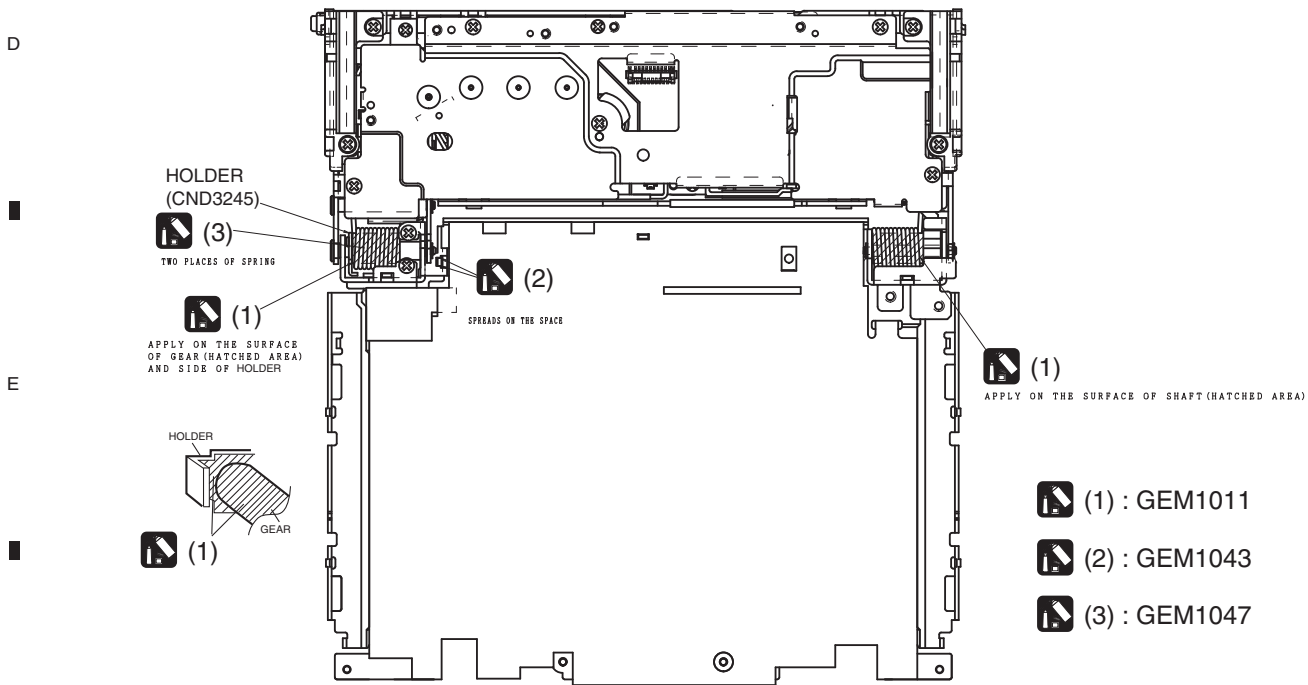
EXTERIOR(2) SECTION PARTS LIST

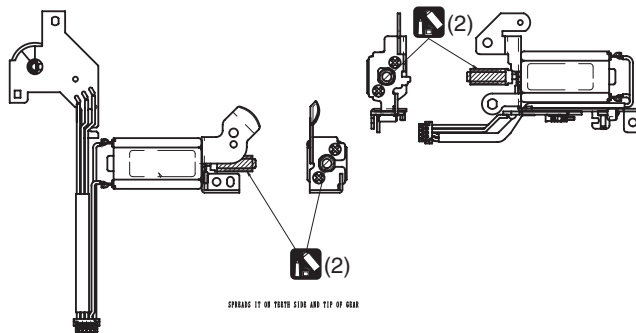
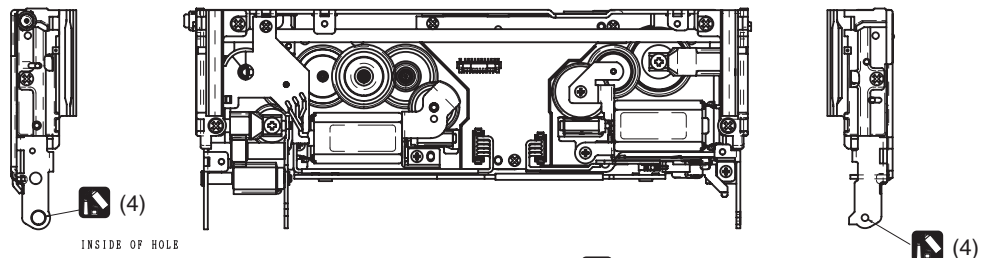
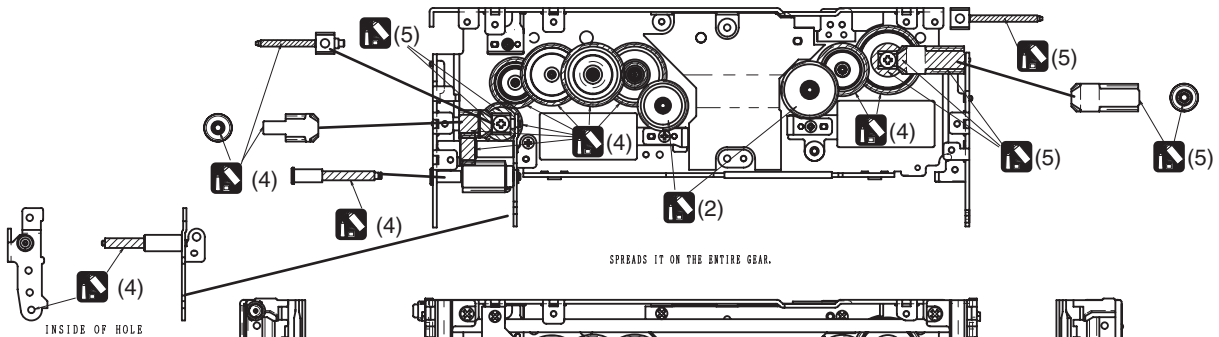
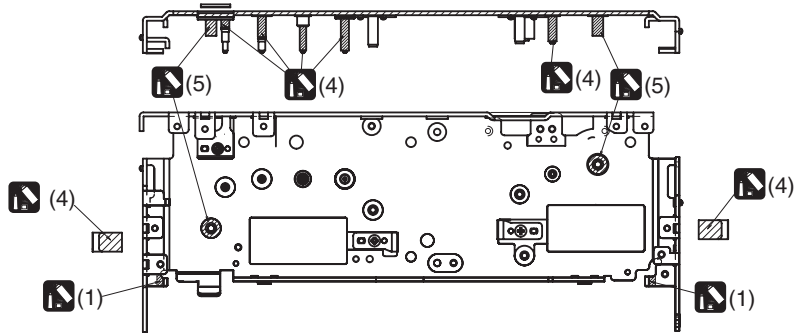
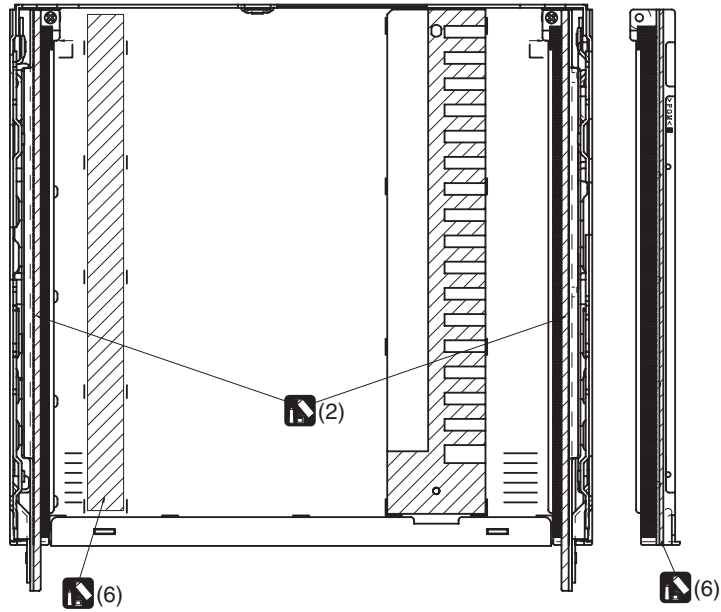
<u>Mark No.</u>	<u>Description</u>	<u>Part No.</u>	<u>Mark No.</u>	<u>Description</u>	<u>Part No.</u>	
1	Drive Unit	CXC7637	50	Rack	CNV8995	
2	Screw(M2 x 2)	CBA1608				
3	Screw(M2 x 1.5)	CBA1615	51	Rack	CNV8996	
4	Screw(M2 x 2)	CBA1872	52	Guide	CNV8999	
5	Screw(M2 x 3)	CBA1877	53	Lever	CNV9000	
			54	Arm	CNV9001	
6	Screw(M2.3 x 6)	CBA2027	*	55	Guide	CNV9534
7	Washer	CBF1037				
8	Washer	CBF1039	*	56	Guide	CNV9535
9	Washer	CBF1064	57	Guide	CNV9003	
10	Spring	CBH2906	58	Guide	CNV9004	
			59	Frame Unit	CXC6143	
11	Spring	CBH2907	60	Holder Unit	CXC6145	
12	Spring	CBH2908				
13	Spring	CBH2909	61	Motor Unit	CXC6638	
14	Spring	CBL1723	62	Screw	JGZ20P025FTC	
15	Spring	CBL1734	63	Motor Unit	CXC6639	
			64	Screw	JGZ20P025FTC	
16	Cord	CDE8127	*	65	Chassis Unit	CXC7638
17	Cord	CDE8128				
18	Shaft	CLA4651	*	66	Case Unit	CXC7640
19	Shaft	CLA4661	67	Bracket Unit	CXC7978	
20	Shaft	CLA4662	68	Lever	CND4077	
			69	Spring	CBH2750	
21	Shaft	CLA4663	70	Screw	JFZ17P025FTC	
22	Shaft	CLA4664				
23	Shaft	CLA4665	71	Washer	YE15FTC	
24	Shaft	CLA4666	72	Screw(M2 x 3)	CBA1877	
25	Holder	CND3245	73	Cover	CNV9643	
			74	Arm	CNV9644	
26	Cover	CND3252	75	Spring	CBL1766	
27	Sheet	CNN1055	76	Main PCB Unit(SERVICE)	CXX2316	
28	Sheet	CNN1056				
*	29	Insulator	CNN1583			
	30	Sheet	CNN1065			
31	Insulator	CNN1068				
*	32	Sheet	CNN1349			
	33	Insulator	CNN1058			
	34	Gear	CNR1855			
	35	Gear	CNR1856			
36	Gear	CNR1857				
37	Gear	CNR1859				
38	Gear	CNR1860				
39	Gear	CNR1861				
40	Gear	CNR1862				
41	Gear	CNR1864				
42	Gear	CNR1925				
43	Gear	CNR1926				
44	Gear	CNV8980				
45	Gear	CNV8981				
46	Gear	CNV8983				
47	Gear	CNV8984				
48	Gear	CNV8985				
49	Gear	CNV8987				

The gear assembly figure of the Drive Unit



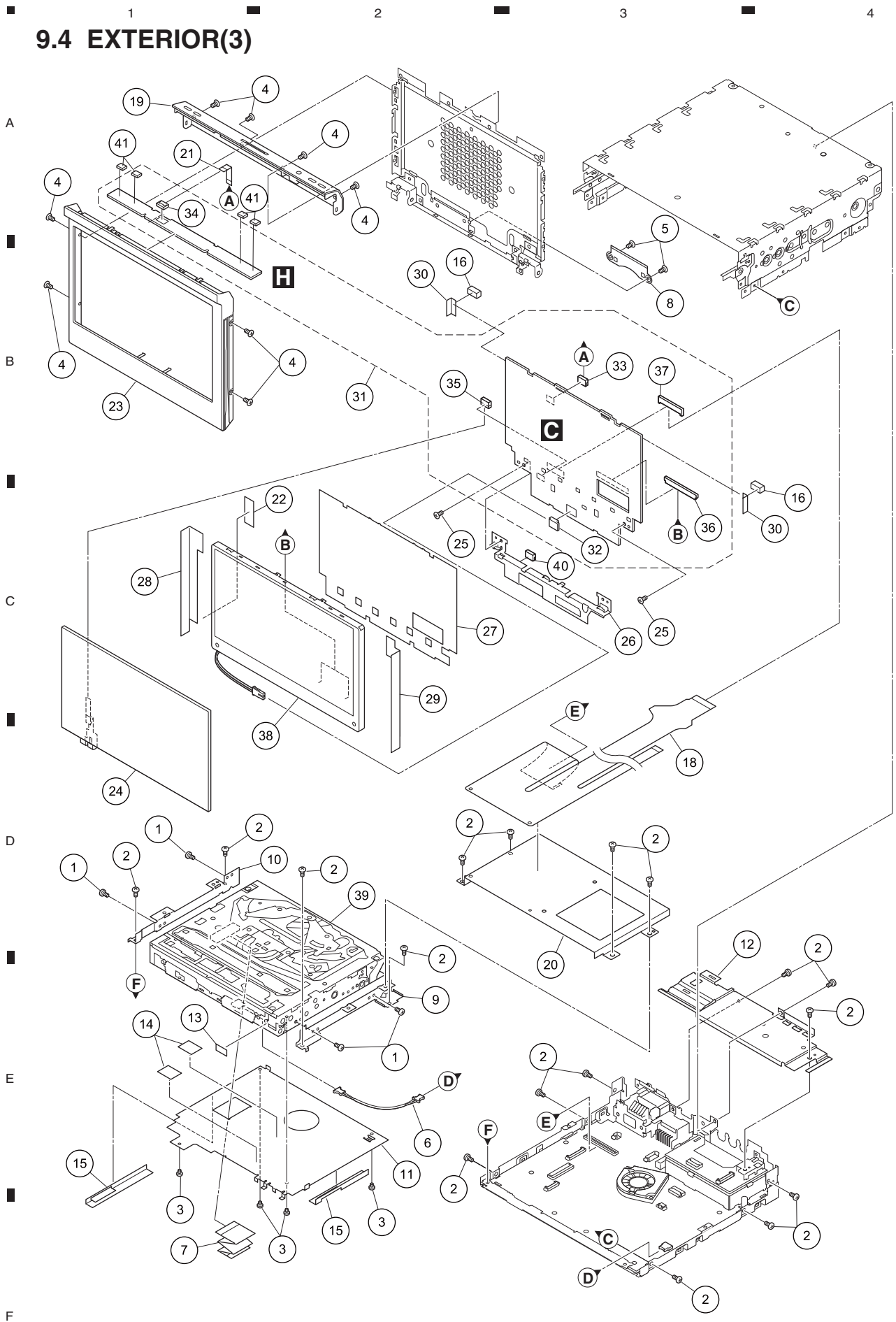
Grease





- (1) : GEM1011
- (2) : GEM1043
- (3) : GEM1047
- (4) : GEM1024
- (5) : GEM1072
- (6) : GEM1071

9.4 EXTERIOR(3)



(1) EXTERIOR(3) SECTION PARTS LIST

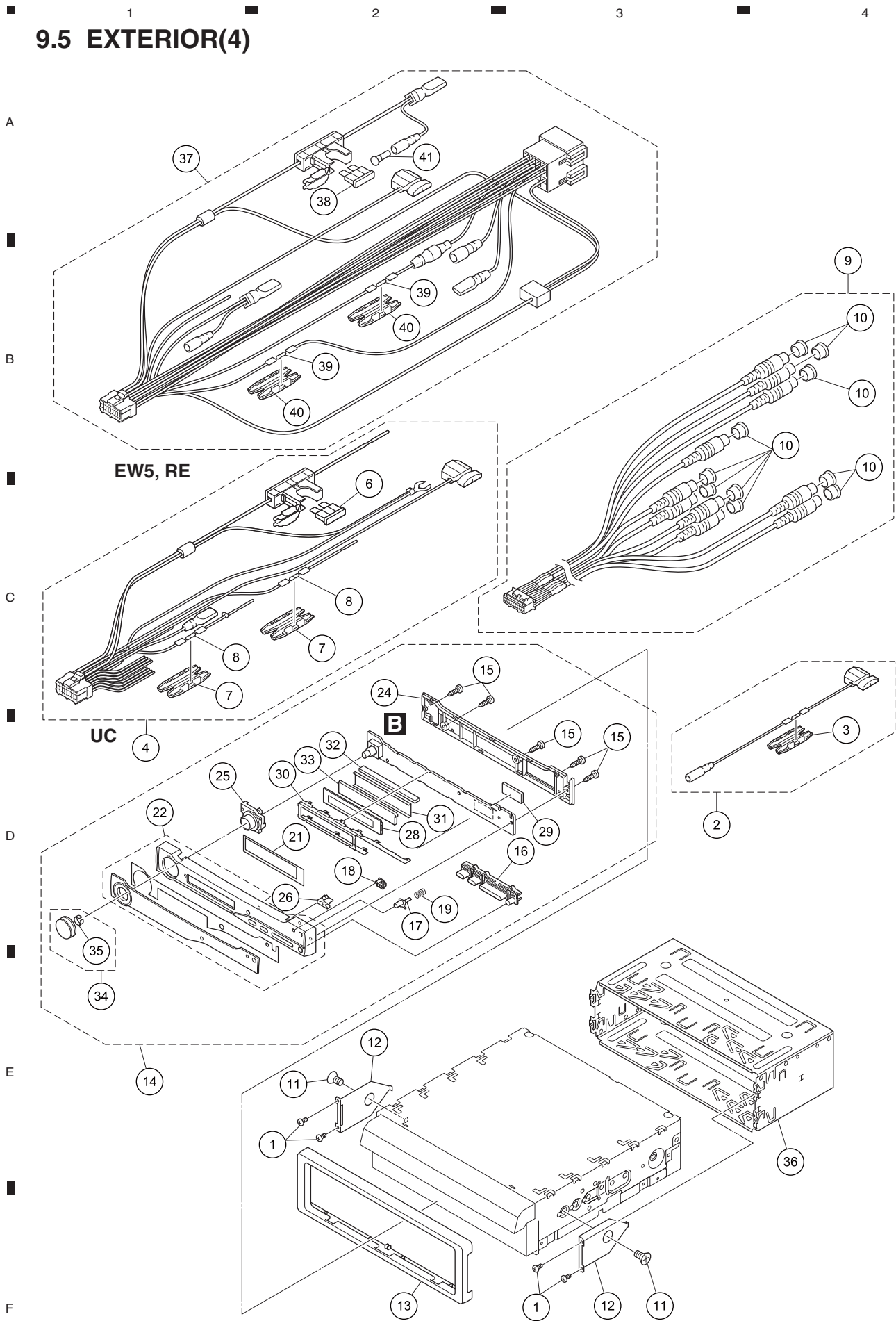
<u>Mark No.</u>	<u>Description</u>	<u>Part No.</u>	<u>Mark No.</u>	<u>Description</u>	<u>Part No.</u>
1	Screw	BMZ20P025FTC	22	Sheet	CNN1694
2	Screw	BMZ26P030FTC	23	Grille	See Contrast table(2)
3	Screw(M2 x 1.4)	CBA1593	24	Touch Panel	CSX1115
4	Screw(M2 x 2)	CBA1872	25	Screw(M2 x 2)	CBA1872
5	Screw(M2 x 1.4)	CBA2042			
			26	Holder	CND3850
6	Cord	CDE8384	27	Insulator	CNN1584
7	Flat Cable	CDE8469	28	Sheet	CNN1748
8	Holder	CND3271	29	Sheet	CNN1749
9	Bracket	CND3842	30	Sheet	CNN1750
10	Bracket	CND3843			
			31	Monitor Unit	CWN2330
11	Bracket	CND3844	32	Connector(CN5201)	CKS4428
12	Holder	CND3846	33	Connector(CN5002)	CKS5035
13	Spacer	CNN1582	34	Connector(CN5901)	CKS5035
14	Sheet	CNN1698	35	Connector(CN5001)	CKS5105
15	Insulator	CNN1739			
			36	Connector(CN5501)	CKS5111
16	Cushion	CNN1753	37	Connector(CN5003)	CKS5637
17		38	LCD Module	CWX3264
18	Flexible PCB	CNQ1085	39	DVD Mechanism Module(MS5AVCODE2)	CXK6631
19	Cover Unit	See Contrast table(2)	40	Cushion	CNN1887
20	Bracket	CND3845			
			41	Sheet	CNN2026
21	FFC	CDE8387			

(2) CONTRAST TABLE

AVH-P5900DVD/XN/UC, AVH-P5900DVD/XNEW5 and AVH-P5900DVD/XN/RE are constructed the same except for the following:

Mark	No.	Description	AVH-P5900DVD/XN/UC	AVH-P5900DVD/XNEW5	AVH-P5900DVD/XN/RE
	19	Cover Unit	CXC7711	CXC7634	CXC7634
	23	Grille	CNS8974	CNS8957	CNS8957

9.5 EXTERIOR(4)



(1) EXTERIOR(4) SECTION PARTS LIST

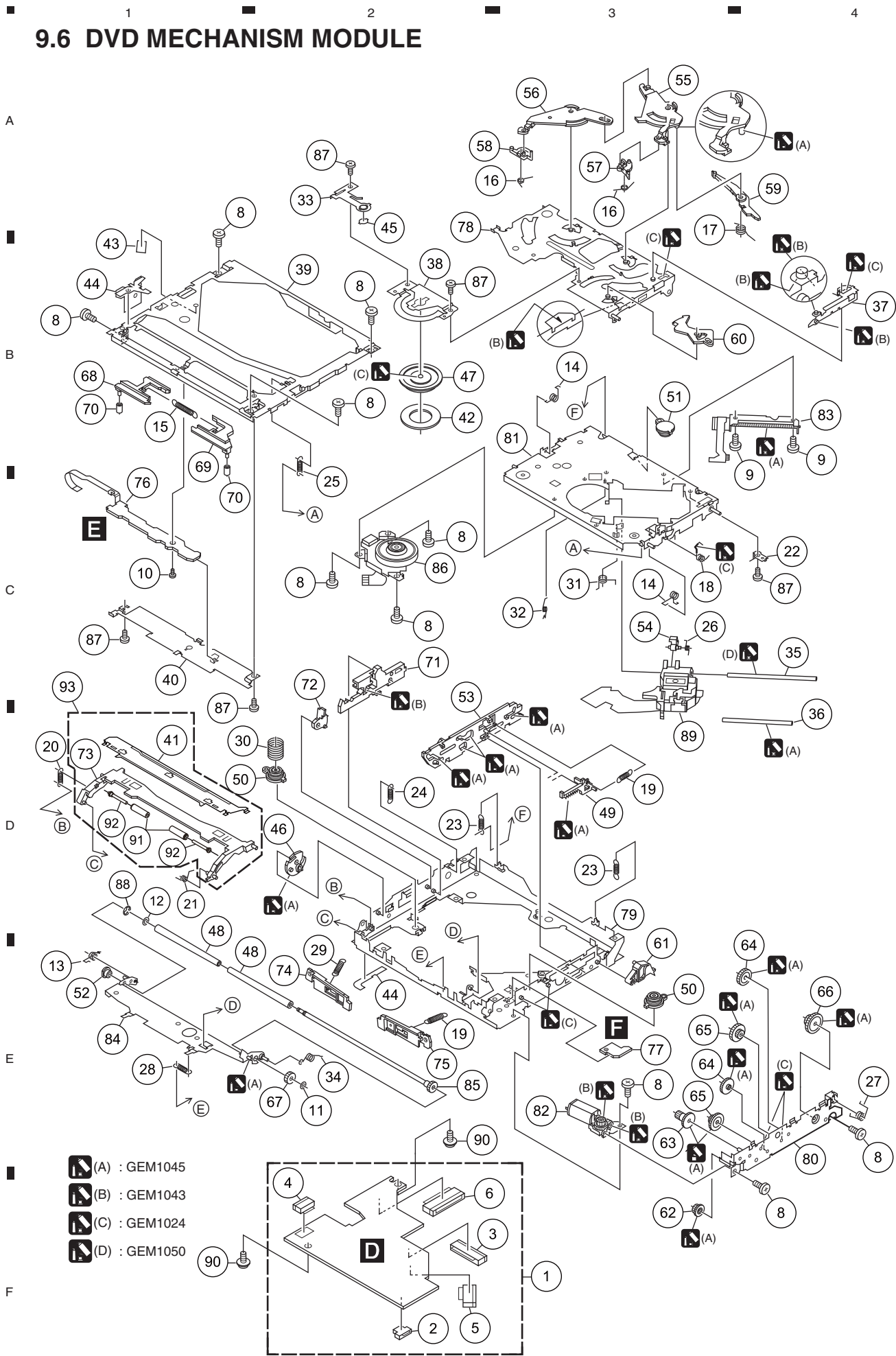
<u>Mark No.</u>	<u>Description</u>	<u>Part No.</u>	<u>Mark No.</u>	<u>Description</u>	<u>Part No.</u>
1	Screw	BMZ20P030FTB	22	Grille Assy	See Contrast table(2)
2	Cord Assy	CDE7321	23	*****	
3	Cap	CNS1472	24	Cover	CNS8964
4	Cord Assy	See Contrast table(2)	25	Lighting Conductor	CNV9504
5	*****				
⚠ 6	Fuse(10 A)	See Contrast table(2)	26	Lighting Conductor	CNV9506
7	Cap	See Contrast table(2)	27	*****	
8	Resistor	See Contrast table(2)	28	LCD	CAW1946
9	Cord Assy	CDP1014	29	Connector(CN4001)	CKS4657
10	Cap	CNV6727	30	Holder	CND3851
			31	Sheet	CNN1580
11	Screw	CMZ50P060FTC	32	Connector	CNV9502
12	Bracket	CND3855	33	Lighting Conductor	CNV9503
13	Panel	CNS8978	34	Knob Unit	CXC7631
14	Grille Assy	See Contrast table(2)	35	Spring	CBL1761
15	Screw	BPZ20P080FTB			
			36	Holder	CND3854
16	Button(BAND, SEEK)	CAI1175	37	Cord Assy	See Contrast table(2)
17	Button(DETACH)	CAI1176	⚠ 38	Fuse(10 A)	See Contrast table(2)
18	Button(RESET)	CAI1177	39	Resistor	See Contrast table(2)
19	Spring	CBH2680	40	Cap	See Contrast table(2)
20	*****				
			41	Cap	See Contrast table(2)
21	Sheet	CNN1587			

(2) CONTRAST TABLE

AVH-P5900DVD/XN/UC, AVH-P5900DVD/XNEW5 and AVH-P5900DVD/XN/RE are constructed the same except for the following:

<u>Mark</u>	<u>No.</u>	<u>Description</u>	<u>AVH-P5900DVD/XN/UC</u>	<u>AVH-P5900DVD/XNEW5</u>	<u>AVH-P5900DVD/XN/RE</u>
⚠	4	Cord Assy	CDP1013	Not used	Not used
	6	Fuse(10 A)	CEK1136	Not used	Not used
	7	Cap	CNS1472	Not used	Not used
	8	Resistor	RS1/2PMF102J	Not used	Not used
	14	Grille Assy	CXC7519	CXC7518	CXC7518
	22	Grille Assy	CXC8813	CXC8812	CXC8812
	37	Cord Assy	Not used	CDP1012	CDP1012
⚠	38	Fuse(10 A)	Not used	CEK1136	CEK1136
	39	Resistor	Not used	RS1/2PMF102J	RS1/2PMF102J
	40	Cap	Not used	CNS1472	CNS1472
	41	Cap	Not used	CKX-003	CKX-003

9.6 DVD MECHANISM MODULE



- (A) : GEM1045
- (B) : GEM1043
- (C) : GEM1024
- (D) : GEM1050

AVH-P5900DVD/XN/UC

DVD MECHANISM MODULE SECTION PARTS LIST

<u>Mark No.</u>	<u>Description</u>	<u>Part No.</u>	<u>Mark No.</u>	<u>Description</u>	<u>Part No.</u>
1	DVD Core Unit	YWX5005	50	Damper	CNV9061
2	Connector(CN1852)	CKS4817			
3	Connector(CN1101)	CKS4841	51	Damper	CNV9062
4	Connector(CN1301)	CKS5017	52	Collar	CNV8845
5	Connector(CN1201)	CKS5043	53	Lever	CNV8865
			54	Rack	CNV9063
6	Connector(CN1901)	CKS5054	55	Arm	CNV8867
7				
8	Screw	BMZ20P020FTC	56	Arm	CNV8868
9	Screw	BMZ20P025FNI	57	Arm	CNV9577
10	Screw	CBA1787	58	Arm	CNV8870
			59	Arm	CNV8871
11	Washer	CBF1038	60	Arm	CNV8872
12	Washer	CBF1064			
13	Spring	CBH2586	61	Arm	CNV8873
14	Spring	CBH2588	62	Gear	CNV8874
15	Spring	CBH2589	63	Gear	CNV8875
			64	Gear	CNV8876
16	Spring	CBH2590	65	Gear	CNV8877
17	Spring	CBH2591			
18	Spring	CBH2592	66	Gear	CNV8878
19	Spring	CBH2593	67	Gear	CNV8879
20	Spring	CBH2596	68	Lever	CNV8903
			69	Lever	CNV8904
21	Spring	CBH2597	70	Roller	CNV8905
22	Spring	CBL1726			
23	Spring	CBH2599	71	Lever	CNV8908
24	Spring	CBH2600	72	Arm	CNV8909
25	Spring	CBH2601	73	Guide	CNV9569
			74	Arm	CNV9116
26	Spring	CBH2926	75	Arm	CNV9117
27	Spring	CBH2604			
28	Spring	CBH2605	76	Compound Unit(A)	CWX3154
29	Spring	CBH2710	77	Compound Unit(B)	CWX3394
30	Spring	CBH2711	78	Arm Unit	CXC7872
			79	Frame Unit	CXC6442
31	Spring	CBH2935	80	Bracket Unit	CXB8685
32	Spring	CBH2890			
33	Spring	CBL1689	81	Chassis Unit	CXC6443
34	Spring	CBH2898	82	Motor Unit(LOAD)(M1)	CXC4912
35	Shaft	CLA4206	83	Motor(STEPPING)(M2)	CXM1364
			84	Arm Unit	CXC5486
36	Shaft	CLA4701	85	Roller Unit	CXC5708
37	Lever	CNC9933			
38	Holder	CND2643	86	Motor(SPDL)(M3)	CXM1362
39	Frame	CND2250	87	Screw	JFZ20P018FTC
40	Holder	CND2251	88	Washer	YE20FTC
			89	Pickup Unit(Service)	CXX2118
41	Holder	CND3936	90	Screw	IMS20P030FTC
42	Sheet	CNM6883			
43	Sheet	CNM8697	91	Collar	CNV9570
44	Sheet	CNM9658	92	Shaft	CLA4771
45	Sheet	CNM9407	93	Guide Unit	CXC8572
46	Cam	CNV7156			
47	Clamper	CNV7158			
48	Roller	CNV7165			
49	Rack	CNV7175			

12. ELECTRICAL PARTS LIST

NOTE:

- Parts whose parts numbers are omitted are subject to being not supplied.
- The part numbers shown below indicate chip components.

Chip Resistor

RS1/OSOOOJ,RS1/OOSOOOJ

Chip Capacitor (except for CQS.....)

CKS....., CCS....., CSZS.....

- The \triangle mark found on some component parts indicates the importance of the safety factor of the part. Therefore, when replacing, be sure to use parts of identical designation.
- Meaning of the figures and others in the parentheses in the parts list.

Example) IC 301 is on the point (face A, 91 of x-axis, and 111 of y-axis) of the corresponding PC board.

IC 301 (A, 91, 111) IC NJM2068V

<u>Circuit Symbol and No.</u>	<u>Part No.</u>	<u>Circuit Symbol and No.</u>	<u>Part No.</u>
Unit Number : (UC,EW5,RE)		IC 161 (B,28,36) IC	NJM2136V
Unit Name : Mother Unit		IC 181 (B,32,45) IC	NJM2136V
Unit Number :		IC 191 (B,26,54) IC	NJM2136V
Unit Name : Keyboard Unit		IC 192 (B,29,61) IC	SM5304AV
Unit Number : CWN2330		IC 221 (A,84,21) IC	NJM2233BM
Unit Name : Monitor Unit		IC 231 (B,87,40) IC	NJM2136V
Unit Number : YWX5005		IC 241 (B,61,40) IC	AN15883A
Unit Name : DVD Core Unit		IC 251 (A,74,51) IC	NJM2136V
Unit Number : CWX3154		IC 252 (B,66,55) IC	BA7623F
Unit Name : Compound Unit(A)		IC 281 (B,51,78) IC	PML017A
Unit Number : CWX3394		IC 331 (A,36,132) IC	PAL007C
Unit Name : Compound Unit(B)		IC 351 (A,109,69) IC	TC7WH08FUS
Unit Number :		IC 401 (B,104,138) IC	NJM2794RB2
Unit Name : OPT/RCA Unit		IC 461 (A,124,90) IC	HA12241FP
Unit Number : CXX2316		IC 601 (B,119,47) IC(UC)	PE5597A
Unit Name : Main PCB Unit(SERVICE)		(B,119,47) IC(RE,EW5)	PE5598A
Unit Number : CZW5029		IC 731 (A,94,24) IC	S-80827CNNB-B8M
Unit Name : Switch PCB Unit		IC 732 (A,98,31) L-MOS And Gate	TC7SET08FUS1
Unit Number : CZW5028		IC 801 (B,154,24) IC	BA00DD0WHFP
Unit Name : Volume PCB Unit		IC 811 (B,125,129) IC	NJM2391DL1-33
Unit Number : CXX2316		IC 812 (B,112,126) IC	BA00DD0WHFP
Unit Name : Main PCB Unit(SERVICE)		IC 821 (B,152,49) IC	BA00DD0WHFP
Unit Number : CZW5029		IC 831 (B,145,36) IC	S-812C56AUA-C3K
Unit Name : Switch PCB Unit		IC 832 (A,145,35) IC	LT3461AES6
Unit Number : CZW5028		IC 841 (B,136,88) IC	S-812C33AUA-C2N
Unit Name : Volume PCB Unit		IC 851 (B,142,54) IC	S-812C50AUA-C3E
Unit Number : CZW5029		IC 852 (B,140,69) Regulator	BA00CC0WFP
Unit Name : Switch PCB Unit		IC 861 (B,134,20) IC	BA00DD0WHFP
Unit Number : CZW5028		IC 971 (B,21,16) IC	AN8011S
Unit Name : Volume PCB Unit		Q 111 (A,89,32) Transistor	2SC4081
Unit Number : (UC,EW5,RE)		Q 141 (B,77,34) Transistor	2SC4081
Unit Name : Mother Unit		Q 161 (B,22,38) Transistor	2SC4081
Unit Number : (UC,EW5,RE)		Q 181 (B,25,45) Transistor	2SC4081
Unit Name : Mother Unit		Q 191 (B,20,55) Transistor	2SC4081
Unit Number : (UC,EW5,RE)		Q 231 (B,87,34) Transistor	2SC4081
Unit Name : Mother Unit		Q 251 (A,67,42) Transistor	2SC4081
Unit Number : (UC,EW5,RE)		Q 271 (A,67,37) Transistor	2SC4081
Unit Name : Mother Unit		Q 272 (A,70,37) Chip Transistor	2SA1576A
Unit Number : (UC,EW5,RE)		Q 311 (A,32,85) Transistor	IMH23
Unit Name : Mother Unit		Q 312 (A,32,74) Transistor	IMH23
Unit Number : (UC,EW5,RE)		Q 313 (A,32,80) Transistor	IMH23
Unit Name : Mother Unit			

MISCELLANEOUS

IC 101 (B,62,15) IC	NJM2794RB2
IC 111 (A,87,38) IC	NJM2136V
IC 131 (B,53,15) IC	NJM2794RB2
IC 141 (B,78,40) IC	NJM2136V
IC 151 (A,51,19) IC	NJM2794RB2

	1		2		3		4	
	<u>Circuit Symbol and No.</u>		<u>Part No.</u>		<u>Circuit Symbol and No.</u>		<u>Part No.</u>	
A	Q 331	(B,54,101)	Transistor	IMD3A	Q 961	(B,154,85)	Transistor	2SD1760F5
	Q 351	(B,81,102)	Chip Transistor	DTC124EUA	Q 962	(A,149,83)	Digital Transistor	DTC114EUA
	Q 352	(B,84,101)	Chip Transistor	DTC124EUA	Q 963	(A,157,87)	Transistor	UMF5N
	Q 353	(B,92,100)	Chip Digital Transistor	DTA124EUA	Q 972	(A,28,24)	Transistor	2SJ529S
	Q 354	(B,92,106)	Chip Digital Transistor	DTA124EUA	Q 973	(A,22,7)	Transistor	2SJ529S
B	Q 355	(B,88,100)	Digital Transistor	DTC144EUA	Q 974	(B,21,26)	Transistor	2SC4097
	Q 356	(B,83,62)	Transistor	IMD2A	Q 975	(B,19,7)	Transistor	2SC4097
	Q 357	(B,83,118)	Transistor	IMH23	Q 976	(B,28,13)	Chip Transistor	DTC124EUA
	Q 401	(B,118,109)	Transistor(RE,EW5)	UMH1N	D 131	(B,76,115)	Diode	MALS068X
	Q 402	(B,124,109)	Transistor(RE,EW5)	UMH1N	D 132	(B,78,118)	Diode	MALS068X
C	Q 461	(A,135,94)	Transistor	UMF23N	D 151	(B,49,31)	Diode	MALS068X
	Q 501	(A,110,11)	Chip Transistor	DTA114EUA	D 152	(B,51,33)	Diode	MALS068X
	Q 502	(A,108,17)	Digital Transistor	DTC144EUA	D 161	(B,40,34)	Diode	MALS068X
	Q 503	(A,116,19)	Transistor	2SC4081	D 181	(B,44,38)	Diode	MALS068X
	Q 521	(A,124,20)	Transistor	IMD3A	D 311	(A,36,85)	Diode	DAP202K
D	Q 522	(A,127,20)	Transistor	IMD3A	D 312	(A,36,74)	Diode	DAP202K
	Q 523	(A,131,20)	Transistor	IMD3A	D 313	(A,36,80)	Diode	DAP202K
	Q 541	(B,55,60)	Transistor	UMD3N	D 331	(A,52,124)	Diode	S1G-6904G2P
	Q 542	(B,51,54)	Transistor	IMH23	D 332	(B,66,153)	Diode	S1G-6904G2P
	Q 731	(A,101,24)	Transistor	2SC4081	D 351	(B,90,117)	Diode	MALS068X
E	Q 741	(B,25,113)	Transistor	IMD2A	D 352	(B,86,115)	Diode	MALS068X
	Q 742	(B,51,112)	Chip Transistor	DTC124EUA	D 353	(B,88,117)	Diode	MALS068X
	Q 743	(B,47,114)	Transistor	2SC4081	D 354	(B,88,120)	Diode	MALS068X
	Q 744	(B,48,118)	Digital Transistor	DTC144EUA	D 355	(B,83,130)	Diode	MALS068X
	Q 761	(B,70,105)	Chip Transistor	2SA1576A	D 356	(B,79,115)	Diode	MALS068X
F	Q 762	(B,54,109)	Chip Transistor	DTC114EUA	D 357	(B,78,121)	Diode	MALS068X
	Q 763	(B,64,104)	Chip Transistor	2SA1576A	D 358	(B,82,122)	Diode	MALS068X
	Q 765	(B,60,109)	Transistor	UMX1N	D 359	(B,81,130)	Diode	MALS068X
	Q 766	(B,77,103)	Transistor	2SC4081	D 381	(B,78,119)	Diode	MALS068X
	Q 781	(A,117,12)	Transistor	2SA1577	D 481	(B,108,27)	Diode	UMZ6R8EN
G	Q 782	(A,120,7)	Digital Transistor	DTC144EUA	D 482	(A,95,11)	Diode	UDZS5R6(B)
	Q 783	(A,125,12)	Transistor	2SA1577	D 483	(B,80,27)	Diode Network	DA204U
	Q 784	(A,127,7)	Digital Transistor	DTC144EUA	D 484	(B,111,20)	Diode	UMZ6R8EN
	Q 801	(B,143,23)	Transistor	2SD1767	D 485	(B,105,27)	Diode Network	DA204U
	Q 802	(A,144,46)	Transistor	IMD3A	D 501	(A,113,16)	Diode	1SS355
H	Q 803	(A,150,46)	Transistor	IMD3A	D 541	(B,54,57)	Diode	DAP202U
	Q 804	(A,155,46)	Transistor	IMD3A	D 731	(A,94,29)	Diode	1SS355
	Q 831	(B,157,36)	Transistor	2SD1767	D 741	(A,61,115)	Diode	RSX201L-30
	Q 832	(A,157,35)	Transistor	UMD3N	D 742	(B,50,109)	Diode	DAN202U
	Q 841	(B,142,85)	Transistor	2SB1184F5	D 743	(B,47,109)	Diode	DAN202U
I	Q 842	(B,156,76)	Transistor	2SD1767	D 744	(B,44,109)	Diode	1SS355
	Q 851	(B,154,61)	Transistor	2SB1184F5	D 745	(B,43,116)	Diode	UDZS8R2(B)
	Q 853	(A,139,74)	Transistor	UMF23N	D 761	(B,70,109)	Diode	DAN202U
	Q 871	(B,155,95)	Transistor	2SA2060	D 762	(B,64,108)	Diode	DAN202U
	Q 872	(A,159,92)	Transistor	2SC4081	D 764	(B,55,116)	Diode	1SS355
J	Q 873	(B,161,95)	Chip Transistor	2SA1576A	D 765	(B,57,116)	Diode	HZU7L(C3)
	Q 874	(A,155,94)	Chip Transistor	DTC114EUA	D 766	(B,60,115)	Diode	HZU7L(A1)
	Q 875	(A,160,98)	Transistor	2SA2060	D 767	(A,85,144)	Diode	5KP24A
	Q 891	(B,139,8)	Chip Transistor	DTC114EUA	D 768	(B,77,108)	Diode	UDZS6R8(B)
	Q 892	(B,148,8)	Transistor	2SB1189	D 801	(B,142,28)	Diode	UDZS5R6(B)
K	Q 901	(B,15,85)	Chip Transistor	DTC114EUA	D 811	(B,115,134)	Diode	1SR154-400
	Q 902	(B,11,102)	Transistor	2SA1615-ZS1	D 812	(B,109,137)	Diode	1SR154-400
	Q 911	(A,139,86)	Transistor	UMF23N	D 813	(B,109,134)	Diode	1SR154-400
	Q 921	(A,130,68)	Transistor	UMF23N	D 814	(B,102,120)	Diode	1SR154-400
	Q 931	(A,130,63)	Transistor	UMF23N	D 831	(A,156,31)	Diode	HZU5R6(B2)
L	Q 941	(A,139,80)	Transistor	UMF23N	D 841	(B,149,75)	Diode	1SR154-400
	Q 951	(B,15,121)	Transistor	2SD1760F5	D 842	(B,155,72)	Diode	UDZS18(B)
	Q 952	(B,25,105)	Digital Transistor	DTC114EUA	D 873	(A,155,97)	Diode	UDZS16(B)
	Q 953	(B,25,107)	Digital Transistor	DTC114EUA	D 874	(B,139,98)	Diode	MALS068X
	Q 954	(B,20,115)	Transistor	UMF5N	D 891	(A,153,10)	Diode	RSX201L-30

5		6		7		8	
<u>Circuit Symbol and No.</u>		<u>Part No.</u>		<u>Circuit Symbol and No.</u>		<u>Part No.</u>	
D 951	(B,20,106) Diode	HZU9R1(B2)		△FU522	(A,19,91) Fuse 200 mA	CEK1247	
D 952	(B,20,108) Diode	HZU6R8(B3)		△FU523	(A,16,91) Fuse 200 mA	CEK1247	
D 953	(B,20,110) Diode	HZU8R2(B2)		△FU761	(B,68,146) Fuse 3.15 A	CEK1259	
D 961	(A,154,83) Diode	HZU7R5(B2)		△FU891	(B,147,12) Fuse 1.25 A	CEK1255	
D 962	(A,152,83) Diode	HZU6R8(B3)		△FU901	(B,8,92) Fuse 1.25 A	CEK1255	
D 972	(A,33,17) Diode	RSX201L-30		△FU951	(B,13,113) Fuse 630 mA	CEK1252	
D 973	(A,33,14) Diode	RSX201L-30		△FU961	(A,134,86) Fuse 630 mA	CEK1252	
D 974	(B,18,24) Diode	MA111		△FU971	(A,39,5) Fuse 2 A	CEK1257	
D 975	(B,16,8) Diode	MA111		△FU972	(A,43,24) Fuse 2 A	CEK1257	
D 976	(B,10,35) Diode	RSX201L-30		△FU973	(A,15,30) Fuse 2 A	CEK1257	
D 977	(B,13,35) Diode	RSX201L-30		BZ601	(A,84,10) Buzzer	CPV1063	
ZNR401	(B,161,123) Surge Protector	IMSA-6801-01Y901					
L 111	(A,84,33) Chip Ferrite Bead	CTF1399		RESISTORS			
L 141	(B,81,33) Chip Ferrite Bead	CTF1399		R 101	(B,59,11)	RS1/16S223J	
L 161	(B,19,43) Chip Ferrite Bead	CTF1399		R 102	(B,64,11)	RS1/16S223J	
L 181	(B,19,46) Chip Ferrite Bead	CTF1399		R 105	(B,50,41)	RS1/16S0R0J	
L 191	(B,15,54) Chip Ferrite Bead	CTF1399		R 106	(B,50,43)	RS1/16S0R0J	
L 192	(B,14,58) Chip Ferrite Bead	CTF1399		R 112	(A,88,46)	RS1/16S472J	
L 221	(A,77,25) Inductor	LCKBW100K2520		R 113	(A,85,46)	RS1/16S472J	
L 231	(B,93,34) Chip Ferrite Bead	CTF1399		R 114	(A,90,40)	RS1/16S101J	
L 241	(B,60,24) Chip Coil	LCTAW100J2520		R 115	(A,88,44)	RS1/16S472J	
L 242	(B,57,24) Chip Coil	LCTAW100J2520		R 116	(A,85,44)	RS1/16S472J	
L 251	(A,81,53) Chip Ferrite Bead	CTF1399		R 117	(A,84,39)	RS1/16S102J	
L 252	(A,72,70) Inductor	CTF1383		R 118	(A,89,29)	RS1/16S272J	
L 253	(B,72,54) Inductor	LCTAW150J2520		R 119	(A,86,29)	RS1/16S472J	
L 271	(A,63,38) Inductor	CTF1473		R 120	(B,70,27)	RS1/16S102J	
L 281	(A,61,74) Inductor	LCTAW2R2J2520		R 121	(A,77,32)	RS1/16S122J	
L 351	(A,111,64) Inductor	CTF1306		R 131	(B,51,11)	RS1/16S223J	
L 352	(B,84,125) Choke Coil 10 μH	CTH1259		R 132	(B,55,11)	RS1/16S223J	
L 401	(B,154,146) Inductor	LCTAW220J2520		R 135	(B,50,44)	RS1/16S0R0J	
L 402	(B,149,144) Chip Coil	LCTAW1R0J2520		R 136	(B,50,46)	RS1/16S0R0J	
L 403	(B,126,141) Inductor	CTF1379		R 137	(B,49,11)	RS1/16S0R0J	
L 404	(B,115,141) Inductor	LCTAW1R0J3225		R 138	(B,55,8)	RS1/16S0R0J	
L 461	(A,127,86) Inductor	LCTAW2R2J2520		R 139	(B,53,8)	RS1/16S0R0J	
L 462	(A,127,102) Inductor	CTF1473		R 141	(A,76,123)	RS1/16S750J	
L 481	(A,93,12) Chip Ferrite Bead	CTF1399		R 142	(B,76,48)	RS1/16S472J	
L 541	(A,43,52) Inductor	CTF1473		R 143	(B,79,48)	RS1/16S472J	
L 542	(A,44,50) Inductor	CTF1473		R 144	(B,75,38)	RS1/16S101J	
L 543	(A,43,47) Inductor	CTF1473		R 145	(B,76,46)	RS1/16S472J	
L 601	(A,117,49) Inductor	LCTAW2R2J2520		R 146	(B,79,46)	RS1/16S472J	
L 602	(A,109,37) Inductor	CTF1473		R 147	(B,82,40)	RS1/16S102J	
L 751	(A,133,50) Inductor	CTF1306		R 148	(B,79,34)	RS1/16S272J	
L 761	(B,71,113) Inductor	LCTAW2R2J2520		R 149	(B,78,31)	RS1/16S472J	
L 762	(B,67,112) Inductor	LCTAW2R2J2520		R 155	(B,54,29)	RS1/16S0R0J	
L 763	(B,74,111) Inductor	CTF1295		R 156	(B,52,29)	RS1/16S0R0J	
L 831	(A,149,35) Power Inductor(10U)	DTL1124		R 161	(B,40,36)	RS1/16S750J	
L 832	(A,152,30) Inductor	CTF1473		R 162	(B,33,38)	RS1/16S472J	
L 891	(A,140,18) Coil	CTH1267		R 163	(B,33,35)	RS1/16S472J	
L 901	(A,23,120) Inductor	CTH1262		R 164	(B,25,39)	RS1/16S101J	
L 971	(A,37,23) Coil	CTH1303		R 165	(B,28,39)	RS1/16S472J	
L 972	(A,32,8) Coil	CTH1303		R 166	(B,31,34)	RS1/16S472J	
L 973	(B,13,21) Chip Coil	LCTAW100J2520		R 167	(B,29,33)	RS1/16S102J	
L 974	(A,18,24) Inductor	CTH1254		R 168	(B,22,36)	RS1/16S272J	
X 601	(B,98,45) Oscillator 4.718 592 MHz	CSS1703		R 169	(B,21,33)	RS1/16S472J	
VR271	(A,70,32) Semi-fixed 1 KΩ(OB)	CCP1390		R 170	(B,73,27)	RS1/16S0R0J	
VR971	(A,28,16) Semi-fixed 10 kΩ(B)	CCP1396		R 181	(B,42,41)	RS1/16S750J	
△FU311	(B,18,74) Fuse 3.15 A	CEK1259		R 182	(B,37,47)	RS1/16S472J	
△FU351	(B,85,144) Fuse 3.15 A	CEK1259		R 183	(B,37,45)	RS1/16S472J	
△FU352	(B,79,144) Fuse 3.15 A	CEK1259					
△FU521	(A,23,92) Fuse 2 A	CEK1257					

	1	2	3	4
	<u>Circuit Symbol and No.</u>	<u>Part No.</u>	<u>Circuit Symbol and No.</u>	<u>Part No.</u>
	R 184 (B,31,49)	RS1/16S472J	R 284 (B,35,115)	RS1/16S272J
	R 185 (B,36,43)	RS1/16S472J	R 285 (B,31,112)	RS1/16S182J
	R 186 (B,34,42)	RS1/16S102J	R 286 (B,37,112)	RS1/16S182J
A	R 187 (B,28,49)	RS1/16S101J	R 287 (B,29,112)	RS1/16S272J
	R 188 (B,23,45)	RS1/16S272J	R 288 (B,38,115)	RS1/16S272J
	R 189 (B,26,42)	RS1/16S472J	R 289 (B,61,78)	RAB4C102J
	R 191 (B,36,53)	RS1/16S0R0J	R 290 (B,59,82)	RS1/16S473J
	R 192 (B,32,55)	RS1/16S472J	R 291 (B,55,90)	RS1/16S563J
	R 194 (B,32,54)	RS1/16S472J	R 292 (B,57,69)	RS1/16S563J
	R 195 (B,25,57)	RS1/16S472J	R 293 (B,52,92)	RS1/16S0R0J
	R 196 (B,25,51)	RS1/16S472J	R 294 (B,53,66)	RS1/16S0R0J
	R 197 (B,23,58)	RS1/16S0R0J	R 311 (B,29,86)	RS1/16S390J
	R 198 (B,23,51)	RS1/16S102J	R 312 (B,29,89)	RS1/16S390J
	R 199 (B,18,55)	RS1/16S272J	R 313 (B,27,86)	RS1/16S223J
B	R 200 (B,20,51)	RS1/16S472J	R 314 (B,27,89)	RS1/16S223J
	R 201 (B,19,58)	RS1/16S0R0J	R 317 (B,29,74)	RS1/16S390J
	R 205 (B,22,61)	RS1/16S332J	R 318 (B,29,78)	RS1/16S390J
	R 208 (A,52,41)	RS1/16S101J	R 319 (B,27,74)	RS1/16S223J
	R 209 (A,52,38)	RS1/16S102J	R 320 (B,27,77)	RS1/16S223J
	R 216 (B,48,54)	RS1/16S0R0J	R 323 (B,29,80)	RS1/16S390J
	R 217 (B,51,51)	RS1/16S0R0J	R 324 (B,29,84)	RS1/16S390J
	R 223 (B,79,18)	RS1/16S101J	R 325 (B,27,80)	RS1/16S223J
	R 224 (B,68,27)	RS1/16S0R0J	R 326 (B,27,83)	RS1/16S223J
	R 231 (B,85,54)	RS1/16S750J	R 331 (B,51,104)	RS1/16S103J
	R 232 (B,86,48)	RS1/16S472J	R 332 (B,54,98)	RS1/16S473J
C	R 233 (B,88,48)	RS1/16S472J	R 351 (B,92,113)	RS1/16S471J
	R 234 (B,84,40)	RS1/16S101J	R 352 (B,82,107)	RS1/16S514J
	R 235 (B,86,46)	RS1/16S472J	R 353 (B,59,8)	RS1/16S0R0J
	R 236 (B,88,46)	RS1/16S472J	R 354 (B,92,114)	RS1/16S471J
	R 237 (B,90,40)	RS1/16S102J	R 355 (B,86,60)	RS1/16S102J
	R 239 (B,89,34)	RS1/16S272J	R 356 (B,65,8)	RS1/16S0R0J
	R 240 (B,90,34)	RS1/16S472J	R 357 (B,84,105)	RS1/16S102J
	R 241 (B,66,50)	RS1/16S221J	R 358 (B,90,110)	RS1/16S472J
	R 242 (B,64,50)	RS1/16S221J	R 360 (B,62,8)	RS1/16S0R0J
	R 243 (B,74,27)	RS1/16S0R0J	R 361 (B,81,105)	RS1/16S393J
D	R 245 (B,71,27)	RS1/16S0R0J	R 362 (B,84,99)	RS1/16S104J
	R 251 (A,66,48)	RS1/16S472J	R 363 (B,89,108)	RS1/16S472J
	R 252 (A,66,45)	RS1/16S472J	R 364 (B,87,108)	RS1/16S104J
	R 253 (A,69,48)	RS1/16S472J	R 365 (B,92,110)	RS1/16S102J
	R 254 (A,67,45)	RS1/16S472J	R 366 (A,110,71)	RS1/16S102J
	R 255 (A,72,48)	RS1/16S102J	R 367 (A,113,69)	RS1/16S102J
	R 256 (A,83,42)	RS1/16S272J	R 368 (B,93,110)	RS1/16S102J
	R 257 (A,72,45)	RS1/16S392J	R 369 (B,89,103)	RS1/16S102J
	R 259 (A,81,50)	RS1/16S101J	R 370 (B,92,97)	RS1/16S102J
	R 260 (A,68,51)	RS1/16S101J	R 371 (B,92,103)	RS1/16S102J
E	R 261 (B,62,56)	RS1/16S4702D	R 372 (B,92,116)	RS1/16S104J
	R 262 (B,62,53)	RS1/16S3302D	R 391 (A,49,28)	RS1/16S183J
	R 263 (A,72,68)	RS1/16S150J	R 392 (A,53,29)	RS1/16S183J
	R 264 (A,72,65)	RS1/16S560J	R 393 (A,48,26)	RS1/16S223J
	R 271 (A,63,33)	RS1/16S223J	R 394 (A,55,30)	RS1/16S223J
	R 272 (A,64,33)	RS1/16S303J	R 395 (A,52,29)	RS1/16S183J
	R 273 (A,67,34)	RS1/16S681J	R 396 (A,52,32)	RS1/16S183J
	R 274 (A,70,40)	RS1/16S681J	R 397 (A,48,19)	RS1/16S223J
	R 275 (A,67,31)	RS1/16S681J	R 398 (A,55,28)	RS1/16S223J
	R 276 (A,70,35)	RS1/16S272J	R 403 (B,145,146)	RS1/16S681J
	R 277 (A,73,39)	RS1/16S0R0J	R 404 (B,144,146)	RS1/16S681J
	R 278 (A,59,93)	RS1/16S0R0J	R 405 (B,142,146)	RS1/16S681J
F	R 281 (B,33,112)	RS1/16S182J	R 406 (B,140,146)	RS1/16S681J
	R 282 (B,35,112)	RS1/16S182J	R 407 (B,138,146)	RS1/16S681J
	R 283 (B,31,115)	RS1/16S272J	R 408 (B,137,146) (RE,EW5)	RS1/16S681J

5		6		7		8	
<u>Circuit Symbol and No.</u>		<u>Part No.</u>		<u>Circuit Symbol and No.</u>		<u>Part No.</u>	
R 409	(B,119,147)	RS1/16S681J		R 545	(A,41,56)	RS1/16S471J	
R 410	(B,112,148) (RE,EW5)	RS1/16S681J		R 546	(A,49,57)	RS1/16S102J	
R 411	(B,109,148) (RE,EW5)	RS1/16S681J		R 547	(A,46,56)	RS1/16S471J	
R 412	(B,106,148) (RE,EW5)	RS1/16S681J		R 548	(A,49,56)	RS1/16S221J	A
R 413	(B,103,148) (RE,EW5)	RS1/16S681J		R 549	(A,52,57)	RS1/16S221J	
R 416	(B,101,141)	RS1/16S0R0J		R 550	(A,49,54)	RS1/16S221J	
R 417	(B,101,145)	RS1/16S0R0J		R 553	(B,58,60)	RS1/16S102J	
R 421	(B,104,144) (UC)	RS1/16S682J		R 601	(A,113,39)	RS1/16S471J	
	(B,104,144) (RE,EW5)	RS1/16S103J		R 602	(A,113,40)	RS1/16S102J	
R 425	(B,122,106) (RE,EW5)	RS1/16S223J		R 603	(A,109,39)	RS1/16S0R0J	
R 426	(B,118,106) (RE,EW5)	RS1/16S223J		R 604	(A,112,45)	RS1/16S102J	
R 427	(B,124,106) (RE,EW5)	RS1/16S223J		R 605	(A,106,47)	RS1/16S0R0J	
R 428	(B,120,106) (RE,EW5)	RS1/16S223J		R 606	(A,106,45)	RS1/16S102J	
R 434	(B,101,143) (UC)	RS1/16S682J		R 607	(A,109,51)	RS1/16S471J	
	(B,101,143) (RE,EW5)	RS1/16S103J		R 608	(A,114,52)	RS1/16S471J	B
R 461	(A,130,95)	RS1/16S101J		R 609	(B,101,56)	RS1/16S182J	
R 462	(A,128,94)	RS1/16S102J		R 610	(B,102,56)	RS1/16S182J	
R 463	(A,130,97)	RS1/16S150J		R 611	(A,107,39)	RS1/16S473J	
R 464	(A,130,98)	RS1/16S470J		R 612	(A,109,45)	RS1/16S473J	
R 465	(A,130,100)	RS1/16S101J		R 613	(A,109,48)	RS1/16S104J	
R 466	(A,133,99)	RS1/16S222J		R 614	(A,106,44)	RS1/16S473J	
R 467	(A,138,95)	RS1/16S332J		R 615	(A,114,54)	RS1/16S102J	
R 468	(A,137,97)	RS1/16S562J		R 616	(A,105,50)	RS1/16S472J	
R 469	(B,68,70)	RS1/16S181J		R 617	(B,99,59)	RS1/16S221J	
R 470	(B,65,70)	RS1/16S223J		R 618	(B,101,61)	RS1/16S221J	C
R 471	(B,65,71)	RS1/16S102J		R 619	(B,104,46)	RS1/16S222J	
R 472	(B,76,75)	RS1/16S181J		R 620	(A,112,26) (RE)	RS1/16S473J	
R 473	(B,73,75)	RS1/16S223J		R 621	(A,112,22) (UC)	RS1/16S473J	
R 474	(B,68,74)	RS1/16S102J		R 623	(A,113,22)	RS1/16S473J	
R 475	(A,130,105)	RS1/16S0R0J		R 624	(B,111,31)	RS1/16S0R0J	
R 476	(A,116,95)	RS1/16S0R0J		R 625	(B,104,62)	RS1/16S102J	
R 481	(B,92,26)	RS1/16S472J		R 626	(A,111,31)	RS1/16S102J	
R 482	(B,98,24)	RS1/16S472J		R 627	(A,130,41)	RAB4C0R0J	
R 483	(B,81,24)	RS1/16S102J		R 628	(A,111,35)	RS1/16S473J	
R 484	(B,83,26)	RS1/16S102J		R 629	(A,105,61)	RS1/16S0R0J	
R 485	(B,86,26)	RS1/16S102J		R 630	(A,107,65)	RS1/16S473J	D
R 486	(B,87,26)	RS1/16S222J		R 631	(A,113,29)	RS1/16S103J	
R 487	(B,89,26)	RS1/16S102J		R 632	(A,107,61)	RS1/16S0R0J	
R 488	(B,98,22)	RS1/16S102J		R 633	(B,112,26)	RS1/16S102J	
R 489	(B,90,26)	RS1/16S102J		R 634	(A,102,61)	RS1/16S0R0J	
R 490	(A,88,17)	RS1/16S102J		R 635	(A,102,65)	RS1/16S473J	
R 491	(B,97,20)	RS1/16S102J		R 636	(B,115,17)	RS1/16S102J	
R 492	(B,95,20)	RS1/16S102J		R 637	(A,104,61)	RS1/16S0R0J	
R 501	(A,108,14)	RS1/16S103J		R 638	(A,105,65)	RS1/16S473J	
R 502	(A,111,19)	RS1/16S223J		R 639	(B,116,17)	RS1/16S102J	
R 503	(A,114,19)	RS1/16S473J		R 641	(A,113,35)	RS1/16S473J	
R 504	(A,110,14)	RS1/16S472J		R 642	(A,114,35)	RS1/16S104J	E
R 513	(A,36,92)	RS1/16S0R0J		R 643	(B,116,32)	RS1/16S102J	
R 514	(A,36,91)	RS1/16S0R0J		R 644	(B,110,67)	RS1/16S471J	
R 515	(A,39,94)	RS1/16S102J		R 645	(A,111,59)	RS1/16S473J	
R 521	(A,121,18)	RS1/16S102J		R 646	(B,118,25)	RS1/16S102J	
R 522	(A,127,17)	RS1/16S102J		R 647	(B,117,29)	RS1/16S102J	
R 523	(A,131,17)	RS1/16S102J		R 648	(B,111,67)	RS1/16S471J	
R 531	(B,108,13)	RS1/16S0R0J		R 649	(B,113,67)	RS1/16S471J	
R 532	(B,108,7)	RS1/16S0R0J		R 650	(A,117,35)	RS1/16S102J	
R 533	(B,108,10)	RS1/16S0R0J		R 651	(A,119,35)	RS1/16S102J	
R 534	(A,106,29)	RS1/16S102J		R 652	(A,121,35)	RS1/16S104J	F
R 535	(B,103,5)	RS1/16S0R0J		R 653	(B,120,25)	RS1/16S102J	
R 536	(B,108,12)	RS1/16S0R0J		R 654	(B,119,29)	RS1/16S102J	
R 537	(B,103,7)	RS1/16S0R0J		R 655	(B,119,63)	RS1/16S102J	
R 538	(B,108,9)	RS1/16S0R0J					

	1	2	3	4
	<u>Circuit Symbol and No.</u>	<u>Part No.</u>	<u>Circuit Symbol and No.</u>	<u>Part No.</u>
	R 656 (B,120,29)	RS1/16S102J	R 747 (B,44,114)	RS1/16S104J
	R 657 (B,120,63)	RS1/16S102J	R 749 (B,52,119)	RS1/16S101J
A	R 658 (B,121,32)	RS1/16S102J	R 750 (B,39,114)	RS1/16S473J
	R 659 (B,122,29)	RS1/16S102J	R 751 (B,136,51)	RS1/16S473J
	R 660 (A,119,61)	RS1/16S102J	R 752 (A,137,48)	RS1/16S102J
	R 661 (B,123,32)	RS1/16S102J	R 753 (A,140,48)	RS1/16S102J
	R 662 (A,119,62)	RS1/16S102J	R 754 (A,141,50)	RS1/16S102J
	R 663 (B,124,62)	RS1/16S221J	R 755 (A,139,57)	RS1/16S103J
	R 664 (B,124,65)	RS1/16S104J	R 756 (A,141,57)	RS1/16S473J
	R 665 (B,124,63)	RS1/16S221J	R 761 (A,130,49)	RS1/16S102J
	R 666 (A,121,55)	RS1/16S473J	R 762 (B,69,102)	RS1/16S102J
	R 667 (B,125,26)	RS1/16S102J	R 763 (B,73,107)	RS1/16S473J
	R 668 (A,121,51)	RS1/16S473J	R 764 (B,70,107)	RS1/16S472J
B	R 669 (B,125,29)	RS1/16S102J	R 765 (B,54,113)	RS1/16S103J
	R 670 (B,125,32)	RS1/16S102J	R 766 (B,67,103)	RS1/16S473J
	R 671 (B,126,31)	RS1/16S102J	R 767 (B,66,102)	RS1/16S473J
	R 672 (B,128,31)	RS1/16S102J	R 769 (B,56,110)	RS1/16S104J
	R 673 (B,129,31)	RS1/16S102J	R 770 (B,71,116)	RS1/16S153J
	R 674 (A,95,5)	RS1/16S102J	R 771 (B,67,106)	RS1/16S103J
	R 675 (A,130,35)	RS1/16S473J	R 772 (B,58,113)	RS1/16S473J
	R 676 (A,132,35)	RS1/16S473J	R 773 (B,61,112)	RS1/16S103J
	R 677 (B,136,50)	RS1/16S473J	R 774 (B,64,112)	RS1/16S473J
	R 678 (A,130,51)	RS1/16S473J	R 775 (B,63,113)	RS1/16S472J
	R 679 (A,130,57)	RS1/16S473J	R 776 (B,73,103)	RS1/16S473J
C	R 680 (A,130,52)	RS1/16S333J	R 777 (B,76,105)	RS1/16S103J
	R 681 (A,125,57)	RS1/16S104J	R 778 (B,78,106)	RS1/16S103J
	R 682 (A,125,55)	RS1/16S103J	R 779 (B,74,109)	RS1/16S103J
	R 683 (A,130,38)	RS1/16S473J	R 781 (A,119,10)	RS1/16S472J
	R 684 (B,117,65)	RS1/16S102J	R 782 (A,120,12)	RS1/16S223J
	R 685 (A,140,44)	RS1/16S473J	R 783 (A,127,10)	RS1/16S472J
	R 686 (A,140,46)	RS1/16S473J	R 784 (A,128,12)	RS1/16S223J
	R 687 (A,125,49)	RS1/16S103J	R 801 (B,142,26)	RS1/16S102J
	R 688 (A,130,45)	RAB4C102J	R 802 (B,148,19)	RS1/16S5602D
	R 690 (A,108,54)	RS1/16S681J	R 803 (B,148,22)	RS1/16S1002D
	R 691 (B,102,61)	RS1/16S103J	R 804 (B,161,18)	RS1/16S102J
D	R 692 (A,115,29)	RS1/16S105J	R 805 (A,144,48)	RS1/16S102J
	R 693 (A,125,52)	RS1/16S183J	R 806 (A,150,48)	RS1/16S102J
	R 694 (A,125,51)	RS1/16S102J	R 807 (A,155,48)	RS1/16S102J
	R 695 (A,125,54)	RS1/16S102J	R 808 (B,148,16)	RS1/16S5101D
	R 696 (B,136,54)	RS1/16S102J	R 811 (B,103,128)	RS1/16S5602D
	R 697 (A,130,55)	RS1/16S0R0J	R 812 (B,102,130)	RS1/16S1002D
	R 698 (A,121,40)	RS1/16S0R0J	R 813 (B,106,120)	RS1/16S102J
	R 699 (A,134,40)	RS1/16S473J	R 814 (B,103,131)	RS1/16S5600D
	R 700 (A,114,56)	RS1/16S0R0J	R 821 (B,161,44)	RS1/16S2702D
	R 722 (B,115,29)	RS1/16S0R0J	R 822 (B,158,44)	RS1/16S1002D
E	R 723 (B,109,33)	RS1/16S1501D	R 823 (B,162,55)	RS1/16S102J
	R 724 (A,137,44)	RS1/16S473J	R 824 (B,162,46)	RS1/16S2702D
	R 725 (A,113,42)	RS1/16S0R0J	R 832 (B,150,36)	RS1/16S5601D
	R 731 (A,101,27)	RS1/16S104J	R 833 (B,149,37)	RS1/16S6801D
	R 732 (A,98,25)	RS1/16S473J	R 834 (A,139,32)	RS1/16S473J
	R 733 (A,99,27)	RS1/16S102J	R 835 (A,139,37)	RS1/16S104J
	R 734 (A,97,27)	RS1/16S102J	R 836 (A,141,38)	RS1/16S164J
	R 735 (A,93,27)	RS1/16S104J	R 837 (A,144,38)	RS1/16S123J
	R 736 (A,103,31)	RS1/16S102J	R 838 (A,144,41)	RS1/16S123J
	R 741 (B,25,115)	RS1/16S222J	R 839 (A,145,38)	RS1/16S222J
	R 742 (B,52,109)	RS1/16S103J	R 840 (A,157,38)	RS1/16S392J
F	R 743 (B,44,112)	RS1/16S101J	R 841 (B,142,92)	RS1/16S391J
	R 744 (B,51,115)	RS1/16S103J	R 842 (B,146,73)	RS1/16S2R2J
	R 745 (B,47,112)	RS1/16S103J	R 843 (B,146,71)	RS1/16S2R2J
	R 746 (B,52,117)	RS1/16S221J	R 844 (B,147,73)	RS1/16S2R2J

5		6		7		8	
<u>Circuit Symbol and No.</u>		<u>Part No.</u>		<u>Circuit Symbol and No.</u>		<u>Part No.</u>	
R 845	(B,147,71)	RS1/16S2R2J		R 980	(B,23,10)	RS1/16S4701D	
R 846	(B,157,71)	RS1/16S271J		R 981	(A,23,13)	RS1/16S8200D	
R 851	(B,154,68)	RS1/16S221J		R 983	(B,23,27)	RS1/16S560J	A
R 852	(A,141,60)	RS1/16S2201D		R 984	(A,17,11)	RS1/16S560J	
R 853	(A,138,60)	RS1/16S1502D		R 985	(B,20,24)	RS1/16S272J	
R 854	(A,138,59)	RS1/16S1002D		R 986	(B,18,21)	RS1/16S221J	
R 855	(A,141,59)	RS1/16S0R0J		R 987	(B,19,10)	RS1/16S272J	
R 856	(B,132,67)	RS1/16S102J		R 988	(A,24,16)	RS1/16S6801D	
R 857	(A,142,72)	RS1/16S104J		R 989	(B,18,10)	RS1/16S221J	
R 858	(A,142,75)	RS1/16S183J		R 990	(A,24,17)	RS1/16S1502D	
R 861	(B,136,28)	RS1/16S6202D		R 991	(B,27,9)	RS1/16S6801D	
R 862	(B,140,23)	RS1/16S1002D		R 992	(B,21,10)	RS1/16S7501D	
R 863	(B,128,26)	RS1/16S102J		R 994	(B,27,11)	RS1/16S6802D	
R 871	(B,141,100)	RS1/16S683J		R 995	(A,21,13)	RS1/16S4702D	B
R 872	(B,141,98)	RS1/16S123J		R 996	(B,21,21)	RS1/16S2203D	
R 873	(B,149,95)	RAB4C680J		R 997	(A,19,17)	RS1/16S3302D	
R 874	(B,145,97)	RAB4C680J		R 998	(A,19,13)	RS1/16S3302D	
R 875	(B,162,98)	RS1/16S102J		<u>CAPACITORS</u>			
R 876	(A,168,106)	RS2PMFR47J		C 101	(B,59,13)	CKSRYB105K10	
R 877	(A,155,92)	RS1/16S103J		C 102	(B,62,11)	CKSRYB105K10	
R 878	(B,161,92)	RS1/16S103J		C 103	(B,61,11)	CKSRYB105K10	
R 880	(A,157,90)	RS1/16S562J		C 104	(B,64,13)	CKSRYB105K10	
R 881	(A,159,94)	RS1/16S102J		C 105	(B,52,23)	CKSRYB105K10	
R 882	(A,167,94)	RAB4C680J		C 106	(B,51,23)	CKSRYB105K10	C
R 883	(A,163,93)	RAB4C680J		C 107	(A,75,12)	CKSQYB225K10	
R 884	(B,159,97)	RS1/16S103J		C 108	(B,62,19)	CKSRYB104K50	
R 885	(A,165,98)	RS1/16S103J		C 109	(A,74,7)	CEVLW220M16	
R 891	(B,143,8)	RS1/16S222J		C 110	(A,89,49)	CKSYB106K6R3	
R 892	(B,142,8)	RS1/16S222J		C 111	(A,89,49)	CKSYB106K6R3	
R 893	(B,145,8)	RS1/16S473J		C 112	(A,85,49)	CKSYB106K6R3	
R 901	(B,14,88)	RS1/16S301J		C 113	(A,85,43)	CCSRCK2R0C50	
R 903	(B,15,91)	RS1/16S301J		C 114	(A,88,43)	CCSRCK2R0C50	
R 905	(B,12,95)	RS1/16S153J		C 115	(A,83,39)	CKSRYB104K50	
R 911	(A,142,85)	RS1/16S104J		C 116	(A,88,27) 10 μF	CCG1171	
R 912	(A,142,87)	RS1/16S103J		C 117	(A,84,36)	CKSRYB104K50	
R 921	(A,133,66)	RS1/16S103J		C 118	(B,70,33)	CKSRYB104K50	D
R 922	(A,133,69)	RS1/16S103J		C 119	(A,92,37) 22 μF	CCG1178	
R 931	(A,133,60)	RS1/16S104J		C 120	(B,51,13)	CKSRYB105K10	
R 932	(A,133,63)	RS1/16S223J		C 121	(B,54,11)	CKSRYB105K10	
R 941	(A,142,80)	RS1/16S104J		C 122	(B,52,11)	CKSRYB105K10	
R 942	(A,141,82)	RS1/16S223J		C 123	(B,56,13)	CKSRYB105K10	
R 951	(B,21,121)	RS1/16S271J		C 124	(B,51,20)	CKSRYB105K10	
R 952	(B,23,120)	RS1/16S271J		C 125	(B,49,20)	CKSRYB105K10	
R 953	(B,25,109)	RS1/16S0R0J		C 126	(A,55,16)	CKSQYB225K10	
R 954	(B,21,119)	RS1/16S271J		C 127	(B,53,19)	CKSRYB104K50	
R 955	(B,21,118)	RS1/16S103J		C 128	(A,63,7)	CEVLW220M16	
R 956	(B,23,117)	RS1/16S103J		C 129	(B,76,51)	CKSYB106K6R3	E
R 961	(A,130,83)	RS1/16S0R0J		C 130	(B,79,51)	CKSYB106K6R3	
R 963	(A,164,82)	RS1/16S0R0J		C 131	(B,79,45)	CCSRCH4R0D50	
R 964	(A,161,83)	RS1/16S271J		C 132	(B,76,45)	CCSRCH4R0D50	
R 965	(A,161,84)	RS1/16S271J		C 133	(B,81,40)	CKSRYB104K50	
R 966	(A,161,86)	RS1/16S271J		C 134	(B,78,29) 10 μF	CCG1171	
R 967	(A,161,87)	RS1/16S103J		C 135	(B,82,37)	CKSRYB104K50	
R 968	(A,161,89)	RS1/16S103J		C 136	(A,48,23)	CKSRYB105K10	
R 972	(B,25,21)	RS1/16S3901D		C 137	(A,52,23)	CKSRYB105K10	
R 973	(A,21,17)	RS1/16S4701D		C 138	(A,49,23)	CKSRYB105K10	
R 975	(B,26,24)	RS1/16S2202D		C 139	(A,51,23)	CKSRYB105K10	F
R 976	(B,26,21)	RS1/16S2202D		C 140	(B,59,20)	CKSRYB105K10	
R 978	(B,24,10)	RS1/16S6801D		C 141	(B,57,20)	CKSRYB105K10	
R 979	(B,24,7)	RS1/16S0R0J		C 142			

	1		2		3		4	
	<u>Circuit Symbol and No.</u>		<u>Part No.</u>		<u>Circuit Symbol and No.</u>		<u>Part No.</u>	
	C 157	(A,51,12)	CKSQYB225K10		C 254	(A,62,44) 22 μ F	CCG1178	
	C 158	(A,50,15)	CKSRYB104K50		C 256	(A,67,48)	CCSRCJ3R0C50	
	C 159	(A,56,7)	CEVLW220M16		C 257	(A,72,46)	CKSRYB104K50	
A	C 162	(B,36,38)	CKSYB106K6R3		C 258	(A,77,38)	CEVLW100M16	
	C 163	(B,36,35)	CKSYB106K6R3		C 259	(A,78,45)	CEVLW101M10	
	C 164	(B,31,32)	CCSRCH4R0D50		C 260	(A,79,50)	CKSRYB104K50	
	C 165	(B,31,39)	CCSRCH4R0D50		C 261	(A,64,54)	CEVLW101M10	
	C 166	(B,27,33)	CKSRYB104K50		C 262	(B,72,58) 10 μ F	CCG1171	
	C 167	(B,20,34) 10 μ F	CCG1171		C 263	(A,87,59)	CEVLW221M4	
	C 168	(B,24,34)	CKSRYB104K50		C 264	(A,80,59)	CEVLW221M4	
	C 169	(B,73,33)	CKSRYB104K50		C 265	(A,73,59)	CEVLW221M4	
	C 182	(B,42,46)	CKSYB106K6R3		C 266	(A,69,45)	CCSRCJ3R0C50	
	C 183	(B,40,43)	CKSYB106K6R3		C 271	(A,63,36)	CKSRYB105K10	
	C 184	(B,36,41)	CCSRCH4R0D50		C 272	(A,57,36)	CEVLW101M10	
B	C 185	(B,34,49)	CCSRCH4R0D50		C 281	(A,53,67)	CKSQYB225K10	
	C 186	(B,32,42)	CKSRYB104K50		C 282	(A,55,67)	CKSQYB225K10	
	C 187	(B,23,42) 10 μ F	CCG1171		C 283	(B,54,88)	CKSQYB225K10	
	C 188	(B,21,45)	CKSRYB104K50		C 284	(B,55,68)	CKSQYB225K10	
	C 189	(B,71,33)	CKSRYB104K50		C 285	(B,52,87)	CKSRYB104K50	
	C 191	(B,36,58) 22 μ F	CCG1178		C 286	(B,52,69)	CKSRYB104K50	
	C 192	(B,36,56) 22 μ F	CCG1178		C 287	(B,63,74)	CKSQYB225K10	
	C 193	(B,25,59)	CCSRCK2R0C50		C 288	(B,61,69)	CKSQYB225K10	
	C 194	(B,25,50)	CCSRCK2R0C50		C 289	(B,65,74)	CKSQYB225K10	
	C 195	(B,21,51)	CKSRYB104K50		C 290	(B,61,71)	CKSQYB225K10	
	C 196	(B,18,51) 10 μ F	CCG1171		C 291	(B,49,89)	CKSYB475K16	
C	C 197	(B,16,51)	CKSRYB104K50		C 292	(B,49,67)	CKSYB475K16	
	C 198	(B,17,59)	CKSYB106K6R3		C 293	(B,45,87)	CKSYB475K16	
	C 200	(B,28,65)	CKSYB475K16		C 294	(B,46,69)	CKSYB475K16	
	C 201	(B,30,58)	CKSRYB103K50		C 295	(B,41,83)	CKSYB475K16	
	C 202	(A,50,45)	CEVLW220M16		C 296	(B,42,71)	CKSYB475K16	
	C 203	(A,56,46)	CEVLW101M10		C 297	(A,58,79)	CEVLW470M16	
	C 205	(A,52,39)	CKSRYB105K10		C 298	(B,60,74)	CKSRYB104K50	
	C 221	(A,81,26)	CKSQYB225K10		C 299	(A,58,74)	CKSRYB474K16	
	C 222	(A,83,26)	CKSQYB225K10		C 300	(B,59,74)	CKSRYB104K50	
	C 223	(A,74,19)	CEVLW470M16		C 301	(A,54,73)	CEVLW100M16	
D	C 224	(A,79,18)	CKSRYB103K50		C 302	(A,48,82)	CEVLW100M16	
	C 226	(B,68,33)	CKSRYB104K50		C 303	(B,43,81)	CKSRYB104K50	
	C 227	(B,51,38)	CKSRYB105K10		C 304	(A,46,73)	CEVLW470M16	
	C 228	(B,51,39)	CKSRYB105K10		C 311	(B,34,86) 10 μ F	CCG1182	
	C 231	(B,84,51)	CKSYB106K6R3		C 312	(B,34,89) 10 μ F	CCG1182	
	C 232	(B,87,51)	CKSYB106K6R3		C 315	(B,34,74) 10 μ F	CCG1182	
	C 233	(B,86,45)	CCSRCH4R0D50		C 316	(B,34,77) 10 μ F	CCG1182	
	C 234	(B,88,45)	CCSRCH4R0D50		C 319	(B,34,80) 10 μ F	CCG1182	
	C 235	(B,92,40)	CKSRYB104K50		C 320	(B,34,83) 10 μ F	CCG1182	
	C 236	(B,90,32) 10 μ F	CCG1171		C 324	(B,14,72)	CKSRYB104K50	
	C 237	(B,92,37)	CKSRYB104K50		C 331	(B,28,119)	CKSRYB105K10	
E	C 238	(B,74,33)	CKSRYB104K50		C 332	(B,35,119)	CKSRYB105K10	
	C 241	(A,66,18)	CEVLW470M16		C 333	(B,28,121)	CKSRYB105K10	
	C 242	(A,58,23)	CEVLW470M16		C 334	(B,35,121)	CKSRYB105K10	
	C 243	(B,63,29)	CKSRYB104K50		C 335	(B,31,119)	CKSRYB105K10	
	C 244	(B,56,29)	CKSRYB104K50		C 336	(B,38,119)	CKSRYB105K10	
	C 245	(A,66,29)	CKSYB475K16		C 337	(B,31,121)	CKSRYB105K10	
	C 246	(B,63,31)	CKSRYB104K50		C 338	(B,38,121)	CKSRYB105K10	
	C 247	(A,60,29)	CKSQYB225K10		C 339	(B,25,119) 10 μ F	CCG1182	
	C 248	(B,59,29)	CKSRYB105K10		C 340	(B,42,121)	CKSYB475K16	
	C 249	(B,57,29)	CKSRYB105K10		C 341	(B,47,121)	CKSYB475K16	
F	C 250	(B,60,29)	CKSRYB104K50		C 342	(A,55,125)	CKSRYB104K50	
	C 251	(A,62,49) 47 μ F	CCG1181		C 343	(A,62,123) 1 000 μ F/16 V	CCH1428	
	C 252	(A,62,46) 22 μ F	CCG1178		C 345	(B,62,153)	CKSQYB104K50	
	C 253	(A,62,41) 47 μ F	CCG1181		C 351	(B,86,108)	CKSRYB103K50	

5		6		7		8	
<u>Circuit Symbol and No.</u>		<u>Part No.</u>		<u>Circuit Symbol and No.</u>		<u>Part No.</u>	
C 360	(A,109,66)	CKSRYB103K50		C 733	(A,98,24)	CKSRYB102K50	
C 391	(B,53,33)	CKSRYB104K50		C 741	(A,39,121)	CEVLW470M16	
C 392	(B,50,35)	CKSRYB104K50		C 742	(A,47,121)	CEVLW470M16	
C 401	(B,150,147)	CKSRYB103K50		C 743	(B,42,108) 10 µF	CCG1182	A
C 403	(A,148,109)	CEVLW101M10		C 744	(A,54,117)	CEVLW330M10	
C 405	(B,120,141)	CKSRYB103K50		C 751	(A,134,52)	CKSRYB105K10	
C 406	(B,120,143)	CKSYB475K16		C 761	(B,54,111)	CKSRYB105K10	
C 408	(B,116,145)	CKSRYB103K50		C 762	(B,55,113)	CKSRYB104K50	
C 409	(B,116,147)	CKSYB106K6R3		C 763	(B,62,146)	CKSRYB104K50	
C 410	(B,103,142)	CKSRYB474K16		C 764	(B,67,109)	CKSRYB103K50	
C 411	(B,107,140)	CKSRYB474K16		C 765	(B,65,110)	CKSRYB104K50	
C 413	(B,144,138)	CKSYB475K16		C 766	(B,61,115)	CKSRYB104K50	
C 414	(A,157,9)	CKSRYB102K50		C 769	(B,76,106)	CKSRYB104K50	
C 415	(B,109,141)	CKSRYB474K16		C 770	(B,88,147)	CKSRYB104K50	
C 416	(B,106,141)	CKSRYB474K16		C 771	(A,73,129)	CKSRYB104K50	B
C 417	(B,99,132)	CKSRYB104K50		C 781	(A,114,11)	CKSRYB104K50	
C 418	(B,101,136)	CKSQYB225K10		C 782	(A,122,11)	CKSRYB104K50	
C 419	(B,99,129)	CKSRYB105K10		C 801	(B,145,29)	CKSRYB104K50	
C 420	(B,129,143)	CKSRYB103K50		C 802	(A,143,24)	CEVLW470M6R3	
C 421	(B,145,141)	CKSYB475K16		C 803	(B,142,30)	CKSRYB103K50	
C 422	(B,108,117)	CKSRYB103K50		C 804	(B,152,15)	CKSRYB103K50	
C 423	(B,119,123)	CKSRYB104K50		C 805	(A,148,18)	CEVLW470M16	
C 461	(B,129,90)	CKSRYB102K50		C 806	(A,156,20)	CKSQYB105K16	
C 462	(B,128,90)	CKSRYB102K50		C 811	(A,129,110)	CEVLW220M16	
C 464	(A,124,86)	CKSRYB104K50		C 812	(B,129,133)	CKSRYB103K50	C
C 465	(A,167,47)	CCSRCH101J50		C 813	(B,120,132)	CKSYB475K16	
C 466	(A,162,18)	CKSRYB102K50		C 814	(B,119,124)	CKSRYB102K50	
C 467	(A,129,102)	CKSRYB104K50		C 817	(B,102,127)	CKSRYB103K50	
C 468	(A,113,95)	CCSRCH101J50		C 818	(A,108,109)	CEVLW470M16	
C 481	(B,101,27)	CKSRYB104K50		C 819	(B,104,125)	CKSQYB105K16	
C 484	(B,97,16)	CKSRYB104K50		C 821	(B,161,42)	CKSRYB103K50	
C 501	(A,112,14)	CKSRYB103K50		C 822	(A,146,56)	CEVLW470M16	
C 511	(B,35,95)	CCSRCH101J50		C 823	(B,161,50)	CKSQYB105K16	
C 513	(A,58,87)	CEVLW221M4		C 831	(A,142,33)	CKSQYB105K16	
C 514	(A,48,88)	CEVLW221M4		C 832	(B,152,36)	CKSRYB103K50	
C 515	(B,46,92)	CKSRYB102K50		C 833	(B,151,38)	CKSRYB103K50	D
C 541	(A,42,59)	CKSYB475K16		C 834	(A,140,33)	CKSRYB473K50	
C 542	(A,42,65)	CKSRYB104K50		C 835	(A,141,36)	CCSRCH220J50	
C 544	(A,46,65)	CKSRYB104K50		C 836	(A,157,31)	CKSRYB104K50	
C 545	(A,45,63)	CKSRYB102K50		C 837	(A,147,31)	CKSYB475K16	
C 601	(A,118,52)	CKSYB106K6R3		C 838	(A,153,33)	CKSRYB104K50	
C 602	(B,103,47)	CCSRCH8R0D50		C 839	(B,146,41)	CKSRYB104K50	
C 603	(B,103,44)	CCSRCH8R0D50		C 840	(B,159,40)	CKSYB475K16	
C 604	(A,109,42)	CKSRYB104K50		C 841	(B,136,82)	CKSRYB102K50	
C 605	(A,118,41)	CKSRYB102K50		C 842	(A,148,75)	CEVLW101M10	
C 606	(B,101,54)	CCSRCH470J50		C 843	(B,136,83)	CKSRYB103K50	
C 607	(B,102,54)	CCSRCH470J50		C 844	(B,135,85)	CKSRYB103K50	E
C 608	(B,104,56)	CKSRYB103K50		C 845	(A,163,74)	CEVLW470M16	
C 609	(B,104,38)	CKSRYB105K10		C 846	(A,166,66) 1 000 µF/16 V	CCH1428	
C 610	(B,100,37)	CKSYB475K16		C 847	(B,154,70)	CKSRYB104K50	
C 611	(A,116,35)	CKSRYB474K16		C 851	(B,142,59)	CKSRYB102K50	
C 612	(A,130,54)	CKSRYB104K50		C 852	(A,148,66)	CEVLW101M10	
C 614	(A,118,44)	CEVLW100M16		C 853	(B,140,57)	CKSRYB103K50	
C 615	(A,108,56)	CCSRCH470J50		C 854	(B,141,50)	CKSRYB103K50	
C 616	(A,113,43)	CCSRCH101J50		C 855	(B,158,65)	CKSRYB104K50	
C 617	(A,108,50)	CCSRCH470J50		C 856	(A,156,69)	CEVLW470M16	
C 618	(A,114,49)	CCSRCH470J50		C 857	(A,139,65)	CEVLW101M6R3	F
C 619	(B,96,38)	CKSRYB104K50		C 858	(A,139,70)	CKSRYB102K50	
C 731	(A,101,28)	CKSRYB104K50		C 859	(B,142,61)	CKSQYB105K16	
C 732	(A,93,26)	CKSRYB105K10		C 860	(A,139,72)	CKSRYB104K50	

5
Circuit Symbol and No.

6
Part No.

7
Circuit Symbol and No.

8
Part No.

C 4001 (B,88,8)
C 4002 (B,91,7)
C 4003 (B,91,9)
C 4004 (B,88,10) 10 µF
C 4021 (B,100,9) 10 µF

CCSRCH102J25
CKSRYB104K50
CKSRYB104K50
CCG1171
CCG1171

Q 5205 (A,59,18) Transistor
Q 5206 (A,62,18) Transistor
Q 5301 (A,74,109) Transistor
Q 5302 (A,62,111) Transistor
Q 5401 (A,39,112) Transistor

2SC4617
2SC4617
2SC4081
2SA1576A
2SC4617

C 4041 (B,94,9)
C 4071 (B,20,5)
C 4072 (B,10,4)
C 4073 (B,26,14)
C 4074 (B,10,19)

CKSRYB104K50
CKSRYB104K50
CKSRYB104K50
CKSRYB104K50
CKSRYB104K50

Q 5501 (A,9,55) Transistor
Q 5502 (A,13,55) Transistor
Q 5601 (A,113,48) Chip Transistor
Q 5602 (A,144,46) Transistor
Q 5603 (A,143,51) Chip Transistor

UMX2N
UMT2N
DTC124EUA
2SA1774
DTC114EUA

C 4075 (A,112,8)
C 4076 (A,128,5)
C 4077 (A,138,5)
C 4078 (B,152,15)
C 4079 (A,148,5)

CKSRYB104K50
CKSRYB104K50
CKSRYB104K50
CKSRYB104K50
CKSRYB104K50

Q 5604 (A,147,46) Transistor
Q 5605 (A,146,51) Chip Transistor
Q 5607 (A,137,39) Chip Transistor
Q 5608 (A,140,45) Transistor
Q 5701 (A,144,59) Transistor

2SA1774
DTC114EUA
DTC114EUA
2SA1797
UMF5N

C 4080 (B,159,12)

CKSRYB104K50

Q 5702 (A,144,63) Transistor
Q 5703 (A,143,70) Transistor
Q 5801 (A,107,95) Transistor
Q 5802 (A,103,91) Transistor
Q 5803 (A,102,94) Transistor

UMF5N
FMG12
2SA1774
2SA1774
2SA1774

Monitor Unit
Consists of
Monitor PCB
Upper PCB



Unit Number : CWN2330
Unit Name : Monitor Unit

MISCELLANEOUS

IC 5101 (A,66,94) Regulator IC S-1132B15-U5
IC 5102 (A,66,99) IC S-1132B25-U5
IC 5103 (A,74,75) IC BD6171KV
IC 5201 (A,63,31) IC TA78L05F
IC 5202 (A,60,43) L-MOS And Gate TC7SET08FUS1

IC 5203 (A,59,37) L-MOS And Gate TC7SET08FUS1
IC 5204 (A,44,31) IC OZ961ISN
IC 5205 (A,40,21) FET SI6544BDQ
IC 5206 (A,40,17) FET SI6544BDQ
IC 5301 (A,81,110) IC NJM2505AF

IC 5401 (A,37,92) IC TC90A96BFGSING
IC 5501 (A,10,100) IC M62343FP
IC 5502 (A,12,79) IC TC7SET04FUS1
IC 5503 (A,14,87) IC NJM2100V
IC 5504 (A,56,83) IC TC7SET04FUS1

IC 5505 (A,15,74) IC TC7S66FU
IC 5506 (A,57,76) IC TC74VHC04FTS1
IC 5507 (A,11,66) IC NJM082BV
IC 5602 (A,121,47) IC S-80827CINN-B8M
IC 5603 (A,119,65) IC PEG333A

IC 5604 (A,135,66) IC S-93C56BD0I-J8
IC 5801 (A,138,94) IC PEH098A
IC 5802 (A,116,91) IC PDC149A
Q 5101 (A,75,63) Chip Transistor DTC114EUA
Q 5102 (A,85,80) FET RSQ035P03

Q 5103 (A,84,73) FET RSQ035P03
Q 5201 (A,59,12) Transistor UMX2N
Q 5202 (A,60,25) Transistor 2SC4617
Q 5203 (A,57,26) Transistor 2SC4617
Q 5204 (A,55,41) Transistor 2SA1774

Q 5901 (A,134,5) Transistor 2SA1774
D 5001 (A,109,105) Diode UDZS5R6(B)
D 5002 (A,111,107) Diode UDZS5R6(B)
D 5003 (A,110,110) Diode UDZS5R6(B)
D 5004 (A,112,110) Diode UDZS5R6(B)

D 5005 (A,122,33) Diode UDZS5R6(B)
D 5006 (A,114,39) Diode UDZS5R6(B)
D 5007 (A,119,39) Diode UDZS5R6(B)
D 5008 (A,122,37) Diode UDZS5R6(B)
D 5101 (A,73,95) Diode RB500V-40

D 5102 (A,73,100) Diode RB500V-40
D 5103 (A,87,85) Diode U2FWJ44N
D 5104 (A,87,69) Diode RB160M-30
D 5105 (A,83,64) Diode RB548W
D 5106 (A,81,64) Diode RB548W

D 5107 (A,72,63) Diode RB548W
D 5108 (A,70,63) Diode RB548W
D 5109 (A,68,63) Diode RB548W
D 5201 (A,57,22) Diode UDZS6R2(B)
D 5202 (A,55,46) Diode 1SS355

D 5203 (A,62,40) RB751V-40
D 5204 (A,47,20) Diode HZU6R2(B3)
D 5205 (A,47,15) Diode HZU6R2(B3)
D 5206 (A,57,20) Diode UDZS8R2(B)
D 5207 (A,63,6) Diode MA143

D 5208 (A,61,6) Diode HZU6R2(B3)
D 5209 (A,69,5) Diode MA143
D 5601 (A,124,47) Diode MA111
D 5701 (A,142,67) Diode MA111
D 5901 (A,124,6) IC TPS850

D 5931 (A,24,8) LED CL-197HB1-D(CDE)
D 5932 (A,9,8) LED CL-197HB1-D(CDE)
D 5933 (A,142,8) LED CL-197HB1-D(CDE)
D 5934 (A,156,8) LED CL-197HB1-D(CDE)
D 5951 (A,24,7) LED CL-195SR-CD

D 5952 (A,9,7) LED CL-195SR-CD
D 5953 (A,142,7) LED CL-195SR-CD
D 5954 (A,156,7) LED CL-195SR-CD
D 5971 (A,79,13) LED CL-197HB1-D(CDE)
D 5972 (A,87,13) LED CL-197HB1-D(CDE)

	1		2		3		4	
	<u>Circuit Symbol and No.</u>		<u>Part No.</u>		<u>Circuit Symbol and No.</u>		<u>Part No.</u>	
A	D 5981	(A,79,11) LED	CL-195SR-CD	L 5439	(A,47,73) Ferrite Bead	CTF1528		
	D 5982	(A,87,11) LED	CL-195SR-CD	L 5440	(A,47,75) Ferrite Bead	CTF1528		
	L 5101	(A,55,106) Inductor	CTF1635	L 5441	(A,46,73) Ferrite Bead	CTF1528		
	L 5102	(A,93,95) Choke Coil 10 μ H	CTH1249	L 5442	(A,46,75) Ferrite Bead	CTF1528		
	L 5103	(A,84,90) Choke Coil 18 μ H	CTH1250	L 5443	(A,45,74) Ferrite Bead	CTF1528		
	L 5104	(A,78,51) Inductor	CTF1488	L 5444	(A,45,76) Ferrite Bead	CTF1528		
	L 5105	(A,89,65) Choke Coil 68 μ H	CTH1318	L 5445	(A,43,74) Inductor	CTF1306		
	L 5107	(A,84,61) Inductor	DTL1096	L 5446	(A,39,77) Ferrite Bead	CTF1528		
	L 5108	(A,16,112) Inductor	CTF1635	L 5447	(A,39,75) Ferrite Bead	CTF1528		
	L 5109	(A,58,106) Inductor	CTF1635	L 5448	(A,38,77) Ferrite Bead	CTF1528		
B	L 5110	(A,60,89) Inductor	CTF1635	L 5449	(A,38,75) Ferrite Bead	CTF1528		
	L 5111	(A,60,92) Inductor	CTF1635	L 5450	(A,37,77) Ferrite Bead	CTF1528		
	L 5112	(A,57,101) Inductor	CTF1635	L 5451	(A,37,75) Ferrite Bead	CTF1528		
	L 5113	(A,84,97) Choke Coil 18 μ H	CTH1250	L 5452	(A,36,74) Inductor	CTF1306		
	L 5114	(A,65,84) Inductor	CTF1635	L 5453	(A,35,75) Ferrite Bead	CTF1528		
	L 5115	(A,93,64) Inductor	CTF1635	L 5454	(A,35,77) Ferrite Bead	CTF1528		
	L 5116	(A,63,63) Inductor	CTF1635	L 5455	(A,34,73) Ferrite Bead	CTF1528		
	L 5201	(A,78,24) Coil	CTH1338	L 5456	(A,33,77) Ferrite Bead	CTF1528		
	L 5202	(A,57,40) Inductor	CTF1306	L 5457	(A,33,75) Ferrite Bead	CTF1528		
	L 5301	(A,69,112) Inductor	LCKAW220J2520	L 5458	(A,33,73) Ferrite Bead	CTF1528		
C	L 5302	(A,65,112) Inductor	LCKAW270J2520	L 5459	(A,28,75) Ferrite Bead	CTF1528		
	L 5303	(A,59,103) Inductor	LCKAW101J2520	L 5460	(A,29,77) Ferrite Bead	CTF1528		
	L 5304	(A,79,107) Inductor	CTF1379	L 5461	(A,27,77) Ferrite Bead	CTF1528		
	L 5401	(A,48,110) Inductor	CTF1306	L 5462	(A,25,75) Ferrite Bead	CTF1528		
	L 5402	(A,42,113) Inductor	CTF1306	L 5463	(A,26,77) Ferrite Bead	CTF1528		
	L 5403	(A,40,113) Inductor	CTF1306	L 5464	(A,25,76) Ferrite Bead	CTF1528		
	L 5404	(A,34,112) Inductor	CTF1306	L 5465	(A,25,77) Ferrite Bead	CTF1528		
	L 5405	(A,24,110) Inductor	CTF1306	L 5466	(A,48,75) Inductor	CTF1306		
	L 5406	(A,33,112) Inductor	CTF1306	L 5467	(A,31,74) Inductor	CTF1306		
	L 5407	(A,26,110) Inductor	CTF1306	L 5468	(A,30,74) Inductor	CTF1306		
D	L 5408	(A,36,112) Inductor	CTF1306	L 5469	(A,50,74) Inductor	CTF1306		
	L 5409	(A,52,108) Inductor	CTF1306	L 5470	(A,42,74) Inductor	CTF1306		
	L 5411	(A,50,110) Inductor	CTF1306	L 5471	(A,41,74) Inductor	CTF1306		
	L 5412	(A,54,103) Inductor	CTF1306	L 5472	(A,18,78) Inductor	LCKAW101J2520		
	L 5413	(A,20,104) Inductor	CTF1306	L 5501	(A,15,78) Inductor	CTF1306		
	L 5414	(A,21,102) Inductor	CTF1306	L 5502	(A,8,84) Inductor	LCKAW101J2520		
	L 5415	(A,21,101) Inductor	CTF1306	L 5503	(A,9,75) Inductor	LCKAW101J2520		
	L 5416	(A,18,100) Inductor	CTF1306	L 5504	(A,53,62) Inductor	CTF1306		
	L 5417	(A,17,99) Inductor	CTF1306	L 5505	(A,22,70) Inductor	DTL1096		
	L 5418	(A,54,100) Inductor	CTF1306	L 5506	(A,15,65) Inductor	DTL1096		
	L 5419	(A,20,98) Inductor	CTF1306	L 5508	(A,49,72) Inductor	CTF1306		
	L 5420	(A,54,97) Inductor	CTF1306	L 5509	(A,28,70) Inductor	CTF1635		
	L 5421	(A,16,97) Inductor	CTF1306	L 5510	(A,20,70) Inductor	CTF1635		
	L 5422	(A,19,96) Inductor	CTF1306	L 5511	(A,62,81) Inductor	CTF1635		
	L 5423	(A,15,95) Inductor	CTF1306	L 5602	(A,108,59) Inductor	CTF1306		
E	L 5424	(A,15,94) Inductor	CTF1306	L 5603	(A,136,60) Inductor	CTF1306		
	L 5425	(A,54,94) Inductor	CTF1306	L 5604	(A,101,66) Inductor	CTF1306		
	L 5426	(A,19,93) Inductor	CTF1306	L 5605	(A,132,48) Inductor	CTF1488		
	L 5427	(A,19,91) Inductor	CTF1306	L 5701	(A,139,60) Inductor	CTF1379		
	L 5428	(A,54,91) Inductor	CTF1306	L 5801	(A,104,77) Inductor	LCKAW2R2J2520		
	L 5429	(A,19,90) Inductor	CTF1306	L 5802	(A,139,51) Inductor	CTF1488		
	L 5430	(A,19,88) Inductor	CTF1306	L 5803	(A,108,77) Inductor	LCKAW2R2J2520		
	L 5431	(A,54,88) Inductor	CTF1306	L 5804	(A,143,73) Inductor	CTF1395		
	L 5432	(A,54,85) Inductor	CTF1306	L 5901	(A,117,7) Inductor	LCKBW100K2520		
	L 5433	(A,19,87) Inductor	CTF1306	T 5201	(B,51,10) Transformer	CTT1119		
F	L 5434	(A,19,84) Inductor	CTF1306	TH5601	(A,106,56) Thermistor	CCX1051		
	L 5435	(A,19,83) Inductor	CTF1306	X 5401	(A,45,112) Crystal Resonator 42 MHz	CSS1604		
	L 5436	(A,19,82) Inductor	CTF1306	X 5601	(A,119,52) Ceramic Resonator 16.000 MHz	CSS1616		
	L 5437	(A,54,83) Inductor	CTF1306	S 5921	(A,142,4) Push Switch	CSG1155		
	L 5438	(A,19,80) Inductor	CTF1306	S 5922	(A,9,4) Push Switch	CSG1155		

5		6		7		8	
<u>Circuit Symbol and No.</u>		<u>Part No.</u>		<u>Circuit Symbol and No.</u>		<u>Part No.</u>	
S 5923	(A,24,4) Push Switch	CSG1155		R 5207	(A,58,28)	RS1/16S105J	
S 5924	(A,157,4) Push Switch	CSG1155		R 5208	(A,54,44)	RS1/16S473J	
VR5201	(A,35,28) Semi-fixed 22 kΩ(B)	CCP1491		R 5209	(A,56,38)	RS1/16S333J	
△FU5101	(A,83,51) Fuse 1.25 A	CEK1255		R 5210	(A,49,37)	RS1/16S513J	A
△FU5201	(A,72,23) Fuse 1.25 A	CEK1255		R 5211	(A,62,37)	RS1/16S103J	
				R 5212	(A,53,27)	RS1/16S105J	
				R 5213	(A,59,40)	RS1/16S102J	
				R 5214	(A,35,30)	RS1/16S5102D	
RESISTORS							
R 5005	(A,92,47)	RS1/16S0R0J		R 5215	(A,45,20)	RS1/16S103J	
R 5006	(A,94,47)	RS1/16S0R0J		R 5216	(A,45,16)	RS1/16S103J	
R 5007	(A,99,50)	RS1/16S0R0J		R 5217	(A,57,17)	RS1/16S103J	
R 5008	(A,101,50)	RS1/16S0R0J		R 5218	(A,63,15)	RS1/16S621J	
R 5009	(A,143,40)	RS1/16S0R0J		R 5219	(A,57,18)	RS1/16S104J	
R 5010	(A,142,40)	RS1/16S0R0J		R 5220	(A,61,21)	RS1/16S473J	
R 5011	(A,115,106)	RS1/16S101J		R 5221	(A,61,12)	RS1/16S621J	B
R 5012	(A,114,106)	RS1/16S101J		R 5222	(A,60,15)	RS1/16S101J	
R 5013	(A,112,105)	RS1/16S101J		R 5223	(A,58,15)	RS1/16S101J	
R 5014	(A,111,105)	RS1/16S101J		R 5224	(A,59,9)	RS1/16S821J	
R 5015	(A,97,111)	RS1/16S101J		R 5225	(A,58,6)	RS1/16S471J	
R 5101	(A,70,94)	RS1/16SS684J		R 5227	(A,38,31)	RS1/16S1001D	
R 5102	(A,70,99)	RS1/16SS474J		R 5301	(A,77,112)	RS1/16S512J	
R 5103	(A,70,89)	RS1/16S0R0J		R 5302	(A,77,110)	RS1/16S104J	
R 5104	(A,72,90)	RS1/16S6801D		R 5303	(A,74,107)	RS1/16S153J	
R 5105	(A,89,94)	RS1/16S0R0J		R 5304	(A,71,107)	RS1/16S104J	
R 5106	(A,80,88)	RS1/16S0R0J		R 5305	(A,69,108)	RS1/16S681J	C
R 5107	(A,75,90)	RS1/16S201J		R 5306	(A,71,109)	RS1/16S471J	
R 5108	(A,81,86)	RS1/16S1001D		R 5307	(A,64,109)	RS1/16S272J	
R 5109	(A,71,88)	RS1/16S1001D		R 5308	(A,60,111)	RS1/16S391J	
R 5110	(A,75,88)	RS1/16S682J		R 5311	(A,88,108)	RS1/16S101J	
R 5111	(A,66,81)	RS1/16S5100F		R 5312	(A,88,110)	RS1/16S101J	
R 5112	(A,81,84)	RS1/16S1600D		R 5401	(A,44,108)	RS1/16SS391J	
R 5113	(A,78,87)	RS1/16S102J		R 5402	(A,59,113)	RS1/16S0R0J	
R 5114	(A,69,81)	RS1/16S0R0J		R 5403	(A,45,108)	RS1/16SS105J	
R 5115	(A,78,85)	RS1/16S2700D		R 5404	(A,39,110)	RS1/16SS331J	
R 5116	(A,66,82)	RS1/16S2001F		R 5405	(A,37,111)	RS1/16SS152J	
R 5117	(A,73,85)	RS1/16S684J		R 5406	(A,21,106)	RS1/16S0R0J	D
R 5118	(A,77,82)	RS1/16S333J		R 5407	(A,18,102)	RS1/16S331J	
R 5119	(A,73,82)	RS1/16S123J		R 5408	(A,15,105)	RS1/16S101J	
R 5120	(A,82,80)	RS1/16S273J		R 5410	(A,13,105)	RS1/16S101J	
R 5121	(A,82,83)	RS1/16S150J		R 5411	(A,13,95)	RS1/16S470J	
R 5122	(A,87,72)	RS1/16S150J		R 5412	(A,13,94)	RS1/16S470J	
R 5123	(A,82,75)	RS1/16S563J		R 5413	(A,16,91)	RS1/16SS471J	
R 5124	(A,74,67)	RS1/16S5102D		R 5414	(A,16,93)	RS1/16SS333J	
R 5125	(A,68,68)	RS1/16S0R0J		R 5415	(A,14,97)	RS1/16SS222J	
R 5126	(A,67,70)	RS1/16S1002D		R 5416	(A,14,93)	RS1/16SS152J	
R 5127	(A,76,65)	RS1/16S4300D		R 5417	(A,21,92)	RS1/16SS473J	
R 5128	(A,66,69)	RS1/16S1802D		R 5418	(A,44,70)	RAB4CQ221J	E
R 5129	(A,77,67)	RS1/16S1802D		R 5419	(A,41,70)	RAB4CQ221J	
R 5130	(A,66,66)	RS1/16S2202D		R 5420	(A,35,70)	RAB4CQ221J	
R 5131	(A,66,63)	RS1/16S0R0J		R 5421	(A,22,76)	RAB4CQ221J	
R 5132	(A,78,64)	RS1/16S3303D		R 5422	(A,47,71)	RS1/16SS221J	
R 5133	(A,81,69)	RS1/16S0R0J		R 5423	(A,46,70)	RS1/16SS221J	
R 5134	(A,79,61)	RS1/16S0R0J		R 5424	(A,38,73)	RS1/16SS221J	
R 5135	(A,76,67)	RS1/16S2703D		R 5425	(A,37,73)	RS1/16SS221J	
R 5201	(A,63,43)	RS1/16S103J		R 5426	(A,33,71)	RS1/16SS221J	
R 5202	(A,57,24)	RS1/16S103J		R 5427	(A,32,71)	RS1/16SS221J	
R 5203	(A,60,24)	RS1/16S104J		R 5428	(A,30,72)	RS1/16SS221J	
R 5204	(A,60,45)	RS1/16S103J		R 5429	(A,28,73)	RS1/16SS221J	F
R 5205	(A,56,29)	RS1/16S473J		R 5430	(A,27,75)	RS1/16SS221J	
R 5206	(A,56,44)	RS1/16S472J		R 5501	(A,9,106)	RAB4CQ221J	

	1	2	3	4
	<u>Circuit Symbol and No.</u>	<u>Part No.</u>	<u>Circuit Symbol and No.</u>	<u>Part No.</u>
	R 5503 (A,12,81)	RS1/16S101J	R 5632 (A,103,61)	RS1/16S473J
	R 5504 (A,17,75)	RS1/16SS681J	R 5633 (A,103,60)	RS1/16S473J
	R 5506 (A,10,87)	RS1/16S101J	R 5634 (A,132,71)	RS1/16S473J
A	R 5507 (A,13,71)	RS1/16SS472J	R 5635 (A,102,64)	RS1/16S473J
	R 5508 (A,8,65)	RS1/16S3302D	R 5636 (A,139,71)	RS1/16S473J
	R 5509 (A,57,64)	RS1/16S6800D	R 5637 (A,139,66)	RS1/16S103J
	R 5510 (A,11,60)	RS1/16S223J	R 5638 (A,131,65)	RS1/16S103J
	R 5512 (A,52,64)	RS1/16S27R0D	R 5639 (A,103,75)	RS1/16S471J
	R 5513 (A,54,64)	RS1/16S10R0D	R 5640 (A,110,75)	RS1/16S102J
	R 5514 (A,56,63)	RS1/16S1000D	R 5641 (A,117,76)	RAB4CQ102J
	R 5515 (A,59,66)	RS1/16S82R0F	R 5642 (A,108,68)	RS1/16S104J
	R 5516 (A,58,70)	RS1/16S56R0D	R 5643 (A,112,75)	RS1/16S473J
	R 5517 (A,57,70)	RS1/16S47R0D	R 5644 (A,108,71)	RS1/16S103J
B	R 5518 (A,56,70)	RS1/16S36R0D	R 5646 (A,103,65)	RS1/16S473J
	R 5519 (A,54,70)	RS1/16S33R0F	R 5647 (A,140,42)	RS1/16S103J
	R 5520 (A,53,70)	RS1/16S27R0D	R 5648 (A,140,40)	RS1/16S821J
	R 5521 (A,51,70)	RS1/16S1800D	R 5649 (A,115,50)	RS1/16S473J
	R 5522 (A,50,70)	RS1/16S82R0F	R 5650 (A,113,53)	RS1/16S473J
	R 5523 (A,49,70)	RS1/16S12R0F	R 5651 (A,122,52)	RS1/16S473J
	R 5524 (A,8,62)	RS1/16S5602D	R 5652 (A,130,57)	RS1/16S470J
	R 5525 (A,9,60)	RS1/16S101J	R 5653 (A,133,55)	RS1/16S470J
	R 5526 (A,8,52)	RS1/16SS153J	R 5654 (A,130,70)	RS1/16S473J
	R 5527 (A,14,52)	RS1/16S153J	R 5655 (A,115,53)	RS1/16S470J
C	R 5528 (A,11,55)	RS1/16SS0R0J	R 5656 (A,131,68)	RS1/16S470J
	R 5529 (A,12,52)	RS1/16S0R0J	R 5657 (A,132,62)	RS1/16S221J
	R 5530 (A,32,66)	RS1/16SS102J	R 5658 (A,131,67)	RS1/16S221J
	R 5531 (A,9,58)	RS1/16S100J	R 5659 (A,131,73)	RS1/16S473J
	R 5532 (A,11,57)	RS1/16SS100J	R 5660 (A,135,71)	RS1/16S221J
	R 5533 (A,9,52)	RS1/16S0R0J	R 5668 (A,133,53)	RS1/16S473J
	R 5534 (A,11,52)	RS1/16S0R0J	R 5669 (A,136,57)	RS1/16S473J
	R 5601 (A,144,48)	RS1/16S103J	R 5671 (A,130,73)	RS1/16S470J
	R 5602 (A,144,44)	RS1/16S473J	R 5701 (A,148,64)	RS1/16S0R0J
	R 5603 (A,112,50)	RS1/16S103J	R 5702 (A,147,59)	RS1/16S0R0J
D	R 5604 (A,120,45)	RS1/16S0R0J	R 5703 (A,142,60)	RS1/16S103J
	R 5605 (A,147,48)	RS1/16S103J	R 5704 (A,142,64)	RS1/16S103J
	R 5606 (A,147,44)	RS1/16S473J	R 5705 (A,140,60)	RS1/16S103J
	R 5607 (A,125,46)	RS1/16S124J	R 5706 (A,140,64)	RS1/16S103J
	R 5608 (A,117,47)	RS1/16S102J	R 5707 (A,145,61)	RS1/16S105J
	R 5609 (A,109,49)	RS1/16S473J	R 5708 (A,145,65)	RS1/16S105J
	R 5610 (A,107,51)	RS1/16S221J	R 5709 (A,146,71)	RS1/16S102J
	R 5611 (A,108,48)	RS1/16S221J	R 5710 (A,146,69)	RS1/16S102J
	R 5612 (A,110,47)	RS1/16S221J	R 5804 (A,119,101)	RAB4CQ101J
	R 5613 (A,112,53)	RS1/16S471J	R 5805 (A,106,99)	RS1/16S102J
	R 5614 (A,108,55)	RS1/16S471J	R 5806 (A,104,97)	RS1/16S102J
	R 5615 (A,108,57)	RS1/16S471J	R 5807 (A,103,97)	RS1/16S102J
E	R 5616 (A,126,50)	RS1/16S471J	R 5808 (A,124,103)	RS1/16S473J
	R 5617 (A,125,54)	RS1/16S471J	R 5811 (A,114,103)	RS1/16S471J
	R 5618 (A,127,50)	RS1/16S471J	R 5812 (A,112,102)	RS1/16S473J
	R 5619 (A,127,54)	RS1/16S471J	R 5813 (A,148,80)	RS1/16S101J
	R 5620 (A,128,54)	RS1/16S471J	R 5814 (A,146,108)	RS1/16SS101J
	R 5621 (A,130,54)	RS1/16S470J	R 5815 (A,146,80)	RS1/16S473J
	R 5622 (A,107,60)	RS1/16S0R0J	R 5816 (A,142,80)	RS1/16S101J
	R 5623 (A,131,52)	RS1/16S470J	R 5817 (A,141,106)	RS1/16SS101J
	R 5624 (A,105,60)	RS1/16S105J	R 5818 (A,104,87)	RS1/16S1500D
	R 5625 (A,105,58)	RS1/16S105J	R 5819 (A,104,85)	RS1/16S0R0J
	R 5626 (A,132,58)	RS1/16S471J	R 5820 (A,127,96)	RAB4CQ101J
F	R 5627 (A,133,60)	RS1/16S471J	R 5821 (A,141,80)	RS1/16S101J
	R 5628 (A,136,58)	RS1/16S473J	R 5822 (A,102,87)	RS1/16S1500D
	R 5629 (A,131,62)	RS1/16S221J	R 5823 (A,102,85)	RS1/16S0R0J
	R 5630 (A,103,57)	RS1/16S153J	R 5824 (A,127,93)	RAB4CQ101J

5		6		7		8	
<u>Circuit Symbol and No.</u>		<u>Part No.</u>		<u>Circuit Symbol and No.</u>		<u>Part No.</u>	
R 5825	(A,140,108)	RS1/16S473J		R 5952	(A,18,6)	RS1/16S271J	
R 5826	(A,101,87)	RS1/16S1500D		R 5953	(A,151,6)	RS1/16S271J	
R 5827	(A,101,85)	RS1/16S0R0J		R 5954	(A,148,6)	RS1/16S271J	
R 5828	(A,139,108)	RS1/16S473J		R 5971	(A,84,9)	RS1/16S151J	A
R 5829	(A,136,78)	RS1/16SS101J		R 5972	(A,84,6)	RS1/16S391J	
R 5831	(A,137,108)	RS1/16S473J		R 5981	(A,86,9)	RS1/16S271J	
R 5832	(A,126,88)	RAB4CQ101J		R 5982	(A,86,6)	RS1/16S271J	
R 5833	(A,105,90)	RS1/16S680J		<u>CAPACITORS</u>			
R 5834	(A,130,79)	RS1/16SS101J		C 5001	(A,121,31)	CKSRYB102K50	
R 5835	(A,136,107)	RS1/16SS101J		C 5002	(A,116,39)	CKSRYB102K50	
R 5836	(A,126,85)	RAB4CQ101J		C 5003	(A,120,39)	CKSRYB102K50	
R 5837	(A,130,80)	RS1/16SS0R0J		C 5004	(A,121,35)	CKSRYB102K50	
R 5838	(A,131,106)	RS1/16SS101J		C 5101	(A,56,110)	CKSRYB105K16	
R 5839	(A,107,85)	RS1/16S1501D		C 5102	(A,22,110)	CSZS100M10	B
R 5840	(A,130,81)	RS1/16SS0R0J		C 5103	(A,57,110)	CKSRYB105K16	
R 5841	(A,130,82)	RS1/16SS101J		C 5104	(A,76,96)	CKSSYB104K10	
R 5842	(A,125,81)	RS1/16S101J		C 5105	(A,60,87)	CSZS100M16	
R 5843	(A,119,80)	RAB4CQ101J		C 5106	(A,57,92)	CSZSR220M10	
R 5844	(A,115,81)	RAB4CQ101J		C 5107	(A,79,98)	CSZSR330M10	
R 5845	(A,111,81)	RAB4CQ101J		C 5108	(A,57,97)	CSZSR220M10	
R 5846	(A,123,81)	RS1/16S470J		C 5109	(A,65,91)	CSZS100M10	
R 5847	(A,121,81)	RS1/16S470J		C 5110	(A,63,89)	CKSSYB104K10	
R 5848	(A,124,81)	RS1/16S101J		C 5111	(A,65,103)	CSZS100M10	
R 5849	(A,109,101)	RS1/16S0R0J		C 5112	(A,65,104)	CKSSYB104K10	C
R 5850	(A,122,103)	RS1/16S473J		C 5113	(A,70,92)	CKSSYB104K10	
R 5852	(A,122,104)	RS1/16S103J		C 5114	(A,71,95)	CKSRYB105K16	
R 5853	(A,145,115)	RS1/16S0R0J		C 5115	(A,70,97)	CKSSYB104K10	
R 5855	(A,11,116)	RS1/16S0R0J		C 5116	(A,71,100)	CKSRYB105K16	
R 5856	(A,122,100)	RS1/16S0R0J		C 5117	(A,94,89)	CSZS100M16	
R 5857	(A,143,80)	RS1/16S101J		C 5118	(A,95,88)	CKSRYB105K16	
R 5858	(A,145,80)	RS1/16S101J		C 5119	(A,65,86)	CKSRYB104K50	
R 5859	(A,133,107)	RS1/16SS101J		C 5120	(A,20,110)	CSZS100M10	
R 5860	(A,132,108)	RS1/16SS101J		C 5121	(A,73,88)	CKSRYB473K50	
R 5861	(A,131,108)	RS1/16SS101J		C 5122	(A,89,89) 68 μF/6.3 V	CCH1440	D
R 5862	(A,145,106)	RS1/16SS101J		C 5123	(A,78,88)	CCSRCH331J50	
R 5863	(A,145,108)	RS1/16SS101J		C 5124	(A,92,90)	CKSRYB104K50	
R 5864	(A,144,106)	RS1/16SS101J		C 5125	(A,70,84)	CKSRYB104K50	
R 5865	(A,131,79)	RS1/16SS101J		C 5126	(A,68,85)	CSZS100M16	
R 5866	(A,133,80)	RS1/16SS101J		C 5127	(A,75,85)	CKSRYB103K50	
R 5867	(A,133,78)	RS1/16SS101J		C 5128	(A,77,85)	CCSRCH101J50	
R 5868	(A,135,80)	RS1/16SS101J		C 5130	(A,78,82)	CKSRYB103K50	
R 5869	(A,134,78)	RS1/16SS101J		C 5131	(A,75,82)	CKSRYB393K50	
R 5870	(A,134,80)	RS1/16SS101J		C 5132	(A,71,84)	CKSRYB393K50	
R 5871	(A,144,108)	RS1/16SS101J		C 5133	(A,93,81)	CKSRYB103K50	
R 5872	(A,143,106)	RS1/16SS101J		C 5134	(A,80,80)	CKSRYB104K50	
R 5873	(A,142,108)	RS1/16SS101J		C 5135	(A,88,80) 10 μF	CCG1223	E
R 5874	(A,135,108)	RS1/16SS101J		C 5136	(A,66,78)	CKSRYB393K50	
R 5875	(A,135,107)	RS1/16SS101J		C 5137	(A,91,80) 10 μF	CCG1223	
R 5876	(A,134,108)	RS1/16SS101J		C 5138	(A,78,53)	CKSRYB224K16	
R 5878	(A,127,100)	RS1/16S0R0J		C 5139	(A,81,78)	CKSRYB105K16	
R 5901	(A,136,11)	RS1/16S104J		C 5140	(A,81,77)	CKSRYB102K50	
R 5902	(A,134,9)	RS1/16S103J		C 5141	(A,91,73) 10 μF	CCG1223	
R 5903	(A,134,8)	RS1/16S0R0J		C 5143	(A,88,73)	CKSRYB103K50	
R 5904	(A,128,8)	RS1/16S0R0J		C 5144	(A,66,74)	CKSRYB102K50	
R 5905	(A,128,6)	RS1/16S822J		C 5145	(A,80,75)	CKSRYB104K50	
R 5931	(A,15,7)	RS1/16S151J		C 5146	(A,65,71)	CKSRYB105K16	F
R 5932	(A,18,7)	RS1/16S391J		C 5147	(A,82,71)	CKSRYB105K16	
R 5933	(A,151,7)	RS1/16S151J		C 5148	(A,80,71)	CKSRYB103K50	
R 5934	(A,148,7)	RS1/16S391J					
R 5951	(A,15,6)	RS1/16S271J					

	1	2	3	4
	<u>Circuit Symbol and No.</u>	<u>Part No.</u>	<u>Circuit Symbol and No.</u>	<u>Part No.</u>
	C 5149 (A,71,68)	CKSRYB104K50	C 5406 (A,29,110)	CKSSYB104K10
	C 5150 (A,76,60)	CKSYB475K16	C 5407 (A,38,110)	CCSSCH4R0C50
	C 5151 (A,81,67)	CKSRYB472K50	C 5410 (A,49,108)	CKSSYB104K10
A	C 5152 (A,79,67)	CKSRYB472K50	C 5411 (A,46,108)	CKSSYB104K10
	C 5153 (A,96,66)	CKSRYB104K50	C 5412 (A,42,108)	CKSSYB104K10
	C 5154 (A,76,58)	CKSRYB103K50	C 5413 (A,40,111)	CKSSYB103K16
	C 5155 (A,72,66)	CKSRYB104K50	C 5414 (A,41,108)	CCSSCH181J25
	C 5156 (A,71,66)	CKSRYB104K50	C 5415 (A,40,108)	CKSSYB104K10
	C 5157 (A,69,66)	CKSRYB104K50	C 5416 (A,38,108)	CKSSYB104K10
	C 5158 (A,95,68) 33 μ F/10 V	CCH1586	C 5417 (A,27,112)	CKSSYB104K10
	C 5159 (A,94,62)	CKSRYB105K16	C 5418 (A,26,113)	CKSSYB104K10
	C 5160 (A,81,61)	CKSRYB104K50	C 5419 (A,37,108)	CKSSYB104K10
	C 5161 (A,83,61)	CKSQYF105Z25	C 5420 (A,36,108)	CKSSYB104K10
	C 5163 (A,70,60)	CKSQYF105Z25	C 5421 (A,25,113)	CKSSYB104K10
B	C 5164 (A,68,60)	CKSQYF105Z25	C 5422 (A,24,113)	CKSSYB104K10
	C 5165 (A,66,60)	CKSQYF225Z16	C 5423 (A,34,108)	CKSSYB104K10
	C 5166 (A,64,60)	CKSQYF225Z16	C 5424 (A,16,106)	CKSSYB104K10
	C 5167 (A,84,68)	CKSRYB105K16	C 5425 (A,18,108)	CKSSYB104K10
	C 5168 (A,68,66)	CKSRYB105K16	C 5426 (A,18,105)	CKSSYB104K10
	C 5169 (A,83,58)	CKSQYF105Z25	C 5427 (A,19,106)	CKSSYB104K10
	C 5170 (A,62,60)	CKSQYF105Z25	C 5428 (A,32,108)	CKSSYB104K10
	C 5201 (A,80,30) 10 μ F	CCG1223	C 5429 (A,28,109)	CKSSYB104K10
	C 5202 (A,80,34) 10 μ F	CCG1223	C 5430 (A,27,109)	CKSSYB104K10
	C 5204 (A,64,27)	CKSRYB104K50	C 5431 (A,28,108)	CKSSYB104K10
	C 5205 (A,60,30)	CKSRYB105K16	C 5432 (A,26,108)	CKSSYB104K10
C	C 5206 (A,57,43)	CKSRYB104K50	C 5433 (A,24,108)	CKSSYB104K10
	C 5207 (A,50,29)	CKSRYB104K50	C 5434 (A,52,105)	CKSSYB104K10
	C 5208 (A,50,33)	CKSRYB104K50	C 5435 (A,52,103)	CKSSYB104K10
	C 5209 (A,50,27)	CKSRYB105K16	C 5436 (A,22,104)	CKSSYB104K10
	C 5211 (A,50,30)	CKSRYB474K16	C 5437 (A,19,99)	CKSSYB104K10
	C 5212 (A,50,34)	CKSRYB332K50	C 5438 (A,52,100)	CKSSYB104K10
	C 5213 (A,50,32)	CKSRYB105K16	C 5439 (A,22,98)	CKSSYB104K10
	C 5214 (A,51,37)	CKSRYB152K50	C 5440 (A,52,98)	CKSSYB104K10
	C 5215 (A,59,35)	CKSRYB104K50	C 5441 (A,21,96)	CKSSYB104K10
	C 5216 (A,53,29)	CKSRYB103K50	C 5442 (A,52,94)	CKSSYB104K10
D	C 5217 (A,39,33)	CKSRYB473K50	C 5443 (A,19,94)	CKSSYB104K10
	C 5218 (A,38,28)	CKSRYB473K50	C 5444 (A,21,93)	CKSSYB104K10
	C 5219 (A,38,30)	CCSRCH221J50	C 5445 (A,52,92)	CKSSYB104K10
	C 5220 (A,42,24) 10 μ F	CCG1223	C 5447 (A,21,90)	CKSSYB104K10
	C 5221 (A,43,13) 10 μ F	CCG1223	C 5448 (A,21,88)	CKSSYB104K10
	C 5222 (A,35,12)	CKSRYB105K16	C 5449 (A,52,88)	CKSSYB104K10
	C 5223 (A,35,13)	CKSRYB105K16	C 5450 (A,52,86)	CKSSYB104K10
	C 5224 (A,61,15)	CKSRYB104K50	C 5451 (A,21,87)	CKSSYB104K10
	C 5225 (B,72,10) 22 pF	CCG1140	C 5453 (A,21,86)	CKSSYB104K10
	C 5226 (A,67,7)	CKSRYB223K50	C 5454 (A,22,84)	CKSSYB104K10
	C 5301 (A,74,112) 10 μ F	CCG1171	C 5455 (A,22,82)	CKSSYB104K10
E	C 5302 (A,69,110)	CCSRCH470J50	C 5456 (A,52,82)	CKSSYB104K10
	C 5303 (A,67,109)	CCSRCH680J50	C 5457 (A,21,80)	CKSRYB105K16
	C 5304 (A,65,114)	CCSRCH5R0C50	C 5458 (A,50,77)	CKSSYB104K10
	C 5305 (A,65,109)	CCSRCH470J50	C 5459 (A,43,76)	CKSSYB104K10
	C 5306 (A,61,109)	CKSRYB104K50	C 5460 (A,42,77)	CKSSYB104K10
	C 5307 (A,62,106)	CSZSR330M10	C 5461 (A,40,77)	CKSSYB104K10
	C 5308 (A,85,110) 10 μ F	CCG1171	C 5462 (A,36,77)	CKSSYB104K10
	C 5309 (A,85,108) 10 μ F	CCG1171	C 5463 (A,31,77)	CKSSYB104K10
	C 5310 (A,78,110)	CKSRYB104K50	C 5464 (A,30,77)	CKSSYB104K10
	C 5401 (A,46,110)	CCSSCH9R0D50	C 5465 (A,48,77)	CKSSYB104K10
F	C 5402 (A,44,110)	CCSSCH9R0D50	C 5466 (A,52,75)	CSZSR330M10
	C 5403 (A,41,110)	CKSSYB104K10	C 5467 (A,50,108)	CKSSYB104K10
	C 5404 (A,32,110)	CKSSYB104K10	C 5468 (A,10,116)	CKSRYB104K50
	C 5405 (A,30,110)	CKSSYB104K10	C 5469 (A,17,103)	CKSRYB104K50

5		6		7		8	
<u>Circuit Symbol and No.</u>		<u>Part No.</u>		<u>Circuit Symbol and No.</u>		<u>Part No.</u>	
C 5503	(A,14,100)	CSZS100M16		C 5933	(A,142,9)	CKSRYB104K50	
C 5505	(A,11,77)	CKSSYB104K10		C 5934	(A,156,9)	CKSRYB104K50	
C 5507	(A,11,87)	CKSSYB104K10		C 5971	(A,77,12)	CKSRYB104K50	
C 5508	(A,13,76)	CKSRYB105K16		C 5972	(A,89,12)	CKSRYB104K50	
C 5509	(A,58,82)	CKSSYB104K10					
C 5510	(A,14,71)	CKSRYB105K16					
C 5511	(A,8,70)	CKSSYB104K10					
C 5512	(A,13,61)	CKSRYB104K50					
C 5513	(A,10,72)	CSZSR220M16					
C 5514	(A,8,79) 4.7 μF	CCG1111					
C 5515	(A,8,67)	CKSRYB105K16					
C 5516	(A,61,74)	CKSSYB104K10					
C 5517	(A,62,77)	CSZS100M16					
C 5518	(A,12,60)	CKSRYB104K50					
C 5519	(A,27,72)	CKSSYB104K10					
C 5520	(A,25,72)	CKSSYB104K10					
C 5521	(A,20,74)	CKSRYB104K50					
C 5522	(A,14,68)	CKSRYB104K50					
C 5523	(A,29,67)	CSZSR220M16					
C 5524	(A,24,69)	CSZS100M16					
C 5525	(A,21,67)	CKSQYF334Z25					
C 5526	(A,16,68) 4.7 μF	CCG1111					
C 5527	(A,30,65)	CKSSYB104K10					
C 5528	(A,26,65)	CKSSYB104K10					
C 5529	(A,22,65)	CKSRYB104K50					
C 5530	(A,19,67)	CKSRYB104K50					
C 5602	(A,119,47)	CKSRYB105K16					
C 5603	(A,136,44)	CSZSC101M10					
C 5604	(A,120,55)	CKSRYB104K50					
C 5605	(A,108,62)	CKSRYB104K50					
C 5606	(A,136,61)	CKSSYB104K10					
C 5607	(A,121,75)	CKSRYB104K50					
C 5608	(A,101,69)	CKSRYB104K50					
C 5609	(A,130,43)	CKSRYB104K50					
C 5610	(A,132,41)	CSZSC101M10					
C 5701	(A,139,62)	CKSSYB102K50					
C 5702	(A,147,62)	CKSSYB102K50					
C 5703	(A,145,67)	CKSSYB102K50					
C 5704	(A,148,69)	CKSSYB472K25					
C 5705	(A,147,67)	CKSSYB472K25					
C 5801	(A,102,81)	CSZSR330M10					
C 5802	(A,143,55)	CSZSC101M10					
C 5803	(A,139,55)	CKSRYB105K16					
C 5804	(A,104,79)	CKSRYB105K16					
C 5805	(A,107,81)	CSZSR330M10					
C 5808	(A,105,82)	CKSRYB105K16					
C 5809	(A,111,100)	CKSSYB104K10					
C 5810	(A,138,80)	CKSRYB105K16					
C 5811	(A,106,88)	CKSRYB105K16					
C 5812	(A,106,85)	CKSSYB104K10					
C 5813	(A,113,81)	CKSSYB104K10					
C 5814	(A,119,82)	CKSSYB104K10					
C 5815	(A,145,75)	CKSYB105K16					
C 5816	(A,137,53)	CKSYB105K16					
C 5824	(A,101,100)	CCSRCH101J50					
C 5825	(A,146,115)	CKSRYB105K10					
C 5901	(A,137,6) 4.7 μF	CCG1201					
C 5903	(A,119,8)	CKSRYB104K50					
C 5931	(A,24,9)	CKSRYB104K50					
C 5932	(A,9,9)	CKSRYB104K50					

D
Unit Number : YWX5005
Unit Name : DVD Core Unit

MISCELLANEOUS

IC 1003	(B,72,42) IC	S-80859CNNB-B9K
IC 1004	(B,75,48) Regulator IC	NJM2880U1-05
IC 1005	(B,61,58) IC	S-L2980A50MC-C7J
IC 1007	(B,82,54) IC	NJM2885DL1-33
IC 1008	(B,80,63) IC	R1232D121B
IC 1201	(A,26,15) IC	BD7996EFV
IC 1301	(B,90,27) IC	TC7SZ125FU
IC 1351	(B,86,27) IC	TC7SZ08FU
IC 1352	(B,79,13) IC	TC74LCX16373FT
IC 1401	(B,61,32) Flash ROM Unit	CWW1434
IC 1402	(B,37,10) Flash ROM Unit	CWW1435
IC 1403	(B,47,29) IC	TC7SZ32FU
IC 1481	(B,60,12) IC	EDS1232AATA-75
IC 1501	(A,60,19) IC	MN2DS0016AAUB
IC 1801	(A,70,52) D/A Converter	PCM1753DBQ
Q 1101	(B,62,50) Transistor	2SC4081
Q 1102	(B,68,50) Transistor	2SC4081
Q 1103	(B,60,45) Transistor	2SB1260
Q 1104	(B,66,45) Transistor	2SB1260
D 1002	(A,88,66) Diode	1SR154-400
D 1301	(B,12,10) Chip LED	CL2051RXTU
L 1004	(B,63,60) Inductor	CTF1472
L 1005	(B,81,49) Inductor	CTF1465
L 1006	(B,86,64) Inductor	CTF1678
L 1007	(B,74,63) Inductor	CTF1623
L 1101	(B,66,54) Inductor	CTF1305
L 1482	(B,77,29) Inductor	CTF1473
L 1502	(A,71,46) Inductor	CTF1378
L 1503	(A,60,47) Inductor	CTF1487
L 1504	(A,35,10) Inductor	CTF1387
L 1511	(A,63,3) Inductor	CTF1680
L 1601	(A,41,23) Inductor	CTF1473
L 1602	(A,55,42) Inductor	CTF1473
L 1603	(A,54,42) Inductor	CTF1473
L 1604	(A,52,42) Inductor	CTF1473
L 1605	(A,38,32) Inductor	CTF1395
L 1671	(A,41,19) Inductor	CTF1473
L 1672	(A,41,20) Inductor	CTF1473
L 1673	(A,41,21) Inductor	CTF1473
L 1801	(A,70,61) Inductor	CTF1473
L 1901	(A,91,73) Inductor	CTF1487
L 1902	(A,91,62) Inductor	CTF1558
X 1501	(A,40,15) Crystal 27.000 MHz	CSS1714
VR1671	(A,35,20) Semi-fixed 10 kΩ(B)	CCP1448
EF1501	(A,68,46) EMI Filter	DTL1106
EF1502	(A,61,44) EMI Filter	DTL1106
EF1901	(A,87,74) EMI Filter	DTF1106
EF1903	(A,91,64) EMI Filter	DTL1106

RESISTORS

	1		2		3		4	
	<u>Circuit Symbol and No.</u>		<u>Part No.</u>		<u>Circuit Symbol and No.</u>		<u>Part No.</u>	
A	R 1011	(B,72,40)	RS1/16SS104J		R 1502	(A,85,3)	RS1/16SS104J	
	R 1014	(B,82,61)	RS1/16SS473J		R 1503	(A,71,2)	RS1/16SS560J	
	R 1015	(B,76,60)	RS1/16SS101J		R 1504	(A,87,23)	RAB4CQ104J	
	R 1101	(B,63,52)	RS1/16SS391J		R 1505	(B,68,3)	RAB4CQ560J	
	R 1102	(B,62,47)	RS1/16SS511J		R 1506	(A,87,19)	RAB4CQ104J	
	R 1103	(B,67,53)	RS1/16SS391J		R 1507	(B,65,3)	RAB4CQ560J	
	R 1104	(B,69,47)	RS1/16SS561J		R 1508	(A,86,16)	RAB4CQ104J	
	R 1107	(B,61,53)	RS1/16SS6R8J		R 1509	(A,86,12)	RAB4CQ104J	
	R 1108	(B,65,53)	RS1/16SS6R8J		R 1510	(A,78,11)	RAB4CQ104J	
	R 1109	(B,57,40)	RS1/10S1R5J		R 1511	(A,88,4)	RS1/16SS104J	
	R 1110	(B,63,40)	RS1/10S1R5J		R 1512	(B,59,3)	RAB4CQ560J	
	R 1111	(B,70,40)	RS1/10S1R5J		R 1513	(A,44,4)	RS1/16SS102J	
	R 1112	(B,64,40)	RS1/10S1R5J		R 1514	(A,80,7)	RAB4CQ104J	
B	R 1113	(B,61,40)	RS1/10S1R5J		R 1515	(A,43,3)	RS1/16SS102J	
	R 1114	(B,59,40)	RS1/10S1R5J		R 1516	(A,76,8)	RS1/16SS103J	
	R 1115	(B,66,40)	RS1/10S1R5J		R 1518	(A,85,5)	RS1/16SS104J	
	R 1116	(B,68,40)	RS1/10S1R5J		R 1520	(A,35,8)	RS1/16SS221J	
	R 1117	(B,64,49)	RS1/16SS104J		R 1521	(A,41,11)	RAB4CQ101J	
	R 1118	(B,70,49)	RS1/16SS104J		R 1522	(B,56,3)	RAB4CQ560J	
	R 1202	(A,19,12)	RS1/16SS221J		R 1523	(A,39,11)	RS1/16SS101J	
	R 1203	(A,19,11)	RS1/16SS221J		R 1524	(A,39,12)	RS1/16SS101J	
	R 1210	(A,30,27)	RS1/16SS101J		R 1525	(B,53,3)	RAB4CQ560J	
	R 1211	(B,26,18)	RS1/16SS3R9J		R 1526	(A,36,10)	RS1/16SS270J	
	R 1212	(B,27,18)	RS1/16SS3R9J		R 1528	(A,43,14)	RS1/16SS101J	
C	R 1214	(B,28,18)	RS1/16SS3R9J		R 1529	(B,53,22)	RAB4CQ560J	
	R 1215	(B,29,18)	RS1/16SS3R9J		R 1530	(A,43,15)	RS1/16SS105J	
	R 1216	(B,30,18)	RS1/16SS3R9J		R 1531	(B,50,22)	RAB4CQ560J	
	R 1217	(B,31,18)	RS1/16SS3R9J		R 1532	(A,77,22)	RS1/16SS103J	
	R 1219	(A,20,27)	RS1/16SS101J		R 1533	(A,76,27)	RS1/16SS103J	
	R 1223	(A,19,4)	RS1/16SS753J		R 1534	(A,77,26)	RS1/16SS103J	
	R 1225	(A,19,7)	RS1/16SS753J		R 1535	(A,63,36)	RS1/16SS221J	
	R 1227	(B,13,21)	RS1/16SS3R9J		R 1537	(A,67,40)	RS1/16SS221J	
	R 1228	(B,14,21)	RS1/16SS3R9J		R 1538	(A,66,41)	RS1/16SS221J	
	R 1229	(B,15,21)	RS1/16SS3R9J		R 1540	(A,70,43)	RS1/16SS102J	
	R 1230	(B,16,21)	RS1/16SS3R9J		R 1541	(A,64,41)	RS1/16SS472J	
D	R 1231	(B,17,21)	RS1/16SS3R9J		R 1542	(A,60,36)	RS1/16SS223J	
	R 1232	(B,18,21)	RS1/16SS3R9J		R 1543	(A,59,37)	RS1/16SS332J	
	R 1233	(B,19,21)	RS1/16SS3R9J		R 1544	(A,57,41)	RS1/16SS183J	
	R 1234	(B,20,21)	RS1/16SS3R9J		R 1545	(A,61,36)	RS1/16SS223J	
	R 1240	(B,32,18)	RS1/16SS3R9J		R 1546	(A,59,42)	RS1/16SS104J	
	R 1241	(B,33,18)	RS1/16SS3R9J		R 1547	(A,59,41)	RS1/16SS473J	
	R 1242	(B,34,18)	RS1/16SS3R9J		R 1548	(A,59,36)	RS1/16SS104J	
	R 1243	(B,37,18)	RS1/16SS3R9J		R 1554	(A,60,39)	RS1/16SS221J	
	R 1244	(B,36,18)	RS1/16SS3R9J		R 1555	(A,57,38)	RS1/16SS221J	
	R 1245	(B,35,18)	RS1/16SS3R9J		R 1556	(A,43,7)	RS1/16SS104J	
E	R 1301	(B,13,13)	RS1/16SS391J		R 1557	(A,57,39)	RS1/16SS104J	
	R 1302	(B,15,13)	RS1/16SS471J		R 1559	(A,63,41)	RS1/16SS221J	
	R 1304	(B,87,23)	RS1/16SS563J		R 1560	(A,68,42)	RAB4CQ104J	
	R 1305	(B,86,23)	RS1/16SS243J		R 1562	(A,64,38)	RAB4CQ104J	
	R 1306	(B,85,23)	RS1/16SS683J		R 1565	(A,73,36)	RS1/16SS103J	
	R 1307	(B,88,23)	RS1/16SS243J		R 1566	(A,72,36)	RS1/16SS103J	
	R 1314	(B,86,21)	RAB4CQ822J		R 1567	(B,68,22)	RAB4CQ560J	
	R 1351	(B,84,25)	RS1/16SS331J		R 1568	(B,65,22)	RAB4CQ560J	
	R 1401	(B,72,33)	RS1/16SS221J		R 1569	(B,62,3)	RAB4CQ560J	
	R 1402	(B,50,27)	RS1/16SS104J		R 1570	(B,60,22)	RAB4CQ560J	
	R 1405	(B,48,10)	RS1/16SS221J		R 1571	(B,57,22)	RAB4CQ560J	
F	R 1406	(B,25,4)	RS1/16SS104J		R 1573	(B,63,19)	RS1/16SS560J	
	R 1407	(B,25,6)	RS1/16SS104J		R 1582	(A,81,25)	RS1/16SS103J	
	R 1410	(B,47,31)	RS1/16SS104J		R 1583	(A,81,27)	RS1/16SS103J	
	R 1501	(B,71,3)	RAB4CQ560J		R 1584	(A,77,28)	RS1/16SS103J	

5		6		7		8	
<u>Circuit Symbol and No.</u>		<u>Part No.</u>		<u>Circuit Symbol and No.</u>		<u>Part No.</u>	
R 1601	(A,41,25)	RS1/16SS123J		C 1207	(B,16,10)	CKSQYB225K10	
R 1602	(A,39,24)	RS1/16SS123J		C 1209	(A,32,17)	CKSSYB104K10	
R 1607	(A,41,27)	RS1/16SS105J		C 1210	(A,32,19)	CKSSYB471K50	
R 1609	(A,37,28)	RN1/16SE1002D		C 1211	(A,19,16)	CKSSYB103K16	A
R 1610	(A,43,28)	RS1/16SS222J		C 1212	(A,19,8)	CKSSYB104K10	
R 1613	(A,39,28)	RS1/16SS223J		C 1213	(A,19,9)	CKSSYB104K10	
R 1614	(A,46,35)	RS1/16SS105J		C 1301	(B,90,25)	CKSSYB104K10	
R 1615	(A,43,32)	RS1/16SS105J		C 1302	(B,88,25)	CKSSYB104K10	
R 1616	(A,53,36)	RS1/16SS2002D		C 1351	(B,86,25)	CKSSYB104K10	
R 1672	(A,43,21)	RS1/16SS303J		C 1352	(B,75,19)	CKSSYB104K10	
R 1673	(A,37,22)	RS1/16SS183J		C 1353	(B,81,19)	CKSSYB104K10	
R 1674	(A,34,23)	RS1/16SS562J		C 1354	(B,74,7)	CKSSYB104K10	
R 1705	(A,55,57)	RS1/16SS101J		C 1355	(B,85,8)	CKSSYB104K10	
R 1706	(A,52,56)	RS1/16SS201J		C 1356	(B,83,28)	CKSYB106K6R3	
R 1707	(A,55,51)	RS1/16SS101J		C 1401	(B,72,31)	CKSSYB103K16	B
R 1708	(A,52,50)	RS1/16SS201J		C 1402	(B,49,33)	CKSSYB104K10	
R 1715	(A,60,56)	RS1/16SS201J		C 1403	(B,81,27)	CKSQYB475K6R3	
R 1716	(A,62,57)	RS1/16SS101J		C 1405	(B,48,8)	CKSSYB103K16	
R 1719	(A,60,50)	RS1/16SS201J		C 1406	(B,25,15)	CKSSYB104K10	
R 1720	(A,62,51)	RS1/16SS101J		C 1407	(B,74,27)	CKSQYB475K6R3	
R 1803	(A,72,56)	RS1/16SS821J		C 1408	(B,47,27)	CKSSYB104K10	
R 1804	(A,74,56)	RS1/16SS821J		C 1481	(B,72,5)	CKSSYB104K10	
R 1805	(A,72,61)	RS1/16SS104J		C 1482	(B,72,7)	CKSSYB104K10	
R 1806	(A,74,61)	RS1/16SS104J		C 1483	(B,67,5)	CKSSYB104K10	
R 1903	(A,89,52)	RS1/16SS0R0J		C 1484	(B,63,5)	CKSSYB104K10	
R 1904	(A,90,59)	RS1/16S0R0J		C 1485	(B,56,5)	CKSSYB104K10	C
<u>CAPACITORS</u>				C 1486	(B,53,5)	CKSSYB104K10	
C 1019	(B,58,59)	CCSSCH101J50		C 1487	(B,51,5)	CKSSYB104K10	
C 1020	(B,58,57)	CKSSYB104K10		C 1488	(B,49,5)	CKSSYB104K10	
C 1021	(B,60,60)	CKSRYB105K10		C 1489	(B,68,19)	CKSSYB104K10	
C 1022	(B,79,47)	CKSSYB103K16		C 1491	(B,77,27)	CKSQYB106K6R3	
C 1023	(B,79,49)	CKSSYB104K10		C 1492	(B,55,19)	CKSSYB104K10	
C 1024	(B,71,48)	CKSQYB475K10		C 1493	(B,52,19)	CKSSYB104K10	
C 1025	(B,64,58)	CKSRYB105K10		C 1494	(B,65,19)	CKSSYB104K10	
C 1026	(B,12,19)	CKSSYB104K10		C 1496	(B,65,5)	CKSSYB102K50	
C 1027	(A,90,53)	CCSSCH101J50		C 1497	(B,61,19)	CKSSYB102K50	D
C 1028	(B,89,56)	CKSRYB105K10		C 1498	(B,77,26)	CKSSYB102K50	
C 1029	(B,89,52)	CKSQYB225K10		C 1499	(B,49,4)	CKSSYB102K50	
C 1030	(B,84,59)	CKSQYB106K6R3		C 1501	(A,68,44)	CKSQYB106K6R3	
C 1031	(B,85,59)	CKSQYB106K6R3		C 1502	(A,58,43)	CKSQYB106K6R3	
C 1032	(B,82,59)	CKSRYB105K10		C 1503	(A,55,3)	CKSSYB104K10	
C 1033	(B,73,59)	CKSQYB106K6R3		C 1504	(A,58,3)	CKSSYB104K10	
C 1034	(B,73,57)	CKSQYB106K6R3		C 1505	(A,53,3)	CKSSYB104K10	
C 1035	(B,45,27)	CCSSCH101J50		C 1506	(A,60,3)	CKSSYB104K10	
C 1101	(B,61,54) 10 μF	CCG1192		C 1507	(A,68,2)	CKSSYB104K10	
C 1102	(B,58,50) 100 μF	CCG1232		C 1508	(A,65,3)	CKSSYB104K10	
C 1103	(B,65,50) 100 μF	CCG1232		C 1509	(A,69,2)	CKSSYB104K10	E
C 1104	(B,63,43)	CKSSYB104K10		C 1510	(A,43,11)	CKSSYB104K10	
C 1105	(B,70,43)	CKSSYB104K10		C 1511	(A,76,7)	CKSSYB104K10	
C 1106	(B,63,45)	CKSSYB103K16		C 1512	(A,76,11)	CKSSYB104K10	
C 1107	(B,70,45)	CKSSYB103K16		C 1513	(A,43,10)	CKSSYB104K10	
C 1108	(A,35,36)	CKSSYB103K16		C 1514	(A,76,17)	CKSSYB104K10	
C 1109	(A,36,33)	CKSRYB105K10		C 1515	(A,43,16)	CKSSYB104K10	
C 1110	(A,35,37)	CKSSYB103K16		C 1516	(A,76,15)	CKSSYB104K10	
C 1111	(A,39,33)	CKSRYB105K10		C 1517	(A,43,17)	CKSSYB104K10	
C 1201	(B,21,11)	CEVW101M16		C 1518	(A,37,14)	CCSSCH8R0D50	
C 1202	(B,15,17)	CKSYB475K16		C 1519	(A,37,16)	CCSSCH8R0D50	F
				C 1521	(A,76,24)	CKSSYB104K10	
				C 1522	(A,77,24)	CKSSYB104K10	
				C 1523	(A,58,36)	CKSSYB104K10	

1

Circuit Symbol and No.

2

Part No.

C 1524	(A,57,37)	CKSSYB103K16
C 1525	(A,66,36)	CKSSYB104K10
C 1526	(A,62,40)	CKSSYB103K16
C 1527	(A,63,35)	CKSSYB471K50
C 1528	(A,65,36)	CKSSYB104K10
C 1529	(A,60,38)	CKSSYB103K16
C 1530	(A,59,39)	CKSSYB224K6R3
C 1531	(A,57,42)	CKSSYB123K16
C 1536	(A,76,20)	CKSSYB104K10
C 1537	(A,55,43)	CKSSYB102K50
C 1538	(A,53,43)	CKSSYB102K50
C 1539	(A,57,36)	CKSSYB104K10
C 1540	(A,61,38)	CKSSYB103K16
C 1560	(A,51,3)	CKSSYB104K10
C 1577	(A,77,30)	CKSSYB104K10
C 1601	(A,41,24)	CCSSCH101J50
C 1602	(A,43,24)	CCSSCH101J50
C 1603	(A,37,23)	CCSSCH680J50
C 1604	(A,39,25)	CCSSCH680J50
C 1608	(A,41,26)	CKSSYB103K16
C 1609	(A,43,26)	CKSSYB103K16
C 1610	(A,53,39)	CCSSCH101J50
C 1611	(A,53,37)	CKSSYB562K25
C 1612	(A,55,36)	CKSSYB224K6R3
C 1613	(A,55,37)	CKSSYB224K6R3
C 1614	(A,56,37)	CKSSYB333K16
C 1615	(A,41,30)	CKSRYB105K10
C 1616	(A,48,36)	CKSSYB104K10
C 1617	(A,49,38)	CKSSYB104K10
C 1618	(A,51,38)	CKSSYB104K10
C 1619	(A,51,36)	CKSSYB104K10
C 1620	(A,50,36)	CKSSYB104K10
C 1621	(A,50,38)	CKSSYB104K10
C 1622	(A,52,38)	CKSSYB104K10
C 1623	(A,52,39)	CKSSYB104K10
C 1624	(A,43,27)	CKSSYB103K16
C 1625	(A,56,36)	CKSSYB104K10
C 1626	(A,41,31)	CKSRYB105K10
C 1627	(A,43,23)	CKSSYB104K10
C 1628	(A,54,36)	CKSSYB104K10
C 1629	(A,49,36)	CKSSYB104K10
C 1630	(A,38,30)	CKSQYB106K6R3
C 1671	(A,43,18)	CKSSYB104K10
C 1672	(A,43,19)	CKSSYB104K10
C 1673	(A,37,21)	CKSSYB104K10
C 1674	(A,39,21)	CKSSYB104K10
C 1675	(A,39,19)	CKSRYB105K10
C 1676	(A,37,19)	CKSRYB105K10
C 1677	(A,43,22)	CKSSYB104K10
C 1801	(A,74,52)	CKSSYB104K10
C 1802	(A,67,58) 10 μ F	CCG1192
C 1803	(A,67,56)	CKSSYB104K10
C 1804	(A,69,58) 10 μ F	CCG1192
C 1805	(A,69,56)	CKSSYB104K10
C 1808	(A,72,57)	CCSRCH182J50
C 1809	(A,75,57)	CCSRCH182J50
C 1810	(A,72,59)	CKSQYB475K6R3
C 1811	(A,74,59)	CKSQYB475K6R3
C 1901	(A,84,74)	CKSSYB102K50

3

Circuit Symbol and No.

4

Part No.**E****Unit Number : CWX3154****Unit Name : Compound Unit(A)**

Q 1299	Photo-taransistor	CPT231SCTD
S 1201	Spring Switch(12cm)	CSN1069
S 1202	Spring Switch(8cm)	CSN1069
S 1203	Spring Switch(DISC SENS)	CSN1069
S 1204	Spring Switch(DISC SENS)	CSN1070
S 1205	Spring Switch(8cm)	CSN1070
R 1298		RS1/16S0R0J
R 1299		RS1/16S0R0J

F**Unit Number : CWX3394****Unit Name : Compound Unit(B)**

S 1206	Switch(CLAMP)	CSN1067
--------	---------------	---------

OPT/RCA Unit**Consists of****OPT PCB****RCA PCB****G I****Unit Number :****Unit Name : OPT/RCA Unit****MISCELLANEOUS**

IC 4201	(A,35,16) L-MOS And Gate	TC7SET08FUS1
D 4201	(A,42,16) Diode	UDZS5R6(B)
D 4202	(A,42,11) Diode	UDZS5R6(B)
L 4201	(A,28,14) Inductor	CTF1379
L 4202	(A,59,24) Inductor	CTF1389

RESISTORS

R 4201	(A,24,14)	RS1/16S0R0J
R 4203	(A,25,17)	RS1/16S221J
R 4204	(A,28,17)	RS1/16S621J
R 4205	(A,31,16)	RS1/16S473J
R 4206	(A,32,13)	RS1/16S0R0J
R 4207	(A,38,16)	RS1/16S121J
R 4211	(A,68,6)	RS1/16S0R0J

CAPACITORS

C 4202	(A,28,16)	CCSRCH150J50
C 4203	(A,37,18)	CKSRYB104K50
C 4204	(A,38,13)	CKSYB106K10
C 4207	(A,62,16)	CKSRYB104K50
C 4301	(A,17,13)	CKSRYB102K50

K**Unit Number : CXX2316****Unit Name : Main PCB Unit(SERVICE)**

MISCELLANEOUS

IC 101	IC	BA00CC0WFP
IC 102	IC	BA6247FP
IC 103	Photo-interrupter	GP2L24B
IC 104	IC	TC7W14FU
IC 105	Photo-interrupter	GP2L24B
Q 101	Transistor	DTC124EUA
D 101	Diode	UDZS5R6(B)

RESISTORS

R 101	RS1/16S102J
R 102	RS1/16S3302D
R 103	RS1/16S3900D
R 104	RS1/16S4701D
R 105	RS1/16S471J
R 106	RS1/16S102J
R 107	RS1/16S102J
R 108	RS1/16S102J
R 109	RS1/16S102J
R 110	RS1/16S102J
R 111	RS1/16S562J
R 112	RS1/16S102J
R 113	RS1/16S102J
R 114	RS1/16S102J
R 115	RS1/16S562J
R 116	RS1/16S102J
R 117	RS1/16S472J

CAPACITORS

C 101	CKSYB475K16
C 102	CKSYB475K16
C 103	CKSRYB104K16
C 104	CKSRYB104K16
C 105	CKSRYB223K16
C 106	CKSRYB104K16
C 107	CKSRYB223K16
C 108	CEVW101M16
C 109	CKSRYB104K16
C 110	CCSRCH102J50
C 111	CCSRCH102J50

L

Unit Number : CZW5029
Unit Name : Switch PCB Unit

S 101	Switch(Angel sw)	CSN1068
-------	------------------	---------

M

Unit Number : CZW5028
Unit Name : Volume PCB Unit

VR101	Volume(Angel sense)	CCW1025
-------	---------------------	---------

Miscellaneous Parts List

	Pickup Unit(Service)	CXX2118
M 1	Motor Unit(LOADING)	CXC4912
M 2	Motor(STEPPING)	CXM1364