



NO.	PART NO.	DESCRIPTION	Q'TY	NO.	PART NO.	DESCRIPTION	Q'TY
1	-----	ESCUTCHEON-ASSY	1	2-8	074-1013-00	OUTLET SOCKET	1
1-1	947-0695-32	BACK PLATE-ASSY	1	2-9	074-1302-12	OUTLET SOCKET	1
1-2	370-6538-01 370-6538-02 370-6538-06 370-6538-07 370-6538-08	ESCUTCHEON(PN3005DF) ESCUTCHEON(PN3005DG) ESCUTCHEON(PN3005DH) ESCUTCHEON(PN3005DI) ESCUTCHEON(PN3005DJ)	1	2-10	092-2210-00	ANT-RECEPT	1
1-3	380-5705-01	KNOB	2	2-11	778-3006-00	TAP-SCREW	4
1-4	-----	SW-PWB-ASSY	1	2-12	307-0731-00	REAR PLATE	1
1-4-1	-----	SW PWB	1	2-13	331-4454-00	TR-HOLDER	1
1-4-2	001-7109-90	DIODE	36	2-14	051-3340-00	IC	1
1-4-3	013-6202-52	TACT SWITCH	16	2-15	716-1494-50	IT SCREW	1
1-4-4	016-0018-23	VR W/SHAFT	1	2-16	880-2026L	TUNER PACK	1
1-4-5	016-0024-07	VR W/SHAFT	1	3	311-1914-00	LOWER CASE	1
1-4-6	074-3013-74	OUTLET SOCKET	1	4	716-0878-50	SPECIAL SCREW	5
1-4-7	075-0390-00	JACK	1	5	309-0850-02	ES-PLATE	1
1-5	716-0778-52	SPECIAL SCREW	15	6	929-0410-80	CD-CHANG-MODULE	1
1-6	345-6126-00	CUSHION RUBBER	1	7	331-4091-10	6CD BRKT(L)	1
2	-----	MAIN-PWB-ASSY	1	8	331-4092-10	6CD BRKT(R)	1
2-1	-----	MAIN PWB	1	9	716-3552-00	SPECIAL SCREW	6
2-2	074-1237-69	OUTLET SOCKET	1	10	816-4024-50	FLAT WIRE	1
2-3	076-0478-59	PLUG	1	11	310-1823-10	UPPER CASE	1
2-4	076-3011-74	PLUG	1	12	307-0732-00	REAR-CVR	1
2-5	073-0762-90	TERMINAL	5	13	714-2606-8B	MACHINE SCREW	17
2-6	074-4009-20	OUTLET SOCKET	1	14	716-1553-50	SPECIAL SCREW	4
2-7	345-5805-51	GASKET	1	15	276-0066-21 276-0066-22 276-0066-29 276-0066-30 276-0066-31	SETPLATE(PN3005DF) SETPLATE(PN3005DG) SETPLATE(PN3005DH) SETPLATE(PN3005DI) SETPLATE(PN3005DJ)	1

## ELECTRICAL PARTS LIST

### SW PWB(B2) section

REF No.	PART No.	DESCRIPTION	REF No.	PART No.	DESCRIPTION	REF No.	PART No.	DESCRIPTION
D701	001-9210-50	AVR-M1608C270MTA AD	D737	001-7109-90	SML-311DTT86 ORG	R714	116-1521-15	1/4W 1.5k ohm
D702	001-9210-50	AVR-M1608C270MTA AD	D738	001-7109-90	SML-311DTT86 ORG	R715	116-1521-15	1/4W 1.5k ohm
D703	001-9210-50	AVR-M1608C270MTA AD	D739	001-7109-90	SML-311DTT86 ORG	R716	116-1521-15	1/4W 1.5k ohm
D704	001-9210-50	AVR-M1608C270MTA AD	D740	001-7109-90	SML-311DTT86 ORG	R717	116-1821-15	1/4W 1.8k ohm
D705	001-0516-90	MA111	D741	001-7109-90	SML-311DTT86 ORG	R718	116-1821-15	1/4W 1.8k ohm
D706	001-0516-90	MA111	D743	001-7109-90	SML-311DTT86 ORG	R719	116-1821-15	1/4W 1.8k ohm
D707	001-0516-90	MA111	D744	001-7109-90	SML-311DTT86 ORG	R720	116-1221-15	1/4W 1.2k ohm
D708	001-0516-90	MA111	D745	001-7109-90	SML-311DTT86 ORG	R721	116-1221-15	1/4W 1.2k ohm
D709	001-0516-90	MA111	D746	001-7109-90	SML-311DTT86 ORG	R722	116-1221-15	1/4W 1.2k ohm
D710	001-0516-90	MA111	D748	001-7109-90	SML-311DTT86 ORG	R723	116-1221-15	1/4W 1.2k ohm
D711	001-0516-90	MA111	D749	001-7109-90	SML-311DTT86 ORG	R724	116-1521-15	1/4W 1.5k ohm
D712	001-0516-90	MA111	D750	001-7109-90	SML-311DTT86 ORG	S701	013-6202-52	SKPMBJE010
D713	001-7109-90	SML-311DTT86 ORG	D751	001-7109-90	SML-311DTT86 ORG	S702	013-6202-52	SKPMBJE010
D714	001-7109-90	SML-311DTT86 ORG	D753	001-7109-90	SML-311DTT86 ORG	S703	013-6202-52	SKPMBJE010
D715	001-7109-90	SML-311DTT86 ORG	D754	001-7109-90	SML-311DTT86 ORG	S704	013-6202-52	SKPMBJE010
D716	001-7109-90	SML-311DTT86 ORG	D756	001-7109-90	SML-311DTT86 ORG	S705	013-6202-52	SKPMBJE010
D717	001-7109-90	SML-311DTT86 ORG	D757	001-7109-90	SML-311DTT86 ORG	S706	013-6202-52	SKPMBJE010
D720	001-7109-90	SML-311DTT86 ORG	D758	001-7109-90	SML-311DTT86 ORG	S707	013-6202-52	SKPMBJE010
D721	001-7109-90	SML-311DTT86 ORG	D759	001-7109-90	SML-311DTT86 ORG	S708	013-6202-52	SKPMBJE010
D722	001-7109-90	SML-311DTT86 ORG	D760	001-0516-90	MA111	S709	013-6202-52	SKPMBJE010
D723	001-7109-90	SML-311DTT86 ORG	D761	001-0516-90	MA111	S710	013-6202-52	SKPMBJE010
D724	001-7109-90	SML-311DTT86 ORG	D762	001-7109-90	SML-311DTT86 ORG	S711	013-6202-52	SKPMBJE010
D725	001-7109-90	SML-311DTT86 ORG	J701	075-0390-00	JACK	S712	013-6202-52	SKPMBJE010
D728	001-7109-90	SML-311DTT86 ORG	J702	074-3013-74	24P	S713	013-6202-52	SKPMBJE010
D729	001-7109-90	SML-311DTT86 ORG	R701	116-3321-15	1/4W 3.3k ohm	S714	013-6202-52	SKPMBJE010
D729	001-7109-90	SML-311DTT86 ORG	R705	116-1021-15	1/4W 1k ohm	S715	013-6202-52	SKPMBJE010
D730	001-7109-90	SML-311DTT86 ORG	R706	116-1821-15	1/4W 1.8k ohm	S716	013-6202-52	SKPMBJE010
D731	001-7109-90	SML-311DTT86 ORG	R707	116-2221-15	1/4W 2.2k ohm	VR701	016-0018-23	ROTALY ENCODER
D736	001-7109-90	SML-311DTT86 ORG	R709	116-2721-15	1/4W 2.7k ohm	VR702	016-0024-07	ROTALY ENCODER
			R710	116-2221-15	1/4W 2.2k ohm	PWB	039-3156-01	PWB(WITHOUT CO MPONENTS)
			R711	116-4711-15	1/4W 470 ohm			
			R713	116-2221-15	1/4W 2.2k ohm			

MAIN PWB(B1) section

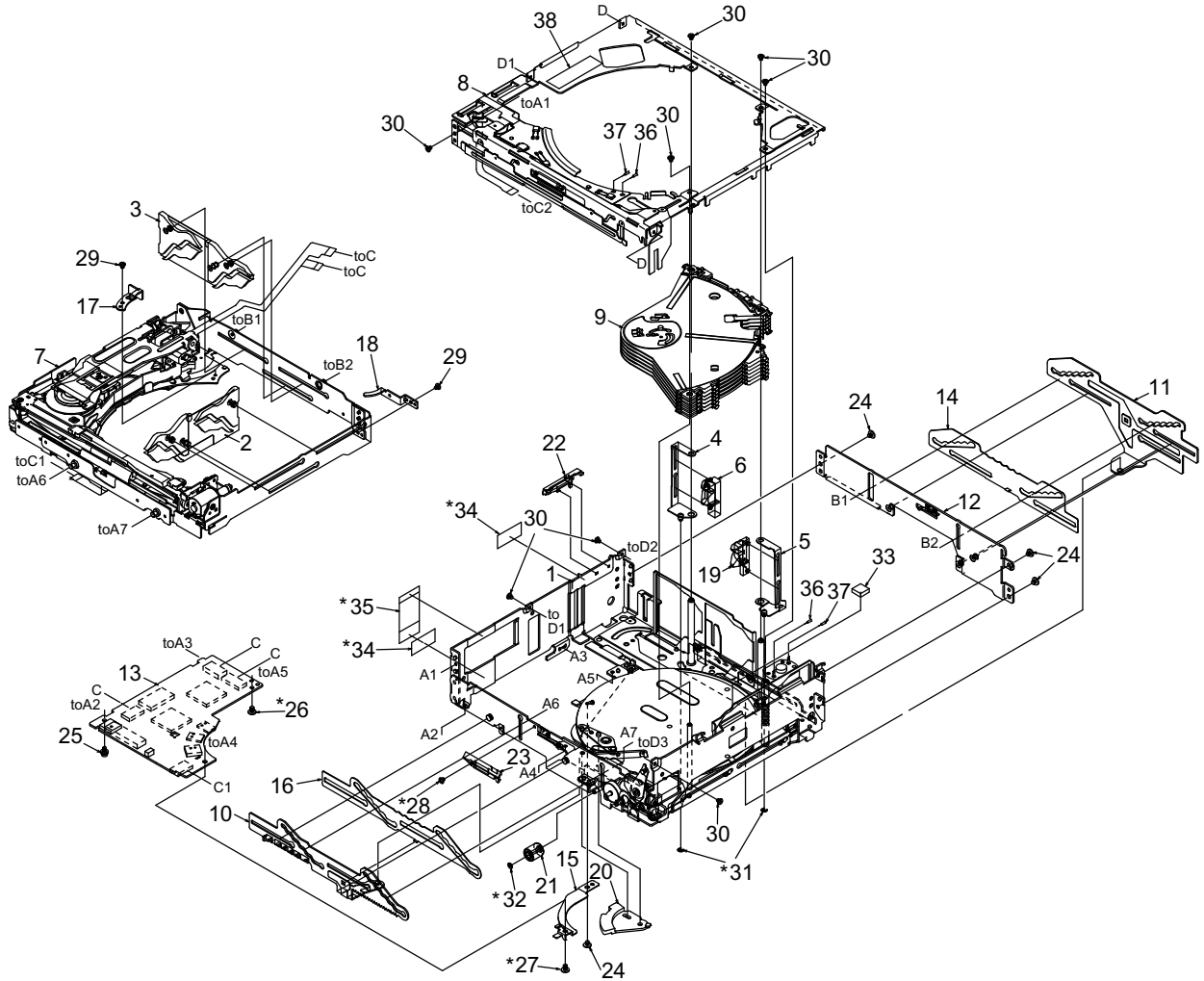
REF No.	PART No.	DESCRIPTION	REF No.	PART No.	DESCRIPTION	REF No.	PART No.	DESCRIPTION
ANT101	092-2210-00	ANTENNA RECEPT	C353	042-0643-58	6.3V 330uF	C557	168-2222-55	2200pF K
BL101	880-2026L	TUNER	C355	168-2222-55	2200pF K	C558	168-2222-55	2200pF K
C101	168-2222-55	2200pF K	C356	168-2222-55	2200pF K	C559	168-2222-55	2200pF K
C103	166-1511-50	150pF CH	C357	168-2222-55	2200pF K	C560	168-1522-55	1500pF K
C105	163-1063-35	16V 10uF	C358	168-2222-55	2200pF K	C561	168-2222-55	2200pF K
C106	166-2201-50	22pF CH	C359	163-1073-15	6.3V 100uF	C562	168-2222-55	2200pF K
C107	043-0319-51	200pF J CH	C401	168-1042-78	16V 0.1uF K	C563	168-6822-55	6800pF K
C108	168-2222-55	2200pF K	C402	168-1042-78	16V 0.1uF K	C564	166-2201-50	22pF CH
C109	168-1022-55	1000pF K	C403	166-2201-50	22pF CH	C565	178-1052-78	25V 1uF
C110	168-1022-55	1000pF K	C404	166-2201-50	22pF CH	C566	168-1042-78	16V 0.1uF K
C111	168-1022-55	1000pF K	C405	168-4722-55	4700pF K	C567	163-1063-35	16V 10uF
C112	168-1022-55	1000pF K	C406	166-1201-50	12pF CH	C568	168-2232-55	0.022uF K
C113	163-1073-35	16V 100uF	C407	166-1201-50	12pF CH	C569	163-3373-15	6.3V 330uF
C114	168-2222-55	2200pF K	C408	168-1042-78	16V 0.1uF K	C570	168-1022-55	1000pF K
C115	168-1022-55	1000pF K	C409	163-4763-15	6.3V 47uF	C601	163-1063-35	16V 10uF
C116	168-1022-55	1000pF K	C410	168-1042-78	16V 0.1uF K	C602	163-1063-35	16V 10uF
C117	168-1022-55	1000pF K	C411	168-1042-78	16V 0.1uF K	C603	163-1063-35	16V 10uF
C118	163-1073-35	16V 100uF	C412	168-1032-55	0.01uF K	C604	163-1063-35	16V 10uF
C119	163-4763-35	16V 47uF	C413	166-1011-50	100pF CH	C605	168-3332-78	0.033uF K
C120	168-1042-78	16V 0.1uF K	C414	166-1011-50	100pF CH	C606	168-3332-78	0.033uF K
C121	168-1042-78	16V 0.1uF K	C415	163-4763-35	16V 47uF	C607	168-2232-55	0.022uF K
C123	163-1073-35	16V 100uF	C416	043-0548-50	10V 2.2uF	C608	168-1042-78	16V 0.1uF K
C124	163-1063-35	16V 10uF	C417	043-0548-50	10V 2.2uF	C609	168-4722-55	4700pF K
C202	178-1052-78	25V 1uF	C418	166-2201-50	22pF CH	C610	168-4722-55	4700pF K
C203	178-3342-78	0.33uF	C419	166-2201-50	22pF CH	C611	168-1022-55	1000pF K
C205	163-2273-25	10V 220uF	C420	166-2201-50	22pF CH	C612	168-1022-55	1000pF K
C206	168-1042-78	16V 0.1uF K	C421	166-2201-50	22pF CH	C613	168-1022-55	1000pF K
C207	042-0579-51	16V 10uF	C422	166-2201-50	22pF CH	C617	168-1022-55	1000pF K
C208	042-0579-51	16V 10uF	C423	166-2201-50	22pF CH	C618	168-1022-55	1000pF K
C209	168-1042-78	16V 0.1uF K	C424	166-1801-50	18pF CH	C701	043-0548-50	10V 2.2uF
C210	163-3373-15	6.3V 330uF	C425	043-0548-50	10V 2.2uF	C702	043-0548-50	10V 2.2uF
C301	166-1811-50	180pF CH	C426	043-0548-50	10V 2.2uF	C703	166-5601-50	56pF CH
C302	168-1042-78	16V 0.1uF K	C427	043-0548-50	10V 2.2uF	C704	166-5601-50	56pF CH
C303	163-4753-65	50V 4.7uF	C428	043-0548-50	10V 2.2uF	C709	166-5601-50	56pF CH
C306	168-1042-78	16V 0.1uF K	C429	168-1032-55	0.01uF K	C710	166-5601-50	56pF CH
C307	168-1042-78	16V 0.1uF K	C501	168-1042-78	16V 0.1uF K	C711	043-0548-50	10V 2.2uF
C308	166-8097-50	8pF +/-0.5pF CH	C502	168-1042-78	16V 0.1uF K	C712	043-0548-50	10V 2.2uF
C309	166-8097-50	8pF +/-0.5pF CH	C503	168-1042-78	16V 0.1uF K	C713	166-5601-50	56pF CH
C310	168-1022-55	1000pF K	C504	168-1042-78	16V 0.1uF K	C714	166-5601-50	56pF CH
C311	168-1022-55	1000pF K	C505	166-5611-50	560pF CH	C719	166-5601-50	56pF CH
C312	168-1022-55	1000pF K	C506	166-5611-50	560pF CH	C720	166-5601-50	56pF CH
C313	168-1022-55	1000pF K	C507	166-5611-50	560pF CH	C721	163-3363-25	10V 33uF
C316	168-1022-55	1000pF K	C508	178-3342-78	0.33uF	C722	163-3363-25	10V 33uF
C317	168-1022-55	1000pF K	C509	166-5611-50	560pF CH	C723	163-3363-25	10V 33uF
C318	168-1042-78	16V 0.1uF K	C510	163-1073-15	6.3V 100uF	C724	163-3363-25	10V 33uF
C319	163-4753-65	50V 4.7uF	C511	166-2201-50	22pF CH	C725	163-3363-25	10V 33uF
C320	168-1042-78	16V 0.1uF K	C512	166-2201-50	22pF CH	C726	163-3363-25	10V 33uF
C321	163-4753-65	50V 4.7uF	C513	168-1042-78	16V 0.1uF K	C727	163-3363-25	10V 33uF
C324	168-1022-55	1000pF K	C514	168-1022-55	1000pF K	C728	163-3363-25	10V 33uF
C325	168-2222-55	2200pF K	C515	166-2201-50	22pF CH	CCT401	050-0145-52	1/16W 1k ohm x4
C326	163-2273-25	10V 220uF	C516	166-2201-50	22pF CH	CCT402	050-0145-52	1/16W 1k ohm x4
C327	168-4732-78	0.047uF K	C517	166-5611-50	560pF CH	CCT403	050-0145-52	1/16W 1k ohm x4
C328	163-2263-35	16V 22uF	C518	166-5611-50	560pF CH	D101	001-0580-90	1SS352
C329	168-1042-78	16V 0.1uF K	C519	166-5611-50	560pF CH	D102	001-0580-90	1SS352
C330	163-3373-15	6.3V 330uF	C520	166-5611-50	560pF CH	D103	001-0529-47	MA8091-M
C331	168-1042-78	16V 0.1uF K	C521	163-4763-35	16V 47uF	D201	001-2412-90	RR264M-400
C332	166-1011-50	100pF CH	C522	163-2273-25	10V 220uF	D502	001-0529-48	MA8091-H
C333	168-1042-78	16V 0.1uF K	C523	166-2201-50	22pF CH	D503	001-0580-90	1SS352
C334	163-1063-35	16V 10uF	C524	168-2212-55	220pF K	D504	001-0580-90	1SS352
C335	168-1022-55	1000pF K	C525	163-1073-35	16V 100uF	D505	001-0580-90	1SS352
C336	178-1052-78	25V 1uF	C526	042-0592-61	16V 47uF	D506	001-2640-90	D1FJ4
C337	168-3332-78	0.033uF K	C527	042-0592-61	16V 47uF	D508	001-2015-00	RL253
C338	168-1022-55	1000pF K	C528	163-4763-35	16V 47uF	D509	001-2412-90	RR264M-400
C340	168-1022-55	1000pF K	C545	043-0566-90	50V 2.2uF K	D510	001-0529-48	MA8091-H
C343	168-4712-55	470pF K	C546	043-0604-90	25V 10uF B	D511	001-4301-68	HZU18B1
C344	168-1022-55	1000pF K	C547	189-1083-32	16V 1000uF	D512	001-0580-90	1SS352
C345	163-2263-35	16V 22uF	C549	043-0499-51	50V 0.1uF J	D513	001-4301-68	HZU18B1
C346	163-1073-15	6.3V 100uF	C550	178-4742-78	0.47uF	D514	001-4301-68	HZU18B1
C348	168-3322-55	3300pF K	C551	168-1042-38	50V 0.1uF K	D515	001-0529-34	MA8062-L
C349	168-3322-55	3300pF K	C552	168-2222-55	2200pF K	D516	001-0580-90	1SS352
C350	168-3322-55	3300pF K	C553	168-2222-55	2200pF K	D517	001-0580-90	1SS352
C351	168-3322-55	3300pF K	C554	168-2222-55	2200pF K	D601	001-0580-90	1SS352
C352	168-1042-78	16V 0.1uF K	C556	168-2222-55	2200pF K	D602	001-0529-44	MA8082-M

REF No.	PART No.	DESCRIPTION	REF No.	PART No.	DESCRIPTION	REF No.	PART No.	DESCRIPTION
D605	001-4305-39	UDZSTE-17 36B	Q305	125-2027-91	DTC114EUA	R326	119-1001-15	1/10W 10 ohm
D606	001-0580-90	1SS352	Q308	125-2027-91	DTC114EUA	R327	119-3921-15	1/10W 3.9k ohm
D607	001-0580-90	1SS352	Q501	190-1586-00	2SA1586 O,Y,G	R328	119-1021-15	1/10W 1k ohm
D609	001-4305-39	UDZSTE-17 36B	Q502	125-2027-91	DTC114EUA	R329	119-0000-05	1/10W 0 ohm JW
D610	001-4305-39	UDZSTE-17 36B	Q503	193-1664-00	2SD1664	R330	119-0000-05	1/10W 0 ohm JW
IC101	051-3341-90	BD3931FP	Q504	192-4116-51	2SC4116 G,L	R331	032-0140-50	1/10W 10k ohm F
IC201	051-3516-90	S-1132B33-U5T1G	Q505	191-1204-61	2SB1204 R,S,T	R332	032-0140-50	1/10W 10k ohm F
IC202	051-3340-00	LD1085P	Q506	125-9017-92	UMD3N-TR	R333	032-0140-50	1/10W 10k ohm F
IC301	-----	SAF7730HV/N317F (670630-051) (type center pad)	Q507	125-2027-91	DTC114EUA	R334	032-0140-50	1/10W 10k ohm F
IC401	-----	BR24L16FVM-WTR (942490-051) (E2PROM : Software should be written on p roduction)	Q508	191-1197-50	2SB1197K Q,R	R335	032-0140-50	1/10W 10k ohm F
IC402	-----	M30876FJAGP VIRGI N-TYP (031510-052) (flash : Software shou ld be written on produ ction)	Q509	125-2027-91	DTC114EUA	R336	032-0140-50	1/10W 10k ohm F
IC403	051-6607-08	PCA82C250T-T	Q512	192-4081-00	2SC4081	R337	119-1041-15	1/10W 100k ohm
IC404	051-5417-38	R3112N271A-TR-FA	Q513	192-4081-00	2SC4081	R338	119-1041-15	1/10W 100k ohm
IC405	051-3034-90	NJM4558V	Q514	125-2027-91	DTC114EUA	R339	119-1031-15	1/10W 10k ohm
IC406	051-6212-08	LC72191JM-TLM	Q516	192-4081-00	2SC4081	R340	119-1031-15	1/10W 10k ohm
IC501	051-3396-90	NJM2386ADL3-33-TE 1	Q601	125-0006-90	UNR2110	R341	119-1011-15	1/10W 100 ohm
IC502	051-3019-90	NJM2060V	Q602	125-2027-91	DTC114EUA	R342	119-1011-15	1/10W 100 ohm
IC503	051-3034-90	NJM4558V	Q603	192-4081-00	2SC4081	R343	119-0000-05	1/10W 0 ohm JW
IC505	051-3517-90	LT3481EMSE#TRPB F	Q604	192-4081-00	2SC4081	R344	119-0000-05	1/10W 0 ohm JW
IC506	051-5441-08	BD4828G-TR	Q605	192-4081-00	2SC4081	R345	119-0000-05	1/10W 0 ohm JW
IC701	051-3019-90	NJM2060V	Q607	125-0021-91	DTA114EUA	R347	119-0000-05	1/10W 0 ohm JW
IC702	051-3019-90	NJM2060V	Q610	125-2027-91	DTC114EUA	R348	119-4731-15	1/10W 47k ohm
J201	074-1237-69	19P	Q611	192-4081-00	2SC4081	R349	119-1031-15	1/10W 10k ohm
J501	074-4009-20	20P	Q612	192-4081-00	2SC4081	R350	119-0000-05	1/10W 0 ohm JW
J601	074-1013-00	12P	Q613	125-0021-91	DTA114EUA	R351	119-4731-15	1/10W 47k ohm
J602	074-1302-12	12P	Q614	125-0021-91	DTA114EUA	R352	119-1021-15	1/10W 1k ohm
L101	010-2003-04	30uH	R102	116-1091-15	1/4W 1 ohm	R353	119-1021-15	1/10W 1k ohm
L102	010-4011-20	2.5mH +3/-3%	R104	116-1221-15	1/4W 1.2k ohm	R354	119-1021-15	1/10W 1k ohm
L301	010-3104-54	600 ohm/100MHz	R105	119-1031-15	1/10W 10k ohm	R355	119-1021-15	1/10W 1k ohm
L302	010-3103-50	1500 ohm/100MHz	R106	119-0000-05	1/10W 0 ohm JW	R356	119-4731-15	1/10W 47k ohm
L303	010-3104-54	600 ohm/100MHz	R107	119-0000-05	1/10W 0 ohm JW	R357	119-4731-15	1/10W 47k ohm
L304	010-3104-54	600 ohm/100MHz	R110	119-1011-15	1/10W 100 ohm	R358	119-1001-15	1/10W 10 ohm
L305	010-3103-50	1500 ohm/100MHz	R111	119-1011-15	1/10W 100 ohm	R359	119-4731-15	1/10W 47k ohm
L306	010-3104-54	600 ohm/100MHz	R112	119-1011-15	1/10W 100 ohm	R360	119-4731-15	1/10W 47k ohm
L307	010-3103-50	1500 ohm/100MHz	R115	119-1011-15	1/10W 100 ohm	R361	119-4731-15	1/10W 47k ohm
L308	010-3104-54	600 ohm/100MHz	R116	119-1011-15	1/10W 100 ohm	R362	119-4731-15	1/10W 47k ohm
L309	010-3104-54	600 ohm/100MHz	R117	119-1011-15	1/10W 100 ohm	R401	119-1021-15	1/10W 1k ohm
L310	010-3104-54	600 ohm/100MHz	R118	116-1091-15	1/4W 1 ohm	R402	119-1021-15	1/10W 1k ohm
L311	010-3103-50	1500 ohm/100MHz	R119	116-3911-15	1/4W 390 ohm	R403	119-1021-15	1/10W 1k ohm
L312	010-3104-54	600 ohm/100MHz	R206	119-1021-15	1/10W 1k ohm	R404	119-1021-15	1/10W 1k ohm
L313	010-3104-54	600 ohm/100MHz	R207	119-3331-15	1/10W 33k ohm	R405	119-0000-05	1/10W 0 ohm JW
L402	010-3406-66	22uH J	R208	119-4731-15	1/10W 47k ohm	R406	119-1021-15	1/10W 1k ohm
L403	010-3406-54	2.2uH J	R209	119-1041-15	1/10W 100k ohm	R407	119-1021-15	1/10W 1k ohm
L404	010-3601-50	600 ohm/100MHz	R210	119-4721-15	1/10W 4.7k ohm	R408	119-1021-15	1/10W 1k ohm
L501	010-3104-54	600 ohm/100MHz	R212	119-4721-15	1/10W 4.7k ohm	R409	119-4731-15	1/10W 47k ohm
L502	010-3104-54	600 ohm/100MHz	R213	119-4721-15	1/10W 4.7k ohm	R410	119-4731-15	1/10W 47k ohm
L503	010-3414-90	6.8uH	R214	119-4721-15	1/10W 4.7k ohm	R411	119-4721-15	1/10W 4.7k ohm
L504	010-8045-00	520uH	R216	032-0140-98	1/10W 330 ohm F	R412	119-4731-15	1/10W 47k ohm
P401	076-0478-59	9P	R217	032-0140-93	1/10W 2k ohm F	R413	119-4731-15	1/10W 47k ohm
P402	076-3011-74	24P	R301	119-1031-15	1/10W 10k ohm	R414	119-4711-15	1/10W 470 ohm
Q101	190-2060-00	2SA2060	R302	119-2201-15	1/10W 22 ohm	R415	119-4711-15	1/10W 470 ohm
Q102	125-2026-95	UNR521NG	R303	119-1031-15	1/10W 10k ohm	R416	119-4721-15	1/10W 4.7k ohm
Q105	192-5886-00	2SC5886	R304	119-0000-05	1/10W 0 ohm JW	R417	119-4721-15	1/10W 4.7k ohm
Q201	192-4081-00	2SC4081	R305	119-0000-05	1/10W 0 ohm JW	R418	119-4721-15	1/10W 4.7k ohm
Q202	125-0021-91	DTA114EUA	R306	119-0000-05	1/10W 0 ohm JW	R419	119-4721-15	1/10W 4.7k ohm
Q203	125-2027-91	DTC114EUA	R307	119-0000-05	1/10W 0 ohm JW	R420	119-1041-15	1/10W 100k ohm
Q204	198-3018-00	2SK3018	R308	032-0140-80	1/10W 18k ohm F	R421	119-1041-15	1/10W 100k ohm
Q205	198-3018-00	2SK3018	R309	032-0140-80	1/10W 18k ohm F	R424	119-1011-15	1/10W 100 ohm
Q206	125-9017-92	UMD3N-TR	R310	032-0140-80	1/10W 18k ohm F	R425	119-1011-15	1/10W 100 ohm
Q301	125-7007-90	Si5441BDC-TI-E3	R311	032-0140-80	1/10W 18k ohm F	R426	119-1011-15	1/10W 100 ohm
Q302	125-2027-91	DTC114EUA	R312	119-1011-15	1/10W 100 ohm	R427	119-1011-15	1/10W 100 ohm
			R313	119-1031-15	1/10W 10k ohm	R428	119-1031-15	1/10W 10k ohm
			R314	119-1021-15	1/10W 1k ohm	R429	119-1031-15	1/10W 10k ohm
			R315	119-1021-15	1/10W 1k ohm	R430	119-4721-15	1/10W 4.7k ohm
			R316	119-3921-15	1/10W 3.9k ohm	R431	119-1021-15	1/10W 1k ohm
			R317	119-1041-15	1/10W 100k ohm	R432	119-1021-15	1/10W 1k ohm
			R318	119-3921-15	1/10W 3.9k ohm	R433	119-4721-15	1/10W 4.7k ohm
			R319	119-1041-15	1/10W 100k ohm	R434	119-1021-15	1/10W 1k ohm
			R320	119-0000-05	1/10W 0 ohm JW	R435	116-6201-15	1/4W 62 ohm
			R321	119-1041-15	1/10W 100k ohm	R436	119-1031-15	1/10W 10k ohm
			R322	119-1041-15	1/10W 100k ohm	R437	116-6201-15	1/4W 62 ohm
			R323	119-1041-15	1/10W 100k ohm	R438	119-4731-15	1/10W 47k ohm
			R324	119-1041-15	1/10W 100k ohm	R439	119-1021-15	1/10W 1k ohm
			R325	119-3921-15	1/10W 3.9k ohm	R440	119-1021-15	1/10W 1k ohm

REF No.	PART No.	DESCRIPTION	REF No.	PART No.	DESCRIPTION	REF No.	PART No.	DESCRIPTION
R441	119-0000-05	1/10W 0 ohm JW	R522	119-1031-15	1/10W 10k ohm	R623	119-5631-15	1/10W 56k ohm
R443	119-1031-15	1/10W 10k ohm	R523	119-1031-15	1/10W 10k ohm	R624	119-1031-15	1/10W 10k ohm
R444	119-4731-15	1/10W 47k ohm	R524	119-1031-15	1/10W 10k ohm	R625	119-2231-15	1/10W 22k ohm
R445	119-1031-15	1/10W 10k ohm	R526	116-3911-15	1/4W 390 ohm	R626	119-4731-15	1/10W 47k ohm
R446	119-4731-15	1/10W 47k ohm	R527	116-1221-15	1/4W 1.2k ohm	R628	119-5621-15	1/10W 5.6k ohm
R447	119-1021-15	1/10W 1k ohm	R528	116-8211-15	1/4W 820 ohm	R629	119-5621-15	1/10W 5.6k ohm
R448	119-4731-15	1/10W 47k ohm	R529	116-1221-15	1/4W 1.2k ohm	R630	119-1021-15	1/10W 1k ohm
R449	119-4731-15	1/10W 47k ohm	R530	116-1221-15	1/4W 1.2k ohm	R631	119-1021-15	1/10W 1k ohm
R450	119-4731-15	1/10W 47k ohm	R531	119-1031-15	1/10W 10k ohm	R701	119-3321-15	1/10W 3.3k ohm
R451	119-4731-15	1/10W 47k ohm	R532	116-8211-15	1/4W 820 ohm	R702	119-2231-15	1/10W 22k ohm
R452	119-4731-15	1/10W 47k ohm	R533	119-1031-15	1/10W 10k ohm	R703	119-1531-15	1/10W 15k ohm
R453	119-1011-15	1/10W 100 ohm	R534	116-1221-15	1/4W 1.2k ohm	R704	117-3301-15	1/8W 33 ohm
R454	119-1011-15	1/10W 100 ohm	R535	119-4721-15	1/10W 4.7k ohm	R705	117-3301-15	1/8W 33 ohm
R456	119-4721-15	1/10W 4.7k ohm	R536	119-4731-15	1/10W 47k ohm	R706	119-1531-15	1/10W 15k ohm
R457	119-4721-15	1/10W 4.7k ohm	R537	116-4721-15	1/4W 4.7k ohm	R707	119-2231-15	1/10W 22k ohm
R458	119-1041-15	1/10W 100k ohm	R538	119-2731-15	1/10W 27k ohm	R708	119-3321-15	1/10W 3.3k ohm
R459	119-1011-15	1/10W 100 ohm	R540	119-1521-15	1/10W 1.5k ohm	R709	119-5631-15	1/10W 56k ohm
R461	119-2231-15	1/10W 22k ohm	R541	119-1031-15	1/10W 10k ohm	R710	119-5631-15	1/10W 56k ohm
R462	119-1041-15	1/10W 100k ohm	R542	032-0140-03	1/10W 220k ohm F	R711	119-1031-15	1/10W 10k ohm
R466	032-0140-15	1/10W 6.8k ohm F	R543	032-0140-19	1/10W 75k ohm F	R712	119-1031-15	1/10W 10k ohm
R467	032-0140-15	1/10W 6.8k ohm F	R548	119-2241-15	1/10W 220k ohm	R713	119-2231-15	1/10W 22k ohm
R468	119-4731-15	1/10W 47k ohm	R551	119-1031-15	1/10W 10k ohm	R714	117-3301-15	1/8W 33 ohm
R469	032-0140-15	1/10W 6.8k ohm F	R552	032-0140-16	1/10W 180k ohm F	R715	117-3301-15	1/8W 33 ohm
R470	032-0140-15	1/10W 6.8k ohm F	R553	032-0148-50	1/10W 100k ohm D	R716	119-2231-15	1/10W 22k ohm
R471	032-0140-50	1/10W 10k ohm F	R554	032-0140-51	1/10W 15k ohm F	R717	119-3321-15	1/10W 3.3k ohm
R472	032-0140-50	1/10W 10k ohm F	R555	116-2721-15	1/4W 2.7k ohm	R718	119-2231-15	1/10W 22k ohm
R473	032-0140-50	1/10W 10k ohm F	R556	116-1531-15	1/4W 15k ohm	R719	119-1531-15	1/10W 15k ohm
R474	032-0140-50	1/10W 10k ohm F	R558	119-2221-15	1/10W 2.2k ohm	R720	117-3301-15	1/8W 33 ohm
R475	119-1031-15	1/10W 10k ohm	R559	116-1531-15	1/4W 15k ohm	R721	117-3301-15	1/8W 33 ohm
R476	119-1031-15	1/10W 10k ohm	R560	116-4791-15	1/4W 4.7 ohm	R722	119-1531-15	1/10W 15k ohm
R495	119-4731-15	1/10W 47k ohm	R561	116-4791-15	1/4W 4.7 ohm	R723	119-2231-15	1/10W 22k ohm
R496	119-4731-15	1/10W 47k ohm	R562	119-1031-15	1/10W 10k ohm	R724	119-3321-15	1/10W 3.3k ohm
R497	119-4731-15	1/10W 47k ohm	R564	119-5611-15	1/10W 560 ohm	R725	119-5631-15	1/10W 56k ohm
R498	119-4731-15	1/10W 47k ohm	R565	119-1031-15	1/10W 10k ohm	R726	119-5631-15	1/10W 56k ohm
R499	119-1011-15	1/10W 100 ohm	R566	119-3321-15	1/10W 3.3k ohm	R727	119-1031-15	1/10W 10k ohm
R501	119-1031-15	1/10W 10k ohm	R567	119-2231-15	1/10W 22k ohm	R728	119-1031-15	1/10W 10k ohm
R502	119-1031-15	1/10W 10k ohm	R569	119-0000-05	1/10W 0 ohm JW	R729	119-2231-15	1/10W 22k ohm
R503	119-1031-15	1/10W 10k ohm	R570	116-8211-15	1/4W 820 ohm	R730	117-3301-15	1/8W 33 ohm
R504	119-1031-15	1/10W 10k ohm	R575	119-0000-05	1/10W 0 ohm JW	R731	117-3301-15	1/8W 33 ohm
R505	119-1031-15	1/10W 10k ohm	R576	119-7531-15	1/10W 75k ohm	R732	119-2231-15	1/10W 22k ohm
R506	119-1031-15	1/10W 10k ohm	R577	119-4731-15	1/10W 47k ohm	SUP101	060-0122-91	DSP-141N-S00B
R507	119-1031-15	1/10W 10k ohm	R601	119-3011-15	1/10W 300 ohm	SUP102	060-0122-91	DSP-141N-S00B
R508	119-1031-15	1/10W 10k ohm	R602	119-3011-15	1/10W 300 ohm	TC401	004-1580-10	30pF GRN
R509	119-1031-15	1/10W 10k ohm	R603	119-3011-15	1/10W 300 ohm	TH101	002-0229-00	PTH8L05BAIR8M1B
R510	119-1031-15	1/10W 10k ohm	R604	032-0140-89	1/10W 47k ohm F	TM101	073-0762-90	TERMINAL
R511	119-1051-15	1/10W 1M ohm	R605	032-0140-89	1/10W 47k ohm F	TM102	073-0762-90	TERMINAL
R512	119-1051-15	1/10W 1M ohm	R606	119-1031-15	1/10W 10k ohm	TM501	073-0762-90	TERMINAL
R513	119-1051-15	1/10W 1M ohm	R607	119-1021-15	1/10W 1k ohm	TM502	073-0762-90	TERMINAL
R514	119-1051-15	1/10W 1M ohm	R608	119-6821-15	1/10W 6.8k ohm	TM601	073-0762-90	TERMINAL
R515	119-1031-15	1/10W 10k ohm	R609	119-5621-15	1/10W 5.6k ohm	X301	061-3537-90	41.6MHz
R516	119-1031-15	1/10W 10k ohm	R610	119-5621-15	1/10W 5.6k ohm	X401	061-3541-90	10.00MHz
R517	119-1031-15	1/10W 10k ohm	R612	119-5631-15	1/10W 56k ohm	X402	061-1066-00	7.2MHz
R518	119-1031-15	1/10W 10k ohm	R613	119-5631-15	1/10W 56k ohm	PWB	039-3204-00	PWB(WITHOUT CO MPONENTS)
R519	119-1031-15	1/10W 10k ohm	R615	119-4731-15	1/10W 47k ohm			
R520	119-1031-15	1/10W 10k ohm	R616	119-1031-15	1/10W 10k ohm			
R521	119-1031-15	1/10W 10k ohm	R617	119-1031-15	1/10W 10k ohm			

# EXPLODED VIEW/PARTS LIST

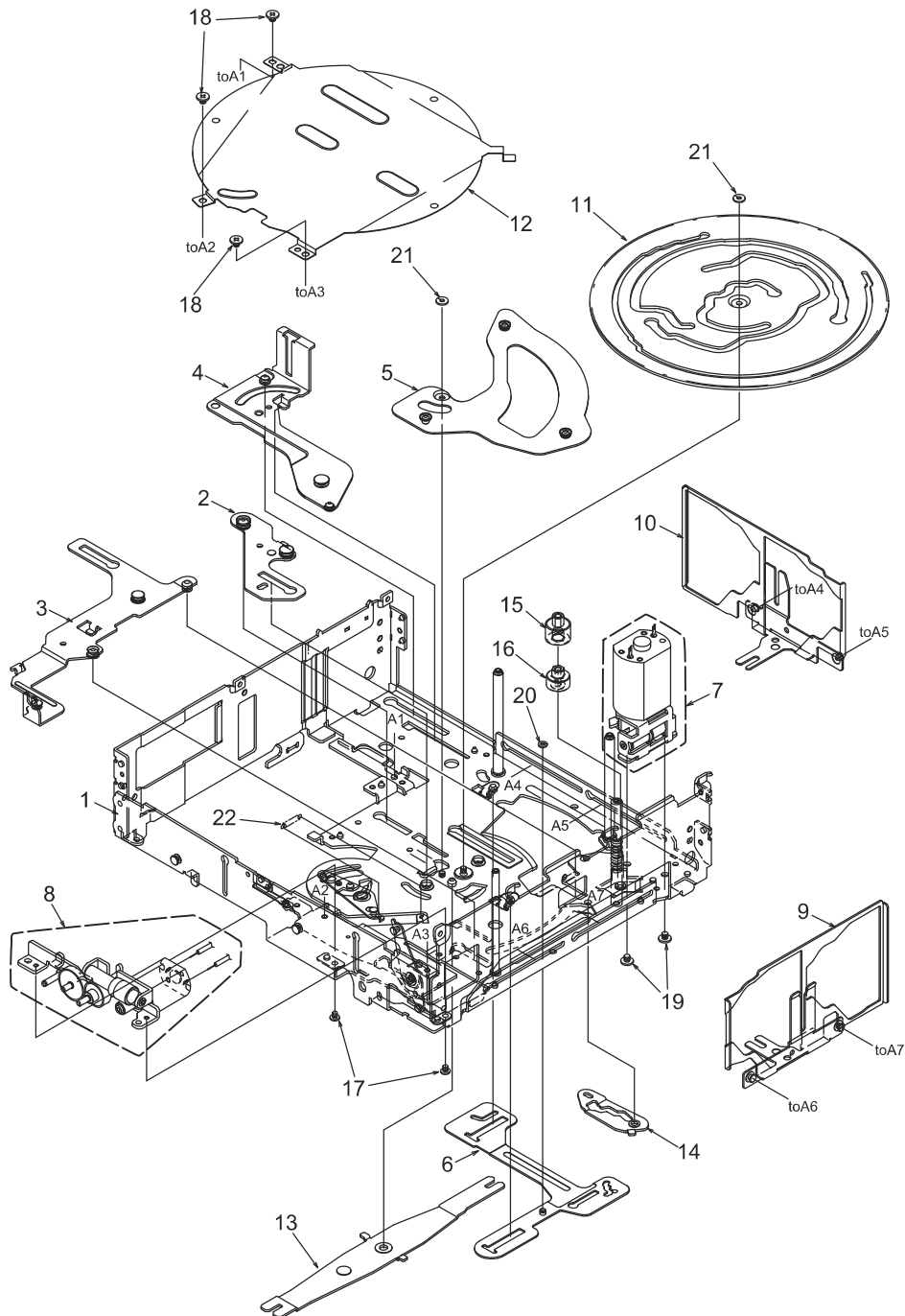
## Main section



\* Do not reuse the following parts.  
(No.26,27,28,32,31,34,35)

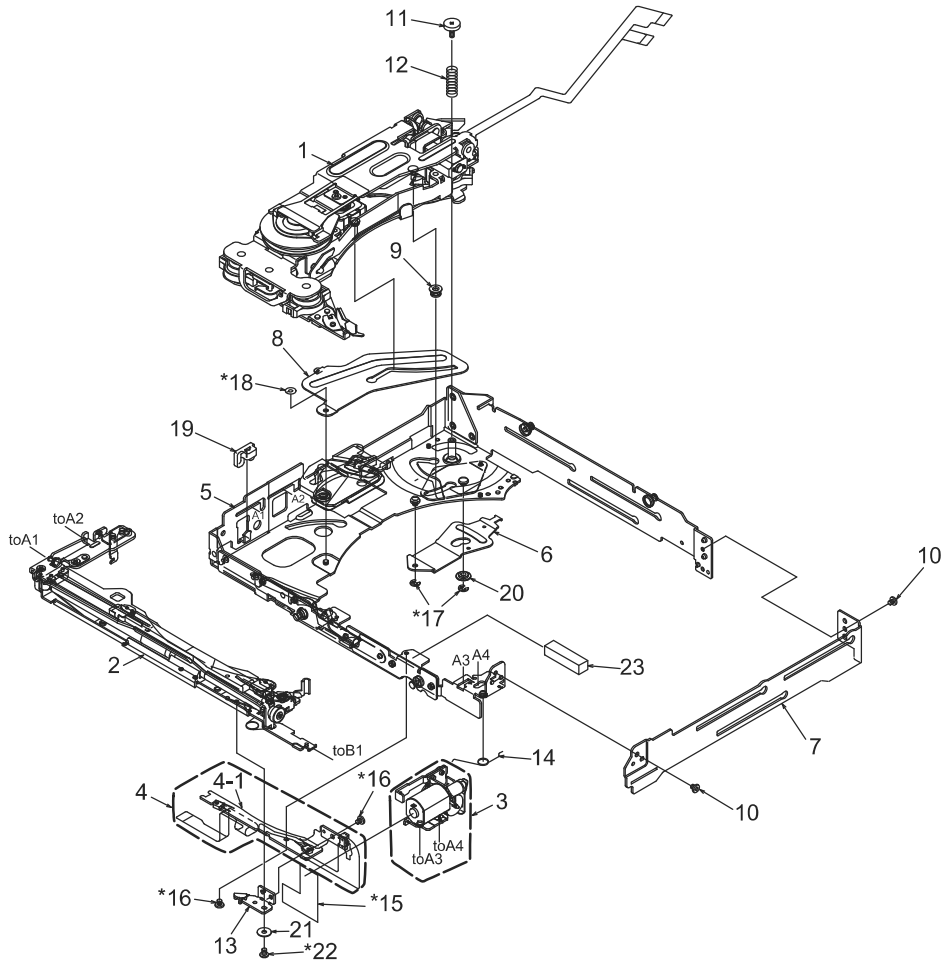
NO.	PART NO.	DESCRIPTION	Q'TY	NO.	PART NO.	DESCRIPTION	Q'TY
1	-----	LOWER UNIT ASSY	1	20	621-1812-20	SW LINK	1
2	HBS-617-100	KUSABI-ASSY-S	1	21	621-1765-21	UD-GEAR-D	1
3	HBS-618-100	KUSABI-ASSY-R	1	22	621-1715-20	FPC-STOPPER	1
4	966-1846-20	DS-SP-ASSY L	1	23	621-1763-20	LOADING GUIDE B	1
5	966-1847-21	DS-SP ASSY R	1	24	716-1850-01	SCREW(M2.0x2)	4
6	966-1898-21	DISC STP-ASSY L	1	25	716-3598-00	SCREW(M2.0x4)	1
7	966-1899-20	DRIVE-CH UNIT	1	26	716-3599-00	SCREW(M2.0x2 sealock)	1
8	966-1840-23	UPPER UNIT ASSY	1	27	716-3600-00	SCREW(M2.0x3 sealock)	1
9	HBS-602-100	DISCHOLDER UNIT	1	28	716-3601-00	SCREW(M1.7x2 sealock)	1
10	966-1771-21	SLIDE-P-ASSY	1	29	716-3450-00	SCREW(M1.7x2.0)	2
11	966-1814-21	SLIDE-P-ASSY-R	1	30	716-3451-01	SCREW(M1.7x2.5)	8
12	966-1874-20	REAR-P-ASSY R	1	31	744-0045-01	C-RING	2
13	HBS-658-100	CD PWB ASSY	1	32	746-0761-00	WASHER	1
14	620-1662-21	GAP PLATE R	1	33	345-5824-00	RUBBER PART	1
15	620-1640-20	SW-H-PLATE	1	34	347-8230-00	PROTECT SHEET	2
16	620-1778-21	GAP PLATE F	1	35	347-8219-00	FPC-SHEET N	1
17	620-1685-21	DS-PLATE L	1	36	800-4921-60	VINYL-COAT-WIRE	1
18	620-1686-20	DS-PLATE R	1	37	802-4921-60	VINYL-COAT-WIRE	1
19	621-1819-20	DISC STOPPER R	1	38	293-8575-00	MECH LABEL	1

Lower unit assy section



NO.	PART NO.	DESCRIPTION	Q'TY	NO.	PART NO.	DESCRIPTION	Q'TY
1	966-1834-24	LOWER-C-ASSY	1	12	620-1624-24	GEAR COVER	1
2	966-0658-22	DH-SP-ASSY	1	13	620-1848-21	UD LINK	1
3	966-1836-22	TATSU-P-ASSY	1	14	620-1869-20	DS-SHIFT LINK	1
4	966-1832-20	D-SHT PL-B-ASSY	1	15	621-1811-21	M-GEAR B	1
5	966-0659-22	DH-SP-ASSY B	1	16	621-0733-21	M-GEAR C	1
6	966-1835-24	DS-SP-ASSY	1	17	716-3451-01	SCREW(M1.7x2.5)	2
7	HBS-622-100	M-MTR SUB ASSY	1	18	716-1850-01	SCREW(M2.0x2.0)	3
8	HBS-616-100	UD-MOTOR-ASSY	1	19	716-1851-03	SCREW(M2.0x3.0)	2
9	966-1872-20	INITIAL ASSY S	1	20	746-0870-00	WASHER	1
10	966-1873-20	INITIAL ASSY R	1	21	746-0768-00	WASHER	2
11	620-1623-24	CAM GEAR	1	22	750-6756-21	SW-L-SPRING	1

# Drive-CH unit section

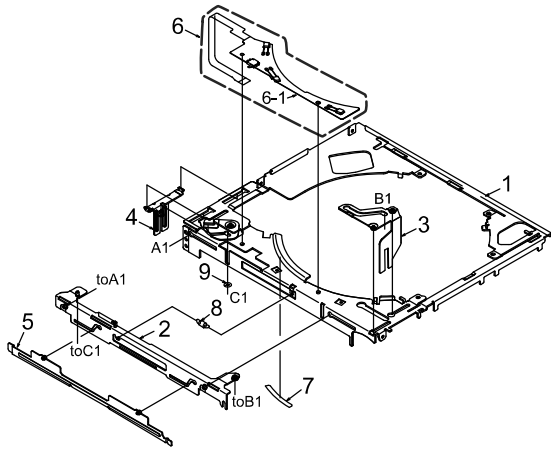


\* Do not reuse the following parts.  
(No.15,16,17,18,22)

NO.	PART NO.	DESCRIPTION	Q'TY	NO.	PART NO.	DESCRIPTION	Q'TY
1	HBS-656-100	N-DRIVE UNIT	1	12	750-6852-20	DRIVE SPRING A	1
2	HBS-612-100	LOADING-U-ASSY	1	13	620-1831-21	S-PWB PLATE	1
3	HBS-615-100	LO-MOTOR-S-ASSY	1	14	750-6754-20	LO-ES-SPRING B	1
4	HBS-614-100	L-SEN-FPC-ASSY	1	15	345-5424-01	SEN-FPC GUIDE	1
4-1	-----	SENSOR-L-FPC	1	16	716-3601-00	SCREW(M1.7x2 sealock)	2
5	966-1828-22	DRIVE-CH A-ASSY	1	17	743-1500-1B	E-RING	2
6	620-1838-21	D-SHIFT LINK A	1	18	746-0870-00	WASHER	1
7	620-1837-20	DRIVE CHASSIS B	1	19	621-1807-00	RUBBER PART	1
8	620-1836-20	DR-SUPPORT-PL	1	20	622-1850-20	D-SHIFT ROLLERE	1
9	622-1743-21	D-SHIFT ROLLER B	1	21	347-8392-00	FPC WASHER	1
10	716-3450-00	SCREW(M1.7x2)	2	22	716-3451-02	SCREW(M1.7x2.5 sealock)	1
11	716-3603-00	SCREW(M1.7x5)	1	23	345-5868-01	RUBBER PART	1



## Upper unit assy section



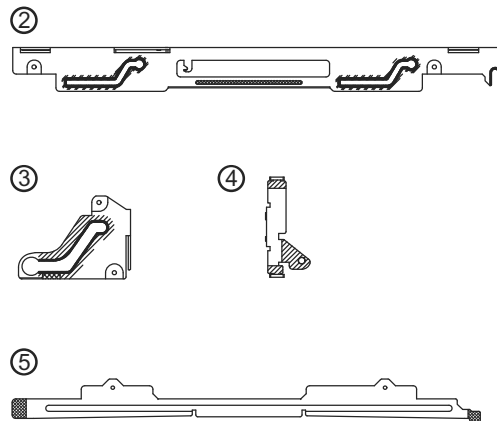
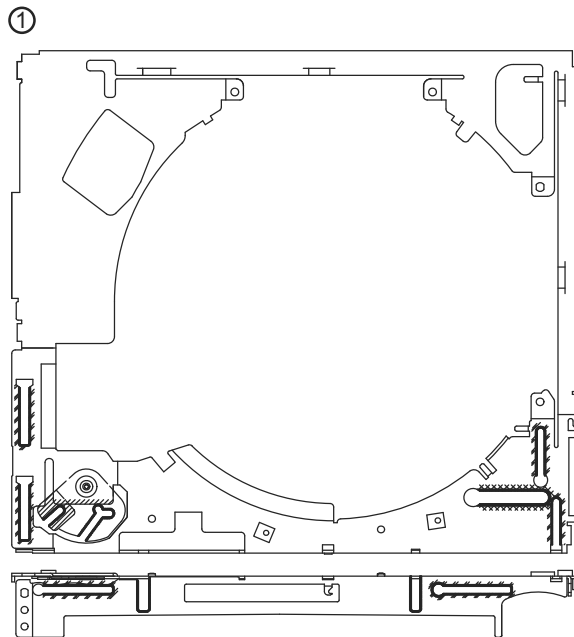
\* Do not reuse the following parts.  
(No.6,7,9)

NO.	PART NO.	DESCRIPTION	Q'TY
1	966-1823-21	UPPER-CHA-ASSY	1
2	966-1824-20	LO-SHIFT A ASSY	1
3	966-1791-20	LO-SHIFT B ASSY	1
4	966-1825-20	LO-SHIFT C ASSY	1
5	966-1826-20	SHUTTER ASSY	1
6	HBS-613-100	U-SEN-FPC-ASSY	1
6-1	-----	SENSOR-U-FPC	1
7	347-8216-00	RATTLE SHEET	1
8	750-6850-21	SHUTTER SPRING	1
9	746-0870-00	WASHER	1

### [Grease Point]

\* Grease : SANKOL FG-87HSR

	Put grease on the surface	
	Put grease on the reverse side	
	Put grease on the both sides	
	Put grease on the edge	



# ELECTRICAL PARTS LIST

## CD PWB(BM1) section

\* The parts of the same reference number are alternative

REF No.	PART No.	DESCRIPTION	REF No.	PART No.	DESCRIPTION	REF No.	PART No.	DESCRIPTION
C1	168-1052-78	16V 1uF K	C75	168-1042-78	16V 0.1uF K	R13	119-1011-15	1/10W 100 ohm
C3	168-1042-78	16V 0.1uF K	C76	168-5622-55	5600pF K	R14	119-2231-15	1/10W 22k ohm
C4	043-0559-90	6.3V 22uF	C77	168-1032-55	0.01uF K	R15	119-8231-15	1/10W 82k ohm
C5	168-1032-55	0.01uF K	C79	166-1501-50	15pF CH	R16	119-1041-15	1/10W 100k ohm
C6	042-1702-90	6.3V 100uF	C80	166-1501-50	15pF CH	R17	119-1041-15	1/10W 100k ohm
C7	168-1052-78	16V 1uF K	C81	168-3332-78	0.033uF K	R18	119-1041-15	1/10W 100k ohm
C9	168-1052-78	16V 1uF K	C101	043-0563-90	16V 47uF	R19	119-1041-15	1/10W 100k ohm
C11	168-1052-78	16V 1uF K	CCT1	050-0145-59	1/16W 22 ohm x4	R20	119-1041-15	1/10W 100k ohm
C12	042-0671-01	10V 47uF TA	CCT2	050-0145-54	1/16W 47k ohm x4	R21	119-2221-15	1/10W 2.2k ohm
C13	168-1052-78	16V 1uF K	CCT3	050-0145-54	1/16W 47k ohm x4	R22	119-4711-15	1/10W 470 ohm
C14	168-1042-78	16V 0.1uF K	CCT4	050-0145-55	1/16W 10k ohm x4	R23	119-1051-15	1/10W 1M ohm
C15	168-1052-78	16V 1uF K	CCT5	050-0140-55	1/32W 2.2k ohmx4J	R24	119-2211-15	1/10W 220 ohm
C16	043-0559-90	6.3V 22uF	D1	001-4301-14	HZU 3.0B1	R25	119-2211-15	1/10W 220 ohm
C17	168-1032-55	0.01uF K	D1	001-0529-14	MA8030-L	R26	119-1041-15	1/10W 100k ohm
C18	168-1052-78	16V 1uF K	D2	001-0367-91	1SS226	R28	119-1041-15	1/10W 100k ohm
C19	043-0559-90	6.3V 22uF	D3	001-4301-13	HZU 2.7B2	R29	119-1041-15	1/10W 100k ohm
C20	168-1042-78	16V 0.1uF K	D3	001-0529-13	MA8027H-TX	R30	119-4701-15	1/10W 47 ohm
C21	168-1032-55	0.01uF K	D4	001-4301-18	HZU 3.6B1	R31	119-2201-15	1/10W 22 ohm
C23	043-0559-90	6.3V 22uF	D4	001-0529-18	MA8036-L	R33	119-2211-15	1/10W 220 ohm
C24	043-0559-90	6.3V 22uF	D5	001-2612-90	RB520S-30	R35	119-1051-15	1/10W 1M ohm
C25	168-4732-78	0.047uF K	D6	001-2612-90	RB520S-30	R36	119-4721-15	1/10W 4.7k ohm
C26	166-4711-50	470pF CH	D7	001-9210-50	AVR-	R37	119-4731-15	1/10W 47k ohm
C28	168-4732-78	0.047uF K			M1608C270MTAAD	R38	119-2231-15	1/10W 22k ohm
C29	166-4711-50	470pF CH	D8	001-9210-50	AVR-	R39	119-1041-15	1/10W 100k ohm
C30	166-1007-50	10pF CH			M1608C270MTAAD	R40	119-4721-15	1/10W 4.7k ohm
C31	166-1007-50	10pF CH	IC2	052-5071-32	TMP91CY22IFG-7BH6	R41	119-4731-15	1/10W 47k ohm
C32	168-1042-78	16V 0.1uF K				R43	119-4731-15	1/10W 47k ohm
C33	168-2222-55	2200pF K	IC3	051-6733-30	TC94A70FG-010	R44	119-2201-15	1/10W 22 ohm
C34	168-1042-78	16V 0.1uF K	IC4	051-6060-08	BD7961FM-E2	R45	119-1511-15	1/10W 150 ohm
C35	168-1042-78	16V 0.1uF K	IC5	051-5445-08	BD5227G-TR	R46	119-4721-15	1/10W 4.7k ohm
C36	168-1042-78	16V 0.1uF K	IC8	051-9402-78	BR93L56RFVM-W	R48	119-1041-15	1/10W 100k ohm
C37	168-6822-55	6800pF K	IC9	051-6072-08	BD7931FE2	R49	119-0000-05	1/10W 0 ohm JW
C39	168-1042-78	16V 0.1uF K	IC10	051-5833-00	GP1S093HCZ	R50	119-2211-15	1/10W 220 ohm
C40	168-3332-78	0.033uF K	IC11	051-3392-90	S-1323B15NB-N8ATFG	R51	119-0000-05	1/10W 0 ohm JW
C41	168-1042-78	16V 0.1uF K				R52	119-1041-15	1/10W 100k ohm
C42	168-1042-78	16V 0.1uF K	J1	074-1237-69	19P	R53	119-5621-15	1/10W 5.6k ohm
C43	168-1042-78	16V 0.1uF K	J2	074-1201-65	15P	R55	119-3341-15	1/10W 330k ohm
C45	168-1042-78	16V 0.1uF K	J3	074-1138-56	6P	R56	119-4731-15	1/10W 47k ohm
C46	168-1042-78	16V 0.1uF K	J4	074-1100-61	11P	R57	119-2231-15	1/10W 22k ohm
C48	168-1042-78	16V 0.1uF K	J5	074-1201-61	11P	R58	119-0000-05	1/10W 0 ohm JW
C49	168-1042-78	16V 0.1uF K	Q1	060-0252-01	PT4850F	R59	119-1511-15	1/10W 150 ohm
C50	168-1042-78	16V 0.1uF K	Q2	125-0021-91	DTA114EUA	R60	119-4731-15	1/10W 47k ohm
C51	168-1042-78	16V 0.1uF K	Q3	198-3018-00	2SK3018	R61	119-1041-15	1/10W 100k ohm
C52	168-5622-55	5600pF K	Q4	190-2060-00	2SA2060	R62	119-1041-15	1/10W 100k ohm
C53	168-1042-78	16V 0.1uF K	Q8	190-2060-00	2SA2060	R63	119-1041-15	1/10W 100k ohm
C54	166-6801-50	68pF CH	Q9	125-9026-90	IMF29	R64	119-1011-15	1/10W 100 ohm
C55	168-1532-55	0.015uF K	Q10	125-2027-91	DTC114EUA	R65	119-1041-15	1/10W 100k ohm
C56	168-1042-78	16V 0.1uF K	Q11	125-0021-91	DTA114EUA	R66	117-5611-15	1/8W 560 ohm
C57	168-1032-55	0.01uF K	Q12	125-2027-91	DTC114EUA	R67	117-7511-15	1/8W 750 ohm
C58	168-1042-78	16V 0.1uF K	Q13	125-9026-90	IMF29	R68	117-7511-15	1/8W 750 ohm
C59	168-1042-78	16V 0.1uF K	R1	119-6811-15	1/10W 680 ohm	R69	119-1041-15	1/10W 100k ohm
C60	168-1522-55	1500pF K	R2	119-6811-15	1/10W 680 ohm	R81	116-1591-15	1/4W 1.5 ohm
C61	168-3322-55	3300pF K	R3	032-0163-91	1/2W 10 ohm	R201	119-0000-05	1/10W 0 ohm JW
C62	168-1032-55	0.01uF K	R4	032-0163-91	1/2W 10 ohm	R212	119-1041-15	1/10W 100k ohm
C64	168-1042-78	16V 0.1uF K	R5	119-2231-15	1/10W 22k ohm	S1	013-7416-50	SPVL110200
C65	168-1032-55	0.01uF K	R6	116-1001-15	1/4W 10 ohm	S2	013-7416-50	SPVL110200
C67	168-1032-55	0.01uF K	R7	119-1021-15	1/10W 1k ohm	S3	013-7412-50	SPVG21
C69	168-1532-55	0.015uF K	R8	116-1591-15	1/4W 1.5 ohm	S4	013-7415-50	SPVG110400
C70	166-4701-50	47pF CH	R9	119-2231-15	1/10W 22k ohm	X1	061-3534-90	16.92MHz
C71	168-1042-78	16V 0.1uF K	R10	119-4711-15	1/10W 470 ohm	X3	060-1545-90	20MHz
C72	168-1042-78	16V 0.1uF K	R11	119-2211-15	1/10W 220 ohm	PWB	039-3026-20	PWB(WITHOUT COMPONENT)
C74	166-6097-50	6pF CH	R12	119-6811-15	1/10W 680 ohm			

### Sensor-L-PFC(BM2) section

REF No.	PART No.	DESCRIPTION	REF No.	PART No.	DESCRIPTION	REF No.	PART No.	DESCRIPTION
PT1	060-0252-01	PT4850F	PT3	051-5833-00	GP1S093HCZ	PWB	039-3003-20	PWB(WITHOUT COMPONENTS)
PT2	060-0252-01	PT4850F						

### Sensor-U-PFC(BM3) section

REF No.	PART No.	DESCRIPTION	REF No.	PART No.	DESCRIPTION	REF No.	PART No.	DESCRIPTION
LED1	001-7077-00	GL4804	LED3	001-7042-00	GL4800	PWB	039-3004-20	PWB(WITHOUT COMPONENTS)
LED2	001-7042-00	GL4800	S5	013-7417-50	ABC1122P161			