

**JVC**

**PARTS LIST**

**CD RECEIVER**

**KW-HDR720J**



## ■ PRECAUTIONS ON SCHEMATIC DIAGRAMS

- Due to the improvement in performance, some part numbers shown in the circuit diagrams may not agree with those indicated in the Parts List.
- The parts numbers, values and rated voltage etc. in the Schematic Diagrams are for reference only.
- Since the circuit diagrams are standard ones, the circuits and circuit constants may be subject to change for improvement without any notice.

## ■ PRECAUTIONS ON PARTS LIST

- The parts identified by the  $\triangle$  symbol are critical for safety. Whenever replacing these parts, be sure to use specified ones to secure the safety.
- The parts not indicated in this Parts List and those which are filled with lines --- in the Parts No. columns will not be supplied.
- P.W. BOARD Ass'y will not be supplied, but those which are filled with the Parts No. in the Parts No. columns will be supplied.
- When ordering chips, screws etc., place bulk orders (unit of tens) whenever possible to improve shipping efficiency.
- There are cases where the actual implemented parts in the sets and the service parts are different. When ordering parts, make sure to refer to the Parts List.

## ■ PRECAUTIONS ON SERVICE

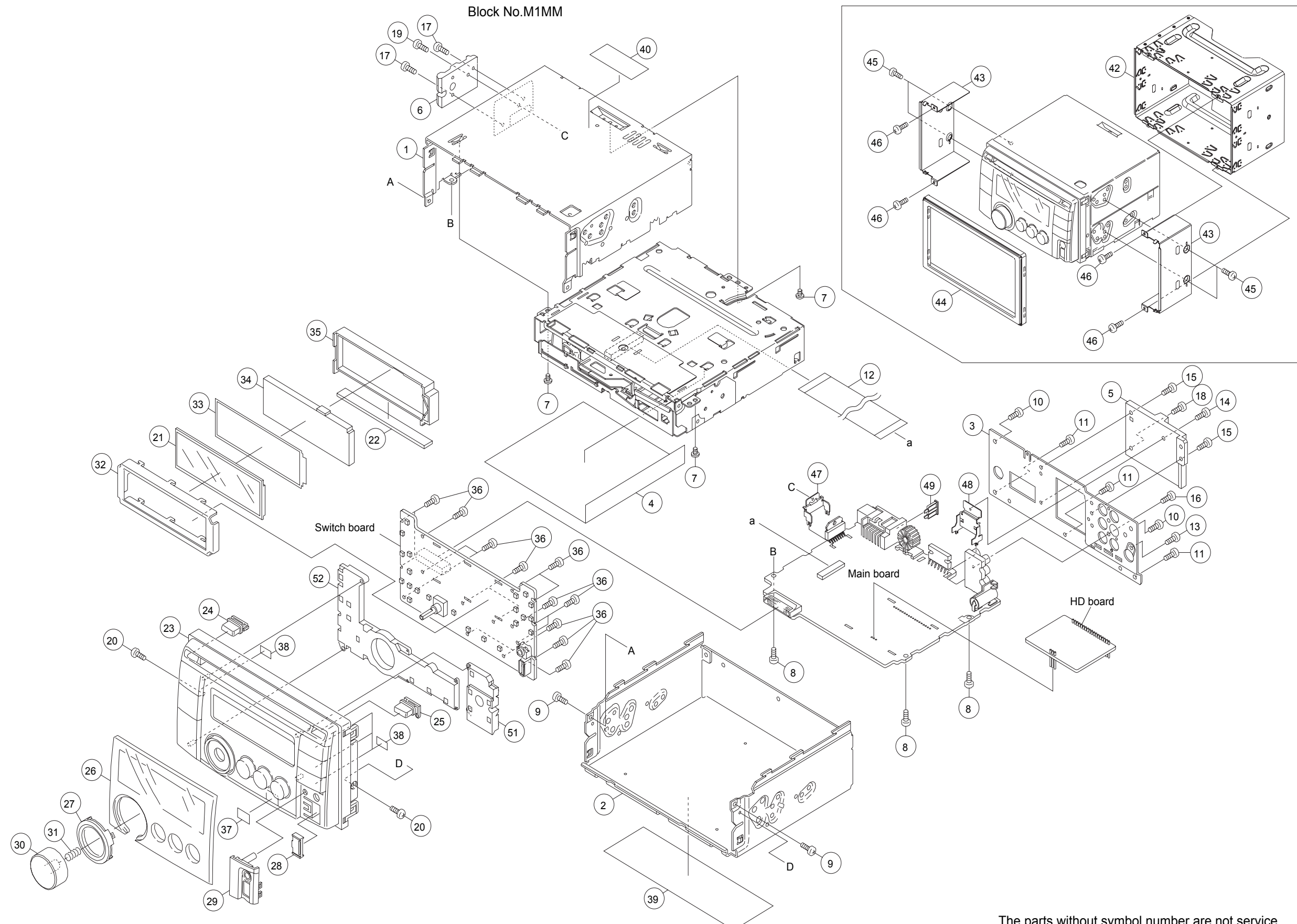
Certain parts of the power circuits and the GNDs differ according to the models. Care must be taken for the following points as the differences are indicated separately in the LIVE GND () and the ISOLATED (NEUTRAL) GND (.

1. Do not touch the LIVE GND, or do not touch the LIVE GND and the ISOLATED (NEUTRAL) GND at the same time. It may cause an electric shock.  
Before pulling out the chassis or other parts, make sure to pull out the power cord from the wall outlet first.
2. Do not short circuit between the LIVE GND and ISOLATED (NEUTRAL) GND, or never measure the LIVE GND and ISOLATED (NEUTRAL) GND at the same time using measuring instruments (oscilloscope, etc.). It may blow fuses or damage other parts.

## ■ DEVIATION TOLERANCE RANGE

DEVIATION TOLERANCE RANGE									
F	G	J	K	M	N	R	H	Z	P
± 1%	± 2%	± 5%	±10%	±20%	±30%	+30% -10%	+50% -10%	+80% -20%	+100% -0%

# Exploded view of general assembly

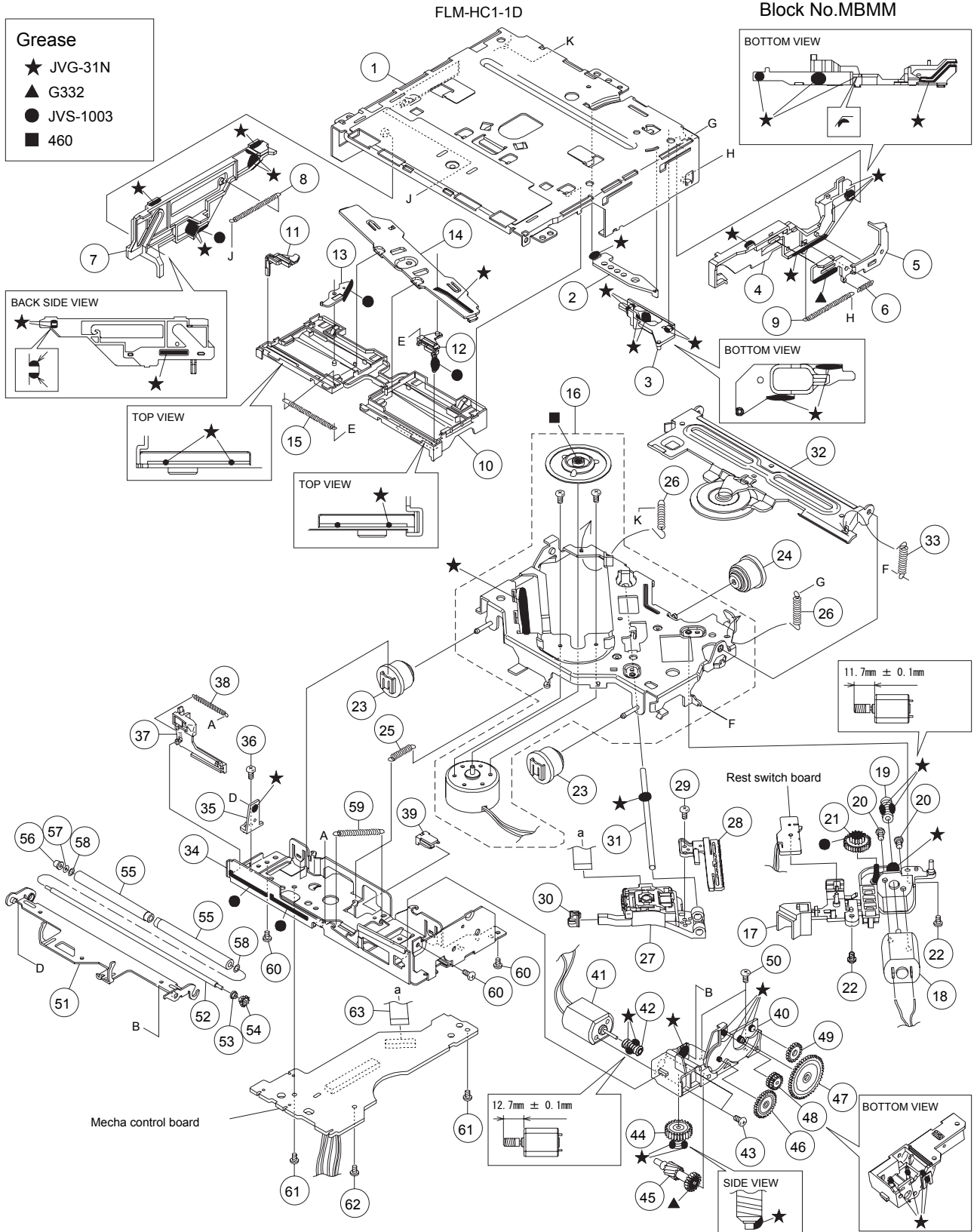


The parts without symbol number are not service.

MODEL	MARK
KW-HDR720J	

Safe	Symbol No.	Parts No.	Parts Name	Description	QTY	Local
<b>General assembly &lt;M1MM&gt;</b>						
	1	GE10275-001A	TOP CHASSIS		1	
	2	GE10276-001A	BOTTOM CHASSIS		1	
	3	GE33960-007A	REAR BRACKET		1	
	4	GE34327-001A	SHIELD COVER		1	
	5	GE33962-002A	HEAT SINK		1	
	6	GE40395-006A	SIDE PANEL		1	
	7	QYSDST2604ZA	TAP SCREW	M2.6 x 4mm	3	
	8	LV44800-005A	SCREW		3	
	9	QYSDST2606ZA	TAP SCREW	M2.6 x 6mm	2	
	10	QYSDST2606ZA	TAP SCREW	M2.6 x 6mm	2	
	11	QYSDST2606ZA	TAP SCREW	M2.6 x 6mm	3	
	12	WJT0275-001A-E	E-CARD WIRE		1	
	13	QYSDST2606ZA	TAP SCREW	M2.6 x 6mm	1	
	14	GE40377-001A	SCREW		1	
	15	GE40377-001A	SCREW		2	
	16	QYSDSF2608ZA	TAP SCREW	M2.6 x 8mm	1	
	17	LV44800-005A	SCREW		2	
	18	GE40377-003A	SPECIAL SCREW		1	
	19	QYSDST2608ZA	TAP SCREW	M2.6 x 8mm	1	
	20	QYSDST2004ZA	TAP SCREW	M2 x 4mm	2	
	21	QLD0643-001	LCD MODULE		1	
	22	QNZ1032-001	RUBBER CONNE		1	
	23	GE34021-034A	FRT PANEL ASSY		1	
	24	GE33963-001A	EJECT BUTTON		1	
	25	GE33964-001A	DISP BUTTON		1	
	26	GE34022-021A	FINDER ASSY		1	
	27	GE33966-002A	RIM COVER		1	
	28	GE40408-001A	USB DOOR		1	
	29	GE33967-002A	USB AUX COVER		1	
	30	GE33965-002A	VOLUME KNOB		1	
	31	GE40127-001A	KNOB SPRING		1	
	32	GE33969-001A	LCD CASE 4.6		1	
	33	GE40490-001A	LIGHTING SHEET		1	
	34	GE33971-001A	LCD LENS 4.6		1	
	35	GE33973-001A	LENS CASE 4.6		1	
	36	VKZ4777-010	MINI SCREW		16	
	37	GE40431-004A	REMOTE SHEET		1	
	38	GE40218-0B2A	SHEET		4	
	39	GE34447-002A	NAME PLATE		1	
	40	GE40442-001A	FCC RULE LABEL		1	
	42	LV22425-007A	SLEEVE ASSY		1	
	43	LV37151-004A	SUPPORT BKT		2	
	44	GE20225-001A	TRIM PLATE		1	
	45	QYSSSP5008ZA	SCREW	M5 x 8mm	4	
	46	QYSDST2604ZA	TAP SCREW	M2.6 x 4mm	4	
	47	GE34239-001A	REG IC BRACKET		1	
	48	GE40354-001A	IC BRACKET		1	
△	49	QMFZ064-100-J1	FUSE	10A	1	
	51	GE33977-001A	PRESET LIGHT		1	
	52	GE33978-002A	EQ LIGHT GUIDE		1	

# CD mechanism assembly



The parts without symbol number are not service.

MODEL	MARK
KW-HDR720J	

Safe	Symbol No.	Parts No.	Parts Name	Description	QTY	Local
<b>CD mechanism (FLM-HC1-1D) &lt;MBMM&gt;</b>						
1		LV11685-003A	TOP FRAME		1	
2		LV38953-001A	TRIGGER PLATE		1	
3		LV38952-001A	FL SLIDER(B)		1	
4		LV22826-002A	LOAD CAM		1	
5		LV38951-001A	TRIGGER RACK		1	
6		LV45415-001A	TRIGGER SPRING		1	
7		LV22827-001A	FL SLIDER(L)		1	
8		LV45416-001A	LOAD CAM SPRING		1	
9		LV45417-001A	FL SLIDER SPRING		1	
10		LV11689-001A	DISC GUIDE		1	
11		LV38956-001A	SW SLIDER(L)		1	
12		LV38957-001A	SW SLIDER(R)		1	
13		LV39009-001A	JOINT LEVER		1	
14		LV38958-001A	JOINT PLATE		1	
15		LV45420-002A	SW SLIDER SPRING		1	
16		CM-FLMHC1D	SPINDLE MOTOR ASSY		1	
17		LV22828-001A	FEED BRACKET		1	
18		QAR0144-003	MOTOR	2.0V DC	1	
19		LV36814-001A	F WORM GEAR		1	
20		QYSPPT2025MA	SCREW	M2 x 2.5mm	2	
21		LV36815-002A	F WHEEL GEAR		1	
22		VKZ4539-054	MINI SCREW		2	
23		LV36904-001A	DAMPER		2	
24		LV37061-001A	DAMPER		1	
25		LV45422-001A	SUS SPRING(F)		1	
26		LV45423-001A	SUS SPRING(B)		2	
27		QAL1226-001	PICK UP		1	
28		LV38960-001A	FEED RACK		1	
29		QYSPSGT1745ZA	TAP SCREW	M1.7 x 4.5mm	1	
30		LV36813-201A	SUB GUIDE CAP		1	
31		LV44555-001A	MAIN SHAFT		1	
32		LV38950-002A	HC CL.BASE ASSY		1	
33		LV45421-001A	HC CL.SPRING		1	
34		LV11686-001A	BOTTOM FRAME		1	
35		LV38954-002A	R.ARM GUIDE		1	
36		VKZ4539-054	MINI SCREW		1	
37		LV38959-001A	SW ACTUATOR		1	
38		LV45505-001A	SW ACT SPRING		1	
39		LV38962-001A	WIRE GUIDE		1	
40		LV11688-001A	LOADING BASE		1	
41		QAR0144-003	MOTOR	2.0V DC	1	
42		LV38963-001A	D.WORM GEAR		1	
43		QYSPPT2025MA	SCREW	M2 x 2.5mm	2	
44		LV38964-001A	D.WHEEL GEAR		1	
45		LV38965-002A	ACT GEAR(1)		1	
46		LV38966-001A	ACT GEAR(2)		1	
47		LV38967-001A	ACT GEAR(3)		1	
48		LV38968-001A	ROLLER ACT GEAR		1	
49		LV38969-001A	DRIVE GEAR		1	
50		VKZ4539-054	MINI SCREW		2	
51		LV11690-001A	ROLLER ARM		1	
52		LV45413-004A	HC ROLLER SHAFT		1	
53		LV45412-001A	RA COLLAR(R)		1	
54		LV38970-001A	HC ROLLER GEAR		1	
55		LV45424-001A	HC ROLLER		2	
56		LV45411-002A	RA COLLAR(L)		1	
57		LV45270-001A	WASHER 2		1	
58		LV45449-001A	WASHER		2	
59		LV45418-001A	R.ARM SPRING		1	
60		VKZ4539-054	MINI SCREW		3	
61		VKZ4539-054	MINI SCREW		2	
62		VKZ4539-054	MINI SCREW		1	
63		QAL0817-003	FPC WIRE		1	
<b>Electrical parts list Main board &lt;01&gt;</b>						
△	IC1	TDA7706	IC		1	
	IC80	MFI341S2162-X	IC		1	
	IC161	TDA7718N-X	IC		1	
△	IC301	TDA7851A	IC		1	
△	IC501	LA6565-X	IC		1	
	IC530	XC6213B332NG-X	IC		1	
	IC531	XC6213B152NG-X	IC		1	
	IC532	XC6213B152NG-X	IC		1	
	IC540	JCV8023	IC		1	
	IC580	NJM4565E-X	IC		1	
△	IC701	JES201G	IC		1	
	IC702	XC6120N282NG-X	IC		1	
	IC771	R1EX24256ASAS-X	IC		1	
△	IC901	LV5680P	IC		1	
△	IC910	NJM2855DL1-33-X	IC		1	
	IC912	XC6222B121PG-X	IC		1	
	IC922	TC7WBL126AFK-X	IC(DIGITAL)		1	
	IC931	XC6213B332NG-X	IC		1	
	IC981	MP2562DS-X	IC		1	
	IC983	NJM2855DL1-05-X	IC		1	
	Q251	IMX9-W	PAIR TRANSISTOR		1	
	Q321	IMX9-W	PAIR TRANSISTOR		1	
	Q341	IMX9-W	PAIR TRANSISTOR		1	
	Q540	2SA2188/F-X	TRANSISTOR		1	
	Q780	RT1P241C-X	TRANSISTOR		1	
	Q781	RT1N241C-X	DIGI TRANSISTOR		1	

MODEL	MARK
KW-HDR720J	

Safe	Symbol No.	Parts No.	Parts Name	Description	QTY	Local
	Q782	RT1P241C-X	TRANSISTOR		1	
	Q881	RT1N141C-X	DIGI TRANSISTOR		1	
	Q951	2SA812A/5-6/-X	TRANSISTOR		1	
	Q952	RT1N441C-X	TRANSISTOR		1	
	Q963	RT1N441C-X	TRANSISTOR		1	
	Q964	RSQ025P03-W	TRANSISTOR		1	
	Q965	RT1N441C-X	TRANSISTOR		1	
△	Q966	RSQ025P03-W	TRANSISTOR		1	
	Q970	2SC1623A/5-6/-X	TRANSISTOR		1	
	Q971	2SC1623A/5-6/-X	TRANSISTOR		1	
	Q981	RT1N441C-X	TRANSISTOR		1	
	D1	RN731V-X	SI DIODE		1	
	D3	RN731V-X	SI DIODE		1	
	D100	DZ2J062/M/-X	Z DIODE		1	
	D101	DZ2J062/M/-X	Z DIODE		1	
	D110	DZ2J062/M/-X	Z DIODE		1	
	D111	DZ2J062/M/-X	Z DIODE		1	
	D120	DZ2J062/M/-X	Z DIODE		1	
	D121	DZ2J062/M/-X	Z DIODE		1	
	D130	DZ2J062/M/-X	Z DIODE		1	
	D131	DZ2J062/M/-X	Z DIODE		1	
	D251	BAW56-TP-X	SI DIODE		1	
	D321	BAW56-TP-X	SI DIODE		1	
	D341	BAW56-TP-X	SI DIODE		1	
	D502	GS1J-LTP-X	DIODE		1	
	D540	DA2J101-X	SI DIODE		1	
	D704	DZ2J051/M/-X	Z DIODE		1	
	D780	BAW56-TP-X	SI DIODE		1	
	D781	BAW56-TP-X	SI DIODE		1	
	D782	DA2J101-X	SI DIODE		1	
	D783	BAW56-TP-X	SI DIODE		1	
	D891	BAW56-TP-X	SI DIODE		1	
	D891	or MC2836-X	DIODE		1	
	D901	1N5401-BPC04	SI DIODE		1	
	D938	CRS03-W	SB DIODE		1	
	D941	MBRX130-TP-X	SB DIODE		1	
	D942	MBRX130-TP-X	SB DIODE		1	
	D970	DZ2J068/M/-X	Z DIODE		1	
	D971	DZ2J068/M/-X	Z DIODE		1	
	D981	DB22306-X	SB DIODE		1	
	D982	DA2J101-X	SI DIODE		1	
	C1	NDC31HJ-330X	C CAPACITOR	33pF 50V J	1	
	C4	NCB31HK-102X	C CAPACITOR	1000pF 50V K	1	
	C6	NDC31HJ-390X	C CAPACITOR	39pF 50V J	1	
	C8	NDC31HJ-6R0X	C CAPACITOR	6pF 50V J	1	
	C9	NCB31HK-102X	C CAPACITOR	1000pF 50V K	1	
	C10	NCB31HK-103X	C CAPACITOR	0.01uF 50V K	1	
	C17	NCJ11EK-106X-R	C CAPACITOR	10uF 25V	1	
	C18	NCB31HK-103X	C CAPACITOR	0.01uF 50V K	1	
	C19	NRSA63J-0R0X	MG RESISTOR	0Ω 1/10W J	1	
	C21	NCB20JK-106X	C CAPACITOR	10uF 6.3V K	1	
	C22	NCB31CK-104X	C CAPACITOR	0.1uF 16V	1	
	C23	NDC31HJ-101X	C CAPACITOR	100pF 50V J	1	
	C24	NCB31HK-104X	C CAPACITOR	0.1uF 50V K	1	
	C25	NCB31HK-103X	C CAPACITOR	0.01uF 50V K	1	
	C26	NDC31HJ-820X	C CAPACITOR	82pF 50V J	1	
	C27	NCB31CK-105X	C CAPACITOR	1uF 16V K	1	
	C28	NCB31HK-103X	C CAPACITOR	0.01uF 50V K	1	
	C29	NDC31HJ-561X	C CAPACITOR	560pF 50V J	1	
	C30	NCB20JK-106X	C CAPACITOR	10uF 6.3V K	1	
	C31	NCB31CK-224X	C CAPACITOR	0.22uF 16V K	1	
	C32	NCB31CK-104X	C CAPACITOR	0.1uF 16V	1	
	C33	NCB31HK-472X	C CAPACITOR	4700pF 50V K	1	
	C34	NDC31HJ-471X	C CAPACITOR	470pF 50V J	1	
	C35	NDC31HJ-100X	C CAPACITOR	10pF 50V J	1	
	C36	NCB31HK-103X	C CAPACITOR	0.01uF 50V K	1	
	C40	NCB31HK-102X	C CAPACITOR	1000pF 50V K	1	
	C41	NCB31HK-102X	C CAPACITOR	1000pF 50V K	1	
	C42	NCB31CK-105X	C CAPACITOR	1uF 16V K	1	
	C43	QEKJ1HM-475Z-S	E CAPACITOR	4.7uF 50V M	1	
	C44	QEKJ1HM-475Z-S	E CAPACITOR	4.7uF 50V M	1	
	C45	NCB31CK-105X	C CAPACITOR	1uF 16V K	1	
	C46	NDC31HJ-7R0X	C CAPACITOR	7pF 50V J	1	
	C47	NDC31HJ-7R0X	C CAPACITOR	7pF 50V J	1	
	C48	NCB31HK-104X	C CAPACITOR	0.1uF 50V K	1	
	C49	NCB31HK-104X	C CAPACITOR	0.1uF 50V K	1	
	C51	NCB31CK-104X	C CAPACITOR	0.1uF 16V	1	
	C53	NCB31CK-104X	C CAPACITOR	0.1uF 16V	1	
	C56	NDC31HJ-220X	C CAPACITOR	22pF 50V J	1	
	C57	NDC31HJ-220X	C CAPACITOR	22pF 50V J	1	
	C59	NDC31HJ-5R0X	C CAPACITOR	5pF 50V J	1	
	C63	NCB31CK-105X	C CAPACITOR	1uF 16V K	1	
	C64	NCB31HK-104X	C CAPACITOR	0.1uF 50V K	1	
	C65	NCB31CK-474X	C CAPACITOR	0.47uF 16V K	1	
	C66	NCB31HK-103X	C CAPACITOR	0.01uF 50V K	1	
	C67	NCB31HK-103X	C CAPACITOR	0.01uF 50V K	1	
	C68	NCB31AK-105X	C CAPACITOR	1uF 10V K	1	
	C69	NCB31AK-105X	C CAPACITOR	1uF 10V K	1	
	C70	NDC31HJ-471X	C CAPACITOR	470pF 50V J	1	
	C71	NCB31HK-102X	C CAPACITOR	1000pF 50V K	1	
	C72	NDC31HJ-4R0X	C CAPACITOR	4pF 50V J	1	
	C73	NDC31HJ-120X	C CAPACITOR	12pF 50V J	1	
	C74	QTE1C57-107Z	E CAPACITOR	100uF 16V	1	

MODEL	MARK
KW-HDR720J	

Safe	Symbol No.	Parts No.	Parts Name	Description	QTY	Local
	C76	NCB31HK-104X	C CAPACITOR	0.1uF 50V K	1	
	C80	NCB31CK-473X	C CAPACITOR	0.047uF 16V K	1	
	C81	NDC31HJ-471X	C CAPACITOR	470pF 50V J	1	
	C101	NCB31CK-105X	C CAPACITOR	1uF 16V K	1	
	C102	NCB31CK-105X	C CAPACITOR	1uF 16V K	1	
	C111	NCB31CK-105X	C CAPACITOR	1uF 16V K	1	
	C112	NCB31CK-104X	C CAPACITOR	0.1uF 16V	1	
	C121	NCB31CK-105X	C CAPACITOR	1uF 16V K	1	
	C122	NCB31CK-105X	C CAPACITOR	1uF 16V K	1	
	C131	NCB31CK-105X	C CAPACITOR	1uF 16V K	1	
	C132	NCB31CK-104X	C CAPACITOR	0.1uF 16V	1	
	C160	QTE1C57-106Z	E CAPACITOR	10uF 16V	1	
	C161	QEKJ1HM-475Z	E CAPACITOR	4.7uF 50V M	1	
	C162	QEKJ1HM-475Z	E CAPACITOR	4.7uF 50V M	1	
	C166	NCB31CK-104X	C CAPACITOR	0.1uF 16V	1	
	C168	NCB31CK-104X	C CAPACITOR	0.1uF 16V	1	
	C169	NCB31AK-105X	C CAPACITOR	1uF 10V K	1	
	C170	NCB31AK-105X	C CAPACITOR	1uF 10V K	1	
	C171	NCB31AK-105X	C CAPACITOR	1uF 10V K	1	
	C172	QTE1A57-107Z	E CAPACITOR	100uF 10V	1	
	C173	QEKJ1HM-475Z	E CAPACITOR	4.7uF 50V M	1	
	C174	QEKJ1HM-475Z	E CAPACITOR	4.7uF 50V M	1	
	C177	NCB31AK-105X	C CAPACITOR	1uF 10V K	1	
	C251	QEKJ1HM-106Z	E CAPACITOR	10uF 50V M	1	
	C252	QEKJ1HM-106Z	E CAPACITOR	10uF 50V M	1	
	C253	NDC31HJ-101X	C CAPACITOR	100pF 50V J	1	
	C254	NDC31HJ-101X	C CAPACITOR	100pF 50V J	1	
	C301	NCB21CK-474X-A	C CAPACITOR	0.47uF 16V K	1	
	C302	NCB21CK-474X-A	C CAPACITOR	0.47uF 16V K	1	
	C303	NCB21CK-474X-A	C CAPACITOR	0.47uF 16V K	1	
	C304	NCB21CK-474X-A	C CAPACITOR	0.47uF 16V K	1	
	C305	QTE1C66-474Z	E CAPACITOR	0.47uF 16V	1	
	C306	QTE1C66-474Z	E CAPACITOR	0.47uF 16V	1	
	C307	QTE1C66-474Z	E CAPACITOR	0.47uF 16V	1	
	C308	QTE1C66-474Z	E CAPACITOR	0.47uF 16V	1	
	C309	QTE1C57-476Z	E CAPACITOR	47uF 16V	1	
	C310	QERF1CM-106Z-E	E CAPACITOR	10uF 16V M	1	
	C311	NCB31CK-104X	C CAPACITOR	0.1uF 16V	1	
	C312	NCB31CK-104X	C CAPACITOR	0.1uF 16V	1	
	C313	NCB21AK-105X-A	C CAPACITOR	1uF 10V K	1	
	C314	NCB31AK-105X	C CAPACITOR	1uF 10V K	1	
	C315	NCB31AK-105X	C CAPACITOR	1uF 10V K	1	
	C320	QEKJ1HM-106Z	E CAPACITOR	10uF 50V M	1	
	C321	NDC31HJ-101X	C CAPACITOR	100pF 50V J	1	
	C330	QEKJ1HM-106Z	E CAPACITOR	10uF 50V M	1	
	C331	NDC31HJ-101X	C CAPACITOR	100pF 50V J	1	
	C340	QEKJ1HM-106Z	E CAPACITOR	10uF 50V M	1	
	C341	NDC31HJ-101X	C CAPACITOR	100pF 50V J	1	
	C350	QEKJ1HM-106Z	E CAPACITOR	10uF 50V M	1	
	C351	NDC31HJ-101X	C CAPACITOR	100pF 50V J	1	
	C403	NDC31HJ-101X	C CAPACITOR	100pF 50V J	1	
	C408	NDC31HJ-101X	C CAPACITOR	100pF 50V J	1	
	C503	NCBA1CK-104W	C CAPACITOR	0.1uF 16V K	1	
	C504	NCB31HK-104X	C CAPACITOR	0.1uF 50V K	1	
	C511	NCBA1HK-471W	C CAPACITOR	470pF 50V K	1	
	C512	NCBA1HK-471W	C CAPACITOR	470pF 50V K	1	
	C513	NCB31CK-104X	C CAPACITOR	0.1uF 16V	1	
	C514	QERF1AM-107Z	E CAPACITOR	100uF 10V M	1	
	C517	NCB31CK-104X	C CAPACITOR	0.1uF 16V	1	
	C530	QTE0J57-476Z	E CAPACITOR	47uF 6.3V	1	
	C531	NCB31HK-104X	C CAPACITOR	0.1uF 50V K	1	
	C532	QTE0J57-476Z	E CAPACITOR	47uF 6.3V	1	
	C533	NCBA1CK-104W	C CAPACITOR	0.1uF 16V K	1	
	C534	QTE0J57-476Z	E CAPACITOR	47uF 6.3V	1	
	C535	NCBA1CK-104W	C CAPACITOR	0.1uF 16V K	1	
	C540	NCB31CK-104X	C CAPACITOR	0.1uF 16V	1	
	C541	NCB31HK-222X	C CAPACITOR	2200pF 50V K	1	
	C542	NCB31HK-104X	C CAPACITOR	0.1uF 50V K	1	
	C543	NCBA1EK-103W	C CAPACITOR	0.01uF 25V K	1	
	C544	NCBA1HK-332W	C CAPACITOR	3300pF 50V K	1	
	C545	NCBA1CK-104W	C CAPACITOR	0.1uF 16V K	1	
	C546	NCB31AK-105X	C CAPACITOR	1uF 10V K	1	
	C547	NCB31HK-153X	C CAPACITOR	0.015uF 50V K	1	
	C548	NDC31HJ-680X	C CAPACITOR	68pF 50V J	1	
	C549	NCB31HK-104X	C CAPACITOR	0.1uF 50V K	1	
	C550	NCB20JK-106X	C CAPACITOR	10uF 6.3V K	1	
	C551	NCB31HK-104X	C CAPACITOR	0.1uF 50V K	1	
	C552	NCB31HK-333X	C CAPACITOR	0.033uF 50V K	1	
	C553	NCB31HK-472X	C CAPACITOR	4700pF 50V K	1	
	C554	NDC31HJ-391X	C CAPACITOR	390pF 50V J	1	
	C555	NDC31HJ-681X	C CAPACITOR	680pF 50V J	1	
	C556	NCB31CK-683X	C CAPACITOR	0.068uF 16V K	1	
	C557	NCB31EK-473X	C CAPACITOR	0.047uF 25V K	1	
	C558	NCB31HK-104X	C CAPACITOR	0.1uF 50V K	1	
	C559	NCB31HK-104X	C CAPACITOR	0.1uF 50V K	1	
	C560	NDC31HJ-101X	C CAPACITOR	100pF 50V J	1	
	C561	NCB20JK-106X	C CAPACITOR	10uF 6.3V K	1	
	C562	NCB20JK-106X	C CAPACITOR	10uF 6.3V K	1	
	C563	NDC31HJ-101X	C CAPACITOR	100pF 50V J	1	
	C564	NCB31HK-104X	C CAPACITOR	0.1uF 50V K	1	
	C565	NCB31HK-104X	C CAPACITOR	0.1uF 50V K	1	
	C566	NCB31HK-104X	C CAPACITOR	0.1uF 50V K	1	

MODEL	MARK
KW-HDR720J	

Safe	Symbol No.	Parts No.	Parts Name	Description	QTY	Local
	C567	NCB31AK-105X	C CAPACITOR	1uF 10V K	1	
	C568	NCB31HK-104X	C CAPACITOR	0.1uF 50V K	1	
	C569	NCB31HK-104X	C CAPACITOR	0.1uF 50V K	1	
	C570	NCB31HK-104X	C CAPACITOR	0.1uF 50V K	1	
	C571	NDC31HJ-470X	C CAPACITOR	47pF 50V J	1	
	C572	NCB31HK-153X	C CAPACITOR	0.015uF 50V K	1	
	C573	NCB31HK-104X	C CAPACITOR	0.1uF 50V K	1	
	C574	NCB31HK-103X	C CAPACITOR	0.01uF 50V K	1	
	C576	NCB31HK-152X	C CAPACITOR	1500pF 50V K	1	
	C582	NCB31HK-821X	C CAPACITOR	820pF 50V K	1	
	C583	NCB31HK-821X	C CAPACITOR	820pF 50V K	1	
	C584	QERF1HM-475Z	E CAPACITOR	4.7uF 50V M	1	
	C585	NDC31HJ-680X	C CAPACITOR	68pF 50V J	1	
	C586	QERF1HM-475Z	E CAPACITOR	4.7uF 50V M	1	
	C587	NDC31HJ-680X	C CAPACITOR	68pF 50V J	1	
	C588	NCB31HK-104X	C CAPACITOR	0.1uF 50V K	1	
	C590	QTE0J57-476Z	E CAPACITOR	47uF 6.3V	1	
	C591	QTE0J57-476Z	E CAPACITOR	47uF 6.3V	1	
	C594	NDC31HJ-680X	C CAPACITOR	68pF 50V J	1	
	C595	NDC31HJ-680X	C CAPACITOR	68pF 50V J	1	
	C701	NDC31HJ-100X	C CAPACITOR	10pF 50V J	1	
	C702	NDC31HJ-100X	C CAPACITOR	10pF 50V J	1	
	C703	NCB31HK-103X	C CAPACITOR	0.01uF 50V K	1	
	C705	NCB31CK-104X	C CAPACITOR	0.1uF 16V	1	
	C706	NCBA1AK-104W	C CAPACITOR	0.1uF 10V K	1	
	C708	NCB31CK-104X	C CAPACITOR	0.1uF 16V	1	
	C709	NCB31CK-104X	C CAPACITOR	0.1uF 16V	1	
	C711	NCB31CK-104X	C CAPACITOR	0.1uF 16V	1	
	C712	NCBA1CK-104W	C CAPACITOR	0.1uF 16V K	1	
	C713	NCBA1CK-104W	C CAPACITOR	0.1uF 16V K	1	
	C714	NCB31CK-104X	C CAPACITOR	0.1uF 16V	1	
	C715	NCB31CK-104X	C CAPACITOR	0.1uF 16V	1	
	C716	NCBA1CK-104W	C CAPACITOR	0.1uF 16V K	1	
	C717	NCB31CK-104X	C CAPACITOR	0.1uF 16V	1	
	C718	NCB31AK-474X	C CAPACITOR	0.47uF 10V K	1	
	C722	NCB31CK-105X	C CAPACITOR	1uF 16V K	1	
	C723	NCBA1CK-473W	C CAPACITOR	0.047uF 16V M	1	
	C724	NDC31HJ-180X	C CAPACITOR	18pF 50V J	1	
	C725	NDC31HJ-180X	C CAPACITOR	18pF 50V J	1	
	C728	NCJ11EK-106X-R	C CAPACITOR	10uF 25V	1	
	C761	NCJ11EK-106X-R	C CAPACITOR	10uF 25V	1	
	C764	NCBA1AK-104W	C CAPACITOR	0.1uF 10V K	1	
	C765	NCBA1AK-104W	C CAPACITOR	0.1uF 10V K	1	
	C766	NCBA1AK-104W	C CAPACITOR	0.1uF 10V K	1	
	C881	QEKJ1CM-226Z	E CAPACITOR	22uF 16V M	1	
	C891	NCB31HK-104X	C CAPACITOR	0.1uF 50V K	1	
	C901	QEZ0869-278	E CAPACITOR	2700uF	1	
	C903	QEKJ1CM-226Z	E CAPACITOR	22uF 16V M	1	
	C904	QEKJ1CM-476Z	E CAPACITOR	47uF 16V M	1	
	C905	NCB31CK-104X	C CAPACITOR	0.1uF 16V	1	
	C906	QEKJ1CM-107Z	E CAPACITOR	100uF 16V M	1	
	C907	QEKJ1CM-107Z	E CAPACITOR	100uF 16V M	1	
	C910	QEKJ1EM-106Z	E CAPACITOR	10uF 25V M	1	
	C911	NCB31HK-103X	C CAPACITOR	0.01uF 50V K	1	
	C912	NCB31HK-104X	C CAPACITOR	0.1uF 50V K	1	
	C913	NCB31CK-104X	C CAPACITOR	0.1uF 16V	1	
	C914	QEKJ1HM-225Z	E CAPACITOR	2.2uF 50V M	1	
	C915	NCB31EK-474X	C CAPACITOR	0.47uF 25V K	1	
	C920	QEKJ1CM-107Z	E CAPACITOR	100uF 16V M	1	
	C921	NCB31CK-105X	C CAPACITOR	1uF 16V K	1	
	C922	NCB21AK-106X	C CAPACITOR	10uF 10V K	1	
	C923	QEKJ1CM-107Z	E CAPACITOR	100uF 16V M	1	
	C924	NCB31CK-105X	C CAPACITOR	1uF 16V K	1	
	C925	NCJ11EK-106X-R	C CAPACITOR	10uF 25V	1	
	C930	NCB31HK-103X	C CAPACITOR	0.01uF 50V K	1	
	C931	NCB31CK-104X	C CAPACITOR	0.1uF 16V	1	
	C932	QERF0JM-337Z	E CAPACITOR	330uF 6.3V M	1	
	C933	NCB31CK-104X	C CAPACITOR	0.1uF 16V	1	
	C935	NCB31HK-103X	C CAPACITOR	0.01uF 50V K	1	
	C941	NCB31HK-104X	C CAPACITOR	0.1uF 50V K	1	
	C942	NCB31HK-104X	C CAPACITOR	0.1uF 50V K	1	
	C954	NDC31HJ-120X	C CAPACITOR	12pF 50V J	1	
	C958	NCB31HK-104X	C CAPACITOR	0.1uF 50V K	1	
	C961	NDC31HJ-101X	C CAPACITOR	100pF 50V J	1	
	C962	QEKJ1AM-227Z	E CAPACITOR	220uF 10V M	1	
	C963	QEKJ1CM-107Z	E CAPACITOR	100uF 16V M	1	
	C964	NCB31HK-104X	C CAPACITOR	0.1uF 50V K	1	
	C965	NCB31HK-103X	C CAPACITOR	0.01uF 50V K	1	
	C981	NCJ11EK-106X-R	C CAPACITOR	10uF 25V	1	
	C983	NDC31HJ-151X	C CAPACITOR	150pF 50V J	1	
	C984	NCB31CK-104X	C CAPACITOR	0.1uF 16V	1	
	C985	NCJ11EK-106X-R	C CAPACITOR	10uF 25V	1	
	C986	NCJ11EK-106X-R	C CAPACITOR	10uF 25V	1	
	C987	NCJ11EK-106X-R	C CAPACITOR	10uF 25V	1	
	C988	NCB31CK-105X	C CAPACITOR	1uF 16V K	1	
	C989	NCB31HK-104X	C CAPACITOR	0.1uF 50V K	1	
	C990	NCJ11EK-106X-R	C CAPACITOR	10uF 25V	1	
	C991	NCB31CK-104X	C CAPACITOR	0.1uF 16V	1	
	R1	NRSA63J-221X	MG RESISTOR	220Ω 1/16W J	1	
	R3	NRSA63J-152X	MG RESISTOR	1.5kΩ 1/16W J	1	
	R4	NRSA63J-0R0X	MG RESISTOR	0Ω 1/10W J	1	
	R7	NDC31HJ-221X	C CAPACITOR	220pF 50V J	1	

MODEL	MARK
KW-HDR720J	

Safe	Symbol No.	Parts No.	Parts Name	Description	QTY	Local
R9		NRSA63J-470X	MG RESISTOR	47Ω 1/16W J	1	
R10		NRSA63J-470X	MG RESISTOR	47Ω 1/16W J	1	
R11		NRSA63J-470X	MG RESISTOR	47Ω 1/16W J	1	
R12		NRSA63J-470X	MG RESISTOR	47Ω 1/16W J	1	
R13		NRSA63J-470X	MG RESISTOR	47Ω 1/16W J	1	
R14		NRSA63J-511X	MG RESISTOR	510Ω 1/16W J	1	
R16		NRSA63J-511X	MG RESISTOR	510Ω 1/16W J	1	
R17		NRSA63J-511X	MG RESISTOR	510Ω 1/16W J	1	
R18		NRSA63J-330X	MG RESISTOR	33Ω 1/16W J	1	
R19		NRSA63J-471X	MG RESISTOR	470Ω 1/16W J	1	
R20		NRSA63J-0R0X	MG RESISTOR	0Ω 1/10W J	1	
R22		NRSA63J-681X	MG RESISTOR	680Ω 1/16W J	1	
R25		NRSA63J-0R0X	MG RESISTOR	0Ω 1/10W J	1	
R26		NRSA63J-101X	MG RESISTOR	100Ω 1/16W J	1	
R27		NRSA63J-101X	MG RESISTOR	100Ω 1/16W J	1	
R30		NRS181J-220X	MG RESISTOR	22Ω 1/8W J	1	
R31		NRS181J-220X	MG RESISTOR	22Ω 1/8W J	1	
R32		NRSA63J-471X	MG RESISTOR	470Ω 1/16W J	1	
R33		NRSA63J-106X	MG RESISTOR	10MΩ 1/16W J	1	
R42		NRSA63J-0R0X	MG RESISTOR	0Ω 1/10W J	1	
R44		NRSA63J-0R0X	MG RESISTOR	0Ω 1/10W J	1	
R45		NRSA63J-102X	MG RESISTOR	1kΩ 1/16W J	1	
R46		NRSA63J-102X	MG RESISTOR	1kΩ 1/16W J	1	
R63		NRSA63J-105X	MG RESISTOR	1MΩ 1/16W J	1	
R68		NRSA63J-474X	MG RESISTOR	470kΩ 1/16W J	1	
R69		NRSA63J-474X	MG RESISTOR	470kΩ 1/16W J	1	
R70		NDC31HJ-2R0X	C CAPACITOR	2pF 50V J	1	
R80		NRSA63J-101X	MG RESISTOR	100Ω 1/16W J	1	
R81		NRSA6AJ-101W	MG RESISTOR	100Ω 1/16W J	1	
R100		NRSA6AJ-123W	MG RESISTOR	12kΩ 1/16W J	1	
R101		NRSA6AJ-473W	MG RESISTOR	47kΩ 1/16W J	1	
R102		NRSA6AJ-0R0W	MG RESISTOR	0Ω 1/16W J	1	
R110		NRSA6AJ-123W	MG RESISTOR	12kΩ 1/16W J	1	
R111		NRSA6AJ-473W	MG RESISTOR	47kΩ 1/16W J	1	
R112		NRSA63J-471X	MG RESISTOR	470Ω 1/16W J	1	
R120		NRSA63J-123X	MG RESISTOR	12kΩ 1/16W J	1	
R121		NRSA63J-473X	MG RESISTOR	47kΩ 1/16W J	1	
R130		NRSA63J-123X	MG RESISTOR	12kΩ 1/16W J	1	
R131		NRSA63J-473X	MG RESISTOR	47kΩ 1/16W J	1	
R132		NRSA63J-471X	MG RESISTOR	470Ω 1/16W J	1	
R161		NRSA63J-103X	MG RESISTOR	10kΩ 1/16W J	1	
R163		NRSA63J-101X	MG RESISTOR	100Ω 1/16W J	1	
R165		NRSA63J-101X	MG RESISTOR	100Ω 1/16W J	1	
R167		NRSA63J-222X	MG RESISTOR	2.2kΩ 1/16W J	1	
R251		NRSA63J-472X	MG RESISTOR	4.7kΩ 1/16W J	1	
R252		NRSA63J-472X	MG RESISTOR	4.7kΩ 1/16W J	1	
R253		NRSA63J-331X	MG RESISTOR	330Ω 1/16W J	1	
R254		NRSA63J-331X	MG RESISTOR	330Ω 1/16W J	1	
R255		NRSA63J-223X	MG RESISTOR	22kΩ 1/16W J	1	
R256		NRSA63J-223X	MG RESISTOR	22kΩ 1/16W J	1	
R257		NRSA63J-181X	MG RESISTOR	180Ω 1/16W J	1	
R258		NRSA63J-181X	MG RESISTOR	180Ω 1/16W J	1	
R302		NRSA63J-473X	MG RESISTOR	47kΩ 1/16W J	1	
R303		NRSA63J-0R0X	MG RESISTOR	0Ω 1/10W J	1	
R306		NRSA63J-0R0X	MG RESISTOR	0Ω 1/10W J	1	
R310		NRS181J-100X	MG RESISTOR	10Ω 1/8W J	1	
R311		NRSA63J-102X	MG RESISTOR	1kΩ 1/16W J	1	
R312		NRSA63J-102X	MG RESISTOR	1kΩ 1/16W J	1	
R313		NRSA63J-102X	MG RESISTOR	1kΩ 1/16W J	1	
R314		NRSA63J-102X	MG RESISTOR	1kΩ 1/16W J	1	
R320		NRSA63J-331X	MG RESISTOR	330Ω 1/16W J	1	
R321		NRSA63J-223X	MG RESISTOR	22kΩ 1/16W J	1	
R322		NRSA63J-181X	MG RESISTOR	180Ω 1/16W J	1	
R330		NRSA63J-331X	MG RESISTOR	330Ω 1/16W J	1	
R331		NRSA63J-223X	MG RESISTOR	22kΩ 1/16W J	1	
R332		NRSA63J-181X	MG RESISTOR	180Ω 1/16W J	1	
R340		NRSA63J-331X	MG RESISTOR	330Ω 1/16W J	1	
R341		NRSA63J-223X	MG RESISTOR	22kΩ 1/16W J	1	
R342		NRSA63J-181X	MG RESISTOR	180Ω 1/16W J	1	
R347		NRSA63J-472X	MG RESISTOR	4.7kΩ 1/16W J	1	
R349		NRSA63J-472X	MG RESISTOR	4.7kΩ 1/16W J	1	
R350		NRSA63J-331X	MG RESISTOR	330Ω 1/16W J	1	
R351		NRSA63J-223X	MG RESISTOR	22kΩ 1/16W J	1	
R352		NRSA63J-181X	MG RESISTOR	180Ω 1/16W J	1	
R357		NRSA63J-472X	MG RESISTOR	4.7kΩ 1/16W J	1	
R358		NRSA63J-472X	MG RESISTOR	4.7kΩ 1/16W J	1	
R402		NRSA63J-0R0X	MG RESISTOR	0Ω 1/10W J	1	
R403		NRSA63J-0R0X	MG RESISTOR	0Ω 1/10W J	1	
R404		NRSA63J-0R0X	MG RESISTOR	0Ω 1/10W J	1	
R411		NRSA63J-0R0X	MG RESISTOR	0Ω 1/10W J	1	
R412		NRSA63J-0R0X	MG RESISTOR	0Ω 1/10W J	1	
R413		NRSA63J-0R0X	MG RESISTOR	0Ω 1/10W J	1	
R501		NRSA6AJ-333W	MG RESISTOR	33kΩ 1/16W J	1	
R502		NRSA6AJ-101W	MG RESISTOR	100Ω 1/16W J	1	
R503		NRSA6AJ-101W	MG RESISTOR	100Ω 1/16W J	1	
R504		NRSA63J-513X	MG RESISTOR	51kΩ 1/16W J	1	
R505		NRSA63J-223X	MG RESISTOR	22kΩ 1/16W J	1	
R506		NRSA63J-682X	MG RESISTOR	6.8kΩ 1/16W J	1	
R507		NRSA63J-113X	MG RESISTOR	11kΩ 1/16W J	1	
R508		NRSA63J-0R0X	MG RESISTOR	0Ω 1/10W J	1	
R509		NRSA63J-0R0X	MG RESISTOR	0Ω 1/10W J	1	
R510		NRSA63J-822X	MG RESISTOR	8.2kΩ 1/16W J	1	
R511		NRSA63J-0R0X	MG RESISTOR	0Ω 1/10W J	1	

MODEL	MARK
KW-HDR720J	

Safe	Symbol No.	Parts No.	Parts Name	Description	QTY	Local
	R512	NRSA63J-0R0X	MG RESISTOR	0Ω 1/10W J	1	
	R513	NRSA63J-0R0X	MG RESISTOR	0Ω 1/10W J	1	
	R514	NRSA63J-822X	MG RESISTOR	8.2kΩ 1/16W J	1	
	R516	NRSA63J-822X	MG RESISTOR	8.2kΩ 1/16W J	1	
	R517	NRSA63J-822X	MG RESISTOR	8.2kΩ 1/16W J	1	
	R518	NRSA6AJ-101W	MG RESISTOR	100Ω 1/16W J	1	
	R519	NRSA6AJ-683W	MG RESISTOR	68kΩ 1/16W J	1	
	R520	NRSA6AJ-103W	MG RESISTOR	10kΩ 1/16W J	1	
	R530	NRSA6AJ-0R0W	MG RESISTOR	0Ω 1/16W J	1	
	R540	NRSA63J-221X	MG RESISTOR	220Ω 1/16W J	1	
	R541	NRSA63J-0R0X	MG RESISTOR	0Ω 1/10W J	1	
	R543	NRSA63J-0R0X	MG RESISTOR	0Ω 1/10W J	1	
	R545	NRSA63J-225X	MG RESISTOR	2.2MΩ 1/16W J	1	
	R547	NRSA63J-4R7X	MG RESISTOR	4.7Ω 1/16W J	1	
	R548	NRSA63J-104X	MG RESISTOR	100kΩ 1/16W J	1	
	R549	NRSA63J-102X	MG RESISTOR	1kΩ 1/16W J	1	
	R550	NRSA63J-472X	MG RESISTOR	4.7kΩ 1/16W J	1	
	R551	NRSA63J-0R0X	MG RESISTOR	0Ω 1/10W J	1	
	R552	NRSA63J-0R0X	MG RESISTOR	0Ω 1/10W J	1	
	R553	NRSA63J-473X	MG RESISTOR	47kΩ 1/16W J	1	
	R554	NRSA63J-4R7X	MG RESISTOR	4.7Ω 1/16W J	1	
	R555	NRSA63J-4R7X	MG RESISTOR	4.7Ω 1/16W J	1	
	R556	NRSA63J-0R0X	MG RESISTOR	0Ω 1/10W J	1	
	R557	NRSA63J-471X	MG RESISTOR	470Ω 1/16W J	1	
	R558	NRSA63J-105X	MG RESISTOR	1MΩ 1/16W J	1	
	R559	NRSA63J-101X	MG RESISTOR	100Ω 1/16W J	1	
	R560	NRSA63J-101X	MG RESISTOR	100Ω 1/16W J	1	
	R561	NRSA63J-101X	MG RESISTOR	100Ω 1/16W J	1	
	R562	NRSA63J-101X	MG RESISTOR	100Ω 1/16W J	1	
	R564	NRSA63J-101X	MG RESISTOR	100Ω 1/16W J	1	
	R565	NRSA63J-103X	MG RESISTOR	10kΩ 1/16W J	1	
	R566	NRSA63J-103X	MG RESISTOR	10kΩ 1/16W J	1	
	R567	NRSA63J-101X	MG RESISTOR	100Ω 1/16W J	1	
	R568	NRSA63J-101X	MG RESISTOR	100Ω 1/16W J	1	
	R569	NRSA63J-101X	MG RESISTOR	100Ω 1/16W J	1	
	R570	NRSA63J-101X	MG RESISTOR	100Ω 1/16W J	1	
	R571	NRSA63J-103X	MG RESISTOR	10kΩ 1/16W J	1	
	R572	NRSA63J-104X	MG RESISTOR	100kΩ 1/16W J	1	
	R573	NRSA63J-334X	MG RESISTOR	330kΩ 1/16W J	1	
	R574	NRSA63J-153X	MG RESISTOR	15kΩ 1/16W J	1	
	R575	NRS181J-332X	MG RESISTOR	3.3kΩ 1/8W J	1	
	R576	NRSA63J-103X	MG RESISTOR	10kΩ 1/16W J	1	
	R577	NRSA63J-103X	MG RESISTOR	10kΩ 1/16W J	1	
	R579	NRSA63J-103X	MG RESISTOR	10kΩ 1/16W J	1	
	R580	NRSA63J-0R0X	MG RESISTOR	0Ω 1/10W J	1	
	R581	NRSA63J-473X	MG RESISTOR	47kΩ 1/16W J	1	
	R582	NRSA63J-224X	MG RESISTOR	220kΩ 1/16W J	1	
	R583	NRSA63J-103X	MG RESISTOR	10kΩ 1/16W J	1	
	R584	NRSA63J-103X	MG RESISTOR	10kΩ 1/16W J	1	
	R585	NRSA63J-0R0X	MG RESISTOR	0Ω 1/10W J	1	
	R586	NRSA63J-0R0X	MG RESISTOR	0Ω 1/10W J	1	
	R587	NRSA63J-473X	MG RESISTOR	47kΩ 1/16W J	1	
	R588	NRSA63J-224X	MG RESISTOR	220kΩ 1/16W J	1	
	R589	NRSA63J-103X	MG RESISTOR	10kΩ 1/16W J	1	
	R590	NRSA63J-103X	MG RESISTOR	10kΩ 1/16W J	1	
	R591	NRSA63J-0R0X	MG RESISTOR	0Ω 1/10W J	1	
	R592	NRSA63J-203X	MG RESISTOR	20kΩ 1/16W J	1	
	R593	NRSA63J-203X	MG RESISTOR	20kΩ 1/16W J	1	
	R594	NRS181J-100X	MG RESISTOR	10Ω 1/8W J	1	
	R597	NRSA63J-103X	MG RESISTOR	10kΩ 1/16W J	1	
	R598	NRSA63J-473X	MG RESISTOR	47kΩ 1/16W J	1	
	R599	NRSA63J-473X	MG RESISTOR	47kΩ 1/16W J	1	
	R701	NRSA63J-472X	MG RESISTOR	4.7kΩ 1/16W J	1	
	R702	NRSA63J-101X	MG RESISTOR	100Ω 1/16W J	1	
	R703	NRSA63J-101X	MG RESISTOR	100Ω 1/16W J	1	
	R706	NRSA63J-101X	MG RESISTOR	100Ω 1/16W J	1	
	R707	NRSA63J-101X	MG RESISTOR	100Ω 1/16W J	1	
	R708	NRSA63J-101X	MG RESISTOR	100Ω 1/16W J	1	
	R709	NRSA63J-101X	MG RESISTOR	100Ω 1/16W J	1	
	R710	NRSA63J-101X	MG RESISTOR	100Ω 1/16W J	1	
	R711	NRSA63J-101X	MG RESISTOR	100Ω 1/16W J	1	
	R712	NRSA6AJ-101W	MG RESISTOR	100Ω 1/16W J	1	
	R713	NRSA63J-101X	MG RESISTOR	100Ω 1/16W J	1	
	R714	NRSA63J-101X	MG RESISTOR	100Ω 1/16W J	1	
	R715	NRSA63J-101X	MG RESISTOR	100Ω 1/16W J	1	
	R716	NRSA63J-101X	MG RESISTOR	100Ω 1/16W J	1	
	R717	NRSA63J-101X	MG RESISTOR	100Ω 1/16W J	1	
	R718	NRSA63J-473X	MG RESISTOR	47kΩ 1/16W J	1	
	R719	NRSA6AJ-473W	MG RESISTOR	47kΩ 1/16W J	1	
	R720	NRSA63J-473X	MG RESISTOR	47kΩ 1/16W J	1	
	R721	NRSA63J-105X	MG RESISTOR	1MΩ 1/16W J	1	
	R722	NRSA6AJ-473W	MG RESISTOR	47kΩ 1/16W J	1	
	R723	NRSA63J-473X	MG RESISTOR	47kΩ 1/16W J	1	
	R724	NRSA63J-472X	MG RESISTOR	4.7kΩ 1/16W J	1	
	R725	NRSA6AJ-473W	MG RESISTOR	47kΩ 1/16W J	1	
	R726	NRSA6AJ-473W	MG RESISTOR	47kΩ 1/16W J	1	
	R727	NRSA63J-473X	MG RESISTOR	47kΩ 1/16W J	1	
	R728	NRSA63J-473X	MG RESISTOR	47kΩ 1/16W J	1	
	R730	NRSA63J-473X	MG RESISTOR	47kΩ 1/16W J	1	
	R731	NRSA6AJ-473W	MG RESISTOR	47kΩ 1/16W J	1	
	R732	NRSA63J-472X	MG RESISTOR	4.7kΩ 1/16W J	1	
	R733	NRSA6AJ-473W	MG RESISTOR	47kΩ 1/16W J	1	

MODEL	MARK
KW-HDR720J	

Safe	Symbol No.	Parts No.	Parts Name	Description	QTY	Local
R735		NRSA6AJ-473W	MG RESISTOR	47kΩ 1/16W J	1	
R736		NRSA6AJ-473W	MG RESISTOR	47kΩ 1/16W J	1	
R737		NRSA63J-101X	MG RESISTOR	100Ω 1/16W J	1	
R738		NRSA6AJ-222W	MG RESISTOR	2.2kΩ 1/16W J	1	
R739		NRSA6AJ-103W	MG RESISTOR	10kΩ 1/16W J	1	
R740		NRSA6AJ-103W	MG RESISTOR	10kΩ 1/16W J	1	
R741		NRSA63J-103X	MG RESISTOR	10kΩ 1/16W J	1	
R742		NRSA63J-473X	MG RESISTOR	47kΩ 1/16W J	1	
R743		NRSA63J-473X	MG RESISTOR	47kΩ 1/16W J	1	
R746		NRSA63J-473X	MG RESISTOR	47kΩ 1/16W J	1	
R747		NRSA63J-243X	MG RESISTOR	24kΩ 1/16W J	1	
R748		NRSA6AJ-473W	MG RESISTOR	47kΩ 1/16W J	1	
R749		NRSA6AJ-332W	MG RESISTOR	3.3kΩ 1/16W J	1	
R750		NRSA63J-332X	MG RESISTOR	3.3kΩ 1/16W J	1	
R751		NRSA6AJ-223W	MG RESISTOR	22kΩ 1/16W J	1	
R752		NRSA63J-223X	MG RESISTOR	22kΩ 1/16W J	1	
R753		NRSA63J-332X	MG RESISTOR	3.3kΩ 1/16W J	1	
R754		NRSA63J-332X	MG RESISTOR	3.3kΩ 1/16W J	1	
R755		NRSA6AJ-473W	MG RESISTOR	47kΩ 1/16W J	1	
R756		NRSA6AJ-473W	MG RESISTOR	47kΩ 1/16W J	1	
R757		NRSA63J-332X	MG RESISTOR	3.3kΩ 1/16W J	1	
R758		NRSA63J-332X	MG RESISTOR	3.3kΩ 1/16W J	1	
R759		NRSA63J-473X	MG RESISTOR	47kΩ 1/16W J	1	
R760		NRSA63J-821X	MG RESISTOR	820Ω 1/16W J	1	
R761		NRSA63J-472X	MG RESISTOR	4.7kΩ 1/16W J	1	
R762		NRSA63J-472X	MG RESISTOR	4.7kΩ 1/16W J	1	
R763		NRSA6AJ-472W	MG RESISTOR	4.7kΩ 1/16W J	1	
R765		NRSA63J-822X	MG RESISTOR	8.2kΩ 1/16W J	1	
R766		NRSA6AJ-473W	MG RESISTOR	47kΩ 1/16W J	1	
R767		NRSA6AJ-393W	MG RESISTOR	39kΩ 1/16W J	1	
R768		NRSA63J-472X	MG RESISTOR	4.7kΩ 1/16W J	1	
R770		NRSA63J-472X	MG RESISTOR	4.7kΩ 1/16W J	1	
R773		NRSA63D-472X	MG RESISTOR	4.7kΩ 1/16W D	1	
R775		NRSA63J-153X	MG RESISTOR	15kΩ 1/16W J	1	
R776		NRSA63J-153X	MG RESISTOR	15kΩ 1/16W J	1	
R777		NRSA63J-102X	MG RESISTOR	1kΩ 1/16W J	1	
R778		NRSA63J-271X	MG RESISTOR	270Ω 1/16W J	1	
R779		NRSA6AJ-271W	MG RESISTOR	270Ω 1/16W J	1	
R780		NRSA63J-473X	MG RESISTOR	47kΩ 1/16W J	1	
R781		NRSA63J-331X	MG RESISTOR	330Ω 1/16W J	1	
R782		NRSA63J-103X	MG RESISTOR	10kΩ 1/16W J	1	
R783		NRSA63J-104X	MG RESISTOR	100kΩ 1/16W J	1	
R784		NRSA63J-472X	MG RESISTOR	4.7kΩ 1/16W J	1	
R785		NRSA63J-273X	MG RESISTOR	27kΩ 1/16W J	1	
R787		NRSA63J-472X	MG RESISTOR	4.7kΩ 1/16W J	1	
R789		NRSA63J-472X	MG RESISTOR	4.7kΩ 1/16W J	1	
R790		NRSA63J-473X	MG RESISTOR	47kΩ 1/16W J	1	
R791		NRSA63J-472X	MG RESISTOR	4.7kΩ 1/16W J	1	
R792		NRSA63J-0R0X	MG RESISTOR	0Ω 1/10W J	1	
R793		NRSA63J-0R0X	MG RESISTOR	0Ω 1/10W J	1	
R794		NRSA63J-0R0X	MG RESISTOR	0Ω 1/10W J	1	
R795		NRSA63J-0R0X	MG RESISTOR	0Ω 1/10W J	1	
R796		NRSA6AJ-0R0W	MG RESISTOR	0Ω 1/16W J	1	
R798		NRSA63J-270X	MG RESISTOR	27Ω 1/16W J	1	
R799		NRSA63J-270X	MG RESISTOR	27Ω 1/16W J	1	
R881		NRSA63J-273X	MG RESISTOR	27kΩ 1/16W J	1	
R882		NRSA63J-472X	MG RESISTOR	4.7kΩ 1/16W J	1	
R891		NRSA6AJ-103W	MG RESISTOR	10kΩ 1/16W J	1	
R892		NRSA63J-683X	MG RESISTOR	68kΩ 1/16W J	1	
R893		NRSA63J-123X	MG RESISTOR	12kΩ 1/16W J	1	
R894		NRSA6AJ-0R0W	MG RESISTOR	0Ω 1/16W J	1	
R901		NRSA63J-103X	MG RESISTOR	10kΩ 1/16W J	1	
R906		NRSA02J-562X	MG RESISTOR	5.6kΩ 1/10W J	1	
R907		NRSA63J-274X	MG RESISTOR	270kΩ 1/16W J	1	
R908		NRSA63D-472X	MG RESISTOR	4.7kΩ 1/16W D	1	
R909		NRSA63D-273X	MG RESISTOR	27kΩ 1/16W D	1	
R912		NRSA63J-0R0X	MG RESISTOR	0Ω 1/10W J	1	
R931		NRS124J-6R8X	MG RESISTOR	6.8Ω 1/2W J	1	
R932		NRS124J-6R8X	MG RESISTOR	6.8Ω 1/2W J	1	
R933		NRS124J-6R8X	MG RESISTOR	6.8Ω 1/2W J	1	
R934		NRS181J-0R0X	MG RESISTOR	0Ω 1/8W J	1	
R937		NRS124J-6R8X	MG RESISTOR	6.8Ω 1/2W J	1	
R939		NRS124J-6R8X	MG RESISTOR	6.8Ω 1/2W J	1	
R941		NRS181J-472X	MG RESISTOR	4.7kΩ 1/8W J	1	
R950		NRSA63J-101X	MG RESISTOR	100Ω 1/16W J	1	
R951		NRSA63J-102X	MG RESISTOR	1kΩ 1/16W J	1	
R952		NRSA63J-331X	MG RESISTOR	330Ω 1/16W J	1	
R954		NRSA63J-103X	MG RESISTOR	10kΩ 1/16W J	1	
R955		NRSA63J-103X	MG RESISTOR	10kΩ 1/16W J	1	
R958		NRSA63J-473X	MG RESISTOR	47kΩ 1/16W J	1	
R959		NRSA63J-473X	MG RESISTOR	47kΩ 1/16W J	1	
R961		NRSA63J-0R0X	MG RESISTOR	0Ω 1/10W J	1	
R962		NRS124J-101X	MG RESISTOR	100Ω 1/2W J	1	
R970		NRSA63J-473X	MG RESISTOR	47kΩ 1/16W J	1	
R971		NRSA02J-103X	MG RESISTOR	10kΩ 1/10W J	1	
R972		NRSA02J-103X	MG RESISTOR	10kΩ 1/10W J	1	
R973		NRSA02J-203X	MG RESISTOR	20kΩ 1/10W J	1	
R974		NRSA63J-473X	MG RESISTOR	47kΩ 1/16W J	1	
R975		NRSA02J-473X	MG RESISTOR	47kΩ 1/10W J	1	
R976		NRSA02J-683X	MG RESISTOR	68kΩ 1/10W J	1	
R981		NRSA63D-184X	MG RESISTOR	180kΩ 1/16W D	1	
R982		NRSA63D-333X	MG RESISTOR	33kΩ 1/16W D	1	

MODEL	MARK
KW-HDR720J	

Safe	Symbol No.	Parts No.	Parts Name	Description	QTY	Local
	R983	NRSA63J-154X	MG RESISTOR	150kΩ 1/16W J	1	
	R986	NRSA63D-753X	MG RESISTOR	75kΩ 1/16W D	1	
	R989	NRSA63D-134X	MG RESISTOR	130kΩ 1/16W D	1	
	R998	NRS181J-150X	MG RESISTOR	15Ω 1/8W J	1	
	L1	NQLK15J-R15X	COIL	0.15uH J	1	
	L2	NQLK15J-R33X	COIL	0.33uH J	1	
	L5	NQL382M-470X	COIL	47uH M	1	
	L6	NQL114K-100X	P COIL	10uH K	1	
	L7	NQL093K-R47X	P COIL	0.47uH K	1	
	L8	NQL093K-1R8X	P COIL	1.8uH K	1	
	L9	NQL79GM-1R0X	COIL	1uH M	1	
	L10	NQL093K-R22X	P COIL	0.22uH K	1	
	L11	NQR0684-001X	FERRITE BEADS		1	
	L12	NQL103J-10NX	COIL	10nH J	1	
	L13	NQL103J-10NX	COIL	10nH J	1	
	L161	NQL553J-27NX	COIL	27nH J	1	
	L531	NRSA63J-0R0X	MG RESISTOR	0Ω 1/10W J	1	
	L532	NQR0502-001X	FERRITE BEADS		1	
	L533	NQR0502-001X	FERRITE BEADS		1	
	L563	NQR0502-001X	FERRITE BEADS		1	
	L701	QQL244K-4R7Z	COIL	4.7uH K	1	
	L703	NQR0502-001X	FERRITE BEADS		1	
	L901	QQR1852-001	CHOKO COIL		1	
	L902	NQL79GM-101X	COIL	100uH M	1	
	L961	NQR0499-001X	FERRITE BEADS		1	
	L981	QQLA1AM-220	COIL	22uH M	1	
	L982	NQLH25M-4R7X	COIL	4.7uH M	1	
	L993	NQR0502-001X	FERRITE BEADS		1	
	B2	NRSA63J-0R0X	MG RESISTOR	0Ω 1/10W J	1	
	B3	NRSA63J-0R0X	MG RESISTOR	0Ω 1/10W J	1	
	B4	NRSA63J-0R0X	MG RESISTOR	0Ω 1/10W J	1	
	B7	NRSA63J-0R0X	MG RESISTOR	0Ω 1/10W J	1	
	B8	NRSA63J-0R0X	MG RESISTOR	0Ω 1/10W J	1	
	B9	NRSA63J-0R0X	MG RESISTOR	0Ω 1/10W J	1	
	B17	NRS181J-0R0X	MG RESISTOR	0Ω 1/8W J	1	
	B18	NRS181J-0R0X	MG RESISTOR	0Ω 1/8W J	1	
	B19	NRS181J-0R0X	MG RESISTOR	0Ω 1/8W J	1	
	B20	NRS181J-0R0X	MG RESISTOR	0Ω 1/8W J	1	
	B22	NRS181J-0R0X	MG RESISTOR	0Ω 1/8W J	1	
	B25	NRS181J-0R0X	MG RESISTOR	0Ω 1/8W J	1	
	B26	NRSA63J-0R0X	MG RESISTOR	0Ω 1/10W J	1	
	B27	NRSA63J-0R0X	MG RESISTOR	0Ω 1/10W J	1	
	B59	NRSA63J-0R0X	MG RESISTOR	0Ω 1/10W J	1	
	B73	NDC31HJ-471X	C CAPACITOR	470pF 50V J	1	
	B767	NRSA63J-0R0X	MG RESISTOR	0Ω 1/10W J	1	
	B768	NRSA63J-0R0X	MG RESISTOR	0Ω 1/10W J	1	
	CN502	QGF1049F1-26X	CONNECTOR	FFC/FPC (1-26)	1	
	CN701	QGB1004K1-22	CONNECTOR	B-B (1-22)	1	
	CN901	QNZ0607-001	CAR CONNECTOR		1	
△	F902	NMFZ018-2R0X-E	FUSE	2A	1	
△	F903	NMFZ018-2R0X-E	FUSE	2A	1	
	J1	QNB0190-001	ANT TERMINAL		1	
	J120	QNS0307-001	3.5 JACK		1	
	J321	QNN0837-001	PIN JACK		1	
	K1	NRSA63J-0R0X	MG RESISTOR	0Ω 1/10W J	1	
	K2	NRSA63J-0R0X	MG RESISTOR	0Ω 1/10W J	1	
	K3	NRSA63J-0R0X	MG RESISTOR	0Ω 1/10W J	1	
	K4	NRSA63J-0R0X	MG RESISTOR	0Ω 1/10W J	1	
	K5	NRSA63J-0R0X	MG RESISTOR	0Ω 1/10W J	1	
	K6	NRSA63J-0R0X	MG RESISTOR	0Ω 1/10W J	1	
	K7	NRSA63J-0R0X	MG RESISTOR	0Ω 1/10W J	1	
	K8	NRSA63J-0R0X	MG RESISTOR	0Ω 1/10W J	1	
	K10	NQL79GM-1R0X	COIL	1uH M	1	
	K11	NRSA63J-102X	MG RESISTOR	1kΩ 1/16W J	1	
	X1	NAX1117-001X	CRYSTAL		1	
	X540	QAX0929-001Z	C RESONATOR		1	
	X701	QAX0957-001Z	CRYSTAL		1	
	X702	QAX0401-001	CRYSTAL	32.768KHz	1	
	Switch board <02>					
	IC601	PCA9624PW-X	IC		1	
	IC661	PTC6526LQ-L	IC		1	
	IC681	KSM-2003TN5B	IR DETECT UNIT		1	
	Q627	2SC1623A/5-6/-X	TRANSISTOR		1	
	Q627	or 2SC3928A/QR/-X	TRANSISTOR		1	
	D621	NSSM065T-X	LED		1	
	D622	NSSM065T-X	LED		1	
	D624	NSSM065T-X	LED		1	
	D625	NSSM065T-X	LED		1	
	D626	NSSM065T-X	LED		1	
	D627	DZ2J056/M/-X	Z DIODE		1	
	D630	NSSM065T-X	LED		1	
	D631	NSSM065T-X	LED		1	
	D633	LHQ974/LM/-X	LED		1	
	D634	LHQ974/LM/-X	LED		1	
	D661	HSU119-X	SI DIODE		1	
	D691	DZ2J051/M/-X	Z DIODE		1	
	D692	DZ2J051/M/-X	Z DIODE		1	
	C624	NCB31CK-104X	C CAPACITOR	0.1uF 16V	1	
	C625	NCB31CK-105X	C CAPACITOR	1uF 16V K	1	
	C661	NCB31CK-105X	C CAPACITOR	1uF 16V K	1	
	C662	NDC31HJ-121X	C CAPACITOR	120pF 50V J	1	
	C663	NCB31HK-223X	C CAPACITOR	0.022uF 50V K	1	

MODEL	MARK
KW-HDR720J	

Safe	Symbol No.	Parts No.	Parts Name	Description	QTY	Local
	C665	NCB31CK-104X	C CAPACITOR	0.1uF 16V	1	
	C666	NCB31CK-104X	C CAPACITOR	0.1uF 16V	1	
	C682	NCB31EK-104X	C CAPACITOR	0.1uF 25V K	1	
	C687	NCB31HK-472X	C CAPACITOR	4700pF 50V K	1	
	C688	NCB31HK-472X	C CAPACITOR	4700pF 50V K	1	
	C689	NCB31CK-105X	C CAPACITOR	1uF 16V K	1	
	C692	NCJ11EK-106X-F	C CAPACITOR	10uF 25V	1	
	R601	NRSA63J-821X	MG RESISTOR	820Ω 1/16W J	1	
	R602	NRSA63J-821X	MG RESISTOR	820Ω 1/16W J	1	
	R603	NRSA63J-122X	MG RESISTOR	1.2kΩ 1/16W J	1	
	R604	NRSA63J-182X	MG RESISTOR	1.8kΩ 1/16W J	1	
	R605	NRSA63J-272X	MG RESISTOR	2.7kΩ 1/16W J	1	
	R606	NRSA63J-821X	MG RESISTOR	820Ω 1/16W J	1	
	R607	NRSA63J-821X	MG RESISTOR	820Ω 1/16W J	1	
	R608	NRSA63J-122X	MG RESISTOR	1.2kΩ 1/16W J	1	
	R609	NRSA63J-182X	MG RESISTOR	1.8kΩ 1/16W J	1	
	R610	NRSA63J-272X	MG RESISTOR	2.7kΩ 1/16W J	1	
	R611	NRSA63J-392X	MG RESISTOR	3.9kΩ 1/16W J	1	
	R612	NRSA63J-103X	MG RESISTOR	10kΩ 1/16W J	1	
	R613	NRSA63J-821X	MG RESISTOR	820Ω 1/16W J	1	
	R614	NRSA63J-821X	MG RESISTOR	820Ω 1/16W J	1	
	R615	NRSA63J-122X	MG RESISTOR	1.2kΩ 1/16W J	1	
	R616	NRSA63J-182X	MG RESISTOR	1.8kΩ 1/16W J	1	
	R617	NRSA63J-272X	MG RESISTOR	2.7kΩ 1/16W J	1	
	R627	NRSA63J-102X	MG RESISTOR	1kΩ 1/16W J	1	
	R628	NRSA63J-101X	MG RESISTOR	100Ω 1/16W J	1	
	R629	NRSA63J-101X	MG RESISTOR	100Ω 1/16W J	1	
	R630	NRS181J-331X	MG RESISTOR	330Ω 1/8W J	1	
	R631	NRSA02J-821X	MG RESISTOR	820Ω 1/10W J	1	
	R632	NRSA02J-431X	MG RESISTOR	430Ω 1/10W J	1	
	R633	NRSA02J-431X	MG RESISTOR	430Ω 1/10W J	1	
	R634	NRSA02J-751X	MG RESISTOR	750Ω 1/10W J	1	
	R635	NRSA02J-471X	MG RESISTOR	470Ω 1/10W J	1	
	R636	NRSA02J-471X	MG RESISTOR	470Ω 1/10W J	1	
	R637	NRSA02J-122X	MG RESISTOR	1.2kΩ 1/10W J	1	
	R638	NRSA02J-821X	MG RESISTOR	820Ω 1/10W J	1	
	R639	NRSA02J-821X	MG RESISTOR	820Ω 1/10W J	1	
	R640	NRSA02J-271X	MG RESISTOR	270Ω 1/10W J	1	
	R641	NRSA02J-271X	MG RESISTOR	270Ω 1/10W J	1	
	R642	NRSA02J-621X	MG RESISTOR	620Ω 1/10W J	1	
	R643	NRSA02J-751X	MG RESISTOR	750Ω 1/10W J	1	
	R644	NRSA02J-471X	MG RESISTOR	470Ω 1/10W J	1	
	R645	NRSA02J-471X	MG RESISTOR	470Ω 1/10W J	1	
	R647	NRS181J-471X	MG RESISTOR	470Ω 1/8W J	1	
	R660	NRSA63J-394X	MG RESISTOR	390kΩ 1/16W J	1	
	R661	NRSA63J-102X	MG RESISTOR	1kΩ 1/16W J	1	
	R662	NRSA63J-102X	MG RESISTOR	1kΩ 1/16W J	1	
	R663	NRSA63J-102X	MG RESISTOR	1kΩ 1/16W J	1	
	R664	NRSA63J-164X	MG RESISTOR	160kΩ 1/16W J	1	
	R665	NRSA63J-101X	MG RESISTOR	100Ω 1/16W J	1	
	R666	NRSA63J-101X	MG RESISTOR	100Ω 1/16W J	1	
	R667	NRSA63J-101X	MG RESISTOR	100Ω 1/16W J	1	
	R672	NRSA63J-101X	MG RESISTOR	100Ω 1/16W J	1	
	R673	NRSA63J-101X	MG RESISTOR	100Ω 1/16W J	1	
	R681	NRSA63J-0R0X	MG RESISTOR	0Ω 1/10W J	1	
	R682	NRSA63J-0R0X	MG RESISTOR	0Ω 1/10W J	1	
	R684	NRS181J-100X	MG RESISTOR	10Ω 1/8W J	1	
	L601	NQR0007-002X	FERRITE BEADS		1	
	L602	NQR0007-002X	FERRITE BEADS		1	
	L603	NQR0007-002X	FERRITE BEADS		1	
	L604	NQR0022-005X	FERRITE BEADS		1	
	L691	NQR0682-001X	CHOKE COIL		1	
	B601	NRSA63J-0R0X	MG RESISTOR	0Ω 1/10W J	1	
	B602	NRSA63J-0R0X	MG RESISTOR	0Ω 1/10W J	1	
	B603	NRSA63J-0R0X	MG RESISTOR	0Ω 1/10W J	1	
	B605	NRSA63J-0R0X	MG RESISTOR	0Ω 1/10W J	1	
	B607	NRSA63J-0R0X	MG RESISTOR	0Ω 1/10W J	1	
	B608	NRS181J-0R0X	MG RESISTOR	0Ω 1/8W J	1	
	B610	NRS181J-0R0X	MG RESISTOR	0Ω 1/8W J	1	
	B611	NRS181J-0R0X	MG RESISTOR	0Ω 1/8W J	1	
	B612	NRS181J-0R0X	MG RESISTOR	0Ω 1/8W J	1	
	CN601	QGB1004J2-22X	CONNECTOR	B-B (1-22)	1	
	CN603	QNZ0906-001	USB CONNECTOR		1	
	EN601	QSW1280-001	ROTARY ENCODER		1	
	PJ601	QNS0302-001	3.5 JACK		1	
	S601	NSW0326-001X	TACT SWITCH		1	
	S602	NSW0326-001X	TACT SWITCH		1	
	S603	NSW0326-001X	TACT SWITCH		1	
	S604	NSW0326-001X	TACT SWITCH		1	
	S605	NSW0326-001X	TACT SWITCH		1	
	S606	NSW0326-001X	TACT SWITCH		1	
	S607	NSW0326-001X	TACT SWITCH		1	
	S608	NSW0326-001X	TACT SWITCH		1	
	S609	NSW0326-001X	TACT SWITCH		1	
	S610	NSW0326-001X	TACT SWITCH		1	
	S611	NSW0326-001X	TACT SWITCH		1	
	S612	NSW0326-001X	TACT SWITCH		1	
	S613	NSW0326-001X	TACT SWITCH		1	
	S614	NSW0326-001X	TACT SWITCH		1	
	S615	NSW0326-001X	TACT SWITCH		1	
	S616	NSW0326-001X	TACT SWITCH		1	
	S617	NSW0326-001X	TACT SWITCH		1	
	S691	NSW0326-001X	TACT SWITCH		1	

MODEL	MARK
KW-HDR720J	

Safe	Symbol No.	Parts No.	Parts Name	Description	QTY	Local
------	------------	-----------	------------	-------------	-----	-------

HD board <03>

△	IC101	STA680Q	IC		1	
	IC151	JVM511C	PROGRAMED IC		1	
	IC191	M12L1281687TG2L	IC(DIGITAL)		1	
	C101	NCB31CK-105X	C CAPACITOR	1uF 16V K	1	
	C102	NCB31HK-471X	C CAPACITOR	470pF 50V K	1	
	C103	NCB31CK-104X	C CAPACITOR	0.1uF 16V	1	
	C104	NCB31CK-104X	C CAPACITOR	0.1uF 16V	1	
	C105	NCB31CK-104X	C CAPACITOR	0.1uF 16V	1	
	C106	NCB31CK-104X	C CAPACITOR	0.1uF 16V	1	
	C107	NCB31CK-104X	C CAPACITOR	0.1uF 16V	1	
	C108	NCB31CK-104X	C CAPACITOR	0.1uF 16V	1	
	C109	NCB31CK-104X	C CAPACITOR	0.1uF 16V	1	
	C110	NCB31CK-104X	C CAPACITOR	0.1uF 16V	1	
	C111	NCB31CK-104X	C CAPACITOR	0.1uF 16V	1	
	C112	NCB31CK-104X	C CAPACITOR	0.1uF 16V	1	
	C113	NCB31CK-104X	C CAPACITOR	0.1uF 16V	1	
	C114	NCB31CK-104X	C CAPACITOR	0.1uF 16V	1	
	C115	NCJ30JM-106X-A	C CAPACITOR	10uF 6.3V M	1	
	C116	NCJ30JM-106X-A	C CAPACITOR	10uF 6.3V M	1	
	C117	NCB20JK-106X	C CAPACITOR	10uF 6.3V K	1	
	C118	NCB20JK-106X	C CAPACITOR	10uF 6.3V K	1	
	C119	NCB31CK-104X	C CAPACITOR	0.1uF 16V	1	
	C120	NCB31CK-104X	C CAPACITOR	0.1uF 16V	1	
	C121	NCB31CK-104X	C CAPACITOR	0.1uF 16V	1	
	C122	NCB31CK-104X	C CAPACITOR	0.1uF 16V	1	
	C124	NCB31CK-104X	C CAPACITOR	0.1uF 16V	1	
	C125	NCB31CK-104X	C CAPACITOR	0.1uF 16V	1	
	C126	NCB31CK-104X	C CAPACITOR	0.1uF 16V	1	
	C127	NCB31CK-104X	C CAPACITOR	0.1uF 16V	1	
	C128	NCB31CK-104X	C CAPACITOR	0.1uF 16V	1	
	C129	NCB31CK-104X	C CAPACITOR	0.1uF 16V	1	
	C130	NCB31CK-104X	C CAPACITOR	0.1uF 16V	1	
	C131	NCB31CK-104X	C CAPACITOR	0.1uF 16V	1	
	C132	NCB31CK-104X	C CAPACITOR	0.1uF 16V	1	
	C133	NCB31CK-104X	C CAPACITOR	0.1uF 16V	1	
	C134	NCB31CK-104X	C CAPACITOR	0.1uF 16V	1	
	C135	NCB31CK-104X	C CAPACITOR	0.1uF 16V	1	
	C136	NDC31HJ-3R0X	C CAPACITOR	3pF 50V J	1	
	C137	NDC31HJ-4R0X	C CAPACITOR	4pF 50V J	1	
	C138	NCB20JK-106X	C CAPACITOR	10uF 6.3V K	1	
	C144	NDC31HJ-680X	C CAPACITOR	68pF 50V J	1	
	C145	NDC31HJ-680X	C CAPACITOR	68pF 50V J	1	
	C146	NDC31HJ-680X	C CAPACITOR	68pF 50V J	1	
	C147	NCB31CK-104X	C CAPACITOR	0.1uF 16V	1	
	C150	NCB31CK-104X	C CAPACITOR	0.1uF 16V	1	
	C151	NCB31CK-104X	C CAPACITOR	0.1uF 16V	1	
	C152	NCB31CK-104X	C CAPACITOR	0.1uF 16V	1	
	C153	NCB31CK-104X	C CAPACITOR	0.1uF 16V	1	
	C154	NCB31CK-104X	C CAPACITOR	0.1uF 16V	1	
	C155	NCB31CK-104X	C CAPACITOR	0.1uF 16V	1	
	C156	NCB31CK-104X	C CAPACITOR	0.1uF 16V	1	
	R104	NRSA63J-470X	MG RESISTOR	47Ω 1/16W J	1	
	R105	NRSA63J-470X	MG RESISTOR	47Ω 1/16W J	1	
	R106	NRSA63J-471X	MG RESISTOR	470Ω 1/16W J	1	
	R108	NRSA63J-470X	MG RESISTOR	47Ω 1/16W J	1	
	R109	NRSA63J-470X	MG RESISTOR	47Ω 1/16W J	1	
	R110	NRSA63J-103X	MG RESISTOR	10kΩ 1/16W J	1	
	R111	NRSA63J-103X	MG RESISTOR	10kΩ 1/16W J	1	
	R112	NRSA63J-103X	MG RESISTOR	10kΩ 1/16W J	1	
	R113	NRSA63J-750X	MG RESISTOR	75Ω 1/16W J	1	
	R114	NRSA63J-102X	MG RESISTOR	1kΩ 1/16W J	1	
	R115	NRSA63J-270X	MG RESISTOR	27Ω 1/16W J	1	
	R116	NRSA63J-470X	MG RESISTOR	47Ω 1/16W J	1	
	R117	NRSA63J-103X	MG RESISTOR	10kΩ 1/16W J	1	
	R118	NRSA63J-103X	MG RESISTOR	10kΩ 1/16W J	1	
	R122	NRSA63J-0R0X	MG RESISTOR	0Ω 1/10W J	1	
	RA101	NRB04CJ-470W	NET RESISTOR	47Ω J	1	
	RA102	NRB04CJ-470W	NET RESISTOR	47Ω J	1	
	RA103	NRB04CJ-470W	NET RESISTOR	47Ω J	1	
	RA104	NRB04CJ-470W	NET RESISTOR	47Ω J	1	
	RA105	NRB04CJ-470W	NET RESISTOR	47Ω J	1	
	RA106	NRB04CJ-470W	NET RESISTOR	47Ω J	1	
	RA107	NRB04CJ-470W	NET RESISTOR	47Ω J	1	
	RA108	NRB04CJ-470W	NET RESISTOR	47Ω J	1	
	RA109	NRB04CJ-470W	NET RESISTOR	47Ω J	1	
	RA111	NRB04CJ-470W	NET RESISTOR	47Ω J	1	
	RA112	NRB04CJ-470W	NET RESISTOR	47Ω J	1	
	RA113	NRB04CJ-470W	NET RESISTOR	47Ω J	1	
	L101	NQL093K-1R8X	P COIL	1.8uH K	1	
	L102	NQL093K-1R8X	P COIL	1.8uH K	1	
	CN101	QGG2001M1-18	CONNECTOR	(1-18)	1	
	CN102	QGG2001M1-03	CONNECTOR	(1-3)	1	
	X101	NAX1116-001X	CRYSTAL		1	

Mecha control board (FLM-HC1-1D) <04>

	R1	NRSA63J-131X	MG RESISTOR	130Ω 1/16W J	1	
	CN101	QGF1049F1-26X	CONNECTOR	FFC/FPC (1-26)	1	
	CN102	QGF0522F3-15W	CONNECTOR	FFC/FPC (1-15)	1	
	SW1	NSW0291-001X	DETECT SWITCH		1	
	SW2	NSW0291-001X	DETECT SWITCH		1	
	SW3	NSW0291-001X	DETECT SWITCH		1	

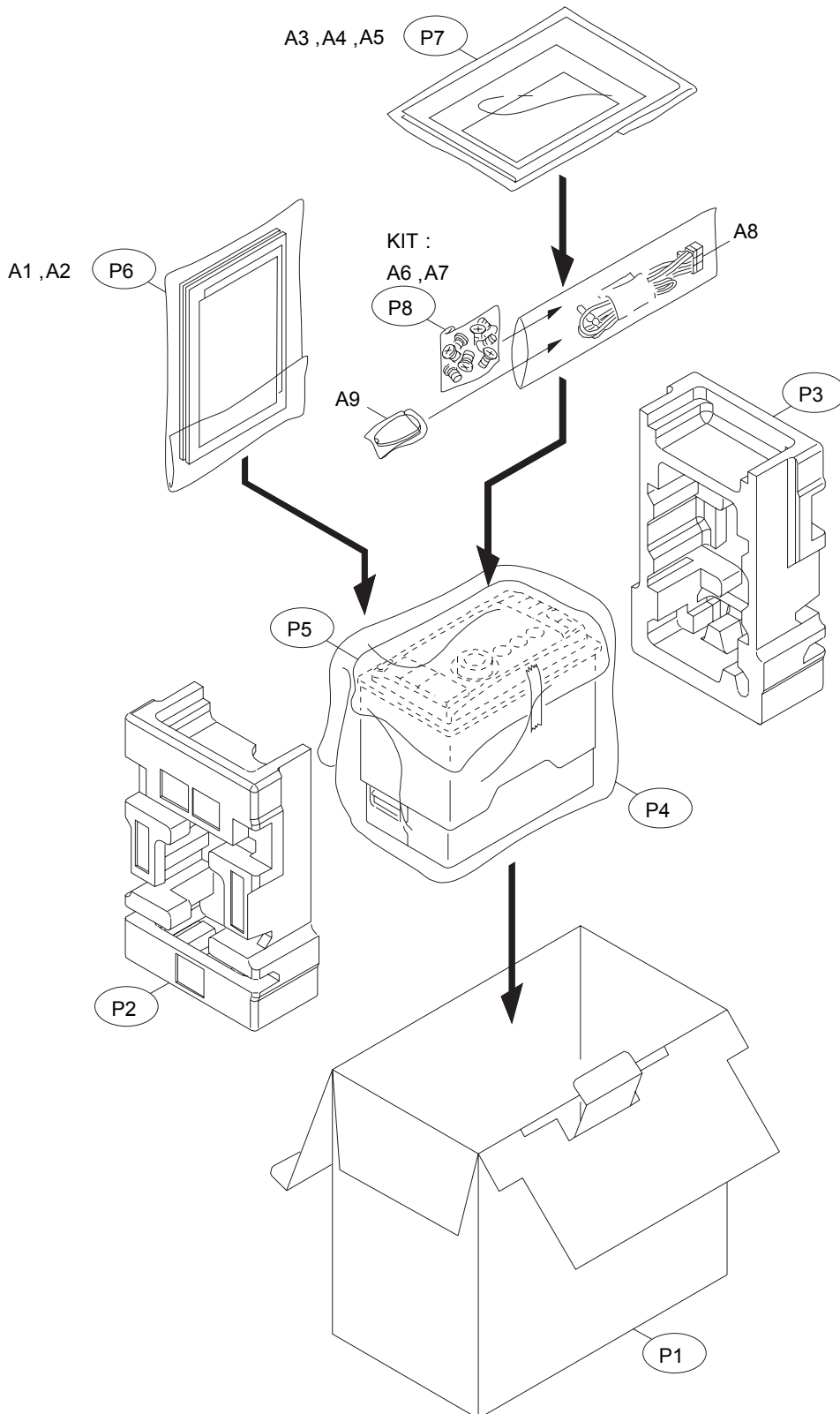
MODEL	MARK
KW-HDR720J	

Safe	Symbol No.	Parts No.	Parts Name	Description	QTY	Local
	SW4	NSW0291-001X	DETECT SWITCH		1	

# Packing materials and accessories

Block No.M3MM

No additional / supplemental order of WARRANTY CARDS are available.



The parts without symbol number are not service.

MODEL	MARK
KW-HDR720J	

Safe	Symbol No.	Parts No.	Parts Name	Description	QTY	Local
<b>Packing and accessories &lt;M3MM&gt;</b>						
A1		GET0722-001A	INST BOOK	ENG SPA FRE	1	
A2		GET0722-002A	INSTALL MANUAL	ENG SPA FRE	1	
A3		-----	WARRANTY CARD	BT-51018-6	1	
A4		-----	WARRANTY CARD	BT-52008-1	1	
A5		BT-51044-1	REGISTRATION CARD		1	
A6		QYSDSP5008ZA	SCREW	M5 x 8mm	8	
A7		QYSSSP5008ZA	SCREW	M5 x 8mm	4	
A8		QAM1329-001	CAR CABLE		1	
A9		RM-RK52M	REMOCON UNIT		1	
KIT		SRW-MA471	SCREW PARTS KIT	A6 A7	1	
P1		GE34448-001A	CARTON		1	
P2		GE10280-003A	CUSHION L		1	
P3		GE10281-001A	CUSHION R		1	
P4		QPC03504015PL	POLY BAG	35cm x 40cm	1	
P5		GE40467-003A	NON WOVEN SHEET		1	
P6		FSPG4002-001	POLY BAG		1	
P7		FSPG4002-001	POLY BAG		1	
P8		QPA00801205	POLY BAG	8cm x 12cm	1	