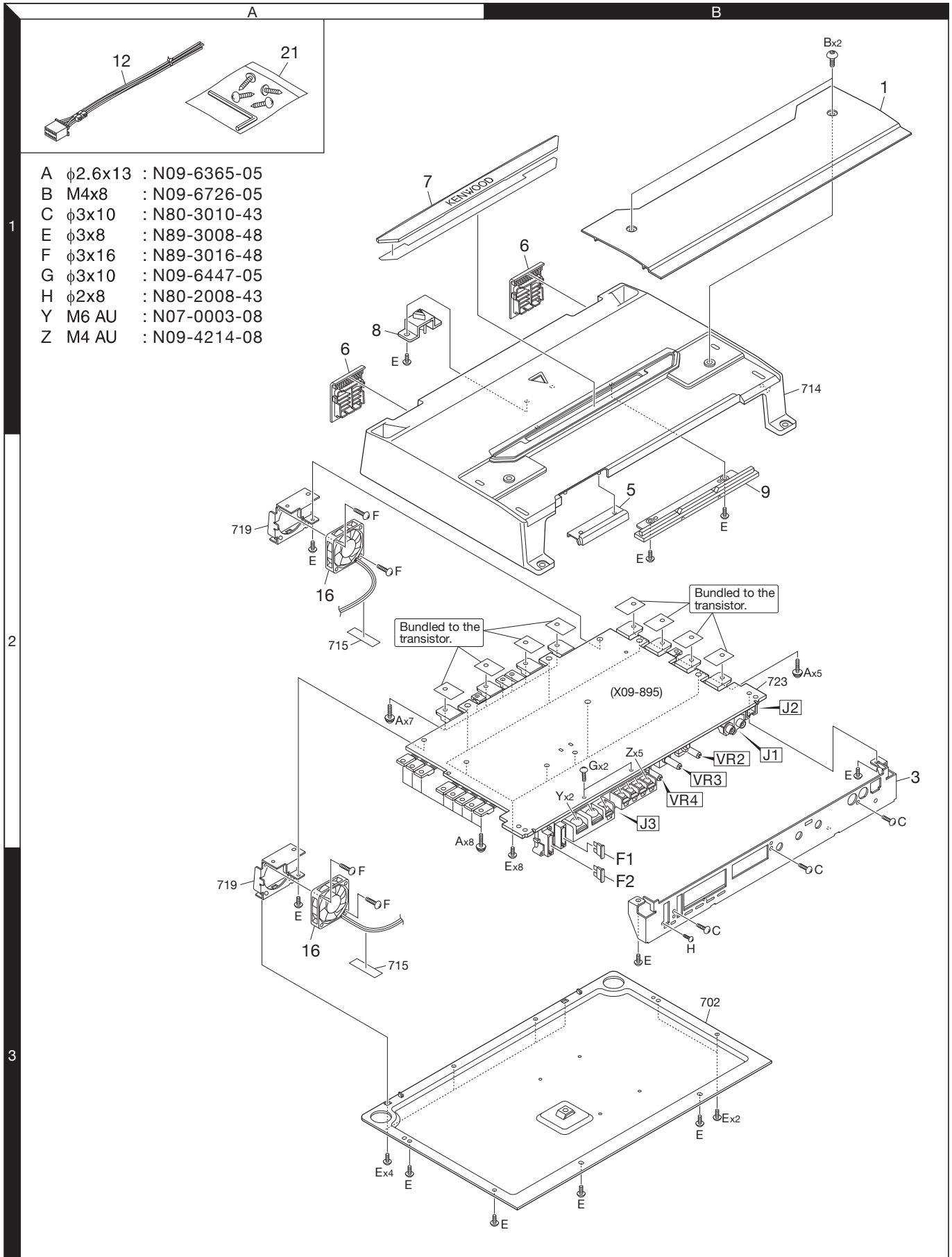


## EXPLODED VIEW



- A  $\phi 2.6 \times 13$  : N09-6365-05
- B M4x8 : N09-6726-05
- C  $\phi 3 \times 10$  : N80-3010-43
- E  $\phi 3 \times 8$  : N89-3008-48
- F  $\phi 3 \times 16$  : N89-3016-48
- G  $\phi 3 \times 10$  : N09-6447-05
- H  $\phi 2 \times 8$  : N80-2008-43
- Y M6 AU : N07-0003-08
- Z M4 AU : N09-4214-08

Parts with the exploded numbers larger than 700 are not supplied.

# KAC-7205/7205M

## PARTS LIST

\* New parts

Parts without **Parts No.** are not supplied.

Les articles non mentionnés dans le **Parts No.** ne sont pas fournis.

Teile ohne **Parts No.** werden nicht geliefert.

Ref. No.	Ad	New	Parts No.	Description	Destination
<b>KAC-7205/7205M</b>					
1	1B	*	A21-6748-01	DRESSING PANEL	K
1	1B	*	A21-6749-01	DRESSING PANEL	M1M2
3	3B	*	A64-5022-02	PANEL	
5	2B	*	B07-3337-03	ESCUTCHEON	
6	1A	*	B07-3336-02	ESCUTCHEON	
7	1A	*	B10-5344-02	FRONT GLASS	
8	1A	*	B19-2324-03	LIGHTING BOARD	
9	2B	*	B19-2556-13	LIGHTING BOARD	
-		*	B64-4579-00	INSTRUCTION MANUA(ENG.FRE.SPA)	K
-		*	B64-4580-00	INSTRUCTION MANUAL(ENG.S-CHI)	M1M2
12	1A		E30-6145-05	CONNECTING CORD ASSY	
16	2A		F09-2974-05	FAN	
F1, 2	3B		F52-0045-05	FUSE (BLADE TYPE) 30A	
-		*	H54-4818-03	ITEM CARTON CASE	K
-		*	H54-4819-03	ITEM CARTON CASE	M1
-		*	H54-4820-03	ITEM CARTON CASE	M2
21	1A		N99-1820-05	SCREW & WRENCH KEY SET	
A	2A		N09-6365-05	SEMS (2.6X13)	
B	1B		N09-6726-05	DRESSED SCREW (M4X8)	
C	3B		N80-3010-43	PAN HEAD TAPTITE SCREW	
E	3B		N89-3008-48	BINDING HEAD TAPTITE SCREW	
F	2A		N89-3016-48	BINDING HEAD TAPTITE SCREW	
H	3B		N80-2008-43	PAN HEAD TAPTITE SCREW	
Y	2B		N07-0003-08	TERMINAL SCREW (M6 AU)	
Z	2B		N09-4214-08	TERMINAL SCREW (M4 AU)	
<b>AUDIO UNIT (X09-8950-10)</b>					
D600			B30-1770-05	LED (BLUE)	
D609		*	B30-3220-05	LED (ORG-630NM,80MCD)	
D617			B30-1770-05	LED (BLUE)	
C1			C90-5557-05	ELECTRO 10UF 25WV	
C2 ,5		*	CD04BN1V470M	ELECTRO 47UF 35WV	
C6 ,7		*	C90-6932-05	ELECTRO 3300UF 63WV	
C8 ,9			C91-2293-05	METAL P-F C 1000PF	
C10 ,11			CD04BC1C392M	ELECTRO 3900UF 16WV	
C13			C90-5557-05	ELECTRO 10UF 25WV	
C14			CK73GB1H104K	CHIP C 0.10UF K	
C15		*	CD04BN1V470M	ELECTRO 47UF 35WV	
C16			CD04BN1H100M	ELECTRO 10UF 50WV	
C17			CC73GCH1H102J	CHIP C 1000PF J	
C18			CC73GCH1H222J	CHIP C 2200PF J	
C19 ,20			CQ93FMG1H473J	MYLAR 0.047UF J	
C24			CD04BN1H100M	ELECTRO 10UF 50WV	
C34			CK73GB1H103K	CHIP C 0.010UF K	
C36			CK73GB1H103K	CHIP C 0.010UF K	
C50 ,51			CD04BN1H100M	ELECTRO 10UF 50WV	
C52			CK73GB1H473K	CHIP C 0.047UF K	
C57 ,58			CD04BN1H100M	ELECTRO 10UF 50WV	
C101,102			CK73GB1H102K	CHIP C 1000PF K	
C103,104			CD04BN1H100M	ELECTRO 10UF 50WV	
C105,106			CC73GCH1H150J	CHIP C 15PF J	

Ref. No.	Ad	New	Parts No.	Description	Destination
C109-112			CD04BN1H100M	ELECTRO 10UF 50WV	
C113,114			CC73GCH1H150J	CHIP C 15PF J	
C115,116			CD04BN1H100M	ELECTRO 10UF 50WV	
C121			CK73GB1H104K	CHIP C 0.10UF K	
C123		*	CD04BN1H4R7M	ELECTRO 4.7UF 50WV	
C124			CK73GB1H103K	CHIP C 0.010UF K	
C125			CC73GCH1H101J	CHIP C 100PF J	
C127			CK73GB1H103K	CHIP C 0.010UF K	
C128			CC73GCH1H150J	CHIP C 15PF J	
C129			CK73GB1H103K	CHIP C 0.010UF K	
C130			CK73GB1H104K	CHIP C 0.10UF K	
C131-134			CC73GCH1H101J	CHIP C 100PF J	
C135			CK73FB1E154K	CHIP C 0.15UF K	
C136		*	CD04BN1H4R7M	ELECTRO 4.7UF 50WV	
C137			CK73GB1H333K	CHIP C 0.033UF K	
C138			CC73GCH1H101J	CHIP C 100PF J	
C139			CK73FB1E154K	CHIP C 0.15UF K	
C140			CC73GCH1H101J	CHIP C 100PF J	
C141			CK73GB1H333K	CHIP C 0.033UF K	
C143			CD04BN1H100M	ELECTRO 10UF 50WV	
C145-148			CK73GB1H103K	CHIP C 0.010UF K	
C149,150			CK73GB1H472K	CHIP C 4700PF K	
C201,202			CD04BN1H100M	ELECTRO 10UF 50WV	
C203,204			CC73GCH1H221J	CHIP C 220PF J	
C205,206			CK73GB1H103K	CHIP C 0.010UF K	
C207,208		*	CD04BN1V470M	ELECTRO 47UF 35WV	
C209,210			CC73GCH1H100D	CHIP C 10PF D	
C211,212			CC73GCH1H471J	CHIP C 470PF J	
C213,214			CC73GCH1H101J	CHIP C 100PF J	
C215,216			CD04BN1H100M	ELECTRO 10UF 50WV	
C217,218			CC73GCH1H101J	CHIP C 100PF J	
C219-222			CK73GB1H102K	CHIP C 1000PF K	
C223			CD04BJ1J101M	ELECTRO 100UF 63WV	
C225,226			CC73GCH1H471J	CHIP C 470PF J	
C227,228			CC73GCH1H470J	CHIP C 47PF J	
C230-233			CC73GCH1H101J	CHIP C 100PF J	
C263,264			CC73GCH1H221J	CHIP C 220PF J	
C265,266			CC73GCH1H030C	CHIP C 3.0PF C	
C600			CK73GB1H103K	CHIP C 0.010UF K	
C601		*	CD04BN1H330M	ELECTRO 33UF 50WV	
C602-605			CD04BN1H100M	ELECTRO 10UF 50WV	
C606		*	CD04BN1C101M	ELECTRO 100UF 16WV	
C607			CK73GB1H103K	CHIP C 0.010UF K	
C608		*	CD04BN1C101M	ELECTRO 100UF 16WV	
C609,610			CK73GB1H103K	CHIP C 0.010UF K	
C611,612			CD04BN1H100M	ELECTRO 10UF 50WV	
C613,614			CK73GB1H103K	CHIP C 0.010UF K	
C615			CD04BN1H100M	ELECTRO 10UF 50WV	
C616			CK73GB1H104K	CHIP C 0.10UF K	
C617			CK73GB1H103K	CHIP C 0.010UF K	
C620,621			CK73GB1H103K	CHIP C 0.010UF K	
C698			CK73GB1H103K	CHIP C 0.010UF K	
C699			CD04BN1H010M	ELECTRO 1UF 50WV	
C700			CK73EB1E105K	CHIP C 1.0UF K	

K: KAC-7205 (North America)

M1: KAC-7205 M2: KAC-7205M (Other Areas)

△ Indicates safety critical components.

## PARTS LIST

### AUDIO UNIT (X09-8950-10)

Ref. No.	Add	New	Parts No.	Description	Destination	Ref. No.	Add	New	Parts No.	Description	Destination
CN1 ,2			E41-1682-05	PIN ASSY		R136			RK73GB2A103J	CHIP R 10K J 1/10W	
J1		*	E63-0977-05	PIN JACK		R137			RK73GB2A431J	CHIP R 430 J 1/10W	
J2			E58-1120-05	RECTANGULAR RECEPTACLE		R138			RK73GB2A623J	CHIP R 62K J 1/10W	
J3		*	E70-0864-05	SCREW TERMINAL BOARD		R139			RK73GB2A621J	CHIP R 620 J 1/10W	
△ CN3			J13-0602-05	FUSE HOLDER		R140			RK73GB2A154J	CHIP R 150K J 1/10W	
L1 ,2			L33-2444-05	CHOKE COIL		R141			RK73GB2A103J	CHIP R 10K J 1/10W	
L3		*	L19-0836-05	TRANSFORMER FOR CONVERTER		R142			RK73GB2A241J	CHIP R 240 J 1/10W	
G	2B		N09-6447-05	TAPTITE SCREW (3X10 P)		R143			RK73GB2A103J	CHIP R 10K J 1/10W	
R1 ,2			RK73EB2E100J	CHIP R 10 J 1/4W		R144			RK73GB2A222J	CHIP R 2.2K J 1/10W	
R3 ,4			RK73EB2E163J	CHIP R 16K J 1/4W		R145			RK73GB2A563J	CHIP R 56K J 1/10W	
R5 ,6			RK73EB2E333J	CHIP R 33K J 1/4W		R146			RK73GB2A103J	CHIP R 10K J 1/10W	
R7 ,8			RK73PB2H100J	CHIP R 10 J 1/2W		R147			RK73GB2A154J	CHIP R 150K J 1/10W	
R9 ,10			RK73GB2A472J	CHIP R 4.7K J 1/10W		R148			RK73GB2A222J	CHIP R 2.2K J 1/10W	
R11 -14			RK73GB2A470J	CHIP R 47 J 1/10W		R149			RK73GB2A241J	CHIP R 240 J 1/10W	
R15 ,16			RK73GB2A152J	CHIP R 1.5K J 1/10W		R150			RK73GB2A473J	CHIP R 47K J 1/10W	
R17			RK73GB2A333J	CHIP R 33K J 1/10W		R151			RK73GB2A222J	CHIP R 2.2K J 1/10W	
R18 ,19			RK73GB2A103J	CHIP R 10K J 1/10W		R152,153			RK73GB2A203J	CHIP R 20K J 1/10W	
R20			RK73GB2A334J	CHIP R 330K J 1/10W		R154			RK73GB2A103J	CHIP R 10K J 1/10W	
R21			RK73GB2A103J	CHIP R 10K J 1/10W		R155	*		R92-5413-05	METAL P-R 0.1 J 2W	
R22			RK73GB2A104J	CHIP R 100K J 1/10W		R156			RK73GB2A103J	CHIP R 10K J 1/10W	
R23			RK73GB2A103J	CHIP R 10K J 1/10W		R157			RK73GB2A184J	CHIP R 180K J 1/10W	
R24			RK73GB2A203J	CHIP R 20K J 1/10W		R158			RK73GB2A752J	CHIP R 7.5K J 1/10W	
R25			RK73GB2A682J	CHIP R 6.8K J 1/10W		R159			RK73GB2A103J	CHIP R 10K J 1/10W	
R26			RK73GB2A104J	CHIP R 100K J 1/10W		R160			RK73GB2A912J	CHIP R 9.1K J 1/10W	
R27			RK73GB2A102J	CHIP R 1.0K J 1/10W		R161			RK73GB2A104J	CHIP R 100K J 1/10W	
R28 -30			RK73PB2H100J	CHIP R 10 J 1/2W		R162			RK73GB2A752J	CHIP R 7.5K J 1/10W	
R32			RK73GB2A470J	CHIP R 47 J 1/10W		R163			RK73GB2A473J	CHIP R 47K J 1/10W	
R34			RK73GB2A151J	CHIP R 150 J 1/10W		R165			RK73GB2A222J	CHIP R 2.2K J 1/10W	
R35			RK73GB2A103J	CHIP R 10K J 1/10W		R166			RK73GB2A473J	CHIP R 47K J 1/10W	
R49			RK73GB2A1R0J	CHIP R 1.0 J 1/10W		R167			RK73GB2A473J	CHIP R 47K J 1/10W	
R50			RK73EB2E222J	CHIP R 2.2K J 1/4W		R168-171			RN73GE1J101D	METAL F-R 100 D 1/16W	
R51 ,52			RK73GB2A2R2J	CHIP R 2.2 J 1/10W		R201			RK73GB2A113J	CHIP R 11K J 1/10W	
R53			RK73GB2A102J	CHIP R 1.0K J 1/10W		R202			RK73EB2E100J	CHIP R 10 J 1/4W	
R54 -56			RK73GB2A470J	CHIP R 47 J 1/10W		R203,204			RD14BB2C223J	RD 22K J 1/6W	
R58			RK73GB2A103J	CHIP R 10K J 1/10W		R205-208			RK73GB2A102J	CHIP R 1.0K J 1/10W	
R59			RK73GB2A104J	CHIP R 100K J 1/10W		R209,210			RK73GB2A101J	CHIP R 100 J 1/10W	
R60			RK73GB2A103J	CHIP R 10K J 1/10W		R211,212			RD14BB2C102J	RD 1.0K J 1/6W	
R61			RK73GB2A472J	CHIP R 4.7K J 1/10W		R213,214			RD14BB2C223J	RD 22K J 1/6W	
R62			RK73GB2A102J	CHIP R 1.0K J 1/10W		R215-218			RK73GB2A151J	CHIP R 150 J 1/10W	
R71 ,72			RK73EB2E2R2J	CHIP R 2.2 J 1/4W		R219-222			RD14BB2C622J	RD 6.2K J 1/6W	
R73 ,74			RK73GB2A101J	CHIP R 100 J 1/10W		R223,224			RK73GB2A101J	CHIP R 100 J 1/10W	
R100			RK73EB2E102J	CHIP R 1.0K J 1/4W		R225,226			RK73GB2A132J	CHIP R 1.3K J 1/10W	
R101,102			RD14BB2C102J	RD 1.0K J 1/6W		R227,228			RK73GB2A223J	CHIP R 22K J 1/10W	
R103-106			RK73GB2A103J	CHIP R 10K J 1/10W		R229-232			RK73GB2A512J	CHIP R 5.1K J 1/10W	
R107,108			RK73GB2A123J	CHIP R 12K J 1/10W		R233-236			RK73EB2E101J	CHIP R 100 J 1/4W	
R109-112			RN73GE1J103D	METAL F-R 10K D 1/16W		R237,238			RK73GB2A362J	CHIP R 3.6K J 1/10W	
R113,114			RK73GB2A472J	CHIP R 4.7K J 1/10W		R239,240			RK73GB2A472J	CHIP R 4.7K J 1/10W	
R115,116			RK73GB2A473J	CHIP R 47K J 1/10W		R241,242			RK73GB2A103J	CHIP R 10K J 1/10W	
R120,121			RK73EB2E222J	CHIP R 2.2K J 1/4W		R243	*		R92-5413-05	METAL P-R 0.1 J 2W	
R122			RK73EB2E104J	CHIP R 100K J 1/4W		R245-248	*		R92-5413-05	METAL P-R 0.1 J 2W	
R123-126			RN73GE1J103D	METAL F-R 10K D 1/16W		R249,250			RK73GB2A362J	CHIP R 3.6K J 1/10W	
R127-129			RK73EB2E104J	CHIP R 100K J 1/4W		R251	*		RK73GB2A330J	CHIP R 33 J 1/10W	
R135			RK73GB2A431J	CHIP R 430 J 1/10W		R257,258	*		R92-5413-05	METAL P-R 0.1 J 2W	
						R260			RK73GB2A330J	CHIP R 33 J 1/10W	
						R261,262			RK73EB2E471J	CHIP R 470 J 1/4W	
						R263,264			RK73GB2A152J	CHIP R 1.5K J 1/10W	

K: KAC-7205 (North America)  
M1: KAC-7205 M2: KAC-7205M (Other Areas)

△ Indicates safety critical components.

# KAC-7205/7205M

## PARTS LIST

### AUDIO UNIT (X09-8950-10)

Ref. No.	A d	N e w	Parts No.	Description	Desti- nation
R265,266			RK73GB2A103J	CHIP R 10K J 1/10W	
R271,272			RK73EB2E471J	CHIP R 470 J 1/4W	
R273-279			RK73EB2E2R2J	CHIP R 2.2 J 1/4W	
R280			RK73GB2A113J	CHIP R 11K J 1/10W	
R281			RK73GB2A243J	CHIP R 24K J 1/10W	
R282			RK73EB2E2R2J	CHIP R 2.2 J 1/4W	
R283			RK73GB2A303J	CHIP R 30K J 1/10W	
R285,286			RK73GB2A103J	CHIP R 10K J 1/10W	
R287			RK73GB2A243J	CHIP R 24K J 1/10W	
R289,290			RK73GB2A101J	CHIP R 100 J 1/10W	
R422,423			RK73GB2A102J	CHIP R 1.0K J 1/10W	
R600			RK73GB2A223J	CHIP R 22K J 1/10W	
R602			RK73GB2A103J	CHIP R 10K J 1/10W	
R603			RK73GB2A101J	CHIP R 100 J 1/10W	
R604			RK73GB2A103J	CHIP R 10K J 1/10W	
R605			RK73GB2A333J	CHIP R 33K J 1/10W	
R606			RK73GB2A103J	CHIP R 10K J 1/10W	
R607			RK73GB2A472J	CHIP R 4.7K J 1/10W	
R608			RK73EB2E183J	CHIP R 18K J 1/4W	
R609			RK73GB2A333J	CHIP R 33K J 1/10W	
R610			RK73GB2A303J	CHIP R 30K J 1/10W	
R611,612			RK73GB2A362J	CHIP R 3.6K J 1/10W	
R613			RK73GB2A152J	CHIP R 1.5K J 1/10W	
R614			RK73GB2A682J	CHIP R 6.8K J 1/10W	
R615			RK73GB2A392J	CHIP R 3.9K J 1/10W	
R616			RD14BB2C392J	RD 3.9K J 1/6W	
R617			RK73GB2A123J	CHIP R 12K J 1/10W	
R618			RK73GB2A432J	CHIP R 4.3K J 1/10W	
R619			RD14BB2C4R7J	RD 4.7 J 1/6W	
R620,621			RK73GB2A473J	CHIP R 47K J 1/10W	
R622			RD14BB2C222J	RD 2.2K J 1/6W	
R624			RK73GB2A432J	CHIP R 4.3K J 1/10W	
R625			RK73EB2E621J	CHIP R 620 J 1/4W	
R626			RK73GB2A681J	CHIP R 680 J 1/10W	
R627			RK73GB2A102J	CHIP R 1.0K J 1/10W	
R629			RK73GB2A103J	CHIP R 10K J 1/10W	
R630			RK73GB2A473J	CHIP R 47K J 1/10W	
R631,632			RK73GB2A123J	CHIP R 12K J 1/10W	
R633			RK73GB2A622J	CHIP R 6.2K J 1/10W	
R634			RK73GB2A222J	CHIP R 2.2K J 1/10W	
R635			RK73GB2A103J	CHIP R 10K J 1/10W	
R636			RK73GB2A183J	CHIP R 18K J 1/10W	
R638			RK73GB2A223J	CHIP R 22K J 1/10W	
R639			RK73GB2A103J	CHIP R 10K J 1/10W	
R640			RK73EB2E152J	CHIP R 1.5K J 1/4W	
R643			RK73GB2A224J	CHIP R 220K J 1/10W	
R646			RK73GB2A302J	CHIP R 3.0K J 1/10W	
R647			RK73GB2A224J	CHIP R 220K J 1/10W	
R648			RK73GB2A472J	CHIP R 4.7K J 1/10W	
R649			RK73GB2A272J	CHIP R 2.7K J 1/10W	
R650			RK73GB2A104J	CHIP R 100K J 1/10W	
R651			RK73GB2A472J	CHIP R 4.7K J 1/10W	
R652,653			RK73GB2A432J	CHIP R 4.3K J 1/10W	
R656			RK73GB2A392J	CHIP R 3.9K J 1/10W	
R658			RK73GB2A473J	CHIP R 47K J 1/10W	

Ref. No.	A d	N e w	Parts No.	Description	Desti- nation
R659			RK73GB2A562J	CHIP R 5.6K J 1/10W	
R660			RK73GB2A473J	CHIP R 47K J 1/10W	
R661			RK73GB2A433J	CHIP R 43K J 1/10W	
R662,663			RK73GB2A103J	CHIP R 10K J 1/10W	
R664			RK73GB2A433J	CHIP R 43K J 1/10W	
R665,666			RK73GB2A363J	CHIP R 36K J 1/10W	
R667,668			RK73GB2A470J	CHIP R 47 J 1/10W	
R691			RK73GB2A103J	CHIP R 10K J 1/10W	
R692			RK73GB2A100J	CHIP R 10 J 1/10W	
R693			RK73GB2A103J	CHIP R 10K J 1/10W	
R694			RK73GB2A223J	CHIP R 22K J 1/10W	
R695			RK73GB2A103J	CHIP R 10K J 1/10W	
R696			RK73GB2A201J	CHIP R 200 J 1/10W	
R699			RK73EB2E183J	CHIP R 18K J 1/4W	
R914			RK73GB2A303J	CHIP R 30K J 1/10W	
R915,916			RK73GB2A103J	CHIP R 10K J 1/10W	
VR2			R31-0215-15	VARIABLE RESISTOR 50K	
VR3			R31-0232-15	VARIABLE RESISTOR 10K	
VR4			R31-0249-05	VARIABLE RESISTOR 10K	
VR5,6			R32-0151-05	SEMI FIXED VARIABLE R 470	
W200			RK73EB2E000J	CHIP R 0.0 J 1/4W	
W201			RK73GB2A000J	CHIP R 0.0 J 1/10W	
W202,203			RK73EB2E000J	CHIP R 0.0 J 1/4W	
W204-215			RK73GB2A000J	CHIP R 0.0 J 1/10W	
W218			RK73EB2E000J	CHIP R 0.0 J 1/4W	
W219			RK73GB2A000J	CHIP R 0.0 J 1/10W	
W220			RK73EB2E000J	CHIP R 0.0 J 1/4W	
W221			RK73GB2A000J	CHIP R 0.0 J 1/10W	
W223			RK73GB2A000J	CHIP R 0.0 J 1/10W	
W224			RK73EB2E000J	CHIP R 0.0 J 1/4W	
W225-230			RK73GB2A000J	CHIP R 0.0 J 1/10W	
W232,233			RK73EB2E000J	CHIP R 0.0 J 1/4W	
W234-237			RK73GB2A000J	CHIP R 0.0 J 1/10W	
W238			RK73EB2E000J	CHIP R 0.0 J 1/4W	
W239-242			RK73GB2A000J	CHIP R 0.0 J 1/10W	
W243,244			RK73EB2E000J	CHIP R 0.0 J 1/4W	
W245			RK73GB2A000J	CHIP R 0.0 J 1/10W	
W247-249			RK73GB2A000J	CHIP R 0.0 J 1/10W	
W252			RK73EB2E000J	CHIP R 0.0 J 1/4W	
W253-257			RK73GB2A000J	CHIP R 0.0 J 1/10W	
W258			RK73EB2E000J	CHIP R 0.0 J 1/4W	
W259-263			RK73GB2A000J	CHIP R 0.0 J 1/10W	
W265-269			RK73GB2A000J	CHIP R 0.0 J 1/10W	
W270			RK73EB2E000J	CHIP R 0.0 J 1/4W	
W271-273			RK73GB2A000J	CHIP R 0.0 J 1/10W	
W275			RK73EB2E000J	CHIP R 0.0 J 1/4W	
W276-282			RK73GB2A000J	CHIP R 0.0 J 1/10W	
W283			RK73EB2E000J	CHIP R 0.0 J 1/4W	
W284-288			RK73GB2A000J	CHIP R 0.0 J 1/10W	
W291-299			RK73GB2A000J	CHIP R 0.0 J 1/10W	
W300			RK73EB2E000J	CHIP R 0.0 J 1/4W	
W301-304			RK73GB2A000J	CHIP R 0.0 J 1/10W	
W305			RK73EB2E000J	CHIP R 0.0 J 1/4W	
W306-308			RK73GB2A000J	CHIP R 0.0 J 1/10W	
W309			RK73EB2E000J	CHIP R 0.0 J 1/4W	

K: KAC-7205 (North America)  
M1: KAC-7205 M2: KAC-7205M (Other Areas)

△ Indicates safety critical components.

## PARTS LIST

## AUDIO UNIT (X09-8950-10)

Ref. No.	Add	New	Parts No.	Description	Destination	Ref. No.	Add	New	Parts No.	Description	Destination
W310-315			RK73GB2A000J	CHIP R 0.0 J 1/10W		Q16			KTC3200-P	TRANSISTOR	
W317,318			RK73GB2A000J	CHIP R 0.0 J 1/10W		Q17		*	KTA1268-P	TRANSISTOR	
W320,321			RK73GB2A000J	CHIP R 0.0 J 1/10W		Q19			STP60NF06FP	FET	
W323-325			RK73EB2E000J	CHIP R 0.0 J 1/4W		Q50		*	ISA1602AM1(F)	TRANSISTOR	
W326-328			RK73GB2A000J	CHIP R 0.0 J 1/10W		Q51		*	2SC4154(F)	TRANSISTOR	
W601			RK73FB2B000J	CHIP R 0.0 J 1/8W		Q201-204		*	KTA1268-P	TRANSISTOR	
W602-604			RK73EB2E000J	CHIP R 0.0 J 1/4W		Q205-208			2SC4449(E,F)	TRANSISTOR	
W605			RK73GB2A000J	CHIP R 0.0 J 1/10W		Q209,210			2SA1689(E,F)	TRANSISTOR	
W606,607			RK73EB2E000J	CHIP R 0.0 J 1/4W		Q211			KTC3114-PH(A)	TRANSISTOR	
W608,609			RK73GB2A000J	CHIP R 0.0 J 1/10W		Q213			KTC3114-PH(A)	TRANSISTOR	
S6			S62-0842-05	SLIDE SWITCH		Q215,216			KTC3200-P	TRANSISTOR	
D3 ,4		*	RKZ16KG(B2)	ZENER DIODE		Q217,218		*	KTA1268-P	TRANSISTOR	
D5			FCH10A20	DIODE		Q220			2SC4468NF	TRANSISTOR	
D6			FRH10A20	DIODE		Q222			2SA1695NF	TRANSISTOR	
D7			HSS4148	DIODE		Q223,224			2SC4468NF	TRANSISTOR	
D8 ,9			HSU119TRF-E	DIODE		Q225,226			2SA1695NF	TRANSISTOR	
D10			LM1MA142WK-G	DIODE		Q227			2SC4468NF	TRANSISTOR	
D50			HSS4148	DIODE		Q229			2SA1695NF	TRANSISTOR	
D52			LM1MA142WK-G	DIODE		Q241,242		*	2SC4154(F)	TRANSISTOR	
D101			LM1MA142WK-G	DIODE		Q251			2SC2235-F	TRANSISTOR	
D102			LM1MA142WA-G	DIODE		Q252			2SA965-F	TRANSISTOR	
D103,104			RKZ6.8KG(B2)	ZENER DIODE		Q253			2SC2235-F	TRANSISTOR	
D152			HSS4148	DIODE		Q254,255			2SA965-F	TRANSISTOR	
D203-206			HSS4148	DIODE		Q256			2SC2235-F	TRANSISTOR	
D251			HSS4148	DIODE		Q257			2SA965-F	TRANSISTOR	
D253			LM1MA142WK-G	DIODE		Q258			2SC2235-F	TRANSISTOR	
D254			LM1MA142WA-G	DIODE		Q281-284		*	2SC4154(F)	TRANSISTOR	
D255			LM1MA142WK-G	DIODE		Q602		*	2SC4154(F)	TRANSISTOR	
D260,261			HSS4148	DIODE		Q603		*	ISA1602AM1(F)	TRANSISTOR	
D295,296			LM1MA142WA-G	DIODE		Q604		*	2SB1241	TRANSISTOR	
D601-603			HSS4148	DIODE		Q605,606		*	2SC4154(F)	TRANSISTOR	
D604		*	RKZ10KG(B2)	ZENER DIODE		Q609			2SD1863	TRANSISTOR	
D605			HSS4148	DIODE		Q610-613			2SC1740S(Q,R)	TRANSISTOR	
D606		*	RKZ15KG(B2)	ZENER DIODE		Q614,615		*	ISA1602AM1(F)	TRANSISTOR	
D607		*	RKZ6.2KG(B2)	ZENER DIODE		Q616		*	2SC4154(F)	TRANSISTOR	
D608		*	RKZ13KG(B2)	ZENER DIODE		Q617		*	ISA1602AM1(F)	TRANSISTOR	
D610-613			HSS4148	DIODE		Q618		*	2SC4154(F)	TRANSISTOR	
D614		*	RKZ10KG(B2)	ZENER DIODE		Q698		*	ISA1602AM1(F)	TRANSISTOR	
D615,616			HSS4148	DIODE		TH601,602			NCP18XH103J0S	THERMISTOR	
D624			HSS4148	DIODE		TH605			NCP18XH103J0S	THERMISTOR	
D699			HSS4148	DIODE							
IC1 ,2			BA4560RF	ANALOGUE IC							
IC5			TL494IDR	ANALOGUE IC							
IC6			BA4560RF	ANALOGUE IC							
IC8			BA4560RF	ANALOGUE IC							
IC10-12			BA4560RF	ANALOGUE IC							
Q1			2SC4883ANF	TRANSISTOR							
Q2			2SA1859ANF	TRANSISTOR							
Q3 -7			STP60NF06FP	FET							
Q9		*	2SC6120	TRANSISTOR							
Q10 ,11			2SA1577	TRANSISTOR							
Q12		*	2SC6120	TRANSISTOR							
Q13 ,14		*	RT1P141M-T111	TRANSISTOR							
Q15		*	2SC4154(F)	TRANSISTOR							

K: KAC-7205 (North America)

M1: KAC-7205 M2: KAC-7205M (Other Areas)

△ Indicates safety critical components.