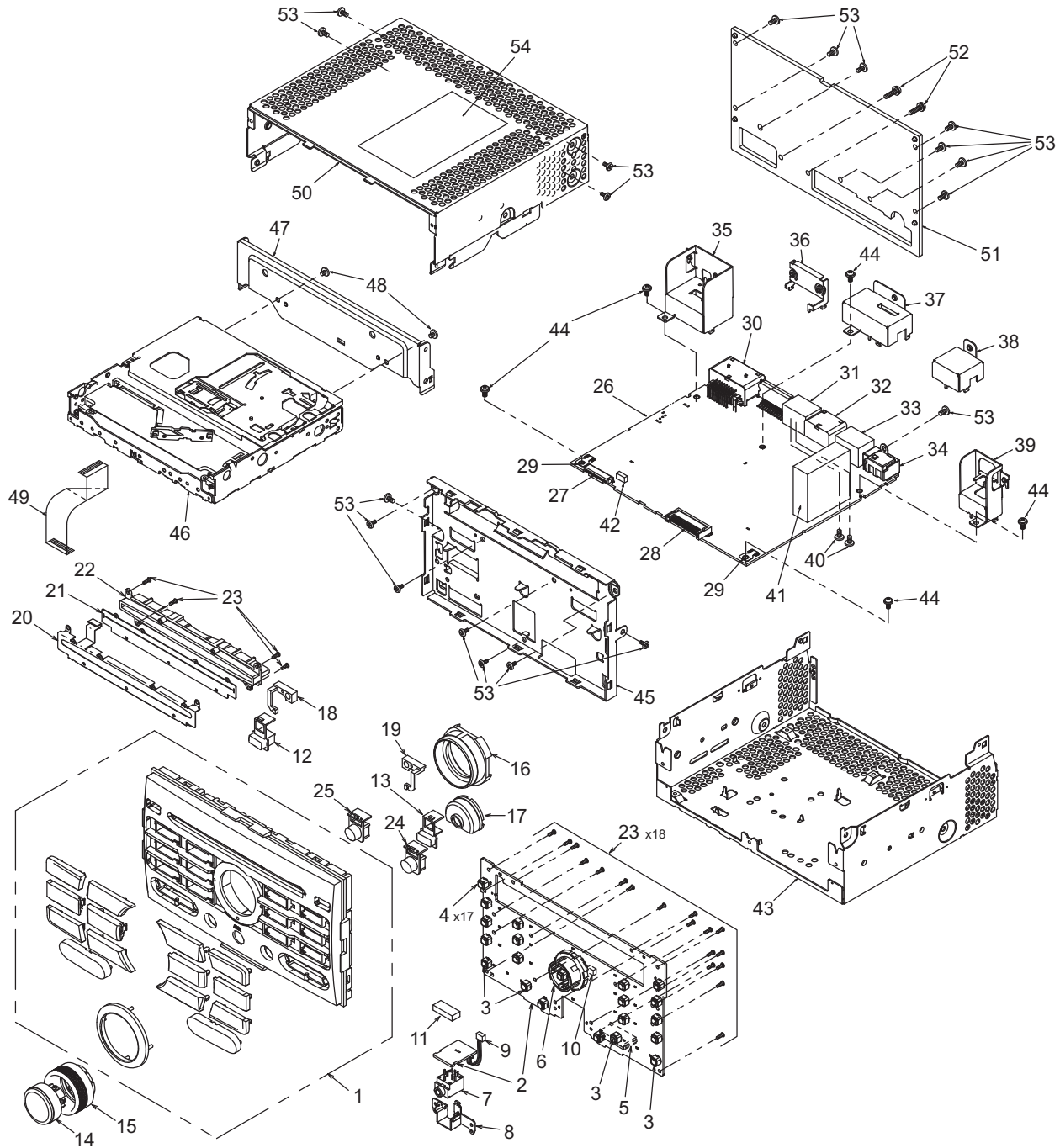


EXPLODED VIEW/PARTS LIST

Main section



Note) Some parts depend on each model. The model name is specified in the description.

NO.	PART NO.	DESCRIPTION	Q'TY
1	940-8070-84 940-8070-85	ES-ASSY(for PN3080MA) ES-ASSY(for PN3080MB)	1
2	-----	SWITCH PWB	1
3	013-6204-50	TACT SWITCH	4
4	013-6206-50	TACT SWITCH	17
5	074-3013-72	OUTLET SOCKET(22P)	1
6	016-7005-00	ROTARY ENCODER	1
7	075-0306-00	MINI JACK(AUX)	1
8	331-4022-00	JACK HOLDER	1

NO.	PART NO.	DESCRIPTION	Q'TY
9	854-4601-50	EXTENSION LEAD	1
10	076-0478-55	PLUG(5P)	1
11	345-8217-01	CUSHION RUBBER	1
12	382-7207-81	BUTTON(MUTE)	1
13	382-7208-80	BUTTON(EJ)	1
14	382-7225-80	BUTTON(PWR)	1
15	380-5607-80	KNOB	1
16	335-7343-81	ILLUMI(RING)	1

NO.	PART NO.	DESCRIPTION	Q'TY
17	335-7344-80	ILLUMI(AUX)	1
18	335-7345-80	INDICATOR(L)	1
19	335-7346-80	INDICATOR(R)	1
20	331-4021-00	SURGE PLATE	1
21	346-0149-00	LEATHER SHEET	1
22	335-6805-00	DISC GUIDE	1
23	716-0778-51	P-TIGHT SCREW(M2 x 6)	22
24	382-7223-80	BUTTON(<<)	1
25	382-7224-80	BUTTON(TONE)	1
26	-----	MAIN PWB	1
27	074-1189-88	SOCKET(38P)	1
28	076-3011-72	PLUG(22P)	1
29	073-0762-90	TERMINAL	2
30	074-4009-20	OUTLET SOCKET(TH18HW)	1
31	074-1302-12	OUTLET SOCKET(TH12HW)	1
32	074-1013-00	OUTLET SOCKET(A12MW) (for PN3080MA)	1
33	074-1284-00	OUTLET SOCKET(TK12HW)	1
34	092-2210-01	ANT-RECEPT	1
35	331-4679-00	SOCKET HOLDER	1
36	331-4678-00	IC-HOLDER	1

NO.	PART NO.	DESCRIPTION	Q'TY
37	331-4672-80	CONNECTOR HOLDER	1
38	331-4673-80	CONNECTOR HOLDER	1
39	331-4676-00	ANT-HOLDER	1
40	778-3006-00	TAP-SCREW(3 x 6)	2
41	880-2091L	TUNER PACK	1
42	076-6000-59	PLUG(9P)	1
43	311-1969-00	LOWER CASE	1
44	716-0878-50	SCREW(M2.6 x 5)	5
45	309-1884-80	ES PALTE	1
46	929-5027-80	CD-MECH-MODULE	1
47	331-4671-80	MECH BRKT	1
48	714-2603-89	MACHINE SCREW(M2.6 x 3)	2
49	816-3020-51	FLAT WIRE	1
50	310-1889-00	UPPER CASE	1
51	313-2052-80 313-2052-90	HEAT SINK(for PN3080MA) HEAT SINK(for PN3080MB)	1
52	735-2614-1B	D-SEMS SCREW(M2.6 x 14)	2
53	714-2606-8B	MACHINE SCREW(M2.6 x 6)	19
54	276-0153-03 276-0153-04	SETPLATE(for PN3080MA) SETPLATE(for PN3080MB)	1

ELECTRICAL PARTS LIST

* Some parts of PN3080MA and model PN3080MB are different.
Please refer to the column of "DESCRIPTION".

Main PWB(B1) section

REF No.	PART No.	DESCRIPTION	REF No.	PART No.	DESCRIPTION	REF No.	PART No.	DESCRIPTION
ANT101	092-2210-01	ANT-RECEPT	C227	043-0552-90	6.3V 47uF M	C330	166-1011-50	100pF CH
BL101	880-2091L	TUNER PACK	C230	168-2242-58	0.22uF K	C331	168-1042-78	16V 0.1uF
C101	168-2222-55	2200pF K	C231	168-3342-58	0.33uF K	C332	166-1011-50	100pF CH
C104	119-0000-05	1/10W 0 ohm JW	C232	043-0554-90	25V 10uF	C333	166-1011-50	100pF CH
C108	166-1511-50	150pF CH	C238	163-1063-35	16V 10uF	C334	168-1022-55	1000pF K
C112	043-0319-51	200pF J CH	C243	168-1042-78	16V 0.1uF	C335	163-1063-35	16V 10uF
C113	166-2201-50	22pF CH	C245	168-2222-55	2200pF K	C336	168-1052-78	16V 1uF
C118	168-1022-55	1000pF K	C246	168-2222-55	2200pF K	C337	168-3332-78	0.033uF K
C121	163-1073-35	16V 100uF	C247	168-5622-55	5600pF K	C338	168-1022-55	1000pF K
C124	168-2222-55	2200pF K	C248	168-5622-55	5600pF K	C340	168-1022-55	1000pF K
C127	168-1022-55	1000pF K	C249	168-1022-55	1000pF K	C341	166-1011-50	100pF CH
C129	168-1022-55	1000pF K	C301	163-4753-65	50V 4.7uF	C342	168-1022-55	1000pF K
C132	168-1022-55	1000pF K	C302	168-1042-78	16V 0.1uF	C343	168-4712-55	470pF K
C135	168-1022-55	1000pF K	C303	166-1811-50	180pF CH	C344	168-1042-78	16V 0.1uF
C136	163-1073-35	16V 100uF	C304	168-1042-78	16V 0.1uF	C345	168-1022-55	1000pF K
C152	163-1063-35	16V 10uF	C305	168-1042-78	16V 0.1uF	C347	168-3322-55	3300pF K
C154	163-1063-35	16V 10uF	C306	166-8097-50	8pF C CH	C348	168-3322-55	3300pF K
C203	168-1042-78	16V 0.1uF	C307	166-8097-50	8pF C CH	C349	168-3322-55	3300pF K
C204	163-3363-25	10V 33uF	C308	168-1022-55	1000pF K	C350	168-3322-55	3300pF K
C209	043-0570-90	16V 2.2uF K (for PN3080MA)	C309	163-4753-65	50V 4.7uF	C351	168-3322-55	3300pF K
C210	043-0570-90	16V 2.2uF K (for PN3080MA)	C310	168-1042-78	16V 0.1uF	C352	168-3322-55	3300pF K
C211	043-0570-90	16V 2.2uF K (for PN3080MA)	C311	163-4753-65	50V 4.7uF	C354	043-0554-90	25V 10uF
C212	043-0570-90	16V 2.2uF K (for PN3080MA)	C312	168-1042-78	16V 0.1uF	C355	042-1736-90	16V 470uF M
C214	168-1022-55	1000pF K (for PN3080MA)	C313	168-1022-55	1000pF K	C356	168-4722-55	4700pF K
C217	168-1022-55	1000pF K (for PN3080MA)	C314	168-1022-55	1000pF K	C357	163-1073-35	16V 100uF
C218	168-1022-55	1000pF K (for PN3080MA)	C315	166-1011-50	100pF CH	C358	168-2222-55	2200pF K
C219	168-3332-78	0.033uF K	C316	168-1042-78	16V 0.1uF	C359	043-0570-90	16V 2.2uF K
C220	168-3332-78	0.033uF K	C317	168-5622-55	5600pF K	C360	043-0570-90	16V 2.2uF K
C221	168-4722-55	4700pF K	C318	168-5622-55	5600pF K	C361	166-2201-50	22pF CH
C222	168-4722-55	4700pF K	C319	166-1011-50	100pF CH	C362	168-2222-55	2200pF K
C224	168-1042-78	16V 0.1uF	C320	166-1011-50	100pF CH	C363	166-2201-50	22pF CH
			C322	166-1011-50	100pF CH	C364	166-2201-50	22pF CH
			C323	168-1022-55	1000pF K	C365	168-2222-55	2200pF K
			C324	163-2273-05	4V 220uF	C366	166-2201-50	22pF CH
			C325	168-2222-55	2200pF K	C367	168-2222-55	2200pF K
			C326	166-4711-50	470pF CH	C368	166-2201-50	22pF CH
			C327	163-2263-35	16V 22uF	C369	166-2201-50	22pF CH
			C328	163-4763-15	6.3V 47uF	C370	043-0570-90	16V 2.2uF K

REF No.	PART No.	DESCRIPTION	REF No.	PART No.	DESCRIPTION	REF No.	PART No.	DESCRIPTION
C371	043-0570-90	16V 2.2uF K	C579	168-1022-55	1000pF K	IC301	-----	SAF7730HV/N332
C372	043-0570-90	16V 2.2uF K	C590	168-2222-55	2200pF K			(impossible to exchange)
C373	043-0570-90	16V 2.2uF K	C591	168-2222-55	2200pF K			(670650-051)
C401	168-1042-78	16V 0.1uF	C592	042-4000-90	16V 470uF	IC302	051-3020-90	NJM4565V
C402	168-1042-78	16V 0.1uF	CCT301	050-0145-51	1/16W 100k ohm x4	IC401	051-9426-90	S-24CS16A01-T8T1G
C403	166-2201-50	22pF CH	CCT302	050-0145-51	1/16W 100k ohm x4			
C404	166-2201-50	22pF CH	CCT401	050-0145-52	1/16W 1k ohm x4	IC403	052-3222-10	M30876FJAGP
C406	168-2242-58	0.22uF B	CCT402	050-0145-52	1/16W 1k ohm x4	IC404	051-6607-08	PCA82C250T-T
C408	166-1801-50	18pF CH	CCT403	050-0145-52	1/16W 1k ohm x4	IC405	051-5417-08	S-80927CNMC-B8M
C409	168-1042-78	16V 0.1uF	CCT404	050-0145-52	1/16W 1k ohm x4	IC502	051-3019-90	NJM2060V
C410	163-2273-05	4V 220uF	D104	001-0580-90	1SS352	IC503	051-3551-90	NJM2878F3-33-TE1
C411	168-1042-78	16V 0.1uF	D106	001-0529-48	MA8091-H	IC504	051-3396-90	NJM2386ADL3-33-TE1
C412	168-1032-55	0.01uF K	D107	001-0580-90	1SS352			
C501	168-1042-78	16V 0.1uF	D108	001-4320-50	EDZC6.8B			
C502	168-1042-78	16V 0.1uF	D109	001-4320-50	EDZC6.8B	IC505	-----	LT3481EMSE#TRPBF
C503	168-1042-78	16V 0.1uF	D110	001-4320-50	EDZC6.8B			(impossible to exchange)
C504	168-1042-78	16V 0.1uF	D111	001-4320-50	EDZC6.8B			(351790-051)
C506	166-5611-50	560pF CH	D112	001-4320-50	EDZC6.8B			
C507	166-5611-50	560pF CH	D113	001-4320-50	EDZC6.8B	IC506	051-2067-00	TB2946HQ
C509	166-5611-50	560pF CH	D201	001-4320-50	EDZC6.8B	IC507	051-3034-90	NJM4558V
C510	166-5611-50	560pF CH	D204	001-4305-39	UDZSTE-17 36B	IC508	051-5441-08	BD4828G-TR
C511	166-2201-50	22pF CH			(for PN3080MA)	J101	074-1284-00	12P(TK12HW)
C512	166-2201-50	22pF CH	D206	001-0580-90	1SS352	J201	074-1302-12	12P(TH12HW)
C513	166-2201-50	22pF CH			(for PN3080MA)	J202	074-1189-88	38P
C514	166-2201-50	22pF CH	D207	001-0580-90	1SS352	J206	074-1013-00	12P(A12MW)
C515	168-3342-58	0.33uF K			(for PN3080MA)			(for PN3080MA)
C516	163-1073-35	16V 100uF	D208	001-0580-90	1SS352	J502	074-4009-20	20P(TH18HW)
C518	166-5611-50	560pF CH	D210	001-4313-53	HZU9B1L TRF-E	L105	010-2003-04	30uH
C519	166-5611-50	560pF CH	D215	001-9210-50	AVR-	L106	010-4011-20	2.5mH +3/-3%
C520	168-3342-58	0.33uF K			M1608C270MTAAD	L107	010-3406-66	22uH J
C521	166-5611-50	560pF CH	D216	001-9210-50	AVR-	L201	010-3104-54	600 ohm/100MHZ
C522	166-5611-50	560pF CH			M1608C270MTAAD	L202	010-3104-54	600 ohm/100MHZ
C523	168-1042-78	16V 0.1uF			(for PN3080MA)	L301	010-3104-54	600 ohm/100MHZ
C524	168-2242-58	0.22uF B	D217	001-9210-50	AVR-	L302	010-3104-54	600 ohm/100MHZ
C525	043-0552-90	6.3V 47uF M			M1608C270MTAAD	L303	010-3104-54	600 ohm/100MHZ
C526	043-0566-90	50V 2.2uF K	D218	001-9210-50	AVR-	L304	010-3104-54	600 ohm/100MHZ
C527	043-0604-90	25V 10uF B			M1608C270MTAAD	L305	010-3104-54	600 ohm/100MHZ
C529	168-4742-78	0.47uF K	D219	001-9210-50	AVR-	L306	010-3104-54	600 ohm/100MHZ
C530	168-1042-38	50V 0.1uF			(for PN3080MA)	L307	010-3104-54	600 ohm/100MHZ
C531	163-2273-25	10V 220uF	D220	001-9210-50	AVR-	L308	010-3104-54	600 ohm/100MHZ
C532	168-1542-58	0.15uF K			M1608C270MTAAD	L309	010-3104-54	600 ohm/100MHZ
C533	168-1542-58	0.15uF K	D221	001-9210-50	AVR-	L310	010-3104-54	600 ohm/100MHZ
C534	168-1542-58	0.15uF K			(for PN3080MA)	L311	010-3104-54	600 ohm/100MHZ
C535	168-1542-58	0.15uF K	D222	001-9210-50	AVR-	L312	010-3104-54	600 ohm/100MHZ
C536	168-1042-38	50V 0.1uF			M1608C270MTAAD	L313	010-3104-54	600 ohm/100MHZ
C537	168-1052-78	16V 1uF	D225	001-4320-50	EDZC6.8B	L401	010-3601-50	600 ohm/100MHZ
C540	042-1760-90	16V 10uF M	D226	001-9210-50	AVR-	L402	010-3406-54	2.2uH J
C541	178-2742-78	0.27uF			(for PN3080MA)	L501	010-3104-54	600 ohm/100MHZ
C542	168-1052-78	16V 1uF K	D227	001-9210-50	EDZC6.8B	L502	010-3414-92	2.2UH
C543	163-4763-35	16V 47uF	D228	001-4320-50	EDZC6.8B	L503	010-8048-00	COIL 240uH
C544	163-2273-25	10V 220uF	D229	001-4320-50	EDZC6.8B	L504	010-3104-54	600 ohm/100MHZ
C545	168-2212-55	220pF K	D401	001-2630-90	1SS420-TPL3,F	P402	076-3011-72	22P
C546	166-2201-50	22pF CH	D501	001-2640-90	D1FJ4	P403	076-6000-59	9P
C548	163-4763-35	16V 47uF	D502	001-0529-48	MA8091-H	Q105	198-3018-00	2SK3018
C549	042-4401-00	16V 4700uF	D504	001-0529-48	MA8091-H	Q106	198-3018-00	2SK3018
C550	172-1041-15	0.1uF	D506	001-2015-00	RL253	Q107	192-5886-00	2SC5886
C551	163-4763-35	16V 47uF	D507	001-0580-90	1SS352	Q108	125-2027-90	DTC143EU
C552	163-4763-35	16V 47uF	D510	001-0529-48	MA8091-H	Q109	190-2060-00	2SA2060
C554	168-6822-55	6800pF K	D512	001-0580-90	1SS352	Q110	198-3018-00	2SK3018
C555	168-6822-55	6800pF K	D515	001-0529-34	MA8062-L	Q111	198-3018-00	2SK3018
C556	168-6822-55	6800pF K	D517	001-0529-47	MA8091-M	Q112	198-3018-00	2SK3018
C557	168-6822-55	6800pF K	D518	001-0580-90	1SS352	Q113	198-3018-00	2SK3018
C558	168-6822-55	6800pF K	D519	001-0580-90	1SS352	Q114	198-3018-00	2SK3018
C559	168-6822-55	6800pF K	D531	001-4320-50	EDZC6.8B	Q115	198-3018-00	2SK3018
C560	168-6822-55	6800pF K	D534	001-4320-50	EDZC6.8B	Q201	192-4081-00	2SC4081
C561	168-6822-55	6800pF K	D537	001-2412-90	RR264M-400			(for PN3080MA)
C562	168-6822-55	6800pF K	D539	001-2412-90	RR264M-400	Q203	192-4081-00	2SC4081
C563	043-0574-90	25V 1.0uF	IC202	051-3552-90	NJU7741F15			(for PN3080MA)
C564	168-1042-78	16V 0.1uF	IC203	051-3518-90	NJM2846DL3-33-TE1	Q204	192-4081-00	2SC4081
C565	163-1063-35	16V 10uF						(for PN3080MA)
C566	168-2232-55	0.022uF K				Q207	125-0021-91	DTA114EUA
C568	168-1522-55	1500pF K						(for PN3080MA)
C569	166-2201-50	22pF CH				Q208	125-2027-91	DTC114EUA
C570	178-2242-38	0.22uF B						(for PN3080MA)
C571	168-1542-58	0.15uF K				Q210	125-0006-90	UN2110
C572	168-1542-58	0.15uF K				Q211	125-2027-91	DTC114EUA
C573	168-1542-58	0.15uF K				Q214	193-1259-50	2SD1259DS R,Q
C574	168-1542-58	0.15uF K						

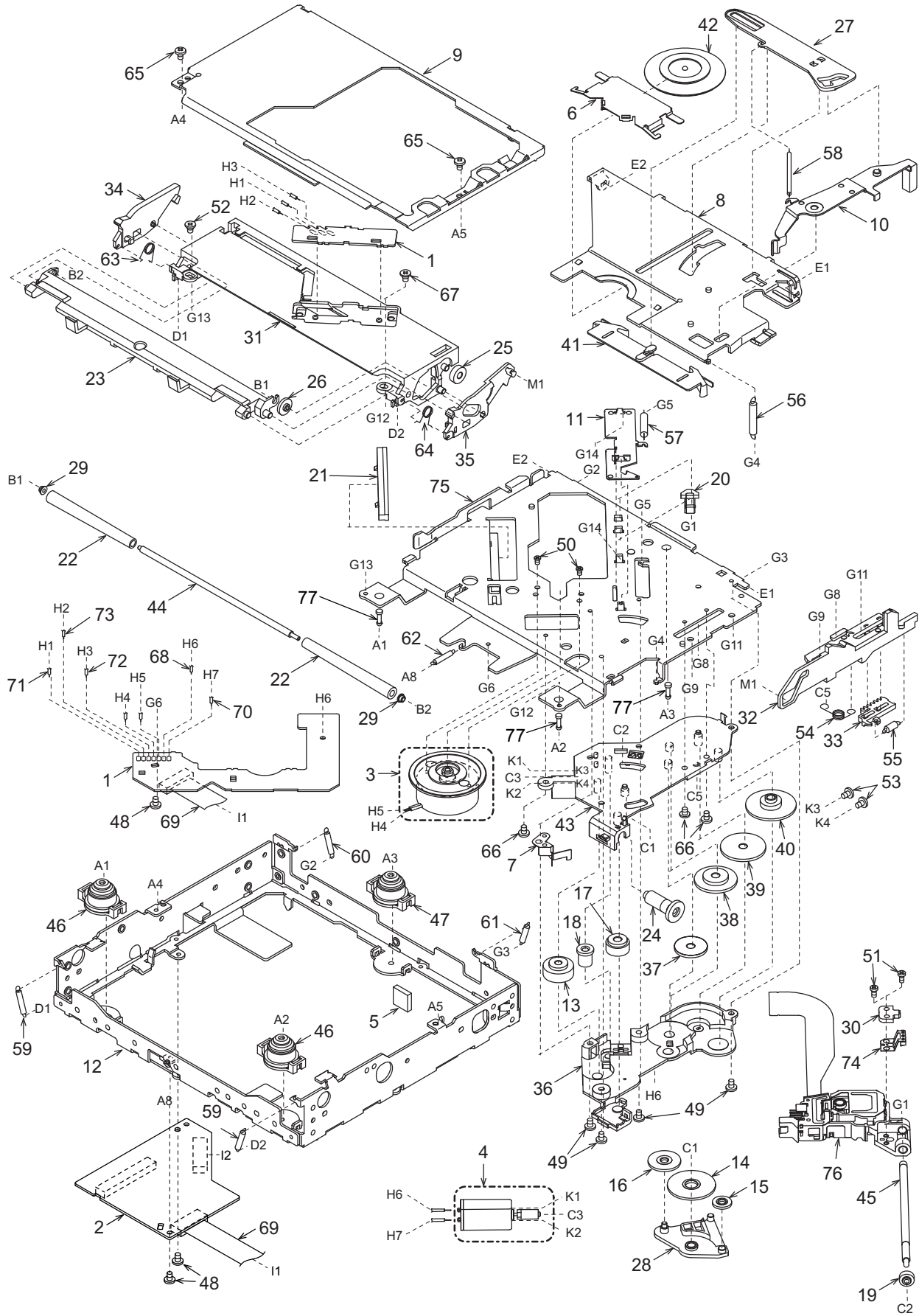
REF No.	PART No.	DESCRIPTION	REF No.	PART No.	DESCRIPTION	REF No.	PART No.	DESCRIPTION
Q301	125-7007-90	Si5441BDC-TI-E3	R238	119-4731-15	1/10W 47k ohm (for PN3080MA)	R365	032-0140-50	1/10W 10k ohm F
Q302	125-2027-91	DTC114EUA	R239	119-1031-15	1/10W 10k ohm	R366	119-1031-15	1/10W 10k ohm
Q401	198-3018-00	2SK3018	R240	119-6821-15	1/10W 6.8k ohm	R367	119-1031-15	1/10W 10k ohm
Q402	198-3018-00	2SK3018	R241	119-4731-15	1/10W 47k ohm	R401	119-1021-15	1/10W 1k ohm
Q504	125-2027-90	DTC143EU	R247	116-3911-15	1/4W 390 ohm	R402	119-1021-15	1/10W 1k ohm
Q505	191-1197-50	2SB1197K Q,R	R248	116-3911-15	1/4W 390 ohm	R403	119-1021-15	1/10W 1k ohm
Q506	192-5886-00	2SC5886	R249	119-1041-15	1/10W 100k ohm	R404	119-0000-05	1/10W 0 ohm JW
Q508	125-2027-91	DTC114EUA	R254	119-4731-15	1/10W 47k ohm	R405	119-1021-15	1/10W 1k ohm
Q511	192-5810-00	2SC5810 TE12L	R255	119-1021-15	1/10W 1k ohm	R406	119-1021-15	1/10W 1k ohm
Q512	125-2027-91	DTC114EUA	R258	119-1011-15	1/10W 100 ohm	R407	119-1021-15	1/10W 1k ohm
Q513	191-1197-50	2SB1197K Q,R	R259	119-1021-15	1/10W 1k ohm	R408	119-1021-15	1/10W 1k ohm
Q514	192-4116-51	2SC4116 G,L	R260	119-1021-15	1/10W 1k ohm	R410	119-4731-15	1/10W 47k ohm
Q515	191-1204-61	2SB1204 R,S,T	R301	119-1031-15	1/10W 10k ohm	R411	119-4721-15	1/10W 4.7k ohm
Q516	125-2027-91	DTC114EUA	R302	119-1031-15	1/10W 10k ohm	R412	119-4721-15	1/10W 4.7k ohm
Q517	191-1197-50	2SB1197K Q,R	R303	119-2201-15	1/10W 22 ohm	R413	119-3311-15	1/10W 330 ohm
Q518	192-4081-00	2SC4081	R304	032-0140-80	1/10W 18k ohm F (for PN3080MA)	R414	119-3311-15	1/10W 330 ohm
Q519	192-4116-00	2SC4116	R305	032-0140-80	1/10W 18k ohm F (for PN3080MA)	R416	119-4731-15	1/10W 47k ohm
Q521	192-4116-51	2SC4116 G,L	R306	032-0140-80	1/10W 18k ohm F (for PN3080MA)	R417	119-4731-15	1/10W 47k ohm
R109	119-0000-05	1/10W 0 ohm JW	R307	032-0140-80	1/10W 18k ohm F (for PN3080MA)	R418	119-4731-15	1/10W 47k ohm
R125	119-0000-05	1/10W 0 ohm JW	R308	119-1031-15	1/10W 10k ohm	R419	119-4731-15	1/10W 47k ohm
R135	119-1011-15	1/10W 100 ohm	R309	119-1011-15	1/10W 100 ohm	R420	119-4731-15	1/10W 47k ohm
R141	119-1011-15	1/10W 100 ohm	R310	119-1021-15	1/10W 1k ohm	R421	119-4731-15	1/10W 47k ohm
R143	119-1011-15	1/10W 100 ohm	R312	119-3921-15	1/10W 3.9k ohm	R422	119-0000-05	1/10W 0 ohm JW
R146	116-6891-15	1/4W 6.8 ohm	R314	119-3921-15	1/10W 3.9k ohm	R423	119-1011-15	1/10W 100 ohm
R150	119-3321-15	1/10W 3.3k ohm	R316	119-0000-05	1/10W 0 ohm JW	R424	119-1011-15	1/10W 100 ohm
R154	119-3321-15	1/10W 3.3k ohm	R318	119-1041-15	1/10W 100k ohm	R426	119-1021-15	1/10W 1k ohm
R155	119-3321-15	1/10W 3.3k ohm	R319	119-1041-15	1/10W 100k ohm	R432	119-1011-15	1/10W 100 ohm
R161	119-0000-05	1/10W 0 ohm JW	R320	119-1001-15	1/10W 10 ohm	R433	119-1011-15	1/10W 100 ohm
R162	119-3321-15	1/10W 3.3k ohm	R321	119-3921-15	1/10W 3.9k ohm	R434	119-1031-15	1/10W 10k ohm
R170	116-1091-15	1/4W 1 ohm	R322	119-0000-05	1/10W 0 ohm JW	R435	119-1031-15	1/10W 10k ohm
R173	116-1221-15	1/4W 1.2k ohm	R323	119-1021-15	1/10W 1k ohm	R437	119-4731-15	1/10W 47k ohm
R174	116-3911-15	1/4W 390 ohm	R324	119-3921-15	1/10W 3.9k ohm	R439	119-4731-15	1/10W 47k ohm
R176	119-1031-15	1/10W 10k ohm	R325	119-0000-05	1/10W 0 ohm JW	R440	119-4731-15	1/10W 47k ohm
R180	119-0000-05	1/10W 0 ohm JW	R327	032-0140-50	1/10W 10k ohm F (for PN3080MA)	R441	119-1031-15	1/10W 10k ohm
R182	119-3911-15	1/10W 390 ohm		119-1041-15	1/10W 100k ohm (for PN3080MB)	R442	119-4721-15	1/10W 4.7k ohm
R183	119-3911-15	1/10W 390 ohm	R329	032-0140-50	1/10W 10k ohm F (for PN3080MA)	R444	119-1021-15	1/10W 1k ohm
R184	119-3911-15	1/10W 390 ohm		119-1041-15	1/10W 100k ohm (for PN3080MB)	R446	119-4731-15	1/10W 47k ohm
R185	119-3911-15	1/10W 390 ohm				R447	119-1031-15	1/10W 10k ohm
R186	119-3911-15	1/10W 390 ohm	R331	032-0140-50	1/10W 10k ohm F (for PN3080MA)	R448	119-1021-15	1/10W 1k ohm
R187	119-3911-15	1/10W 390 ohm		119-1041-15	1/10W 100k ohm (for PN3080MB)	R449	119-4731-15	1/10W 47k ohm
R188	119-1521-15	1/10W 1.5k ohm				R450	119-0000-05	1/10W 0 ohm JW
R189	119-1521-15	1/10W 1.5k ohm				R451	119-4731-15	1/10W 47k ohm
R190	119-1521-15	1/10W 1.5k ohm	R332	032-0140-50	1/10W 10k ohm F (for PN3080MA)	R452	119-4731-15	1/10W 47k ohm
R191	119-1521-15	1/10W 1.5k ohm		119-1041-15	1/10W 100k ohm (for PN3080MB)	R453	119-1031-15	1/10W 10k ohm
R192	119-1521-15	1/10W 1.5k ohm				R454	119-4731-15	1/10W 47k ohm
R194	119-5611-15	1/10W 560 ohm	R333	032-0140-50	1/10W 10k ohm F	R455	119-4731-15	1/10W 47k ohm
R195	119-1001-15	1/10W 10 ohm				R456	119-1021-15	1/10W 1k ohm
R196	119-1001-15	1/10W 10 ohm		119-1041-15	1/10W 100k ohm (for PN3080MB)	R457	119-4731-15	1/10W 47k ohm
R197	119-1001-15	1/10W 10 ohm				R459	119-4731-15	1/10W 47k ohm
R198	119-1001-15	1/10W 10 ohm	R334	032-0140-50	1/10W 10k ohm F	R460	119-4731-15	1/10W 47k ohm
R199	119-1001-15	1/10W 10 ohm	R337	119-1031-15	1/10W 10k ohm	R461	119-0000-05	1/10W 0 ohm JW
R210	119-3011-15	1/10W 300 ohm (for PN3080MA)	R338	119-1031-15	1/10W 10k ohm	R462	119-4731-15	1/10W 47k ohm
R211	119-3011-15	1/10W 300 ohm (for PN3080MA)	R339	119-1011-15	1/10W 100 ohm	R464	119-4731-15	1/10W 47k ohm
R216	119-1021-15	1/10W 1k ohm (for PN3080MA)	R340	119-1011-15	1/10W 100 ohm	R468	119-4791-15	1/10W 4.7 ohm
R219	119-5621-15	1/10W 5.6k ohm (for PN3080MA)	R341	119-0000-05	1/10W 0 ohm JW	R469	119-1011-15	1/10W 100 ohm
R220	119-5621-15	1/10W 5.6k ohm (for PN3080MA)	R342	119-0000-05	1/10W 0 ohm JW	R472	119-1011-15	1/10W 100 ohm
R222	119-3011-15	1/10W 300 ohm	R347	119-1031-15	1/10W 10k ohm	R474	119-4731-15	1/10W 47k ohm
R223	119-5631-15	1/10W 56k ohm (for PN3080MA)	R348	119-0000-05	1/10W 0 ohm JW	R475	119-1011-15	1/10W 100 ohm
R224	119-5631-15	1/10W 56k ohm (for PN3080MA)	R349	119-4731-15	1/10W 47k ohm	R476	119-1011-15	1/10W 100 ohm
R230	119-1031-15	1/10W 10k ohm (for PN3080MA)	R350	119-0000-05	1/10W 0 ohm JW	R477	119-4721-15	1/10W 4.7k ohm
R231	119-1031-15	1/10W 10k ohm (for PN3080MA)	R351	119-1021-15	1/10W 1k ohm	R478	119-4721-15	1/10W 4.7k ohm
R232	032-0140-89	1/10W 47k ohm F	R352	119-1021-15	1/10W 1k ohm	R481	119-2231-15	1/10W 22k ohm
R233	032-0140-89	1/10W 47k ohm F	R353	119-1021-15	1/10W 1k ohm	R482	119-4731-15	1/10W 47k ohm (for PN3080MB)
R234	119-5631-15	1/10W 56k ohm (for PN3080MA)	R354	119-1021-15	1/10W 1k ohm	R484	119-4731-15	1/10W 47k ohm
R235	119-1031-15	1/10W 10k ohm (for PN3080MA)	R356	119-1001-15	1/10W 10 ohm	R485	119-4731-15	1/10W 47k ohm
R236	119-2231-15	1/10W 22k ohm (for PN3080MA)	R357	032-0140-51	1/10W 15k ohm F	R486	119-1041-15	1/10W 100k ohm
			R358	032-0140-51	1/10W 15k ohm F	R487	119-1041-15	1/10W 100k ohm
			R360	032-0140-51	1/10W 15k ohm F	R488	119-4731-15	1/10W 47k ohm
			R361	032-0140-51	1/10W 15k ohm F	R489	119-1021-15	1/10W 1k ohm
			R362	032-0140-50	1/10W 10k ohm F	R490	119-1021-15	1/10W 1k ohm
			R363	032-0140-50	1/10W 10k ohm F	R494	119-1041-15	1/10W 100k ohm
			R364	032-0140-50	1/10W 10k ohm F	R495	119-1041-15	1/10W 100k ohm
						R502	119-1031-15	1/10W 10k ohm
						R503	119-1031-15	1/10W 10k ohm
						R504	119-1031-15	1/10W 10k ohm
						R505	119-1031-15	1/10W 10k ohm
						R507	119-1031-15	1/10W 10k ohm

REF No.	PART No.	DESCRIPTION	REF No.	PART No.	DESCRIPTION	REF No.	PART No.	DESCRIPTION
R508	119-1031-15	1/10W 10k ohm	R537	032-0140-51	1/10W 15k ohm F	R575	116-1531-15	1/4W 15k ohm
R509	119-1031-15	1/10W 10k ohm	R545	119-4731-15	1/10W 47k ohm	R579	119-1031-15	1/10W 10k ohm
R510	119-1031-15	1/10W 10k ohm	R546	116-4721-15	1/4W 4.7k ohm	R580	119-5611-15	1/10W 560 ohm
R511	119-1031-15	1/10W 10k ohm	R547	119-4721-15	1/10W 4.7k ohm	R581	116-1201-15	1/4W 12 ohm
R512	119-1031-15	1/10W 10k ohm	R548	119-4721-15	1/10W 4.7k ohm	R582	116-1201-15	1/4W 12 ohm
R514	119-1051-15	1/10W 1M ohm	R549	119-3331-15	1/10W 33k ohm	R587	119-1841-15	1/10W 180k ohm
R515	119-1051-15	1/10W 1M ohm	R555	116-3911-15	1/4W 390 ohm	R588	119-3341-15	1/10W 330k ohm
R516	119-1051-15	1/10W 1M ohm	R556	119-1521-15	1/10W 1.5k ohm	R589	116-1091-15	1/4W 1 ohm
R517	119-1051-15	1/10W 1M ohm	R557	116-1221-15	1/4W 1.2k ohm	R590	119-0000-05	1/10W 0 ohm JW
R518	119-1031-15	1/10W 10k ohm	R558	119-1031-15	1/10W 10k ohm	R591	119-0000-05	1/10W 0 ohm JW
R519	119-1031-15	1/10W 10k ohm	R559	116-1221-15	1/4W 1.2k ohm	R592	119-1021-15	1/10W 1k ohm
R520	119-1031-15	1/10W 10k ohm	R560	119-1031-15	1/10W 10k ohm	R593	119-1021-15	1/10W 1k ohm
R521	119-1031-15	1/10W 10k ohm	R561	116-1221-15	1/4W 1.2k ohm	SUP102	060-0122-91	DSP-141N-S00B
R522	119-1031-15	1/10W 10k ohm	R562	116-1221-15	1/4W 1.2k ohm	TC401	004-1580-10	30pF GRN
R523	119-1031-15	1/10W 10k ohm	R563	119-1031-15	1/10W 10k ohm	TH101	002-0229-00	PTH8L05BAIR8M1B
R524	119-4731-15	1/10W 47k ohm	R564	119-4721-15	1/10W 4.7k ohm	TH102	002-0229-00	PTH8L05BAIR8M1B
R527	032-0148-63	1/10W 130k ohm D	R565	119-1521-15	1/10W 1.5k ohm	TH501	002-0229-00	PTH8L05BAIR8M1B
R528	032-0148-64	1/10W 390k ohm D	R566	119-1031-15	1/10W 10k ohm	TM101	073-0762-90	TERMINAL
R530	116-1221-15	1/4W 1.2k ohm	R567	032-0148-50	1/10W 100k ohm	TM502	073-0762-90	TERMINAL
R532	119-1031-15	1/10W 10k ohm	R568	032-0148-54	1/10W 180k ohm	X301	061-3537-90	41.6MHz
R533	119-1841-15	1/10W 180k ohm	R570	119-0000-05	1/10W 0 ohm JW	X401	061-3567-90	8.000MHz AT-41CD2
R534	119-1031-15	1/10W 10k ohm	R571	119-0000-05	1/10W 0 ohm JW	PWB	039-3350-00	PWB(WITHOUT COMPONENTS)
R535	116-6811-15	1/4W 680 ohm	R572	032-0208-51	1/4W 15k ohm			
R536	119-1031-15	1/10W 10k ohm	R573	119-2221-15	1/10W 2.2k ohm			

Switch PWB(B2) section

REF No.	PART No.	DESCRIPTION	REF No.	PART No.	DESCRIPTION	REF No.	PART No.	DESCRIPTION
C601	168-4722-55	4700pF K	D627	001-9210-50	AVR-M1608C270MTAAD	R609	116-1821-15	1/4W 1.8k ohm
D601	001-7093-91	RFY1112H-16-TR YEL	D628	001-7093-91	RFY1112H-16-TR YEL	R611	116-7511-15	1/4W 750 ohm
D602	001-7093-91	RFY1112H-16-TR YEL	D629	001-7093-91	RFY1112H-16-TR YEL	R614	116-4721-15	1/4W 4.7k ohm
D603	001-7093-91	RFY1112H-16-TR YEL	D630	001-7093-91	RFY1112H-16-TR YEL	R616	116-6821-15	1/4W 6.8k ohm
D604	001-7093-91	RFY1112H-16-TR YEL	D631	001-7093-91	RFY1112H-16-TR YEL	R617	116-6821-15	1/4W 6.8k ohm
D605	001-7093-91	RFY1112H-16-TR YEL	D633	001-7093-91	RFY1112H-16-TR YEL	R618	116-5621-15	1/4W 5.6k ohm
D606	001-7093-91	RFY1112H-16-TR YEL	D634	001-7093-91	RFY1112H-16-TR YEL	R619	116-2721-15	1/4W 2.7k ohm
D607	001-7093-91	RFY1112H-16-TR YEL	D635	001-7093-91	RFY1112H-16-TR YEL	R620	116-2221-15	1/4W 2.2k ohm
D608	001-7093-91	RFY1112H-16-TR YEL	D636	001-7093-91	RFY1112H-16-TR YEL	R621	116-2421-15	1/4W 2.4k ohm
D609	001-7093-91	RFY1112H-16-TR YEL	D638	001-7093-91	RFY1112H-16-TR YEL	R622	116-2721-15	1/4W 2.7k ohm
D610	001-7093-91	RFY1112H-16-TR YEL	D639	001-7093-91	RFY1112H-16-TR YEL	R623	116-2421-15	1/4W 2.4k ohm
D611	001-7093-91	RFY1112H-16-TR YEL	D640	001-7093-91	RFY1112H-16-TR YEL	R624	116-4721-15	1/4W 4.7k ohm
D612	001-7093-91	RFY1112H-16-TR YEL	D641	001-7093-91	RFY1112H-16-TR YEL	R625	116-4721-15	1/4W 4.7k ohm
D613	001-7093-91	RFY1112H-16-TR YEL	D644	001-7093-91	RFY1112H-16-TR YEL	S601	013-6206-50	SKPMANE010
D614	001-7093-91	RFY1112H-16-TR YEL	D645	001-7093-91	RFY1112H-16-TR YEL	S603	013-6206-50	SKPMANE010
D615	001-7093-91	RFY1112H-16-TR YEL	D646	001-0580-90	1SS352	S604	013-6206-50	SKPMANE010
D616	001-7093-91	RFY1112H-16-TR YEL	D647	001-0580-90	1SS352	S605	013-6204-50	SKPMASE010
D617	001-7093-91	RFY1112H-16-TR YEL	D648	001-0580-90	1SS352	S606	013-6204-50	SKPMASE010
D618	001-7093-91	RFY1112H-16-TR YEL	D649	001-0580-90	1SS352	S607	013-6206-50	SKPMANE010
D624	001-4320-50	EDZC6.8B	D650	001-0580-90	1SS352	S608	013-6206-50	SKPMANE010
D625	001-9210-50	AVR-M1608C270MTAAD	D651	001-0580-90	1SS352	S609	013-6206-50	SKPMANE010
D626	001-9210-50	AVR-M1608C270MTAAD	D652	001-0580-90	1SS352	S610	013-6206-50	SKPMANE010
			D653	001-0580-90	1SS352	S611	013-6206-50	SKPMANE010
			D654	001-0580-90	1SS352	S612	013-6206-50	SKPMANE010
			J601	074-3013-72	22P	S613	013-6206-50	SKPMANE010
			J602	075-0306-00	JACK	S614	013-6206-50	SKPMANE010
			P601	076-0478-55	6P	S615	013-6206-50	SKPMANE010
						S616	013-6206-50	SKPMANE010
						S617	013-6206-50	SKPMANE010
						S618	013-6204-50	SKPMASE010
						S619	013-6204-50	SKPMASE010
						S620	013-6206-50	SKPMANE010
						S621	013-6206-50	SKPMANE010
						S622	016-7005-00	ROTARY SW EC28B1550407
						S623	013-6206-50	SKPMANE010
						PWB	039-3351-00	PWB(WITHOUT COMPONENTS)

EXPLODED VIEW/PARTS LIST



NO.	PART NO.	DESCRIPTION	Q'TY	NO.	PART NO.	DESCRIPTION	Q'TY
1	-----	SENSOR PWB	1	40	621-1751-20	POWER GEAR D	1
2	-----	CD PWB	1	41	621-1752-20	DISC STOPPER	1
3	SMA-182-100	SPINDLE MOTOR-ASSY	1	42	621-1753-20	CLAMPER RING	1
4	SMA-183-100	SLED MOTOR-ASSY	1	43	621-1754-20	GEAR BASE	1
5	345-5476-20	CUSHION RUBBER	1	44	622-1571-21	ROLLER SHAFT	1
6	620-1023-23	CLAMPER PLATE	1	45	624-0018-01	LEAD SCREW	1
7	620-1026-21	SPRING PLATE	1	46	629-0086-20	DAMPER F	2
8	620-1596-23	CLAMPER LINK	1	47	629-0087-20	DAMPER R	1
9	620-1862-20	UPPER CHASSIS	1	48	716-1507-01	SCREW(M2x3)	3
10	620-1752-20	SENSOR ARM	1	49	716-1670-01	SCREW(M2x4)	4
11	620-1753-20	ID-LOCK PLATE	1	50	716-1733-01	SCREW(M1.7x2.3)	2
12	620-1868-20	LOWER CHASSIS	1	51	716-3469-01	SCREW(1.7x4)	2
13	621-0608-21	SECOND GEAR	1	52	716-3473-01	SCREW(M2x3)	1
14	621-0609-20	BASE GEAR	1	53	716-3551-00	SCREW(M1.4x2.5)	2
15	621-0610-20	IDLE GEAR A	1	54	750-7865-20	SHIFT SPRING	1
16	621-0611-20	IDLE GEAR B	1	55	750-7866-20	RACK SPRING	1
17	621-0612-21	ROLLER GEAR A	1	56	750-7867-20	CLAMPER SPRING	1
18	621-0620-20	THREAD GEAR A	1	57	750-7868-20	ID-LOCK SPRING	1
19	621-0621-20	THREAD GEAR B	1	58	750-7869-20	SENSOR SPRING	1
20	621-0623-23	LS-HOLDER	1	59	750-7870-20	DR-SPRING F	2
21	621-0624-22	GUIDE RAIL	1	60	750-7871-20	DR-SPRING RA	1
22	621-0711-21	LOADING ROLLER	2	61	750-7872-20	DR-SPRING RB	1
23	621-0718-21	ROLLER GUIDE	1	62	750-7873-20	DR-SPRING C	1
24	621-0719-20	ROLLER GEAR B	1	63	750-6797-20	ROLLER SPRING L	1
25	621-0720-20	ROLLER GEAR C	1	64	750-6798-20	ROLLER SPRING R	1
26	621-0721-20	ROLLER GEAR D	1	65	714-2003-8B	SCREW(M2x3)	2
27	621-0728-20	STOPPER LINK	1	66	780-2025-00	SCREW(M2x2.5)	3
28	621-1719-20	IDLE CASE	1	67	781-1730-00	SCREW(M1.7x3)	1
29	621-1726-20	ROLLER SLEEVE	2	68	803-4906-60	VINYL-COAT-WIRE(ORG)	1
30	621-1729-20	SH-BASE	1	69	816-2542-01	FLAT WIRE	1
31	621-1742-20	UPPER GUIDE	1	70	816-2590-00	VINYL-COAT-WIRE(GRN)	1
32	621-1743-20	SHIFT LEVER	1	71	816-2591-00	VINYL-COAT-WIRE(YEL)	1
33	621-1744-20	RACK	1	72	816-2592-00	VINYL-COAT-WIRE(BLUE)	1
34	621-1745-20	LOCK ARM L	1	73	816-2593-00	VINYL-COAT-WIRE(PUR)	1
35	621-1746-20	LOCK ARM R	1	74	966-1722-20	SH-RACK-ASSY	1
36	621-1747-20	GEAR COVER	1	75	620-1866-20	DRIVE-PLATE	1
37	621-1748-20	POWER GEAR A	1	76	969-0071-30	PICKUP-ASSY	1
38	621-1749-20	POWER GEAR B	1	77	622-1570-21	DAMPER PIN	3
39	621-1750-20	POWER GEAR C	1				

ELECTRICAL PARTS LIST

CD PWB(BM1) section

REF No.	PART No.	DESCRIPTION	REF No.	PART No.	DESCRIPTION	REF No.	PART No.	DESCRIPTION
C2	178-1052-78	1uF	C60	168-1042-78	16V 0.1uF	R19	119-0000-05	1/10W 0 ohm JW
C3	042-0627-90	16V 100uF	C63	168-1042-78	16V 0.1uF	R20	119-0000-05	1/10 0ohm JW
C4	168-1042-78	16V 0.1uF	C68	168-1042-78	16V 0.1uF	R22	119-2231-15	1/10W 22k ohm
C6	178-1052-78	1uF	C69	042-1710-90	6.3V 100uF	R23	119-0000-05	1/10 0ohm JW
C7	042-0560-85	6.3V 100uF	C74	042-1709-90	6.3V 47uF	R25	119-1041-15	1/10W 100k ohm
C8	178-1052-78	1uF	C75	168-1042-78	16V 0.1uF	R26	119-0000-05	1/10W 0 ohm JW
C9	166-4711-50	470pF CH	C77	168-1042-78	16V 0.1uF	R27	119-4731-15	1/10W 47k ohm
C10	168-4732-78	0.047uF K	C78	168-1022-55	1000pF K	R29	119-5621-15	1/10W 5.6k ohm
C11	166-4711-50	470pF CH	C79	168-1022-55	1000pF K	R30	119-2231-15	1/10W 22k ohm
C12	168-4732-78	0.047uF K	C80	042-0423-20	10V-10uF	R31	119-4731-15	1/10W 47k ohm
C14	168-1042-78	16V 0.1uF	D1	001-1305-90	DAN217UT106	R32	119-3341-15	1/10W 330k ohm
C15	166-1007-50	10pF CH	IC1	051-6733-30	TC94A73MFG-201	R33	119-1041-15	1/10W 100k ohm
C16	166-1007-50	10pF CH	IC2	051-6079-80	BA5830FM-E2	R34	119-1041-15	1/10W 100k ohm
C17	168-1042-78	16V 0.1uF	IC3	051-3395-90	NJU7780U1-15-TES	R35	119-1041-15	1/10W 100k ohm
C18	168-2222-55	2200pF K	J1	074-1138-65	SOCKET (15P)	R36	119-1011-15	1/10W 100 ohm
C19	168-1042-78	16V 0.1uF	J2	074-1138-60	SOCKET (10P)	R38	119-1041-15	1/10W 100k ohm
C20	168-1042-78	16V 0.1uF	J3	074-1205-88	SOCKET (38P)	R39	119-0000-05	1/10W 0 ohm JW
C22	168-6822-55	6800pF K	L1	119-0000-05	1/10 0ohm JW	R41	119-4721-15	1/10W 4.7k ohm
C24	168-3332-78	0.033uF K	L2	119-0000-05	1/10 0ohm JW	R42	119-4721-15	1/10W 4.7k ohm
C25	168-3332-78	0.033uF K	L3	119-0000-05	1/10 0ohm JW	R45	119-1031-15	1/10W 1k ohm
C26	043-0570-90	16V 2.2uF K	L4	010-3104-50	30ohm/100MHZ	R46	119-4731-15	1/10W 47k ohm
C28	168-1042-78	16V 0.1uF	L5	010-3406-26	0.01uH	R47	119-4731-15	1/10W 47k ohm
C29	168-1042-78	16V 0.1uF	Q1	131-1188-50	2SB1188 Q,R	R48	119-1031-15	1/10W 10k ohm
C30	168-1042-78	16V 0.1uF	Q2	198-3018-00	2SK3018	R49	119-1031-15	1/10W 10k ohm
C31	168-1042-78	16V 0.1uF	Q3	198-3018-00	2SK3018	R50	119-2211-15	1/10W 220 ohm
C33	168-1042-78	16V 0.1uF	Q4	192-4155-51	2SC4155A S,T	R51	119-1031-15	1/10W 10k ohm
C34	168-1042-78	16V 0.1uF	Q5	198-3018-00	2SK3018	R52	119-1031-15	1/10W 10k ohm
C35	168-5622-55	5600pF K	Q6	192-4155-51	2SC4155A S,T	R53	119-2211-15	1/10W 220 ohm
C36	168-1042-78	16V 0.1uF	Q7	198-3018-00	2SK3018	R54	119-3331-15	1/10W 33k ohm
C37	168-5622-55	5600pF K	Q8	198-3018-00	2SK3018	R55	119-4721-15	1/10W 4.7k ohm
C38	166-6801-50	68pF	R1	119-2211-15	1/10W 220 ohm	R56	119-3331-15	1/10W 33k ohm
C39	168-1042-78	16V 0.1uF	R2	117-6811-15	1/8W 680 ohm	R57	119-4721-15	1/10W 4.7k ohm
C40	168-1532-55	0.015uF K	R3	117-0000-05	1/8W 0 ohm JW	R58	119-3331-15	1/10W 33k ohm
C41	168-1042-78	16V 0.1uF	R4	119-1001-15	1/10W 10 ohm	R59	119-4721-15	1/10W 4.7k ohm
C42	168-1032-55	0.01uF K	R5	119-2731-15	1/10W 27k ohm	R60	119-3331-15	1/10W 33k ohm
C43	168-1042-78	16V 0.1uF	R6	119-2731-15	1/10W 27k ohm	R61	119-4721-15	1/10W 4.7k ohm
C44	168-1042-78	16V 0.1uF	R7	119-2221-15	1/10W 2.2k ohm	R62	119-3331-15	1/10W 33k ohm
C46	168-1522-55	1500pF K	R8	119-2731-15	1/10W 27k ohm	R63	119-4721-15	1/10W 4.7k ohm
C47	168-3322-55	3300pF K	R9	119-2731-15	1/10W 27k ohm	R64	119-1051-15	1/10W 1M ohm
C48	168-1032-55	0.01uF K	R10	119-1051-15	1/10W 1M ohm	R65	119-4701-15	1/10W 47 ohm
C49	168-1042-78	16V 0.1uF	R11	119-2211-15	1/10W 220 ohm	R66	119-1051-15	1/10W 1M ohm
C54	168-1532-55	0.015uF K	R13	119-8231-15	1/10W 82k ohm	R67	119-0000-05	1/10W 0 ohm JW
C55	168-1042-78	16V 0.1uF	R14	119-1531-15	1/10W 15k ohm	TM1	073-0768-90	TERMINAL
C56	168-1042-78	16V 0.1uF	R15	119-8231-15	1/10W 82k ohm	X1	061-3534-90	16.92MHz
C58	166-6097-50	6pF CH	R16	119-4731-15	1/10W 47k ohm	PWB	039-3205-01	PWB(WITHOUT COMPONENTS)
C59	166-4701-50	47pF CH	R17	119-0000-05	1/10 0ohm JW			

SENSOR PWB(BM2) section

REF No.	PART No.	DESCRIPTION	REF No.	PART No.	DESCRIPTION	REF No.	PART No.	DESCRIPTION
D1	001-7058-90	AN1105W-RR	Q1	060-4015-91	PS1192HB-32-TR	S2	013-7413-50	LIMIT
D2	001-7058-90	AN1105W-RR	Q2	060-4015-91	PS1192HB-32-TR	PWB	039-1944-21	PWB(WITHOUT COMPONENTS)
J1	074-1138-60	10P	S1	013-7414-50	CHUCKING			

BLOCK DIAGRAM

