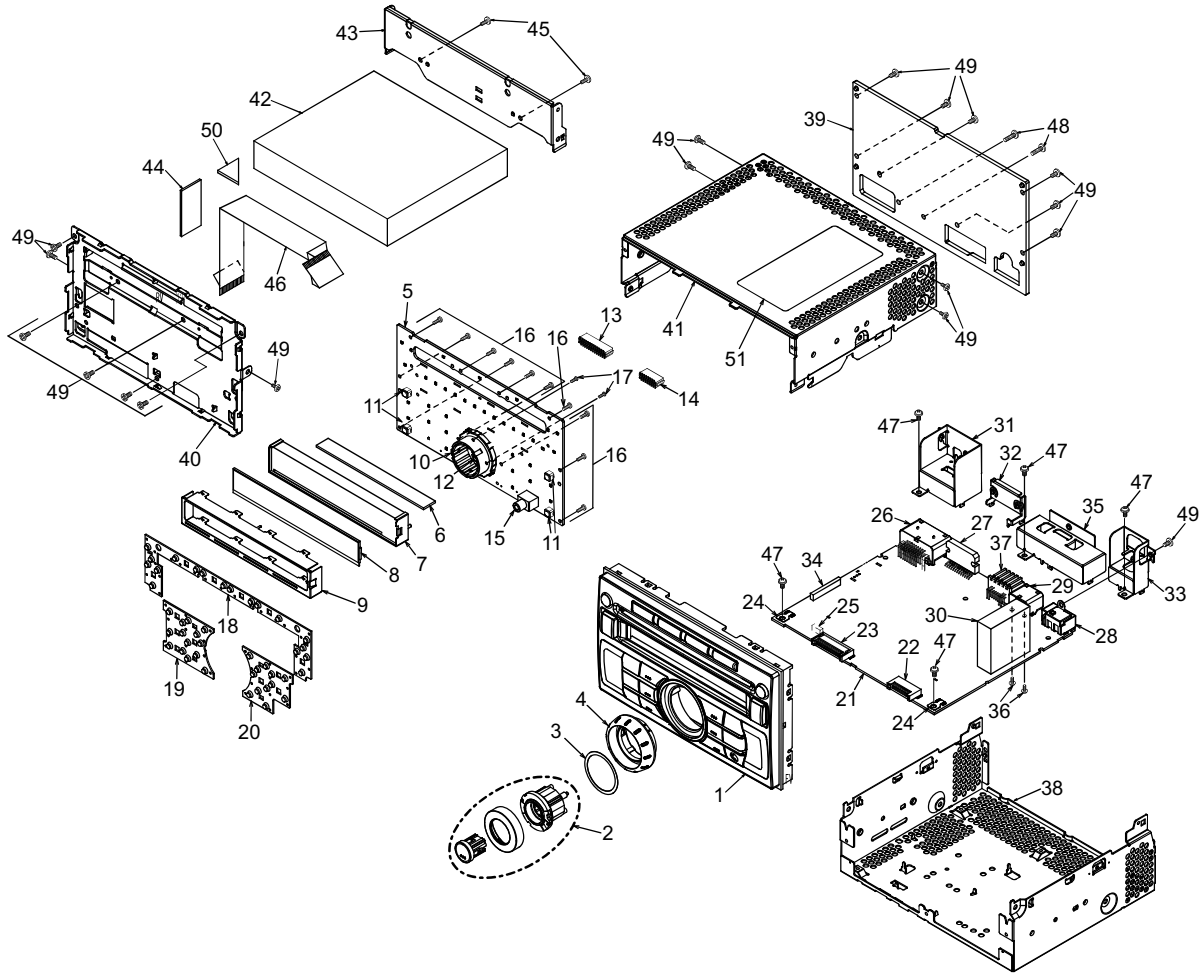


EXPLODED VIEW/PARTS LIST

Main section



Note) Some parts depend on each model. The model name is specified in the description.
L-A : PP-3093L-A , M-A : PP-3093M-A.

NO.	PART NO.	DESCRIPTION	Q'TY	NO.	PART NO.	DESCRIPTION	Q'TY
1	940-8441-00 940-8441-30	ES-ASSY (L-A) ES-ASSY (M-A)	1	20	345-6309-00	RUBBER SW (RH)	1
2	947-0591-00	KNOB ASSY	1	21	-----	Main PWB	1
3	347-7959-00	SHADE	1	22	076-3011-66	PLUG (16P)	1
4	380-5655-00	KNOB	1	23	076-3011-76	PLUG (26P)	1
5	-----	Switch PWB	1	24	073-0762-90	TERMINAL	2
6	345-6311-01	RUBBER CONNECT	1	25	076-6000-59	PLUG (9P)	1
7	335-8365-00	LCD-HOLDER	1	26	074-4009-20	SOCKET (20P)	1
8	379-1419-50	INDICATOR (LCD)	1	27	051-2064-00	IC (TB29264Q))	1
9	331-4675-01	LCD COVER	1	28	092-2210-01	ANT-RECEPT	1
10	016-7004-00	ROTARY SWITCH	1	29	074-1302-12	SOCKET (12P)	1
11	013-6202-52	TACT SWITCH	4	30	880-2091M	AM/FM TUNER	1
12	013-6201-53	SWITCH	1	31	331-4679-00	SOCKET HOLDER	1
13	074-3033-26	SOCKET (26P)	1	32	331-4678-00	IC-HOLDER	1
14	074-3033-16	SOCKET (16P)	1	33	331-4676-00	ANT-HOLDER	1
15	075-0395-01	JACK	1	34	074-2503-79	SOCKET (29P)	1
16	716-0778-52	WAVE SCREW (2x6)	10	35	331-4677-00	SHIELD CASE	1
17	716-0872-51	SCREW (M1.7x5)	2	36	778-3006-00	SPECIAL SCREW (M3x6)	2
18	345-6310-00	RUBBER SW (UP)	1	37	074-1013-00	SOCKET (12P) (M-A ONLY)	1
19	345-6308-00	RUBBER SW (LH)	1	38	311-1969-00	LOWER CASE	1

NO.	PART NO.	DESCRIPTION	Q'TY
39	313-2052-70 313-2052-50	HEAT SINK (L-A) HEAT SINK (M-A)	1
40	309-1885-00	ES-PLATE (1CD)	1
41	310-1889-00	UPPER CASE	1
42	929-5004-83	CD-MECH-MODULE	1
43	331-4123-00	CD BRKT	1
44	347-8636-00	WIRE SUPPORT	1
45	714-2603-89	MACHINE SCREW (M2.6x3)	2

NO.	PART NO.	DESCRIPTION	Q'TY
46	816-4051-50	FLAT WIRE	1
47	716-0878-50	SCREW (M2.6x5)	5
48	735-2614-1B	D-SEMS SCREW	2
49	714-2606-8B	D-SEMS SCREW (M2.6x6)	18
50	345-5802-00	CUSHION RUBBER	1
51	276-0533-01 276-0533-15	SETPLATE (L-A) SETPLATE (M-A)	1

ELECTRICAL PARTS LIST

Main PWB(B1) section

Note) Some parts depend on each model. The model name is specified in the description.

REF No.	PART No.	DESCRIPTION	REF No.	PART No.	DESCRIPTION	REF No.	PART No.	DESCRIPTION
ANT101	092-2210-01	ANT-RECEPT	C212	043-0570-90	16V 2.2uF K	C335	163-1063-35	16V 10uF
C101	168-2222-55	2200pF K			(PP-3093M-A)	C336	168-1052-78	16V 1uF K
C104	119-0000-05	1/10W 0 ohm JW (PP-3093L-A)	C214	168-1022-55	1000pF K (PP-3093M-A)	C337	168-3332-78	0.033uF K
C104	166-6801-50	68pF CH (PP-3093M-A)	C217	168-1022-55	1000pF K (PP-3093M-A)	C338	168-1022-55	1000pF K
C108	166-1511-50	150pF CH (PP-3093L-A)	C218	168-1022-55	1000pF K (PP-3093M-A)	C340	168-1022-55	1000pF K
C108	119-0000-05	1/10W 0 ohm JW (PP-3093M-A)	C231	168-3342-58	0.33uF K	C341	166-1011-50	100pF CH
C113	166-2201-50	22pF CH	C232	043-0554-90	25V 10uF	C342	168-1022-55	1000pF K
C117	168-1042-78	16V 0.1uF K	C234	168-1052-78	16V 1uF K	C343	168-4712-55	470pF K
C118	168-1022-55	1000pF K	C237	168-2242-58	0.22uF K	C344	168-1042-78	16V 0.1uF K
C119	168-3342-58	0.33uF K	C238	163-1063-35	16V 10uF	C345	168-1022-55	1000pF K
C120	163-4763-15	6.3V 47uF	C261	166-1011-50	100pF CH	C347	168-3322-55	3300pF K
C121	163-1073-35	16V 100uF	C262	166-1011-50	100pF CH	C348	168-3322-55	3300pF K
C122	168-1052-78	16V 1uF K	C263	166-1011-50	100pF CH	C349	168-3322-55	3300pF K
C123	168-1052-78	16V 1uF K	C264	166-1011-50	100pF CH	C350	168-3322-55	3300pF K
C124	168-2222-55	2200pF K	C265	166-1011-50	100pF CH	C351	168-3322-55	3300pF K
C125	168-5612-55	560pF Z	C266	166-1011-50	100pF CH	C352	168-3322-55	3300pF K
C126	168-1052-78	16V 1uF K	C267	166-1011-50	100pF CH	C354	043-0554-90	25V 10uF
C127	168-1022-55	1000pF K	C268	166-1011-50	100pF CH	C355	042-1736-90	16V 470uF M
C128	168-2242-58	0.22uF K	C301	163-4753-65	50V 4.7uF	C356	168-4722-55	4700pF K
C129	168-1022-55	1000pF K	C302	168-1042-78	16V 0.1uF K	C357	163-1073-15	6.3V 100uF
C130	168-3922-55	3900pF K	C303	166-1811-50	180pF CH	C358	168-2222-55	2200pF K
C131	168-3922-55	3900pF K	C304	168-1042-78	16V 0.1uF K	C359	043-0570-90	16V 2.2uF K
C132	168-1022-55	1000pF K	C305	168-1042-78	16V 0.1uF K	C360	043-0570-90	16V 2.2uF K
C133	168-1042-78	16V 0.1uF K	C306	166-8097-50	8pF C CH	C361	166-2201-50	22pF CH
C134	168-1042-78	16V 0.1uF K	C307	166-8097-50	8pF C CH	C362	168-2222-55	2200pF K
C135	168-1022-55	1000pF K	C308	168-1022-55	1000pF K	C363	166-2201-50	22pF CH
C136	163-1073-35	16V 100uF	C309	163-4753-65	50V 4.7uF	C364	166-2201-50	22pF CH
C137	168-1052-78	16V 1uF K	C310	168-1042-78	16V 0.1uF K	C365	168-2222-55	2200pF K
C138	168-1052-78	16V 1uF K	C311	163-4753-65	50V 4.7uF	C366	166-2201-50	22pF CH
C139	168-1042-78	16V 0.1uF K	C312	168-1042-78	16V 0.1uF K	C367	168-2222-55	2200pF K
C140	166-2201-50	22pF CH	C313	168-1022-55	1000pF K	C368	166-2201-50	22pF CH
C141	166-2201-50	22pF CH	C314	168-1022-55	1000pF K	C369	166-2201-50	22pF CH
C142	166-2201-50	22pF CH	C315	166-1011-50	100pF CH	C370	043-0570-90	16V 2.2uF K
C143	166-2201-50	22pF CH	C316	168-1042-78	16V 0.1uF K	C371	043-0570-90	16V 2.2uF K
C144	168-1052-78	16V 1uF K	C317	168-5622-55	5600pF K	C372	043-0570-90	16V 2.2uF K
C152	163-1063-35	16V 10uF	C318	168-5622-55	5600pF K	C373	043-0570-90	16V 2.2uF K
C154	163-1063-35	16V 10uF	C319	166-1011-50	100pF CH	C401	168-1042-78	16V 0.1uF K
C156	168-1022-55	1000pF K	C320	166-1011-50	100pF CH	C402	168-1042-78	16V 0.1uF K
C157	168-1022-55	1000pF K	C322	168-1022-55	1000pF K	C407	166-1801-50	18pF CH (PP-3093L-A)
C201	163-1073-35	16V 100uF	C323	168-1022-55	1000pF K	C408	166-1501-50	15pF CH (PP-3093L-A)
C202	168-2222-55	2200pF K	C324	163-2273-05	4V 220uF	C408	166-1801-50	18pF CH (PP-3093M-A)
C203	168-1042-78	16V 0.1uF K	C325	168-2222-55	2200pF K	C409	168-1042-78	16V 0.1uF K
C204	163-3363-25	10V 33uF	C326	166-4711-50	470pF CH	C410	163-4763-15	6.3V 47uF
C209	043-0570-90	16V 2.2uF K (PP-3093M-A)	C327	163-2263-35	16V 22uF	C411	168-1042-78	16V 0.1uF K
C210	043-0570-90	16V 2.2uF K (PP-3093M-A)	C328	163-4763-15	6.3V 47uF	C412	168-1032-55	0.01uF K
C211	043-0570-90	16V 2.2uF K (PP-3093M-A)	C330	166-1011-50	100pF CH	C414	168-1022-55	1000pF K
			C331	168-1042-78	16V 0.1uF K	C415	168-1022-55	1000pF K
			C332	166-1011-50	100pF CH	C416	168-1022-55	1000pF K
			C333	168-1022-55	1000pF K	C417	168-1022-55	1000pF K
			C334	168-1022-55	1000pF K	C418	168-1022-55	1000pF K

Note) Some parts depend on each model. The model name is specified in the description.

REF No.	PART No.	DESCRIPTION	REF No.	PART No.	DESCRIPTION	REF No.	PART No.	DESCRIPTION
C501	168-1042-78	16V 0.1uF K	CCT404	050-0145-52	1/16W 1k ohm x4	IC506	051-2064-00	TB2926HQ
C502	168-1042-78	16V 0.1uF K	D104	001-0580-90	1SS352	IC507	051-3034-90	NJM4558V
C503	168-1042-78	16V 0.1uF K	D106	001-0529-48	MA8091-H	IC508	051-5441-08	BD4828G-TR
C504	168-1042-78	16V 0.1uF K	D107	001-0580-90	1SS352	J101	074-1302-12	12P
C505	168-3342-58	0.33uF K	D108	001-9210-50	AVR-M1608C270MT	J203	074-2503-79	SOCKET
C506	166-5611-50	560pF CH			AAD	J502	074-4009-20	20P
C507	166-5611-50	560pF CH	D109	001-4320-50	EDZC6.8B	L101	010-3104-54	600 ohm/100MHz
C508	043-0554-90	25V 10uF	D110	001-4320-50	EDZC6.8B	L104	010-2198-50	0.15uH
C509	166-5611-50	560pF CH	D111	001-4320-50	EDZC6.8B			(PP-3093M-A)
C510	166-5611-50	560pF CH	D112	001-4320-50	EDZC6.8B	L105	010-2003-04	30uH
C511	166-2201-50	22pF CH	D113	001-4320-50	EDZC6.8B	L107	010-3104-54	600 ohm/100MHz
C512	166-2201-50	22pF CH	D204	001-4305-39	UDZSTE-17-36B	L301	010-3104-54	600 ohm/100MHz
C513	166-2201-50	22pF CH			(PP-3093M-A)	L302	010-3104-54	600 ohm/100MHz
C514	166-2201-50	22pF CH	D206	001-0580-90	1SS352	L303	010-3104-54	600 ohm/100MHz
C515	168-1052-78	16V 1uF K			(PP-3093M-A)	L304	010-3104-54	600 ohm/100MHz
C516	163-1073-35	16V 100uF	D207	001-0580-90	1SS352	L305	010-3104-54	600 ohm/100MHz
C518	166-5611-50	560pF CH			(PP-3093M-A)	L306	010-3104-54	600 ohm/100MHz
C519	166-5611-50	560pF CH	D210	001-4313-53	HZU9B1L TRF-E	L307	010-3104-54	600 ohm/100MHz
C520	168-3342-58	0.33uF K	D215	001-9210-50	AVR-M1608C270MT	L308	010-3104-54	600 ohm/100MHz
C521	166-5611-50	560pF CH			AAD (PP3093M-A)	L309	010-3104-54	600 ohm/100MHz
C522	166-5611-50	560pF CH	D216	001-9210-50	AVR-M1608C270MT	L310	010-3104-54	600 ohm/100MHz
C523	168-1042-78	16V 0.1uF K			AAD (PP-3093M-A)	L311	010-3104-54	600 ohm/100MHz
C524	168-2242-58	0.22uF K	D217	001-9210-50	AVR-M1608C270MT	L312	010-3104-54	600 ohm/100MHz
C525	043-0552-90	6.3V 47uF M			AAD (PP-3093M-A)	L313	010-3104-54	600 ohm/100MHz
C526	043-0566-90	50V 2.2uF K	D218	001-9210-50	AVR-M1608C270MT	L402	010-3406-54	2.2uH J
C527	043-0604-90	25V 10uF B			AAD (PP-3093M-A)	L501	010-3104-54	600 ohm/100MHz
C529	168-4742-78	0.47uF K	D219	001-9210-50	AVR-M1608C270MT	L502	010-3414-92	2.2UH
C530	168-1042-38	50V 0.1uF K			AAD (PP-3093M-A)	L503	010-8050-00	CHOKE
C531	163-1073-35	16V 100uF	D220	001-9210-50	AVR-M1608C270MT	L525	010-3104-53	220 ohm/100MHz
C532	168-1542-58	0.15uF K			AAD (PP-3093M-A)	P101	076-3011-66	16P
C533	168-1542-58	0.15uF K	D221	001-9210-50	AVR-M1608C270MT	P402	076-3011-76	26P
C534	168-1542-58	0.15uF K			AAD (PP-3093M-A)	P403	076-6000-59	9P
C535	168-1542-58	0.15uF K	D401	001-2630-90	1SS420-TPL3,F	Q105	198-3018-00	2SK3018
C536	168-1042-78	16V 0.1uF K	D501	001-2640-90	D1FJ4	Q106	198-3018-00	2SK3018
C537	168-1052-78	16V 1uF K	D502	001-0529-48	MA8091-H	Q107	192-5886-00	2SC5886
C540	042-1760-90	16V 10uF M	D504	001-0529-48	MA8091-H	Q108	125-2027-90	DTC143EU
C541	178-2742-78	0.27uF	D506	001-2015-00	RL253	Q109	190-2060-00	2SA2060
C542	168-1052-78	16V 1uF K	D507	001-0580-90	1SS352			(PP-3093M-A)
C543	163-4763-35	16V 47uF	D508	001-0580-90	1SS352	Q201	192-4081-00	2SC4081
C544	163-2273-25	10V 220uF	D510	001-0529-48	MA8091-H			(PP-3093M-A)
C545	168-2212-55	220pF K	D511	001-4320-50	EDZC6.8B	Q203	192-4081-00	2SC4081
C546	166-2201-50	22pF CH	D512	001-0580-90	1SS352			(PP-3093M-A)
C548	163-4763-35	16V 47uF	D513	001-4320-50	EDZC6.8B	Q204	192-4081-00	2SC4081
C549	042-1465-00	16V 3300uF	D514	001-4320-50	EDZC6.8B			(PP-3093M-A)
C550	172-1041-15	0.1uF	D515	001-0529-34	MA8062-L	Q207	125-0021-91	DTA114EUA
C551	163-4763-35	16V 47uF	D516	001-0580-90	1SS352			(PP-3093M-A)
C552	163-4763-35	16V 47uF	D517	001-0529-47	MA8091-M	Q208	125-2027-91	DTC114EUA
C554	168-6822-55	6800pF K	D520	001-2412-90	RR264M-400			(PP-3093M-A)
C555	168-6822-55	6800pF K	D521	001-2412-90	RR264M-400	Q209	125-9015-92	RN4902
C556	168-6822-55	6800pF K	D523	001-4320-50	EDZC6.8B			(PP-3093L-A)
C557	168-6822-55	6800pF K	IC101	051-6524-90	AK2301A-E1	Q214	193-1259-50	2SD1259DS R,Q
C558	168-6822-55	6800pF K	IC102	051-7255-08	SN74AHC1G66HDC	Q301	125-7007-90	Si5441BDC-TI-E3
C559	168-6822-55	6800pF K			KR	Q302	125-2027-91	DTC114EUA
C560	168-6822-55	6800pF K	IC103	051-3034-90	NJM4558V	Q403	125-2027-91	DTC114EUA
C561	168-6822-55	6800pF K	IC203	051-3518-90	NJM2846DL3-33-TE1	Q404	125-0021-91	DTA114EUA
C562	168-6822-55	6800pF K	IC205	051-3553-90	NJM2865F3-05	Q405	191-0709-00	2SB709A Q,R,S
C563	043-0574-90	25V 1.0uF	J206	074-1013-00	12P	Q406	192-2712-00	2SC2712
C564	168-1042-78	16V 0.1uF K			(PP-3093M-A)	Q407	125-2027-91	DTC114EUA
C565	163-1063-35	16V 10uF	IC301	-----	SAF7730HV/N332	Q408	198-3018-00	2SK3018
C566	168-2232-55	0.022uF K	IC302	051-3020-90	NJM4565V	Q409	125-2027-91	DTC114EUA
C568	168-1522-55	1500pF K	IC401	051-9430-90	S-24CS64A01-T8T1G	Q410	198-3018-00	2SK3018
C569	166-2201-50	22pF CH	IC402	051-9430-90	S-24CS64A01-T8T1G	Q411	125-2027-91	DTC114EUA
C570	178-2242-38	0.22uF B	IC403	-----	M30879FKBGP	Q504	125-2027-91	DTC114EUA
C571	168-1542-58	0.15uF K	IC405	051-5417-08	S-80927CNMC-B8M	Q505	191-1197-50	2SB1197K Q,R
C572	168-1542-58	0.15uF K	IC501	051-3518-90	NJM2846DL3-33-TE1	Q506	192-5886-00	2SC5886
C573	168-1542-58	0.15uF K	IC502	051-3019-90	NJM2060V	Q511	192-5810-00	2SC5810 TE12L
C574	168-1542-58	0.15uF K	IC503	051-3551-90	NJM2878F3-33-TE1	Q512	125-2027-91	DTC114EUA
C575	042-4000-90	16V 470uF	IC504	051-3396-90	NJM2386ADL3-33-TE1	Q513	191-1197-50	2SB1197K Q,R
C590	168-1522-55	1500pF K	IC505	051-3517-90	LT3481EMSE#TRP	Q514	192-4116-51	2SC4116 G,L
CCT402	050-0140-54	1/32W 1k ohm x4J			BF	Q515	191-1204-61	2SB1204 R,S,T
CCT403	050-0145-52	1/16W 1k ohm x4				Q516	125-2027-91	DTC114EUA

PP-3093L-A
PP-3093M-A

REF No.	PART No.	DESCRIPTION	REF No.	PART No.	DESCRIPTION	REF No.	PART No.	DESCRIPTION
Q517	191-1197-50	2SB1197K Q,R	R230	119-1031-15	1/10W 10k ohm (PP-3093M-A)	R340	119-1011-15	1/10W 100 ohm
Q518	192-4081-00	2SC4081	R231	119-1031-15	1/10W 10k ohm (PP-3093M-A)	R341	119-0000-05	1/10W 0 ohm JW
Q519	192-4116-00	2SC4116	R234	119-5631-15	1/10W 56k ohm (PP-3093M-A)	R342	119-0000-05	1/10W 0 ohm JW
Q520	125-2027-91	DTC114EUA	R235	119-1031-15	1/10W 10k ohm (PP-3093M-A)	R343	119-0000-05	1/10W 0 ohm JW
Q521	192-4116-51	2SC4116 G,L	R236	119-2231-15	1/10W 22k ohm (PP-3093M-A)	R344	119-0000-05	1/10W 0 ohm JW
R101	119-1031-15	1/10W 10k ohm	R238	119-4731-15	1/10W 47k ohm (PP-3093M-A)	R345	119-0000-05	1/10W 0 ohm JW
R102	119-1031-15	1/10W 10k ohm	R241	119-4731-15	1/10W 47k ohm	R346	119-0000-05	1/10W 0 ohm JW
R104	119-1031-15	1/10W 10k ohm	R242	116-2201-15	1/4W 22 ohm	R347	119-1031-15	1/10W 10k ohm
R106	119-4731-15	1/10W 47k ohm	R247	116-3911-15	1/4W 390 ohm	R348	119-0000-05	1/10W 0 ohm JW
R107	119-1031-15	1/10W 10k ohm	R248	116-3911-15	1/4W 390 ohm	R349	119-4731-15	1/10W 47k ohm
R108	119-1031-15	1/10W 10k ohm	R249	119-1041-15	1/10W 100k ohm	R350	119-0000-05	1/10W 0 ohm JW
R109	119-0000-05	1/10W 0 ohm JW	R259	119-1021-15	1/10W 1k ohm	R351	119-1021-15	1/10W 1k ohm
R110	119-1031-15	1/10W 10k ohm	R260	119-1021-15	1/10W 1k ohm	R352	119-1021-15	1/10W 1k ohm
R124	119-2741-15	1/10W 270k ohm	R261	119-1021-15	1/10W 1k ohm (PP-3093M-A)	R353	119-1021-15	1/10W 1k ohm
R125	119-0000-05	1/10W 0 ohm JW	R301	119-1031-15	1/10W 10k ohm	R354	119-1021-15	1/10W 1k ohm
R134	119-3331-15	1/10W 33k ohm	R302	119-1031-15	1/10W 10k ohm	R356	119-1001-15	1/10W 10 ohm
R135	119-1011-15	1/10W 100 ohm	R303	119-2201-15	1/10W 22 ohm	R357	032-0140-15	1/10W 6.8k ohm F
R136	119-3931-15	1/10W 39k ohm	R304	032-0140-80	1/10W 18k ohm F (PP-3093M-A)	R358	032-0140-15	1/10W 6.8k ohm F
R137	119-3931-15	1/10W 39k ohm	R305	032-0140-80	1/10W 18k ohm F (PP-3093M-A)	R360	032-0140-15	1/10W 6.8k ohm F
R138	119-1031-15	1/10W 10k ohm	R306	032-0140-80	1/10W 18k ohm F (PP-3093M-A)	R361	032-0140-15	1/10W 6.8k ohm F
R139	119-1031-15	1/10W 10k ohm	R307	032-0140-80	1/10W 18k ohm F (PP-3093M-A)	R362	032-0140-50	1/10W 10k ohm F
R140	119-1531-15	1/10W 15k ohm	R308	119-1031-15	1/10W 10k ohm	R363	032-0140-50	1/10W 10k ohm F
R141	119-1011-15	1/10W 100 ohm	R309	119-1011-15	1/10W 100 ohm	R364	032-0140-50	1/10W 10k ohm F
R142	119-3931-15	1/10W 39k ohm	R310	119-1021-15	1/10W 1k ohm	R365	032-0140-50	1/10W 10k ohm F
R143	119-1011-15	1/10W 100 ohm	R311	119-1031-15	1/10W 10k ohm	R366	119-1031-15	1/10W 10k ohm
R144	119-4731-15	1/10W 47k ohm	R312	119-3921-15	1/10W 3.9k ohm	R367	119-1031-15	1/10W 10k ohm
R145	119-4731-15	1/10W 47k ohm	R313	119-1031-15	1/10W 10k ohm	R401	119-1021-15	1/10W 1k ohm
R146	116-6891-15	1/4W 6.8 ohm	R314	119-3921-15	1/10W 3.9k ohm	R402	119-1021-15	1/10W 1k ohm
R147	119-0000-05	1/10W 0 ohm JW	R315	119-1031-15	1/10W 10k ohm	R403	119-1021-15	1/10W 1k ohm
R148	119-0000-05	1/10W 0 ohm JW	R316	119-0000-05	1/10W 0 ohm JW	R404	119-0000-05	1/10W 0 ohm JW
R149	119-2231-15	1/10W 22k ohm	R317	119-1031-15	1/10W 10k ohm	R405	119-1021-15	1/10W 1k ohm
R150	119-3321-15	1/10W 3.3k ohm	R318	119-1041-15	1/10W 100k ohm	R406	119-1021-15	1/10W 1k ohm
R151	119-6821-15	1/10W 6.8k ohm	R319	119-1041-15	1/10W 100k ohm	R407	119-1021-15	1/10W 1k ohm
R152	119-3931-15	1/10W 39k ohm	R320	119-1001-15	1/10W 10 ohm	R408	119-1021-15	1/10W 1k ohm
R153	119-1021-15	1/10W 1k ohm	R321	119-3921-15	1/10W 3.9k ohm	R409	119-0000-05	1/10W 0 ohm JW
R154	119-3321-15	1/10W 3.3k ohm	R322	119-0000-05	1/10W 0 ohm JW	R410	119-4731-15	1/10W 47k ohm
R155	119-3321-15	1/10W 3.3k ohm	R323	119-1021-15	1/10W 1k ohm	R411	119-4721-15	1/10W 4.7k ohm
R156	119-2231-15	1/10W 22k ohm	R324	119-3921-15	1/10W 3.9k ohm	R412	119-4721-15	1/10W 4.7k ohm
R157	119-2231-15	1/10W 22k ohm	R325	119-0000-05	1/10W 0 ohm JW	R413	119-3311-15	1/10W 330 ohm
R158	119-1001-15	1/10W 10 ohm	R327	119-1031-15	1/10W 10k ohm (PP-3093L-A)	R414	119-3311-15	1/10W 330 ohm
R159	119-1001-15	1/10W 10 ohm	R329	032-0140-50	1/10W 10k ohm F (PP-3093M-A)	R415	119-4731-15	1/10W 47k ohm
R160	119-1031-15	1/10W 10k ohm	R329	119-1031-15	1/10W 10k ohm (PP-3093L-A)	R416	119-4731-15	1/10W 47k ohm
R161	119-0000-05	1/10W 0 ohm JW	R331	119-1031-15	1/10W 10k ohm (PP-3093M-A)	R417	119-4731-15	1/10W 47k ohm
R162	119-3321-15	1/10W 3.3k ohm	R331	032-0140-50	1/10W 10k ohm F (PP-3093M-A)	R418	119-4711-15	1/10W 470 ohm
R163	119-1041-15	1/10W 100k ohm	R332	119-1031-15	1/10W 10k ohm (PP-3093L-A)	R418	119-4711-15	1/10W 470 ohm
R164	119-2231-15	1/10W 22k ohm	R332	032-0140-50	1/10W 10k ohm F (PP-3093M-A)	R419	119-4711-15	1/10W 470 ohm
R165	119-1041-15	1/10W 100k ohm	R333	032-0140-50	1/10W 10k ohm F	R420	119-4711-15	1/10W 470 ohm
R166	119-0000-05	1/10W 0 ohm JW	R334	032-0140-50	1/10W 10k ohm F	R421	119-4711-15	1/10W 470 ohm
R170	116-1091-15	1/4W 1 ohm	R335	119-1031-15	1/10W 10k ohm	R422	119-1011-15	1/10W 100 ohm
R173	116-1221-15	1/4W 1.2k ohm	R336	119-1031-15	1/10W 10k ohm	R423	119-1011-15	1/10W 100 ohm
R174	116-3911-15	1/4W 390 ohm	R337	119-1031-15	1/10W 10k ohm	R424	119-1011-15	1/10W 100 ohm
R176	119-1031-15	1/10W 10k ohm	R338	119-1031-15	1/10W 10k ohm	R426	119-1031-15	1/10W 10k ohm
R180	119-0000-05	1/10W 0 ohm JW	R339	119-1011-15	1/10W 100 ohm	R427	119-1031-15	1/10W 10k ohm
R185	119-0000-05	1/10W 0 ohm JW				R428	119-1031-15	1/10W 10k ohm
R187	119-0000-05	1/10W 0 ohm JW				R429	119-1031-15	1/10W 10k ohm
R207	119-1021-15	1/10W 1k ohm				R430	119-1011-15	1/10W 100 ohm
R208	119-1021-15	1/10W 1k ohm				R431	119-1011-15	1/10W 100 ohm
R209	119-1021-15	1/10W 1k ohm (PP-3093L-A)				R432	119-1011-15	1/10W 100 ohm
R210	119-3011-15	1/10W 300 ohm (PP-3093M-A)				R433	119-1011-15	1/10W 100 ohm
R211	119-3011-15	1/10W 300 ohm (PP-3093M-A)				R434	119-1031-15	1/10W 10k ohm
R216	119-1021-15	1/10W 1k ohm (PP-3093M-A)				R435	119-1031-15	1/10W 10k ohm
R219	119-5621-15	1/10W 5.6k ohm (PP-3093M-A)				R437	119-4731-15	1/10W 47k ohm
R220	119-5621-15	1/10W 5.6k ohm (PP-3093M-A)				R439	119-4731-15	1/10W 47k ohm
R223	119-5631-15	1/10W 56k ohm (PP-3093M-A)				R440	119-4731-15	1/10W 47k ohm
R224	119-5631-15	1/10W 56k ohm (PP-3093M-A)				R442	119-4721-15	1/10W 4.7k ohm
						R444	119-1021-15	1/10W 1k ohm
						R445	119-4731-15	1/10W 47k ohm
						R446	119-4731-15	1/10W 47k ohm
						R447	119-1031-15	1/10W 10k ohm
						R448	119-0000-05	1/10W 0 ohm JW
						R449	119-4731-15	1/10W 47k ohm
						R450	119-0000-05	1/10W 0 ohm JW
						R452	119-4731-15	1/10W 47k ohm
						R453	119-1031-15	1/10W 10k ohm
						R454	119-4731-15	1/10W 47k ohm

Note) Some parts depend on each model. The model name is specified in the description.

REF No.	PART No.	DESCRIPTION	REF No.	PART No.	DESCRIPTION	REF No.	PART No.	DESCRIPTION
R456	119-1021-15	1/10W 1k ohm	R504	119-1031-15	1/10W 10k ohm	R560	119-1031-15	1/10W 10k ohm
R458	119-1021-15	1/10W 1k ohm	R505	119-1031-15	1/10W 10k ohm	R561	116-1221-15	1/4W 1.2k ohm
R459	119-4731-15	1/10W 47k ohm	R507	119-1031-15	1/10W 10k ohm	R562	116-1221-15	1/4W 1.2k ohm
R460	119-4731-15	1/10W 47k ohm	R508	119-1031-15	1/10W 10k ohm	R563	119-1031-15	1/10W 10k ohm
R463	119-4731-15	1/10W 47k ohm	R509	119-1031-15	1/10W 10k ohm	R564	119-4721-15	1/10W 4.7k ohm
R466	119-4731-15	1/10W 47k ohm	R510	119-1031-15	1/10W 10k ohm	R565	119-1521-15	1/10W 1.5k ohm
R469	119-1011-15	1/10W 100 ohm	R511	119-1031-15	1/10W 10k ohm	R566	119-1031-15	1/10W 10k ohm
R471	119-1021-15	1/10W 1k ohm	R512	119-1031-15	1/10W 10k ohm	R567	032-0148-50	1/10W 100k ohm D
R472	119-1011-15	1/10W 100 ohm	R514	119-1051-15	1/10W 1M ohm	R568	032-0140-16	1/10W 180k ohm F
R474	119-4731-15	1/10W 47k ohm	R515	119-1051-15	1/10W 1M ohm	R570	119-0000-05	1/10W 0 ohm JW
R475	119-1011-15	1/10W 100 ohm	R516	119-1051-15	1/10W 1M ohm	R571	119-0000-05	1/10W 0 ohm JW
R476	119-1011-15	1/10W 100 ohm	R517	119-1051-15	1/10W 1M ohm	R572	032-0208-51	1/4W 15k ohm
R477	119-4721-15	1/10W 4.7k ohm	R518	119-1031-15	1/10W 10k ohm	R573	119-2221-15	1/10W 2.2k ohm
R478	119-4721-15	1/10W 4.7k ohm	R519	119-1031-15	1/10W 10k ohm	R574	119-0000-05	1/10W 0 ohm JW
R479	119-1031-15	1/10W 10k ohm	R520	119-1031-15	1/10W 10k ohm	R575	116-1531-15	1/4W 15k ohm
R480	119-4731-15	1/10W 47k ohm	R521	119-1031-15	1/10W 10k ohm	R577	119-1031-15	1/10W 10k ohm
R481	119-2231-15	1/10W 22k ohm	R522	119-1031-15	1/10W 10k ohm	R578	119-0000-05	1/10W 0 ohm JW
R482	119-4731-15	1/10W 47k ohm	R523	119-1031-15	1/10W 10k ohm	R579	119-1031-15	1/10W 10k ohm
R483	119-1031-15	1/10W 10k ohm	R524	119-4731-15	1/10W 47k ohm	R580	119-5611-15	1/10W 560 ohm
R484	119-4731-15	1/10W 47k ohm	R527	032-0148-63	1/10W 130k ohm D	R581	116-4791-15	1/4W 4.7 ohm
R485	119-4731-15	1/10W 47k ohm	R528	032-0148-64	1/10W 390k ohm D	R582	116-4791-15	1/4W 4.7 ohm
R486	119-1041-15	1/10W 100k ohm	R530	119-1031-15	1/10W 10k ohm	R583	119-2231-15	1/10W 22k ohm
R487	119-1041-15	1/10W 100k ohm	R532	119-1031-15	1/10W 10k ohm	R584	119-3321-15	1/10W 3.3k ohm
R488	119-1241-15	1/10W 120k ohm	R533	119-1841-15	1/10W 180k ohm	R587	119-1841-15	1/10W 180k ohm
R489	119-3331-15	1/10W 33k ohm	R534	119-1031-15	1/10W 10k ohm	R588	119-3341-15	1/10W 330k ohm
R490	119-6801-15	1/10W 68 ohm	R535	116-6811-15	1/4W 680 ohm	R4001	119-1021-15	1/10W 1k ohm
R491	119-2241-15	1/10W 220k ohm	R536	119-1031-15	1/10W 10k ohm	R4002	119-1021-15	1/10W 1k ohm
R492	119-4731-15	1/10W 47k ohm	R537	032-0140-51	1/10W 15k ohm F	SUP102	060-0122-91	DSP-141N-S00B
R493	119-4721-15	1/10W 4.7k ohm	R538	119-1021-15	1/10W 1k ohm	TH101	002-0229-00	PTH8L05BAIR8M1B
R494	119-4721-15	1/10W 4.7k ohm	R547	119-4721-15	1/10W 4.7k ohm	TC401	004-1580-10	30pF GRN (PP-3093M-A)
R495	119-4731-15	1/10W 47k ohm	R548	119-4721-15	1/10W 4.7k ohm	TM101	073-0762-90	TERMINAL
R496	119-4721-15	1/10W 4.7k ohm	R549	119-3331-15	1/10W 33k ohm	TM502	073-0762-90	TERMINAL
R497	119-4721-15	1/10W 4.7k ohm	R555	116-3911-15	1/4W 390 ohm	X301	061-3537-90	41.6MHz
R498	119-1041-15	1/10W 100k ohm	R556	119-1521-15	1/10W 1.5k ohm	X401	061-3567-90	8.000MHz AT-41CD2
R499	119-1041-15	1/10W 100k ohm	R557	116-1221-15	1/4W 1.2k ohm	PWB	039-3306-00	PWB(WITHOUT COMPONENT)
R502	119-1031-15	1/10W 10k ohm	R558	119-1031-15	1/10W 10k ohm			
R503	119-1031-15	1/10W 10k ohm	R559	116-1221-15	1/4W 1.2k ohm			

Switch PWB(B2) section

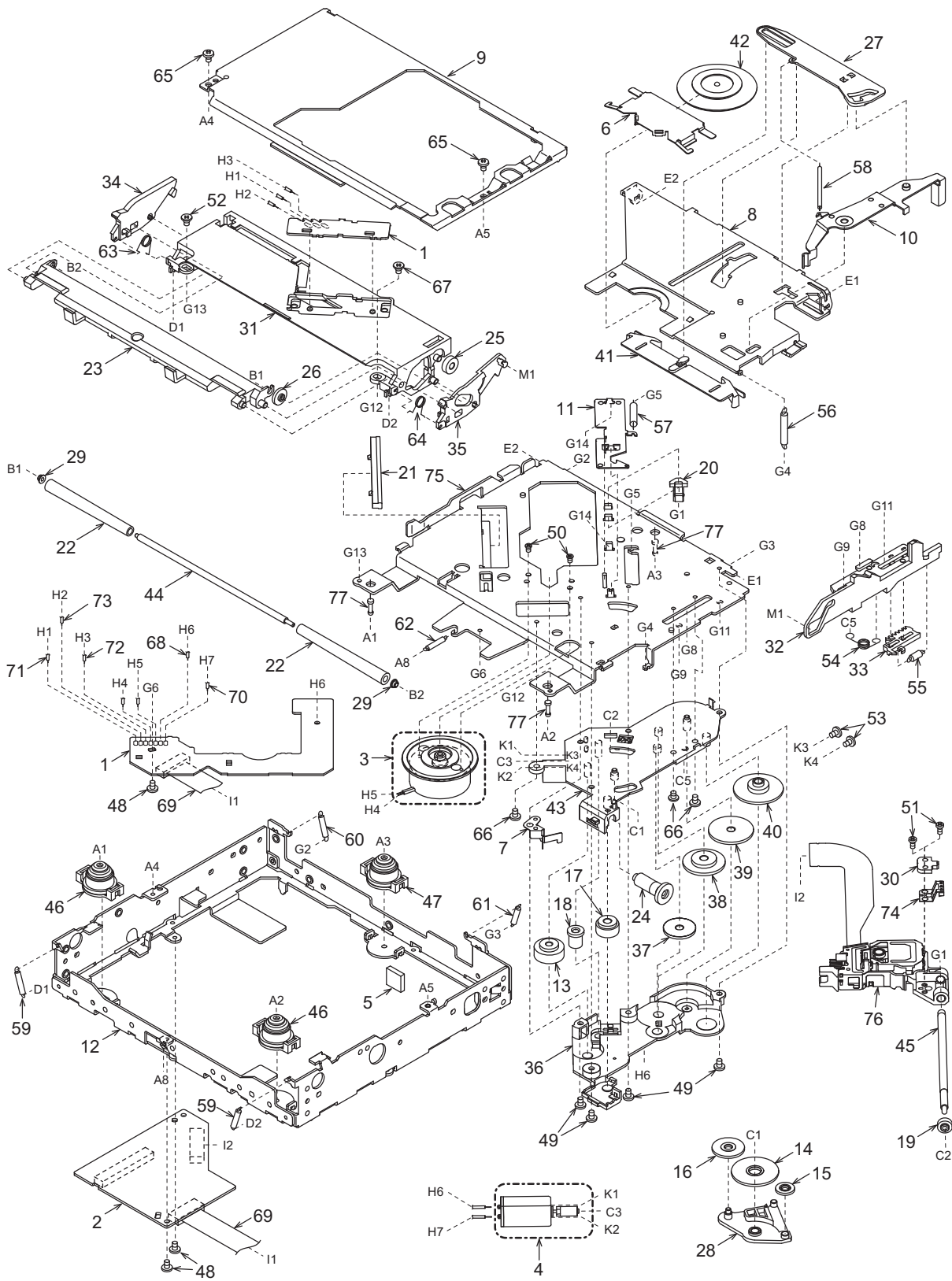
Note) Some parts depend on each model. The model name is specified in the description.

REF No.	PART No.	DESCRIPTION	REF No.	PART No.	DESCRIPTION	REF No.	PART No.	DESCRIPTION
ANT902	060-8094-50	YMA1250-S100706	D613	001-7109-90	SML-311DTT86 ORG	D641	001-7109-90	SML-311DTT86 ORG
C601	043-0554-90	25V 10uF	D614	001-7109-90	SML-311DTT86 ORG	D642	001-7109-90	SML-311DTT86 ORG
C602	043-0554-90	25V 10uF	D615	001-7109-90	SML-311DTT86 ORG	D643	001-7109-90	SML-311DTT86 ORG
C603	168-1042-78	16V 0.1uF K	D616	001-7109-90	SML-311DTT86 ORG	D644	001-7109-90	SML-311DTT86 ORG
C604	043-0554-90	25V 10uF	D617	001-7109-90	SML-311DTT86 ORG	D645	001-7109-90	SML-311DTT86 ORG
C605	168-1042-78	16V 0.1uF K	D618	001-7109-90	SML-311DTT86 ORG	D656	001-7109-90	SML-311DTT86 ORG
C901	168-1042-78	16V 0.1uF K	D619	001-7109-90	SML-311DTT86 ORG	D662	001-9210-50	AVR-M1608C270MT AAD
C902	166-1011-50	100pF CH	D620	001-7109-90	SML-311DTT86 ORG	D663	001-9210-50	AVR-M1608C270MT AAD
C903	168-1042-78	16V 0.1uF K	D621	001-7109-90	SML-311DTT86 ORG	D664	001-9210-50	AVR-M1608C270MT AAD
C904	166-1011-50	100pF CH	D622	001-7109-90	SML-311DTT86 ORG	D665	001-9210-50	AVR-M1608C270MT AAD
C905	166-1011-50	100pF CH	D623	001-7109-90	SML-311DTT86 ORG	D666	001-9210-50	AVR-M1608C270MT AAD
C906	042-0423-97	16V 10uF	D624	001-7109-90	SML-311DTT86 ORG	D667	001-9210-50	AVR-M1608C270MT AAD
C907	168-1042-78	16V 0.1uF K	D625	001-7109-90	SML-311DTT86 ORG	D668	001-9210-50	AVR-M1608C270MT AAD
C908	168-1042-78	16V 0.1uF K	D626	001-7109-90	SML-311DTT86 ORG	D669	001-9210-50	AVR-M1608C270MT AAD
C909	166-3311-50	330pF CH	D627	001-7109-90	SML-311DTT86 ORG	IC601	051-6057-00	ML9090A-01GA
D601	001-9210-50	AVR- M1608C270MTAAD	D628	001-7109-90	SML-311DTT86 ORG	IC901	060-8095-90	UGZZ5-616A (PP-3093L-A)
D602	001-9210-50	AVR- M1608C270MTAAD	D629	001-7109-90	SML-311DTT86 ORG	IC901	060-8095-91	UGZZ5-616B (PP-3093M-A)
D603	001-9210-50	AVR- M1608C270MTAAD	D630	001-7109-90	SML-311DTT86 ORG	J601	074-3033-26	26P
D604	001-4320-50	EDZC6.8B	D631	001-7109-90	SML-311DTT86 ORG			
D605	001-7109-90	SML-311DTT86 ORG	D632	001-7109-90	SML-311DTT86 ORG			
D606	001-7109-90	SML-311DTT86 ORG	D633	001-7109-90	SML-311DTT86 ORG			
D607	001-7109-90	SML-311DTT86 ORG	D634	001-7109-90	SML-311DTT86 ORG			
D610	001-7109-90	SML-311DTT86 ORG	D635	001-7109-90	SML-311DTT86 ORG			
D611	001-7109-90	SML-311DTT86 ORG	D636	001-7109-90	SML-311DTT86 ORG			
D612	001-7109-90	SML-311DTT86 ORG	D637	001-7109-90	SML-311DTT86 ORG			
			D638	001-7109-90	SML-311DTT86 ORG			
			D639	001-7109-90	SML-311DTT86 ORG			
			D640	001-7109-90	SML-311DTT86 ORG			

PP-3093L-A
PP-3093M-A

REF No.	PART No.	DESCRIPTION	REF No.	PART No.	DESCRIPTION	REF No.	PART No.	DESCRIPTION
J602	075-0395-01	JACK	R612	116-2221-15	1/4W 2.2k ohm	R635	119-0000-05	1/10W 0 ohm JW
J901	074-3033-16	SOCKET(16P)	R613	116-2221-15	1/4W 2.2k ohm	R636	116-2221-15	1/4W 2.2k ohm
L901	010-3104-54	600 ohm/100MHz	R614	116-2221-15	1/4W 2.2k ohm	R637	119-0000-05	1/10W 0 ohm JW
L902	010-3104-54	600 ohm/100MHz	R615	116-1021-15	1/4W 1k ohm	R639	116-1821-15	1/4W 1.8k ohm
L903	010-3104-54	600 ohm/100MHz	R616	116-2221-15	1/4W 2.2k ohm	R640	119-2221-15	1/10W 2.2k ohm
L904	010-3104-54	600 ohm/100MHz	R617	116-1021-15	1/4W 1k ohm	R901	119-0000-05	1/10W 0 ohm JW
L906	010-3104-54	600 ohm/100MHz	R618	116-2221-15	1/4W 2.2k ohm	R902	119-0000-05	1/10W 0 ohm JW
L907	010-3104-54	600 ohm/100MHz	R619	116-1021-15	1/4W 1k ohm	R905	119-2711-15	1/10W 270 ohm
L909	010-3104-54	600 ohm/100MHz	R620	116-2221-15	1/4W 2.2k ohm	R909	119-1031-15	1/10W 10k ohm
L910	010-3104-54	600 ohm/100MHz	R621	116-1021-15	1/4W 1k ohm	R914	119-5631-15	1/10W 56k ohm
L911	010-3104-54	600 ohm/100MHz	R622	116-1821-15	1/4W 1.8k ohm	R916	119-1031-15	1/10W 10k ohm
L912	010-3104-54	600 ohm/100MHz	R623	116-1021-15	1/4W 1k ohm	R917	119-2711-15	1/10W 270 ohm
Q601	190-1162-00	2SA1162	R624	116-1821-15	1/4W 1.8k ohm	R918	119-1011-15	1/10W 100 ohm
Q602	192-2712-51	2SC2712 G,L	R625	116-1021-15	1/4W 1k ohm	R919	119-1011-15	1/10W 100 ohm
R601	032-0140-00	1/10W 56k ohm F	R626	116-1821-15	1/4W 1.8k ohm	S601	016-7004-00	ROTARY SWITCH
R602	119-4731-15	1/10W 47k ohm	R627	116-2221-15	1/4W 2.2k ohm	S602	013-6201-53	SKPMAPE010
R604	032-0140-53	1/10W 2.2k ohm F	R628	116-2721-15	1/4W 2.7k ohm	S603	013-6202-52	SKPMBJE010
R605	032-0140-53	1/10W 2.2k ohm F	R629	116-2221-15	1/4W 2.2k ohm	S604	013-6202-52	SKPMBJE010
R606	116-1821-15	1/4W 1.8k ohm	R630	116-2221-15	1/4W 2.2k ohm	S605	013-6202-52	SKPMBJE010
R607	119-4731-15	1/10W 47k ohm	R631	116-2221-15	1/4W 2.2k ohm	S606	013-6202-52	SKPMBJE010
R608	116-2221-15	1/4W 2.2k ohm	R632	116-2221-15	1/4W 2.2k ohm	TM601	073-0778-90	TERMINAL
R609	116-2721-15	1/4W 2.7k ohm	R633	116-2221-15	1/4W 2.2k ohm	PWB	039-3307-00	PWB(WITHOUT COMPONENT)
R611	116-2221-15	1/4W 2.2k ohm	R634	116-2221-15	1/4W 2.2k ohm			

EXPLODED VIEW/PARTS LIST



NO.	PART NO.	DESCRIPTION	Q'TY
1	-----	LED PWB	1
2	-----	CD PWB	1
3	SMA-182-100	SPINDLE MOTOR-ASSY	1
4	SMA-183-100	SLED MOTOR-ASSY	1
5	345-5476-20	CUSHION RUBBER	1
6	620-1023-23	CLAMPER PLATE	1
7	620-1026-21	SPRING PLATE	1
8	620-1596-23	CLAMPER LINK	1
9	620-1862-20	UPPER CHASSIS	1
10	620-1752-20	SENSOR ARM	1
11	620-1753-20	ID-LOCK PLATE	1
12	620-1754-20	LOWER CHASSIS	1
13	621-0608-21	SECOND GEAR	1
14	621-0609-20	BASE GEAR	1
15	621-0610-20	IDLE GEAR A	1
16	621-0611-20	IDLE GEAR B	1
17	621-0612-21	ROLLER GEAR A	1
18	621-0620-20	THREAD GEAR A	1
19	621-0621-20	THREAD GEAR B	1
20	621-0623-23	LS-HOLDER	1
21	621-0624-22	GUIDE RAIL	1
22	621-0711-21	LOADING ROLLER	2
23	621-0718-21	ROLLER GUIDE	1
24	621-0719-20	ROLLER GEAR B	1
25	621-0720-20	ROLLER GEAR C	1
26	621-0721-20	ROLLER GEAR D	1
27	621-0728-20	STOPPER LINK	1
28	621-1719-20	IDLE CASE	1
29	621-1726-20	ROLLER SLEEVE	2
30	621-1729-20	SH-BASE	1
31	621-1742-20	UPPER GUIDE	1
32	621-1743-20	SHIFT LEVER	1
33	621-1744-20	RACK	1
34	621-1745-20	LOCK ARM L	1
35	621-1746-20	LOCK ARM R	1
36	621-1747-20	GEAR COVER	1
37	621-1748-20	POWER GEAR A	1
38	621-1749-20	POWER GEAR B	1
39	621-1750-20	POWER GEAR C	1

NO.	PART NO.	DESCRIPTION	Q'TY
40	621-1751-20	POWER GEAR D	1
41	621-1752-20	DISC STOPPER	1
42	621-1753-20	CLAMPER RING	1
43	621-1754-20	GEAR BASE	1
44	622-1571-21	ROLLER SHAFT	1
45	624-0020-00	LEAD SCREW	1
46	629-0086-20	DAMPER F	2
47	629-0087-20	DAMPER R	1
48	716-1507-01	SCREW(M2x3)	3
49	716-1670-01	SCREW(M2x4)	4
50	716-1733-01	SCREW(M1.7x2.3)	2
51	716-3469-01	SCREW(1.7x4)	2
52	716-3473-01	SCREW(M2x3)	1
53	716-3551-00	SCREW(M1.4x2.5)	2
54	750-7865-20	SHIFT SPRING	1
55	750-7866-20	RACK SPRING	1
56	750-7867-20	CLAMPER SPRING	1
57	750-7868-20	ID-LOCK SPRING	1
58	750-7869-20	SENSOR SPRING	1
59	750-7870-20	DR-SPRING F	2
60	750-7871-20	DR-SPRING RA	1
61	750-7872-20	DR-SPRING RB	1
62	750-7873-20	DR-SPRING C	1
63	750-6797-20	ROLLER SPRING L	1
64	750-6798-20	ROLLER SPRING R	1
65	714-2003-8B	SCREW(M2x3)	2
66	780-2025-00	SCREW(M2x2.5)	3
67	781-1730-00	SCREW(M1.7x3)	1
68	803-4906-60	VINYL-COAT-WIRE(ORG)	1
69	816-2542-01	FLAT WIRE	1
70	816-2590-00	VINYL-COAT-WIRE(GRN)	1
71	816-2591-00	VINYL-COAT-WIRE(YEL)	1
72	816-2592-00	VINYL-COAT-WIRE(BLUE)	1
73	816-2593-00	VINYL-COAT-WIRE(PUR)	1
74	966-1722-20	SH-RACK-ASSY	1
75	966-1743-21	DRIVE-PLT-ASSY	1
76	969-0073-30	PICKUP-ASSY	1
77	622-1570-21	DAMPER PIN	3

ELECTRICAL PARTS LIST

Main PWB(BM1) section

REF No.	PART No.	DESCRIPTION	REF No.	PART No.	DESCRIPTION	REF No.	PART No.	DESCRIPTION
C1	168-1042-78	16V 0.1uF	C29	046-6822-58	6800pF	R5	033-0000-05	1/10W 0 ohm
C2	163-1073-35	16V 100uF	C30	168-1042-78	16V 0.1uF	R6	033-5621-15	1/10W 5.6k ohm
C4	178-1052-78	1uF	C31	046-4712-58	470pF	R7	033-4731-15	1/10W 47k ohm
C5	042-0560-85	6.3V 100uF	C32	046-4712-58	470pF	R8	033-3341-15	1/10W 330k ohm
C6	178-1052-78	1uF	C33	168-1042-78	16V 0.1uF	R9	033-2231-15	1/10W 22k ohm
C8	178-1052-78	1uF	C34	168-4732-78	16V 0.047uF	R10	033-2231-15	1/10W 22k ohm
C10	168-1042-78	16V 0.1uF	C35	168-4732-78	16V 0.047uF	R11	033-2731-15	1/10W 27k ohm
C11	168-1042-78	16V 0.1uF	C36	045-1007-50	10pF	R12	033-4731-15	1/10W 47k ohm
C12	045-4701-50	47pF	C37	045-1007-50	10pF	R13	033-2731-15	1/10W 27k ohm
C13	046-1532-78	0.015uF	C38	168-1042-78	16V 0.1uF	R14	033-1531-15	1/10W 15k ohm
C14	168-1042-78	16V 0.1uF	C39	046-5622-58	5600pF	R15	033-2731-15	1/10W 27k ohm
C15	046-1032-78	0.01uF	C40	168-1042-78	16V 0.1uF	R16	033-8231-15	1/10W 82k ohm
C17	046-4722-58	4700pF	CCT1	050-0140-63	1/32W 47k ohm x4J	R17	033-2731-15	1/10W 27k ohm
C18	046-1522-58	1500pF	D1	001-0367-91	1SS226	R18	033-8231-15	1/10W 82k ohm
C19	168-1042-78	16V 0.1uF	IC1	051-6079-90	BA5830FP-E2	R19	033-1051-15	1/10W 1M ohm
C20	168-1042-78	16V 0.1uF	IC2	051-6399-00	TC94A15FG	R20	119-2221-15	1/10W 2.2k ohm
C21	046-6812-58	680pF	J101	074-1228-79	29P	R22	119-0000-05	1/10W 0 ohm JW
C22	168-1042-78	16V 0.1uF	J201	074-1138-65	15P	TM1	073-0768-90	TERMINAL
C23	046-1532-78	0.015uF	J301	074-1138-60	10P	X2	061-3534-90	16.92MHz
C24	168-1042-78	16V 0.1uF	Q1	131-1188-50	2SB1188PQR	PWB	039-2845-21	PWB(WITHOUT COMPONENT)
C25	045-6801-50	68pF	R1	117-6811-15	1/8W 680 ohm			
C26	168-1042-78	16V 0.1uF	R2	117-1001-15	1/8W 10 ohm			
C27	046-3332-78	0.033uF	R3	033-2211-15	1/10W 220 ohm			

LED PWB(BM2) section

REF No.	PART No.	DESCRIPTION	REF No.	PART No.	DESCRIPTION	REF No.	PART No.	DESCRIPTION
D1	001-7058-90	AN1105W-RR	Q1	060-4015-91	PS1192HB	S2	013-7413-50	LIMIT
D2	001-7058-90	AN1105W-RR	Q2	060-4015-91	PS1192HB	PWB	039-1944-21	PWB(WITHOUT COMPONENT)
J1	074-1138-60	10P	S1	013-7414-50	CHUCKING			

BLOCK DIAGRAM

