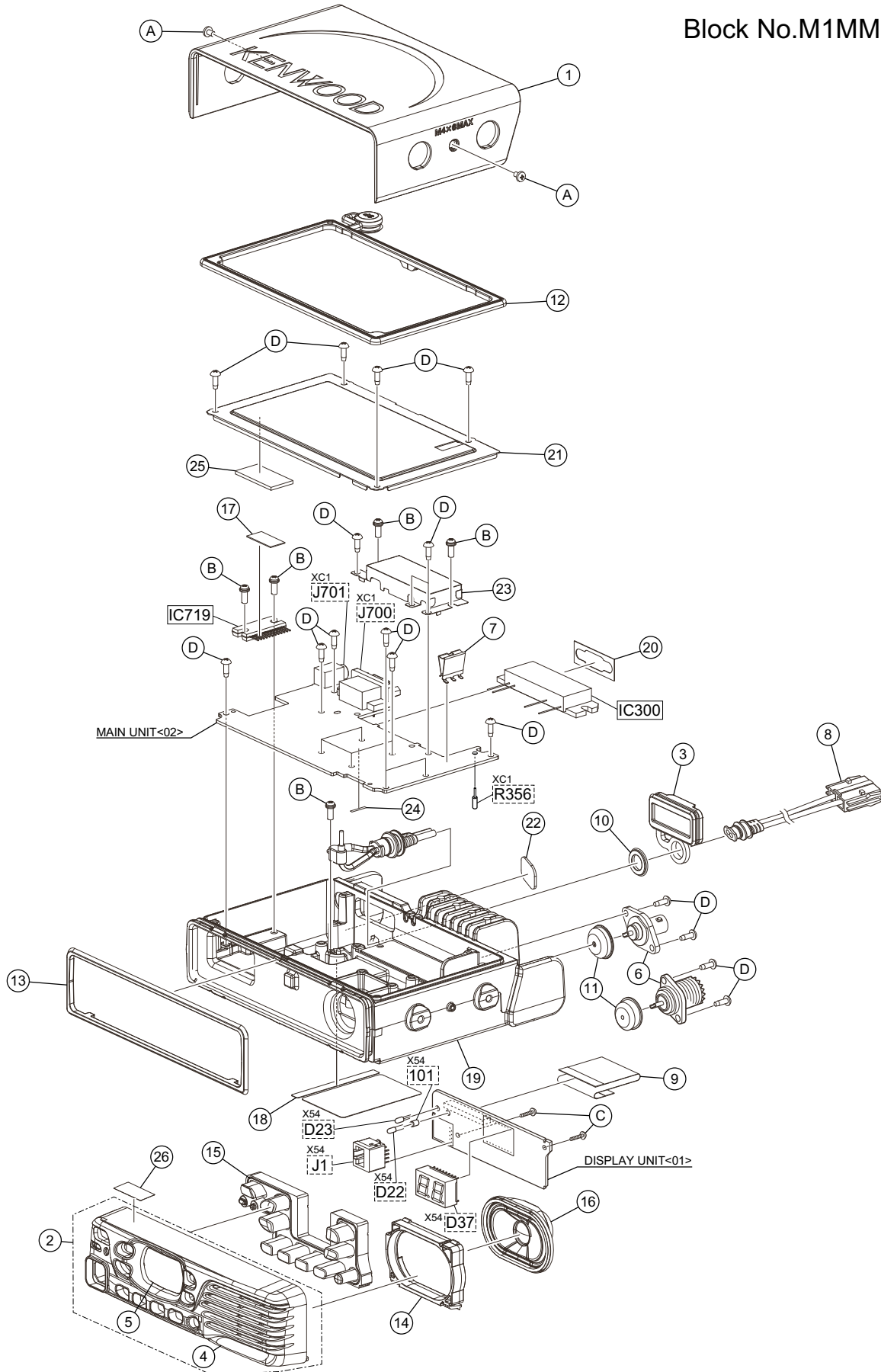


Exploded view of general assembly and parts list

Block No.M1MM



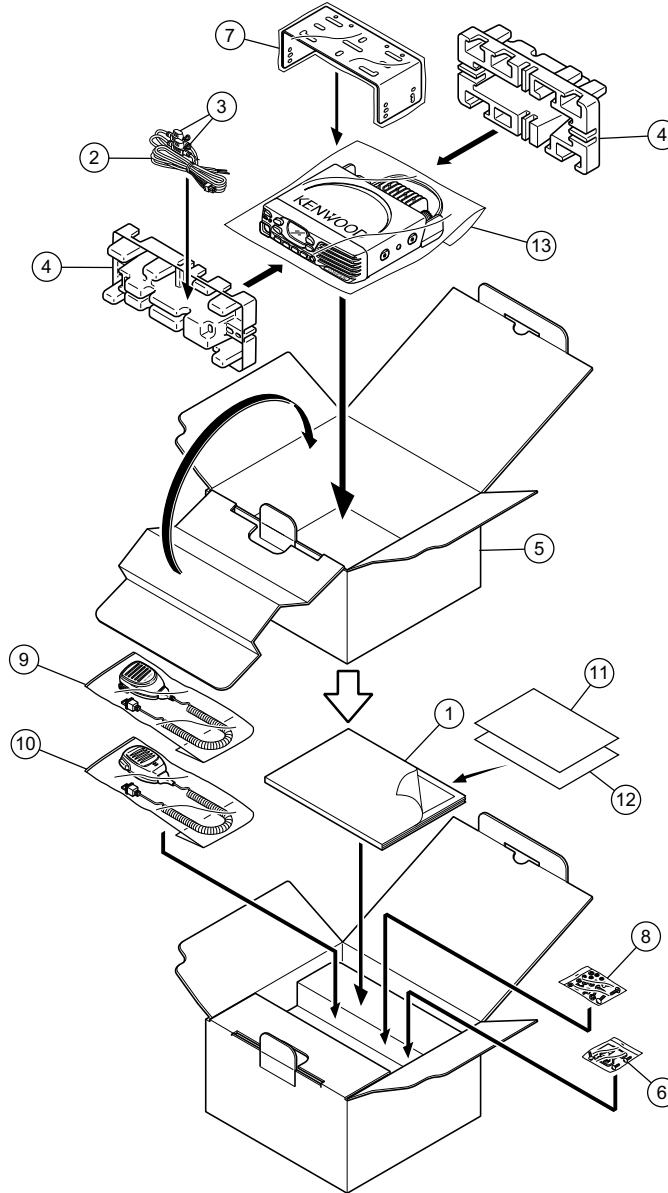
General assembly

Block No. [M][1][M][M]

△ Symbol No.	Part No.	Part Name	Description	Local
1	A02-4073-31	PLASTIC CABINET		
2	A6C-0027-00	PANEL ASSEMBLY		
3	B09-0732-03	CAP	D-SUB	
4	B4D-0037-00	KENWOOD BADGE	PICASUS	
5	-----	FRONT GLASS		
6	E04-0167-15	C.RECEPTACLE-M	M TYPE	D740_M,D740H_K,D740HV_K
6	E04-0454-15	C.RECEPTACLE-BN	BNC	D740_E
7	E23-1346-04	GROUND TERMINAL	CLIP	
8	E30-7684-25	DC CORD	PIG BLADE	
9	E37-1461-05	FLAT CABLE	30P	
10	G53-1643-04	PACKING	PIG O-RING	
11	G53-1662-04	PACKING	ANT M	D740_M,D740H_K,D740HV_K
11	G53-1675-04	PACKING	ANT BNC	D740_E
12	G53-1819-21	PACKING	CHASSIS	
13	G53-1820-03	PACKING	PANEL	
14	J19-5528-03	HOLDER		
15	K29-9448-01	KEY TOP		
16	T07-0785-15	SPEAKER	6W	
17	G10-1365-04	FIBROUS SHEET	AMP	
18	B41-1837-04	CAUTION STICKER	HOT SURFACE	
19	A1A-0055-00	CHASSIS		
20	G11-4611-04	SHEET	D-SUB	
21	F1B-0010-00	SHIELDING COVER	TOP COVER	D740_E
22	G11-4578-04	SHEET	WITHOUT GPS	
23	F10-3183-03	SHIELDING CASE	P-MODULE	
24	F1C-0063-00	CONDUCT SHEET	PCB-B	
25	G1D-0164-00	CUSHION	S-COVER	D740_E
26	B4B-0008-00	CAUTION STICKER	FCC PANEL	D740_M,D740H_K,D740HV_K
A	N35-2604-43	BI.HEAD M.SCREW	CABINET(x2)	
B	N67-3010-48	P.H.SEMS SCREW	PM,AMP,DC/-(x5)	
C	N80-2008-48	P.HEAD T.SCREW	DISP PCB(x2)	
D	N87-2608-48	BR.HEAD T.SCREW	PCB,ANT(x15)	D740_M,D740H_K,D740HV_K
D	N87-2608-48	BR.HEAD T.SCREW	PCB,ANT(x19)	D740_E
-	X54-3890-21	DISPLAY UNIT		
-	XCA-003E-00S	MAIN UNIT	SERVICE UNIT	

Packing materials and accessories parts list

Block No.M2MM



Packing and accessories

Block No. [M][2][M][M]

Symbol No.	Part No.	Part Name	Description	Local
1	B5A-0923-00	INST.MANUAL	A5,P24	D740_M
1	B5A-0921-00	INST.MANUAL	A5,P112	D740_E
1	B5A-0922-00	INST.MANUAL	A5,P40	D740H_K,D740HV_K
2	E30-7523-65	DC CORD ASSEMBLY	ACC BLADE	
3	FZB10AU-100	FUSE	BLADE,10A(x2)	D740_M,D740_E
3	FZB10AU-150	FUSE	BLADE,15A(x2)	D740H_K,D740HV_K
4	H12-3178-05	PACKING FIXTURE	(x2)	
5	H52-2674-22	ITEM CARTON		
6	J19-1584-15	HOLDER	ACC FOR MIC	D740H_K,D740HV_K
7	J29-0726-03	BRACKET	ACC	
8	N99-2039-05	SCREW SET	ACC	
9	T91-0624-75	MICROPHONE	ACC KMC-30	D740H_K
10	T91-0639-75	MICROPHONE	ACC KMC-35	D740HV_K
11	-----	PAMPHLET	HOT SURFACE	
12	-----	PAMPHLET	FCC, 60CM	D740_M,D740H_K,D740HV_K
12	-----	PAMPHLET	ROHS2	D740_E
13	-----	PROTECTION BAG	RADIO	

Electrical parts list

DISPLAY UNIT

X54-3890-21

		Block No. [0][1]		
△ Symbol No.	Part No.	Part Name	Description	Local
IC1	TC62D748CFNAG	IC		
Q1	LTC044EEBFS8	DIGI TRANSISTOR		
Q2	LTC044EEBFS8	DIGI TRANSISTOR		
Q3	KRA225S	TRANSISTOR		
Q4	KRC102S-P	TRANSISTOR		
Q5	2SC3928A	TRANSISTOR		
Q6	2SC3928A	TRANSISTOR		
Q7	LTA014EEBFS8	DIGI TRANSISTOR		
Q8	LTA014EEBFS8	DIGI TRANSISTOR		
Q9	2SC3928A	TRANSISTOR		
D1	B30-2337-05	LED		
D2	B30-2337-05	LED		
D3	B30-2337-05	LED		
D4	B30-2337-05	LED		
D5	B30-2337-05	LED		
D20	DA221	DIODE ARRAY		
D22	B30-2321-05	LED		
D23	B30-2151-05	LED		
D33	DZ2J062(M)	ZENER DIODE		
D37	HDSP-521A	LED		
C1	CK73HBB1E103K	C CAPACITOR	0.01uF 25V K	
C8	CC73HCH1H101J	C CAPACITOR	100pF 50V J	
C9	CK73HBB1H102K	C CAPACITOR	1000pF 50V K	
C10	CK73HBB1E103K	C CAPACITOR	0.01uF 25V K	
C16	CK73HBB1E103K	C CAPACITOR	0.01uF 25V K	
C27	CC73HCH1H101J	C CAPACITOR	100pF 50V J	
C28	CK73HBB1H102K	C CAPACITOR	1000pF 50V K	
C29	CK73HBB1H102K	C CAPACITOR	1000pF 50V K	
C30	CK73HBB1H102K	C CAPACITOR	1000pF 50V K	
C31	CK73HBB1H102K	C CAPACITOR	1000pF 50V K	
C32	CK73HBB1H102K	C CAPACITOR	1000pF 50V K	
C33	CK73HBB1H102K	C CAPACITOR	1000pF 50V K	
C34	CK73HBB1H102K	C CAPACITOR	1000pF 50V K	
C35	CK73HBB1H102K	C CAPACITOR	1000pF 50V K	
C36	CK73HBB1H102K	C CAPACITOR	1000pF 50V K	
C38	CK73HBB1H102K	C CAPACITOR	1000pF 50V K	
C39	CC73HCH1H101J	C CAPACITOR	100pF 50V J	
C40	CK73HBB1H102K	C CAPACITOR	1000pF 50V K	
C41	CC73HCH1H101J	C CAPACITOR	100pF 50V J	
C43	CK73HBB1H471K	C CAPACITOR	470pF 50V K	
C44	CK73HBB1H471K	C CAPACITOR	470pF 50V K	
C45	CK73HBB1H471K	C CAPACITOR	470pF 50V K	
C46	CK73HBB1H471K	C CAPACITOR	470pF 50V K	
C47	CK73HBB1H102K	C CAPACITOR	1000pF 50V K	
C48	CK73HBB1H102K	C CAPACITOR	1000pF 50V K	
C49	CK73HBB1H102K	C CAPACITOR	1000pF 50V K	
C50	CC73HCH1H101J	C CAPACITOR	100pF 50V J	
R1	RK73HB1J101J	MG RESISTOR	100Ω 1/16W J	
R2	RK73FB2B000J	MG RESISTOR	0Ω 1/8W J	
R3	RK73HB1J102J	MG RESISTOR	1kΩ 1/16W J	
R4	RK73HB1J102J	MG RESISTOR	1kΩ 1/16W J	
R5	RK73HB1J102J	MG RESISTOR	1kΩ 1/16W J	
R6	RK73HB1J102J	MG RESISTOR	1kΩ 1/16W J	
R7	RK73HB1J102J	MG RESISTOR	1kΩ 1/16W J	
R8	RK73HB1J102J	MG RESISTOR	1kΩ 1/16W J	
R10	RK73HB1J562J	MG RESISTOR	5.6kΩ 1/16W J	
R11	RK73HB1J562J	MG RESISTOR	5.6kΩ 1/16W J	
R12	RK73HB1J682J	MG RESISTOR	6.8kΩ 1/16W J	
R21	RK73HB1J222J	MG RESISTOR	2.2kΩ 1/16W J	
R22	RK73HB1J820J	MG RESISTOR	82Ω 1/16W J	
R23	RK73HB1J121J	MG RESISTOR	120Ω 1/16W J	
R26	RK73HB1J000J	MG RESISTOR	0Ω 1/16W J	
R27	RK73HB1J000J	MG RESISTOR	0Ω 1/16W J	
R28	RK73HB1J103J	MG RESISTOR	10kΩ 1/16W J	
R29	RK73HB1J103J	MG RESISTOR	10kΩ 1/16W J	
R34	RK73HB1J102J	MG RESISTOR	1kΩ 1/16W J	
R35	RK73HB1J123J	MG RESISTOR	12kΩ 1/16W J	

△ Symbol No.	Part No.	Part Name	Description	Local
R36	RK73HB1J472J	MG RESISTOR	4.7kΩ 1/16W J	
R37	RK73HB1J000J	MG RESISTOR	0Ω 1/16W J	
R38	RK73HB1J100J	MG RESISTOR	10Ω 1/16W J	
R39	RK73HB1J150J	MG RESISTOR	15Ω 1/16W J	
R40	RK73HB1J100J	MG RESISTOR	10Ω 1/16W J	
R41	RK73HB1J222J	MG RESISTOR	2.2kΩ 1/16W J	
R42	RK73HB1J102J	MG RESISTOR	1kΩ 1/16W J	
R43	RK73GB2A101J	MG RESISTOR	100Ω 1/10W J	
R45	RK73HB1J000J	MG RESISTOR	0Ω 1/16W J	
L1	LB73G0BD-005	CHIP FERRITE		
CN1	E40-6851-05	F.C.CONNECTOR		
CN2	E23-1262-05	TERMINAL		
CP1	RK74HB1J102J	NET RESISTOR	1kΩ 1/16W J	
J1	E58-0535-05	MODULAR JACK		
101	J31-0565-15	COLLAR		

MAIN UNIT

XC1-1072-70

Block No. [0][2]

△ Symbol No.	Part No.	Part Name	Description	Local
IC1	TC75S51FEF	IC		
IC2	AK1541	IC		
IC3	BD7542FVM	IC		
IC300	RA60H1317M1A	IC		
IC301	NJM2904CRB1	IC		
IC500	BU7462NUX	IC		
IC501	AK2365A	IC		
IC502	BU33TD2WNVX	IC		
IC503	BD7542FVM	IC		
IC700	TC7WPB9307FKF	IC		
IC701	TC7WH126FU-F	IC		
IC702	PCA9555AHF	IC		
IC703	TC7WT126FU-F	IC		
IC704	ADM202EARNZ	IC		
IC706	BU7462NUX	IC		
IC707	TC7S208FUJC	IC		
IC709	CMX7241	IC		
IC710	BU33TD2WNVX	IC		
IC711	BD7542FVM	IC		
IC713	SM5023CNDH-G	IC		
IC714	2F4052GT6KGF	IC		
IC717	NJM2386ADL3-09	IC		
IC718	BH33MA3WHFV	IC		
IC719	LA4631VC-XE	IC		
IC720	BU33TD2WNVX	IC		
IC721	BD450M5FP-CE2	IC		
IC722	BD4740G	IC		
IC723	XC6120N302N-G	IC		
IC724	TC7WT126FU-F	IC		
IC725	TC7WH126FU-F	IC		
IC726	BU33TD2WNVX	IC		
IC729	E25Q40A104GIP	IC		
Q3	RE1C001ZP	FET		
Q4	RE1C001UN	FET		
Q5	MCH3914-H/8/	FET		
Q6	SSM3J15FS	FET		
Q7	MCH3914-H/8/	FET		
Q9	LTA014EEBFS8	DIGI TRANSISTOR		
Q10	LSCR523EBFS8	TRANSISTOR		
Q11	2SC5108FT/Y/	TRANSISTOR		
Q13	2SC5108FT/Y/	TRANSISTOR		
Q15	LTC014EEBFS8	DIGI TRANSISTOR		
Q300	RD00HVS1-T113	FET		
Q302	SSM3J15FS	FET		
Q303	LTC014EEBFS8	DIGI TRANSISTOR		
Q304	LSCR523EBFS8	TRANSISTOR		
Q306	RE1C001UN	FET		

△ Symbol No.	Part No.	Part Name	Description	Local	△ Symbol No.	Part No.	Part Name	Description	Local
Q308	LTC014EEBFS8	DIGI TRANSISTOR			D713	1SS372F	SCHOTTKY DIODE		
Q309	SSM3J334R	FET			D717	DZ2J180M	ZENER DIODE		
Q500	2SC5108FT/Y/	TRANSISTOR			D718	RBE05SM20A	DIODE		
Q501	2SC5066F/O/	TRANSISTOR			D720	DB2S310	SCHOTTKY DIODE		
Q503	3SK318YB-E	FET			D721	DB2S310	SCHOTTKY DIODE		
Q504	KTC4075EP/YG/	TRANSISTOR			D722	DZ2J082M	ZENER DIODE		
Q505	LTC014EEBFS8	DIGI TRANSISTOR			D723	22ZR-10D	SURGE ABSORBER		
Q506	MT3S111	TRANSISTOR			D724	DSA3A1	DIODE		
Q509	LTC014TEBFS8	DIGI TRANSISTOR			D725	RB520SM-30	DIODE		
Q510	LTA044TEBFS8	TRANSISTOR			D726	1SR154-400	DIODE		
Q511	LTC014EEBFS8	DIGI TRANSISTOR							
Q700	RE1C001UN	FET			C3	CK73HBB1H102K	C CAPACITOR	1000pF 50V K	
Q701	DSC9A01/T/	TRANSISTOR			C6	CK73HBB1H102K	C CAPACITOR	1000pF 50V K	
Q702	LTC014EEBFS8	DIGI TRANSISTOR			C7	CC73HCH1H101J	C CAPACITOR	100pF 50V J	
Q703	MTM981400BF	FET			C9	CK73HB1H103K	C CAPACITOR	10000pF 50V K	
Q704	KTC4075EP/YG/	TRANSISTOR			C10	CC73HCH1H101J	C CAPACITOR	100pF 50V J	
Q705	SSM3J36TUFT	FET			C12	CC73HCH1H101J	C CAPACITOR	100pF 50V J	
Q706	LTC044TUBFS8	DIGI TRANSISTOR			C13	CC73HCH1H101J	C CAPACITOR	100pF 50V J	
Q707	LTC014EEBFS8	DIGI TRANSISTOR			C14	CC73HCH1H271J	C CAPACITOR	270pF 50V J	
Q708	LTC014EEBFS8	DIGI TRANSISTOR			C15	CK73HB1H103K	C CAPACITOR	10000pF 50V K	
Q709	2SB1694	TRANSISTOR			C16	CK73HB1H103K	C CAPACITOR	10000pF 50V K	
Q710	2SB1694	TRANSISTOR			C17	CC73HCH1H100B	C CAPACITOR	10pF 50V B	
Q711	LTC014EEBFS8	DIGI TRANSISTOR			C18	CK73HBB1A104K	C CAPACITOR	0.1uF 10V K	
Q712	KTC4075EP/YG/	TRANSISTOR			C19	CC73HCH1H101J	C CAPACITOR	100pF 50V J	
Q713	LTC014EEBFS8	DIGI TRANSISTOR			C21	CK73HBB1C473K	C CAPACITOR	0.047uF 16V K	
Q714	SSM6N37FE	FET			C22	CK73HB1H103K	C CAPACITOR	10000pF 50V K	
Q715	SSM3J36TUFT	FET			C23	CC73HCH1H100B	C CAPACITOR	10pF 50V B	
Q716	SSM3J36TUFT	FET			C24	CK73HB1H103K	C CAPACITOR	10000pF 50V K	
Q717	SSM3J36TUFT	FET			C25	CK73HB1H103K	C CAPACITOR	10000pF 50V K	
Q718	LTC014EEBFS8	DIGI TRANSISTOR			C26	CC73HCH1H101J	C CAPACITOR	100pF 50V J	
Q719	MTM981400BF	FET			C27	CC73HCH1H101J	C CAPACITOR	100pF 50V J	
Q720	LTC014EEBFS8	DIGI TRANSISTOR			C28	CK73HB1A224K	C CAPACITOR	0.22uF 10V K	
Q721	SSM3J334R	FET			C29	CK73HB1A224K	C CAPACITOR	0.22uF 10V K	
Q722	LTC014EEBFS8	DIGI TRANSISTOR			C31	CC73HCH1H271J	C CAPACITOR	270pF 50V J	
Q723	LTC014EEBFS8	DIGI TRANSISTOR			C32	CK73HB1H103K	C CAPACITOR	10000pF 50V K	
Q725	LTC014TEBFS8	DIGI TRANSISTOR			C34	CS77AAV1D1R5M	TA E CAPACITOR	1.5uF 20V M	
Q726	SSM3J36TUFT	FET			C35	CK73HBB1H102K	C CAPACITOR	1000pF 50V K	
D5	SMV1212-079LF	VARI CAP DIODE			C36	CS77AAV1V0R1M	TA E CAPACITOR	0.1uF 35V M	
D7	SMV1212-079LF	VARI CAP DIODE			C38	CK73HBB1H471K	C CAPACITOR	470pF 50V K	
D9	SMV1212-079LF	VARI CAP DIODE			C39	CK73HB1H103K	C CAPACITOR	10000pF 50V K	
D10	SMV1212-079LF	VARI CAP DIODE			C40	CK73HBB1H102K	C CAPACITOR	1000pF 50V K	
D11	SMV1212-079LF	VARI CAP DIODE			C46	CK73HBB1H471K	C CAPACITOR	470pF 50V K	
D12	SMV1212-079LF	VARI CAP DIODE			C48	CK73HBB1H471K	C CAPACITOR	470pF 50V K	
D13	BB664-02V	VARI CAP DIODE			C49	CC73HCH1H270G	C CAPACITOR	27pF 50V G	
D14	BB664-02V	VARI CAP DIODE			C50	CK73HBB1H471K	C CAPACITOR	470pF 50V K	
D15	BBY57-02V	VARI CAP DIODE			C51	CC73HCH1H150J	C CAPACITOR	15pF 50V J	
D16	RN262CS	DIODE			C52	CC73HCH1H470J	C CAPACITOR	47pF 50V J	
D17	RN262CS	DIODE			C53	CC73HCH1H330J	C CAPACITOR	33pF 50V J	
D300	DZ2J056M	ZENER DIODE			C58	CK73HBB1H102K	C CAPACITOR	1000pF 50V K	
D304	RN262CS	DIODE			C63	CC730AD1H104J	C CAPACITOR	0.1uF 50V J	
D305	L407CDB	DIODE			C64	CK73HBB1A104K	C CAPACITOR	0.1uF 10V K	
D306	L407CDB	DIODE			C67	CC73HCH1H271J	C CAPACITOR	270pF 50V J	
D307	RB706F-40	DIODE			C69	CC73HCH1H271J	C CAPACITOR	270pF 50V J	
D308	RB706F-40	DIODE			C70	CK73HBB1H102K	C CAPACITOR	1000pF 50V K	
D309	JDP2S12CR	DIODE			C73	CK73HBB1H102K	C CAPACITOR	1000pF 50V K	
D310	JDP2S12CR	DIODE			C74	CK73GB0J106K	C CAPACITOR	10uF 6.3V K	
D502	BB664-02V	VARI CAP DIODE			C75	CC73HCH1H681J	C CAPACITOR	680pF 50V J	
D503	BB664-02V	VARI CAP DIODE			C77	CC73HCH1H0R5B	C CAPACITOR	0.5pF 50V B	
D505	BBY56-02V	VARI CAP DIODE			C78	CC73HCH1H101J	C CAPACITOR	100pF 50V J	
D506	BBY56-02V	VARI CAP DIODE			C79	CC73HCH1HR75B	C CAPACITOR	0.75pF 50V B	
D507	BBY56-02V	VARI CAP DIODE			C80	CC73HCH1H151J	C CAPACITOR	150pF 50V J	
D508	BBY56-02V	VARI CAP DIODE			C81	CC73HCH1H010B	C CAPACITOR	1pF 50V B	
D510	RN262CS	DIODE			C82	CK73HBB1H102K	C CAPACITOR	1000pF 50V K	
D511	RN262CS	DIODE			C83	CK73HBB1H102K	C CAPACITOR	1000pF 50V K	
D700	DA3S101F	DIODE ARRAY			C84	CK73HBB1H102K	C CAPACITOR	1000pF 50V K	
D701	DA3S101F	DIODE ARRAY			C85	CK73HBB1H102K	C CAPACITOR	1000pF 50V K	
D702	DA3S101F	DIODE ARRAY			C86	CC73HCH1H070B	C CAPACITOR	7pF 50V B	
D703	DB2S310	SCHOTTKY DIODE			C87	CK73HBB1H102K	C CAPACITOR	1000pF 50V K	
D704	DA3S101F	DIODE ARRAY			C88	CC73HCH1H060B	C CAPACITOR	6pF 50V B	
D705	DA3S101F	DIODE ARRAY			C89	CC73HCH1H080B	C CAPACITOR	8pF 50V B	
D706	DA3S101F	DIODE ARRAY			C90	CK73HBB1H102K	C CAPACITOR	1000pF 50V K	
D707	DA3S101F	DIODE ARRAY			C91	CC73HCH1H080B	C CAPACITOR	8pF 50V B	
D708	DA3S101F	DIODE ARRAY			C92	CC73HCH1H070B	C CAPACITOR	7pF 50V B	
D709	DA3S101F	DIODE ARRAY			C93	CC73HCH1H090B	C CAPACITOR	9pF 50V B	
D710	DA3S101F	DIODE ARRAY			C95	CC73HCH1H010B	C CAPACITOR	1pF 50V B	
D711	DA3S101F	DIODE ARRAY			C96	CC73HCH1H010B	C CAPACITOR	1pF 50V B	
D712	DA3S103E	DIODE ARRAY			C97	CS77PBQ1C100M	TA E CAPACITOR	10uF 16V M	
					C99	CK73HBB1H102K	C CAPACITOR	1000pF 50V K	

△ Symbol No.	Part No.	Part Name	Description	Local	△ Symbol No.	Part No.	Part Name	Description	Local
C100	CK73HBB1H102K	C CAPACITOR	1000pF 50V K		C391	CK73HBB1H102K	C CAPACITOR	1000pF 50V K	
C101	CC73HCH1H180G	C CAPACITOR	18pF 50V G		C392	CK73HBB1H102K	C CAPACITOR	1000pF 50V K	
C102	CC73HCH1H270G	C CAPACITOR	27pF 50V G		C393	CK73GBB1H102K	C CAPACITOR	1000pF 50V K	
C103	CC73HCH1H150G	C CAPACITOR	15pF 50V G		C394	CK73HB1H103K	C CAPACITOR	10000pF 50V K	
C104	CC73HCH1H150G	C CAPACITOR	15pF 50V G		C395	CC73HCH1H101J	C CAPACITOR	100pF 50V J	
C108	CK73HBB1H102K	C CAPACITOR	1000pF 50V K		C500	CC73HCH1H271J	C CAPACITOR	270pF 50V J	
C111	CK73HBB1H102K	C CAPACITOR	1000pF 50V K		C502	CK73HBB1A104K	C CAPACITOR	0.1uF 10V K	
C112	CC73HCH1H180G	C CAPACITOR	18pF 50V G		C503	CC73HCH1H271J	C CAPACITOR	270pF 50V J	
C113	CK73HBB1H102K	C CAPACITOR	1000pF 50V K		C504	CK73HBB1A104K	C CAPACITOR	0.1uF 10V K	
C115	CK73HBB1H102K	C CAPACITOR	1000pF 50V K		C505	CC73HCH1H560J	C CAPACITOR	56pF 50V J	
C117	CK73HBB1H102K	C CAPACITOR	1000pF 50V K		C506	CK73HBB1H152K	C CAPACITOR	1500pF 50V K	
C300	CK73HBB1H102K	C CAPACITOR	1000pF 50V K		C507	CK73HBB1A104K	C CAPACITOR	0.1uF 10V K	
C301	CK73HBB1H102K	C CAPACITOR	1000pF 50V K		C508	CC73HCH1H101J	C CAPACITOR	100pF 50V J	
C302	CC73HCH1H080B	C CAPACITOR	8pF 50V B		C509	CK73HB1H182K	C CAPACITOR	1800pF 50V K	
C303	CC73HCH1H070B	C CAPACITOR	7pF 50V B		C510	CC73HCH1H330J	C CAPACITOR	33pF 50V J	
C304	CC73HCH1H120G	C CAPACITOR	12pF 50V G		C511	CK73HB1H103K	C CAPACITOR	10000pF 50V K	
C305	CK73HBB1H102K	C CAPACITOR	1000pF 50V K		C512	CC73HCH1H180J	C CAPACITOR	18pF 50V J	
C306	CK73HBB1H471K	C CAPACITOR	470pF 50V K		C513	CC73HCH1H820J	C CAPACITOR	82pF 50V J	
C309	CC73HCH1H130J	C CAPACITOR	13pF 50V J		C514	CK73HB1H103K	C CAPACITOR	10000pF 50V K	
C310	CK73HBB1H102K	C CAPACITOR	1000pF 50V K		C515	CK73HBB1A104K	C CAPACITOR	0.1uF 10V K	
C311	CC73HCH1H2R5B	C CAPACITOR	2.5pF 50V B		C516	CK73HBB1H102K	C CAPACITOR	1000pF 50V K	
C312	CK73HBB1E223K	C CAPACITOR	0.022uF 25V K		C517	CC73HCH1H390J	C CAPACITOR	39pF 50V J	
C313	CC73GCH1H151J	C CAPACITOR	150pF 50V J		C518	CK73HBB1C333K	C CAPACITOR	0.033uF 16V K	
C314	CS77MA1A6R8M	TA E CAPACITOR	6.8uF 10V M		C519	CC73HCH1H820J	C CAPACITOR	82pF 50V J	
C315	CK73HBB1H471K	C CAPACITOR	470pF 50V K		C520	CK73GB0J106K	C CAPACITOR	10uF 6.3V K	
C316	CK73GBB1H102K	C CAPACITOR	1000pF 50V K		C521	CK73HBB1A104K	C CAPACITOR	0.1uF 10V K	
C317	CC73HCH1H151J	C CAPACITOR	150pF 50V J		C522	CK73HB1A224K	C CAPACITOR	0.22uF 10V K	
C321	CC73HCH1H220J	C CAPACITOR	22pF 50V J		C524	CK73HB1H103K	C CAPACITOR	10000pF 50V K	
C322	CK73HBB1H471K	C CAPACITOR	470pF 50V K		C525	CC73HCH1H271J	C CAPACITOR	270pF 50V J	
C323	CC73HCH1H221J	C CAPACITOR	220pF 50V J		C527	CK73HB1H103K	C CAPACITOR	10000pF 50V K	
C325	CC73HCH1H220J	C CAPACITOR	22pF 50V J		C528	CC73HCH1H101J	C CAPACITOR	100pF 50V J	
C326	CK73HBB1H102K	C CAPACITOR	1000pF 50V K		C529	CC73HCH1H101J	C CAPACITOR	100pF 50V J	
C327	CC73HCH1H101J	C CAPACITOR	100pF 50V J		C530	CK73HB1A224K	C CAPACITOR	0.22uF 10V K	
C328	CC73HCH1H101J	C CAPACITOR	100pF 50V J		C531	CK73GB0J106K	C CAPACITOR	10uF 6.3V K	
C330	CK73HBB1H102K	C CAPACITOR	1000pF 50V K		C532	CK73HBB1A104K	C CAPACITOR	0.1uF 10V K	
C333	CK73HBB1H471K	C CAPACITOR	470pF 50V K		C533	CK73HBB1H471K	C CAPACITOR	470pF 50V K	
C334	CC73HCH1H470J	C CAPACITOR	47pF 50V J		C534	CK73HB1A105K	C CAPACITOR	1uF 10V K	
C335	CC73HCH1H220J	C CAPACITOR	22pF 50V J		C535	CK73HB1A105K	C CAPACITOR	1uF 10V K	
C336	C93-1859-05	C CAPACITOR	9pF 250V		C536	CK73GBB1A105K	C CAPACITOR	1uF 10V K	
C337	CK73HBB1H102K	C CAPACITOR	1000pF 50V K		C537	CK73HB1H103K	C CAPACITOR	10000pF 50V K	
C339	CK73HBB1C104K	C CAPACITOR	0.1uF 16V K		C538	CK73HBB1H471K	C CAPACITOR	470pF 50V K	
C340	CK73HBB1H102K	C CAPACITOR	1000pF 50V K		C539	CK73HB1H103K	C CAPACITOR	10000pF 50V K	
C343	CK73HBB1H102K	C CAPACITOR	1000pF 50V K		C540	CK73HB1A105K	C CAPACITOR	1uF 10V K	
C344	CK73HBB1H102K	C CAPACITOR	1000pF 50V K		C541	CC73HCH1H040B	C CAPACITOR	4pF 50V B	
C346	CK73HB1H103K	C CAPACITOR	10000pF 50V K		C543	CC73HCH1H180G	C CAPACITOR	18pF 50V G	
C347	CK73HBB1H102K	C CAPACITOR	1000pF 50V K		C545	CC73HCH1H040B	C CAPACITOR	4pF 50V B	
C348	CK73HBB1H102K	C CAPACITOR	1000pF 50V K		C549	CK73HBB1C104K	C CAPACITOR	0.1uF 16V K	
C349	CK73HB1H103K	C CAPACITOR	10000pF 50V K		C550	CK73HB1H103K	C CAPACITOR	10000pF 50V K	
C350	CK73HBB1H102K	C CAPACITOR	1000pF 50V K		C551	CK73HBB1H102K	C CAPACITOR	1000pF 50V K	
C351	CC73GCH1H120G	C CAPACITOR	12pF 50V G		C552	CC73HCH1H120G	C CAPACITOR	12pF 50V G	
C352	C93-1862-05	C CAPACITOR	12pF 250V		C553	CK73HB1H103K	C CAPACITOR	10000pF 50V K	
C353	C93-1900-05	C CAPACITOR	1000pF 630V		C558	CK73HBB1H102K	C CAPACITOR	1000pF 50V K	
C354	C93-1900-05	C CAPACITOR	1000pF 630V		C559	CK73HB1H103K	C CAPACITOR	10000pF 50V K	
C355	CC73GCH1H020B	C CAPACITOR	2pF 50V B		C560	CK73HBB1H102K	C CAPACITOR	1000pF 50V K	
C356	CC73GCH1H430J	C CAPACITOR	43pF 50V J		C561	CK73HBB1H102K	C CAPACITOR	1000pF 50V K	
C357	C93-1863-05	C CAPACITOR	15pF 250V		C562	CK73HBB1H102K	C CAPACITOR	1000pF 50V K	
C358	CK73HBB1H102K	C CAPACITOR	1000pF 50V K		C564	CC73HCH1H040B	C CAPACITOR	4pF 50V B	
C359	C93-1838-05	C CAPACITOR	2pF 250V		C566	CK73HBB1H102K	C CAPACITOR	1000pF 50V K	
C360	CM73F2H200J	MICA CAPACITOR	20pF 500V J		C567	CC73HCH1H150G	C CAPACITOR	15pF 50V G	
C361	C93-1838-05	C CAPACITOR	2pF 250V		C570	CK73HBB1H102K	C CAPACITOR	1000pF 50V K	
C362	CK73HBB1H102K	C CAPACITOR	1000pF 50V K		C572	CK73HBB1H102K	C CAPACITOR	1000pF 50V K	
C363	C93-1846-05	C CAPACITOR	4pF 250V		C576	CK73HBB1H102K	C CAPACITOR	1000pF 50V K	
C364	C93-1863-05	C CAPACITOR	15pF 250V		C577	CC73HCH1H050B	C CAPACITOR	5pF 50V B	
C365	CK73HBB1H102K	C CAPACITOR	1000pF 50V K		C578	CK73HBB1H102K	C CAPACITOR	1000pF 50V K	
C366	CK73HBB1C104K	C CAPACITOR	0.1uF 16V K		C579	CK73HBB1C104K	C CAPACITOR	0.1uF 16V K	
C367	CK73HBB1H102K	C CAPACITOR	1000pF 50V K		C580	CK73HBB1H471K	C CAPACITOR	470pF 50V K	
C368	CK73HB1H103K	C CAPACITOR	10000pF 50V K		C581	CK73HB1C105K	C CAPACITOR	1.0uF 16V K	
C369	CK73HBB1H102K	C CAPACITOR	1000pF 50V K		C584	CK73HBB1H102K	C CAPACITOR	1000pF 50V K	
C370	CC73HCH1H100B	C CAPACITOR	10pF 50V B		C585	CC73HCH1H120G	C CAPACITOR	12pF 50V G	
C371	CC73HCH1H060B	C CAPACITOR	6pF 50V B		C588	CC73HCH1H470G	C CAPACITOR	47pF 50V G	
C372	CC73HCH1H150G	C CAPACITOR	15pF 50V G		C590	CC73HCH1H100B	C CAPACITOR	10pF 50V B	
C374	CC73HCH1H030B	C CAPACITOR	3pF 50V B		C594	CK73HBB1H102K	C CAPACITOR	1000pF 50V K	
C375	CC73HCH1H100B	C CAPACITOR	10pF 50V B		C597	CC73HCH1H270G	C CAPACITOR	27pF 50V G	
C376	CC73HCH1H040B	C CAPACITOR	4pF 50V B		C599	CC73HCH1H060B	C CAPACITOR	6pF 50V B	
C377	CK73HBB1H102K	C CAPACITOR	1000pF 50V K		C600	CC73HCH1H270G	C CAPACITOR	27pF 50V G	
C378	CK73HBB1H471K	C CAPACITOR	470pF 50V K		C601	CK73HBB1H102K	C CAPACITOR	1000pF 50V K	
C384	CK73HB1C105K	C CAPACITOR	1.0uF 16V K		C603	CC73HCH1H150G	C CAPACITOR	15pF 50V G	
C390	CC73HCH1H101J	C CAPACITOR	100pF 50V J		C606	CK73HBB1H102K	C CAPACITOR	1000pF 50V K	

△ Symbol No.	Part No.	Part Name	Description	Local	△ Symbol No.	Part No.	Part Name	Description	Local
C610	CK73HBB1H103K	C CAPACITOR	10000pF 50V K		C787	CK73HBB1H471K	C CAPACITOR	470pF 50V K	
C614	CC73HCH1H060B	C CAPACITOR	6pF 50V B		C789	CK73HXR0J105K	C CAPACITOR	1uF 6.3V K	
C615	CC73HCH1H060B	C CAPACITOR	6pF 50V B		C790	CK73HBB1H471K	C CAPACITOR	470pF 50V K	
C616	CK73HBB1A104K	C CAPACITOR	0.1uF 10V K		C791	CK73HBB1H471K	C CAPACITOR	470pF 50V K	
C617	CK73HBB1C104K	C CAPACITOR	0.1uF 16V K		C793	CK73HXR0J105K	C CAPACITOR	1uF 6.3V K	
C618	CK73HBB1H102K	C CAPACITOR	1000pF 50V K		C794	CK73HBB1A104K	C CAPACITOR	0.1uF 10V K	
C619	CC73HCH1H560G	C CAPACITOR	56pF 50V G		C796	CK73EXR1A106K	C CAPACITOR	10uF 10V K	
C700	CC73HCH1H101J	C CAPACITOR	100pF 50V J		C798	CK73HXR0J105K	C CAPACITOR	1uF 6.3V K	
C701	CK73HBB1H471K	C CAPACITOR	470pF 50V K		C800	CK73HBB1C104K	C CAPACITOR	0.1uF 16V K	
C702	CC73HCH1H101J	C CAPACITOR	100pF 50V J		C801	CC73HCH1H471J	C CAPACITOR	470pF 50V J	
C703	CK73HB1H103K	C CAPACITOR	10000pF 50V K		C802	CK73EXR1A476K	C CAPACITOR	47uF 10V K	
C704	CK73HBB1H471K	C CAPACITOR	470pF 50V K		C803	CC73HCH1H101J	C CAPACITOR	100pF 50V J	
C705	CK73HBB1H102K	C CAPACITOR	1000pF 50V K		C805	CK73HBB1A683K	C CAPACITOR	0.068uF 10V K	
C706	CK73HBB1H471K	C CAPACITOR	470pF 50V K		C806	CK73HBB0J475M	C CAPACITOR	4.7uF 6.3V M	
C707	CC73HCH1H101J	C CAPACITOR	100pF 50V J		C807	CC73HCH1H101J	C CAPACITOR	100pF 50V J	
C708	CK73HBB1H471K	C CAPACITOR	470pF 50V K		C809	CC73HCH1H271J	C CAPACITOR	270pF 50V J	
C709	CK73HBB1H471K	C CAPACITOR	470pF 50V K		C810	CK73GB0J106K	C CAPACITOR	10uF 6.3V K	
C710	CK73HB1H103K	C CAPACITOR	10000pF 50V K		C811	CK73HBB1H102K	C CAPACITOR	1000pF 50V K	
C711	CC73HCH1H101J	C CAPACITOR	100pF 50V J		C812	CK73HB1C105K	C CAPACITOR	1.0uF 16V K	
C712	CK73HBB1H471K	C CAPACITOR	470pF 50V K		C813	CK73HB1C105K	C CAPACITOR	1.0uF 16V K	
C713	CC73HCH1H101J	C CAPACITOR	100pF 50V J		C815	CK73HB1H103K	C CAPACITOR	10000pF 50V K	
C714	CK73HBB1A104K	C CAPACITOR	0.1uF 10V K		C816	CK73GBB1A105K	C CAPACITOR	1uF 10V K	
C715	CK73HBB1H471K	C CAPACITOR	470pF 50V K		C817	CK73GB0J106K	C CAPACITOR	10uF 6.3V K	
C716	CK73HBB1H471K	C CAPACITOR	470pF 50V K		C818	CK73HBB1H102K	C CAPACITOR	1000pF 50V K	
C717	CC73HCH1H101J	C CAPACITOR	100pF 50V J		C819	CK73HBB1A683K	C CAPACITOR	0.068uF 10V K	
C718	CK73HBB1H471K	C CAPACITOR	470pF 50V K		C820	CK73HB1H103K	C CAPACITOR	10000pF 50V K	
C719	CC73HCH1H101J	C CAPACITOR	100pF 50V J		C825	CK73HB1H103K	C CAPACITOR	10000pF 50V K	
C721	CK73HB1H103K	C CAPACITOR	10000pF 50V K		C829	CK73EXR1A476K	C CAPACITOR	47uF 10V K	
C722	CK73HBB1H471K	C CAPACITOR	470pF 50V K		C831	CK73HB1H103K	C CAPACITOR	10000pF 50V K	
C723	CK73HB1H103K	C CAPACITOR	10000pF 50V K		C832	CK73HBB1A104K	C CAPACITOR	0.1uF 10V K	
C731	CC73HCH1H101J	C CAPACITOR	100pF 50V J		C841	CK73HBB1A104K	C CAPACITOR	0.1uF 10V K	
C732	CK73HBB1H102K	C CAPACITOR	1000pF 50V K		C842	CK73HBB1A104K	C CAPACITOR	0.1uF 10V K	
C733	CC73HCH1H101J	C CAPACITOR	100pF 50V J		C843	CK73HBB1A104K	C CAPACITOR	0.1uF 10V K	
C734	CK73HB1H103K	C CAPACITOR	10000pF 50V K		C844	CK73HBB1H102K	C CAPACITOR	1000pF 50V K	
C735	CK73HB1H103K	C CAPACITOR	10000pF 50V K		C845	CK73HBB1A104K	C CAPACITOR	0.1uF 10V K	
C736	CK73HB1C105K	C CAPACITOR	1.0uF 16V K		C846	CK73HBB1H102K	C CAPACITOR	1000pF 50V K	
C737	CK73HB1C105K	C CAPACITOR	1.0uF 16V K		C847	CK73HBB1A104K	C CAPACITOR	0.1uF 10V K	
C738	CK73HB1C105K	C CAPACITOR	1.0uF 16V K		C848	CK73HBB1H102K	C CAPACITOR	1000pF 50V K	
C740	CK73HB1H103K	C CAPACITOR	10000pF 50V K		C849	CK73HBB1H102K	C CAPACITOR	1000pF 50V K	
C741	CK73HBB1H471K	C CAPACITOR	470pF 50V K		C850	CK73HBB1H102K	C CAPACITOR	1000pF 50V K	
C742	CK73HBB1C104K	C CAPACITOR	0.1uF 16V K		C851	CK73HB0J225K	C CAPACITOR	2.2uF 6.3V K	
C743	CK73HB1C105K	C CAPACITOR	1.0uF 16V K		C852	CK73HBB1H471K	C CAPACITOR	470pF 50V K	
C744	CK73HBB1A104K	C CAPACITOR	0.1uF 10V K		C853	CK73HB1H103K	C CAPACITOR	10000pF 50V K	
C745	CK73HBB1H102K	C CAPACITOR	1000pF 50V K		C855	CK73HBB1H471K	C CAPACITOR	470pF 50V K	
C746	CK73HBB1A104K	C CAPACITOR	0.1uF 10V K		C856	CK73HXR0J105K	C CAPACITOR	1uF 6.3V K	
C747	CK73HB1C105K	C CAPACITOR	1.0uF 16V K		C857	CK73HB1H103K	C CAPACITOR	10000pF 50V K	
C748	CK73HB1C105K	C CAPACITOR	1.0uF 16V K		C858	CK73HXR0J105K	C CAPACITOR	1uF 6.3V K	
C749	CK73HB1C105K	C CAPACITOR	1.0uF 16V K		C860	CK73HBB1H102K	C CAPACITOR	1000pF 50V K	
C750	CK73HB1C105K	C CAPACITOR	1.0uF 16V K		C861	CK73HBB1A104K	C CAPACITOR	0.1uF 10V K	
C751	CK73GB0J106K	C CAPACITOR	10uF 6.3V K		C862	CK73HBB1H102K	C CAPACITOR	1000pF 50V K	
C753	CC73HCH1H390J	C CAPACITOR	39pF 50V J		C863	CK73HBB1H102K	C CAPACITOR	1000pF 50V K	
C754	CK73HXR0J105K	C CAPACITOR	1uF 6.3V K		C865	CK73HBB1H102K	C CAPACITOR	1000pF 50V K	
C755	CK73HXR0J105K	C CAPACITOR	1uF 6.3V K		C867	CK73HBB1A104K	C CAPACITOR	0.1uF 10V K	
C758	CK73HBB1A104K	C CAPACITOR	0.1uF 10V K		C868	CK73HBB1A104K	C CAPACITOR	0.1uF 10V K	
C759	CK73HBB1A104K	C CAPACITOR	0.1uF 10V K		C869	CK73HBB1H102K	C CAPACITOR	1000pF 50V K	
C760	CK73HXR0J105K	C CAPACITOR	1uF 6.3V K		C870	CK73HB1H103K	C CAPACITOR	10000pF 50V K	
C761	CK73GXR0J475K	C CAPACITOR	4.7uF 6.3V K		C874	CK73HBB1A104K	C CAPACITOR	0.1uF 10V K	
C764	CK73HBB1C333K	C CAPACITOR	0.033uF 16V K		C876	CC73HCH1H101J	C CAPACITOR	100pF 50V J	
C765	CC73HCH1H101J	C CAPACITOR	100pF 50V J		C877	CE32CB1C470M	E CAPACITOR	47uF 16V M	
C766	CC73HCH1H101J	C CAPACITOR	100pF 50V J		C878	CK73HB0J225K	C CAPACITOR	2.2uF 6.3V K	
C767	CC73HCH1H101J	C CAPACITOR	100pF 50V J		C879	CK73HBB1A104K	C CAPACITOR	0.1uF 10V K	
C768	CC73HCH1H101J	C CAPACITOR	100pF 50V J		C880	CK73HBB1H102K	C CAPACITOR	1000pF 50V K	
C769	CC73HCH1H101J	C CAPACITOR	100pF 50V J		C881	CK73HBB1A104K	C CAPACITOR	0.1uF 10V K	
C770	CC73HCH1H101J	C CAPACITOR	100pF 50V J		C882	CK73HBB1A104K	C CAPACITOR	0.1uF 10V K	
C771	CC73HCH1H101J	C CAPACITOR	100pF 50V J		C883	CK73HBB1A104K	C CAPACITOR	0.1uF 10V K	
C772	CC73HCH1H101J	C CAPACITOR	100pF 50V J		C884	CK73HBB1H102K	C CAPACITOR	1000pF 50V K	
C773	CC73HCH1H101J	C CAPACITOR	100pF 50V J		C885	CK73HBB1H102K	C CAPACITOR	1000pF 50V K	
C774	CK73HBB1E223K	C CAPACITOR	0.022uF 25V K		C886	CK73HBB1H102K	C CAPACITOR	1000pF 50V K	
C775	CC73HCH1H101J	C CAPACITOR	100pF 50V J		C887	CK73HBB1H102K	C CAPACITOR	1000pF 50V K	
C776	CK73HBB1C104K	C CAPACITOR	0.1uF 16V K		C889	CK73GBB1H104K	C CAPACITOR	0.1uF 50V K	
C779	CK73HBB1A104K	C CAPACITOR	0.1uF 10V K		C890	CK73HBB1C104K	C CAPACITOR	0.1uF 16V K	
C780	CK73HXR0J105K	C CAPACITOR	1uF 6.3V K		C892	CK73HB1H103K	C CAPACITOR	10000pF 50V K	
C781	CK73HBB1A104K	C CAPACITOR	0.1uF 10V K		C894	CC73HCH1H470J	C CAPACITOR	47pF 50V J	
C782	CK73HBB1H332K	C CAPACITOR	3300pF 50V K		C896	CK73HB1H103K	C CAPACITOR	10000pF 50V K	
C783	CK73HBB1H332K	C CAPACITOR	3300pF 50V K		C897	CK73HB1C105K	C CAPACITOR	1.0uF 16V K	
C784	CK73GB0J106K	C CAPACITOR	10uF 6.3V K		C898	CK73HBB1A104K	C CAPACITOR	0.1uF 10V K	
C785	CK73HXR0J105K	C CAPACITOR	1uF 6.3V K		C899	CK73HBB1C104K	C CAPACITOR	0.1uF 16V K	
C786	CK73HBB1A104K	C CAPACITOR	0.1uF 10V K		C900	CK73HB1C105K	C CAPACITOR	1.0uF 16V K	

△ Symbol No.	Part No.	Part Name	Description	Local	△ Symbol No.	Part No.	Part Name	Description	Local
C902	CK73HBB1A104K	C CAPACITOR	0.1uF 10V K		R11	RK73HB1J000J	MG RESISTOR	0Ω 1/16W J	
C904	CK73HB1H103K	C CAPACITOR	10000pF 50V K		R13	RK73HB1J000J	MG RESISTOR	0Ω 1/16W J	
C905	CK73HB1H103K	C CAPACITOR	10000pF 50V K		R14	RK73HB1J102J	MG RESISTOR	1kΩ 1/16W J	
C908	CK73HBB1A104K	C CAPACITOR	0.1uF 10V K		R15	RK73HB1J000J	MG RESISTOR	0Ω 1/16W J	
C909	CK73HBB1A104K	C CAPACITOR	0.1uF 10V K		R16	RK73HB1J683J	MG RESISTOR	68kΩ 1/16W J	
C910	CK73HBB1C104K	C CAPACITOR	0.1uF 16V K		R17	RK73HB1J331J	MG RESISTOR	330Ω 1/16W J	
C911	CK73GBB1C224K	C CAPACITOR	0.22uF 16V K		R19	RK73HB1J122J	MG RESISTOR	1.2kΩ 1/16W J	
C912	CK73HB1H103K	C CAPACITOR	10000pF 50V K		R20	RK73HB1J273J	MG RESISTOR	27kΩ 1/16W J	
C913	CK73GBB1C224K	C CAPACITOR	0.22uF 16V K		R21	RK73HB1J100J	MG RESISTOR	10Ω 1/16W J	
C914	CE32DT1E331M	E CAPACITOR	330uF 25V M		R22	RK73HB1J103J	MG RESISTOR	10kΩ 1/16W J	
C916	CK73HBB1H102K	C CAPACITOR	1000pF 50V K		R23	RK73HB1J100J	MG RESISTOR	10Ω 1/16W J	
C920	CC73HCH1H101J	C CAPACITOR	100pF 50V J		R24	RK73HB1J000J	MG RESISTOR	0Ω 1/16W J	
C921	CK73HBB1H102K	C CAPACITOR	1000pF 50V K		R25	RK73HB1J000J	MG RESISTOR	0Ω 1/16W J	
C922	CK73HBB1H102K	C CAPACITOR	1000pF 50V K		R26	RK73HB1J182J	MG RESISTOR	1.8kΩ 1/16W J	
C923	CK73HB0J225K	C CAPACITOR	2.2uF 6.3V K		R27	RK73HB1J683J	MG RESISTOR	68kΩ 1/16W J	
C924	CK73GBB1A105K	C CAPACITOR	1uF 10V K		R28	RK73HB1J151J	MG RESISTOR	150Ω 1/16W J	
C925	CK73FXR1E475K	C CAPACITOR	4.7uF 25V K		R29	RK73HB1J000J	MG RESISTOR	0Ω 1/16W J	
C926	CC73HCH1H101J	C CAPACITOR	100pF 50V J		R30	RK73GB2A000J	MG RESISTOR	0Ω 1/10W J	
C927	CK73FB1C106K	C CAPACITOR	10uF 16V K		R31	RK73HB1J000J	MG RESISTOR	0Ω 1/16W J	
C928	CE32CL1C470M	E CAPACITOR	47uF 16V M		R33	RK73HB1J000J	MG RESISTOR	0Ω 1/16W J	
C929	CK73EXR1A476K	C CAPACITOR	47uF 10V K		R34	RK73HB1J000J	MG RESISTOR	0Ω 1/16W J	
C930	CC73HCH1H101J	C CAPACITOR	100pF 50V J		R35	RK73HB1J103J	MG RESISTOR	10kΩ 1/16W J	
C931	CK73HB1H103K	C CAPACITOR	10000pF 50V K		R36	RK73HB1J683J	MG RESISTOR	68kΩ 1/16W J	
C933	CE32DT1E331M	E CAPACITOR	330uF 25V M		R37	RK73HB1J683J	MG RESISTOR	68kΩ 1/16W J	
C935	CK73HBB1H102K	C CAPACITOR	1000pF 50V K		R39	RK73HB1J000J	MG RESISTOR	0Ω 1/16W J	
C936	CE32DT1E331M	E CAPACITOR	330uF 25V M		R40	RK73HB1J102J	MG RESISTOR	1kΩ 1/16W J	
C937	CK73HBB1H102K	C CAPACITOR	1000pF 50V K		R41	RK73HB1J470J	MG RESISTOR	47Ω 1/16W J	
C938	CK73GBB1A105K	C CAPACITOR	1uF 10V K		R42	RK73HB1J223J	MG RESISTOR	22kΩ 1/16W J	
C939	CK73HB1H103K	C CAPACITOR	10000pF 50V K		R45	RK73HB1J153J	MG RESISTOR	15kΩ 1/16W J	
C940	CK73HBB1H102K	C CAPACITOR	1000pF 50V K		R47	RK73HB1J105J	MG RESISTOR	1MΩ 1/16W J	
C942	CK73HBB1H102K	C CAPACITOR	1000pF 50V K		R48	RK73HB1J000J	MG RESISTOR	0Ω 1/16W J	
C943	CC73HCH1H101J	C CAPACITOR	100pF 50V J		R50	RK73HB1J271J	MG RESISTOR	270Ω 1/16W J	
C944	CK73GB1H105K	C CAPACITOR	1uF 50V K		R51	RK73HB1J271J	MG RESISTOR	270Ω 1/16W J	
C945	CK73HBB1A104K	C CAPACITOR	0.1uF 10V K		R52	RK73FB2B102J	MG RESISTOR	1kΩ 1/8W J	
C947	CC73HCH1H220J	C CAPACITOR	22pF 50V J		R53	RK73HB1J180J	MG RESISTOR	18Ω 1/16W J	
C948	CK73HBB1H332K	C CAPACITOR	3300pF 50V K		R54	RK73HB1J103J	MG RESISTOR	10kΩ 1/16W J	
C950	CC73HCH1H470J	C CAPACITOR	47pF 50V J		R55	RK73HB1J000J	MG RESISTOR	0Ω 1/16W J	
C951	CC73HCH1H221J	C CAPACITOR	220pF 50V J		R60	RK73HB1J124J	MG RESISTOR	120kΩ 1/16W J	
C952	CC73HCH1H101J	C CAPACITOR	100pF 50V J		R61	RK73HB1J000J	MG RESISTOR	0Ω 1/16W J	
C953	CC73FCH1H101J	C CAPACITOR	100pF 50V J		R62	RK73HB1J473J	MG RESISTOR	47kΩ 1/16W J	
C954	CK73HBB1H471K	C CAPACITOR	470pF 50V K		R63	RN73H0AJ471D	MF RESISTOR	470Ω D	
C955	CK73HBB1H102K	C CAPACITOR	1000pF 50V K		R64	RN73H0AJ391D	MF RESISTOR	390Ω D	
C956	CC73HCH1H220J	C CAPACITOR	22pF 50V J		R65	RK73HB1J104J	MG RESISTOR	100kΩ 1/16W J	
C957	CC73HCH1H220J	C CAPACITOR	22pF 50V J		R66	RK73HB1J472J	MG RESISTOR	4.7kΩ 1/16W J	
C958	CK73HBB1H471K	C CAPACITOR	470pF 50V K		R67	RN73H0AJ271D	MF RESISTOR	270Ω D	
C960	CC73HCH1H470J	C CAPACITOR	47pF 50V J		R68	RN73H0AJ181D	MF RESISTOR	180Ω D	
C961	CK73HB1H103K	C CAPACITOR	10000pF 50V K		R69	RK73HB1J102J	MG RESISTOR	1kΩ 1/16W J	
C962	CC73HCH1H220J	C CAPACITOR	22pF 50V J		R72	RK73HB1J154J	MG RESISTOR	150kΩ 1/16W J	
C963	CK73HBB1H102K	C CAPACITOR	1000pF 50V K		R73	RK73HB1J000J	MG RESISTOR	0Ω 1/16W J	
C965	CK73HBB1H102K	C CAPACITOR	1000pF 50V K		R74	RK73HB1J101J	MG RESISTOR	100Ω 1/16W J	
C966	CK73HBB1H471K	C CAPACITOR	470pF 50V K		R75	RK73HB1J101J	MG RESISTOR	100Ω 1/16W J	
C967	CK73HBB1H102K	C CAPACITOR	1000pF 50V K		R76	RK73HB1J000J	MG RESISTOR	0Ω 1/16W J	
C969	CK73HBB1H471K	C CAPACITOR	470pF 50V K		R78	RK73HB1J121J	MG RESISTOR	120Ω 1/16W J	
C970	CK73HBB1H102K	C CAPACITOR	1000pF 50V K		R79	RK73HB1J121J	MG RESISTOR	120Ω 1/16W J	
C971	CC73HCH1H221J	C CAPACITOR	220pF 50V J		R80	RK73HB1J560J	MG RESISTOR	56Ω 1/16W J	
C973	CK73HBB1A104K	C CAPACITOR	0.1uF 10V K		R81	RK73HB1J222J	MG RESISTOR	2.2kΩ 1/16W J	
C974	CK73HBB1A104K	C CAPACITOR	0.1uF 10V K		R82	RK73HB1J821J	MG RESISTOR	820Ω 1/16W J	
C975	CE32DT1E331M	E CAPACITOR	330uF 25V M		R83	RK73HB1J821J	MG RESISTOR	820Ω 1/16W J	
C976	CK73HB1H103K	C CAPACITOR	10000pF 50V K		R84	RK73HB1J5R6J	MG RESISTOR	5.6Ω 1/16W J	
C977	CK73GB1H105K	C CAPACITOR	1uF 50V K		R88	RK73HB1J000J	MG RESISTOR	0Ω 1/16W J	
C979	CK73HBB1A104K	C CAPACITOR	0.1uF 10V K		R89	RK73HB1J333J	MG RESISTOR	33kΩ 1/16W J	
C980	CK73HB1C105K	C CAPACITOR	1.0uF 16V K		R90	RK73HB1J121J	MG RESISTOR	120Ω 1/16W J	
C981	CK73HBB1H102K	C CAPACITOR	1000pF 50V K		R91	RK73HB1J561J	MG RESISTOR	560Ω 1/16W J	
C982	CK73HB1C105K	C CAPACITOR	1.0uF 16V K		R92	RK73HB1J103J	MG RESISTOR	10kΩ 1/16W J	
C983	CK73HBB1H102K	C CAPACITOR	1000pF 50V K		R93	RK73HB1J101J	MG RESISTOR	100Ω 1/16W J	
C987	CK73HBB1H102K	C CAPACITOR	1000pF 50V K		R300	RK73HB1J472J	MG RESISTOR	4.7kΩ 1/16W J	
C988	CK73EXR1A476K	C CAPACITOR	47uF 10V K		R302	RK73HB1J472J	MG RESISTOR	4.7kΩ 1/16W J	
C989	CK73EXR1A476K	C CAPACITOR	47uF 10V K		R303	RK73HB1J103J	MG RESISTOR	10kΩ 1/16W J	
C991	CK73HBB1H102K	C CAPACITOR	1000pF 50V K		R308	RK73GB2A391J	MG RESISTOR	390Ω 1/10W J	
C994	CK73HBB1H102K	C CAPACITOR	1000pF 50V K		R310	RK73GB2A120J	MG RESISTOR	12Ω 1/10W J	
					R312	RK73GB2A391J	MG RESISTOR	390Ω 1/10W J	
R2	RK73HB1J223J	MG RESISTOR	22kΩ 1/16W J		R313	RK73FB2B102J	MG RESISTOR	1kΩ 1/8W J	
R4	RK73HB1J223J	MG RESISTOR	22kΩ 1/16W J		R314	RK73HB1J221J	MG RESISTOR	220Ω 1/16W J	
R5	RK73HB1J100J	MG RESISTOR	10Ω 1/16W J		R316	RK73HB1J473J	MG RESISTOR	47kΩ 1/16W J	
R7	RK73HB1J000J	MG RESISTOR	0Ω 1/16W J		R317	RK73HB1J000J	MG RESISTOR	0Ω 1/16W J	
R8	RK73HB1J101J	MG RESISTOR	100Ω 1/16W J		R318	RK73HB1J154J	MG RESISTOR	150kΩ 1/16W J	
R9	RK73HB1J100J	MG RESISTOR	10Ω 1/16W J		R320	RK73HB1J103J	MG RESISTOR	10kΩ 1/16W J	
R10	RK73HB1J470J	MG RESISTOR	47Ω 1/16W J		R321	RK73HB1J103J	MG RESISTOR	10kΩ 1/16W J	

△ Symbol No.	Part No.	Part Name	Description	Local	△ Symbol No.	Part No.	Part Name	Description	Local
R322	RK73HB1J000J	MG RESISTOR	0Ω 1/16W J		R537	RK73HB1J684J	MG RESISTOR	680kΩ 1/16W J	
R324	RK73HB1J223J	MG RESISTOR	22kΩ 1/16W J		R538	RK73FB2B181J	MG RESISTOR	180Ω 1/8W J	
R325	RK73HB1J473J	MG RESISTOR	47kΩ 1/16W J		R542	RK73FB2B101J	MG RESISTOR	100Ω 1/8W J	
R327	RK73HB1J183J	MG RESISTOR	18kΩ 1/16W J		R544	RK73HB1J470J	MG RESISTOR	47Ω 1/16W J	
R329	RK73HB1J000J	MG RESISTOR	0Ω 1/16W J		R545	RK73HB1J681J	MG RESISTOR	680Ω 1/16W J	
R330	RK73HB1J000J	MG RESISTOR	0Ω 1/16W J		R550	RK73GB2A391J	MG RESISTOR	390Ω 1/10W J	
R331	RK73HB1J104J	MG RESISTOR	100kΩ 1/16W J		R551	RK73HB1J104J	MG RESISTOR	100kΩ 1/16W J	
R332	RK73HB1J104J	MG RESISTOR	100kΩ 1/16W J		R552	RK73HB1J274J	MG RESISTOR	270kΩ 1/16W J	
R334	RK73HB1J104J	MG RESISTOR	100kΩ 1/16W J		R553	RK73HB1J000J	MG RESISTOR	0Ω 1/16W J	
R335	RK73GH2A101D	MG RESISTOR	100Ω 1/10W D		R554	RK73HB1J104J	MG RESISTOR	100kΩ 1/16W J	
R336	RK73GH2A681D	MG RESISTOR	680Ω 1/10W D		R555	RK73HB1J334J	MG RESISTOR	330kΩ 1/16W J	
R337	RK73HB1J104J	MG RESISTOR	100kΩ 1/16W J		R556	RK73HB1J823J	MG RESISTOR	82kΩ 1/16W J	
R338	RK73HB1J104J	MG RESISTOR	100kΩ 1/16W J		R557	RK73HB1J000J	MG RESISTOR	0Ω 1/16W J	
R341	RK73HB1J000J	MG RESISTOR	0Ω 1/16W J		R558	RK73HB1J823J	MG RESISTOR	82kΩ 1/16W J	
R342	RK73HB1J000J	MG RESISTOR	0Ω 1/16W J		R560	RK73HB1J823J	MG RESISTOR	82kΩ 1/16W J	
R343	RK73HB1J104J	MG RESISTOR	100kΩ 1/16W J		R561	RK73HB1J000J	MG RESISTOR	0Ω 1/16W J	
R344	RK73GH2A680D	MG RESISTOR	68Ω 1/10W D		R562	RK73HB1J000J	MG RESISTOR	0Ω 1/16W J	
R345	RK73HB1J000J	MG RESISTOR	0Ω 1/16W J		R563	RK73HB1J104J	MG RESISTOR	100kΩ 1/16W J	
R346	RK73PB2H560J	MG RESISTOR	56Ω 1/2W J		R565	RK73HB1J270J	MG RESISTOR	27Ω 1/16W J	
R348	RK73GB2A102J	MG RESISTOR	1kΩ 1/10W J		R566	RK73HB1J104J	MG RESISTOR	100kΩ 1/16W J	
R350	RK73GB2A000J	MG RESISTOR	0Ω 1/10W J		R569	RK73HB1J472J	MG RESISTOR	4.7kΩ 1/16W J	
R351	RK73GB2A000J	MG RESISTOR	0Ω 1/10W J		R571	RK73HB1J333J	MG RESISTOR	33kΩ 1/16W J	
R352	RK73GB2A000J	MG RESISTOR	0Ω 1/10W J		R572	RK73HB1J271J	MG RESISTOR	270Ω 1/16W J	
R353	RK73GB2A000J	MG RESISTOR	0Ω 1/10W J		R575	RK73HB1J682J	MG RESISTOR	6.8kΩ 1/16W J	
R354	RK73GH2A121D	MG RESISTOR	120Ω 1/10W D		R576	RK73HB1J563J	MG RESISTOR	56kΩ 1/16W J	
R355	RK73GH2A181D	MG RESISTOR	180Ω 1/10W D		R577	RK73HB1J100J	MG RESISTOR	10Ω 1/16W J	
R356	R92-1061-05	C RESISTOR	0.008Ω		R578	RK73HB1J000J	MG RESISTOR	0Ω 1/16W J	
R357	RK73HB1J472J	MG RESISTOR	4.7kΩ 1/16W J		R579	RK73FB2B000J	MG RESISTOR	0Ω 1/8W J	
R358	RK73HB1J221J	MG RESISTOR	220Ω 1/16W J		R580	RK73HB1J563J	MG RESISTOR	56kΩ 1/16W J	
R359	RK73HB1J220J	MG RESISTOR	22Ω 1/16W J		R581	RK73HB1J333J	MG RESISTOR	33kΩ 1/16W J	
R360	RK73HB1J221J	MG RESISTOR	220Ω 1/16W J		R582	RK73FB2B000J	MG RESISTOR	0Ω 1/8W J	
R361	RK73HB1J000J	MG RESISTOR	0Ω 1/16W J		R584	RK73GB2A000J	MG RESISTOR	0Ω 1/10W J	
R362	RK73HB1J473J	MG RESISTOR	47kΩ 1/16W J		R585	RK73HB1J104J	MG RESISTOR	100kΩ 1/16W J	
R363	RK73GB2A000J	MG RESISTOR	0Ω 1/10W J		R586	RK73HB1J104J	MG RESISTOR	100kΩ 1/16W J	
R364	RK73PB2H560J	MG RESISTOR	56Ω 1/2W J		R587	RK73HB1J104J	MG RESISTOR	100kΩ 1/16W J	
R366	RK73HB1J273J	MG RESISTOR	27kΩ 1/16W J		R588	RK73HB1J183J	MG RESISTOR	18kΩ 1/16W J	
R369	RK73HB1J000J	MG RESISTOR	0Ω 1/16W J		R589	RK73HB1J104J	MG RESISTOR	100kΩ 1/16W J	
R370	RK73HB1J103J	MG RESISTOR	10kΩ 1/16W J		R590	RK73HB1J104J	MG RESISTOR	100kΩ 1/16W J	
R371	RK73HB1J472J	MG RESISTOR	4.7kΩ 1/16W J		R593	RK73HB1J000J	MG RESISTOR	0Ω 1/16W J	
R373	RK73HB1J473J	MG RESISTOR	47kΩ 1/16W J		R594	RK73HB1J000J	MG RESISTOR	0Ω 1/16W J	
R375	RK73HB1J000J	MG RESISTOR	0Ω 1/16W J		R598	RK73HB1J181J	MG RESISTOR	180Ω 1/16W J	
R379	RK73HB1J222J	MG RESISTOR	2.2kΩ 1/16W J		R599	RK73HB1J000J	MG RESISTOR	0Ω 1/16W J	
R380	RK73HB1J470J	MG RESISTOR	47Ω 1/16W J		R600	RK73HB1J000J	MG RESISTOR	0Ω 1/16W J	
R382	RK73HB1J223J	MG RESISTOR	22kΩ 1/16W J		R601	RK73HB1J000J	MG RESISTOR	0Ω 1/16W J	
R385	RK73HB1J473J	MG RESISTOR	47kΩ 1/16W J		R603	RK73HB1J000J	MG RESISTOR	0Ω 1/16W J	
R386	RK73HB1J104J	MG RESISTOR	100kΩ 1/16W J		R604	RK73HB1J102J	MG RESISTOR	1kΩ 1/16W J	
R387	RK73HB1J224J	MG RESISTOR	220kΩ 1/16W J		R605	RK73HB1J000J	MG RESISTOR	0Ω 1/16W J	
R393	RK73HB1J103J	MG RESISTOR	10kΩ 1/16W J		R606	RK73HB1J000J	MG RESISTOR	0Ω 1/16W J	
R394	RK73HB1J472J	MG RESISTOR	4.7kΩ 1/16W J		R607	RK73HB1J102J	MG RESISTOR	1kΩ 1/16W J	
R395	RK73HB1J000J	MG RESISTOR	0Ω 1/16W J		R611	RK73HB1J181J	MG RESISTOR	180Ω 1/16W J	
R397	RK73HB1J180J	MG RESISTOR	18Ω 1/16W J		R612	RK73HB1J181J	MG RESISTOR	180Ω 1/16W J	
R398	RK73HB1J271J	MG RESISTOR	270Ω 1/16W J		R652	RK73HB1J473J	MG RESISTOR	47kΩ 1/16W J	
R399	RK73HB1J271J	MG RESISTOR	270Ω 1/16W J		R656	RK73GB2A2R2J	MG RESISTOR	2.2Ω 1/10W J	
R500	RK73HB1J100J	MG RESISTOR	10Ω 1/16W J		R657	RK73HB1J000J	MG RESISTOR	0Ω 1/16W J	
R501	RK73GB2A104J	MG RESISTOR	100kΩ 1/10W J		R658	RK73HB1J222J	MG RESISTOR	2.2kΩ 1/16W J	
R503	RK73GB2A000J	MG RESISTOR	0Ω 1/10W J		R660	RK73HB1J223J	MG RESISTOR	22kΩ 1/16W J	
R504	RK73HB1J564J	MG RESISTOR	560kΩ 1/16W J		R661	RK73HB1J101J	MG RESISTOR	100Ω 1/16W J	
R508	RK73HB1J102J	MG RESISTOR	1kΩ 1/16W J		R662	RK73GB2A000J	MG RESISTOR	0Ω 1/10W J	
R509	RK73HB1J123J	MG RESISTOR	12kΩ 1/16W J		R700	RK73HB1J104J	MG RESISTOR	100kΩ 1/16W J	
R510	RK73HB1J124J	MG RESISTOR	120kΩ 1/16W J		R701	RK73HB1J101J	MG RESISTOR	100Ω 1/16W J	
R511	RK73HB1J122J	MG RESISTOR	1.2kΩ 1/16W J		R702	RK73HB1J101J	MG RESISTOR	100Ω 1/16W J	
R512	RK73HB1J123J	MG RESISTOR	12kΩ 1/16W J		R703	RK73HB1J102J	MG RESISTOR	1kΩ 1/16W J	
R513	RK73HB1J334J	MG RESISTOR	330kΩ 1/16W J		R704	RK73HB1J000J	MG RESISTOR	0Ω 1/16W J	
R514	RK73HB1J101J	MG RESISTOR	100Ω 1/16W J		R705	RK73HB1J000J	MG RESISTOR	0Ω 1/16W J	
R515	RK73HB1J332J	MG RESISTOR	3.3kΩ 1/16W J		R706	RK73HB1J000J	MG RESISTOR	0Ω 1/16W J	
R516	RK73HB1J332J	MG RESISTOR	3.3kΩ 1/16W J		R707	RK73HB1J000J	MG RESISTOR	0Ω 1/16W J	
R517	RK73HB1J000J	MG RESISTOR	0Ω 1/16W J		R708	RK73HB1J000J	MG RESISTOR	0Ω 1/16W J	
R518	RK73HB1J563J	MG RESISTOR	56kΩ 1/16W J		R709	RK73HB1J000J	MG RESISTOR	0Ω 1/16W J	
R519	RK73HB1J473D	MG RESISTOR	47kΩ 1/16W D		R710	RK73HB1J000J	MG RESISTOR	0Ω 1/16W J	
R520	RK73HB1J105J	MG RESISTOR	1MΩ 1/16W J		R711	RK73HB1J000J	MG RESISTOR	0Ω 1/16W J	
R521	RK73HB1J224J	MG RESISTOR	220kΩ 1/16W J		R712	RK73HB1J000J	MG RESISTOR	0Ω 1/16W J	
R528	RK73HB1J104J	MG RESISTOR	100kΩ 1/16W J		R713	RK73HB1J000J	MG RESISTOR	0Ω 1/16W J	
R529	RK73HB1J000J	MG RESISTOR	0Ω 1/16W J		R714	RK73HB1J000J	MG RESISTOR	0Ω 1/16W J	
R530	RK73HB1J100J	MG RESISTOR	10Ω 1/16W J		R715	RK73HB1J104J	MG RESISTOR	100kΩ 1/16W J	
R532	RK73HB1J101J	MG RESISTOR	100Ω 1/16W J		R716	RK73HB1J102J	MG RESISTOR	1kΩ 1/16W J	
R533	RK73HB1J152J	MG RESISTOR	1.5kΩ 1/16W J		R717	RK73HB1J000J	MG RESISTOR	0Ω 1/16W J	
R535	RK73GB2A000J	MG RESISTOR	0Ω 1/10W J		R718	RK73HB1J103J	MG RESISTOR	10kΩ 1/16W J	
R536	RK73HB1J473J	MG RESISTOR	47kΩ 1/16W J		R720	RK73HB1J682J	MG RESISTOR	6.8kΩ 1/16W J	

△ Symbol No.	Part No.	Part Name	Description	Local	△ Symbol No.	Part No.	Part Name	Description	Local
R721	RK73HB1J682J	MG RESISTOR	6.8kΩ 1/16W J		R821	RK73HB1J000J	MG RESISTOR	0Ω 1/16W J	
R722	RK73HB1J103J	MG RESISTOR	10kΩ 1/16W J		R822	RK73HB1J104J	MG RESISTOR	100kΩ 1/16W J	
R724	RK73GB2A000J	MG RESISTOR	0Ω 1/10W J		R823	RK73HB1J104J	MG RESISTOR	100kΩ 1/16W J	
R727	RK73HB1J103J	MG RESISTOR	10kΩ 1/16W J		R824	RK73HB1J104J	MG RESISTOR	100kΩ 1/16W J	
R728	RK73HB1J102J	MG RESISTOR	1kΩ 1/16W J		R825	RK73GB2A100J	MG RESISTOR	10Ω 1/10W J	
R729	RK73HB1J102J	MG RESISTOR	1kΩ 1/16W J		R826	RK73HB1J101J	MG RESISTOR	100Ω 1/16W J	
R730	RK73GB2A000J	MG RESISTOR	0Ω 1/10W J		R827	RK73HB1J104J	MG RESISTOR	100kΩ 1/16W J	
R732	RK73HB1J103J	MG RESISTOR	10kΩ 1/16W J		R829	RK73HB1J000J	MG RESISTOR	0Ω 1/16W J	
R733	RK73HB1J561J	MG RESISTOR	560Ω 1/16W J		R830	RK73HB1J101J	MG RESISTOR	100Ω 1/16W J	
R734	RK73HB1J472J	MG RESISTOR	4.7kΩ 1/16W J		R832	RK73HB1J153J	MG RESISTOR	15kΩ 1/16W J	
R736	RK73HB1J681J	MG RESISTOR	680Ω 1/16W J		R833	RK73HB1J104J	MG RESISTOR	100kΩ 1/16W J	
R737	RK73GB2A000J	MG RESISTOR	0Ω 1/10W J		R834	RK73HB1J000J	MG RESISTOR	0Ω 1/16W J	
R738	RK73HB1J102J	MG RESISTOR	1kΩ 1/16W J		R835	RK73HB1J101J	MG RESISTOR	100Ω 1/16W J	
R739	RK73HB1J821J	MG RESISTOR	820Ω 1/16W J		R836	RK73HB1J103J	MG RESISTOR	10kΩ 1/16W J	
R740	RK73HB1J223J	MG RESISTOR	22kΩ 1/16W J		R837	RK73HB1J473J	MG RESISTOR	47kΩ 1/16W J	
R741	RK73HB1J472J	MG RESISTOR	4.7kΩ 1/16W J		R838	RK73HB1J222J	MG RESISTOR	2.2kΩ 1/16W J	
R742	RK73HB1J000J	MG RESISTOR	0Ω 1/16W J		R839	RK73HB1J222J	MG RESISTOR	2.2kΩ 1/16W J	
R743	RK73HB1J223J	MG RESISTOR	22kΩ 1/16W J		R840	RK73HB1J101J	MG RESISTOR	100Ω 1/16W J	
R744	RK73HB1J473J	MG RESISTOR	47kΩ 1/16W J		R841	RK73HB1J820J	MG RESISTOR	82Ω 1/16W J	
R745	RK73HB1J823J	MG RESISTOR	82kΩ 1/16W J		R843	RK73HB1J000J	MG RESISTOR	0Ω 1/16W J	
R747	RK73HB1J101J	MG RESISTOR	100Ω 1/16W J		R844	RK73HB1J104J	MG RESISTOR	100kΩ 1/16W J	
R748	RK73HB1J000J	MG RESISTOR	0Ω 1/16W J		R846	RK73HB1J104D	MG RESISTOR	100kΩ 1/16W D	
R749	RK73HB1J222J	MG RESISTOR	2.2kΩ 1/16W J		R847	RK73HB1J103J	MG RESISTOR	10kΩ 1/16W J	
R750	RK73GB2A000J	MG RESISTOR	0Ω 1/10W J		R848	RK73GB2A000J	MG RESISTOR	0Ω 1/10W J	
R751	RK73GB2A000J	MG RESISTOR	0Ω 1/10W J		R849	RK73HB1J103J	MG RESISTOR	10kΩ 1/16W J	
R752	RK73HB1J473J	MG RESISTOR	47kΩ 1/16W J		R850	RK73HB1J184D	MG RESISTOR	180kΩ 1/16W D	
R757	RK73HB1J471J	MG RESISTOR	470Ω 1/16W J		R854	RK73HB1J104D	MG RESISTOR	100kΩ 1/16W D	
R758	RK73HB1J334J	MG RESISTOR	330kΩ 1/16W J		R855	RK73HB1J820J	MG RESISTOR	82Ω 1/16W J	
R760	RK73HB1J823J	MG RESISTOR	82kΩ 1/16W J		R859	RK73HB1J000J	MG RESISTOR	0Ω 1/16W J	
R761	RK73GB2A000J	MG RESISTOR	0Ω 1/10W J		R862	RK73HB1J000J	MG RESISTOR	0Ω 1/16W J	
R762	RK73GB2A000J	MG RESISTOR	0Ω 1/10W J		R863	RK73HB1J000J	MG RESISTOR	0Ω 1/16W J	
R764	RK73HB1J183J	MG RESISTOR	18kΩ 1/16W J		R865	RK73HB1J333J	MG RESISTOR	33kΩ 1/16W J	
R765	RK73GB2A000J	MG RESISTOR	0Ω 1/10W J		R870	RK73HB1J220J	MG RESISTOR	22Ω 1/16W J	
R768	RK73HB1J561J	MG RESISTOR	560Ω 1/16W J		R871	RK73HB1J474J	MG RESISTOR	470kΩ 1/16W J	
R769	RK73HB1J101J	MG RESISTOR	100Ω 1/16W J		R872	RK73HB1J820J	MG RESISTOR	82Ω 1/16W J	
R770	RK73HB1J101J	MG RESISTOR	100Ω 1/16W J		R874	RK73HB1J103J	MG RESISTOR	10kΩ 1/16W J	
R771	RK73HB1J000J	MG RESISTOR	0Ω 1/16W J		R875	RK73HB1J102J	MG RESISTOR	1kΩ 1/16W J	
R772	RK73HB1J101J	MG RESISTOR	100Ω 1/16W J		R876	RK73HB1J473J	MG RESISTOR	47kΩ 1/16W J	
R773	RK73HB1J101J	MG RESISTOR	100Ω 1/16W J		R879	RK73HB1J000J	MG RESISTOR	0Ω 1/16W J	
R774	RK73HB1J101J	MG RESISTOR	100Ω 1/16W J		R880	RK73HB1J000J	MG RESISTOR	0Ω 1/16W J	
R775	RK73HB1J471J	MG RESISTOR	470Ω 1/16W J		R882	RK73HB1J473J	MG RESISTOR	47kΩ 1/16W J	
R776	RK73HB1J101J	MG RESISTOR	100Ω 1/16W J		R887	RK73HB1J104J	MG RESISTOR	100kΩ 1/16W J	
R777	RK73HB1J124J	MG RESISTOR	120kΩ 1/16W J		R888	RK73HB1J104J	MG RESISTOR	100kΩ 1/16W J	
R779	RK73HB1J473D	MG RESISTOR	47kΩ 1/16W D		R889	RK73HB1J153D	MG RESISTOR	15kΩ 1/16W D	
R780	RK73HB1J473D	MG RESISTOR	47kΩ 1/16W D		R890	RK73HB1J000J	MG RESISTOR	0Ω 1/16W J	
R781	RK73HB1J104J	MG RESISTOR	100kΩ 1/16W J		R891	RK73HB1J105J	MG RESISTOR	1MΩ 1/16W J	
R782	RK73HB1J223J	MG RESISTOR	22kΩ 1/16W J		R892	RK73HB1J822D	MG RESISTOR	8.2kΩ 1/16W D	
R783	RK73HB1J333J	MG RESISTOR	33kΩ 1/16W J		R893	RK73HB1J104D	MG RESISTOR	100kΩ 1/16W D	
R784	RK73HB1J100J	MG RESISTOR	10Ω 1/16W J		R895	RK73HB1J104J	MG RESISTOR	100kΩ 1/16W J	
R785	RK73HB1J000J	MG RESISTOR	0Ω 1/16W J		R896	RK73HB1J222J	MG RESISTOR	2.2kΩ 1/16W J	
R787	RK73HB1J824J	MG RESISTOR	820kΩ 1/16W J		R897	RK73HB1J102J	MG RESISTOR	1kΩ 1/16W J	
R790	RK73HB1J103D	MG RESISTOR	10kΩ 1/16W D		R898	RK73GH2A134D	MG RESISTOR	130kΩ 1/10W D	
R791	RK73HB1J000J	MG RESISTOR	0Ω 1/16W J		R899	RK73GH2A123D	MG RESISTOR	12kΩ 1/10W D	
R792	RK73HB1J000J	MG RESISTOR	0Ω 1/16W J		R900	RK73HB1J000J	MG RESISTOR	0Ω 1/16W J	
R794	RK73HB1J000J	MG RESISTOR	0Ω 1/16W J		R901	RK73HB1J000J	MG RESISTOR	0Ω 1/16W J	
R795	RK73HB1J822J	MG RESISTOR	8.2kΩ 1/16W J		R902	RK73HB1J000J	MG RESISTOR	0Ω 1/16W J	
R796	RK73HB1J101J	MG RESISTOR	100Ω 1/16W J		R903	RK73HB1J473J	MG RESISTOR	47kΩ 1/16W J	
R797	RK73HB1J562J	MG RESISTOR	5.6kΩ 1/16W J		R904	RK73HB1J104J	MG RESISTOR	100kΩ 1/16W J	
R798	RK73HB1J102J	MG RESISTOR	1kΩ 1/16W J		R906	RK73HB1J103J	MG RESISTOR	10kΩ 1/16W J	
R799	RK73HB1J104J	MG RESISTOR	100kΩ 1/16W J		R907	RK73HB1J473J	MG RESISTOR	47kΩ 1/16W J	
R800	RK73HB1J101J	MG RESISTOR	100Ω 1/16W J		R910	RK73HB1J473J	MG RESISTOR	47kΩ 1/16W J	
R802	RK73HB1J101J	MG RESISTOR	100Ω 1/16W J		R911	RK73HB1J473J	MG RESISTOR	47kΩ 1/16W J	
R803	RK73HB1J563J	MG RESISTOR	56kΩ 1/16W J		R912	RK73HB1J000J	MG RESISTOR	0Ω 1/16W J	
R804	RK73HB1J104J	MG RESISTOR	100kΩ 1/16W J		R913	RK73HB1J102J	MG RESISTOR	1kΩ 1/16W J	
R805	RK73HB1J104J	MG RESISTOR	100kΩ 1/16W J		R914	RK73HB1J000J	MG RESISTOR	0Ω 1/16W J	
R806	RK73HB1J223J	MG RESISTOR	22kΩ 1/16W J		R915	RK73HB1J102J	MG RESISTOR	1kΩ 1/16W J	
R807	RK73HB1J102J	MG RESISTOR	1kΩ 1/16W J		R916	RK73HB1J000J	MG RESISTOR	0Ω 1/16W J	
R809	RK73HB1J471J	MG RESISTOR	470Ω 1/16W J		R917	RK73HB1J000J	MG RESISTOR	0Ω 1/16W J	
R810	RK73HB1J101J	MG RESISTOR	100Ω 1/16W J		R918	RK73HB1J000J	MG RESISTOR	0Ω 1/16W J	
R811	RK73HB1J000J	MG RESISTOR	0Ω 1/16W J		R919	RK73HB1J000J	MG RESISTOR	0Ω 1/16W J	
R812	RK73HB1J000J	MG RESISTOR	0Ω 1/16W J		R920	RK73HB1J000J	MG RESISTOR	0Ω 1/16W J	
R813	RK73HB1J104J	MG RESISTOR	100kΩ 1/16W J		R921	RK73HB1J000J	MG RESISTOR	0Ω 1/16W J	
R814	RK73HB1J823J	MG RESISTOR	82kΩ 1/16W J		R922	RK73HB1J000J	MG RESISTOR	0Ω 1/16W J	
R815	RK73HB1J102J	MG RESISTOR	1kΩ 1/16W J		R923	RK73HB1J000J	MG RESISTOR	0Ω 1/16W J	
R816	RK73HB1J101J	MG RESISTOR	100Ω 1/16W J		R924	RK73HB1J000J	MG RESISTOR	0Ω 1/16W J	
R817	RK73HB1J104J	MG RESISTOR	100kΩ 1/16W J		R925	RK73HB1J000J	MG RESISTOR	0Ω 1/16W J	
R819	RK73HB1J104J	MG RESISTOR	100kΩ 1/16W J		R926	RK73HB1J103J	MG RESISTOR	10kΩ 1/16W J	
R820	RK73HB1J104J	MG RESISTOR	100kΩ 1/16W J		R927	RK73HB1J102J	MG RESISTOR	1kΩ 1/16W J	

△ Symbol No.	Part No.	Part Name	Description	Local	△ Symbol No.	Part No.	Part Name	Description	Local
R928	RK73HB1J103J	MG RESISTOR	10kΩ 1/16W J		L30	L41-1288-14	CHIP INDUCTOR		
R929	RK73HB1J473J	MG RESISTOR	47kΩ 1/16W J		L31	L41-6878-14	CHIP INDUCTOR		
R930	RK73HB1J473J	MG RESISTOR	47kΩ 1/16W J		L32	LK73G0AQ4R7K	M.CHIP INDUCTOR	4.7uH	
R931	RK73HB1J473J	MG RESISTOR	47kΩ 1/16W J		L33	LK73G0AQ4R7K	M.CHIP INDUCTOR	4.7uH	
R933	RK73HB1J000J	MG RESISTOR	0Ω 1/16W J		L37	LK73G0AQ3R3K	M.CHIP INDUCTOR	3.3uH	
R935	RK73HB1J102J	MG RESISTOR	1kΩ 1/16W J		L38	LK73G0AQ3R3K	M.CHIP INDUCTOR	3.3uH	
R936	RK73HB1J473J	MG RESISTOR	47kΩ 1/16W J		L39	LB73G0BV-001	CHIP FERRITE		
R937	RK73HB1J102J	MG RESISTOR	1kΩ 1/16W J		L40	LK73H0AM82NJ	M.CHIP INDUCTOR	82nH	
R938	RK73HB1J473J	MG RESISTOR	47kΩ 1/16W J		L41	L41-5675-53	CHIP INDUCTOR		
R939	RK73HB1J473J	MG RESISTOR	47kΩ 1/16W J		L42	L41-5675-53	CHIP INDUCTOR		
R940	RK73HB1J103J	MG RESISTOR	10kΩ 1/16W J		L45	LK73H0AM68NJ	M.CHIP INDUCTOR	68nH	
R941	RK73HB1J102J	MG RESISTOR	1kΩ 1/16W J		L300	LK73H0AM15NJ	M.CHIP INDUCTOR	15nH	
R942	RK73HB1J472J	MG RESISTOR	4.7kΩ 1/16W J		L301	LK73H0AM10NJ	M.CHIP INDUCTOR	10nH	
R943	RK73HB1J152J	MG RESISTOR	1.5kΩ 1/16W J		L302	L41-1275-53	CHIP INDUCTOR		
R944	RK73HB1J682J	MG RESISTOR	6.8kΩ 1/16W J		L303	L41-8265-53	CHIP INDUCTOR		
R946	RK73HB1J103J	MG RESISTOR	10kΩ 1/16W J		L304	L41-1285-53	CHIP INDUCTOR		
R947	RK73HB1J103J	MG RESISTOR	10kΩ 1/16W J		L305	L41-4775-53	CHIP INDUCTOR		
R948	RK73HB1J000J	MG RESISTOR	0Ω 1/16W J		L307	LB73Z0AF-001	CHIP FERRITE		
R949	RK73HB1J223J	MG RESISTOR	22kΩ 1/16W J		L308	LB73Z0AF-001	CHIP FERRITE		
R950	RK73HB1J223J	MG RESISTOR	22kΩ 1/16W J		L309	LB73Z0AF-001	CHIP FERRITE		
R951	RK73HB1J223J	MG RESISTOR	22kΩ 1/16W J		L310	L34-1039-05	AIR CORE COIL		
R952	RK73HB1J223J	MG RESISTOR	22kΩ 1/16W J		L311	L34-4667-05	AIR CORE COIL		
R953	RK73HB1J682J	MG RESISTOR	6.8kΩ 1/16W J		L312	L34-4903-05	AIR CORE COIL		
R954	RK73HB1J471J	MG RESISTOR	470Ω 1/16W J		L313	L34-4903-05	AIR CORE COIL		
R955	RK73HB1J222J	MG RESISTOR	2.2kΩ 1/16W J		L314	L34-4903-05	AIR CORE COIL		
R956	RK73HB1J222J	MG RESISTOR	2.2kΩ 1/16W J		L315	L34-4667-05	AIR CORE COIL		
R957	RK73HB1J000J	MG RESISTOR	0Ω 1/16W J		L316	LK73H0AM33NJ	M.CHIP INDUCTOR	33nH	
R958	RK73HB1J104J	MG RESISTOR	100kΩ 1/16W J		L317	LK73H0AM39NJ	M.CHIP INDUCTOR	39nH	
R959	RK73HB1J104J	MG RESISTOR	100kΩ 1/16W J		L319	LK73H0AMR10J	M.CHIP INDUCTOR	0.1uH	
R960	RK73HB1J472J	MG RESISTOR	4.7kΩ 1/16W J		L322	LB73H0AV-003	CHIP FERRITE		
R961	RK73GB2A103J	MG RESISTOR	10kΩ 1/10W J		L500	L41-1885-53	CHIP INDUCTOR		
R962	RK73HB1J391J	MG RESISTOR	390Ω 1/16W J		L501	LK73H0AMR10J	M.CHIP INDUCTOR	0.1uH	
R964	RK73FB2B000J	MG RESISTOR	0Ω 1/8W J		L502	LK73G0AQ2R2K	M.CHIP INDUCTOR	2.2uH	
R965	RK73GB2A103J	MG RESISTOR	10kΩ 1/10W J		L503	LR77Z0AER27J	CHIP INDUCTOR	0.27uH	
R966	RK73FB2B000J	MG RESISTOR	0Ω 1/8W J		L504	LR77Z0AER56J	CHIP INDUCTOR	0.56uH	
R968	RK73HB1J334J	MG RESISTOR	330kΩ 1/16W J		L505	L40-5663-57	CHIP INDUCTOR		
R969	RK73HB1J474J	MG RESISTOR	470kΩ 1/16W J		L506	L41-1885-14	CHIP INDUCTOR		
R970	RK73HB1J564J	MG RESISTOR	560kΩ 1/16W J		L507	L41-2778-14	CHIP INDUCTOR		
R971	RK73HB1J000J	MG RESISTOR	0Ω 1/16W J		L510	L41-2778-14	CHIP INDUCTOR		
R972	RK73HB1J104J	MG RESISTOR	100kΩ 1/16W J		L511	L41-2785-53	CHIP INDUCTOR		
R973	RK73HB1J000J	MG RESISTOR	0Ω 1/16W J		L512	LR79Z0DD37N7J	CHIP INDUCTOR	37.7nH	
R974	RK73HB1J474J	MG RESISTOR	470kΩ 1/16W J		L513	LR79Z0DD37N7J	CHIP INDUCTOR	37.7nH	
R975	RK73HB1J474J	MG RESISTOR	470kΩ 1/16W J		L515	L41-3378-14	CHIP INDUCTOR		
R976	RK73HB1J473J	MG RESISTOR	47kΩ 1/16W J		L516	L41-1085-14	CHIP INDUCTOR		
R977	RK73HB1J472J	MG RESISTOR	4.7kΩ 1/16W J		L518	LB73G0BD-005	CHIP FERRITE		
R978	RK73HB1J103J	MG RESISTOR	10kΩ 1/16W J		L519	L41-1275-53	CHIP INDUCTOR		
R979	RK73HB1J223J	MG RESISTOR	22kΩ 1/16W J		L705	LB73G0BV-001	CHIP FERRITE		
R980	RK73HB1J000J	MG RESISTOR	0Ω 1/16W J		L706	LB73H0AV-003	CHIP FERRITE		
R985	RK73HB1J103J	MG RESISTOR	10kΩ 1/16W J		L707	LB73H0AV-003	CHIP FERRITE		
R986	RK73HB1J102J	MG RESISTOR	1kΩ 1/16W J		L710	LB73H0AV-001	CHIP FERRITE		
R987	RK73HB1J102J	MG RESISTOR	1kΩ 1/16W J		L800	LB73H0AV-003	CHIP FERRITE		
R988	RK73HB1J102J	MG RESISTOR	1kΩ 1/16W J		L801	LB73H0AV-003	CHIP FERRITE		
R989	RK73HB1J102J	MG RESISTOR	1kΩ 1/16W J		L802	LB73H0AV-003	CHIP FERRITE		
R990	RK73HB1J474J	MG RESISTOR	470kΩ 1/16W J		L803	LB73H0AV-003	CHIP FERRITE		
R991	RK73HB1J472J	MG RESISTOR	4.7kΩ 1/16W J		L804	LB73H0AV-003	CHIP FERRITE		
R992	RK73HB1J472J	MG RESISTOR	4.7kΩ 1/16W J		L805	LB73H0AV-003	CHIP FERRITE		
R993	RK73HB1J104J	MG RESISTOR	100kΩ 1/16W J						
R996	RK73GB2A000J	MG RESISTOR	0Ω 1/10W J		CN700	E40-6847-05	F.C.CONNECTOR		
R997	RK73HB1J101J	MG RESISTOR	100Ω 1/16W J		CP1	RK74HA1J101J	NET RESISTOR	100Ω 1/16W J	
R998	RK73HB1J101J	MG RESISTOR	100Ω 1/16W J		CP701	RK74HB1J104J	NET RESISTOR	100kΩ 1/16W J	
R999	RK73HB1J101J	MG RESISTOR	100Ω 1/16W J		CP702	RK74HB1J104J	NET RESISTOR	100kΩ 1/16W J	
L1	LR77Z0AE4R7J	CHIP INDUCTOR	4.7uH		CP703	RK74HB1J103J	NET RESISTOR	10kΩ 1/16W J	
L2	LB73G0BJ-001	CHIP FERRITE			CP704	RK74HA1J473J	NET RESISTOR	47kΩ 1/16W J	
L3	LB73H0AV-003	CHIP FERRITE			CP705	RK74HA1J102J	NET RESISTOR	1kΩ 1/16W J	
L4	LB73G0BV-001	CHIP FERRITE			CP708	RK74HA1J102J	NET RESISTOR	1kΩ 1/16W J	
L7	LK73H0AM15NJ	M.CHIP INDUCTOR	15nH		F700	FZA10AW-2R5	FUSE (CC)	2.5A	
L9	LK73G0AQ4R7K	M.CHIP INDUCTOR	4.7uH		F701	FZA10AW-5R0	FUSE (CC)	5A	
L11	LK73G0AQ4R7K	M.CHIP INDUCTOR	4.7uH		F702	FZA10AW-2R5	FUSE (CC)	2.5A	
L14	LK73G0AQ3R3K	M.CHIP INDUCTOR	3.3uH		F704	F53-0315-15	FUSE		
L15	LB73H0AV-003	CHIP FERRITE			J700	E58-0567-05	SUB SOCKET D		
L18	LB73H0AV-003	CHIP FERRITE			J701	E1B-0001-00	3.5D PHONE JACK		
L19	LK73G0AQ3R3K	M.CHIP INDUCTOR	3.3uH		TH2	NCP15WF104F0S	N THERMISTOR		
L20	LK73G0AQ1R8K	M.CHIP INDUCTOR	1.8uH		TH301	NCP15WF104F0S	N THERMISTOR		
L25	LK73G0AQ1R8K	M.CHIP INDUCTOR	1.8uH		TH302	NCP15WF104F0S	N THERMISTOR		
L26	LK73G0AQ100K	M.CHIP INDUCTOR	10uH		TH303	NCP15WF104F0S	N THERMISTOR		
L28	LB73G0BV-001	CHIP FERRITE			X1	L77-3128-05	TCXO		
L29	LK73G0AQ100K	M.CHIP INDUCTOR	10uH		X700	L77-3129-05	TCXO		
					XF500	L71-0655-05	MCF		