

MODEL	MARK	MODEL	MARK
DDX9702S	K1	DDX9902S	K0

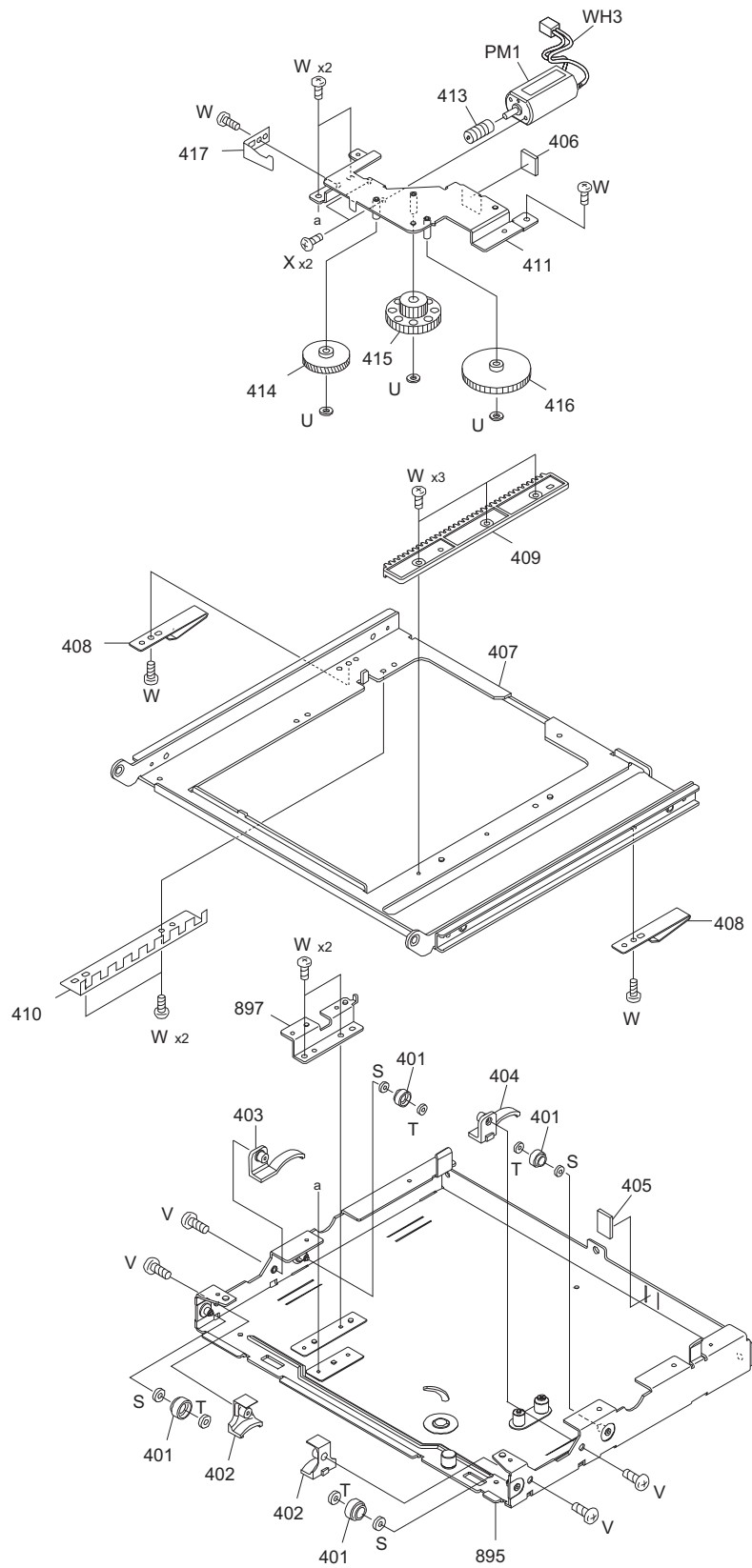
Safe	Symbol No.	Parts No.	Parts Name	Description	QTY	Local
EXPLODED VIEW (UNIT) <M1MM>						
	DC1	QAM1572-001	DC CORD		1	
	DIB1	CB-15DDXHI2D	DIGITAL IO PWB ASSY		1	K1
	DIB1	CB-15DDXHI1D	DIGITAL IO PWB ASSY		1	K0
△	F1	FZB10AU-100	BLADE FUSE	10A	1	
	FC1	QUQY05-2005AC-E	FFC WIRE	20pin 5cm	1	
	FC2	E3F-0078-00	FLAT CABLE		1	
	FC3	QUQY05-2004AC-E	FFC WIRE	20pin 4cm	1	
	FC4	QUQY05-4013BC-E	FFC WIRE	40pin 13cm	1	
	FC5	QUQY05-3005BC-E	FFC WIRE	30pin 5cm	1	
	FC6	QUQY05-08X3BC-E	FFC WIRE	8pin 3.5cm	1	
	FC7	QUQY05-60X7BC-E	FFC WIRE	60pin 7.5cm	1	
	FPC1	QAL1376-001	FPC		1	
	FPC2	QAL1538-001	FPC		1	
	LCD1	B3H-0015-10	LCD		1	
	OPB1	CB-15DDXKEYD	OPERATION PWB ASSY		1	
	PA1	LV11922-037A	FRONT PANEL		1	K1
	PA1	LV11922-036A	FRONT PANEL		1	K0
	TP1	W0C-0062-10	TOUCH PANEL		1	
	VME1	FD2-2C10NXN	DVD MECHA MODUL		1	
	WH1	WJJ1248-001A-E	E-SI C WIRE C-C		2	
	WH2	WJJ1273-001A-E	E-SI C WIRE C-C		2	
	A	QYSDST2616ZA	TAP SCREW	M2.6 x 16mm	4	
	B	QYSDST2610ZA	TAP SCREW	M2.6 x 10mm	5	
	C	LV45701-002A	SPECIAL SCREW		12	
	D	LV45701-001A	SPECIAL SCREW		2	
	E	LV45552-003A	SPECIAL SCREW		4	
	F	LV44800-005A	SPECIAL SCREW		34	
	G	QYSDSF3010ZA	TAP SCREW	M3 x 10mm	2	
	H	QYSDST2006MA	TAP SCREW	M2 x 6mm	5	
	J	LV44615-003A	SPECIAL SCREW		19	
	K	QYWF628050	WASHER	8mm/6.2mm x 0.5mm	2	
	L	NOZ-0021-01	SPECIAL SCREW		2	
	M	LV45039-001A	WAVE WASHER		2	
	213	QAM1565-001	CAR CABLE		1	
	214	E3A-0173-00	USB CORD		1	
	216	F0C-0007-01	COOL SHEET		1	
△	218	QAR0560-001	COOLING FAN		1	
	224	LV11908-001A	FRONT CHASSIS		1	
	225	LV3A421-001A	BLIND		1	
	226	LV22941-001A	FPC GUIDE		1	
	251	LV23097-003A	DRESS PANEL(L)		1	K1
	251	LV23097-001A	DRESS PANEL(L)		1	K0
	252	LV23099-002A	BUTTON	VOL	1	K1
	252	LV23099-001A	BUTTON	VOL	1	K0
	253	LV23100-005A	BUTTON	AV	1	K1
	253	LV23100-002A	BUTTON	AV	1	K0
	254	B43-1524-04	BADGE		1	
	255	LV23101-004A	BUTTON	AUD	1	K1
	255	LV23101-002A	BUTTON	AUD	1	K0
	256	LV23102-004A	BUTTON	MENU	1	K1
	256	LV23102-002A	BUTTON	MENU	1	K0
	257	LV23103-004A	BUTTON	TEL	1	K1
	257	LV23103-002A	BUTTON	TEL	1	K0
	258	LV3A430-002A	BUTTON	EJECT	1	K1
	258	LV3A430-001A	BUTTON	EJECT	1	K0
	259	LV23098-006A	DRESS PANEL(R)		1	K1
	259	LV23098-004A	DRESS PANEL(R)		1	K0
	260	LV3A428-003A	DRESS PANEL(C)		1	K1
	260	LV3A428-001A	DRESS PANEL(C)		1	K0
	261	B10-7055-03	FRONT GLASS		1	
	262	K24-5305-03	PUSH KNOB		1	
	263	LV11924-001A	KNOB BASE(R)		1	
	264	LV11923-001A	KNOB BASE(L)		1	
	266	LV22959-001A	COVER(BOTTOM)		1	
	267	LV22958-001A	COVER(TOP)		1	
	268	LV44471-003A	TOR.COIL SPRING		1	
	269	LV44469-001A	ROLLER		2	
	270	LV44468-002A	SPRING		2	
	271	F0K-0051-10	SHEET		1	
	279	LV39530-003A	F.BKT ASSY		1	
	351	B07-3237-41	ESCUTCHEON		1	
	352	LV22876-001A	SLEEVE ASSY		1	
	353	QAM1355-002	CAR CABLE		1	
	354	QAN0137-001	MICROPHONE		1	
	355	LV45516-001A	LEVER		2	
	356	LV44800-005A	SPECIAL SCREW		1	
	357	LV45891-001A	HDMI COVER		1	
	358	N34-5006-48	TR.HEAD M.SCREW		6	
	359	N32-5007-48	MACHINE SCREW		6	
	360	QAL1550-001	ANTENNA		1	
	361	LV45939-001A	GPS BRACKET		1	
	501	B5A-0663-00	INST.MANUAL	ENG	1	
	502	B5A-0663-01	INST.MANUAL	FRE	1	
	503	B5A-0663-02	INST.MANUAL	SPA	1	
	701	-----	MAIN PWB ASSY	NO SERVICE PART	1	K1
	701	-----	MAIN PWB ASSY	NO SERVICE PART	1	K0
	702	-----	SUB CIRCUIT PWB ASSY	NO SERVICE PART	1	
	703	-----	PANEL-B PWB ASSY	NO SERVICE PART	1	
	704	-----	VIDEO PWB ASSY	NO SERVICE PART	1	
	705	-----	BT PWB ASSY	NO SERVICE PART	1	K1
	705	-----	BT PWB ASSY	NO SERVICE PART	1	K0

MODEL	MARK	MODEL	MARK
DDX9702S	K1	DDX9902S	K0

Safe	Symbol No.	Parts No.	Parts Name	Description	QTY	Local
	711	-----	MID CHASSIS	NO SERVICE PART	1	
	715	-----	SPACER(H)	NO SERVICE PART	1	
	717	-----	INS.SHEET	NO SERVICE PART	1	
	719	-----	HEAT SINK (REG)	NO SERVICE PART	1	
	720	-----	HEAT SINK (POW)	NO SERVICE PART	1	
	721	-----	MECHA BKT F	NO SERVICE PART	1	
	722	-----	MECHA BKT R	NO SERVICE PART	1	
	723	-----	TOP COVER	NO SERVICE PART	1	
	727	-----	REAR BKT(LOWER)	NO SERVICE PART	1	
	728	-----	SPACER(H)	NO SERVICE PART	1	
	729	-----	FAN BRACKET	NO SERVICE PART	1	
	730	-----	SPACER(H)	NO SERVICE PART	1	
	746	-----	CHASSIS ASSY	NO SERVICE PART	1	
	749	-----	SPACER(F)	NO SERVICE PART	1	
	772	-----	P.BKT ASSY	NO SERVICE PART	1	
	773	-----	SPACER	NO SERVICE PART	1	
	774	-----	SHIELD TIGHT	NO SERVICE PART	2	
	776	-----	SPACER	NO SERVICE PART	1	
	777	-----	COOLING RUBBER	NO SERVICE PART	1	
	778	-----	SHEET	NO SERVICE PART	1	

EXPLODED VIEW (PANEL MECHA ASSY)

Block No.M2MM



Parts with the exploded numbers larger than 800 are not supplied.

MODEL	MARK	MODEL	MARK
DDX9702S	K1	DDX9902S	K0

Safe	Symbol No.	Parts No.	Parts Name	Description	QTY	Local
------	------------	-----------	------------	-------------	-----	-------

EXPLODED VIEW (PANEL MECHA ASSY) <M2MM>

PM1		QAR0378-002	FEED MOTOR		1	
WH3		WJM0460-001A-E	E-SI C WIRE C-F		1	
S		QYWFM315013	WASHER	5mm/3.1mm x 0.13mm	4	
T		QYWDL164035	SLIT WASHER	4mm/1.6mm x 0.35mm	4	
U		QYWDM215025	SLIT WASHER	5mm/2.1mm x 0.25mm	3	
V		QYSPSFT1745ZA	TAP SCREW	M1.7 x 4.5mm	4	
W		NOZ-0020-00	SPECIAL SCREW		13	
X		QYSPSPT2020ZA	SCREW	M2 x 2mm	2	
401		LV44666-003A	ROLLER(SLD)		4	
402		LV36940-002A	RAIL GUIDE		2	
403		LV37308-001A	GUIDE SPRING(L)		1	
404		LV37309-001A	GUIDE SPRING(R)		1	
405		LV40846-060A	SPACER(F)		1	
406		LV40846-057A	SPACER(F)		1	
407		LV36514-013A	DRIVE PLATE ASS		1	
408		LV44453-004A	FRICTION SPRING		2	
409		LV36516-001A	RACK GEAR		1	
410		LV36517-003A	PHOTO PLATE		1	
411		LV36509-003A	DR.CHASSIS ASSY		1	
413		LV44451-001A	WORM GEAR		1	
414		LV36511-001A	SECOND GEAR		1	
415		LV36512-001A	THIRD GEAR		1	
416		LV36513-001A	FORTH GEAR		1	
417		LV44452-001A	SPRING(WORM)		1	
895		-----	B CHASSIS ASSY	NO SERVICE PART	1	
897		-----	PCB BKT	NO SERVICE PART	1	

MODEL	MARK	MODEL	MARK
DDX9702S	K1	DDX9902S	K0

Safe	Symbol No.	Parts No.	Parts Name	Description	QTY	Local
EXPLODED VIEW (DVD MECHANISM: FD2-2C10NXN) <MJMM>						
	VM1	CM-FD2-ALM	LOADING M ASSY		1	
	VT1	CM-FD2-ATM2	TM ASSY		1	
	A	LV44959-002A	SPECIAL SCREW		16	
	B	LV45727-001A	GEAR SCREW		2	
	C	QYSPSPU1425MA	SCREW	M1.4 x 2.5mm	2	
	D	VKZ4539-054	MINI SCREW		3	
	F	LV44586-001A	SPECIAL SCREW		1	
	4	LV45709-002A	CLAMP SPRING		1	
	7	LV23006-002A	GUIDE 2 L		1	
	8	LV23007-002A	GUIDE 2 R		1	
	9	LV11842-004A	DISC GUIDE		1	
	14	LV45704-001A	DAMPER SHAFT		4	
	15	LV45724-001A	RUBBER ROLLER		2	
	17	LV37652-002A	SHAFT GUIDE		1	
	18	LV39938-001A	GEAR RETAINER		1	
	19	LV45730-001A	ROLLER C WASHER		1	
	20	CM-FD2-AROS	RO SHAFT ASSY		1	
	21	LV45731-001A	ROLLER WASHER		1	
	22	LV45718-001A	ROLLER RETAINER		1	
	23	LV23003-002A	ROLLER HOLDER		1	
	24	LV45982-001A	ROLLER SPG R2		1	
	26	LV39932-002A	TRIGGER SLIDER		1	
	27	LV45715-001A	TRIGGER SPRING		1	
	28	LV23004-003A	SLIDER		1	
	29	LV39935-003A	SLIDER SPRING		1	
	31	LV39929-001A	DRIVE GEAR 4		1	
	32	LV39928-001A	DRIVE GEAR 3		3	
	33	LV39927-001A	DRIVE GEAR 2		1	
	34	LV39926-001A	DRIVE GEAR 1		1	
	35	LV23005-001A	GEAR HOLDER		1	
	36	LV39923-002A	UD LEVER		1	
	37	LV45983-001A	ROLLER SPG L2		1	
	38	LV39934-001A	DAMPER		4	
	39	LV45719-001A	PU FPC SHEET		1	
	802	-----	CLAMP ARM ASSY	NO SERVICE PART	1	
	805	-----	BOTTOM CHASSIS	NO SERVICE PART	1	
	806	-----	TOP CHASSIS	NO SERVICE PART	1	
	810	-----	CLAMPER CUSHION	NO SERVICE PART	1	
	811	-----	CL A CUSHION B	NO SERVICE PART	1	
	812	-----	CL A CUSHION A	NO SERVICE PART	1	
	825	-----	ROLLER ARM	NO SERVICE PART	1	
	830	-----	GEAR BKT	NO SERVICE PART	1	
	840	-----	SPACER(H)	NO SERVICE PART	2	
	841	-----	BOTTOM SHEET	NO SERVICE PART	1	
	842	-----	FE BOARD ASSY	NO SERVICE PART	1	
	847	-----	LOADING MOTOR	NO SERVICE PART	1	
	848	-----	SIN TWIST WIRE	NO SERVICE PART	1	
	849	-----	SIN TWIST WIRE	NO SERVICE PART	1	
	850	-----	WORM GEAR	NO SERVICE PART	1	
	851	-----	TM CHASSIS ASSY	NO SERVICE PART	1	
	852	-----	FEED MOTOR	NO SERVICE PART	1	
	853	-----	SPINDLE MOTOR	NO SERVICE PART	1	
	854	-----	SUB SHAFT	NO SERVICE PART	1	
	855	-----	SUB SHAFT SP	NO SERVICE PART	1	
△	856	-----	PICKUP	NO SERVICE PART	1	
	857	-----	PICKUP ARM	NO SERVICE PART	1	
	858	-----	PICKUP ARM SP	NO SERVICE PART	1	
	859	-----	MAIN SHAFT	NO SERVICE PART	1	
	860	-----	MAIN SHAFT SP 2	NO SERVICE PART	1	
	861	-----	MAIN SHAFT SP	NO SERVICE PART	1	
	862	-----	TM COVER MAIN	NO SERVICE PART	1	
	863	-----	TM COVER SUB	NO SERVICE PART	1	
	864	-----	ROLLER SHAFT	NO SERVICE PART	1	
	865	-----	ROLLER GEAR	NO SERVICE PART	1	
	866	-----	SCREW	NO SERVICE PART	1	

MODEL	MARK	MODEL	MARK
DDX9702S	K1	DDX9902S	K0

Safe	Symbol No.	Parts No.	Parts Name	Description	QTY	Local
MAIN PWB ASSY (LVA11285-GxA) <L28>						
	IC1	LV5680NPVC	IC		1	
	IC111	TPS54240-X	ANALOG IC		1	
	IC112	TC7SZ125FUF	MOS IC		1	
	IC131	BD9876AEFJ-X	IC		1	
	IC151	LM3481MMX-X	IC		1	
	IC201	JCV8031	IC		1	
	IC301	TDA7715	IC		1	
	IC501	W3F-0088-00	MCU IC		1	
	IC502	BU4824F-W	IC		1	
	IC503	R1EX24008ATAA-X	IC		1	
	IC591	XC6223B331PG-X	IC		1	
	IC592	XC6201P502PR-X	IC		1	
	IC601	XC6201P502PR-X	IC		1	
	IC624	74AHC1G08GW-X	IC		1	
	IC651	XC6201P502PR-X	IC		1	
	IC652	XC6503D331PG-X	IC		1	
	IC711	TC7SET08FU-J-X	IC(DIGITAL)		1	
	IC721	TC7SH17FU-X	IC(DIGITAL)		1	
	IC751	TC7SET08FU-J-X	IC(DIGITAL)		1	
	IC791	BA6956AN	IC		1	
	IC851	MM3423DHE	ANALOG IC		1	
	IC901	AK7600VF-X	IC		1	
	IC941	NJM2794RB2-X	IC		1	
	IC951	TC74HCT4053FT	MOS IC		1	
	IC961	NJW1240V-X	IC		1	K0
	Q31	LSCR523EBFS8	TRANSISTOR		1	
	Q32	LSCR523EBFS8	TRANSISTOR		1	
	Q41	LSCR523EBFS8	TRANSISTOR		1	
	Q51	LSCR523EBFS8	TRANSISTOR		1	
	Q101	MTM98140-X	TRANSISTOR		1	
	Q102	LTA014EEBFS8	DIGI TRANSISTOR		1	
	Q103	LTA014EEBFS8	DIGI TRANSISTOR		1	
	Q104	LTC014EEBFS8	DIGI TRANSISTOR		1	
	Q105	LTC044EEBFS8	DIGI TRANSISTOR		1	
	Q111	LTC014YEBFS8	DIGI TRANSISTOR		1	
	Q113	LSCR523EBFS8	TRANSISTOR		1	
	Q131	LTC014EEBFS8	DIGI TRANSISTOR		1	
	Q151	RTQ035N03-W	MOS FET		1	
	Q251	LTC014YEBFS8	DIGI TRANSISTOR		1	
	Q252	LTA043ZEBFS8	DIGI TRANSISTOR		1	
	Q255	LTC014YEBFS8	DIGI TRANSISTOR		1	
	Q256	LTA043ZEBFS8	DIGI TRANSISTOR		1	
	Q261	LTC043TEB-X	DIGI TRANSISTOR		1	
	Q262	LTC043TEB-X	DIGI TRANSISTOR		1	
	Q263	LTC043TEB-X	DIGI TRANSISTOR		1	
	Q264	LTC043TEB-X	DIGI TRANSISTOR		1	
	Q265	LTC043TEB-X	DIGI TRANSISTOR		1	
	Q292	LTA043ZEBFS8	DIGI TRANSISTOR		1	
	Q293	LTC043TEB-X	DIGI TRANSISTOR		1	
	Q294	LTC043TEB-X	DIGI TRANSISTOR		1	
	Q511	LTA014EEBFS8	DIGI TRANSISTOR		1	
	Q512	DSC5001/R/	TRANSISTOR		1	
	Q521	2SA812/5-6/-X	TRANSISTOR		1	
	Q591	RE1C002ZP-X	MOS FET		1	
	Q592	LTC044EEBFS8	DIGI TRANSISTOR		1	
	Q601	LTA043ZEBFS8	DIGI TRANSISTOR		1	
	Q670	LTA014YEB-X	DIGI TRANSISTOR		1	
	Q671	LTC043TEB-X	DIGI TRANSISTOR		1	
	Q672	LTC043TEB-X	DIGI TRANSISTOR		1	
	Q791	LTC014YEBFS8	DIGI TRANSISTOR		1	
	Q851	2SB1689-X	TRANSISTOR		1	
	Q852	LTC014YEBFS8	DIGI TRANSISTOR		1	
	D1	1N5402-BPC04	DIODE		1	
	D2	GS1J-LTP-X	SI DIODE		1	
	D31	DZ2J056M	ZENER DIODE		1	
	D32	DZ2J068M	ZENER DIODE		1	
	D41	DZ2J062M	ZENER DIODE		1	
	D71	DZ2J062M	ZENER DIODE		1	
	D81	MBRX130	SCHOTTKY DIODE		1	
	D82	MBRX130	SCHOTTKY DIODE		1	
	D83	MBRX130	SCHOTTKY DIODE		1	
	D84	MBRX130	SCHOTTKY DIODE		1	
	D101	DZ2J180M	ZENER DIODE		1	
	D111	RB080L-30-X	SB DIODE		1	
	D112	RB080L-30-X	SB DIODE		1	
	D141	RB051L-40	SCHOTTKY DIODE		1	
	D142	DZ2J062M	ZENER DIODE		1	
	D161	RB160L-40	SCHOTTKY DIODE		1	
	D162	RB521S-30	SCHOTTKY DIODE		1	
	D163	RB521S-30	SCHOTTKY DIODE		1	
	D164	RB521S-30	SCHOTTKY DIODE		1	
	D241	DAP202U-X	SI DIODE		1	
	D251	DAP202U-X	SI DIODE		1	
	D255	DAP202U-X	SI DIODE		1	
	D291	DAP202U-X	SI DIODE		1	
	D301	DAP202U-X	SI DIODE		1	
	D302	DAP202U-X	SI DIODE		1	
	D303	DAP202U-X	SI DIODE		1	
	D312	DA2J101	DIODE		1	
	D511	DA2J101	DIODE		1	
	D512	DAP202U-X	SI DIODE		1	

MODEL	MARK	MODEL	MARK
DDX9702S	K1	DDX9902S	K0

Safe	Symbol No.	Parts No.	Parts Name	Description	QTY	Local
	D591	GS1J-LTP-X	SI DIODE		1	
	D651	GS1J-LTP-X	SI DIODE		1	
	D791	MBRX130	SCHOTTKY DIODE		1	
	D792	DZ2J056M	ZENER DIODE		1	
	D941	DZ2J047M	ZENER DIODE		1	
	D942	DA2J101	DIODE		1	
	C1	QE20934-338	E CAPACITOR	3300uF	1	
	C11	CD04CZ1E101M	E CAPACITOR	100uF 25V M	1	
	C12	CK73HBB1E103K	C CAPACITOR	0.01uF 25V K	1	
	C13	CD04AS1C470M	E CAPACITOR	47uF 16V M	1	
	C14	CD04AS1C470M	E CAPACITOR	47uF 16V M	1	
	C15	QETN1CM-107Z	E CAPACITOR	100uF 16V M	1	
	C16	QETN1CM-227Z	E CAPACITOR	220uF 16V M	1	
	C18	CK730BY1E106K	C CAPACITOR	10uF 25V K	1	
	C19	CK730BY1E106K	C CAPACITOR	10uF 25V K	1	
	C21	NCB31HK-104X	C CAPACITOR	0.1uF 50V K	1	
	C23	NCB31CK-105X	C CAPACITOR	1uF 16V K	1	
	C24	NCB31HK-104X	C CAPACITOR	0.1uF 50V K	1	
	C25	CK73GBB1C224K	C CAPACITOR	0.22uF 16V K	1	
	C26	CK73HBB1A104K	C CAPACITOR	0.1uF 10V K	1	
	C41	CK73FBB1E474K	C CAPACITOR	0.47uF 25V K	1	
	C51	CK73HBB1E103K	C CAPACITOR	0.01uF 25V K	1	
	C52	CK730BS0J105K	C CAPACITOR	1uF 6.3V K	1	
	C101	NCB21HK-334X	C CAPACITOR	0.33uF 50V K	1	
	C102	CK73HBB1E103K	C CAPACITOR	0.01uF 25V K	1	
	C111	QETN1EM-227Z	E CAPACITOR	220uF 25V M	1	
	C112	NCB31HK-104X	C CAPACITOR	0.1uF 50V K	1	
	C113	CK73HBB1E103K	C CAPACITOR	0.01uF 25V K	1	
	C114	CK730BY1E106K	C CAPACITOR	10uF 25V K	1	
	C115	CK730BY1E106K	C CAPACITOR	10uF 25V K	1	
	C116	NCB31HK-104X	C CAPACITOR	0.1uF 50V K	1	
	C117	CK73HBB1E103K	C CAPACITOR	0.01uF 25V K	1	
	C118	NCB31HK-104X	C CAPACITOR	0.1uF 50V K	1	
	C120	CK730BW0J226M	C CAPACITOR	22uF 6.3V M	1	
	C121	CK73HBB1A104K	C CAPACITOR	0.1uF 10V K	1	
	C122	CK73HBB1E103K	C CAPACITOR	0.01uF 25V K	1	
	C123	QE20852-337Z	E CAPACITOR	330uF	1	
	C124	CK73HBB1E103K	C CAPACITOR	0.01uF 25V K	1	
	C125	CK73HBB1A104K	C CAPACITOR	0.1uF 10V K	1	
	C127	CK73HBB1H332K	C CAPACITOR	3300pF 50V K	1	
	C132	CK730BY1E106K	C CAPACITOR	10uF 25V K	1	
	C138	NCB31HK-104X	C CAPACITOR	0.1uF 50V K	1	
	C141	QE20852-337Z	E CAPACITOR	330uF	1	
	C144	CK730BW1C106K	C CAPACITOR	10uF 16V K	1	
	C145	CK73HBB1H102K	C CAPACITOR	1000pF 50V K	1	
	C146	CK73HBB1H682K	C CAPACITOR	6800pF 50V K	1	
	C151	CK730BY1E106K	C CAPACITOR	10uF 25V K	1	
	C152	CK730BY1E106K	C CAPACITOR	10uF 25V K	1	
	C153	CK73HBB1H102K	C CAPACITOR	1000pF 50V K	1	
	C154	CK73GBB1H103K	C CAPACITOR	0.01uF 50V K	1	
	C155	CK73HBB1H681K	C CAPACITOR	680pF 50V K	1	
	C161	CD04CZ1E101M	E CAPACITOR	100uF 25V M	1	
	C162	CD04AZ1H220M	E CAPACITOR	22uF 50V M	1	
	C163	CK730BY1E106K	C CAPACITOR	10uF 25V K	1	
	C164	CK73HBB1H821K	C CAPACITOR	820pF 50V K	1	
	C165	NCB31HK-104X	C CAPACITOR	0.1uF 50V K	1	
	C166	CK73FBB1H224K	C CAPACITOR	0.22uF 50V K	1	
	C200	CD04BR1C330M	E CAPACITOR	33uF 16V M	1	
	C201	CK73GBB1C224K	C CAPACITOR	0.22uF 16V K	1	
	C202	CK73GBB1C224K	C CAPACITOR	0.22uF 16V K	1	
	C203	CK73GBB1C224K	C CAPACITOR	0.22uF 16V K	1	
	C204	CK73GBB1C224K	C CAPACITOR	0.22uF 16V K	1	
	C206	NCB31CK-105X	C CAPACITOR	1uF 16V K	1	
	C221	CK73HBB1H221K	C CAPACITOR	220pF 50V K	1	
	C222	CK73HBB1H221K	C CAPACITOR	220pF 50V K	1	
	C223	CK73HBB1H221K	C CAPACITOR	220pF 50V K	1	
	C224	CK73HBB1H221K	C CAPACITOR	220pF 50V K	1	
	C225	CK73HBB1H221K	C CAPACITOR	220pF 50V K	1	
	C226	CK73HBB1H221K	C CAPACITOR	220pF 50V K	1	
	C227	CK73HBB1H221K	C CAPACITOR	220pF 50V K	1	
	C228	CK73HBB1H221K	C CAPACITOR	220pF 50V K	1	
	C241	NCB31CK-105X	C CAPACITOR	1uF 16V K	1	
	C245	NCB31CK-105X	C CAPACITOR	1uF 16V K	1	
	C251	CK730DK1E106K	C CAPACITOR	10uF 25V K	1	
	C252	CK730DK1E106K	C CAPACITOR	10uF 25V K	1	
	C253	CK730DK1E106K	C CAPACITOR	10uF 25V K	1	
	C254	CK730DK1E106K	C CAPACITOR	10uF 25V K	1	
	C255	CK730DK1E106K	C CAPACITOR	10uF 25V K	1	
	C271	CK73HBB1H102K	C CAPACITOR	1000pF 50V K	1	
	C272	CK73HBB1H102K	C CAPACITOR	1000pF 50V K	1	
	C273	CK73HBB1H102K	C CAPACITOR	1000pF 50V K	1	
	C274	CK73HBB1H102K	C CAPACITOR	1000pF 50V K	1	
	C275	CK73HBB1H102K	C CAPACITOR	1000pF 50V K	1	
	C291	CK730DK1E106K	C CAPACITOR	10uF 25V K	1	
	C292	CK730DK1E106K	C CAPACITOR	10uF 25V K	1	
	C295	CK73GBB1H102K	C CAPACITOR	1000pF 50V K	1	
	C296	CK73GBB1H102K	C CAPACITOR	1000pF 50V K	1	
	C301	CD04AS1C470M	E CAPACITOR	47uF 16V M	1	
	C302	CK73HBB1E103K	C CAPACITOR	0.01uF 25V K	1	
	C303	CK73HBB1E103K	E CAPACITOR	0.01uF 25V K	1	
	C304	CD04AS1C470M	E CAPACITOR	47uF 16V M	1	
	C305	NCB31CK-105X	C CAPACITOR	1uF 16V K	1	

MODEL	MARK	MODEL	MARK
DDX9702S	K1	DDX9902S	K0

Safe	Symbol No.	Parts No.	Parts Name	Description	QTY	Local
	C306	NCB31CK-105X	C CAPACITOR	1uF 16V K	1	
	C307	CK730AU0J474K	C CAPACITOR	0.47uF 6.3V K	1	
	C308	NCB31CK-105X	C CAPACITOR	1uF 16V K	1	
	C309	CK730AU0J474K	C CAPACITOR	0.47uF 6.3V K	1	
	C313	CK730BU0J475K	C CAPACITOR	4.7uF 6.3V K	1	
	C314	CK730BU0J475K	C CAPACITOR	4.7uF 6.3V K	1	
	C315	NCB31CK-105X	C CAPACITOR	1uF 16V K	1	
	C316	NCB31CK-105X	C CAPACITOR	1uF 16V K	1	
	C501	QETN1CM-227Z	E CAPACITOR	220uF 16V M	1	
	C503	NCB20JK-106X	C CAPACITOR	10uF 6.3V K	1	
	C504	CK73HBB1H222K	C CAPACITOR	2200pF 50V K	1	
	C505	NCB31CK-105X	C CAPACITOR	1uF 16V K	1	
	C506	NCB31CK-105X	C CAPACITOR	1uF 16V K	1	
	C507	CK73HBB1A104K	C CAPACITOR	0.1uF 10V K	1	
	C508	CK73HBB1A104K	C CAPACITOR	0.1uF 10V K	1	
	C509	NCB31HK-104X	C CAPACITOR	0.1uF 50V K	1	
	C510	CK73HBB1E103K	C CAPACITOR	0.01uF 25V K	1	
	C520	CK73HBB1E103K	C CAPACITOR	0.01uF 25V K	1	
	C521	CK73HBB1E103K	C CAPACITOR	0.01uF 25V K	1	
	C522	CK73HBB1E103K	C CAPACITOR	0.01uF 25V K	1	
	C523	CK73HBB1E103K	C CAPACITOR	0.01uF 25V K	1	
	C524	CK73HBB1E103K	C CAPACITOR	0.01uF 25V K	1	
	C525	CK73HBB1E103K	C CAPACITOR	0.01uF 25V K	1	
	C527	CK73HBB1E103K	C CAPACITOR	0.01uF 25V K	1	
	C530	CK73HBB1E103K	C CAPACITOR	0.01uF 25V K	1	
	C531	CK73HBB1E103K	C CAPACITOR	0.01uF 25V K	1	
	C532	CK73HBB1E103K	C CAPACITOR	0.01uF 25V K	1	
	C533	CK73HBB1E103K	C CAPACITOR	0.01uF 25V K	1	
	C534	CK73HBB1E103K	C CAPACITOR	0.01uF 25V K	1	
	C535	CK73HBB1E103K	C CAPACITOR	0.01uF 25V K	1	
	C536	CK73HBB1E103K	C CAPACITOR	0.01uF 25V K	1	
	C537	CK73HBB1E103K	C CAPACITOR	0.01uF 25V K	1	
	C541	NCB31CK-105X	C CAPACITOR	1uF 16V K	1	
	C542	CK73HBB1E103K	C CAPACITOR	0.01uF 25V K	1	
	C544	CK73HBB1H102K	C CAPACITOR	1000pF 50V K	1	
	C551	CC73HCH1H100D	C CAPACITOR	10pF 50V D	1	
	C552	CC73HCH1H100D	C CAPACITOR	10pF 50V D	1	
	C561	CC73GCH1H220J	C CAPACITOR	22pF 50V J	1	
	C562	CC73GCH1H220J	C CAPACITOR	22pF 50V J	1	
	C571	CK73HBB1E103K	C CAPACITOR	0.01uF 25V K	1	
	C591	QETN1CM-107Z	E CAPACITOR	100uF 16V M	1	
	C592	NCB20JK-106X	C CAPACITOR	10uF 6.3V K	1	
	C594	NCB31CK-105X	C CAPACITOR	1uF 16V K	1	
	C595	NCB31CK-105X	C CAPACITOR	1uF 16V K	1	
	C601	NCB31CK-105X	C CAPACITOR	1uF 16V K	1	
	C602	NCB31CK-105X	C CAPACITOR	1uF 16V K	1	
	C624	CK73HBB1E103K	C CAPACITOR	0.01uF 25V K	1	
	C651	CK73HBB1E103K	C CAPACITOR	0.01uF 25V K	1	
	C652	CK73HBB1A104K	C CAPACITOR	0.1uF 10V K	1	
	C653	CK730BU0J106M	C CAPACITOR	10uF 6.3V M	1	
	C654	NCB31CK-105X	C CAPACITOR	1uF 16V K	1	
	C655	NCB31CK-105X	C CAPACITOR	1uF 16V K	1	
	C656	NCB31CK-105X	C CAPACITOR	1uF 16V K	1	
	C657	NCB31CK-105X	C CAPACITOR	1uF 16V K	1	
	C658	CK730BU0J106M	C CAPACITOR	10uF 6.3V M	1	
	C671	CK730BU0J106M	C CAPACITOR	10uF 6.3V M	1	
	C672	CK730BU0J106M	C CAPACITOR	10uF 6.3V M	1	
	C694	CC73HCH1H102J	C CAPACITOR	1000pF 50V J	1	
	C695	CK73GBB1H103K	C CAPACITOR	0.01uF 50V K	1	
	C701	NCB31CK-105X	C CAPACITOR	1uF 16V K	1	
	C702	NCB31CK-105X	C CAPACITOR	1uF 16V K	1	
	C703	CK730BU0J106M	C CAPACITOR	10uF 6.3V M	1	
	C711	CK73HBB1C104K	C CAPACITOR	0.1uF 16V K	1	
	C721	CK73HBB1C104K	C CAPACITOR	0.1uF 16V K	1	
	C741	CK730BU0J475K	C CAPACITOR	4.7uF 6.3V K	1	
	C742	CK730BU0J475K	C CAPACITOR	4.7uF 6.3V K	1	
	C745	CK730BU0J106M	C CAPACITOR	10uF 6.3V M	1	
	C751	CC73HCH1H331J	C CAPACITOR	330pF 50V J	1	
	C752	CC73HCH1H331J	C CAPACITOR	330pF 50V J	1	
	C753	CK73HBB1C103K	C CAPACITOR	0.01uF 16V K	1	
	C791	QETN1CM-107Z	E CAPACITOR	100uF 16V M	1	
	C851	NCB31CK-105X	C CAPACITOR	1uF 16V K	1	
	C852	NCB31CK-105X	C CAPACITOR	1uF 16V K	1	
	C853	CK73GBB1H103K	C CAPACITOR	0.01uF 50V K	1	
	C854	NCB31HK-104X	C CAPACITOR	0.1uF 50V K	1	
	C855	CK730BU0J106M	C CAPACITOR	10uF 6.3V M	1	
	C861	CK73HBB1E103K	C CAPACITOR	0.01uF 25V K	1	
	C862	CK73HBB1A104K	C CAPACITOR	0.1uF 10V K	1	
	C864	NCB31CK-105X	C CAPACITOR	1uF 16V K	1	
	C901	CK73GBB1H222K	C CAPACITOR	2200pF 50V K	1	
	C902	CK73GBB1H222K	C CAPACITOR	2200pF 50V K	1	
	C903	CK73GBB1H222K	C CAPACITOR	2200pF 50V K	1	
	C904	CK73GBB1H222K	C CAPACITOR	2200pF 50V K	1	
	C905	CK73GBB1H222K	C CAPACITOR	2200pF 50V K	1	
	C906	CK73GBB1H222K	C CAPACITOR	2200pF 50V K	1	
	C911	CK730BU0J475K	C CAPACITOR	4.7uF 6.3V K	1	
	C912	CK730BU0J475K	C CAPACITOR	4.7uF 6.3V K	1	
	C913	CK730BU0J475K	C CAPACITOR	4.7uF 6.3V K	1	
	C914	CK730BU0J475K	C CAPACITOR	4.7uF 6.3V K	1	
	C915	CK730BU0J475K	C CAPACITOR	4.7uF 6.3V K	1	
	C916	CK730BU0J475K	C CAPACITOR	4.7uF 6.3V K	1	
	C917	NCB31CK-105X	C CAPACITOR	1uF 16V K	1	
	C918	NCB31CK-105X	C CAPACITOR	1uF 16V K	1	

MODEL	MARK	MODEL	MARK
DDX9702S	K1	DDX9902S	K0

Safe	Symbol No.	Parts No.	Parts Name	Description	QTY	Local
	C921	CC73HCH1H100D	C CAPACITOR	10pF 50V D	1	
	C922	CC73HCH1H100D	C CAPACITOR	10pF 50V D	1	
	C925	CK730BU0J106M	C CAPACITOR	10uF 6.3V M	1	
	C926	CK73HBB1C104K	C CAPACITOR	0.1uF 16V K	1	
	C927	CK73HBB1C103K	C CAPACITOR	0.01uF 16V K	1	
	C928	NCB31CK-105X	C CAPACITOR	1uF 16V K	1	
	C930	CK73GBB1H102K	C CAPACITOR	1000pF 50V K	1	
	C931	CK730BU0J106M	C CAPACITOR	10uF 6.3V M	1	
	C932	CK73HBB1C104K	C CAPACITOR	0.1uF 16V K	1	
	C933	CK730BU0J106M	C CAPACITOR	10uF 6.3V M	1	
	C934	CK73HBB1C104K	C CAPACITOR	0.1uF 16V K	1	
	C935	NCB30JK-225X	C CAPACITOR	2.2uF 6.3V K	1	
	C936	CK73HBB1C104K	C CAPACITOR	0.1uF 16V K	1	
	C937	CK730BU0J106M	C CAPACITOR	10uF 6.3V M	1	
	C938	CK73HBB1C104K	C CAPACITOR	0.1uF 16V K	1	
	C941	NCB31CK-105X	C CAPACITOR	1uF 16V K	1	
	C942	NCB31CK-105X	C CAPACITOR	1uF 16V K	1	
	C943	NCB31CK-105X	C CAPACITOR	1uF 16V K	1	
	C944	NCB31CK-105X	C CAPACITOR	1uF 16V K	1	
	C945	NCB31CK-105X	C CAPACITOR	1uF 16V K	1	
	C946	NCB31CK-105X	C CAPACITOR	1uF 16V K	1	
	C947	CD04AS1C470M	E CAPACITOR	47uF 16V M	1	
	C948	CK73HBB1C103K	C CAPACITOR	0.01uF 16V K	1	
	C949	CD04AS1C220M	E CAPACITOR	22uF 16V M	1	
	C954	NCB31HK-104X	C CAPACITOR	0.1uF 50V K	1	
	C961	CK730DK1E106K	C CAPACITOR	10uF 25V K	1	K0
	C962	CK730DK1E106K	C CAPACITOR	10uF 25V K	1	K0
	C963	CK730DK1E106K	C CAPACITOR	10uF 25V K	1	K0
	C964	CK730DK1E106K	C CAPACITOR	10uF 25V K	1	K0
	C965	CK730DK1E106K	C CAPACITOR	10uF 25V K	1	K0
	C970	CK730BW1C106K	C CAPACITOR	10uF 16V K	1	K0
	C971	CK73HBB1E103K	C CAPACITOR	0.01uF 25V K	1	K0
	C972	NCB31CK-105X	C CAPACITOR	1uF 16V K	1	K0
	C973	NCB31CK-105X	C CAPACITOR	1uF 16V K	1	K0
	C974	NCB31CK-105X	C CAPACITOR	1uF 16V K	1	K0
	C976	NCB31CK-105X	C CAPACITOR	1uF 16V K	1	K0
	C978	NCB31CK-105X	C CAPACITOR	1uF 16V K	1	K0
	C979	CK73GBB1H102K	C CAPACITOR	1000pF 50V K	1	K0
	C2021	CC73HCH1H030C	C CAPACITOR	3pF 50V C	1	
	C2022	CC73HCH1H070D	C CAPACITOR	7pF 50V D	1	
	C2023	CC73HCH1H100D	C CAPACITOR	10pF 50V D	1	
	R11	RK73GH2A562D	MG RESISTOR	5.6kΩ 1/10W D	1	
	R12	RK73GH2A431D	MG RESISTOR	430Ω 1/10W D	1	
	R13	RK73GH2A751D	MG RESISTOR	750Ω 1/10W D	1	
	R15	RK73GH2A273D	MG RESISTOR	27kΩ 1/10W D	1	
	R16	RK73GB2A000J	MG RESISTOR	0Ω 1/10W J	1	
	R17	RK73GH2A472D	MG RESISTOR	4.7kΩ 1/10W D	1	
	R18	RK73HB1J101J	MG RESISTOR	100Ω 1/16W J	1	
	R19	RK73HB1J000J	MG RESISTOR	0Ω 1/16W J	1	
	R23	RK73FB2B000J	MG RESISTOR	0Ω 1/8W J	1	
	R24	RK73FB2B000J	MG RESISTOR	0Ω 1/8W J	1	
	R25	RK73FB2B000J	MG RESISTOR	0Ω 1/8W J	1	
	R26	RK73FB2B000J	MG RESISTOR	0Ω 1/8W J	1	
	R27	RK73FB2B000J	MG RESISTOR	0Ω 1/8W J	1	
	R31	RK73GB2A683J	MG RESISTOR	68kΩ 1/10W J	1	
	R32	RK73GB2A473J	MG RESISTOR	47kΩ 1/10W J	1	
	R33	RK73HB1J153J	MG RESISTOR	15kΩ 1/16W J	1	
	R34	RK73HB1J473J	MG RESISTOR	47kΩ 1/16W J	1	
	R35	RK73HB1J103J	MG RESISTOR	10kΩ 1/16W J	1	
	R36	RK73HB1J912J	MG RESISTOR	9.1kΩ 1/16W J	1	
	R41	RK73EB2E153J	MG RESISTOR	15kΩ 1/4W J	1	
	R44	RK73HB1J822J	MG RESISTOR	8.2kΩ 1/16W J	1	
	R45	RK73EB2E102J	MG RESISTOR	1kΩ 1/4W J	1	
	R46	RK73EB2E102J	MG RESISTOR	1kΩ 1/4W J	1	
	R47	RK73EB2E102J	MG RESISTOR	1kΩ 1/4W J	1	
	R51	RK73GB2A223J	MG RESISTOR	22kΩ 1/10W J	1	
	R52	RK73GB2A472J	MG RESISTOR	4.7kΩ 1/10W J	1	
	R53	RK73GB2A472J	MG RESISTOR	4.7kΩ 1/10W J	1	
	R54	RK73HB1J333J	MG RESISTOR	33kΩ 1/16W J	1	
	R55	RK73HB1J223J	MG RESISTOR	22kΩ 1/16W J	1	
	R71	RK73GB2A152J	MG RESISTOR	1.5kΩ 1/10W J	1	
	R81	RK73FB2B472J	MG RESISTOR	4.7kΩ 1/8W J	1	
	R82	RK73FB2B472J	MG RESISTOR	4.7kΩ 1/8W J	1	
	R101	RK73HB1J223J	MG RESISTOR	22kΩ 1/16W J	1	
	R102	RK73HB1J103J	MG RESISTOR	10kΩ 1/16W J	1	
	R103	RK73HB1J471J	MG RESISTOR	470Ω 1/16W J	1	
	R104	RK73HB1J103J	MG RESISTOR	10kΩ 1/16W J	1	
	R105	RK73HB1J472J	MG RESISTOR	4.7kΩ 1/16W J	1	
	R114	RK73HB1J101J	MG RESISTOR	100Ω 1/16W J	1	
	R115	RK73HB1J000J	MG RESISTOR	0Ω 1/16W J	1	
	R116	RK73GB2A223J	MG RESISTOR	22kΩ 1/10W J	1	
	R117	RK73HB1J101J	MG RESISTOR	100Ω 1/16W J	1	
	R118	RK73HB1J274J	MG RESISTOR	270kΩ 1/16W J	1	
	R119	RK73HB1J113J	MG RESISTOR	11kΩ 1/16W J	1	
	R120	RK73HB1J163J	MG RESISTOR	16kΩ 1/16W J	1	
	R121	RK73HH1J223D	MG RESISTOR	22kΩ 1/16W D	1	
	R122	RK73HB1J000J	MG RESISTOR	0Ω 1/16W J	1	
	R123	RK73HH1J203D	MG RESISTOR	20kΩ 1/16W D	1	
	R124	RK73HH1J333D	MG RESISTOR	33kΩ 1/16W D	1	
	R125	RK73HB1J472J	MG RESISTOR	4.7kΩ 1/16W J	1	
	R126	RK73HB1J473J	MG RESISTOR	47kΩ 1/16W J	1	
	R127	RK73EB2E111J	MG RESISTOR	110Ω 1/4W J	1	

MODEL	MARK	MODEL	MARK
DDX9702S	K1	DDX9902S	K0

Safe	Symbol No.	Parts No.	Parts Name	Description	QTY	Local
	R128	RK73GB2A000J	MG RESISTOR	0Ω 1/10W J	1	
	R131	RK73HB1J101J	MG RESISTOR	100Ω 1/16W J	1	
	R132	RK73HB1J470J	MG RESISTOR	47Ω 1/16W J	1	
	R133	RK73HB1J473J	MG RESISTOR	47kΩ 1/16W J	1	
	R141	RK73HH1J124D	MG RESISTOR	120kΩ 1/16W D	1	
	R142	RK73HH1J303D	MG RESISTOR	30kΩ 1/16W D	1	
	R143	RK73HB1J000J	MG RESISTOR	0Ω 1/16W J	1	
	R144	RK73HB1J103J	MG RESISTOR	10kΩ 1/16W J	1	
	R145	RK73PB2H100J	MG RESISTOR	10Ω 1/2W J	1	
	R146	RK73HB1J223J	MG RESISTOR	22kΩ 1/16W J	1	
	R147	RK73GB2A000J	MG RESISTOR	0Ω 1/10W J	1	
	R150	RK73GB2A000J	MG RESISTOR	0Ω 1/10W J	1	
	R151	RK73HB1J101J	MG RESISTOR	100Ω 1/16W J	1	
	R152	RK73HH1J563D	MG RESISTOR	56kΩ 1/16W D	1	
	R153	RK73PB2H100J	MG RESISTOR	10Ω 1/2W J	1	
	R154	RK73HH1J472D	MG RESISTOR	4.7kΩ 1/16W D	1	
	R155	RK73HH1J103D	MG RESISTOR	10kΩ 1/16W D	1	
	R156	RK73HB1J000J	MG RESISTOR	0Ω 1/16W J	1	
	R157	RK73HH1J164D	MG RESISTOR	160kΩ 1/16W D	1	
	R158	RK73EB2E560J	MG RESISTOR	56Ω 1/4W J	1	
	R160	RK73GB2A000J	MG RESISTOR	0Ω 1/10W J	1	
	R161	RK73HH1J104D	MG RESISTOR	100kΩ 1/16W D	1	
	R162	RK73HH1J563D	MG RESISTOR	56kΩ 1/16W D	1	
	R163	RK73HB1J000J	MG RESISTOR	0Ω 1/16W J	1	
	R164	RK73HB1J000J	MG RESISTOR	0Ω 1/16W J	1	
	R165	NRZ0126-R062X	MG RESISTOR	0.062Ω 1/3W J	1	
	R205	RK73HB1J6R8J	MG RESISTOR	6.8Ω 1/16W J	1	
	R240	RK73HB1J000J	MG RESISTOR	0Ω 1/16W J	1	
	R241	RK73GB2A223J	MG RESISTOR	22kΩ 1/10W J	1	
	R242	RK73HB1J331J	MG RESISTOR	330Ω 1/16W J	1	
	R243	RK73HB1J223J	MG RESISTOR	22kΩ 1/16W J	1	
	R244	RK73HB1J182J	MG RESISTOR	1.8kΩ 1/16W J	1	
	R245	RK73HB1J333J	MG RESISTOR	33kΩ 1/16W J	1	
	R246	RK73HB1J000J	MG RESISTOR	0Ω 1/16W J	1	
	R248	RK73HB1J000J	MG RESISTOR	0Ω 1/16W J	1	
	R251	RK73HB1J471J	MG RESISTOR	470Ω 1/16W J	1	
	R252	RK73HB1J471J	MG RESISTOR	470Ω 1/16W J	1	
	R253	RK73HB1J471J	MG RESISTOR	470Ω 1/16W J	1	
	R254	RK73HB1J471J	MG RESISTOR	470Ω 1/16W J	1	
	R255	RK73HB1J471J	MG RESISTOR	470Ω 1/16W J	1	
	R261	RK73HB1J223J	MG RESISTOR	22kΩ 1/16W J	1	
	R262	RK73HB1J223J	MG RESISTOR	22kΩ 1/16W J	1	
	R263	RK73HB1J223J	MG RESISTOR	22kΩ 1/16W J	1	
	R264	RK73HB1J223J	MG RESISTOR	22kΩ 1/16W J	1	
	R265	RK73HB1J223J	MG RESISTOR	22kΩ 1/16W J	1	
	R271	RK73GB2A101J	MG RESISTOR	100Ω 1/10W J	1	
	R272	RK73GB2A101J	MG RESISTOR	100Ω 1/10W J	1	
	R273	RK73GB2A101J	MG RESISTOR	100Ω 1/10W J	1	
	R274	RK73GB2A101J	MG RESISTOR	100Ω 1/10W J	1	
	R275	RK73GB2A101J	MG RESISTOR	100Ω 1/10W J	1	
	R281	RK73HB1J000J	MG RESISTOR	0Ω 1/16W J	1	K1
	R282	RK73HB1J000J	MG RESISTOR	0Ω 1/16W J	1	K1
	R283	RK73HB1J000J	MG RESISTOR	0Ω 1/16W J	1	K1
	R284	RK73HB1J000J	MG RESISTOR	0Ω 1/16W J	1	K1
	R285	RK73HB1J000J	MG RESISTOR	0Ω 1/16W J	1	K1
	R291	RK73HB1J471J	MG RESISTOR	470Ω 1/16W J	1	
	R292	RK73HB1J471J	MG RESISTOR	470Ω 1/16W J	1	
	R293	RK73GB2A223J	MG RESISTOR	22kΩ 1/10W J	1	
	R294	RK73GB2A223J	MG RESISTOR	22kΩ 1/10W J	1	
	R295	RK73GB2A101J	MG RESISTOR	100Ω 1/10W J	1	
	R296	RK73GB2A101J	MG RESISTOR	100Ω 1/10W J	1	
	R297	RK73HB1J473J	MG RESISTOR	47kΩ 1/16W J	1	
	R301	RK73GB2A2R2J	MG RESISTOR	2.2Ω 1/10W J	1	
	R302	RK73HB1J102J	MG RESISTOR	1kΩ 1/16W J	1	
	R304	RK73HB1J103J	MG RESISTOR	10kΩ 1/16W J	1	
	R305	RK73HB1J101J	MG RESISTOR	100Ω 1/16W J	1	
	R306	RK73HB1J101J	MG RESISTOR	100Ω 1/16W J	1	
	R307	RK73HB1J101J	MG RESISTOR	100Ω 1/16W J	1	
	R501	RK73HB1J473J	MG RESISTOR	47kΩ 1/16W J	1	
	R502	RK73HB1J102J	MG RESISTOR	1kΩ 1/16W J	1	
	R503	RK73HB1J153J	MG RESISTOR	15kΩ 1/16W J	1	
	R504	RK73GB2A154J	MG RESISTOR	150kΩ 1/10W J	1	
	R505	RK73HB1J101J	MG RESISTOR	100Ω 1/16W J	1	
	R507	RK73HB1J101J	MG RESISTOR	100Ω 1/16W J	1	
	R509	RK73HB1J000J	MG RESISTOR	0Ω 1/16W J	1	
	R510	RK73HB1J472J	MG RESISTOR	4.7kΩ 1/16W J	1	
	R512	RK73HB1J753J	MG RESISTOR	75kΩ 1/16W J	1	
	R513	RK73HB1J473J	MG RESISTOR	47kΩ 1/16W J	1	K0
	R514	RK73HB1J473J	MG RESISTOR	47kΩ 1/16W J	1	K1
	R515	RK73HB1J473J	MG RESISTOR	47kΩ 1/16W J	1	
	R517	RK73HB1J473J	MG RESISTOR	47kΩ 1/16W J	1	
	R518	RK73HB1J473J	MG RESISTOR	47kΩ 1/16W J	1	K0
	R519	RK73HB1J101J	MG RESISTOR	100Ω 1/16W J	1	
	R520	RK73HB1J473J	MG RESISTOR	47kΩ 1/16W J	1	
	R522	RK73HB1J753J	MG RESISTOR	75kΩ 1/16W J	1	
	R523	RK73HB1J103J	MG RESISTOR	10kΩ 1/16W J	1	
	R524	RK73HB1J753J	MG RESISTOR	75kΩ 1/16W J	1	
	R526	RK73HB1J123J	MG RESISTOR	12kΩ 1/16W J	1	
	R527	RK73HB1J473J	MG RESISTOR	47kΩ 1/16W J	1	
	R529	RK73HB1J106J	MG RESISTOR	10MΩ 1/16W J	1	
	R531	RK73HB1J102J	MG RESISTOR	1kΩ 1/16W J	1	
	R532	RK73HB1J102J	MG RESISTOR	1kΩ 1/16W J	1	

MODEL	MARK	MODEL	MARK
DDX9702S	K1	DDX9902S	K0

Safe	Symbol No.	Parts No.	Parts Name	Description	QTY	Local
	R533	RK73HB1J123J	MG RESISTOR	12kΩ 1/16W J	1	
	R534	RK73HB1J123J	MG RESISTOR	12kΩ 1/16W J	1	
	R537	RK73HB1J473J	MG RESISTOR	47kΩ 1/16W J	1	
	R538	RK73HB1J473J	MG RESISTOR	47kΩ 1/16W J	1	
	R539	RK73HB1J473J	MG RESISTOR	47kΩ 1/16W J	1	
	R540	RK73HB1J474J	MG RESISTOR	470kΩ 1/16W J	1	
	R542	RK73HB1J473J	MG RESISTOR	47kΩ 1/16W J	1	
	R545	RK73HB1J101J	MG RESISTOR	100Ω 1/16W J	1	
	R546	RK73HB1J473J	MG RESISTOR	47kΩ 1/16W J	1	
	R547	RK73HB1J101J	MG RESISTOR	100Ω 1/16W J	1	
	R548	RK73HB1J104J	MG RESISTOR	100kΩ 1/16W J	1	
	R549	RK73HB1J101J	MG RESISTOR	100Ω 1/16W J	1	
	R550	RK73HB1J473J	MG RESISTOR	47kΩ 1/16W J	1	
	R551	RK73HB1J103J	MG RESISTOR	10kΩ 1/16W J	1	
	R552	RK73HB1J223J	MG RESISTOR	22kΩ 1/16W J	1	
	R553	RK73HB1J223J	MG RESISTOR	22kΩ 1/16W J	1	
	R554	RK73HB1J473J	MG RESISTOR	47kΩ 1/16W J	1	
	R555	RK73HB1J473J	MG RESISTOR	47kΩ 1/16W J	1	
	R556	RK73HB1J222J	MG RESISTOR	2.2kΩ 1/16W J	1	
	R557	RK73HB1J101J	MG RESISTOR	100Ω 1/16W J	1	
	R558	RK73HB1J104J	MG RESISTOR	100kΩ 1/16W J	1	
	R561	RK73HB1J101J	MG RESISTOR	100Ω 1/16W J	1	
	R562	RK73HB1J101J	MG RESISTOR	100Ω 1/16W J	1	
	R563	RK73HB1J101J	MG RESISTOR	100Ω 1/16W J	1	
	R564	RK73HB1J101J	MG RESISTOR	100Ω 1/16W J	1	
	R565	RK73HB1J101J	MG RESISTOR	100Ω 1/16W J	1	
	R566	RK73HB1J101J	MG RESISTOR	100Ω 1/16W J	1	
	R567	RK73HB1J104J	MG RESISTOR	100kΩ 1/16W J	1	
	R570	RK73HB1J101J	MG RESISTOR	100Ω 1/16W J	1	
	R571	RK73HB1J101J	MG RESISTOR	100Ω 1/16W J	1	
	R572	RK73HB1J101J	MG RESISTOR	100Ω 1/16W J	1	
	R573	RK73HB1J472J	MG RESISTOR	4.7kΩ 1/16W J	1	
	R574	RK73HB1J472J	MG RESISTOR	4.7kΩ 1/16W J	1	
	R575	RK73HB1J101J	MG RESISTOR	100Ω 1/16W J	1	
	R576	RK73HB1J101J	MG RESISTOR	100Ω 1/16W J	1	
	R578	RK73HB1J472J	MG RESISTOR	4.7kΩ 1/16W J	1	
	R579	RK73HB1J472J	MG RESISTOR	4.7kΩ 1/16W J	1	
	R581	RK73HB1J101J	MG RESISTOR	100Ω 1/16W J	1	
	R582	RK73HB1J272J	MG RESISTOR	2.7kΩ 1/16W J	1	
	R583	RK73GB2A272J	MG RESISTOR	2.7kΩ 1/10W J	1	
	R584	RK73GB2A272J	MG RESISTOR	2.7kΩ 1/10W J	1	
	R585	RK73HB1J101J	MG RESISTOR	100Ω 1/16W J	1	
	R586	RK73HB1J101J	MG RESISTOR	100Ω 1/16W J	1	
	R587	RK73HB1J101J	MG RESISTOR	100Ω 1/16W J	1	
	R588	RK73HB1J272J	MG RESISTOR	2.7kΩ 1/16W J	1	
	R589	RK73HB1J101J	MG RESISTOR	100Ω 1/16W J	1	
	R591	RK73GB2A000J	MG RESISTOR	0Ω 1/10W J	1	
	R592	RK73HB1J473J	MG RESISTOR	47kΩ 1/16W J	1	
	R593	RK73HB1J473J	MG RESISTOR	47kΩ 1/16W J	1	
	R594	RK73HB1J104J	MG RESISTOR	100kΩ 1/16W J	1	
	R595	RK73HB1J102J	MG RESISTOR	1kΩ 1/16W J	1	
	R611	RK73HB1J104J	MG RESISTOR	100kΩ 1/16W J	1	
	R612	RK73HB1J473J	MG RESISTOR	47kΩ 1/16W J	1	
	R615	RK73HB1J101J	MG RESISTOR	100Ω 1/16W J	1	
	R621	RK73HB1J470J	MG RESISTOR	47Ω 1/16W J	1	
	R622	RK73HB1J470J	MG RESISTOR	47Ω 1/16W J	1	
	R623	RK73HB1J470J	MG RESISTOR	47Ω 1/16W J	1	
	R624	RK73HB1J272J	MG RESISTOR	2.7kΩ 1/16W J	1	
	R625	RK73HB1J272J	MG RESISTOR	2.7kΩ 1/16W J	1	
	R626	RK73HB1J101J	MG RESISTOR	100Ω 1/16W J	1	
	R671	RK73HB1J471J	MG RESISTOR	470Ω 1/16W J	1	
	R672	RK73HB1J471J	MG RESISTOR	470Ω 1/16W J	1	
	R673	RK73HB1J223J	MG RESISTOR	22kΩ 1/16W J	1	
	R674	RK73HB1J223J	MG RESISTOR	22kΩ 1/16W J	1	
	R675	RK73HB1J102J	MG RESISTOR	1kΩ 1/16W J	1	
	R676	RK73HB1J102J	MG RESISTOR	1kΩ 1/16W J	1	
	R681	RK73HB1J101J	MG RESISTOR	100Ω 1/16W J	1	
	R682	RK73HB1J101J	MG RESISTOR	100Ω 1/16W J	1	
	R683	RK73HB1J472J	MG RESISTOR	4.7kΩ 1/16W J	1	
	R684	RK73HB1J472J	MG RESISTOR	4.7kΩ 1/16W J	1	
	R701	RK73GB2A100J	MG RESISTOR	10Ω 1/10W J	1	
	R702	RK73GB2A100J	MG RESISTOR	10Ω 1/10W J	1	
	R703	RK73GB2A4R7J	MG RESISTOR	4.7Ω 1/10W J	1	
	R704	RK73GB2A102J	MG RESISTOR	1kΩ 1/10W J	1	
	R711	RK73GB2A101J	MG RESISTOR	100Ω 1/10W J	1	
	R712	RK73GB2A101J	MG RESISTOR	100Ω 1/10W J	1	
	R713	RK73GB2A101J	MG RESISTOR	100Ω 1/10W J	1	
	R714	RK73HB1J272J	MG RESISTOR	2.7kΩ 1/16W J	1	
	R715	RK73HB1J272J	MG RESISTOR	2.7kΩ 1/16W J	1	
	R721	RK73HB1J473J	MG RESISTOR	47kΩ 1/16W J	1	
	R722	RK73HB1J101J	MG RESISTOR	100Ω 1/16W J	1	
	R723	RK73HB1J101J	MG RESISTOR	100Ω 1/16W J	1	
	R724	RK73HB1J473J	MG RESISTOR	47kΩ 1/16W J	1	
	R725	RK73HB1J223J	MG RESISTOR	22kΩ 1/16W J	1	
	R726	RK73HB1J753J	MG RESISTOR	75kΩ 1/16W J	1	
	R741	RK73GB2A000J	MG RESISTOR	0Ω 1/10W J	1	
	R742	RK73GB2A000J	MG RESISTOR	0Ω 1/10W J	1	
	R751	RK73HB1J101J	MG RESISTOR	100Ω 1/16W J	1	
	R752	RK73HB1J101J	MG RESISTOR	100Ω 1/16W J	1	
	R755	RK73HB1J912J	MG RESISTOR	9.1kΩ 1/16W J	1	
	R756	RK73HB1J223J	MG RESISTOR	22kΩ 1/16W J	1	
	R757	RK73HB1J104J	MG RESISTOR	100kΩ 1/16W J	1	
	R783	RK73HB1J473J	MG RESISTOR	47kΩ 1/16W J	1	

MODEL	MARK	MODEL	MARK
DDX9702S	K1	DDX9902S	K0

Safe	Symbol No.	Parts No.	Parts Name	Description	QTY	Local
	R791	RK73HB1J102J	MG RESISTOR	1kΩ 1/16W J	1	
	R792	RK73HB1J222J	MG RESISTOR	2.2kΩ 1/16W J	1	
	R793	RK73HB1J472J	MG RESISTOR	4.7kΩ 1/16W J	1	
	R808	RK73HB1J000J	MG RESISTOR	0Ω 1/16W J	1	
	R809	RK73HB1J000J	MG RESISTOR	0Ω 1/16W J	1	
	R810	RK73FB2B000J	MG RESISTOR	0Ω 1/8W J	1	
	R831	RK73GB2A000J	MG RESISTOR	0Ω 1/10W J	1	
	R832	RK73GB2A000J	MG RESISTOR	0Ω 1/10W J	1	
	R833	RK73GB2A000J	MG RESISTOR	0Ω 1/10W J	1	
	R834	RK73GB2A000J	MG RESISTOR	0Ω 1/10W J	1	
	R843	RK73HB1J473J	MG RESISTOR	47kΩ 1/16W J	1	
	R844	RK73HB1J101J	MG RESISTOR	100Ω 1/16W J	1	
	R851	RK73HB1J473J	MG RESISTOR	47kΩ 1/16W J	1	
	R852	RK73HB1J102J	MG RESISTOR	1kΩ 1/16W J	1	
	R891	RK73GB2A000J	MG RESISTOR	0Ω 1/10W J	1	
	R892	RK73GB2A000J	MG RESISTOR	0Ω 1/10W J	1	
	R901	RK73HB1J471J	MG RESISTOR	470Ω 1/16W J	1	
	R902	RK73HB1J471J	MG RESISTOR	470Ω 1/16W J	1	
	R903	RK73HB1J471J	MG RESISTOR	470Ω 1/16W J	1	
	R904	RK73HB1J471J	MG RESISTOR	470Ω 1/16W J	1	
	R905	RK73HB1J471J	MG RESISTOR	470Ω 1/16W J	1	
	R906	RK73HB1J471J	MG RESISTOR	470Ω 1/16W J	1	
	R921	RK73HB1J102J	MG RESISTOR	1kΩ 1/16W J	1	
	R922	RK73HB1J105J	MG RESISTOR	1MΩ 1/16W J	1	
	R925	RK73GB2A2R2J	MG RESISTOR	2.2Ω 1/10W J	1	
	R926	RK73HB1J101J	MG RESISTOR	100Ω 1/16W J	1	
	R927	RK73HB1J473J	MG RESISTOR	47kΩ 1/16W J	1	
	R928	RK73HB1J101J	MG RESISTOR	100Ω 1/16W J	1	
	R929	RK73HB1J101J	MG RESISTOR	100Ω 1/16W J	1	
	R930	RK73GB2A331J	MG RESISTOR	330Ω 1/10W J	1	
	R931	RK73GB2A2R2J	MG RESISTOR	2.2Ω 1/10W J	1	
	R932	RK73EB2E000J	MG RESISTOR	0Ω 1/4W J	1	
	R941	RK73HB1J102J	MG RESISTOR	1kΩ 1/16W J	1	
	R942	RK73HB1J222J	MG RESISTOR	2.2kΩ 1/16W J	1	
	R951	RK73GB2A000J	MG RESISTOR	0Ω 1/10W J	1	
	R952	RK73GB2A000J	MG RESISTOR	0Ω 1/10W J	1	
	R966	RK73HB1J272J	MG RESISTOR	2.7kΩ 1/16W J	1	
	R971	RK73GB2A2R2J	MG RESISTOR	2.2Ω 1/10W J	1	K0
	R972	RK73GB2A2R2J	MG RESISTOR	2.2Ω 1/10W J	1	K0
	R974	RK73HB1J102J	MG RESISTOR	1kΩ 1/16W J	1	K0
	R975	RK73HB1J100J	MG RESISTOR	10Ω 1/16W J	1	K0
	R976	RK73HB1J684J	MG RESISTOR	680kΩ 1/16W J	1	K0
	R2021	RK73HB1J100J	MG RESISTOR	10Ω 1/16W J	1	
	R3003	RK73HB1J473J	MG RESISTOR	47kΩ 1/16W J	1	
	RA581	RK74HB1J470J	NET RESISTOR	47Ω 1/16W J	1	
	RA611	RK74HB1J470J	NET RESISTOR	47Ω 1/16W J	1	
	RA791	RK74HB1J102J	NET RESISTOR	1kΩ 1/16W J	1	
	RA841	RK74HB1J470J	NET RESISTOR	47Ω 1/16W J	1	
	L1	QQR1883-002	CHOKE COIL		1	
	L121	NQLL8EM-100X	INDUCTOR	10uH M	1	
	L141	LR79Z0DE220M	CHIP INDUCTOR	22uH	1	
	L151	NQLL8EM-470X	INDUCTOR	47uH M	1	
	L501	NQR0199-003X	FERRITE BEADS		1	
	L601	NQR0154-005X	FERRITE CORE		1	
	L602	LR73Z0AD4R7M	CHIP INDUCTOR	4.7uH	1	
	L652	LR79Z0AG100M	CHIP INDUCTOR	10uH	1	
	L701	LR73Z0AD4R7M	CHIP INDUCTOR	4.7uH	1	
	L851	LR73Z0AD4R7M	CHIP INDUCTOR	4.7uH	1	
	L961	LK73G0AQ1R0K	M.CHIP INDUCTOR	1uH	1	K0
	A801	QAU0556-001	TUNER		1	
	CN1	QGA2501C1-02	W TO B CONNE	W-B (1-2)	1	
	CN501	QGF0534F7-60X	FFC/FPC CONNE	FFC/FPC (1-60)	1	
	CN502	QGF0536CA-20W	FFC/FPC CONNE	FFC/FPC (1-20)	1	
	CN591	QGA1002F1-08X	W TO B CONNE	W-B (1-8)	1	
	CN602	QGF0567F1-45W	FFC/FPC CONNE	FFC/FPC (1-45)	1	
	CN651	QGF0534F7-40X	FFC/FPC CONNE	FFC/FPC (1-40)	1	
	CN791	QGF0534F7-08X	FFC/FPC CONNE	FFC/FPC (1-8)	1	
△	F101	NMFZ032-4R0X-H	FUSE	4A	1	
	J1	QNZ0607-001	CAR CONNECTOR		1	
	J271	QNN0861-001	PIN JACK		1	
	J291	QNS0307-001	3.5 JACK		1	
	J701	QNZ0907-001	CIR CONNECTOR		1	
	TH241	NAD0052-471X	P THERMISTOR	470Ω	1	
	VA271	NAF0045-180X	VARIATOR(ZNR)		1	
	VA272	NAF0045-180X	VARIATOR(ZNR)		1	
	VA273	NAF0045-180X	VARIATOR(ZNR)		1	
	VA274	NAF0045-180X	VARIATOR(ZNR)		1	
	VA275	NAF0045-180X	VARIATOR(ZNR)		1	
	VA277	NAF0045-180X	VARIATOR(ZNR)		1	
	VA295	NAF0046-180X	VARIATOR(ZNR)		1	
	VA296	NAF0046-180X	VARIATOR(ZNR)		1	
	VA297	NAF0046-180X	VARIATOR(ZNR)		1	
	VA400	NAF0024-001X	ESD SUPPRESSOR		1	
	VA601	NAF0044-270X	VARIATOR(ZNR)		1	
	VA602	NAF0044-270X	VARIATOR(ZNR)		1	
	VA603	NAF0044-270X	VARIATOR(ZNR)		1	
	VA604	NAF0044-270X	VARIATOR(ZNR)		1	
	VA605	NAF0044-270X	VARIATOR(ZNR)		1	
	VA606	NAF0044-270X	VARIATOR(ZNR)		1	
	VA607	NAF0044-270X	VARIATOR(ZNR)		1	
	VA608	NAF0046-180X	VARIATOR(ZNR)		1	
	VA611	NAF0044-270X	VARIATOR(ZNR)		1	

MODEL	MARK	MODEL	MARK
DDX9702S	K1	DDX9902S	K0

Safe	Symbol No.	Parts No.	Parts Name	Description	QTY	Local
	VA612	NAF0044-270X	VARIATOR(ZNR)		1	
	VA613	NAF0044-270X	VARIATOR(ZNR)		1	
	VA614	NAF0044-270X	VARIATOR(ZNR)		1	
	VA620	NAF0044-270X	VARIATOR(ZNR)		1	
	VA622	NAF0044-270X	VARIATOR(ZNR)		1	
	VA623	NAF0044-270X	VARIATOR(ZNR)		1	
	VA624	NAF0044-270X	VARIATOR(ZNR)		1	
	VA625	NAF0045-180X	VARIATOR(ZNR)		1	
	VA626	NAF0045-180X	VARIATOR(ZNR)		1	
	VA627	NAF0045-180X	VARIATOR(ZNR)		1	
	VA628	NAF0044-270X	VARIATOR(ZNR)		1	
	VA629	NAF0044-270X	VARIATOR(ZNR)		1	
	VA630	NAF0044-270X	VARIATOR(ZNR)		1	
	VA631	NAF0044-270X	VARIATOR(ZNR)		1	
	VA632	NAF0044-270X	VARIATOR(ZNR)		1	
	VA633	NAF0044-270X	VARIATOR(ZNR)		1	
	VA638	NAF0044-270X	VARIATOR(ZNR)		1	
	VA639	NAF0044-270X	VARIATOR(ZNR)		1	
	VA641	NAF0044-270X	VARIATOR(ZNR)		1	
	VA643	NAF0044-270X	VARIATOR(ZNR)		1	
	VA644	NAF0044-270X	VARIATOR(ZNR)		1	
	VA645	NAF0044-270X	VARIATOR(ZNR)		1	
	VA701	NAF0045-180X	VARIATOR(ZNR)		1	
	VA702	NAF0045-180X	VARIATOR(ZNR)		1	
	VA703	NAF0045-180X	VARIATOR(ZNR)		1	
	VA711	NAF0044-270X	VARIATOR(ZNR)		1	
	VA712	NAF0044-270X	VARIATOR(ZNR)		1	
	VA713	NAF0045-180X	VARIATOR(ZNR)		1	
	W400	QAM1427-001	CAR CABLE		1	
	X501	NAX1168-001X	CRYSTAL		1	
	X502	L7J-0059-00	QUARTZ CRYSTAL		1	
	X901	NAX1143-001X	CRYSTAL		1	

SUB CIRCUIT PWB ASSY (XJ6-0190-13) <XJ6>

IC41	BH7673G-W	IC			1	
IC51	NJM2535V-X	IC			1	
IC61	NJM2535V-X	IC			1	
IC62	NJM2561F1	BIPOLAR IC			1	
IC491	TC7SET08FU-J-X	IC(DIGITAL)			1	
Q11	LSCR523EBFS8	TRANSISTOR			1	
Q12	LTA014YEB-X	DIGI TRANSISTOR			1	
Q13	LSCR523EBFS8	TRANSISTOR			1	
Q21	LTC024EEB-X	DIGI TRANSISTOR			1	
Q31	LSCR523EBFS8	TRANSISTOR			1	
D11	DA2J101	DIODE			1	
D21	DA2J101	DIODE			1	
D491	DZ2J056M	ZENER DIODE			1	
D492	DZ2J056M	ZENER DIODE			1	
C11	CK73GBB0J225K	C CAPACITOR	2.2uF 6.3V K		1	
C21	CK73HBB1E103K	C CAPACITOR	0.01uF 25V K		1	
C31	CK730BU0J106M	C CAPACITOR	10uF 6.3V M		1	
C41	CK73GBB1C105K	C CAPACITOR	1uF 16V K		1	
C42	CK73GBB1C105K	C CAPACITOR	1uF 16V K		1	
C43	CK73HBB1A104K	C CAPACITOR	0.1uF 10V K		1	
C44	CK730BU0J106M	C CAPACITOR	10uF 6.3V M		1	
C51	CK73GBB1C105K	C CAPACITOR	1uF 16V K		1	
C52	CK73GBB1C105K	C CAPACITOR	1uF 16V K		1	
C53	CK73GBB1C105K	C CAPACITOR	1uF 16V K		1	
C54	CK73HBB1A104K	C CAPACITOR	0.1uF 10V K		1	
C61	CK73GBB1C105K	C CAPACITOR	1uF 16V K		1	
C62	CK73GBB1C105K	C CAPACITOR	1uF 16V K		1	
C63	CK73GBB1C105K	C CAPACITOR	1uF 16V K		1	
C64	CK73HBB1A104K	C CAPACITOR	0.1uF 10V K		1	
C65	CK73HBB1A104K	C CAPACITOR	0.1uF 10V K		1	
C66	CK73HBB1A104K	C CAPACITOR	0.1uF 10V K		1	
C67	QETL1AM-477	E CAPACITOR	470uF 10V M		1	
C112	CK73HBB1H102K	C CAPACITOR	1000pF 50V K		1	
C113	CK73HBB1H102K	C CAPACITOR	1000pF 50V K		1	
C122	CK73GBB1C105K	C CAPACITOR	1uF 16V K		1	
C123	CK73GBB1C105K	C CAPACITOR	1uF 16V K		1	
C124	CK730BU0J106M	C CAPACITOR	10uF 6.3V M		1	
C212	CK73HBB1H102K	C CAPACITOR	1000pF 50V K		1	
C213	CK73HBB1H102K	C CAPACITOR	1000pF 50V K		1	
C412	CK73HBB1H102K	C CAPACITOR	1000pF 50V K		1	
C413	CK73HBB1H102K	C CAPACITOR	1000pF 50V K		1	
C414	CK73HBB1H102K	C CAPACITOR	1000pF 50V K		1	
C491	CK73GBB1H103K	C CAPACITOR	0.01uF 50V K		1	
C701	CK730BW0J226M	C CAPACITOR	22uF 6.3V M		1	
R11	RK73HB1J223J	MG RESISTOR	22kΩ 1/16W J		1	
R12	RK73HB1J473J	MG RESISTOR	47kΩ 1/16W J		1	
R13	RK73HB1J223J	MG RESISTOR	22kΩ 1/16W J		1	
R14	RK73HB1J471J	MG RESISTOR	470Ω 1/16W J		1	
R15	RK73HB1J473J	MG RESISTOR	47kΩ 1/16W J		1	
R16	RK73HB1J473J	MG RESISTOR	47kΩ 1/16W J		1	
R21	RK73GB2A272J	MG RESISTOR	2.7kΩ 1/10W J		1	
R22	RK73HB1J102J	MG RESISTOR	1kΩ 1/16W J		1	
R31	RK73HH1J750D	MG RESISTOR	75Ω 1/16W D		1	
R32	RK73GB2A100J	MG RESISTOR	10Ω 1/10W J		1	
R33	RK73HB1J303J	MG RESISTOR	30kΩ 1/16W J		1	
R34	RK73HB1J303J	MG RESISTOR	30kΩ 1/16W J		1	
R35	RK73HB1J272J	MG RESISTOR	2.7kΩ 1/16W J		1	
R61	RK73GH2A750D	MG RESISTOR	75Ω 1/10W D		1	
R63	RK73HH1J201D	MG RESISTOR	200Ω 1/16W D		1	
R101	RK73GB2A100J	MG RESISTOR	10Ω 1/10W J		1	

MODEL	MARK	MODEL	MARK
DDX9702S	K1	DDX9902S	K0

Safe	Symbol No.	Parts No.	Parts Name	Description	QTY	Local
	R104	RK73HH1J750D	MG RESISTOR	75Ω 1/16W D	1	
	R112	RK73GB2A100J	MG RESISTOR	10Ω 1/10W J	1	
	R113	RK73GB2A100J	MG RESISTOR	10Ω 1/10W J	1	
	R114	RK73GB2A4R7J	MG RESISTOR	4.7Ω 1/10W J	1	
	R115	RK73HB1J223J	MG RESISTOR	22kΩ 1/16W J	1	
	R116	RK73HB1J223J	MG RESISTOR	22kΩ 1/16W J	1	
	R117	RK73HB1J000J	MG RESISTOR	0Ω 1/16W J	1	
	R118	RK73HB1J000J	MG RESISTOR	0Ω 1/16W J	1	
	R201	RK73GB2A100J	MG RESISTOR	10Ω 1/10W J	1	
	R202	RK73GB2A100J	MG RESISTOR	10Ω 1/10W J	1	
	R203	RK73GB2A620J	MG RESISTOR	62Ω 1/10W J	1	
	R204	RK73HB1J4R7J	MG RESISTOR	4.7Ω 1/16W J	1	
	R212	RK73GB2A100J	MG RESISTOR	10Ω 1/10W J	1	
	R213	RK73GB2A100J	MG RESISTOR	10Ω 1/10W J	1	
	R214	RK73GB2A4R7J	MG RESISTOR	4.7Ω 1/10W J	1	
	R215	RK73HB1J223J	MG RESISTOR	22kΩ 1/16W J	1	
	R216	RK73HB1J223J	MG RESISTOR	22kΩ 1/16W J	1	
	R301	RK73GB2A101J	MG RESISTOR	100Ω 1/10W J	1	
	R302	RK73GB2A101J	MG RESISTOR	100Ω 1/10W J	1	
	R412	RK73GB2A100J	MG RESISTOR	10Ω 1/10W J	1	
	R413	RK73GB2A100J	MG RESISTOR	10Ω 1/10W J	1	
	R414	RK73GB2A4R7J	MG RESISTOR	4.7Ω 1/10W J	1	
	R491	RK73GB2A220J	MG RESISTOR	22Ω 1/10W J	1	
	R492	RK73GB2A220J	MG RESISTOR	22Ω 1/10W J	1	
	R493	RK73HB1J272J	MG RESISTOR	2.7kΩ 1/16W J	1	
	R602	RK73GB2A100J	MG RESISTOR	10Ω 1/10W J	1	
	R611	RK73HB1J000J	MG RESISTOR	0Ω 1/16W J	1	
	R612	RK73HB1J000J	MG RESISTOR	0Ω 1/16W J	1	
	R613	RK73HB1J000J	MG RESISTOR	0Ω 1/16W J	1	
	R901	RK73GB2A000J	MG RESISTOR	0Ω 1/10W J	1	
	R902	RK73HB1J100J	MG RESISTOR	10Ω 1/16W J	1	
	L41	LR7320AD4R7M	CHIP INDUCTOR	4.7uH	1	
	CN1	QGF0534F7-20X	FFC/FPC CONNE	FFC/FPC (1-20)	1	
	CN2	QGF0534F7-20X	FFC/FPC CONNE	FFC/FPC (1-20)	1	
	CN3	QGA2501C1-03	W TO B CONNE	W-B (1-3)	1	
	CN301	QGA2001C1-02	W TO B CONNE	W-B (1-2)	1	
	CN501	QGA2021F1-04	W TO B CONNE	W-B (1-4)	1	
	CN502	QGA2501C1-02	W TO B CONNE	W-B (1-2)	1	
	CN701	QGA2001C1-02	W TO B CONNE	W-B (1-2)	1	
	J31	QNN0011-002	PIN JACK		1	
	J101	QNS0291-001	3.5 JACK		1	
	J201	QNS0291-001	3.5 JACK		1	
	J301	QNS0307-001	3.5 JACK		1	
	J601	QNS0307-001	3.5 JACK		1	
	VA11	NAF0044-270X	VARIATOR(ZNR)		1	
	VA21	NAF0045-180X	VARIATOR(ZNR)		1	
	VA31	NAF0044-270X	VARIATOR(ZNR)		1	
	VA61	NAF0044-270X	VARIATOR(ZNR)		1	
	VA101	NAF0044-270X	VARIATOR(ZNR)		1	
	VA102	NAF0044-270X	VARIATOR(ZNR)		1	
	VA112	NAF0045-180X	VARIATOR(ZNR)		1	
	VA113	NAF0045-180X	VARIATOR(ZNR)		1	
	VA201	NAF0044-270X	VARIATOR(ZNR)		1	
	VA202	NAF0044-270X	VARIATOR(ZNR)		1	
	VA212	NAF0045-180X	VARIATOR(ZNR)		1	
	VA213	NAF0045-180X	VARIATOR(ZNR)		1	
	VA301	NAF0045-180X	VARIATOR(ZNR)		1	
	VA302	NAF0045-180X	VARIATOR(ZNR)		1	
	VA412	NAF0045-180X	VARIATOR(ZNR)		1	
	VA413	NAF0045-180X	VARIATOR(ZNR)		1	
	VA414	NAF0045-180X	VARIATOR(ZNR)		1	
	VA491	NAF0045-180X	VARIATOR(ZNR)		1	
	VA492	NAF0045-180X	VARIATOR(ZNR)		1	
	DIGITAL IO PWB ASSY (XJA-0280-1x) <XJA>					
	IC101	TPS54240-X	ANALOG IC		1	
	IC102	TC7SZ125FUF	MOS IC		1	
	IC103	XC6223H251M-G	ANALOG IC		1	
	IC104	BU18TD3WG-W	IC		1	
	IC105	TPS54240-X	ANALOG IC		1	
	IC106	TC7SZ125FUF	MOS IC		1	
	IC107	R1270S001B-X	IC		1	
	IC108	XC6602B151PG-X	IC		1	
	IC109	XC6602B151PG-X	IC		1	
	IC110	BU12TD3WG-W	IC		1	
	IC111	TC7SH08FU-X	IC(DIGITAL)		1	
	IC401	TC7SG32FU-X	IC		1	
	IC402	TC7SG04FU-X	IC		1	
	IC403	TC7SH17FUF	MOS IC		1	
	IC501	-----	MPU IC	NO SERVICE PART	1	
	IC503	W3F-0087-00	ROM IC		1	
	IC504	TC7SG86FU-X	IC(DIGITAL)		1	
	IC505	TC7SG04FU-X	IC		1	
	IC506	THS8136PHP	MOS IC		1	
	IC507	74AHC1G08GW-X	IC		1	
	IC508	TC7SH17FUF	MOS IC		1	
	IC510	TPS2543RTE	MOS IC		1	
	IC531	-----	IC	NO SERVICE PART	1	
	IC532	-----	IC	NO SERVICE PART	1	
	IC555	-----	MOS IC	NO SERVICE PART	1	
	IC601	BD9876AEFJ-X	IC		1	
	IC602	BD9876AEFJ-X	IC		1	

MODEL	MARK	MODEL	MARK
DDX9702S	K1	DDX9902S	K0

Safe	Symbol No.	Parts No.	Parts Name	Description	QTY	Local
	IC604	XC6213B332N-G	MOS IC		1	
	IC701	IT68013FN/BX	MOS IC		1	
	IC702	MFI337S3959	MCU IC		1	
	IC851	BU21023MUV-X	IC		1	
	IC852	BR24T02FV-W	ROM IC		1	
	IC901	AK7738VQ	MOS IC		1	
	IC902	XC6213B332N-G	MOS IC		1	
	IC903	XC6209B502PG-X	IC		1	
	IC904	TC74HCT4053FT	MOS IC		1	
	IC951	NJG1143UA2-W	IC		1	
	IC952	XC6213B332N-G	MOS IC		1	
	Q101	LTC014YEBFS8	DIGI TRANSISTOR		1	
	Q102	LTC014YEBFS8	DIGI TRANSISTOR		1	
	Q108	LTA044EEB-X	SV-TRANSISTOR		1	
	Q109	LSAR523UBFS8	TRANSISTOR		1	
	Q604	KMB3D0P30SA-X	MOS FET		1	
	Q605	LTC014YEBFS8	DIGI TRANSISTOR		1	
	Q702	2SK3019-X	MOS FET		1	
	Q704	LTA014EUBFS8	DIGI TRANSISTOR		1	
	Q705	LTC014YUBFS8	DIGI TRANSISTOR		1	
	Q706	2SB1697-W	TRANSISTOR		1	
	D101	RB080L-30-X	SB DIODE		1	
	D102	RB080L-30-X	SB DIODE		1	
	D103	RB080L-30-X	SB DIODE		1	
	D104	RB080L-30-X	SB DIODE		1	
	D105	RB080L-30-X	SB DIODE		1	
	D106	RB521S-30	SCHOTTKY DIODE		1	
	D107	RB521S-30	SCHOTTKY DIODE		1	
	D602	RB051L-40	SCHOTTKY DIODE		1	
	D604	RB051L-40	SCHOTTKY DIODE		1	
	D704	DA2J101	DIODE		1	
	D706	DA2J101	DIODE		1	
	D707	DA2J101	DIODE		1	
	C101	CK73EXR1E106K	C CAPACITOR	10uF 25V K	1	
	C102	CK73GBB1H104K	C CAPACITOR	0.1uF 50V K	1	
	C103	CK73HBB1E103K	C CAPACITOR	0.01uF 25V K	1	
	C104	CK73GBB1H104K	C CAPACITOR	0.1uF 50V K	1	
	C105	CK73HBB1H332K	C CAPACITOR	3300pF 50V K	1	
	C106	CK73HBB1E103K	C CAPACITOR	0.01uF 25V K	1	
	C107	CK73GBB1H104K	C CAPACITOR	0.1uF 50V K	1	
	C108	CK73EXR0J476M	C CAPACITOR	47uF 6.3V M	1	
	C109	CK73EXR0J476M	C CAPACITOR	47uF 6.3V M	1	
	C110	CK73HBB1A104K	C CAPACITOR	0.1uF 10V K	1	
	C111	CK73HBB1E103K	C CAPACITOR	0.01uF 25V K	1	
	C112	CK73HBB1H332K	C CAPACITOR	3300pF 50V K	1	
	C113	CK73HXR0J105K	C CAPACITOR	1uF 6.3V K	1	
	C114	CK73GBB1H104K	C CAPACITOR	0.1uF 50V K	1	
	C115	CK73FBB0J106K	C CAPACITOR	10uF 6.3V K	1	
	C116	CK73HXR0J105K	C CAPACITOR	1uF 6.3V K	1	
	C117	CK73GBB1H104K	C CAPACITOR	0.1uF 50V K	1	
	C118	CK73FBB0J106K	C CAPACITOR	10uF 6.3V K	1	
	C119	CK73EXR1E106K	C CAPACITOR	10uF 25V K	1	
	C120	CK73GBB1H104K	C CAPACITOR	0.1uF 50V K	1	
	C121	CK73HBB1E103K	C CAPACITOR	0.01uF 25V K	1	
	C122	CK73GBB1H104K	C CAPACITOR	0.1uF 50V K	1	
	C124	CK73HBB1A104K	C CAPACITOR	0.1uF 10V K	1	
	C125	CK73HBB1E103K	C CAPACITOR	0.01uF 25V K	1	
	C126	CK73HBB1H332K	C CAPACITOR	3300pF 50V K	1	
	C127	CK73HBB1E103K	C CAPACITOR	0.01uF 25V K	1	
	C128	CK73GBB1H104K	C CAPACITOR	0.1uF 50V K	1	
	C129	CK73EXR0J476M	C CAPACITOR	47uF 6.3V M	1	
	C130	CK73EXR0J476M	C CAPACITOR	47uF 6.3V M	1	
	C131	CK73EXR1E106K	C CAPACITOR	10uF 25V K	1	
	C132	CK73GBB1H104K	C CAPACITOR	0.1uF 50V K	1	
	C133	CK73HBB1E103K	C CAPACITOR	0.01uF 25V K	1	
	C134	CK73HBB1E103K	C CAPACITOR	0.01uF 25V K	1	
	C135	CK73FBB1E474K	C CAPACITOR	0.47uF 25V K	1	
	C136	CC73HCH1H221J	C CAPACITOR	220pF 50V J	1	
	C137	CC73HCH1H471J	C CAPACITOR	470pF 50V J	1	
	C138	CC73HCH1H471J	C CAPACITOR	470pF 50V J	1	
	C139	CK73HBB1E103K	C CAPACITOR	0.01uF 25V K	1	
	C140	CK73GBB1H104K	C CAPACITOR	0.1uF 50V K	1	
	C141	CK73EXR1C226M	C CAPACITOR	22uF 16V M	1	
	C142	CK73EXR1C226M	C CAPACITOR	22uF 16V M	1	
	C143	CK73HXR0J105K	C CAPACITOR	1uF 6.3V K	1	
	C144	CK73GBB1H104K	C CAPACITOR	0.1uF 50V K	1	
	C145	CK73HXR0J105K	C CAPACITOR	1uF 6.3V K	1	
	C146	CK73FBB0J106K	C CAPACITOR	10uF 6.3V K	1	
	C147	CK73GBB1H104K	C CAPACITOR	0.1uF 50V K	1	
	C148	CK73HXR0J105K	C CAPACITOR	1uF 6.3V K	1	
	C149	CK73GBB1H104K	C CAPACITOR	0.1uF 50V K	1	
	C150	CK73HXR0J105K	C CAPACITOR	1uF 6.3V K	1	
	C151	CK73FBB0J106K	C CAPACITOR	10uF 6.3V K	1	
	C152	CK73GBB1H104K	C CAPACITOR	0.1uF 50V K	1	
	C153	CK73HXR0J105K	C CAPACITOR	1uF 6.3V K	1	
	C154	CK73GBB1H104K	C CAPACITOR	0.1uF 50V K	1	
	C155	CK73FBB0J106K	C CAPACITOR	10uF 6.3V K	1	
	C156	CK73GBB1H104K	C CAPACITOR	0.1uF 50V K	1	
	C157	CK73HBB1H332K	C CAPACITOR	3300pF 50V K	1	
	C158	CK73GXR0J106M	C CAPACITOR	10uF 6.3V M	1	
	C161	NEZ0067-477X	E CAPACITOR	470uF	1	
	C162	CE32CC1C221M	E CAPACITOR	220uF 16V M	1	
	C401	CK73HBB1A104K	C CAPACITOR	0.1uF 10V K	1	

MODEL	MARK	MODEL	MARK
DDX9702S	K1	DDX9902S	K0

Safe	Symbol No.	Parts No.	Parts Name	Description	QTY	Local
	C402	CK73HBB1A104K	C CAPACITOR	0.1uF 10V K	1	
	C404	CK73HBB1A104K	C CAPACITOR	0.1uF 10V K	1	
	C501	CK73HBB1A104K	C CAPACITOR	0.1uF 10V K	1	
	C502	CK73HBB1A104K	C CAPACITOR	0.1uF 10V K	1	
	C507	CK73HBB1A104K	C CAPACITOR	0.1uF 10V K	1	
	C509	CK73HBB1A104K	C CAPACITOR	0.1uF 10V K	1	
	C510	CK73HBB1A104K	C CAPACITOR	0.1uF 10V K	1	
	C513	CK73HBB1A104K	C CAPACITOR	0.1uF 10V K	1	
	C514	CK73HBB1A104K	C CAPACITOR	0.1uF 10V K	1	
	C515	CK73HBB1A104K	C CAPACITOR	0.1uF 10V K	1	
	C520	CK73HBB1A104K	C CAPACITOR	0.1uF 10V K	1	
	C521	CK73HBB1A104K	C CAPACITOR	0.1uF 10V K	1	
	C522	CK73HBB1A104K	C CAPACITOR	0.1uF 10V K	1	
	C523	CK73HBB1A104K	C CAPACITOR	0.1uF 10V K	1	
	C524	CK73HBB1A104K	C CAPACITOR	0.1uF 10V K	1	
	C525	CK73HBB1A104K	C CAPACITOR	0.1uF 10V K	1	
	C526	CK73HBB1A104K	C CAPACITOR	0.1uF 10V K	1	
	C527	CK73HBB1A104K	C CAPACITOR	0.1uF 10V K	1	
	C528	CK73HBB1A104K	C CAPACITOR	0.1uF 10V K	1	
	C529	CK73HBB1A104K	C CAPACITOR	0.1uF 10V K	1	
	C531	CK73HBB1A104K	C CAPACITOR	0.1uF 10V K	1	
	C532	CK73HBB1A104K	C CAPACITOR	0.1uF 10V K	1	
	C533	CK73HBB1A104K	C CAPACITOR	0.1uF 10V K	1	
	C534	CK73HBB1A104K	C CAPACITOR	0.1uF 10V K	1	
	C535	CK73HBB1A104K	C CAPACITOR	0.1uF 10V K	1	
	C536	CK73HBB1A104K	C CAPACITOR	0.1uF 10V K	1	
	C538	CK73HBB1A104K	C CAPACITOR	0.1uF 10V K	1	
	C539	CK73HBB1A104K	C CAPACITOR	0.1uF 10V K	1	
	C540	CK73HBB1A104K	C CAPACITOR	0.1uF 10V K	1	
	C548	CK73HBB1A104K	C CAPACITOR	0.1uF 10V K	1	
	C549	CK73HBB1A104K	C CAPACITOR	0.1uF 10V K	1	
	C550	CK73HBB1E103K	C CAPACITOR	0.01uF 25V K	1	
	C554	CK73HBB1A104K	C CAPACITOR	0.1uF 10V K	1	
	C555	CK73HBB1A104K	C CAPACITOR	0.1uF 10V K	1	
	C558	CK73HBB1A104K	C CAPACITOR	0.1uF 10V K	1	
	C561	CK73HBB1A104K	C CAPACITOR	0.1uF 10V K	1	
	C563	CK73HBB1A104K	C CAPACITOR	0.1uF 10V K	1	
	C565	CK73HBB1A104K	C CAPACITOR	0.1uF 10V K	1	
	C566	CK73HBB1A104K	C CAPACITOR	0.1uF 10V K	1	
	C567	CK73HBB1A104K	C CAPACITOR	0.1uF 10V K	1	
	C568	CK73HBB1A104K	C CAPACITOR	0.1uF 10V K	1	
	C569	CK73HBB1A104K	C CAPACITOR	0.1uF 10V K	1	
	C570	CK73HBB1A104K	C CAPACITOR	0.1uF 10V K	1	
	C571	CK73HBB1A104K	C CAPACITOR	0.1uF 10V K	1	
	C572	CK73HBB1A104K	C CAPACITOR	0.1uF 10V K	1	
	C573	CK73HBB1A104K	C CAPACITOR	0.1uF 10V K	1	
	C575	CK73HBB1A104K	C CAPACITOR	0.1uF 10V K	1	
	C576	CK73HBB1A104K	C CAPACITOR	0.1uF 10V K	1	
	C578	CK73HBB1A104K	C CAPACITOR	0.1uF 10V K	1	
	C579	CK73HBB1A104K	C CAPACITOR	0.1uF 10V K	1	
	C582	CK73HBB1A104K	C CAPACITOR	0.1uF 10V K	1	
	C583	CK73HBB1A104K	C CAPACITOR	0.1uF 10V K	1	
	C584	CK73HBB1A104K	C CAPACITOR	0.1uF 10V K	1	
	C601	CE32CB0J331M	E CAPACITOR	330uF 6.3V M	1	
	C603	CK73FBB0J106K	C CAPACITOR	10uF 6.3V K	1	
	C604	CK73HBB1H102K	C CAPACITOR	1000pF 50V K	1	
	C606	CK73HBB1H682K	C CAPACITOR	6800pF 50V K	1	
	C607	CK73HBB1C104K	C CAPACITOR	0.1uF 16V K	1	
	C608	CK73EXR1E106K	C CAPACITOR	10uF 25V K	1	
	C611	CE32CB0J331M	E CAPACITOR	330uF 6.3V M	1	
	C613	CK73FBB0J106K	C CAPACITOR	10uF 6.3V K	1	
	C614	CK73HBB1H102K	C CAPACITOR	1000pF 50V K	1	
	C616	CK73HBB1H682K	C CAPACITOR	6800pF 50V K	1	
	C617	CK73HBB1C104K	C CAPACITOR	0.1uF 16V K	1	
	C618	CK73EXR1E106K	C CAPACITOR	10uF 25V K	1	
	C631	CK73FBB0J106K	C CAPACITOR	10uF 6.3V K	1	
	C632	CK73HBB1A104K	C CAPACITOR	0.1uF 10V K	1	
	C633	CK73FBB0J106K	C CAPACITOR	10uF 6.3V K	1	
	C634	CK73HBB1A104K	C CAPACITOR	0.1uF 10V K	1	
	C635	CK73HBB1A104K	C CAPACITOR	0.1uF 10V K	1	
	C636	CK73HBB1A104K	C CAPACITOR	0.1uF 10V K	1	
	C637	CK73HBB1A104K	C CAPACITOR	0.1uF 10V K	1	
	C638	CK73HBB1A104K	C CAPACITOR	0.1uF 10V K	1	
	C639	CK73HBB1A104K	C CAPACITOR	0.1uF 10V K	1	
	C641	CK73HXR0J105K	C CAPACITOR	1uF 6.3V K	1	
	C642	CK73HXR0J105K	C CAPACITOR	1uF 6.3V K	1	
	C653	CK73HBB1C473K	C CAPACITOR	0.047uF 16V K	1	
	C700	CK73HBB1A104K	C CAPACITOR	0.1uF 10V K	1	
	C701	CC73HCH1H470J	C CAPACITOR	47pF 50V J	1	
	C702	CK73HBB1A104K	C CAPACITOR	0.1uF 10V K	1	
	C703	CC73HCH1H470J	C CAPACITOR	47pF 50V J	1	
	C704	CK73HBB1A104K	C CAPACITOR	0.1uF 10V K	1	
	C705	CK73HBB1A104K	C CAPACITOR	0.1uF 10V K	1	
	C706	CK73HBB1H102K	C CAPACITOR	1000pF 50V K	1	
	C707	CK73HBB1A104K	C CAPACITOR	0.1uF 10V K	1	
	C708	CK73HBB1A104K	C CAPACITOR	0.1uF 10V K	1	
	C709	CK73HBB1A104K	C CAPACITOR	0.1uF 10V K	1	
	C710	CK73HBB1A104K	C CAPACITOR	0.1uF 10V K	1	
	C711	CK73HBB1A104K	C CAPACITOR	0.1uF 10V K	1	
	C712	CK73HBB1A104K	C CAPACITOR	0.1uF 10V K	1	
	C713	CK73HBB1A104K	C CAPACITOR	0.1uF 10V K	1	
	C714	CK73HBB1A104K	C CAPACITOR	0.1uF 10V K	1	

MODEL	MARK	MODEL	MARK
DDX9702S	K1	DDX9902S	K0

Safe	Symbol No.	Parts No.	Parts Name	Description	QTY	Local
	C715	CK73HBB1A104K	C CAPACITOR	0.1uF 10V K	1	
	C716	CK73HBB1A104K	C CAPACITOR	0.1uF 10V K	1	
	C717	CK73HBB1A104K	C CAPACITOR	0.1uF 10V K	1	
	C718	CC73HCH1H080D	C CAPACITOR	8pF 50V D	1	
	C719	CC73HCH1H080D	C CAPACITOR	8pF 50V D	1	
	C720	CK73HBB1A104K	C CAPACITOR	0.1uF 10V K	1	
	C721	CK73HBB1A104K	C CAPACITOR	0.1uF 10V K	1	
	C722	CK73HBB1A104K	C CAPACITOR	0.1uF 10V K	1	
	C723	CK73HBB1H102K	C CAPACITOR	1000pF 50V K	1	
	C742	CK73HBB1A104K	C CAPACITOR	0.1uF 10V K	1	
	C743	CK73HBB1C473K	C CAPACITOR	0.047uF 16V K	1	
	C757	CK73HBB1A104K	C CAPACITOR	0.1uF 10V K	1	
	C780	CK73HBB1A104K	C CAPACITOR	0.1uF 10V K	1	
	C782	CK73HBB1H102K	C CAPACITOR	1000pF 50V K	1	
	C831	CK73GXR0J106M	C CAPACITOR	10uF 6.3V M	1	
	C852	CK73HBB1E103K	C CAPACITOR	0.01uF 25V K	1	
	C853	CK73HBB1A104K	C CAPACITOR	0.1uF 10V K	1	
	C854	CK73HXR0J105K	C CAPACITOR	1uF 6.3V K	1	
	C855	CK73HXR0J105K	C CAPACITOR	1uF 6.3V K	1	
	C856	CK73HBB1A104K	C CAPACITOR	0.1uF 10V K	1	
	C857	CK73HBB1A104K	C CAPACITOR	0.1uF 10V K	1	
	C901	CK73GBB1A105K	C CAPACITOR	1uF 10V K	1	
	C902	CK73HXR0J105K	C CAPACITOR	1uF 6.3V K	1	
	C903	CK73FBB0J106K	C CAPACITOR	10uF 6.3V K	1	
	C904	CK73HXR0J105K	C CAPACITOR	1uF 6.3V K	1	
	C905	CK73FBB0J106K	C CAPACITOR	10uF 6.3V K	1	
	C906	CK73HBB1A104K	C CAPACITOR	0.1uF 10V K	1	
	C907	CK73GBB0J225K	C CAPACITOR	2.2uF 6.3V K	1	
	C908	CK73FBB0J106K	C CAPACITOR	10uF 6.3V K	1	
	C909	CK73HBB1A104K	C CAPACITOR	0.1uF 10V K	1	
	C910	CK73GXR0J106M	C CAPACITOR	10uF 6.3V M	1	
	C911	CK73HBB1A104K	C CAPACITOR	0.1uF 10V K	1	
	C912	CK73GXR0J106M	C CAPACITOR	10uF 6.3V M	1	
	C913	CK73HBB1A104K	C CAPACITOR	0.1uF 10V K	1	
	C914	CC73HCH1H120J	C CAPACITOR	12pF 50V J	1	
	C915	CC73HCH1H120J	C CAPACITOR	12pF 50V J	1	
	C916	CK73GXR0J106M	C CAPACITOR	10uF 6.3V M	1	
	C917	CK73HBB1A104K	C CAPACITOR	0.1uF 10V K	1	
	C918	CK73GXR0J106M	C CAPACITOR	10uF 6.3V M	1	
	C919	CK73HBB1A104K	C CAPACITOR	0.1uF 10V K	1	
	C920	CK73GBB0J225K	C CAPACITOR	2.2uF 6.3V K	1	
	C921	CK73HBB1A104K	C CAPACITOR	0.1uF 10V K	1	
	C922	CK73HBB1A104K	C CAPACITOR	0.1uF 10V K	1	
	C927	CK73HBB1C223K	C CAPACITOR	0.022uF 16V K	1	
	C928	CK73HBB1C223K	C CAPACITOR	0.022uF 16V K	1	
	C931	CK73HBB1H222K	C CAPACITOR	2200pF 50V K	1	
	C932	CK73HBB1H222K	C CAPACITOR	2200pF 50V K	1	
	C933	CK73HBB1H222K	C CAPACITOR	2200pF 50V K	1	
	C934	CK73HBB1H222K	C CAPACITOR	2200pF 50V K	1	
	C935	CK73HBB1H222K	C CAPACITOR	2200pF 50V K	1	
	C936	CK73HBB1H222K	C CAPACITOR	2200pF 50V K	1	
	C937	CK73HBB1H222K	C CAPACITOR	2200pF 50V K	1	
	C938	CK73HBB1H222K	C CAPACITOR	2200pF 50V K	1	
	C939	CK73GBB1C105K	C CAPACITOR	1uF 16V K	1	
	C940	CK73GBB1C105K	C CAPACITOR	1uF 16V K	1	
	C941	CK73GBB1C105K	C CAPACITOR	1uF 16V K	1	
	C942	CK73GBB1A105K	C CAPACITOR	1uF 10V K	1	
	C943	CK73HBB1A104K	C CAPACITOR	0.1uF 10V K	1	
	C953	CC73HCH1H470J	C CAPACITOR	47pF 50V J	1	
	C954	NDCA1HG-2R7W	C CAPACITOR	2.7pF 50V G	1	
	C955	CK73HXR0J105K	C CAPACITOR	1uF 6.3V K	1	
	C956	CK73GBB1A105K	C CAPACITOR	1uF 10V K	1	
	C957	CK73HXR0J105K	C CAPACITOR	1uF 6.3V K	1	
	C958	CK73HBB1E103K	C CAPACITOR	0.01uF 25V K	1	
	C959	CC73HCH1H102J	C CAPACITOR	1000pF 50V J	1	
	C960	CC73HCH1H100D	C CAPACITOR	10pF 50V D	1	
	C961	CK73GBB0J225K	C CAPACITOR	2.2uF 6.3V K	1	
	C962	CK73HXR0J105K	C CAPACITOR	1uF 6.3V K	1	
	C963	CK73HXR0J105K	C CAPACITOR	1uF 6.3V K	1	
	C964	CK73HXR0J105K	C CAPACITOR	1uF 6.3V K	1	
	C965	CK73HBB1H102K	C CAPACITOR	1000pF 50V K	1	
	C966	CC73HCH1H060D	C CAPACITOR	6pF 50V D	1	
	C967	CC73HCH1H060D	C CAPACITOR	6pF 50V D	1	
	C969	CC73HCH1H020C	C CAPACITOR	2pF 50V C	1	
	C970	CK73HXR0J105K	C CAPACITOR	1uF 6.3V K	1	
	C982	CK73FBB0J106K	C CAPACITOR	10uF 6.3V K	1	
	C983	CK73FBB0J106K	C CAPACITOR	10uF 6.3V K	1	
	C5001	NCJ41CK-476X-A	C CAPACITOR	47uF 16V K	1	
	C5002	NCJ41CK-476X-A	C CAPACITOR	47uF 16V K	1	
	C5003	NCJ41CK-476X-A	C CAPACITOR	47uF 16V K	1	
	C5014	CK73HBB1A104K	C CAPACITOR	0.1uF 10V K	1	
	C5016	CK73HBB1A104K	C CAPACITOR	0.1uF 10V K	1	
	C5019	CK73HBB1A104K	C CAPACITOR	0.1uF 10V K	1	
	C5023	CK73HBB1A104K	C CAPACITOR	0.1uF 10V K	1	
	C5048	CK73HBB1A104K	C CAPACITOR	0.1uF 10V K	1	
	C5049	CK73HBB1A104K	C CAPACITOR	0.1uF 10V K	1	
	C5056	CK73HBB1A104K	C CAPACITOR	0.1uF 10V K	1	
	C5070	CK73HBB1A104K	C CAPACITOR	0.1uF 10V K	1	
	C5073	CK73HBB1A104K	C CAPACITOR	0.1uF 10V K	1	
	C5074	CK73HBB1A104K	C CAPACITOR	0.1uF 10V K	1	
	C5077	CK73HBB1A104K	C CAPACITOR	0.1uF 10V K	1	
	C5078	CK73HBB1A104K	C CAPACITOR	0.1uF 10V K	1	

MODEL	MARK	MODEL	MARK
DDX9702S	K1	DDX9902S	K0

Safe	Symbol No.	Parts No.	Parts Name	Description	QTY	Local
	C5079	CC73HCH1H100D	C CAPACITOR	10pF 50V D	1	
	C5080	CC73HCH1H100D	C CAPACITOR	10pF 50V D	1	
	C5081	CC73HCH1H120J	C CAPACITOR	12pF 50V J	1	
	C5082	CC73HCH1H100D	C CAPACITOR	10pF 50V D	1	
	C5083	CK73HBB1A104K	C CAPACITOR	0.1uF 10V K	1	
	C5084	CK73HBB1A104K	C CAPACITOR	0.1uF 10V K	1	
	C5085	CK73HBB1A104K	C CAPACITOR	0.1uF 10V K	1	
	C5086	CK73HBB1A104K	C CAPACITOR	0.1uF 10V K	1	
	C5087	CC73HCH1H101J	C CAPACITOR	100pF 50V J	1	
	C5088	CC73HCH1H101J	C CAPACITOR	100pF 50V J	1	
	C5089	CK73FBB0J106K	C CAPACITOR	10uF 6.3V K	1	
	C5090	CK73FBB0J106K	C CAPACITOR	10uF 6.3V K	1	
	C5091	CK73GBB1H104K	C CAPACITOR	0.1uF 50V K	1	
	C5201	NCJ41CK-476X-A	C CAPACITOR	47uF 16V K	1	
	C5202	CK73HBB1A104K	C CAPACITOR	0.1uF 10V K	1	
	C5203	CK73HBB1A104K	C CAPACITOR	0.1uF 10V K	1	
	C5204	CK73HBB1A104K	C CAPACITOR	0.1uF 10V K	1	
	C5301	NCJ41CK-476X-A	C CAPACITOR	47uF 16V K	1	
	C5302	CC73HCH1H181J	C CAPACITOR	180pF 50V J	1	
	C5303	CK73HBB1A104K	C CAPACITOR	0.1uF 10V K	1	
	C5304	CC73HCH1H181J	C CAPACITOR	180pF 50V J	1	
	C5305	CK73HBB1A104K	C CAPACITOR	0.1uF 10V K	1	
	C5306	CC73HCH1H181J	C CAPACITOR	180pF 50V J	1	
	C5307	CK73HBB1A104K	C CAPACITOR	0.1uF 10V K	1	
	C5308	CC73HCH1H181J	C CAPACITOR	180pF 50V J	1	
	C5309	CK73HBB1A104K	C CAPACITOR	0.1uF 10V K	1	
	C5311	CK73HBB1A104K	C CAPACITOR	0.1uF 10V K	1	
	C5312	CC73HCH1H181J	C CAPACITOR	180pF 50V J	1	
	C5313	CK73HBB1A104K	C CAPACITOR	0.1uF 10V K	1	
	C5314	CC73HCH1H181J	C CAPACITOR	180pF 50V J	1	
	C5315	CK73HBB1A104K	C CAPACITOR	0.1uF 10V K	1	
	C5316	CC73HCH1H181J	C CAPACITOR	180pF 50V J	1	
	C5317	CC73HCH1H181J	C CAPACITOR	180pF 50V J	1	
	C5318	CK73HBB1A104K	C CAPACITOR	0.1uF 10V K	1	
	C5319	CK73HBB1A104K	C CAPACITOR	0.1uF 10V K	1	
	C5320	CC73HCH1H181J	C CAPACITOR	180pF 50V J	1	
	C5321	CC73HCH1H181J	C CAPACITOR	180pF 50V J	1	
	C5322	CK73HBB1A104K	C CAPACITOR	0.1uF 10V K	1	
	C5323	CK73HBB1A104K	C CAPACITOR	0.1uF 10V K	1	
	C5324	CK73HBB1A104K	C CAPACITOR	0.1uF 10V K	1	
	C5325	CK73HBB1A104K	C CAPACITOR	0.1uF 10V K	1	
	C5326	CK73HBB1A104K	C CAPACITOR	0.1uF 10V K	1	
	C5327	CK73HBB1A104K	C CAPACITOR	0.1uF 10V K	1	
	C5328	CK73HBB1A104K	C CAPACITOR	0.1uF 10V K	1	
	C5329	CK73HBB1A104K	C CAPACITOR	0.1uF 10V K	1	
	C5330	CC73HCH1H181J	C CAPACITOR	180pF 50V J	1	
	C5331	CK73HBB1A104K	C CAPACITOR	0.1uF 10V K	1	
	C5332	CC73HCH1H181J	C CAPACITOR	180pF 50V J	1	
	C5333	CK73HBB1A104K	C CAPACITOR	0.1uF 10V K	1	
	C5334	CC73HCH1H181J	C CAPACITOR	180pF 50V J	1	
	C5335	CK73HBB1A104K	C CAPACITOR	0.1uF 10V K	1	
	C5336	CC73HCH1H181J	C CAPACITOR	180pF 50V J	1	
	C5337	CK73HBB1A104K	C CAPACITOR	0.1uF 10V K	1	
	C5338	CC73HCH1H181J	C CAPACITOR	180pF 50V J	1	
	C5339	CK73HBB1A104K	C CAPACITOR	0.1uF 10V K	1	
	C5340	CC73HCH1H181J	C CAPACITOR	180pF 50V J	1	
	C5341	CK73HBB1A104K	C CAPACITOR	0.1uF 10V K	1	
	C5342	CC73HCH1H181J	C CAPACITOR	180pF 50V J	1	
	C5343	CK73HBB1A104K	C CAPACITOR	0.1uF 10V K	1	
	C5344	CC73HCH1H181J	C CAPACITOR	180pF 50V J	1	
	C5345	CK73HBB1A104K	C CAPACITOR	0.1uF 10V K	1	
	C5346	CC73HCH1H181J	C CAPACITOR	180pF 50V J	1	
	C5347	CK73HBB1A104K	C CAPACITOR	0.1uF 10V K	1	
	C5348	CC73HCH1H181J	C CAPACITOR	180pF 50V J	1	
	C5349	CC73HCH1H181J	C CAPACITOR	180pF 50V J	1	
	C5350	CC73HCH1H181J	C CAPACITOR	180pF 50V J	1	
	C5351	CC73HCH1H181J	C CAPACITOR	180pF 50V J	1	
	C5352	CK73HBB1A104K	C CAPACITOR	0.1uF 10V K	1	
	C5353	CC73HCH1H181J	C CAPACITOR	180pF 50V J	1	
	C5354	CK73HBB1A104K	C CAPACITOR	0.1uF 10V K	1	
	C5355	CC73HCH1H181J	C CAPACITOR	180pF 50V J	1	
	C5356	CK73HBB1A104K	C CAPACITOR	0.1uF 10V K	1	
	C5357	CC73HCH1H181J	C CAPACITOR	180pF 50V J	1	
	C5358	CK73HBB1A104K	C CAPACITOR	0.1uF 10V K	1	
	C5359	CK73HBB1A104K	C CAPACITOR	0.1uF 10V K	1	
	C5360	CK73HBB1A104K	C CAPACITOR	0.1uF 10V K	1	
	C5361	CK73HBB1A104K	C CAPACITOR	0.1uF 10V K	1	
	C5362	CK73HBB1A104K	C CAPACITOR	0.1uF 10V K	1	
	C5363	CK73HBB1A104K	C CAPACITOR	0.1uF 10V K	1	
	C5364	CK73HBB1A104K	C CAPACITOR	0.1uF 10V K	1	
	C5365	CC73HCH1H181J	C CAPACITOR	180pF 50V J	1	
	C5366	CK73HBB1A104K	C CAPACITOR	0.1uF 10V K	1	
	C5367	CC73HCH1H181J	C CAPACITOR	180pF 50V J	1	
	C5368	CK73HBB1A104K	C CAPACITOR	0.1uF 10V K	1	
	C5369	CC73HCH1H181J	C CAPACITOR	180pF 50V J	1	
	C5370	CC73HCH1H181J	C CAPACITOR	180pF 50V J	1	
	C5372	CK73HBB1A104K	C CAPACITOR	0.1uF 10V K	1	
	C5373	CC73HCH1H181J	C CAPACITOR	180pF 50V J	1	
	C5374	CK73HBB1A104K	C CAPACITOR	0.1uF 10V K	1	
	C5375	CC73HCH1H181J	C CAPACITOR	180pF 50V J	1	
	C5376	CK73HBB1A104K	C CAPACITOR	0.1uF 10V K	1	
	C5377	CC73HCH1H181J	C CAPACITOR	180pF 50V J	1	
	C5378	CK73HBB1A104K	C CAPACITOR	0.1uF 10V K	1	

MODEL	MARK	MODEL	MARK
DDX9702S	K1	DDX9902S	K0

Safe	Symbol No.	Parts No.	Parts Name	Description	QTY	Local
	C5379	CC73HCH1H181J	C CAPACITOR	180pF 50V J	1	
	C5380	CK73HBB1A104K	C CAPACITOR	0.1uF 10V K	1	
	C5381	CC73HCH1H181J	C CAPACITOR	180pF 50V J	1	
	C5382	CC73HCH1H181J	C CAPACITOR	180pF 50V J	1	
	C5383	CK73HBB1A104K	C CAPACITOR	0.1uF 10V K	1	
	C5551	CK73HBB1C104K	C CAPACITOR	0.1uF 16V K	1	
	C5552	CK73HBB1C104K	C CAPACITOR	0.1uF 16V K	1	
	C5553	CK73HBB1C104K	C CAPACITOR	0.1uF 16V K	1	
	C5554	CK73HBB1C104K	C CAPACITOR	0.1uF 16V K	1	
	C5556	CK73HBB1C104K	C CAPACITOR	0.1uF 16V K	1	
	C5557	CK73HBB1C104K	C CAPACITOR	0.1uF 16V K	1	
	C5558	CK73HBB1C104K	C CAPACITOR	0.1uF 16V K	1	
	C5559	CK73HBB1C104K	C CAPACITOR	0.1uF 16V K	1	
	C5560	CK73HBB1C104K	C CAPACITOR	0.1uF 16V K	1	
	C5561	CK73HBB1C104K	C CAPACITOR	0.1uF 16V K	1	
	C5562	CK73HBB1C104K	C CAPACITOR	0.1uF 16V K	1	
	C5563	CK73GXR0J106M	C CAPACITOR	10uF 6.3V M	1	
	C5565	CK73GXR0J106M	C CAPACITOR	10uF 6.3V M	1	
	C5566	CK73GXR0J106M	C CAPACITOR	10uF 6.3V M	1	
	C5567	CK73GXR0J106M	C CAPACITOR	10uF 6.3V M	1	
	C5568	CK73GXR0J106M	C CAPACITOR	10uF 6.3V M	1	
	C5569	CK73GXR0J106M	C CAPACITOR	10uF 6.3V M	1	
	C5570	CK73GXR0J106M	C CAPACITOR	10uF 6.3V M	1	
	C5571	CK73GXR0J106M	C CAPACITOR	10uF 6.3V M	1	
	C5572	CK73HBB1C103K	C CAPACITOR	0.01uF 16V K	1	
	C5573	CK73HBB1C103K	C CAPACITOR	0.01uF 16V K	1	
	C5574	CK73HBB1C103K	C CAPACITOR	0.01uF 16V K	1	
	C5575	CK73HBB1C103K	C CAPACITOR	0.01uF 16V K	1	
	C5576	CK73HBB1H102K	C CAPACITOR	1000pF 50V K	1	
	C5577	CK73HBB1H102K	C CAPACITOR	1000pF 50V K	1	
	C5578	CK73HBB1H102K	C CAPACITOR	1000pF 50V K	1	
	C5579	CK73GBB1C105K	C CAPACITOR	1uF 16V K	1	
	C5580	CK73GBB1C105K	C CAPACITOR	1uF 16V K	1	
	C5581	CK73GBB1C105K	C CAPACITOR	1uF 16V K	1	
	C5582	CK73GBB1C105K	C CAPACITOR	1uF 16V K	1	
	C5583	CK73GBB1C105K	C CAPACITOR	1uF 16V K	1	
	C5584	CC73HCH1H100D	C CAPACITOR	10pF 50V D	1	
	C5585	CC73HCH1H120J	C CAPACITOR	12pF 50V J	1	
	C5587	CK73GBB1C105K	C CAPACITOR	1uF 16V K	1	
	C5588	CK73GBB1C105K	C CAPACITOR	1uF 16V K	1	
	C5589	CK73HBB1C104K	C CAPACITOR	0.1uF 16V K	1	
	C5590	CK73GBB1C105K	C CAPACITOR	1uF 16V K	1	
	C5591	CK73GXR0J106M	C CAPACITOR	10uF 6.3V M	1	
	C5592	CK73GXR0J106M	C CAPACITOR	10uF 6.3V M	1	
	C5593	CK73GXR0J106M	C CAPACITOR	10uF 6.3V M	1	
	C5594	CK73GXR0J106M	C CAPACITOR	10uF 6.3V M	1	
	C5595	CK73HBB1C104K	C CAPACITOR	0.1uF 16V K	1	
	R101	RK73HB1J101J	MG RESISTOR	100Ω 1/16W J	1	
	R102	RK73HB1J223J	MG RESISTOR	22kΩ 1/16W J	1	
	R105	RK73HB1J101J	MG RESISTOR	100Ω 1/16W J	1	
	R107	RK73HB1J274J	MG RESISTOR	270kΩ 1/16W J	1	
	R108	RK73HB1J113J	MG RESISTOR	11kΩ 1/16W J	1	
	R109	RK73HB1J163J	MG RESISTOR	16kΩ 1/16W J	1	
	R110	RK73PB2H160J	MG RESISTOR	16Ω 1/2W J	1	
	R111	RK73HH1J103D	MG RESISTOR	10kΩ 1/16W D	1	
	R112	RK73HH1J561D	MG RESISTOR	560Ω 1/16W D	1	
	R113	RK73HH1J333D	MG RESISTOR	33kΩ 1/16W D	1	
	R114	RK73HB1J000J	MG RESISTOR	0Ω 1/16W J	1	
	R117	RK73FB2B000J	MG RESISTOR	0Ω 1/8W J	1	
	R118	RK73FB2B000J	MG RESISTOR	0Ω 1/8W J	1	
	R120	RK73HB1J000J	MG RESISTOR	0Ω 1/16W J	1	
	R121	RK73HB1J000J	MG RESISTOR	0Ω 1/16W J	1	
	R122	RK73HB1J101J	MG RESISTOR	100Ω 1/16W J	1	
	R123	RK73HB1J101J	MG RESISTOR	100Ω 1/16W J	1	
	R124	RK73HB1J223J	MG RESISTOR	22kΩ 1/16W J	1	
	R127	RK73HB1J101J	MG RESISTOR	100Ω 1/16W J	1	
	R129	RK73HB1J274J	MG RESISTOR	270kΩ 1/16W J	1	
	R130	RK73HB1J113J	MG RESISTOR	11kΩ 1/16W J	1	
	R131	RK73HB1J163J	MG RESISTOR	16kΩ 1/16W J	1	
	R132	RK73PB2H160J	MG RESISTOR	16Ω 1/2W J	1	
	R133	RK73HH1J273D	MG RESISTOR	27kΩ 1/16W D	1	
	R134	RK73HH1J472D	MG RESISTOR	4.7kΩ 1/16W D	1	
	R135	RK73HH1J113D	MG RESISTOR	11kΩ 1/16W D	1	
	R136	RK73HH1J113D	MG RESISTOR	11kΩ 1/16W D	1	
	R138	RK73HB1J434J	MG RESISTOR	430kΩ 1/16W J	1	
	R139	RK73HB1J103J	MG RESISTOR	10kΩ 1/16W J	1	
	R140	RK73GB2A101J	MG RESISTOR	100Ω 1/10W J	1	
	R141	RK73HB1J224J	MG RESISTOR	220kΩ 1/16W J	1	
	R142	RK73HB1J470J	MG RESISTOR	47Ω 1/16W J	1	
	R143	RK73HB1J224J	MG RESISTOR	220kΩ 1/16W J	1	
	R144	RK73HB1J000J	MG RESISTOR	0Ω 1/16W J	1	
	R145	RK73HH1J154D	MG RESISTOR	150kΩ 1/16W D	1	
	R146	RK73HB1J000J	MG RESISTOR	0Ω 1/16W J	1	
	R147	RK73HH1J124D	MG RESISTOR	120kΩ 1/16W D	1	
	R153	RK73HB1J000J	MG RESISTOR	0Ω 1/16W J	1	
	R154	RK73HB1J000J	MG RESISTOR	0Ω 1/16W J	1	
	R158	RK73HB1J000J	MG RESISTOR	0Ω 1/16W J	1	
	R401	RK73HB1J220J	MG RESISTOR	22Ω 1/16W J	1	
	R402	RK73HB1J000J	MG RESISTOR	0Ω 1/16W J	1	
	R403	RK73HB1J272J	MG RESISTOR	2.7kΩ 1/16W J	1	
	R404	RK73HB1J000J	MG RESISTOR	0Ω 1/16W J	1	
	R406	RK73HB1J473J	MG RESISTOR	47kΩ 1/16W J	1	

MODEL	MARK	MODEL	MARK
DDX9702S	K1	DDX9902S	K0

Safe	Symbol No.	Parts No.	Parts Name	Description	QTY	Local
	R407	RK73HB1J473J	MG RESISTOR	47kΩ 1/16W J	1	
	R409	RK73HB1J272J	MG RESISTOR	2.7kΩ 1/16W J	1	
	R410	RK73HB1J220J	MG RESISTOR	22Ω 1/16W J	1	
	R501	RK73HB1J330J	MG RESISTOR	33Ω 1/16W J	1	
	R502	RK73HB1J330J	MG RESISTOR	33Ω 1/16W J	1	
	R505	RK73HB1J330J	MG RESISTOR	33Ω 1/16W J	1	
	R506	RK73HB1J330J	MG RESISTOR	33Ω 1/16W J	1	
	R507	RK73HB1J330J	MG RESISTOR	33Ω 1/16W J	1	
	R508	RK73HB1J330J	MG RESISTOR	33Ω 1/16W J	1	
	R509	RK73HB1J330J	MG RESISTOR	33Ω 1/16W J	1	
	R531	RK73HH1J362D	MG RESISTOR	3.6kΩ 1/16W D	1	
	R532	RK73HH1J201D	MG RESISTOR	200Ω 1/16W D	1	
	R533	RK73HH1J750D	MG RESISTOR	75Ω 1/16W D	1	
	R534	RK73HH1J750D	MG RESISTOR	75Ω 1/16W D	1	
	R535	RK73HH1J750D	MG RESISTOR	75Ω 1/16W D	1	
	R536	RK73HB1J223J	MG RESISTOR	22kΩ 1/16W J	1	
	R537	RK73HB1J223J	MG RESISTOR	22kΩ 1/16W J	1	
	R539	RK73HB1J100J	MG RESISTOR	10Ω 1/16W J	1	
	R541	RK73HB1J223J	MG RESISTOR	22kΩ 1/16W J	1	
	R542	RK73HB1J223J	MG RESISTOR	22kΩ 1/16W J	1	
	R543	RK73HB1J220J	MG RESISTOR	22Ω 1/16W J	1	
	R544	RK73HB1J220J	MG RESISTOR	22Ω 1/16W J	1	
	R545	RK73HB1J220J	MG RESISTOR	22Ω 1/16W J	1	
	R546	RK73HB1J220J	MG RESISTOR	22Ω 1/16W J	1	
	R550	RK73HB1J272J	MG RESISTOR	2.7kΩ 1/16W J	1	
	R551	RK73HB1J272J	MG RESISTOR	2.7kΩ 1/16W J	1	
	R603	RK73HB1J000J	MG RESISTOR	0Ω 1/16W J	1	
	R604	RK73HH1J243D	MG RESISTOR	24kΩ 1/16W D	1	
	R605	RK73HH1J104D	MG RESISTOR	100kΩ 1/16W D	1	
	R606	RK73EB2E100J	MG RESISTOR	10Ω 1/4W J	1	
	R608	RK73HB1J103J	MG RESISTOR	10kΩ 1/16W J	1	
	R609	RK73HB1J102J	MG RESISTOR	1kΩ 1/16W J	1	
	R610	RK73HB1J153J	MG RESISTOR	15kΩ 1/16W J	1	
	R611	RK73HB1J102J	MG RESISTOR	1kΩ 1/16W J	1	
	R612	RK73HB1J272J	MG RESISTOR	2.7kΩ 1/16W J	1	
	R614	RK73HB1J101J	MG RESISTOR	100Ω 1/16W J	1	
	R615	RK73HB1J332J	MG RESISTOR	3.3kΩ 1/16W J	1	
	R616	RK73HB1J473J	MG RESISTOR	47kΩ 1/16W J	1	
	R617	RK73HB1J000J	MG RESISTOR	0Ω 1/16W J	1	
	R618	RK73HH1J273D	MG RESISTOR	27kΩ 1/16W D	1	
	R619	RK73HH1J114D	MG RESISTOR	110kΩ 1/16W D	1	
	R620	RK73EB2E100J	MG RESISTOR	10Ω 1/4W J	1	
	R621	RK73HB1J103J	MG RESISTOR	10kΩ 1/16W J	1	
	R622	RK73HB1J102J	MG RESISTOR	1kΩ 1/16W J	1	
	R623	RK73HB1J153J	MG RESISTOR	15kΩ 1/16W J	1	
	R624	RK73HB1J102J	MG RESISTOR	1kΩ 1/16W J	1	
	R625	RK73HB1J272J	MG RESISTOR	2.7kΩ 1/16W J	1	
	R628	RK73HB1J473J	MG RESISTOR	47kΩ 1/16W J	1	
	R629	RK73GB2A102J	MG RESISTOR	1kΩ 1/10W J	1	
	R630	RK73GB2A102J	MG RESISTOR	1kΩ 1/10W J	1	
	R631	RK73GB2A102J	MG RESISTOR	1kΩ 1/10W J	1	
	R640	RK73HB1J473J	MG RESISTOR	47kΩ 1/16W J	1	
	R641	RK73HB1J102J	MG RESISTOR	1kΩ 1/16W J	1	
	R642	RK73HB1J102J	MG RESISTOR	1kΩ 1/16W J	1	
	R649	RK73HB1J000J	MG RESISTOR	0Ω 1/16W J	1	
	R650	RK73HB1J473J	MG RESISTOR	47kΩ 1/16W J	1	
	R652	RK73HB1J000J	MG RESISTOR	0Ω 1/16W J	1	
	R653	RK73HB1J473J	MG RESISTOR	47kΩ 1/16W J	1	
	R654	RK73HB1J201J	MG RESISTOR	200Ω 1/16W J	1	
	R698	RK73GB2A101J	MG RESISTOR	100Ω 1/10W J	1	
	R700	RK73HB1J330J	MG RESISTOR	33Ω 1/16W J	1	
	R701	RK73HB1J330J	MG RESISTOR	33Ω 1/16W J	1	
	R702	RK73HB1J330J	MG RESISTOR	33Ω 1/16W J	1	
	R703	RK73HB1J330J	MG RESISTOR	33Ω 1/16W J	1	
	R705	RK73HB1J472J	MG RESISTOR	4.7kΩ 1/16W J	1	
	R706	RK73HB1J473J	MG RESISTOR	47kΩ 1/16W J	1	
	R707	RK73HB1J101J	MG RESISTOR	100Ω 1/16W J	1	
	R708	RK73HB1J330J	MG RESISTOR	33Ω 1/16W J	1	
	R709	RK73HB1J472J	MG RESISTOR	4.7kΩ 1/16W J	1	
	R710	RK73HB1J330J	MG RESISTOR	33Ω 1/16W J	1	
	R711	RK73HB1J330J	MG RESISTOR	33Ω 1/16W J	1	
	R713	RK73HB1J330J	MG RESISTOR	33Ω 1/16W J	1	
	R715	RK73HB1J000J	MG RESISTOR	0Ω 1/16W J	1	
	R716	RK73HB1J101J	MG RESISTOR	100Ω 1/16W J	1	
	R717	RK73HB1J101J	MG RESISTOR	100Ω 1/16W J	1	
	R718	RK73HB1J330J	MG RESISTOR	33Ω 1/16W J	1	
	R719	RK73HB1J302J	MG RESISTOR	3kΩ 1/16W J	1	
	R720	RK73HB1J152J	MG RESISTOR	1.5kΩ 1/16W J	1	
	R731	RK73HB1J330J	MG RESISTOR	33Ω 1/16W J	1	
	R732	RK73HB1J330J	MG RESISTOR	33Ω 1/16W J	1	
	R735	RK73HB1J000J	MG RESISTOR	0Ω 1/16W J	1	
	R738	RK73HB1J330J	MG RESISTOR	33Ω 1/16W J	1	
	R741	RK73HB1J105J	MG RESISTOR	1MΩ 1/16W J	1	
	R751	RK73HB1J222J	MG RESISTOR	2.2kΩ 1/16W J	1	
	R752	RK73HB1J222J	MG RESISTOR	2.2kΩ 1/16W J	1	
	R754	RK73HB1J000J	MG RESISTOR	0Ω 1/16W J	1	
	R755	RK73HB1J272J	MG RESISTOR	2.7kΩ 1/16W J	1	
	R756	RK73HB1J000J	MG RESISTOR	0Ω 1/16W J	1	
	R757	RK73HB1J101J	MG RESISTOR	100Ω 1/16W J	1	
	R758	RK73HB1J122J	MG RESISTOR	1.2kΩ 1/16W J	1	
	R759	RK73HB1J000J	MG RESISTOR	0Ω 1/16W J	1	
	R768	RK73HB1J000J	MG RESISTOR	0Ω 1/16W J	1	

MODEL	MARK	MODEL	MARK
DDX9702S	K1	DDX9902S	K0

Safe	Symbol No.	Parts No.	Parts Name	Description	QTY	Local
	R773	RK73HB1J225J	MG RESISTOR	2.2MΩ 1/16W J	1	
	R776	RK73HB1J473J	MG RESISTOR	47kΩ 1/16W J	1	
	R778	RK73HB1J103J	MG RESISTOR	10kΩ 1/16W J	1	
	R779	RK73HB1J103J	MG RESISTOR	10kΩ 1/16W J	1	
	R780	RK73HB1J000J	MG RESISTOR	0Ω 1/16W J	1	
	R789	RK73HB1J000J	MG RESISTOR	0Ω 1/16W J	1	
	R790	RK73HB1J304J	MG RESISTOR	300kΩ 1/16W J	1	
	R791	RK73HB1J391J	MG RESISTOR	390Ω 1/16W J	1	
	R792	RK73HB1J223J	MG RESISTOR	22kΩ 1/16W J	1	
	R831	RK73GB2A100J	MG RESISTOR	10Ω 1/10W J	1	
	R832	RK73GB2A100J	MG RESISTOR	10Ω 1/10W J	1	
	R833	RK73GB2A100J	MG RESISTOR	10Ω 1/10W J	1	
	R834	RK73GB2A100J	MG RESISTOR	10Ω 1/10W J	1	
	R851	RK73HB1J272J	MG RESISTOR	2.7kΩ 1/16W J	1	
	R852	RK73HB1J000J	MG RESISTOR	0Ω 1/16W J	1	
	R853	RK73HB1J101J	MG RESISTOR	100Ω 1/16W J	1	
	R855	RK73HB1J473J	MG RESISTOR	47kΩ 1/16W J	1	
	R857	RK73HB1J101J	MG RESISTOR	100Ω 1/16W J	1	
	R859	RK73HB1J101J	MG RESISTOR	100Ω 1/16W J	1	
	R860	RK73HB1J000J	MG RESISTOR	0Ω 1/16W J	1	
	R861	RK73HB1J000J	MG RESISTOR	0Ω 1/16W J	1	
	R862	RK73HB1J101J	MG RESISTOR	100Ω 1/16W J	1	
	R863	RK73HB1J101J	MG RESISTOR	100Ω 1/16W J	1	
	R870	RK73HB1J000J	MG RESISTOR	0Ω 1/16W J	1	
	R901	RK73GB2A000J	MG RESISTOR	0Ω 1/10W J	1	
	R903	RK73GB2A000J	MG RESISTOR	0Ω 1/10W J	1	
	R906	RK73HB1J101J	MG RESISTOR	100Ω 1/16W J	1	
	R907	RK73HB1J101J	MG RESISTOR	100Ω 1/16W J	1	
	R908	RK73HB1J101J	MG RESISTOR	100Ω 1/16W J	1	
	R909	RK73HB1J101J	MG RESISTOR	100Ω 1/16W J	1	
	R910	RK73HB1J101J	MG RESISTOR	100Ω 1/16W J	1	
	R911	RK73HB1J000J	MG RESISTOR	0Ω 1/16W J	1	
	R912	RK73HB1J000J	MG RESISTOR	0Ω 1/16W J	1	
	R913	RK73HB1J000J	MG RESISTOR	0Ω 1/16W J	1	
	R914	RK73HB1J000J	MG RESISTOR	0Ω 1/16W J	1	
	R915	RK73HB1J000J	MG RESISTOR	0Ω 1/16W J	1	
	R916	RK73HB1J000J	MG RESISTOR	0Ω 1/16W J	1	
	R917	RK73HB1J000J	MG RESISTOR	0Ω 1/16W J	1	
	R918	RK73HB1J000J	MG RESISTOR	0Ω 1/16W J	1	
	R919	RK73HB1J000J	MG RESISTOR	0Ω 1/16W J	1	
	R920	RK73HB1J000J	MG RESISTOR	0Ω 1/16W J	1	
	R922	RK73HB1J000J	MG RESISTOR	0Ω 1/16W J	1	
	R923	RK73HB1J222J	MG RESISTOR	2.2kΩ 1/16W J	1	
	R924	RK73HB1J272J	MG RESISTOR	2.7kΩ 1/16W J	1	
	R925	RK73HB1J000J	MG RESISTOR	0Ω 1/16W J	1	
	R931	RK73HB1J221J	MG RESISTOR	220Ω 1/16W J	1	
	R932	RK73HB1J221J	MG RESISTOR	220Ω 1/16W J	1	
	R933	RK73HB1J221J	MG RESISTOR	220Ω 1/16W J	1	
	R934	RK73HB1J221J	MG RESISTOR	220Ω 1/16W J	1	
	R935	RK73HB1J221J	MG RESISTOR	220Ω 1/16W J	1	
	R936	RK73HB1J221J	MG RESISTOR	220Ω 1/16W J	1	
	R937	RK73HB1J221J	MG RESISTOR	220Ω 1/16W J	1	
	R938	RK73HB1J221J	MG RESISTOR	220Ω 1/16W J	1	
	R941	RK73HB1J752J	MG RESISTOR	7.5kΩ 1/16W J	1	
	R942	RK73HB1J272J	MG RESISTOR	2.7kΩ 1/16W J	1	
	R943	RK73HB1J101J	MG RESISTOR	100Ω 1/16W J	1	
	R951	RK73HB1J220J	MG RESISTOR	22Ω 1/16W J	1	
	R952	RK73HB1J220J	MG RESISTOR	22Ω 1/16W J	1	
	R955	RK73HB1J103J	MG RESISTOR	10kΩ 1/16W J	1	
	R956	RK73HB1J000J	MG RESISTOR	0Ω 1/16W J	1	
	R958	RK73HB1J000J	MG RESISTOR	0Ω 1/16W J	1	
	R962	RK73HB1J332J	MG RESISTOR	3.3kΩ 1/16W J	1	
	R963	RK73HB1J332J	MG RESISTOR	3.3kΩ 1/16W J	1	
	R5001	RK73HH1J102D	MG RESISTOR	1kΩ 1/16W D	1	
	R5002	RK73HB1J105J	MG RESISTOR	1MΩ 1/16W J	1	
	R5003	RK73HH1J102D	MG RESISTOR	1kΩ 1/16W D	1	
	R5005	RK73HB1J472J	MG RESISTOR	4.7kΩ 1/16W J	1	
	R5007	RK73HB1J472J	MG RESISTOR	4.7kΩ 1/16W J	1	
	R5008	RK73HB1J472J	MG RESISTOR	4.7kΩ 1/16W J	1	
	R5009	RK73HB1J272J	MG RESISTOR	2.7kΩ 1/16W J	1	
	R5011	RK73HB1J000J	MG RESISTOR	0Ω 1/16W J	1	
	R5012	RK73HB1J000J	MG RESISTOR	0Ω 1/16W J	1	
	R5014	RK73HB1J000J	MG RESISTOR	0Ω 1/16W J	1	
	R5015	RK73HB1J000J	MG RESISTOR	0Ω 1/16W J	1	
	R5018	RK73HB1J106J	MG RESISTOR	10MΩ 1/16W J	1	
	R5019	RK73HB1J000J	MG RESISTOR	0Ω 1/16W J	1	
	R5020	RK73HB1J332J	MG RESISTOR	3.3kΩ 1/16W J	1	
	R5022	RK73HB1J272J	MG RESISTOR	2.7kΩ 1/16W J	1	
	R5023	RK73HB1J332J	MG RESISTOR	3.3kΩ 1/16W J	1	
	R5025	RK73HB1J272J	MG RESISTOR	2.7kΩ 1/16W J	1	
	R5026	RK73HB1J272J	MG RESISTOR	2.7kΩ 1/16W J	1	
	R5027	RK73HB1J103J	MG RESISTOR	10kΩ 1/16W J	1	K0
	R5028	RK73HB1J272J	MG RESISTOR	2.7kΩ 1/16W J	1	K1
	R5029	RK73HB1J272J	MG RESISTOR	2.7kΩ 1/16W J	1	
	R5030	RK73HH1J201D	MG RESISTOR	200Ω 1/16W D	1	
	R5031	RK73HB1J102J	MG RESISTOR	1kΩ 1/16W J	1	
	R5034	RK73HB1J102J	MG RESISTOR	1kΩ 1/16W J	1	
	R5035	RK73HH1J44R2D	MG RESISTOR	44.2Ω 1/16W D	1	
	R5040	RK73HB1J472J	MG RESISTOR	4.7kΩ 1/16W J	1	
	R5041	RK73HH1J392D	MG RESISTOR	3.9kΩ 1/16W D	1	
	R5042	RK73HH1J681D	MG RESISTOR	680Ω 1/16W D	1	
	R5043	RK73HH1J241D	MG RESISTOR	240Ω 1/16W D	1	
	R5044	RK73HB1J122J	MG RESISTOR	1.2kΩ 1/16W J	1	

MODEL	MARK	MODEL	MARK
DDX9702S	K1	DDX9902S	K0

Safe	Symbol No.	Parts No.	Parts Name	Description	QTY	Local
	R5045	RK73HB1J472J	MG RESISTOR	4.7kΩ 1/16W J	1	
	R5046	RK73HB1J103J	MG RESISTOR	10kΩ 1/16W J	1	
	R5047	RK73HB1J103J	MG RESISTOR	10kΩ 1/16W J	1	
	R5048	RK73HB1J000J	MG RESISTOR	0Ω 1/16W J	1	
	R5053	RK73HB1J103J	MG RESISTOR	10kΩ 1/16W J	1	
	R5054	RK73HB1J103J	MG RESISTOR	10kΩ 1/16W J	1	
	R5057	RK73HB1J103J	MG RESISTOR	10kΩ 1/16W J	1	
	R5061	RK73HB1J000J	MG RESISTOR	0Ω 1/16W J	1	
	R5062	RK73HB1J332J	MG RESISTOR	3.3kΩ 1/16W J	1	
	R5063	RK73HB1J272J	MG RESISTOR	2.7kΩ 1/16W J	1	
	R5064	RK73HB1J332J	MG RESISTOR	3.3kΩ 1/16W J	1	
	R5065	RK73HB1J272J	MG RESISTOR	2.7kΩ 1/16W J	1	
	R5068	RK73HB1J272J	MG RESISTOR	2.7kΩ 1/16W J	1	
	R5069	RK73HB1J272J	MG RESISTOR	2.7kΩ 1/16W J	1	
	R5070	RK73HB1J272J	MG RESISTOR	2.7kΩ 1/16W J	1	
	R5074	RK73HB1J220J	MG RESISTOR	22Ω 1/16W J	1	
	R5076	RK73HB1J000J	MG RESISTOR	0Ω 1/16W J	1	
	R5077	RK73HB1J272J	MG RESISTOR	2.7kΩ 1/16W J	1	
	R5078	RK73HB1J000J	MG RESISTOR	0Ω 1/16W J	1	
	R5079	RK73HB1J000J	MG RESISTOR	0Ω 1/16W J	1	
	R5080	RK73HB1J223J	MG RESISTOR	22kΩ 1/16W J	1	
	R5081	RK73HB1J000J	MG RESISTOR	0Ω 1/16W J	1	
	R5082	RK73HB1J220J	MG RESISTOR	22Ω 1/16W J	1	
	R5083	RK73HB1J473J	MG RESISTOR	47kΩ 1/16W J	1	
	R5084	RK73HB1J103J	MG RESISTOR	10kΩ 1/16W J	1	
	R5086	RK73HB1J103J	MG RESISTOR	10kΩ 1/16W J	1	
	R5088	RK73HB1J102J	MG RESISTOR	1kΩ 1/16W J	1	
	R5089	RK73HB1J473J	MG RESISTOR	47kΩ 1/16W J	1	
	R5091	RK73HB1J473J	MG RESISTOR	47kΩ 1/16W J	1	
	R5092	RK73HB1J473J	MG RESISTOR	47kΩ 1/16W J	1	
	R5093	RK73HB1J102J	MG RESISTOR	1kΩ 1/16W J	1	
	R5094	RK73HB1J473J	MG RESISTOR	47kΩ 1/16W J	1	
	R5095	RK73HB1J303D	MG RESISTOR	30kΩ 1/16W D	1	
	R5097	RK73HB1J272J	MG RESISTOR	2.7kΩ 1/16W J	1	
	R5098	RK73HB1J000J	MG RESISTOR	0Ω 1/16W J	1	
	R5099	RK73HB1J272J	MG RESISTOR	2.7kΩ 1/16W J	1	
	R5103	RK73HB1J332J	MG RESISTOR	3.3kΩ 1/16W J	1	
	R5203	RK73HB1J103J	MG RESISTOR	10kΩ 1/16W J	1	
	R5204	RK73HB1J472J	MG RESISTOR	4.7kΩ 1/16W J	1	
	R5205	RK73HB1J272J	MG RESISTOR	2.7kΩ 1/16W J	1	
	R5207	RK73HB1J103J	MG RESISTOR	10kΩ 1/16W J	1	
	R5208	RK73HB1J103J	MG RESISTOR	10kΩ 1/16W J	1	
	R5210	RK73HB1J000J	MG RESISTOR	0Ω 1/16W J	1	
	R5222	RK73HB1J103J	MG RESISTOR	10kΩ 1/16W J	1	
	R5250	RK73FB2B102J	MG RESISTOR	1kΩ 1/8W J	1	
	R5271	RK73HB1J220J	MG RESISTOR	22Ω 1/16W J	1	
	R5272	RK73HB1J220J	MG RESISTOR	22Ω 1/16W J	1	
	R5273	RK73HB1J103J	MG RESISTOR	10kΩ 1/16W J	1	
	R5274	RK73HB1J472J	MG RESISTOR	4.7kΩ 1/16W J	1	
	R5275	RK73HB1J220J	MG RESISTOR	22Ω 1/16W J	1	
	R5276	RK73HB1J220J	MG RESISTOR	22Ω 1/16W J	1	
	R5277	RK73HB1J220J	MG RESISTOR	22Ω 1/16W J	1	
	R5278	RK73HB1J472J	MG RESISTOR	4.7kΩ 1/16W J	1	
	R5279	RK73HB1J472J	MG RESISTOR	4.7kΩ 1/16W J	1	
	R5280	RK73HB1J472J	MG RESISTOR	4.7kΩ 1/16W J	1	
	R5281	RK73HB1J472J	MG RESISTOR	4.7kΩ 1/16W J	1	
	R5282	RK73HB1J103J	MG RESISTOR	10kΩ 1/16W J	1	
	R5283	RK73HB1J220J	MG RESISTOR	22Ω 1/16W J	1	
	R5284	RK73HB1J101J	MG RESISTOR	100Ω 1/16W J	1	
	R5285	RK73HB1J220J	MG RESISTOR	22Ω 1/16W J	1	
	R5286	RK73HB1J220J	MG RESISTOR	22Ω 1/16W J	1	
	R5287	RK73HB1J472J	MG RESISTOR	4.7kΩ 1/16W J	1	
	R5288	RK73HB1J220J	MG RESISTOR	22Ω 1/16W J	1	
	R5289	RK73HB1J101J	MG RESISTOR	100Ω 1/16W J	1	
	R5290	RK73HB1J101J	MG RESISTOR	100Ω 1/16W J	1	
	R5291	RK73HB1J101J	MG RESISTOR	100Ω 1/16W J	1	
	R5292	RK73HB1J103J	MG RESISTOR	10kΩ 1/16W J	1	
	R5293	RK73HB1J103J	MG RESISTOR	10kΩ 1/16W J	1	
	R5301	RK73HH1J103D	MG RESISTOR	10kΩ 1/16W D	1	
	R5302	RK73HH1J103D	MG RESISTOR	10kΩ 1/16W D	1	
	R5303	RK73HH1J103D	MG RESISTOR	10kΩ 1/16W D	1	
	R5304	RK73HH1J103D	MG RESISTOR	10kΩ 1/16W D	1	
	R5305	RK73HH1J241D	MG RESISTOR	240Ω 1/16W D	1	
	R5306	RK73HH1J103D	MG RESISTOR	10kΩ 1/16W D	1	
	R5307	RK73HH1J103D	MG RESISTOR	10kΩ 1/16W D	1	
	R5308	RK73HH1J103D	MG RESISTOR	10kΩ 1/16W D	1	
	R5309	RK73HH1J103D	MG RESISTOR	10kΩ 1/16W D	1	
	R5310	RK73HH1J241D	MG RESISTOR	240Ω 1/16W D	1	
	R5311	RK73HH1J102D	MG RESISTOR	1kΩ 1/16W D	1	
	R5312	RK73HH1J102D	MG RESISTOR	1kΩ 1/16W D	1	
	R5417	RK73HB1J390J	MG RESISTOR	39Ω 1/16W J	1	
	R5429	RK73HB1J390J	MG RESISTOR	39Ω 1/16W J	1	
	R5449	RK73HB1J390J	MG RESISTOR	39Ω 1/16W J	1	
	R5450	RK73HB1J390J	MG RESISTOR	39Ω 1/16W J	1	
	R5556	RK73HB1J000J	MG RESISTOR	0Ω 1/16W J	1	
	R5557	RK73HB1J000J	MG RESISTOR	0Ω 1/16W J	1	
	R5558	RK73HB1J000J	MG RESISTOR	0Ω 1/16W J	1	
	R5559	RK73HB1J000J	MG RESISTOR	0Ω 1/16W J	1	
	R5560	RK73HB1J000J	MG RESISTOR	0Ω 1/16W J	1	
	R5561	RK73HB1J000J	MG RESISTOR	0Ω 1/16W J	1	
	R5562	RK73HB1J000J	MG RESISTOR	0Ω 1/16W J	1	
	R5564	RK73HH1J750D	MG RESISTOR	75Ω 1/16W D	1	

MODEL	MARK	MODEL	MARK
DDX9702S	K1	DDX9902S	K0

Safe	Symbol No.	Parts No.	Parts Name	Description	QTY	Local
	R5565	RK73HH1J750D	MG RESISTOR	75Ω 1/16W D	1	
	R5566	RK73HH1J201D	MG RESISTOR	200Ω 1/16W D	1	
	R5567	RK73HH1J201D	MG RESISTOR	200Ω 1/16W D	1	
	R5568	RK73HH1J201D	MG RESISTOR	200Ω 1/16W D	1	
	R5569	RK73HH1J750D	MG RESISTOR	75Ω 1/16W D	1	
	R5570	RK73HB1J000J	MG RESISTOR	0Ω 1/16W J	1	
	R5573	RK73HB1J272J	MG RESISTOR	2.7kΩ 1/16W J	1	
	R5574	RK73HB1J473J	MG RESISTOR	47kΩ 1/16W J	1	
	R5575	RK73HB1J102J	MG RESISTOR	1kΩ 1/16W J	1	
	R5576	RK73HB1J105J	MG RESISTOR	1MΩ 1/16W J	1	
	R5578	RK73HB1J000J	MG RESISTOR	0Ω 1/16W J	1	
	R5579	RK73HH1J750D	MG RESISTOR	75Ω 1/16W D	1	
	R5580	RK73HB1J000J	MG RESISTOR	0Ω 1/16W J	1	
	R5582	RK73HB1J000J	MG RESISTOR	0Ω 1/16W J	1	
	R5584	RK73HB1J000J	MG RESISTOR	0Ω 1/16W J	1	
	R5585	RK73HB1J000J	MG RESISTOR	0Ω 1/16W J	1	
	R5587	RK73GB2A000J	MG RESISTOR	0Ω 1/10W J	1	
	R5588	RK73GB2A000J	MG RESISTOR	0Ω 1/10W J	1	
	R5589	RK73GB2A000J	MG RESISTOR	0Ω 1/10W J	1	
	R5590	RK73HB1J223J	MG RESISTOR	22kΩ 1/16W J	1	
	RA501	RK74HB1J220J	NET RESISTOR	22Ω 1/16W J	1	
	RA502	RK74HB1J220J	NET RESISTOR	22Ω 1/16W J	1	
	RA503	RK74HB1J220J	NET RESISTOR	22Ω 1/16W J	1	
	RA504	RK74HB1J220J	NET RESISTOR	22Ω 1/16W J	1	
	RA505	RK74HB1J220J	NET RESISTOR	22Ω 1/16W J	1	
	RA506	RK74HB1J220J	NET RESISTOR	22Ω 1/16W J	1	
	RA521	RK74HB1J680J	NET RESISTOR	68Ω 1/16W J	1	
	RA522	RK74HB1J680J	NET RESISTOR	68Ω 1/16W J	1	
	RA523	RK74HB1J680J	NET RESISTOR	68Ω 1/16W J	1	
	RA524	RK74HB1J680J	NET RESISTOR	68Ω 1/16W J	1	
	RA700	RK74HB1J330J	NET RESISTOR	33Ω 1/16W J	1	
	RA701	RK74HB1J330J	NET RESISTOR	33Ω 1/16W J	1	
	RA702	RK74HB1J330J	NET RESISTOR	33Ω 1/16W J	1	
	RA703	RK74HB1J330J	NET RESISTOR	33Ω 1/16W J	1	
	RA704	RK74HB1J330J	NET RESISTOR	33Ω 1/16W J	1	
	RA705	RK74HB1J330J	NET RESISTOR	33Ω 1/16W J	1	
	RA5431	RK74HB1J390J	NET RESISTOR	39Ω 1/16W J	1	
	RA5432	RK74HB1J390J	NET RESISTOR	39Ω 1/16W J	1	
	L101	NQLQ1EM-100X	INDUCTOR	10uH M	1	
	L102	NQLQ1EM-100X	INDUCTOR	10uH M	1	
	L103	NQLQ1EM-100X	INDUCTOR	10uH M	1	
	L601	LR79Z0DE220M	CHIP INDUCTOR	22uH	1	
	L602	LR79Z0DE220M	CHIP INDUCTOR	22uH	1	
	L765	LR73Z0AD4R7M	CHIP INDUCTOR	4.7uH	1	
	L831	NQL77GK-100X	INDUCTOR	10uH K	1	
	L901	LR73Z0AD100M	CHIP INDUCTOR	10uH	1	
	L951	NQLP9AJ-27NX	INDUCTOR	27nH J	1	
	L952	NQLP7AG-8N2X	INDUCTOR	8.2nH G	1	
	L953	NQLZ021-9N1X	INDUCTOR	9.1nH	1	
	L954	NQR0593-001X	FERRITE BEADS		1	
	L955	NQR0593-001X	FERRITE BEADS		1	
	L5001	LB73G0BK-002	CHIP FERRITE		1	
	L5002	LB73G0BK-002	CHIP FERRITE		1	
	L5004	LB73G0BK-002	CHIP FERRITE		1	
	L5551	LB73G0BK-006	CHIP FERRITE		1	
	L5552	LB73G0BK-003	CHIP FERRITE		1	
	L5553	LB73G0BK-003	CHIP FERRITE		1	
	L5554	LB73G0BK-003	CHIP FERRITE		1	
	A951	NAU0020-001X	RF MODULE		1	
	CN1	QGA2001F6-05X	W TO B CONNE	W-B (1-5)	1	
	CN101	QGF0534F7-60X	FFC/FPC CONNE	FFC/FPC (1-60)	1	
	CN102	QGF0534F7-20X	FFC/FPC CONNE	FFC/FPC (1-20)	1	
	CN103	QGF0534F7-15X	FFC/FPC CONNE	FFC/FPC (1-15)	1	
	CN527	QGF0545F3-16X	FFC/FPC CONNE	FFC/FPC (1-16)	1	
	CN881	QGA2501C1-02	W TO B CONNE	W-B (1-2)	1	
	CN882	QGA2501C1-02	W TO B CONNE	W-B (1-2)	1	
	CN931	QGA2001C1-02	W TO B CONNE	W-B (1-2)	1	
	CN932	QGA2001C1-02	W TO B CONNE	W-B (1-2)	1	
	FL956	NAX1261-001X	SAW FILTER		1	
	J700	NNZ0292-001X	HDMI CONNECTOR		1	
	VA1	NAF0031-001X	ESD SUPPRESSOR		1	
	VA2	NAF0031-001X	ESD SUPPRESSOR		1	
	VA700	NAF0019-001X	VARIATOR(ZNR)		1	
	VA701	NAF0019-001X	VARIATOR(ZNR)		1	
	VA702	NAF0019-001X	VARIATOR(ZNR)		1	
	VA703	NAF0019-001X	VARIATOR(ZNR)		1	
	VA704	NAF0019-001X	VARIATOR(ZNR)		1	
	VA705	NAF0019-001X	VARIATOR(ZNR)		1	
	VA951	NAF0029-002X	ESD SUPPRESSOR		1	
	W951	E3A-0163-00	CORD W.CON.		1	
	X555	NAX1145-001X	CRYSTAL		1	
	X700	L7J-0052-00	QUARTZ CRYSTAL		1	
	X901	NAX1204-001X	CRYSTAL		1	
	X951	L7H-0017-00	TCXO		1	
	X952	NAX1248-001X	CRYSTAL		1	
	X5001	NAX1179-001X	CRYSTAL		1	
	X5002	NAX1248-001X	CRYSTAL		1	

VIDEO PWB ASSY (XJ8-0020-13) <XJ8>

IC401	MST7912MD-I	IC	1
IC402	W3F-0038-00	IC	1
IC403	XC6223D331PG-X	IC	1
IC404	XC6223D331PG-X	IC	1

MODEL	MARK	MODEL	MARK
DDX9702S	K1	DDX9902S	K0

Safe	Symbol No.	Parts No.	Parts Name	Description	QTY	Local
	IC405	XC6223D331PG-X	IC		1	
	IC406	XC6223B121PG-X	IC		1	
	IC501	NJM2831F92-X	SV-ANALOGUE IC		1	
	IC511	BA2904FVM	MOS IC		1	
	Q4001	LTC014YEBFS8	DIGI TRANSISTOR		1	
	Q5201	LTC014EEBFS8	DIGI TRANSISTOR		1	
	Q5202	LSCR523UBFS8	TRANSISTOR		1	
	Q5203	LSCR523UBFS8	TRANSISTOR		1	
	Q5301	LSAR523UBFS8	TRANSISTOR		1	
	Q5302	LSAR523UBFS8	TRANSISTOR		1	
	D5201	DA2J101	DIODE		1	
	D5202	DZ2J180M	ZENER DIODE		1	
	C4005	CC73HCH1H470J	C CAPACITOR	47pF 50V J	1	
	C4006	CK73HBB1A104K	C CAPACITOR	0.1uF 10V K	1	
	C4007	CK73HBB1A104K	C CAPACITOR	0.1uF 10V K	1	
	C4008	CK73HBB1C103K	C CAPACITOR	0.01uF 16V K	1	
	C4009	CK73HBB1A104K	C CAPACITOR	0.1uF 10V K	1	
	C4010	CK73HBB1A104K	C CAPACITOR	0.1uF 10V K	1	
	C4011	CK73HBB1A104K	C CAPACITOR	0.1uF 10V K	1	
	C4012	CK73HBB1A104K	C CAPACITOR	0.1uF 10V K	1	
	C4013	CK73HBB1A104K	C CAPACITOR	0.1uF 10V K	1	
	C4014	CK73HBB1A104K	C CAPACITOR	0.1uF 10V K	1	
	C4015	CK73HBB1A104K	C CAPACITOR	0.1uF 10V K	1	
	C4016	CK73HBB1A104K	C CAPACITOR	0.1uF 10V K	1	
	C4017	CK73HBB1A104K	C CAPACITOR	0.1uF 10V K	1	
	C4018	CK73HBB1A104K	C CAPACITOR	0.1uF 10V K	1	
	C4019	CK73HBB1A104K	C CAPACITOR	0.1uF 10V K	1	
	C4020	CK73HBB1A104K	C CAPACITOR	0.1uF 10V K	1	
	C4021	CK73HBB1A104K	C CAPACITOR	0.1uF 10V K	1	
	C4022	CK73HBB1A104K	C CAPACITOR	0.1uF 10V K	1	
	C4023	CK73HBB1A104K	C CAPACITOR	0.1uF 10V K	1	
	C4025	CK73HBB1A104K	C CAPACITOR	0.1uF 10V K	1	
	C4026	CK73HBB1A104K	C CAPACITOR	0.1uF 10V K	1	
	C4027	CK73HBB1A104K	C CAPACITOR	0.1uF 10V K	1	
	C4028	NCB20JK-106X	C CAPACITOR	10uF 6.3V K	1	
	C4029	NCB20JK-106X	C CAPACITOR	10uF 6.3V K	1	
	C4030	CK730BW0J226M	C CAPACITOR	22uF 6.3V M	1	
	C4031	CC73HCH1H102J	C CAPACITOR	1000pF 50V J	1	
	C4033	CC73HCH1H102J	C CAPACITOR	1000pF 50V J	1	
	C4034	CK73HBB1A104K	C CAPACITOR	0.1uF 10V K	1	
	C4035	CK73HBB1A104K	C CAPACITOR	0.1uF 10V K	1	
	C4036	CK730BS0J105K	C CAPACITOR	1uF 6.3V K	1	
	C4037	CK73HBB1A104K	C CAPACITOR	0.1uF 10V K	1	
	C4040	CC73HCH1H180J	C CAPACITOR	18pF 50V J	1	
	C4041	CC73HCH1H180J	C CAPACITOR	18pF 50V J	1	
	C4042	CK73HBB1A104K	C CAPACITOR	0.1uF 10V K	1	
	C4043	NCB20JK-106X	C CAPACITOR	10uF 6.3V K	1	
	C4044	CK73HBB1A104K	C CAPACITOR	0.1uF 10V K	1	
	C4045	CK730AU0J105K	C CAPACITOR	1uF 6.3V K	1	
	C4046	CK730AU0J105K	C CAPACITOR	1uF 6.3V K	1	
	C4047	CK73HBB1A104K	C CAPACITOR	0.1uF 10V K	1	
	C4048	CK730AU0J105K	C CAPACITOR	1uF 6.3V K	1	
	C4049	CK730AU0J105K	C CAPACITOR	1uF 6.3V K	1	
	C4050	CK730AU0J105K	C CAPACITOR	1uF 6.3V K	1	
	C4051	CK730AU0J105K	C CAPACITOR	1uF 6.3V K	1	
	C4060	CK730AU0J105K	C CAPACITOR	1uF 6.3V K	1	
	C4061	CK730AU0J105K	C CAPACITOR	1uF 6.3V K	1	
	C5001	NCB31HK-104X	C CAPACITOR	0.1uF 50V K	1	
	C5002	CK73HBB1C104K	C CAPACITOR	0.1uF 16V K	1	
	C5003	NCB20JK-106X	C CAPACITOR	10uF 6.3V K	1	
	C5004	CK730BW1C106K	C CAPACITOR	10uF 16V K	1	
	C5005	CK730AU0J105K	C CAPACITOR	1uF 6.3V K	1	
	C5010	NCB31CK-105X	C CAPACITOR	1uF 16V K	1	
	C5011	NCB31HK-104X	C CAPACITOR	0.1uF 50V K	1	
	C5103	CK73HBB1C104K	C CAPACITOR	0.1uF 16V K	1	
	C5201	NCB31HK-104X	C CAPACITOR	0.1uF 50V K	1	
	C5202	NCB21EK-105X	C CAPACITOR	1uF 25V K	1	
	C5203	NCB31HK-104X	C CAPACITOR	0.1uF 50V K	1	
	C5301	CK73HBB1C104K	C CAPACITOR	0.1uF 16V K	1	
	C5302	CK73HBB1A104K	C CAPACITOR	0.1uF 10V K	1	
	R4001	RK73HB1J220J	MG RESISTOR	22Ω 1/16W J	1	
	R4002	RK73HH1J330D	MG RESISTOR	33Ω 1/16W D	1	
	R4003	RK73HH1J330D	MG RESISTOR	33Ω 1/16W D	1	
	R4004	RK73HH1J330D	MG RESISTOR	33Ω 1/16W D	1	
	R4005	RK73HH1J330D	MG RESISTOR	33Ω 1/16W D	1	
	R4006	RK73HH1J31D	MG RESISTOR	130Ω 1/16W D	1	
	R4007	RK73HH1J131D	MG RESISTOR	130Ω 1/16W D	1	
	R4008	RK73HH1J131D	MG RESISTOR	130Ω 1/16W D	1	
	R4010	RK73HB1J102J	MG RESISTOR	1kΩ 1/16W J	1	
	R4011	RK73HB1J102J	MG RESISTOR	1kΩ 1/16W J	1	
	R4012	RK73HB1J000J	MG RESISTOR	0Ω 1/16W J	1	
	R4013	RK73HH1J470D	MG RESISTOR	47Ω 1/16W D	1	
	R4014	RK73HH1J470D	MG RESISTOR	47Ω 1/16W D	1	
	R4015	RK73HH1J470D	MG RESISTOR	47Ω 1/16W D	1	
	R4017	RK73HB1J680J	MG RESISTOR	68Ω 1/16W J	1	
	R4018	RK73HB1J680J	MG RESISTOR	68Ω 1/16W J	1	
	R4019	RK73HB1J101J	MG RESISTOR	100Ω 1/16W J	1	
	R4020	RK73HB1J101J	MG RESISTOR	100Ω 1/16W J	1	
	R4022	RK73HB1J473J	MG RESISTOR	47kΩ 1/16W J	1	
	R4023	RK73HB1J473J	MG RESISTOR	47kΩ 1/16W J	1	
	R4024	RK73HB1J330J	MG RESISTOR	33Ω 1/16W J	1	
	R4025	RK73HB1J330J	MG RESISTOR	33Ω 1/16W J	1	
	R4026	RK73HB1J330J	MG RESISTOR	33Ω 1/16W J	1	

MODEL	MARK	MODEL	MARK
DDX9702S	K1	DDX9902S	K0

Safe	Symbol No.	Parts No.	Parts Name	Description	QTY	Local
	R4027	RK73HB1J101J	MG RESISTOR	100Ω 1/16W J	1	
	R4028	RK73HB1J103J	MG RESISTOR	10kΩ 1/16W J	1	
	R4029	RK73HB1J472J	MG RESISTOR	4.7kΩ 1/16W J	1	
	R4030	RK73HB1J470J	MG RESISTOR	47Ω 1/16W J	1	
	R4031	RK73HB1J472J	MG RESISTOR	4.7kΩ 1/16W J	1	
	R4032	RK73HB1J102J	MG RESISTOR	1kΩ 1/16W J	1	
	R4033	RK73HB1J101J	MG RESISTOR	100Ω 1/16W J	1	
	R4034	RK73HB1J101J	MG RESISTOR	100Ω 1/16W J	1	
	R4035	RK73HB1J472J	MG RESISTOR	4.7kΩ 1/16W J	1	
	R4036	RK73HB1J472J	MG RESISTOR	4.7kΩ 1/16W J	1	
	R4037	RK73HB1J101J	MG RESISTOR	100Ω 1/16W J	1	
	R4038	RK73HB1J472J	MG RESISTOR	4.7kΩ 1/16W J	1	
	R4039	RK73HB1J101J	MG RESISTOR	100Ω 1/16W J	1	
	R4040	RK73HB1J101J	MG RESISTOR	100Ω 1/16W J	1	
	R4041	RK73HB1J330J	MG RESISTOR	33Ω 1/16W J	1	
	R4043	RK73HB1J101J	MG RESISTOR	100Ω 1/16W J	1	
	R4044	RK73HB1J101J	MG RESISTOR	100Ω 1/16W J	1	
	R4045	RK73HB1J101J	MG RESISTOR	100Ω 1/16W J	1	
	R4046	RK73HB1J101J	MG RESISTOR	100Ω 1/16W J	1	
	R4047	RK73HB1J470J	MG RESISTOR	47Ω 1/16W J	1	
	R4048	RK73HB1J101J	MG RESISTOR	100Ω 1/16W J	1	
	R4049	RK73HB1J470J	MG RESISTOR	47Ω 1/16W J	1	
	R4050	RK73HB1J101J	MG RESISTOR	100Ω 1/16W J	1	
	R4051	RK73HB1J101J	MG RESISTOR	100Ω 1/16W J	1	
	R4052	RK73HB1J101J	MG RESISTOR	100Ω 1/16W J	1	
	R4053	RK73HB1J102J	MG RESISTOR	1kΩ 1/16W J	1	
	R4054	RK73HB1J105J	MG RESISTOR	1MΩ 1/16W J	1	
	R4055	RK73HB1J101J	MG RESISTOR	100Ω 1/16W J	1	
	R4057	RK73HB1J102J	MG RESISTOR	1kΩ 1/16W J	1	
	R4058	RK73HB1J101J	MG RESISTOR	100Ω 1/16W J	1	
	R4060	RK73HB1J102J	MG RESISTOR	1kΩ 1/16W J	1	
	R4062	RK73HB1J102J	MG RESISTOR	1kΩ 1/16W J	1	
	R4063	RK73HB1J101J	MG RESISTOR	100Ω 1/16W J	1	
	R4064	RK73HB1J473J	MG RESISTOR	47kΩ 1/16W J	1	
	R4065	RK73HB1J102J	MG RESISTOR	1kΩ 1/16W J	1	
	R4066	RK73HB1J470J	MG RESISTOR	47Ω 1/16W J	1	
	R4067	RK73HB1J470J	MG RESISTOR	47Ω 1/16W J	1	
	R4068	RK73HB1J473J	MG RESISTOR	47kΩ 1/16W J	1	
	R4069	RK73HB1J473J	MG RESISTOR	47kΩ 1/16W J	1	
	R4601	RK73HB1J000J	MG RESISTOR	0Ω 1/16W J	1	
	R4605	RK73HB1J000J	MG RESISTOR	0Ω 1/16W J	1	
	R4607	RK73HB1J000J	MG RESISTOR	0Ω 1/16W J	1	
	R4611	RK73HB1J000J	MG RESISTOR	0Ω 1/16W J	1	
	R4612	RK73HB1J000J	MG RESISTOR	0Ω 1/16W J	1	
	R4621	RK73HB1J000J	MG RESISTOR	0Ω 1/16W J	1	
	R4622	RK73HB1J000J	MG RESISTOR	0Ω 1/16W J	1	
	R4631	RK73HB1J000J	MG RESISTOR	0Ω 1/16W J	1	
	R4632	RK73HB1J000J	MG RESISTOR	0Ω 1/16W J	1	
	R4640	RK73HB1J000J	MG RESISTOR	0Ω 1/16W J	1	
	R4642	RK73GB2A000J	MG RESISTOR	0Ω 1/10W J	1	
	R4643	RK73GB2A000J	MG RESISTOR	0Ω 1/10W J	1	
	R4644	RK73GB2A000J	MG RESISTOR	0Ω 1/10W J	1	
	R4645	RK73GB2A000J	MG RESISTOR	0Ω 1/10W J	1	
	R4646	RK73GB2A000J	MG RESISTOR	0Ω 1/10W J	1	
	R4647	RK73GB2A000J	MG RESISTOR	0Ω 1/10W J	1	
	R4648	RK73GB2A000J	MG RESISTOR	0Ω 1/10W J	1	
	R4649	RK73GB2A000J	MG RESISTOR	0Ω 1/10W J	1	
	R5001	RK73HH1J101D	MG RESISTOR	100Ω 1/16W D	1	
	R5002	RK73HH1J161D	MG RESISTOR	160Ω 1/16W D	1	
	R5003	RK73HH1J430D	MG RESISTOR	43Ω 1/16W D	1	
	R5004	RK73HH1J360D	MG RESISTOR	36Ω 1/16W D	1	
	R5005	RK73HH1J101D	MG RESISTOR	100Ω 1/16W D	1	
	R5006	RK73HH1J161D	MG RESISTOR	160Ω 1/16W D	1	
	R5007	RK73HH1J101D	MG RESISTOR	100Ω 1/16W D	1	
	R5008	RK73HH1J360D	MG RESISTOR	36Ω 1/16W D	1	
	R5009	RK73HH1J430D	MG RESISTOR	43Ω 1/16W D	1	
	R5010	RK73HH1J161D	MG RESISTOR	160Ω 1/16W D	1	
	R5011	RK73HH1J620D	MG RESISTOR	62Ω 1/16W D	1	
	R5012	RK73HB1J473J	MG RESISTOR	47kΩ 1/16W J	1	
	R5020	RK73HB1J101J	MG RESISTOR	100Ω 1/16W J	1	
	R5106	RK73HH1J512D	MG RESISTOR	5.1kΩ 1/16W D	1	
	R5107	RK73HH1J302D	MG RESISTOR	3kΩ 1/16W D	1	
	R5109	RK73HB1J105J	MG RESISTOR	1MΩ 1/16W J	1	
	R5201	RK73HB1J473J	MG RESISTOR	47kΩ 1/16W J	1	
	R5203	RK73HB1J183J	MG RESISTOR	18kΩ 1/16W J	1	
	R5204	RK73HB1J183J	MG RESISTOR	18kΩ 1/16W J	1	
	R5205	RK73HB1J471J	MG RESISTOR	470Ω 1/16W J	1	
	R5302	RK73HB1J103J	MG RESISTOR	10kΩ 1/16W J	1	
	R5303	RK73HH1J103D	MG RESISTOR	10kΩ 1/16W D	1	
	R5304	RK73HH1J562D	MG RESISTOR	5.6kΩ 1/16W D	1	
	RA401	RK74HB1J101J	NET RESISTOR	100Ω 1/16W J	1	
	RA402	RK74HB1J101J	NET RESISTOR	100Ω 1/16W J	1	
	RA403	RK74HB1J101J	NET RESISTOR	100Ω 1/16W J	1	
	RA404	RK74HB1J101J	NET RESISTOR	100Ω 1/16W J	1	
	RA405	RK74HB1J101J	NET RESISTOR	100Ω 1/16W J	1	
	CN401	QGF0534F7-30X	FFC/FPC CONNE	FFC/FPC (1-30)	1	
	CN501	QGF0534F7-60X	FFC/FPC CONNE	FFC/FPC (1-60)	1	
	X4001	NAX1168-001X	CRYSTAL		1	

PANEL-B PWB ASSY (LVA11272-09A) <L27>

△ IC351	CPI-210/BC/-X	SV PHOTO TR	1
Q3501	2SC1623/5-6/-X	TRANSISTOR	1

MODEL	MARK	MODEL	MARK
DDX9702S	K1	DDX9902S	K0

Safe	Symbol No.	Parts No.	Parts Name	Description	QTY	Local
	Q6010	2SA1577/QR/	TRANSISTOR		1	
	Q6011	LTC014YEBFS8	DIGI TRANSISTOR		1	
	Q6041	LSCR523UBFS8	TRANSISTOR		1	
	Q6042	LSCR523UBFS8	TRANSISTOR		1	
	Q6043	LSCR523UBFS8	TRANSISTOR		1	
	Q6044	LSCR523UBFS8	TRANSISTOR		1	
	Q6045	LSCR523UBFS8	TRANSISTOR		1	
	Q6046	LSCR523UBFS8	TRANSISTOR		1	
	Q6047	LSCR523UBFS8	TRANSISTOR		1	
	Q6048	LSCR523UBFS8	TRANSISTOR		1	
	Q6201	LSCR523UBFS8	TRANSISTOR		1	
	Q6202	LSCR523UBFS8	TRANSISTOR		1	
	Q6203	LSCR523UBFS8	TRANSISTOR		1	
	Q6301	LSCR523UBFS8	TRANSISTOR		1	
	Q6303	LSCR523UBFS8	TRANSISTOR		1	
	Q6305	LSCR523UBFS8	TRANSISTOR		1	
	D6010	DA2J101	DIODE		1	
	D6101	DZ2J062M	ZENER DIODE		1	
	D6102	DZ2J062M	ZENER DIODE		1	
	D6103	DZ2J062M	ZENER DIODE		1	
	D6104	DZ2J062M	ZENER DIODE		1	
	C6101	CC73GCH1H101J	C CAPACITOR	100pF 50V J	1	
	C6102	CC73GCH1H101J	C CAPACITOR	100pF 50V J	1	
	C6103	CC73GCH1H101J	C CAPACITOR	100pF 50V J	1	
	C6104	CC73GCH1H101J	C CAPACITOR	100pF 50V J	1	
	C6320	NCB20JK-106X	C CAPACITOR	10uF 6.3V K	1	
	R3501	RK73GB2A751J	MG RESISTOR	750Ω 1/10W J	1	
	R3503	RK73HB1J393J	MG RESISTOR	39kΩ 1/16W J	1	
	R3504	RK73HB1J333J	MG RESISTOR	33kΩ 1/16W J	1	
	R3505	RK73HB1J333J	MG RESISTOR	33kΩ 1/16W J	1	
	R3507	RK73HB1J682J	MG RESISTOR	6.8kΩ 1/16W J	1	
	R3508	RK73HB1J222J	MG RESISTOR	2.2kΩ 1/16W J	1	
	R3509	RK73HB1J102J	MG RESISTOR	1kΩ 1/16W J	1	
	R3510	RK73HB1J151J	MG RESISTOR	150Ω 1/16W J	1	
	R6005	RK73HB1J681J	MG RESISTOR	680Ω 1/16W J	1	
	R6010	RK73HB1J473J	MG RESISTOR	47kΩ 1/16W J	1	
	R6011	RK73HB1J153J	MG RESISTOR	15kΩ 1/16W J	1	
	R6012	RK73HB1J153J	MG RESISTOR	15kΩ 1/16W J	1	
	R6013	RK73HB1J000J	MG RESISTOR	0Ω 1/16W J	1	
	R6017	RK73HB1J000J	MG RESISTOR	0Ω 1/16W J	1	
	R6018	RK73HB1J000J	MG RESISTOR	0Ω 1/16W J	1	
	R6021	RK73PB2H5R1J	MG RESISTOR	5.1Ω 1/2W J	1	
	R6022	RK73PB2H5R1J	MG RESISTOR	5.1Ω 1/2W J	1	
	R6023	RK73PB2H5R1J	MG RESISTOR	5.1Ω 1/2W J	1	
	R6024	RK73PB2H5R1J	MG RESISTOR	5.1Ω 1/2W J	1	
	R6025	RK73PB2H5R1J	MG RESISTOR	5.1Ω 1/2W J	1	
	R6026	RK73PB2H5R1J	MG RESISTOR	5.1Ω 1/2W J	1	
	R6027	RK73PB2H5R1J	MG RESISTOR	5.1Ω 1/2W J	1	
	R6028	RK73PB2H5R1J	MG RESISTOR	5.1Ω 1/2W J	1	
	R6031	RK73HB1J000J	MG RESISTOR	0Ω 1/16W J	1	
	R6041	RK73HB1J000J	MG RESISTOR	0Ω 1/16W J	1	
	R6042	RK73HH1J151D	MG RESISTOR	150Ω 1/16W D	1	
	R6043	RK73HH1J151D	MG RESISTOR	150Ω 1/16W D	1	
	R6044	RK73HH1J151D	MG RESISTOR	150Ω 1/16W D	1	
	R6045	RK73HH1J151D	MG RESISTOR	150Ω 1/16W D	1	
	R6046	RK73HH1J151D	MG RESISTOR	150Ω 1/16W D	1	
	R6047	RK73HH1J151D	MG RESISTOR	150Ω 1/16W D	1	
	R6048	RK73HH1J151D	MG RESISTOR	150Ω 1/16W D	1	
	R6049	RK73HH1J151D	MG RESISTOR	150Ω 1/16W D	1	
	R6201	RK73HH1J151D	MG RESISTOR	150Ω 1/16W D	1	
	R6202	RK73HH1J151D	MG RESISTOR	150Ω 1/16W D	1	
	R6203	RK73HH1J151D	MG RESISTOR	150Ω 1/16W D	1	
	R6209	RK73HB1J121J	MG RESISTOR	120Ω 1/16W J	1	
	R6302	RK73HH1J301D	MG RESISTOR	300Ω 1/16W D	1	
	R6304	RK73HH1J301D	MG RESISTOR	300Ω 1/16W D	1	
	R6306	RK73HH1J301D	MG RESISTOR	300Ω 1/16W D	1	
	R6307	RK73HB1J473J	MG RESISTOR	47kΩ 1/16W J	1	
	R6308	RK73HB1J473J	MG RESISTOR	47kΩ 1/16W J	1	
	R6309	RK73HB1J473J	MG RESISTOR	47kΩ 1/16W J	1	
	R6310	RK73HB1J000J	MG RESISTOR	0Ω 1/16W J	1	
	R6311	RK73HB1J000J	MG RESISTOR	0Ω 1/16W J	1	
	R6312	RK73HB1J000J	MG RESISTOR	0Ω 1/16W J	1	
	R6320	RK73HB1J470J	MG RESISTOR	47Ω 1/16W J	1	
	RA601	RK74HB1J102J	NET RESISTOR	1kΩ 1/16W J	1	
	RA602	RK74HB1J102J	NET RESISTOR	1kΩ 1/16W J	1	
	RA603	RK74HB1J102J	NET RESISTOR	1kΩ 1/16W J	1	
	RA604	RK74HB1J102J	NET RESISTOR	1kΩ 1/16W J	1	
	CN351	QGF0534F7-08X	FFC/FPC CONNE	FFC/FPC (1-8)	1	
	CN352	QGA1002F1-02X	W TO B CONNE	W-B (1-2)	1	
	CN601	QGF0523F6-45W	FFC/FPC CONNE	FFC/FPC (1-45)	1	
	CN602	QGF0534F7-30X	FFC/FPC CONNE	FFC/FPC (1-30)	1	
	CN603	QGF1039F5-04X	FFC/FPC CONNE	FFC/FPC (1-4)	1	
	CN605	QGF0534F7-13X	FFC/FPC CONNE	FFC/FPC (1-13)	1	
	CN608	QGA1002F1-02X	W TO B CONNE	W-B (1-2)	1	
	S3501	NSW0225-001X	DETECT SWITCH		1	
	S3502	NSW0126-001X	DETECT SWITCH		1	
	OPERATION PWB ASSY (XJ7-0100-10) <XJ7>					
	IC651	PIC95603-X	IR DETECT UNIT		1	
	D651	NSSM124T-W	LED		1	
	D652	NSSM124T-W	LED		1	
	D653	NSSM124T-W	LED		1	
	D654	NSSM124T-W	LED		1	

MODEL	MARK	MODEL	MARK
DDX9702S	K1	DDX9902S	K0

Safe	Symbol No.	Parts No.	Parts Name	Description	QTY	Local
	D658	SML-D12V8W/NPQX	LED		1	
	C651	CK73GBB1C104K	C CAPACITOR	0.1uF 16V K	1	
	C652	CK73GBB1C104K	C CAPACITOR	0.1uF 16V K	1	
	C653	CK73GBB1C104K	C CAPACITOR	0.1uF 16V K	1	
	C654	CK73GBB1C104K	C CAPACITOR	0.1uF 16V K	1	
	C655	CK73GBB0J105K	C CAPACITOR	1uF 6.3V K	1	
	C656	CK73GBB1C104K	C CAPACITOR	0.1uF 16V K	1	
	C657	CK73GBB1C104K	C CAPACITOR	0.1uF 16V K	1	
	R651	RK73GB2A182J	MG RESISTOR	1.8kΩ 1/10W J	1	
	R652	RK73GB2A242J	MG RESISTOR	2.4kΩ 1/10W J	1	
	R653	RK73GB2A332J	MG RESISTOR	3.3kΩ 1/10W J	1	
	R654	RK73GB2A182J	MG RESISTOR	1.8kΩ 1/10W J	1	
	R655	RK73GB2A242J	MG RESISTOR	2.4kΩ 1/10W J	1	
	CN651	QGF0545F2-13X	FFC/FPC CONNE	FFC/FPC (1-13)	1	
	S651	S7A-0002-00	TACTILE PUSH SW		1	

	S652	S7A-0002-00	TACTILE PUSH SW		1	
	S653	S7A-0002-00	TACTILE PUSH SW		1	
	S654	S7A-0002-00	TACTILE PUSH SW		1	
	S655	S7A-0002-00	TACTILE PUSH SW		1	
	S656	S7A-0002-00	TACTILE PUSH SW		1	
	S657	S7A-0002-00	TACTILE PUSH SW		1	
	S659	NSW0342-001X	TACT SWITCH		1	

BT PWB ASSY (LVA11276-0xA) <L76>

	IC301	XC6213B332N-G	MOS IC		1	
	IC310	NJM4565E	BIPOLAR IC		1	
	C3003	CK73GBB1H103K	C CAPACITOR	0.01uF 50V K	1	
	C3004	NCB31HK-104X	C CAPACITOR	0.1uF 50V K	1	
	C3005	CK730AY1C106K	C CAPACITOR	10uF 16V K	1	
	C3006	NCB31CK-105X	C CAPACITOR	1uF 16V K	1	
	C3007	NCB31CK-105X	C CAPACITOR	1uF 16V K	1	
	C3051	CK730AU0J105K	C CAPACITOR	1uF 6.3V K	1	
	C3052	CK730AU0J105K	C CAPACITOR	1uF 6.3V K	1	
	C3101	NCB31CK-105X	C CAPACITOR	1uF 16V K	1	
	C3102	NCB31CK-105X	C CAPACITOR	1uF 16V K	1	
	C3103	CK73HBB1H331K	C CAPACITOR	330pF 50V K	1	
	C3104	CK73HBB1H221K	C CAPACITOR	220pF 50V K	1	
	C3105	CK73HBB1H221K	C CAPACITOR	220pF 50V K	1	
	C3106	NCB31CK-105X	C CAPACITOR	1uF 16V K	1	
	C3107	CK73GBB1H103K	C CAPACITOR	0.01uF 50V K	1	
	C3108	CK730AY1C106K	C CAPACITOR	10uF 16V K	1	
	C3201	NCB31CK-105X	C CAPACITOR	1uF 16V K	1	
	C3202	NCB31CK-105X	C CAPACITOR	1uF 16V K	1	
	C3203	CK73HBB1H331K	C CAPACITOR	330pF 50V K	1	

	C3204	CK73HBB1H221K	C CAPACITOR	220pF 50V K	1	
	C3205	CK73HBB1H221K	C CAPACITOR	220pF 50V K	1	
	C3206	NCB31CK-105X	C CAPACITOR	1uF 16V K	1	
	C3208	CK730AY1C106K	C CAPACITOR	10uF 16V K	1	
	R3000	RK73HB1J222J	MG RESISTOR	2.2kΩ 1/16W J	1	
	R3011	RK73HB1J000J	MG RESISTOR	0Ω 1/16W J	1	
	R3012	RK73HB1J000J	MG RESISTOR	0Ω 1/16W J	1	
	R3013	RK73HB1J000J	MG RESISTOR	0Ω 1/16W J	1	
	R3014	RK73HB1J000J	MG RESISTOR	0Ω 1/16W J	1	
	R3016	RK73HB1J472J	MG RESISTOR	4.7kΩ 1/16W J	1	
	R3018	RK73HB1J222J	MG RESISTOR	2.2kΩ 1/16W J	1	
	R3019	RK73HB1J472J	MG RESISTOR	4.7kΩ 1/16W J	1	
	R3021	RK73HB1J472J	MG RESISTOR	4.7kΩ 1/16W J	1	
	R3101	RK73HB1J153J	MG RESISTOR	15kΩ 1/16W J	1	
	R3102	RK73HB1J153J	MG RESISTOR	15kΩ 1/16W J	1	
	R3103	RK73HB1J153J	MG RESISTOR	15kΩ 1/16W J	1	
	R3104	RK73HB1J472J	MG RESISTOR	4.7kΩ 1/16W J	1	
	R3105	RK73HB1J472J	MG RESISTOR	4.7kΩ 1/16W J	1	
	R3106	RK73HB1J153J	MG RESISTOR	15kΩ 1/16W J	1	
	R3107	RK73HB1J103J	MG RESISTOR	10kΩ 1/16W J	1	

	R3108	RK73HB1J103J	MG RESISTOR	10kΩ 1/16W J	1	
	R3201	RK73HB1J153J	MG RESISTOR	15kΩ 1/16W J	1	
	R3202	RK73HB1J153J	MG RESISTOR	15kΩ 1/16W J	1	
	R3203	RK73HB1J153J	MG RESISTOR	15kΩ 1/16W J	1	
	R3204	RK73HB1J472J	MG RESISTOR	4.7kΩ 1/16W J	1	
	R3205	RK73HB1J472J	MG RESISTOR	4.7kΩ 1/16W J	1	
	R3206	RK73HB1J153J	MG RESISTOR	15kΩ 1/16W J	1	
	R3207	RK73HB1J103J	MG RESISTOR	10kΩ 1/16W J	1	
	R3208	RK73HB1J103J	MG RESISTOR	10kΩ 1/16W J	1	
	L3001	LR73Z0AD100M	CHIP INDUCTOR	10uH	1	
	A301	W0C-0101-10	RF MODULE		1	K1
	A301	W0C-0102-10	RF MODULE		1	K0
	CN301	QGA2001C1-02	W TO B CONNE	W-B (1-2)	1	
	CN311	QGF0534F7-15X	FFC/FPC CONNE	FFC/FPC (1-15)	1	

DVD MECHA PWB ASSY (LVA11172-07A) <L17>

	IC1	AN41250A-X	IC		1	
	IC2	M12L128168A6TG	SV-DRAM IC		1	
	IC3	WZZ-0024-00	PROGRAMMED IC		1	
	IC4	MN2DS0041MD	IC		1	
	IC5	BD12KA5FP-X	IC		1	
	Q1	2SK3019-X	MOS FET		1	
	Q2	2SK3019-X	MOS FET		1	
	Q3	LSCR523EBFS8	TRANSISTOR		1	
	Q4	2SB1709MG	TRANSISTOR		1	
	Q5	LSCR523EBFS8	TRANSISTOR		1	
	Q6	2SB1709MG	TRANSISTOR		1	
	Q11	LTA014TEB-X	DIGI TRANSISTOR		1	
	Q12	LTA014TEB-X	DIGI TRANSISTOR		1	
	D1	TAN1102W-22-X	IR LED		1	
	D4	TAN1102W-22-X	IR LED		1	

MODEL	MARK	MODEL	MARK
DDX9702S	K1	DDX9902S	K0

Safe	Symbol No.	Parts No.	Parts Name	Description	QTY	Local
C1		CK73HBB1E103K	C CAPACITOR	0.01uF 25V K	1	
C2		NCB20JK-106X	C CAPACITOR	10uF 6.3V K	1	
C6		NCJ20JM-226X-A	C CAPACITOR	22uF 6.3V M	1	
C7		CK73HBB1E103K	C CAPACITOR	0.01uF 25V K	1	
C8		CK73HBB1E103K	C CAPACITOR	0.01uF 25V K	1	
C10		NCJ30JK-475X-A	C CAPACITOR	4.7uF 6.3V K	1	
C12		NCB20JK-106X	C CAPACITOR	10uF 6.3V K	1	
C13		NCB20JK-106X	C CAPACITOR	10uF 6.3V K	1	
C14		CK73HBB1A104K	C CAPACITOR	0.1uF 10V K	1	
C16		CK73HBB1C333K	C CAPACITOR	0.033uF 16V K	1	
C17		CK73HBB1A104K	C CAPACITOR	0.1uF 10V K	1	
C18		CC73HCH1H120J	C CAPACITOR	12pF 50V J	1	
C19		CK73HBB1A104K	C CAPACITOR	0.1uF 10V K	1	
C20		CK73HBB1A104K	C CAPACITOR	0.1uF 10V K	1	
C21		CK73HBB1A104K	C CAPACITOR	0.1uF 10V K	1	
C22		CK73HBB1A104K	C CAPACITOR	0.1uF 10V K	1	
C23		CC73HCH1H120J	C CAPACITOR	12pF 50V J	1	
C24		NCJA0JK-105W-A	C CAPACITOR	1uF 6.3V K	1	
C25		NCJA0JK-105W-A	C CAPACITOR	1uF 6.3V K	1	
C26		CC73HCH1H102J	C CAPACITOR	1000pF 50V J	1	
C28		NCB20JK-106X	C CAPACITOR	10uF 6.3V K	1	
C29		NCB20JK-106X	C CAPACITOR	10uF 6.3V K	1	
C31		NCJ30JK-475X-A	C CAPACITOR	4.7uF 6.3V K	1	
C33		NCBA1HK-682W	C CAPACITOR	6800pF 50V K	1	
C34		NCBA1HK-682W	C CAPACITOR	6800pF 50V K	1	
C35		CC73HCH1H681J	C CAPACITOR	680pF 50V J	1	
C36		CC73HCH1H471J	C CAPACITOR	470pF 50V J	1	
C37		NCB20JK-106X	C CAPACITOR	10uF 6.3V K	1	
C38		NCB20JK-106X	C CAPACITOR	10uF 6.3V K	1	
C45		CK73HBB1A104K	C CAPACITOR	0.1uF 10V K	1	
C47		CK73HBB1A104K	C CAPACITOR	0.1uF 10V K	1	
C48		CK73HBB1H222K	C CAPACITOR	2200pF 50V K	1	
C49		CK73HBB1A104K	C CAPACITOR	0.1uF 10V K	1	
C50		CK73HBB1H222K	C CAPACITOR	2200pF 50V K	1	
C51		CK73HBB1H472K	C CAPACITOR	4700pF 50V K	1	
C52		CK73HBB1E103K	C CAPACITOR	0.01uF 25V K	1	
C53		CK73HBB1H222K	C CAPACITOR	2200pF 50V K	1	
C55		CK73HBB1A104K	C CAPACITOR	0.1uF 10V K	1	
C56		CK73HBB1H222K	C CAPACITOR	2200pF 50V K	1	
C57		CK73HBB1E103K	C CAPACITOR	0.01uF 25V K	1	
C58		CK73HBB1E103K	C CAPACITOR	0.01uF 25V K	1	
C59		CK73HBB1A104K	C CAPACITOR	0.1uF 10V K	1	
C60		CK73HBB1A104K	C CAPACITOR	0.1uF 10V K	1	
C61		CK73HBB1A104K	C CAPACITOR	0.1uF 10V K	1	
C62		CK73HBB1A104K	C CAPACITOR	0.1uF 10V K	1	
C63		CK73HBB1A104K	C CAPACITOR	0.1uF 10V K	1	
C64		CK73HBB1A104K	C CAPACITOR	0.1uF 10V K	1	
C65		CK73HBB1A104K	C CAPACITOR	0.1uF 10V K	1	
C66		CK73HBB1A104K	C CAPACITOR	0.1uF 10V K	1	
C67		CK73HBB1A104K	C CAPACITOR	0.1uF 10V K	1	
C68		CK73HBB1E103K	C CAPACITOR	0.01uF 25V K	1	
C70		NCJA0JK-105W-A	C CAPACITOR	1uF 6.3V K	1	
C71		CK73HBB1A104K	C CAPACITOR	0.1uF 10V K	1	
C74		CK73HBB1A104K	C CAPACITOR	0.1uF 10V K	1	
C75		CC73HCH1H101J	C CAPACITOR	100pF 50V J	1	
C76		NCJ20JM-226X-A	C CAPACITOR	22uF 6.3V M	1	
C77		CK73HBB1A104K	C CAPACITOR	0.1uF 10V K	1	
C78		NCJ30JK-475X-A	C CAPACITOR	4.7uF 6.3V K	1	
C79		CK73HBB1H222K	C CAPACITOR	2200pF 50V K	1	
C80		CK73HBB1H222K	C CAPACITOR	2200pF 50V K	1	
C81		NCJA0JK-105W-A	C CAPACITOR	1uF 6.3V K	1	
C82		NCJA0JK-105W-A	C CAPACITOR	1uF 6.3V K	1	
C84		NCB20JK-106X	C CAPACITOR	10uF 6.3V K	1	
C85		CK73HBB1A104K	C CAPACITOR	0.1uF 10V K	1	
C86		CK73HBB1A104K	C CAPACITOR	0.1uF 10V K	1	
C87		CK73HBB1A104K	C CAPACITOR	0.1uF 10V K	1	
C88		CK73HBB1A104K	C CAPACITOR	0.1uF 10V K	1	
C89		CK73HBB1A104K	C CAPACITOR	0.1uF 10V K	1	
C90		CK73HBB1A104K	C CAPACITOR	0.1uF 10V K	1	
C91		CK73HBB1A104K	C CAPACITOR	0.1uF 10V K	1	
C92		CK73HBB1A104K	C CAPACITOR	0.1uF 10V K	1	
C93		CK73HBB1A104K	C CAPACITOR	0.1uF 10V K	1	
C94		NCJ20JM-226X-A	C CAPACITOR	22uF 6.3V M	1	
C95		NCJ20JM-226X-A	C CAPACITOR	22uF 6.3V M	1	
C96		NCJ20JM-226X-A	C CAPACITOR	22uF 6.3V M	1	
C101		NCJ20JM-226X-A	C CAPACITOR	22uF 6.3V M	1	
C102		NCJ20JM-226X-A	C CAPACITOR	22uF 6.3V M	1	
C103		CK73HBB1H222K	C CAPACITOR	2200pF 50V K	1	
C104		CK73HBB1H222K	C CAPACITOR	2200pF 50V K	1	
C105		CC73HCH1H150J	C CAPACITOR	15pF 50V J	1	
R1		RK73GB2A561J	MG RESISTOR	560Ω 1/10W J	1	
R2		RK73HB1J271J	MG RESISTOR	270Ω 1/16W J	1	
R3		RK73HB1J301J	MG RESISTOR	300Ω 1/16W J	1	
R4		RK73GB2A561J	MG RESISTOR	560Ω 1/10W J	1	
R5		RK73HB1J163J	MG RESISTOR	16kΩ 1/16W J	1	
R6		RK73HB1J103J	MG RESISTOR	10kΩ 1/16W J	1	
R7		RK73HB1J103J	MG RESISTOR	10kΩ 1/16W J	1	
R8		RK73HB1J103J	MG RESISTOR	10kΩ 1/16W J	1	
R9		RK73HB1J333J	MG RESISTOR	33kΩ 1/16W J	1	
R10		RK73HB1J103J	MG RESISTOR	10kΩ 1/16W J	1	
R11		RK73HB1J103J	MG RESISTOR	10kΩ 1/16W J	1	
R12		RK73HB1J103J	MG RESISTOR	10kΩ 1/16W J	1	

MODEL	MARK	MODEL	MARK
DDX9702S	K1	DDX9902S	K0

Safe	Symbol No.	Parts No.	Parts Name	Description	QTY	Local
R13		RK73HB1J101J	MG RESISTOR	100Ω 1/16W J	1	
R14		RK73HB1J101J	MG RESISTOR	100Ω 1/16W J	1	
R15		RK73HB1J102J	MG RESISTOR	1kΩ 1/16W J	1	
R16		RK73HB1J102J	MG RESISTOR	1kΩ 1/16W J	1	
R17		RK73HB1J105J	MG RESISTOR	1MΩ 1/16W J	1	
R18		RK73HB1J303D	MG RESISTOR	30kΩ 1/16W D	1	
R19		RK73HB1J223J	MG RESISTOR	22kΩ 1/16W J	1	
R20		RK73HB1J471J	MG RESISTOR	470Ω 1/16W J	1	
R21		RK73HB1J100J	MG RESISTOR	10Ω 1/16W J	1	
R22		RK73HB1J560J	MG RESISTOR	56Ω 1/16W J	1	
R23		RK73HB1J2R2J	MG RESISTOR	2.2Ω 1/16W J	1	
R25		RK73HB1J471J	MG RESISTOR	470Ω 1/16W J	1	
R27		RK73HB1J471J	MG RESISTOR	470Ω 1/16W J	1	
R28		RK73HB1J100J	MG RESISTOR	10Ω 1/16W J	1	
R29		RK73HB1J560J	MG RESISTOR	56Ω 1/16W J	1	
R30		RK73HB1J2R2J	MG RESISTOR	2.2Ω 1/16W J	1	
R31		RK73PB2H270J	MG RESISTOR	27Ω 1/2W J	1	
R32		RK73HB1J203J	MG RESISTOR	20kΩ 1/16W J	1	
R33		RK73HB1J333J	MG RESISTOR	33kΩ 1/16W J	1	
R34		RK73HB1J471J	MG RESISTOR	470Ω 1/16W J	1	
R35		RK73PB2H270J	MG RESISTOR	27Ω 1/2W J	1	
R51		RK73HB1J223J	MG RESISTOR	22kΩ 1/16W J	1	
R52		RK73HB1J223J	MG RESISTOR	22kΩ 1/16W J	1	
R53		NR20098-R27X	MG RESISTOR	0.27Ω	1	
R54		RK73HB1J103J	MG RESISTOR	10kΩ 1/16W J	1	
R55		RK73HB1J101J	MG RESISTOR	100Ω 1/16W J	1	
R56		RK73HB1J103J	MG RESISTOR	10kΩ 1/16W J	1	
R57		RK73HB1J103J	MG RESISTOR	10kΩ 1/16W J	1	
R58		RK73HB1J103J	MG RESISTOR	10kΩ 1/16W J	1	
R59		RK73HB1J103J	MG RESISTOR	10kΩ 1/16W J	1	
R60		RK73HB1J821J	MG RESISTOR	820Ω 1/16W J	1	
R61		RK73HB1J242J	MG RESISTOR	2.4kΩ 1/16W J	1	
R62		RK73HB1J103J	MG RESISTOR	10kΩ 1/16W J	1	
R63		RK73HB1J332J	MG RESISTOR	3.3kΩ 1/16W J	1	
R64		RK73HB1J202J	MG RESISTOR	2kΩ 1/16W J	1	
R65		RK73HB1J102J	MG RESISTOR	1kΩ 1/16W J	1	
R66		RK73HB1J102J	MG RESISTOR	1kΩ 1/16W J	1	
R69		RK73HB1J101J	MG RESISTOR	100Ω 1/16W J	1	
R70		RK73HB1J102J	MG RESISTOR	1kΩ 1/16W J	1	
R71		RK73HB1J330J	MG RESISTOR	33Ω 1/16W J	1	
R73		RK73HB1J472J	MG RESISTOR	4.7kΩ 1/16W J	1	
R74		RK73HB1J4R7J	MG RESISTOR	4.7Ω 1/16W J	1	
R76		RK73HB1J472J	MG RESISTOR	4.7kΩ 1/16W J	1	
R77		RK73HB1J4R7J	MG RESISTOR	4.7Ω 1/16W J	1	
R78		RK73HB1J221J	MG RESISTOR	220Ω 1/16W J	1	
R79		RK73HB1J221J	MG RESISTOR	220Ω 1/16W J	1	
R80		RK73HB1J103J	MG RESISTOR	10kΩ 1/16W J	1	
R85		RK73HB1J820J	MG RESISTOR	82Ω 1/16W J	1	
R86		RK73HB1J102J	MG RESISTOR	1kΩ 1/16W J	1	
R92		RK73HB1J103J	MG RESISTOR	10kΩ 1/16W J	1	
R95		RK73HB1J470J	MG RESISTOR	47Ω 1/16W J	1	
R96		RK73HB1J103J	MG RESISTOR	10kΩ 1/16W J	1	
R105		RK73HB1J101J	MG RESISTOR	100Ω 1/16W J	1	
R106		RK73HB1J103J	MG RESISTOR	10kΩ 1/16W J	1	
R107		RK73HB1J221J	MG RESISTOR	220Ω 1/16W J	1	
R108		RK73HB1J221J	MG RESISTOR	220Ω 1/16W J	1	
R113		RK73HB1J470J	MG RESISTOR	47Ω 1/16W J	1	
CN1		QGF0534F7-26X	FFC/FPC CONNE	FFC/FPC (1-26)	1	
CN4		QGF0534F7-40X	FFC/FPC CONNE	FFC/FPC (1-40)	1	
CN5		QGF0534F7-18X	FFC/FPC CONNE	FFC/FPC (1-18)	1	
PH1		PS1192HB-22-X	OPT TRANSMITTER		1	
PH2		PS1192HB-22-X	OPT TRANSMITTER		1	
S1		NSW0351-001X	LEVER SWITCH		1	
TH1		NAD0055-103X	N THERMISTOR	10kΩ	1	
X1		NAX1135-001X	CRYSTAL		1	