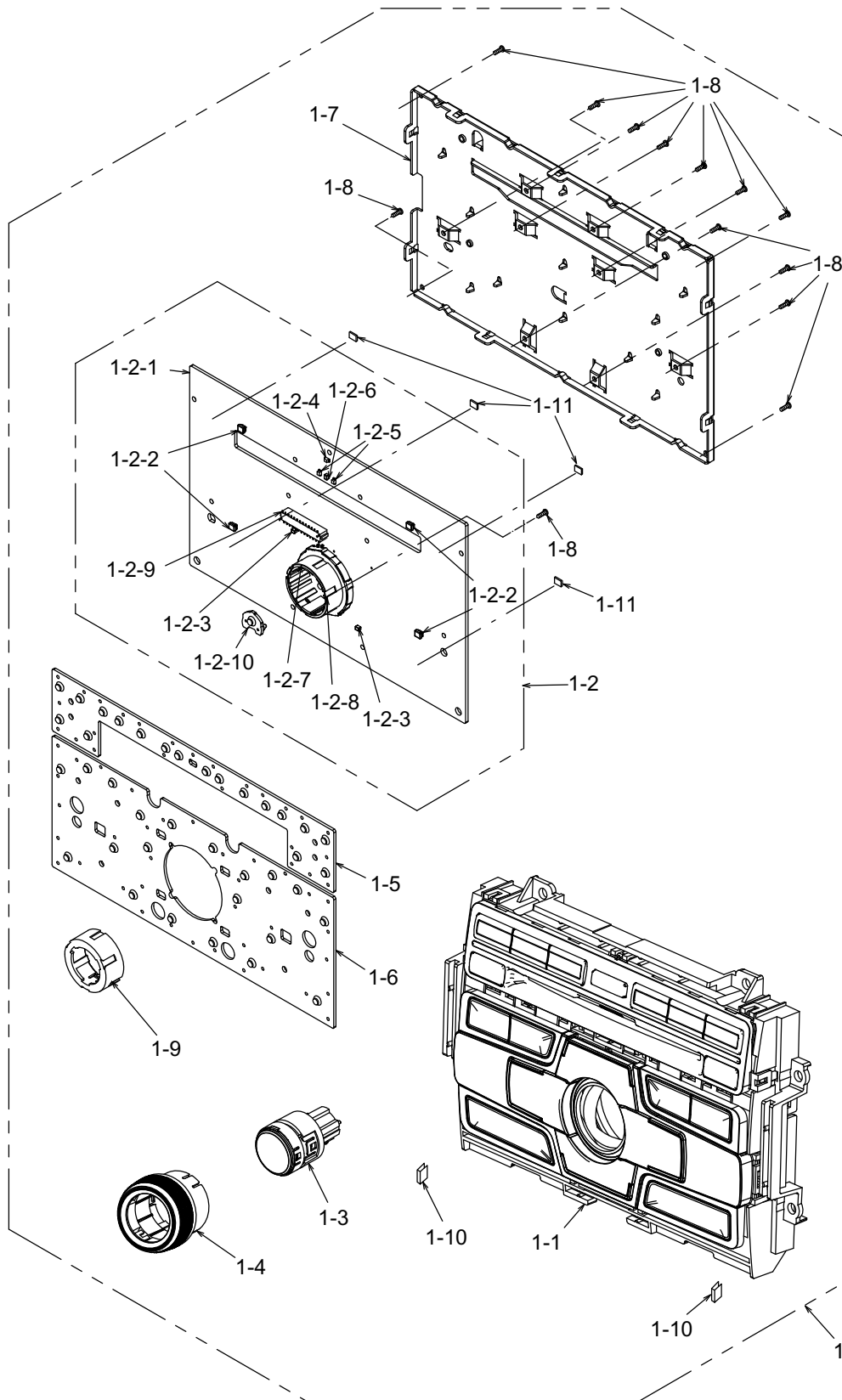
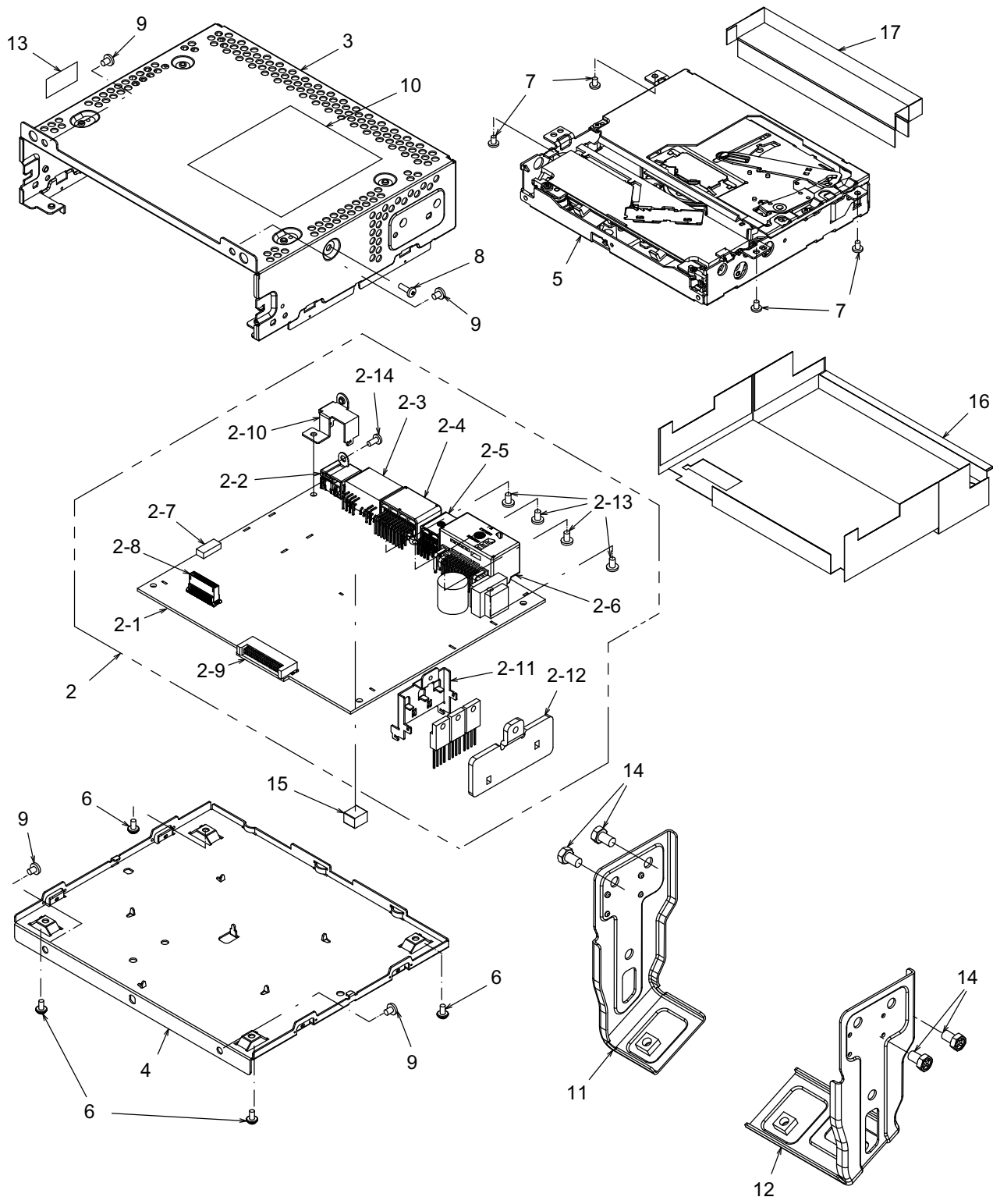


EXPLODED VIEW/PARTS LIST





NO.	PART NO.	DESCRIPTION	Q'TY	NO.	PART NO.	DESCRIPTION	Q'TY
1	-----	PANEL-ASSY (3586A0-45)	1	2-4	074-4017-20	OUTLET SOCKET(20pin)	1
1-1	940-8700-32	ESCUTCHEON-ASSY	1	2-5	074-4031-08	OUTLET SOCKET	1
1-2	-----	SW-PWB-ASSY (3312A7-77)	1	2-6	074-4026-24	OUTLET SOCKET(24pin)	1
1-2-1	-----	SWITCH PWB(371801-039)	1	2-7	076-0478-58	PLUG(8pin)	1
1-2-2	001-7110-94	DIODE	4	2-8	076-3028-40	PLUG(40pin)	1
1-2-3	001-7134-55	DIODE	2	2-9	076-3011-76	PLUG(26pin)	1
1-2-4	001-7115-92	DIODE	1	2-10	331-5070-00	ANT-HOLDER	1
1-2-5	001-7142-90	DIODE	2	2-11	331-5072-00	TR-HOLDER	1
1-2-6	001-7134-61	DIODE	1	2-12	313-2126-00	SUB HEAT SINK	1
1-2-7	001-7134-62	DIODE	1	2-13	778-3005-00	TAP SCREW	4
1-2-8	016-7006-02	VR W/SHAFT	1	2-14	714-2606-8B	MACHINE SCREW	1
1-2-9	074-3014-76	OUTLET SOCKET(26pin)	1	3	310-1956-01	UPPER CASE	1
1-2-10	345-6498-00	RUBBER SWITCH(C)	1	4	311-2025-00	LOWER CASE	1
1-3	948-4001-01	BUTTON ASSY	1	5	929-5033-80	CD-MECH-MODULE	1
1-4	947-0820-02	KNOB ASSY	1	6	716-0878-50	SPECIAL SCREW	4
1-5	345-6496-00	RUBBER SWITCH(A)	1	7	714-2604-8B	MACHINE SCREW	4
1-6	345-6497-01	RUBBER SWITCH(B)	1	8	714-2608-8B	MACHINE SCREW	1
1-7	331-5076-00	ES PLATE ASSY	1	9	714-3004-8B	MACHINE SCREW	4
1-8	716-0778-52	SPECIAL SCREW	13	10	276-0928-36	SETPLATE	1
1-9	335-9002-00	SPACER	1	11	300-8409-01	MTG-BRKT(L)	1
1-10	347-8895-00	CUSHION SHEET	2	12	300-8410-01	MTG-BRKT(R)	1
1-11	347-9093-00	SPACER	4	13	347-8899-00	SHADE	1
2	-----	MAIN-PWB-ASSY(3586A7-75)	1	14	782-5008-01	SPECIAL-H-BOLT	4
2-1	-----	MAIN PWB(371700-039)	1	15	345-6341-00	GASKET	1
2-2	092-2238-00	ANT-RECEPT(CE2)	1	16	347-8981-00	MECH CVR	1
2-3	074-1168-14	OUTLET SOCKET(14pin)	1	17	347-9021-01	MECH CVR	1

ELECTRICAL PARTS LIST

MAIN PWB(B1) section

REF No.	PART No.	DESCRIPTION	REF No.	PART No.	DESCRIPTION	REF No.	PART No.	DESCRIPTION
ANT101	092-2238-00	ANT-RECEPT	C251	046-1042-78	0.1uF K B	C446	045-2201-50	22pFJ CH
C109	166-1201-50	12pF CH	C252	042-1769-90	6.3V 220uF M	C447	045-1011-50	100pFJ CH
C112	045-2201-50	22pFJ CH	C253	046-1042-78	0.1uF K B	C448	045-1011-50	100pFJ CH
C113	046-1022-58	50V 1000pF	C254	043-0552-90	6.3V 47uF M	C454	042-1790-90	16V 10uF
C114	045-4796-50	4.7pFJ CH	C255	046-1042-78	0.1uF K B	C455	042-1790-90	16V 10uF
C115	046-1022-58	50V 1000pF	C258	168-1052-78	16V 1uF K	C456	042-1790-90	16V 10uF
C116	045-1501-50	15pFJ CH	C259	046-1042-78	0.1uF K B	C457	042-1790-90	16V 10uF
C120	045-3901-50	39pFJ CH	C260	046-1042-78	0.1uF K B	C459	043-0528-71	6.3V 3.3uF
C121	045-1011-50	100pFJ CH	C261	043-0552-90	6.3V 47uF M	C460	043-0528-71	6.3V 3.3uF
C122	045-1211-50	120pFJ CH	C262	046-1042-78	0.1uF K B	C462	045-2201-50	22pFJ CH
C123	046-3922-58	3900pF K B	C263	046-1042-78	0.1uF K B	C463	045-2201-50	22pFJ CH
C124	046-1022-58	50V 1000pF	C264	046-1042-78	0.1uF K B	C464	045-1011-50	100pFJ CH
C125	046-1042-78	0.1uF K B	C265	045-4711-50	470pFJ CH	C466	045-1011-50	100pFJ CH
C126	168-3342-58	0.33uF K	C266	046-1042-78	0.1uF K B	C467	045-2201-50	22pFJ CH
C127	046-1032-78	0.01uF K B	C268	046-1042-78	0.1uF K B	C468	045-2201-50	22pFJ CH
C128	046-1032-78	0.01uF K B	C269	046-3322-58	3300pF K B	C469	045-1011-50	100pFJ CH
C129	045-3096-50	3 +/-0.25pF CH	C270	046-3322-58	3300pF K B	C471	045-1011-50	100pFJ CH
C130	046-3322-58	3300pF K B	C271	046-3322-58	3300pF K B	C472	042-1790-90	16V 10uF
C131	046-2232-78	0.022uF K B	C272	046-3322-58	3300pF K B	C473	042-1790-90	16V 10uF
C132	046-1022-58	50V 1000pF	C273	046-3322-58	3300pF K B	C474	042-1790-90	16V 10uF
C133	046-2232-78	0.022uF K B	C275	042-0643-58	6.3V 330uF	C475	042-1790-90	16V 10uF
C134	165-4763-35	16V 47uF	C276	046-1042-78	0.1uF K B	C476	045-1011-50	100pFJ CH
C135	168-2242-58	0.22uF K	C282	046-1022-58	50V 1000pF	C501	168-2212-55	220pF K
C136	046-2232-78	0.022uF K B	C301	046-1042-78	0.1uF K B	C502	168-2212-55	220pF K
C137	046-2232-78	0.022uF K B	C303	165-4753-55	35V 4.7uF	C504	168-1022-55	1000pF K
C138	046-2232-78	0.022uF K B	C305	046-1042-78	0.1uF K B	C505	168-1042-38	50V 0.1uF K
C139	046-2232-78	0.022uF K B	C306	046-1032-78	0.01uF K B	C506	168-1022-55	1000pF K
C151	165-1063-35	16V 10uF	C307	046-1032-78	0.01uF K B	C511	046-1032-78	0.01uF K B
C154	168-3342-58	0.33uF K	C308	165-4753-55	35V 4.7uF	C516	045-1011-50	100pFJ CH
C201	043-0548-50	10V 2.2uF	C309	046-1042-78	0.1uF K B	C517	046-1042-78	0.1uF K B
C202	043-0548-50	10V 2.2uF	C310	042-1737-90	6.3V 1000uF M	C518	046-1042-78	0.1uF K B
C203	043-0548-50	10V 2.2uF	C311	045-6097-50	6 +/-0.5pF CH	C519	165-2263-15	6.3V 22uF
C204	043-0548-50	10V 2.2uF	C312	042-1737-90	6.3V 1000uF M	C520	043-8000-90	50V 0.1uF
C205	043-0548-50	10V 2.2uF	C313	045-1201-50	12pFJ CH	C521	165-1053-65	50V 1uF
C206	043-0548-50	10V 2.2uF	C314	046-6822-58	6800pF K B	C522	046-1022-58	50V 1000pF
C207	043-0548-50	10V 2.2uF	C315	046-1042-78	0.1uF K B	C523	168-2222-55	2200pF K
C208	043-0548-50	10V 2.2uF	C316	046-1032-78	0.01uF K B	C525	168-4722-55	4700pF K
C209	043-0548-50	10V 2.2uF	C317	046-1042-78	0.1uF K B	C529	168-2222-55	2200pF K
C210	043-0548-50	10V 2.2uF	C318	168-1032-55	0.01uF K	C530	046-1022-58	50V 1000pF
C211	165-4753-55	35V 4.7uF	C319	165-1063-35	16V 10uF	C531	168-2222-55	2200pF K
C212	165-4753-55	35V 4.7uF	C321	045-1011-50	100pFJ CH	C532	168-2222-55	2200pF K
C213	045-1011-50	100pFJ CH	C322	045-1011-50	100pFJ CH	C533	168-2222-55	2200pF K
C214	045-1011-50	100pFJ CH	C323	045-1011-50	100pFJ CH	C534	168-2222-55	2200pF K
C215	045-1011-50	100pFJ CH	C324	045-1211-50	120pFJ CH	C535	168-2222-55	2200pF K
C216	045-1011-50	100pFJ CH	C325	046-1032-78	0.01uF K B	C536	168-2222-55	2200pF K
C217	045-1011-50	100pFJ CH	C326	046-1032-78	0.01uF K B	C537	168-2222-55	2200pF K
C222	045-1011-50	100pFJ CH	C336	046-1032-78	0.01uF K B	C538	042-4427-00	16V 3300uF
C223	045-1011-50	100pFJ CH	C401	165-1073-35	16V 100uF	C539	043-8000-90	50V 0.1uF
C224	045-1011-50	100pFJ CH	C402	046-1042-78	0.1uF K B	C541	168-2222-55	2200pF K
C225	045-1011-50	100pFJ CH	C403	165-1073-35	16V 100uF	C546	166-1201-50	12pF CH
C226	045-1011-50	100pFJ CH	C408	046-1042-78	0.1uF K B	C547	168-2222-55	2200pF K
C227	046-1042-78	0.1uF K B	C412	042-1767-90	16V 470uF	C604	042-1769-90	6.3V 220uF M
C228	046-1042-78	0.1uF K B	C422	046-1042-78	0.1uF K B	C605	046-1042-78	0.1uF K B
C229	046-2232-78	0.022uF K B	C425	042-1767-90	16V 470uF	C607	046-1022-58	50V 1000pF
C230	046-2232-78	0.022uF K B	C429	042-1767-90	16V 470uF	C608	168-3342-58	0.33uF K
C231	046-2232-78	0.022uF K B	C430	043-0528-71	6.3V 3.3uF	C609	165-4763-15	6.3V 47uF
C232	046-2232-78	0.022uF K B	C431	045-2201-50	22pFJ CH	C610	046-1042-78	0.1uF K B
C233	046-1042-78	0.1uF K B	C432	045-1011-50	100pFJ CH	C611	046-1022-58	50V 1000pF
C234	046-1042-78	0.1uF K B	C433	045-2201-50	22pFJ CH	C612	168-3342-58	0.33uF K
C235	046-1042-78	0.1uF K B	C434	045-1011-50	100pFJ CH	C613	168-1042-38	50V 0.1uF K
C236	045-1007-50	10 +/-0.5pF CH	C435	042-1790-90	16V 10uF	C614	165-1063-35	16V 10uF
C238	046-1042-78	0.1uF K B	C436	042-1790-90	16V 10uF	C615	165-4763-15	6.3V 47uF
C239	045-1007-50	10 +/-0.5pF CH	C437	168-2222-55	2200pF K	C616	046-1042-78	0.1uF K B
C240	165-4753-55	35V 4.7uF	C438	168-2222-55	2200pF K	C617	046-1042-78	0.1uF K B
C242	165-2263-15	6.3V 22uF	C439	043-0528-71	6.3V 3.3uF	C619	165-4763-15	6.3V 47uF
C243	046-4732-78	0.047uF K B	C440	043-0528-71	6.3V 3.3uF	C620	046-1042-78	0.1uF K B
C245	042-1769-90	6.3V 220uF M	C441	045-2201-50	22pFJ CH	C621	165-4763-15	6.3V 47uF
C246	046-1042-78	0.1uF K B	C442	045-2201-50	22pFJ CH	C622	046-1042-78	0.1uF K B
C247	046-1042-78	0.1uF K B	C443	045-1011-50	100pFJ CH	C624	046-1042-78	0.1uF K B
C249	165-4753-55	35V 4.7uF	C444	045-1011-50	100pFJ CH	C625	168-1042-38	50V 0.1uF K
C250	046-1042-78	0.1uF K B	C445	045-2201-50	22pFJ CH	C626	165-1073-35	16V 100uF

REF No.	PART No.	DESCRIPTION	REF No.	PART No.	DESCRIPTION	REF No.	PART No.	DESCRIPTION
C627	045-1011-50	100pFJ CH	IC101	-----	NJM2886DL3-05-TE1	L221	010-3104-54	600 ohm/100MHz
C630	168-3342-58	0.33uF K			(thermal pad type)	L222	010-3104-54	600 ohm/100MHz
C631	165-1073-35	16V 100uF			(336890-051)	L301	010-3105-62	1k ohm/100MHz
C632	042-1769-90	6.3V 220uF M	IC102	-----	TEF7000	L302	010-3406-66	22uH J
C633	165-1073-35	16V 100uF			(thermal pad type)	L303	010-3105-62	1k ohm/100MHz
C634	046-1042-78	0.1uF K B			(402590-051)	L401	010-3104-54	600 ohm/100MHz
C635	046-1042-78	0.1uF K B	IC201	-----	SAF7741HV/N127	L402	010-3104-54	600 ohm/100MHz
C636	046-1042-78	0.1uF K B			(DSP)(PAD)	L503	010-3105-62	1k ohm/100MHz
C637	046-1042-78	0.1uF K B			(674710-051)	L504	010-3105-62	1k ohm/100MHz
C638	165-1073-35	16V 100uF	IC301	-----	BR93L86REV-W E2	L505	010-3105-62	1k ohm/100MHz
C641	168-1042-38	50V 0.1uF K			(E2P-EOM)	L508	010-3105-62	1k ohm/100MHz
C642	165-1053-65	50V 1uF			(Software should be	L601	010-3406-66	22uH J
C643	043-8000-90	50V 0.1uF			written on production)	L602	010-3104-54	600 ohm/100MHz
C644	165-4763-35	16V 47uF			(942390-051)	L701	010-3114-92	600ohm/100MHz
C645	045-1011-50	100pFJ CH	IC302	-----	uPD70F3367GJ(A)-G	L702	010-3114-92	600ohm/100MHz
C646	045-1011-50	100pFJ CH			AE-AX/JS	L703	010-3114-92	600ohm/100MHz
C718	165-1073-35	16V 100uF			(Software should be	L704	010-3114-92	600ohm/100MHz
C719	046-1042-78	0.1uF K B			written on production)	P301	076-0478-58	8P
CCT201	050-0140-51	1/32W 22 ohm x4J			(033640-052)	P302	076-3011-76	26P
CCT301	050-0140-57	1/32W 10k ohm x4J	IC303	051-5467-90	S-80929RNMCM-G95T	P701	076-3028-40	40P
CCT302	050-0140-58	1/32W 470 ohm x4J			2G	Q201	125-7005-90	PHK04P02T
D101	001-9013-90	BA891	IC304	051-5441-08	BD4828G-TR	Q301	192-4081-00	2SC4081
D103	001-0516-90	MA111	IC305	051-5811-90	L9637D	Q302	192-4081-00	2SC4081
D302	001-4301-32	HZU 5.6B2	IC401	051-3042-90	OPA2134UA	Q501	192-5810-00	2SC5810 TE12L
D303	001-4301-48	HZU 9.1B3	IC404	051-3026-90	NJM4580V	Q504	192-4081-00	2SC4081
D304	001-0516-90	MA111	IC405	051-3026-90	NJM4580V	Q505	192-2814-51	2SC2814-4/5-TB-E
D306	001-0535-90	MA729	IC407	051-3026-90	NJM4580V	Q506	192-4081-00	2SC4081
D307	001-0516-90	MA111	IC408	051-3026-90	NJM4580V	Q507	191-1197-50	2SB1197K Q,R
D308	001-9210-50	AVR-M1608C270MTA	IC409	051-3026-90	NJM4580V	Q508	190-2088-00	2SA2088-T106
		AD	IC501	051-6648-90	HA12240FP-EL	Q509	190-2088-00	2SA2088-T106
D309	001-9210-50	AVR-M1608C270MTA	IC503	051-6653-80	SN65HVD1040QDRQ	Q510	192-2814-51	2SC2814-4/5-TB-E
		AD			1	Q603	192-4081-00	2SC4081
D310	001-9210-50	AVR-M1608C270MTA	IC601	051-3396-90	NJM2386ADL3-33-TE	Q604	190-2071-00	2SA2071
		AD			1	Q609	192-4081-00	2SC4081
D311	001-9210-50	AVR-M1608C270MTA	IC602	051-3333-00	NJM2396F05	Q610	190-2071-00	2SA2071
		AD	IC603	051-3364-90	NJU7771F15	Q611	192-5810-00	2SC5810 TE12L
D312	001-9210-50	AVR-M1608C270MTA	IC604	051-3367-90	NJU7780U1-33-TE2	Q612	192-4081-00	2SC4081
		AD	IC605	051-3727-90	NJM2866DL-15(Te1)	Q613	190-2071-00	2SA2071
D313	001-9210-50	AVR-M1608C270MTA	IC606	051-3396-90	NJM2386ADL3-33-TE	Q614	125-2027-91	DTC114EUA
		AD			1	Q615	125-0021-91	DTA114EUA
D314	001-9210-50	AVR-M1608C270MTA	IC607	051-3585-90	BD3571HFP	Q616	192-5886-00	2SC5886
		AD	IC608	051-3366-00	NJM2396F08	Q617	192-4081-00	2SC4081
D501	001-9210-50	AVR-M1608C270MTA	IC609	051-3334-00	NJM2396F09	Q618	191-1197-50	2SB1197K Q,R
		AD	J401	074-4031-08	OUTLET SOCKET	Q619	125-2027-91	DTC114EUA
D502	001-4312-69	02DZ18Y TPH3-F	J501	074-4017-20	20P	Q620	125-0021-91	DTA114EUA
D503	001-9210-50	AVR-M1608C270MTA	J502	074-1168-14	14P	Q623	192-4081-00	2SC4081
		AD	J503	074-4026-24	24P	Q624	191-1197-50	2SB1197K Q,R
D504	001-9210-50	AVR-M1608C270MTA	L107	010-3062-54	290nH	R107	033-4741-15	1/16W 470k ohm J
		AD	L108	010-3406-56	3.3uH J	R108	033-4741-15	1/16W 470k ohm J
D505	001-9210-50	AVR-M1608C270MTA	L109	010-3062-56	0.5uH	R109	033-3311-15	1/16W 330 ohm J
		AD	L110	010-3062-53	0.215uH	R110	033-1811-15	1/16W 180 ohm J
D506	001-4312-32	02DZ5.6Y TPH3-F	L111	010-3439-51	1.8uH	R111	033-5601-15	1/16W 56 ohm J
D507	001-4312-32	02DZ5.6Y TPH3-F	L112	010-4100-50	0.215uH	R115	033-4731-15	1/16W 47k ohm J
D513	001-4315-51	MMBZ27VCL	L113	010-2290-52	330uH	R117	033-2231-15	1/16W 22k ohm J
D514	001-4315-51	MMBZ27VCL	L114	010-2290-52	330uH	R118	033-3921-15	1/16W 3.9k ohm J
D515	001-0516-90	MA111	L115	010-3105-62	1k ohm/100MHz	R121	033-0000-05	1/16W 0 ohm
D518	001-2403-90	M1F60	L201	010-3104-54	600 ohm/100MHz	R122	033-0000-05	1/16W 0 ohm
D519	001-2403-90	M1F60	L202	010-3104-54	600 ohm/100MHz	R123	033-0000-05	1/16W 0 ohm
D522	001-9210-50	AVR-M1608C270MTA	L203	010-3104-54	600 ohm/100MHz	R124	033-0000-05	1/16W 0 ohm
		AD	L204	010-3104-54	600 ohm/100MHz	R125	033-0000-05	1/16W 0 ohm
D524	001-0516-90	MA111	L205	010-3104-54	600 ohm/100MHz	R128	033-0000-05	1/16W 0 ohm
D525	001-0592-00	RM4Z	L206	010-3104-54	600 ohm/100MHz	R129	033-0000-05	1/16W 0 ohm
D530	001-9210-50	AVR-M1608C270MTA	L207	010-3104-54	600 ohm/100MHz	R130	119-0000-05	1/10W 0 ohm JW
		AD	L208	010-3104-54	600 ohm/100MHz	R131	033-1201-15	1/16W 12 ohm
D601	001-2403-90	M1F60	L209	010-3104-54	600 ohm/100MHz	R132	119-0000-05	1/10W 0 ohm JW
D602	001-2403-90	M1F60	L210	010-3104-54	600 ohm/100MHz	R133	119-0000-05	1/10W 0 ohm JW
D605	001-2403-90	M1F60	L213	010-3104-54	600 ohm/100MHz	R201	119-3331-15	1/10W 33k ohm
D606	001-2403-90	M1F60	L214	010-3104-54	600 ohm/100MHz	R202	119-3331-15	1/10W 33k ohm
D608	001-2403-90	M1F60	L215	010-3104-54	600 ohm/100MHz	R203	119-3331-15	1/10W 33k ohm
D609	001-2403-90	M1F60	L216	010-3104-54	600 ohm/100MHz	R206	033-1031-15	1/16W 10k ohm J
D611	001-4310-00	RLZ TE-11 9.1B	L217	010-3105-62	1k ohm/100MHz	R207	032-0140-54	1/10W 22k ohm F
D618	001-2403-90	M1F60	L218	010-3105-62	1k ohm/100MHz	R208	032-0140-54	1/10W 22k ohm F
			L219	010-3104-54	600 ohm/100MHz	R209	032-0140-54	1/10W 22k ohm F
			L220	010-3104-54	600 ohm/100MHz	R210	032-0140-54	1/10W 22k ohm F

REF No.	PART No.	DESCRIPTION	REF No.	PART No.	DESCRIPTION	REF No.	PART No.	DESCRIPTION
R211	032-0140-54	1/10W 22k ohm F	R327	032-0140-88	1/10W 100k ohm F	R441	032-0144-55	1/8W 100 ohm J
R212	032-0140-54	1/10W 22k ohm F	R328	032-0140-82	1/10W 150k ohm F	R442	033-0000-05	1/16W 0 ohm
R213	032-0140-54	1/10W 22k ohm F	R329	033-4731-15	1/16W 47k ohm J	R443	033-0000-05	1/16W 0 ohm
R214	032-0140-54	1/10W 22k ohm F	R330	033-3331-15	1/16W 33k ohm J	R444	033-4731-15	1/16W 47k ohm J
R215	032-0140-54	1/10W 22k ohm F	R331	033-0000-05	1/16W 0 ohm	R445	033-1031-15	1/16W 10k ohm J
R216	032-0140-54	1/10W 22k ohm F	R332	033-0000-05	1/16W 0 ohm	R446	033-1031-15	1/16W 10k ohm J
R217	119-0000-05	1/10W 0 ohm JW	R333	033-0000-05	1/16W 0 ohm	R447	033-4731-15	1/16W 47k ohm J
R218	119-0000-05	1/10W 0 ohm JW	R334	033-3331-15	1/16W 33k ohm J	R448	033-1031-15	1/16W 10k ohm J
R219	033-1011-15	1/16W 100 ohm J	R335	033-3331-15	1/16W 33k ohm J	R449	033-1031-15	1/16W 10k ohm J
R220	033-1031-15	1/16W 10k ohm J	R339	033-1031-15	1/16W 10k ohm J	R450	033-1031-15	1/16W 10k ohm J
R221	032-0140-52	1/10W 33k ohm F	R345	033-0000-05	1/16W 0 ohm	R451	033-1031-15	1/16W 10k ohm J
R222	032-0140-52	1/10W 33k ohm F	R346	033-3331-15	1/16W 33k ohm J	R453	033-1031-15	1/16W 10k ohm J
R223	033-1031-15	1/16W 10k ohm J	R347	033-1031-15	1/16W 10k ohm J	R454	033-1031-15	1/16W 10k ohm J
R224	032-0140-52	1/10W 33k ohm F	R349	033-3331-15	1/16W 33k ohm J	R455	117-0000-05	1/8W 0 ohm JW
R225	032-0140-52	1/10W 33k ohm F	R350	033-3331-15	1/16W 33k ohm J	R456	117-0000-05	1/8W 0 ohm JW
R226	119-2201-15	1/10W 22 ohm	R351	033-3331-15	1/16W 33k ohm J	R457	117-0000-05	1/8W 0 ohm JW
R227	119-0000-05	1/10W 0 ohm JW	R352	033-4721-15	1/16W 4.7k ohm J	R458	117-0000-05	1/8W 0 ohm JW
R228	119-0000-05	1/10W 0 ohm JW	R353	033-4721-15	1/16W 4.7k ohm J	R459	032-0144-57	1/8W 100k ohm J
R229	032-0140-50	1/10W 10k ohm F	R355	033-1531-15	1/16W 15k ohm J	R460	032-0144-55	1/8W 100 ohm J
R230	032-0140-50	1/10W 10k ohm F	R356	119-1041-15	1/10W 100k ohm	R461	032-0144-57	1/8W 100k ohm J
R231	032-0140-50	1/10W 10k ohm F	R357	033-3931-15	1/16W 39k ohm J	R462	032-0144-55	1/8W 100 ohm J
R232	032-0140-50	1/10W 10k ohm F	R359	033-4721-15	1/16W 4.7k ohm J	R463	032-0144-57	1/8W 100k ohm J
R233	032-0140-50	1/10W 10k ohm F	R360	033-4721-15	1/16W 4.7k ohm J	R464	032-0144-55	1/8W 100 ohm J
R234	032-0140-50	1/10W 10k ohm F	R361	033-4721-15	1/16W 4.7k ohm J	R465	032-0144-57	1/8W 100k ohm J
R235	119-0000-05	1/10W 0 ohm JW	R362	033-4721-15	1/16W 4.7k ohm J	R466	032-0144-55	1/8W 100 ohm J
R236	119-0000-05	1/10W 0 ohm JW	R364	119-1041-15	1/10W 100k ohm	R467	033-0000-05	1/16W 0 ohm
R237	033-1011-15	1/16W 100 ohm J	R365	033-3331-15	1/16W 33k ohm J	R468	033-0000-05	1/16W 0 ohm
R238	033-1011-15	1/16W 100 ohm J	R366	032-0140-88	1/10W 100k ohm F	R469	033-4731-15	1/16W 47k ohm J
R239	033-1031-15	1/16W 10k ohm J	R370	033-1021-15	1/16W 1k ohm J	R470	033-1031-15	1/16W 10k ohm J
R240	033-1011-15	1/16W 100 ohm J	R371	033-1021-15	1/16W 1k ohm J	R471	033-1031-15	1/16W 10k ohm J
R241	119-0000-05	1/10W 0 ohm JW	R372	033-1021-15	1/16W 1k ohm J	R472	033-4731-15	1/16W 47k ohm J
R242	119-0000-05	1/10W 0 ohm JW	R373	033-6831-15	1/16W 68k ohm J	R473	033-1031-15	1/16W 10k ohm J
R243	119-1001-15	1/10W 10 ohm	R374	033-6831-15	1/16W 68k ohm J	R474	033-1031-15	1/16W 10k ohm J
R244	033-1021-15	1/16W 1k ohm J	R375	033-3331-15	1/16W 33k ohm J	R475	033-1031-15	1/16W 10k ohm J
R245	033-1021-15	1/16W 1k ohm J	R376	033-3331-15	1/16W 33k ohm J	R477	033-1031-15	1/16W 10k ohm J
R246	033-1021-15	1/16W 1k ohm J	R377	033-3331-15	1/16W 33k ohm J	R481	033-1031-15	1/16W 10k ohm J
R247	033-1021-15	1/16W 1k ohm J	R378	033-3331-15	1/16W 33k ohm J	R483	033-1031-15	1/16W 10k ohm J
R248	033-1021-15	1/16W 1k ohm J	R379	033-1031-15	1/16W 10k ohm J	R485	032-0144-57	1/8W 100k ohm J
R249	033-1011-15	1/16W 100 ohm J	R380	033-1031-15	1/16W 10k ohm J	R486	032-0144-55	1/8W 100 ohm J
R250	033-1011-15	1/16W 100 ohm J	R382	033-4721-15	1/16W 4.7k ohm J	R487	032-0144-57	1/8W 100k ohm J
R251	119-0000-05	1/10W 0 ohm JW	R383	033-1031-15	1/16W 10k ohm J	R488	032-0144-55	1/8W 100 ohm J
R252	119-0000-05	1/10W 0 ohm JW	R384	033-1031-15	1/16W 10k ohm J	R489	032-0144-57	1/8W 100k ohm J
R253	119-1001-15	1/10W 10 ohm	R385	033-1011-15	1/16W 100 ohm J	R490	032-0144-55	1/8W 100 ohm J
R301	033-3331-15	1/16W 33k ohm J	R386	033-1011-15	1/16W 100 ohm J	R491	032-0144-57	1/8W 100k ohm J
R302	033-1031-15	1/16W 10k ohm J	R387	033-4711-15	1/16W 470 ohm J	R492	032-0144-55	1/8W 100 ohm J
R304	033-3331-15	1/16W 33k ohm J	R388	033-4711-15	1/16W 470 ohm J	R497	033-0000-05	1/16W 0 ohm
R305	033-3331-15	1/16W 33k ohm J	R389	033-1031-15	1/16W 10k ohm J	R498	116-0000-05	1/4W 0 ohm JW
R306	033-3331-15	1/16W 33k ohm J	R390	033-1011-15	1/16W 100 ohm J	R501	116-1211-15	1/4W 120 ohm
R307	033-3331-15	1/16W 33k ohm J	R391	033-1011-15	1/16W 100 ohm J	R502	033-1031-15	1/16W 10k ohm J
R308	033-4731-15	1/16W 47k ohm J	R393	033-1031-15	1/16W 10k ohm J	R503	033-3321-15	1/16W 3.3k ohm J
R309	033-3331-15	1/16W 33k ohm J	R394	033-1031-15	1/16W 10k ohm J	R505	116-6801-15	1/4W 68 ohm
R310	033-1041-15	1/16W 100k ohm J	R399	033-3331-15	1/16W 33k ohm J	R506	116-1011-15	1/4W 100 ohm
R3101	033-1021-15	1/16W 1k ohm J	R4001	033-0000-05	1/16W 0 ohm	R507	116-1011-15	1/4W 100 ohm
R3102	033-1021-15	1/16W 1k ohm J	R4002	033-0000-05	1/16W 0 ohm	R514	033-4721-15	1/16W 4.7k ohm J
R3103	033-1021-15	1/16W 1k ohm J	R4003	033-0000-05	1/16W 0 ohm	R516	033-4721-15	1/16W 4.7k ohm J
R3104	033-1021-15	1/16W 1k ohm J	R4004	033-0000-05	1/16W 0 ohm	R519	033-1031-15	1/16W 10k ohm J
R3105	033-1021-15	1/16W 1k ohm J	R4005	033-0000-05	1/16W 0 ohm	R523	119-0000-05	1/10W 0 ohm JW
R3106	033-1021-15	1/16W 1k ohm J	R401	033-0000-05	1/16W 0 ohm	R524	119-0000-05	1/10W 0 ohm JW
R3107	033-1011-15	1/16W 100 ohm J	R402	033-0000-05	1/16W 0 ohm	R527	033-4721-15	1/16W 4.7k ohm J
R3108	033-1011-15	1/16W 100 ohm J	R403	033-0000-05	1/16W 0 ohm	R528	033-3931-15	1/16W 39k ohm J
R311	033-1031-15	1/16W 10k ohm J	R404	033-0000-05	1/16W 0 ohm	R533	033-1531-15	1/16W 15k ohm J
R312	033-6831-15	1/16W 68k ohm J	R405	119-1021-15	1/10W 1k ohm	R534	033-1021-15	1/16W 1k ohm J
R313	033-6831-15	1/16W 68k ohm J	R406	119-8211-15	1/10W 820 ohm	R535	033-1011-15	1/16W 100 ohm J
R314	033-1031-15	1/16W 10k ohm J	R430	119-1021-15	1/10W 1k ohm	R537	116-5621-15	1/4W 5.6k ohm
R315	033-4731-15	1/16W 47k ohm J	R431	119-8211-15	1/10W 820 ohm	R538	119-1021-15	1/10W 1k ohm
R316	033-1231-15	1/16W 12k ohm J	R432	033-0000-05	1/16W 0 ohm	R539	116-4721-15	1/4W 4.7k ohm
R317	033-6821-15	1/16W 6.8k ohm J	R433	033-4731-15	1/16W 47k ohm J	R540	116-1011-15	1/4W 100 ohm
R318	033-0000-05	1/16W 0 ohm	R434	033-1031-15	1/16W 10k ohm J	R541	119-8221-15	1/10W 8.2k ohm
R319	033-5621-15	1/16W 5.6k ohm J	R435	033-1031-15	1/16W 10k ohm J	R542	119-4721-15	1/10W 4.7k ohm
R320	033-1021-15	1/16W 1k ohm J	R436	033-1031-15	1/16W 10k ohm J	R544	116-1021-15	1/4W 1k ohm
R321	033-3331-15	1/16W 33k ohm J	R437	033-1031-15	1/16W 10k ohm J	R545	116-2221-15	1/4W 2.2k ohm
R324	033-3331-15	1/16W 33k ohm J	R438	032-0144-57	1/8W 100k ohm J	R546	033-4721-15	1/16W 4.7k ohm J
R325	033-3331-15	1/16W 33k ohm J	R439	032-0144-55	1/8W 100 ohm J	R547	033-4721-15	1/16W 4.7k ohm J
R326	033-3331-15	1/16W 33k ohm J	R440	032-0144-57	1/8W 100k ohm J	R548	033-1031-15	1/16W 10k ohm J

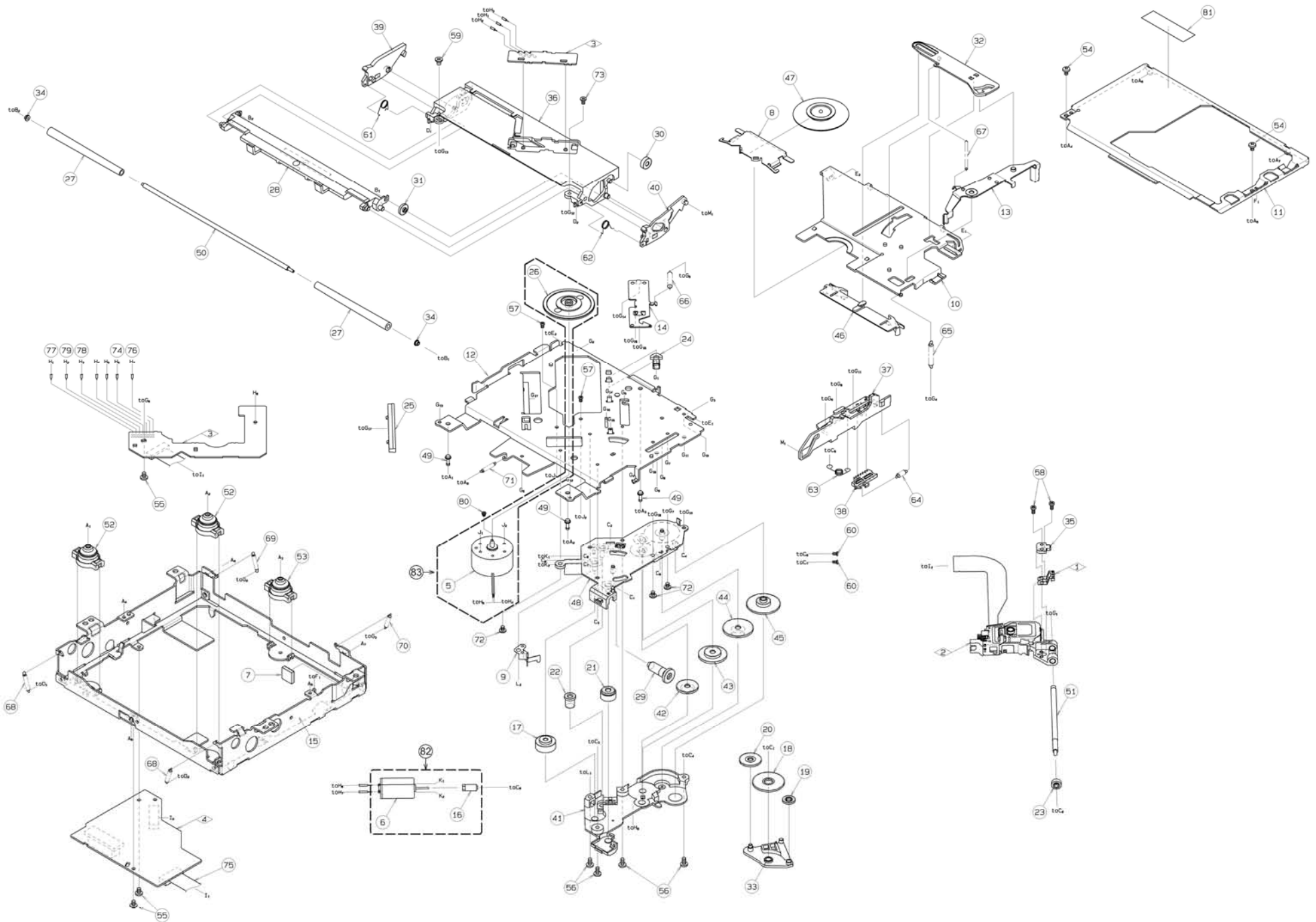
REF No.	PART No.	DESCRIPTION	REF No.	PART No.	DESCRIPTION	REF No.	PART No.	DESCRIPTION
R549	033-1031-15	1/16W 10k ohm J	R624	116-2221-15	1/4W 2.2k ohm	R701	033-0000-05	1/16W 0 ohm
R550	033-4721-15	1/16W 4.7k ohm J	R625	033-4731-15	1/16W 47k ohm J	R702	033-0000-05	1/16W 0 ohm
R551	033-4721-15	1/16W 4.7k ohm J	R626	033-1031-15	1/16W 10k ohm J	R703	033-1021-15	1/16W 1k ohm J
R552	033-1031-15	1/16W 10k ohm J	R627	116-2221-15	1/4W 2.2k ohm	R704	033-1021-15	1/16W 1k ohm J
R553	033-1031-15	1/16W 10k ohm J	R628	033-1031-15	1/16W 10k ohm J	R705	033-1021-15	1/16W 1k ohm J
R554	033-1031-15	1/16W 10k ohm J	R629	033-3321-15	1/16W 3.3k ohm J	R706	033-1021-15	1/16W 1k ohm J
R558	119-0000-05	1/10W 0 ohm JW	R630	119-1021-15	1/10W 1k ohm	R707	033-1021-15	1/16W 1k ohm J
R559	119-0000-05	1/10W 0 ohm JW	R631	033-1021-15	1/16W 1k ohm J	R708	033-0000-05	1/16W 0 ohm
R560	119-0000-05	1/10W 0 ohm JW	R632	033-1031-15	1/16W 10k ohm J	R709	033-1021-15	1/16W 1k ohm J
R561	119-0000-05	1/10W 0 ohm JW	R633	033-1031-15	1/16W 10k ohm J	R710	033-1021-15	1/16W 1k ohm J
R603	116-2221-15	1/4W 2.2k ohm	R635	033-3321-15	1/16W 3.3k ohm J	R711	033-0000-05	1/16W 0 ohm
R605	033-1031-15	1/16W 10k ohm J	R637	033-3331-15	1/16W 33k ohm J	R712	033-1021-15	1/16W 1k ohm J
R606	116-2221-15	1/4W 2.2k ohm	R642	033-1021-15	1/16W 1k ohm J	R713	033-1021-15	1/16W 1k ohm J
R607	033-1031-15	1/16W 10k ohm J	R643	033-1031-15	1/16W 10k ohm J	T501	009-0670-80	180uH
R610	033-3321-15	1/16W 3.3k ohm J	R644	033-1031-15	1/16W 10k ohm J	TC301	004-1589-51	10pF
R612	116-2221-15	1/4W 2.2k ohm	R645	033-3321-15	1/16W 3.3k ohm J	TH601	002-0318-21	THERMISTOR
R614	033-1031-15	1/16W 10k ohm J	R648	033-4731-15	1/16W 47k ohm J	TH602	002-0318-21	THERMISTOR
R615	116-2221-15	1/4W 2.2k ohm	R651	033-4731-15	1/16W 47k ohm J	TH603	002-0318-21	THERMISTOR
R616	033-1031-15	1/16W 10k ohm J	R652	033-4731-15	1/16W 47k ohm J	X201	061-3537-90	41.6MHz
R618	033-3321-15	1/16W 3.3k ohm J	R653	032-0231-52	1W 33 ohm	X301	061-3574-90	3.981312MHz
R619	033-4731-15	1/16W 47k ohm J	R654	032-0231-52	1W 33 ohm	PWB	039-3717-00	PWB(WITHOUT COMPONENT)
R621	033-3321-15	1/16W 3.3k ohm J	R658	033-4731-15	1/16W 47k ohm J			
R622	033-4721-15	1/16W 4.7k ohm J	R659	119-0000-05	1/10W 0 ohm JW			

SW PWB(B2) section

REF No.	PART No.	DESCRIPTION	REF No.	PART No.	DESCRIPTION	REF No.	PART No.	DESCRIPTION
C801	168-1022-55	1000pF K	D828	001-0516-90	MA111	R825	119-3321-15	1/10W 3.3k ohm
C802	168-1042-78	16V 0.1uF K	D829	001-0516-90	MA111	R853	116-5601-15	1/4W 56 ohm
C805	166-1011-50	100pF CH	D830	001-0516-90	MA111	R854	119-1021-15	1/10W 1k ohm
C806	166-1011-50	100pF CH	D831	001-0516-90	MA111	R855	119-1021-15	1/10W 1k ohm
C807	166-1011-50	100pF CH	D832	001-0516-90	MA111	R856	119-1021-15	1/10W 1k ohm
C809	166-1011-50	100pF CH	D833	001-0516-90	MA111	R857	119-0000-05	1/10W 0 ohm JW
C810	166-1007-50	10pF CH	D834	001-0516-90	MA111	R858	119-0000-05	1/10W 0 ohm JW
C811	166-1007-50	10pF CH	D835	001-0516-90	MA111	R859	119-0000-05	1/10W 0 ohm JW
C812	166-1007-50	10pF CH	D836	001-0516-90	MA111	R860	119-0000-05	1/10W 0 ohm JW
D803	001-7134-61	NHSB046A-HC14-TK MLP2	D839	001-0516-90	MA111	R861	119-1021-15	1/10W 1k ohm
D804	001-7142-90	SMLZ13EDT(A)	IC801	051-6642-08	LC75700T	R862	119-1021-15	1/10W 1k ohm
D806	001-7110-94	NESB064-EC5-TKML P3LP	J801	074-3014-76	26P	R863	119-1021-15	1/10W 1k ohm
D808	001-7110-94	NESB064-EC5-TKML P3LP	L801	010-3407-66	22uH J	R864	119-0000-05	1/10W 0 ohm JW
D810	001-7134-55	NHSB046A-HC14-TK MLP2	Q801	192-4081-00	2SC4081	R865	119-0000-05	1/10W 0 ohm JW
D811	001-7134-55	NHSB046A-HC14-TK MLP2	Q802	192-4081-00	2SC4081	R866	119-1011-15	1/10W 100 ohm
D813	001-7110-94	NESB064-EC5-TKML P3LP	Q804	192-4081-00	2SC4081	R867	119-1011-15	1/10W 100 ohm
D814	001-7110-94	NESB064-EC5-TKML P3LP	R802	119-1521-15	1/10W 1.5k ohm	R868	119-1011-15	1/10W 100 ohm
D815	001-7134-62	NHSB046A-HC14-TK MLP5	R803	119-1821-15	1/10W 1.8k ohm	R869	119-1011-15	1/10W 100 ohm
D819	001-7115-92	VUG1111C	R804	119-1031-15	1/10W 10k ohm	R870	119-1011-15	1/10W 100 ohm
D820	001-7142-90	SMLZ13EDT(A)	R805	119-3931-15	1/10W 39k ohm	R871	119-3911-15	1/10W 390 ohm
D821	001-0516-90	MA111	R806	116-5601-15	1/4W 56 ohm	R872	119-1011-15	1/10W 100 ohm
D822	001-0516-90	MA111	R807	119-1021-15	1/10W 1k ohm	R873	119-1011-15	1/10W 100 ohm
D823	001-0516-90	MA111	R808	119-6811-15	1/10W 680 ohm	R874	119-1011-15	1/10W 100 ohm
D824	001-0516-90	MA111	R809	119-8211-15	1/10W 820 ohm	R875	119-1011-15	1/10W 100 ohm
D825	001-0516-90	MA111	R810	119-6811-15	1/10W 680 ohm	R876	119-1031-15	1/10W 10k ohm
D826	001-0516-90	MA111	R811	119-8211-15	1/10W 820 ohm	R877	119-1031-15	1/10W 10k ohm
D827	001-0516-90	MA111	R812	119-6811-15	1/10W 680 ohm	R878	119-2221-15	1/10W 2.2k ohm
			R813	119-5111-15	1/10W 510 ohm	R879	119-2231-15	1/10W 22k ohm
			R816	119-5111-15	1/10W 510 ohm	R880	119-2221-15	1/10W 2.2k ohm
			R817	119-5111-15	1/10W 510 ohm	R881	119-2231-15	1/10W 22k ohm
			R818	119-5111-15	1/10W 510 ohm	S801	016-7006-02	VR W/SHAFT
			R819	119-5111-15	1/10W 510 ohm	PWB	039-3718-01	PWB(WITHOUT COMPONENT)
			R820	119-3021-15	1/10W 3k ohm			
			R821	119-3021-15	1/10W 3k ohm			
			R824	119-3321-15	1/10W 3.3k ohm			

EXPLODED VIEW / PARTS LIST

NO.	PART NO.	DESCRIPTION	QTY	NO.	PART NO.	DESCRIPTION	QTY
1	966-1722-21	SH-RACK-ASSY	1	43	621-1749-20	POWER GEAR B	1
2	969-0075-31	PICKUP-ASSY	1	44	621-1750-20	POWER GEAR C	1
3	-----	SENSOR-PWB-ASSY(955010AI)	1	45	621-1751-20	POWER GEAR D	1
4	-----	MAIN-PWB-ASSY(975033BI)	1	46	621-1752-20	DISC STOPPER	1
5	-----	DC-MOTOR(SPINDELE)	1	47	621-1753-20	CLAMPER RING	1
6	-----	DC-MOTOR(SLED)	1	48	621-1754-20	GEAR BASE	1
7	345-5476-20	CUSHION RUBBER	1	49	622-1570-21	DAMPER PIN	3
8	620-1023-23	CLAMPER PLATE	1	50	622-1571-21	ROLLER SHAFT	1
9	620-1026-21	SPRING PLATE	1	51	624-3059-00	LEAD SCREW	1
10	620-1596-23	CLAMPER LINK	1	52	629-0086-20	DAMPER F	2
11	620-1862-20	UPPER CHASSIS	1	53	629-0087-20	DAMPER R	1
12	620-1867-20	DRIVE PLATE	1	54	714-2003-8B	MACHIN SCREW	2
13	620-1752-20	SENSOR ARM	1	55	716-1507-01	SCREW	3
14	620-1753-20	ID-LOCK PLATE	1	56	716-1670-01	SPECIAL SCREW	4
15	620-1894-24	LOWER CHASSIS	1	57	716-1733-01	SCREW	2
16	-----	MOTOR GEAR(SLED)	1	58	716-3469-01	SPECIAL SCREW	2
17	621-0608-21	SECOND GEAR	1	59	716-3473-01	SPECIAL SCREW	1
18	621-0609-21	BASE GEAR	1	60	716-3551-00	SPECIAL SCREW	2
19	621-0610-21	IDLE GEAR A	1	61	750-6797-20	ROLLER SPRING L	1
20	621-0611-21	IDLE GEAR B	1	62	750-6798-20	ROLLER SPRING R	1
21	621-0612-22	ROLLER GEAR A	1	63	750-7865-20	SHIFT SPRING	1
22	621-0620-20	THREAD GEAR A	1	64	750-7866-20	RACK SPRING	1
23	621-0621-20	THREAD GEAR B	1	65	750-7867-20	CLAMPER SPRING	1
24	621-0623-24	LS-HOLDER	1	66	750-7868-20	ID-LOCK SPRING	1
25	621-0624-22	GUIDE RAIL	1	67	750-7869-20	SENSOR SPRING	1
26	-----	TURN TABLE(SPINDELE)	1	68	750-7870-20	DR-SPRING F	2
27	621-0711-21	LOADING ROLLER	2	69	750-7871-20	DR-SPRING RA	1
28	621-0718-21	ROLLER GUIDE	1	70	750-7872-20	DR-SPRING RB	1
29	621-0719-20	ROLLER GEAR	1	71	750-7873-20	DR-SPRING C	1
30	621-0720-20	ROLLER GEAR C	1	72	780-2025-00	SCREW	3
31	621-0721-20	ROLLER GEAR D	1	73	781-1730-00	SCREW	1
32	621-0728-20	STOPPER LINK	1	74	803-4906-60	VINYL-COAT-WIRE	1
33	621-1719-21	IDLE CASE	1	75	816-2624-55	FLAT WIRE	1
34	621-1726-21	ROLLER SLEEVE	2	76	816-2590-00	SPECIAL LEAD	1
35	621-1729-21	SH-BASE	1	77	816-2591-00	SPECIAL LEAD	1
36	621-1742-20	UPPER GUIDE	1	78	816-2592-00	SPECIAL LEAD	1
37	621-1743-20	SHIFT LEVER	1	79	816-2593-00	SPECIAL LEAD	1
38	621-1744-20	RACK	1	80	716-3635-00	SPECIAL SCREW	1
39	621-1745-20	LOCK ARM L	1	81	293-8575-00	MECH LABEL	1
40	621-1746-20	LOCK ARM R	1	82	SMA-183-200	SLED MOTOR ASSY	1
41	621-1747-20	GEAR COVER	1	83	SMA-200-100	SPINDLE MOTOR ASSY	1
42	621-1748-20	POWER GEAR A	1				



ELECTRICAL PARTS LIST

SENS PWB(B1) section

REF No.	PART No.	DESCRIPTION	REF No.	PART No.	DESCRIPTION	REF No.	PART No.	DESCRIPTION
D1	001-7058-90	DIODE	S2	013-7413-50	DETECTOR SWITCH(SPVG12)	J1	074-2215-60	10P
D2	001-7058-90	DIODE	Q1	060-4015-91	PHOTO-TR	PWB	039-2675-20	PWB (WITHOUT COMPONENT)
S1	013-7414-50	DETECTOR SWITCH(SPVG22)	Q2	060-4015-91	PHOTO-TR			

MAIN PWB(B2) section

REF No.	PART No.	DESCRIPTION	REF No.	PART No.	DESCRIPTION	REF No.	PART No.	DESCRIPTION
C3	168-1052-78	16V 1uF K	C47	166-1011-50	100pF CH	R13	033-3341-15	1/16W 330k ohm J
C6	168-1052-78	16V 1uF K	C48	165-4763-15	6.3V 47uF	R15	033-4731-15	1/16W 47k ohm J
C7	042-0560-85	6.3V 100uF	C49	168-1042-78	16V 0.1uF K	R16	033-3331-15	1/16W 33k ohm J
C8	168-1052-78	16V 1uF K	C50	045-1201-50	12pFJ CH	R17	119-0000-05	1/10W 0 ohm JW
C10	046-1042-78	16V 0.1uF	C51	045-1201-50	12pFJ CH	R18	033-1051-15	1/16W 1M ohm J
C11	168-1042-78	16V 0.1uF K	C71	166-6801-50	68pF CH	R19	033-2221-15	1/16W 2.2k ohm J
C12	166-6801-50	68pF CH	C72	166-6801-50	68pF CH	R20	033-1011-15	1/16W 100 ohm J
C14	046-4722-58	4700pF K B	C73	166-6801-50	68pF CH	R22	119-0000-05	1/10W 0 ohm JW
C17	165-1073-35	16V 100uF	C74	166-6801-50	68pF CH	R24	119-0000-05	1/10W 0 ohm JW
C18	168-1042-78	16V 0.1uF K	C75	166-6801-50	68pF CH	R27	033-0000-05	1/16W 0 ohm
C19	046-1042-78	16V 0.1uF	C76	166-6801-50	68pF CH	R28	033-0000-05	1/16W 0 ohm
C20	046-1532-78	0.015uF K B	C77	166-6801-50	68pF CH	R29	033-0000-05	1/16W 0 ohm
C21	046-1042-78	16V 0.1uF	C78	166-6801-50	68pF CH	R30	033-0000-05	1/16W 0 ohm
C22	168-1042-78	16V 0.1uF K	ET1	073-0792-90	TERMINAL	R31	033-0000-05	1/16W 0 ohm
C23	046-1522-58	1500pF K B	ET2	073-0792-90	TERMINAL	R32	033-0000-05	1/16W 0 ohm
C24	046-1042-78	16V 0.1uF	IC1	051-6751-00	TC94A93MFG-201	R33	033-0000-05	1/16W 0 ohm
C25	046-2222-58	2200pF K B	IC2	051-6101-90	BD8226EFV	R34	033-0000-05	1/16W 0 ohm
C27	168-1042-78	16V 0.1uF K	J1	074-2215-65	15P	R35	033-0000-05	1/16W 0 ohm
C28	043-0559-90	6.3V 22uF	J2	074-2215-60	10P	R36	033-0000-05	1/16W 0 ohm
C29	046-1032-78	16V 0.01uF	J3	074-3032-40	40P	R37	033-0000-05	1/16W 0 ohm
C30	046-4712-58	470pF K B	L1	010-3105-69	80 ohm/100MHz	R38	033-0000-05	1/16W 0 ohm
C31	046-4712-58	470pF K B	L2	010-3105-69	80 ohm/100MHz	R39	033-0000-05	1/16W 0 ohm
C32	046-3332-78	0.033uF K B	L3	010-3105-69	80 ohm/100MHz	R40	033-1041-15	1/16W 100k ohm J
C33	168-1532-55	0.015uF K	L4	010-3105-69	80 ohm/100MHz	R41	033-1011-15	1/16W 100 ohm J
C34	168-1042-78	16V 0.1uF K	Q1	190-2060-00	2SA2060	R42	033-1011-15	1/16W 100 ohm J
C35	166-6801-50	68pF CH	R1	033-2211-15	1/16W 220 ohm J	R44	033-0000-05	1/16W 0 ohm
C36	046-6822-58	6800pF K B	R2	117-6811-15	1/10W 680 ohm	R45	033-4721-15	1/16W 4.7k ohm J
C37	045-4701-50	47pF CH	R3	117-1001-15	1/8W 10 ohm	R46	033-4721-15	1/16W 4.7k ohm J
C38	168-1042-78	16V 0.1uF K	R4	033-1831-15	1/16W 18k ohm J	R47	033-4721-15	1/16W 4.7k ohm J
C39	046-1042-78	16V 0.1uF	R5	033-1231-15	1/16W 12k ohm J	R48	033-4721-15	1/16W 4.7k ohm J
C40	168-1042-78	16V 0.1uF K	R6	033-1541-15	1/16W 150k ohm J	VR1	001-9210-50	AVR- M1608C270MTAAD
C41	046-5622-58	5600pF K B	R7	033-1031-15	1/16W 10k ohm J			
C42	168-1042-78	16V 0.1uF K	R8	033-0000-05	1/16W 0 ohm	X1	061-3572-90	16.92MHZ
C43	046-4732-78	16V 0.047uF	R9	033-2211-15	1/16W 220 ohm J	PWB	039-3723-00	PWB(WITHOUT COMPONENTS)
C44	046-4732-78	16V 0.047uF	R10	033-0000-05	1/16W 0 ohm			
C45	168-1042-78	16V 0.1uF K	R11	033-2231-15	1/16W 22k ohm J			
C46	043-0570-90	16V 2.2uF K	R12	033-4731-15	1/16W 47k ohm J			