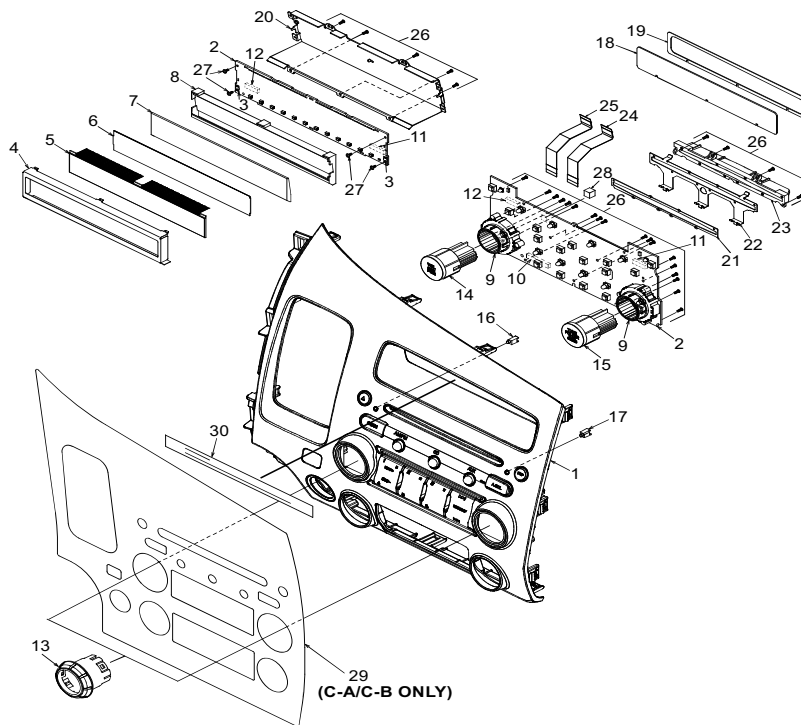


# EXPLODED VIEW / PARTS LIST

## Escutcheon section



Note) Some parts depend on each model. The model name is specified in the discription.

3129CA: PH-3129C-A, 3129CB: PH-3129C-B, 3129CC: PH-3129C-C.

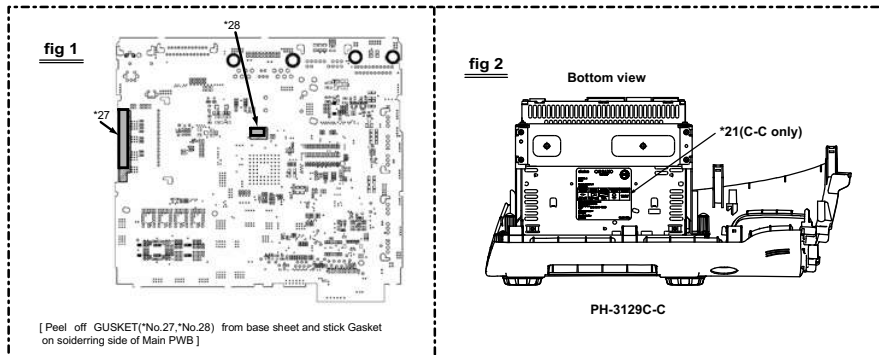
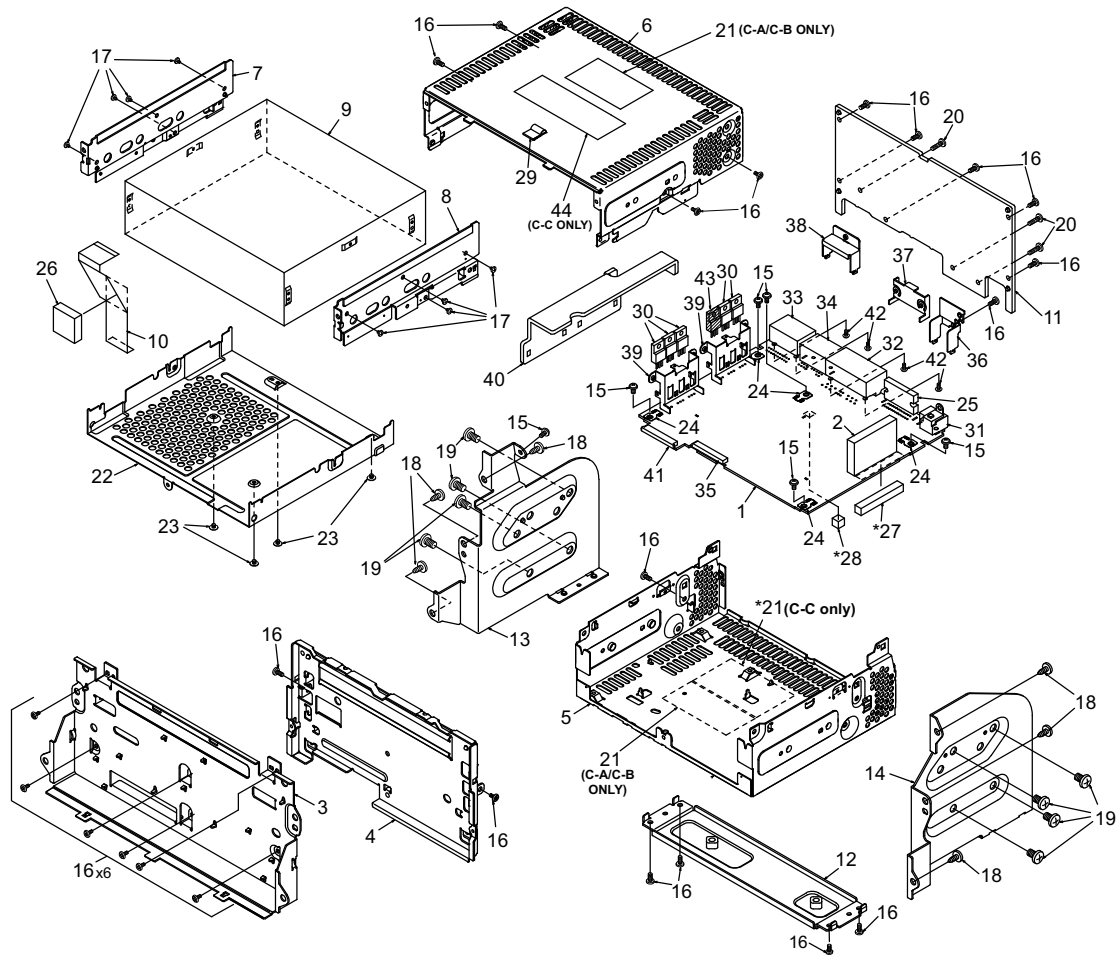
NO.	PART NO.	DESCRIPTION	Q'TY	NO.	PART NO.	DESCRIPTION	Q'TY
1	940-8233-02 940-8233-12 940-8152-34	ESCUTCHEON-ASSY (3129CA) ESCUTCHEON-ASSY (3129CB) ESCUTCHEON-ASSY (3129CC)	1	16	335-7596-00	INDICATOR-L	1
2	-----	Switch PWB	1	17	335-7597-00 335-7597-10	INDICATOR-R (3129CA/CB) INDICATOR-R (3129CC)	1
3	073-0786-90	TERMINAL	2	18	373-1078-00	DIAL-CVR	1
4	331-4067-01	LCD COVER	1	19	345-5588-00	CUSSION SHEET(3129CA/CC)	1
5	379-1440-43 379-1380-43	LCD(INDICATOR)(3129CA/CC) LCD(INDICATOR)(3129CB)	1	20	331-4063-01	LCD PLATE	1
6	335-7636-20	COLOR FILTER	1	21	346-0179-00	LEATHER SHEET	1
7	335-7601-00	LCD ILLUMI	1	22	331-4146-00	SHIELD PLATE	1
8	335-7602-00	ILLUMI HOLDER	1	23	335-7631-02	DISC GUIDE	1
9	016-7003-00	ROTARY ENODER	2	24	816-4014-51	FLAT WIRE(14P)	1
10	074-3014-74	OUTLET SOCKET(24P)	1	25	816-4013-51	FLAT WIRE(12P)	1
11	074-1158-64	OUTLET SOCKET(14P)	2	26	716-0778-51	SCREW(M2x6)	27
12	074-1158-62	OUTLET SOCKET(12P)	2	27	716-1670-01	SCREW(M2x4)	4
13	380-5645-00	KNOB-ASSY	2	28	345-5805-01	GASKET	1
14	382-7545-80	BUTTON-ASSY-L	1	29	347-7841-51	PROTECTOR (3129CA/CB)	1
15	382-7546-80	BUTTON-ASSY-R	1	30	290-8589-50	CAUTION LABEL(insert a disc..)	1

## Main section

NO.	PART NO.	DESCRIPTION	Q'TY	NO.	PART NO.	DESCRIPTION	Q'TY
1	-----	Main PWB	1	11	313-1955-00	HEAT SINK	1
2	880-2091H	TUNER PACK	1	12	300-8072-00	MTG-BRKT	1
3	331-4089-01	ES PLATE	1	13	300-8064-10	MTG-BRKT (L)	1
4	331-4090-01	FRONT PLATE	1	14	300-8065-10	MTG-BRKT (R)	1
5	311-1914-10	LOWER CASE	1	15	716-0878-50	SCREW (M2.6x5)	6
6	310-1823-20	UPPER CASE	1	16	714-2606-8B	MACHINE SCREW (M2.6x6)	23
7	331-4091-10	6CD BRKT (L)	1	17	716-3552-00	SCREW (M2.3x2.5)	8
8	331-4092-10	6CD BRKT (R)	1	18	716-3559-00	SCREW (M4.5x12)	6
9	929-0375-81	CD-CHANG-MODULE	1	19	714-5008-8B	MACHINE SCREW (M5.0x8)	8
10	816-4018-50	FLAT WIRE	1				

NO.	PART NO.	DESCRIPTION	Q'TY
20	714-2610-89	MACHINE SCREW (M2.6x10)	3
21	286-6685-80 286-6685-81 276-0423-01	SETPLATE (3129CA) SETPLATE (3129CB) SETPLATE (3129CC)	1
22	331-4151-01	MECH-CVR	1
23	716-1850-01	SCREW (M2.0x2)	4
24	073-0762-90	TERMINAL	5
25	051-2042-00	IC (TA8275HQ)	1
26	345-5938-00	CUSHION RUBBER	1
27	345-5805-03	GASKET (40mm)	1
28	345-5805-01	GASKET (5mm)	1
29	345-5898-00	GASKET	1
30	103-2394-00	TRANSISTOR (2SD2394)	5
31	092-2209-00	ANT-RECEPT	1

NO.	PART NO.	DESCRIPTION	Q'TY
32	074-4016-17	OUTLET SOCKET (17P)	1
33	074-4017-20	OUTLET SOCKET (20P)	1
34	074-1168-14	OUTLET SOCKET (GA-NET)	1
35	074-1237-69	OUTLET SOCKET (19P)	1
36	331-4065-00	ANT HOLDER	1
37	331-3459-00	IC HOLDER	1
38	331-3769-00	OUTLET HOLDER	1
39	331-4066-00	TR HOLDER	2
40	313-1965-01	SUB HEAT SINK	1
41	076-3011-74	PLUG (24P)	1
42	778-3005-00	TAP SCREW (M3x5)	4
43	051-3340-00	IC (E-LD1085P)	1
44	293-8662-01	BAR CODE LABEL (3129CC)	1



# ELECTRICAL PARTS LIST

## Switch PWB section(B1)

Note) Some parts depend on each model. The model name is specified in the discription.

C-A: PH-3129C-A, C-B: PH-3129C-B, C-C: PH-3129C-C.

REF No.	PART No.	DESCRIPTION	REF No.	PART No.	DESCRIPTION	REF No.	PART No.	DESCRIPTION
C101	168-4732-78	0.047uF K	D206	001-0516-90	MA111	R107	116-1811-15	1/4W 180 ohm (C-B)
C102	168-4732-78	0.047uF K	D207	001-0516-90	MA111	R108	116-2711-15	1/4W 270 ohm (C-A/C-C)
C103	168-4732-78	0.047uF K	D208	001-0516-90	MA111	R108	116-1811-15	1/4W 180 ohm (C-B)
C104	166-6811-50	680pF	D209	001-0516-90	MA111	R109	116-2711-15	1/4W 270 ohm (C-A/C-C)
C105	168-4732-78	0.047uF K	D210	001-0516-90	MA111	R109	116-1811-15	1/4W 180 ohm (C-B)
C106	168-4732-78	0.047uF K	D211	001-0516-90	MA111	R110	116-2711-15	1/4W 270 ohm (C-A/C-C)
C107	168-4732-78	0.047uF K	D212	001-0516-90	MA111	R110	116-1811-15	1/4W 180 ohm (C-B)
C108	166-6811-50	680pF	D213	001-0516-90	MA111	R112	119-4721-15	1/10W 4.7k ohm
C109	166-2201-50	22pF CH	D214	001-0516-90	MA111	R113	119-4721-15	1/10W 4.7k ohm
C110	166-2201-50	22pF CH	D215	001-0516-90	MA111	R114	119-4721-15	1/10W 4.7k ohm
C111	043-0554-90	25V 10uF	D216	001-0516-90	MA111	R116	032-0140-89	1/10W 47k ohm F
C121	166-2201-50	22pF CH	D222	001-0516-90	MA111	R121	119-4721-15	1/10W 4.7k ohm
C122	166-2201-50	22pF CH	IC201	051-6037-00	LC75884W	R122	119-4721-15	1/10W 4.7k ohm
D101	001-7100-90	NESB017-EE2-KLP7 *17.5 (C-A/C-C)	IC202	051-6037-00	LC75884W	R123	119-4721-15	1/10W 4.7k ohm
D101	001-7106-90	VFV1107B (C-B)	IC203	051-7222-18	TC7S08FUTE85L	R201	119-1521-15	1/10W 1.5k ohm
D102	001-7100-90	NESB017-EE2-KLP7 *17.5 (C-A/C-C)	J201	074-3014-74	24P(C-C)	R202	119-2221-15	1/10W 2.2k ohm
D102	001-7106-90	VFV1107B (C-B)	J202	074-1158-62	12P	R203	119-1021-15	1/10W 1k ohm (C-A/C-B)
D103	001-7100-90	NESB017-EE2-KLP7 *17.5 (C-A/C-C)	J203	074-1158-64	14P	R204	119-2221-15	1/10W 2.2k ohm (C-A/C-B)
D103	001-7106-90	VFV1107B (C-B)	J204	074-1158-64	14P	R205	119-2221-15	1/10W 2.2k ohm
D104	001-7100-90	NESB017-EE2-KLP7 *17.5 (C-A/C-C)	J205	074-1158-62	12P	R207	119-4721-15	1/10W 4.7k ohm
D104	001-7106-90	VFV1107B (C-B)	J206	074-3014-74	24P(C-A/C-B)	R208	119-0000-05	1/10W 0 ohm JW
D105	001-7100-90	NESB017-EE2-KLP7 *17.5 (C-A/C-C)	LCD101	379-1440-43	LCD(INDICATOR) (C-A/C-C)	R209	119-1521-15	1/10W 1.5k ohm
D105	001-7106-90	VFV1107B (C-B)	LCD101	379-1380-43	LCD(INDICATOR) (C-B)	S101	013-6206-50	SKPMANE010
D106	001-7100-90	NESB017-EE2-KLP7 *17.5 (C-A/C-C)	PL101	017-0464-50	8V 70mA BLU	S102	013-6201-52	TACT SWITCH
D106	001-7106-90	VFV1107B (C-B)	PL102	017-0464-50	8V 70mA BLU	S103	013-6201-52	TACT SWITCH
D107	001-7100-90	NESB017-EE2-KLP7 *17.5 (C-A/C-C)	PL103	017-0464-50	8V 70mA BLU	S104	013-6201-52	TACT SWITCH
D107	001-7106-90	VFV1107B (C-B)	PL104	017-0464-50	8V 70mA BLU	S105	013-6201-52	TACT SWITCH
D108	001-7100-90	NESB017-EE2-KLP7 *17.5 (C-A/C-C)	PL105	017-0464-50	8V 70mA BLU	S106	013-6206-50	SKPMANE010
D108	001-7106-90	VFV1107B (C-B)	PL106	017-0464-50	8V 70mA BLU	S107	013-6206-50	SKPMANE010
D109	001-7100-90	NESB017-EE2-KLP7 *17.5 (C-A/C-C)	PL107	017-0464-50	8V 70mA BLU	S108	013-6206-50	SKPMANE010
D109	001-7106-90	VFV1107B (C-B)	PL108	017-0464-50	8V 70mA BLU	S109	013-6201-52	TACT SWITCH
D110	001-7100-90	NESB017-EE2-KLP7 *17.5 (C-A/C-C)	PL109	017-0464-50	8V 70mA BLU	S110	013-6207-50	SKPMAQE010
D110	001-7106-90	VFV1107B (C-B)	PL110	017-0464-50	8V 70mA BLU	S111	013-6201-52	TACT SWITCH
D111	001-7100-90	NESB017-EE2-KLP7 *17.5 (C-A/C-C)	PL111	017-7003-00	NEB017-EE2 (C-A/C-B)	S112	013-6201-52	TACT SWITCH
D111	001-7106-90	VFV1107B (C-B)	PL111	017-0460-01	8V 70mA BLU (C-C)	S113	013-6201-52	TACT SWITCH
D112	001-7100-90	NESB017-EE2-KLP7 *17.5 (C-A/C-C)	PL112	017-7003-00	NEB017-EE2 (C-A/C-B)	S114	013-6201-52	TACT SWITCH
D112	001-7106-90	VFV1107B (C-B)	PL112	017-0460-01	8V 70mA BLU (C-C)	S115	013-6201-52	TACT SWITCH
D118	001-7063-95	RBR1102W (C-A/C-B)	Q201	125-2027-91	DTC114EUA	S116	013-6207-50	SKPMAQE010
D119	001-7071-95	FRMG1211C-TR	Q202	125-2027-91	DTC114EUA	S117	013-6201-52	TACT SWITCH
D201	001-0529-36	MA8062H (C-A/C-B)	Q203	125-2027-91	DTC114EUA	S118	016-7003-00	ROTARY-SW
D202	001-0516-90	MA111	Q204	125-2027-91	DTC114EUA	S119	016-7003-00	ROTARY-SW
D203	001-0516-90	MA111	R104	032-0140-89	1/10W 47k ohm F	TM101	073-0786-90	TERMINAL
D204	001-0516-90	MA111	R105	116-2711-15	1/4W 270 ohm (C-A/C-C)	TM102	073-0786-90	TERMINAL
D205	001-0516-90	MA111	R105	116-1811-15	1/4W 180 ohm (C-B)	PWB	039-2861-00	PWB(WITHOUT COMPONENTS) (C-A/C-C)
			R106	116-2711-15	1/4W 270 ohm (C-A/C-C)	PWB	039-3044-00	PWB(WITHOUT COMPONENTS) (C-B)
			R106	116-1811-15	1/4W 180 ohm (C-B)			
			R107	116-2711-15	1/4W 270 ohm (C-A/C-C)			

## Main PWB section(B2)

REF No.	PART No.	DESCRIPTION	REF No.	PART No.	DESCRIPTION	REF No.	PART No.	DESCRIPTION
ANT101	092-2209-00	ANTENNA RECEPT	C446	168-1042-78	16V 0.1uF K	C562	178-1042-78	0.1uF
BL101	880-2091H	BUS TUNER	C447	168-3332-78	0.033uF K	C563	178-1042-78	0.1uF
C101	166-1511-50	150pF CH	C448	178-1052-78	1uF	C564	163-4763-35	16V 47uF
C102	166-2201-50	22pF CH	C449	168-2222-55	2200pF K	C596	166-5611-50	560pF CH
C103	168-1022-55	1000pF K	C450	168-2222-55	2200pF K	C597	166-5611-50	560pF CH
C104	163-1073-35	16V 100uF	C451	168-2222-55	2200pF K	C598	166-5611-50	560pF CH
C105	168-1022-55	1000pF K	C452	168-2222-55	2200pF K	C599	166-5611-50	560pF CH
C106	163-1073-35	16V 100uF	C453	168-2232-55	0.022uF K	C627	043-0499-51	0.1uF
C107	168-1022-55	1000pF K	C454	168-4712-55	470pF K	C701	178-1052-78	1uF
C108	168-1022-55	1000pF K	C458	168-1042-78	16V 0.1uF K	C702	168-1032-55	0.01uF K
C109	168-1022-55	1000pF K	C459	168-1042-78	16V 0.1uF K	C703	168-1022-55	1000pF K
C110	168-1022-55	1000pF K	C460	168-2232-55	0.022uF K	C704	168-1042-78	16V 0.1uF K
C111	168-1022-55	1000pF K	C461	163-2263-15	6.3V 22uF	C705	163-4753-55	35V 4.7uF
C112	163-1063-35	16V 10uF	C462	168-1042-78	16V 0.1uF K	C706	168-1022-55	1000pF K
C113	163-4763-35	16V 47uF	C463	042-1678-00	16V 470uF	C707	168-1022-55	1000pF K
C301	178-1022-78	1000pF	C464	168-1042-78	16V 0.1uF K	C708	168-1042-78	16V 0.1uF K
C302	178-1022-78	1000pF	C465	163-2273-25	10V 220uF	C709	042-0643-52	6.3V 1000uF
C303	168-1032-55	0.01uF K	C466	168-1042-78	16V 0.1uF K	C710	163-4753-55	35V 4.7uF
C305	166-1011-50	100pF CH	C467	043-0554-90	25V 10uF	C711	166-1801-50	18pF CH
C309	166-1011-50	100pF CH	C472	163-2263-15	6.3V 22uF	C712	166-1801-50	18pF CH
C310	166-1011-50	100pF CH	C473	163-2263-15	6.3V 22uF	C713	163-1063-35	16V 10uF
C313	166-1011-50	100pF CH	C474	163-2263-15	6.3V 22uF	C714	166-2001-50	20pF
C314	166-1011-50	100pF CH	C475	163-2263-15	6.3V 22uF	C715	043-0499-51	0.1uF
C381	166-1511-50	150pF CH	C477	166-5611-50	560pF CH	C718	163-1063-35	16V 10uF
C382	166-1511-50	150pF CH	C478	166-5611-50	560pF CH	C719	168-1032-55	0.01uF K
C383	166-1511-50	150pF CH	C479	166-5611-50	560pF CH	C720	168-1032-55	0.01uF K
C384	166-1511-50	150pF CH	C480	166-5611-50	560pF CH	C721	168-1042-78	16V 0.1uF K
C401	163-2253-65	50V 2.2uF	C481	166-2201-50	22pF CH	C722	178-1052-78	1uF
C402	163-2253-65	50V 2.2uF	C482	166-2201-50	22pF CH	C723	178-2242-78	0.22uF
C403	163-2253-65	50V 2.2uF	C483	166-2201-50	22pF CH	C724	163-2243-65	50V 0.22uF
C404	163-2253-65	50V 2.2uF	C484	166-2201-50	22pF CH	C725	042-0643-52	6.3V 1000uF
C405	163-2253-65	50V 2.2uF	C485	166-5611-50	560pF CH	C726	043-0554-90	25V 10uF
C406	163-2253-65	50V 2.2uF	C486	166-5611-50	560pF CH	C727	168-1042-78	16V 0.1uF K
C407	163-4753-55	35V 4.7uF	C487	166-5611-50	560pF CH	C728	168-1042-78	16V 0.1uF K
C408	168-1042-78	16V 0.1uF K	C488	166-5611-50	560pF CH	C729	042-1678-00	16V 470uF
C409	166-1811-50	180pF CH	C493	043-0554-90	25V 10uF	C734	168-1042-78	16V 0.1uF K
C410	163-2253-65	50V 2.2uF	C494	043-0554-90	25V 10uF	C735	043-0499-51	0.1uF
C411	163-2253-65	50V 2.2uF	C495	168-1042-78	16V 0.1uF K	C803	168-1042-78	16V 0.1uF K
C412	166-1007-50	10pF CH	C496	163-1073-15	6.3V 100uF	C804	166-1011-50	100pF CH
C413	166-1007-50	10pF CH	C497	163-4763-15	6.3V 47uF	C805	168-1032-55	0.01uF K
C414	168-1022-55	1000pF K	C498	168-3322-55	3300pF K	C806	168-1042-78	16V 0.1uF K
C415	166-1511-50	150pF CH	C499	168-3322-55	3300pF K	C807	042-1678-00	16V 470uF
C416	166-1511-50	150pF CH	C500	168-1042-78	16V 0.1uF K	C901	168-1032-55	0.01uF K
C417	166-1511-50	150pF CH	C501	168-1042-78	16V 0.1uF K	C902	163-2263-35	16V 22uF
C418	166-1511-50	150pF CH	C502	163-1063-35	16V 10uF	C903	168-1042-78	16V 0.1uF K
C419	163-4753-55	35V 4.7uF	C503	168-1042-78	16V 0.1uF K	C904	163-2263-35	16V 22uF
C420	168-1042-78	16V 0.1uF K	C509	163-2253-65	50V 2.2uF	C905	166-1011-50	100pF CH
C421	163-4753-55	35V 4.7uF	C510	163-2253-65	50V 2.2uF	C906	168-1032-55	0.01uF K
C422	168-1042-78	16V 0.1uF K	C527	163-2253-65	50V 2.2uF	C909	163-2263-35	16V 22uF
C423	168-1022-55	1000pF K	C528	168-5612-55	560pF Z	C910	168-1032-55	0.01uF K
C424	168-1022-55	1000pF K	C529	163-2253-65	50V 2.2uF	C911	168-3332-78	0.033uF K
C425	166-1011-50	100pF CH	C531	168-1545-56	0.15uF Z	C912	163-1073-15	6.3V 100uF
C426	168-1042-78	16V 0.1uF K	C532	168-1545-56	0.15uF Z	C913	168-1042-78	16V 0.1uF K
C427	168-1042-78	16V 0.1uF K	C533	168-1545-56	0.15uF Z	C914	178-1052-78	1uF
C428	168-1042-78	16V 0.1uF K	C534	168-1545-56	0.15uF Z	C915	163-1073-35	16V 100uF
C429	168-5622-55	5600pF K	C535	163-1063-35	16V 10uF	C916	178-1042-78	0.1uF
C430	168-5622-55	5600pF K	C536	168-1022-55	1000pF K	C917	163-1063-35	16V 10uF
C431	163-4753-55	35V 4.7uF	C538	168-1022-55	1000pF K	C922	168-1042-78	16V 0.1uF K
C432	168-1042-78	16V 0.1uF K	C541	168-1022-55	1000pF K	C923	163-1073-35	16V 100uF
C433	168-1042-78	16V 0.1uF K	C542	168-1022-55	1000pF K	C924	168-1042-78	16V 0.1uF K
C434	168-2232-55	0.022uF K	C543	168-1032-55	0.01uF K	C925	163-2273-05	4V 220uF
C435	163-1073-15	6.3V 100uF	C546	163-3353-65	50V 3.3uF	C926	043-0499-51	0.1uF
C436	168-1042-78	16V 0.1uF K	C547	043-0499-51	0.1uF	C932	168-1022-55	1000pF K
C437	043-0504-50	10V 4.7uF	C548	189-3383-31	16V 3300uF	C933	168-1042-78	16V 0.1uF K
C438	168-4732-78	0.047uF K	C549	178-2222-78	2200pF	C934	168-1022-55	1000pF K
C439	163-2263-15	6.3V 22uF	C550	178-2222-78	2200pF	C935	166-2211-50	220pF CH
C440	168-1042-78	16V 0.1uF K	C551	178-2222-78	2200pF	C936	168-1042-78	16V 0.1uF K
C441	168-1042-78	16V 0.1uF K	C552	178-2222-78	2200pF	C937	168-1042-78	16V 0.1uF K
C442	168-1022-55	1000pF K	C557	178-2222-78	2200pF	D101	001-2403-90	M1F60
C443	168-2232-55	0.022uF K	C558	178-2222-78	2200pF	D102	001-2403-90	M1F60
C444	163-1063-35	16V 10uF	C559	178-2222-78	2200pF	D103	001-0516-90	MA111
C445	178-1052-78	1uF	C560	178-2222-78	2200pF	D104	001-0516-90	MA111

Note) Some parts depend on each model. The model name is specified in the discription.

C-A: PH-3129C-A, C-B: PH-3129C-B, C-C: PH-3129C-C.

REF No.	PART No.	DESCRIPTION	REF No.	PART No.	DESCRIPTION	REF No.	PART No.	DESCRIPTION
D105	001-0529-28	MA8051-L	L704	010-3406-66	22uH J	R302	116-6801-15	1/4W 68 ohm
D106	001-0529-47	MA8091-M	L705	010-3105-62	1k ohm/100MHz	R303	116-1011-15	1/4W 100 ohm
D301	001-0529-69	MA8180-M	L706	010-2285-51	120 ohm/100MHz	R304	116-1011-15	1/4W 100 ohm
D302	001-0529-32	MA8056-M	L707	010-4011-20	2.5mH +3/-3%	R305	119-1031-15	1/10W 10k ohm
D303	001-0529-32	MA8056-M	P701	076-3011-74	24P	R306	119-3321-15	1/10W 3.3k ohm
D502	001-0592-00	RM4Z	Q101	125-2027-91	DTC114EUA	R307	119-4721-15	1/10W 4.7k ohm
D505	001-2403-90	M1F60	Q102	190-1736-00	2SA1736	R308	119-4721-15	1/10W 4.7k ohm
D506	001-0580-90	1SS352	Q103	125-2027-91	DTC114EUA	R311	119-4721-15	1/10W 4.7k ohm
D701	001-0504-42	HZS7 C3L	Q104	191-1197-50	2SB1197K Q,R	R312	119-4721-15	1/10W 4.7k ohm
D702	001-0529-43	MA8082-L	Q105	125-2027-90	DTC143EU	R313	119-4731-15	1/10W 47k ohm
D708	001-2403-90	M1F60	Q106	190-1736-00	2SA1736	R350	119-1021-15	1/10W 1k ohm
D710	001-0529-69	MA8180-M	Q107	193-1664-00	2SD1664	R401	119-3331-15	1/10W 33k ohm
D711	001-0516-90	MA111	Q108	193-1664-00	2SD1664	R402	119-3331-15	1/10W 33k ohm
D712	001-0516-90	MA111	Q109	125-0021-91	DTA114EUA	R403	119-3331-15	1/10W 33k ohm
D713	001-0516-90	MA111	Q110	125-2027-91	DTC114EUA	R404	119-3331-15	1/10W 33k ohm
D714	001-0516-90	MA111	Q203	103-2394-00	2SD2394	R405	119-3331-15	1/10W 33k ohm
D718	001-0516-90	MA111	Q301	193-1664-00	2SD1664	R406	119-3331-15	1/10W 33k ohm
D719	001-0516-90	MA111 (C-A/C-B) (C-C No use)	Q403	125-7005-90	PHK04P02T	R407	119-3331-15	1/10W 33k ohm
D804	001-0535-90	MA729	Q515	125-2027-91	DTC114EUA	R408	119-3331-15	1/10W 33k ohm
D805	001-0516-90	MA111	Q518	125-2043-90	DTC143TUA	R412	119-1031-15	1/10W 10k ohm
D806	001-0516-90	MA111	Q521	125-2027-91	DTC114EUA	R413	119-1021-15	1/10W 1k ohm
D901	001-0529-44	MA8082-M	Q522	125-0021-91	DTA114EUA	R415	119-1031-15	1/10W 10k ohm
D902	001-0529-47	MA8091-M	Q701	192-4081-00	2SC4081	R416	119-1031-15	1/10W 10k ohm
D903	001-2403-90	M1F60	Q702	192-4081-00	2SC4081	R421	119-1001-15	1/10W 10 ohm
D904	001-2403-90	M1F60	Q710	125-2027-91	DTC114EUA	R425	119-3331-15	1/10W 33k ohm
D905	001-2403-90	M1F60	Q711	125-2027-91	DTC114EUA (C-A/C-B)	R426	119-3331-15	1/10W 33k ohm
IC301	051-6648-90	HA12240FP-EL			(C-C No use)	R427	119-3331-15	1/10W 33k ohm
IC401	-----	SAF7730HV/N217F	Q712	125-0021-91	DTA114EUA (C-A/C-B)	R429	119-3331-15	1/10W 33k ohm
IC403	051-3019-90	NJM2060V			(C-C No use)	R439	119-1031-15	1/10W 10k ohm
IC404	051-3354-90	BA33BCOWFP	Q803	125-2027-91	DTC114EUA	R440	119-1031-15	1/10W 10k ohm
IC405	051-3340-00	LD1085P	Q901	103-2394-00	2SD2394	R441	119-1011-15	1/10W 100 ohm
IC502	051-3019-90	NJM2060V	Q902	192-4081-00	2SC4081	R442	119-1011-15	1/10W 100 ohm
IC504	051-2042-00	TA8275H	Q905	192-4081-00	2SC4081	R448	119-1031-15	1/10W 10k ohm
IC506	051-3034-90	NJM4558V	Q906	125-2027-91	DTC114EUA	R449	119-1031-15	1/10W 10k ohm
IC701	051-5423-08	S-80929CLMC-G6Z	Q907	125-0021-92	DTA124EUA	R451	119-3321-15	1/10W 3.3k ohm
IC702	051-9423-90	BR93L86REV-W E2	Q908	192-4081-00	2SC4081	R454	119-1011-15	1/10W 100 ohm
IC703	052-3217-40	uPD703273YGC-C03 -8EA-A (C-A/C-B)	Q909	192-4081-00	2SC4081	R455	119-1001-15	1/10W 10 ohm
IC703	052-3197-50	uPD703272YGC-339 -8EA-A (C-C)	Q912	103-2394-00	2SD2394	R458	119-1021-15	1/10W 1k ohm
IC704	051-5811-90	L9637D	Q913	103-2394-00	2SD2394	R459	119-1021-15	1/10W 1k ohm
IC705	051-3403-90	NJM2903V	Q914	103-2394-00	2SD2394	R460	119-1021-15	1/10W 1k ohm
IC706	051-3344-90	BD3930FP-E2	Q915	125-2027-91	DTC114EUA	R461	119-1021-15	1/10W 1k ohm
IC902	051-3218-90	TA76431F	Q916	125-0021-91	DTA114EUA	R462	119-6821-15	1/10W 6.8k ohm
IC903	051-3344-90	BD3930FP-E2	Q921	125-2027-91	DTC114EUA	R463	119-6821-15	1/10W 6.8k ohm
J101	074-4016-17	17P	Q922	125-0021-91	DTA114EUA	R464	119-6821-15	1/10W 6.8k ohm
J202	074-1237-69	19P	Q923	191-1205-65	2SB1205 S,T	R466	119-6821-15	1/10W 6.8k ohm
J301	074-1168-14	14P	Q924	192-2712-50	2SC2712 Y,G,L	R467	119-6821-15	1/10W 6.8k ohm
J302	074-4017-20	20P	Q925	125-2027-91	DTC114EUA	R470	119-4731-15	1/10W 47k ohm
L101	010-2003-04	30uH	Q926	125-0021-91	DTA114EUA	R471	119-4731-15	1/10W 47k ohm
L102	010-3104-50	30 ohm/100MHz	R101	116-1521-15	1/4W 1.5k ohm	R476	119-4731-15	1/10W 47k ohm
L401	010-3105-62	1k ohm/100MHz	R102	119-4731-15	1/10W 47k ohm	R477	119-4731-15	1/10W 47k ohm
L402	010-3105-62	1k ohm/100MHz	R105	119-1041-15	1/10W 100k ohm	R480	119-6821-15	1/10W 6.8k ohm
L403	010-3105-62	1k ohm/100MHz	R106	119-1521-15	1/10W 1.5k ohm	R481	119-6821-15	1/10W 6.8k ohm
L404	010-3105-62	1k ohm/100MHz	R107	116-5691-15	1/4W 5.6 ohm	R482	119-3331-15	1/10W 33k ohm
L405	010-3105-62	1k ohm/100MHz	R108	119-1031-15	1/10W 10k ohm	R483	119-3331-15	1/10W 33k ohm
L406	010-3105-62	1k ohm/100MHz	R109	119-1011-15	1/10W 100 ohm	R484	119-3331-15	1/10W 33k ohm
L407	010-3105-62	1k ohm/100MHz	R110	119-6821-15	1/10W 6.8k ohm	R485	119-3331-15	1/10W 33k ohm
L408	010-3105-62	1k ohm/100MHz	R111	119-6821-15	1/10W 6.8k ohm	R486	119-3331-15	1/10W 33k ohm
L409	010-3105-62	1k ohm/100MHz	R112	119-1011-15	1/10W 100 ohm	R487	119-3331-15	1/10W 33k ohm
L410	010-3105-62	1k ohm/100MHz	R113	119-1011-15	1/10W 100 ohm	R488	119-3331-15	1/10W 33k ohm
L411	010-3105-62	1k ohm/100MHz	R114	117-2721-15	1/8W 2.7k ohm	R489	119-3331-15	1/10W 33k ohm
L412	010-3105-62	1k ohm/100MHz	R115	119-1011-15	1/10W 100 ohm	R490	119-8221-15	1/10W 8.2k ohm
L413	010-3105-62	1k ohm/100MHz	R116	119-1031-15	1/10W 10k ohm	R513	119-1041-15	1/10W 100k ohm
L414	010-3105-62	1k ohm/100MHz	R117	119-1011-15	1/10W 100 ohm	R514	119-1041-15	1/10W 100k ohm
L415	010-2198-51	0.22uH	R118	116-2291-15	1/4W 2.2 ohm	R515	119-1041-15	1/10W 100k ohm
L416	010-3105-62	1k ohm/100MHz	R119	116-2291-15	1/4W 2.2 ohm	R516	119-1041-15	1/10W 100k ohm
L701	010-3406-66	22uH J	R120	116-6811-15	1/4W 680 ohm	R517	119-2221-15	1/10W 2.2k ohm
L702	010-3406-66	22uH J	R121	119-1011-15	1/10W 100 ohm	R518	119-2221-15	1/10W 2.2k ohm
L703	010-3406-66	22uH J	R122	119-1011-15	1/10W 100 ohm	R521	119-1531-15	1/10W 15k ohm
			R301	116-1211-15	1/4W 120 ohm	R522	119-1531-15	1/10W 15k ohm
						R524	119-0000-05	1/10W 0 ohm JW

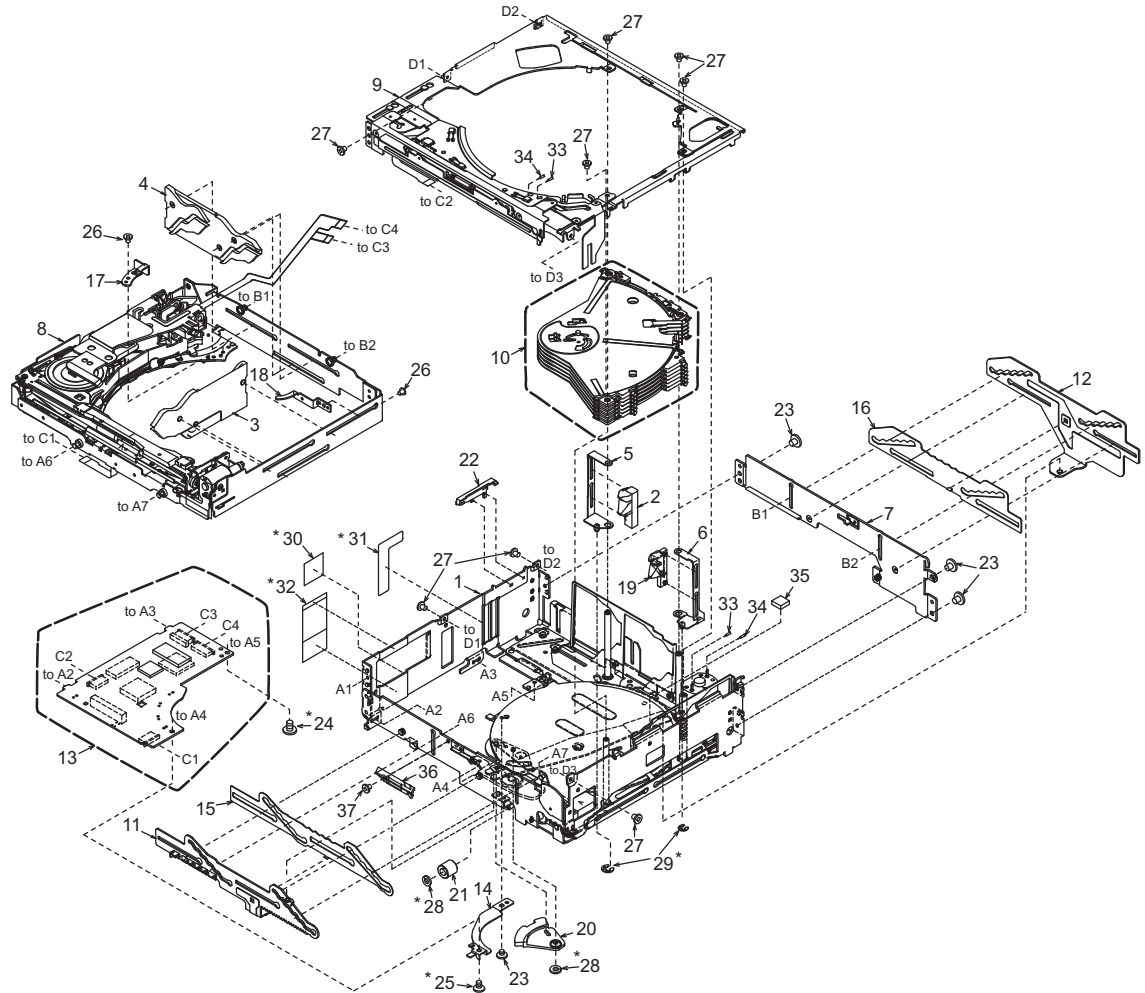
Note) Some parts depend on each model. The model name is specified in the discription.

C-A: PH-3129C-A, C-B: PH-3129C-B, C-C: PH-3129C-C.

REF No.	PART No.	DESCRIPTION	REF No.	PART No.	DESCRIPTION	REF No.	PART No.	DESCRIPTION
R526	119-1031-15	1/10W 10k ohm	R761	119-3331-15	1/10W 33k ohm	R913	119-1031-15	1/10W 10k ohm
R527	119-0000-05	1/10W 0 ohm JW	R763	119-1031-15	1/10W 10k ohm	R914	119-1031-15	1/10W 10k ohm
R528	119-0000-05	1/10W 0 ohm JW	R764	119-3331-15	1/10W 33k ohm	R915	119-4791-15	1/10W 4.7 ohm
R529	119-1531-15	1/10W 15k ohm	R765	119-3321-15	1/10W 3.3k ohm	R916	119-4791-15	1/10W 4.7 ohm
R534	119-1031-15	1/10W 10k ohm	R766	119-1041-15	1/10W 100k ohm	R917	116-1221-15	1/4W 1.2k ohm
R535	119-1531-15	1/10W 15k ohm	R769	119-1041-15	1/10W 100k ohm	R918	116-1221-15	1/4W 1.2k ohm
R536	119-1031-15	1/10W 10k ohm	R772	119-1031-15	1/10W 10k ohm	R919	116-1221-15	1/4W 1.2k ohm
R538	119-0000-05	1/10W 0 ohm JW	R774	119-0000-05	1/10W 0 ohm JW	R920	116-1221-15	1/4W 1.2k ohm
R539	119-1031-15	1/10W 10k ohm	R775	119-1031-15	1/10W 10k ohm	R923	116-1591-15	1/4W 1.5 ohm
R554	119-3321-15	1/10W 3.3k ohm	R776	119-3331-15	1/10W 33k ohm	R924	116-1591-15	1/4W 1.5 ohm
R556	119-2221-15	1/10W 2.2k ohm	R777	119-3321-15	1/10W 3.3k ohm	R929	119-1031-15	1/10W 10k ohm
R559	119-2221-15	1/10W 2.2k ohm	R778	119-3331-15	1/10W 33k ohm	R935	116-1591-15	1/4W 1.5 ohm
R571	119-4721-15	1/10W 4.7k ohm	R779	119-3331-15	1/10W 33k ohm	R936	116-1591-15	1/4W 1.5 ohm
R578	119-4731-15	1/10W 47k ohm	R782	116-1011-15	1/4W 100 ohm	R937	032-0140-93	1/10W 2k ohm F
R579	119-4731-15	1/10W 47k ohm	R783	116-3011-15	1/4W 300 ohm	R938	032-0140-98	1/10W 330 ohm F
R701	119-3331-15	1/10W 33k ohm	R784	116-1021-15	1/4W 1k ohm	R939	116-1821-15	1/4W 1.8k ohm
R702	119-1041-15	1/10W 100k ohm	R785	119-3331-15	1/10W 33k ohm	R940	116-1821-15	1/4W 1.8k ohm
R704	119-1011-15	1/10W 100 ohm	R786	119-1031-15	1/10W 10k ohm	R941	116-1821-15	1/4W 1.8k ohm
R705	119-1011-15	1/10W 100 ohm	R787	119-1031-15	1/10W 10k ohm	R942	116-1821-15	1/4W 1.8k ohm
R706	119-4721-15	1/10W 4.7k ohm	R788	119-4721-15	1/10W 4.7k ohm	R943	119-1031-15	1/10W 10k ohm
R707	119-4721-15	1/10W 4.7k ohm	R789	119-1021-15	1/10W 1k ohm	R944	119-1031-15	1/10W 10k ohm
R708	116-3011-15	1/4W 300 ohm	R790	119-5641-15	1/10W 560k ohm	R945	119-1031-15	1/10W 10k ohm
R709	116-3011-15	1/4W 300 ohm	R793	119-3921-15	1/10W 3.9k ohm	R947	119-1011-15	1/10W 100 ohm
R712	119-3331-15	1/10W 33k ohm	R794	116-8201-15	1/4W 82 ohm	R948	119-1011-15	1/10W 100 ohm
R715	119-2241-15	1/10W 220k ohm	R795	119-1021-15	1/10W 1k ohm	R950	116-3011-15	1/4W 300 ohm
R716	119-3331-15	1/10W 33k ohm	R796	119-1031-15	1/10W 10k ohm	R951	116-3011-15	1/4W 300 ohm
R717	119-1021-15	1/10W 1k ohm	R797	116-3011-15	1/4W 300 ohm	R952	116-3011-15	1/4W 300 ohm
R718	119-3331-15	1/10W 33k ohm	R799	119-3331-15	1/10W 33k ohm	R953	116-3011-15	1/4W 300 ohm
R723	119-1031-15	1/10W 10k ohm	R800	119-3331-15	1/10W 33k ohm	R975	119-0000-05	1/10W 0 ohm JW
R725	119-2221-15	1/10W 2.2k ohm	R801	119-1031-15	1/10W 10k ohm	R976	119-0000-05	1/10W 0 ohm JW
R729	119-1641-15	1/10W 160k ohm	R802	119-3331-15	1/10W 33k ohm	R979	119-1031-15	1/10W 10k ohm
R732	119-2221-15	1/10W 2.2k ohm	R803	119-1031-15	1/10W 10k ohm	R980	119-2221-15	1/10W 2.2k ohm
R734	116-1011-15	1/4W 100 ohm	R804	119-1031-15	1/10W 10k ohm	R981	119-1031-15	1/10W 10k ohm
R735	119-1041-15	1/10W 100k ohm	R805	119-3331-15	1/10W 33k ohm	R982	119-2221-15	1/10W 2.2k ohm
R736	119-3331-15	1/10W 33k ohm	R806	119-2211-15	1/10W 220 ohm	R983	119-1031-15	1/10W 10k ohm
R737	119-1041-15	1/10W 100k ohm	R807	119-1011-15	1/10W 100 ohm	R989	119-1041-15	1/10W 100k ohm
R738	119-3331-15	1/10W 33k ohm	R808	119-1031-15	1/10W 10k ohm	R990	119-4731-15	1/10W 47k ohm
R739	119-3331-15	1/10W 33k ohm	R811	119-1031-15	1/10W 10k ohm	R991	119-2231-15	1/10W 22k ohm
R740	119-4721-15	1/10W 4.7k ohm	R812	119-1031-15	1/10W 10k ohm	R992	119-1021-15	1/10W 1k ohm
R741	119-1011-15	1/10W 100 ohm			(C-A)	R993	119-2711-15	1/10W 270 ohm
R742	119-1011-15	1/10W 100 ohm			(C-B/C-C No use)	R994	119-3331-15	1/10W 33k ohm
R743	119-4721-15	1/10W 4.7k ohm	R813	119-1031-15	1/10W 10k ohm	R995	119-1021-15	1/10W 1k ohm
R744	119-3331-15	1/10W 33k ohm			(C-B)	SUP101	060-0122-91	DSP-141N-S00B
R746	119-1021-15	1/10W 1k ohm			(C-A/C-C No use)	T501	009-0670-80	180uH
R747	119-1021-15	1/10W 1k ohm	R814	119-1031-15	1/10W 10k ohm	TC701	004-1583-52	20pF RED
R748	119-1021-15	1/10W 1k ohm			(C-C)	TH101	002-0318-21	THERMISTOR
R749	119-1021-15	1/10W 1k ohm			(C-A/C-B No use)	TM101	073-0762-90	TERMINAL
R750	119-4721-15	1/10W 4.7k ohm	R901	116-2711-15	1/4W 270 ohm	TM102	073-0762-90	TERMINAL
R751	119-4721-15	1/10W 4.7k ohm	R902	119-1021-15	1/10W 1k ohm	TM501	073-0762-90	TERMINAL
R752	119-4721-15	1/10W 4.7k ohm	R903	116-0000-05	1/4W 0 ohm JW	TM701	073-0762-90	TERMINAL
R753	119-4721-15	1/10W 4.7k ohm	R904	119-1031-15	1/10W 10k ohm	TM901	073-0762-90	TERMINAL
R754	119-1041-15	1/10W 100k ohm	R905	116-4311-15	1/4W 430 ohm	X401	061-3537-90	41.6MHz
R755	119-4721-15	1/10W 4.7k ohm	R907	116-1021-15	1/4W 1k ohm	X701	061-3545-90	3.14572MHz
R757	119-4731-15	1/10W 47k ohm	R909	119-0000-05	1/10W 0 ohm JW	X702	061-3506-90	32.768MHz
R758	119-4731-15	1/10W 47k ohm	R910	119-2231-15	1/10W 22k ohm	PWB	039-2783-01	PWB(WITHOUT COMPONENTS)
R759	119-4731-15	1/10W 47k ohm	R911	116-3311-15	1/4W 330 ohm			
R760	119-4731-15	1/10W 47k ohm	R912	119-1031-15	1/10W 10k ohm			

# EXPLODED VIEW/PARTS LIST

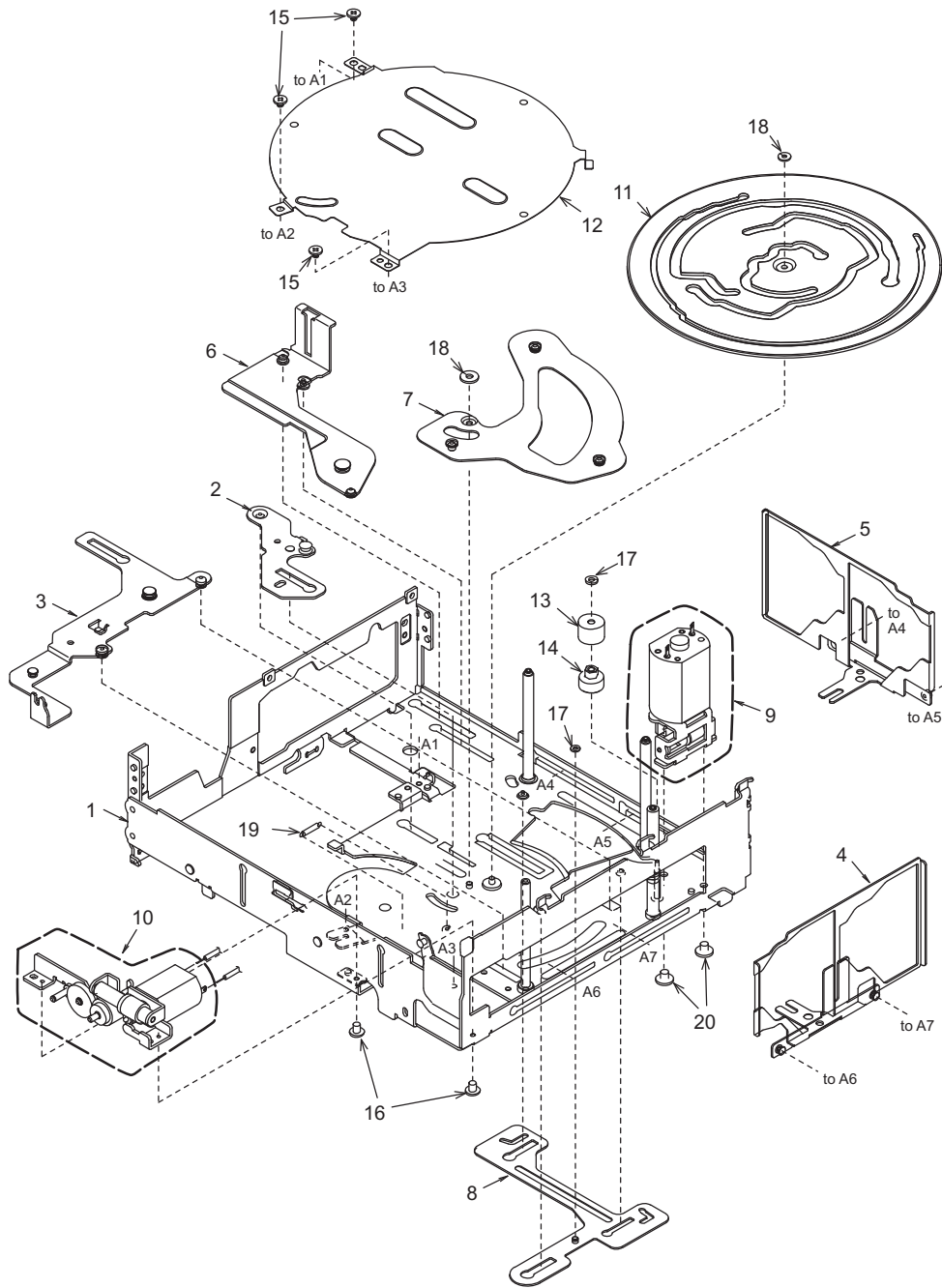
## Main section



Note) Do not reuse the following parts.  
(No.24,25,28,29,30,31,32)

NO.	PART NO.	DESCRIPTION	Q'TY	NO.	PART NO.	DESCRIPTION	Q'TY
1	966-1864-20	LOWER UNIT ASSY	1	20	621-1636-24	SW LINK	1
2	966-0667-21	DISC STP-ASSY L	1	21	621-1765-20	UD-GEAR-D	1
3	HBS-586-100	DH-SEL-ASSY S	1	22	621-1715-20	FPC-STOPPER	1
4	HBS-587-100	DH-SEL-ASSY R	1	23	716-1850-01	SCREW(M2.0x2.0)	4
5	966-0670-22	DS-SP-ASSY L	1	24	716-1850-02	SCREW(M2.0x2.0)	1
6	966-0671-23	DS-SP-ASSY R	1	25	716-1851-02	SCREW(M2.0x3.0)	1
7	966-0672-21	REAR-P-ASSY	1	26	716-3450-00	SCREW(M1.7x2.0)	2
8	966-1753-22	S-DRIVE-CH UNIT	1	27	716-3451-01	SCREW(M1.7x2.5)	8
9	966-1863-20	UPPER UNIT ASSY	1	28	746-0761-00	WASHER	2
10	HBS-566-300	DISC HOLDER UNIT	1	29	744-0045-01	C-RING	2
11	966-1771-21	SLIDE-P-ASSY F	1	30	347-7271-00	FPC SHEET	1
12	966-0709-21	SLIDE-P-ASSY R	1	31	347-7275-00	PROTECT SHEET	1
13	HBS-599-100	CD-PWB-ASSY	1	32	347-7276-00	FPC-SHEET C	1
14	620-1640-20	SW-H-PLATE	1	33	800-4921-60	VINYL-COAT-WIRE	1
15	620-1778-20	GAP PLATE F	1	34	802-4921-60	VINYL-COAT-WIRE	1
16	620-1662-21	GAP PLATE R	1	35	345-5824-00	RUBBER PART	1
17	620-1685-21	DS-PLATE L	1	36	621-1763-20	LOADING GUIDE B	1
18	620-1686-20	DS-PLATE R	1	37	716-1859-01	IT SCREW(M1.7 x 2)	1
19	621-1634-23	DISC STOPPER R	1				

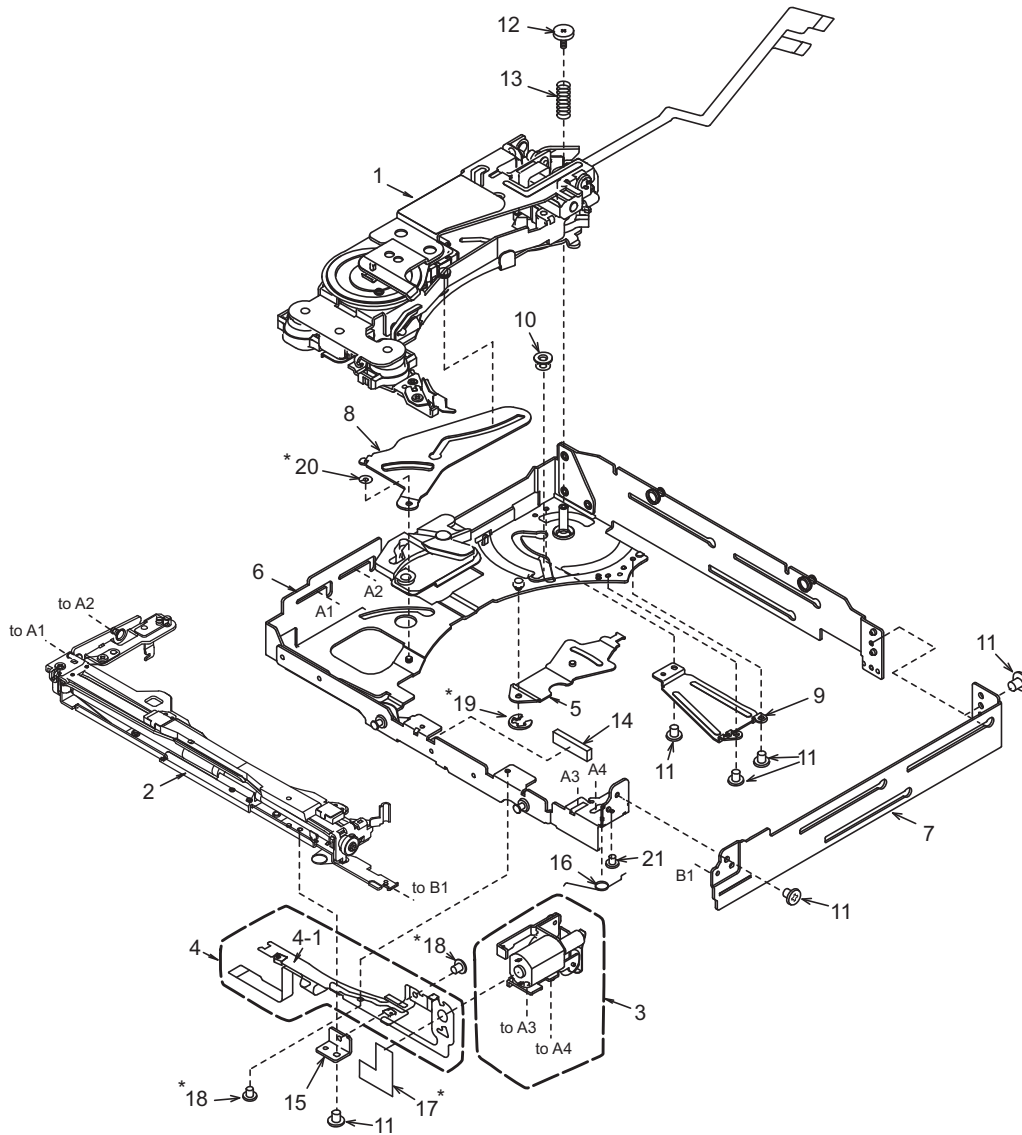
Lower unit assy section



NO.	PART NO.	DESCRIPTION	QTY
1	966-1757-25	LOWER-C-ASSY	1
2	966-0658-22	DH-SP-ASSY A	1
3	966-1758-20	DS-SP-ASSY A	1
4	966-0660-22	DH-SP-ASSY S	1
5	966-0661-23	DH-SP-ASSY R	1
6	966-0677-24	D-SHT PL-B-ASSY	1
7	966-0659-22	DH-SP-ASSY B	1
8	966-1759-00	DS-SP-ASSY B	1
9	HBS-546-100	M-MTR SUB ASSY	1
10	HBS-568-100	UD-MOTOR-ASSY	1

NO.	PART NO.	DESCRIPTION	QTY
11	620-1771-22	CAM GEAR	1
12	620-1624-24	GEAR COVER	1
13	621-0732-21	M-GEAR B	1
14	621-0733-20	M-GEAR C	1
15	716-1850-01	SCREW(M2.0x2.0)	3
16	716-3451-01	SCREW(M1.7x2.5)	2
17	746-0761-00	WASHER	2
18	746-0768-00	WASHER	2
19	750-6756-21	SW-L-SPRING	1
20	716-1851-03	SCREW(M2.0x3.0)	2

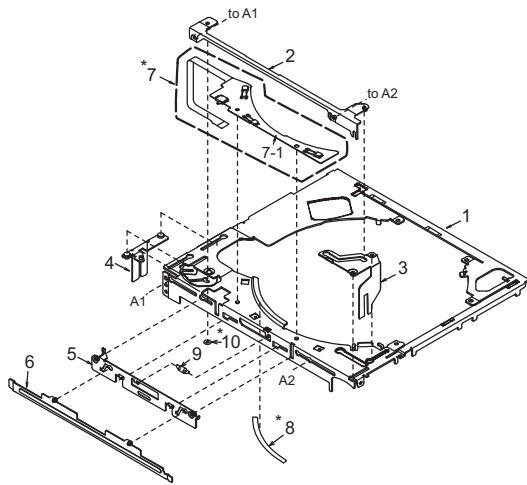
S-Drive-CH unit section



Note) Do not reuse the following parts.  
(No.17,18,19,20)

NO.	PART NO.	DESCRIPTION	Q'TY	NO.	PART NO.	DESCRIPTION	Q'TY
1	HBS-565-200	N-DRIVE UNIT	1	11	716-3450-00	SCREW(M1.7x2.0)	6
2	HBS-567-200	LOADING-U-ASSY	1	12	716-3459-01	SCREW(M1.7x2.0)	1
3	HBS-556-100	LO-MOTOR-S-ASSY	1	13	750-6761-20	DRIVE SPRING A	1
4	HBS-552-200	L-SENSOR-S-ASSY	1	14	345-5868-01	RUBBER PART	1
4-1	-----	SENSOR-L-FPC	1	15	620-1651-21	S-PWB-PLATE	1
5	966-0676-21	D-SHT LK-A-ASSY	1	16	750-6754-20	LO-ES-SPRING B	1
6	966-1755-22	DRIVE-CH A ASSY	1	17	345-5424-01	SEN-FPC GUIDE	1
7	620-1681-21	DRIVE CHASSIS B	1	18	716-1859-01	SCREW(M1.7x2.0)	2
8	620-1672-21	DR-SUPPORT-PL	1	19	744-0039-00	E-RING	1
9	620-1680-20	D-SHIFT COVER	1	20	746-0870-00	WASHER	1
10	622-1743-21	D-SHIFT ROLLER B	1	21	716-3538-00	SCREW(M1.7x2.0)	1

## Upper unit assy section



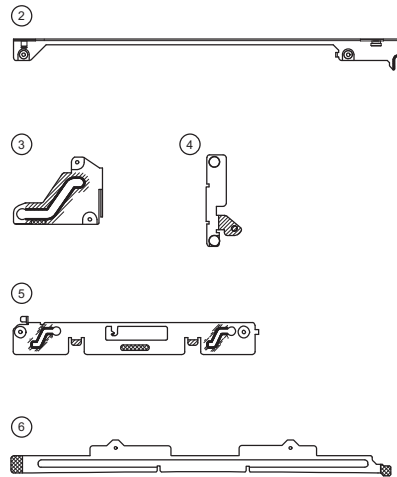
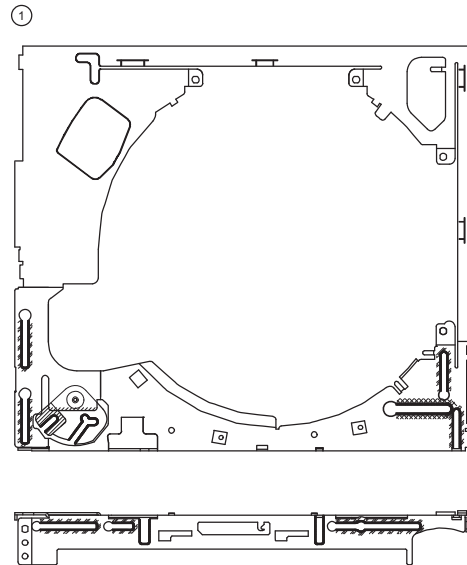
Note) Do not reuse the following parts.  
(No.7,8,10)

NO.	PART NO.	DESCRIPTION	Q'TY
1	966-1761-21	UPPER-CHA-ASSY	1
2	966-1765-20	LO-SHIFT A ASSY	1
3	966-0700-22	LO-SHIFT B ASSY	1
4	966-0701-21	LO-SHIFT ASSY	1
5	966-1766-20	SHUTTER-PL-ASSY	1
6	966-1763-20	SHUTTER ASSY	1
7	HBS-553-200	U-SENSOR-S-ASSY	1
7-1	-----	SENSOR-U-FPC	1
8	347-7272-00	RATTLE SHEET	1
9	750-6755-21	SHUTTER SPRING	1
10	746-0870-00	WASHER	1

[Grease Point]

\* Grease : SANKOL FG-87HSR

	Put grease on the surface	
	Put grease on the reverse side	
	Put grease on the both sides	
	Put grease on the edge	



## ELECTRICAL PARTS LIST

CD PWB(BM1) section

REF No.	PART No.	DESCRIPTION	REF No.	PART No.	DESCRIPTION	REF No.	PART No.	DESCRIPTION
C1	042-0672-00	25V 47uF TA	C8	168-1042-78	16V 0.1uF	C15	168-1032-55	0.01uF K
C2	166-1011-50	100pF CH	C9	178-1052-78	1uF	C20	178-1052-78	1uF
C3	168-1042-78	16V 0.1uF	C10	168-1042-78	16V 0.1uF	C21	168-1042-78	16V 0.1uF
C4	178-1052-78	1uF	C11	168-1042-78	16V 0.1uF	C22	178-1052-78	1uF
C5	042-0671-01	10V 47uF TA	C12	178-1052-78	1uF	C23	168-1042-78	16V 0.1uF
C6	168-1042-78	16V 0.1uF	C13	178-1052-78	1uF	C24	042-0671-01	10V 47uF TA
C7	168-1032-55	0.01uF K	C14	042-0671-01	10V 47uF TA	C25	168-1042-78	16V 0.1uF

Note) Several different parts of the same reference number are alternative parts.  
One of those parts is used in the set.

REF No.	PART No.	DESCRIPTION	REF No.	PART No.	DESCRIPTION	REF No.	PART No.	DESCRIPTION
C26	168-1045-56	0.1uF Z	D1	001-0529-14	MA8030-L	R24	050-0145-58	1/16W 2.2k ohm x4
C27	168-4732-78	0.047uF K	D2	001-0367-91	1S2226	R25	119-4721-15	1/10W 4.7k ohm
C28	166-4701-50	47pF CH	D3	001-4301-16	HZU 3.3B1	R26	119-4721-15	1/10W 4.7k ohm
C29	168-4732-78	0.047uF K	D3	001-0529-16	MA8033-L	R27	117-7511-15	1/8W 750 ohm
C30	166-4711-50	470pF CH	D4	001-4301-18	HZU 3.6B1	R28	116-3391-15	1/4W 3.3 ohm
C31	168-1532-55	0.015uF K	D4	001-0529-18	MA8036-L	R29	032-0145-73	1/2W 6.8 ohm
C32	166-4711-50	470pF CH	IC1	051-6399-00	TC94A15F	R30	119-1041-15	1/10W 100k ohm
C33	168-1042-78	16V 0.1uF	IC2	052-5070-20	TMP91CY22IFG-6NH7	R31	119-6811-15	1/10W 680 ohm
C34	168-6822-55	6800pF K	IC3	051-6711-20	TC94A34FG-004	R32	119-1041-15	1/10W 100k ohm
C35	168-1032-55	0.01uF K	IC4	051-6060-08	BD7961FM-E2	R33	119-6811-15	1/10W 680 ohm
C38	168-3332-78	0.033uF K	IC5	051-5452-90	BD5235G-TR	R34	119-1041-15	1/10W 100k ohm
C39	168-4722-55	4700pF K	IC6	051-9318-10	GLT4160L04P-60TC	R35	117-5611-15	1/8W 560 ohm
C40	168-1042-78	16V 0.1uF	IC6	051-9318-00	MSM51V17400J-60T	R36	119-1041-15	1/10W 100k ohm
C42	168-1042-78	16V 0.1uF	IC8	051-9402-78	BR93L56RFVM-W	R37	119-1041-15	1/10W 100k ohm
C43	168-1532-55	0.015uF K	IC9	051-6072-08	BD7931FE2	R38	119-3321-15	1/10W 3.3k ohm
C44	168-1042-78	16V 0.1uF	IC9	051-6072-08	BD7931FE2	R39	119-1051-15	1/10W 1M ohm
C45	168-1522-55	1500pF K	IC10	051-5833-00	GP1S093HCZ	R40	119-0000-05	1/10W 0 ohm JW
C46	168-1042-78	16V 0.1uF	IC11	051-3364-90	NJU7771F15	R41	119-1041-15	1/10W 100k ohm
C47	166-6811-50	680pF	IC12	051-3364-90	NJU7771F15	R42	119-5621-15	1/10W 5.6k ohm
C48	166-6801-50	68pF CH	J1	074-1237-69	19PIN	R43	119-4731-15	1/10W 47k ohm
C49	178-1052-78	1uF	J2	074-1201-65	15P	R44	119-2231-15	1/10W 22k ohm
C50	042-0671-01	10V 47uF TA	J3	074-1138-56	6P	R45	119-8231-15	1/10W 82k ohm
C51	042-0671-01	10V 47uF TA	J4	074-1100-61	SOCKET 11P	R46	119-3341-15	1/10W 330k ohm
C52	178-1052-78	1uF	J5	074-1201-61	11P SOCKET	R48	119-2231-15	1/10W 22k ohm
C53	168-1042-78	16V 0.1uF	Q1	060-0252-01	PT4850F	R49	116-1001-15	1/4W 10 ohm
C54	178-1052-78	1uF	Q2	125-0021-91	DTA114EUA	R50	119-1011-15	1/10W 100 ohm
C55	178-1052-78	1uF	Q3	198-3018-00	2SK3018	R51	119-6811-15	1/10W 680 ohm
C56	042-0671-01	10V 47uF TA	Q6	131-1188-50	2SB1188PQR	R52	117-7511-15	1/8W 750 ohm
C57	168-1042-78	16V 0.1uF	Q7	125-2027-91	DTC114EUA	R53	116-5611-15	1/4W 560 ohm
C59	168-1042-78	16V 0.1uF	Q8	131-1427-00	2SB1427	R54	119-1041-15	1/10W 100k ohm
C60	178-1052-78	1uF	Q9	131-1188-50	2SB1188PQR	R55	119-1041-15	1/10W 100k ohm
C61	168-1032-55	0.01uF K	Q10	125-2027-91	DTC114EUA	R56	119-1041-15	1/10W 100k ohm
C62	168-1042-78	16V 0.1uF	Q11	125-0021-91	DTA114EUA	R57	119-1041-15	1/10W 100k ohm
C63	168-1042-78	16V 0.1uF	Q12	125-2027-91	DTC114EUA	R58	119-1041-15	1/10W 100k ohm
C64	168-1042-78	16V 0.1uF	Q20	131-1427-00	2SB1427	R59	116-1511-15	1/4W 150 ohm
C65	168-1042-78	16V 0.1uF	R1	119-4731-15	1/10W 47k ohm	R60	119-4731-15	1/10W 47k ohm
C66	168-1042-78	16V 0.1uF	R2	119-2211-15	1/10W 220 ohm	R61	119-4731-15	1/10W 47k ohm
C67	168-1042-78	16V 0.1uF	R3	119-2211-15	1/10W 220 ohm	R62	119-1051-15	1/10W 1M ohm
C68	168-1042-78	16V 0.1uF	R4	119-1041-15	1/10W 100k ohm	R64	032-0140-62	1/10W 1.0k ohm F
C70	168-1042-78	16V 0.1uF	R5	119-4731-15	1/10W 47k ohm	R65	119-2211-15	1/10W 220 ohm
C71	168-1042-78	16V 0.1uF	R6	119-2211-15	1/10W 220 ohm	R66	032-0140-53	1/10W 2.2k ohm F
C72	168-1042-78	16V 0.1uF	R7	119-2211-15	1/10W 220 ohm	R71	119-1011-15	1/10W 100 ohm
C73	178-1052-78	1uF	R8	119-2211-15	1/10W 220 ohm	R72	119-1011-15	1/10W 100 ohm
C74	168-1042-78	16V 0.1uF	R10	032-0140-16	1/10W 180k ohm F	R73	119-1011-15	1/10W 100 ohm
C75	168-2222-55	2200pF K	R11	032-0140-96	1/10W 120k ohm F	R77	119-0000-05	1/10W 0 ohm JW
C81	166-1007-50	10pF CH	R12	119-2231-15	1/10W 22k ohm	R82	119-1011-15	1/10W 100 ohm
C82	166-1007-50	10pF CH	R13	119-4711-15	1/10W 470 ohm	R83	119-1031-15	1/10W 10k ohm
C83	178-1052-78	1uF	R14	119-2221-15	1/10W 2.2k ohm	R85	119-1021-15	1/10W 1k ohm
C85	178-1052-78	1uF	R15	119-1031-15	1/10W 10k ohm	R86	119-2231-15	1/10W 22k ohm
C86	166-1201-50	12pF CH	R16	119-0000-05	1/10W 0 ohm JW	S1	013-7416-50	SW SPVL110200
C87	042-1702-90	6.3V 100uF	R17	119-4731-15	1/10W 47k ohm	S2	013-7416-50	SW SPVL110200
C91	168-1032-55	0.01uF K	R18	119-2231-15	1/10W 22k ohm	S3	013-7416-50	SW SPVL110200
CCT1	050-0145-59	1/16W 22 ohm x4	R19	119-2231-15	1/10W 22k ohm	S4	013-7415-50	SPVG110400
CCT2	050-0145-54	1/16W 47k ohm x4	R20	119-4721-15	1/10W 4.7k ohm	X1	061-3534-90	16.92MHz
CCT3	050-0145-54	1/16W 47k ohm x4	R21	119-4731-15	1/10W 47k ohm	X3	060-1545-90	20MHz
CCT4	050-0145-55	1/16W 10k ohm x4	R22	119-4731-15	1/10W 47k ohm	PWB	039-2747-21	PWB(WITHOUT COMPONENTS)
D1	001-4301-14	HZU 3.0B1	R23	119-4731-15	1/10W 47k ohm			

#### Sensor-L-PFC(B2)

REF No.	PART No.	DESCRIPTION	REF No.	PART No.	DESCRIPTION	REF No.	PART No.	DESCRIPTION
PT1	060-0252-01	PT14850F	PT3	051-5833-00	GP1S093HCZ	PWB	039-2467-21	PWB(WITHOUT COMPONENTS)
PT2	060-0252-01	PT14850F						

#### Sensor-U-PFC(B3)

REF No.	PART No.	DESCRIPTION	REF No.	PART No.	DESCRIPTION	REF No.	PART No.	DESCRIPTION
LED1	001-7077-00	GL4804	LED3	001-7077-00	GL4804	PWB	039-2466-20	PWB(WITHOUT COMPONENTS)
LED2	001-7077-00	GL4804	S5	013-7417-50	ABC1122P161			