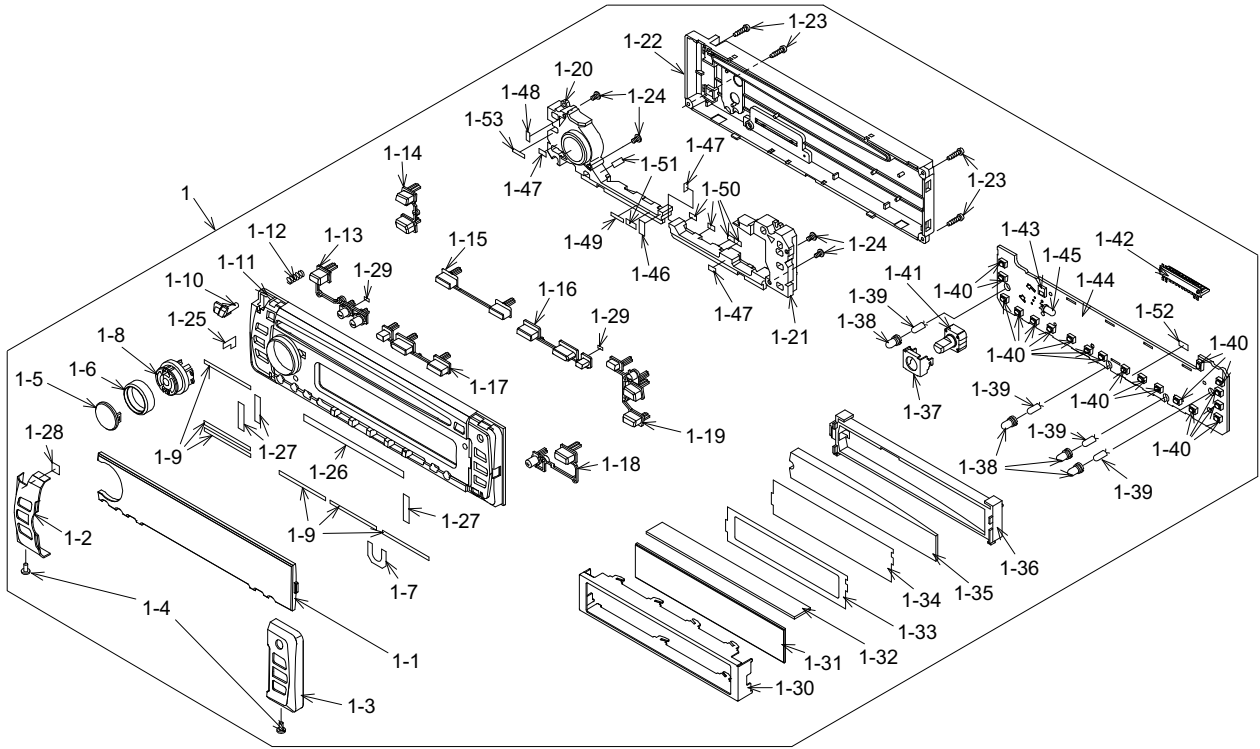


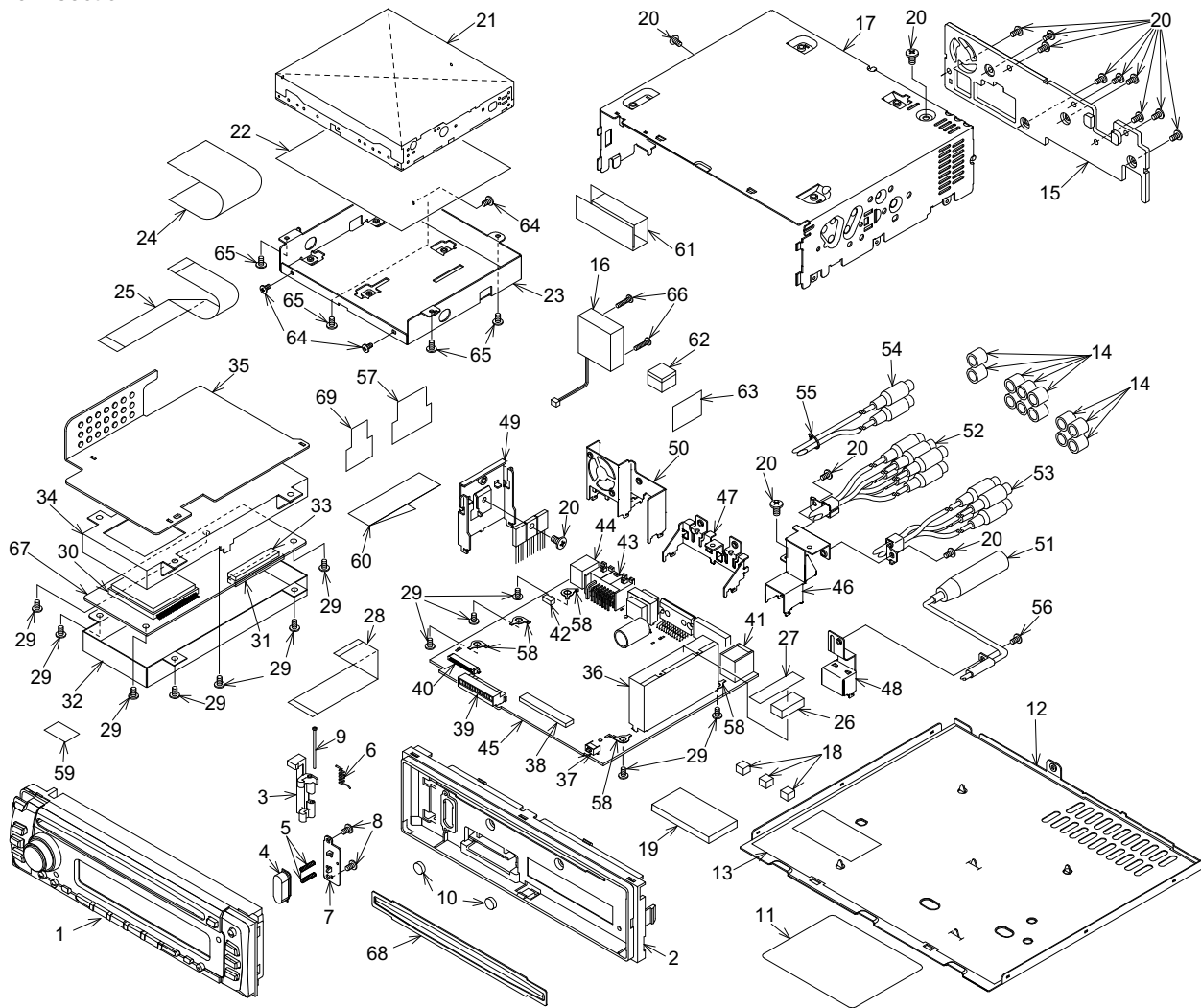
# EXPLODED VIEW / PARTS LIST

DCP section



NO.	PART NO.	DESCRIPTION	Q'TY	NO.	PART NO.	DESCRIPTION	Q'TY
1	DCP-470-800	DCP ASSY	1	1-27	347-7134-00	DOUBLE FACE	3
1-1	373-1016-07	DIAL COVER	1	1-28	347-7305-00	SHADE	1
1-2	371-5761-00	FACE PANEL (L)	1	1-29	347-7325-00	FILM	2
1-3	371-5760-02	FACE PANEL (R)	1	1-30	331-3696-01	LCD COVER	1
1-4	778-6019-00	SCREW (M1.7 x 6)	2	1-31	379-1288-51	INDICATOR (LCD)	1
1-5	380-5578-00	KNOB COVER	1	1-32	345-5416-00	RUBBER PARTS	1
1-6	345-5371-00	RUBBER RING	1	1-33	347-7131-00	BLACK FILM	1
1-7	347-7144-00	DOUBLE FACE	1	1-34	347-7132-00	LCD FILM	1
1-8	380-5577-00	KNOB	1	1-35	335-7056-00	ILLUMI PLATE	1
1-9	347-7133-00	DOUBLE FACE	6	1-36	335-7055-01	LCD HOLDER	1
1-10	382-6817-00	BUTTON	1	1-37	331-3337-00	VR HOLDER	1
1-11	370-6076-02	FRONT ESCUTCHEON	1	1-38	345-5231-00	LAMP CAP	4
1-12	750-6748-00	SPRING	1	1-39	017-0444-00	PILOT LAMP (14V50mA)	4
1-13	382-6811-01	BUTTON (A-M,FF,FB)	1	1-40	013-6312-50	SWITCH	19
1-14	382-6810-00	BUTTON (FNC,BAND)	1	1-41	016-9900-84	VR W/SHAFT	1
1-15	382-6813-01	BUTTON (2,5)	1	1-42	076-0615-50	PLUG (12P)	1
1-16	382-6814-01	BUTTON (4,6,P/A)	1	1-43	060-4017-90	IR RECEIVER	1
1-17	382-6812-01	BUTTON (PLAY/PAUSE,1,3)	1	1-44	-----	SWITCH PWB	1
1-18	382-6816-02	BUTTON (A,ISR)	1	1-45	001-7046-00	DIODE (LED)	1
1-19	382-6815-01	BUTTON (EJ,Z+,2-ZONE,DISP)	1	1-46	347-7230-00	FILM	1
1-20	335-7073-00	ILLUMI PLATE (L)	1	1-47	347-7238-00	FILM	3
1-21	335-7072-01	ILLUMI PLATE (R)	1	1-48	347-7239-00	FILM	1
1-22	335-6897-02	REAR COVER	1	1-49	347-7326-00	FILM	1
1-23	716-0872-11	SCREW (M1.7 x 6)	4	1-50	347-7327-00	FILM	4
1-24	716-1764-00	PAD SCREW (M1.7 x 5)	4	1-51	347-7328-00	FILM	2
1-25	347-7143-00	DOUBLE FACE	1	1-52	347-7329-00	FILM	1
1-26	347-7135-00	DOUBLE FACE	1	1-53	347-7338-00	FILM	1

Main section

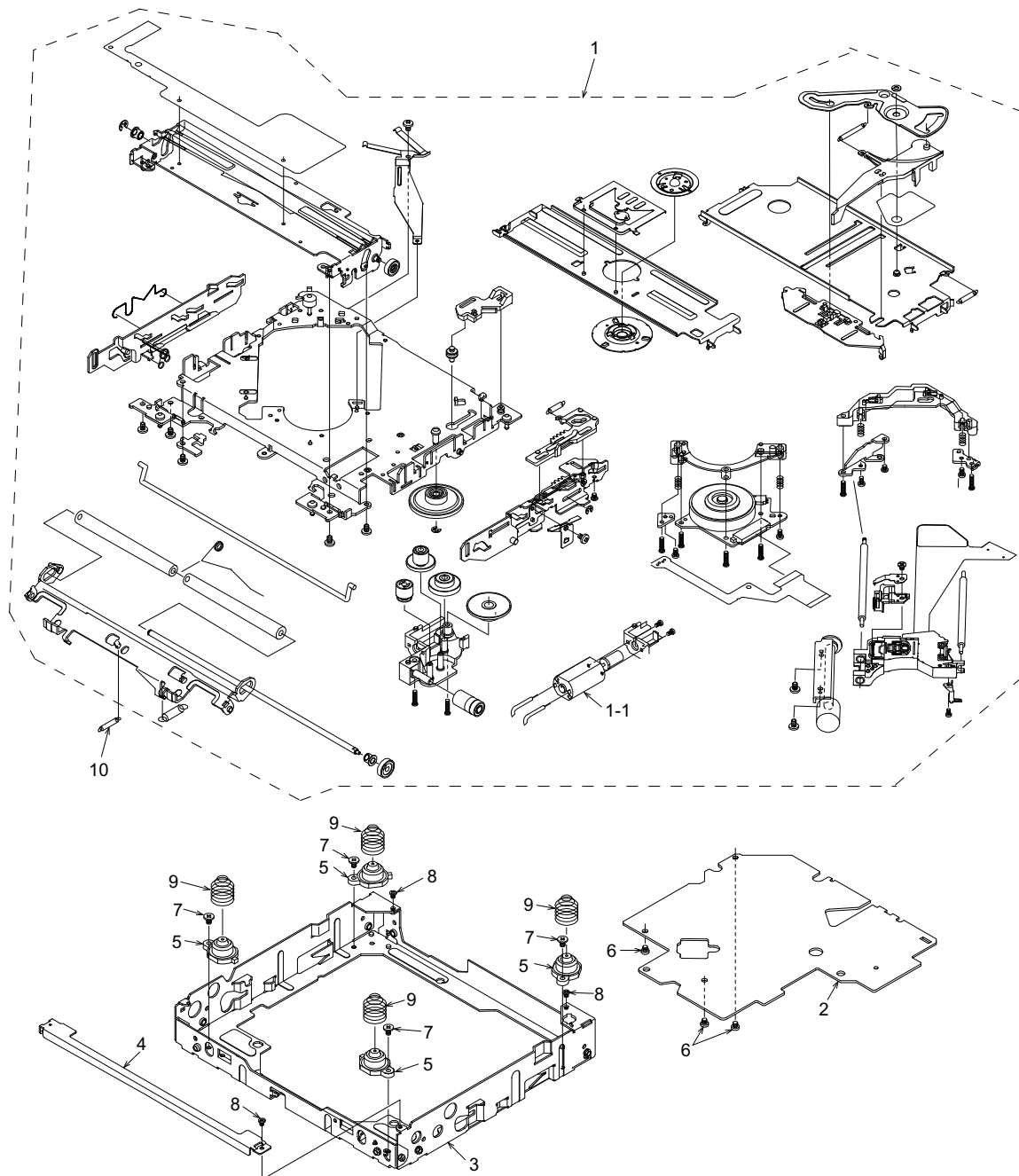


Note) Some parts depend on each model. The model name is specified in the description.

NO.	PART NO.	DESCRIPTION	Q'TY	NO.	PART NO.	DESCRIPTION	Q'TY
1	DCP-470-800	DCP ASSY	1	21	929-2130-80	DVD MECHANISM	1
2	370-6027-06	INNER ESCUTCHEON	1	22	347-7224-01	SHIELD SHEET	1
3	335-5915-01	HOOK	1	23	331-3734-01	MECHANISM BRACKET	1
4	382-4078-00	BUTTON	1	24	816-2644-50	FLAT WIRE (50P)	1
5	750-3173-00	SPRING	2	25	816-2646-50	FLAT WIRE (18P)	1
6	750-3219-00	SPRING	1	26	345-5312-00	CUSHION	1
7	331-2594-00	HOOK PLATE	1	27	347-6341-00	E-SHEET	1
8	716-0778-00	WAVE SCREW (M2 x 6)	2	28	816-2645-50	FLAT WIRE (40P)	1
9	341-1627-00	SHAFT	1	29	716-0878-00	IT SCREW (M2.6 x 5)	12
10	345-5446-00	SHADE RUBBER	2	30	345-5445-00	HEAT RUBBER (t=1.5)	1
11	286-6501-00 286-6502-00 286-6503-00	SETPLATE (PE-2630K-D) SETPLATE (PE-2630K-E) SETPLATE (PE-2630K-F)	1	31	074-1205-00	OUTLET SOCKET (50P)	1
12	311-1881-00	LOWER CASE	1	32	331-3736-00	SHIELD CASE	1
13	347-7225-00	INSULATOR	1	33	074-1205-90	OUTLET SOCKET (40P)	1
14	345-3799-20	RUBBER PARTS	12	34	331-3735-00	SHIELD CASE	1
15	313-1892-00	HEAT SINK	1	35	313-1891-00	HEAT SINK	1
16	020-3045-11	DC MOTOR	1	36	880-2090B	AM/FM TUNER	1
17	310-1786-00	UPPER CASE	1	37	013-6103-00	TACT SWITCH	1
18	345-5448-00	SPACER	3	38	074-1189-90	OUTLET SOCKET (40P)	1
19	345-5447-00	HEAT RUBBER (t=4.0)	1	39	074-1217-50	OUTLET SOCKET (12P)	1
20	714-3006-81	MACHINE SCREW (M3 x 6)	15	40	074-1201-68	OUTLET SOCKET (18P)	1
				41	074-1194-00	OUTLET SOCKET (Ce-NET)	1

NO.	PART NO.	DESCRIPTION	Q'TY	NO.	PART NO.	DESCRIPTION	Q'TY
42	076-0438-02	PLUG	1	56	714-2605-81	MACHINE SCREW (M2.6x5)	1
43	074-1214-00	OUTLET SOCKET (16P)	1	57	347-7404-00	FILM	1
44	075-0385-00	JACK	1	58	073-0781-00	TERMINAL	5
45	-----	MAIN PWB	1	59	347-7228-00	DOUBLE FACE	1
46	331-3740-00	CORD HOLDER	1	60	347-7227-00	COVER FILM	1
47	331-3738-00	IC HOLDER	1	61	347-7226-00	DUCT FILM	1
48	331-3744-00	CONNECTOR HOLDER	1	62	345-5449-00	SPACER	1
49	331-3737-00	IC HOLDER	1	63	347-7229-00	SPACER FILM	1
50	331-3739-00	CONNECTOR HOLDER	1	64	714-2603-80	MACHINE SCREW (M2.6x3)	3
51	092-2208-00	ANT RECEPTACLE	1	65	714-3004-80	MACHINE SCREW (M3x4)	4
52	855-5494-50	RCA PIN CORD (6CH)	1	66	714-2614-81	MACHINE SCREW (M2.6x1)	2
53	855-5495-50	RCA PIN CORD (4CH)	1	67	-----	DVD PWB	1
54	855-5496-50	RCA PIN CORD (2CH)	1	68	346-0097-00	LEATHER SHEET	1
55	335-0833-05	LEAD HOLDER	1	69	347-7398-00	FILM	1

DVD mechanism section



NO.	PART NO.	DESCRIPTION	Q'TY
1	HBS-536-100	MECHANISM ASSY	1
1-1	SMA-192-100	LOADING MOTOR ASSY	1
2	-----	MECHANISM PWB	1
3	620-1709-81	CHASSIS	1
4	620-1710-20	FRONT STOPPER	1
5	629-0096-20	DAMPER	4

NO.	PART NO.	DESCRIPTION	Q'TY
6	716-3486-00	SCREW (M2x2.5)	3
7	716-1851-00	SCREW (M2x2)	4
8	738-1720-17	PRECISION SCREW	3
9	750-3450-01	DAMPER SPRING	4
10	750-3452-00	CENTER SPRING	1

## HOW TO CHECK

When the mechanism assy HBS-523-100 is replaced, please check the operation by the following procedure.

### Preparation

#### 1. Test disc

- DVD: TDV-562(made by ALMEDIO)
- CD: TCD-732RA(made by ALMEDIO)

### Procedure

Operation check by test DVD(TDV-562)

1. Insert the test DVD and play chapter 16. Then, check the access operation.
2. Play chapter 1. Then, check the access operation.
3. If there is no problem, the operation must be OK.

Operation check by test CD(TCD-732RA)

1. Insert the test CD and play track 15. Then, check the jumping sound.
2. Play track 1. Then, check the jumping sound.
3. If there is no problem, the operation must be OK.

Checking standard

\* DVD play: Can be played without any stopping and distortion.  
(more than 10 sec.)

\* CD play: Can be played correctly without jumping sound.  
(more than 10 sec.)

\* Access operation: The access time from inner to outer and outer to inner must be within 2.5seconds.

## ELECTRICAL PARTS LIST

### Switch PWB (B1) section

Note) Several different parts of the same reference number are alternative parts.  
One of those parts is used in the set.

REF No.	PART No.	DESCRIPTION	REF No.	PART No.	DESCRIPTION	REF No.	PART No.	DESCRIPTION
C 701	168-1042-78	16V 0.1uF	PL 703	017-0461-00	14V 50mA	R 740	119-4711-15	1/10W 470 ohm
C 702	168-1042-78	16V 0.1uF	PL 704	017-0444-00	14V 50mA	R 741	119-4711-15	1/10W 470 ohm
C 703	168-1042-78	16V 0.1uF	PL 704	017-0461-00	14V 50mA	S 702	013-6312-50	SKRP-ABE-010
C 704	168-1042-78	16V 0.1uF	Q 701	125-3004-90	KTA1504S	S 703	013-6312-50	SKRP-ABE-010
C 705	168-1042-78	16V 0.1uF	Q 704	125-2199-93	KRC103S	S 704	013-6312-50	SKRP-ABE-010
C 706	042-0423-97	16V 10uF	Q 707	125-2199-93	KRC103S	S 705	013-6312-50	SKRP-ABE-010
C 707	042-0423-97	16V 10uF	Q 708	125-0199-93	KRA103S	S 706	013-6312-50	SKRP-ABE-010
C 708	168-1042-78	16V 0.1uF	Q 709	125-2199-93	KRC103S	S 707	013-6312-50	SKRP-ABE-010
C 709	168-1042-78	16V 0.1uF	R 701	119-1011-15	1/10W 100 ohm	S 709	013-6312-50	SKRP-ABE-010
C 710	042-0423-97	16V 10uF	R 702	119-1021-15	1/10W 1K ohm	S 710	013-6312-50	SKRP-ABE-010
D 701	001-0529-29	MA8051M	R 703	119-1041-15	1/10W 100K ohm	S 711	013-6312-50	SKRP-ABE-010
D 702	001-0529-14	MA8030L	R 704	119-3921-15	1/10W 3.9K ohm	S 713	013-6312-50	SKRP-ABE-010
D 703	001-7046-00	NSPW310BS	R 710	119-1031-15	1/10W 10K ohm	S 714	013-6312-50	SKRP-ABE-010
D 704	001-0529-41	MA8075M	R 711	119-1031-15	1/10W 10K ohm	S 715	013-6312-50	SKRP-ABE-010
D 705	001-0529-41	MA8075M	R 712	119-1031-15	1/10W 10K ohm	S 716	013-6312-50	SKRP-ABE-010
D 706	001-0529-41	MA8075M	R 713	119-1031-15	1/10W 10K ohm	S 717	013-6312-50	SKRP-ABE-010
IC 701	051-6073-00	NJU6538FG1	R 714	119-1241-15	1/10W 120K ohm	S 718	013-6312-50	SKRP-ABE-010
IR 701	060-4017-90	RS-671	R 724	119-1511-15	1/10W 150 ohm	S 719	013-6312-50	SKRP-ABE-010
J 701	076-0615-50	12P	R 725	119-6801-15	1/10W 68 ohm	S 720	013-6312-50	SKRP-ABE-010
LCD701	379-1288-51	INDICATOR(LCD)	R 726	119-2211-15	1/10W 220 ohm	S 721	013-6312-50	SKRP-ABE-010
PL 701	017-0444-00	14V 50mA	R 727	119-2211-15	1/10W 220 ohm	S 722	013-6312-50	SKRP-ABE-010
PL 701	017-0461-00	14V 50mA	R 728	119-8211-15	1/10W 820 ohm	VR 701	016-9900-84	VR W/SHAFT
PL 702	017-0444-00	14V 50mA	R 729	119-2711-15	1/10W 270 ohm	PWB	039-2451-00	PWB(WITHOUT COMPONENT)
PL 702	017-0461-00	14V 50mA	R 730	119-4721-15	1/10W 4.7K ohm			
PL 703	017-0444-00	14V 50mA	R 739	119-4711-15	1/10W 470 ohm			

### DVD PWB (B2) section

REF No.	PART No.	DESCRIPTION	REF No.	PART No.	DESCRIPTION	REF No.	PART No.	DESCRIPTION
C 501	168-1042-78	16V 0.1uF	C 513	042-0567-53	6.3V 10uF TAN	C 525	166-8211-50	820pF CH
C 502	168-1042-78	16V 0.1uF	C 514	042-0567-53	6.3V 10uF TAN	C 526	168-1042-78	16V 0.1uF
C 503	168-1042-78	16V 0.1uF	C 515	168-1042-78	16V 0.1uF	C 527	168-1042-78	16V 0.1uF
C 504	042-0416-57	10V 47uF TAN	C 516	042-0423-20	10V 10uF TAN	C 528	166-1011-50	100pF CH
C 505	168-1042-78	16V 0.1uF	C 517	042-0423-20	10V 10uF TAN	C 529	166-1011-50	100pF CH
C 506	168-1042-78	16V 0.1uF	C 518	168-1042-78	16V 0.1uF	C 530	042-0416-57	10V 47uF TAN
C 507	168-1042-78	16V 0.1uF	C 519	168-1042-78	16V 0.1uF	C 531	168-1042-78	16V 0.1uF
C 508	168-1042-78	16V 0.1uF	C 520	168-1042-78	16V 0.1uF	C 601	042-0416-57	10V 47uF TAN
C 509	042-0567-53	6.3V 10uF TAN	C 521	168-1042-78	16V 0.1uF	C 602	042-0416-57	10V 47uF TAN
C 510	042-0567-53	6.3V 10uF TAN	C 522	042-0423-20	10V 10uF TAN	C 603	168-1042-78	16V 0.1uF
C 511	168-1042-78	16V 0.1uF	C 523	042-0423-20	10V 10uF TAN	C 604	168-1042-78	16V 0.1uF
C 512	168-1042-78	16V 0.1uF	C 524	166-8211-50	820pF CH	C 605	168-1042-78	16V 0.1uF

REF No.	PART No.	DESCRIPTION	REF No.	PART No.	DESCRIPTION	REF No.	PART No.	DESCRIPTION
C 606	168-1042-78	16V 0.1uF	CCT610	050-0140-59	1/32W 33 ohm x4J	R 512	119-7501-15	1/10W 75 ohm
C 607	042-0567-53	6.3V 10uF TAN	CCT611	050-0140-59	1/32W 33 ohm x4J	R 513	119-7501-15	1/10W 75 ohm
C 608	168-1042-78	16V 0.1uF	CCT612	050-0140-59	1/32W 33 ohm x4J	R 514	119-7501-15	1/10W 75 ohm
C 609	168-2212-55	220pF	CCT613	050-0140-59	1/32W 33 ohm x4J	R 515	119-1021-15	1/10W 1k ohm
C 610	168-1042-78	16V 0.1uF	CCT614	050-0140-69	1/32W 56 ohm x4J	R 516	032-0140-12	1/4W 75 ohm F
C 611	168-1042-78	16V 0.1uF	CCT615	050-0140-69	1/32W 56 ohm x4J	R 517	032-0140-50	1/10W 10k ohm F
C 612	168-1042-78	16V 0.1uF	CCT616	050-0140-52	1/32W 100 ohm x4J	R 518	032-0140-50	1/10W 10k ohm F
C 613	168-1042-78	16V 0.1uF	CCT617	050-0140-52	1/32W 100 ohm x4J	R 519	032-0140-04	1/10W 8.2k ohm F
C 614	168-1042-78	16V 0.1uF	CCT618	050-0140-52	1/32W 100 ohm x4J	R 520	032-0140-04	1/10W 8.2k ohm F
C 615	168-1042-78	16V 0.1uF	D 501	001-0529-41	MA8075M	R 521	032-0140-50	1/10W 10k ohm F
C 616	168-1042-78	16V 0.1uF	D 502	001-0529-41	MA8075M	R 522	032-0140-50	1/10W 10k ohm F
C 617	042-0567-53	6.3V 10uF TAN	D 503	001-0529-41	MA8075M	R 523	032-0140-50	1/10W 10k ohm F
C 618	042-0567-53	6.3V 10uF TAN	D 504	001-0529-41	MA8075M	R 524	032-0140-50	1/10W 10k ohm F
C 619	168-1042-78	16V 0.1uF	D 505	001-0529-41	MA8075M	R 525	032-0140-50	1/10W 10k ohm F
C 620	166-2201-50	22pF CH	D 506	001-0529-41	MA8075M	R 526	032-0140-50	1/10W 10k ohm F
C 621	168-1042-78	16V 0.1uF	D 507	001-0529-41	MA8075M	R 527	032-0140-50	1/10W 10k ohm F
C 622	168-1042-78	16V 0.1uF	D 508	001-0529-41	MA8075M	R 528	032-0140-73	1/10W 820 ohm F
C 623	168-1042-78	16V 0.1uF	D 509	001-0529-41	MA8075M	R 529	032-0140-56	1/10W 12k ohm F
C 624	168-1042-78	16V 0.1uF	D 510	001-0529-41	MA8075M	R 530	119-2211-15	1/10W 220 ohm
C 625	168-1042-78	16V 0.1uF	D 511	001-0529-41	MA8075M	R 531	119-2211-15	1/10W 220 ohm
C 626	168-1042-78	16V 0.1uF	D 512	001-0529-41	MA8075M	R 532	119-2211-15	1/10W 220 ohm
C 627	168-1042-78	16V 0.1uF	D 513	001-0529-41	MA8075M	R 533	119-2211-15	1/10W 220 ohm
C 628	168-1042-78	16V 0.1uF	D 514	001-0529-41	MA8075M	R 534	119-1041-15	1/10W 100k ohm
C 629	168-1042-78	16V 0.1uF	D 515	001-0529-41	MA8075M	R 535	119-1041-15	1/10W 100k ohm
C 630	168-1045-56	5V 0.1uF	D 516	001-0529-41	MA8075M	R 536	119-1041-15	1/10W 100k ohm
C 631	042-0567-53	6.3V 10uF TAN	D 517	001-0529-41	MA8075M	R 537	119-1041-15	1/10W 100k ohm
C 632	042-0567-53	6.3V 10uF TAN	D 518	001-0529-41	MA8075M	R 538	119-0000-05	1/10W 0 ohm JW
C 633	168-1042-78	16V 0.1uF	FIL501	060-3102-91	NFM51R00P206	R 539	119-0000-05	1/10W 0 ohm JW
C 634	168-1042-78	16V 0.1uF	IC 501	051-7222-08	TC7SH08F-TE85L	R 540	119-0000-05	1/10W 0 ohm JW
C 635	168-1042-78	16V 0.1uF	IC 502	051-6442-00	ADV7170KSU	R 601	119-3301-15	1/10W 33 ohm
C 636	168-1042-78	16V 0.1uF	IC 503	051-6387-08	PCM1720E	R 602	119-3301-15	1/10W 33 ohm
C 637	168-1042-78	16V 0.1uF	IC 504	051-3034-90	NJM4558V	R 603	119-3301-15	1/10W 33 ohm
C 638	168-1042-78	16V 0.1uF	IC 505	051-3034-90	NJM4558V	R 604	119-4721-15	1/10W 4.7k ohm
C 639	168-1042-78	16V 0.1uF	IC 601	051-7274-08	SN74AHCT574PWR	R 606	119-4721-15	1/10W 4.7k ohm
C 640	168-1042-78	16V 0.1uF	IC 602	051-7256-08	SN74AHCT1G32-	R 607	119-4721-15	1/10W 4.7k ohm
C 641	168-1042-78	16V 0.1uF		DCKR	R 608	119-4721-15	1/10W 4.7k ohm	
C 642	168-1042-78	16V 0.1uF	IC 603	051-9320-30	HY57V161610DTC71	R 609	119-2211-15	1/10W 220 ohm
C 643	168-1042-78	16V 0.1uF	IC 604	052-6058-10	MR27V802D-	R 610	119-1021-15	1/10W 1k ohm
C 644	168-1042-78	16V 0.1uF		A6TPZ010	R 611	119-1031-15	1/10W 10k ohm	
C 645	168-1042-78	16V 0.1uF	IC 605	051-9320-30	HY57V161610DTC71	R 612	119-1031-15	1/10W 10k ohm
C 647	042-0567-53	6.3V 10uF TAN	IC 606	051-6441-00	ES4408FD	R 613	119-4701-15	1/10W 47 ohm
C 648	042-0567-53	6.3V 10uF TAN	IC 607	051-7260-08	TC7WT125FUTE12L	R 614	119-4721-15	1/10W 4.7k ohm
C 649	168-1042-78	16V 0.1uF	IC 608	051-7260-08	TC7WT125FUTE12L	R 615	119-4721-15	1/10W 4.7k ohm
C 650	168-1042-78	16V 0.1uF	IC 609	051-9406-28	BR24L01AF-WE2	R 616	119-3301-15	1/10W 33 ohm
C 651	168-1042-78	16V 0.1uF	IC 610	051-1443-09	TC7WU04F	R 617	119-3301-15	1/10W 33 ohm
C 652	168-1042-78	16V 0.1uF	J 501	074-1205-90	40P	R 618	119-3301-15	1/10W 33 ohm
C 653	168-1042-78	16V 0.1uF	J 601	074-1205-00	50P	R 619	119-3301-15	1/10W 33 ohm
C 654	168-1042-78	16V 0.1uF	L 501	010-2279-50	4.7uH	R 620	119-1021-15	1/10W 1k ohm
C 655	168-1042-78	16V 0.1uF	L 502	010-2279-50	4.7uH	R 621	119-1021-15	1/10W 1k ohm
C 656	168-1042-78	16V 0.1uF	L 503	010-2279-50	4.7uH	R 622	119-3911-15	1/10W 390 ohm
C 657	166-7097-50	7pF CH	L 504	010-2279-50	4.7uH	R 623	119-1051-15	1/10W 1M ohm
C 658	166-7097-50	7pF CH	L 601	010-2285-65	BLM11P300SPT	R 624	119-7501-15	1/10W 75 ohm
C 659	168-1042-78	16V 0.1uF	Q 501	125-9002-92	RN4602	R 625	119-7501-15	1/10W 75 ohm
C 660	168-1042-78	16V 0.1uF	Q 502	125-4001-90	XN1504	R 626	119-7501-15	1/10W 75 ohm
C 661	168-1042-78	16V 0.1uF	R 501	119-2201-15	1/10W 22 ohm	R 627	119-7501-15	1/10W 75 ohm
C 662	042-0567-53	6.3V 10uF TAN	R 502	119-3301-15	1/10W 33 ohm	R 628	119-4721-15	1/10W 4.7k ohm
CCT601	050-0140-70	10 ohm x4	R 503	119-3301-15	1/10W 33 ohm	R 629	119-4721-15	1/10W 4.7k ohm
CCT602	050-0140-70	10 ohm x4	R 504	119-2011-15	1/8W 200 ohm	R 630	119-0000-05	1/10W 0 ohm JW
CCT603	050-0140-70	10 ohm x4	R 505	119-1041-15	1/10W 100k ohm	TM 501	073-0768-90	TERMINAL
CCT604	050-0140-59	1/32W 33 ohm x4J	R 506	032-0140-11	1/4W 300 ohm F	TM 601	073-0768-90	TERMINAL
CCT605	050-0140-52	1/32W 100 ohm x4J	R 507	119-4731-15	1/10W 47k ohm	TM 602	073-0768-90	TERMINAL
CCT606	050-0140-59	1/32W 33 ohm x4J	R 508	119-4731-15	1/10W 47k ohm	X 601	061-3523-90	27.0MHz
CCT607	050-0140-59	1/32W 33 ohm x4J	R 509	119-1021-15	1/10W 1k ohm	PWB	039-2471-00	PWB(WITHOUT COMPONENT)
CCT608	050-0140-59	1/32W 33 ohm x4J	R 510	119-3311-15	1/10W 330 ohm			
CCT609	050-0140-59	1/32W 33 ohm x4J	R 511	119-3311-15	1/10W 330 ohm			

## Main PWB (B3) section

Note) Some parts depend on each model. The model name is specified in the description.

REF No.	PART No.	DESCRIPTION	REF No.	PART No.	DESCRIPTION	REF No.	PART No.	DESCRIPTION
ANT201	092-2208-00	ANT-RECEPT	C 169	168-1032-55	0.01uF	C 333	168-1032-55	0.01uF
BL 201	880-2090B	AM/FM TUNER	C 171	168-1032-55	0.01uF	C 334	042-0567-53	6.3V 10uF TAN
C 101	042-0416-57	10V 47uF TAN	C 173	168-1032-55	0.01uF	C 335	168-1042-78	16V 0.1uF
C 102	168-1042-78	16V 0.1uF	C 177	178-1042-78	0.1uF	C 336	168-1032-55	0.01uF
C 103	168-1042-78	16V 0.1uF	C 178	166-1011-50	100pF CH	C 337	168-1042-78	16V 0.1uF
C 104	042-0416-57	10V 47uF TAN	C 201	166-2201-50	22pF CH	C 338	168-1032-55	0.01uF
C 105	168-1042-78	16V 0.1uF	C 202	166-2096-50	2pF CK	C 339	042-0416-57	10V 47uF TAN
C 106	042-0627-90	16V 100uF	C 203	166-2201-50	22pF CH	C 340	189-1083-12	6.3V 1000uF
C 107	168-1042-78	16V 0.1uF	C 204	168-1032-55	0.01uF	C 341	189-1083-12	6.3V 1000uF
C 108	168-1042-78	16V 0.1uF	C 205	188-3353-67	50V 3.3uF	C 342	168-1042-78	16V 0.1uF
C 109	166-1011-50	100pF CH	C 206	168-1032-55	0.01uF	C 343	168-1042-78	16V 0.1uF
C 110	042-0643-51	16V 100uF	C 207	168-2232-55	0.022uF	C 344	168-1042-78	16V 0.1uF
C 111	168-1042-78	16V 0.1uF	C 208	188-4763-37	16V 47uF	C 345	168-1032-55	0.01uF
C 112	168-1042-78	16V 0.1uF	C 209	168-2232-55	0.022uF	C 403	166-1007-50	10pF CH
C 115	042-0643-51	16V 100uF	C 210	168-2232-55	0.022uF	C 404	166-1007-50	10pF CH
C 116	168-1042-78	16V 0.1uF	C 211	168-1022-55	1000pF	C 405	166-1007-50	10pF CH
C 117	168-4732-78	0.047uF	C 212	166-1801-50	18pF CH	C 406	166-1007-50	10pF CH
C 118	168-1042-78	16V 0.1uF	C 213	166-1501-50	15pF CH	C 407	166-1007-50	10pF CH
C 119	168-1032-55	0.01uF	C 214	187-1073-35	16V 100uF	C 408	166-1007-50	10pF CH
C 120	168-1022-55	1000pF	C 215	188-4763-37	16V 47uF	C 409	166-1007-50	10pF CH
C 121	042-0650-00	5.5V 0.1uF	C 216	168-1022-55	1000pF	C 410	166-1007-50	10pF CH
C 122	168-1042-78	16V 0.1uF	C 217	168-2232-55	0.022uF	C 412	042-0416-54	16V 10uF TAN
C 123	042-1531-02	10V 1000uF	C 218	166-1011-50	100pF CH	C 413	042-0416-54	16V 10uF TAN
C 124	168-1032-55	0.01uF	C 219	166-1011-50	100pF CH	C 415	168-1042-78	16V 0.1uF
C 125	042-1577-00	6.3V 100uF	C 220	166-1011-50	100pF CH	C 416	168-1042-78	16V 0.1uF
C 126	168-1032-55	0.01uF	C 221	166-3311-50	33pF CH	C 417	163-1063-35	16V 10uF
C 127	168-1042-78	16V 0.1uF	C 222	188-1053-67	50V 1uF	C 418	168-1042-78	16V 0.1uF
C 128	042-0643-51	16V 100uF	C 223	168-1032-55	0.01uF	C 419	168-1042-78	16V 0.1uF
C 129	168-1042-78	16V 0.1uF	C 224	187-4763-15	6.3V 47uF	C 420	188-1063-37	16V 10uF
C 130	042-0643-51	16V 100uF	C 225	168-1032-55	0.01uF	C 421	168-1042-78	16V 0.1uF
C 131	168-1042-78	16V 0.1uF	C 226	168-2732-55	0.027uF	C 422	189-2273-21	10V 220uF
C 132	168-1042-78	16V 0.1uF	C 227	168-2732-55	0.027uF	C 423	188-2263-17	6.3V 22uF
C 133	188-2263-17	6.3V 22uF	C 301	168-4732-78	0.047uF	C 424	188-2263-17	6.3V 22uF
C 134	168-1042-78	16V 0.1uF	C 302	168-4732-78	0.047uF	C 425	188-2263-17	6.3V 22uF
C 135	042-0643-51	16V 100uF	C 303	188-1063-37	16V 10uF	C 426	188-2263-17	6.3V 22uF
C 136	188-1063-37	16V 10uF	C 304	188-1063-37	16V 10uF	C 427	188-2263-17	6.3V 22uF
C 137	178-1052-78	1uF	C 305	188-1063-37	16V 10uF	C 428	188-2263-17	6.3V 22uF
C 138	168-1042-78	16V 0.1uF	C 306	188-1063-37	16V 10uF	C 429	188-2263-17	6.3V 22uF
C 139	168-1042-78	16V 0.1uF	C 307	188-1063-37	16V 10uF	C 430	188-2263-17	6.3V 22uF
C 140	042-0643-51	16V 100uF	C 308	188-1063-37	16V 10uF	C 431	188-2263-17	6.3V 22uF
C 141	168-1042-78	16V 0.1uF	C 309	188-1063-37	16V 10uF	C 432	188-2263-17	6.3V 22uF
C 142	188-1063-37	16V 10uF	C 310	188-1063-37	16V 10uF	C 433	043-0506-50	0.1uF
C 143	166-1011-50	100pF CH	C 311	187-2263-35	16V 22uF	C 434	188-2263-17	6.3V 22uF
C 144	168-1042-78	16V 0.1uF	C 312	166-3301-50	33pF CH	C 435	188-2263-17	6.3V 22uF
C 145	188-1063-37	16V 10uF	C 313	166-3301-50	33pF CH	C 436	188-2263-17	6.3V 22uF
C 146	188-4763-37	16V 47uF	C 314	166-3301-50	33pF CH	C 437	188-2263-17	6.3V 22uF
C 147	187-1073-35	16V 100uF	C 315	166-3301-50	33pF CH	C 438	043-0506-50	0.1uF
C 148	188-1063-37	16V 10uF	C 316	168-4722-55	4700pF	C 439	178-2242-78	0.22uF
C 149	168-1032-55	0.01uF	C 317	168-4722-55	4700pF	C 440	178-2242-78	0.22uF
C 150	187-2263-35	16V 22uF	C 318	188-2253-67	50V 2.2uF	C 441	178-2242-78	0.22uF
C 151	166-1011-50	100pF CH	C 319	188-2253-67	50V 2.2uF	C 442	178-2242-78	0.22uF
C 152	187-1073-35	16V 100uF	C 320	188-2253-67	50V 2.2uF	C 443	043-0506-50	0.1uF
C 153	189-2273-29	10V 220uF	C 321	188-2253-67	50V 2.2uF	C 444	043-0506-50	0.1uF
C 154	168-1022-55	1000pF	C 322	188-2253-67	50V 2.2uF	C 445	188-4763-37	16V 47uF
C 155	166-1011-50	100pF CH	C 323	188-2253-67	50V 2.2uF	C 446	188-2263-17	6.3V 22uF
C 156	168-1022-55	1000pF	C 324	188-2253-67	50V 2.2uF	C 447	188-2263-17	6.3V 22uF
C 157	168-1022-55	1000pF	C 325	188-2253-67	50V 2.2uF	C 448	187-2263-35	16V 22uF
C 158	168-1022-55	1000pF	C 326	188-2253-67	50V 2.2uF	C 449	166-1011-50	100pF CH
C 162	168-1022-55	1000pF	C 327	188-2253-67	50V 2.2uF	C 450	166-1011-50	100pF CH
C 163	168-1022-55	1000pF	C 328	187-1073-35	16V 100uF	C 451	166-1011-50	100pF CH
C 164	168-1022-55	1000pF	C 329	168-1042-78	16V 0.1uF	C 452	166-1011-50	100pF CH
C 165	168-1022-55	1000pF	C 330	188-1063-37	16V 10uF	C 453	043-0506-50	0.1uF
C 166	168-1022-55	1000pF	C 331	168-1032-55	0.01uF	C 454	043-0506-50	0.1uF
C 167	168-1032-55	0.01uF	C 332	042-0567-53	6.3V 10uF TAN	C 455	043-0506-50	0.1uF

REF No.	PART No.	DESCRIPTION	REF No.	PART No.	DESCRIPTION	REF No.	PART No.	DESCRIPTION
C 456	188-3353-67	50V 3.3uF	D 413	001-2403-90	M1F60	Q 101	190-1298-00	2SA1298
C 457	043-0506-50	0.1uF	D 414	001-2403-90	M1F60	Q 102	125-2199-96	KRC106S
C 458	172-2231-15	0.022uF	D 415	001-2403-90	M1F60	Q 103	190-1162-00	2SA1162
C 459	042-1447-00	16V 2200	D 416	001-0466-91	S5688G	Q 104	125-2199-93	KRC103S
C 460	166-4711-50	470pF CH	D 417	001-0592-61	IN5404	Q 105	125-2199-93	KRC103S
C 461	166-4711-50	470pF CH	IC 101	051-7243-48	SN74AHCT1G-08DCKR	Q 108	190-1298-00	2SA1298
C 462	166-4711-50	470pF CH				Q 109	125-2199-93	KRC103S
C 463	166-4711-50	470pF CH	IC 102	051-3246-90	BA033FP	Q 110	190-1298-00	2SA1298
C 464	166-4711-50	470pF CH	IC 103	052-3392-01	M30622MEP-168GP	Q 111	125-2199-96	KRC106S
C 465	166-4711-50	470pF CH	IC 104	051-3271-91	PQ070XZ01ZP	Q 112	190-1162-00	2SA1162
C 466	166-4711-50	470pF CH	IC 105	051-3226-90	PQ1CZ1T	Q 113	192-2712-00	2SC2712
C 467	166-4711-50	470pF CH	IC 106	051-3333-00	NJM2396F05	Q 114	101-1143-00	2SB1143
D 101	001-0516-90	MA111	IC 107	051-5446-08	BD4843G-TR	Q 115	125-2199-93	KRC103S
D 102	001-0516-90	MA111	IC 108	051-5437-08	S-80821CNMC-B8G-T2	Q 116	190-1162-00	2SA1162
D 103	001-2602-90	U3FWK44N-T146				Q 117	191-1237-00	2SB1237
D 104	001-0466-90	S5688B	IC 109	051-3334-00	NJM2396F09	Q 118	125-2199-93	KRC103S
D 105	001-0516-90	MA111	IC 110	051-6600-58	HA12187FP-EL	Q 119	191-1237-00	2SB1237
D 106	001-0516-90	MA111	IC 111	051-3297-00	BA4916	Q 120	125-2199-93	KRC103S
D 107	001-0516-90	MA111	IC 112	051-1905-91	AN77L05M	Q 121	193-1858-00	2SD1858
D 108	001-0516-90	MA111	IC 201	051-6212-08	LC72191JM-TLM	Q 122	125-2038-92	RN1902
D 109	001-0516-90	MA111	IC 301	051-3034-90	NJM4558V	Q 123	125-2038-92	RN1902
D 110	001-0466-91	S5688G	IC 302	051-3034-90	NJM4558V	Q 124	125-2038-92	RN1902
D 111	001-0516-90	MA111	IC 303	051-5030-90	M61523FP-D60T	Q 125	125-2199-93	KRC103S
D 112	001-0466-90	S5688B	IC 304	051-5331-90	MM1228XFBE	Q 126	125-2199-93	KRC103S
D 113	001-0516-90	MA111	IC 305	051-5331-90	MM1228XFBE	Q 129	125-2199-93	KRC103S
D 114	001-0516-90	MA111	IC 402	051-3034-90	NJM4558V	Q 130	125-2199-93	KRC103S
D 115	001-0466-91	S5688G	IC 403	051-5834-90	uPC5701GR-028-8JG-E2	Q 201	192-2712-51	2SC2712G,L
D 116	001-4102-90	U5ZA27C TE24R				Q 202	192-2712-51	2SC2712G,L
D 117	001-0529-41	MA8075M	IC 404	051-2050-01	LA47532-S	Q 203	125-2199-93	KRC103S
D 118	001-0529-41	MA8075M	J 101	075-0385-00	JACK	Q 204	190-1162-00	2SA1162
D 119	001-0529-41	MA8075M	J 102	074-1189-90	40P	Q 205	190-1162-00	2SA1162
D 120	001-0529-41	MA8075M	J 103	074-1217-50	12P	Q 402	125-2199-96	KRC106S
D 121	001-0529-41	MA8075M	J 104	074-1201-68	18P	Q 403	192-2712-00	2SC2712
D 122	001-0529-41	MA8075M	J 105	074-1194-00	13P(Ce-NET)	Q 404	125-0199-96	KRA106S
D 123	001-0529-41	MA8075M	J 401	074-1214-00	16P	Q 405	125-2199-96	KRC106S
D 124	001-0529-41	MA8075M	L 101	010-2285-65	BLM11P300SPT	Q 406	125-0199-96	KRA106S
D 125	001-0529-41	MA8075M	L 102	010-3100-66	2.2uH	Q 407	193-1306-00	2SD1306
D 126	001-0529-41	MA8075M	L 103	010-3100-66	2.2uH	Q 408	193-1306-00	2SD1306
D 127	001-0529-41	MA8075M	L 104	010-3100-66	2.2uH	Q 409	193-1306-00	2SD1306
D 128	001-0529-41	MA8075M	L 106	010-6019-00	100uH	Q 410	193-1306-00	2SD1306
D 129	001-0529-41	MA8075M	L 107	010-2285-61	BLM21P300	Q 411	193-1306-00	2SD1306
D 130	001-0529-41	MA8075M	L 108	010-2230-76	22uH	Q 412	193-1306-00	2SD1306
D 131	001-0529-41	MA8075M	L 109	010-2230-80	47uH	Q 413	193-1306-00	2SD1306
D 132	001-0529-41	MA8075M	L 110	010-2230-84	100uH	Q 414	193-1306-00	2SD1306
D 133	001-0529-41	MA8075M	L 201	010-2003-04	COIL	Q 415	193-1306-00	2SD1306
D 134	001-0529-41	MA8075M	L 202	010-2230-88	220uH	Q 416	193-1306-00	2SD1306
D 135	001-0529-41	MA8075M	L 301	010-2279-50	4.7uH	Q 417	193-1306-00	2SD1306
D 136	001-0529-56	MA8120M	L 401	010-2230-76	22uH	Q 418	193-1306-00	2SD1306
D 137	001-0529-41	MA8075M	L 402	010-2285-58	BLM21A102FPB	R 101	119-2211-15	1/10W 220 ohm
D 138	001-0529-41	MA8075M	L 403	010-2285-58	BLM21A102FPB	R 102	119-1811-15	1/10W 180 ohm
D 139	001-0529-41	MA8075M	L 404	010-2285-58	BLM21A102FPB	R 103	119-1811-15	1/10W 180 ohm
D 301	001-0367-91	1SS226	L 405	010-2285-58	BLM21A102FPB	R 104	119-1811-15	1/10W 180 ohm
D 302	001-0367-91	1SS226	L 406	010-2285-58	BLM21A102FPB	R 105	119-1011-15	1/10W 100 ohm
D 401	001-0516-90	MA111	L 407	010-2285-58	BLM21A102FPB	R 106	119-4721-15	1/10W 4.7K ohm
D 402	001-0516-90	MA111	L 408	010-2285-58	BLM21A102FPB	R 107	119-1031-15	1/10W 10K ohm
D 403	001-0529-43	MA8082L	L 409	010-2285-58	BLM21A102FPB			(PE2630K-E)
D 404	001-0516-90	MA111	L 410	010-2285-58	BLM21A102FPB	R 108	119-1031-15	1/10W 10K ohm
D 405	001-0516-90	MA111	L 411	010-2285-58	BLM21A102FPB			(PE-2630K-D,K-F)
D 406	001-0516-90	MA111	L 412	010-2285-58	BLM21A102FPB	R 109	119-1031-15	1/10W 10K ohm
D 407	001-0516-90	MA111	L 413	010-2285-58	BLM21A102FPB			(PE-2630K-F)
D 408	001-2403-90	M1F60	L 414	010-3105-62	MMZ1608S1	R 110	119-1031-15	1/10W 10K ohm
D 409	001-2403-90	M1F60	L 415	010-3105-62	MMZ1608S1			(PE-2630K-D,K-E)
D 410	001-2403-90	M1F60	L 416	010-3105-62	MMZ1608S1	R 111	116-1521-15	1/4W 1.5K ohm
D 411	001-2403-90	M1F60	L 417	010-3105-62	MMZ1608S1	R 112	119-1031-15	1/10W 10K ohm
D 412	001-2403-90	M1F60	P 101	076-0438-02	PLUG(2P)			(PE-2630K-E,K-F)

REF No.	PART No.	DESCRIPTION	REF No.	PART No.	DESCRIPTION	REF No.	PART No.	DESCRIPTION
R 113	119-1031-15	1/10W 10K ohm (PE-2630K-D)	R 179	119-1031-15	1/10W 10K ohm	R 420	119-0000-05	1/10W 0 ohm JW
R 114	119-1031-15	1/10W 10K ohm	R 180	119-1041-15	1/10W 100K ohm	R 421	119-2231-15	1/10W 22K ohm
R 115	119-1031-15	1/10W 10K ohm (PE-2630K-E,K-F)	R 201	119-2221-15	1/10W 2.2K ohm	R 423	119-0000-05	1/10W 0 ohm JW
R 116	119-1031-15	1/10W 10K ohm (PE-2630K-D)	R 202	119-1021-15	1/10W 1K ohm	R 424	119-0000-05	1/10W 0 ohm JW
R 117	119-1031-15	1/10W 10K ohm (PE-2630K-D)	R 203	119-1021-15	1/10W 1K ohm	R 425	119-1021-15	1/10W 1K ohm
R 118	119-1031-15	1/10W 10K ohm (PE-2630K-E,K-F)	R 204	119-1031-15	1/10W 10K ohm	R 426	119-1041-15	1/10W 100K ohm
R 119	119-3321-15	1/10W 3.3K ohm	R 205	119-1021-15	1/10W 1K ohm	R 427	119-1241-15	1/10W 120K ohm
R 120	119-1031-15	1/10W 10K ohm	R 206	119-4741-15	1/10W 470K ohm	R 428	119-1021-15	1/10W 1K ohm
R 121	119-1031-15	1/10W 10K ohm	R 207	119-1021-15	1/10W 1K ohm	R 429	119-1221-15	1/10W 1.2K ohm
R 122	119-4721-15	1/10W 4.7K ohm	R 208	119-1231-15	1/10W 12K ohm	R 430	119-1021-15	1/10W 1K ohm
R 123	119-4721-15	1/10W 4.7K ohm	R 209	119-5631-15	1/10W 56K ohm	R 431	119-8221-15	1/10W 8.2K ohm
R 124	032-0140-88	1/10W 100K ohm F	R 210	119-1041-15	1/10W 100K ohm	R 432	119-3931-15	1/10W 39K ohm
R 125	032-0140-93	1/4W 2K ohm F	R 211	119-3331-15	1/10W 33K ohm	R 434	119-2231-15	1/10W 22K ohm
R 126	032-0140-62	1/10W 1K ohm F	R 212	119-1021-15	1/10W 1K ohm	R 435	119-2231-15	1/10W 22K ohm
R 127	119-2231-15	1/10W 22K ohm	R 213	119-1021-15	1/10W 1K ohm	R 436	119-2231-15	1/10W 22K ohm
R 129	032-0106-75	1/8W 3K ohm D	R 214	119-1021-15	1/10W 1K ohm	R 437	119-2231-15	1/10W 22K ohm
R 130	032-0106-62	1/8W 1K ohm D	R 215	119-0000-05	1/10W 0 ohm JW	R 438	119-2231-15	1/10W 22K ohm
R 131	119-2231-15	1/10W 22K ohm	R 216	119-1031-15	1/10W 10K ohm	R 439	119-2231-15	1/10W 22K ohm
R 132	119-4731-15	1/10W 47K ohm	R 217	119-1521-15	1/10W 1.5K ohm	R 440	119-2231-15	1/10W 22K ohm
R 133	119-1031-15	1/10W 10K ohm	R 218	119-0000-05	1/10W 0 ohm JW	R 441	119-2231-15	1/10W 22K ohm
R 134	119-5121-15	1/10W 5.1K ohm	R 219	119-1031-15	1/10W 10K ohm	R 442	119-2231-15	1/10W 22K ohm
R 136	119-1031-15	1/10W 10K ohm (PE-2630K-D,K-E)	R 220	119-1031-15	1/10W 10K ohm	R 443	119-2231-15	1/10W 22K ohm
R 137	119-1031-15	1/10W 10K ohm (PE-2630K-F)	R 221	119-1521-15	1/10W 1.5K ohm	R 444	119-1231-15	1/10W 12K ohm
R 139	119-1031-15	1/10W 10K ohm	R 301	119-1041-15	1/10W 100K ohm	R 445	119-3311-15	1/10W 330 ohm
R 145	119-1031-15	1/10W 10K ohm	R 302	119-1021-15	1/10W 1K ohm	R 446	119-3311-15	1/10W 330 ohm
R 146	119-1031-15	1/10W 10K ohm	R 303	119-1021-15	1/10W 1K ohm	R 447	119-3311-15	1/10W 330 ohm
R 147	119-1031-15	1/10W 10K ohm	R 304	119-1041-15	1/10W 100K ohm	R 448	119-3311-15	1/10W 330 ohm
R 148	119-4731-15	1/10W 47K ohm	R 305	032-0140-95	1/4W 20K ohm F	R 449	119-3311-15	1/10W 330 ohm
R 149	119-1821-15	1/10W 1.8K ohm	R 306	032-0140-95	1/4W 20K ohm F	R 450	119-3311-15	1/10W 330 ohm
R 150	119-1031-15	1/10W 10K ohm	R 307	032-0140-95	1/4W 20K ohm F	R 451	119-3311-15	1/10W 330 ohm
R 151	119-1041-15	1/10W 100K ohm	R 308	032-0140-95	1/4W 20K ohm F	R 452	119-3311-15	1/10W 330 ohm
R 152	119-5621-15	1/10W 5.6K ohm	R 309	032-0140-89	1/4W 47K ohm F	R 453	119-3311-15	1/10W 330 ohm
R 153	119-1021-15	1/10W 1K ohm	R 310	032-0140-89	1/4W 47K ohm F	R 454	119-3311-15	1/10W 330 ohm
R 154	119-3321-15	1/10W 3.3K ohm	R 311	032-0140-89	1/4W 47K ohm F	R 455	119-2291-15	1/10W 2.2 ohm
R 155	119-1531-15	1/10W 15K ohm	R 312	032-0140-89	1/4W 47K ohm F	R 456	119-2291-15	1/10W 2.2 ohm
R 156	119-1031-15	1/10W 10K ohm	R 313	119-0000-05	1/10W 0 ohm JW	R 457	119-2291-15	1/10W 2.2 ohm
R 157	119-4731-15	1/10W 47K ohm	R 314	032-0140-51	1/10W 15K ohm F	R 458	119-1021-15	1/10W 1K ohm
R 158	119-1801-15	1/10W 18 ohm	R 315	032-0140-51	1/10W 15K ohm F	R 459	119-1021-15	1/10W 1K ohm
R 159	119-4731-15	1/10W 47K ohm	R 316	032-0140-89	1/4W 47K ohm F	R 460	119-1021-15	1/10W 1K ohm
R 160	119-1031-15	1/10W 10K ohm	R 317	032-0140-89	1/4W 47K ohm F	R 461	119-1021-15	1/10W 1K ohm
R 161	119-1041-15	1/10W 100K ohm	R 318	032-0140-51	1/10W 15K ohm F	R 462	119-1021-15	1/10W 1K ohm
R 162	116-1221-15	1/4W 1.2K ohm	R 319	032-0140-89	1/4W 47K ohm F	R 463	119-2291-15	1/10W 2.2 ohm
R 163	119-1041-15	1/10W 100K ohm	R 320	032-0140-51	1/10W 15K ohm F	R 464	119-1021-15	1/10W 1K ohm
R 164	119-1031-15	1/10W 10K ohm	R 321	032-0140-89	1/4W 47K ohm F	R 465	119-1021-15	1/10W 1K ohm
R 165	119-4721-15	1/10W 4.7K ohm	R 322	119-1021-15	1/10W 1K ohm	R 466	119-1021-15	1/10W 1K ohm
R 166	119-5621-15	1/10W 5.6K ohm	R 323	119-1021-15	1/10W 1K ohm	R 467	119-1021-15	1/10W 1K ohm
R 167	116-1221-15	1/4W 1.2K ohm	R 324	119-1021-15	1/10W 1K ohm	R 468	119-2231-15	1/10W 22K ohm
R 168	119-1031-15	1/10W 10K ohm	R 325	119-1021-15	1/10W 1K ohm	R 469	119-2231-15	1/10W 22K ohm
R 169	119-5631-15	1/10W 56K ohm	R 326	119-4721-15	1/10W 4.7K ohm	R 470	119-2291-15	1/10W 2.2 ohm
R 170	119-3311-15	1/10W 330 ohm	R 327	119-4721-15	1/10W 4.7K ohm	R 471	119-1031-15	1/10W 10K ohm
R 171	119-2231-15	1/10W 22K ohm	R 328	119-1031-15	1/10W 10K ohm	R 472	119-3311-15	1/10W 330 ohm
R 172	116-1521-15	1/4W 1.5K ohm	R 329	032-0140-12	1/4W 75 ohm F	R 473	119-3311-15	1/10W 330 ohm
R 173	116-6801-15	1/4W 68 ohm	R 330	032-0140-12	1/4W 75 ohm F	R 474	119-2291-15	1/10W 2.2 ohm
R 174	119-4731-15	1/10W 47K ohm	R 331	119-4731-15	1/10W 47K ohm	R 475	119-2291-15	1/10W 2.2 ohm
R 175	119-4731-15	1/10W 47K ohm	R 332	119-4731-15	1/10W 47K ohm	R 476	119-2291-15	1/10W 2.2 ohm
R 176	119-4731-15	1/10W 47K ohm	R 402	119-1831-15	1/10W 18K ohm	R 477	119-1021-15	1/10W 1K ohm
R 177	119-0000-05	1/10W 0 ohm JW	R 403	119-1831-15	1/10W 18K ohm	R 478	119-1021-15	1/10W 1K ohm
R 178	119-4731-15	1/10W 47K ohm	R 404	119-4711-15	1/10W 470 ohm	S 101	013-6103-00	SWITCH
			R 405	119-4711-15	1/10W 470 ohm	SUP201	060-0122-20	DSP-141N9S00B
			R 406	119-4711-15	1/10W 470 ohm	T 401	009-9006-60	0.23mH
			R 407	119-4711-15	1/10W 470 ohm	X 101	060-1505-50	10MHz
			R 408	119-4711-15	1/10W 470 ohm	X 201	061-1066-00	7.2MHz
			R 409	119-4711-15	1/10W 470 ohm	PWB	039-2470-00	PWB(WITHOUT COMPONENT)
			R 415	119-1021-15	1/10W 1K ohm			
			R 416	119-8221-15	1/10W 8.2K ohm			

Mechanism PWB (B4) section

REF No.	PART No.	DESCRIPTION	REF No.	PART No.	DESCRIPTION	REF No.	PART No.	DESCRIPTION
C 101	043-0519-50	0.1uF	C 305	043-0519-50	0.1uF	C 511	042-0636-51	16V 47uF
C 102	043-0519-50	0.1uF	C 306	043-0519-50	0.1uF	C 512	042-0636-56	4V 100uF
C 103	043-0519-50	0.1uF	C 307	045-1007-50	10pF	C 513	042-0636-56	4V 100uF
C 104	043-0519-50	0.1uF	C 308	046-2222-58	2200pF	C 514	042-0636-50	6.3V 100uF
C 105	043-0519-50	0.1uF	C 309	046-1032-78	0.01uF	C 515	046-1032-78	0.01uF
C 106	043-0519-50	0.1uF	C 311	046-3322-58	3300pF	C 516	042-0636-56	4V 100uF
C 107	042-0416-52	10V 10uF M TAN	C 312	045-3096-50	3pF	C 517	043-0311-20	1uF
C 108	046-2222-58	2200pF	C 313	046-6822-58	6800pF	C 518	046-1032-78	0.01uF
C 109	043-0519-50	0.1uF	C 314	042-0416-52	10V 10uF M TAN	C 519	168-1042-78	16V 0.1uF
C 110	042-0636-50	6.3V 100uF	C 315	043-0550-90	0.15uF	C 520	042-0636-56	4V 100uF
C 111	042-0636-50	6.3V 100uF	C 316	045-1011-50	100pF	C 521	042-0636-56	4V 100uF
C 112	042-0636-50	6.3V 100uF	C 317	043-0519-50	0.1uF	C 522	045-3096-50	3pF
C 113	046-2232-78	0.022uF	C 318	043-0519-50	0.1uF	C 523	045-3096-50	3pF
C 114	046-1032-78	0.01uF	C 319	043-0519-50	0.1uF	C 524	168-1042-78	16V 0.1uF
C 115	046-1032-78	0.01uF	C 322	046-3312-58	330pF	C 525	043-0311-20	1uF
C 116	046-1032-78	0.01uF	C 323	046-3312-58	330pF	C 526	043-0519-50	0.1uF
C 117	168-1042-78	16V 0.1uF	C 324	046-3312-58	330pF	C 527	043-0519-50	0.1uF
C 118	042-0416-52	10V 10uF M TAN	C 325	046-3312-58	330pF	C 530	168-1042-78	16V 0.1uF
C 119	043-0519-50	0.1uF	C 326	046-1032-78	0.01uF	C 531	168-1042-78	16V 0.1uF
C 120	046-1022-58	1000pF	C 327	043-0519-50	0.1uF	C 532	168-1042-78	16V 0.1uF
C 121	046-3312-58	330pF	C 328	043-0519-50	0.1uF	C 533	042-0416-52	10V 10uF M TAN
C 122	168-1042-78	16V 0.1uF	C 329	043-0519-50	0.1uF	C 534	043-0311-20	1uF
C 123	046-6822-58	6800pF	C 330	043-0519-50	0.1uF	C 535	042-0416-52	10V 10uF M TAN
C 124	046-6822-58	6800pF	C 331	043-0519-50	0.1uF	CCT301	050-0122-60	1/10W 33 ohmx4 J
C 125	046-1032-78	0.01uF	C 332	046-1032-78	0.01uF	CCT302	050-0122-60	1/10W 33 ohmx4 J
C 126	046-1032-78	0.01uF	C 333	046-3312-58	330pF	CCT303	050-0122-60	1/10W 33 ohmx4 J
C 127	046-1032-78	0.01uF	C 337	042-0416-52	10V 10uF M TAN	CCT304	050-0122-60	1/10W 33 ohmx4 J
C 128	046-1032-78	0.01uF	C 341	043-0519-50	0.1uF	CCT305	050-0122-60	1/10W 33 ohmx4 J
C 129	046-2212-58	220pF	C 342	043-0519-50	0.1uF	CCT306	050-0122-60	1/10W 33 ohmx4 J
C 130	043-0519-50	0.1uF	C 343	043-0519-50	0.1uF	CCT307	050-0122-60	1/10W 33 ohmx4 J
C 131	043-0519-50	0.1uF	C 344	043-0519-50	0.1uF	CCT308	050-0122-60	1/10W 33 ohmx4 J
C 132	042-0397-50	16V 1uF TAN	C 345	043-0519-50	0.1uF	CCT501	050-0122-60	1/10W 33 ohmx4 J
C 133	043-0519-50	0.1uF	C 346	043-0519-50	0.1uF	CCT502	050-0122-60	1/10W 33 ohmx4 J
C 134	043-0519-50	0.1uF	C 347	043-0519-50	0.1uF	CCT503	050-0122-60	1/10W 33 ohmx4 J
C 135	046-1032-78	0.01uF	C 348	043-0519-50	0.1uF	CCT504	050-0122-60	1/10W 33 ohmx4 J
C 136	168-1042-78	16V 0.1uF	C 349	043-0519-50	0.1uF	CCT505	050-0122-60	1/10W 33 ohmx4 J
C 137	168-1042-78	16V 0.1uF	C 350	043-0519-50	0.1uF	D 101	001-0367-91	1SS226
C 138	168-1042-78	16V 0.1uF	C 351	043-0519-50	0.1uF	D 102	001-0367-91	1SS226
C 139	168-1042-78	16V 0.1uF	C 352	043-0519-50	0.1uF	D 201	001-7057-90	AN1105W-T
C 140	042-0397-54	10V 2.2uF TAN	C 353	043-0519-50	0.1uF	D 202	001-7057-90	AN1105W-T
C 141	042-0636-50	6.3V 100uF	C 354	043-0519-50	0.1uF	D 301	001-0356-96	1SS181
C 150	178-1052-78	10V 1uF	C 355	043-0519-50	0.1uF	IC 101	051-5714-00	TA1363AFG
C 151	178-1052-78	10V 1uF	C 356	043-0519-50	0.1uF	IC 204	051-6076-90	BD7902CFS
C 203	168-1042-78	16V 0.1uF	C 357	043-0519-50	0.1uF	IC 205	051-3347-90	NJM2880UO5
C 213	168-1042-78	16V 0.1uF	C 358	043-0519-50	0.1uF	IC 206	051-7255-38	TC7W66FU
C 214	168-1042-78	16V 0.1uF	C 361	043-0311-20	1uF	IC 207	051-7263-38	TC7SET04FU
C 215	168-1042-78	16V 0.1uF	C 362	043-0311-20	1uF	IC 208	051-7263-38	TC7SET04FU
C 216	043-0519-50	0.1uF	C 363	043-0311-20	1uF	IC 301	051-6710-00	TC94A11F
C 217	168-1042-78	16V 0.1uF	C 364	168-1042-78	16V 0.1uF	IC 501	052-5066-00	TMP91GW12AFG
C 218	168-1042-78	16V 0.1uF	C 366	042-0416-52	10V 10uF M TAN	IC 502	051-9419-08	BR24L02FVM-WTR
C 221	168-1042-78	16V 0.1uF	C 367	045-3301-50	33pF	IC 504	051-5418-18	BD4827G
C 222	168-1042-78	16V 0.1uF	C 368	045-3301-50	33pF	IC 505	051-9320-50	MSM56V161
C 223	168-1042-78	16V 0.1uF	C 397	045-1201-50	12pF	IC 508	051-3263-90	NJU7200U33
C 224	168-1042-78	16V 0.1uF	C 501	043-0519-50	0.1uF	IC 509	051-3346-90	NJM2885DL1-05
C 225	043-0519-50	0.1uF	C 502	043-0519-50	0.1uF	IC 510	051-7226-38	SN74AHC1G00-DCK
C 226	043-0519-50	0.1uF	C 503	043-0519-50	0.1uF	IC 511	051-7222-08	TC7SH08F-EL
C 227	046-1032-78	0.01uF	C 504	043-0519-50	0.1uF	IC 512	051-7243-08	TC7SET08F-TE85L
C 228	178-1052-78	10V 1uF	C 505	043-0519-50	0.1uF	IC 513	051-7243-08	TC7SET08F-TE85L
C 229	178-1052-78	10V 1uF	C 506	043-0519-50	0.1uF	IC 515	051-7222-08	TC7SH08F-EL
C 301	043-0519-50	0.1uF	C 507	043-0519-50	0.1uF			
C 302	045-1007-50	10pF	C 508	043-0519-50	0.1uF			
C 303	043-0519-50	0.1uF	C 509	043-0519-50	0.1uF			
C 304	045-1007-50	10pF	C 510	042-0636-50	6.3V 100uF			

REF No.	PART No.	DESCRIPTION	REF No.	PART No.	DESCRIPTION	REF No.	PART No.	DESCRIPTION
J 101	074-1059-80	30P	R 311	033-1031-15	1/16W 10k ohm	R 505	033-1041-15	1/16W 100k ohm
J 201	074-1059-74	24P	R 312	033-1541-15	1/16W 150k ohm	R 506	033-4731-15	1/16W 47k ohm
J 501	074-1201-68	18P	R 313	032-0150-50	1/16W 10k ohm F	R 507	033-4731-15	1/16W 47k ohm
L 502	010-2275-52	3.3uH	R 314	032-0150-59	1/16W 100k ohm F	R 508	033-4721-15	1/16W 4.7k ohm
Q 101	131-1188-50	2SB1188PQR	R 315	033-0000-05	1/16W 0 ohm	R 509	033-4721-15	1/16W 4.7k ohm
Q 102	131-1188-50	2SB1188PQR	R 316	032-0150-58	1/16W 51k ohm F	R 510	033-1041-15	1/16W 100k ohm
R 101	033-1001-15	1/16W 10 ohm	R 317	032-0150-54	1/16W 1k ohm F	R 511	033-1041-15	1/16W 100k ohm
R 102	033-1001-15	1/16W 10 ohm	R 318	032-0150-53	1/16W 33k ohm F	R 512	033-4731-15	1/16W 47k ohm
R 103	033-1021-15	1/16W 1k ohm	R 319	033-5621-15	1/16W 5.6k ohm	R 513	033-4731-15	1/16W 47k ohm
R 104	033-1021-15	1/16W 1k ohm	R 323	033-1041-15	1/16W 100k ohm	R 514	033-4731-15	1/16W 47k ohm
R 105	033-1031-15	1/16W 10k ohm	R 324	033-4731-15	1/16W 47k ohm	R 515	033-1041-15	1/16W 100k ohm
R 111	033-1031-15	1/16W 10k ohm	R 325	033-1031-15	1/16W 10k ohm	R 516	033-1041-15	1/16W 100k ohm
R 112	033-5601-15	1/16W 56 ohm	R 326	033-1031-15	1/16W 10k ohm	R 517	033-1041-15	1/16W 100k ohm
R 113	033-5601-15	1/16W 56 ohm	R 327	033-1031-15	1/16W 10k ohm	R 518	033-1041-15	1/16W 100k ohm
R 114	033-1041-15	1/16W 100k ohm	R 328	033-1031-15	1/16W 10k ohm	R 521	033-1021-15	1/16W 1k ohm
R 201	033-1021-15	1/16W 1k ohm	R 329	033-3331-15	1/16W 33k ohm	R 522	033-1021-15	1/16W 1k ohm
R 202	033-1021-15	1/16W 1k ohm	R 330	033-1031-15	1/16W 10k ohm	R 523	033-4731-15	1/16W 47k ohm
R 203	033-1211-15	1/16W 120 ohm	R 331	033-1021-15	1/16W 1k ohm	R 524	033-1041-15	1/16W 100k ohm
R 204	033-1211-15	1/16W 120 ohm	R 332	033-1021-15	1/16W 1k ohm	R 525	033-1021-15	1/16W 1k ohm
R 208	116-1091-15	1/4W 1 ohm	R 333	033-1021-15	1/16W 1k ohm	R 526	033-1021-15	1/16W 1k ohm
R 209	116-1091-15	1/4W 1 ohm	R 334	033-1021-15	1/16W 1k ohm	R 531	033-1031-15	1/16W 10k ohm
R 211	033-1031-15	1/16W 10k ohm	R 335	033-1051-15	1/16W 1M ohm	R 532	033-1031-15	1/16W 10k ohm
R 218	116-1091-15	1/4W 1 ohm	R 336	033-0000-05	1/16W 0 ohm	R 533	033-1031-15	1/16W 10k ohm
R 220	116-1091-15	1/4W 1 ohm	R 337	033-2211-15	1/16W 220 ohm	R 534	033-1031-15	1/16W 10k ohm
R 250	033-3331-15	1/16W 33k ohm	R 338	033-2211-15	1/16W 220 ohm	R 535	033-1031-15	1/16W 10k ohm
R 251	033-1241-15	1/16W 120k ohm	R 339	033-3331-15	1/16W 33k ohm	R 541	033-2201-15	1/16W 22 ohm
R 252	033-1031-15	1/16W 10k ohm	R 341	033-3931-15	1/16W 39k ohm	R 542	033-8201-15	1/16W 82 ohm
R 253	033-4731-15	1/16W 47k ohm	R 342	033-1031-15	1/16W 10k ohm	R 543	033-8201-15	1/16W 82 ohm
R 254	033-1031-15	1/16W 10k ohm	R 343	033-1031-15	1/16W 10k ohm	R 544	033-8201-15	1/16W 82 ohm
R 255	033-3321-15	1/16W 3.3k ohm	R 344	033-0000-05	1/16W 0 ohm	R 545	033-1031-15	1/16W 10k ohm
R 301	033-1511-15	1/16W 150 ohm	R 347	033-3301-15	1/16W 33 ohm	R 546	033-2201-15	1/16W 22 ohm
R 302	033-4721-15	1/16W 4.7k ohm	R 348	033-3301-15	1/16W 33 ohm	R 547	033-8201-15	1/16W 82 ohm
R 303	033-1021-15	1/16W 1k ohm	R 349	033-3301-15	1/16W 33 ohm	R 550	033-4731-15	1/16W 47k ohm
R 304	033-1031-15	1/16W 10k ohm	R 350	033-2211-15	1/16W 220 ohm	R 553	033-4731-15	1/16W 47k ohm
R 305	033-1531-15	1/16W 15k ohm	R 351	033-2211-15	1/16W 220 ohm	R 555	033-4731-15	1/16W 47k ohm
R 306	033-4731-15	1/16W 47k ohm	R 352	033-2211-15	1/16W 220 ohm	S 201	013-7412-50	SPVG210100
R 307	033-4711-15	1/16W 470 ohm	R 356	033-0000-05	1/16W 0 ohm	X 301	060-1544-90	22.579MHz
R 308	033-4711-15	1/16W 470 ohm	R 397	033-3311-15	1/16W 330 ohm	X 501	060-1543-90	20.0MHz
R 309	033-5631-15	1/16W 56k ohm	R 503	033-1531-15	1/16W 15k ohm	PWB	039-2575-20	PWB(WITHOUT COMPONENT)
R 310	033-1031-15	1/16W 10k ohm	R 504	033-1531-15	1/16W 15k ohm			