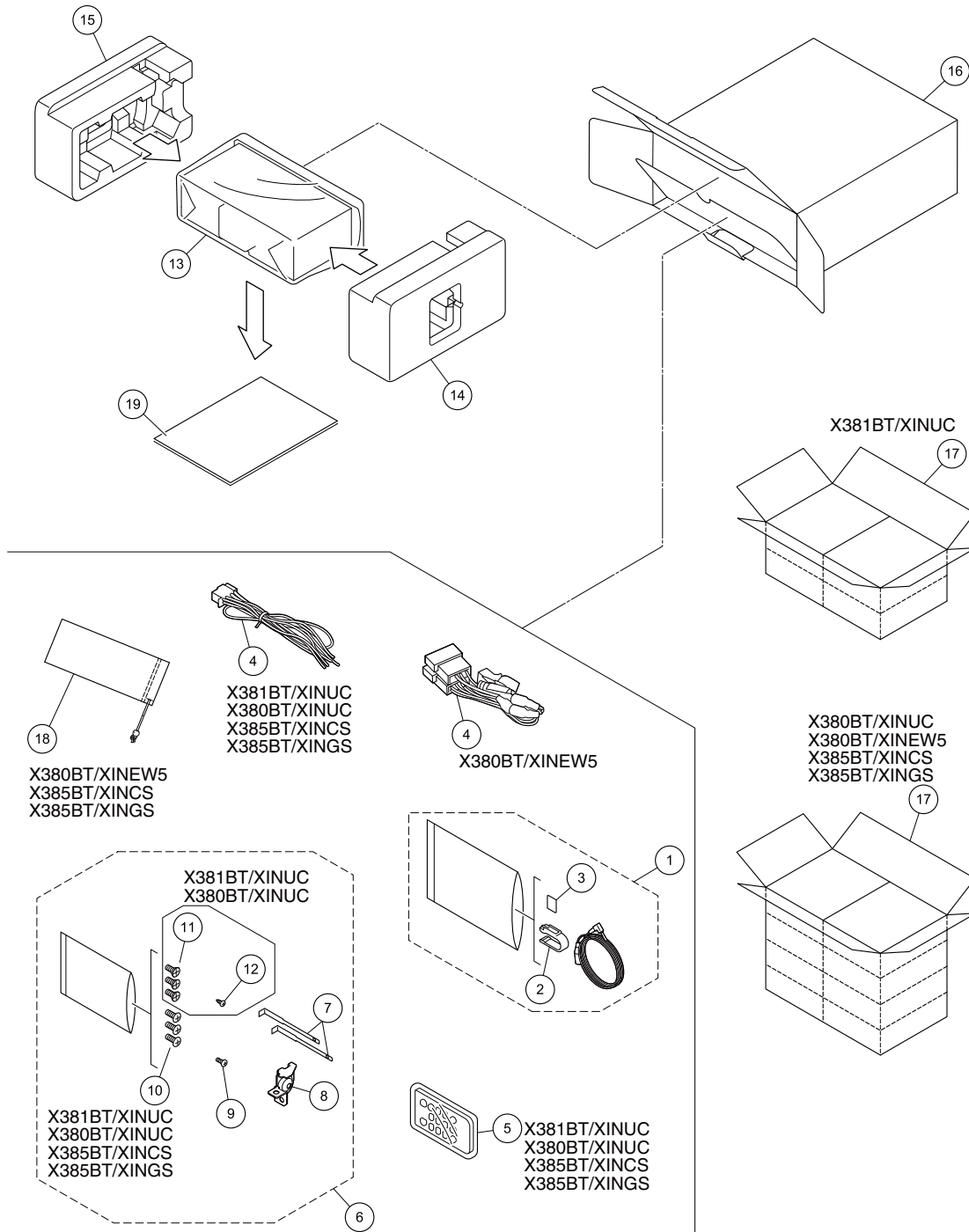


9. EXPLODED VIEWS AND PARTS LIST

- NOTES :
- Parts marked by "*" are generally unavailable because they are not in our Master Spare Parts List.
 - The ⚠ mark found on some component parts indicates the importance of the safety factor of the part. Therefore, when replacing, be sure to use parts of identical designation.
 - Screw adjacent to ▽ mark on the product are used for disassembly.
 - For the applying amount of lubricants or glue, follow the instructions in this manual.
(In the case of no amount instructions, apply as you think it appropriate.)

9.1 PACKING



(1) PACKING SECTION PARTS LIST

<u>Mark No.</u>	<u>Description</u>	<u>Part No.</u>	<u>Mark No.</u>	<u>Description</u>	<u>Part No.</u>
1	Microphone Assy	CPM1083	11	Screw	See Contrast table (2)
2	Holder	CZN7192	12	Screw	See Contrast table (2)
3	Cushion	CZN7193	13	Polyethylene Bag	CEG1260
4	Cord Assy	See Contrast table (2)	14	Protector	QHP3042
5	Card Remote Control Unit	See Contrast table (2)	15	Protector	QHP3043
6	Accessory Assy	See Contrast table (2)	16	Unit Box	See Contrast table (2)
7	Handle	QNC3119	17	Contain Box	See Contrast table (2)
8	Bracket	QNC3086	18	Detach Grille Case	See Contrast table (2)
9	Screw	BSZ26P060FTC	19-1	Owner's Manual	See Contrast table (2)
10	Screw	See Contrast table (2)	* 19-2	Warranty Card	See Contrast table (2)

(2) CONTRAST TABLE

MVH-X381BT/XINUC, MVH-X380BT/XINUC, MVH-X380BT/XINEW5, MVH-X385BT/XINCS and MVH-X385BT/XINGS are constructed the same except for the following:

Mark	No.	Description	MVH-X381BT/XINUC	MVH-X380BT/XINUC	MVH-X380BT/XINEW5
	4	Cord Assy	CDP1480	CDP1480	QDP3071
	5	Card Remote Control Unit	QXE1044	QXE1044	Not used
	6	Accessory Assy	QEA3320	QEA3320	QEA3318
	10	Screw	CBA2384	CBA2384	Not used
	11	Screw	CBA2383	CBA2383	Not used
	12	Screw	BPZ20P060FTC	BPZ20P060FTC	Not used
	16	Unit Box	QHG3866	QHG3814	QHG3867
	17	Contain Box	QHL3866	QHL3814	QHL3867
	18	Detach Grille Case	Not used	Not used	QEG3004
	19-1	Owner's Manual	QRD3332	QRD3332	QRD3330
*	19-2	Warranty Card	QRY3001	QRY3001	CRY1376

Mark	No.	Description	MVH-X385BT/XINCS	MVH-X385BT/XINGS
	4	Cord Assy	CDP1480	CDP1480
	5	Card Remote Control Unit	QXE1044	QXE1044
	6	Accessory Assy	QEA3341	QEA3341
	10	Screw	CBA2384	CBA2384
	11	Screw	Not used	Not used
	12	Screw	Not used	Not used
	16	Unit Box	QHG3816	QHG3815
	17	Contain Box	QHL3816	QHL3815
	18	Detach Grille Case	QEG3004	QEG3004
	19-1	Owner's Manual	QRD3333	QRD3334
*	19-2	Warranty Card	Not used	Not used

Owner's Manual

Part No.	Language
QRD3330	English, French, Italian, Spanish(Espanol), German, Dutch, Russian
QRD3332	English, French, Spanish(Espanol)
QRD3333	English
QRD3334	English, Traditional Chinese, Arabic, Persian

9.2 EXTERIOR

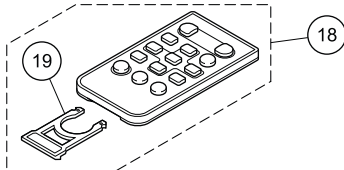
1

2

3

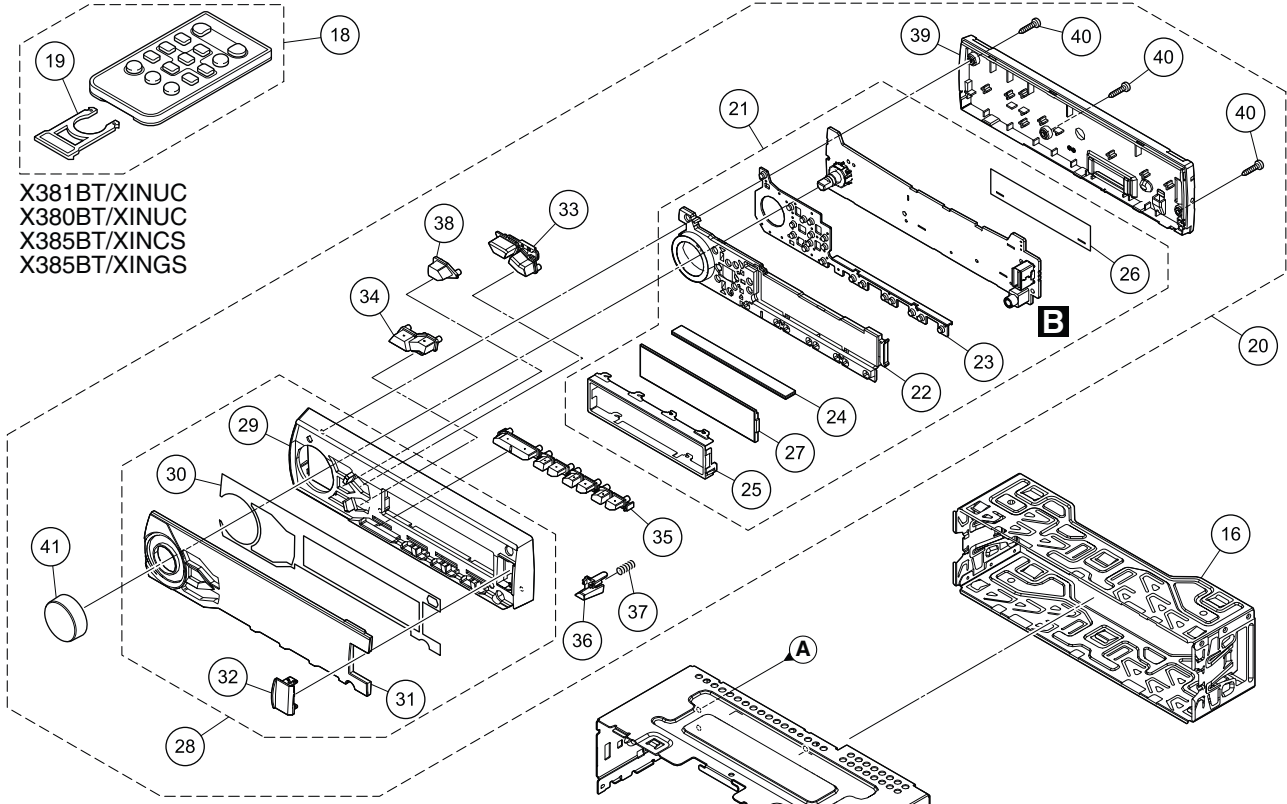
4

A



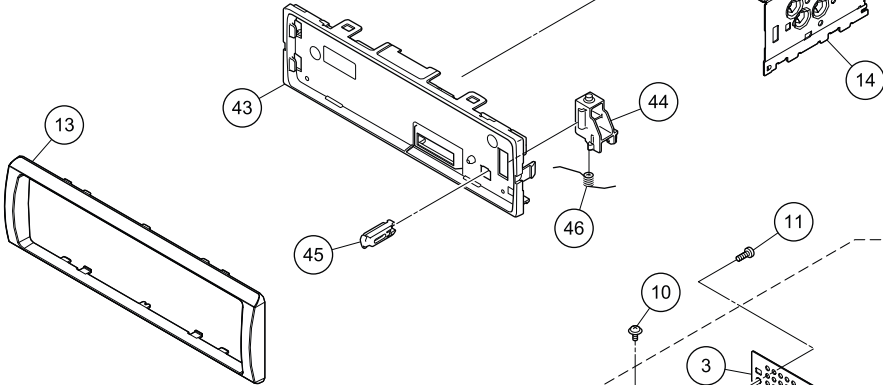
X381BT/XINUC
X380BT/XINUC
X385BT/XINCS
X385BT/XINGS

B



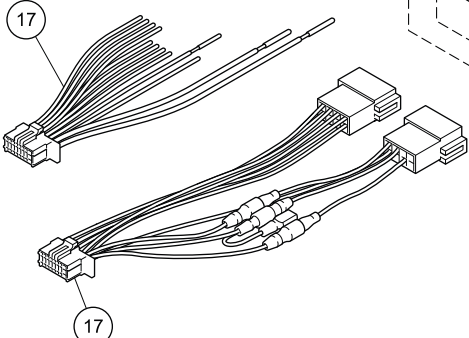
C

D



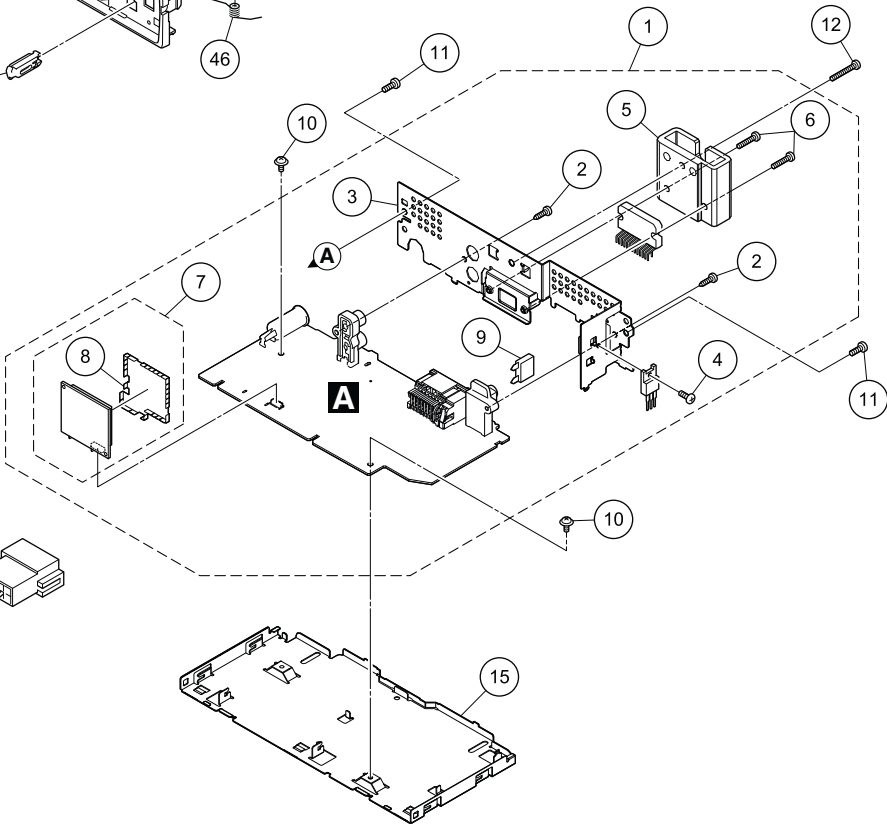
E

X381BT/XINUC
X380BT/XINUC
X385BT/XINCS
X385BT/XINGS



X380BT/XINEW5

F



1

2

3

4

(1) EXTERIOR SECTION PARTS LIST

<u>Mark No.</u>	<u>Description</u>	<u>Part No.</u>	<u>Mark No.</u>	<u>Description</u>	<u>Part No.</u>
1	Tuner Amp Unit	See Contrast table (2)	25	Holder	QNC3108
2	Screw	BPZ26P080FTC			
3	Holder	See Contrast table (2)	26	Sheet	QNM3138
4	Screw	BSZ26P060FTC	27	LCD (V1801)	CAW2056
5	Heat Sink	QNR3012	28	Grille Unit	See Contrast table (2)
			29	Grille	QNS3891
6	Screw	BSZ26P160FTC	30	Double Side Tape	QNM3133
7	BT Module	See Contrast table (2)			
8	Shield Case	YNC5123	31	Plate	QNS3930
⚠ 9	Fuse (10 A)	YEK5001	32	Door	QAT3018
10	Screw	ASZ26P050FTC	33	Button (SRC, LIST)	QAC3208
			34	Button (DISP, BACK)	QAC3209
11	Screw	BSZ26P060FTC	35	Button (TRACK, 1-6)	QAC3210
12	Screw	BSZ26P160FTC			
13	Panel	QNS3568	36	Button (DETACH)	QAC3211
14	Chassis	QNA3027	37	Spring	CBH2210
15	Case	QNB3041	38	Button (PHONE)	QAC3212
			39	Cover	QNS3944
16	Holder	QNC3118	40	Screw	BPZ20P100FTC
17	Cord Assy	See Contrast table (2)			
18	Card Remote Control Unit	See Contrast table (2)	41	Knob Unit	See Contrast table (2)
19	Cover	See Contrast table (2)	42	•••••	
20	Detach Grille Assy	See Contrast table (2)	43	Panel	QNS3289
			44	Arm	QNV3025
21	Keyboard Unit	See Contrast table (2)	45	Button	QNV3026
22	Lighting Conductor	QNV3114			
23	Contact Rubber	QNV3115	46	Spring	QBH3001
24	Rubber Connector	QNV3071			

(2) CONTRAST TABLE

MVH-X381BT/XINUC, MVH-X380BT/XINUC, MVH-X380BT/XINEW5, MVH-X385BT/XINCS and MVH-X385BT/XINGS are constructed the same except for the following:

Mark	No.	Description	MVH-X381BT/XINUC	MVH-X380BT/XINUC	MVH-X380BT/XINEW5
	1	Tuner Amp Unit	QWM4170	QWM4083	QWM4082
	3	Holder	QNC3100	QNC3100	QNC3091
	7	BT Module	CWX4771	CWX4771	CWX4776
	17	Cord Assy	CDP1480	CDP1480	QDP3071
	18	Card Remote Control Unit	QXE1044	QXE1044	Not used
	19	Cover	CNS7068	CNS7068	Not used
	20	Detach Grille Assy	QXA4524	QXA4521	QXA4520
	21	Keyboard Unit	QWM4133	QWM4133	QWM4132
	28	Grille Unit	QXA4454	QXA4451	QXA4450
	41	Knob Unit	QXA4413	QXA4413	QXA4414

Mark	No.	Description	MVH-X385BT/XINCS	MVH-X385BT/XINGS
	1	Tuner Amp Unit	QWM4084	QWM4085
	3	Holder	QNC3100	QNC3100
	7	BT Module	CWX4771	CWX4771
	17	Cord Assy	CDP1480	CDP1480
	18	Card Remote Control Unit	QXE1044	QXE1044
	19	Cover	CNS7068	CNS7068
	20	Detach Grille Assy	QXA4522	QXA4522
	21	Keyboard Unit	QWM4133	QWM4133
	28	Grille Unit	QXA4452	QXA4452
	41	Knob Unit	QXA4413	QXA4413

12. ELECTRICAL PARTS LIST

NOTE:

- Parts whose parts numbers are omitted are subject to being not supplied.
- The part numbers shown below indicate chip components.

Chip Resistor

RS1/○S○○○○J,RS1/○○S○○○○J

Chip Capacitor (except for CQS.....)

CKS....., CCS....., CSZS.....

- The \triangle mark found on some component parts indicates the importance of the safety factor of the part. Therefore, when replacing, be sure to use parts of identical designation.
- Meaning of the figures and others in the parentheses in the parts list.

Example) IC 301 is on the point (face A, 91 of x-axis, and 111 of y-axis) of the corresponding PC board.

IC 301 (A, 91, 111) IC NJM2068V

- The expression of the unit in this manual is shown by u instead of μ . Please do not make a mistake.

	<u>Circuit Symbol and No.</u>	<u>Part No.</u>	<u>Circuit Symbol and No.</u>	<u>Part No.</u>
A:	MVH-X381BT/XINUC		IC 601 (A,72,25) Flash Blank UC IC	R5S726A0D216FP
B:	MVH-X380BT/XINUC		IC 671 (A,89,18) IC	S-80827CNMC-B8M
C:	MVH-X380BT/XINEW5		IC 801 (A,95,24) L-MOS And Gate	TC7SET08FUS1
D:	MVH-X385BT/XINCS		IC 821 (A,107,27) Regulator IC	NJM2831F53
E:	MVH-X385BT/XINGS		IC 881 (A,102,36) Regulator IC	S-1170B33UC-OTS
	Unit Number: QWM4170(A)		IC 882 (A,99,30) Regulator IC	S-1155B12-U5
	Unit Number: QWM4083(B)		IC 941 (A,70,7) Regulator IC	MM3479A18P
	Unit Number: QWM4082(C)		IC 951 (A,80,9) Regulator IC	MM3411A33N
	Unit Number: QWM4084(D)		IC 991 (A,94,47) Regulator IC	BD00GA3EEFJ
	Unit Number: QWM4085(E)		Q 251 (A,36,60) Transistor(C)	EMH53
D	Unit Name : Tuner Amp Unit		Q 252 (A,48,60) Transistor	EMH53
	Unit Number: QWM4133(A,B,D,E)		Q 301 (A,73,52) Transistor	EMD52
	Unit Number: QWM4132(C)		Q 501 (A,46,33) Bipolar TR	LSAR523UB
	Unit Name : Keyboard Unit		Q 691 (A,104,47) Chip Transistor	HN1C01FU
			Q 851 (A,121,36) Transistor	2SCR514PGZE
			Q 853 (A,116,36) Transistor	EMD52
			Q 861 (A,163,61) Transistor	X1049AG-TF2
			Q 862 (A,155,56) Transistor	EMD52
			Q 876 (A,121,27) Transistor	2SAR502UB
			Q 877 (A,118,25) Transistor	LTC143EUB
			Q 911 (A,94,53) Bipolar TR(E)	EMD53
			D 531 (A,138,31) Diode	RB056L-40
A	Unit Number: QWM4170(A)		D 532 (A,146,36) Diode TRANSISTOR	CMS30I30A
	Unit Number: QWM4083(B)		D 601 (A,86,37) Diode(A,B,C)	RB751SM-40
E	Unit Number: QWM4082(C)		D 602 (A,89,37) Diode(A,B,C)	RB751SM-40
	Unit Number: QWM4084(D)		D 691 (A,103,52) Diode	DZ2J075M0
	Unit Number: QWM4085(E)		D 692 (A,108,57) Diode(A,B,D,E)	DZ2J068M0
	Unit Name : Tuner Amp Unit		(A,108,57) Diode(C)	DZ2J075M0
			D 802 (A,95,12) Diode	DZ2S068C
			D 803 (A,113,12) Diode	DZ2S068C
			D 807 (A,114,12) Diode	DZ2S068C
			D 808 (A,119,12) Diode	DZ2S068C
			D 809 (A,116,12) Diode	DZ2S068C
			D 810 (A,117,12) Diode	DZ2S068C
			D 851 (A,118,32) Diode	DZ2J100M0
			D 861 (A,146,40) Diode	D1F60-5053
			D 862 (A,157,61) Diode	DZ2J068M0
			D 863 (A,117,40) Diode	CRG03
			D 901 (A,142,60) Diode	D1F60-5053
			D 902 (A,142,64) Diode	D1F60-5053
MISCELLANEOUS				
	IC 201 (A,55,42) E-VOL SYS LSI	PM9013A		
	IC 301 (A,84,71) Power AMP IC	PA2032A		
	IC 401 (A,17,23) Tuner IC	TEF6686HN		
	IC 451 (A,31,15) Regulator IC	MM3571A33P		
F	IC 501 (A,51,29) IC	337S3959		
	IC 531 (A,138,26) DC/DC CONV IC	KBD9876EFJ		
	IC 532 (A,105,16) PO Supply IC	BD2232G-G		

5		6		7		8	
<u>Circuit Symbol and No.</u>		<u>Part No.</u>		<u>Circuit Symbol and No.</u>		<u>Part No.</u>	
D 982	(A,94,60) Diode		CRG03				
L 202	(A,59,35) Inductor		CTF1793	R 507	(A,55,31)		RS1/16SS101J
L 402	(A,11,28) Inductor(A,B,C,D)		LCTAW150J2520	R 508	(A,55,29)		RS1/16SS101J
	(A,11,28) Chip Coil(E)		LCTAW3R3J2520	R 531	(A,131,26)		RS1/16SS0R0J
				R 532	(A,132,25)		RS1/16SS1803D
L 403	(A,8,30) Chip Coil(E)		LCTAWR27J2520	R 533	(A,132,27)		RS1/16SS4302D
L 404	(A,8,35) Inductor(A,B,C,D)		CTF1389				
L 408	(A,20,41) Inductor		LCMAR27J1608	R 534	(A,136,19)		RS1/10SR471J
L 410	(A,10,35) Inductor(E)		ATL7033	R 535	(A,133,27)		RS1/16SS682J
L 531	(A,130,33) SMD SPL Inductor		CTH1584	R 603	(A,71,14)		RS1/16SS473J
				R 604	(A,98,17)		RS1/16SS473J
L 801	(A,114,16) Inductor		CTF1713	R 605	(A,87,35)		RS1/16SS473J
L 901	(A,139,51) Choke Coil		CTH1621				
T 401	(A,18,35) Variable Coil		CTC1215	R 607	(A,84,25)		RS1/16SS152J
X 401	(A,28,23) Crystal Resonator		CSS1867	R 608	(A,87,47)		RS1/16SS473J
X 601	(A,87,24) Crystal Resonator 12.0 MHz	CSS1847		R 609	(A,89,31)		RS1/16SS473J
				R 610	(A,89,35)		RS1/16SS103J
X 603	(A,79,38) Resonator 16.93 MHz	CSS1794		R 611	(A,86,36)		RS1/16SS103J
△P251	(A,61,65) Fuse 3.0 A(A)	CEK1286					
△P253	(A,63,66) Fuse 3.0 A(B,C,D,E)	CEK1404		R 612	(A,83,38) (B,C)		RS1/16SS473J
P 401	(A,9,43) Surge Absorber	IMSA-6803-01Y900			(A,83,38) (E)		RS1/16SS103J
VA801	(A,111,15) Varistors	MLV0402ES012V0010N		R 613	(A,83,37) (A,D,E)		RS1/16SS473J
				R 614	(A,83,44)		RS1/16SS473J
VA802	(A,103,12) SMD Varistor	MLV0402ES012V0010N		R 615	(A,86,45)		RAB4CQ473J
CN801	(A,106,3) Connector	CKS6452		R 616	(A,74,37)		RS1/16SS221J
CN961	(A,55,11) B TO B Connector	CKS6346					
JA251	(A,45,69) RCA Jack(A,B,D,E)	CKB1115		R 617	(A,74,36)		RS1/16SS221J
	(A,45,69) RCA Jack(C)	CKB1109		R 618	(A,73,37)		RS1/16SS221J
JA401	(A,9,61) Antenna Jack	YKS5041		R 619	(A,72,37)		RS1/16SS221J
				R 620	(A,67,39)		RS1/16SS221J
JA901	(A,121,71) Plug	CKM1624		R 621	(A,70,36)		RS1/16SS221J
JA912	(A,146,78) Jack	CKN1103					
△	Fuse 10 A	YEK5001		R 622	(A,68,37)		RS1/16SS473J
				R 623	(A,66,45)		RS1/16SS473J
				R 624	(A,64,38)		RS1/16SS101J
				R 625	(A,60,33)		RS1/16SS102J
				R 627	(A,83,46)		RS1/16SS473J
R 251	(A,40,58) (C)	RS1/16SS821J		R 628	(A,82,46)		RS1/16SS473J
R 252	(A,31,58) (C)	RS1/16SS821J		R 629	(A,57,32)		RS1/16SS473J
R 253	(A,40,59) (C)	RS1/16SS223J		R 631	(A,57,26)		RS1/16SS104J
R 254	(A,31,59) (C)	RS1/16SS223J		R 632	(A,60,27)		RS1/16SS101J
R 255	(A,52,58)	RS1/16SS821J		R 633	(A,61,25)		RS1/16SS101J
R 256	(A,43,58)	RS1/16SS821J					
R 257	(A,52,59)	RS1/16SS223J		R 635	(A,60,24)		RS1/16SS101J
R 258	(A,43,59)	RS1/16SS223J		R 636	(A,57,24)		RS1/16SS102J
R 305	(A,75,50)	RS1/16SS103J		R 637	(A,59,22)		RS1/16SS102J
R 306	(A,76,55)	RS1/16SS221J		R 638	(A,57,21)		RS1/16SS102J
				R 639	(A,50,22)		RS1/16SS473J
R 307	(A,76,52)	RS1/16SS223J					
R 308	(A,69,65)	RS1/16SS103J		R 640	(A,60,18)		RS1/16SS222J
R 403	(A,9,28) (A,B,C,D)	RS1/16SS391J		R 641	(A,61,16)		RS1/16SS103J
R 404	(A,10,37)	RS1/16SS105J		R 642	(A,57,20)		RS1/16SS473J
R 405	(A,10,40)	RS1/16SS105J		R 643	(A,81,15)		RS1/16SS473J
				R 644	(A,82,16)		RS1/16SS473J
R 406	(A,19,19)	RS1/16SS101J					
R 407	(A,20,19)	RS1/16SS101J		R 645	(A,83,16)		RS1/16SS473J
R 408	(A,23,19)	RS1/16SS103J		R 646	(A,88,33)		RS1/16SS473J
R 410	(A,22,19)	RS1/16SS103J		R 647	(A,84,32)		RS1/16SS473J
R 417	(A,15,31)	RS1/16SS0R0J		R 648	(A,65,36)		RS1/16SS473J
				R 650	(A,93,17)		RS1/16SS473J
R 430	(A,15,14)	RS1/10SR0R0J					
R 437	(A,21,16)	RS1/16SS472J		R 651	(A,91,27)		RS1/16SS153J
R 438	(A,17,16)	RS1/16SS472J		R 652	(A,91,29)		RS1/16SS153J
R 439	(A,25,24)	RS1/16SS0R0J		R 653	(A,57,28)		RS1/16SS473J
R 501	(A,47,31)	RS1/16SS473J		R 661	(A,78,36)		RS1/16SS222J
				R 664	(A,48,24)		RS1/16SS473J
R 502	(A,51,33)	RS1/16SS222J					
R 503	(A,52,27)	RS1/16SS222J		R 665	(A,58,19)		RS1/16SS222J
R 504	(A,48,28)	RS1/16SS272J		R 667	(A,73,14)		RS1/16SS103J
R 505	(A,47,29)	RS1/16SS472J		R 668	(A,95,16)		RS1/16SS473J
R 506	(A,46,34)	RS1/16SS472J		R 671	(A,84,20)		RS1/16SS104J

RESISTORS

	1	2	3	4
	<u>Circuit Symbol and No.</u>	<u>Part No.</u>	<u>Circuit Symbol and No.</u>	<u>Part No.</u>
	R 681 (A,72,46)	RS1/16SS473J		
	R 682 (A,72,39)	RS1/16SS473J	C 206 (A,59,54)	XCEVW470M16
	R 683 (A,76,44)	RS1/16SS473J	C 207 (A,66,54) 10 uF	CCG1192
A	R 684 (A,65,42)	RS1/16SS473J	C 210 (A,65,50)	CKSSYB104K16
	R 685 (A,69,46)	RS1/16SS473J	C 215 (A,46,47)	CKSRYB105K10
	R 691 (A,105,48)	RS1/16SS103J	C 216 (A,47,47)	CKSRYB105K10
	R 692 (A,109,46)	RS1/16SS104J	C 217 (A,46,42)	CKSRYB105K10
	R 693 (A,106,48)	RS1/16SS473J	C 218 (A,46,43)	CKSRYB105K10
	R 694 (A,107,48)	RS1/16SS473J	C 220 (A,61,34) 10 uF	CCG1192
	R 695 (A,106,57) (A,B,D,E)	RS1/10SR682J	C 221 (A,61,36)	CKSSYB104K10
	(A,106,57) (C)	RS1/10SR333J	C 222 (A,63,47) 10 uF	CCG1192
	R 696 (A,112,59) (A,B,D,E)	RS1/4SA102J	C 229 (A,46,38)	CKSRYB105K10
	(A,112,59) (C)	RS1/4SA122J	C 230 (A,46,41)	CKSRYB105K10
	R 801 (A,121,21)	RS1/10SR222J	C 232 (A,53,36)	CKSSYB104K10
B	R 803 (A,122,18)	RS1/10SR222J	C 233 (A,53,35)	CKSSYB104K10
	R 805 (A,93,20)	RS1/10SR222J	C 234 (A,56,34) 10 uF	CCG1192
	R 806 (A,100,24)	RS1/10SR222J	C 235 (A,55,36)	CCSSCH151J50
	R 807 (A,90,14)	RS1/10SR222J	C 239 (A,64,50) 1 uF	DCH1246
	R 808 (A,88,13)	RS1/16SS822J	C 251 (A,39,57) 10 uF(C)	CCG1192
	R 809 (A,101,15)	RS1/10SR222J	C 252 (A,31,57) 10 uF(C)	CCG1192
	R 810 (A,99,15)	RS1/10SR222J	C 253 (A,40,60) 10 uF(C)	CCSSCH101J50
	R 811 (A,118,18)	RS1/10SR223J	C 254 (A,31,60) 10 uF(C)	CCSSCH101J50
	R 812 (A,116,18)	RS1/10SR223J	C 255 (A,51,57) 10 uF	CCG1192
	R 813 (A,118,21)	RS1/10SR101J	C 256 (A,44,57) 10 uF	CCG1192
C	R 814 (A,116,21)	RS1/10SR101J	C 257 (A,52,60)	CCSSCH101J50
	R 815 (A,117,21)	RS1/10SR101J	C 258 (A,43,60)	CCSSCH101J50
	R 816 (A,113,21)	RS1/10SR220J	C 259 (A,30,63)	CCSRCH102J50
	R 817 (A,114,21)	RS1/10SR220J	C 260 (A,29,65)	CKSSYB104K10
	R 852 (A,117,37)	RS1/10SR102J	C 261 (A,29,66)	CKSSYB103K16
	R 854 (A,122,25)	RS1/10SR473J	C 301 (A,78,60)	CKSRYB474K10
	R 861 (A,155,52)	RS1/10SR122J	C 302 (A,89,60)	CKSRYB474K10
	R 862 (A,157,52)	RS1/10SR223J	C 303 (A,81,60)	CKSRYB474K10
	R 880 (A,118,28)	RS1/16SS103J	C 304 (A,86,60)	CKSRYB474K10
	R 881 (A,117,28)	RS1/16SS272J	C 309 (A,66,66) 2.2 uF	CCG1205
	R 882 (A,120,29)	RS1/16SS473J	C 312 (A,70,60) 10 uF/16 V	DCH1263
D	R 883 (A,103,32)	RS1/16SS473J	C 316 (A,79,54)	CKSRYB105K10
	R 911 (A,150,60)	RS1/10SR102J	C 324 (A,91,58)	CKSRYB104K16
	R 912 (A,148,60)	RS1/10SR102J	C 325 (A,115,52) 2 200 uF/16 V	CCH1405
	R 914 (A,149,61) (E)	RS1/16SS471J	C 405 (A,24,28)	CKSSYB102K50
	R 915 (A,147,61) (E)	RS1/16SS471J	C 409 (A,20,29)	CKSSYB224K6R3
	R 916 (A,153,70) (B,C,D,E)	RS1/16SS0R0J	C 410 (A,18,40)	CCSSCH220J50
	R 961 (A,67,12)	RS1/16SS221J	C 411 (A,17,40)	CCSSCH331J50
	R 962 (A,62,13)	RS1/16SS221J	C 414 (A,11,25)	CKSSYB102K50
	R 963 (A,68,13)	RS1/16SS221J	C 416 (A,8,28) (E)	CCSSCH120J50
	R 964 (A,61,4)	RS1/16SS102J	C 417 (A,7,28) (E)	CCSSCK1R0C50
	R 965 (A,60,4)	RS1/16SS102J	C 418 (A,12,35) (E)	CCSSCK2R0C50
E	R 966 (A,58,5)	RS1/16SS222J	C 419 (A,9,35) (E)	CCSSCK1R0C50
	R 967 (A,71,11)	RS1/16SS101J	C 420 (A,9,39)	CCSSCH471J50
	R 968 (A,72,13)	RS1/16SS101J	C 422 (A,12,24)	CKSSYB152K50
	R 969 (A,59,16)	RS1/16SS102J	C 425 (A,23,26)	CCSSCH390J50
	R 970 (A,62,4)	RS1/16SS222J	C 428 (A,15,28)	CKSSYB104K10
	R 991 (A,89,47)	RS1/16SS2702D	C 430 (A,19,29)	CKSSYB102K50
	R 992 (A,89,46)	RS1/16SS4301D	C 434 (A,14,42)	CCSSCH100D50
			C 442 (A,14,19) 10 uF	CCG1192
			C 452 (A,25,16)	CKSRYB104K16
			C 453 (A,36,14)	CKSRYB105K10

CAPACITORS

F	C 201 (A,55,48)	CCSSCH151J50		
	C 202 (A,53,52) 10 uF	CCG1192	C 458 (A,9,20)	CCSSCH102J50
	C 203 (A,56,48)	CKSSYB104K10	C 459 (A,26,33)	CKSRYB105K10
	C 204 (A,57,48)	CKSSYB104K10	C 501 (A,48,31)	CKSSYB104K10
	C 205 (A,59,48)	CKSSYB104K10	C 502 (A,48,29)	CKSSYB104K10
			C 531 (A,144,27)	CKSSYB103K16

5
Circuit Symbol and No.

6
Part No.

7
Circuit Symbol and No.

8
Part No.

C 532	(A,129,21)	CEVQW221M6R3
C 534	(A,127,28)	CKSRYB105K10
C 535	(A,136,21) 10 uF	CCG1192
C 536	(A,133,25)	CKSSYB682K25
C 539	(A,143,29) 4.7 uF	CCG1222
C 540	(A,145,29) 1 uF	CCG1393
C 541	(A,152,27)	XCEVW221M16
C 542	(A,108,19)	CKSRYB105K10
C 545	(A,108,13)	CKSRYB105K10
C 601	(A,61,15)	CKSSYB104K10
C 602	(A,70,14)	CKSSYB102K50
C 603	(A,73,13)	CKSSYB104K10
C 604	(A,83,11)	CKSSYB102K50
C 605	(A,83,14)	CKSSYB104K10
C 606	(A,86,22)	CCSSCH120J50
C 607	(A,86,26)	CCSSCH120J50
C 608	(A,83,22)	CKSSYB104K10
C 609	(A,83,23)	CKSSYB104K10
C 610	(A,83,26)	CKSSYB104K10
C 611	(A,82,34)	CKSSYB104K10
C 612	(A,82,33)	CKSSYB104K10
C 613	(A,75,36)	CKSSYB104K10
C 614	(A,69,37)	CKSSYB104K10
C 615	(A,63,38)	CCSSCH220J50
C 616	(A,64,37)	CKSSYB104K10
C 617	(A,64,35)	CKSSYB104K10
C 618	(A,58,33)	CKSSYB104K10
C 619	(A,61,28)	CKSSYB104K10
C 620	(A,58,23)	CKSSYB104K10
C 621	(A,59,21)	CKSSYB104K10
C 628	(A,83,19)	CKSSYB104K10
C 629	(A,61,30)	CCSSCH220J50
C 630	(A,59,27)	CCSSCH220J50
C 631	(A,59,24)	CCSSCH220J50
C 632	(A,81,38)	CCSSCH120J50
C 633	(A,76,38)	CCSSCH120J50
C 638	(A,63,41)	CKSSYB104K10
C 639	(A,41,25)	CCSRCH101J50
C 641	(A,46,27)	CCSSCH330J50
C 672	(A,89,20)	CKSRYB105K10
C 681	(A,79,44)	CKSSYB104K10
C 683	(A,76,41)	CCSSCJ3R0C50
C 691	(A,106,59)	CKSRYB104K50
C 693	(A,78,51)	CCSSCH101J50
C 801	(A,124,14)	CCSRCH102J50
C 805	(A,122,13)	CKSRYB104K16
C 806	(A,100,12)	CCSRCH221J50
C 807	(A,98,12)	CCSRCH221J50
C 808	(A,101,19)	CKSRYB104K16
C 810	(A,108,12)	CKSRYB104K16
C 811	(A,117,16)	CKSRYB105K10
C 813	(A,100,25)	CKSSYB104K10
C 841	(A,111,26) 10 uF	CCG1192
C 842	(A,103,26) 10 uF	CCG1192
C 852	(A,122,23)	CCSRCH101J50
C 853	(A,115,30)	CKSSYB104K16
C 861	(A,157,40)	XCEAT102M16
C 862	(A,158,61)	CKSSYB104K16
C 864	(A,157,65) 10 uF	CCG1192
C 883	(A,107,37) 10 uF	CCG1192

C 884	(A,95,29) 10 uF	CCG1192
C 885	(A,98,33) 10 uF	CCG1192
C 886	(A,99,37) 10 uF	CCG1192
C 914	(A,151,66)	CKSSYB102K50
C 942	(A,67,9) 4.7 uF	CCG1212
C 943	(A,74,8) 4.7 uF	CCG1212
C 946	(A,73,5)	CKSSYB104K10
C 951	(A,78,7) 4.7 uF	CCG1212
C 954	(A,82,7) 4.7 uF	CCG1212
C 961	(A,43,18)	XCEVW221M4
C 962	(A,47,14) 1 uF	DCH1246
C 963	(A,59,4) 1 uF	DCH1246
C 966	(A,65,9) 4.7 uF	CCG1212
C 968	(A,61,14)	CCSSCH270J50
C 970	(A,26,6)	CKSSYB104K10
C 971	(A,30,47)	CKSRYB103K50
C 991	(A,98,48)	CKSRYB105K16
C 992	(A,87,50)	CKSRYB105K16

B
Unit Number : QWM4133(A,B,D,E)
Unit Number : QWM4132(C)
Unit Name : Keyboard Unit

MISCELLANEOUS

IC 1801	(B,84,21) Flash Written UC IC	PD6586A8
IC 1941	(A,158,37) IR RC REC Module(A,B,D,E)	SIR8440B5
Q 1951	(B,34,19) Resistor Built-IN TR(A,B,D,E)	LTC014EEB
Q 1952	(B,38,19) Resistor Built-IN TR(C)	LTC014EEB
D 1951	(A,60,21) White LED(A,B,D,E)	CSL0401WBHCW1(A)
D 1953	(A,35,9) Blue LED(A,B,D,E)	FC-F1608BK-470H5
D 1954	(A,49,13) Blue LED(A,B,D,E)	FC-F1608BK-470H5
D 1955	(A,49,23) Blue LED(A,B,D,E)	FC-F1608BK-470H5
D 1956	(A,59,3) Blue LED(A,B,D,E)	FC-F1608BK-470H5
D 1957	(A,70,4) Blue LED(A,B,D,E)	FC-F1608BK-470H5
D 1958	(A,87,4) Blue LED(A,B,D,E)	FC-F1608BK-470H5
D 1959	(A,94,4) Blue LED(A,B,D,E)	FC-F1608BK-470H5
D 1960	(A,109,4) Blue LED(A,B,D,E)	FC-F1608BK-470H5
D 1961	(A,116,4) Blue LED(A,B,D,E)	FC-F1608BK-470H5
D 1962	(A,131,4) Blue LED(A,B,D,E)	FC-F1608BK-470H5
D 1963	(A,138,4) Blue LED(A,B,D,E)	FC-F1608BK-470H5
D 1964	(A,34,27) Blue LED(A,B,D,E)	FC-F1608BK-470H5
D 1966	(A,37,18) Blue LED(A,B,D,E)	FC-F1608BK-470H5
D 1968	(A,38,18) Red LED(C)	FC-1608SXX630D08
D 1969	(A,49,11) Red LED(C)	FC-1608SXX630D08
D 1970	(A,49,25) Red LED(C)	FC-1608SXX630D08
D 1971	(A,34,29) Red LED(C)	FC-1608SXX630D08
D 1973	(A,71,4) Red LED(C)	FC-1608SXX630D08
D 1974	(A,57,3) Red LED(C)	FC-1608SXX630D08
D 1975	(A,111,4) Red LED(C)	FC-1608SXX630D08
D 1976	(A,93,4) Red LED(C)	FC-1608SXX630D08
D 1977	(A,89,4) Red LED(C)	FC-1608SXX630D08
D 1978	(A,137,4) Red LED(C)	FC-1608SXX630D08
D 1979	(A,133,4) Red LED(C)	FC-1608SXX630D08
D 1980	(A,115,4) Red LED(C)	FC-1608SXX630D08
D 1981	(A,35,7) Red LED(C)	FC-1608SXX630D08
X 1801	(B,68,23) Ceramic Resonator 5.00 MHz	CSS1547
S 1839	(A,15,18) Encoder (MULTI-CONTROL)	CSD1193

Circuit Symbol and No.**Part No.**

V 1801 (A,137,31) Segment LCD
CN1931 (B,107,8) Connector

CAW2056
CKS6451

A JA1911 (A,157,23) Connector
JA1921 (A,152,6) Jack

CKS6443
CKN1090

RESISTORS

R 1801 (B,85,13)
R 1802 (B,63,20)
R 1803 (B,73,22)
R 1805 (B,62,21)
R 1806 (B,54,26)

RS1/10SR473J
RS1/10SR473J
RS1/10SR222J
RS1/10SR473J
RS1/10SR473J

R 1807 (B,55,26)
R 1808 (B,52,26)
B R 1823 (B,51,26)
R 1921 (B,138,8)
R 1922 (B,138,14)

RS1/10SR473J
RS1/10SR473J
RS1/10SR273J
RS1/10SR0R0J
RS1/10SR0R0J

R 1923 (B,136,5)
R 1931 (B,35,8)
R 1932 (B,37,7)
R 1941 (B,127,23) (C)
R 1944 (B,131,26) (A,B,D,E)

RS1/10SR0R0J
RS1/10SR222J
RS1/10SR222J
RS1/10SR473J
RS1/10SR101J

R 1951 (B,51,21)
R 1952 (B,55,23)
R 1958 (B,35,11) (A,B,D,E)
C R 1960 (B,41,7) (A,B,D,E)
R 1962 (B,88,10) (A,B,D,E)

RS1/4SA181J
RS1/4SA101J
RS1/10SR471J
RS1/10SR122J
RS1/10SR102J

R 1964 (B,54,11) (A,B,D,E)
R 1966 (B,140,18) (A,B,D,E)
R 1968 (B,28,28) (A,B,D,E)
R 1969 (B,29,28) (A,B,D,E)
R 1972 (B,32,19) (A,B,D,E)

RS1/10SR102J
RS1/10SR102J
RS1/10SR471J
RS1/10SR682J
RS1/10SR0R0J

R 1973 (B,38,22) (C)
R 1975 (B,31,19) (C)
R 1978 (B,35,13) (C)
R 1980 (B,31,28) (C)
D R 1982 (B,86,10) (C)

RS1/10SR0R0J
RS1/10SR562J
RS1/10SR102J
RS1/10SR102J
RS1/10SR152J

R 1984 (B,63,14) (C)
R 1986 (B,137,18) (C)
R 1988 (B,49,23) (C)
R 1991 (B,49,7) (A,B,D,E)
R 1996 (B,59,7) (C)

RS1/10SR102J
RS1/10SR102J
RS1/10SR102J
RS1/10SR0R0J
RS1/10SR0R0J

CAPACITORS

C 1806 (B,66,22)
C 1807 (B,64,22)
E C 1912 (B,143,21)
C 1941 (B,135,26) 10 uF(A,B,D,E)

CKSRYB104K16
CKSRYB105K10
CKSRYB102K50
CCG1192