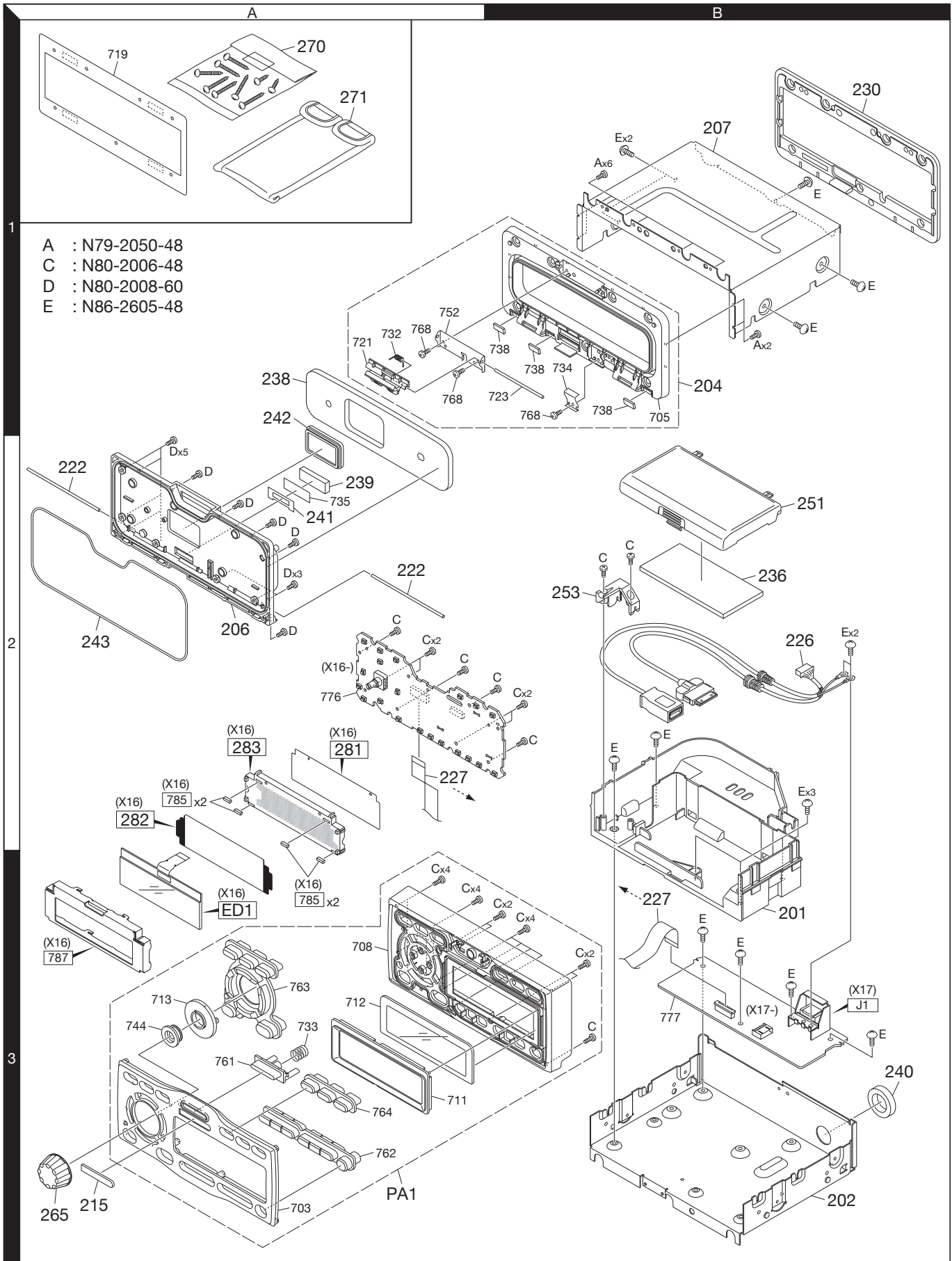
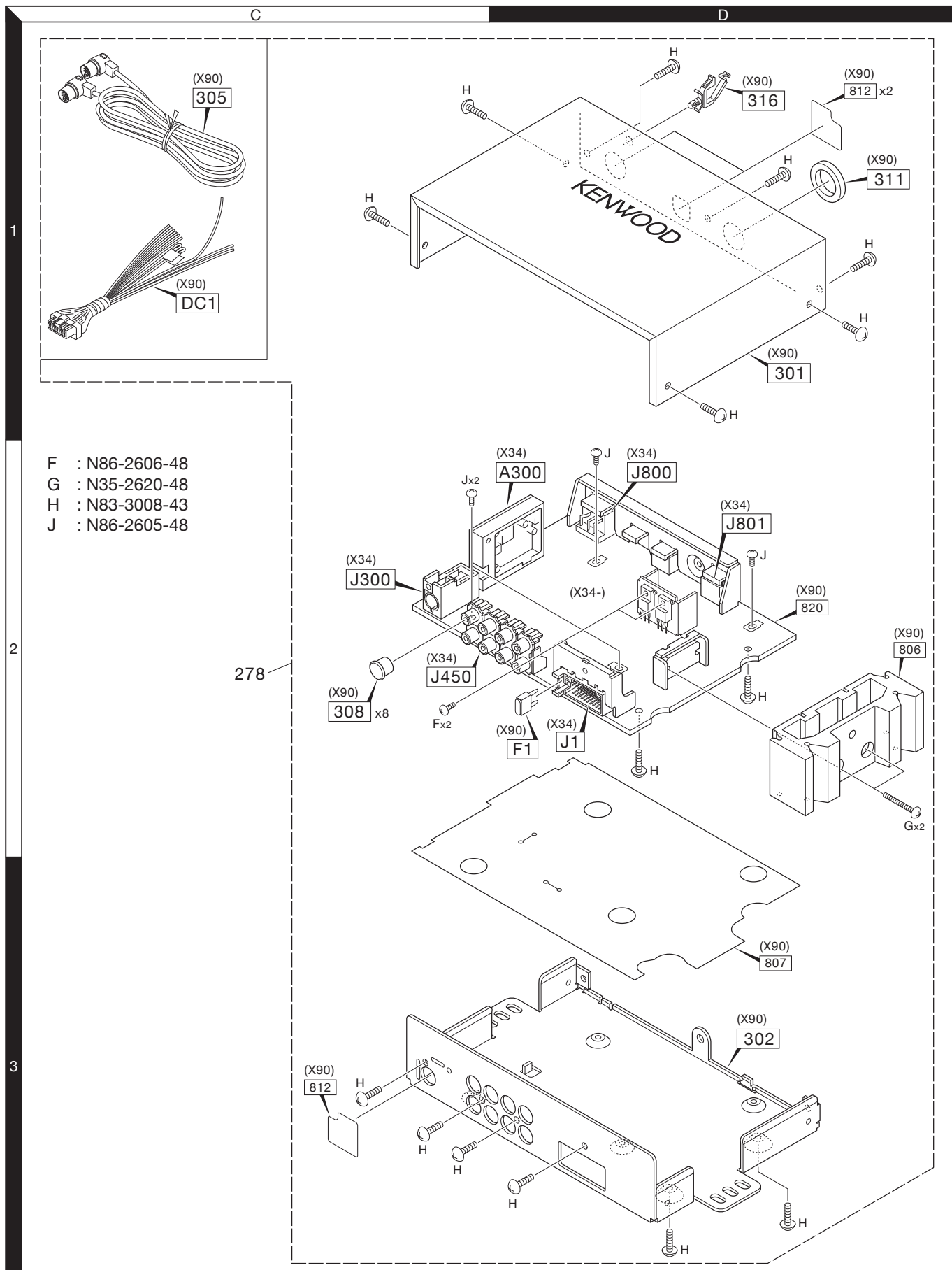


# KMR-700U

## EXPLODED VIEW (UNIT)



## EXPLODED VIEW (AUDIO ASSY: X90-)



# KMR-700U

## PARTS LIST

\* New parts

Parts without **Parts No.** are not supplied.

Les articles non mentionnés dans le **Parts No.** ne sont pas fournis.

Teile ohne **Parts No.** werden nicht geliefert.

Ref. No.	A d d	N e w	Parts No.	Description	Desti- nation
<b>KMR-700U</b>					
201	3B	*	A02-2760-01	PLASTIC CABINET	
202	3B	*	A10-5503-01	CHASSIS	
204	1B	*	A22-3213-03	SUB PANEL ASSY	
206	2A	*	A46-1889-01	REAR COVER	
207	1B	*	A52-1115-01	TOP COVER	
PA1	3A	*	A64-4764-01	PANEL ASSY	K
PA1	3A	*	A64-4850-01	PANEL ASSY	E1
PA1	3A	*	A64-4852-01	PANEL ASSY	M1
-		*	B64-4406-00	INST. MANUAL (ENGLISH)	K
-		*	B64-4407-00	INST. MANUAL (FRE.SPA.)	K
-		*	B64-4408-00	INST. MANUAL (ENG.RUS.)	E1
-		*	B64-4409-00	INST. MANUAL (FRE.GER.)	E1
-		*	B64-4410-00	INST. MANUAL (DUT.ITA.)	E1
-		*	B64-4411-00	INST. MANUAL (SPA.POR.)	E1
-		*	B64-4412-00	INST. MANUAL (ENGLISH)	M1
-		*	B64-4413-00	INST. MANUAL (S-CHI.ARA.)	M1
215	3A		B43-0336-04	BADGE (KENWOOD)	
222	2A	*	D21-2514-04	SHAFT	
226	2B	*	E30-6909-05	CORD WITH CONNECTOR (iPod/USB)	
227	2A	*	E39-1090-05	FLAT CABLE (FFC) (X16-X17)	
230	1B	*	F19-1819-02	SHIELDING	
236	2B	*	G11-3781-04	CUSHION	
238	1A	*	G13-1311-03	CUSHION (REAR)	
239	2A		G13-1312-04	CUSHION (FFC)	
240	3B		G13-1313-04	CUSHION (5-L)	
241	2A	*	G16-1752-04	SHEET (REAR)	
242	1A	*	G53-0907-03	PACKING (FFC)	
243	2A	*	G53-0911-03	PACKING (REAR)	
-		*	H54-4634-03	ITEM CARTON CASE	K
-		*	H54-4635-03	ITEM CARTON CASE	E1
-		*	H54-4636-03	ITEM CARTON CASE	M1
251	2B	*	J19-7246-02	HOLDER	
253	2B	*	J90-1184-03	GUIDE	
265	3A	*	K28-0358-04	KNOB ASSY (VOL)	
270	1A	*	N99-1832-05	SCREW SET	
A	1B	*	N79-2050-48	PAN HEAD TAPTITE SCREW	
C	2A		N80-2006-48	PAN HEAD TAPTITE SCREW	
D	2A	*	N80-2008-60	PAN HEAD TAPTITE SCREW	
E	1B		N86-2605-48	BINDING HEAD TAPTITE SCREW	
271	1A	*	W01-1736-05	CARRYING CASE	
278	2C	*	X90-4600-10	AUDIO ASSY	K
278	2C	*	X90-4600-21	AUDIO ASSY	M1
278	2C	*	X90-4602-71	AUDIO ASSY	E1
<b>SWITCH UNIT (X16-6540-10)</b>					
281	2A	*	B11-2025-04	REFLECTION SHEET (LCD)	
282	2A	*	B11-2026-04	OPTICAL DIFFUSER (LCD)	
283	2A	*	B19-2529-02	LIGHTING BOARD (LCD)	
D44			B30-1779-05	LED (1608,SR)	

Ref. No.	A d d	N e w	Parts No.	Description	Desti- nation
D60 ,61			B30-3211-05	LED	
D88 ,89			B30-3210-05	LED (1608,BLUE)	
D94 -109			B30-3210-05	LED (1608,BLUE)	
ED1	3A		B38-1204-05	LCD	
C4			CK73FB0J106K	CHIP C 10UF K	
C14 -17			CK73GB1C225K	CHIP C 2.2UF K	
C18			CK73GB1H104K	CHIP C 0.10UF K	
C146,147			CK73GB1C104K	CHIP C 0.10UF K	
C150,151			CK73GB1A105K	CHIP C 1.0UF K	
C176			CK73GB1C104K	CHIP C 0.10UF K	
C998			CK73GB1H103K	CHIP C 0.010UF K	
C999			CC73GCH1H471J	CHIP C 470PF J	
CN1			E41-3011-05	FLAT CABLE CONNECTOR	
CN3		*	E41-3097-05	FLAT CABLE CONNECTOR	
X1		*	L78-1233-05	RESONATOR (12MHZ)	
CP5			RK74GB1J102J	CHIP-COM 1.0K J 1/16W	
CP12-14			RK74GB1J101J	CHIP-COM 100 J 1/16W	
CP16,17			RK74GB1J102J	CHIP-COM 1.0K J 1/16W	
R4 -8			RK73GB2A101J	CHIP R 100 J 1/10W	
R18			RK73GB2A101J	CHIP R 100 J 1/10W	
R27 ,28			RK73GB2A101J	CHIP R 100 J 1/10W	
R47			RK73GB2A102J	CHIP R 1.0K J 1/10W	
R142			RK73GB2A101J	CHIP R 100 J 1/10W	
R143			RK73GB2A102J	CHIP R 1.0K J 1/10W	
R153			RK73GB2A102J	CHIP R 1.0K J 1/10W	
R154-157			RK73GB2A333J	CHIP R 33K J 1/10W	
R160-162			RK73GB2A333J	CHIP R 33K J 1/10W	
R165-169			RK73GB2A333J	CHIP R 33K J 1/10W	
R170-173			RK73GB2A332J	CHIP R 3.3K J 1/10W	
R174,175			RK73GB2A333J	CHIP R 33K J 1/10W	
R177,178			RK73GB2A333J	CHIP R 33K J 1/10W	
R186			RK73GB2A102J	CHIP R 1.0K J 1/10W	
R225,226			RK73GB2A102J	CHIP R 1.0K J 1/10W	
R235-238			RK73GB2A333J	CHIP R 33K J 1/10W	
R240			RK73GB2A333J	CHIP R 33K J 1/10W	
R250-255			RK73GB2A821J	CHIP R 820 J 1/10W	
R256-258			RK73GB2A101J	CHIP R 100 J 1/10W	
R268			RK73GB2A106J	CHIP R 10M J 1/10W	
R271			RK73GB2A333J	CHIP R 33K J 1/10W	
R273			RK73GB2A333J	CHIP R 33K J 1/10W	
R275			RK73GB2A102J	CHIP R 1.0K J 1/10W	
R277			RK73GB2A221J	CHIP R 220 J 1/10W	
R279,280			RK73FB2B152J	CHIP R 1.5K J 1/8W	
R281,282			RK73GH2A271D	CHIP R 270 D 1/10W	
R283,284			RK73GB2A911J	CHIP R 910 J 1/10W	
S22 -41			S70-0901-05	TACT SWITCH	
S43		*	T99-0486-05	ROTARY ENCODER	
IC12		*	90F884APMC0C3	MICROCONTROLLER IC	
Q100			2SK3018	FET	
Q114			2SC4081	TRANSISTOR	
Q120-123			DTC114YUA	DIGITAL TRANSISTOR	
Q124			2SC4081	TRANSISTOR	

E : Europe K : North America M : Other Areas

△ Indicates safety critical components.

## PARTS LIST

Ref. No.	Add	New	Parts No.	Description	Destination	Ref. No.	Add	New	Parts No.	Description	Destination
<b>PROCESSOR UNIT (X17-2040-10)</b>											
C1 -5			CK73GB1H153K	CHIP C 0.015UF K		C94 ,95			CK73FB0J475K	CHIP C 4.7UF K	
C6			CK73GB1H102K	CHIP C 1000PF K		C97 ,98			CK73FB1E474K	CHIP C 0.47UF K	
C7 ,8			CK73GB1H153K	CHIP C 0.015UF K		C99 ,100			CK73EB1H475K	CHIP C 4.7UF K	
C9 ,10			CK73GB1H103K	CHIP C 0.010UF K		C101,102			CK73GB1H102K	CHIP C 1000PF K	
C11 ,12			CC73GCH1H120J	CHIP C 12PF J		C103,104			CK73GB1H104K	CHIP C 0.10UF K	
C13 ,14			CK73GB1C104K	CHIP C 0.10UF K		C105,106			CK73GB1C104K	CHIP C 0.10UF K	
C15			CK73GB1H103K	CHIP C 0.010UF K		C109			CK73FB0J106K	CHIP C 10UF K	
C17			CK73GB1C104K	CHIP C 0.10UF K		C110			CK73GB1H103K	CHIP C 0.010UF K	
C18			CK73GB1H103K	CHIP C 0.010UF K		C111			CK73GB1C224K	CHIP C 0.22UF K	
C19			CK73GB1H122K	CHIP C 1200PF K		C112			CK73FB1C105K	CHIP C 1.0UF K	
C20 ,21			CK73GB1C104K	CHIP C 0.10UF K		C113			CK73GB1C104K	CHIP C 0.10UF K	
C22			CC73GCH1H331J	CHIP C 330PF J		C114-116			CK73GB1H103K	CHIP C 0.010UF K	
C23			CK73GB1C104K	CHIP C 0.10UF K		C117-123			CK73GB1A105K	CHIP C 1.0UF K	
C24			CE32BF0J221M	CHIP EL 220UF 6.3WV		C124			CC73GCH1H471J	CHIP C 470PF J	
C25 ,26			CK73GB1A105K	CHIP C 1.0UF K		CN1		*	E41-2873-05	PIN ASSY	
C27 ,28			CK73GB1C104K	CHIP C 0.10UF K		CN2		*	E41-3128-05	FLAT CABLE CONNECTOR	
C29			CK73GB1H103K	CHIP C 0.010UF K		J1	3B		E56-0855-05	CYLINDRICAL RECEPTACLE	
C30 ,31			CK73GB1C104K	CHIP C 0.10UF K		L1			L33-2462-05	SMALL FIXED INDUCTOR (22UH)	
C32			CE32BF0J221M	CHIP EL 220UF 6.3WV		L2			L33-2438-05	SMALL FIXED INDUCTOR (15UH)	
C33			CK73GB1A105K	CHIP C 1.0UF K		L7		*	L92-0664-05	CHIP FERRITE (100MHZ)	
C34			CK73GB1C104K	CHIP C 0.10UF K		X1			L77-2908-05	CRYSTAL RESONATOR (12.000MHZ)	
C35			CK73GB1H103K	CHIP C 0.010UF K		CP1			RK74HB1J101J	CHIP-COM 100 J 1/16W	
C36			CK73GB1C104K	CHIP C 0.10UF K		CP3 -11			RK74HB1J101J	CHIP-COM 100 J 1/16W	
C42			CK73GB1C473K	CHIP C 0.047UF K		CP13-16			RK74HB1J221J	CHIP-COM 220 J 1/16W	
C44			CK73GB1A105K	CHIP C 1.0UF K		CP17			RK74HB1J473J	CHIP-COM 47K J 1/16W	
C46			CK73FB0J106K	CHIP C 10UF K		CP18			RK74HB1J101J	CHIP-COM 100 J 1/16W	
C49			CC73GCH1H681J	CHIP C 680PF J		R1 ,2			RK73GB2A332J	CHIP R 3.3K J 1/10W	
C50			CK73GB1C104K	CHIP C 0.10UF K		R3			RK73GB2A101J	CHIP R 100 J 1/10W	
C51			CC73GCH1H681J	CHIP C 680PF J		R4 ,5			RK73GB2A223J	CHIP R 22K J 1/10W	
C53			CK73GB1C104K	CHIP C 0.10UF K		R6 ,7			RK73GB2A100J	CHIP R 10 J 1/10W	
C54 ,55			CK73FB0J106K	CHIP C 10UF K		R8 ,9			RK73GB2A223J	CHIP R 22K J 1/10W	
C56			CK73GB1C104K	CHIP C 0.10UF K		R10			RK73GB2A333J	CHIP R 33K J 1/10W	
C58			CK73FB0J106K	CHIP C 10UF K		R11 -13			RK73GB2A223J	CHIP R 22K J 1/10W	
C59 ,60			CK73GB1C104K	CHIP C 0.10UF K		R14			RK73GB2A101J	CHIP R 100 J 1/10W	
C61 ,62			CK73FB0J106K	CHIP C 10UF K		R15			RK73GB2A515J	CHIP R 5.1M J 1/10W	
C63			CK73GB1C104K	CHIP C 0.10UF K		R16			RK73GB2A223J	CHIP R 22K J 1/10W	
C69			CE32BJ1C100M	CHIP EL 10UF 16WV		R17 -19			RK73GB2A101J	CHIP R 100 J 1/10W	
C70			CE32BJ1C101M	CHIP EL 100UF 16WV		R20			RK73GB2A332J	CHIP R 3.3K J 1/10W	
C71			CK73GB1C104K	CHIP C 0.10UF K		R21			RK73GB2A102J	CHIP R 1.0K J 1/10W	
C73			CK73GB1C104K	CHIP C 0.10UF K		R22 ,23			RK73GB2A101J	CHIP R 100 J 1/10W	
C75			CE32BJ1C100M	CHIP EL 10UF 16WV		R24			RK73GB2A223J	CHIP R 22K J 1/10W	
C78			CK73GB1A105K	CHIP C 1.0UF K		R25			RK73GB2A101J	CHIP R 100 J 1/10W	
C79 ,80			CC73GCH1H681J	CHIP C 680PF J		R27 -29			RK73GB2A223J	CHIP R 22K J 1/10W	
C81			CK73GB1A105K	CHIP C 1.0UF K		R32			RK73GB2A683J	CHIP R 68K J 1/10W	
C82			CK73GB1C104K	CHIP C 0.10UF K		R34			RK73GB2A472J	CHIP R 4.7K J 1/10W	
C83			CK73FB0J106K	CHIP C 10UF K		R35			RK73GB2A330J	CHIP R 33 J 1/10W	
C84			CK73GB1H102K	CHIP C 1000PF K		R36			RK73GB2A153J	CHIP R 15K J 1/10W	
C86			CK73GB1H102K	CHIP C 1000PF K		R37			RK73GB2A330J	CHIP R 33 J 1/10W	
C87			CD04BJ1C102M2	ELECTRO 1000UF 16WV		R38 ,39			RK73GB2A153J	CHIP R 15K J 1/10W	
C88			CK73GB1H104K	CHIP C 0.10UF K		R40			RK73GB2A330J	CHIP R 33 J 1/10W	
C89 ,90			CK73GB1C104K	CHIP C 0.10UF K		R41			RK73GB2A153J	CHIP R 15K J 1/10W	
C91			CE32BJ1C101M	CHIP EL 100UF 16WV		R42			RK73GB2A330J	CHIP R 33 J 1/10W	
C92 ,93			CK73FB0J106K	CHIP C 10UF K		R43			RK73GB2A100J	CHIP R 10 J 1/10W	
						R45			RK73GB2A391J	CHIP R 390 J 1/10W	

E : Europe K : North America M : Other Areas

△ Indicates safety critical components.

## PARTS LIST

### PROCESSOR UNIT (X17-2040-10)

Ref. No.	Ad	New	Parts No.	Description	Destination
R46			RK73GB2A100J	CHIP R 10 J 1/10W	
R48			RK73GB2A391J	CHIP R 390 J 1/10W	
R49			RK73GB2A181J	CHIP R 180 J 1/10W	
R51			RK73GB2A391J	CHIP R 390 J 1/10W	
R52 ,53			RK73GB2A223J	CHIP R 22K J 1/10W	
R55 -59			RK73GB2A101J	CHIP R 100 J 1/10W	
R60			RK73GB2A223J	CHIP R 22K J 1/10W	
R61 -63			RK73GB2A101J	CHIP R 100 J 1/10W	
R68			RK73GB2A223J	CHIP R 22K J 1/10W	
R69			RK73GB2A101J	CHIP R 100 J 1/10W	
R70 -76			RK73GB2A223J	CHIP R 22K J 1/10W	
R82			RK73FB2B4R7J	CHIP R 4.7 J 1/8W	
R83 ,84			RK73GH2A222D	CHIP R 2.2K D 1/10W	
R86 ,87			RK73GH2A222D	CHIP R 2.2K D 1/10W	
R93			RK73GB2A223J	CHIP R 22K J 1/10W	
R95			RK73GH2A622D	CHIP R 6.2K D 1/10W	
R97			RK73GB2A470J	CHIP R 47 J 1/10W	
R99			RK73GB2A223J	CHIP R 22K J 1/10W	
R102			RK73GB2A470J	CHIP R 47 J 1/10W	
R103			RK73GH2A622D	CHIP R 6.2K D 1/10W	
R107			RK73FB2B102J	CHIP R 1.0K J 1/8W	
R108,109			RK73GB2A223J	CHIP R 22K J 1/10W	
R110			RK73GB2A473J	CHIP R 47K J 1/10W	
R113,114			RK73EB2E102J	CHIP R 1.0K J 1/4W	
R115,116			RK73GB2A101J	CHIP R 100 J 1/10W	
R118,119			RK73EB2E102J	CHIP R 1.0K J 1/4W	
R120,121			RK73EB2E101J	CHIP R 100 J 1/4W	
R122			RK73GB2A473J	CHIP R 47K J 1/10W	
R123			RK73EB2E102J	CHIP R 1.0K J 1/4W	
R128			RK73EB2E102J	CHIP R 1.0K J 1/4W	
R129			RK73GB2A473J	CHIP R 47K J 1/10W	
R130,131			RK73GB2A223J	CHIP R 22K J 1/10W	
R132			RK73EB2E220J	CHIP R 22 J 1/4W	
R133			RK73GB2A473J	CHIP R 47K J 1/10W	
R134			RK73EB2E1R0J	CHIP R 1.0 J 1/4W	
R135			RK73FB2B102J	CHIP R 1.0K J 1/8W	
R136			RK73GH2A123D	CHIP R 12K D 1/10W	
R137			RK73GH2A183D	CHIP R 18K D 1/10W	
R138			RK73GH2A753D	CHIP R 75K D 1/10W	
R139			RK73GH2A104D	CHIP R 100K D 1/10W	
R140			RK73GB2A473J	CHIP R 47K J 1/10W	
R141,142			RK73GB2A103J	CHIP R 10K J 1/10W	
R143,144			RK73GH2A153D	CHIP R 15K D 1/10W	
R145,146			RK73GH2A103D	CHIP R 10K D 1/10W	
R147			RK73GH2A332D	CHIP R 3.3K D 1/10W	
R152,153			RK73GB2A101J	CHIP R 100 J 1/10W	
R154			RK73EB2E1R0J	CHIP R 1.0 J 1/4W	
R155			RK73GB2A101J	CHIP R 100 J 1/10W	
R156,157			RK73GB2A221J	CHIP R 220 J 1/10W	
R158-162			RK73GB2A101J	CHIP R 100 J 1/10W	
D1			DAN202U	DIODE	
D6			DA204U	DIODE	
D14 -19			UDZW6.2(B)	ZENER DIODE	
D20			UDZW5.6(B)	ZENER DIODE	
D21			UDZW10(B)	ZENER DIODE	

Ref. No.	Ad	New	Parts No.	Description	Destination
D22 ,23			CMS14	DIODE	
D24			UDZW8.2(B)	ZENER DIODE	
D25 ,26			1SS355	DIODE	
D27 -30			LVS10C270S030	VARISTOR	
IC1		*	IS45S164F7TL1	DRAM IC	
IC2		*	A29L80AUV9B0F	ROM IC	
IC3			MFI341S2162	MICROPROCESSOR IC	
IC8			TAR5S50-F	ANALOGUE IC	
IC9			WM8716SEDS/R	MOS-IC	
IC11			NJM4580V-ZB	ANALOGUE IC	
IC14			S-1132B18U5T1G	ANALOGUE IC	
IC15			74LVC08APW	MOS-IC	
IC16		*	74HC2G32DP	MOS-IC	
IC17		*	74HCT2G08DP	MOS-IC	
IC18,19			LT3685EMSE	ANALOGUE IC	
IC21			XC6120N362N1	MOS-IC	
IC22,23			BD6538G	MOS-IC	
IC24		*	TCC8600	MOS-IC	
IC25		*	S-1172B32E6T1	ANALOGUE IC	
Q1			DTA114YUA	DIGITAL TRANSISTOR	
Q4			DTA124EUA	DIGITAL TRANSISTOR	
Q5			DTC144EUA	DIGITAL TRANSISTOR	
Q6			2SB1184	TRANSISTOR	
Q13			DTC144EUA	DIGITAL TRANSISTOR	
Q14			DTA124EUA	DIGITAL TRANSISTOR	
Q15			2SB1188(R)	TRANSISTOR	
Q16 ,17			2SC4081	TRANSISTOR	
Q18			2SB1184	TRANSISTOR	
Q19			DTC143XUA	DIGITAL TRANSISTOR	
Q20			2SC4081	TRANSISTOR	
<b>ELECTRIC UNIT (X34-633x-xx)</b>					
C1 ,2			CD04AZ1C332M2	ELECTRO 3300UF	16WV
C20			CK73GB1A105K	CHIP C 1.0UF	K
C22			CD04AR1C221M	ELECTRO 220UF	16WV
C23			CD04AS1C470M	ELECTRO 47UF	16WV
C24			CK73GB1C224K	CHIP C 0.22UF	K
C30			C90-6851-05	ELECTRO 220UF	25WV
C31			CK73GB1H103K	CHIP C 0.010UF	K
C32			CD04AS1V100M	ELECTRO 10UF	35WV
C33			CD04AS0J101M	ELECTRO 100UF	6.3WV
C34 ,35			CK73GB1A105K	CHIP C 1.0UF	K
C36			CD04AS1V100M	ELECTRO 10UF	35WV
C40			CD04AS1V100M	ELECTRO 10UF	35WV
C41			CK73GB1H102K	CHIP C 1000PF	K
C43			CD04AS1C220M	ELECTRO 22UF	16WV
C44			CD04AS1C470M	ELECTRO 47UF	16WV
C100,101			CK73GB1H103K	CHIP C 0.010UF	K
C120			CD04AS1H3R3M	ELECTRO 3.3UF	50WV
C121			CK73GB1A105K	CHIP C 1.0UF	K
C122			CK73GB1H104K	CHIP C 0.10UF	K
C130			CK73GB1H223K	CHIP C 0.022UF	K
C131			CK73GB1A105K	CHIP C 1.0UF	K
C202-205			CK73GB1A105K	CHIP C 1.0UF	K
C210			CK73GB1A105K	CHIP C 1.0UF	K
C211			CK73GB1H103K	CHIP C 0.010UF	K

E : Europe K : North America M : Other Areas

△ Indicates safety critical components.

## PARTS LIST

### ELECTRIC UNIT (X34-633x-xx)

Ref. No.	Add	New	Parts No.	Description	Destination	Ref. No.	Add	New	Parts No.	Description	Destination
C212			CK73GB1A474K	CHIP C 0.47UF K		J1	2D		E58-1043-05	RECTANGULAR RECEPTACLE	
C213,214			CK73GB1A105K	CHIP C 1.0UF K		J300	2C		E04-0332-05	RF COAXIAL CABLE RECEPTACLE	
C215			CK73GB1A474K	CHIP C 0.47UF K		J450	2C	*	E63-0969-05	PIN JACK	
C216,217			CK73GB1A105K	CHIP C 1.0UF K		J700			E58-1097-05	RECTANGULAR RECEPTACLE	E1M1
C218			CD04AS1H2R2M	ELECTRO 2.2UF 50WV		J750		*	E56-0883-05	CYLINDRICAL RECEPTACLE	K
C219-221			CK73GB1A105K	CHIP C 1.0UF K		J800	2D	*	E56-0884-05	CYLINDRICAL RECEPTACLE	
C305-307			CK73GB1H103K	CHIP C 0.010UF K		J801	2D		E56-0855-05	CYLINDRICAL RECEPTACLE	
C309			CK73GB1H103K	CHIP C 0.010UF K							
C350			CC73GCH1H180J	CHIP C 18PF J	E1	F750			F53-0306-05	FUSE (UL,CSA) (5A)	
C351			CK73FB1A225K	CHIP C 2.2UF K	E1						
C352			CC73GCH1H271J	CHIP C 270PF J	E1	△ L1_2			L33-2436-05	CHOKE COIL ASSY	
C353			CC73GCH1H180J	CHIP C 18PF J	E1	L350			L41-4795-33	SMALL FIXED INDUCTOR (4.7UH)	E1
C356			CK73GB1H103K	CHIP C 0.010UF K	E1	X350			L77-2002-05	CRYSTAL RESONATOR	E1
C357			CD04AS1V100M	ELECTRO 10UF 35WV	E1	X500		*	L78-1233-05	RESONATOR (12MHZ)	
C400			CK73GB1A105K	CHIP C 1.0UF K		X501			L77-2921-15	CRYSTAL RESONATOR (32.768KHZ)	
C403			CD04BA1C100M	ELECTRO 10UF 16WV		F	2C		N86-2606-48	BINDING HEAD TAPTITE SCREW	
C404			CK73GB1A105K	CHIP C 1.0UF K		CP500					
C405			CK73FB1C105K	CHIP C 1.0UF K		R3			RK74HB1J101J	CHIP-COM 100 J 1/16W	
C407-410			CK73GB1C224K	CHIP C 0.22UF K		R20			RK73EB2E103J	CHIP R 10K J 1/4W	
C450			CD04AS1V100M	ELECTRO 10UF 35WV		R21			RK73FB2B221J	CHIP R 220 J 1/8W	
C451,452			CK73GB1H102K	CHIP C 1000PF K		R22			RK73GH2A243D	CHIP R 24K D 1/10W	
C453,454			CD04AS1V100M	ELECTRO 10UF 35WV		R23			RK73GH2A432D	CHIP R 4.3K D 1/10W	
C455,456			CK73GB1H102K	CHIP C 1000PF K		R24			RK73EB2E2R2J	CHIP R 2.2 J 1/4W	
C457,458			CD04AS1V100M	ELECTRO 10UF 35WV		R30			RK73GB2A103J	CHIP R 10K J 1/10W	
C459,460			CK73GB1H102K	CHIP C 1000PF K		R32			RK73FB2B473J	CHIP R 47K J 1/8W	
C461			CD04AS1V100M	ELECTRO 10UF 35WV		R33			RK73GB2A223J	CHIP R 22K J 1/10W	
C480,481			CK73FB1E474K	CHIP C 0.47UF K		R40			RK73FB2B272J	CHIP R 2.7K J 1/8W	
C482			CD04AS0J470M	ELECTRO 47UF 6.3WV		R41			RK73FB2B102J	CHIP R 1.0K J 1/8W	
C483			CK73GB1H103K	CHIP C 0.010UF K		R42			RK73GB2A2R2J	CHIP R 2.2 J 1/10W	
C500			CK73GB1H103K	CHIP C 0.010UF K		R43			RK73GB2A562J	CHIP R 5.6K J 1/10W	
C502			CK73GB1H103K	CHIP C 0.010UF K		R44			RK73GB2A362J	CHIP R 3.6K J 1/10W	
C503			CK73GB1C104K	CHIP C 0.10UF K		R45			RK73GB2A432J	CHIP R 4.3K J 1/10W	
C504			CC73GCH1H270J	CHIP C 27PF J		R46			RK73GB2A222J	CHIP R 2.2K J 1/10W	
C505			CK73GB1C104K	CHIP C 0.10UF K		R47			RK73GB2A473J	CHIP R 47K J 1/10W	
C506			CC73GCH1H270J	CHIP C 27PF J		R100-102			RK73GB2A101J	CHIP R 100 J 1/10W	
C507-509			CK73GB1C104K	CHIP C 0.10UF K		R103			RK73EB2E102J	CHIP R 1.0K J 1/4W	
C510			CK73GB1H103K	CHIP C 0.010UF K		R104			RK73FB2B683J	CHIP R 68K J 1/8W	
C511			CK73GB1C104K	CHIP C 0.10UF K		R105			RK73GB2A473J	CHIP R 47K J 1/10W	
C512-516			CK73GB1H103K	CHIP C 0.010UF K		R106			RK73EB2E473J	CHIP R 47K J 1/4W	
C601			CK73GB1H103K	CHIP C 0.010UF K		R107			RK73FB2B203J	CHIP R 20K J 1/8W	
C602			CK73FB1E474K	CHIP C 0.47UF K		R108			RK73GB2A104J	CHIP R 100K J 1/10W	
C603			CD04AS0J470M	ELECTRO 47UF 6.3WV		R109,110			RK73GB2A183J	CHIP R 18K J 1/10W	
C604			CK73FB1E474K	CHIP C 0.47UF K		R120			RK73GB2A103J	CHIP R 10K J 1/10W	
C605			CK73GB1H103K	CHIP C 0.010UF K		R121,122			RK73FB2B472J	CHIP R 4.7K J 1/8W	
C700			CK73GB1H103K	CHIP C 0.010UF K	E1M1	R123			RK73PB2H561J	CHIP R 560 J 1/2W	
C701-704			CK73GB1A474K	CHIP C 0.47UF K	E1M1	R124,125			RK73GB2A223J	CHIP R 22K J 1/10W	
C752-755			CK73GB1A474K	CHIP C 0.47UF K	K	R130			RK73PB2H561J	CHIP R 560 J 1/2W	
C756			CK73GB1H103K	CHIP C 0.010UF K		R204,205			RK73GB2A683J	CHIP R 68K J 1/10W	
C757			CD04AS1C220M	ELECTRO 22UF 16WV		R300			RK73GB2A103J	CHIP R 10K J 1/10W	
C758			CK73GB1H104K	CHIP C 0.10UF K		R301			RK73GB2A223J	CHIP R 22K J 1/10W	
C759,760			CK73GB1H103K	CHIP C 0.010UF K		R302			RK73GB2A472J	CHIP R 4.7K J 1/10W	
C800,801			CK73GB1H104K	CHIP C 0.10UF K		R303			RK73FB2B821J	CHIP R 820 J 1/8W	
C802,803			CK73GB1H103K	CHIP C 0.010UF K		R304,305			RK73GB2A472J	CHIP R 4.7K J 1/10W	
C804			CK73GB1H102K	CHIP C 1000PF K		R355			RK73GB2A102J	CHIP R 1.0K J 1/10W	E1
C805			CK73GB1H104K	CHIP C 0.10UF K		R400			RK73GB2A752J	CHIP R 7.5K J 1/10W	

E : Europe K : North America M : Other Areas

△ Indicates safety critical components.

## PARTS LIST

### ELECTRIC UNIT (X34-633x-xx)

Ref. No.	Add	New	Parts No.	Description	Destination	Ref. No.	Add	New	Parts No.	Description	Destination
R402			RK73GB2A221J	CHIP R 220 J 1/10W		R536			RK73GB2A683J	CHIP R 68K J 1/10W	
R403			RK73GB2A333J	CHIP R 33K J 1/10W		R538			RK73GB2A101J	CHIP R 100 J 1/10W	
R404			RK73GB2A223J	CHIP R 22K J 1/10W		R540			RK73GB2A223J	CHIP R 22K J 1/10W	
R405			RK73GB2A000J	CHIP R 0.0 J 1/10W		R541,542			RK73GB2A101J	CHIP R 100 J 1/10W	
R409			RK73GB2A473J	CHIP R 47K J 1/10W		R543			RK73GB2A103J	CHIP R 10K J 1/10W	KM1
R410			RK73GB2A272J	CHIP R 2.7K J 1/10W		R543-549			RK73GB2A103J	CHIP R 10K J 1/10W	E1
R411			RK73GB2A100J	CHIP R 10 J 1/10W		R546			RK73GB2A103J	CHIP R 10K J 1/10W	KM1
R413			RK73GB2A000J	CHIP R 0.0 J 1/10W		R551			RK73GB2A223J	CHIP R 22K J 1/10W	
R414			RK73GB2A473J	CHIP R 47K J 1/10W		R554			RK73GB2A223J	CHIP R 22K J 1/10W	
R450			RK73FB2B101J	CHIP R 100 J 1/8W		R555,556			RK73GB2A332J	CHIP R 3.3K J 1/10W	
R451			RK73GB2A471J	CHIP R 470 J 1/10W		R557			RK73GB2A223J	CHIP R 22K J 1/10W	KM1
R452,453			RK73GB2A223J	CHIP R 22K J 1/10W		R557-562			RK73GB2A223J	CHIP R 22K J 1/10W	E1
R454			RK73FB2B101J	CHIP R 100 J 1/8W		R559			RK73GB2A223J	CHIP R 22K J 1/10W	KM1
R455			RK73GB2A471J	CHIP R 470 J 1/10W		R566			RK73GB2A473J	CHIP R 47K J 1/10W	M1
R456			RK73FB2B101J	CHIP R 100 J 1/8W		R566,567			RK73GB2A473J	CHIP R 47K J 1/10W	E1
R457			RK73GB2A471J	CHIP R 470 J 1/10W		R567			RK73GB2A223J	CHIP R 22K J 1/10W	M1
R458,459			RK73GB2A223J	CHIP R 22K J 1/10W		R567			RK73GB2A473J	CHIP R 47K J 1/10W	K
R460			RK73FB2B101J	CHIP R 100 J 1/8W		R568			RK73GB2A333J	CHIP R 33K J 1/10W	
R461			RK73GB2A471J	CHIP R 470 J 1/10W		R601			RK73EB2E101J	CHIP R 100 J 1/4W	
R462			RK73FB2B101J	CHIP R 100 J 1/8W		R602			RK73EB2E102J	CHIP R 1.0K J 1/4W	
R463			RK73GB2A471J	CHIP R 470 J 1/10W		R603			RK73EB2E100J	CHIP R 10 J 1/4W	
R464,465			RK73GB2A223J	CHIP R 22K J 1/10W		R604			RK73EB2E4R7J	CHIP R 4.7 J 1/4W	
R466			RK73FB2B101J	CHIP R 100 J 1/8W		R605			RK73GB2A473J	CHIP R 47K J 1/10W	
R467			RK73GB2A471J	CHIP R 470 J 1/10W		R606			RK73EB2E100J	CHIP R 10 J 1/4W	
R480			RK73EB2E100J	CHIP R 10 J 1/4W		R607			RK73EB2E101J	CHIP R 100 J 1/4W	
R481			RK73GB2A123J	CHIP R 12K J 1/10W		R608-610			RK73EB2E102J	CHIP R 1.0K J 1/4W	
R482			RK73EB2E100J	CHIP R 10 J 1/4W		R611,612			RK73EB2E101J	CHIP R 100 J 1/4W	
R483			RK73GB2A123J	CHIP R 12K J 1/10W		R613-617			RK73GB2A473J	CHIP R 47K J 1/10W	
R484			RK73EB2E4R7J	CHIP R 4.7 J 1/4W		R700,701			RK73EB2E432J	CHIP R 4.3K J 1/4W	E1M1
R485			RK73GB2A102J	CHIP R 1.0K J 1/10W		R702			RK73EB2E101J	CHIP R 100 J 1/4W	E1M1
R500			RK73GB2A333J	CHIP R 33K J 1/10W		R704			RK73EB2E432J	CHIP R 4.3K J 1/4W	E1M1
R504,505			RK73GB2A332J	CHIP R 3.3K J 1/10W		R705			RK73EB2E103J	CHIP R 10K J 1/4W	E1M1
R506			RK73GB2A101J	CHIP R 100 J 1/10W	E1M1	R707			RK73EB2E100J	CHIP R 10 J 1/4W	E1M1
R508,509			RK73GB2A101J	CHIP R 100 J 1/10W		R708			RK73GB2A683J	CHIP R 68K J 1/10W	E1M1
R510			RK73GB2A102J	CHIP R 1.0K J 1/10W		R710			RK73EB2E4R7J	CHIP R 4.7 J 1/4W	E1M1
R511			RK73GB2A683J	CHIP R 68K J 1/10W		R713			RK73EB2E100J	CHIP R 10 J 1/4W	E1M1
R512			RK73GB2A101J	CHIP R 100 J 1/10W		R753			RK73EB2E432J	CHIP R 4.3K J 1/4W	K
R513			RK73GB2A102J	CHIP R 1.0K J 1/10W		R754			RK73EB2E101J	CHIP R 100 J 1/4W	K
R514			RK73GB2A472J	CHIP R 4.7K J 1/10W		R755			RK73EB2E432J	CHIP R 4.3K J 1/4W	K
R515			RK73GB2A101J	CHIP R 100 J 1/10W		R756			RK73GB2A472J	CHIP R 4.7K J 1/10W	
R516			RK73GB2A222J	CHIP R 2.2K J 1/10W		R757			RK73GB2A103J	CHIP R 10K J 1/10W	
R517			RK73GB2A101J	CHIP R 100 J 1/10W	K	R758			RK73GB2A100J	CHIP R 10 J 1/10W	
R517,518			RK73GB2A101J	CHIP R 100 J 1/10W	E1M1	R759			RK73EB2E100J	CHIP R 10 J 1/4W	K
R519			RK73GB2A683J	CHIP R 68K J 1/10W		R760			RK73GB2A100J	CHIP R 10 J 1/10W	
R520			RK73GB2A101J	CHIP R 100 J 1/10W	E1M1	R761			RK73EB2E4R7J	CHIP R 4.7 J 1/4W	K
R521			RK73GB2A101J	CHIP R 100 J 1/10W	K	R762,763			RK73GB2A100J	CHIP R 10 J 1/10W	
R522			RK73GB2A333J	CHIP R 33K J 1/10W		R764			RK73EB2E100J	CHIP R 10 J 1/4W	K
R523			RK73GB2A101J	CHIP R 100 J 1/10W	K	R765			RK73GB2A473J	CHIP R 47K J 1/10W	
R524			RK73GB2A683J	CHIP R 68K J 1/10W		R766			RK73GB2A104J	CHIP R 100K J 1/10W	
R525			RK73GB2A101J	CHIP R 100 J 1/10W	K	R767			RK73GB2A222J	CHIP R 2.2K J 1/10W	
R526			RK73GB2A334J	CHIP R 330K J 1/10W		R768			RK73GB2A101J	CHIP R 100 J 1/10W	
R529			RK73GB2A103J	CHIP R 10K J 1/10W		R769			RK73GB2A102J	CHIP R 1.0K J 1/10W	
R530			RK73GB2A223J	CHIP R 22K J 1/10W		R770			RK73GB2A473J	CHIP R 47K J 1/10W	
R531-533			RK73GB2A101J	CHIP R 100 J 1/10W		R804			RK73GB2A333J	CHIP R 33K J 1/10W	
R534,535			RK73GB2A332J	CHIP R 3.3K J 1/10W		R805			RK73GB2A102J	CHIP R 1.0K J 1/10W	

E : Europe K : North America M : Other Areas

△ Indicates safety critical components.

## PARTS LIST

### ELECTRIC UNIT (X34-633x-xx)

Ref. No.	Add	New	Parts No.	Description	Destination	Ref. No.	Add	New	Parts No.	Description	Destination
R806			RK73EB2E100J	CHIP R 10 J 1/4W		IC750			74AHCT08PW	MOS-IC	
R807			RK73EB2E101J	CHIP R 100 J 1/4W		IC751			NJM2794RB2ZB	ANALOGUE IC	
R808			RK73GB2A102J	CHIP R 1.0K J 1/10W		IC800		*	ZT483LEEN	ANALOGUE IC	
R809			RK73EB2E101J	CHIP R 100 J 1/4W		IC801			74LVC08APW	MOS-IC	
R810,811			RK73GB2A473J	CHIP R 47K J 1/10W		IC802			TPD1018F-F	ANALOGUE IC	
R812,813			RK73GB2A222J	CHIP R 2.2K J 1/10W		Q20			2SB1565	TRANSISTOR	
R814,815			RK73GB2A104J	CHIP R 100K J 1/10W		Q21			2SC4081	TRANSISTOR	
R816,817			RK73EB2E101J	CHIP R 100 J 1/4W		Q22			DTA124EUA	DIGITAL TRANSISTOR	
R818			RK73GB2A222J	CHIP R 2.2K J 1/10W		Q30			2SB1565	TRANSISTOR	
D1			RM4ZLF-J1NF	DIODE		Q31			2SC4081	TRANSISTOR	
D30			1SR154-400	DIODE		Q32			DTC114YUA	DIGITAL TRANSISTOR	
D31			UDZW5.6(B)	ZENER DIODE		Q33			2SA1577	TRANSISTOR	
D40			UDZW5.6(B)	ZENER DIODE		Q40			DTC114YUA	DIGITAL TRANSISTOR	
D41			1SR154-400	DIODE		Q41			DTA124EUA	DIGITAL TRANSISTOR	
D42			UDZW5.6(B)	ZENER DIODE		Q42			2SC5053	TRANSISTOR	
D100,101			UDZW6.8(B)	ZENER DIODE		Q43			2SC4081	TRANSISTOR	
D102			UDZW6.2(B)	ZENER DIODE		Q100-102			2SC4081	TRANSISTOR	
D120,121			1SR154-400	DIODE		Q120			2SB1188(F)	TRANSISTOR	
D122			DAP202U	DIODE		Q121			2SA1576A	TRANSISTOR	
D202,203			UDZW5.6(B)	ZENER DIODE		Q122			DTA114EUA	DIGITAL TRANSISTOR	
D204-206			DAP202U	DIODE		Q123			DTC114YUA	DIGITAL TRANSISTOR	
D400,401			DAP202U	DIODE		Q130			DTC144EUA	DIGITAL TRANSISTOR	
D451			DAP202U	DIODE		Q300			2SA1577	TRANSISTOR	
D453			DAP202U	DIODE		Q301			2SK3018	FET	
D480-482			UDZW6.8(B)	ZENER DIODE		Q302			DTC114YUA	DIGITAL TRANSISTOR	
D600-602			UDZW6.8(B)	ZENER DIODE		Q303			2SK3018	FET	
D603-610			UDZW6.2(B)	ZENER DIODE		Q400			DTA124EUA	DIGITAL TRANSISTOR	
D700-703			UDZW6.2(B)	ZENER DIODE	E1M1	Q401			DTC114YUA	DIGITAL TRANSISTOR	
D704			1SS355	DIODE	E1M1	Q450			DTC143TUA	DIGITAL TRANSISTOR	
D705			UDZW6.8(B)	ZENER DIODE	E1M1	Q451			DTA114YUA	DIGITAL TRANSISTOR	
D706,707			UDZW6.2(B)	ZENER DIODE	E1M1	Q452-455			DTC143TUA	DIGITAL TRANSISTOR	
D708			UDZW6.8(B)	ZENER DIODE	E1M1	Q456			DTA114YUA	DIGITAL TRANSISTOR	
D709			CVL10C270M300	VARISTOR	E1M1	Q457			DTC143TUA	DIGITAL TRANSISTOR	
D750-752			UDZW6.2(B)	ZENER DIODE	K	Q500			DTC114YUA	DIGITAL TRANSISTOR	
D753			1SS355	DIODE		Q501			DTA114YUA	DIGITAL TRANSISTOR	
D754			UDZW6.8(B)	ZENER DIODE	K	Q502,503			DTC114YUA	DIGITAL TRANSISTOR	
D755,756			UDZW6.2(B)	ZENER DIODE	K	Q504			DTA114EUA	DIGITAL TRANSISTOR	
D757			UDZW6.8(B)	ZENER DIODE	K	Q600			DTA114YUA	DIGITAL TRANSISTOR	
D758			CVL10C270M300	VARISTOR	K	Q601			DTC114YUA	DIGITAL TRANSISTOR	
D759			DAP202U	DIODE		Q700			DTA114YUA	DIGITAL TRANSISTOR	E1M1
D760			UDZW4.7(B)	ZENER DIODE		Q752,753			DTC124EUA	DIGITAL TRANSISTOR	
D800			CVL10C270M300	VARISTOR		Q754			DTC114YUA	DIGITAL TRANSISTOR	
D803-805			UDZW6.2(B)	ZENER DIODE		Q755			TPC8110-F	FET	
IC20			M5237ML-CF0J	ANALOGUE IC		Q801			DTC143ZUA	DIGITAL TRANSISTOR	
IC30			R1114N331B-TR	ANALOGUE IC (3.3V LF)		Q803			2SC4081	TRANSISTOR	
IC200			E-TDA7415CB	ANALOGUE IC		Q804			DTC114YUA	DIGITAL TRANSISTOR	
IC350			E-TDA7478AD	ANALOGUE IC	E1	Q805			DTA144EUA	DIGITAL TRANSISTOR	
IC400			E-TDA7851A	ANALOGUE IC		TH400			PRF18BE471QS2	POSITIVE RESISTOR	
IC500		*	W05-1518-00	MICROCONTROLLER IC		A300	2D		X86-4230-11	FRONT-END UNIT	KM1
IC501			XC6120N292N1	MOS-IC		A300	2D		X86-4232-70	FRONT-END UNIT	E1
IC502		*	74HCT2G02DP	MOS-IC		<b>AUDIO ASSY (X90-460x-xx)</b>					
IC503			M24C16-RDW6P	ROM IC		301	1D	*	A01-4453-01	METALLIC CABINET	K
IC600			74AHCT08PW	MOS-IC		301	1D	*	A01-4455-01	METALLIC CABINET	E1M1
IC601			74LVC08APW	MOS-IC		302	3D	*	A10-5504-01	CHASSIS	

E : Europe K : North America M : Other Areas

△ Indicates safety critical components.

